



生輝
Shenghui

SHENXIAN SHENGHUI STAINLESS PRODUCTS CO.,LTD

莘县生辉不锈钢制品有限公司



ABOUT

Shenxian Shenghui Stainless Steel Products Co.,Ltd. is a professional stainless steel products manufacturer and exporter, located in Shenxian County, Liaocheng City, Shandong Province , near to Qingdao Port.and Jinan Airport.

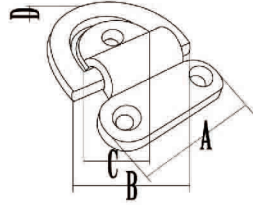
We start manufacturing casting part from 2006, with more than 10 years manufacturing experience. With the increasing demand of stainless steel marine part worldwide, we strive to meet the needs of customers, put into processing work-shops and equipment, Quickly provide customers with personal needs programs.It is a manufacturer integrating production and processing. It is the leading manufacturer in China's stainless steel industry.

We pass ISO9001:2008 quality management system certification, anchor CE certificate, SGS certification. Our factory manufacture the castings and polishing surface treatment, under the support of well designed equipment and high quality precision casting machines.Mainly produce various marine hardware, anchors, castings and stainless steel products, more than 2000 products.

We have established longterm business relationship with clients from North America ,Australia ,Europe and South Korea and Japan Etc .

Welcome to visit our factory.

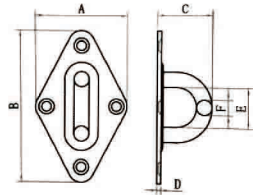
索具 RIGGING



D型拉环

Folding Pad Eye With Washer

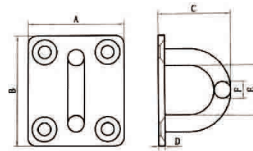
生辉编号/ITEM NO.	名称/PRODUCT NAME	A mm	B mm	C mm	D mm
SH040-001-08	D型拉环	57	62.5	39.5	8
SH040-001-09	D型拉环	63	69	43.5	9



菱形门扣

Diamond Pad Eye

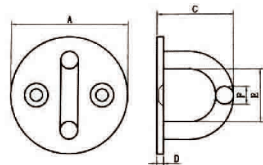
生辉编号/ITEM NO.	名称/PRODUCT NAME	A mm	B mm	C mm	D mm	E mm	F mm
SH040-301-05	5MM菱形门扣	36	60	21	2.5	14	5
SH040-301-06	6MM菱形门扣	40	65	26	2.5	16	6
SH040-301-08	8MM菱形门扣	50	80	32	3	20	8
SH040-301-10	10MM菱形门扣	60	100	38	3	26	10



方形门扣

Square Pad Eye

生辉编号/ITEM NO.	名称/PRODUCT NAME	A mm	B mm	C mm	D mm	E mm	F mm
SH040-302-05	5MM方形门扣	30	35	21	2.5	14	5
SH040-302-06	6MM方形门扣	35	40	26	2.5	16	6
SH040-302-08	8MM方形门扣	40	50	32	3	20	8



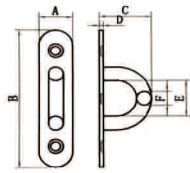
圆形门扣

Round Pad Eye

生辉编号/ITEM NO.	名称/PRODUCT NAME	A mm	B mm	C mm	D mm	E mm
SH040-303-05	5MM圆形门扣	33	21	2.5	14	5
SH040-303-06	6MM圆形门扣	40	26	2.5	16	6
SH040-303-08	8MM圆形门扣	50	32	3	20	8

椭圆形门扣

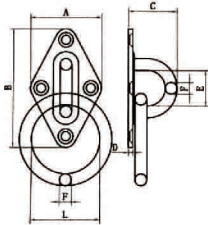
Rectangle Pad Eye



生辉编号/ITEM NO.	名称/PRODUCT NAME	A mm	B mm	C mm	D mm	E mm	F mm
SH040-304-05	5MM椭圆形门扣	15	45	21	2.5	14	5
SH040-304-06	6MM椭圆形门扣	20	60	26	2.5	16	6
SH040-304-08	8MM椭圆形门扣	25	80	32	3	20	8

带圆环菱形门扣

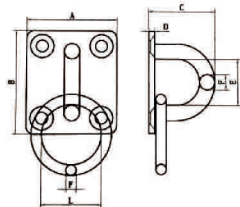
Diamond Pad Eye with Ring



生辉编号/ITEM NO.	名称/PRODUCT NAME	A mm	B mm	C mm	D mm	E mm	F mm	G mm
SH040-305-05	5MM带圆环菱形门扣	36	60	21	2.5	14	5	30
SH040-305-06	6MM带圆环菱形门扣	40	65	26	2.5	16	6	35
SH040-305-08	8MM带圆环菱形门扣	50	80	32	3	20	8	45
SH040-305-10	10MM带圆环菱形门扣	60	100	38	3	26	10	50

带圆环方形门扣

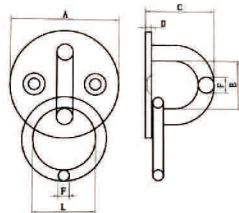
Square Pad Eye with Ring



生辉编号/ITEM NO.	名称/PRODUCT NAME	A mm	B mm	C mm	D mm	E mm	F mm	G mm
SH040-306-05	5MM带圆环方形门扣	30	35	21	2.5	14	5	30
SH040-306-06	6MM带圆环方形门扣	35	40	26	2.5	16	6	35
SH040-306-08	8MM带圆环方形门扣	40	50	32	3	20	8	45

带圆环圆形门扣

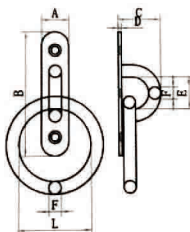
Round Pad Eye with Ring



生辉编号/ITEM NO.	名称/PRODUCT NAME	A mm	B mm	C mm	D mm	E mm	F mm
SH040-307-05	5MM带圆环圆形门扣	33	21	2.5	14	5	30
SH040-307-06	6MM带圆环圆形门扣	40	26	2.5	16	6	35
SH040-307-08	8MM带圆环圆形门扣	50	32	3	20	8	45

带圆环椭圆形门扣

Rectangle Pad Eye with Ring



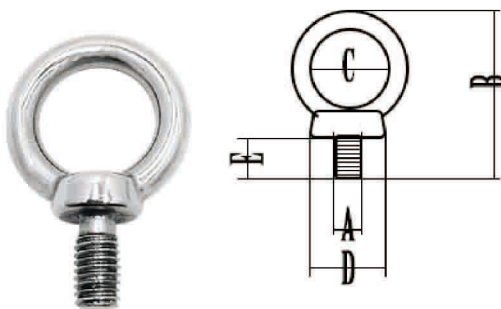
生辉编号/ITEM NO.	名称/PRODUCT NAME	A mm	B mm	C mm	D mm	E mm	F mm	G mm
SH040-308-05	5MM带圆环椭圆形门扣	15	45	21	2.5	14	5	30
SH040-308-06	6MM带圆环椭圆形门扣	20	60	26	2.5	16	6	35
SH040-308-08	8MM带圆环椭圆形门扣	25	80	32	3	20	8	45

吊环螺母
JIS Eye Nut



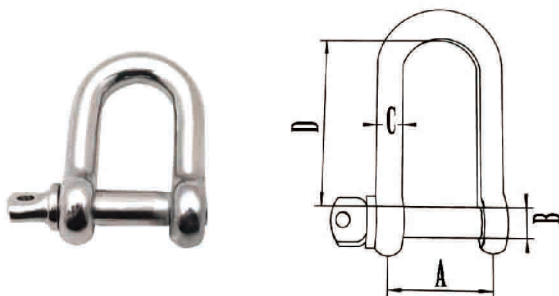
生輝编号/ITEM NO.	名称/PRODUCT NAME	A mm	B mm	C mm	D mm
SH041-001-06A	吊环螺母	6	30	16	13
SH041-001-08A	吊环螺母	8	39.3	20	16
SH041-001-10A	吊环螺母	10	48.5	25	20
SH041-001-12A	吊环螺母	12	61	30	25
SH041-001-16A	吊环螺母	16	72	35	30
SH041-001-20A	吊环螺母	20	86	40	35
SH041-001-24A	吊环螺母	24	111	50	45

吊环螺栓
JIS Eye Bolt



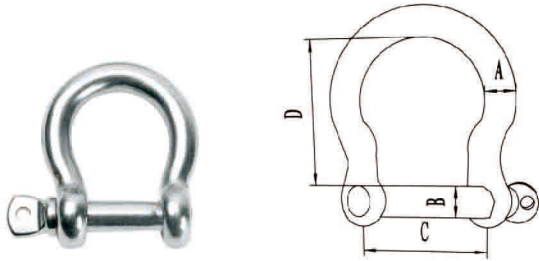
生輝编号/ITEM NO.	名称/PRODUCT NAME	A mm	B mm	C mm	D mm	E mm
SH041-002-06B	吊环螺母	6	30	16	13	13
SH041-002-08B	吊环螺母	8	39.3	20	16	13
SH041-002-10B	吊环螺母	10	48.5	25	20	17
SH041-002-12B	吊环螺母	12	61	30	25	21
SH041-002-16B	吊环螺母	16	72	35	30	27
SH041-002-20B	吊环螺母	20	86	40	35	30
SH041-002-24B	吊环螺母	24	111	50	45	36

D型卸扣
Dee Shackle



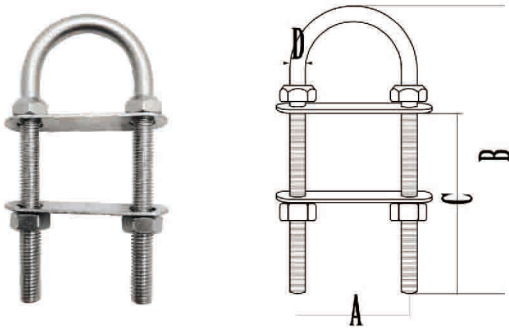
生輝编号/ITEM NO.	名称/PRODUCT NAME	A mm	B mm	C mm	D mm
SH042-001-04	4MM U型卸扣	4	4	8	16
SH042-001-05	5MM U型卸扣	5	5	10	19
SH042-001-06	6MM U型卸扣	6	6	13	25
SH042-001-08	8MM U型卸扣	8	8	16	32
SH042-001-10	10MM U型卸扣	10	10	19	38
SH042-001-12	12MM U型卸扣	12	12	25	51
SH042-001-16	16MM U型卸扣	16	16	32	64
SH042-001-20	20MM U型卸扣	20	20	38	76
SH042-001-22	22MM U型卸扣	22	22	44	89
SH042-001-25	25MM U型卸扣	25	25	51	100
SH042-001-28	28MM U型卸扣	28	28	57	115
SH042-001-32	32MM U型卸扣	32	32	64	127

弓型卸扣 Bow Shackle



生辉编号/ITEM NO.	名称/PRODUCT NAME	A mm	B mm	C mm	D mm
SH042-002-04	4MM 弓型卸扣	4	4	8	14
SH042-002-05	5MM 弓型卸扣	5	5	10	18
SH042-002-06	6MM 弓型卸扣	6	6	13	25
SH042-002-08	8MM 弓型卸扣	8	8	16	32
SH042-002-10	10MM 弓型卸扣	10	10	19	38
SH042-002-12	12MM 弓型卸扣	12	12	25	51
SH042-002-16	16MM 弓型卸扣	16	16	32	64
SH042-002-20	20MM 弓型卸扣	20	20	38	76
SH042-002-22	22MM 弓型卸扣	22	22	44	89
SH042-002-25	25MM 弓型卸扣	25	25	51	100
SH042-002-28	28MM 弓型卸扣	28	28	57	108
SH042-002-32	32MM 弓型卸扣	32	32	65	114

U型环 U-Bolt



生辉编号/ITEM NO.	名称/PRODUCT NAME	A mm	B mm	C mm	D mm	E mm
SH043-001-5090	50*90 U型环	50	90	47	9	M10
SH043-001-50128	50*128 U型环	50	128	79	9	M10
SH043-001-50102	50*102 U型环	50	102	50	11	M12
SH043-001-50139	50*139 U型环	50	139	80	11	M12
SH043-001-6090	60*90 U型环	60	90	47	9	M10
SH043-001-60128	60*128 U型环	60	128	79	9	M10
SH043-001-60102	60*102 U型环	60	102	50	11	M12
SH043-001-60139	60*139 U型环	60	139	80	11	M12