



LINKWELL[®]
ELECTRIC



COOLING FAN
SERIES **AC/EC/DC**

LKA SERIES AXIAL FLOW FAN

Low noise static pressure, efficient energy-saving, long service life, customizable all metal, high temperature resistance, high speed (EC), high IP rating, suitable for various industrial applications.



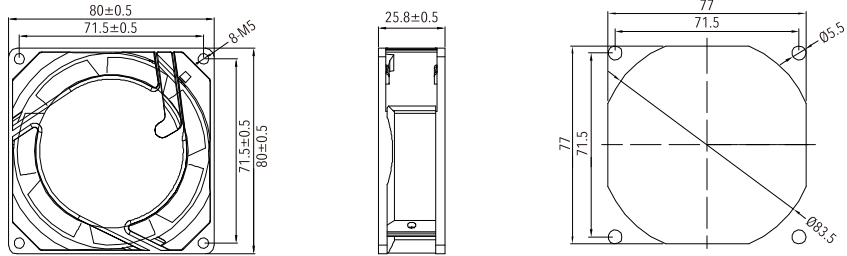
LKA08025 80x80x25mm



Motor structure: Shaded pole motor
Dielectric strength: AC 1500V, at 0.5mA, 50/60Hz
Insulation level: Class A

Material: Fan blade: PBT, 7 impeller
Bearings: Ball bearings
Motor life: 50000 hours

DIMENSION (mm)



Model	Bearing type	Voltage (V)	Freq (Hz)	Current (A)	Power (W)	Speed (RPM)	Air Volume (m³/h)	Noise (dB)
LKA08025-115	Ball	100/125	50/60	0.12	13	2300/2700	32/39	26
LKA08025-230	Ball	200/240	50/60	0.07	13	2300/2700	32/39	26

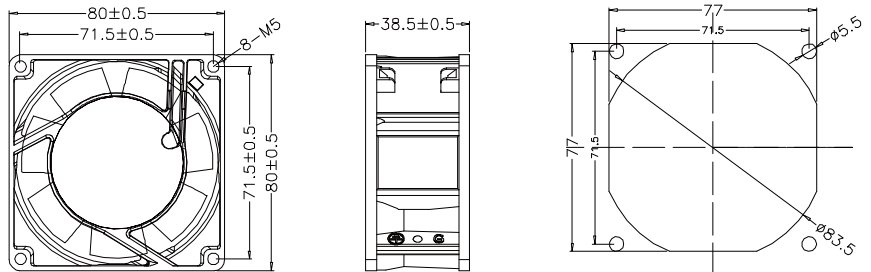
LKA08038 80x80x38mm



Motor structure: Shaded pole motor
Dielectric strength: AC 1500V, at 0.5mA, 50/60Hz
Insulation level: Class F

Material: Fan blade: PBT, 7 impeller
Bearings: Sleeve or ball bearings
Motor life: 30,000h (oil) / 50,000h (ball)

DIMENSION (mm)



Model	Bearing type	Voltage (V)	Freq (Hz)	Current (A)	Power (W)	Speed (RPM)	Air Volume (m³/h)	Noise (dB)
LKA08038.115	Ball	100/125	50/60	0.18	12/10	2300/2500	44/54	32
LKA08038.230	Ball	200/240	50/60	0.10	12/10	2300/2500	44/54	32

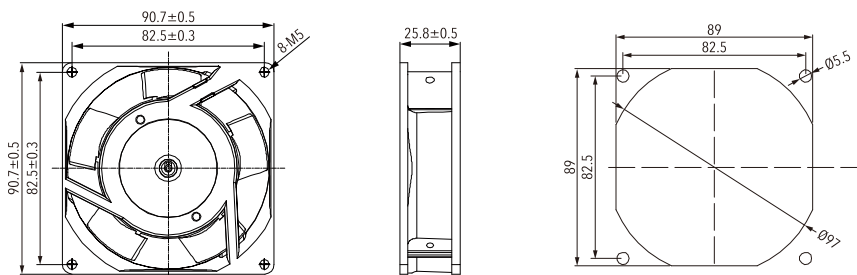
92x92x25mm **LKA09225-5**

Motor structure: Shaded pole motor
Dielectric strength: AC 1500V, at 0.5mA, 50/60Hz
Insulation level: Class A

Material: Fan blade: PBT, 5 impeller
Bearings: Ball bearings
Motor life: 50000 hours



DIMENSION (mm)



Model	Bearing type	Voltage (V)	Freq (Hz)	Current (A)	Power (W)	Speed (RPM)	Air Volume (m³/h)	Noise (dB)
LKA09225.115	Ball	100/125	50/60	0.12	13	2350/2850	51/63	32
LKA09225.230	Ball	200/240	50/60	0.07	13	2350/2850	51/63	32

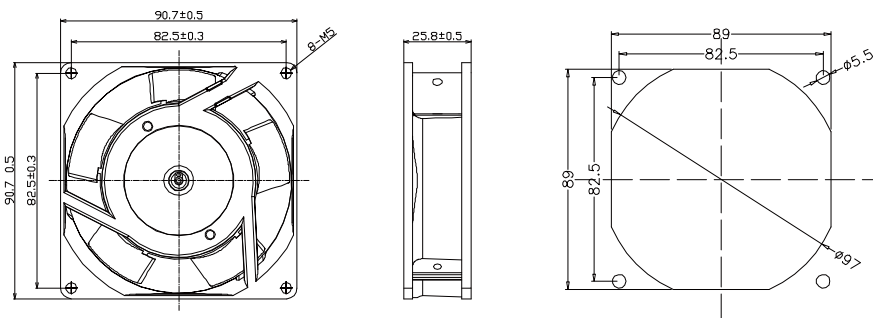
92x92x25mm **LKA09225-7**

Motor structure: Shaded pole motor
Dielectric strength: AC 1500V, at 0.5mA, 50/60Hz
Insulation level: Class F

Material: Fan blade: PBT, 7 impeller
Bearings: Sleeve or ball bearings
Motor life: 30,000h (oil) / 50,000h (ball)



DIMENSION (mm)



Model	Bearing type	Voltage (V)	Freq (Hz)	Current (A)	Power (W)	Speed (RPM)	Air Volume (m³/h)	Noise (dB)
LKA09225.115	Ball	100/125	50/60	0.14	13/12	2300/2500	51/63	32
LKA09225.230	Ball	200/240	50/60	0.07	13/12	2300/2500	51/63	32

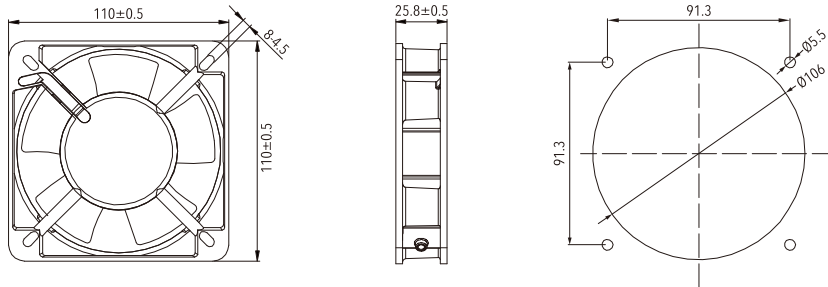
LKA11025 110x110x25mm



Motor structure: Shaded pole motor
Dielectric strength: AC 1500V, at 0.5mA, 50/60Hz
Insulation level: Class A/F

Material: Fan blade: PBT, 5 impeller
Bearings: Ball bearings
Motor life: 30,000h (oil) / 50,000h (ball)

DIMENSION (mm)



Model	Bearing type	Voltage (V)	Freq (Hz)	Current (A)	Power (W)	Speed (RPM)	Air Volume (m³/h)	Noise (dB)
LKA11025.115	Ball	100/125	50/60	0.17	14/13	2000/2200	102/120	36
LKA11025.230	Ball	200/240	50/60	0.07	14/13	2000/2200	102/120	36

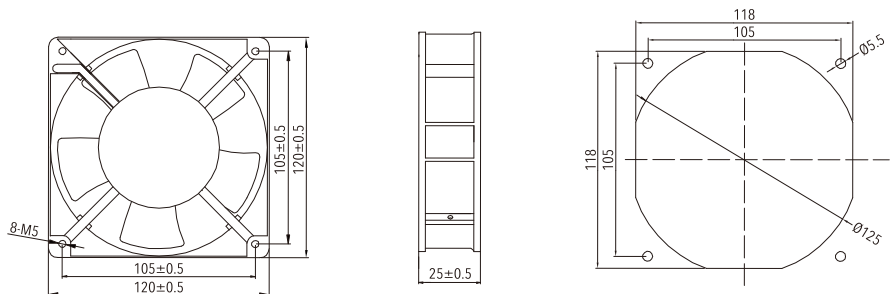
LKA12025 120x120x25mm



Motor structure: Shaded pole motor
Dielectric strength: AC 1500V, at 0.5mA, 50/60Hz
Insulation level: Class A

Material: Fan blade: PBT, 5 impeller
Bearings: Ball bearings
Motor life: 50000 hours

DIMENSION (mm)



Model	Bearing type	Voltage (V)	Freq (Hz)	Current (A)	Power (W)	Speed (RPM)	Air Volume (m³/h)	Noise (dB)
LKA12025.115	Ball	100/125	50/60	0.17	14/13	2000/2200	115/129	39
LKA12025.230	Ball	200/240	50/60	0.07	14/13	2000/2200	115/129	39

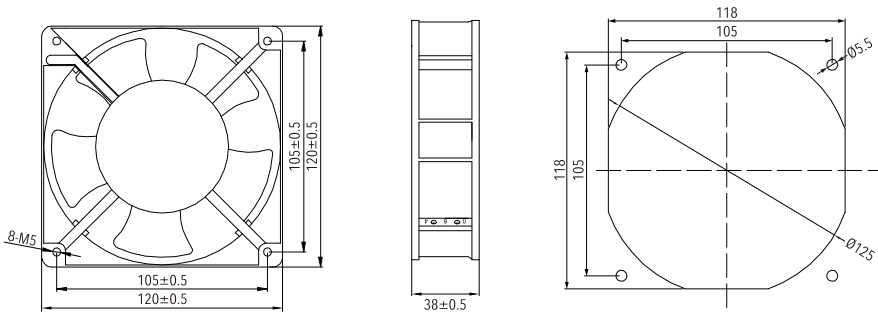
120x120x38mm **LKA12038-5**

Motor structure: Shaded pole motor
Dielectric strength: AC 1500V, at 0.5mA, 50/60Hz
Insulation level: Class A

Material: Fan blade: PBT, 5 impeller
Bearings: Ball bearings
Motor life: 50000 hours



DIMENSION (mm)



Model	Bearing type	Voltage (V)	Freq (Hz)	Current (A)	Power (W)	Speed (RPM)	Air Volume (m ³ /h)	Noise (dB)
LKA12038.115	Ball	100/125	50/60	0.24	19/18	2600/2800	145/162	40
LKA12038.230	Ball	200/240	50/60	0.12	19/18	2600/2800	145/162	40

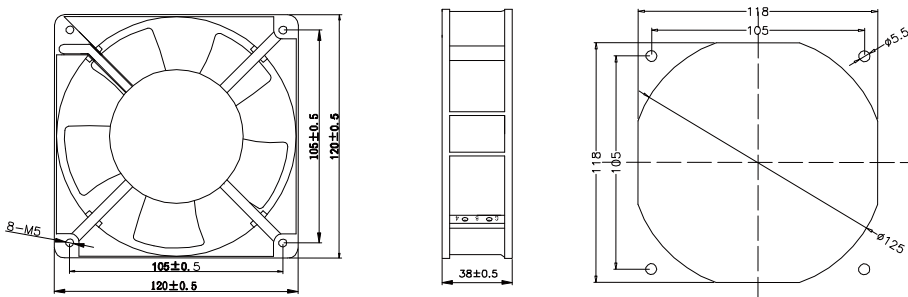
120x120x38mm **LKA12038-7**

Motor structure: Shaded pole motor
Dielectric strength: AC 1500V, at 0.5mA, 50/60Hz
Insulation level: Class F

Material: Fan blade: PBT, 7 impeller
Bearings: Sleeve or ball bearings
Motor life: 30,000h (oil) / 50,000h (ball)



DIMENSION (mm)



Model	Bearing type	Voltage (V)	Freq (Hz)	Current (A)	Power (W)	Speed (RPM)	Air Volume (m ³ /h)	Noise (dB)
LKA12038.115	Ball	100/125	50/60	0.26	19/18	2600/2800	145/162	42
LKA12038.230	Ball	200/240	50/60	0.13	19/18	2600/2800	145/162	42

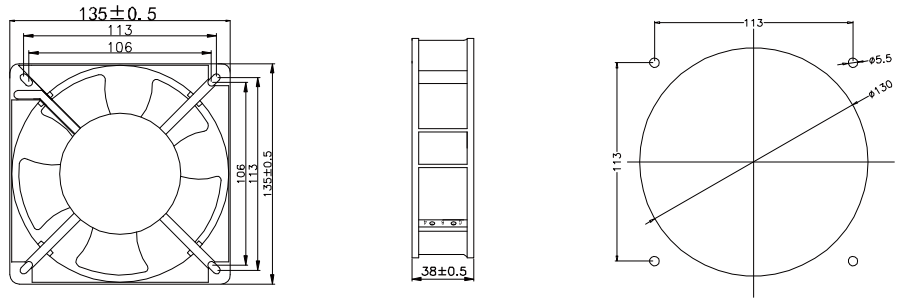
LKA13538 135x135x38mm



Motor structure: Shaded pole motor
Dielectric strength: AC 1500V, at 0.5mA, 50/60Hz
Insulation level: Class F

Material: Fan blade: PBT, 5 impeller
Bearings: Sleeve or ball bearings
Motor life: 30,000h (oil) / 50,000h (ball)

DIMENSION (mm)



Model	Bearing type	Voltage (V)	Freq (Hz)	Current (A)	Power (W)	Speed (RPM)	Air Volume (m ³ /h)	Noise (dB)
LKA13538.115	Ball	100/125	50/60	0.28	23/20	2600/3035	192/233	42
LKA13538.230	Ball	200/240	50/60	0.16	23/20	2600/3035	192/233	42

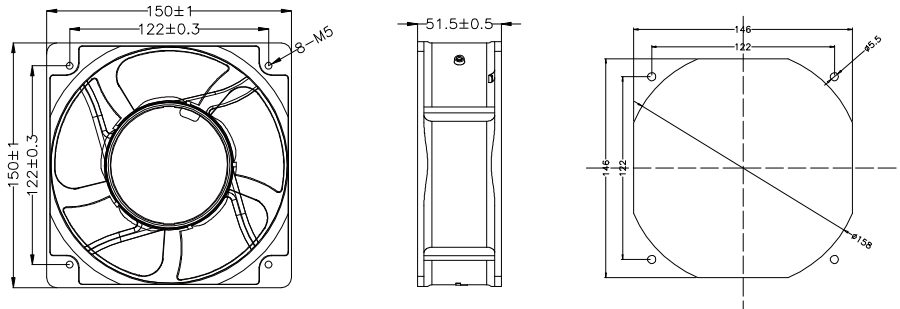
LKA15051-5 150x150x51mm



Motor structure: Shaded pole motor
Dielectric strength: AC 1500V, at 0.5mA, 50/60Hz
Insulation level: Class A

Material: Fan blade: PBT, 5 impeller
Bearings: Ball bearings
Motor life: 50000 hours

DIMENSION (mm)



Model	Bearing type	Voltage (V)	Freq (Hz)	Current (A)	Power (W)	Speed (RPM)	Air Volume (m ³ /h)	Noise (dB)
LKA15051.115	Ball	100/125	50/60	0.50	32/30	2600/2900	272/289	55
LKA15051.230	Ball	200/240	50/60	0.24	32/30	2600/2900	272/289	55

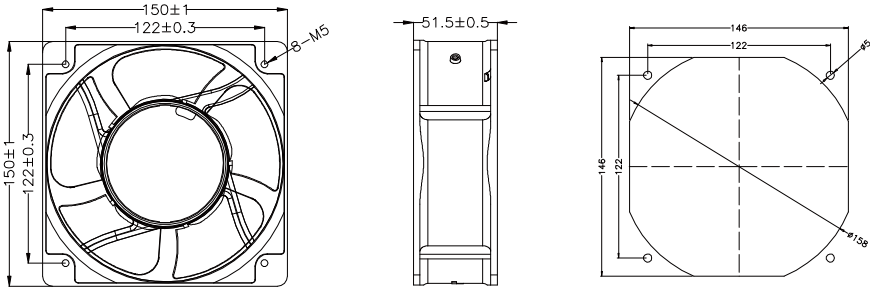
150x150x51mm **LKA15051-7**

Motor structure: Shaded pole motor
Dielectric strength: AC 1500V, at 0.5mA, 50/60Hz
Insulation level: Class F

Material: Fan blade: PBT, 7 impeller
Bearings: Sleeve or ball bearings
Motor life: 30,000h (oil) / 50,000h (ball)



DIMENSION (mm)



Model	Bearing type	Voltage (V)	Freq (Hz)	Current (A)	Power (W)	Speed (RPM)	Air Volume (m ³ /h)	Noise (dB)
LKA15051.115	Ball	100/125	50/60	0.45	23/20	2600/2900	272/289	56
LKA15051.230	Ball	200/240	50/60	0.25	23/20	2600/2900	272/289	56

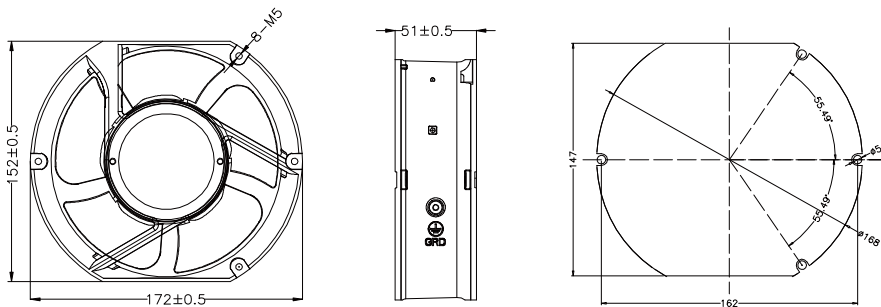
172x150x51mm **LKA17251-5**

Motor structure: Shaded pole motor
Dielectric strength: AC 1500V, at 0.5mA, 50/60Hz
Insulation level: Class A

Material: Fan blade: PBT, 5 impeller
Bearings: Ball bearings
Motor life: 50000 hours



DIMENSION (mm)



Model	Bearing type	Voltage (V)	Freq (Hz)	Current (A)	Power (W)	Speed (RPM)	Air Volume (m ³ /h)	Noise (dB)
LKA17051.115	Ball	100/125	50/60	0.50	32/30	2600/2900	272/289	55
LKA17051.230	Ball	200/240	50/60	0.24	32/30	2600/2900	272/289	55

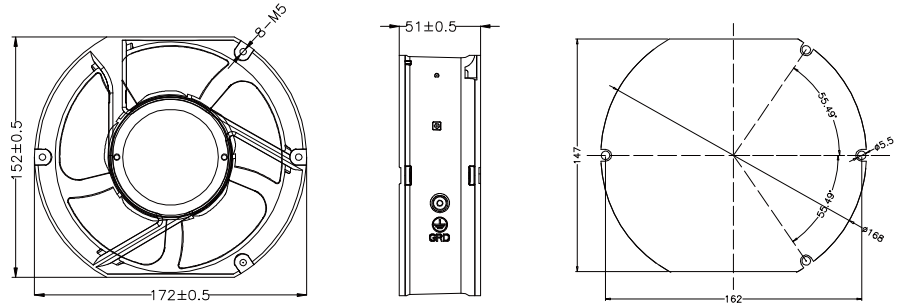
LKA17251-7 172x150x51mm



Motor structure: Shaded pole motor
Dielectric strength: AC 1500V, at 0.5mA, 50/60Hz
Insulation level: Class F

Material: Fan blade: PBT, 7 impeller
Bearings: Sleeve or ball bearings
Motor life: 30,000h (oil) / 50,000h (ball)

DIMENSION (mm)



Model	Bearing type	Voltage (V)	Freq (Hz)	Current (A)	Power (W)	Speed (RPM)	Air Volume (m ³ /h)	Noise (dB)
LKA17251.115	Ball	100/125	50/60	0.50	36/34	2500/2600	323/356	56
LKA17251.230	Ball	200/240	50/60	0.25	36/34	2500/2600	323/356	56

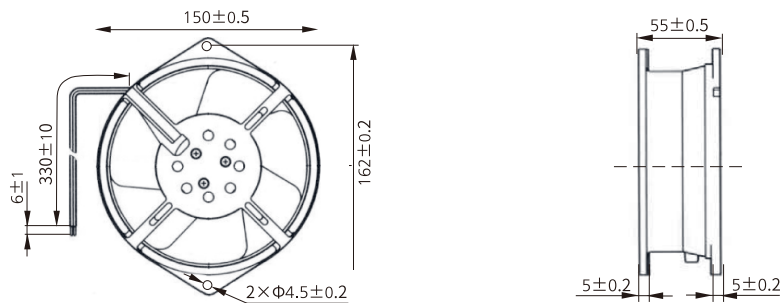
LKA17255 172x162x55mm



Motor structure: Shaded pole motor
Dielectric strength: AC 1500V, at 0.5mA, 50/60Hz
Insulation level: Class F

Material: Fan blade: Cold rolled plate, 7 impeller
Bearings: Ball bearings
Motor life: 50000 hours

DIMENSION (mm)



Model	Bearing type	Voltage (V)	Freq (Hz)	Current (A)	Power (W)	Speed (RPM)	Air Volume (m ³ /h)	Noise (dB)
LKA17255.115	Ball	100/125	50/60	0.50	40/35	2800/3100	325/380	50
LKA17255.230	Ball	200/240	50/60	0.25	40/35	2800/3100	325/380	50

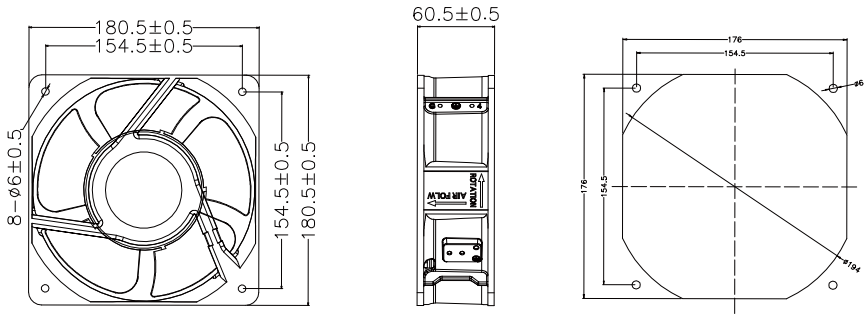
180x180x60mm **LKA18060**

Motor structure: Shaded pole motor
Dielectric strength: AC 1500V, at 0.5mA, 50/60Hz
Insulation level: Class A/F

Material: Fan blade: PBT, 5 impeller
Bearings: Ball bearings
Motor life: 50000 hours



DIMENSION (mm)



Model	Bearing type	Voltage (V)	Freq (Hz)	Current (A)	Power (W)	Speed (RPM)	Air Volume (m³/h)	Noise (dB)
LKA18060.115	Ball	100/125	50/60	0.86	50/45	2650/2800	476/510	62
LKA18060.230	Ball	200/240	50/60	0.45	50/45	2650/2800	476/510	62

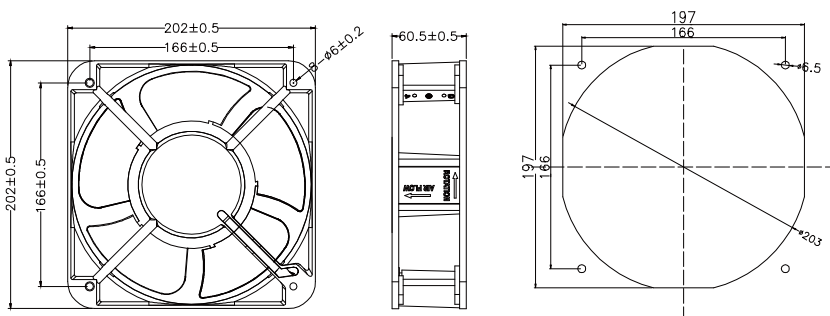
202x202x60mm **LKA20260**

Motor structure: Shaded pole motor
Dielectric strength: AC 1500V, at 0.5mA, 50/60Hz
Insulation level: Class A/F

Material: Fan blade: PBT, 5 impeller
Bearings: Ball bearings
Motor life: 50000 hours



DIMENSION (mm)



Model	Bearing type	Voltage (V)	Freq (Hz)	Current (A)	Power (W)	Speed (RPM)	Air Volume (m³/h)	Noise (dB)
LKA20260.115	Ball	100/125	50/60	0.86	52/48	2650/2750	595/648	65
LKA20260.230	Ball	200/240	50/60	0.45	52/48	2650/2750	595/648	65

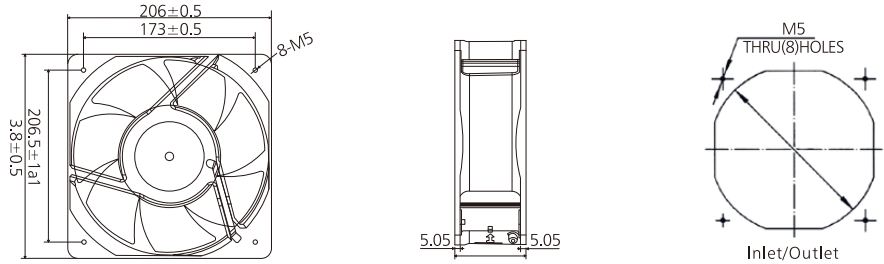
LKA20572 205x205x72mm



Motor structure: Shaded pole motor
Dielectric strength: AC 1500V, at 0.5mA, 50/60Hz
Insulation level: Class F

Material: Fan blade: PBT, 7 impeller
Bearings: Ball bearings
Motor life: 50000 hours

DIMENSION (mm)



Model	Bearing type	Voltage (V)	Freq (Hz)	Current (A)	Power (W)	Speed (RPM)	Air Volume (m ³ /h)	Noise (dB)
LKA20572.115	Ball	100/125	50/60	0.70	60/80	2800/3200	986/1050	68
LKA20572.230	Ball	200/240	50/60	0.35	60/80	2800/3200	986/1050	68

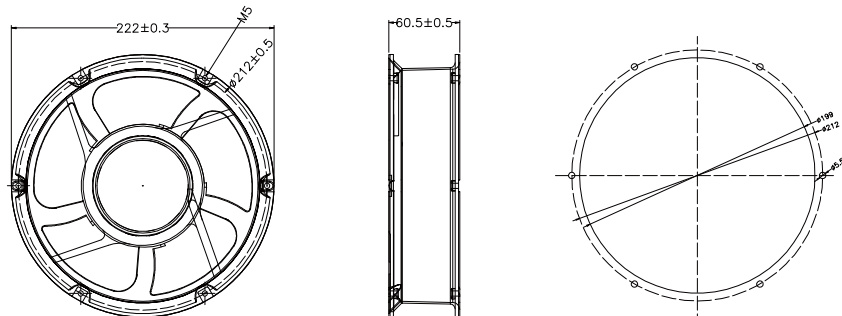
LKA22060 220x60mm



Motor structure: Shaded pole motor
Dielectric strength: AC 1500V, at 0.5mA, 50/60Hz
Insulation level: Class A/F

Material: Fan blade: PBT, 5 impeller
Bearings: Ball bearings
Motor life: 50000 hours

DIMENSION (mm)



Model	Bearing type	Voltage (V)	Freq (Hz)	Current (A)	Power (W)	Speed (RPM)	Air Volume (m ³ /h)	Noise (dB)
LKA22060.115	Ball	100/125	50/60	0.86	52/48	2650/2750	595/648	65
LKA22060.230	Ball	200/240	50/60	0.45	52/48	2650/2750	595/648	65

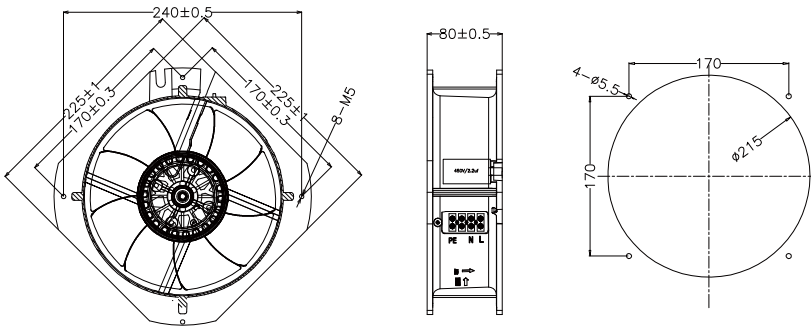
225x225x80mm **LKA22580**

Motor structure: Shaded pole motor
Dielectric strength: AC 1500V, at 0.5mA, 50/60Hz
Insulation level: Class A/F

Material: Fan blade: Cold rolled plate, 9 impeller
Bearings: Ball bearings
Motor life: 50000 hours



DIMENSION (mm)



Model	Bearing type	Voltage (V)	Freq (Hz)	Current (A)	Power (W)	Speed (RPM)	Air Volume (m³/h)	Noise (dB)
LKA22580.115	Ball	100/125	50/60	0.68/0.65	67/77	2500/2700	925/1030	60
LKA22580.230	Ball	200/240	50/60	0.28/0.35	67/77	2500/2700	925/1030	60

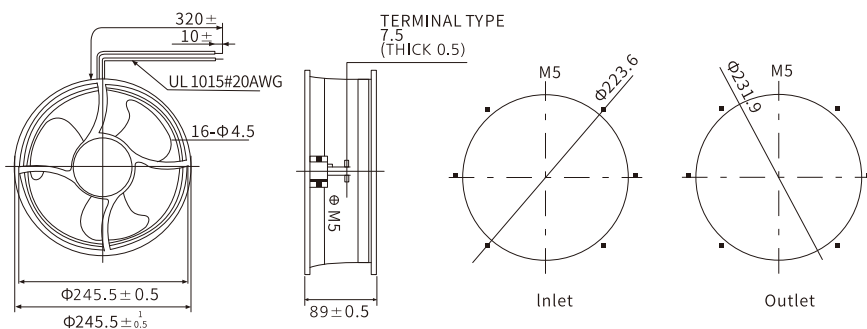
254x89mm **LKA25489**

Motor structure: Cage motor
Dielectric strength: AC 1500V, at 0.5mA, 50/60Hz
Insulation level: Class F

Material: Fan blade: PBT, 3 impeller
Bearings: Ball bearings
Motor life: 50000 hours



DIMENSION (mm)



Model	Bearing type	Voltage (V)	Freq (Hz)	Current (A)	Power (W)	Speed (RPM)	Air Volume (m³/h)	Noise (dB)
LKA25489.115	Ball	100/125	50/60	0.8	50/52	2500/2600	816/880	68
LKA25489.230	Ball	200/240	50/60	0.4	50/52	2500/2600	816/880	68

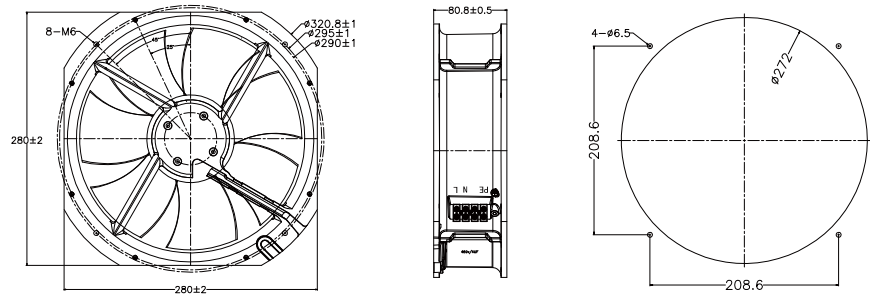
LKA28080 280x280x80mm



Motor structure: Shaded pole motor
Dielectric strength: AC 1500V, at 0.5mA, 50/60Hz
Insulation level: Class A

Material: Fan blade: Cold rolled plate, 7 impeller
Bearings: Ball bearings
Motor life: 50000 hours

DIMENSION (mm)



Model	Bearing type	Voltage (V)	Freq (Hz)	Current (A)	Power (W)	Speed (RPM)	Air Volume (m³/h)	Noise (dB)
LKA28080.115	Ball	100/125	50/60	1.20/1.30	126/148	2450/2500	1865/1970	68
LKA28080.230	Ball	200/240	50/60	0.58/0.63	126/148	2450/2500	1865/1970	68

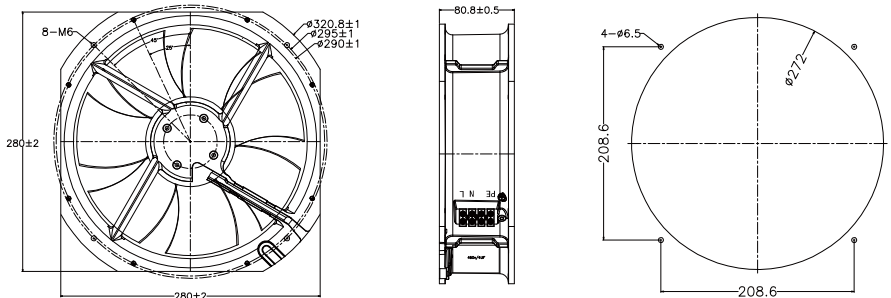
LKA32080 280x280x80mm



Motor structure: Shaded pole motor
Dielectric strength: AC 1500V, at 0.5mA, 50/60Hz
Insulation level: Class F

Material: Fan blade: Cold rolled plate, 7 impeller
Bearings: Ball bearings
Motor life: 50000 hours

DIMENSION (mm)



Model	Bearing type	Voltage (V)	Freq (Hz)	Current (A)	Power (W)	Speed (RPM)	Air Volume (m³/h)	Noise (dB)
LKA32080.115	Ball	100/125	50/60	1.20/1.30	126/148	2400/2500	1865/1970	70
LKA32080.230	Ball	200/240	50/60	0.58/0.63	126/148	2400/2500	1865/1970	70

LKE SERIES EC AXIAL FANS

Insulation: Class B

Material: Impeller & Frame: Plastic (UL94V-0)

Lead Wire: UL Type

Operation Temperature: -10-70°C, 35-85%RH

Storage Temperature: -40°C-80°C, 35%-85%RH

IP68 / PWM / FG&RD / Thermal control / Auto restart / Slow startup Available Features:



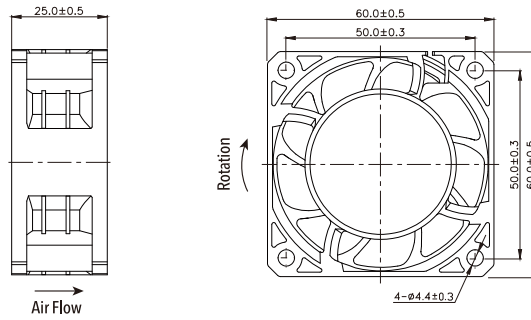
LKE6025 60x60x25mm



Bearings: Ball bearings
Lead Wire: UL Type
Insulation level: Class B

Material: Impeller & Frame: Plastic (UL94-V0)
Working temperature: -10~70°C
Weight: 85g

DIMENSION (mm)



IP68

UK CA

CE

RoHS COMPLIANT

-10 +70 °C

Model	Rated Voltage (V)	Rated Current (A)	Power (W)	Speed (RPM)	Air Pressure (CFM)	Air Volume (mmHzO)	Noise (dB)
LKE6025HB	115/230	0.09/0.06	6	8000	31.1	16.2	47.6
LKE6025HB	115/230	0.05/0.03	4	6000	22.4	8.5	37.7
LKE6025HB	115/230	0.03/0.02	2	4000	15.4	4.0	27.9

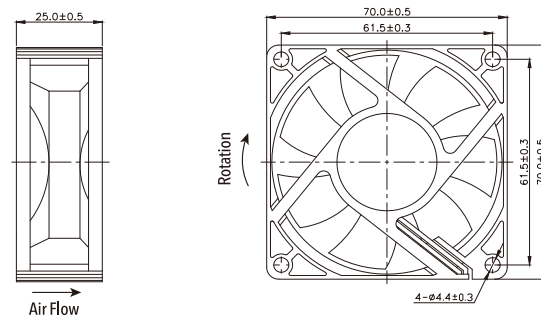
LKE7025 70x70x25mm



Bearings: Ball bearings
Lead Wire: UL Type
Insulation level: Class B

Material: Impeller & Frame: Plastic (UL94-V0)
Working temperature: -10~70°C
Weight: 70g

DIMENSION (mm)



IP68

UK CA

CE

RoHS COMPLIANT

-10 +70 °C

Model	Rated Voltage (V)	Rated Current (A)	Power (W)	Speed (RPM)	Air Pressure (CFM)	Air Volume (mmHzO)	Noise (dB)
LKE7025HX	115/230	0.10/0.05	4	3500	32.3	4.0	33
LKE6025MX	115/230	0.08/0.04	3	3000	28.3	3.1	28
LKE6025LX	115/230	0.06/0.03	2	2500	23.6	2.2	24

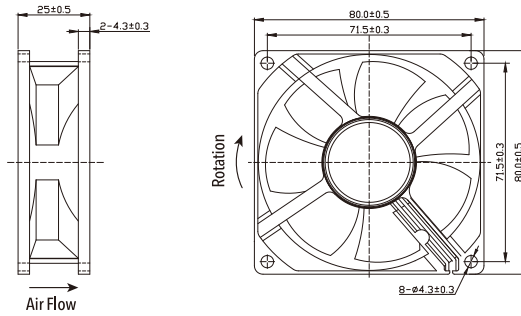
80x80x25mm **LKE8025**

Bearings: Ball bearings
Lead Wire: UL Type
Insulation level: Class B

Material: Impeller & Frame: Plastic (UL94-V0)
Working temperature: -10~70°C
Weight: 76g



DIMENSION (mm)



Model	Rated Voltage	Rated Current	Power	Speed	Air Pressure	Air Volume	Noise
	(V)	(A)	(W)	(RPM)	(CFM)	(mmHzO)	(dB)
LKE8025HB	115/230	0.10/0.05	5	3200	39.1	3.9	34
LKE8025MX	115/230	0.08/0.04	4	2800	34.2	3.0	28
LKE8025LX	115/230	0.06/0.03	3	2400	29.8	2.4	23

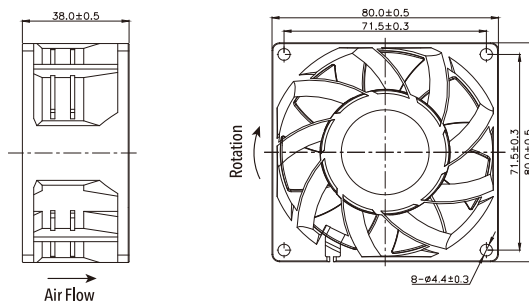
80x80x38mm **LKE8038**

Bearings: Ball bearings
Lead Wire: UL Type
Insulation level: Class B

Material: Impeller & Frame: Plastic (UL94-V0)
Working temperature: -10~70°C
Weight: 140g



DIMENSION (mm)



Model	Rated Voltage	Rated Current	Power	Speed	Air Pressure	Air Volume	Noise
	(V)	(A)	(W)	(RPM)	(CFM)	(mmHzO)	(dB)
LKE8038HX	115/230	0.12/0.06	6	3500	43.8	6.2	42
LKE8038MX	115/230	0.08/0.04	4	3000	37.4	4.6	37
LKE8038LX	115/230	0.06/0.03	3	2500	31.4	3.3	32

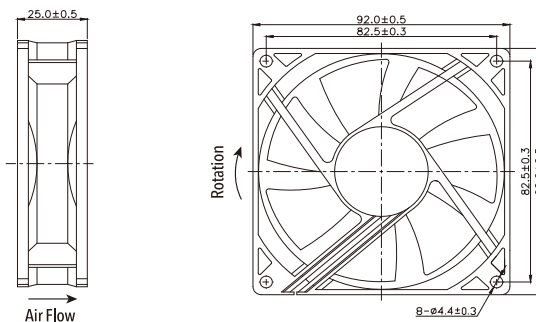
LKE9225 92x92x25mm



Bearings: Sleeve or ball bearing
Lead Wire: UL Type
Insulation level: Class B

Material: Impeller & Frame: Plastic (UL94-V0)
Working temperature: -10~70°C
Weight: 85g

DIMENSION (mm)



Model	Rated Voltage (V)	Rated Current (A)	Power (W)	Speed (RPM)	Air Pressure (CFM)	Air Volume (mmHzO)	Noise (dB)
LKE9225HB	115/230	0.12/0.06	6	2800	49.0	2.7	33
LKE9225MX	115/230	0.10/0.05	5	2500	44.7	2.2	30
LKE9225LX	115/230	0.06/0.03	3	2000	36.2	1.5	25

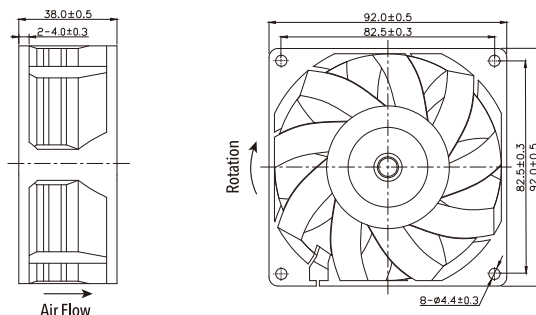
LKE9238 92x92x38mm



Bearings: Ball bearings
Lead Wire: UL Type
Insulation level: Class B

Material: Impeller & Frame: Plastic (UL94-V0)
Working temperature: -10~70°C
Weight: 175g

DIMENSION (mm)



Model	Rated Voltage (V)	Rated Current (A)	Power (W)	Speed (RPM)	Air Pressure (CFM)	Air Volume (mmHzO)	Noise (dB)
LKE9238HX	115/230	0.14/0.07	7	3500	77.4	8.3	37
LKE9238MX	115/230	0.10/0.05	5	3000	67.9	6.2	33
LKE9238LX	115/230	0.06/0.03	4	2500	56.9	4.4	29

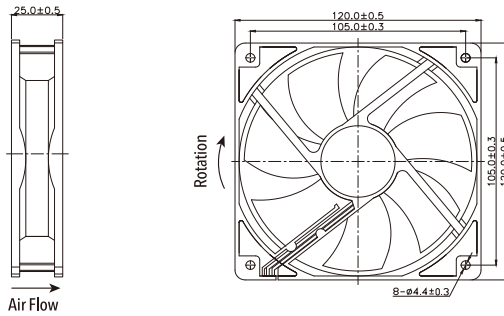
120x120x25mm LKE12025

Bearings: Sleeve or ball bearing
Lead Wire: UL Type
Insulation level: Class B

Material: Impeller & Frame: Plastic (UL94-V0)
Working temperature: -10~70°C
Weight: 140g



DIMENSION (mm)



Model	Rated Voltage (V)	Rated Current (A)	Power (W)	Speed (RPM)	Air Pressure (CFM)	Air Volume (mmHzO)	Noise (dB)
LKE12025HB	115/230	0.16/0.08	7	2600	89.9	4.3	38
LKE12025MX	115/230	0.12/0.06	4	2200	76.2	3.3	33
LKE12025LX	115/230	0.10/0.05	3	1800	60.3	2.3	28

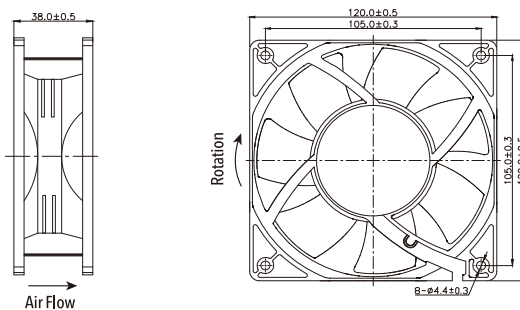
120x120x38mm LKE12038

Bearings: Ball bearings
Lead Wire: UL Type
Insulation level: Class B

Material: Impeller & Frame: Plastic (UL94-V0)
Working temperature: -10~70°C
Weight: 260g



DIMENSION (mm)



Model	Rated Voltage (V)	Rated Current (A)	Power (W)	Speed (RPM)	Air Pressure (CFM)	Air Volume (mmHzO)	Noise (dB)
LKE12038DB	115/230	0.26/0.13	18	4000	185.2	17.3	57
LKE12038HX	115/230	0.20/0.10	12	3500	160.1	13.1	53
LKE12038MX	115/230	0.16/0.08	8	3000	138.6	9.7	49
LKE12038LX	115/230	0.12/0.08	6	2500	114.9	6.8	44

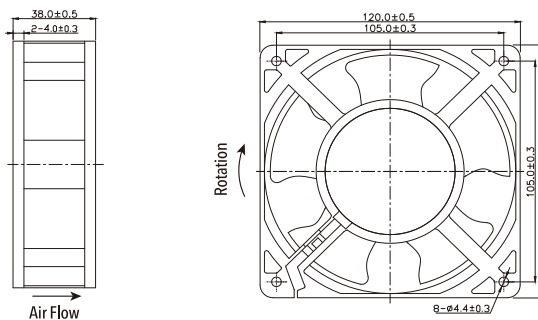
LKE12038-A 120x120x38mm



Bearings: Sleeve or ball bearing
Lead Wire: UL Type
Insulation level: Class B

Material: Impeller & Frame: Plastic (UL94-V0)
Working temperature: -10~70°C
Weight: 360g

DIMENSION (mm)



Model	Rated Voltage (V)	Rated Current (A)	Power (W)	Speed (RPM)	Air Pressure (CFM)	Air Volume (mmHzO)	Noise (dB)
LKE12038-ADB	115/230	0.26/0.13	18	4000	139.3	15.31	52
LKE12038-AHX	115/230	0.20/0.10	12	3500	115.3	11.94	48
LKE12038-AMX	115/230	0.16/0.08	8	3000	106.8	9.04	45
LKE12038-ALX	115/230	0.12/0.06	6	2500	82.9	6.32	38

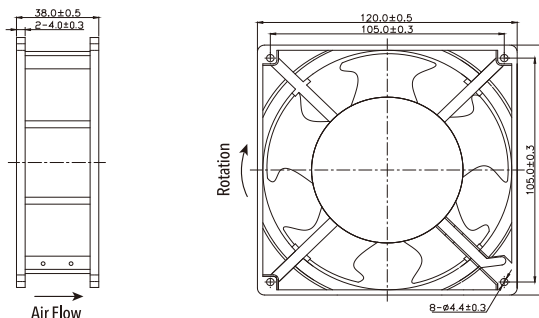
LKE12038-B 120x120x38mm



Bearings: Sleeve or ball bearing
Lead Wire: UL Type
Insulation level: Class B

Material: Impeller & Frame: Plastic (UL94-V0)
Working temperature: -10~70°C
Weight: 360g

DIMENSION (mm)



Model	Rated Voltage (V)	Rated Current (A)	Power (W)	Speed (RPM)	Air Pressure (CFM)	Air Volume (mmHzO)	Noise (dB)
LKE12038-BDB	115/230	0.26/0.13	18	4000	139.3	15.31	52
LKE12038-BHX	115/230	0.20/0.10	12	3500	115.3	11.94	48
LKE12038-BMX	115/230	0.16/0.08	8	3000	106.8	9.04	45
LKE12038-BLX	115/230	0.12/0.06	6	2500	82.9	6.32	38

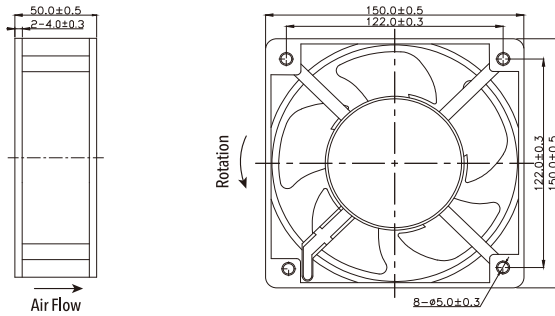
150x150x51mm LKE15051

Bearings: Sleeve or ball bearing
Lead Wire: UL Type
Insulation level: Class B

Material: Impeller & Frame: Plastic (UL94-V0)
Working temperature: -10~70°C
Weight: 750g



DIMENSION (mm)



Model	Rated Voltage (V)	Rated Current (A)	Power (W)	Speed (RPM)	Air Pressure (CFM)	Air Volume (mmHzO)	Noise (dB)
LKE15051HX	115/230	0.70/0.35	35	3500	293.5	17.6	59
LKE15051MX	115/230	0.50/0.25	22	3000	242.8	12.8	51
LKE15051LX	115/230	0.36/0.18	16	2500	205.4	9.2	44

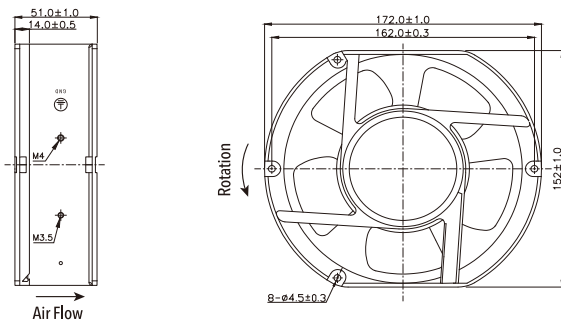
172x150x51mm LKE17251-A

Bearings: Sleeve or ball bearing
Lead Wire: UL Type
Insulation level: Class B

Material: Impeller & Frame: Plastic (UL94-V0)
Working temperature: -10~70°C
Weight: 740g



DIMENSION (mm)



Model	Rated Voltage (V)	Rated Current (A)	Power (W)	Speed (RPM)	Air Pressure (CFM)	Air Volume (mmHzO)	Noise (dB)
LKE17251HX	115/230	0.70/0.35	35	3500	293.5	17.6	59
LKE17251MX	115/230	0.50/0.25	22	3000	242.8	12.8	51
LKE17251LX	115/230	0.36/0.18	16	2500	205.4	9.2	44

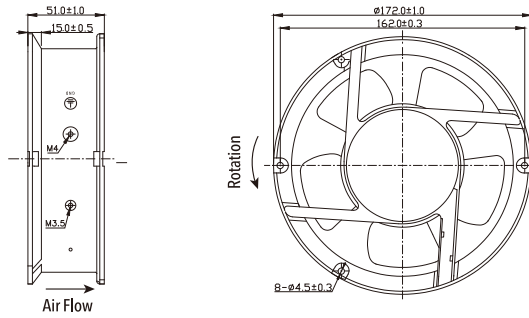
LKE 17251-B 172x51mm



Bearings: Ball bearing
Lead Wire: UL Type
Insulation level: Class B

Material: Impeller & Frame: Plastic (UL94-V0)
Working temperature: -10~70°C
Weight: 760g

DIMENSION (mm)



Model	Rated Voltage (V)	Rated Current (A)	Power (W)	Speed (RPM)	Air Pressure (CFM)	Air Volume (mmHzO)	Noise (dB)
LKE17251HB	115/230	0.70/0.35	35	3500	293.5	17.6	59
LKE17251MB	115/230	0.50/0.25	22	3000	242.8	12.8	51
LKE17251LB	115/230	0.36/0.18	16	2500	205.4	9.2	44

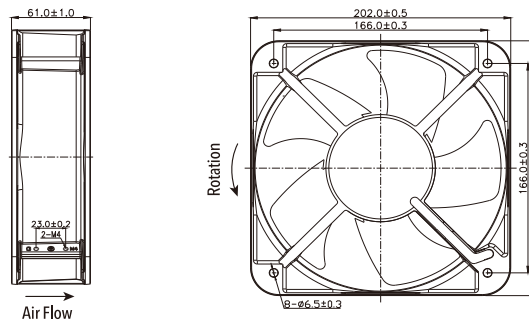
LKE 20060 200x200x60mm



Bearings: Ball bearing
Lead Wire: UL Type
Insulation level: Class B

Material: Impeller & Frame: Plastic (UL94-V0)
Working temperature: -10~70°C
Weight: 1300g

DIMENSION (mm)



Model	Rated Voltage (V)	Rated Current (A)	Power (W)	Speed (RPM)	Air Pressure (CFM)	Air Volume (mmHzO)	Noise (dB)
LKE20060MB	115/230	0.80/0.40	45	2500	524.8	14.9	48
LKE20060LB	115/230	0.40/0.20	25	2000	423.6	9.7	50

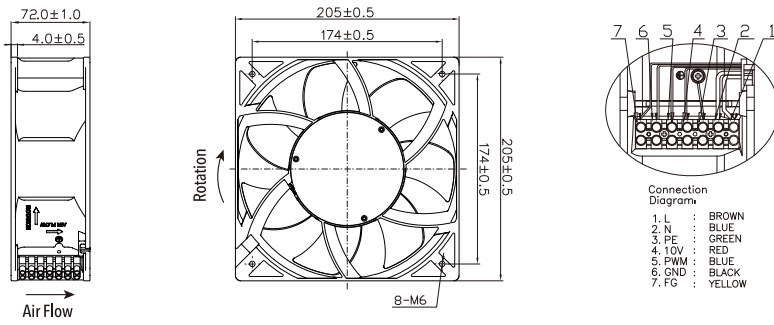
205x205x72mm **LKE20572**

Bearings: gs: Ball bearing
Lead Wire: UL Type
Insulation level: Class B

Material: Impeller & Frame: Plastic (UL94-V0)
Working temperature: -10~70°C
Weight: 1880g



DIMENSION (mm)



Model	Rated Voltage (V)	Rated Current (A)	Power (W)	Speed (RPM)	Air Pressure (CFM)	Air Volume (mmHzO)	Noise (dB)
LKE20572HB	115/230	2.02/1.10	145	3600	963.4	42.1	73.7
LKE20572MB	115/230	1.60/0.80	95	3000	801.7	30.7	69.4
LKE20572LB	115/230	1.0/0.50	60	2500	644.1	21.2	65.0

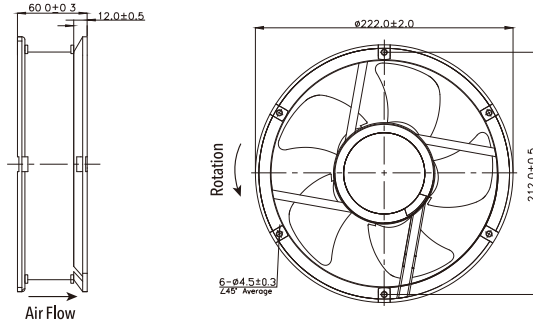
220x60mm **LKE22060**

Bearings: Ball bearing
Lead Wire: UL Type
Insulation level: Class B

Material: Impeller & Frame: Plastic (UL94-V0)
Working temperature: -10~70°C
Weight: 1350g



DIMENSION (mm)



Model	Rated Voltage (V)	Rated Current (A)	Power (W)	Speed (RPM)	Air Pressure (CFM)	Air Volume (mmHzO)	Noise (dB)
LKE22060MB	115/230	0.80/0.40	45	2500	524.8	14.9	48
LKE22060LB	115/230	0.40/0.20	25	2000	423.6	9.7	50

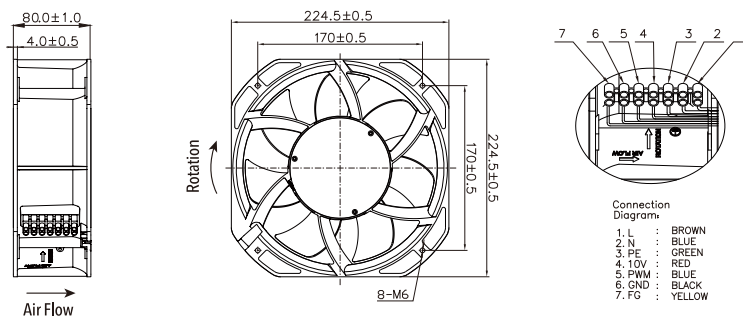
LKE 22580 225x225x80mm



Bearings: Ball bearing
Lead Wire: UL Type
Insulation level: Class B

Material: Impeller & Frame: Plastic (UL94-V0)
Working temperature: -10~70°C
Weight: 2000g

DIMENSION (mm)



Model	Rated Voltage (V)	Rated Current (A)	Power (W)	Speed (RPM)	Air Pressure (CFM)	Air Volume (mmHzO)	Noise (dB)
LKE22580HB	115/230	2.02/1.10	145	3600	963.4	42.1	73.7
LKE22580MB	115/230	1.60/0.80	95	3000	801.7	30.7	69.4
LKE22580LB	115/230	1.0/0.50	60	2500	644.1	21.2	65.0

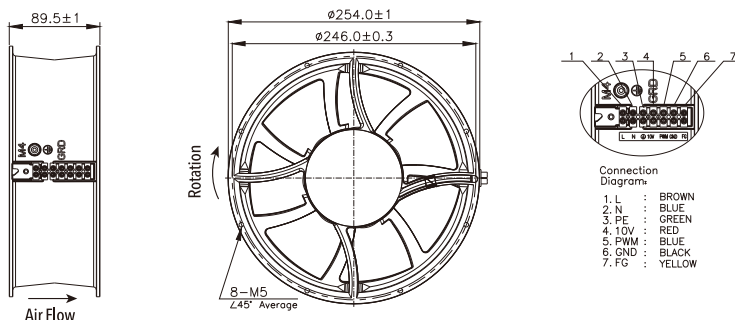
LKE 25489 254x89mm



Bearings: Ball bearing
Lead Wire: UL Type
Insulation level: Class B

Material: Impeller & Frame: Plastic (UL94-V0)
Working temperature: -10~70°C
Weight: 2100g

DIMENSION (mm)



Model	Rated Voltage (V)	Rated Current (A)	Power (W)	Speed (RPM)	Air Pressure (CFM)	Air Volume (mmHzO)	Noise (dB)
LKE25489HB	115/230	2.0/1.10	145	3200	1195.3	21.2	72.4
LKE25489MB	115/230	1.80/0.90	115	3000	1120.6	21.2	71
LKE25489LB	115/230	1.60/0.80	110	2800	1050.8	21.2	69.5
LKE25489H2B	220/240	1.10	145	3200	1195.3	21.2	72.4
LKE25489M2B	220/240	0.90	115	3000	1120.6	21.2	71
LKE25489L2B	220/240	0.80	100	2800	1050.8	21.2	69.5

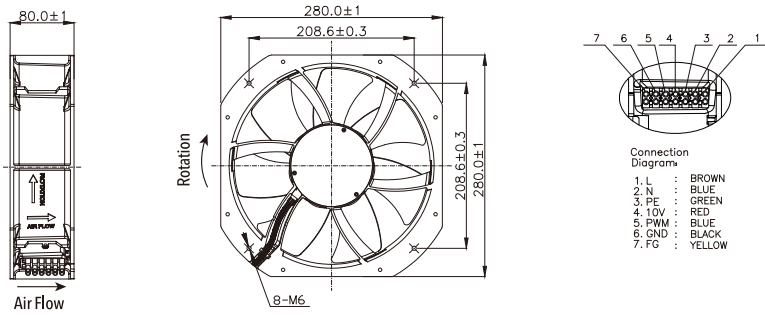
280x280x80mm **LKE28080**

Bearings: Ball bearing
Lead Wire: UL Type
Insulation level: Class B

Material: Impeller & Frame: Plastic (UL94-V0)
Working temperature: -10~70°C
Weight: 2400g



DIMENSION (mm)



Model	Rated Voltage (V)	Rated Current (A)	Power (W)	Speed (RPM)	Air Pressure (CFM)	Air Volume (mmH ₂ O)	Noise (dB)
LKE28080HB	115/230	2.0/4.0	145	3200	1478.3	30.6	71.5
LKE28080MB	115/230	1.40/0.70	75	2500	1186.6	30.6	65.6
LKE28080LB	115/230	1.0/0.50	45	2000	951.0	21.0	60.2

LK SERIES DC FAN

Multiple rotational speeds are available, with a maximum IP rating of IP68. Customization, speed regulation, speed detection, and fault alarm functions are available.

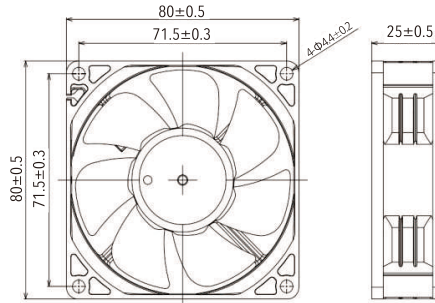


80x80x25mm **LK8025**

PARAMETER

Bearings: Sleeve or ball bearings
Material: PBT 7 fan blade
Motor life: 30,000h (Sleeve) / 50,000h (ball)
Insulation level: Class A
Working temperature: -20~60°C
Weight: 72g

DIMENSION (mm)



Model	Voltage (V)	Current (A)	Power (W)	Speed (RPM)	Air Flow (CFM)	Noise (dB)
LK8025L12B	12	0.15	1.80	2500	28.91	28.3
LK8025L24B	24	0.08	1.92			
LK8025M12B	12	0.30	3.60	3000	36.63	35.2
LK8025M24B	24	0.15	3.60			
LK8025M12B	12	0.45	5.40			
LK8025H24B	24	0.25	6.00	4000	44.2	42.9
LK8025H48B	48	0.10	4.80			

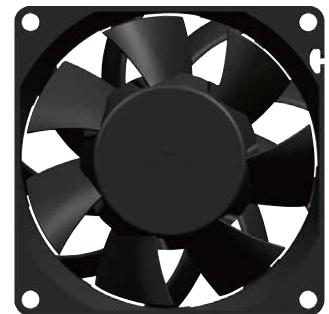
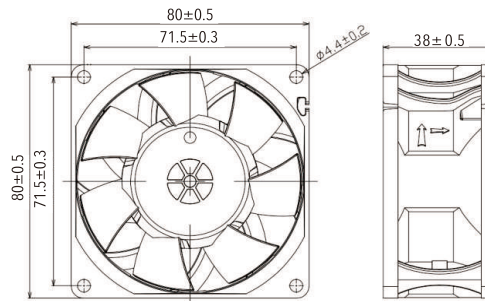


80x80x38mm **LK8038**

PARAMETER

Bearings: Sleeve or ball bearings
Material: PBT 7 fan blade
Motor life: 30,000h (Sleeve) / 50,000h (ball)
Insulation level: Class A
Working temperature: -20~60°C
Weight: 177.6g

DIMENSION (mm)



Model	Voltage (V)	Current (A)	Power (W)	Speed (RPM)	Air Flow (CFM)	Noise (dB)
LK8038L12B	12	0.50	6.00			
LK8038L24B	24	0.25	6.00	4000	52.52	42
LK8038L48B	48	0.12	5.76			
LK8038M12B	12	0.90	10.8	6000	84.32	57.3
LK8038M24B	24	0.45	10.8			
LK8038H12B	12	1.60	19.2			
LK8038H24B	24	0.80	19.2	8000	131	69.5
LK8038H48B	48	0.40	19.2			



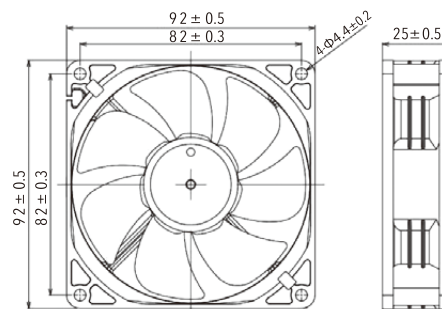
LK9225 92x92x25mm



PARAMETER

Bearings: Sleeve or ball bearings
Material: PBT 7 fan blade
Motor life: 30,000h (Sleeve) / 50,000h (ball)
Insulation level: Class A
Working temperature: -20~60°C
Weight: 102g

DIMENSION (mm)



Model	Voltage (V)	Current (A)	Power (W)	Speed (RPM)	Air Flow (CFM)	Noise (dB)
LK9225L12B	12	0.15	1.80	2500	50.66	33.6
LK9225L24B	24	0.08	1.92			
LK9225L48B	48	0.04	1.92			
LK9225M12B	12	0.30	3.60	3500	60.25	40.9
LK9225M24B	24	0.15	3.60			
LK9225M48B	48	0.12	5.76			
LK9225H12B	12	0.45	5.40	4500	72.79	45.3
LK9225H24B	24	0.25	6.00			
LK9225H48B	48	0.12	5.76			

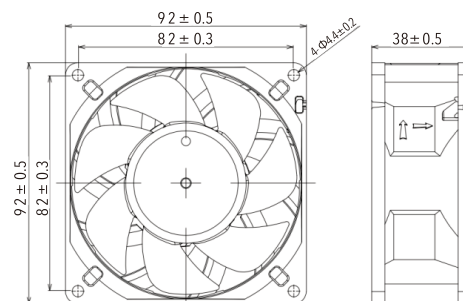
LK9238 92x92x38mm



PARAMETER

Bearings: Sleeve or ball bearings
Material: PBT 7 fan blade
Motor life: 30,000h (Sleeve) / 50,000h (ball)
Insulation level: Class A
Working temperature: -20~60°C
Weight: 202g

DIMENSION (mm)



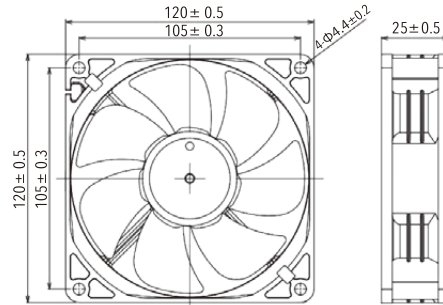
Model	Voltage (V)	Current (A)	Power (W)	Speed (RPM)	Air Flow (CFM)	Noise (dB)
LK9238L12B	12	0.50	6.00	4000	82.04	37.0
LK9238L24B	24	0.25	6.00			
LK9238L48B	48	0.12	5.76			
LK9238M12B	12	0.90	10.8	6000	123.05	55.6
LK9238M24B	24	0.45	10.8			
LK9238M48B	48	0.22	10.56			
LK9238H12B	12	1.60	19.2	7500	164.07	74.0
LK9238H24B	24	0.80	19.2			
LK9238H48B	48	0.40	19.2			

120x120x25mm LK12025

PARAMETER

Bearings: Ball bearings
Material: PBT 7 fan blade
Motor life: 5000 hours
Insulation level: Class A
Working temperature: -20~60°C
Weight: 121.3g

DIMENSION (mm)



Model	Voltage (V)	Current (A)	Power (W)	Speed (RPM)	Air Flow (CFM)	Noise (dB)
LK12025L12B	12	0.15	1.80	2000	49.21	28.6
LK12025L24B	24	0.08	1.92			
LK12025L48B	48	0.04	1.92			
LK12025M12B	12	0.30	3.60	2500	73.45	36.8
LK12025M24B	24	0.15	3.60			
LK12025M48B	48	0.08	3.84			
LK12025H12B	12	0.45	5.40	3500	113.9	49.5
LK12025H24B	24	0.25	6.00			
LK12025H48B	48	0.12	5.76			

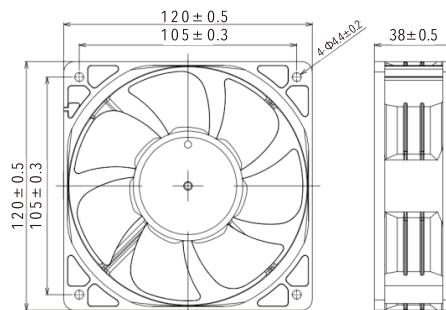


120x120x38mm LK12038-A

PARAMETER

Bearings: Ball bearings
Material: PBT 7 fan blade
Motor life: 5000 hours
Insulation level: Class A
Working temperature: -20~60°C
Weight: 301.5g

DIMENSION (mm)



Model	Voltage (V)	Current (A)	Power (W)	Speed (RPM)	Air Flow (CFM)	Noise (dB)
LK12038L12B	12	0.35	4.20	2500	97.91	41.5
LK12038L24B	24	0.15	3.60			
LK12038L48B	48	0.08	3.84			
LK12038M12B	12	0.80	9.60	3500	139.4	50.6
LK12038M24B	24	0.30	7.20			
LK12038M48B	48	0.15	7.20			
LK12038H12B	12	1.60	19.2	4500	167.2	56.6
LK12038H24B	24	0.80	19.2			
LK12038H48B	48	0.40	19.2			



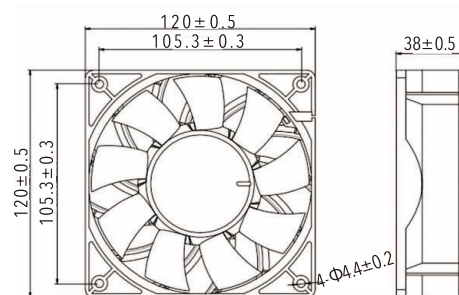
LK12038-B 120x120x38mm



PARAMETER

Bearings: Ball bearings
Material: PBT9 fan blade
Motor life: 5000 hours
Insulation level: Class A
Working temperature: -20~60°C
Weight: 301.5g

DIMENSION (mm)



Model	Voltage (V)	Current (A)	Power (W)	Speed (RPM)	Air Flow (CFM)	Noise (dB)
LK12038L12B	12	1.00	12.0	3500	166.37	46.5
LK12038L24B	24	0.50	12.0			
LK12038L48B	48	0.30	14.4			
LK12038M12B	12	1.80	21.6	4500	215.87	63.3
LK12038M24B	24	1.00	24.0			
LK12038M48B	48	0.50	24.0			
LK12038H12B	12	3.00	36.0	5500	266.52	67.9
LK12038H24B	24	1.20	28.8			
LK12038H48B	48	0.80	38.4			

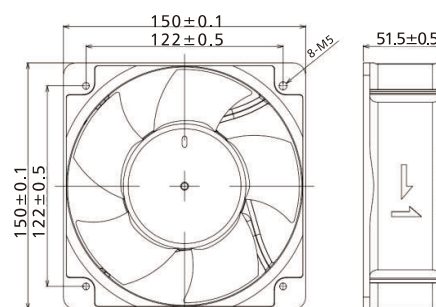
LK15050 150x150x30mm



PARAMETER

Bearings: Ball bearings
Material: PBT5 fan blade
Motor life: 5000 hours
Insulation level: Class A
Working temperature: -20~60°C
Weight: 700g

DIMENSION (mm)



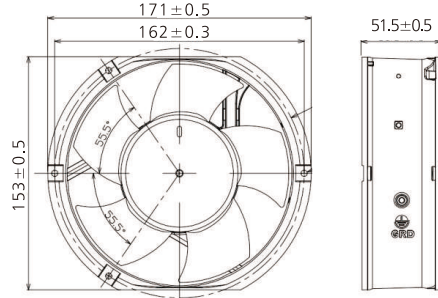
Model	Voltage (V)	Current (A)	Power (W)	Speed (RPM)	Air Flow (CFM)	Noise (dB)
LK15050L12B	12	1.20	14.4	2500	238.8	54.7
LK15050L24B	24	0.50	12.0			
LK15050L48B	48	0.30	14.4			
LK15050M12B	12	1.60	19.2	3500	326.2	63.2
LK15050M24B	24	0.80	19.2			
LK15050M48B	48	0.40	19.2			
LK15050H12B	12	3.00	36.0	4500	402.3	70.0
LK15050H24B	24	1.30	31.2			
LK15050H48B	48	0.80	38.4			

172x150x51mm **LK17251**

PARAMETER

Bearings: Ball bearings
Material: PBT 5 fan blade
Motor life: 5000 hours
Insulation level: Class A
Working temperature: -20~60°C
Weight: 655g

DIMENSION (mm)



Model	Voltage (V)	Current (A)	Power (W)	Speed (RPM)	Air Flow (CFM)	Noise (dB)
LK17250L12B	12	1.20	14.4	3000	238.8	54.7
LK17250L24B	24	0.50	12.0			
LK17250L48B	48	0.30	14.4			
LK17250M12B	12	1.60	19.2	3500	326.2	63.2
LK17250M24B	24	0.80	19.2			
LK17250M48B	48	0.40	19.2			
LK17250H12B	12	3.00	36.0	4500	402.3	70.0
LK17250H24B	24	1.30	31.2			
LK17250H48B	48	0.80	38.4			

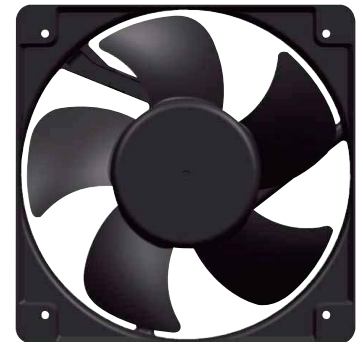
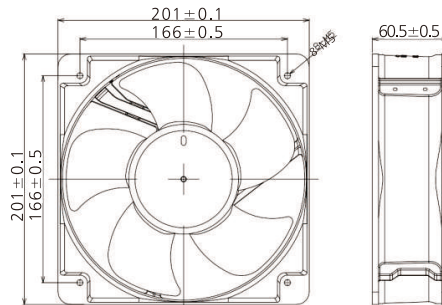


200x200x60mm **LK20060**

PARAMETER

Bearings: Ball bearings
Material: PBT 5 fan blade
Motor life: 5000 hours
Insulation level: Class A
Working temperature: -20~60°C
Weight: 2400g

DIMENSION (mm)



Model	Voltage (V)	Current (A)	Power (W)	Speed (RPM)	Air Flow (CFM)	Noise (dB)
LK20060L12B	12	2.00	24.0	2500	513.66	60.2
LK20060L24B	24	0.80	19.2			
LK20060L48B	48	0.40	19.2			
LK20060M12B	12	3.00	36.0	3000	616.4	65.8
LK20060M24B	24	1.50	36.0			
LK20060M48B	48	0.80	38.4			
LK20060H12B	12	4.50	54.0	3500	719.14	70.5
LK20060H24B	24	2.50	60.0			
LK20060H48B	48	1.50	72.0			



LK 20572 205x205x72mm

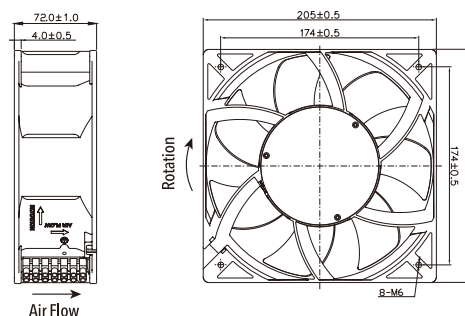


UP TO **IP68**

PARAMETER

- Bearings:** Ball bearings
- Lead Wire:** UL Type
- Material:** Impeller: Plastic; Frame: Aluminum Alloy
- Insulation level:** Class B
- Working temperature:** -10~70°C
- Weight:** 1800g

DIMENSION (mm)



Model	Voltage (V)	Current (A)	Speed (RPM)	Air Pressure (RPM)	Air volume (CFM)	Noise (dB)
LK20572H12B	12	8.0	3000	30.7	801.7	69.5
LK20572H24B	24	5.0	3300	36.3	877.4	71
LK20572M24B	24	4.0	2700	23.7	684.2	66.9
LK20572L24B	24	3.0	2200	16.6	566.9	62
LK20572H48B	48	2.0	3300	35.9	870.2	71
LK20572M48B	48	1.50	2700	23.7	684.2	66.9
LK20572L48B	48	1.20	2200	16.6	566.9	62

LK 22060 220x60mm

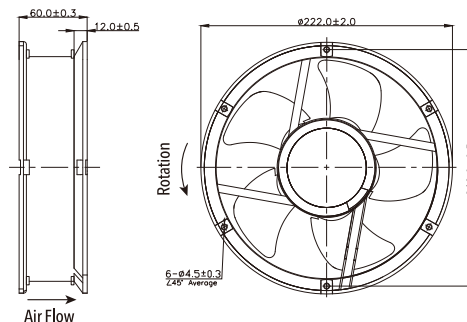


UP TO **IP68**

PARAMETER

- Bearings:** Ball bearings
- Lead Wire:** UL Type
- Material:** Impeller: Plastic; Frame: Aluminum Alloy
- Insulation level:** Class B
- Working temperature:** -10~70°C
- Weight:** 1350g

DIMENSION (mm)



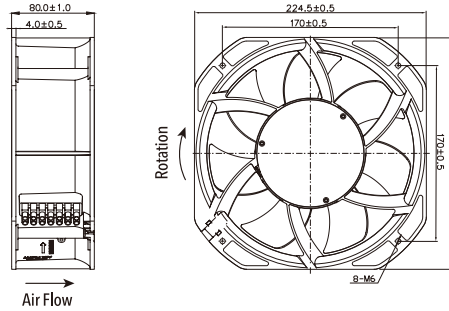
Model	Voltage (V)	Current (A)	Speed (RPM)	Air Pressure (RPM)	Air volume (CFM)	Noise (dB)
LK22060H12B	12	3.50	3000	20.4	676.1	68
LK22060M12B	12	2.80	2500	14.9	524.8	58
LK22060L12B	12	2.0	2000	9.7	423.6	50
LK22060H24B	24	2.0	3000	20.4	676.1	68
LK22060M24B	24	1.50	2500	14.9	524.8	58
LK22060L24B	24	1.0	2000	9.7	423.6	50
LK22060H48B	48	1.20	3000	20.4	676.1	68
LK22060M48B	48	0.80	2500	14.9	524.8	58
LK22060L48B	48	0.50	2000	9.7	423.6	50

225x225x80mm LK 22580

PARAMETER

- Bearings:** Ball bearings
- Lead Wire:** UL Type
- Material:** Impeller: Plastic; Frame: Aluminum Alloy
- Insulation level:** Class B
- Working temperature:** -10~70°C
- Weight:** 2000g

DIMENSION (mm)



Model	Voltage (V)	Current (A)	Speed (RPM)	Air Pressure (RPM)	Air volume (CFM)	Noise (dB)
LK22580H12B	12	8.0	3000	30.7	801.7	69.5
LK22580H24B	24	5.0	3300	36.3	877.4	71
LK22580M24B	24	4.0	2700	23.7	684.2	66.9
LK22580L24B	24	3.0	2200	16.6	566.9	62
LK22580H48B	48	2.0	3300	35.9	870.2	71
LK22580M48B	48	1.50	2700	23.7	684.2	66.9
LK22580L48B	48	1.20	2200	16.6	566.9	62

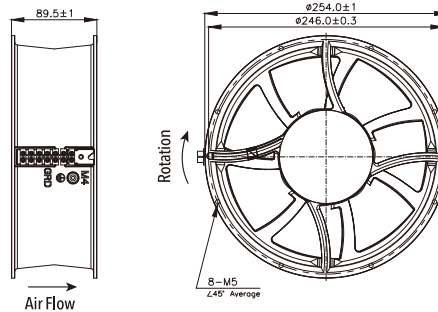


254x89mm LK 25489-A

PARAMETER

- Bearings:** Ball bearings
- Lead Wire:** UL Type
- Material:** Impeller: Plastic; Frame: Aluminum Alloy
- Insulation level:** Class B
- Working temperature:** -10~70°C
- Weight:** 2100g

DIMENSION (mm)



Model	Voltage (V)	Current (A)	Speed (RPM)	Air Pressure (RPM)	Air volume (CFM)	Noise (dB)
LK25489H12B	12	8.0	2600	21.2	961.7	68
LK25489H24B	24	4.0	2600	21.2	961.7	68
LK25489M24B	24	2.0	2000	15.4	763.9	62
LK25489L24B	24	0.80	1600	10.1	561.7	57
LK25489H48B	48	2.0	3000	21.2	1120.6	71
LK25489M48B	48	1.0	2800	21.2	1050.8	69.5
LK25489L48B	48	0.60	2600	21.2	961.7	68



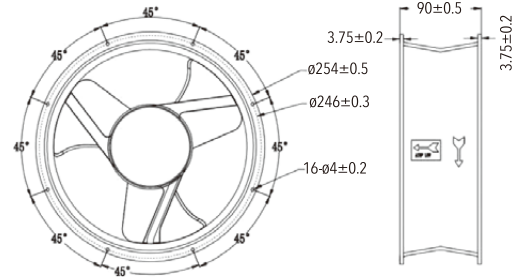
LK25489-B 254x89mm



PARAMETER

- Bearings:** Ball bearings
- Material:** PBT 3 fan blade
- Motor life:** 5000 hours
- Insulation level:** Class A
- Working temperature:** -20~60°C
- Weight:** 2600g

DIMENSION (mm)



Model	Voltage (V)	Current (A)	Power (W)	Speed (RPM)	Air Flow (CFM)	Noise (dB)
LK25489L12B	12	3.5	19.8	2000	565	63.8
LK25489L24B	24	1.5	18.81			
LK25489L48B	48	0.8	17.87	3000	864	73.5
LK25489M24B	24	3.7	56.76			
LK25489M48B	48	1.9	53.92	4000	1321	90
LK25489H24B	24	7.8	84.36			
LK25489H48B	48	4.0	80.14			

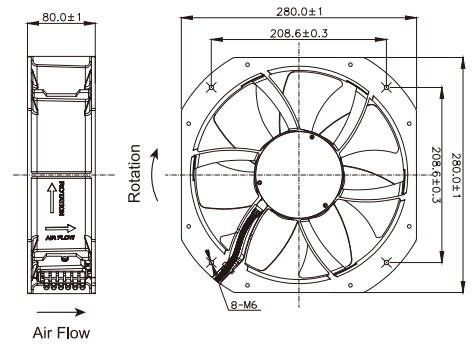
LK28080 280x280x80mm



PARAMETER

- Bearings:** Ball bearings
- Lead Wire:** UL Type
- Material:** Impeller: Plastic; Frame: Aluminum Alloy
- Insulation level:** Class B
- Working temperature:** -10~70°C
- Weight:** 2400g

DIMENSION (mm)



Model	Voltage (V)	Current (A)	Speed (RPM)	Air Pressure (mmH2O)	Air Volume (CFM)	Noise (dB)
LK28080H12B	12	8.0	2600	30.6	996.0	66.7
LK28080H24B	24	5.0	2800			
LK28080M24B	24	4.0	2600	30.6	1235.1	66.7
LK28080L24B	24	3.0	2200			
LK28080H48B	48	2.0	3000	30.6	1422.2	70.3
LK28080M48B	48	1.50	2800			
LK28080L48B	48	1.20	2600			

CENTRIFUGAL FAN SERIES

Dual ball bearing 360-degree outlet along the circle

Big air flow, fast heat dissipation

Integrated injection molding, high efficiency, energy saving, long life

Insulation class: F (IEC61858)



EXTERNAL SIZE 133x41 mm

Motor structure: outer rotor motor 72mm

Safety: thermal protection

Operating system: high-precision double ball bearing

Withstand voltage: AC 1800V, at 0.5mA, 50/60Hz

Allowable ambient temperature and humidity: -25~+75°C
10%~+80%F

Insulation level: F (IEC61858 standard)

IP level: IP44

Weight: 0.66Kg

Material: Fan blade: PA nylon, 7 blades
Bearing: NSK ball bearing
Motor life: 60000 hours at 25°C



IP44

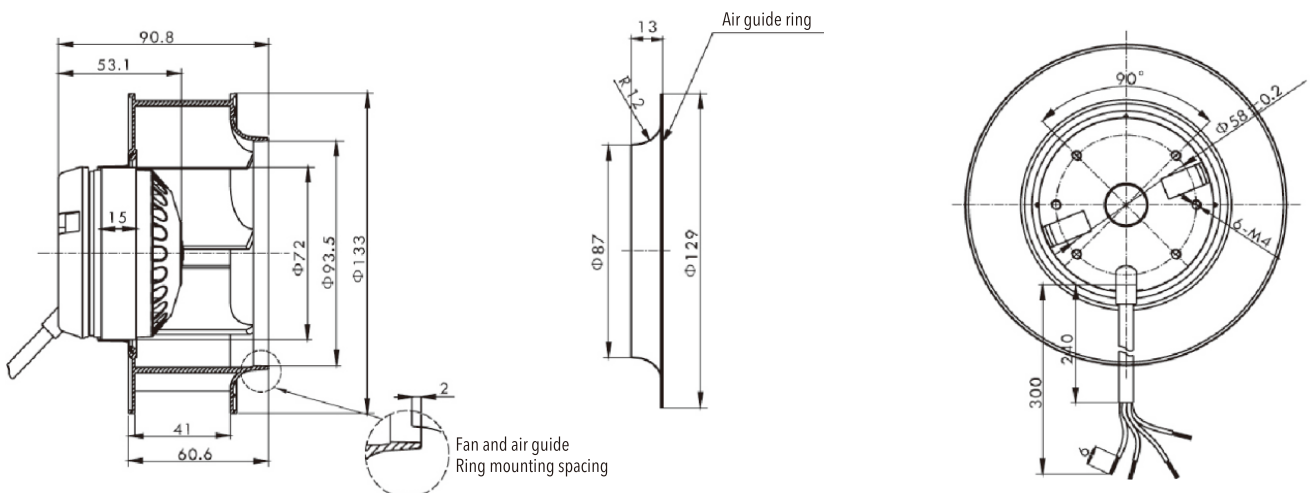
CE

-25 +75
°C

SPECIFICATION

Model	Voltage	Frequency	Current	Input power	Speed	Air volume		Noise
						(CFM)	(m ³ /h)	
C2S-133.41A	115	50	0.22	49	2740	171	290	56
		60	0.25	53	3230	203	345	60
C2E-133.41A	230	50	0.11	24	2750	171	290	56
		60	0.13	27	3200	203	345	60
C2S-133.41C	115	50	0.51	38	2650	162	275	55
		60	0.42	35	3100	195	331	68
C2E-133.41C	230	50	0.25	36	2650	162	275	55
		60	0.20	34	3100	195	331	68

DIMENSION (mm)



EXTERNAL SIZE 175x42mm
Motor structure: outer rotor motor 72mm

Safety: thermal protection

Operating system: high-precision double ball bearing

Withstand voltage: AC 1800V, at 0.5mA, 50/60Hz

Allowable ambient temperature and humidity: -25~+75°C
10%~+80%F

Insulation level: F (IEC61858 standard)

IP level: IP44

Weight: 0.85Kg

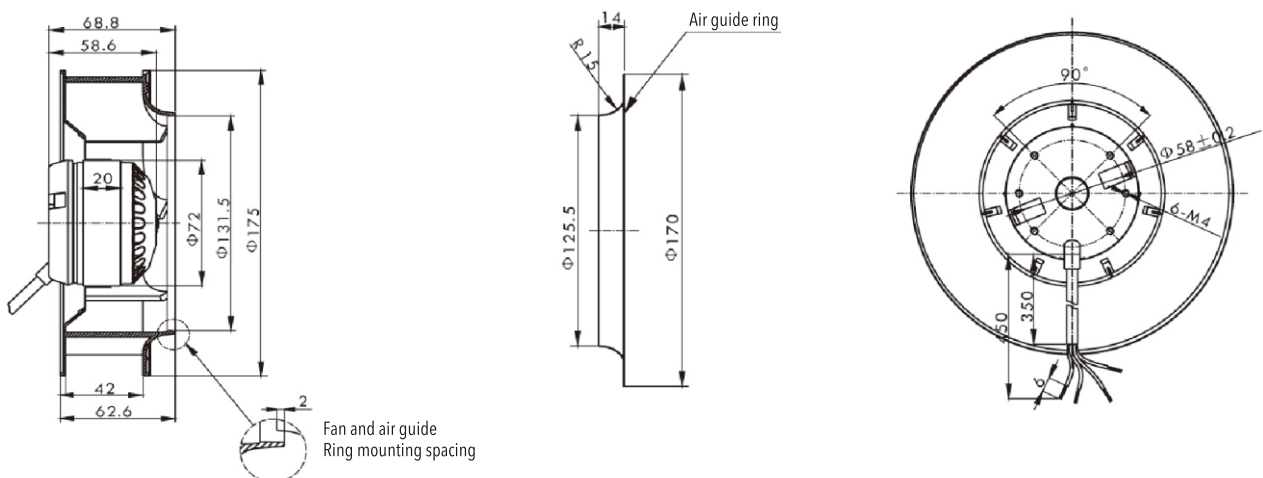
Material: Fan blade: PA nylon, 7 blades

Bearing: NSK ball bearing

Motor life: 60000 hours at 25°C


SPECIFICATION

Model	Voltage	Frequency	Current	Input power	Speed	Air volume		Noise
						(CFM)	(m ³ /h)	
C2S-175.42B	115	50	0.50	50	2600	289	490	63
		60	0.46	52	3000	336	570	69
C2E-175.42B	230	50	0.25	49	2600	289	490	63
		60	0.23	51	3000	336	570	68
C2S-175.42C	115	50	0.68	54	2400	254	430	61
		60	0.62	52	2500	265	450	62
C2E-175.42C	230	50	0.34	55	2400	254	430	61
		60	0.30	53	2500	265	450	62

DIMENSION (mm)


EXTERNAL SIZE 190x45mm

Motor structure: outer rotor motor 92mm

Safety: thermal protection

Operating system: high-precision double ball bearing

Withstand voltage: AC 1800V, at 0.5mA, 50/60Hz

Allowable ambient temperature and humidity: -25~+75°C
10%~+80%F

Insulation level: F (IEC61858 standard)

IP level: IP44

Weight: 1.27Kg

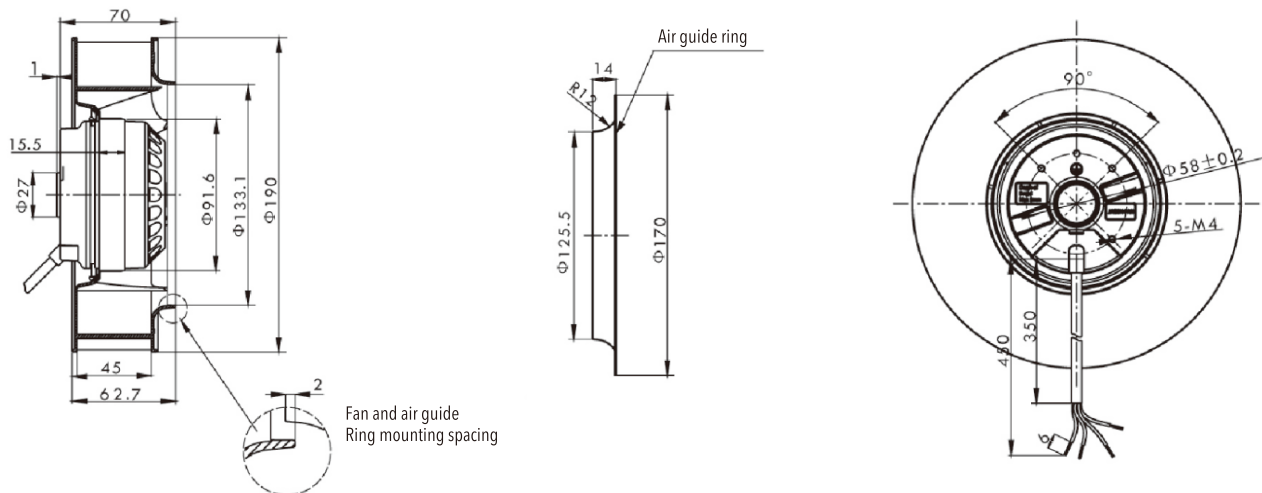
Material: Fan blade: PA nylon, 7 blades
Bearing: NSK ball bearing
Motor life: 60000 hours at 25°C



SPECIFICATION

Model	Voltage	Frequency	Current	Input power	Speed	Air volume		Noise
						(CFM)	(m ³ /h)	
C2S-190.45A	115	50	0.62	60	2500	336	570	62
		60	0.65	70	2700	366	620	64
C2E-190.45A	230	50	0.28	65	2500	336	570	62
		60	0.33	75	2700	366	620	64
C2D-190.45A	400	50	0.17	61	2500	336	570	62
		60	0.19	72	2700	366	620	64
C4E-190.45A	230	50	0.13	27	1400	182	310	48
		60	0.12	27	1600	212	360	51

DIMENSION (mm)



EXTERNAL SIZE 220x44mm
Motor structure: outer rotor motor 92mm

Safety: thermal protection

Operating system: high-precision double ball bearing

Withstand voltage: AC 1800V, at 0.5mA, 50/60Hz

Allowable ambient temperature and humidity: -25~+75°C
10%~+80%°F

Insulation level: F (IEC61858 standard)

IP level: IP44

Weight: 1.80Kg

Material: Fan blade: PA nylon, 7 blades

Bearing: NSK ball bearing

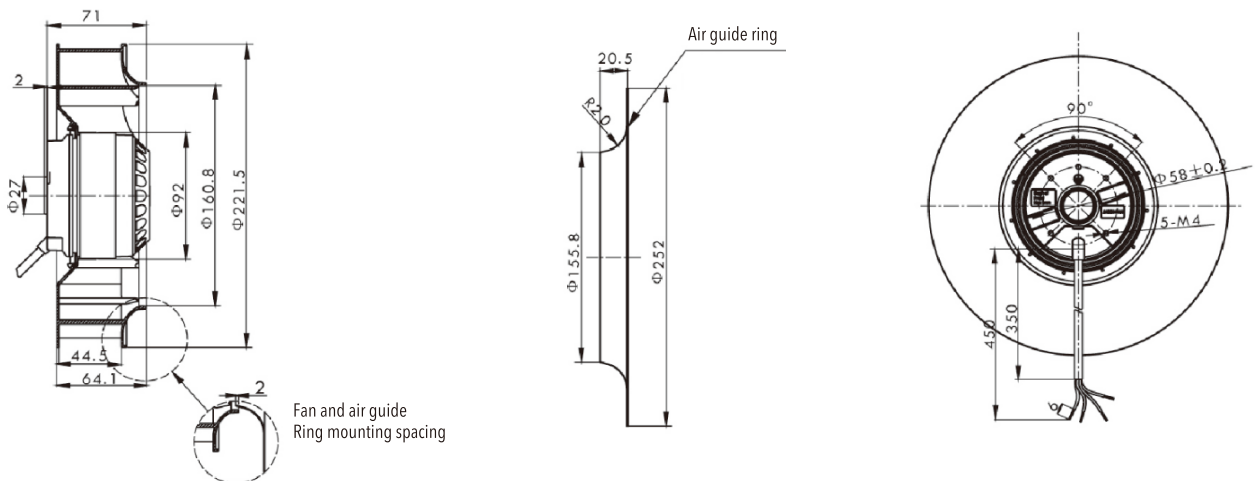
Motor life: 60000 hours at 25°C


IP44
CE

 -25 +75
°C

SPECIFICATION

Model	Voltage	Frequency	Current	Input power	Speed	Airvolume		Noise
						(CFM)	(m ³ /h)	
C2S-220.44B	115	50	0.95	98	2600	528	896	72
		60	1.10	120	2950	590	1000	74
C2E-220.44B	230	50	0.46	98	2580	525	890	72
		60	0.51	118	2950	590	1000	74
C2D-220.44B	400	50	0.29	100	2600	528	896	72
		60	0.35	125	3000	600	1020	74
C4E-220.44B	230	50	0.23	48	1450	295	500	62
		60	0.24	58	1650	336	570	65

DIMENSION (mm)


EXTERNAL SIZE 225x63mm

Motor structure: outer rotor motor 92mm

Safety: thermal protection

Operating system: high-precision double ball bearing

Withstand voltage: AC 1800V, at 0.5mA, 50/60Hz

Allowable ambient temperature and humidity: -25~+75°C
10%~+80%F

Insulation level: F (IEC61858 standard)

IP level: IP44

Weight: 2.30Kg

Material: Fan blade: PA nylon, 7 blades
Bearing: NSK ball bearing
Motor life: 60000 hours at 25°C



IP44

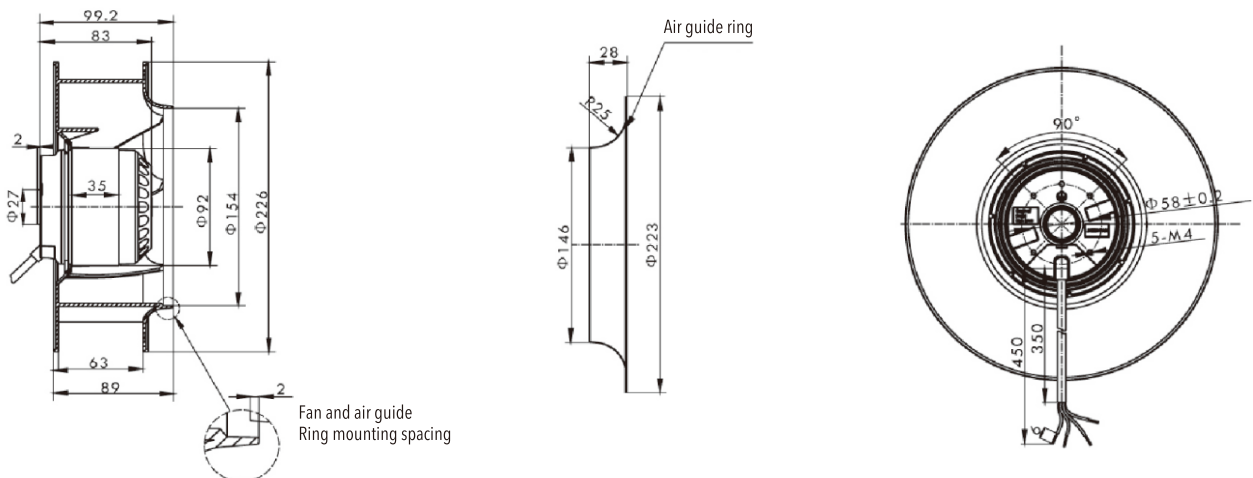
CE

-25 +75
°C

SPECIFICATION

Model	Voltage	Frequency	Current	Input power	Speed	Air volume		Noise
						(CFM)	(m ³ /h)	
C2S-225.63C	115	50	1.18	130	2650	708	1200	69
		60	1.53	168	2950	791	1340	71
C2E-225.63C	230	50	0.62	135	2650	708	1200	69
		60	0.77	170	2950	791	1340	71
C2D-225.63C	400	50	0.34	130	2500	708	1200	69
		60	0.44	170	2700	791	1340	71
C4E-225.63C	230	50	0.30	65	1480	419	710	61
		60	0.37	80	1650	483	818	63

DIMENSION (mm)



EXTERNAL SIZE 250x56mm

Motor structure: outer rotor motor 72mm

Safety: thermal protection

Operating system: high-precision double ball bearing

Withstand voltage: AC 1800V, at 0.5mA, 50/60Hz

Allowable ambient temperature and humidity: -25~+75°C
10%~+80%°F

Insulation level: F (IEC61858 standard)

IP level: IP44

Weight: 2.90Kg

Material: Fan blade: PA nylon, 7 blades

Bearing: NSK ball bearing

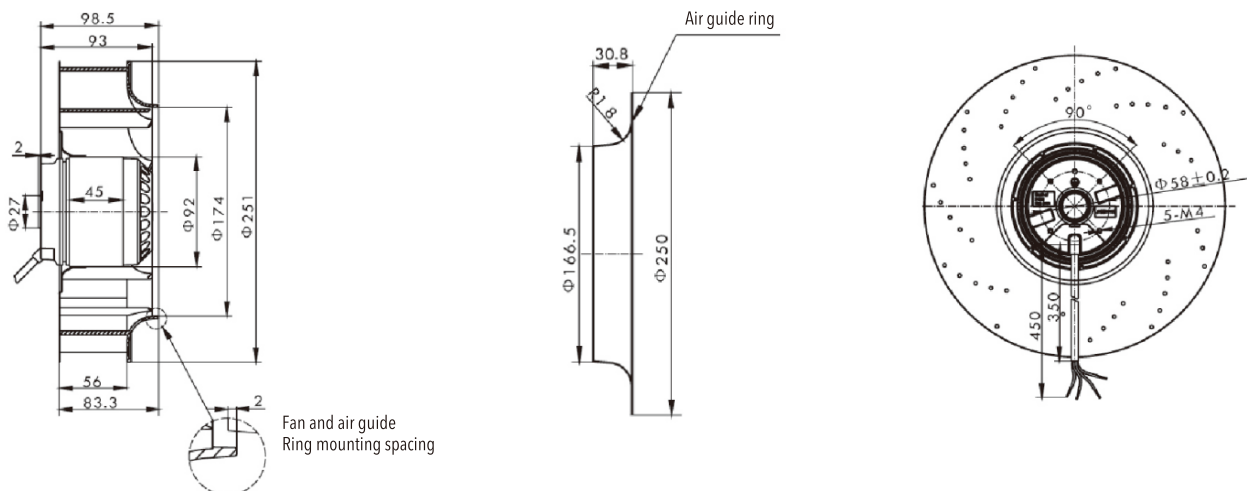
Motor life: 60000 hours at 25°C



SPECIFICATION

Model	Voltage	Frequency	Current	Input power	Speed	Air volume		Noise
						(CFM)	(m ³ /h)	
C2S-250.56A	115	50	1.38	155	2600	856	1450	74
		60	1.90	208	2800	897	1520	76
C2E-250.56A	230	50	0.70	152	2550	856	1450	74
		60	0.93	205	2750	897	1520	76
C4S-250.56B	115	50	0.64	70	1400	478	810	61
		60	0.81	89	1600	548	930	64
C4E-250.56B	230	50	0.32	70	1450	484	820	61
		60	0.39	88	1650	555	940	64

DIMENSION (mm)



EXTERNAL SIZE 280x51 mm

Motor structure: outer rotor motor 92mm

Safety: thermal protection

Operating system: high-precision double ball bearing

Withstand voltage: AC 1800V, at 0.5mA, 50/60Hz

Allowable ambient temperature and humidity: -25~+75°C
10%~+80%F

Insulation level: F (IEC61858 standard)

IP level: IP44

Weight: 1.27Kg

Material: Fan blade: PA nylon, 7 blades
Bearing: NSK ball bearing
Motor life: 60000 hours at 25°C



IP44

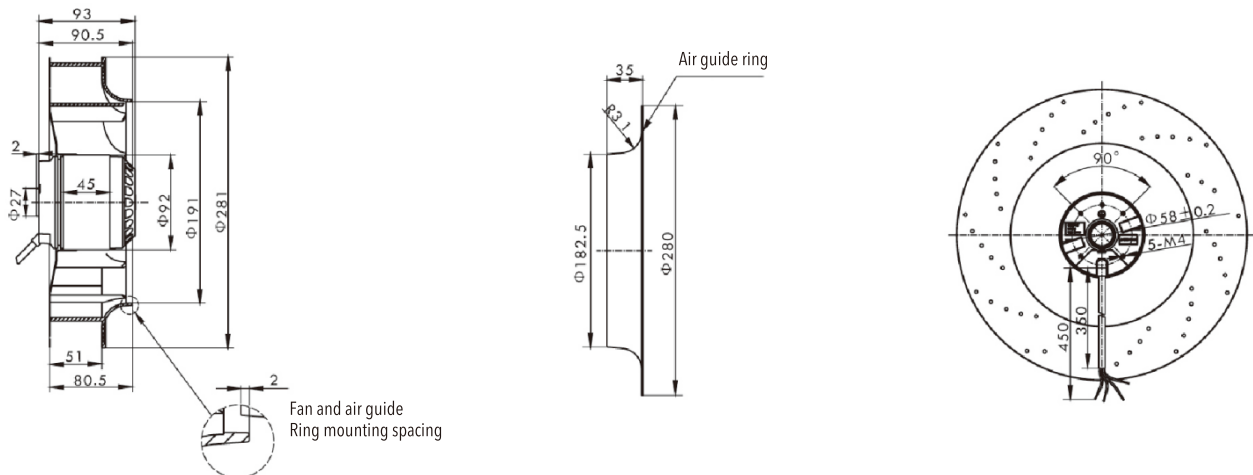
CE

-25 +75
°C

SPECIFICATION

Model	Voltage (V)	Frequency (Hz)	Current (A)	Input power (W)	Speed (RPM)	Air volume		Noise (dB)
						(CFM)	(m³/h)	
C2E-280.51C	230	50	1.03	230	2550	1174	1990	72
		60	1.30	305	2700	1245	2110	75
C4E-280.51C	230	50	0.48	110	1400	649	1100	63
		60	0.64	145	1650	760	1290	65
C4S-280.51C	115	50	0.98	115	1400	649	1100	63
		60	1.27	145	1650	760	1290	65

DIMENSION (mm)



EXTERNAL SIZE 316x102mm

Motor structure: outer rotor motor 102mm

Safety: thermal protection

Operating system: high-precision double ball bearing

Withstand voltage: AC 1800V, at 0.5mA, 50/60Hz

Allowable ambient temperature and humidity: -25~+75°C
10%~+80%F

Insulation level: F (IEC61858 standard)

IP level: IP44

Weight: 3.80Kg

Material: Fan blade: PA nylon, 7 blades

Bearing: NSK ball bearing

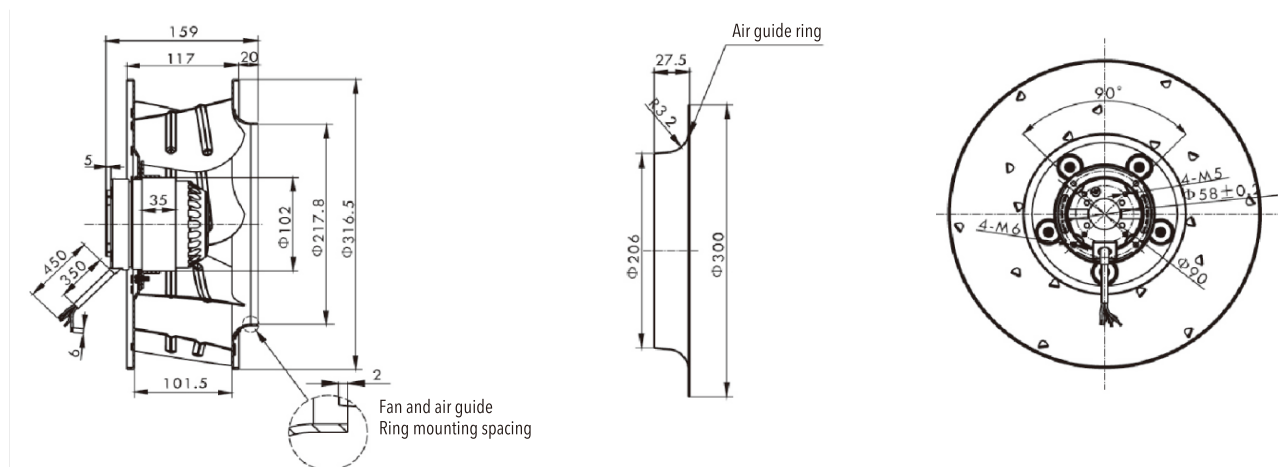
Motor life: 60000 hours at 25°C



SPECIFICATION

Model	Voltage	Frequency	Current	Input power	Speed	Airvolume		Noise
						(CFM)	(m ³ /h)	
C4E-315.101	230	50	0.50	110	1360	1250	2120	59
		60	0.65	150	1540	1390	2370	62
C4ED-315.101	230/400	50	0.62/0.33	136	1380	1250	2120	59
		60	0.58/0.32	137	1600	1390	2370	62
C4S-315.101	115	50	1.18	130	1370	1250	2120	59
		60	1.52	170	1550	1390	2370	62
C6E-315.101	230	50	0.32	68	940	826	1400	48
		60	0.37	83	1100	968	1640	54

DIMENSION (mm)



EXTERNAL SIZE 355x60mm

Motor structure: outer rotor motor 102mm

Safety: thermal protection

Operating system: high-precision double ball bearing

Withstand voltage: AC 1800V, at 0.5mA, 50/60Hz

Allowable ambient temperature and humidity: -25~+75°C
10%~+80%F

Insulation level: F (IEC61858 standard)

IP level: IP44

Weight: 3.90Kg

Material: Fan blade: PA nylon, 7 blades
Bearing: NSK ball bearing
Motor life: 60000 hours at 25°C



IP44

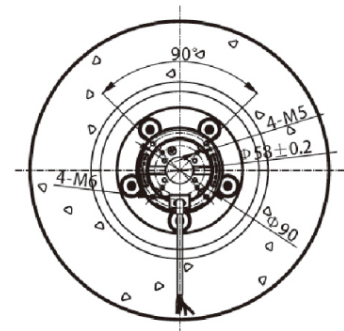
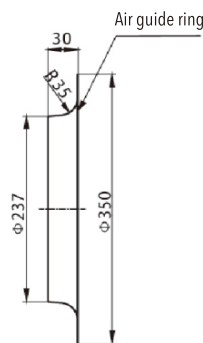
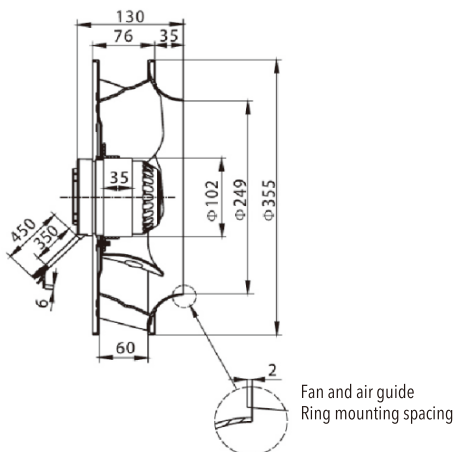
CE

-25 +75
°C

SPECIFICATION

Model	Voltage (V)	Frequency (Hz)	Current (A)	Input power (W)	Speed (RPM)	Air volume		Noise (dB)
						(CFM)	(m ³ /h)	
C4E-355.60	230	50	0.46	105	1400	1091	1850	63
		60	0.63	145	1600	1247	2115	66
C4ED-355.60	230/400	50	0.62/0.33	136	1400	1091	1850	63
		60	0.58/0.32	137	1600	1247	2115	66
C6E-355.60	230	50	0.32	68	940	649	1240	45
		60	1.37	83	1100	760	1450	52

DIMENSION (mm)



EXTERNAL SIZE 355x95mm

Motor structure: outer rotor motor 102mm

Safety: thermal protection

Operating system: high-precision double ball bearing

Withstand voltage: AC 1800V, at 0.5mA, 50/60Hz

Allowable ambient temperature and humidity: -25~+75°C
10%~+80%°F

Insulation level: F (IEC61858 standard)

IP level: IP44

Weight: 4.70Kg

Material: Fan blade: PA nylon, 7 blades

Bearing: NSK ball bearing

Motor life: 60000 hours at 25°C



SPECIFICATION

Model	Voltage	Frequency	Current	Input power	Speed	Airvolume		Noise
						(CFM)	(m³/h)	
C4E-355.95	230	50	0.80	175	1400	1522	2580	65
		60	1.00	250	1600	1735	2940	69
C4ED-355.95	230/400	50	0.76/0.44	166	1400	1522	2580	65
		60	0.75/0.43	225	1600	1735	2940	69
C6E-355.95	230	50	0.29	65	910	1003	1700	54
		60	0.37	85	1050	1115	1890	57

DIMENSION (mm)

