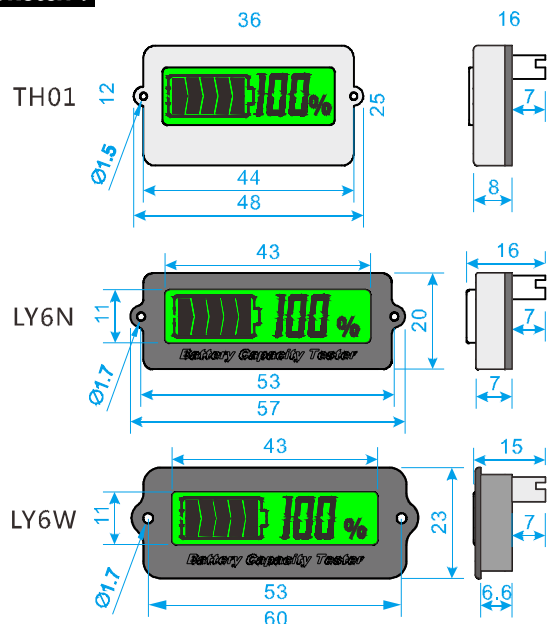


Universal Capacity Indicator

—TH01/LY6N/LY6W—

• Sketch :



• Overviews :

★ TH01/LY6 is designed to test the capacity of battery , and display them with intuitive battery symbol and percentage. Users can know the state of battery in time. It is suitable for ups , instruments ,measuring equipments ,cleaning machines ,balance cars , e-bike and so on.

• Application :

Lead-acid battery : 12V , 24V , 36V , 48V;

Lithium-ion battery : 3cells ~ 15cells ;

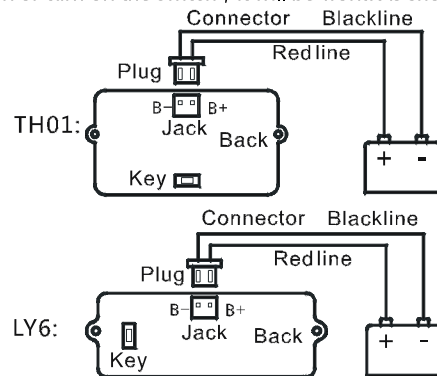
Note : Other specifications (1cell , 2cells and more than 15 cells) should be customized , and the specifications can't be adjusted.

• Basic parameters :

Parameter	Min	Type	Max	Unit
Working voltage	8.0		63.0	V
Working current		3.0	5.0	A
Working dissipation			5.0	mA
Temperature range	0	20	40	°C
Weight	TH01:15/LY6:13			g
Size	59×27×17			mm

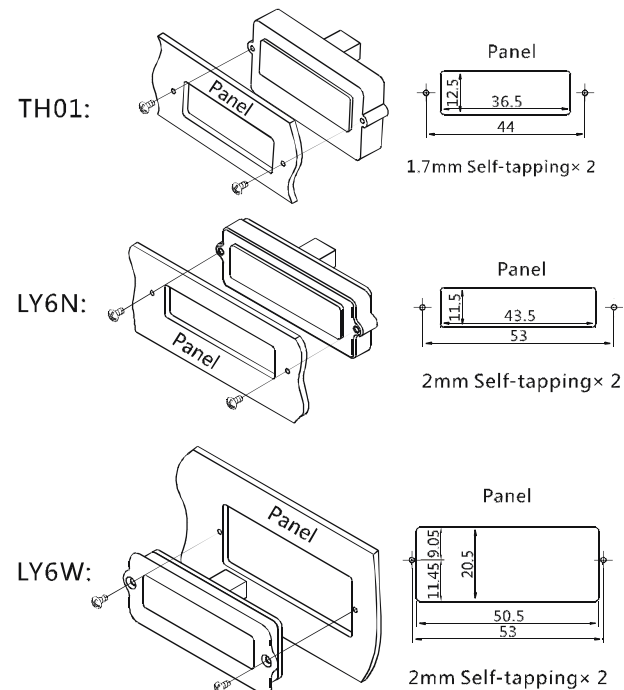
• Connect :

★ The indicator provides a connector consists of plug , black line and red line. Connect the black line to the negative , the red line to the positive , the plug to the socket of indicator. Then , power on or turn on the switch , it will be work. As shown below:



• Install :

★ **TH01/LY6N:** First , open one rectangular orifice and two screw holes on the panel of the equipment. Then install the indicator from the back of the panel , and put the prominent LCD in the rectangular orifice. Finally , fix the indicator with tapping screws from the front of the panel. As shown below:



★ **LY6W:** First , open one rectangular orifice and two screw holes on the panel of the equipment. Then install the indicator from the front of the panel ,and put the shell of indicator into the rectangular orifice. Finally , fix the indicator with tapping screws from the front of the panel. As shown above:

• Specification adjustment :

★ Press and hold the down key on the back when turn off , then power on. LCD displays the present specification. Use the down key and up key to adjust specifications , select suitable specification you need ,then turn off and power on. The indicator will be work normally (correspond code as below form).

Lithium-ion	Code	Lead-acid	Code
3 cells	3 C	12V	1 P
4 cells	4 C	24V	2 P
5 cells	5 C	36V	3 P
6 cells	6 C	48V	4 P
7 cells	7 C		
8 cells	8 C		
9 cells	9 C		
10 cells	10 C		
11 cells	11 C		
12 cells	12 C		
13 cells	13 C		
14 cells	14 C		
15 cells	15 C		

• Accessory :

★ One connector with two lines , 20mm in length. If it is short , please lengthen it by yourself.

★ **TH01:** M1.7×5mm self-tapping screw×4 (round head×2 , countersunk head×2).

★ **LY6N/LY6W:** M2.0×6mm self-tapping screw×4 (round head×2 , countersunk head×2).

• Attention and warranty :

★ The tester cannot be exposed in the sun for a long time. When using or storing , please keep the temperature higher than -20°C and lower than 60°C , otherwise it will shorten the life of LCD.

★ Within one year ,any fault caused by non-artificial reason we should maintain it freely.

Our products will keep upgrading , if the product you bought is different with this instruction , please take the material object or website as the standard.