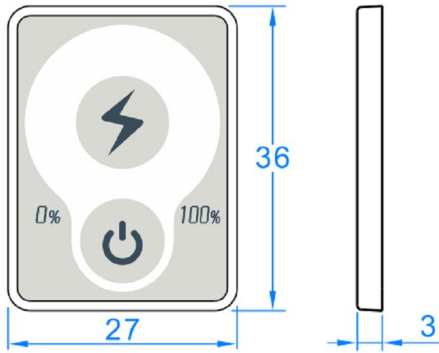


# TD16 Ultrathin Battery Indicator

## —Instruction—

### • Sketch :



### • Application range :

★ TD16 is a kind of voltage-type battery indicator, which can test the remaining capacity of battery and display different colors of LED. It is suitable for mobile and portable equipments, electromobile, balance cars, cleaning machines, instruments, measuring equipments and so on.

### • Applicable specification :

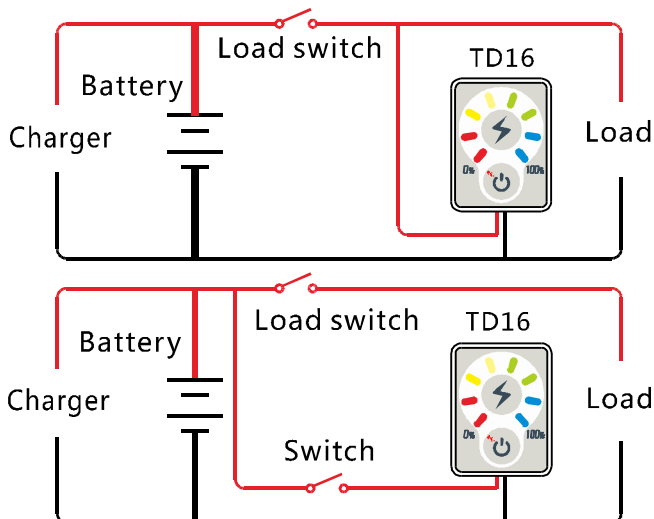
★ TD16 is suitable for Lead-acid batteries of 12V and 24V, as well as 3 series and 7 series of lithium batteries.

### • Basic parameters :

Parameter	Min	Type	Max	Unit
Working voltage	10.0		28.0	V
Working dissipation	15.0		20.0	mA
Capacity accuracy		±5.0		%
Temperature range	0	20	35	°C
Weight		3.8		g
Size		27×36×3		mm

### • Connection :

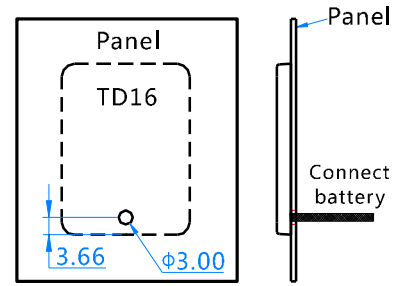
★ As shown below, the red line of indicator connect to positive, the black line connect to negative.



### • Install :

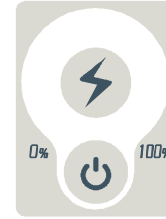
★ You can paste TD16 on the equipment because of

the gums on the back of TD16. And if you want to hide the line, please refer to below:

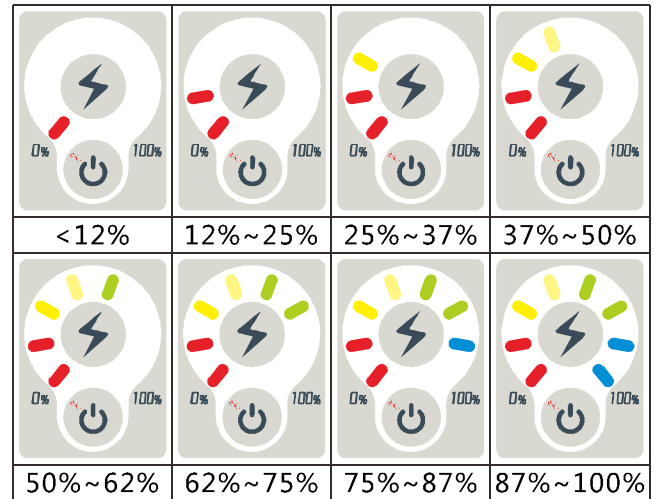


### • Interface description :

★ When TD16 is power off, as shown below:



★ When TD16 is power on, it can display different colors of LED according to the remaining capacity. As shown below:



### • Attention and warranty :

★ This product is non-waterproof ; Please don't use it for a long time when temperature is less than -20°C or higher than 60°C.

★ Within one year, any fault caused by non-artificial reason we should maintain it freely.

Our products will keep upgrading, if the product you bought is different with this instruction, please take the material object or website as the standard.