

QY-P8133



Industrial Panel PC



Product Features:

- Support Windows / Linux System
- Support install WIFI、 4G 、 5G module
- Support expand more I/O interfaces
- Support 6*serial port,4*RS-232+2*RS-485 / 422 / 232
- Power:DC 12-36V

Specification:

QY-P8133		
CPU	J1900 / J6412 i3-4010U、 i3-7100U i5-4260U、 i5-6200U、 i5-7200U、 i5-8260U、 i5-10210U i7-4650U、 i7-7500U、 i7-10610U	
RAM	2*DDR III / DDR IIII	
SSD	1*MSATA	
	1*SATA	
	Minipcie	1*Minipcie for 4G or wifi module
Show	HDMI	Support 1920*1200
I/O Interfaces	USB	4*USB 3.0 J1900:2*USB 3.0+2*USB 2.0
	Network Interfaces	2*RJ-45
	Serial Port	4*RS-232+2*RS-485/422 / 232
	Audio	RTLALC662 audio controller LINE-out port
	Expansion card slot	Multifunctional expansion cards

LCD Touch Screen	Screen	13.3 inch TFT LED		
	Resolution	1920*1080		
	Brightness	350cd/m2		
	Contrast	800:1		
	Largest Colorful	16M		
	Type	Capacitive	Resistive	
Structural parameters	Light transmittance	More than 95%	More than 95%	
	Touch Life	50 million times	35 million times	
	Response Time	<5ms	<5ms	
	High temperature test	85°C/1000hrs		
	Constant temperature and humidity test	85°C/90%RH/1000hrs		
	Panel cabinet	The casing is molded by aluminum alloy mold		
Box	Power	DC 12-36V		
	Total Size	214mm*343.5mm*68mm		
	Installation method	Flush mount and wall mount (VESA)		
	Power	20W		
Operating temperature		-20 ~ 60°C		
Storage temperature		-30 ~ 80°C		
Correlated humidity		10 ~ 95%@40°C		
Front panel protection		IP65 water and dust proof		

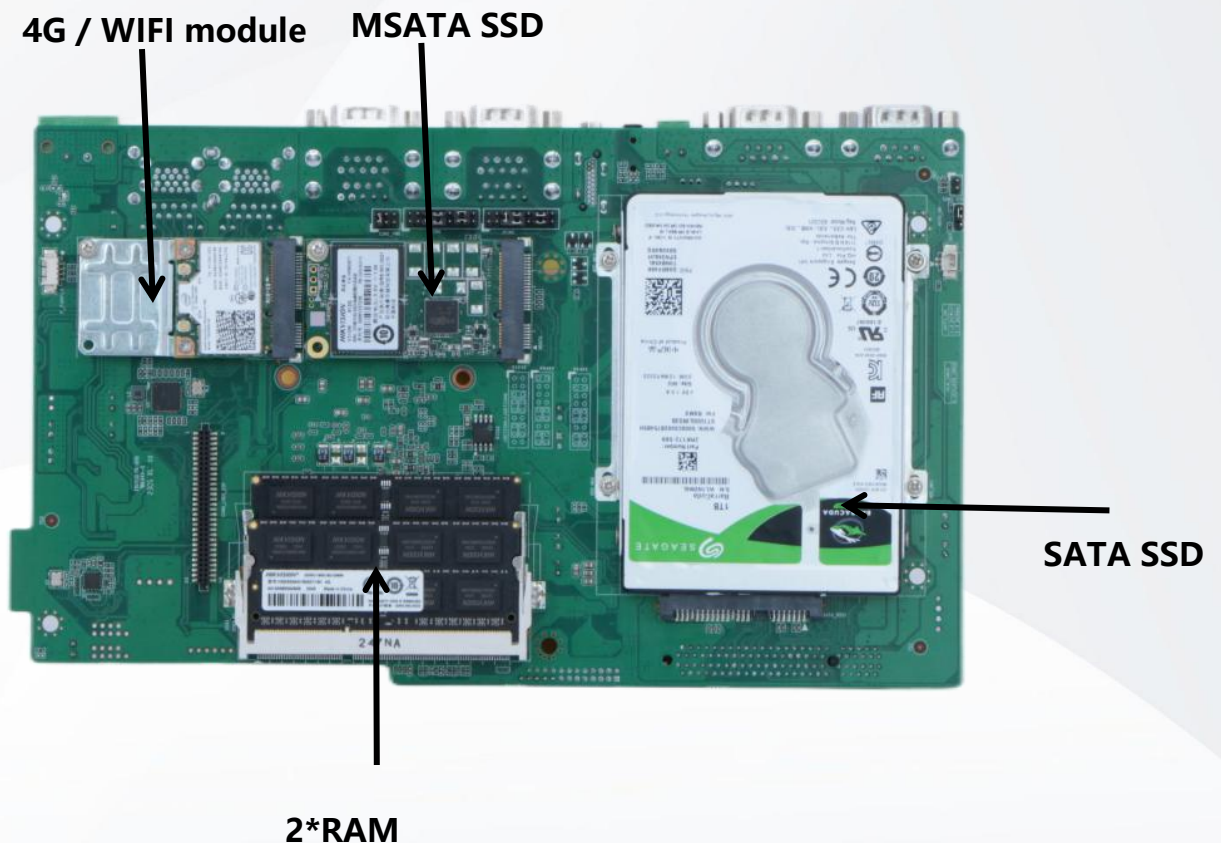
Expansion card slot:



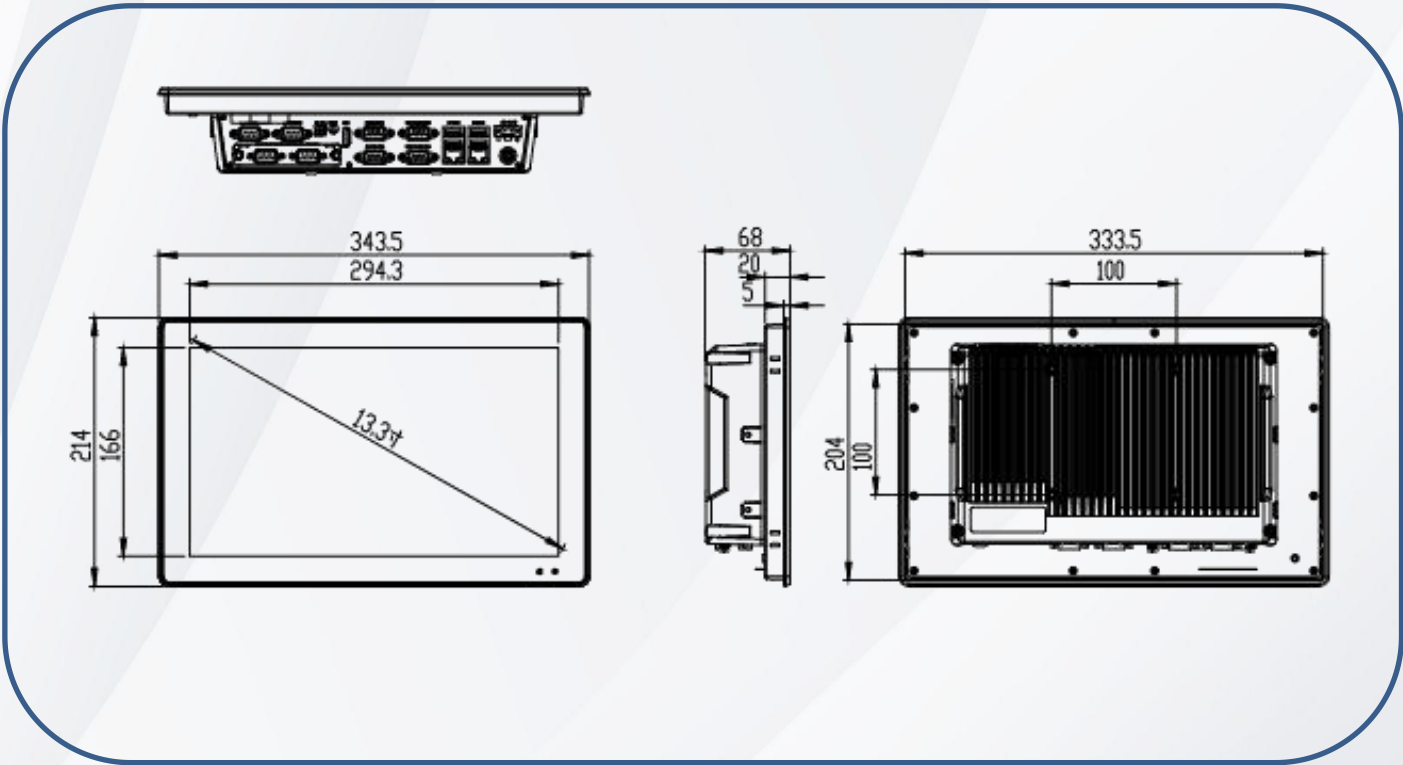
Name	Configuration
Network module 1	2*RJ-45 card
Network module 2	4*RJ-45 card (support POE)
USB	4*USB 3.0 J1900 unsupport
MINIPCIE Card	CAN card / M.2 NVME SSD / 5G module
Serial port module 1	2*RS-485 / 422 / 232 (DB9)
Serial port module 2	4*RS-232+2*RS-485 / 422 / 232 (phoenix port)
Battery power management module	Power-on support delayed power on, power off automatically when power off delay
Pull-out HDD	Pull-out hard disk slot J1900 unsupport and without HDD
GPIO	14 road GPIO (7GPI+7GPO)

Optional Fitting:

Model	Configuration
CPU	J1900 / J6412 i3-4010U、i3-7100U i5-4260U、i5-6200U、i5-7200U、i5-8260U、i5-10210U i7-4650U、i7-7500U、i7-10610U
RAM	2*DDR III (4GB / 8GB)
	2*DDR IIII (4GB / 8GB / 16GB)
SSD	MSATA:32GB / 64GB / 128 GB / 256GB / 512GB
	SATA:120GB / 128GB / 240GB / 256GB / 480GB 512GB / 960 GB / 1TB
WIFI	7260an / 7260ac / AX210
4G module	4G+GPS



Size Drawing:



Interfaces :

