

QY-P6084-HT



Industrial Panel PC



Product Feature:

- Support Windows / Linux system
- CPU: j1900 / i5 or i7 - 4 to 10 gen
- 8.4 inch industrial control LCD screen, capacitive touch screen supports ten-point touch
- Support 4G / 5G / wifi module
- The whole machine adopts M12 aviation I/O interface
- Rugged structure, fanless design, IP66 waterproof and dustproof rating
- 9-36V wide voltage DC power input
- A special computer for the vehicle, with earthquake resistance, high temperature resistance, dust resistance, and support for integration with automotive

electronic circuits
Specification:

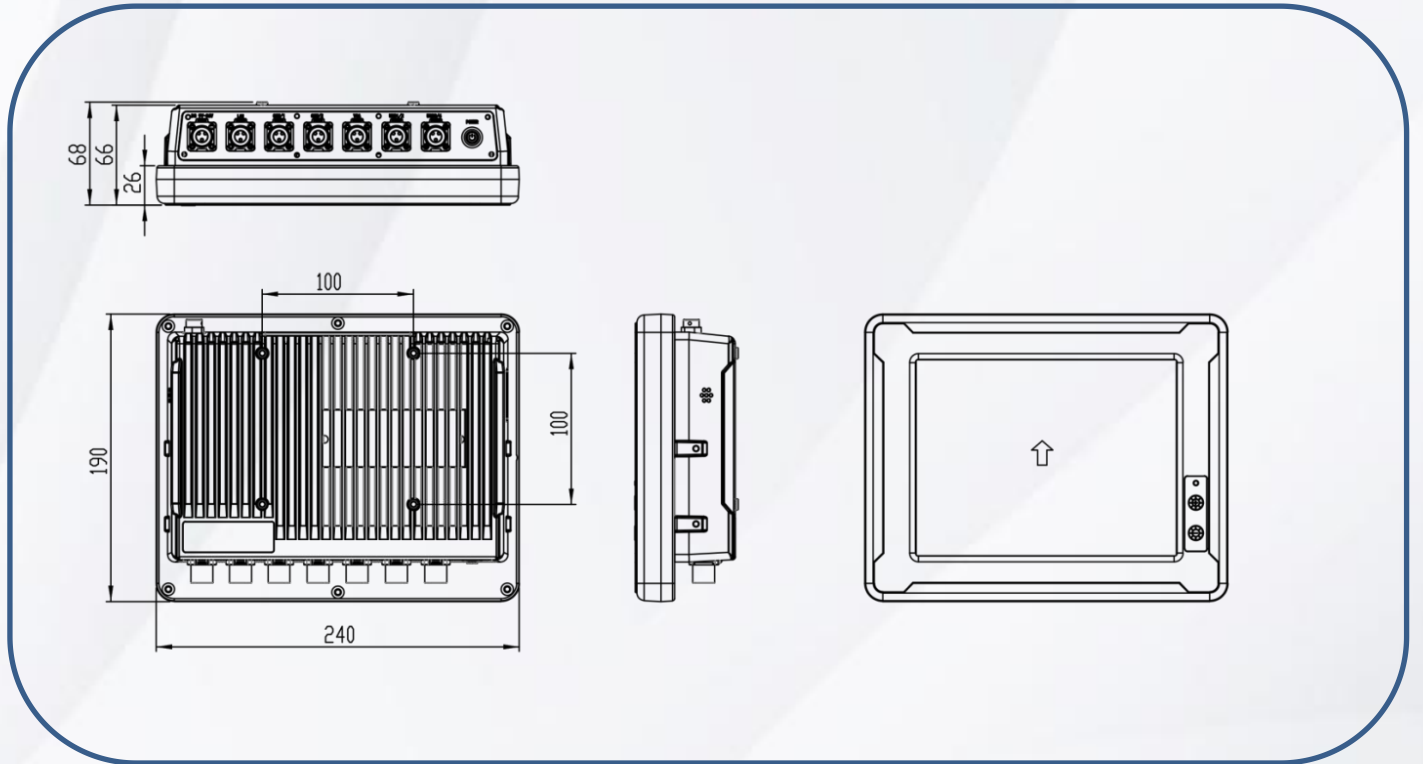
QY-P6084-HT		
CPU	j1900 i5-4260U / i5-6200U / i5-7200U / i5-8260U / i5-10210U i7: i7-7500U / i7-10610U	
RAM	DDR III / DDR IIII	
System	WIN7/8/10/11/LINUX	
SSD	MSATA	1*MSATA
	SATA	1*SATA
Front Panel Button	Brightness adjustment key/switch key	
Smart Switch	Gnition ON/OFF	Delay on/off: 10 seconds by default
I/O interface	USB	4*USB (aviation plug interface)
	Network Interface	2 RJ-45 (aviation plug interface)
	Serial port	2*RS-232+2*RS-485 / 422 / 232 (aviation plug interface)
	CAN	2*CAN (optional)

LED screen	Screen size	8.4 inch TFT LED	
	Resolution	800*600 / 1024*768	
	Brightness	350cd/m2	
	Contrast	800:1	
	Largest Colorful	16M	
Touch screen	Touch screen type	Capacitive	Resistive
	Light transmittance	95%	85%
	Touch life	50 million times	35 million times
	Response Time	<5ms	
	High temperature	85°C/1000hrs	
	Constant temperature and humidity	85°C/90%RH/1000hrs	
Box	Case	The casing is made of aluminum-magnesium alloy	
	Power	DC 9-36V	
	Size	240mm*190mm*68mm	
	Installation	VESA	
	Power	20W	
	Weight	2kg	
Operating temperature		-20 ~ 60°C	
Storage temperature		-30 ~ 80°C	
Correlated humidity		10 ~ 95%@40°C	
Vibration test		Running at 10G peak acceleration (11ms interval)	
		Random vibration test 5 ~ 500Hz, 1Grms	
Protection level		Whole machine IP66 level	

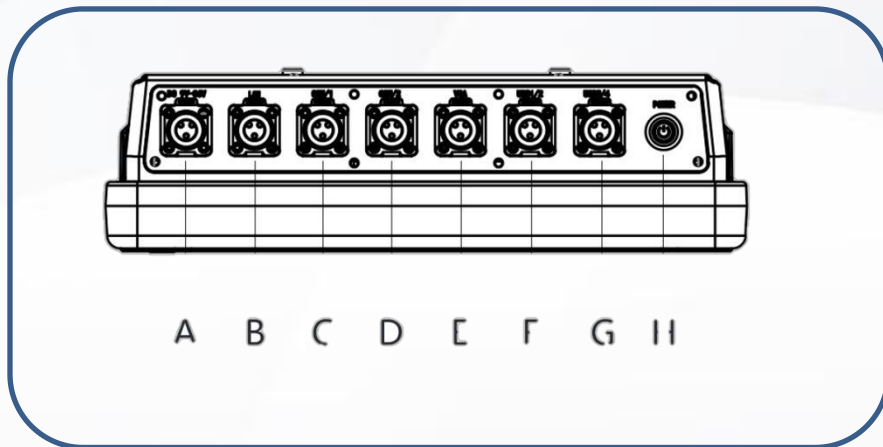
Optional Fitting:

Model	Configuration
CPU	J1900 i5: i5-4260U / i5-6200U / i5-7200U / i5-8260U / i5-10210U i7: i7-7500U / i7-10610U
RAM	1*DDR III (4GB / 8GB)
	1*DDR IIII (4GB / 8GB / 16GB)
SSD	MSATA:32GB / 64GB / 128 GB / 256GB / 512GB
	SATA:120GB / 128GB / 240GB / 256GB / 480GB 512GB / 960 GB / 1TB
WIFI	7260an / 7260ac / AX 210 (with Bluetooth function)
4G module	4G+GPS

Size Drawing:



Interfaces :



A:DC 9V 36V

B:LAN

C:COM/1

D:COM/2

E:VGA

F:USB1/2

G:USB3/4

H:POWER