

QY-B5800



Fanless Mini PC



Product Features:

- Support Windows and Linux System
- Support install WIFI, 4G and Wide Voltage module
- Support 6*Serial Port,4*RS-232+2*RS-232/422/485
- Power: DC 12V (Optional DC 9-36V)

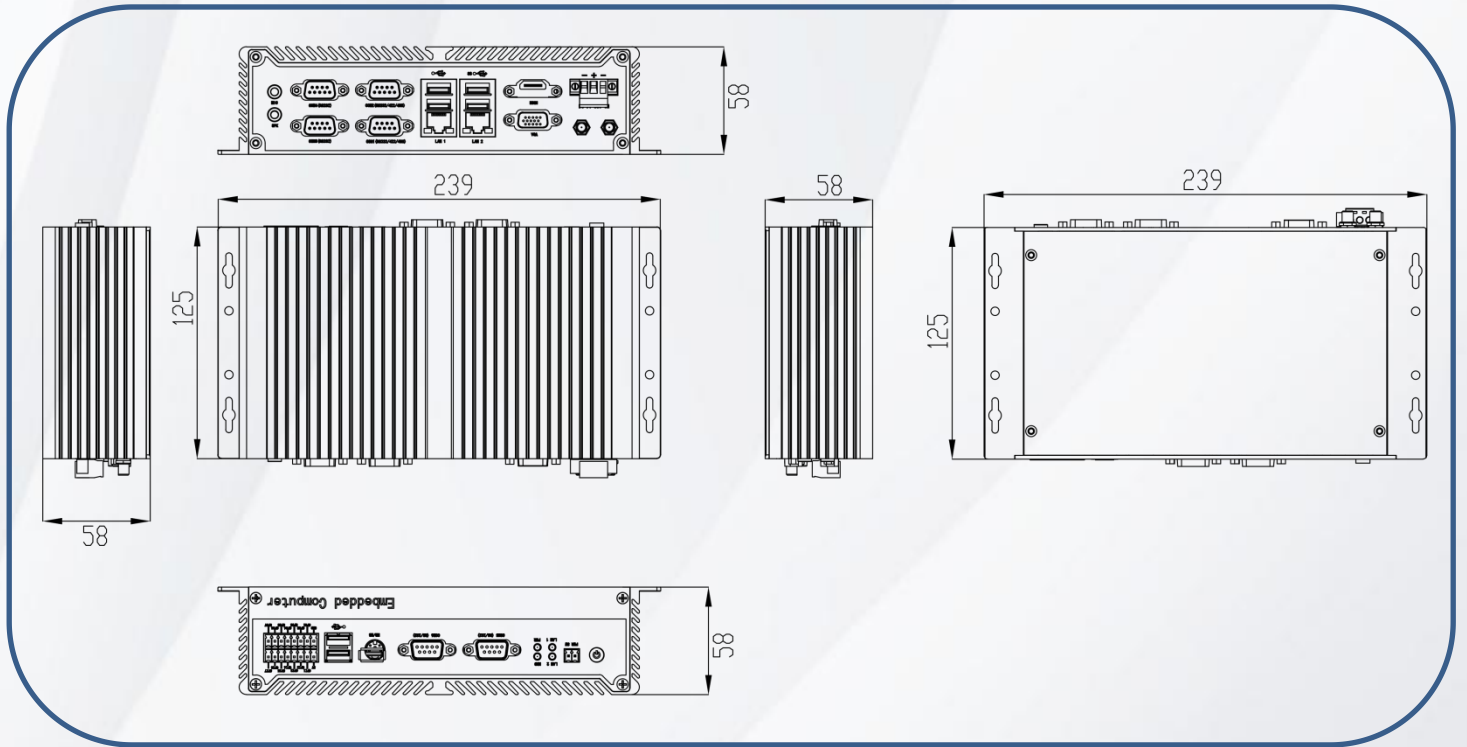
Specification:

QY-B5800	
CPU	J1900 / i3-4010U / i5-4260U
Memory	DDR III
System	Windows 7 / 10 and Linux
Storage	MSATA 1*MSATA
	SATA 1*SATA(2.5 inch)
	Minipcie 2*Minipcie for Wifi or 4G module
Show	HDMI Support 1920*1200
	VGA Support 1920*1200
I/O Interfaces	USB 8*USB
	Network Interfaces 2*RJ-45 (Realtek 8111 / intel 211)
	Serial Port 4*RS-232+2*RS-232/485/422
	Audio 1*MIC+1*SPK
	GPIO 14 Road GPIO
Light	1*POWER/1*HDDLED/2*LANLED
Watch Dog	Reset, programmable interval time
RTC	Support RTC
Working Temperature	-20°C~70°C
Storage Temperature	-40°C~80°C
Humidity	90% (20±50°C)
Power	DC 12V(Optional DC9~36V)
Size	239x126x58mm
Radiating	Aluminum-magnesium alloy heat dissipation cover, conduction heat dissipation

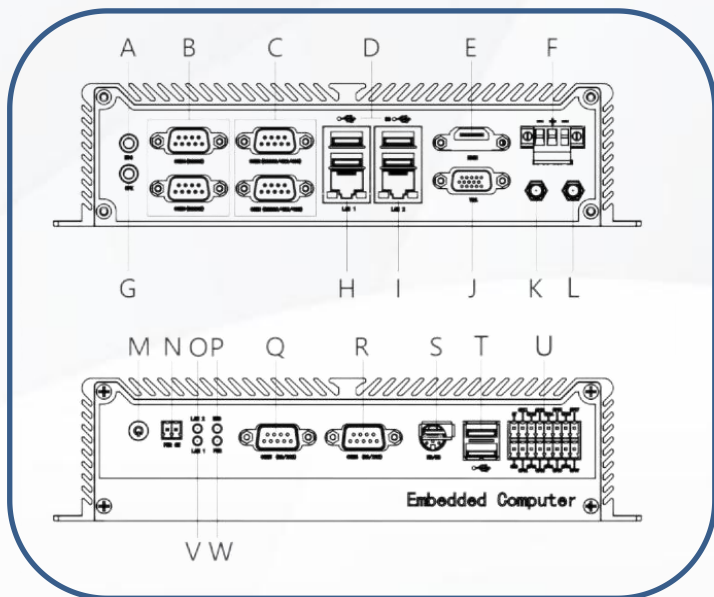
Optional Fitting:

Model	Specification
Memory	DDR III (4GB / 8GB)
Storage	MSATA:32GB / 64GB / 128 GB / 256GB / 512GB
	SATA:120GB / 128GB / 240GB / 256GB / 480GB 512GB / 960 GB / 1TB
WIFI	7260an / 7260 ac / AX210
4G module	4G+GPS
Wide voltage	DC 9-36V module

Size Drawing:



Interface Drawing:



A:MIC

B:COM3/4(RS232)

C:COM1/2(RS232/422/485)

D:USB

E:HDMI

F:DC 9-36V IN

G:SPK

H:LAN1

I:LAN2

J:VGA

K:WIFI

L:4G

M:POWER

N:PWR SW

O:LAN2

P:HDD

Q:COM5(RS232)

R:COM6(RS232)

S:USB