

Fanless Mini PC



Product Features:

- Support Windows and Linux System
- Support install WIFI、4G、PCI or PCIE expand card
- Support choose 8 or 12*Serial Port
- Power: All model are DC 9-36V

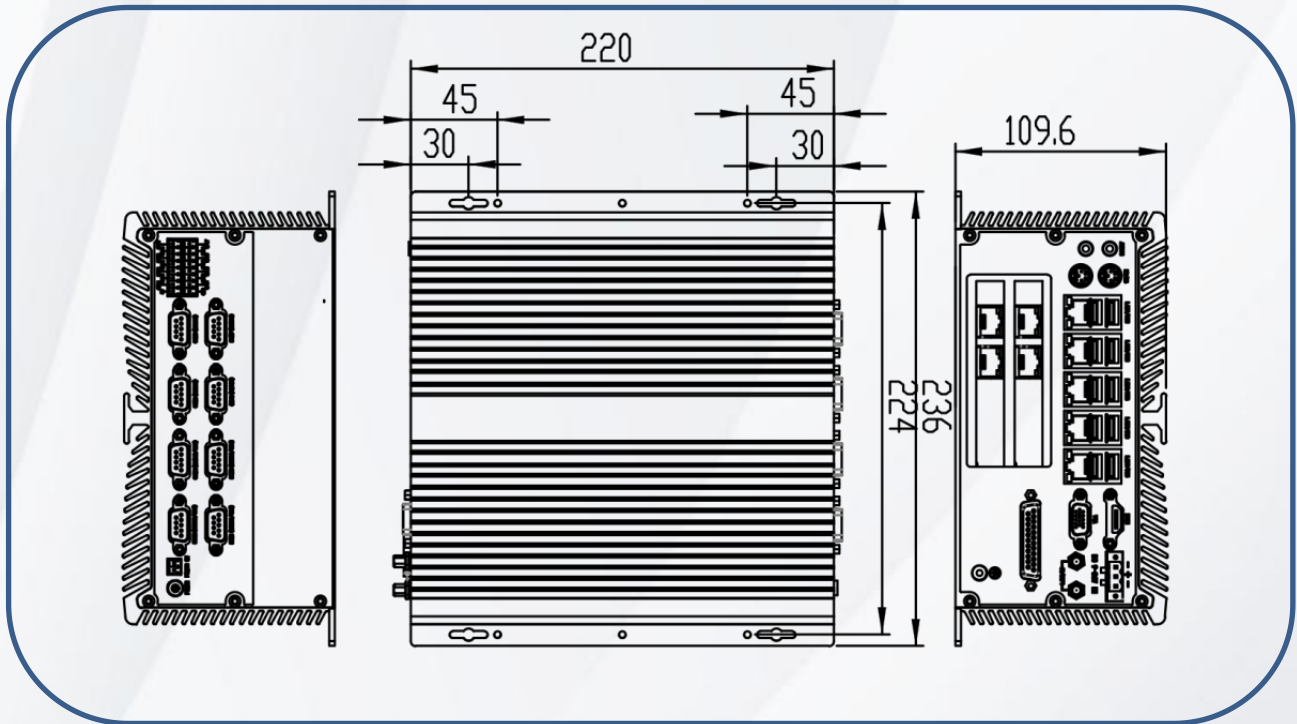
Specification:

QY-B5610			
CPU	i3-6157U、i5-7267U 、i7-7567U		
Memory	DDR IIII		
System	Windows 7 / 10 and Linux		
Storage	MSATA	1*MSATA	
	SATA	1*SATA (2.5 inch)	
Display port	HDMI	Support 1920*1200	
	VGA	Support 1920*1200	
I/O	Audio	1*LINEOUT	
	GPIO	14 Road GPIO	
	USB	10*USB	
	Serial Port	8 or 12*serial port	
		6*RS-232+2*RS-232/485/422 8*RS-232+4*RS-232/485/422	
	PS/2	1*PS/2	
	PCI/PCIE	2*PCI or 2*PCIE 1.0	
Network	5*RJ-45 (intel 225v)		
Light	1* HDDLED/1*PWRLED/1*POWER/1*RESET		
Watch Dog	Reset, programmable interval time		
RTC	Support RTC		
Working Temperature		-20°C~70°C	
Storage Temperature		-40°C~80°C	
Humidity		90% (20±50°C)	
Power	DC 9-36V		
Size	236mm*220mm*110mm		

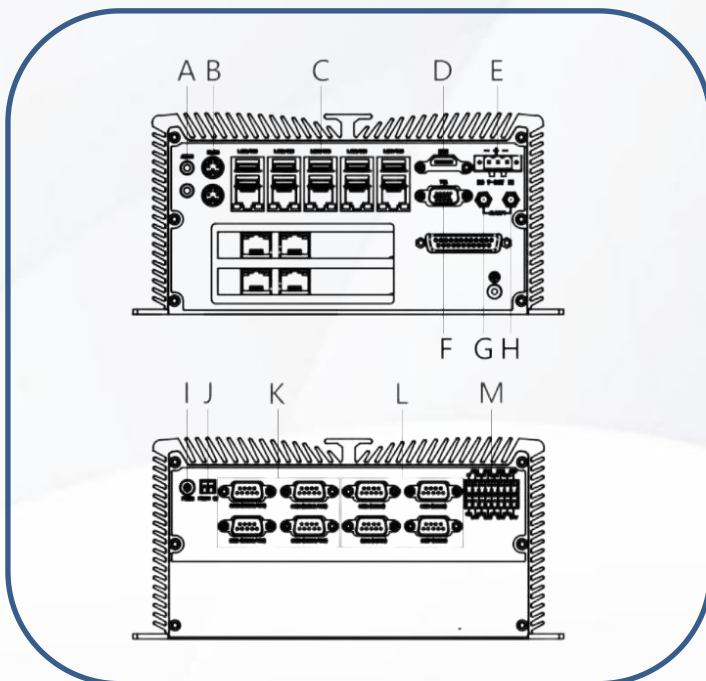
Optional Fitting:

Model	Specification
Memory	DDR IIII (4GB / 8GB / 16GB)
Storage	MSATA:32GB / 64GB / 128 GB / 256GB / 512GB
	SATA:120GB / 128GB / 240GB / 256GB / 480GB 512GB / 960 GB / 1TB
WIFI	7260an / 7260 ac / AX210
4G module	4G+GPS
PCI/PCIE	2*PCI or 2*PCIE 1.0

Size Drawing:



Interface Drawing:



A:AUDIO

B:KB/MS

C:LAN/USB

D:HDMI

E:DC 9-36V IN

F:VGA

G:4G

H:WIFI

I:POWER

J:POWER SW

K:COM(RS 232/485)

L:COM(RS 232)

M:GPIO