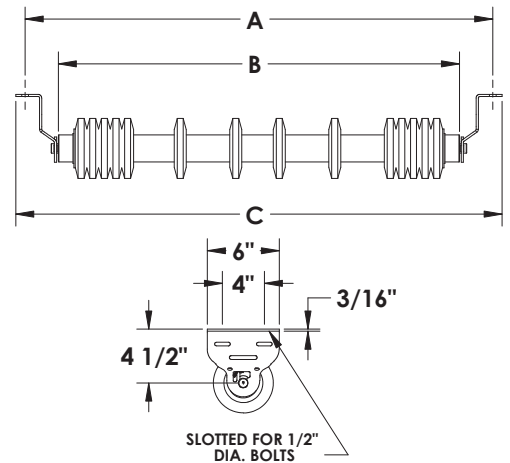


C Idlers

KILOMEGA

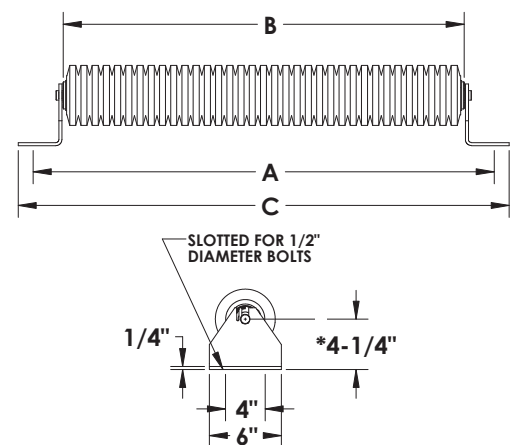
RUBBER CUSHION RETURN IDLERS 4", 5", & 6" DIAMETER

RETURN IDLER 4" PART NUMBER	RETURN IDLER 5" PART NUMBER	RETURN IDLER 6" PART NUMBER	BW*	A	B	C	WT**		
							4"	5"	6"
C4-RETI-18	C5-RETI-18	C6-RETI-18	18	27	21 7/16	28 1/2	16	21	23
C4-RETI-24	C5-RETI-24	C6-RETI-24	24	33	27 7/16	34 1/2	19	25	30
C4-RETI-30	C5-RETI-30	C6-RETI-30	30	39	33 7/16	40 1/2	22	30	34
C4-RETI-36	C5-RETI-36	C6-RETI-36	36	45	39 7/16	46 1/2	28	34	40
C4-RETI-42	C5-RETI-42	C6-RETI-42	42	51	45 7/16	52 1/2	30	37	43
C4-RETI-48	C5-RETI-48	C6-RETI-48	48	57	51 7/16	58 1/2	32	43	49
C4-RETI-54 ✓	C5-RETI-54 ✓	C6-RETI-54 ✓	54	63	57 7/16	64 1/2	37	48	53
C4-RETI-60 ✓	C5-RETI-60 ✓	C6-RETI-60 ✓	60	69	63 7/16	70 1/2	39	52	57

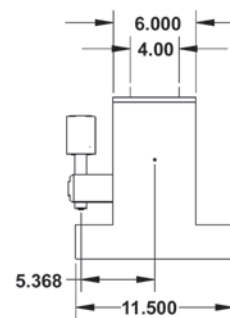
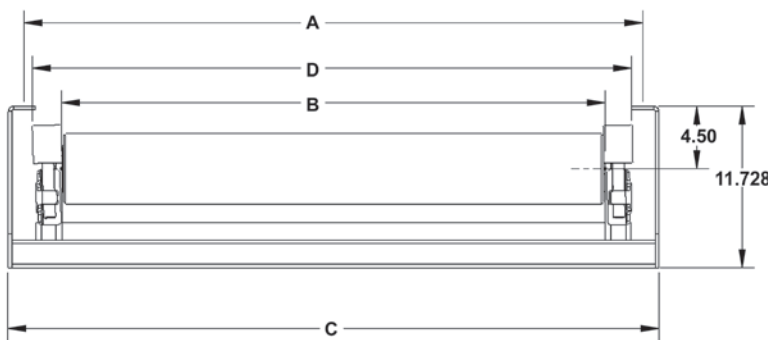


RUBBER CUSHION FLAT IDLERS 4", 5", & 6" DIAMETER

RETURN IDLER 4" PART NUMBER	RETURN IDLER 5" PART NUMBER	RETURN IDLER 6" PART NUMBER	BW*	A	B	C	WT**		
							4"	5"	6"
C4-FLTI-18	C5-FLTI-18	C6-FLTI-18	18	27	21 7/16	28 3/4	24	29	35
C4-FLTI-24	C5-FLTI-24	C6-FLTI-24	24	33	27 7/16	34 3/4	30	36	44
C4-FLTI-30	C5-FLTI-30	C6-FLTI-30	30	39	33 7/16	40 3/4	35	42	52
C4-FLTI-36	C5-FLTI-36	C6-FLTI-36	36	45	39 7/16	46 3/4	40	48	60
C4-FLTI-42	C5-FLTI-42	C6-FLTI-42	42	51	45 7/16	52 3/4	45	54	68
C4-FLTI-48	C5-FLTI-48	C6-FLTI-48	48	57	51 7/16	58 3/4	50	61	77
C4-FLTI-54 ✓	C5-FLTI-54 ✓	C6-FLTI-54 ✓	54	63	57 7/16	64 3/4	55	68	85
C4-FLTI-60 ✓	C5-FLTI-60 ✓	C6-FLTI-60 ✓	60	69	63 7/16	70 3/4	60	74	93



SELF-ALIGNING RETURN IDLERS - 4", 5", & 6" DIAMETER



RETURN IDLER 4" PART NUMBER	RETURN IDLER 5" PART NUMBER	RETURN IDLER 6" PART NUMBER	BW*	A	B	C	D	WT**		
								4"	5"	6"
C4-RETA-18	C5-RETA-18	C6-RETA-18	18	27	21 5/16	29 3/4	23 5/8	72	73	76
C4-RETA-24	C5-RETA-24	C6-RETA-24	24	33	27 5/16	35 3/4	29 5/8	81	83	87
C4-RETA-30	C5-RETA-30	C6-RETA-30	30	39	33 5/16	41 3/4	35 5/8	87	96	99
C4-RETA-36	C5-RETA-36	C6-RETA-36	36	45	39 5/16	47 3/4	41 5/8	102	107	125
C4-RETA-42	C5-RETA-42	C6-RETA-42	42	51	45 5/16	53 3/4	47 5/8	129	133	135
C4-RETA-48	C5-RETA-48	C6-RETA-48	48	57	51 5/16	59 3/4	53 5/8	141	146	148
C4-RETA-54 ✓	C5-RETA-54 ✓	C6-RETA-54 ✓	54	63	57 5/16	65 3/4	59 5/8	164	167	170
C4-RETA-60 ✓	C5-RETA-60 ✓	C6-RETA-60 ✓	60	69	63 5/16	71 3/4	65 5/8	178	181	188

* Belt Width / ** All weights include brackets / ✓ Meets CEMA D specifications

** Also available in bi-directional. Designated by (RETBA). Individual bracket weights are listed on page 62 and 63. Self-aligning return idlers are also available in rubber cushion roller. Designed by (RETAI)

Dimensions are subject to change without notice. Certified prints available for construction.