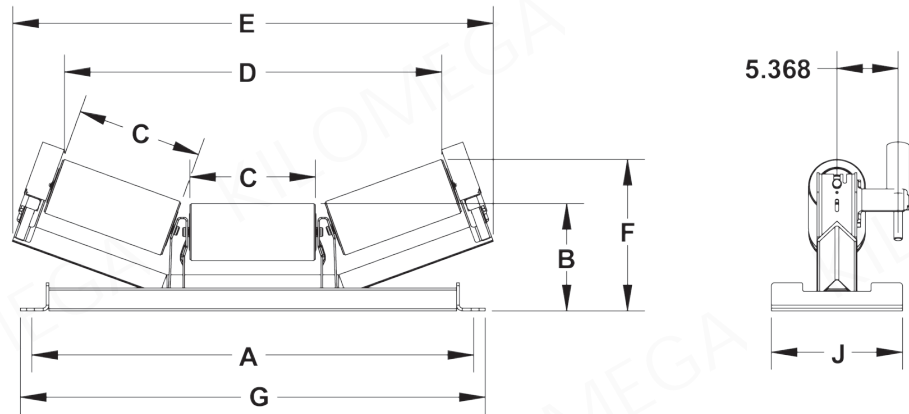


SELF-ALIGNING TROUGHING IDLER - 4" DIAMETER



	PART NUMBER	BW*	A	B	C	D	E	F	G	H	J	K	WT
20°	C4-20EA-18	18	27	8 7/8	7 1/16	21 15/16	30 5/8	11 7/16	28 7/8	6	11 1/2	5/8	72
	C4-20EA-24	24	33	8 7/8	9 1/16	27 11/16	36 3/8	12 1/8	34 7/8	6	11 1/2	5/8	84
	C4-20EA-30	30	39	8 15/16	11 1/16	33 7/16	42 3/16	12 7/8	40 7/8	6	11 1/2	5/8	102
	C4-20EA-36	36	45	8 15/16	13 1/16	39 3/16	47 15/16	13 9/16	46 7/8	6	11 1/2	5/8	111
	C4-20EA-42	42	51	9 5/16	15 1/16	44 15/16	53 15/16	14 5/8	52 7/8	6	11 1/2	5/8	132
	C4-20EA-48	48	57	9 5/16	17 1/16	50 11/16	59 1/16	15 5/16	58 7/8	6	11 1/2	5/8	157
	C4-20EA-54	54	63	9 7/16	19 1/16	56 7/16	65 7/16	16 1/8	64 7/8	6	11 1/2	5/8	167
	C4-20EA-60	60	69	9 7/16	21 1/16	62 3/16	71 3/16	16 13/16	70 7/8	6	11 1/2	5/8	181
35°	C4-35EA-18	18	27	8 7/8	7 1/16	20	32 13/16	12 15/16	28 7/8	6	11 1/2	5/8	75
	C4-35EA-24	24	33	8 7/8	9 1/16	25 5/16	38 3/16	14 1/8	34 7/8	6	11 1/2	5/8	85
	C4-35EA-30	30	39	8 15/16	11 1/16	30 9/16	44 3/16	15 5/16	40 7/8	6	11 1/2	5/8	103
	C4-35EA-36	36	45	8 15/16	13 1/16	35 13/16	48 15/16	16 7/16	46 7/8	6	11 1/2	5/8	113
	C4-35EA-42	42	51	9 5/16	15 1/16	41 1/8	55	17 15/16	52 7/8	6	11 1/2	5/8	134
	C4-35EA-48	48	57	9 5/16	17 1/16	46 3/8	60 5/8	19 1/8	58 7/8	6	11 1/2	5/8	159
	C4-35EA-54	54	63	9 7/16	19 1/16	51 11/16	65 1/4	20 3/8	64 7/8	6	11 1/2	5/8	171
	C4-35EA-60	60	69	9 7/16	21 1/16	56 15/16	70 9/16	21 9/16	70 7/8	6	11 1/2	5/8	185
45°	C4-45EA-18	18	27	8 7/8	7 1/16	18 5/8	31 11/16	14 1/8	28 7/8	6	11 1/2	5/8	78
	C4-45EA-24	24	33	8 7/8	9 1/16	23 1/2	36 13/16	15 9/16	34 7/8	6	11 1/2	5/8	86
	C4-45EA-30	30	39	8 15/16	11 1/16	28 5/16	43 5/16	17	40 7/8	6	11 1/2	5/8	104
	C4-45EA-36	36	45	8 15/16	13 1/16	33 1/8	49 11/16	18 3/8	46 7/8	6	11 1/2	5/8	115
	C4-45EA-42	42	51	9 5/16	15 1/16	37 15/16	54	20 3/16	52 7/8	6	11 1/2	5/8	136
	C4-45EA-48	48	57	9 5/16	17 1/16	42 13/16	59 1/8	21 5/8	58 7/8	6	11 1/2	5/8	160
	C4-45EA-54	54	63	9 7/16	19 1/16	47 5/8	63 3/4	23 1/8	64 7/8	6	11 1/2	5/8	175
	C4-45EA-60	60	69	9 7/16	21 1/16	52 7/16	68 5/16	24 9/16	70 7/8	6	11 1/2	5/8	189

* Belt Width

** Also available in bi-directional. Designated by (BA).

Individual bracket weights are listed on page 62 and 63.

Note: Dimensions are subject to change without notice. Certified prints available for construction.