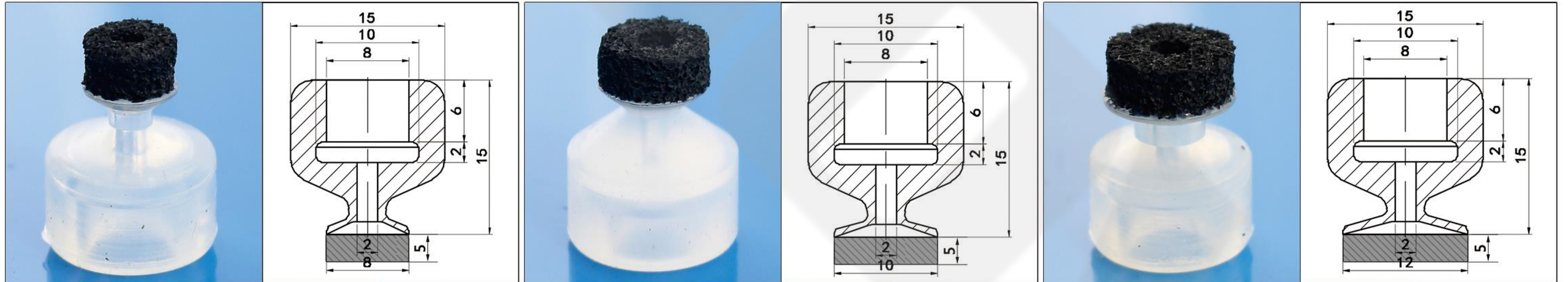


## ■ Big head black sponge series

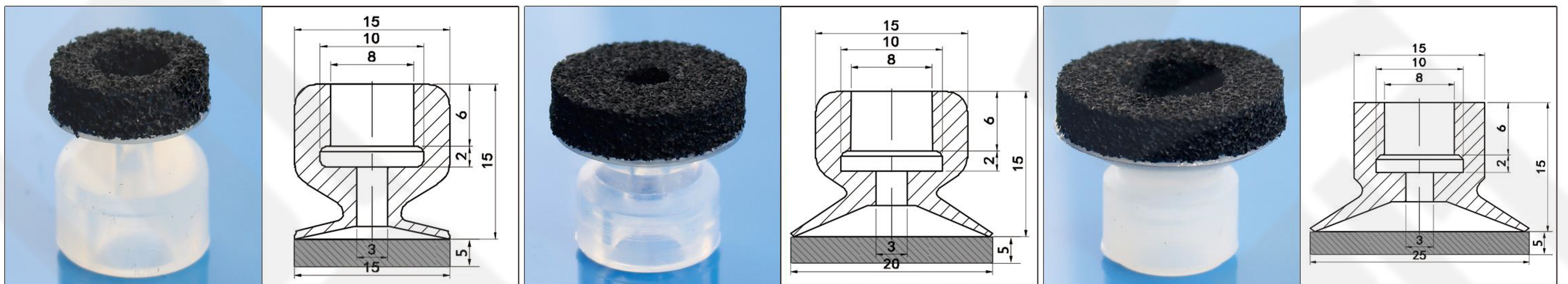
- Suitable for adsorption occasions with rough surface and uneven surface
- Rear mounting hole: 8mm single layer (GSP-H) / double layer (GDP-H) / triple layer (GMP-H)
- Sponge thickness: 5mm/8mm/10mm various specifications



**GSP-8H**

**GSP-10H**

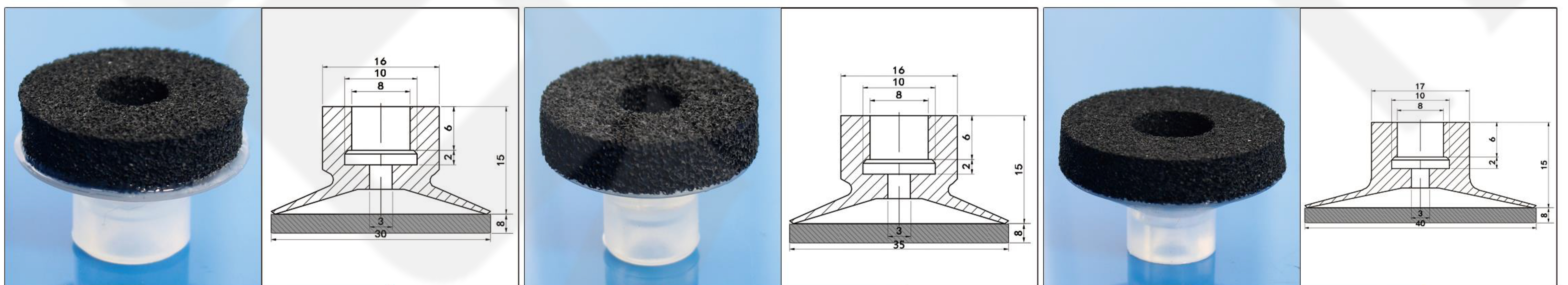
**GSP-12H**



**GSP-15H**

**GSP-20H**

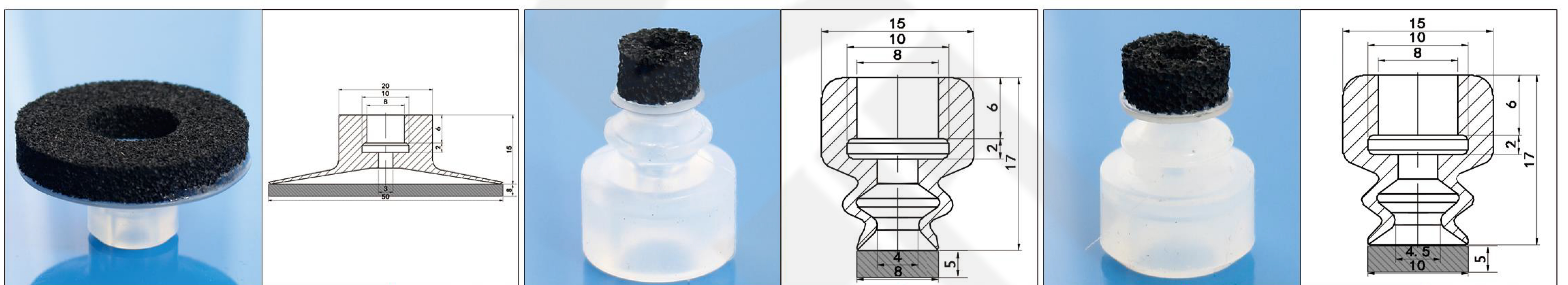
**GSP-25H**



**GSP-30H**

**GSP-35H**

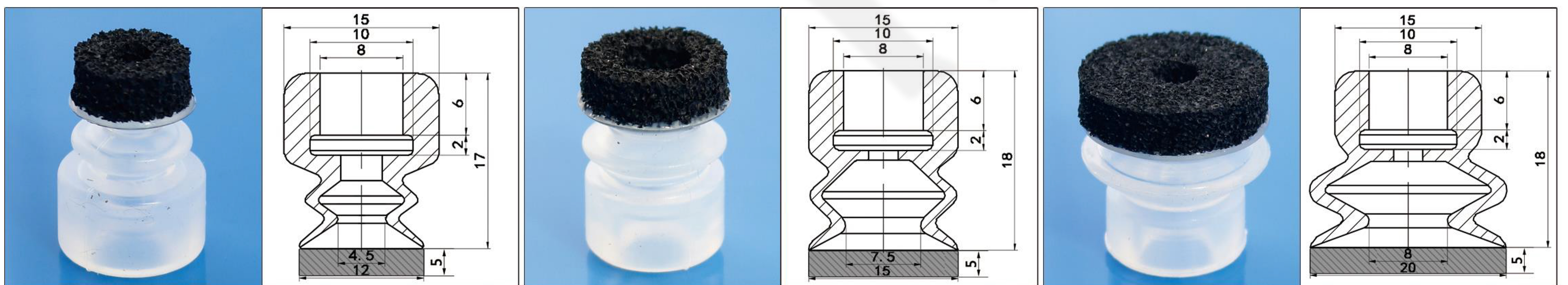
**GSP-40H**



**GSP-50H**

**GDP-8H**

**GDP-10H**

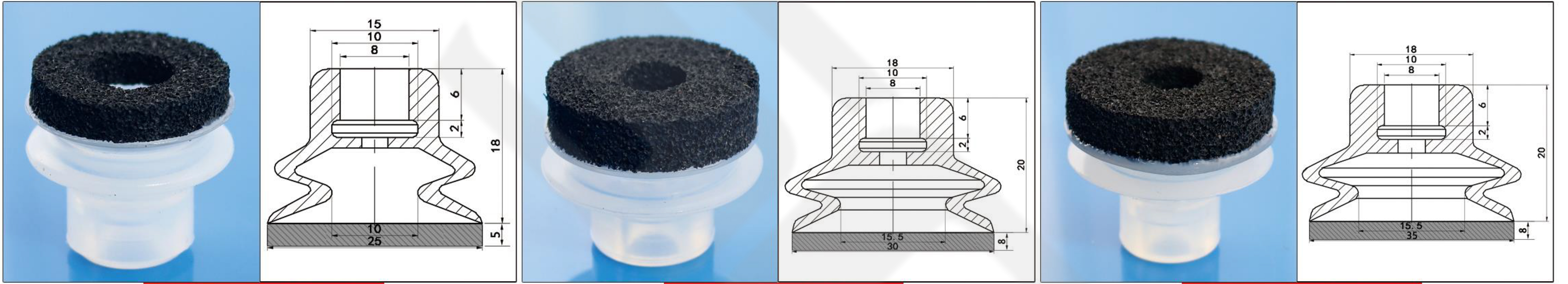


**GDP-12H**

**GDP-15H**

**GDP-20H**

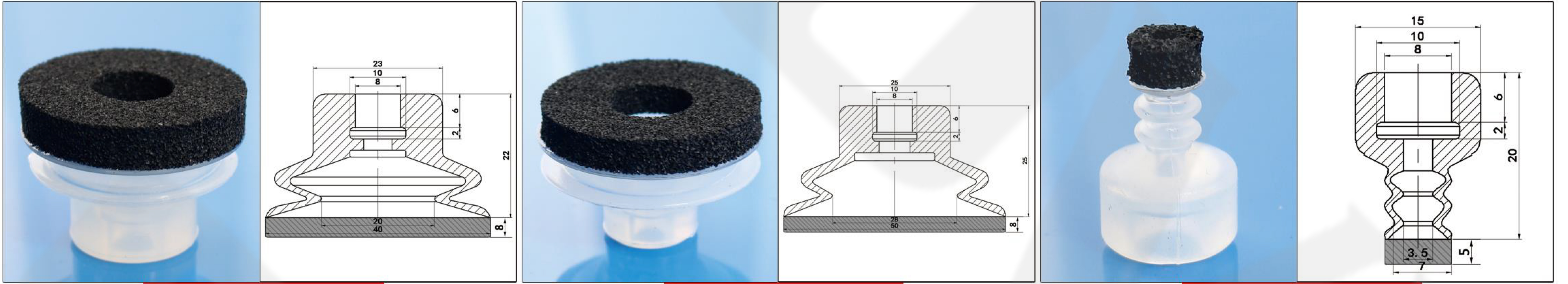




**GDP-25H**

**GDP-30H**

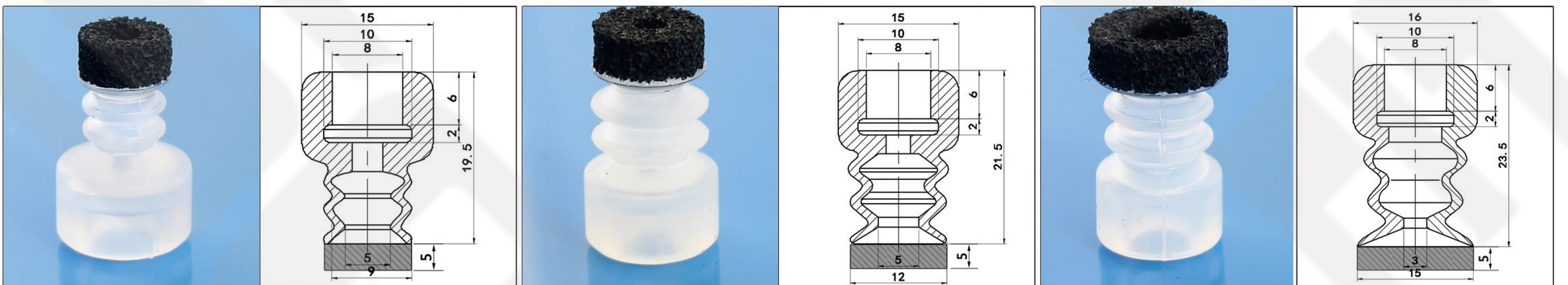
**GDP-35H**



**GDP-40H**

**GDP-50H**

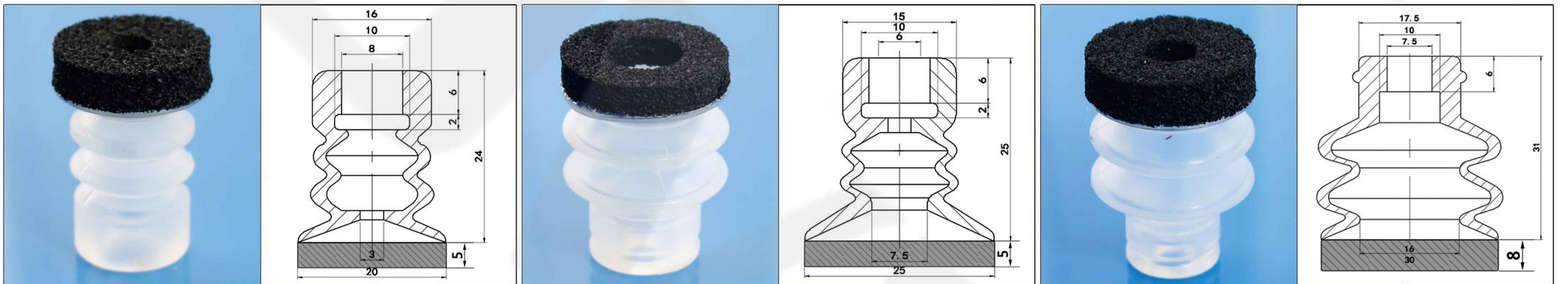
**GMP-8H**



**GMP-10H**

**GMP-12H**

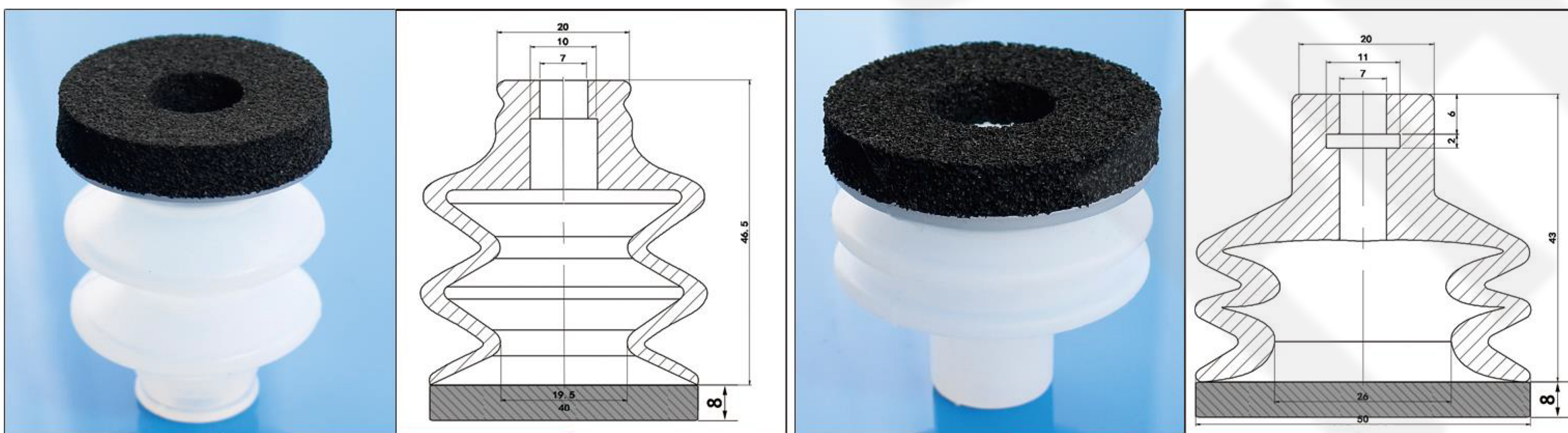
**GMP-15H**



**GMP-20H**

**GMP-25H**

**GMP-30H**



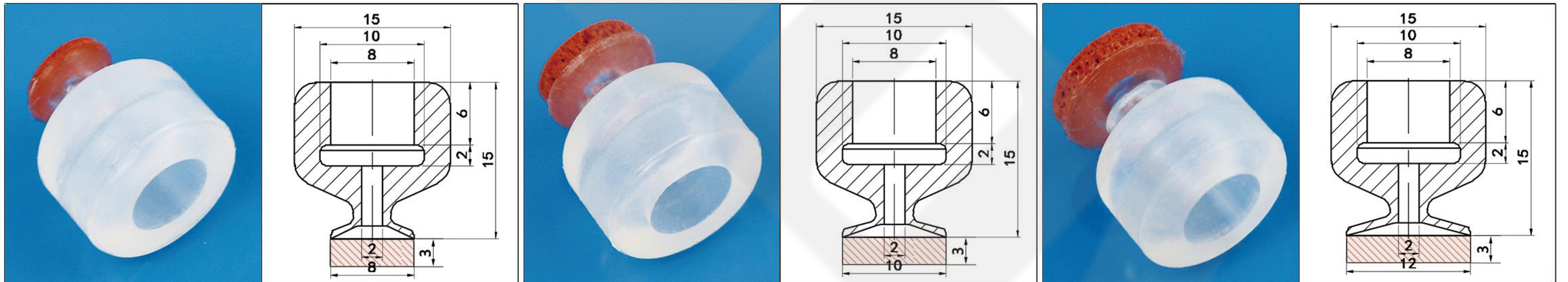
**GMP-40H**

**GMP-50H**



## ■ Big head red sponge series

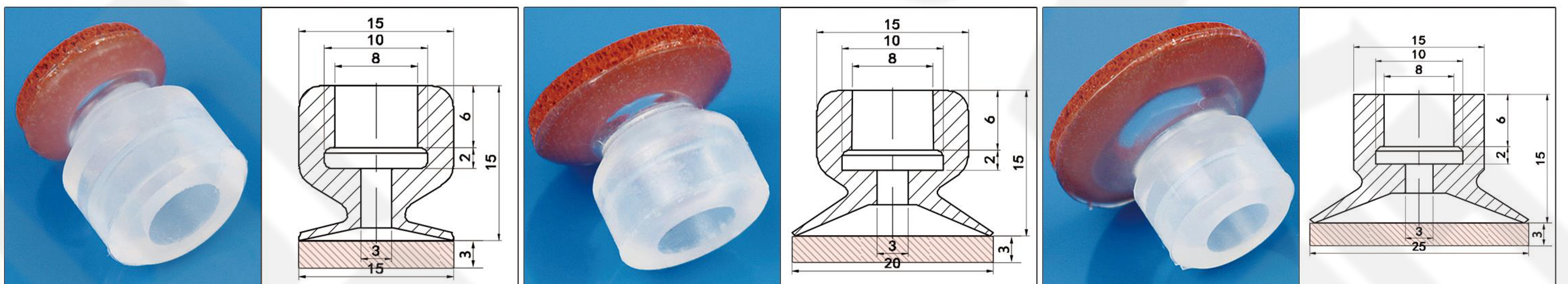
- Suitable for smooth surface mirror workpieces/thin workpieces/irregular textured workpieces
- Rear mounting hole: 8mm single layer (GSP-R) / double layer (GDP-R) / triple layer (GMP-R)
- Sponge thickness: 3mm various specifications



**GSP-8R**

**GSP-10R**

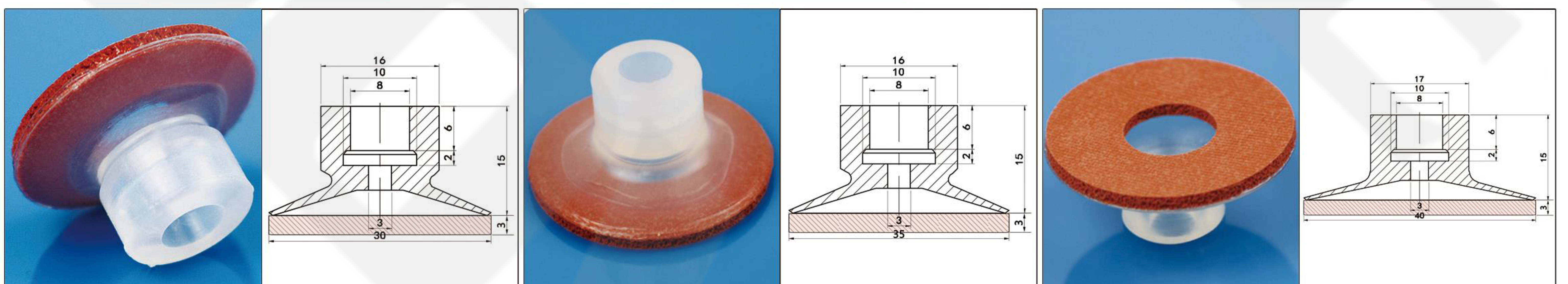
**GSP-12R**



**GSP-15R**

**GSP-20R**

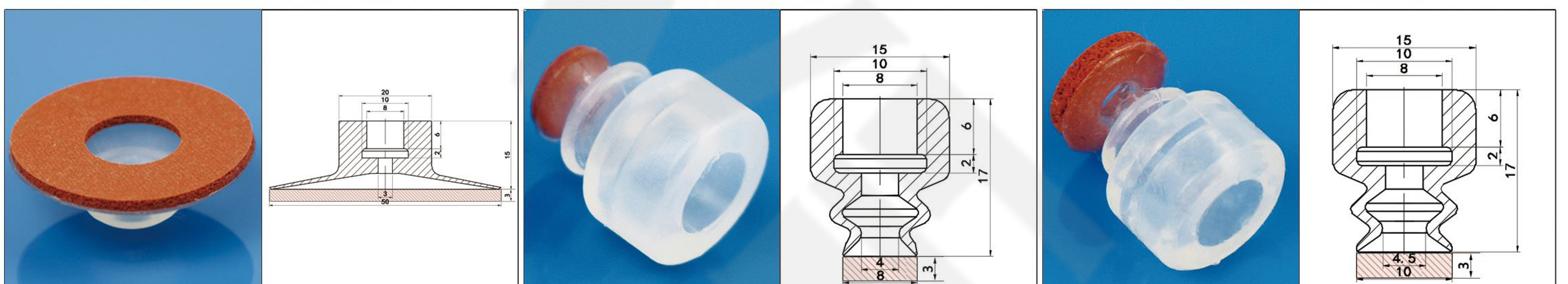
**GSP-25R**



**GSP-30R**

**GSP-35R**

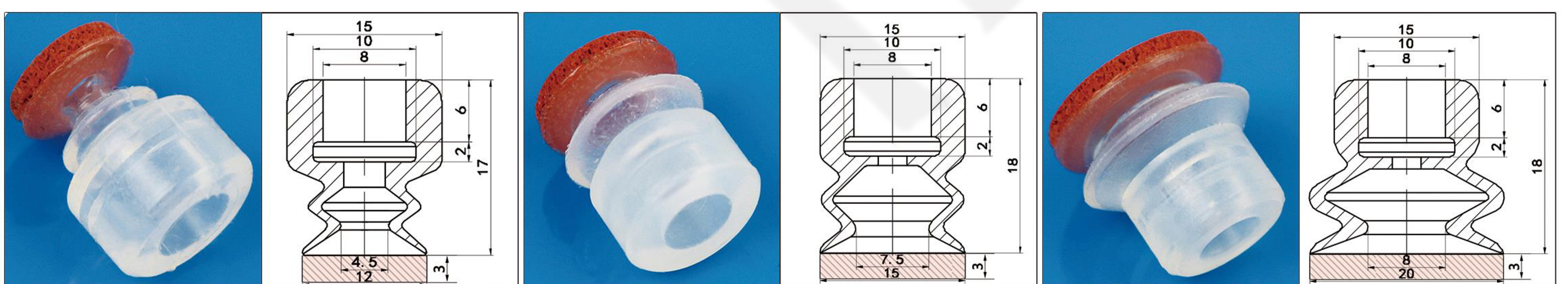
**GSP-40R**



**GSP-50R**

**GDP-8R**

**GDP-10R**

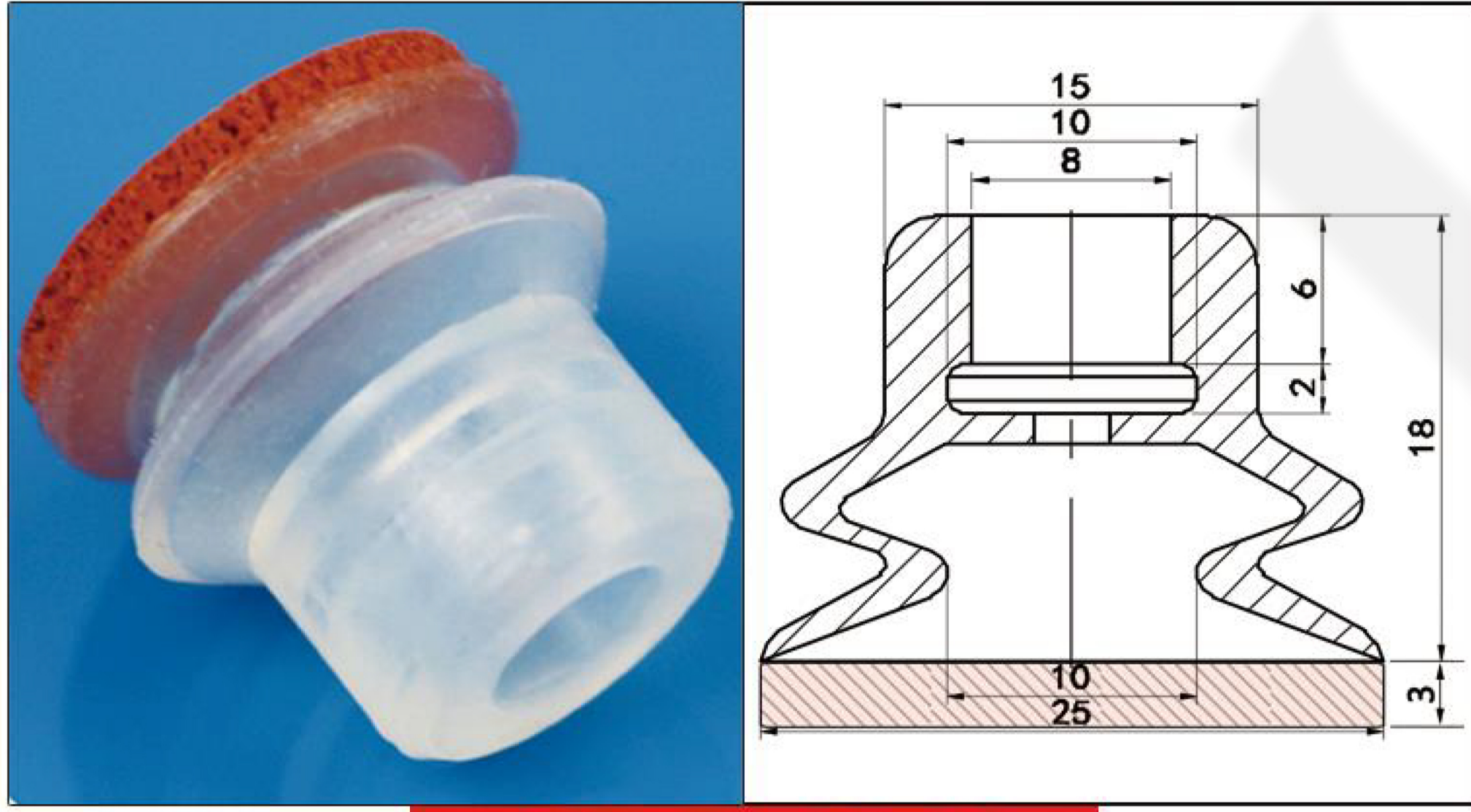


**GDP-12R**

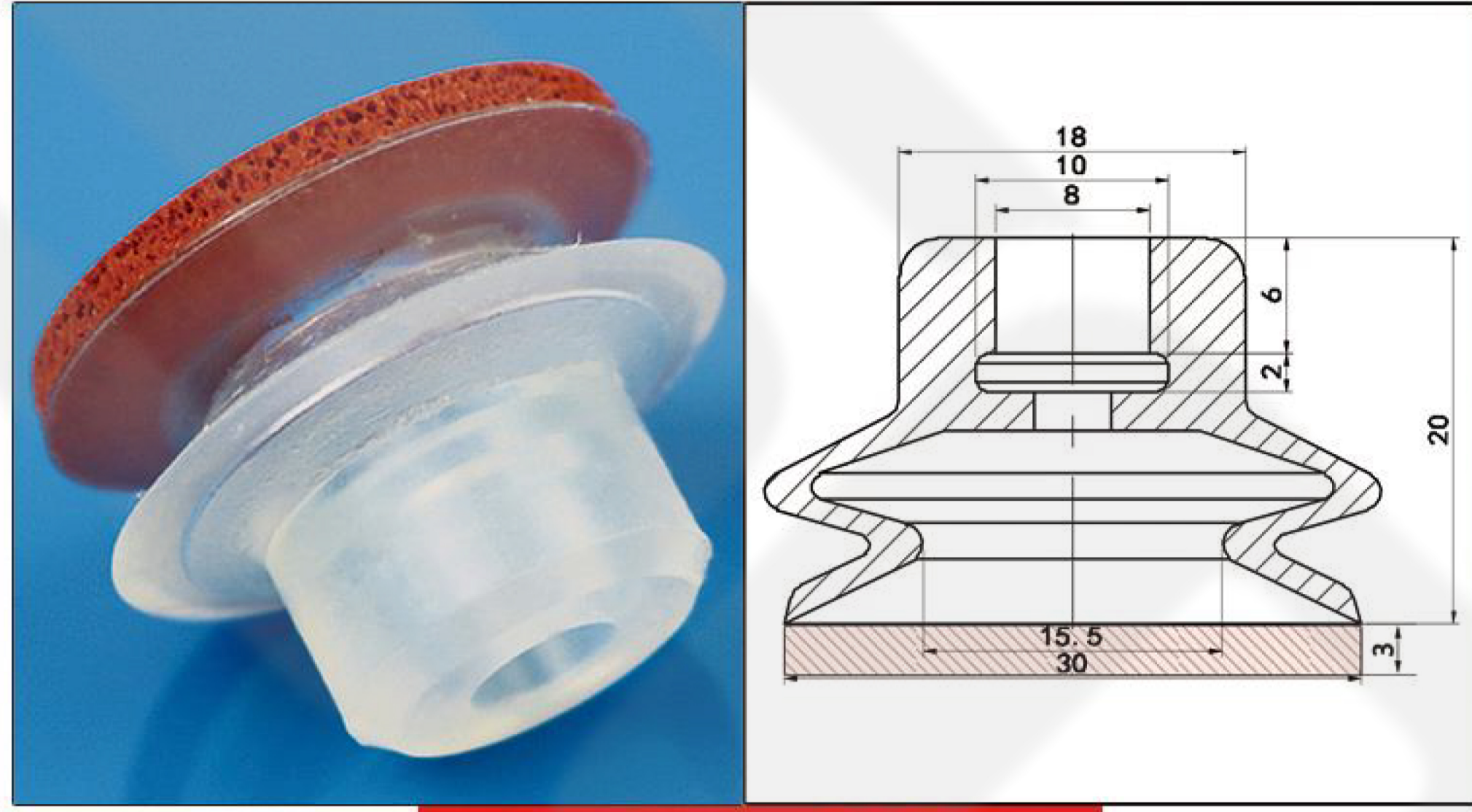
**GDP-15R**

**GDP-20R**

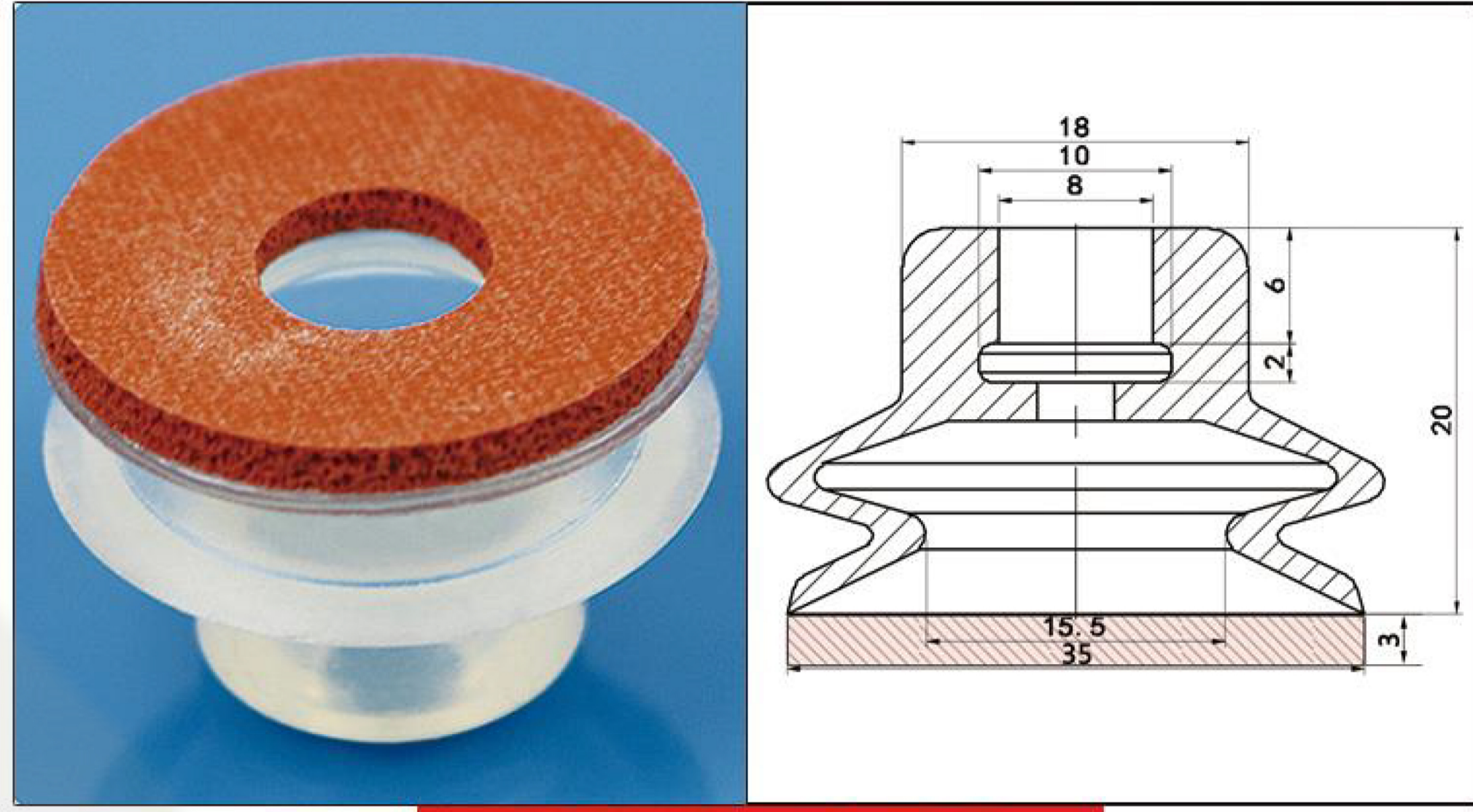




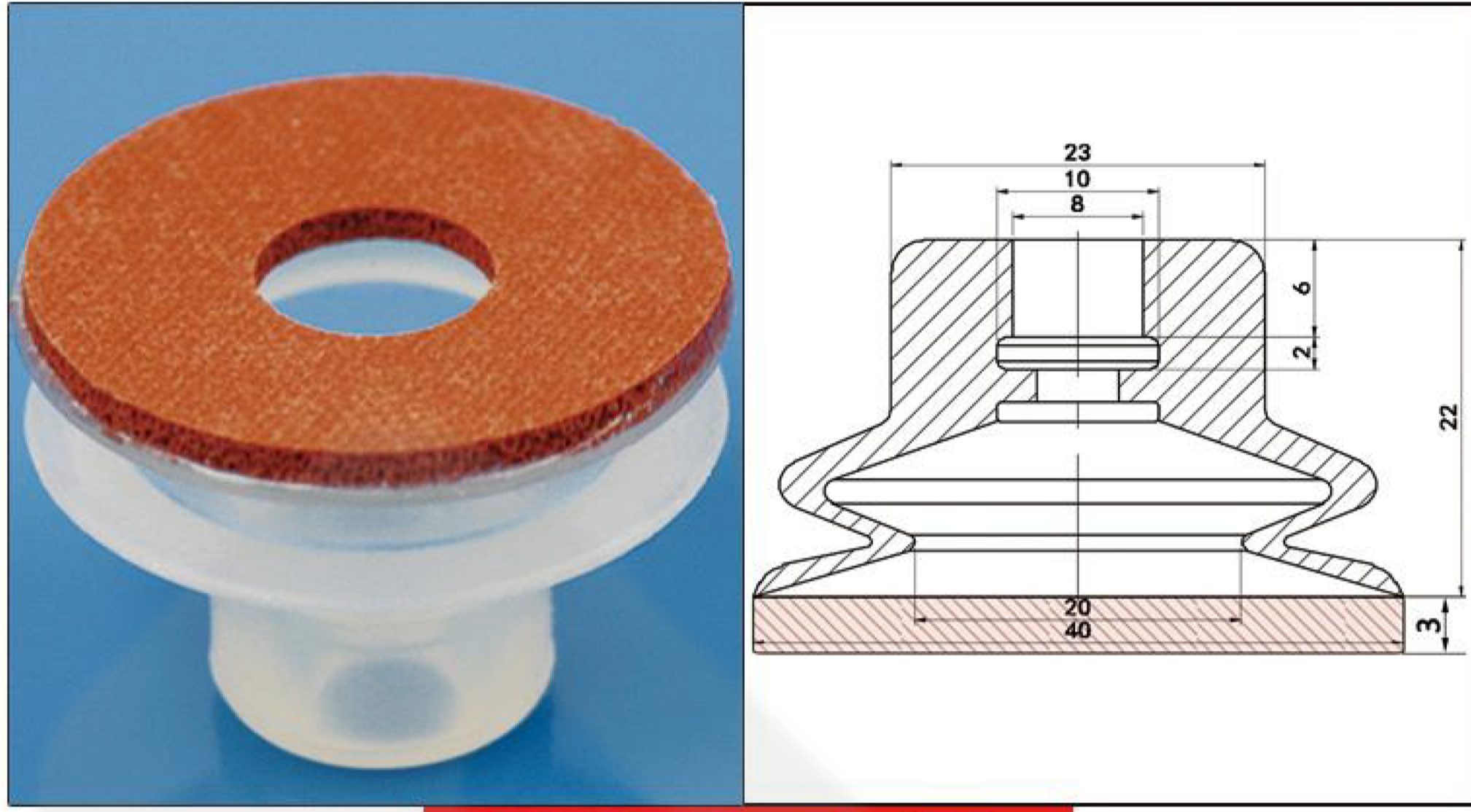
**GDP-25R**



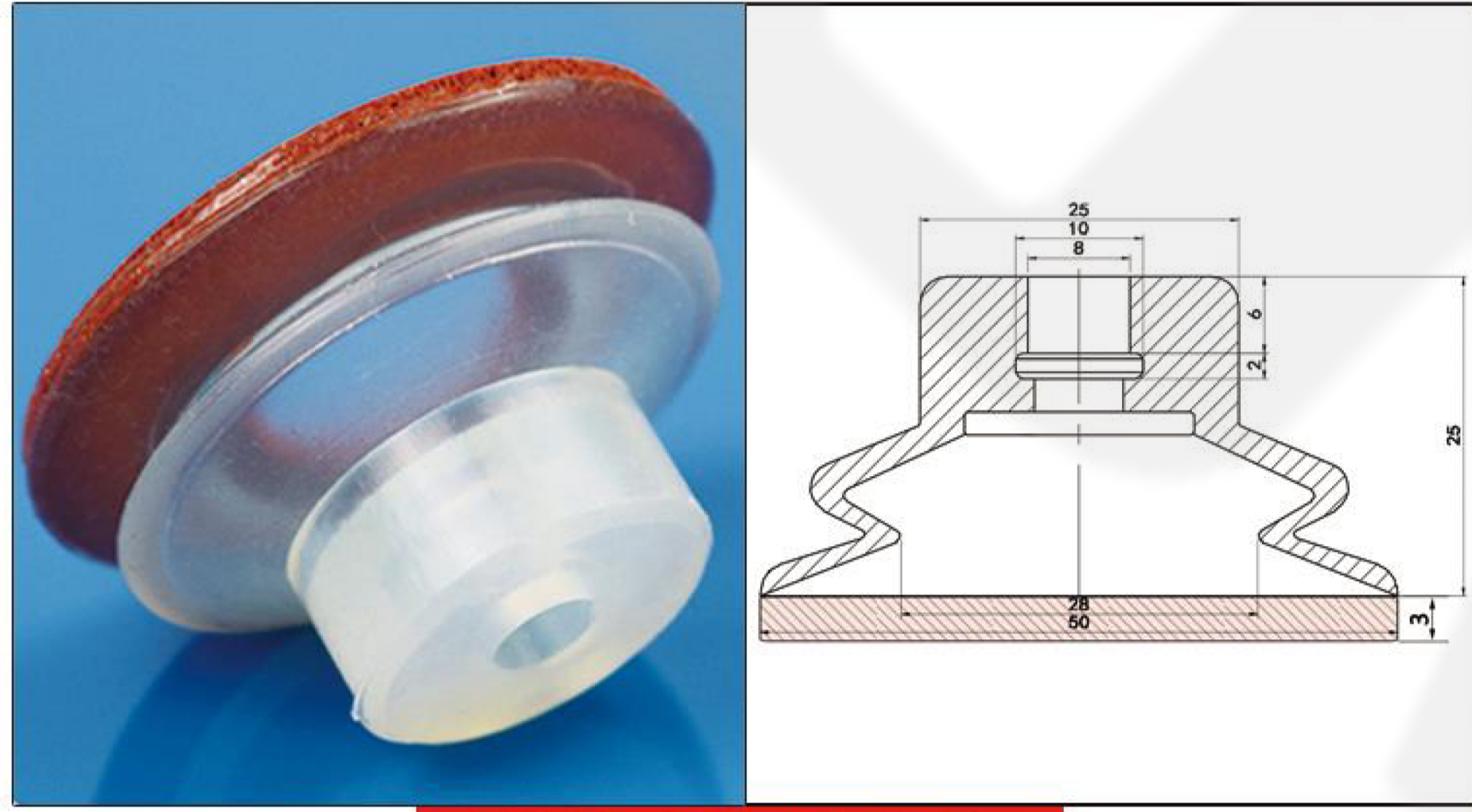
**GDP-30R**



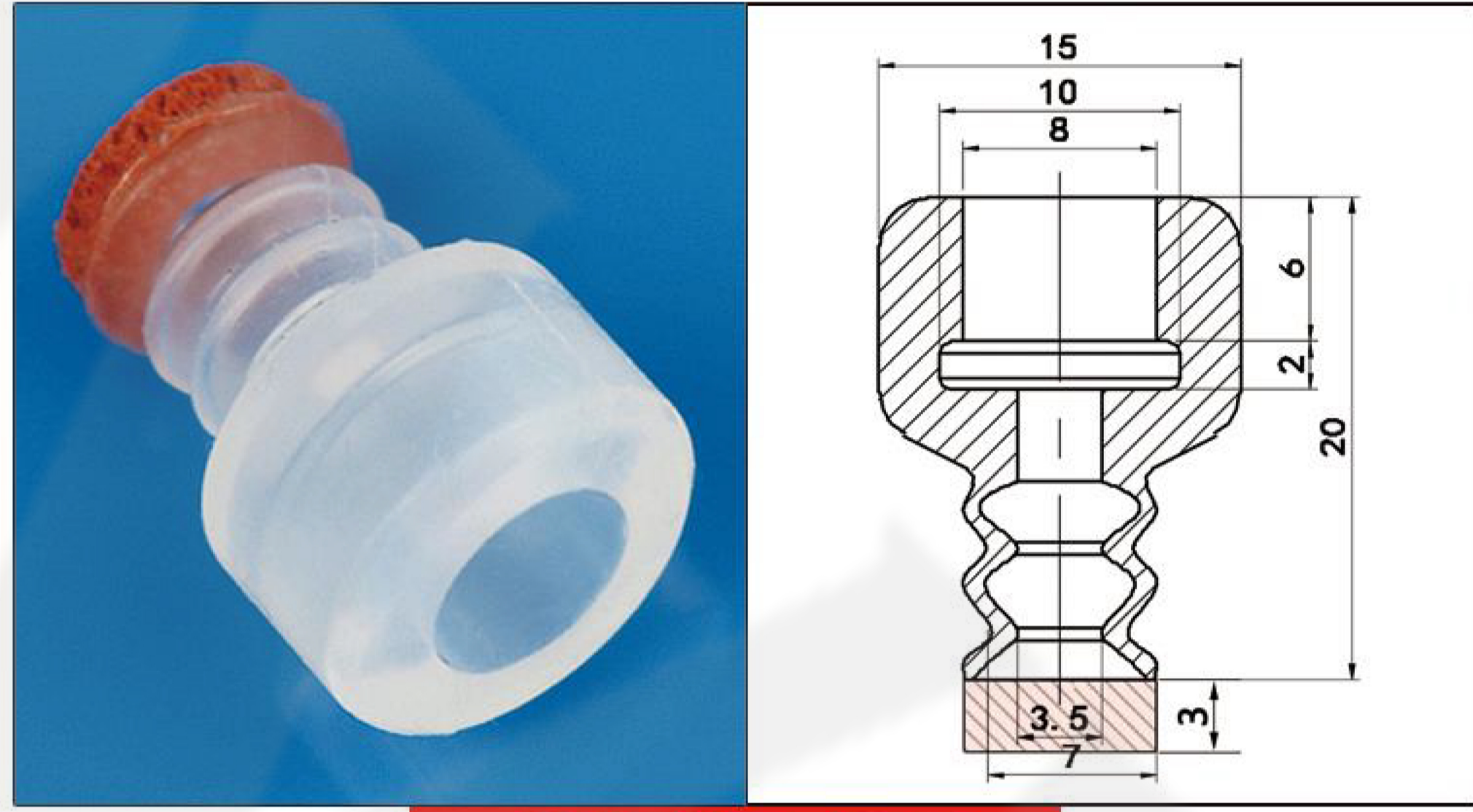
**GDP-35R**



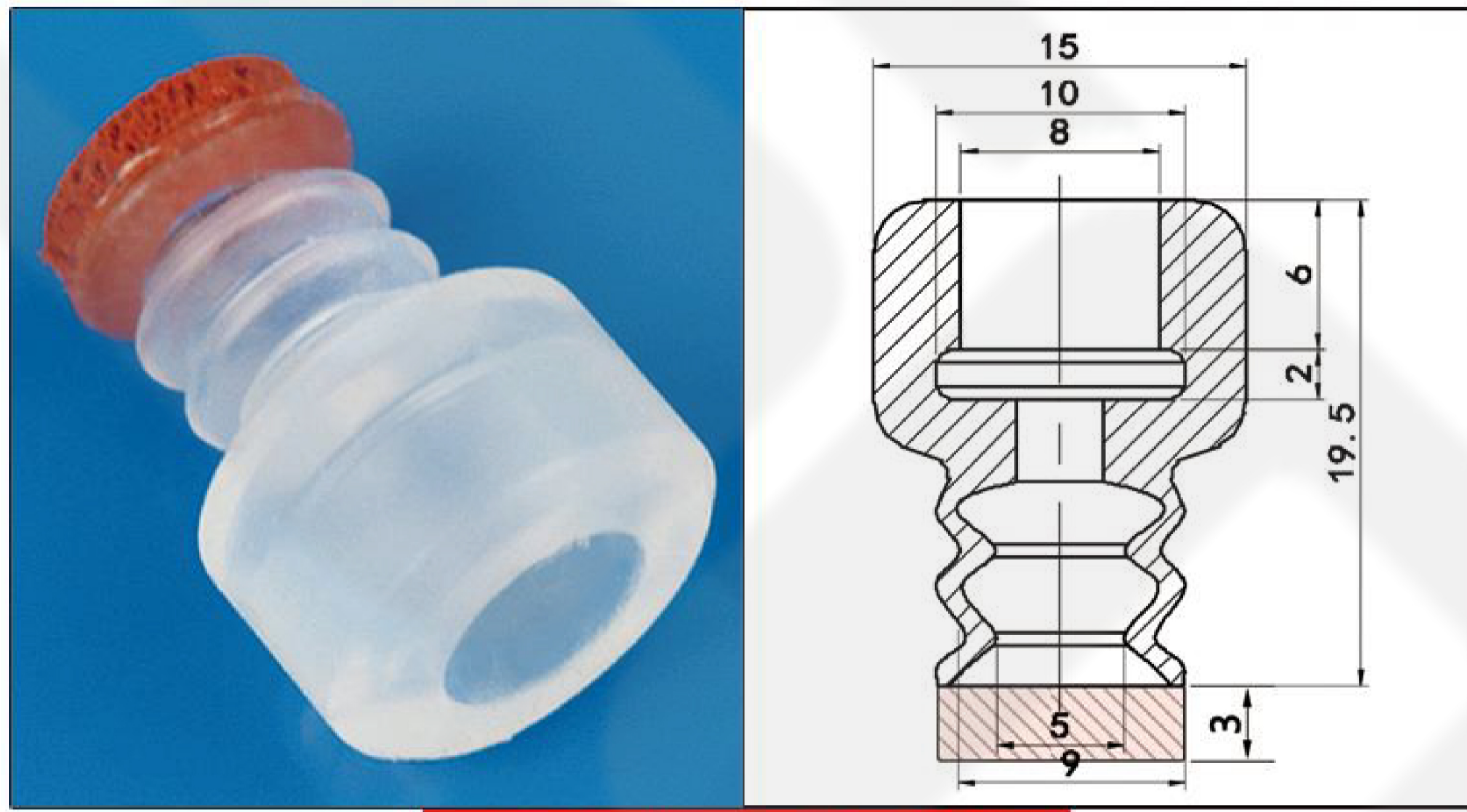
**GDP-40R**



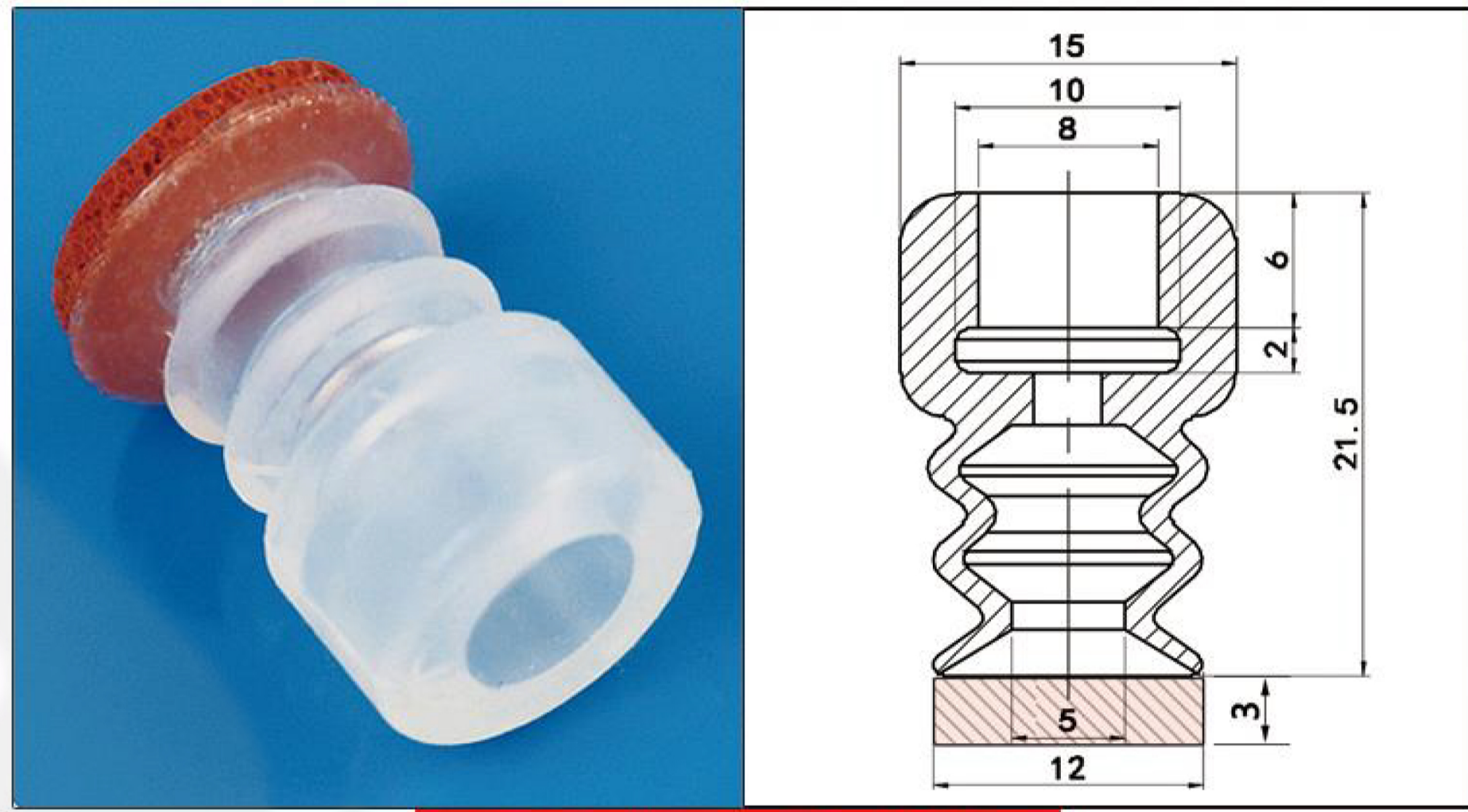
**GDP-50R**



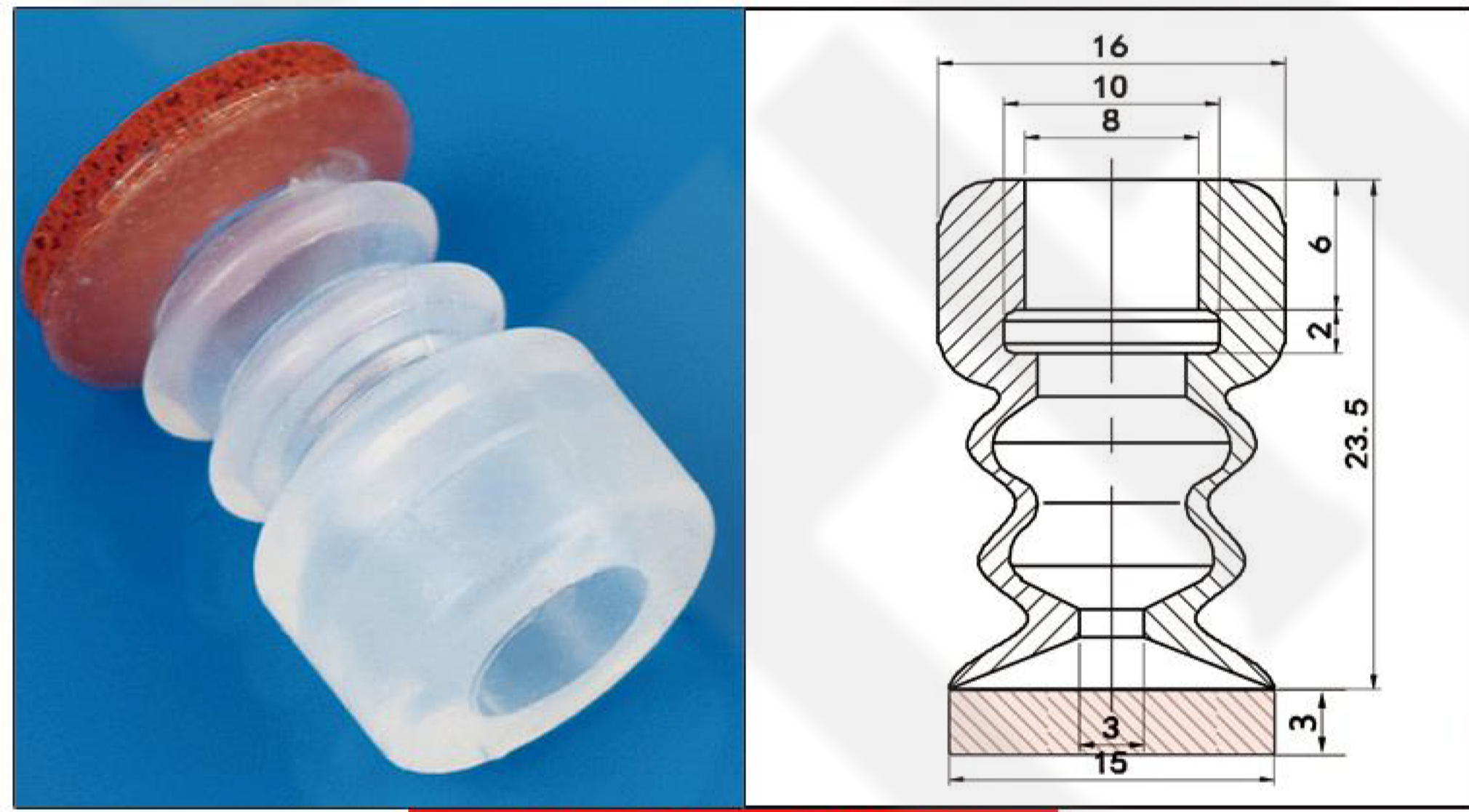
**GMP-8R**



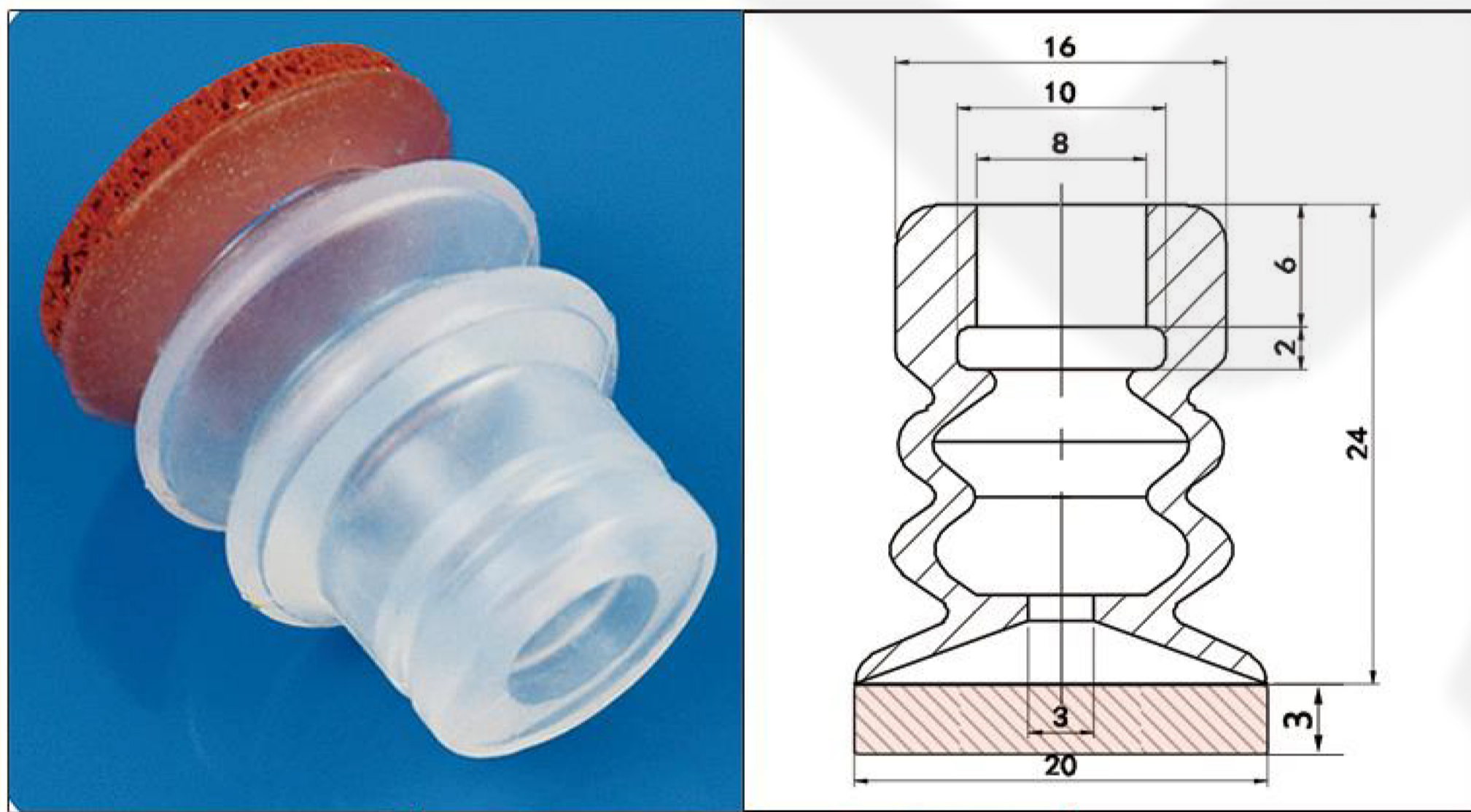
**GMP-10R**



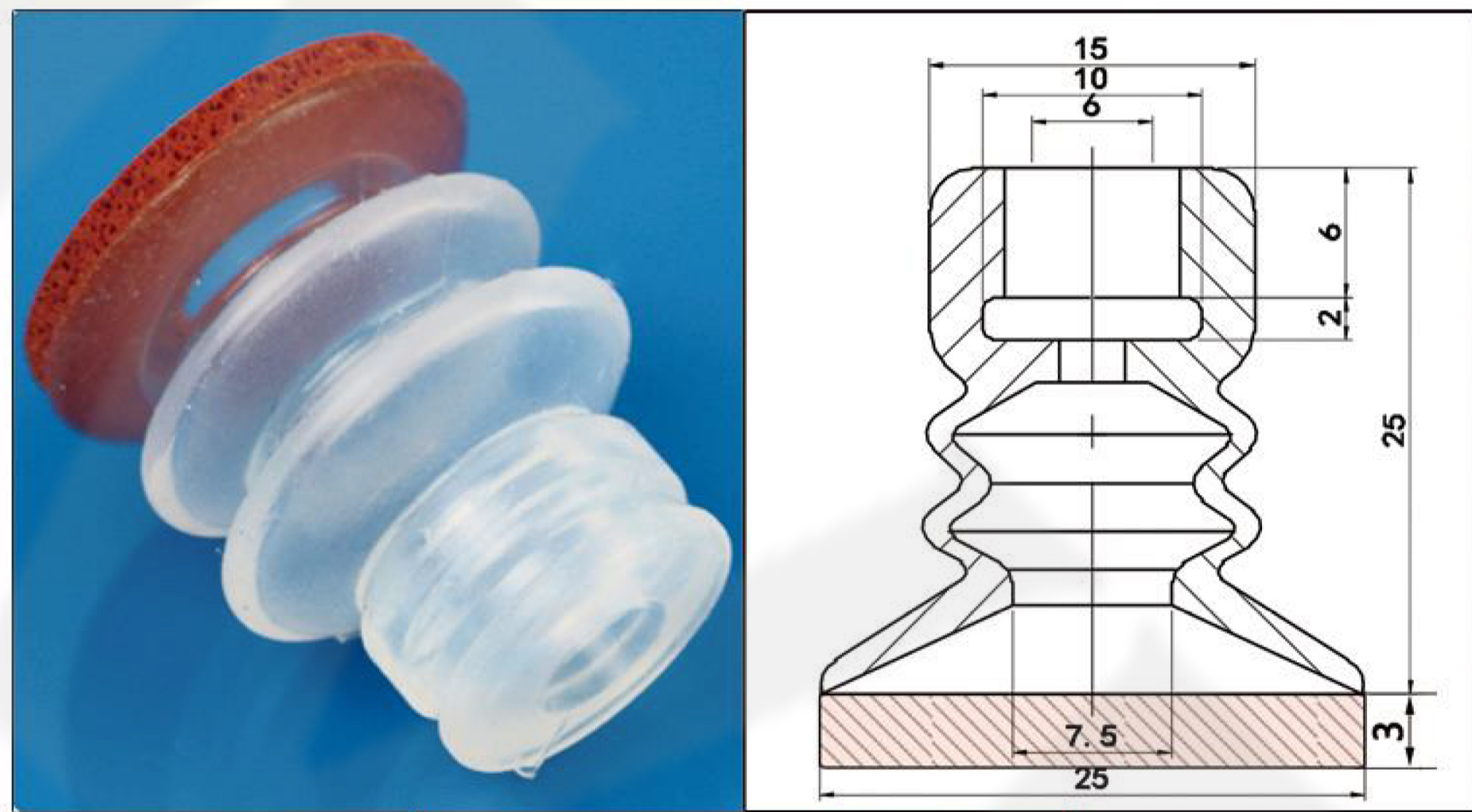
**GMP-12R**



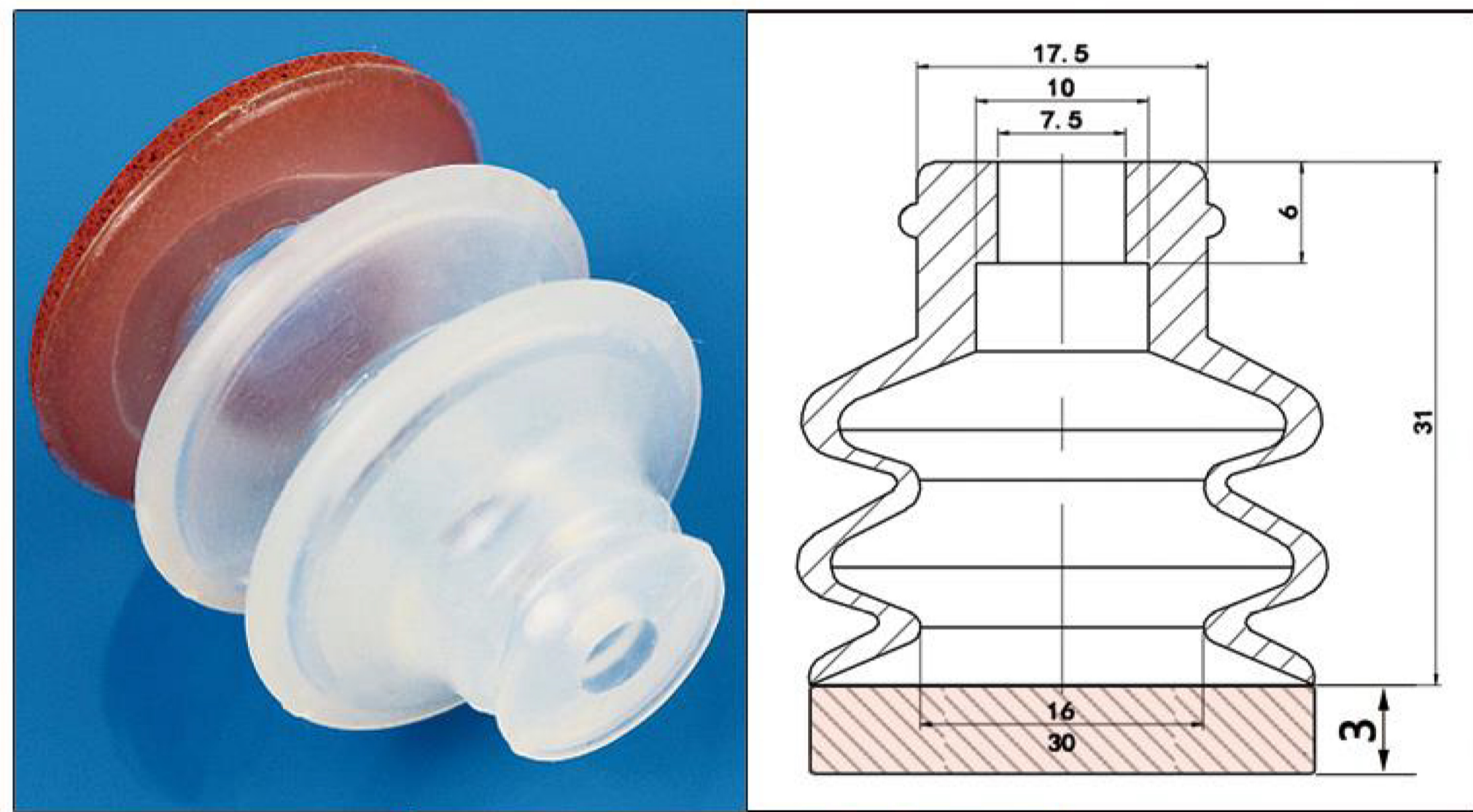
**GMP-15R**



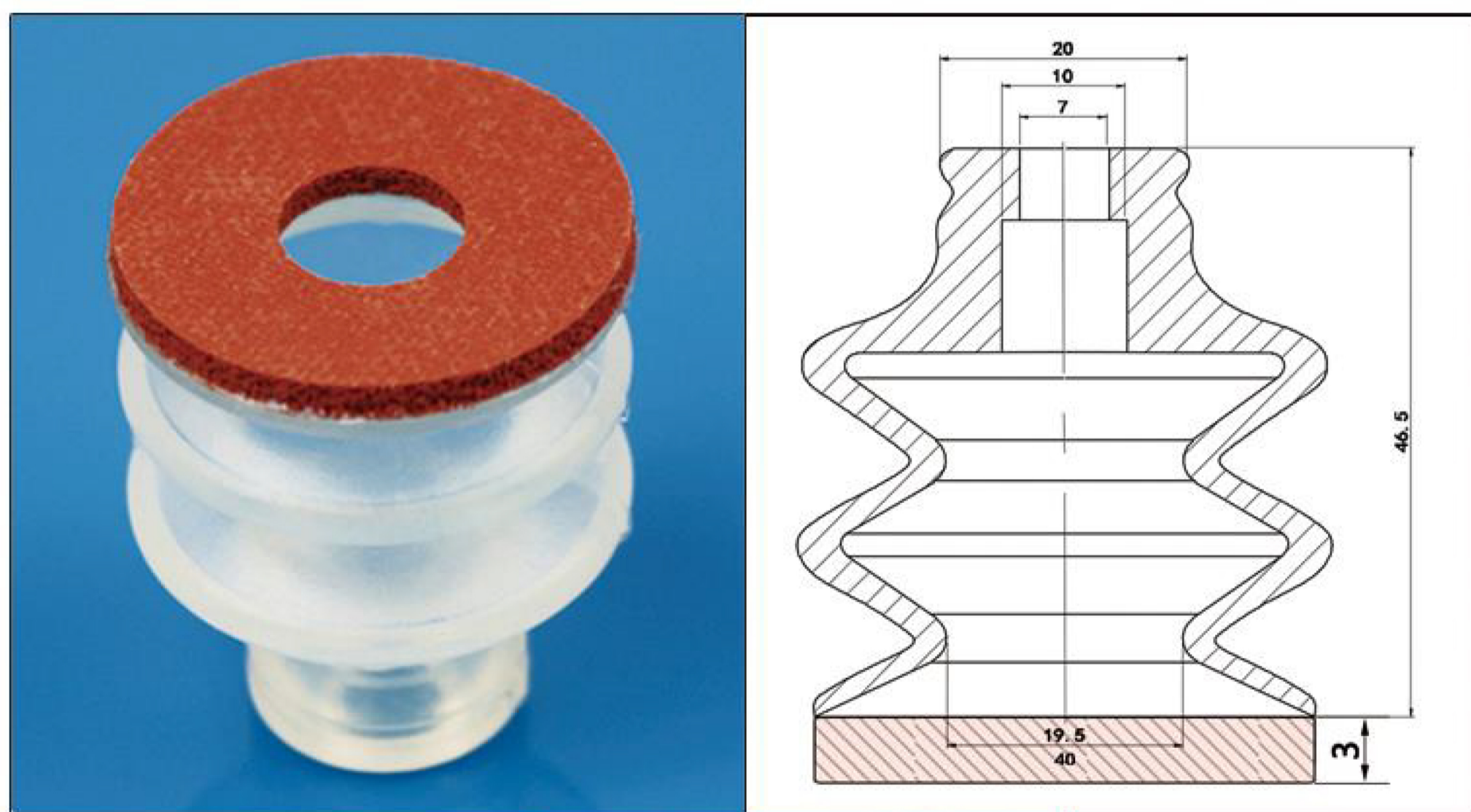
**GMP-20R**



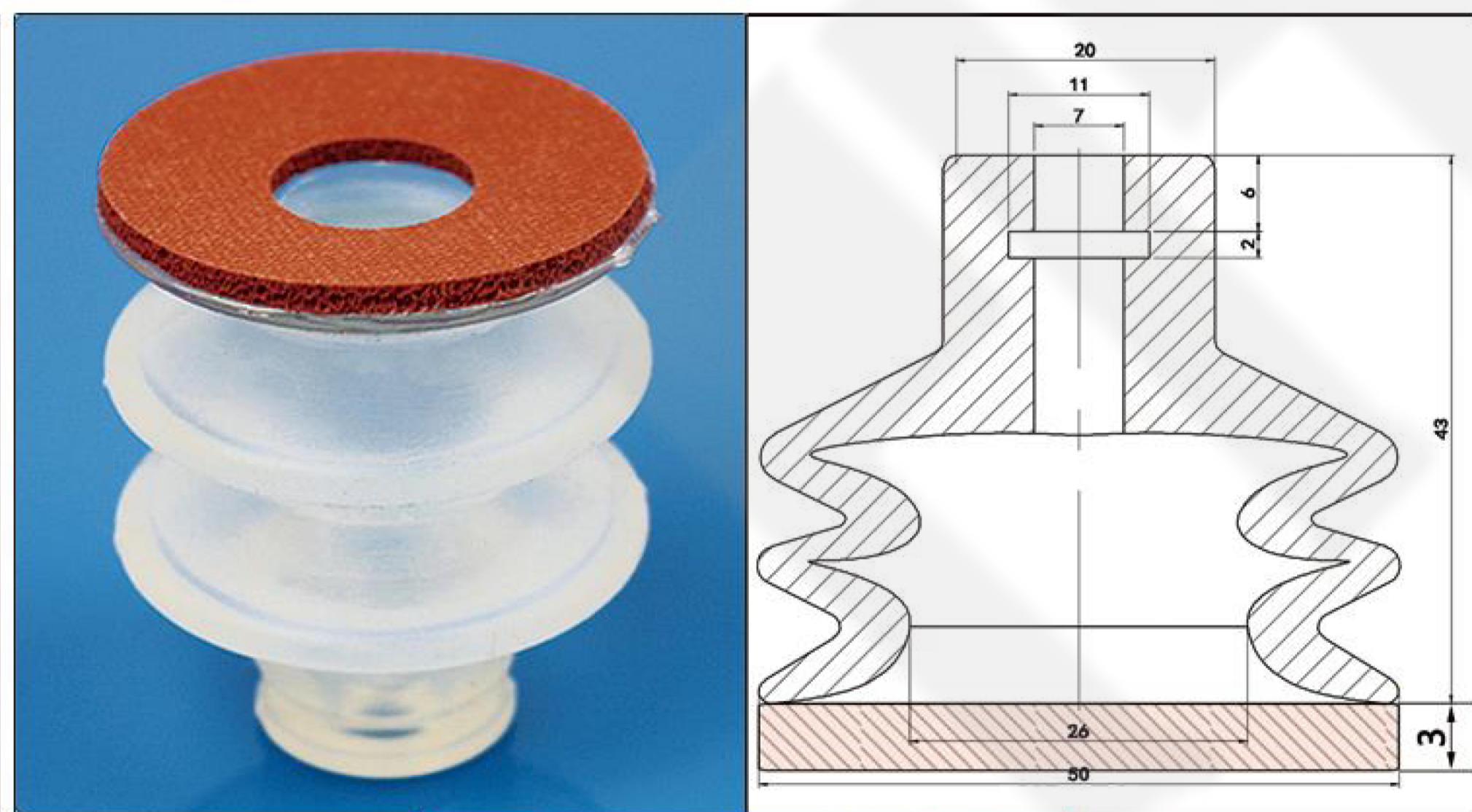
**GMP-25R**



**GMP-30R**



**GMP-40R**



**GMP-50R**