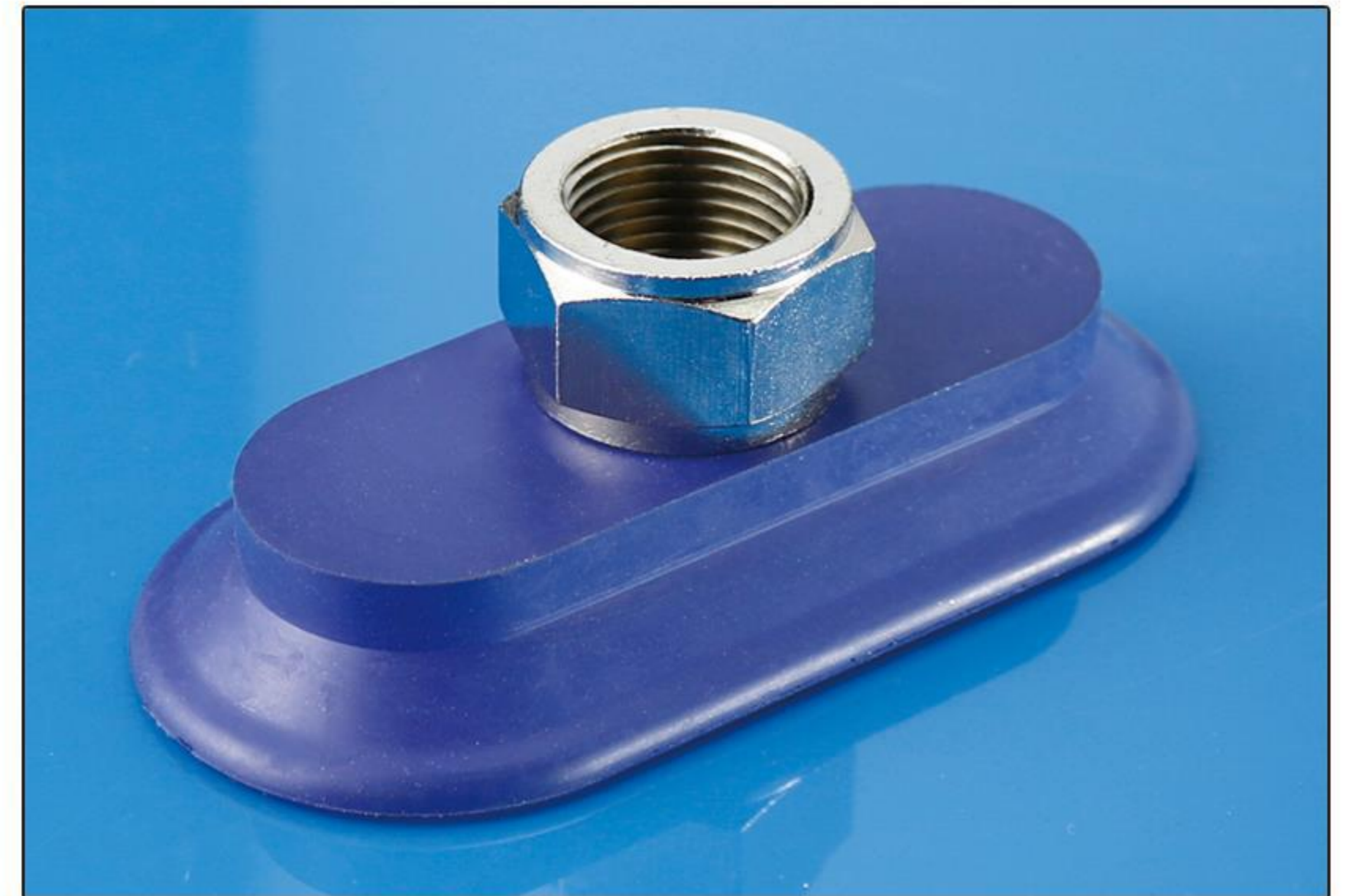
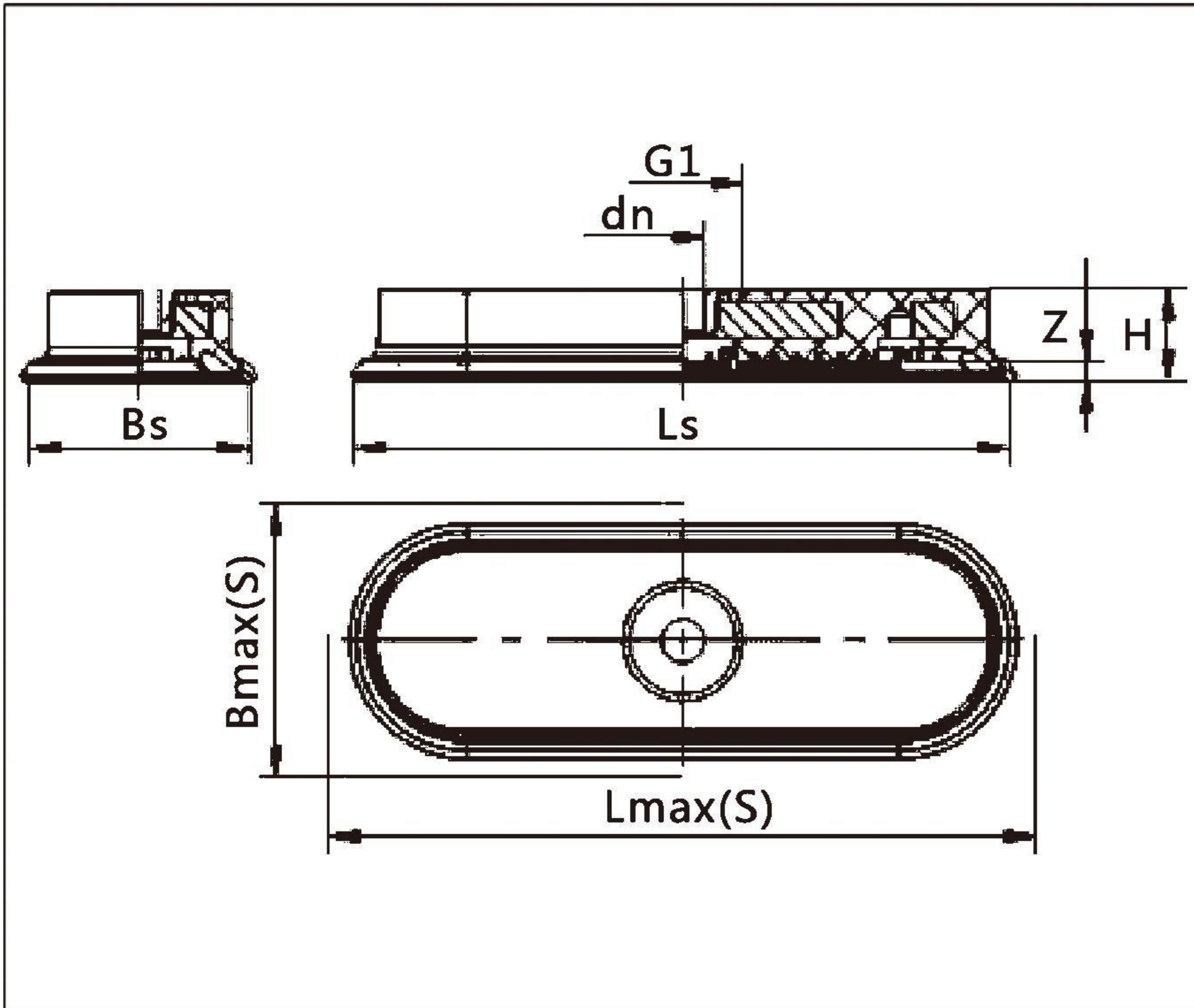


■ GSAOF series (oval type)

- For fast handling of long metal parts with short cycle times
- Handle metal sheets and aluminum plates without deformation
- For handling stamped metal parts of automobiles



Suction Cup Dimensional Data

Unit: mm

Model	G1	dn	Bs	Ls	Z	H	Bmax(S)	Lmax(S)
GSAOF-50×16	G1/8	5	14.6	48.6	3	20	18	52
GSAOF-60×23	G1/8	5	21.6	60.6	3	12	25	64
GSAOF-80×40	G1/8	5	38.6	90.6	4	13	43	85
GSAOF-90×30	G1/8	5	30.6	90.6	3	13	34	94
GSAOF-100×50	G1/4	5	48.1	101.1	5	16	54	106
GSAOF-120×60	G1/4	6	57.6	121.6	6	17	65	128
GSAOF-140×70	G1/4	6	67.6	140.6	6	17	76	149