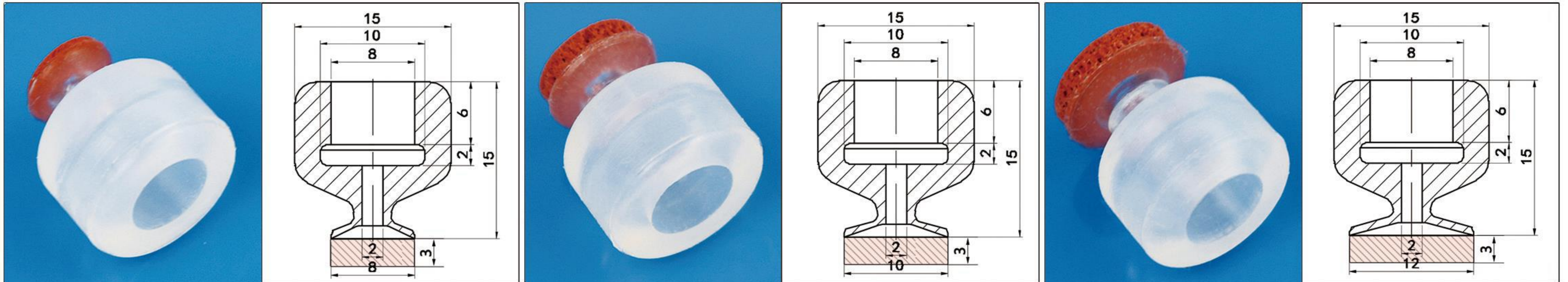


ALMIGHTY

■ Big head red sponge series

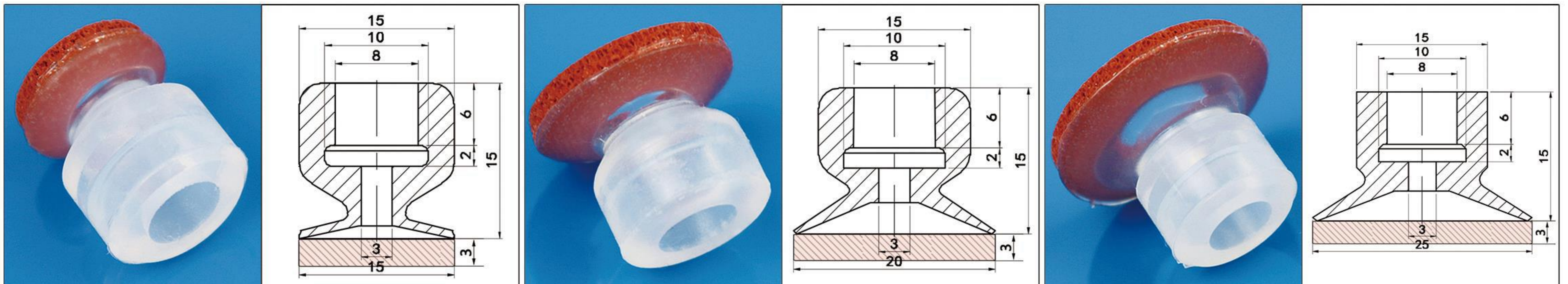
- Suitable for smooth surface mirror workpieces/thin workpieces/irregular textured workpieces
- Rear mounting hole: 8mm single layer (GSP-R) / double layer (GDP-R) / triple layer (GMP-R)
- Sponge thickness: 3mm various specifications



GSP-8R

GSP-10R

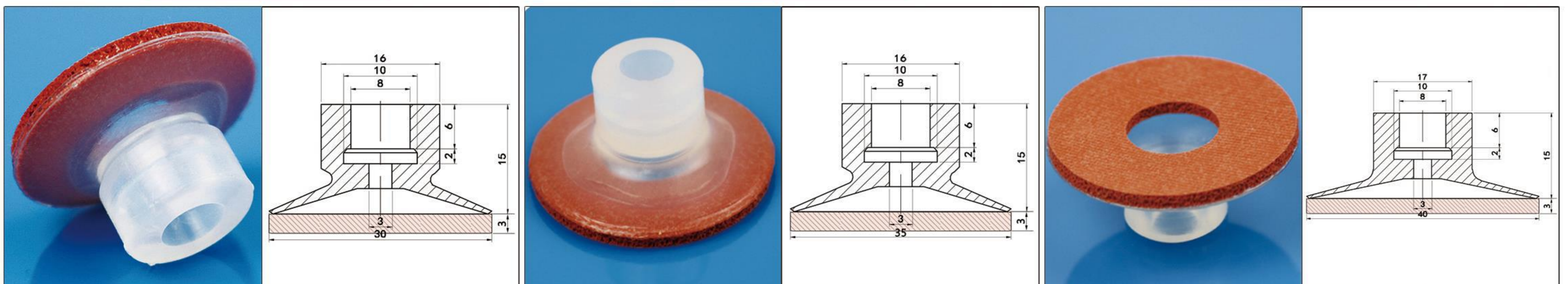
GSP-12R



GSP-15R

GSP-20R

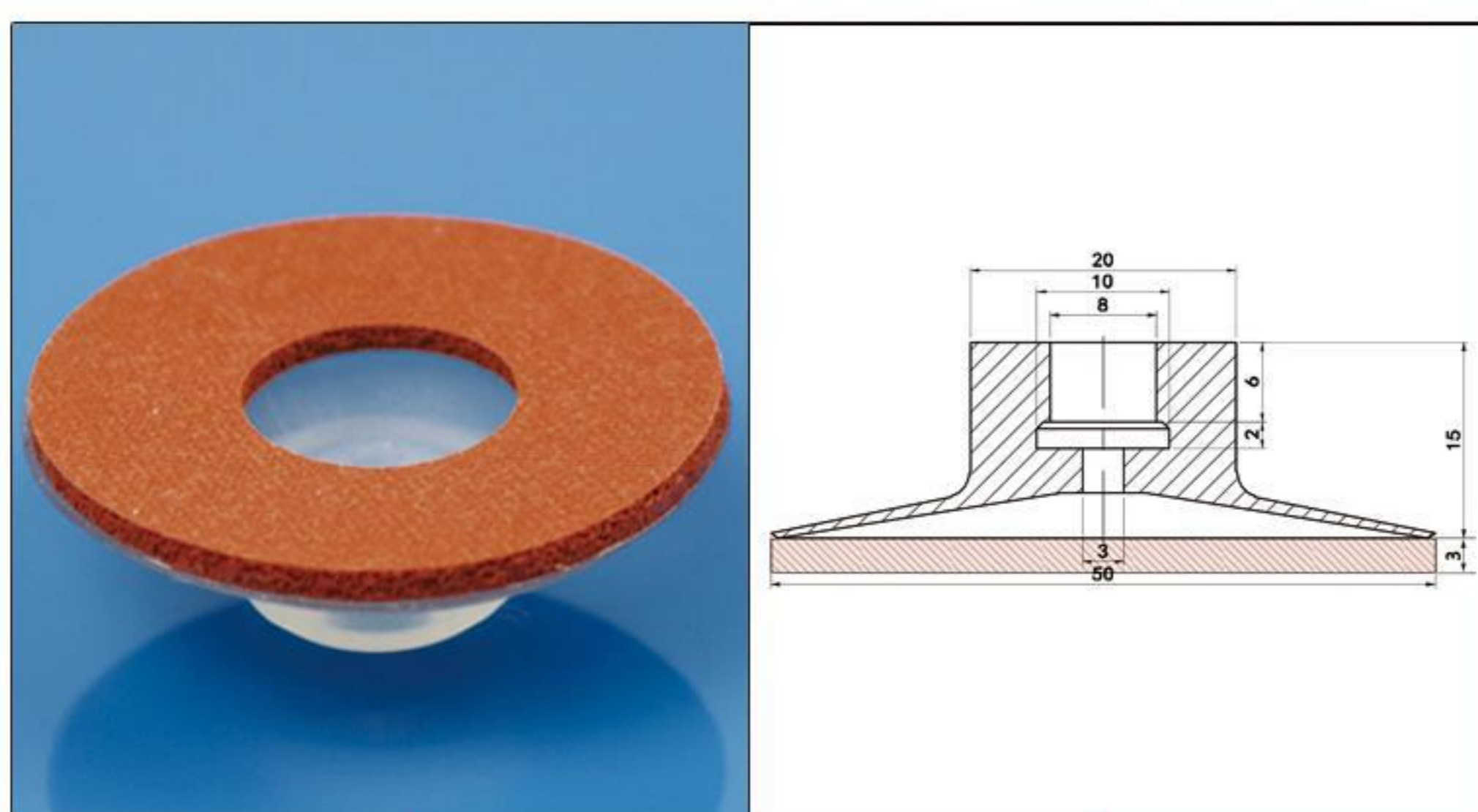
GSP-25R



GSP-30R

GSP-35R

GSP-40R



GSP-50R