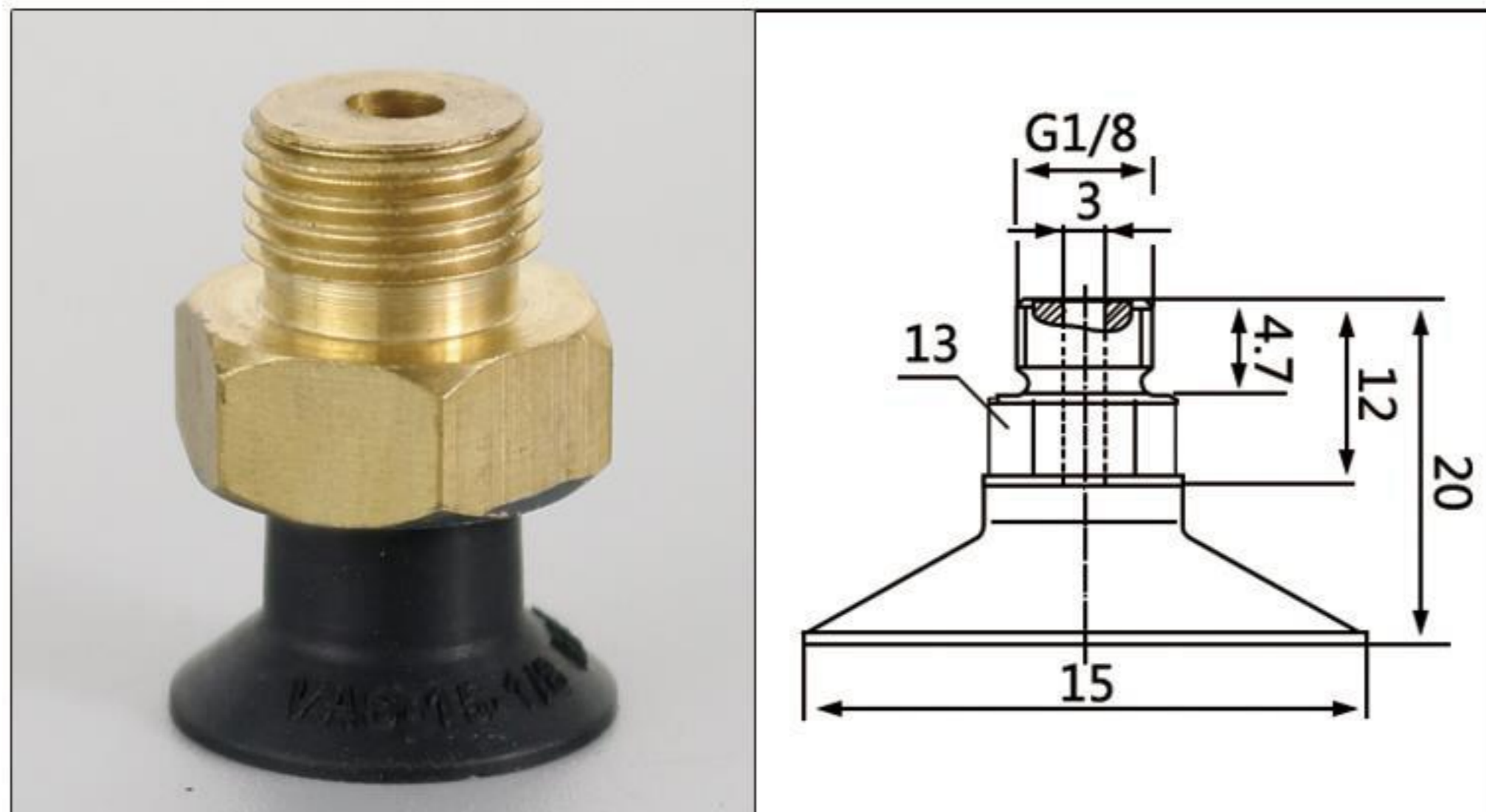
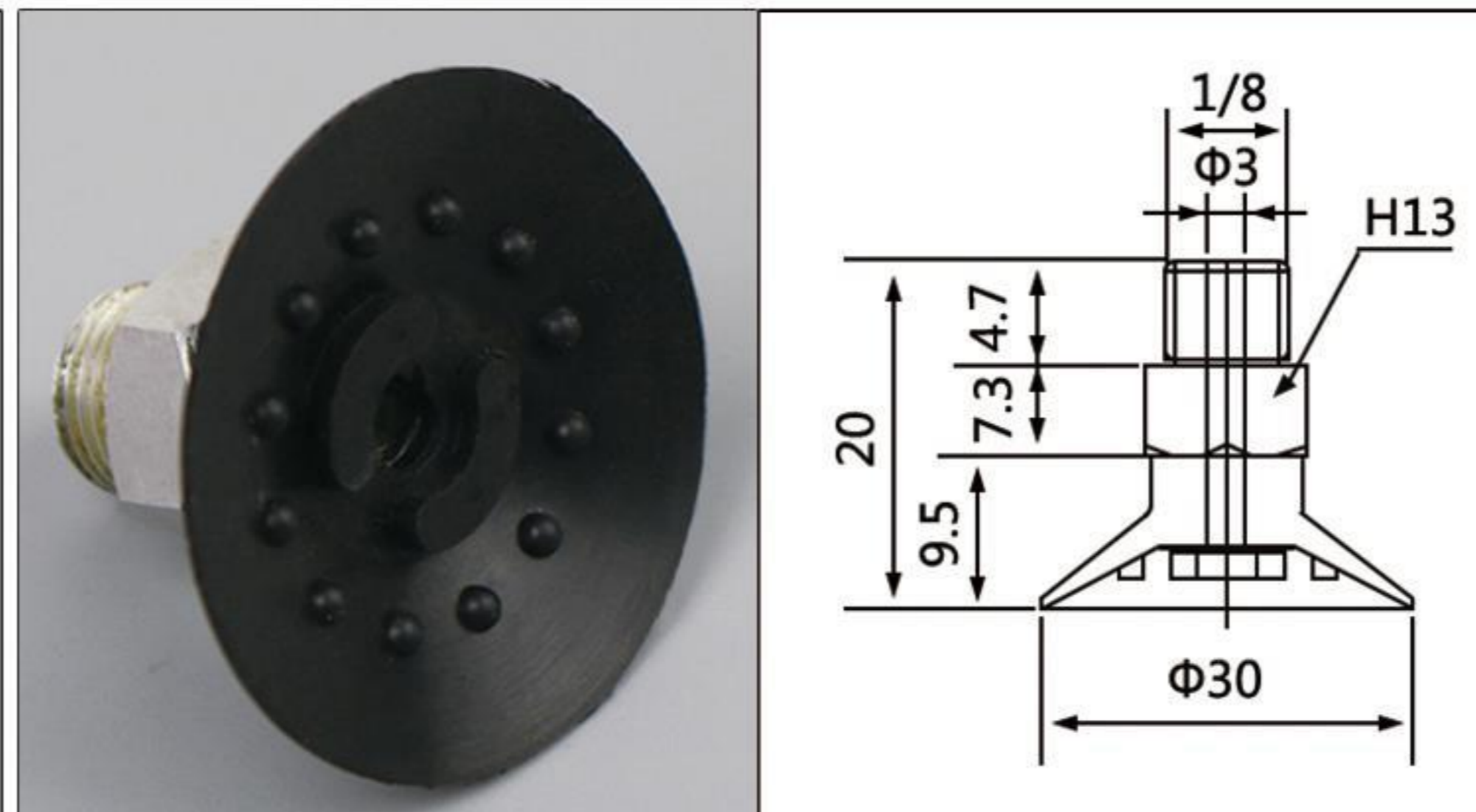


■ GVAS series

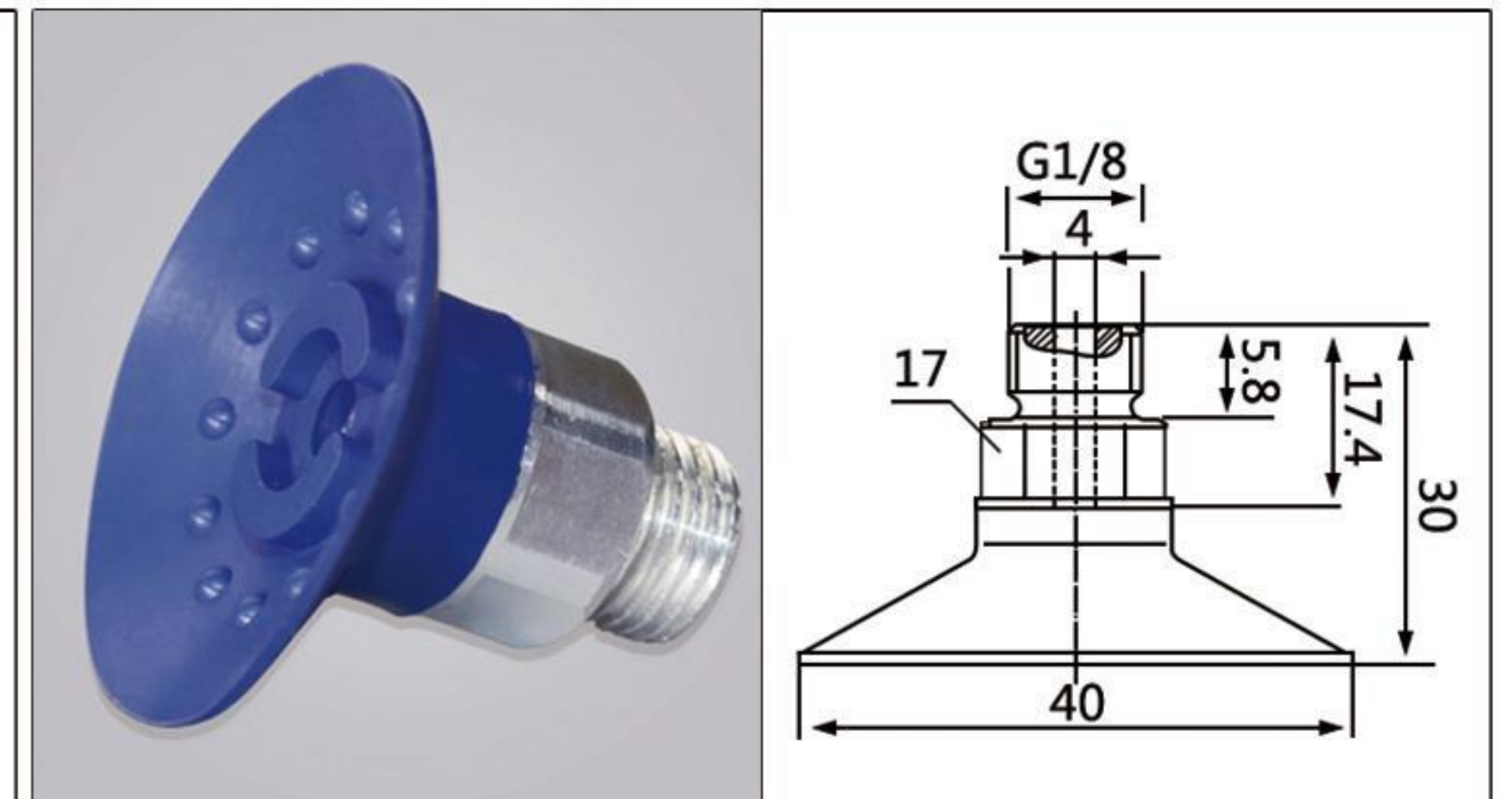
- Adsorption of workpieces with smooth and airtight surfaces
- Contoured suction cups for uneven, curved and sloped workpieces
- Suction cup diameter: 15/30/40/55/75/100/125mm



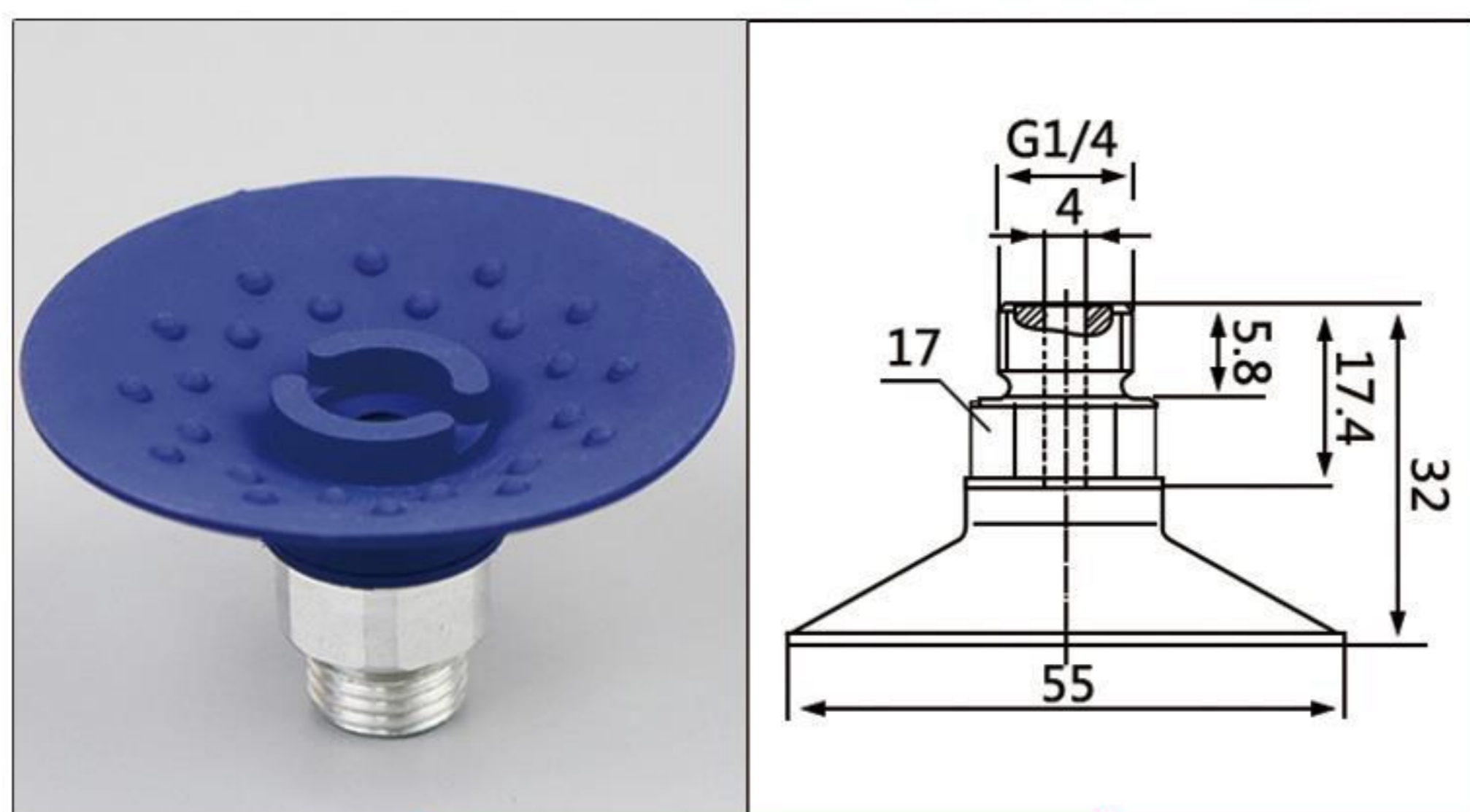
GVAS-15



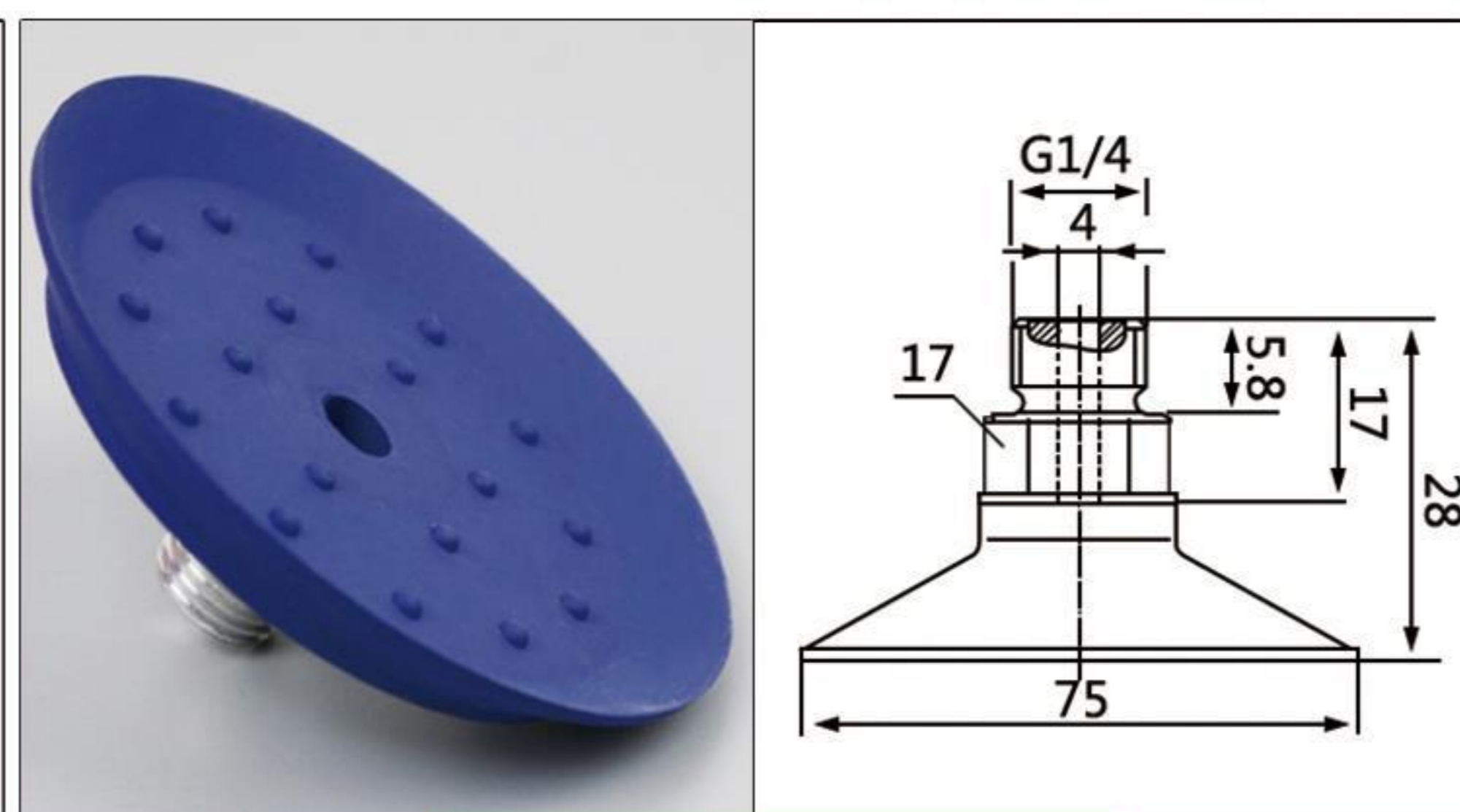
GVAS-30



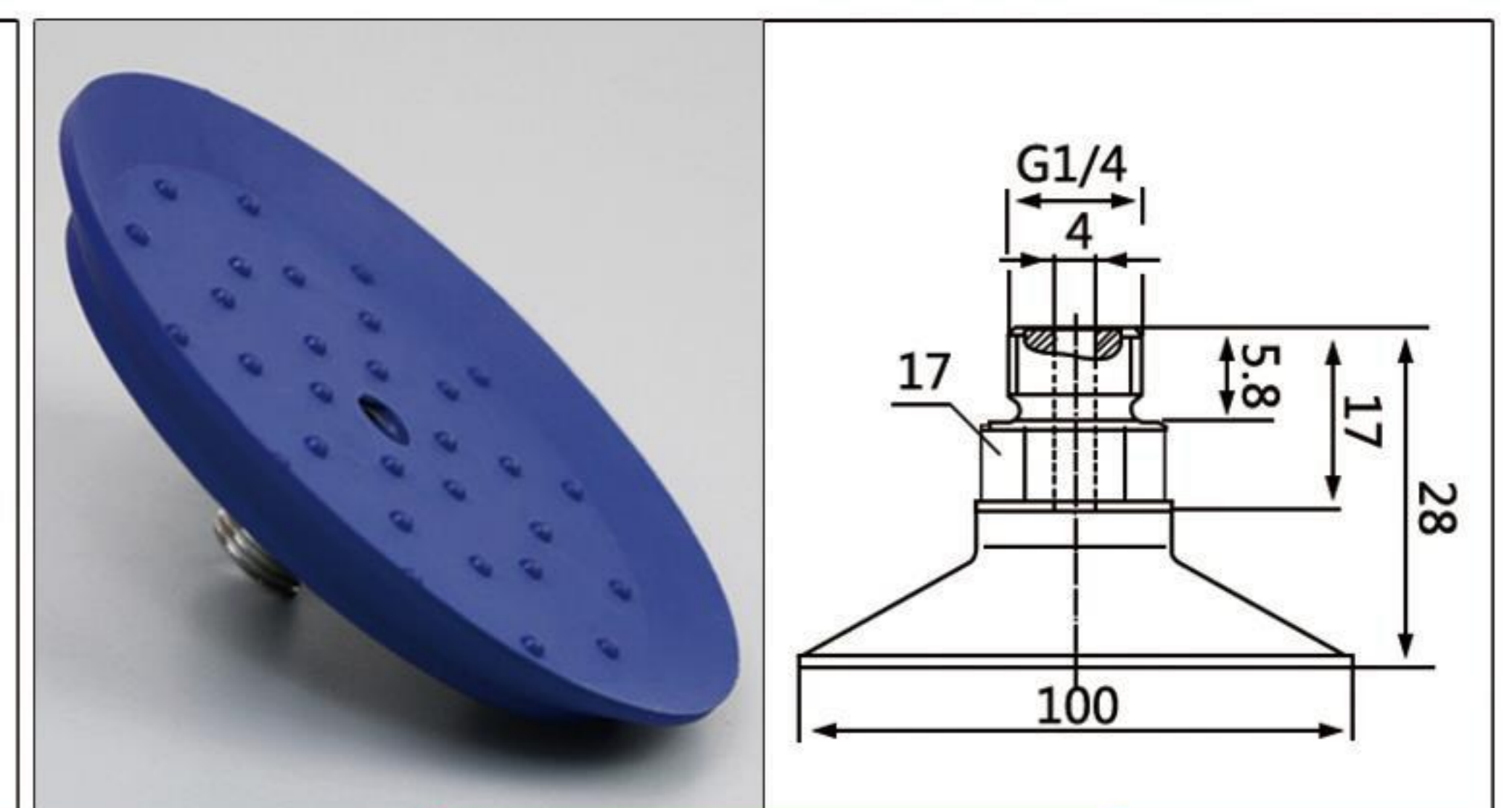
GVAS-40



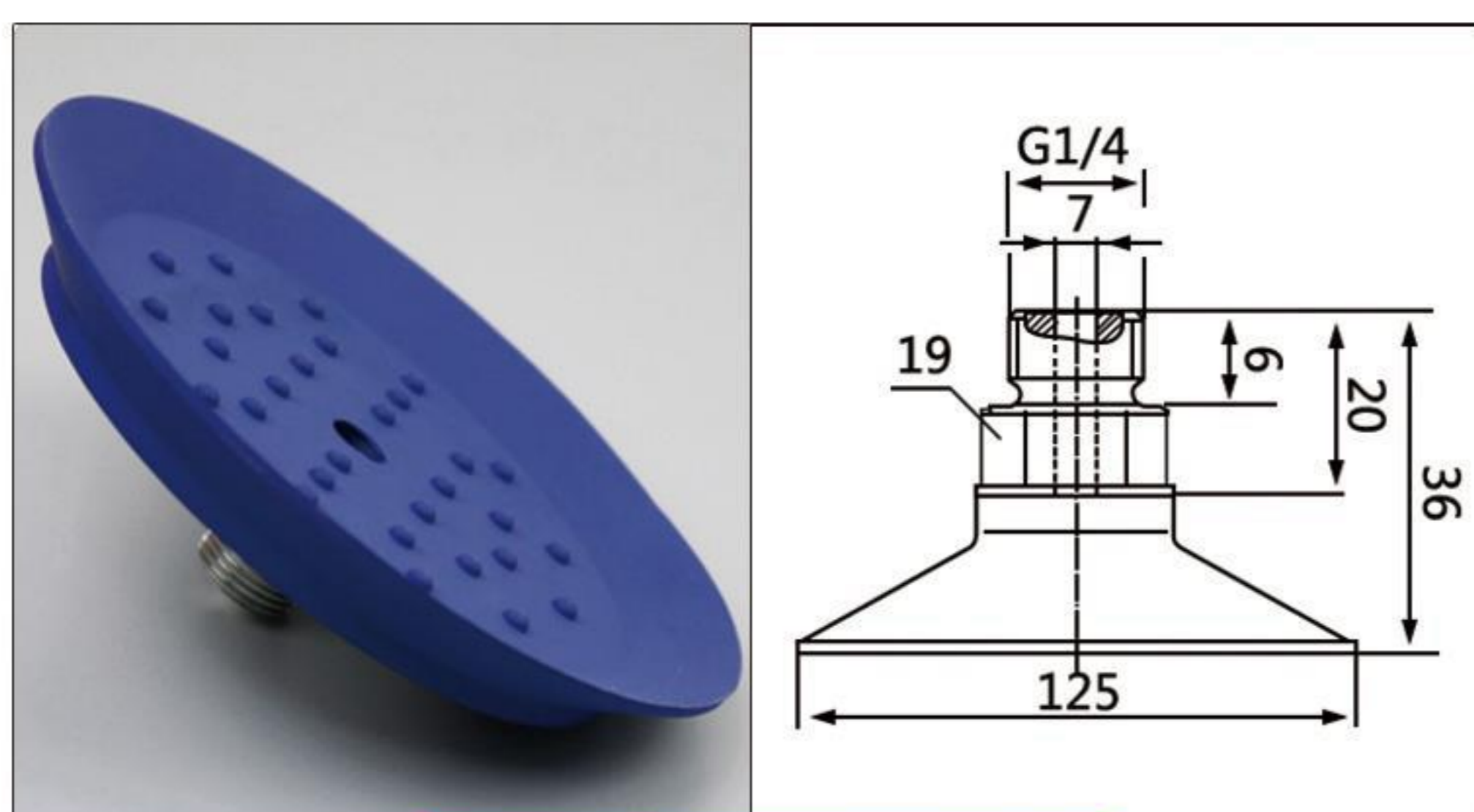
GVAS-55



GVAS-75



GVAS-100



GVAS-125