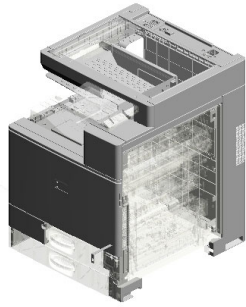


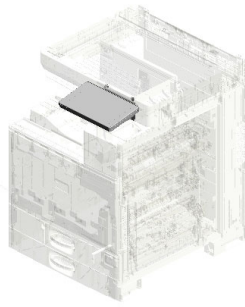
**IM C3010/C3510/GS4030c**  
**(D0E0/D0E1-CHN)**  
**Parts Catalog**

Model	Product Code	PC Style
IM C3010/C3510 Series	D0E0/D0E1	3D
IM C4510/C5510/C6010 Series	D0E2/D0E3/D0E4	3D
IM C2010/C2510 Series	D0DY/D0DZ	3D
Booklet Finisher SR3330	D3K5	3D
Finisher SR3320	D3K4	3D
Platen Cover PN2010	D3KV	3D
ARDF DF3140	D3KK	3D
Caster Table Type M52	D3KV	3D
Punch Unit PU3100	D3KP	3D
Paper Feed Unit PB3340	D3KD	3D
LCIT PB3330	D3KA	3D
Paper Feed Unit PB3310	D3KB	3D
LCIT RT3050	D3K9	3D
Internal Finisher SR3310	D3KG	3D
Bridge Unit BU3100	D3KE	3D
1 Bin Tray BN3140	D3KL	3D
Internal Shift Tray SH3090	D3KJ	3D
Side Tray Type M52	D3KH	3D
Paper Feed Unit PB3320	D3KC	3D
Internal Finisher SR3360	D3KF	3D
Toner Bottle Lock Type M52	D3KW	3D
Banner Paper Guide Tray Type M52	D3KV	3D
Output Jogger Unit Type M52	D3KN	3D
Page Keeper Type M52	D3KR	3D
Card Reader Cover Type M52	D3KV	3D
Stapleless Unit Type M52	D3KM	3D
Punch Unit PU3110	D3KZ	3D
SPDF DF3150	D3K3	3D
Internal Multi-Fold Unit FD3020	D3K8	3D
Booklet Finisher SR3350	D3K6	3D
Finisher SR3340	D3K7	3D
Fax memory Unit Type M52	D3KW	Traditional
Fax Connection Unit Type M52	D3KW	Traditional
Fax Option Type M52	D3KW	Traditional
G3 Interface Unit Type M52	D3KW	Traditional
Camera Direct Print Card Type M52	D3KW	Traditional
OCR Unit Type M52	D3KW	Traditional
XPS Direct Print Option Type M52	D3KW	Traditional
PostScript3 Unit Type M52	D3KW	Traditional
IPDS Unit Type M52	D3KW	Traditional
SD Card for Fonts Type M52	D3KW	Traditional
File Format Converter Type M19	D3BR	Traditional
HDD Option Type M52 320GB	D3KW	Traditional
SSD Option Type M52 1TB	D3KW	Traditional
Device Server Option Type M52	D3KW	Traditional
Enhanced Security SSD Option Type M52 256GB	D3KW	Traditional
Imageable Area Extension Unit Type M19	D3BR	Traditional
IEEE 802.11 a/b/g/n/ac Interface Unit Type M52	D3KW	Traditional
Key Counter Bracket Type M3	D739	Traditional
NFC Card Reader Type M52	D3KV	Traditional
Optional Counter Interface Unit Type M12	B870	Traditional

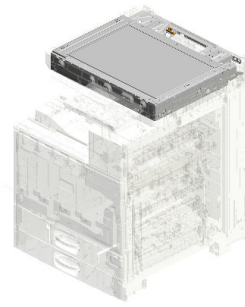
# Unit All



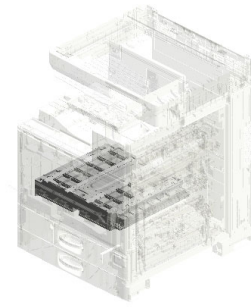
U001  
EXTERIOR



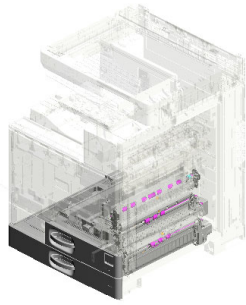
U002  
OPERATION



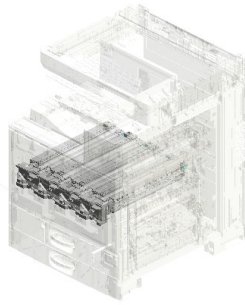
U003  
SCANNER



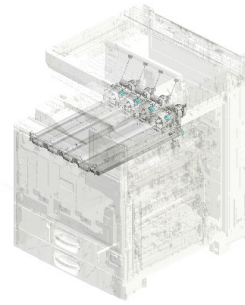
U004  
LASER UNIT



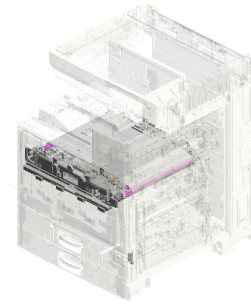
U005  
PAPER FEED



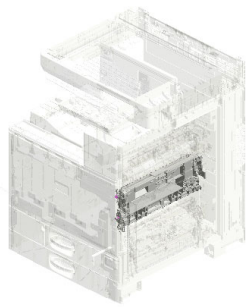
U006  
PCDU



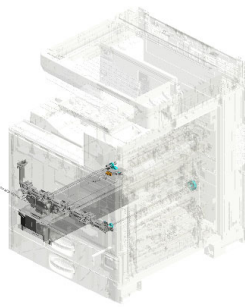
U007  
DEVELOPMENT



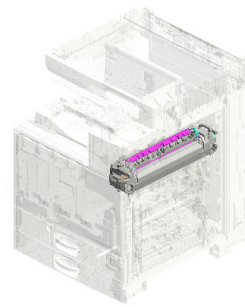
U008  
ITB UNIT



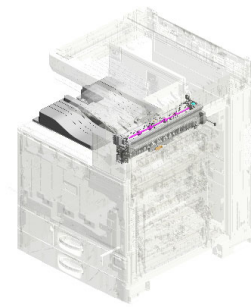
U009  
TRANSFER/SEPARATION



U010  
USED TONER

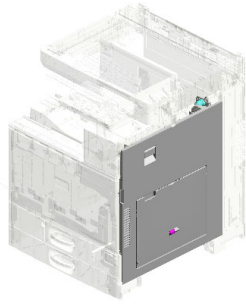


U011  
FUSING

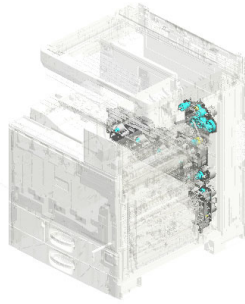


U012  
PAPER EXIT

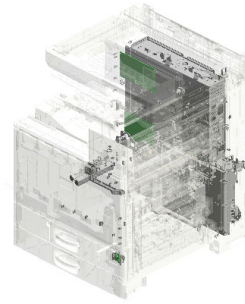
# Unit All



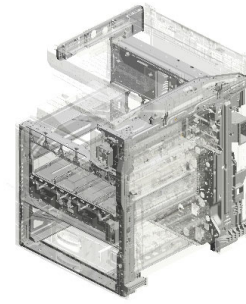
U013  
DUPLEX



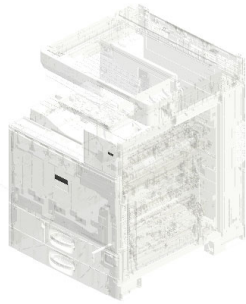
U014  
MAIN DRIVE



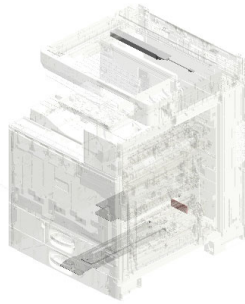
U015  
ELECTRICAL



U016  
MAIN FRAME



U017  
ACCESSORIES



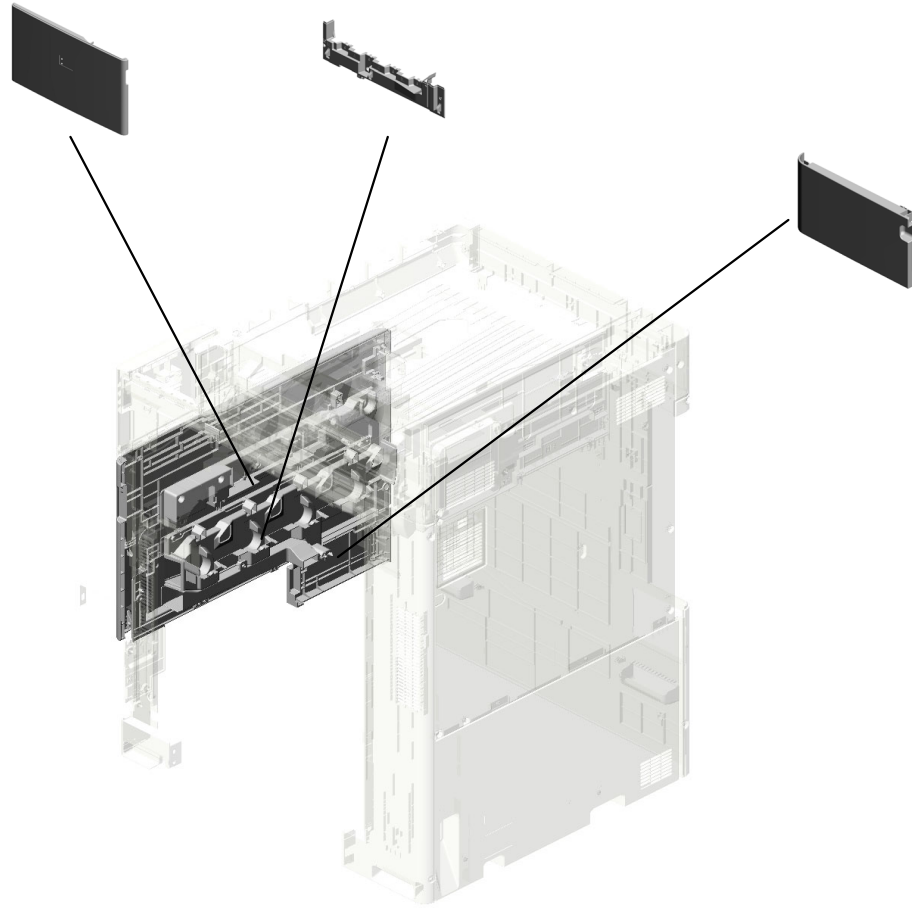
U018  
HEATER

# U001.EXTERIOR

U001 S002  
D0E31240  
COVER:FRONT:ASS'Y

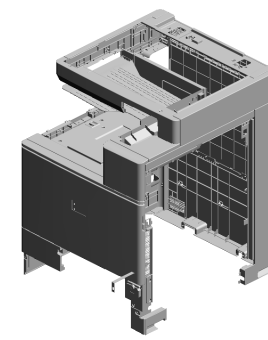
U001 S001  
D0E31274  
INNER COVER:FRONT:LOW  
ER:SUB-ASS'Y

U001 S003  
D0E31246  
COVER:FRONT:USED TONE  
R:ASS'Y



U001	U002	U003	U004	U005	U006	U007	U008	U009	U010	U011	U012	U013	U014	U015	U016	U017	U018
------	------	------	------	------	------	------	------	------	------	------	------	------	------	------	------	------	------

# U001 EXTERIOR



- 25.D0E31248 COVER:FRONT:LENGTHWISE
- 13.D0E31231 COVER:UPPER:FRONT
- 11.D0E11313 (x4) KEY:TYPE:TONER BOTTLE
- 7.AA143537 (x2) SCREW:M3:BLACK
- 1.03603006P (x2) SCREW - M3X6

22.D0E31245  
COVER:FRONT:UPPER

21.D0E31244  
COVER:FRONT:RIGHT UPPER

8.AG070513  
MAGNET CATCH

10.D0E11276  
INNER COVER:TONER BOTTLE

3.04543008N  
(x3)  
TAPPING SCREW:  
ROUND POINT:3X8

14.D0E31232  
COVER:UPPER:EXT

2.04513008N  
(x11)  
TAPPING SCREW -  
M3X8

12.D0E31230  
COVER:UPPER:

16.D0E31234  
COVER:UPPER:INNER BACK:MIDDLE

26.D0E31250  
COVER:LEFT

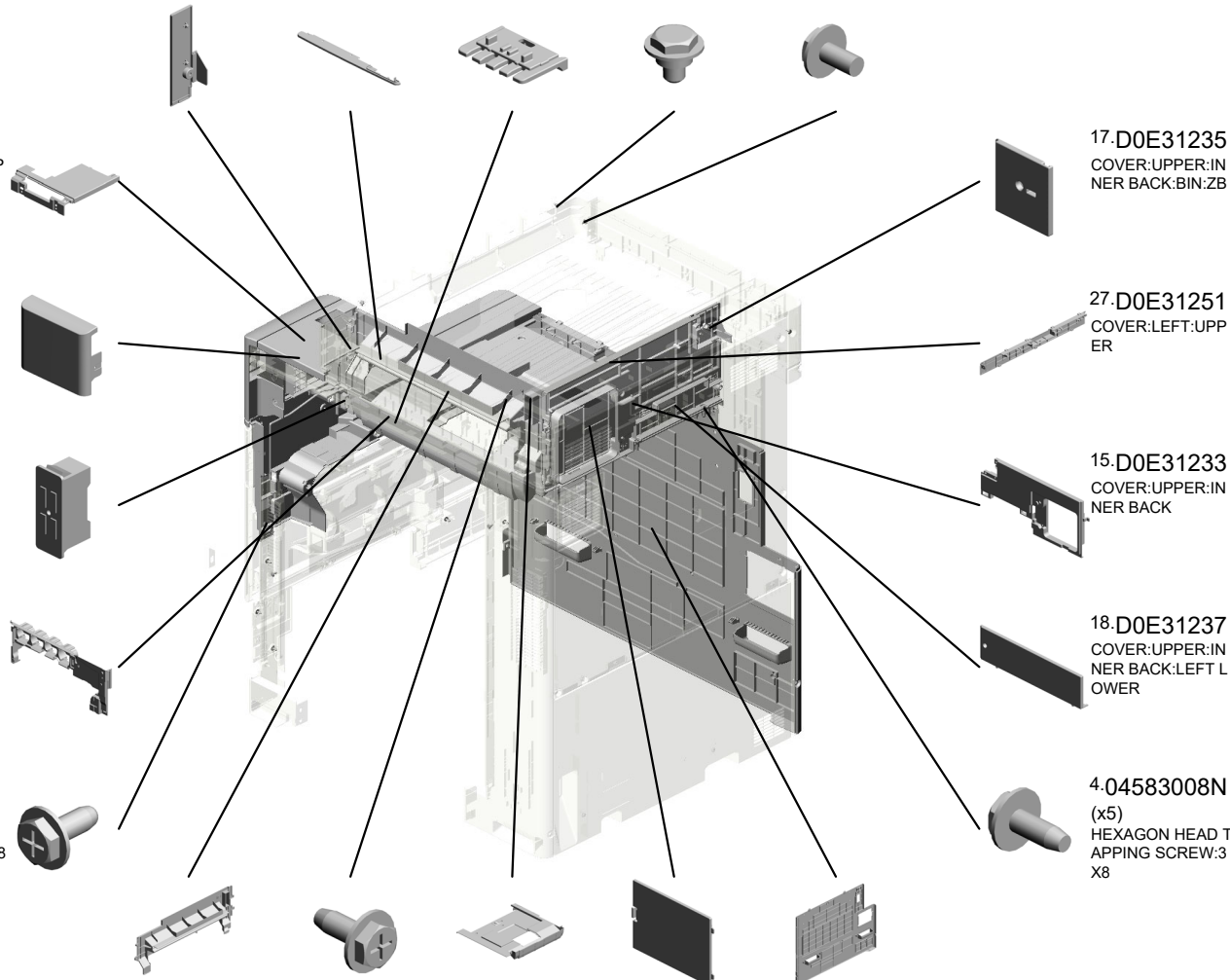
17.D0E31235  
COVER:UPPER:INNER BACK:BIN:INNER

27.D0E31251  
COVER:LEFT:UPPER

15.D0E31233  
COVER:UPPER:INNER BACK

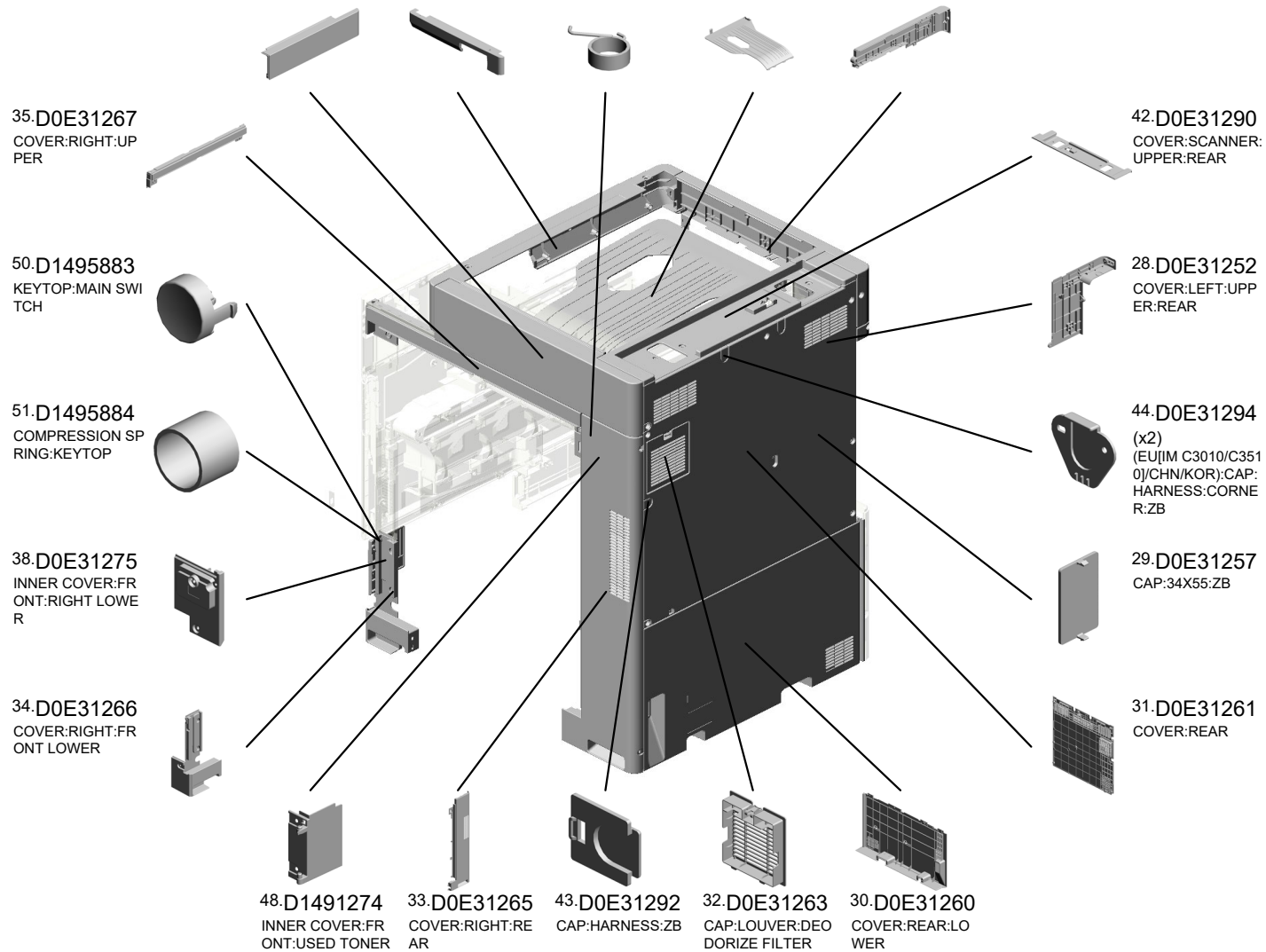
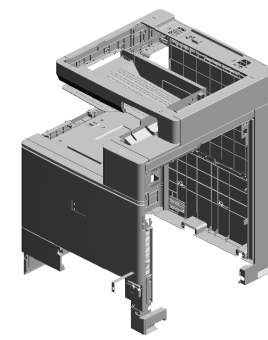
18.D0E31237  
COVER:UPPER:INNER BACK:LEFT LOWER

4.04583008N  
(x5)  
HEXAGON HEAD TAPPING SCREW:3X8



# U001 EXTERIOR

- 41.D0E31287 COVER:SCANNER:RIGHT
- 39.D0E31281 COVER:SCANNER:FRONT
- 49.D1491278 TORSION SPRING:COVER:USED TONER
- 45.D0E34492 TRAY:REVERSE
- 40.D0E31284 COVER:SCANNER:LEFT

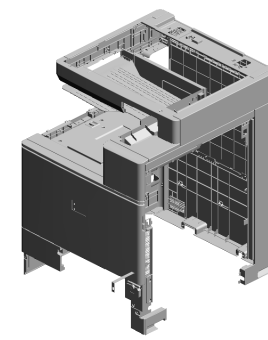


U001  
EXTERIOR

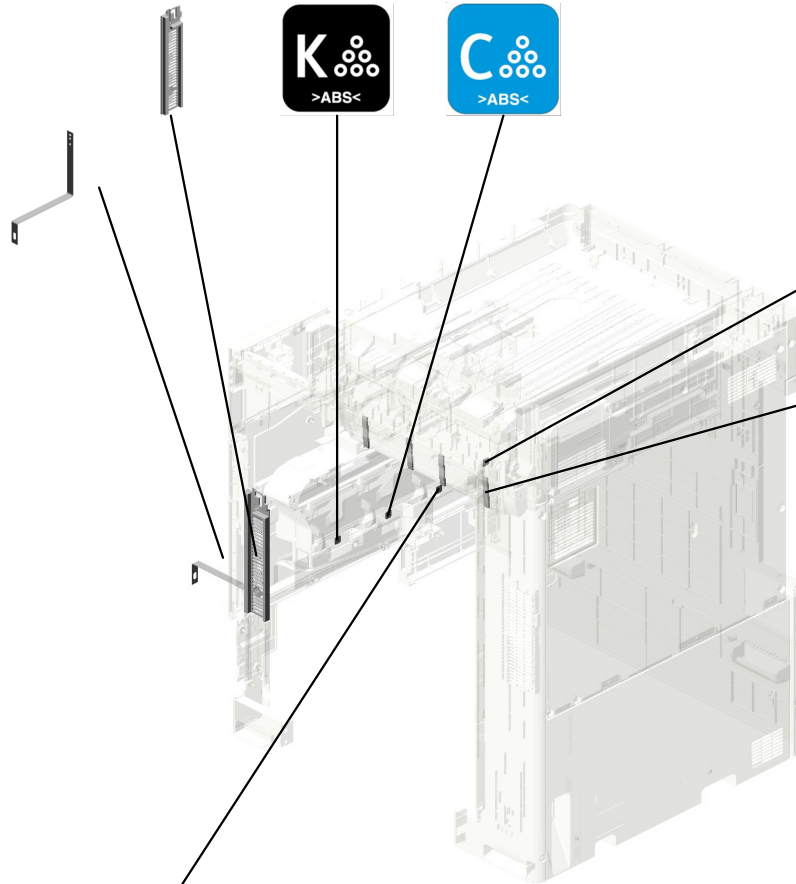
56.D2411298  
INNER COVER:RIG  
HT

52.D1496893  
DECAL:PCU:BLAC  
K

53.D1496894  
DECAL:PCU:CYAN  
K



57.D2411308  
BAND:STOPPER:DO  
OR



55.D1496896  
DECAL:PCU:YELL  
OW

59.D2414458  
(x4)  
GUIDE:COVER:UP  
PER

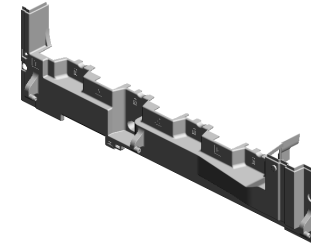
54.D1496895  
DECAL:PCU:MAGE  
NTA

U001	U002	U003	U004	U005	U006	U007	U008	U009	U010	U011	U012	U013	U014	U015	U016	U017	U018
------	------	------	------	------	------	------	------	------	------	------	------	------	------	------	------	------	------



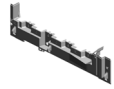
U001\_S001  
INNER COVER:FRONT:LOWER:SUB-ASS'Y

36.D0E31273  
INNER COVER:FR  
ONT:LOWER

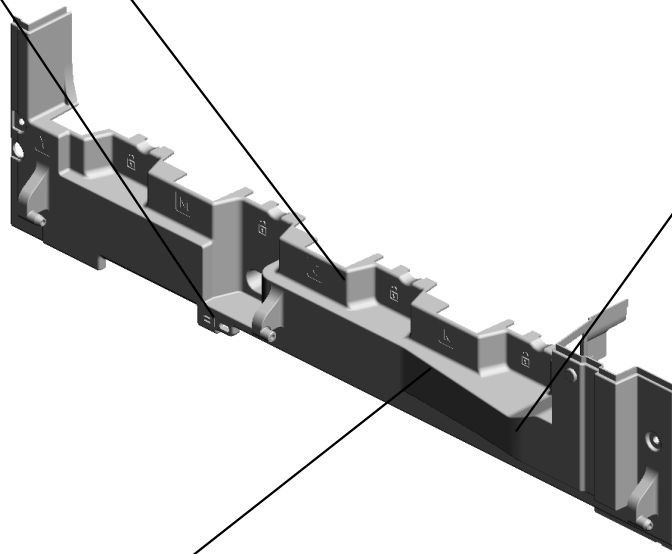


37.D0E31274  
INNER COVER:FR  
ONT:LOWER:SUB-  
ASS'Y

6.AA021031  
MAGNETIC CATCH



4.04583008N  
(x3)  
HEXAGON HEAD T  
APPING SCREW:3  
X8



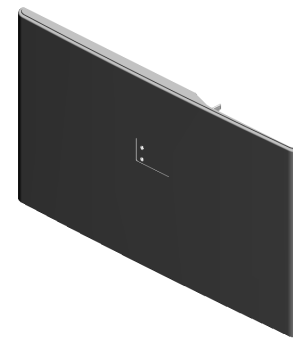
60.D2417913  
DUCT:OPTICAL W  
RITING UNIT



U001	U002	U003	U004	U005	U006	U007	U008	U009	U010	U011	U012	U013	U014	U015	U016	U017	U018
------	------	------	------	------	------	------	------	------	------	------	------	------	------	------	------	------	------

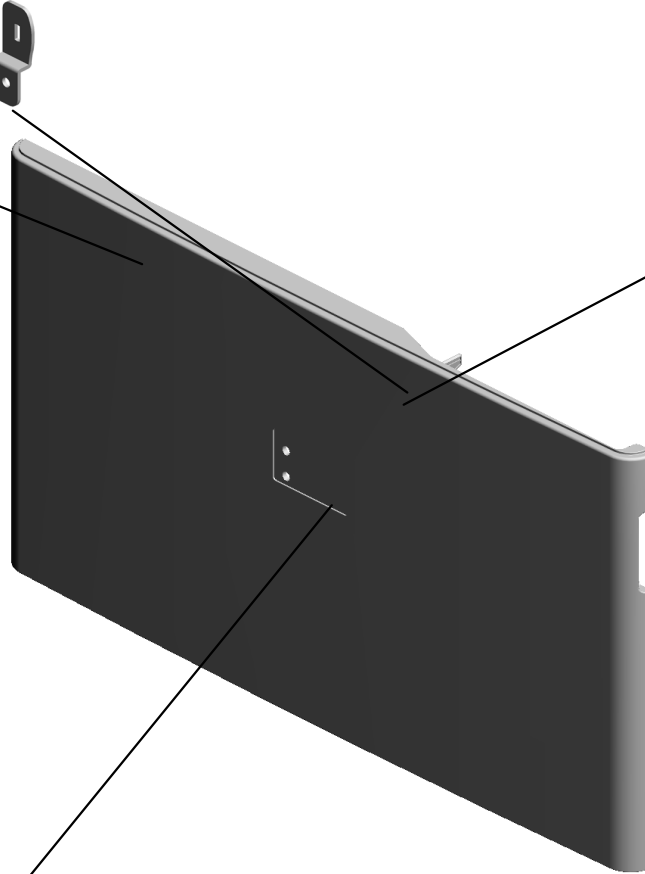
U001\_S002  
COVER:FRONT:ASS'Y

58.D2411309  
MAGNET CATCH



19.D0E31240  
COVER:FRONT:AS  
SY

46.D0E36859  
DECAL:CLEANING:  
SHIELD GLASS



4.04583008N  
HEXAGON HEAD T  
APPING SCREW:3  
X8

20.D0E31242  
COVER:FRONT:PE  
EN\_



U001	U002	U003	U004	U005	U006	U007	U008	U009	U010	U011	U012	U013	U014	U015	U016	U017	U018
------	------	------	------	------	------	------	------	------	------	------	------	------	------	------	------	------	------

U001\_S003  
COVER:FRONT:USED TONER:ASS'Y

5:52062686  
SNAP RING

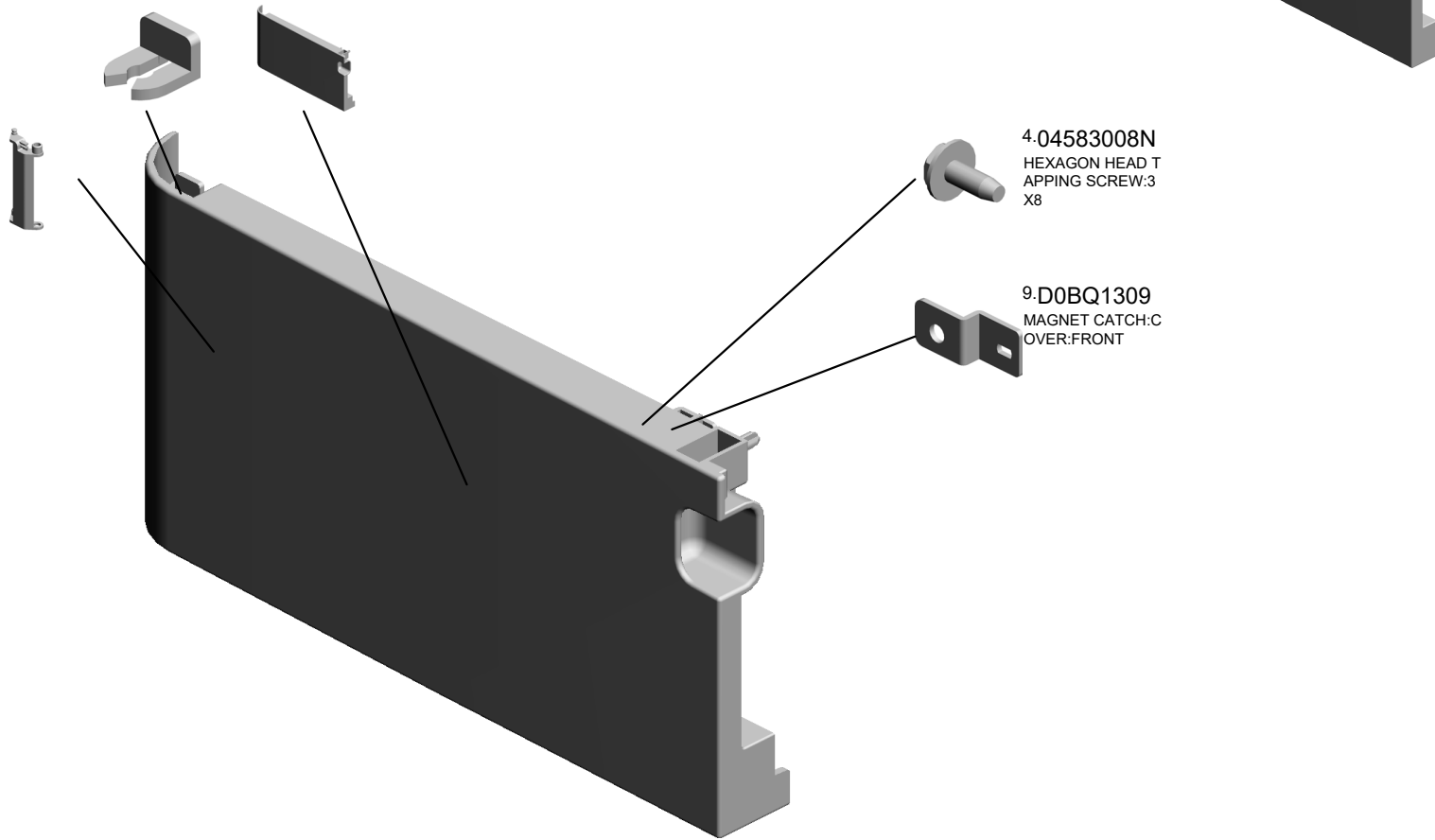
24:D0E31247  
COVER:FRONT:US  
ED TONER\_

23:D0E31246  
COVER:FRONT:US  
ED TONER:ASS'Y

47:D1491248  
HINGE:COVER:FR  
ONT:USED TONER

4:04583008N  
HEXAGON HEAD T  
APPING SCREW:3  
X8

9:D0BQ1309  
MAGNET CATCH:C  
OVER:FRONT



U001	U002	U003	U004	U005	U006	U007	U008	U009	U010	U011	U012	U013	U014	U015	U016	U017	U018
------	------	------	------	------	------	------	------	------	------	------	------	------	------	------	------	------	------

# U002.OPERATION

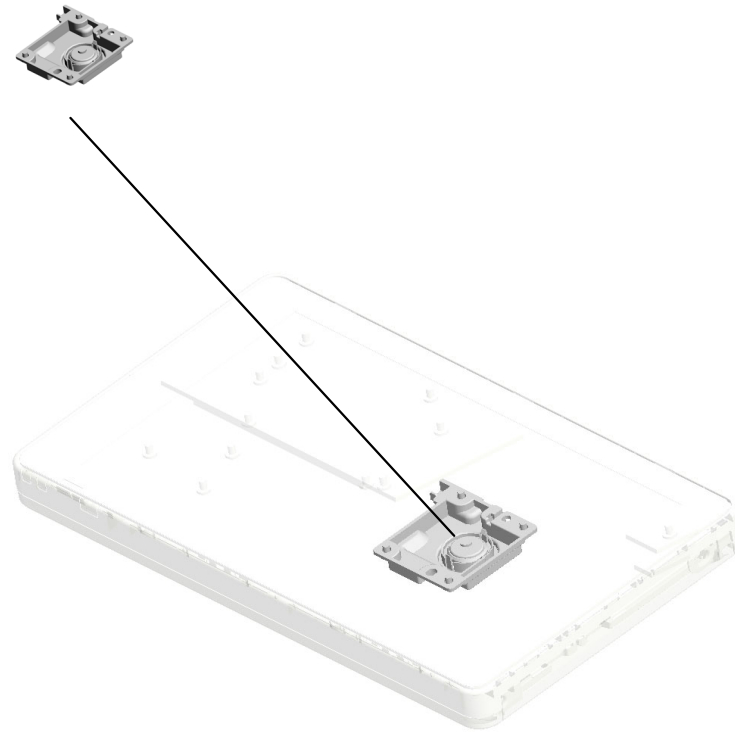
U002 S001  
D0E31517  
(CHN):OPERATION SUB-UNI  
T:COMMON:ASSY



U001	<b>U002</b>	U003	U004	U005	U006	U007	U008	U009	U010	U011	U012	U013	U014	U015	U016	U017	U018
------	-------------	------	------	------	------	------	------	------	------	------	------	------	------	------	------	------	------

# U002\_S001.(CHN):OPERATION SUB-UNIT:COMMON:ASS'Y

U002 S001 S001  
D0E31550  
SPEAKER:ASS'Y



U001	<b>U002</b>	U003	U004	U005	U006	U007	U008	U009	U010	U011	U012	U013	U014	U015	U016	U017	U018
------	-------------	------	------	------	------	------	------	------	------	------	------	------	------	------	------	------	------

# U002 OPERATION

22.D0E31554 GUIDE:OPERATION SUB-UNIT:HARN  
ESS

15.D0E31524 HINGE:LEFT

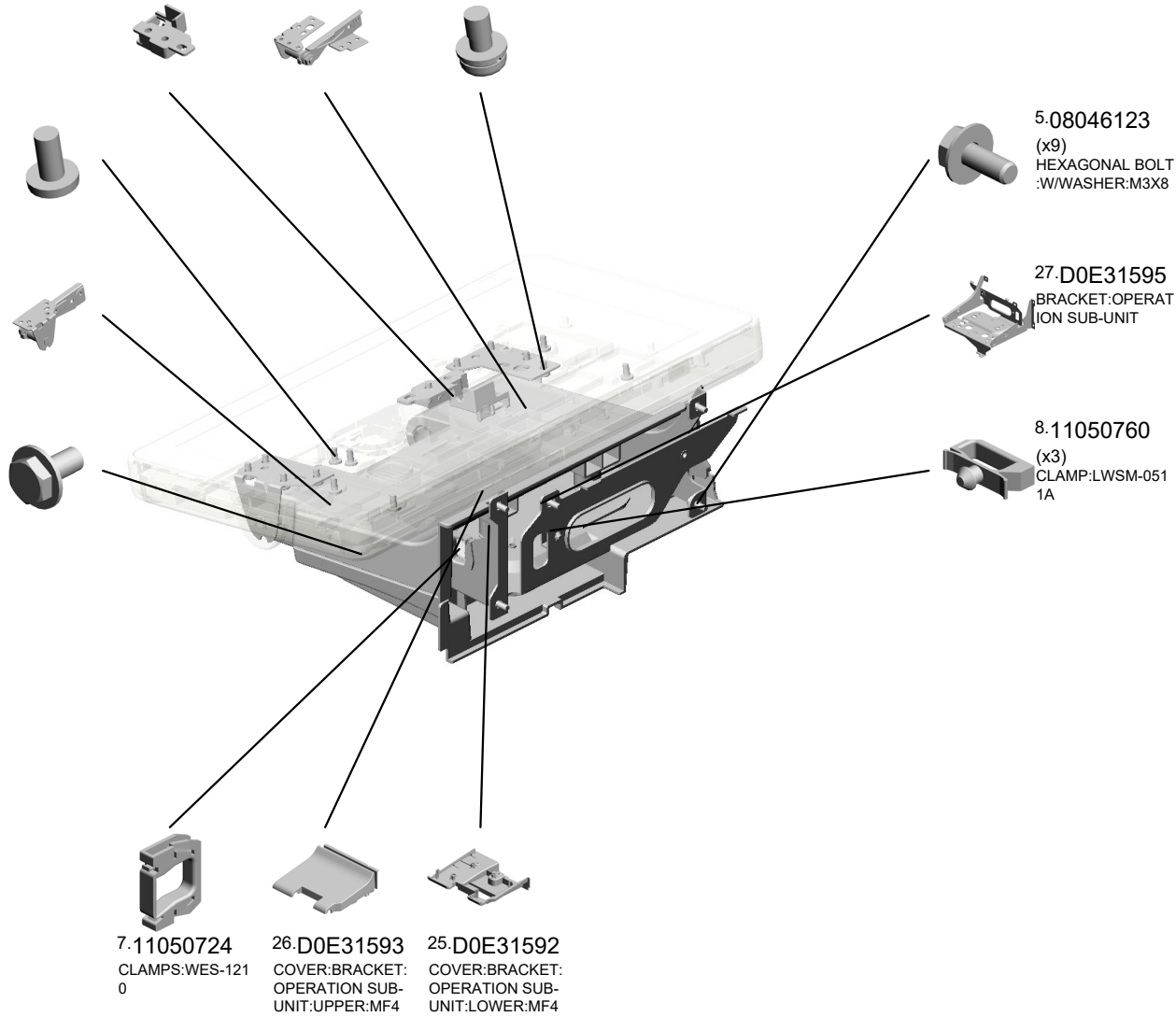
6.09573006N (x8) SCREW:SMALL ROUND/SPRING:M3X6



2.03530060P (x8) SCREW:M3X6

14.D0E31523 HINGE:RIGHT

3.03603006N SCREW - M3X6



U002\_S001  
 (CHN):OPERATION SUB-UNIT:COMMON:ASS'Y

- 18.D0E31547 COVER:OPERATION SUB-UNIT:KEY SWITCH
- 17.D0E31546 KEYTOP:OPERATION SUB-UNIT:SERVICE
- 11.D0DY5114 (CHN):PCB:SYSTEM:SUB-ASS'Y
- 10.D0DY5101 PCB:IO:SUB-ASS'Y

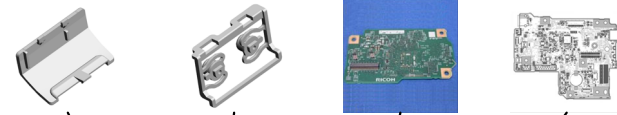


- 13.D0E31517 (CHN):OPERATION SUB-UNIT:COMMON:ASS'Y

- 24.D0E31556 (x2) CUSHION:LCD:S

- 4.04593008N (x8) BINDING HEAD TAPPING SCREW:3X8

- 23.D0E31555 (x2) CUSHION:LCD:L



- 20.D0E31549 COVER:OPERATION SUB-UNIT:USB

- 9.D0BQ5534 PCB:LED

- 6.09573006N (x11) SCREW:SMALL ROUND/SPRING:M3X6

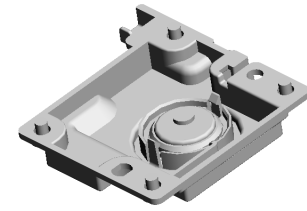
- 19.D0E31548 COVER:OPERATION SUB-UNIT:RIGHT

- 12.D0E31516 TOUCH PANEL:ASS'Y
- 16.D0E31545 COVER:OPERATION SUB-UNIT:REAR
- 1.03530040P (x16) SCREW - M3X4

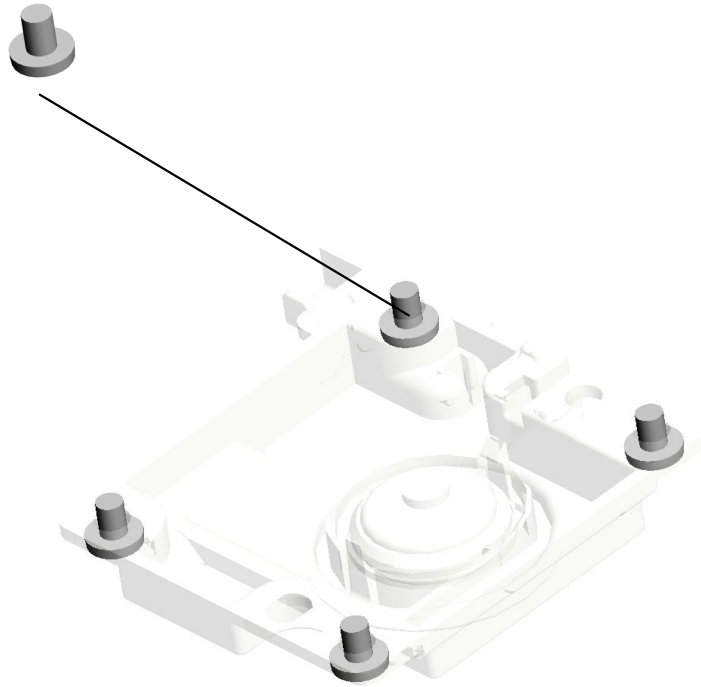
U001	U002	U003	U004	U005	U006	U007	U008	U009	U010	U011	U012	U013	U014	U015	U016	U017	U018
------	------	------	------	------	------	------	------	------	------	------	------	------	------	------	------	------	------

U002\_S001\_S001  
SPEAKER:ASS'Y

1-03530040P  
(x4)  
SCREW - M3X4



21.D0E31550  
SPEAKER:ASS'Y

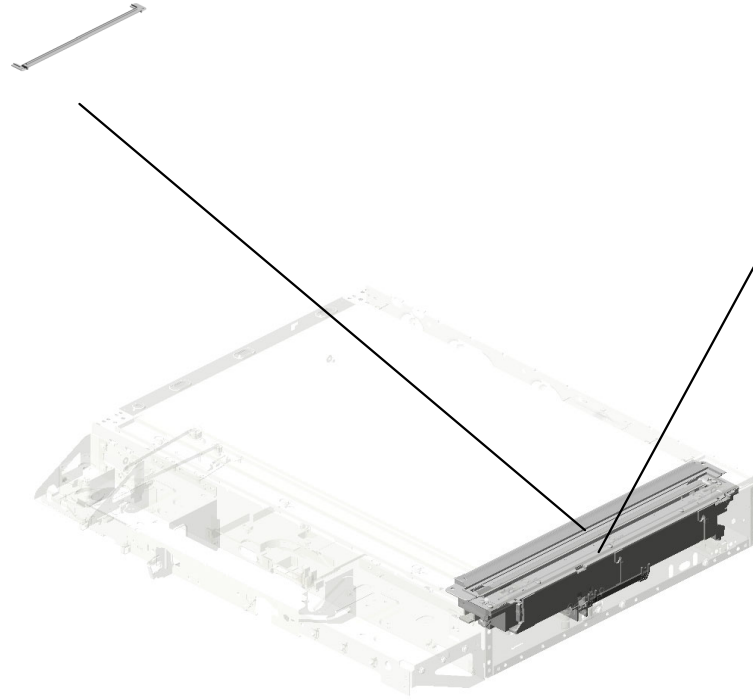


U001	U002	U003	U004	U005	U006	U007	U008	U009	U010	U011	U012	U013	U014	U015	U016	U017	U018
------	------	------	------	------	------	------	------	------	------	------	------	------	------	------	------	------	------



# U003.SCANNER

U003 S002  
D0E31732  
(EU/AA/TWN/IND/CHN/KOR):  
SCALE:LEFT:MM:ASSY

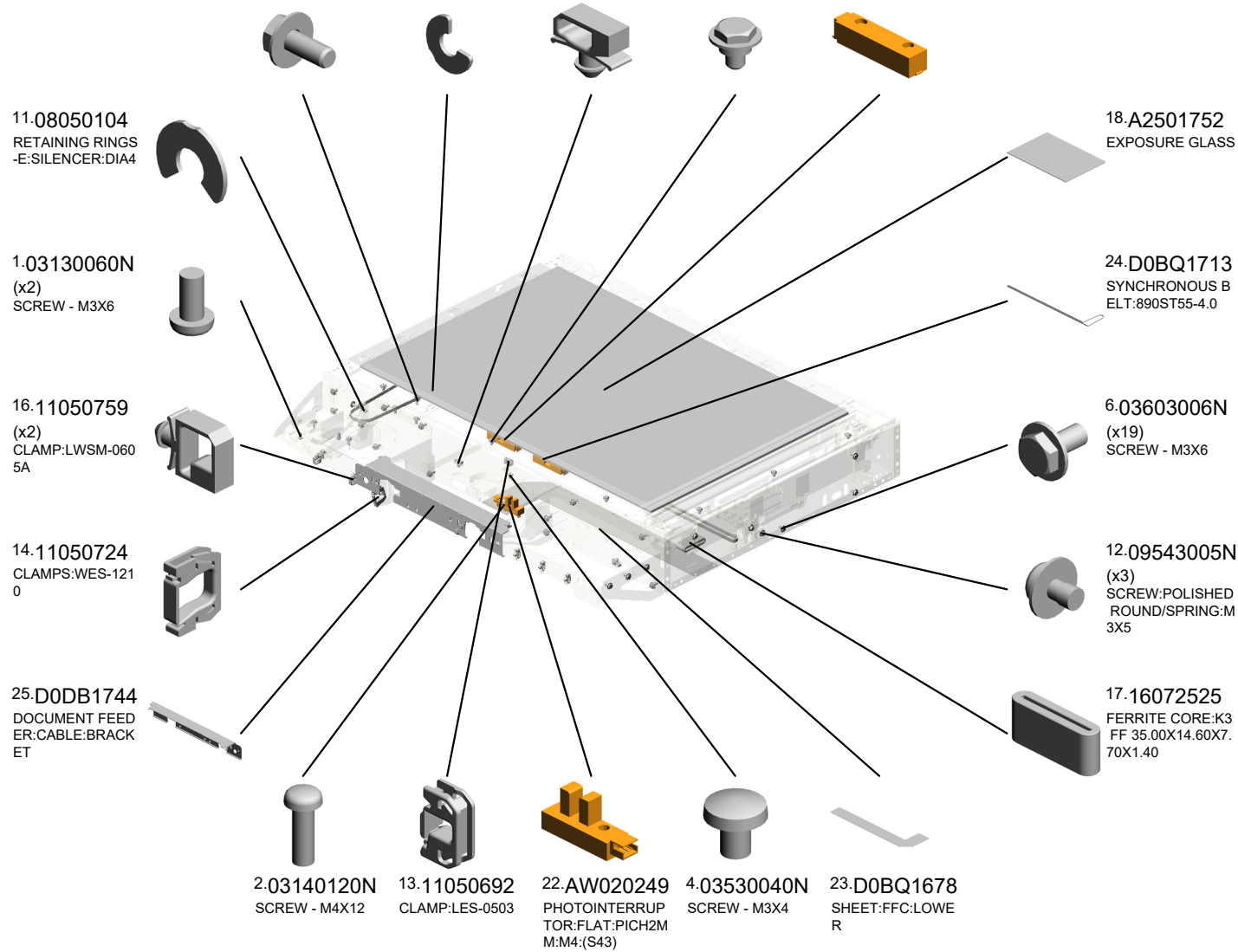
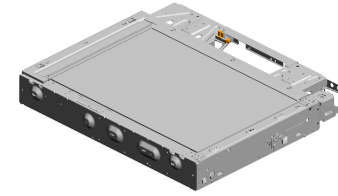


U003 S001  
D0E31640  
OPTICAL READING UNIT:CA  
RRRIAGE:SCANNER:IMC2010-  
6010

U001	U002	U003	U004	U005	U006	U007	U008	U009	U010	U011	U012	U013	U014	U015	U016	U017	U018
------	------	------	------	------	------	------	------	------	------	------	------	------	------	------	------	------	------

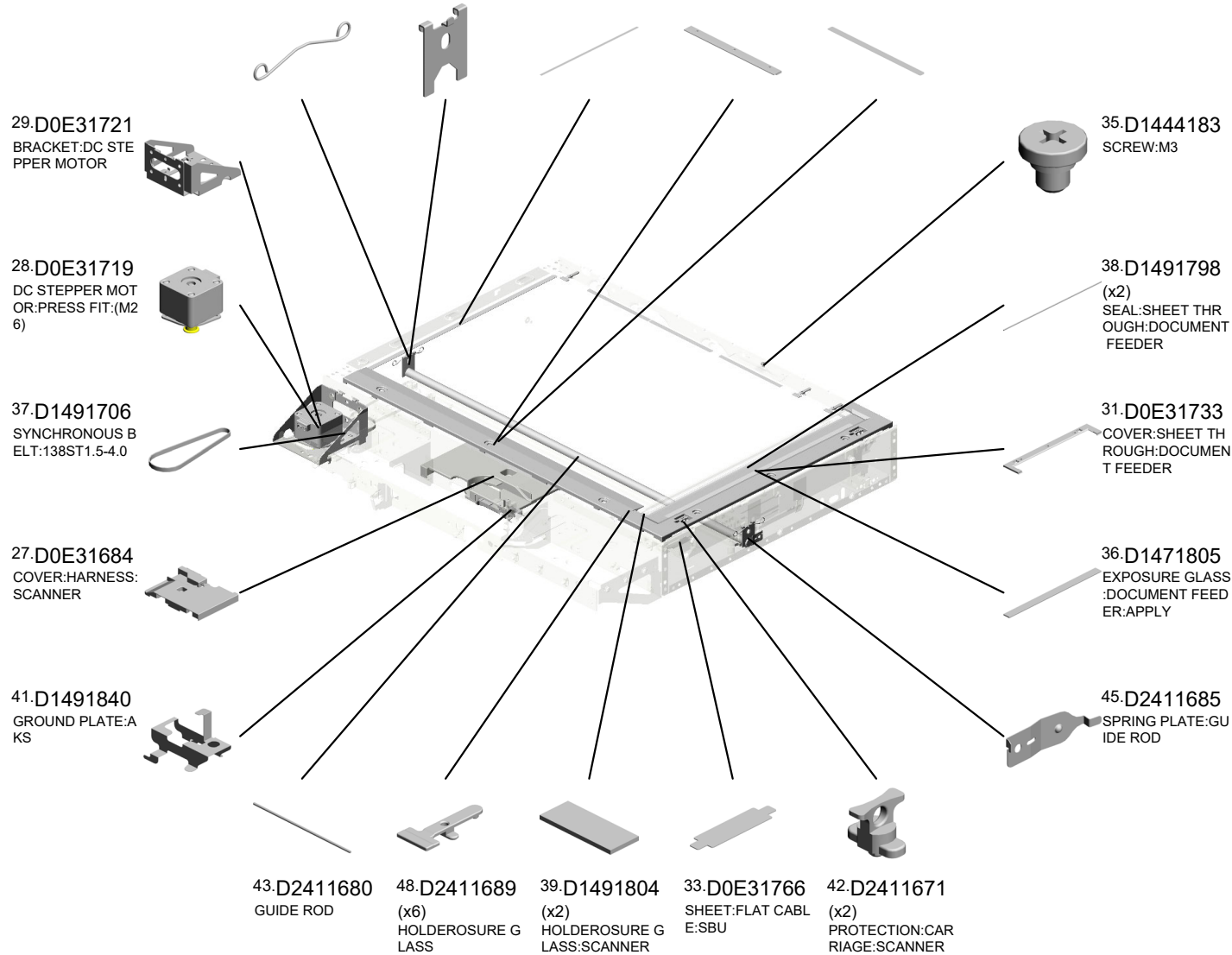
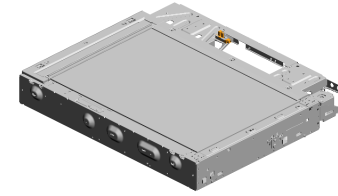
# U003 SCANNER

- 8.08046123 (x13) HEXAGONAL BOLT :W/WASHER:M3X8
- 10.08050103 (x3) RETAINING RINGS -E:SILENCER:DIA3
- 15.11050758 (x5) CLAMP:LWSM-030 6A
- 20.AA143537 (x6) SCREW:M3:BLACK
- 21.AW010155 (x2) ORIGINAL SENSO R:66MM:3.3V:(S44/S45)

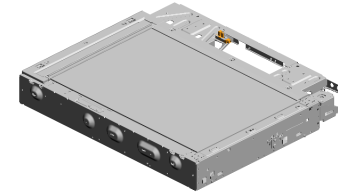


# U003 SCANNER

- 46.D2411686 (x2) CLAMP:STAY:GUIDE ROD
- 44.D2411681 (x2) STAY:GUIDE ROD
- 47.D2411688 SHEET:GLASS:LARGE
- 32.D0E31738 (EU/AA/TWN/IND/CHN/KOR):SCALE:REAR:PRINTING:MM
- 40.D1491833 (x5) SHEET:GLASS



# U003 SCANNER



- 58.D2411716 CAP:PULLEY:DRIVE:UPPER
- 54.D2411710 PULLEY:IDLER:TRAILING EDGE
- 55.D2411711 CAP:IDLER:TRAILING EDGE
- 56.D2411712 TENSION SPRING:TIGHTENER:TENSION:4N
- 53.D2411708 TIGHTENER:DIA8

57.D2411715  
PULLEY:DRIVE

59.D2411717  
CAP:PULLEY:DRIVE:LOWER

63.D2411742  
BRACKET:DOCUMENT FEEDER:RIGHT

60.D2411722  
TENSION SPRING:TENSION:11N

62.D2411741  
BRACKET:DOCUMENT FEEDER:LEFT

67.GW020026  
PHOTOINTERRUPTOR:LG2A24RL1G:(S2/S34/S42)

66.D2411770  
HOLDER:FERRITE CORE

50.D2411698  
COVER:BASE:SCANNER

49.D2411697  
SLIDE RAIL

61.D2411727  
SHEET:GAP:ASSY

52.D2411702  
(x2)  
CAP:PULLEY:IDLER:LEADING EDGE

51.D2411701  
PULLEY:IDLER:LEADING EDGE

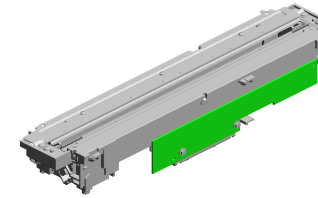
U001	U002	U003	U004	U005	U006	U007	U008	U009	U010	U011	U012	U013	U014	U015	U016	U017	U018
------	------	------	------	------	------	------	------	------	------	------	------	------	------	------	------	------	------

U003\_S001  
OPTICAL READING UNIT:CARRIAGE:SCANNER:IMC2010-6010

7.04583010N (x4)  
HEXAGON HEAD TAPPING SCREW:M3 X10

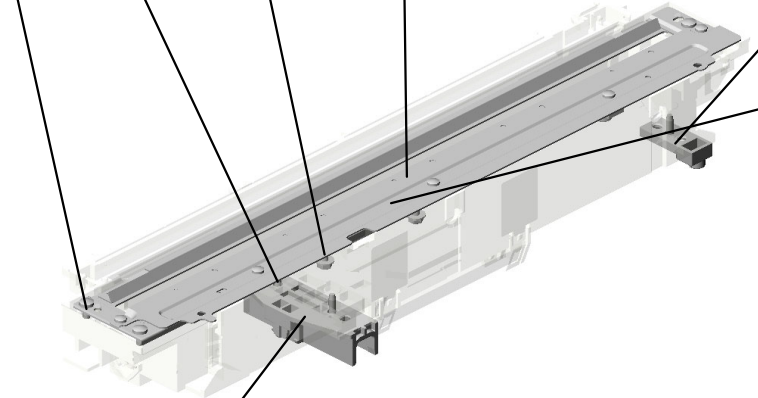
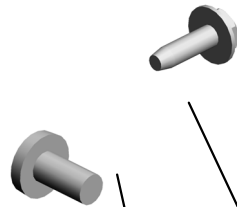
9.08046128 (x2)  
HEXAGONAL BOLT:DOUBLE SCREW:M3X10

34.D0E31780  
ILLUMINATION UNIT:30LIGHT UNIT:ASY:(LED)



26.D0E31640  
OPTICAL READING UNIT:CARRIAGE:SCANNER:IMC2010-6010

5.03530060N (x3)  
BIND SCREW - M3 X6



65.D2411768 (x2)  
SLIDE SHOE



6.03603006N (x2)  
SCREW - M3X6

3.03530030N (x 2)  
SCREW:M3X3



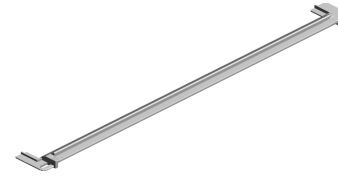
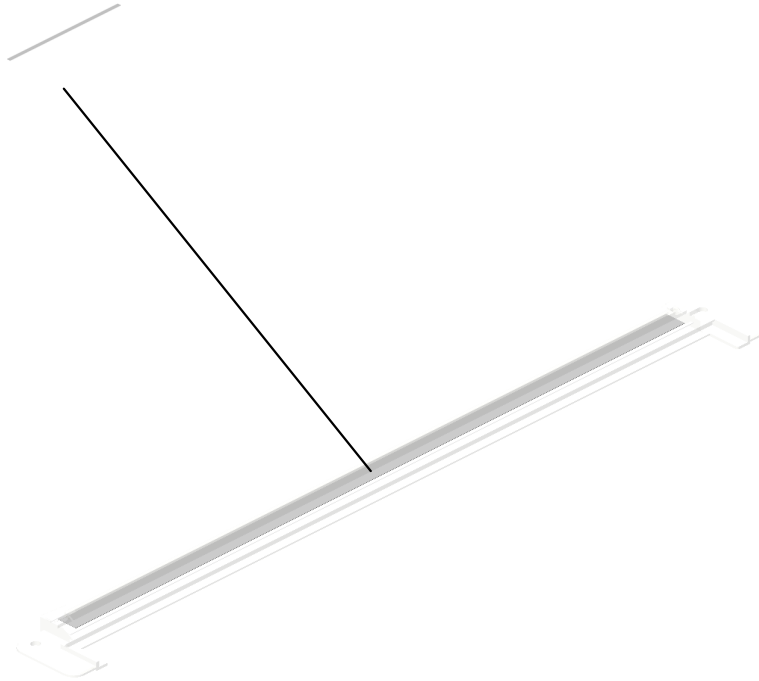
64.D2411767  
PLAIN SHAFT BEARING RING:90ANG

U001	U002	U003	U004	U005	U006	U007	U008	U009	U010	U011	U012	U013	U014	U015	U016	U017	U018
------	------	------	------	------	------	------	------	------	------	------	------	------	------	------	------	------	------

U003\_S002  
(EU/AA/TWN/IND/CHN/KOR):SCALE:LEFT:MM:ASS'Y

19.A6283112  
SHIELDING SHEET

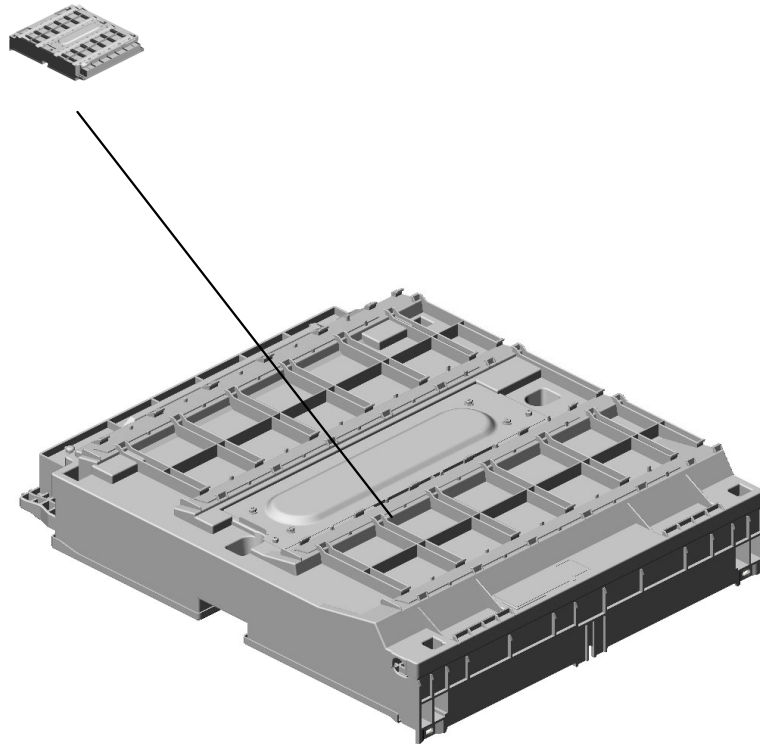
30.D0E31732  
(EU/AA/TWN/IND/C  
HN/KOR):SCALE:L  
EFT:MM:ASS'Y



U001	U002	U003	U004	U005	U006	U007	U008	U009	U010	U011	U012	U013	U014	U015	U016	U017	U018
------	------	------	------	------	------	------	------	------	------	------	------	------	------	------	------	------	------

# U004.LASER UNIT

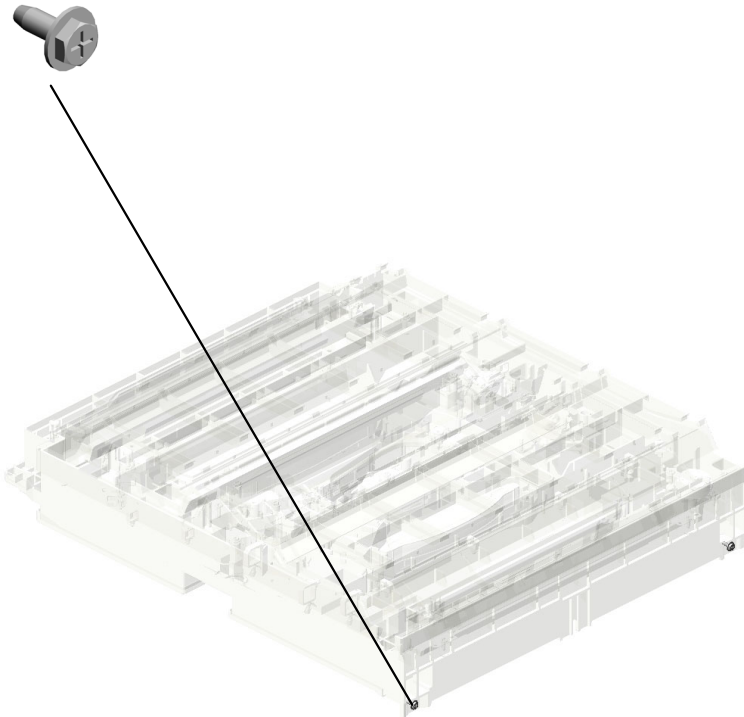
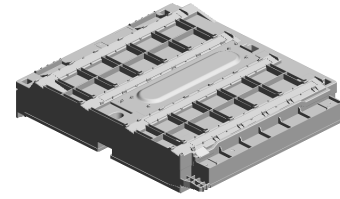
U004 S001  
D0E11855  
OPTICAL WRITING UNIT:IMC  
2500/IMC3000/IMC3500



U001	U002	U003	U004	U005	U006	U007	U008	U009	U010	U011	U012	U013	U014	U015	U016	U017	U018
------	------	------	------	------	------	------	------	------	------	------	------	------	------	------	------	------	------

U004  
LASER UNIT

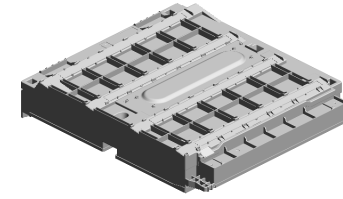
1-04513008N  
(x2)  
TAPPING SCREW -  
M3X8



U001	U002	U003	<b>U004</b>	U005	U006	U007	U008	U009	U010	U011	U012	U013	U014	U015	U016	U017	U018
------	------	------	-------------	------	------	------	------	------	------	------	------	------	------	------	------	------	------



U004\_S001  
OPTICAL WRITING UNIT:IMC2500/IMC3000/IMC3500



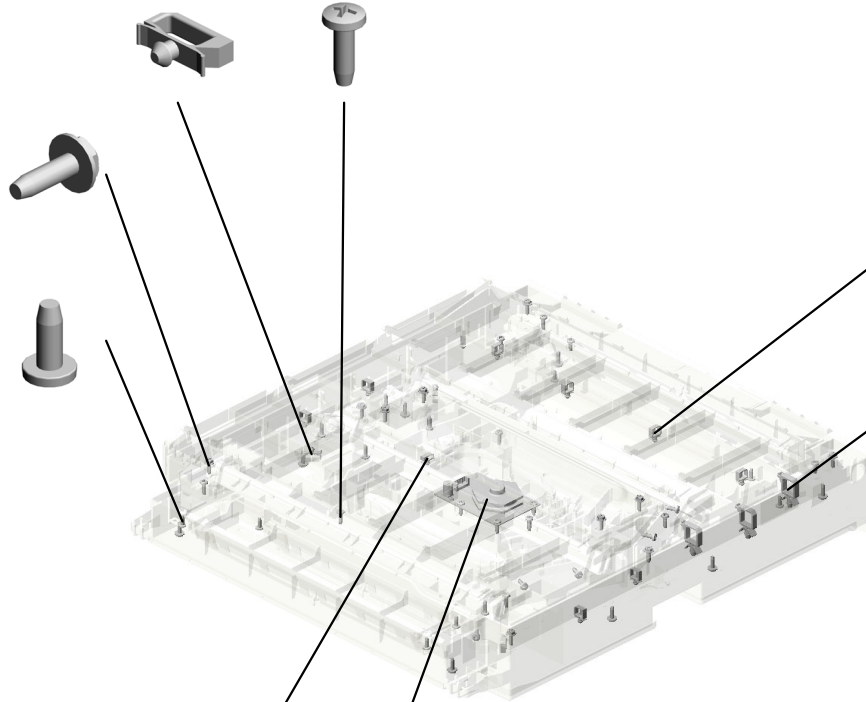
10.D0E11855  
OPTICAL WRITING  
UNIT:IMC2500/IMC  
3000/IMC3500

7.11050760 (x2)  
CLAMP:LWSM-051  
1A

4.04593010N (x22)  
BINDING HEAD TA  
PPING SCREW:3X  
10

2.04583010N (x18)  
HEXAGON HEAD T  
APPING SCREW:3  
X10

3.04593008N (x9)  
BINDING HEAD TA  
PPING SCREW:3X  
8



6.11050759 (x10)  
CLAMP:LWSM-060  
5A

8.11050763 (x3)  
CLAMP:LWS-1211A

5.11050758  
CLAMP:LWSM-030  
6A

9.AX060518  
DC POLYGON MIR  
ROR MOTOR:(M27)

U001	U002	U003	U004	U005	U006	U007	U008	U009	U010	U011	U012	U013	U014	U015	U016	U017	U018
------	------	------	------	------	------	------	------	------	------	------	------	------	------	------	------	------	------

# U005.PAPER FEED

U005 S003  
D1492905  
SUPPORTER:RIGHT:NO.1:AS  
SY

U005 S001  
D0E32711  
PAPER FEED UNIT:NO.1:ASS  
Y

U005 S010  
AX040273  
DC MOTOR:RISING TRAY:AS  
S'Y:1.007W:BRUSH:(M9/M10)

U005 S005  
D0E32800  
PAPER TRAY:NO.1:ASS'Y

U005 S006  
D0E32805  
PAPER TRAY:NO.2:ASS'Y

U005 S008  
D2412906  
LEVER:STRETCH:PAPER TR  
AY:ASS'Y

U005 S009  
AX040273  
DC MOTOR:RISING TRAY:AS  
S'Y:1.007W:BRUSH:(M9/M10)

U005 S007  
D2412906  
LEVER:STRETCH:PAPER TR  
AY:ASS'Y

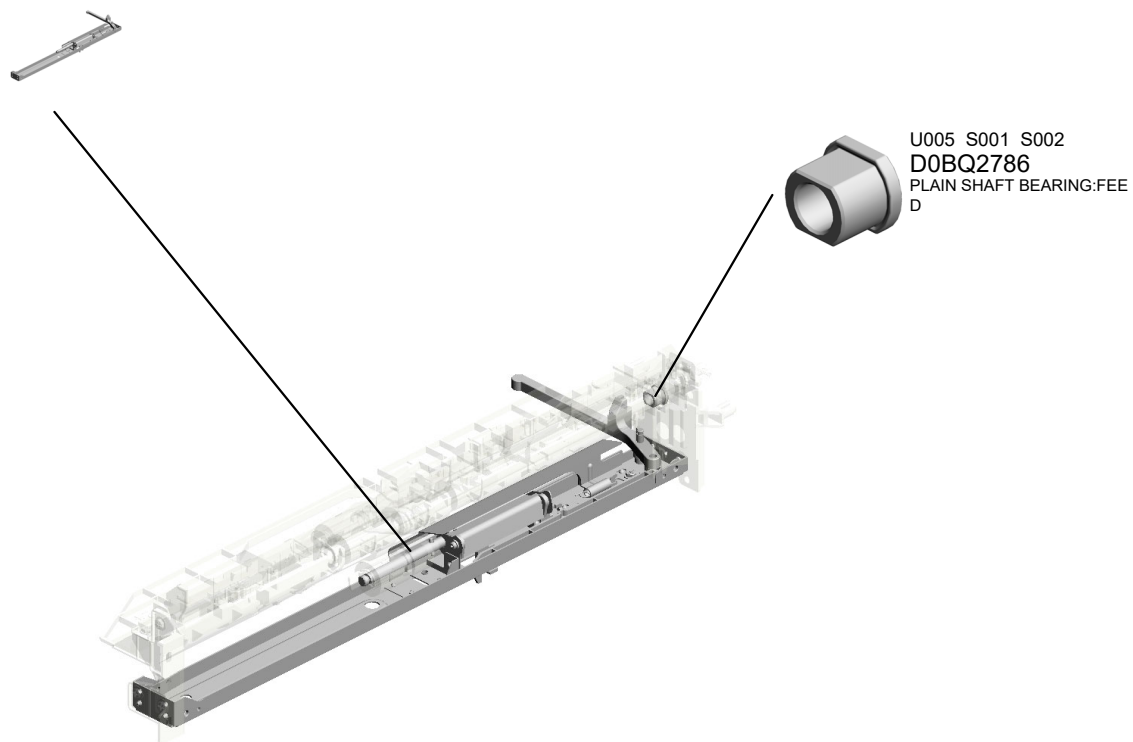
U005 S004  
D1492903  
SUPPORTER:RIGHT:NO.2:AS  
SY

U005 S002  
D0E32712  
PAPER FEED UNIT:NO.2:ASS  
Y

U001	U002	U003	U004	U005	U006	U007	U008	U009	U010	U011	U012	U013	U014	U015	U016	U017	U018
------	------	------	------	------	------	------	------	------	------	------	------	------	------	------	------	------	------

# U005\_S001.PAPER FEED UNIT:NO.1:ASS'Y

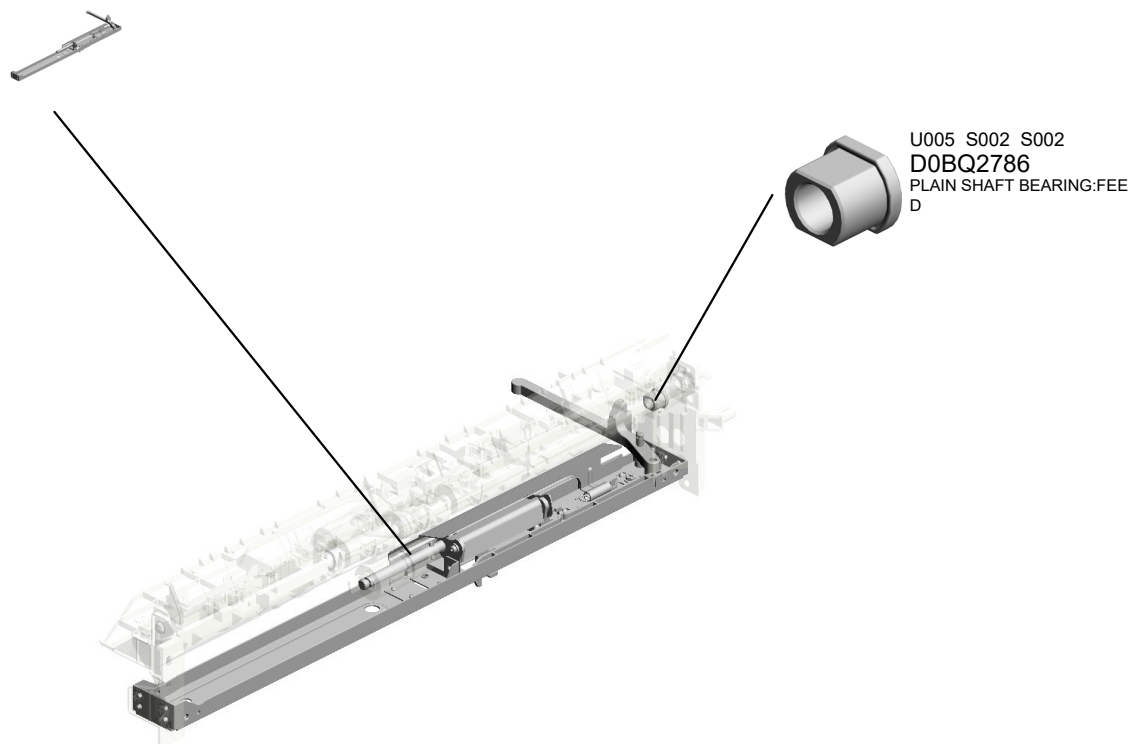
U005 S001 S001  
D0E32705  
STAY:PAPER FEED UNIT:LO  
WER:ASS'Y



U001	U002	U003	U004	U005	U006	U007	U008	U009	U010	U011	U012	U013	U014	U015	U016	U017	U018
------	------	------	------	------	------	------	------	------	------	------	------	------	------	------	------	------	------

# U005\_S002.PAPER FEED UNIT:NO.2:ASS'Y

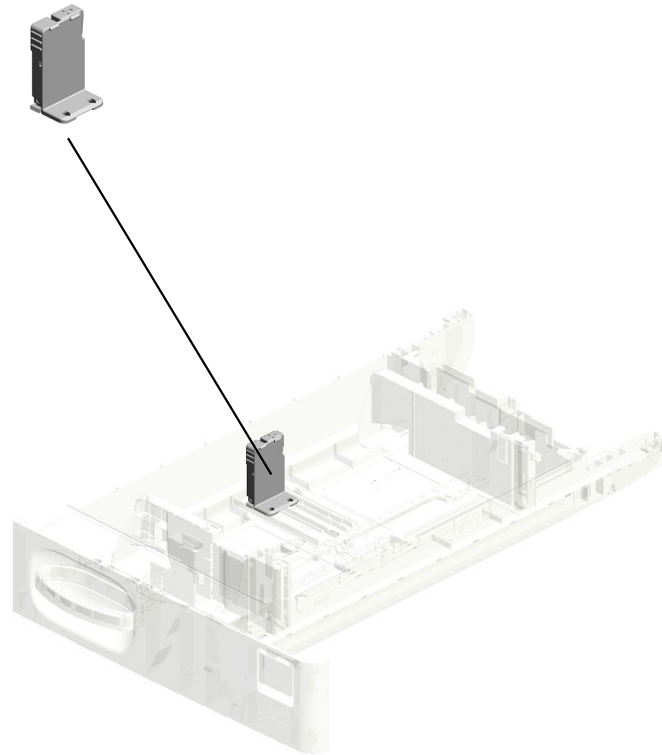
U005 S002 S001  
D0E32705  
STAY:PAPER FEED UNIT:LO  
WER:ASS'Y



U001	U002	U003	U004	U005	U006	U007	U008	U009	U010	U011	U012	U013	U014	U015	U016	U017	U018
------	------	------	------	------	------	------	------	------	------	------	------	------	------	------	------	------	------

# U005\_S005.PAPER TRAY:NO.1:ASS'Y

U005 S005 S001  
D0BQ2840  
END FENCE:PAPER TRAY:A  
SS'Y



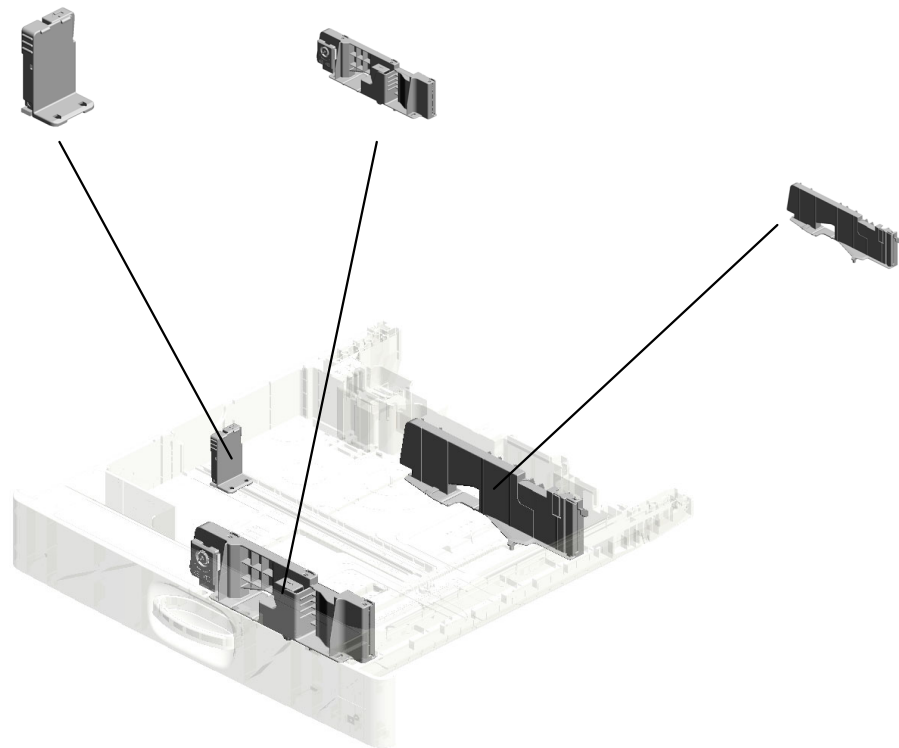
U001	U002	U003	U004	U005	U006	U007	U008	U009	U010	U011	U012	U013	U014	U015	U016	U017	U018
------	------	------	------	------	------	------	------	------	------	------	------	------	------	------	------	------	------

# U005\_S006.PAPER TRAY:NO.2:ASS'Y

U005 S006 S001  
D0BQ2840  
END FENCE:PAPER TRAY:A  
SSY

U005 S006 S002  
D0E32876  
SIDE FENCE:FRONT:ASSY

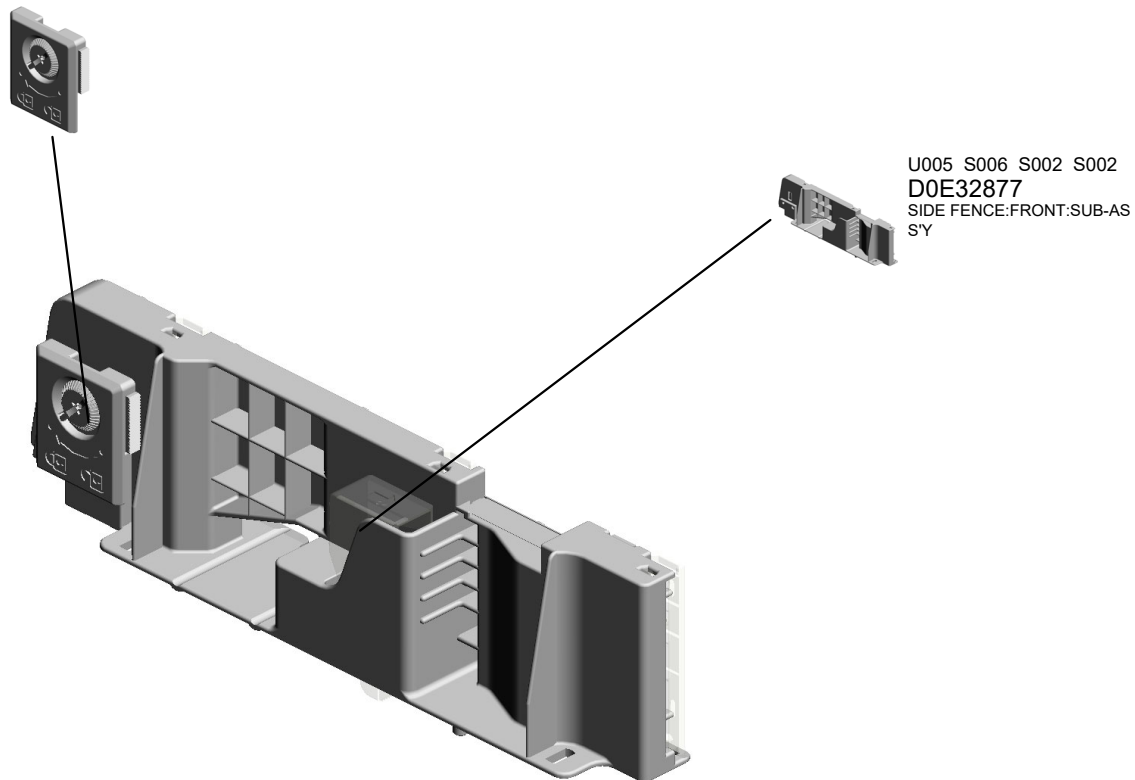
U005 S006 S003  
D0E32880  
SIDE FENCE:REAR:ASSY



U001	U002	U003	U004	U005	U006	U007	U008	U009	U010	U011	U012	U013	U014	U015	U016	U017	U018
------	------	------	------	------	------	------	------	------	------	------	------	------	------	------	------	------	------

# U005\_S006\_S002.SIDE FENCE:FRONT:ASSY

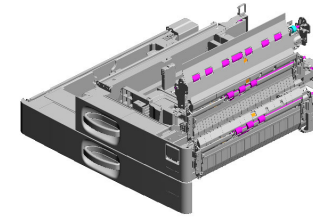
U005 S006 S002 S001  
D0BQ2966  
STAY:END FENCE:ASSY



U001	U002	U003	U004	U005	U006	U007	U008	U009	U010	U011	U012	U013	U014	U015	U016	U017	U018
------	------	------	------	------	------	------	------	------	------	------	------	------	------	------	------	------	------

# U005 PAPER FEED

- 31.AW500044 PUSH SWITCH:PA  
PER SIZE SENSOR  
:(SW1)
- 45.D0E32567 CASE:REMOVE PA  
PER DUST
- 15.11050765 CLAMP:LWS-2218A
- 14.11050758 (x2)  
CLAMP:LWSM-030  
6A
- 20.AA082197 (x2)  
BUSHING:DIA8XDI  
A12X7:EG-1-J



- 18.AA082195  
(x2)  
PLAIN SHAFT BEA  
RING:DIA6XDIA10X  
6



- 8.04583008N  
(x4)  
HEXAGON HEAD T  
APPING SCREW:3  
X8



- 46.D0E32571  
GUIDE:POSITIONI  
NG:REGISTRATIO  
N:FRONT



- 7.04543008Q  
(x4)  
TAPPING SCREW:  
3X8



- 12.08050103  
(x2)  
RETAINING RINGS  
-E:SILENCER:DIA3



- 6.04543006Q  
(x43)  
TAPPING SCREW -  
M3X6



- 10.07200040E  
(x2)  
RETAINING RING -  
M4



- 23.AB011573  
GEAR:REGISTRATI  
ON:NO.2



- 11.07200060E  
(x3)  
RETAINING RING -  
M6



- 47.D0E32572  
GUIDE:POSITIONI  
NG:REGISTRATIO  
N:REAR



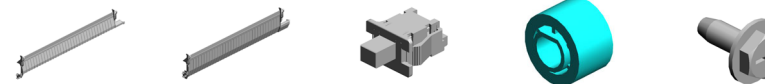
- 51.D0E32714  
GUIDE PLATE:SWI  
VEL:NO.1

- 52.D0E32721  
GUIDE PLATE:SWI  
VEL:NO.2

- 32.AW500049  
(x2)  
PUSH SWITCH:SW  
1AG-550:(S4/S17/S  
19/S21/S35)

- 22.AB011572  
(x2)  
GEAR:Z19:DRIVEN:  
REGISTRATION

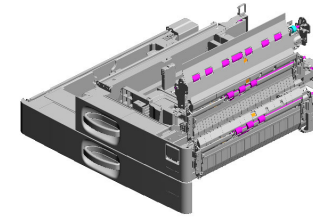
- 5.04513008N  
TAPPING SCREW -  
M3X8





# U005 PAPER FEED

117.D1492918 SUPPORTER:LEFT UPPER:NO.1  
 114.D1492889 COVER:TRAY:REA R LEFT:NO.2  
 89.D1492562 (x2) COLLAR:REGISTRATION ROLLER  
 146.GA143003 SCREW:MM5:2.5M M  
 112.D1492887 COVER:TRAY:REA R LEFT:NO.1

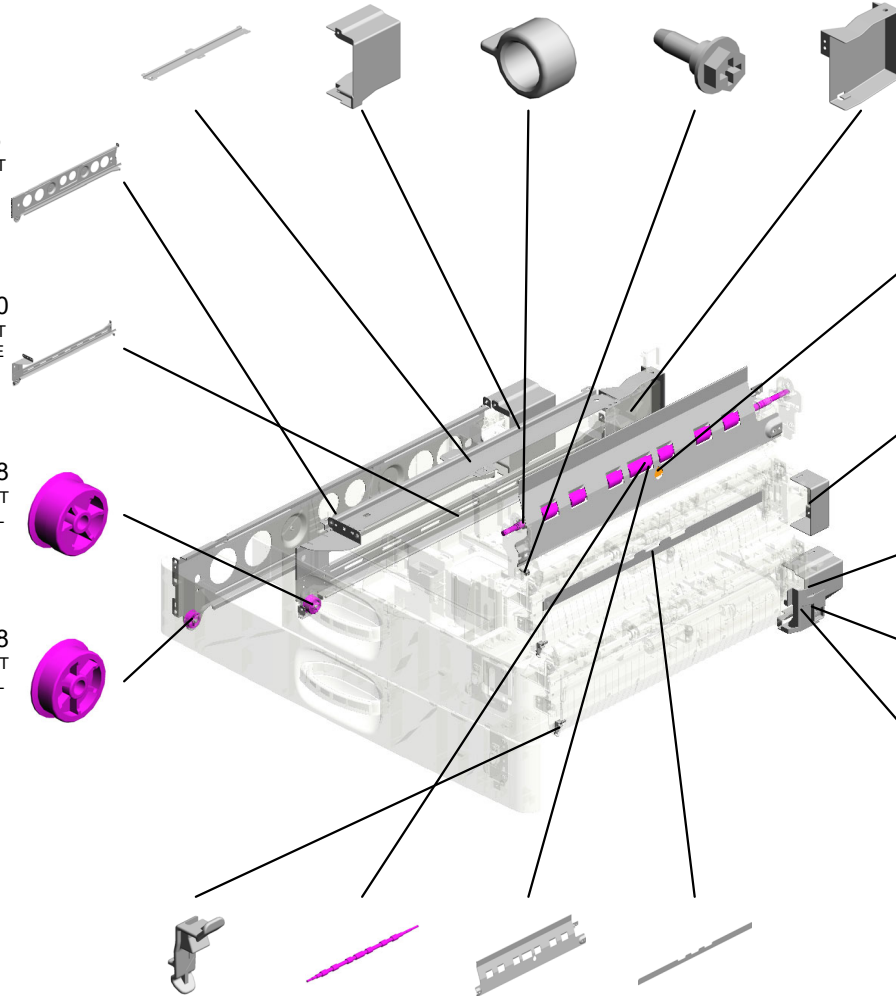


78.D0E32925 SUPPORTER:LEFT :NO.2:PEEN

121.D1492930 SUPPORTER:LEFT LOWER:NO.1:PEEN

126.D1492958 ROLLER:SUPPORTER:PAPER TRAY:LEFT

120.D1492928 ROLLER:SUPPORTER:PAPER TRAY:LEFT



147.GW010007 PHOTO REFLECTION SENSOR:EXIT:(S3/S8/S9/S10/S12/S14/S16/S24)

111.D1492886 COVER:TRAY:REA R RIGHT:NO.1

113.D1492888 COVER:TRAY:REA R RIGHT:NO.2

98.D1492787 BRACKET:SUPPORT:COVER

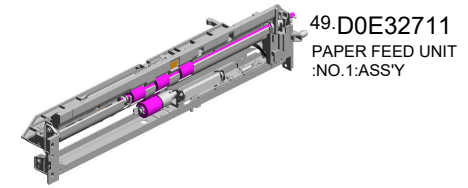
99.D1492788 INNER COVER:HA RNESS:PAPER FEED UNIT

138.D2412731 (x2) STOPPER:GUIDE PLATE:SWIVEL  
 134.D2412559 SHAFT:REGISTRATION ROLLER:DRIVEN  
 135.D2412576 GUIDE PLATE:REGISTRATION:FRONT LEFT  
 90.D1492712 SHEET:GUIDE PLATE:SWIVEL

U001	U002	U003	U004	U005	U006	U007	U008	U009	U010	U011	U012	U013	U014	U015	U016	U017	U018
------	------	------	------	------	------	------	------	------	------	------	------	------	------	------	------	------	------

U005\_S001  
PAPER FEED UNIT:NO.1:ASS'Y

- 93.D1492774 PULLEY:IDLER:PIKUP
- 28.AF031185 PAPER FEED ROLLER:FEED
- 35.B8303504 TIMING BELT - 40S2M100
- 53.D0E32741 GUIDE PLATE:VERTICAL TRANSPORT:PAPER FEED UNIT:NO.1
- 30.AW020234 (x2) PHOTOINTERRUPTOR:GP1A173LCS5F:(S5/S6/S8/S11/S13/S15/S23/S25/S32)



27.AF030094 PAPER FEED ROLLER:PICKUP



21.AA100014 (x2) RETAINING RING C - SEPARATE



18.AA082195 PLAIN SHAFT BEARING:DIA6XDIA10X6



8.04583008N (x7) HEXAGON HEAD TAPPING SCREW:3X8



6.04543006Q (x4) TAPPING SCREW - M3X6



29.AF032102 PAPER FEED ROLLER:SEPARATE



36.D0BQ2773 PULLEY:PICKUP:MECHANICAL ROLLER CLUTCH:U



80.D1292783 TORQUE LIMITER MECHANICAL CLUTCH:40MNM:DIA18



19.AA082196 BUSHING:DIA6XDIA10X9



92.D1492772 ARM:PICKUP



85.D1482702 SPACER:TRANSPORT ROLLER



13.08050104 (x5) RETAINING RINGS -E.SILENCER:DIA4



14.11050758 (x2) CLAMP:LWSM-0306A



4.04513006N (x3) TAPPING SCREW - 3X6



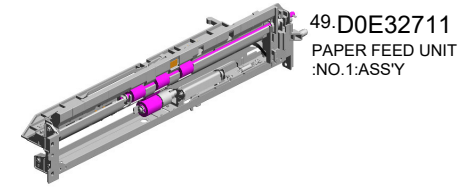
37.D0BQ2777 SHAFT:FEED:ASS'Y



U001	U002	U003	U004	U005	U006	U007	U008	U009	U010	U011	U012	U013	U014	U015	U016	U017	U018
------	------	------	------	------	------	------	------	------	------	------	------	------	------	------	------	------	------

U005\_S001  
 PAPER FEED UNIT:NO.1:ASS'Y

97.D1492784 BRACKET:SENSOR:PAPER FEED  
 147.GW010007 (x2) PHOTO REFLECTI ON SENSOR:EXIT:(S3/S8/S9/S10/S12/S14/S16/S24)  
 132.D2022791 GUIDE:FEED  
 131.D2022778 FEELER:PAPER E ND



95.D1492780 GROUND WIRE:SE NSOR:PAPER FEE D

96.D1492781 GROUND PLATE:P APER FEED UNIT

94.D1492777 COIL SPRING:PRE SSURE:PICKUP

142.D2412762 TRANSPORT ROLL ER:VERTICAL TRA NSPORT:ASS'Y

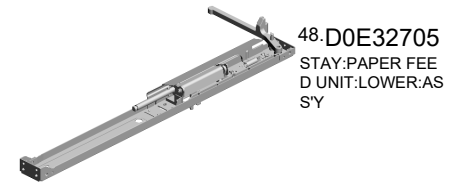
136.D2412719 GROUND PLATE:S ENSOR:TRANSPO RT

143.D2412782 PLATE:HARNESS: PAPER FEED UNIT  
 141.D2412760 STAY:PAPER FEE D UNIT:UPPER:PE EN

U001	U002	U003	U004	U005	U006	U007	U008	U009	U010	U011	U012	U013	U014	U015	U016	U017	U018
------	------	------	------	------	------	------	------	------	------	------	------	------	------	------	------	------	------

U005\_S001\_S001  
 STAY:PAPER FEED UNIT:LOWER:ASS'Y

86.D1482751 13.08050104 91.D1492739  
 ARM:PRESSURE:SEPARATE RETAINING RINGS LEVER:PRESSURE  
 E:SILENCER:DIA4 RELEASE

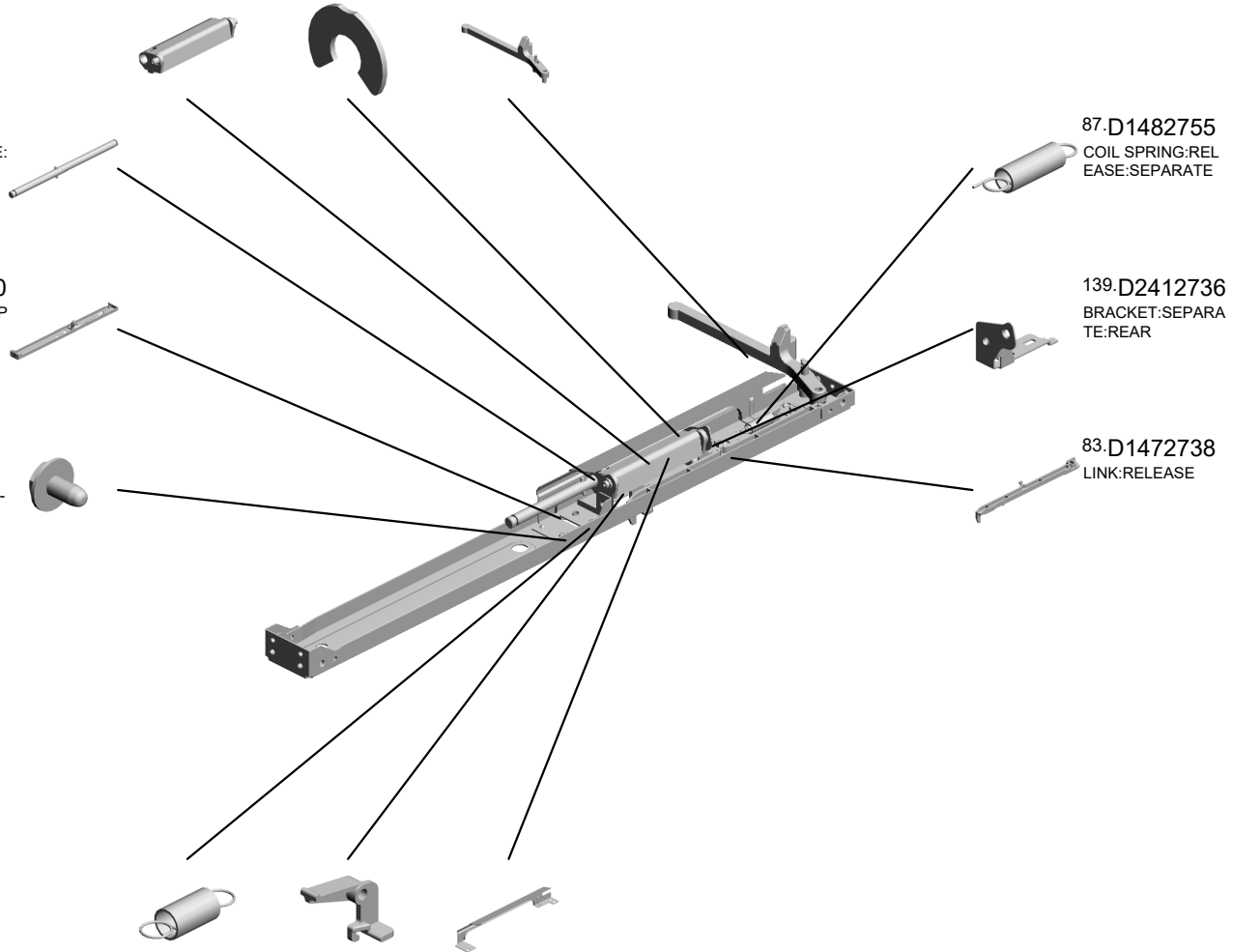


48.D0E32705  
 STAY:PAPER FEED UNIT:LOWER:ASS'Y

84.D1472752  
 SHAFT:SEPARATE:ASS'Y

137.D2412730  
 STAY:SEPARATE:PEEN

6.04543006Q  
 (x3)  
 TAPPING SCREW - M3X6



87.D1482755  
 COIL SPRING:RELEASE:SEPARATE

139.D2412736  
 BRACKET:SEPARATE:REAR

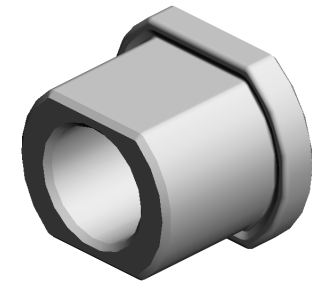
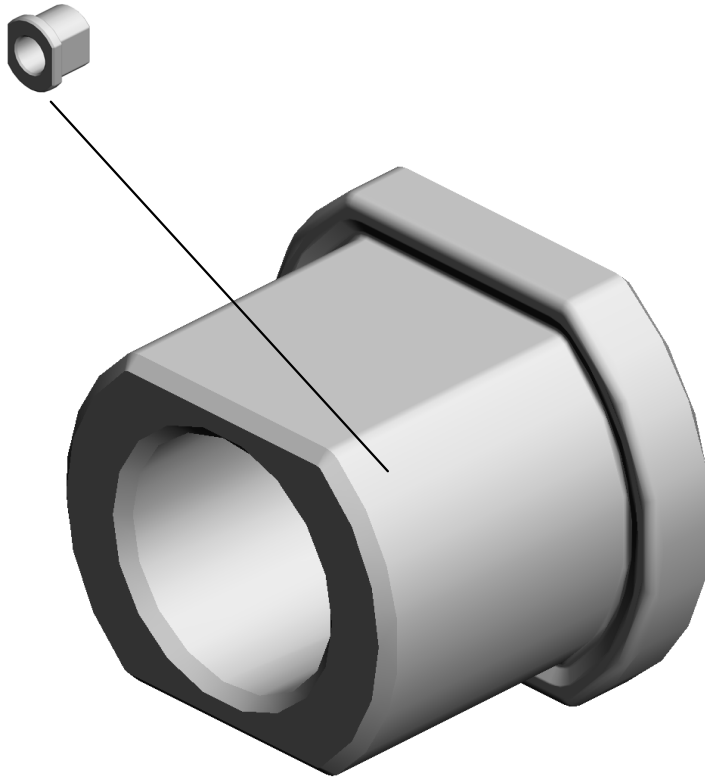
83.D1472738  
 LINK:RELEASE

140.D2412754 82.D1472737 81.D1472734  
 COIL SPRING:PRESSURE:SEPARATE LEVER:PRESSURE:SEPARATE GUIDE PLATE:SEPARATE

U001	U002	U003	U004	U005	U006	U007	U008	U009	U010	U011	U012	U013	U014	U015	U016	U017	U018
------	------	------	------	------	------	------	------	------	------	------	------	------	------	------	------	------	------

U005\_S001\_S002  
PLAIN SHAFT BEARING:FEED

19-AA082196  
BUSHING:DIA6XDI  
A10X9

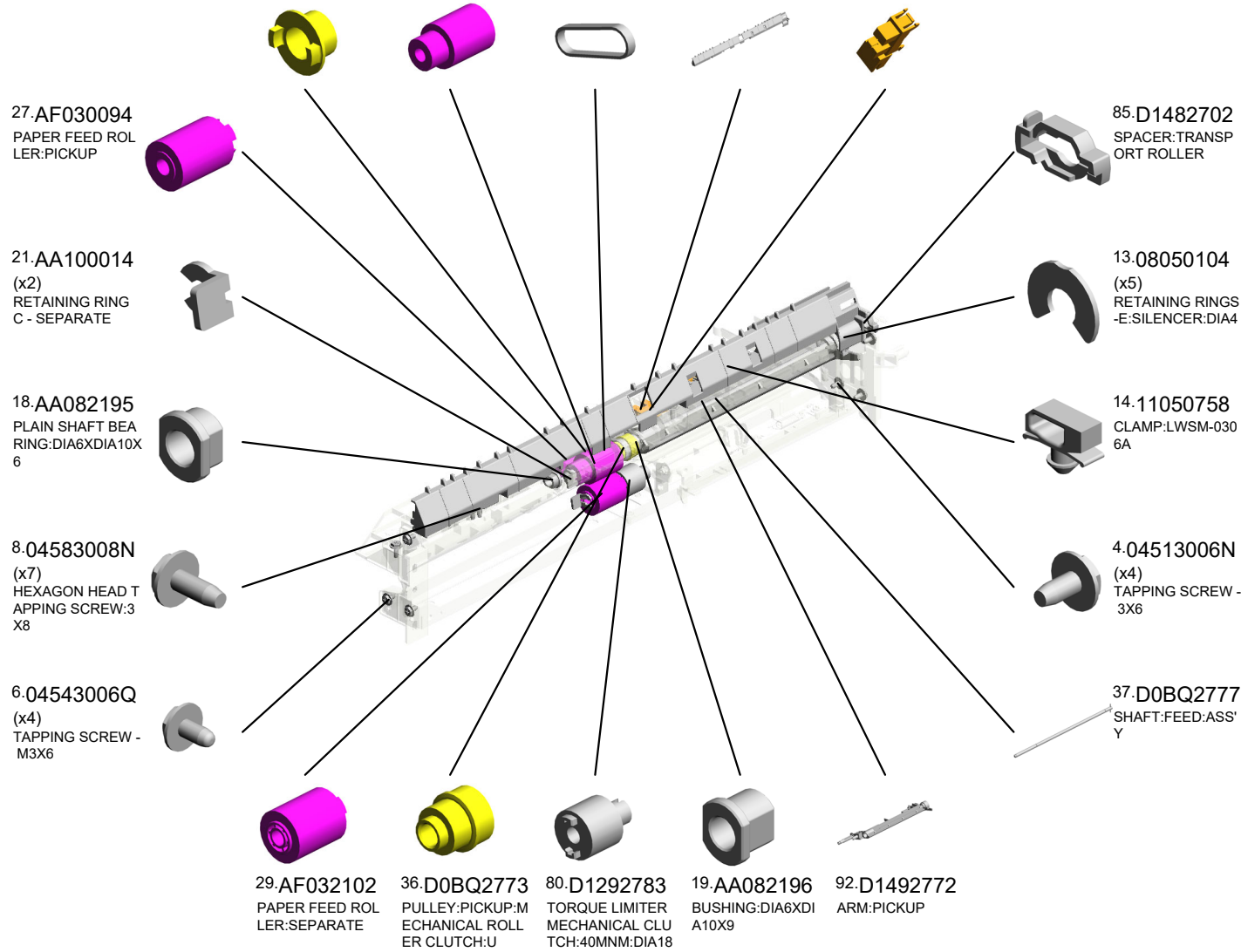
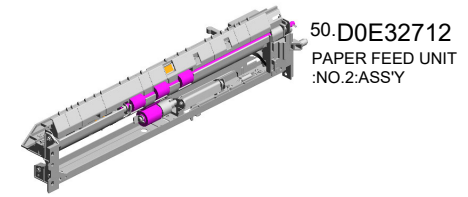


38.D0BQ2786  
PLAIN SHAFT BEA  
RING:FEED

U001	U002	U003	U004	U005	U006	U007	U008	U009	U010	U011	U012	U013	U014	U015	U016	U017	U018
------	------	------	------	------	------	------	------	------	------	------	------	------	------	------	------	------	------

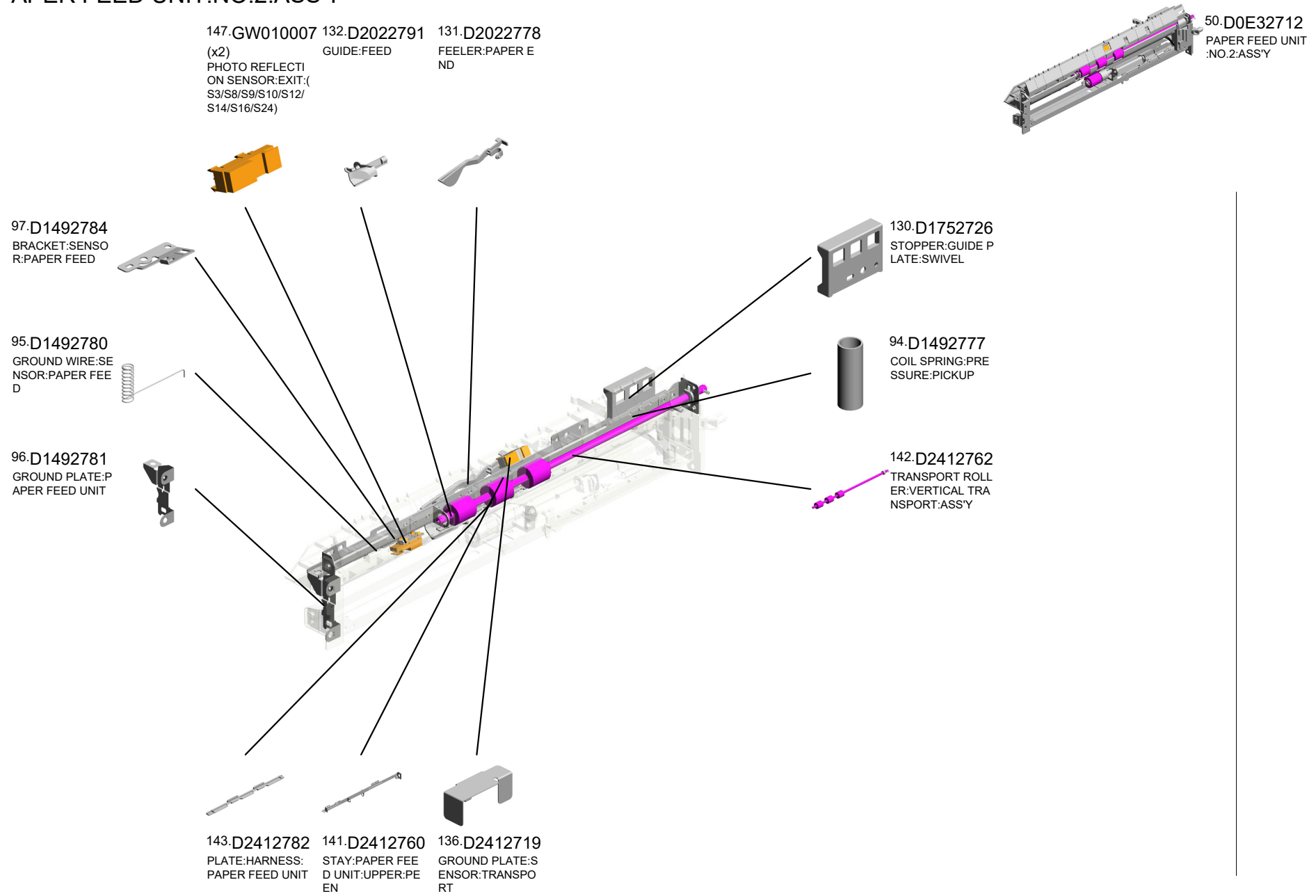
U005\_S002  
PAPER FEED UNIT:NO.2:ASS'Y

- 93.D1492774 PULLEY:IDLER:PIKUP
- 28.AF031185 PAPER FEED ROLLER:FEED
- 35.B8303504 TIMING BELT - 40S2M100
- 54.D0E32742 GUIDE PLATE:VERTICAL TRANSPORT:PAPER FEED UNIT:NO.2
- 30.AW020234 (x2) PHOTOINTERRUPTOR:GP1A173LCS5F:(S5/S6/S8/S11/S13/S15/S23/S25/S32)



U001	U002	U003	U004	U005	U006	U007	U008	U009	U010	U011	U012	U013	U014	U015	U016	U017	U018
------	------	------	------	------	------	------	------	------	------	------	------	------	------	------	------	------	------

U005\_S002  
 PAPER FEED UNIT:NO.2:ASS'Y

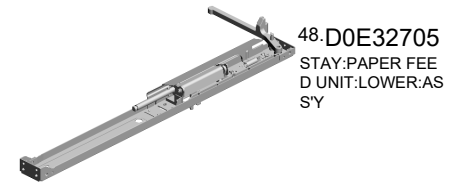


U001	U002	U003	U004	U005	U006	U007	U008	U009	U010	U011	U012	U013	U014	U015	U016	U017	U018
------	------	------	------	------	------	------	------	------	------	------	------	------	------	------	------	------	------

U005\_S002\_S001

STAY:PAPER FEED UNIT:LOWER:ASS'Y

86.D1482751 13.08050104 91.D1492739  
 ARM:PRESSURE:SEPARATE RETAINING RINGS LEVER:PRESSURE  
 EPARATE -E:SILENCER:DIA4 RELEASE

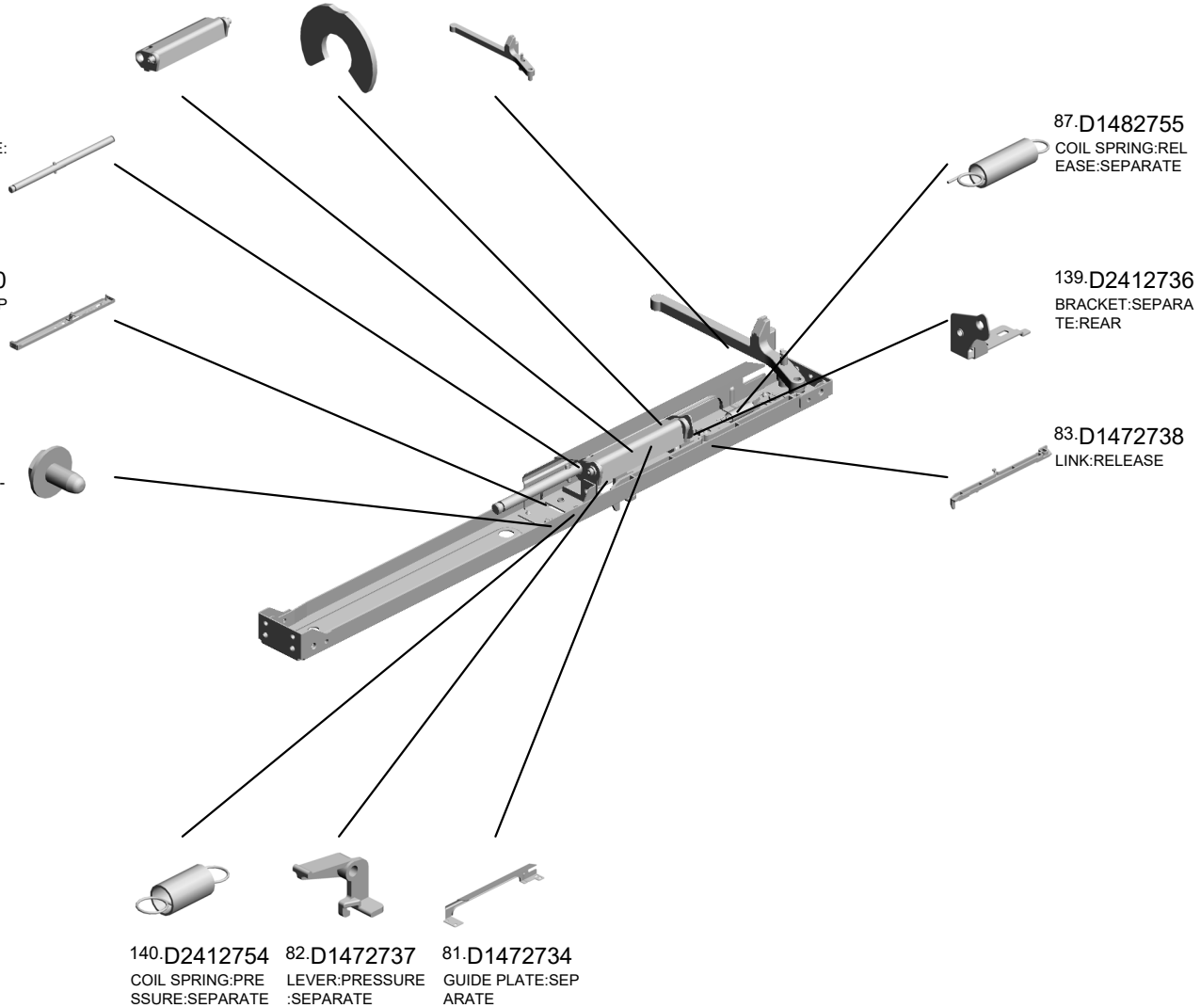


48.D0E32705  
 STAY:PAPER FEED UNIT:LOWER:ASS'Y

84.D1472752  
 SHAFT:SEPARATE:ASS'Y

137.D2412730  
 STAY:SEPARATE:PEEN

6.04543006Q  
 (x3)  
 TAPPING SCREW - M3X6



87.D1482755  
 COIL SPRING:RELEASE:SEPARATE

139.D2412736  
 BRACKET:SEPARATE:REAR

83.D1472738  
 LINK:RELEASE

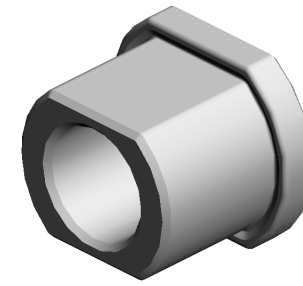
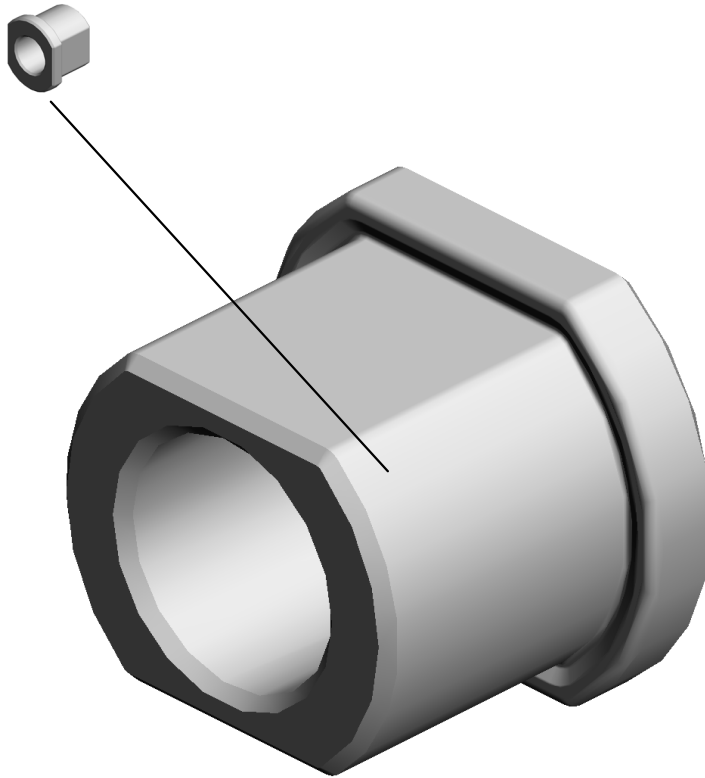
140.D2412754 82.D1472737 81.D1472734  
 COIL SPRING:PRESSURE:SEPARATE LEVER:PRESSURE:SEPARATE GUIDE PLATE:SEPARATE

U001	U002	U003	U004	U005	U006	U007	U008	U009	U010	U011	U012	U013	U014	U015	U016	U017	U018
------	------	------	------	------	------	------	------	------	------	------	------	------	------	------	------	------	------



U005\_S002\_S002  
PLAIN SHAFT BEARING:FEED

19-AA082196  
BUSHING: DIA6XDI  
A10X9

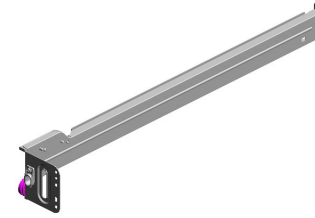


38.D0BQ2786  
PLAIN SHAFT BEA  
RING:FEED

U001	U002	U003	U004	U005	U006	U007	U008	U009	U010	U011	U012	U013	U014	U015	U016	U017	U018
------	------	------	------	------	------	------	------	------	------	------	------	------	------	------	------	------	------

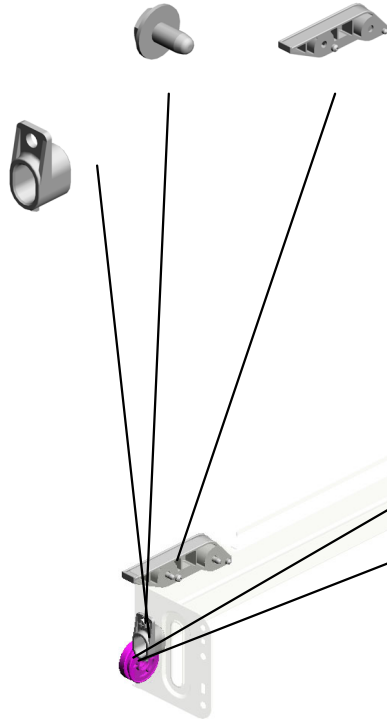
U005\_S003  
 SUPPORTER:RIGHT:NO.1:ASS'Y

6.04543006Q (x3) TAPPING SCREW - M3X6  
 77.D0E32924 STOPPER:PAPER TRAY



116.D1492905  
 SUPPORTER:RIGHT:  
 T:NO.1:ASS'Y

76.D0E32913  
 HOLDER:POSITIO  
 NING



12.08050103  
 RETAINING RINGS  
 -E:SILENCER:DIA3



125.D1492956  
 ROLLER:SUPPORT  
 ER:PAPER TRAY

U001	U002	U003	U004	U005	U006	U007	U008	U009	U010	U011	U012	U013	U014	U015	U016	U017	U018
------	------	------	------	------	------	------	------	------	------	------	------	------	------	------	------	------	------

U005\_S004  
 SUPPORTER:RIGHT:NO.2:ASS'Y

6.04543006Q 77.D0E32924  
 (x3) STOPPER:PAPER  
 TAPPING SCREW - TRAY  
 M3X6

115.D1492903  
 SUPPORTER:RIGHT:  
 T:NO.2:ASS'Y

76.D0E32913  
 HOLDER:POSITIO  
 NING

118.D1492920  
 SUPPORTER:RIGHT:  
 T:PEEN

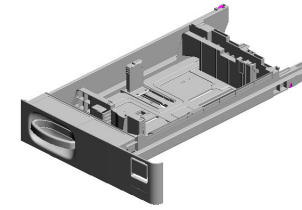
119.D1492923  
 ROLLER:SUPPORT  
 ER:PAPER TRAY

12.08050103  
 RETAINING RINGS  
 -E:SILENCER:DIA3

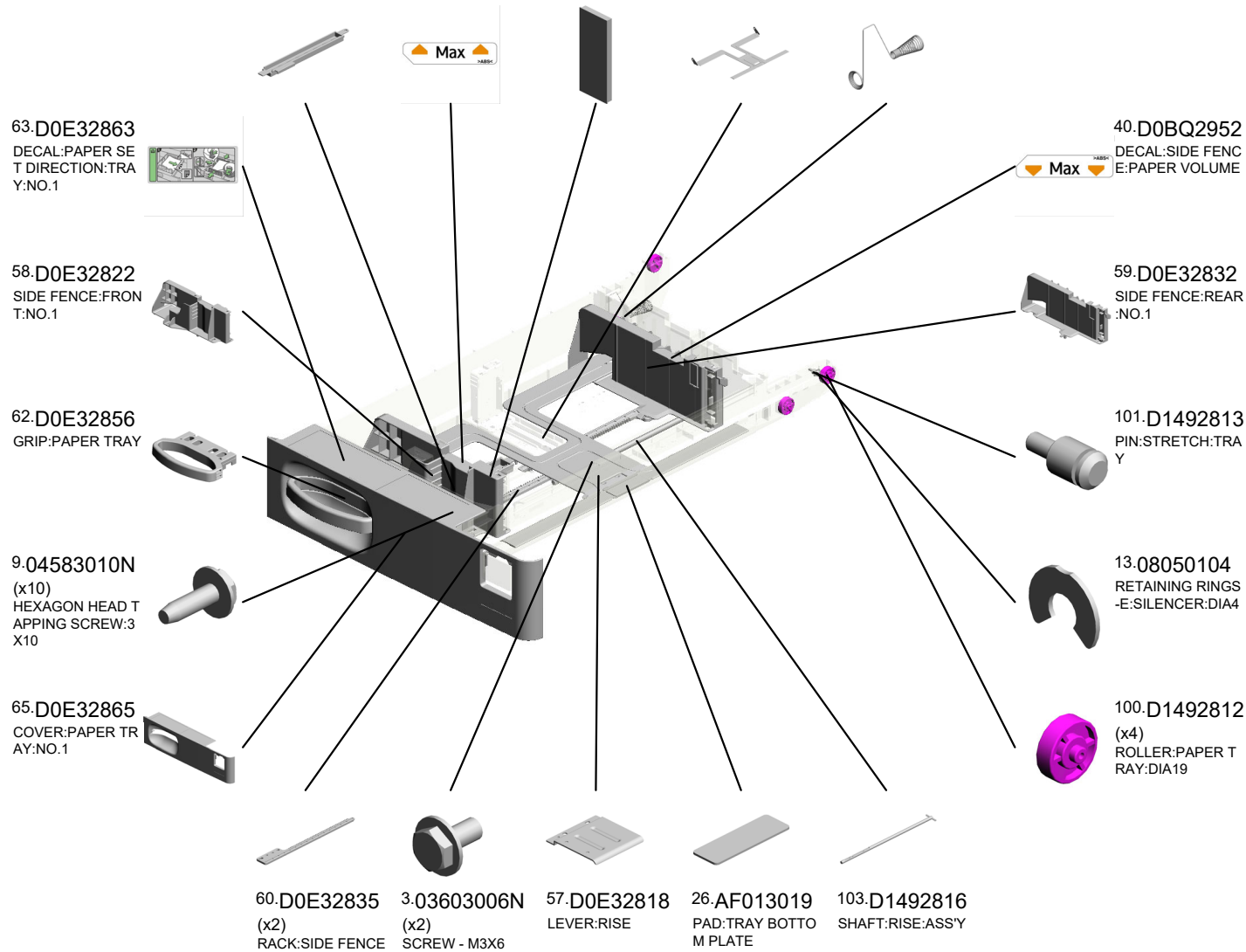
U001	U002	U003	U004	U005	U006	U007	U008	U009	U010	U011	U012	U013	U014	U015	U016	U017	U018
------	------	------	------	------	------	------	------	------	------	------	------	------	------	------	------	------	------

U005\_S005  
PAPER TRAY:NO.1:ASS'Y

- 75.D0E32897 LATCH:SIDE FENCE
- 42.D0BQ2959 DECAL:SIDE FENCE:PAPER VOLUME:FRONT
- 34.B2342864 (x2) PAD:CLEANER
- 68.D0E32874 TRAY BOTTOM PLATE:NO.2
- 102.D1492814 COIL SPRING:EAR TH



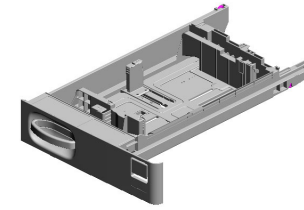
55.D0E32800  
PAPER TRAY:NO.1  
:ASS'Y



U001	U002	U003	U004	U005	U006	U007	U008	U009	U010	U011	U012	U013	U014	U015	U016	U017	U018
------	------	------	------	------	------	------	------	------	------	------	------	------	------	------	------	------	------

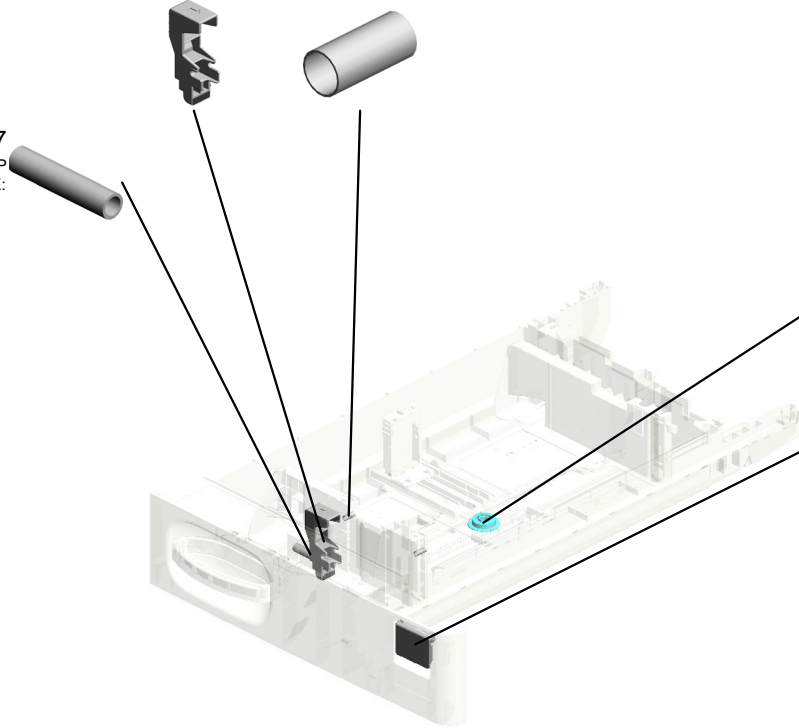
U005\_S005  
PAPER TRAY:NO.1:ASS'Y

104.D1492824 LEVER:STOPPER:  
FRONT  
105.D1492826 (x2)  
COMPRESSION SP  
RING:SIDE FENCE:  
PLATE:FRONT



55.D0E32800  
PAPER TRAY:NO.1  
:ASS'Y

106.D1492827  
COMPRESSION SP  
RING:SIDE FENCE:  
POSITIONING



107.D1492836  
GEAR:Z20



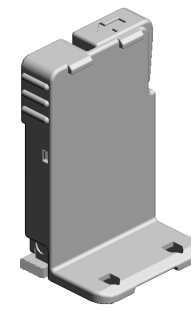
133.D2411242  
COVER:MAIN SWIT  
CH



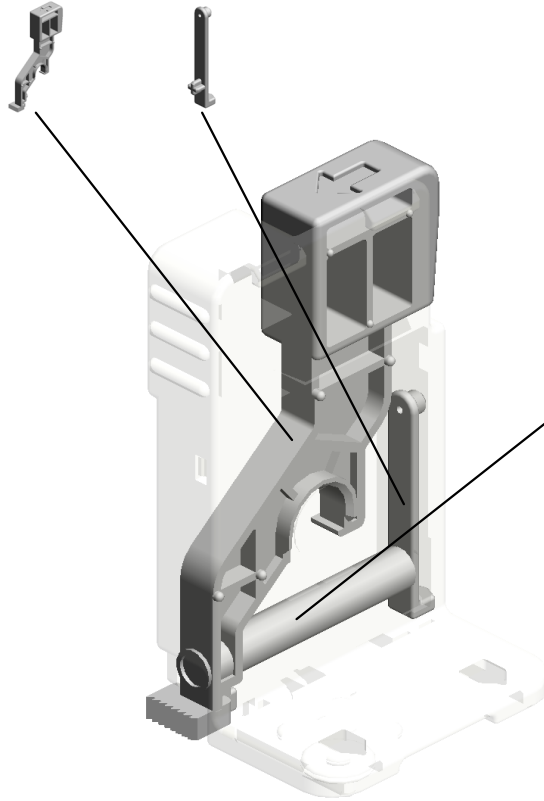
U001	U002	U003	U004	U005	U006	U007	U008	U009	U010	U011	U012	U013	U014	U015	U016	U017	U018
------	------	------	------	------	------	------	------	------	------	------	------	------	------	------	------	------	------

U005\_S005\_S001  
END FENCE:PAPER TRAY:ASS'Y

108.D1492842 109.D1492843  
LEVER:END FENC E CLICK:END FENCE



39.D0BQ2840  
END FENCE:PAPE R TRAY:ASS'Y

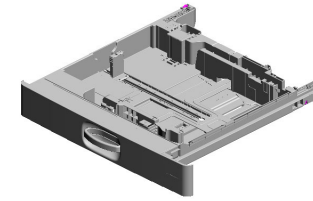


110.D1492845  
COMPRESSION SP RING:END FENCE: LEVER:5N

U001	U002	U003	U004	<b>U005</b>	U006	U007	U008	U009	U010	U011	U012	U013	U014	U015	U016	U017	U018
------	------	------	------	-------------	------	------	------	------	------	------	------	------	------	------	------	------	------

U005\_S006  
PAPER TRAY:NO.2:ASS'Y

- 69.D0E32875 LINK:END FENCE: PAPER SIZE SENSOR
- 67.D0E32872 SIDE FENCE:AUXILIARY
- 100.D1492812 (x4) ROLLER:PAPER TRAY:DIA19
- 9.04583010N (x12) HEXAGON HEAD TAPPING SCREW:3X10
- 102.D1492814 COIL SPRING:EAR TH



56.D0E32805  
PAPER TRAY:NO.2  
:ASS'Y

61.D0E32837  
DECAL:SET:SIDE FENCE:AUXILIARY



64.D0E32864  
DECAL:PAPER SET DIRECTION:TRAY:NO.2



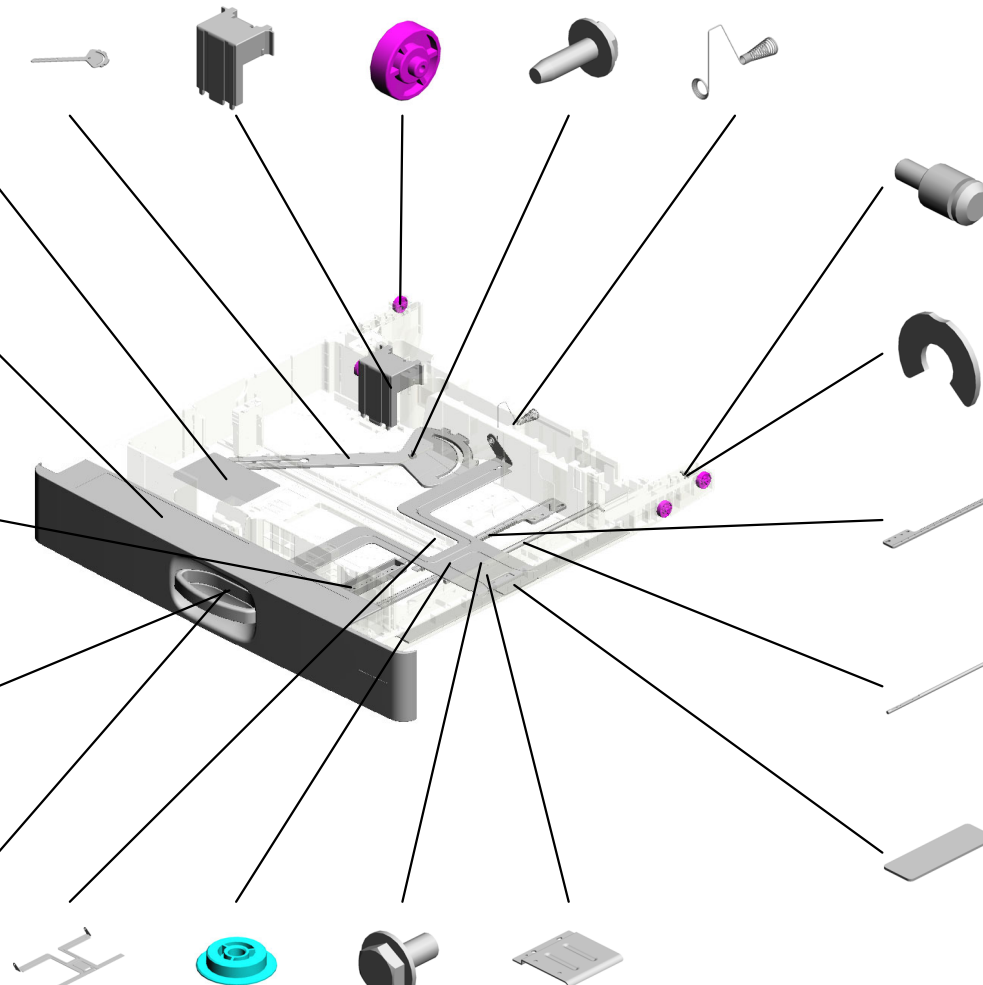
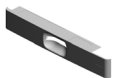
75.D0E32897  
LATCH:SIDE FENCE



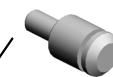
62.D0E32856  
GRIP:PAPER TRAY



66.D0E32866  
COVER:PAPER TRAY:NO.2



101.D1492813  
PIN:STRETCH:TRAY



13.08050104  
RETAINING RINGS -E:SILENCER:DIA4



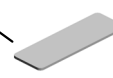
60.D0E32835  
(x2)  
RACK:SIDE FENCE



103.D1492816  
SHAFT:RISE:ASS'Y



26.AF013019  
PAD:TRAY BOTTOM PLATE



68.D0E32874  
TRAY BOTTOM PLATE:NO.2



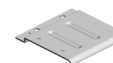
107.D1492836  
GEAR:Z20



3.03603006N  
(x2)  
SCREW - M3X6



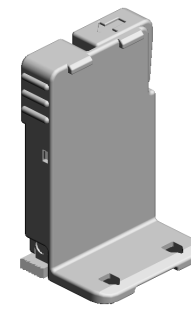
57.D0E32818  
LEVER:RISE



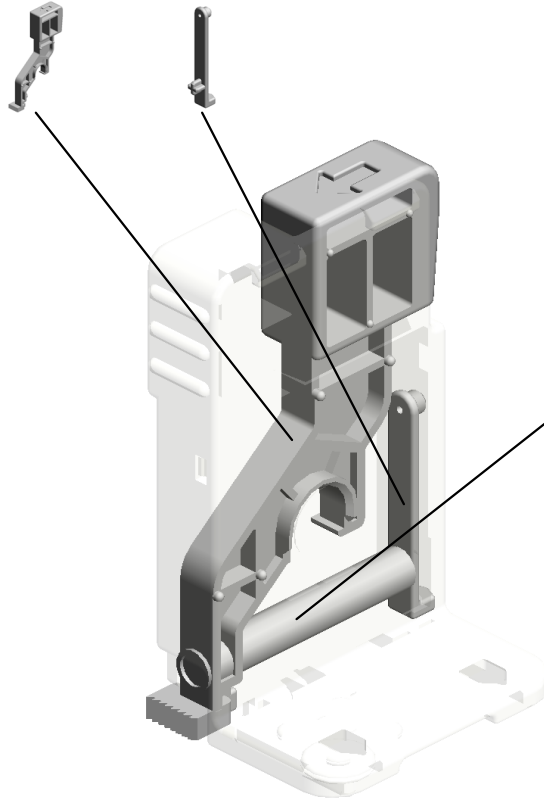
U001	U002	U003	U004	U005	U006	U007	U008	U009	U010	U011	U012	U013	U014	U015	U016	U017	U018
------	------	------	------	------	------	------	------	------	------	------	------	------	------	------	------	------	------

U005\_S006\_S001  
END FENCE:PAPER TRAY:ASS'Y

108.D1492842 109.D1492843  
LEVER:END FENC E CLICK:END FENCE



39.D0BQ2840  
END FENCE:PAPE R TRAY:ASS'Y



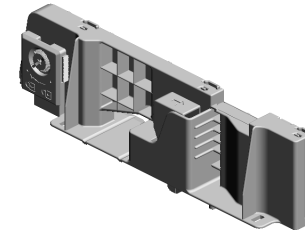
110.D1492845  
COMPRESSION SP RING:END FENCE: LEVER:5N

U001	U002	U003	U004	<b>U005</b>	U006	U007	U008	U009	U010	U011	U012	U013	U014	U015	U016	U017	U018
------	------	------	------	-------------	------	------	------	------	------	------	------	------	------	------	------	------	------



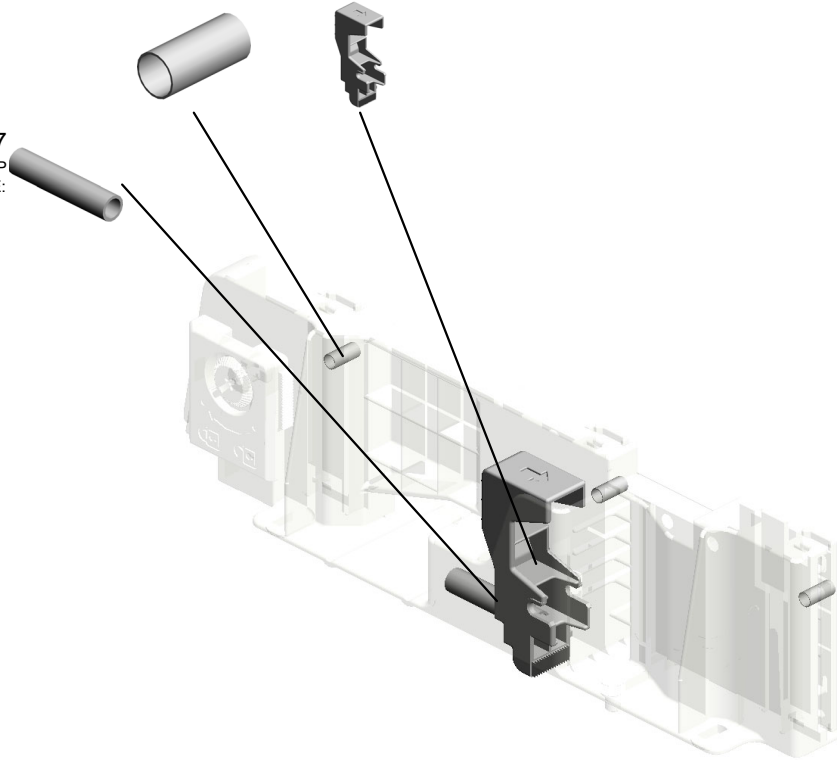
U005\_S006\_S002  
SIDE FENCE:FRONT:ASSY

105.D1492826 104.D1492824  
(x3) LEVER:STOPPER:  
COMPRESSION SP FRONT  
RING:SIDE FENCE:  
PLATE:FRONT



70.D0E32876  
SIDE FENCE:FRON  
T:ASSY

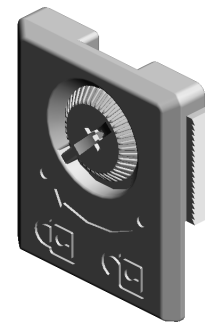
106.D1492827  
COMPRESSION SP  
RING:SIDE FENCE:  
POSITIONING



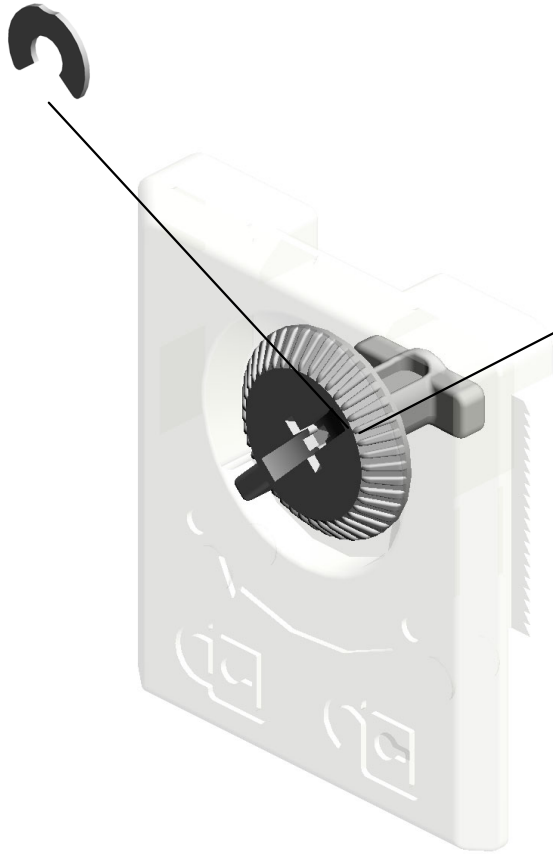
U001	U002	U003	U004	U005	U006	U007	U008	U009	U010	U011	U012	U013	U014	U015	U016	U017	U018
------	------	------	------	------	------	------	------	------	------	------	------	------	------	------	------	------	------

U005\_S006\_S002\_S001  
STAY:END FENCE:ASS'Y

13.08050104  
RETAINING RINGS  
-E:SILENCER:DIA4



43.D0BQ2966  
STAY:END FENCE:  
ASS'Y

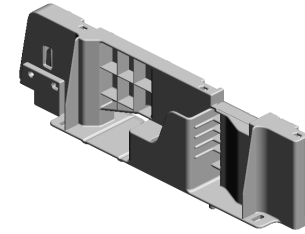


44.D0BQ2967  
KNOB SCREW:STA  
Y:END FENCE

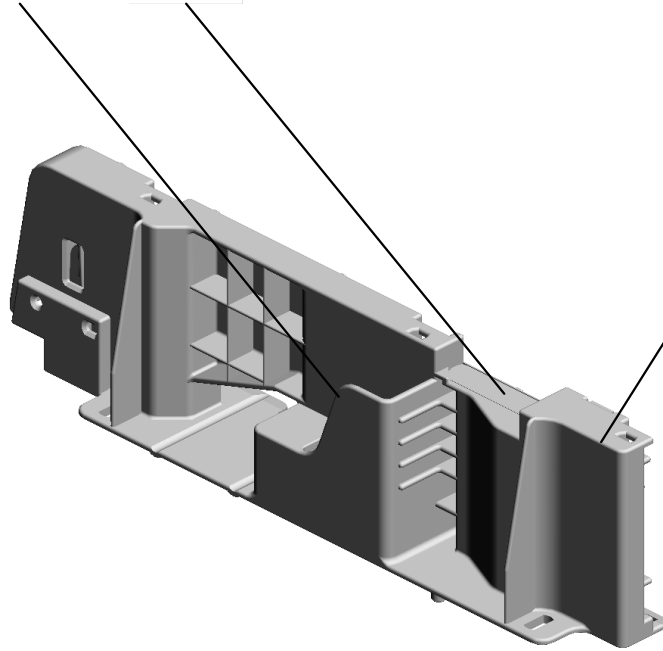
U001	U002	U003	U004	U005	U006	U007	U008	U009	U010	U011	U012	U013	U014	U015	U016	U017	U018
------	------	------	------	------	------	------	------	------	------	------	------	------	------	------	------	------	------

U005\_S006\_S002\_S002  
SIDE FENCE:FRONT:SUB-ASS'Y

72.D0E32878 42.D0BQ2959  
SIDE FENCE:FRON DECAL:SIDE FENC  
T:UNIVERSAL:NO.2 E:PAPER VOLUME:  
FRONT FRONT



71.D0E32877  
SIDE FENCE:FRON  
T:SUB-ASS'Y

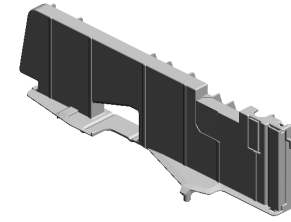


34.B2342864  
PAD:CLEANER

U001	U002	U003	U004	U005	U006	U007	U008	U009	U010	U011	U012	U013	U014	U015	U016	U017	U018
------	------	------	------	------	------	------	------	------	------	------	------	------	------	------	------	------	------

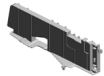
U005\_S006\_S003  
SIDE FENCE:REAR:ASSY

41.D0BQ2954  
DECAL:SIDE FENC  
E:PAPER VOLUME:  
ENVELOPE

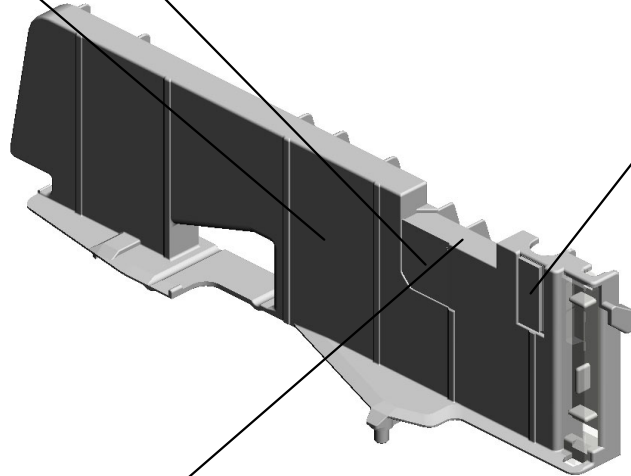


74.D0E32880  
SIDE FENCE:REAR  
:ASSY

73.D0E32879  
SIDE FENCE:REAR  
:UNIVERSAL:NO.2



34.B2342864  
PAD:CLEANER

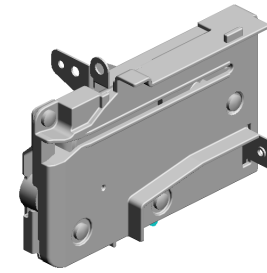


40.D0BQ2952  
DECAL:SIDE FENC  
E:PAPER VOLUME

U001	U002	U003	U004	<b>U005</b>	U006	U007	U008	U009	U010	U011	U012	U013	U014	U015	U016	U017	U018
------	------	------	------	-------------	------	------	------	------	------	------	------	------	------	------	------	------	------

U005\_S007  
LEVER:STRETCH:PAPER TRAY:ASS'Y

2.03530040N (x5) SCREW - M3X4  
 145.D2412943 TENSION SPRING: LEVER:AUXILIARY  
 128.D1492964 LEVER:LOCK:PAW L



144.D2412906  
LEVER:STRETCH:  
PAPER TRAY:ASS'  
Y

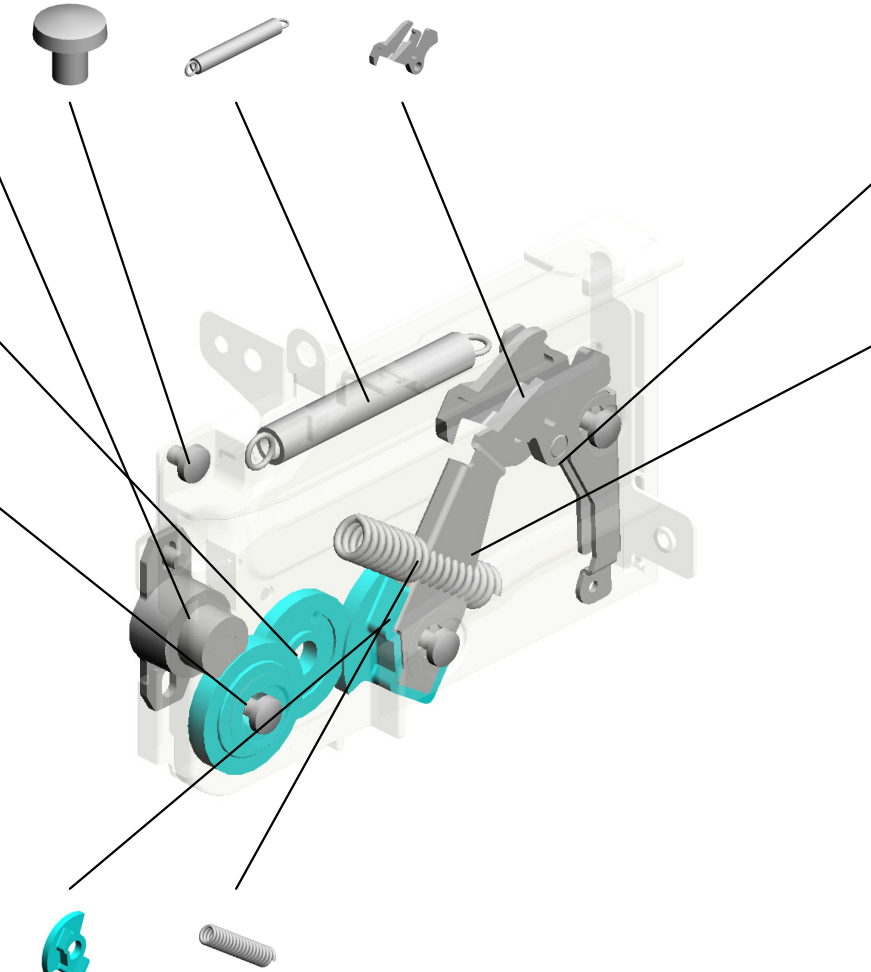
79.D0E32945  
OIL DAMPER:30MN



123.D1492938  
GEAR:IDLER:Z25



124.D1492948  
GEAR:IDLER:Z26



129.D1492965  
LEVER:STRETCH:  
COIL SPRING



127.D1492961  
LEVER:STRETCH:  
PEEN



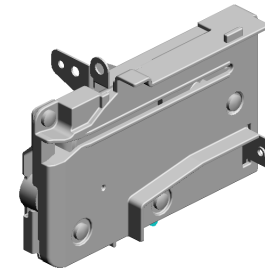
122.D1492937 GEAR:LEVER:STR  
ETCH  
 88.D1482942 TENSION SPRING:  
LEVER



U001	U002	U003	U004	<b>U005</b>	U006	U007	U008	U009	U010	U011	U012	U013	U014	U015	U016	U017	U018
------	------	------	------	-------------	------	------	------	------	------	------	------	------	------	------	------	------	------

U005\_S008  
LEVER:STRETCH:PAPER TRAY:ASS'Y

2.03530040N (x5) SCREW - M3X4  
 145.D2412943 TENSION SPRING: LEVER:AUXILIARY  
 128.D1492964 LEVER:LOCK:PAW L



144.D2412906 LEVER:STRETCH: PAPER TRAY:ASS' Y

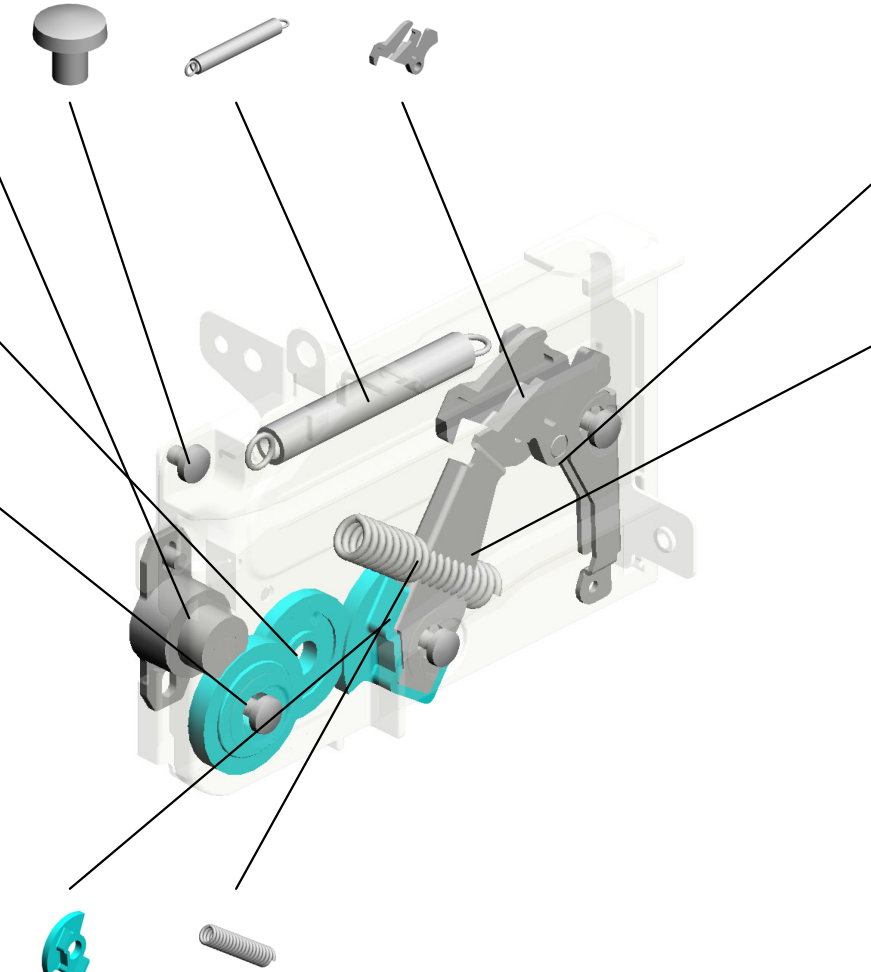
79.D0E32945 OIL DAMPER:30MN



123.D1492938 GEAR:IDLER:Z25



124.D1492948 GEAR:IDLER:Z26



129.D1492965 LEVER:STRETCH: COIL SPRING



127.D1492961 LEVER:STRETCH: PEEN



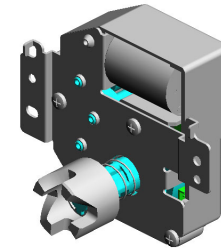
122.D1492937 GEAR:LEVER:STR ETCH  
 88.D1482942 TENSION SPRING: LEVER



U001	U002	U003	U004	<b>U005</b>	U006	U007	U008	U009	U010	U011	U012	U013	U014	U015	U016	U017	U018
------	------	------	------	-------------	------	------	------	------	------	------	------	------	------	------	------	------	------

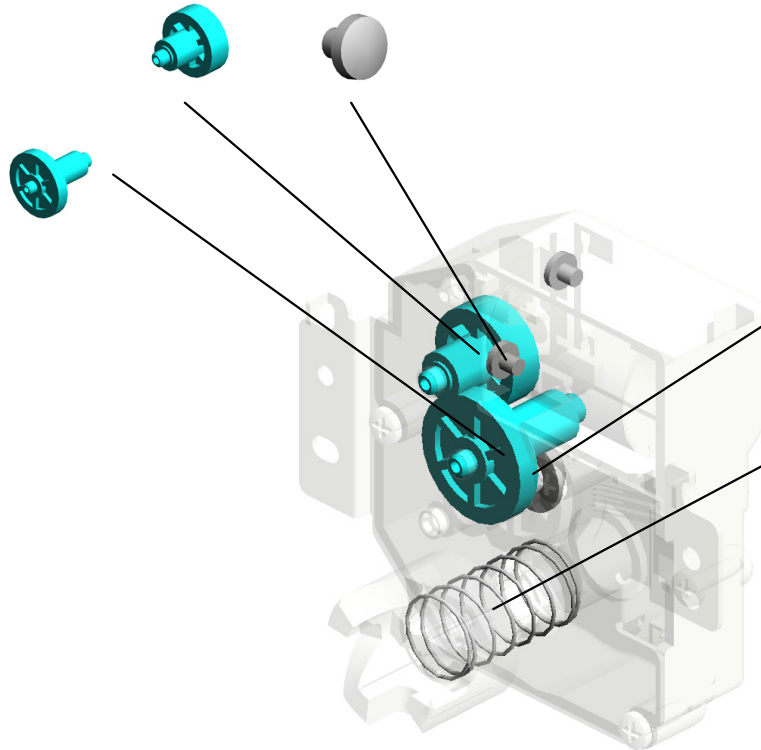
U005\_S009  
 DC MOTOR:RISING TRAY:ASS'Y:1.007W:BRUSH:(M9/M10)

25.AB017783 1.03530030N  
 GEAR:RISING TRAY:3 (x2)  
 Y:3 SCREW:M3X3



33.AX040273  
 DC MOTOR:RISING TRAY:ASS'Y:1.007 W:BRUSH:(M9/M10 )

24.AB017782  
 GEAR:RISING TRAY:2



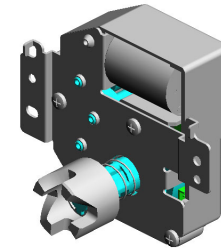
17.AA080361  
 PLAIN SHAFT BEARING:CASE:RISING TRAY

16.AA063701  
 COMPRESSION SPRING:RISING TRAY

U001	U002	U003	U004	U005	U006	U007	U008	U009	U010	U011	U012	U013	U014	U015	U016	U017	U018
------	------	------	------	------	------	------	------	------	------	------	------	------	------	------	------	------	------

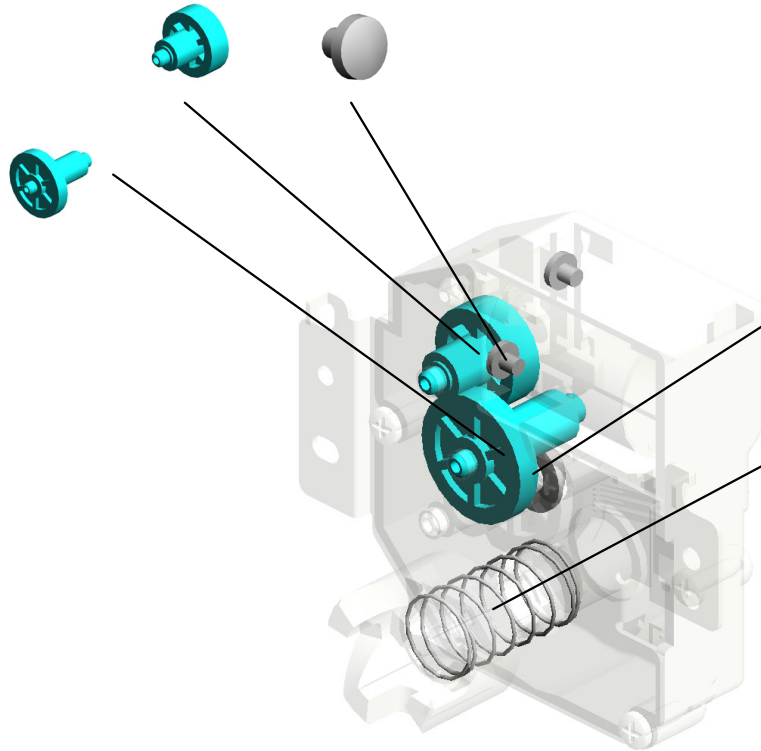
U005\_S010  
 DC MOTOR:RISING TRAY:ASS'Y:1.007W:BRUSH:(M9/M10)

25.AB017783 1.03530030N  
 GEAR:RISING TRA (x2)  
 Y:3 SCREW:M3X3



33.AX040273  
 DC MOTOR:RISING  
 TRAY:ASS'Y:1.007  
 W:BRUSH:(M9/M10  
 )

24.AB017782  
 GEAR:RISING TRA  
 Y:2



17.AA080361  
 PLAIN SHAFT BEA  
 RING:CASE:RISIN  
 G TRAY

16.AA063701  
 COMPRESSION SP  
 RING:RISING TRAY

U001	U002	U003	U004	U005	U006	U007	U008	U009	U010	U011	U012	U013	U014	U015	U016	U017	U018
------	------	------	------	------	------	------	------	------	------	------	------	------	------	------	------	------	------



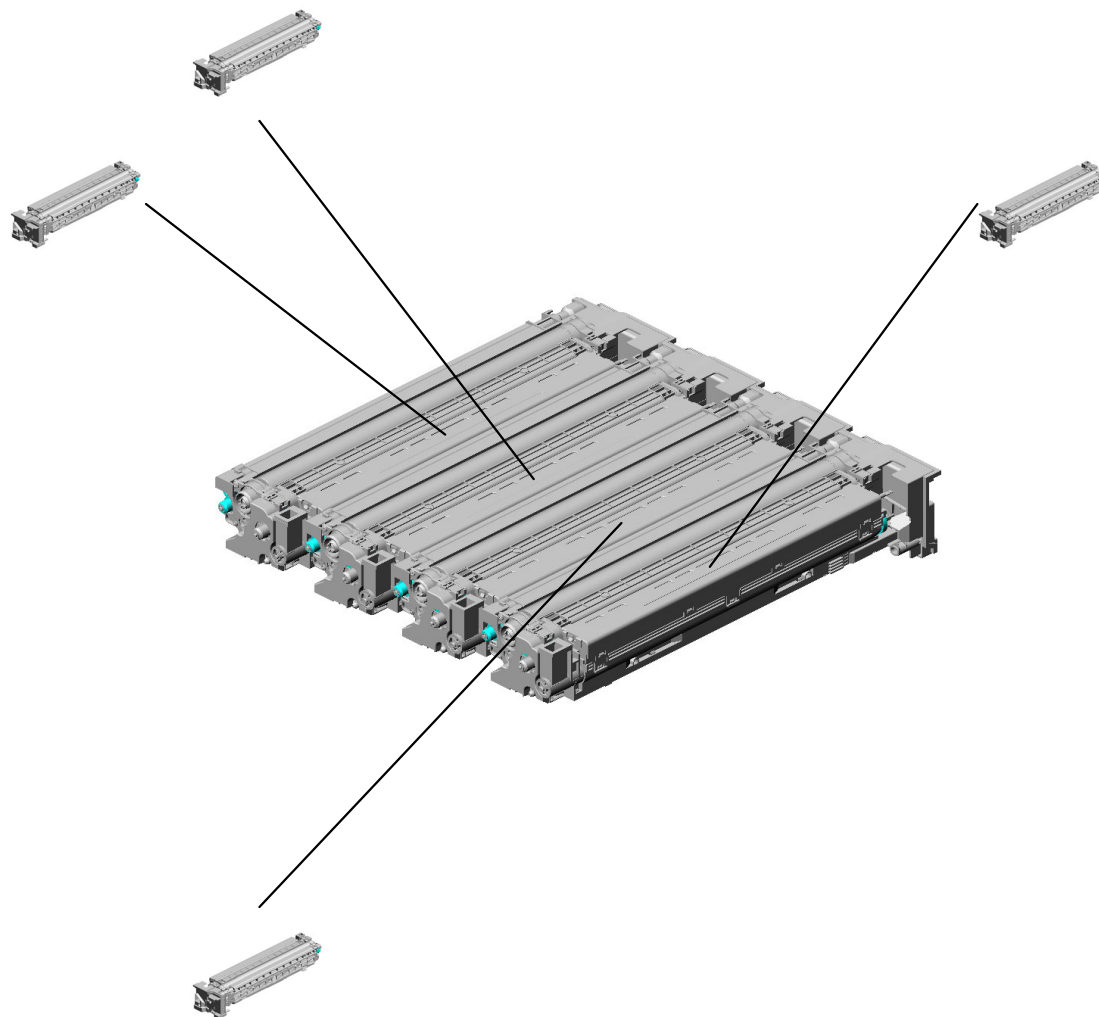
# U006.PCDU

U006 S002  
D0E12211  
PCDU:C:IMC3010-3510

U006 S001  
D0E22224  
PCDU:K:IMC3010-6010

U006 S004  
D0E12213  
PCDU:Y:IMC3010-3510

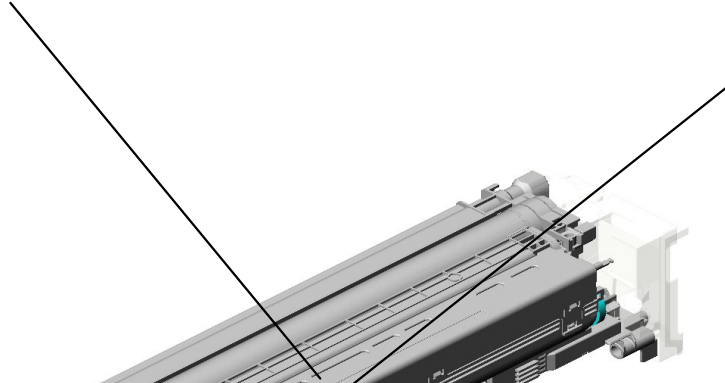
U006 S003  
D0E12212  
PCDU:M:IMC3010-3510



U001	U002	U003	U004	U005	<b>U006</b>	U007	U008	U009	U010	U011	U012	U013	U014	U015	U016	U017	U018
------	------	------	------	------	-------------	------	------	------	------	------	------	------	------	------	------	------	------

# U006\_S001.PCDU:K:IMC3010-6010

U006 S001 S001  
D0E12215  
PCU:K:IMC3010-6010



U006 S001 S002  
D0E33000  
DEVELOPMENT UNIT:K:IMC3  
010-6010



U001	U002	U003	U004	U005	<b>U006</b>	U007	U008	U009	U010	U011	U012	U013	U014	U015	U016	U017	U018
------	------	------	------	------	-------------	------	------	------	------	------	------	------	------	------	------	------	------

# U006\_S002.PCDU:C:IMC3010-3510

U006 S002 S001  
D0E12216  
PCU:CMY:IMC3010-3510



U006 S002 S002  
D0E13011  
DEVELOPMENT UNIT:C:IMC3  
010-3510



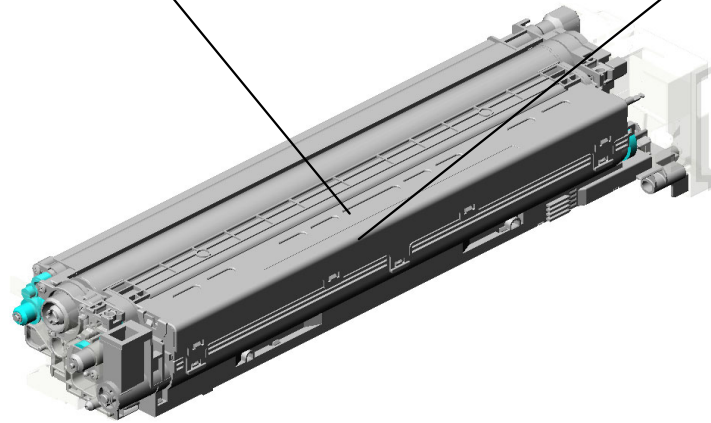
U001	U002	U003	U004	U005	<b>U006</b>	U007	U008	U009	U010	U011	U012	U013	U014	U015	U016	U017	U018
------	------	------	------	------	-------------	------	------	------	------	------	------	------	------	------	------	------	------

# U006\_S003.PCDU:M:IMC3010-3510

U006 S003 S001  
D0E12216  
PCU:CMY:IMC3010-3510



U006 S003 S002  
D0E13012  
DEVELOPMENT UNIT:M:IMC  
3010-3510



U001	U002	U003	U004	U005	<b>U006</b>	U007	U008	U009	U010	U011	U012	U013	U014	U015	U016	U017	U018
------	------	------	------	------	-------------	------	------	------	------	------	------	------	------	------	------	------	------

# U006\_S004.PCDU:Y:IMC3010-3510

U006 S004 S001  
D0E12216  
PCU:CMY:IMC3010-3510

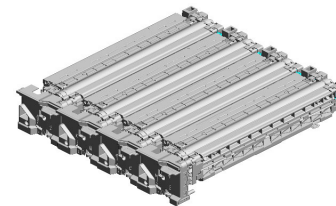


U006 S004 S002  
D0E13013  
DEVELOPMENT UNIT:Y:IMC3  
010-3510



U001	U002	U003	U004	U005	<b>U006</b>	U007	U008	U009	U010	U011	U012	U013	U014	U015	U016	U017	U018
------	------	------	------	------	-------------	------	------	------	------	------	------	------	------	------	------	------	------

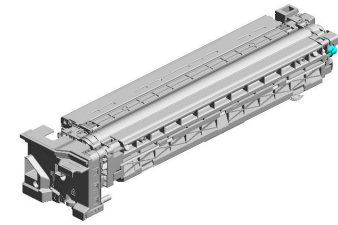
U006  
PCDU



U001	U002	U003	U004	U005	U006	U007	U008	U009	U010	U011	U012	U013	U014	U015	U016	U017	U018
------	------	------	------	------	------	------	------	------	------	------	------	------	------	------	------	------	------

U006\_S001  
PCDU:K:IMC3010-6010

19.D0E33194 21.GA003995  
COVER:PCU:REAR DECAL:DESIGN SK  
:ASSY ETCH:BLACK



16.D0E22224  
PCDU:K:IMC3010-6  
010



2.04593010N  
(x3)  
BINDING HEAD TA  
PPING SCREW:3X  
10

U001	U002	U003	U004	U005	<b>U006</b>	U007	U008	U009	U010	U011	U012	U013	U014	U015	U016	U017	U018
------	------	------	------	------	-------------	------	------	------	------	------	------	------	------	------	------	------	------

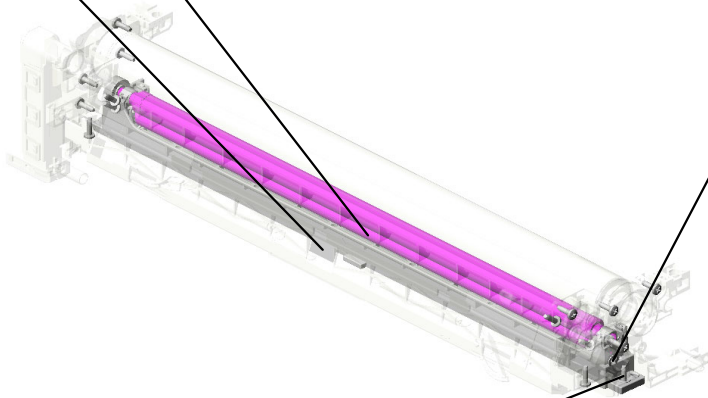
U006\_S001\_S001  
PCU:K:IMC3010-6010

7.D0BQ2071  
CHARGE UNIT:ASSY



11.D0E12215  
PCU:K:IMC3010-6010

20.D1492373  
SEAL:CASE:COATING BAR:TENSION SPRING



3.07200030E  
RETAINING RING - M3



2.04593010N  
(x16)  
BINDING HEAD TAPPING SCREW:3X10

U001	U002	U003	U004	U005	<b>U006</b>	U007	U008	U009	U010	U011	U012	U013	U014	U015	U016	U017	U018
------	------	------	------	------	-------------	------	------	------	------	------	------	------	------	------	------	------	------



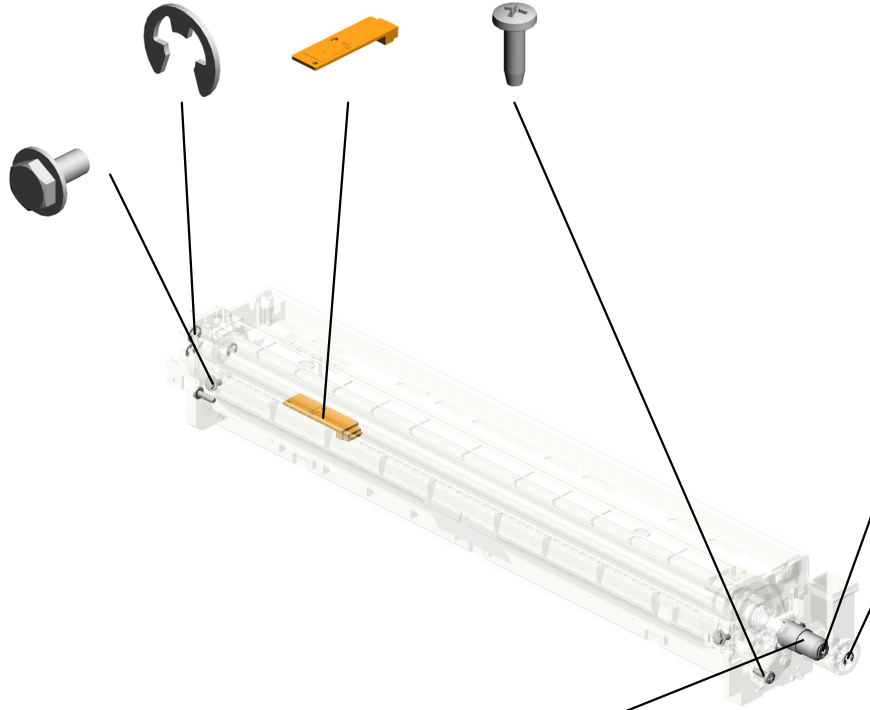
U006\_S001\_S002  
 DEVELOPMENT UNIT:K:IMC3010-6010

4.07200040E RETAINING RING - M4  
 6.AW230113 PCB:MYU:SENSOR (S37/S38/S39/S40)  
 2.04593010N (x3) BINDING HEAD TAPPING SCREW:3X10



17.D0E33000  
 DEVELOPMENT UNIT:K:IMC3010-6010

1.03603006N (x2) SCREW - M3X6



5.08050100 RETAINING RING - M2.5

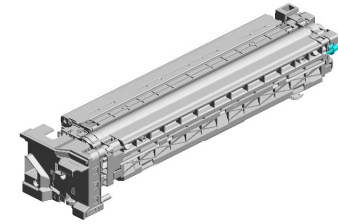
3.07200030E (x4) RETAINING RING - M3

18.D0E33143 JOINT:DEVELOPMENT

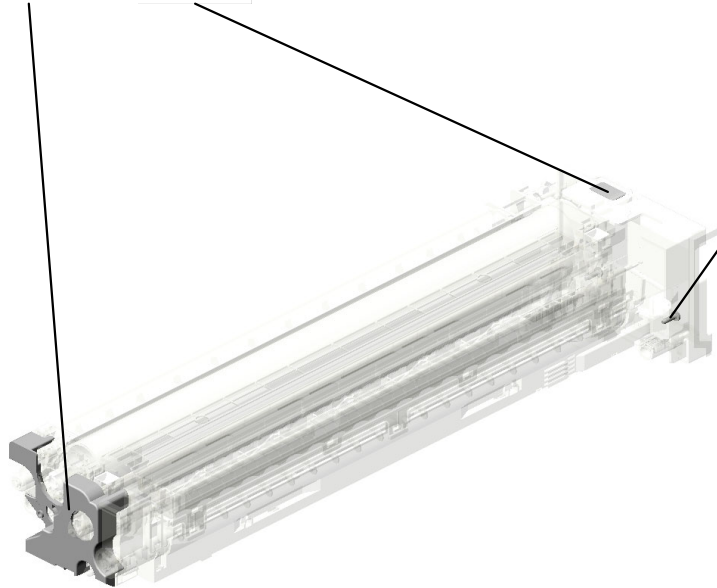
U001	U002	U003	U004	U005	U006	U007	U008	U009	U010	U011	U012	U013	U014	U015	U016	U017	U018
------	------	------	------	------	------	------	------	------	------	------	------	------	------	------	------	------	------

U006\_S002  
PCDU:C:IMC3010-3510

19.D0E33194 22.GA003996  
COVER:PCU:REAR DECAL:DESIGN SK  
:ASSY ETCH:CYAN



8.D0E12211  
PCDU:C:IMC3010-3  
510



2.04593010N  
(x3)  
BINDING HEAD TA  
PPING SCREW:3X  
10

U001	U002	U003	U004	U005	<b>U006</b>	U007	U008	U009	U010	U011	U012	U013	U014	U015	U016	U017	U018
------	------	------	------	------	-------------	------	------	------	------	------	------	------	------	------	------	------	------

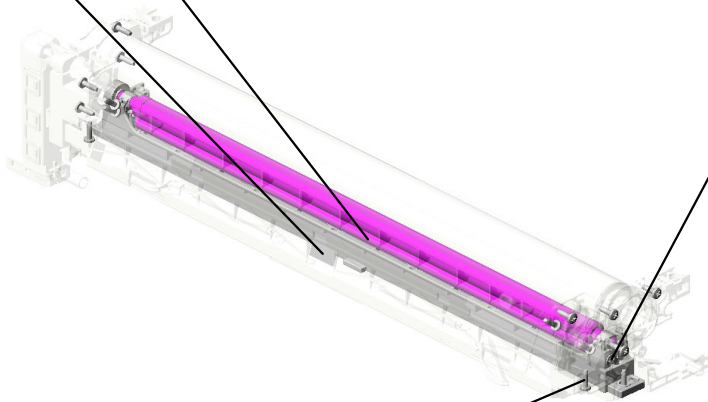
U006\_S002\_S001  
PCU:CMY:IMC3010-3510

7.D0BQ2071  
CHARGE UNIT:ASSY



12.D0E12216  
PCU:CMY:IMC3010-3510

20.D1492373  
SEAL:CASE:COATING BAR:TENSION SPRING



3.07200030E  
RETAINING RING - M3



2.04593010N  
(x16)  
BINDING HEAD TAPPING SCREW:3X10

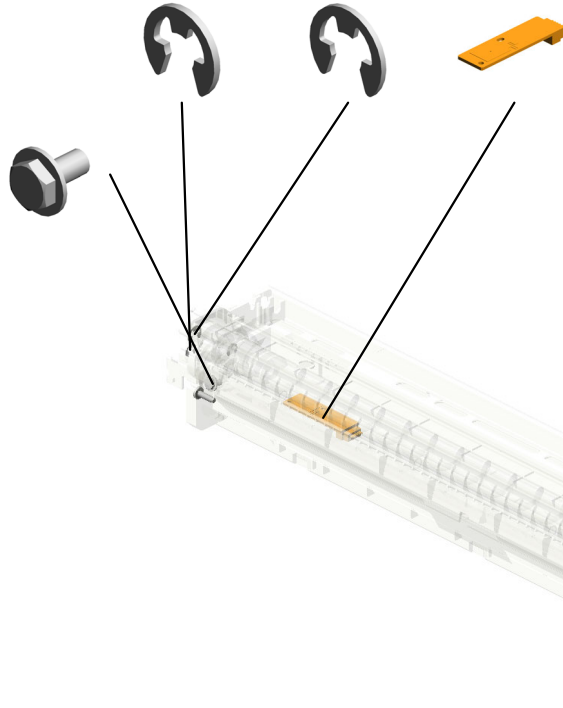
U001	U002	U003	U004	U005	<b>U006</b>	U007	U008	U009	U010	U011	U012	U013	U014	U015	U016	U017	U018
------	------	------	------	------	-------------	------	------	------	------	------	------	------	------	------	------	------	------

3.07200030E (x4) RETAINING RING - M3  
4.07200040E RETAINING RING - M4  
6.AW230113 PCB:MYU:SENSOR (S37/S38/S39/S40)



13.D0E13011 DEVELOPMENT UNIT:C:IMC3010-3510

1.03603006N (x2) SCREW - M3X6



18.D0E33143 JOINT:DEVELOPMENT

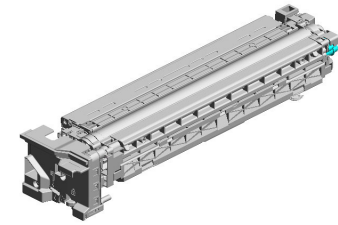
5.08050100 RETAINING RING - M2.5

2.04593010N (x3) BINDING HEAD TAPPING SCREW:3X10

U001	U002	U003	U004	U005	<b>U006</b>	U007	U008	U009	U010	U011	U012	U013	U014	U015	U016	U017	U018
------	------	------	------	------	-------------	------	------	------	------	------	------	------	------	------	------	------	------

U006\_S003  
PCDU:M:IMC3010-3510

19.D0E33194 23.GA003997  
COVER:PCU:REAR DECAL:DESIGN SK  
:ASSY ETCH:MAGENTA



9.D0E12212  
PCDU:M:IMC3010-3  
510



2.04593010N  
(x3)  
BINDING HEAD TA  
PPING SCREW:3X  
10



U001	U002	U003	U004	U005	<b>U006</b>	U007	U008	U009	U010	U011	U012	U013	U014	U015	U016	U017	U018
------	------	------	------	------	-------------	------	------	------	------	------	------	------	------	------	------	------	------

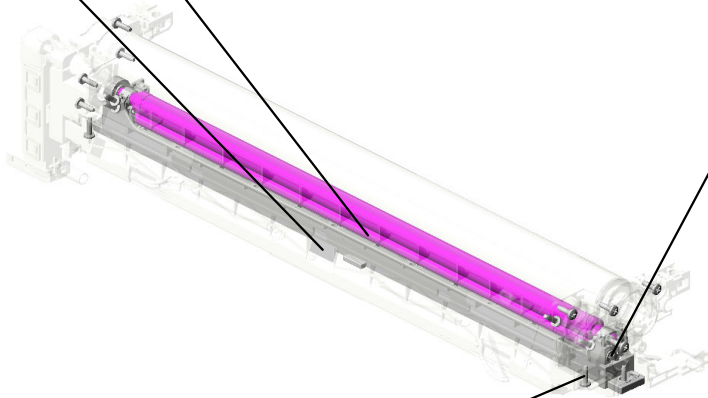
U006\_S003\_S001  
PCU:CMY:IMC3010-3510

7.D0BQ2071  
CHARGE UNIT:ASSY



12.D0E12216  
PCU:CMY:IMC3010-3510

20.D1492373  
SEAL:CASE:COATING BAR:TENSION SPRING



3.07200030E  
RETAINING RING - M3



2.04593010N  
(x16)  
BINDING HEAD TAPPING SCREW:3X10

U001	U002	U003	U004	U005	<b>U006</b>	U007	U008	U009	U010	U011	U012	U013	U014	U015	U016	U017	U018
------	------	------	------	------	-------------	------	------	------	------	------	------	------	------	------	------	------	------

U006\_S003\_S002

DEVELOPMENT UNIT:M:IMC3010-3510

3.07200030E (x4)  
RETAINING RING - M3

4.07200040E  
RETAINING RING - M4

6.AW230113  
PCB:MYU:SENSOR  
:(S37/S38/S39/S40)



14.D0E13012  
DEVELOPMENT U  
NIT:M:IMC3010-351  
0

1.03603006N  
(x2)  
SCREW - M3X6



18.D0E33143  
JOINT:DEVELOPM  
ENT

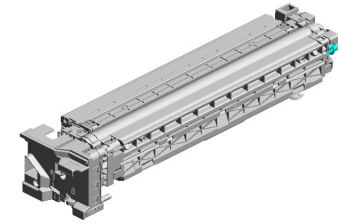
5.08050100  
RETAINING RING -  
M2.5

2.04593010N  
(x3)  
BINDING HEAD TA  
PPING SCREW:3X  
10

U001	U002	U003	U004	U005	<b>U006</b>	U007	U008	U009	U010	U011	U012	U013	U014	U015	U016	U017	U018
------	------	------	------	------	-------------	------	------	------	------	------	------	------	------	------	------	------	------

U006\_S004  
PCDU:Y:IMC3010-3510

19.D0E33194 24.GA003998  
COVER:PCU:REAR DECAL:DESIGN SK  
:ASSY ETCH:YELLOW



10.D0E12213  
PCDU:Y:IMC3010-3  
510



2.04593010N  
(x3)  
BINDING HEAD TA  
PPING SCREW:3X  
10

U001	U002	U003	U004	U005	<b>U006</b>	U007	U008	U009	U010	U011	U012	U013	U014	U015	U016	U017	U018
------	------	------	------	------	-------------	------	------	------	------	------	------	------	------	------	------	------	------



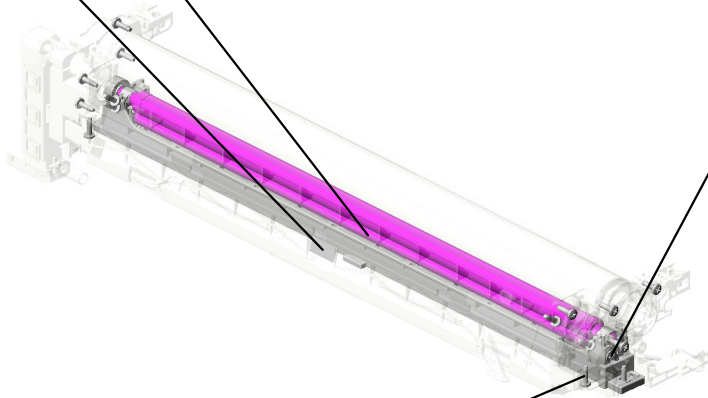
U006\_S004\_S001  
PCU:CMY:IMC3010-3510

7.D0BQ2071  
CHARGE UNIT:ASSY



12.D0E12216  
PCU:CMY:IMC3010-3510

20.D1492373  
SEAL:CASE:COATING BAR:TENSION SPRING



3.07200030E  
RETAINING RING - M3



2.04593010N  
(x16)  
BINDING HEAD TAPPING SCREW:3X10

U001	U002	U003	U004	U005	<b>U006</b>	U007	U008	U009	U010	U011	U012	U013	U014	U015	U016	U017	U018
------	------	------	------	------	-------------	------	------	------	------	------	------	------	------	------	------	------	------

3.07200030E (x4) RETAINING RING - M3  
4.07200040E RETAINING RING - M4  
6.AW230113 PCB:MYU:SENSOR (S37/S38/S39/S40)



15.D0E13013  
DEVELOPMENT U  
NIT:Y:IMC3010-351  
0

1.03603006N  
(x2)  
SCREW - M3X6



18.D0E33143  
JOINT:DEVELOPM  
ENT

5.08050100  
RETAINING RING -  
M2.5

2.04593010N  
(x3)  
BINDING HEAD TA  
PPING SCREW:3X  
10

U001	U002	U003	U004	U005	<b>U006</b>	U007	U008	U009	U010	U011	U012	U013	U014	U015	U016	U017	U018
------	------	------	------	------	-------------	------	------	------	------	------	------	------	------	------	------	------	------

# U007.DEVELOPMENT

U007 S005  
D0E33381  
TRANSPORT SCREW:NOZZL  
E:BK:ASS'Y

U007 S011  
D0E33310  
DRIVE UNIT:TONER BOTTLE  
:ASS'Y

U007 S006  
D0E33382  
TRANSPORT SCREW:NOZZL  
E:CMY:ASS'Y

U007 S010  
D0E33310  
DRIVE UNIT:TONER BOTTLE  
:ASS'Y

U007 S007  
D0E33382  
TRANSPORT SCREW:NOZZL  
E:CMY:ASS'Y

U007 S001  
D0E33340  
TONER HOPPER:TONER SU  
PPLY:K:ASS'Y

U007 S012  
D0E33310  
DRIVE UNIT:TONER BOTTLE  
:ASS'Y

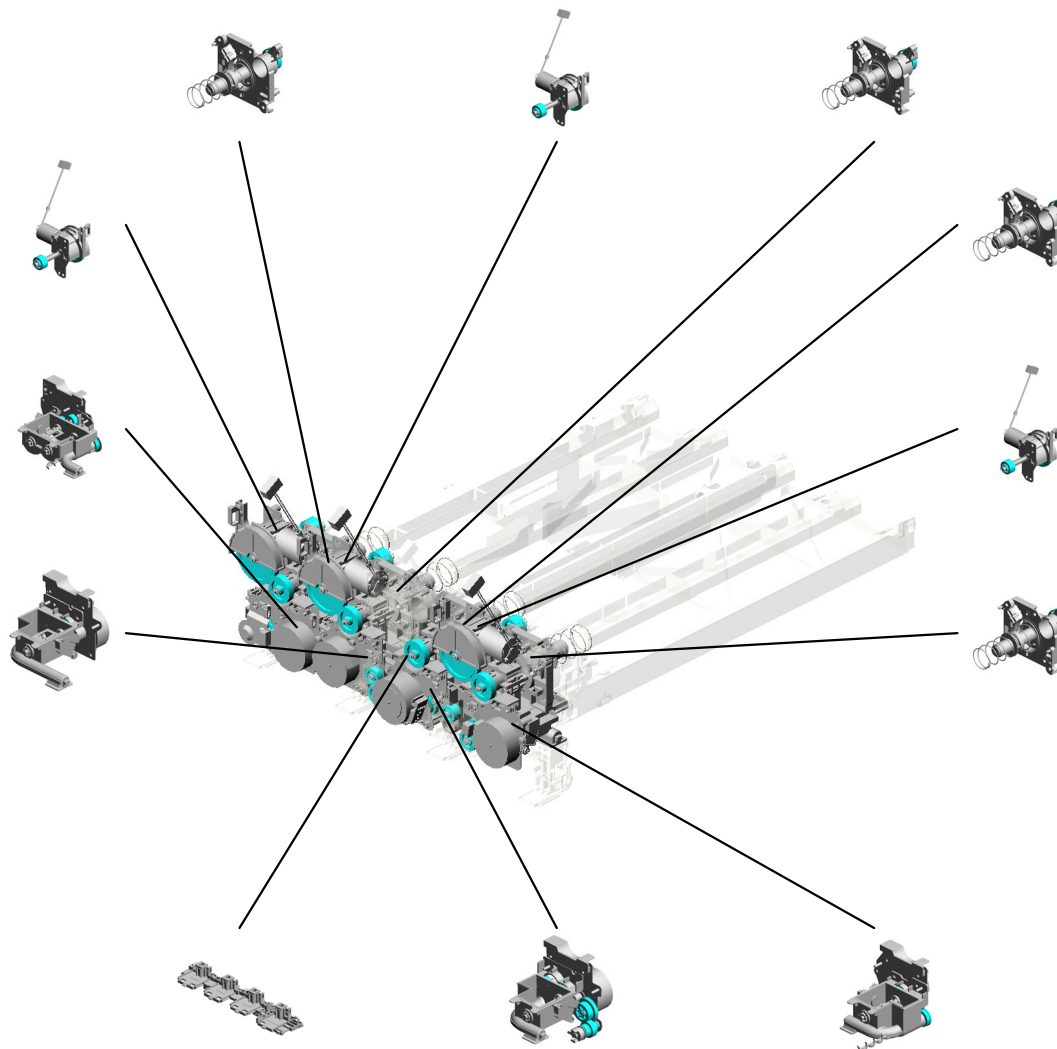
U007 S002  
D0E33350  
TONER HOPPER:TONER SU  
PPLY:C:ASS'Y

U007 S008  
D0E33382  
TRANSPORT SCREW:NOZZL  
E:CMY:ASS'Y

U007 S009  
D0E33388  
BASE:TONER HOPPER:REA  
R:ASS'Y

U007 S003  
D0E33360  
TONER HOPPER:TONER SU  
PPLY:M:ASS'Y

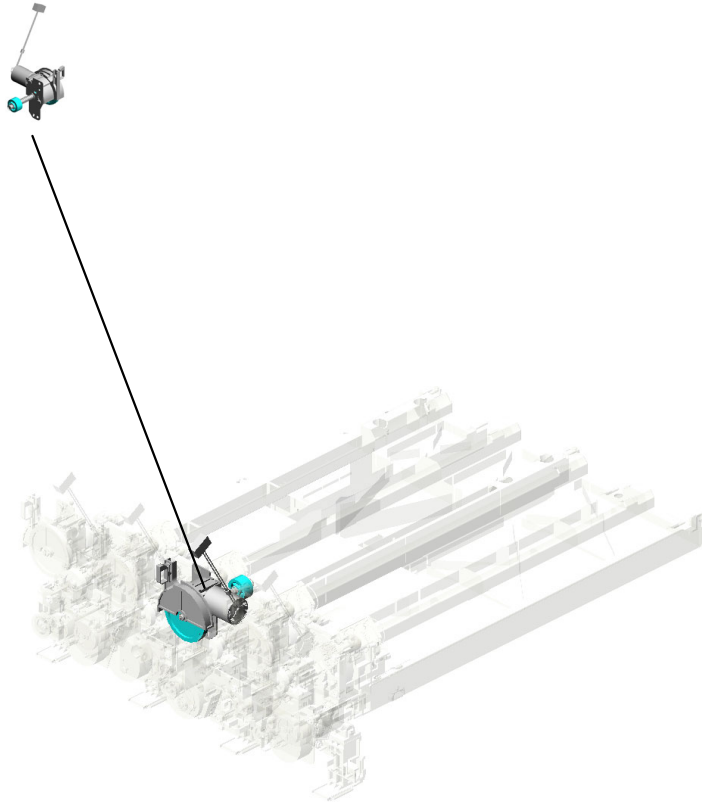
U007 S004  
D0E33370  
TONER HOPPER:TONER SU  
PPLY:Y:ASS'Y



U001	U002	U003	U004	U005	U006	U007	U008	U009	U010	U011	U012	U013	U014	U015	U016	U017	U018
------	------	------	------	------	------	------	------	------	------	------	------	------	------	------	------	------	------

# U007.DEVELOPMENT

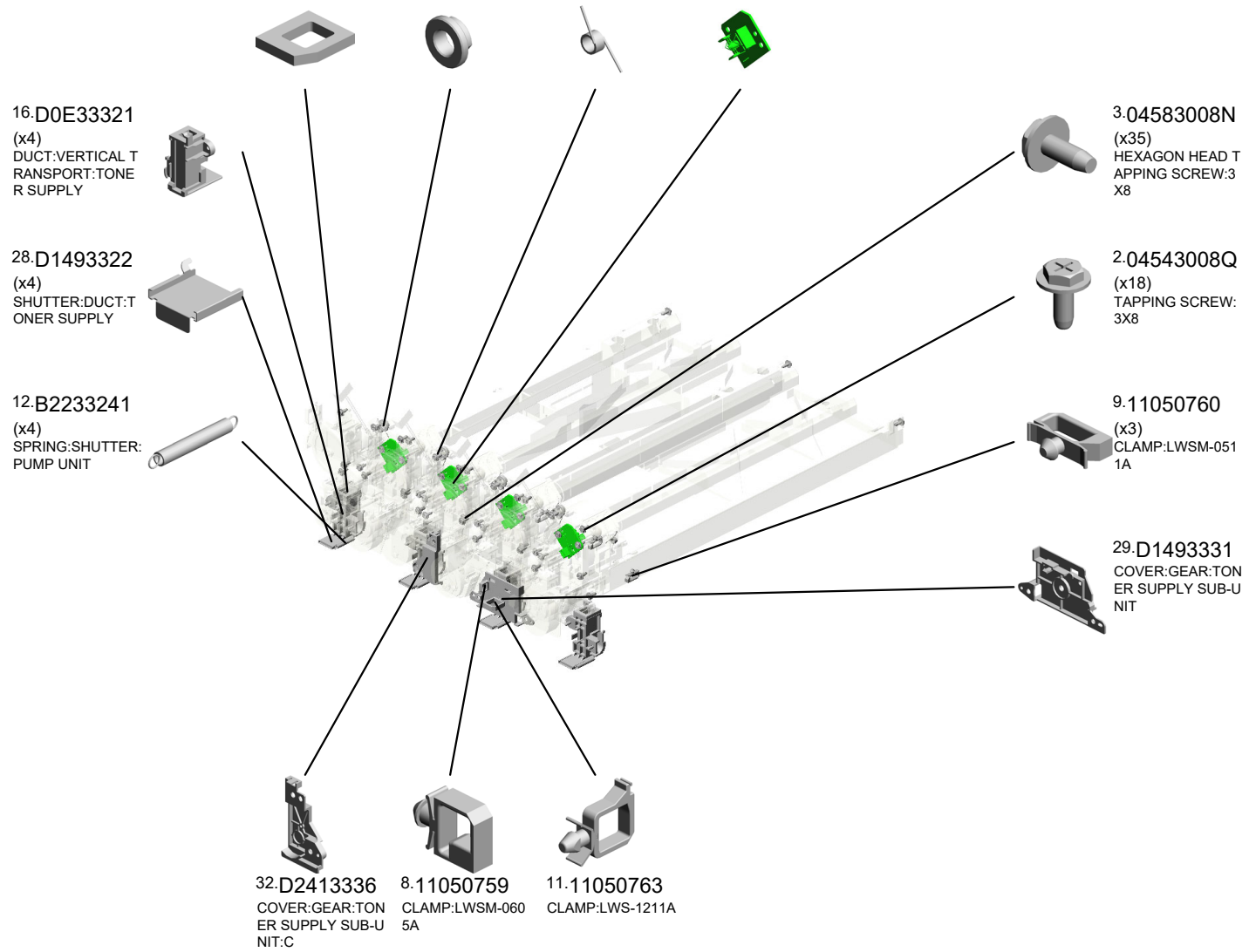
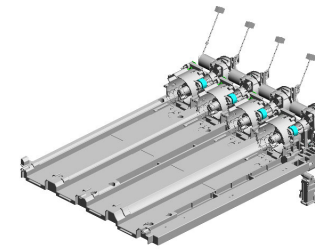
U007 S013  
D0E33310  
DRIVE UNIT:TONER BOTTLE  
:ASSY



U001	U002	U003	U004	U005	U006	U007	U008	U009	U010	U011	U012	U013	U014	U015	U016	U017	U018
------	------	------	------	------	------	------	------	------	------	------	------	------	------	------	------	------	------

# U007 DEVELOPMENT

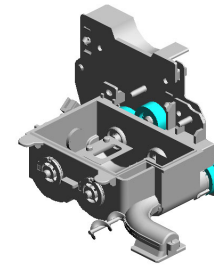
- 17.D0E33322 (x4) SEAL:DUCT:TONE R SUPPLY
- 30.D1493343 (x4) COLLAR:TONER SUPPLY
- 26.D1473325 (x8) TORSION SPRING: STOPPER:TONER CARTRIDGE:4.8N
- 14.D0BQ5172 (x4) (CHN):PCB:TCB:(P CB3/PCB4/PCB5/P CB6)



U001	U002	U003	U004	U005	U006	U007	U008	U009	U010	U011	U012	U013	U014	U015	U016	U017	U018
------	------	------	------	------	------	------	------	------	------	------	------	------	------	------	------	------	------

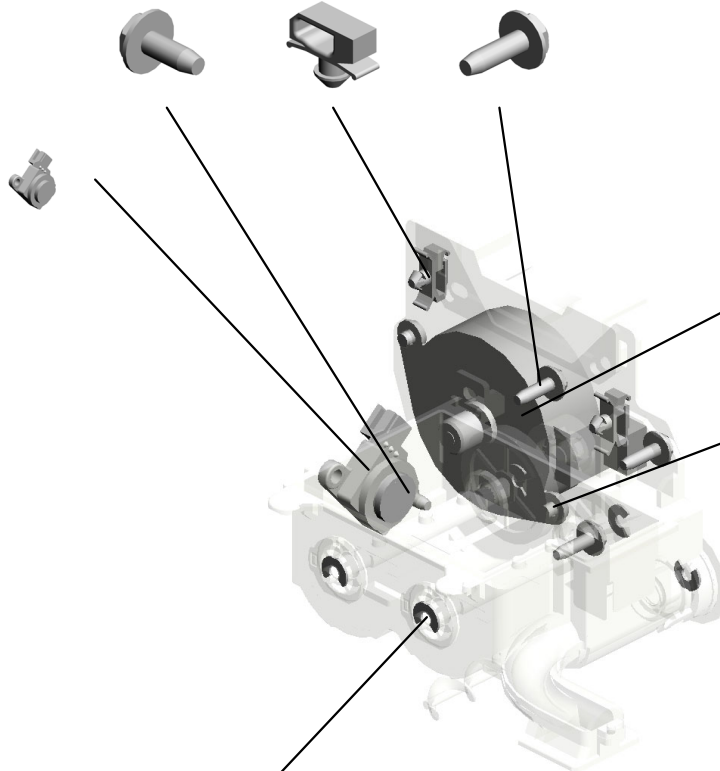
U007\_S001  
 TONER HOPPER:TONER SUPPLY:K:ASS'Y

3.04583008N 7.11050758 4.04583010N  
 HEXAGON HEAD TAPPING SCREW:3 X8 (x2) CLAMP:LWSM-030 6A (x3) HEXAGON HEAD TAPPING SCREW:3 X10



18.D0E33340  
 TONER HOPPER:TONER SUPPLY:K:ASS'Y

33.GW230008  
 TONER END SENSOR: (S28/S29/S30/S31)



31.D1493350  
 DC STEPPER MOTOR:TONER SUPPLY:(M19/M20/M22)

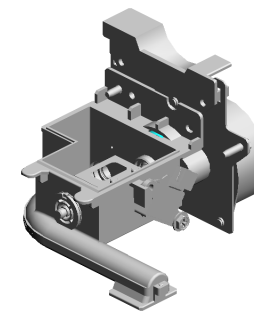
1.03530030N  
 (x2) SCREW:M3X3

6.08050103  
 (x5) RETAINING RINGS -E:SILENCER:DIA3

U001	U002	U003	U004	U005	U006	U007	U008	U009	U010	U011	U012	U013	U014	U015	U016	U017	U018
------	------	------	------	------	------	------	------	------	------	------	------	------	------	------	------	------	------

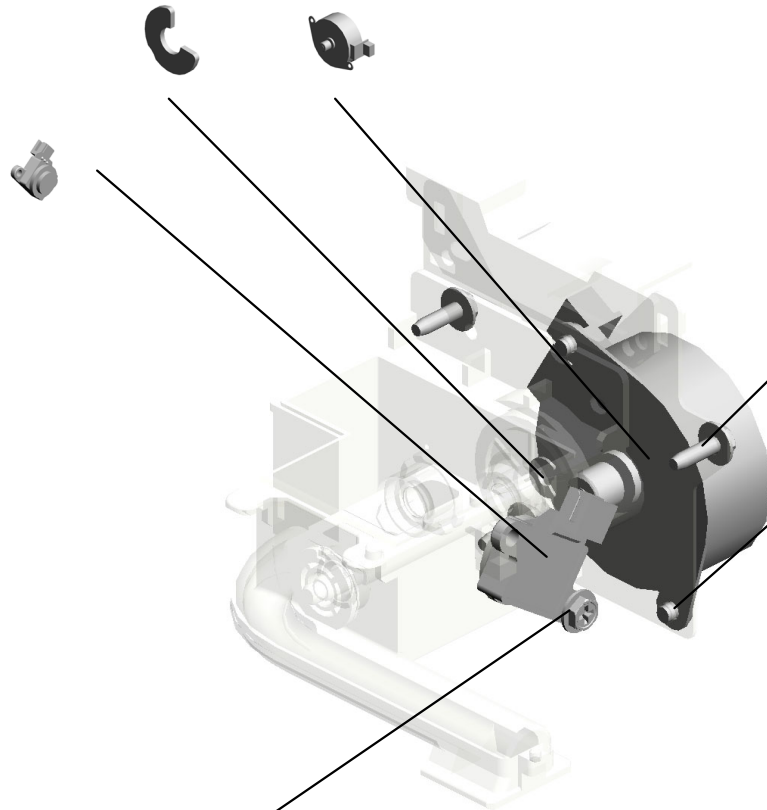
U007\_S002  
 TONER HOPPER:TONER SUPPLY:C:ASS'Y

6.08050103 31.D1493350  
 RETAINING RINGS DC STEPPER MOT  
 -E:SILENCER:DIA3 OR:TONER SUPPL  
 Y:(M19/M20/M22)



19.D0E33350  
 TONER HOPPER:T  
 ONER SUPPLY:C:A  
 SS'Y

33.GW230008  
 TONER END SENS  
 OR:(S28/S29/S30/S  
 31)



4.04583010N  
 (x3)  
 HEXAGON HEAD T  
 APPING SCREW:3  
 X10



6.08050103  
 (x2)  
 RETAINING RINGS  
 -E:SILENCER:DIA3

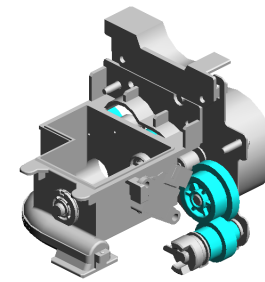
1.03530030N  
 (x2)  
 SCREW:M3X3

3.04583008N  
 HEXAGON HEAD T  
 APPING SCREW:3  
 X8

U001	U002	U003	U004	U005	U006	U007	U008	U009	U010	U011	U012	U013	U014	U015	U016	U017	U018
------	------	------	------	------	------	------	------	------	------	------	------	------	------	------	------	------	------

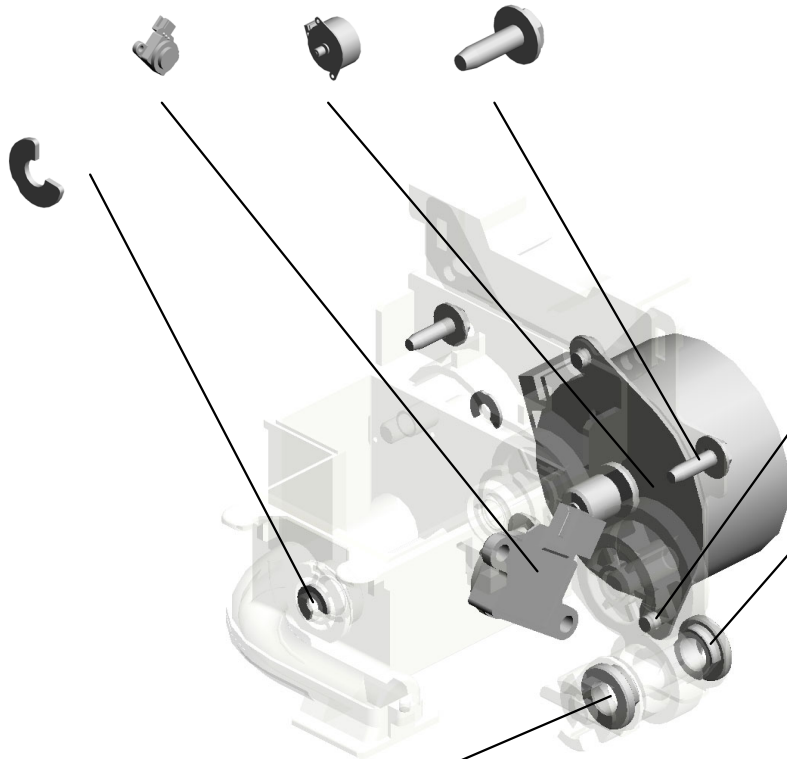
U007\_S003  
 TONER HOPPER:TONER SUPPLY:M:ASS'Y

33.GW230008 TONER END SENS  
 OR:(S28/S29/S30/S  
 31)  
 21.D0E33366 DC STEPPER MOT  
 OR:TONER SUPPL  
 Y:ON-OFF:(M21)  
 4.04583010N (x3)  
 HEXAGON HEAD T  
 APPING SCREW:3  
 X10



20.D0E33360  
 TONER HOPPER:T  
 ONER SUPPLY:M:A  
 SS'Y

6.08050103  
 (x2)  
 RETAINING RINGS  
 -E:SILENCER:DIA3



1.03530030N  
 (x2)  
 SCREW:M3X3



6.08050103  
 (x2)  
 RETAINING RINGS  
 -E:SILENCER:DIA3

5.07200040E  
 RETAINING RING -  
 M4



3.04583008N(x 1)  
 HEXAGON HEAD TAPPING SCREW:3X  
 8

30.D1493343  
 (x2)  
 COLLAR:TONER S  
 UPPLY

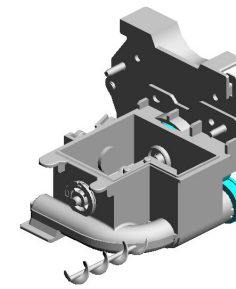


U001	U002	U003	U004	U005	U006	U007	U008	U009	U010	U011	U012	U013	U014	U015	U016	U017	U018
------	------	------	------	------	------	------	------	------	------	------	------	------	------	------	------	------	------



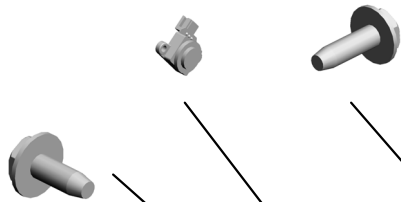
U007\_S004  
 TONER HOPPER:TONER SUPPLY:Y:ASS'Y

33.GW230008 4.04583010N  
 TONER END SENS (x3)  
 OR:(S28/S29/S30/S31)  
 HEXAGON HEAD TAPPING SCREW:3  
 X10



22.D0E33370  
 TONER HOPPER:TONER SUPPLY:Y:ASS'Y

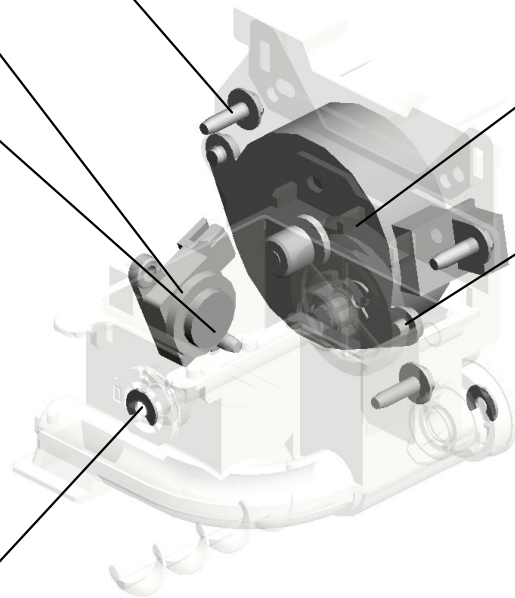
3.04583008N  
 HEXAGON HEAD TAPPING SCREW:3  
 X8



31.D1493350  
 DC STEPPER MOTOR:TONER SUPPLY:(M19/M20/M22)



1.03530030N  
 (x2)  
 SCREW:M3X3



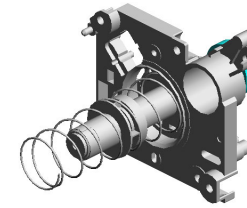
6.08050103  
 (x3)  
 RETAINING RINGS  
 -E:SILENCER:DIA3



U001	U002	U003	U004	U005	U006	U007	U008	U009	U010	U011	U012	U013	U014	U015	U016	U017	U018
------	------	------	------	------	------	------	------	------	------	------	------	------	------	------	------	------	------

U007\_S005  
TRANSPORT SCREW:NOZZLE:BK:ASS'Y

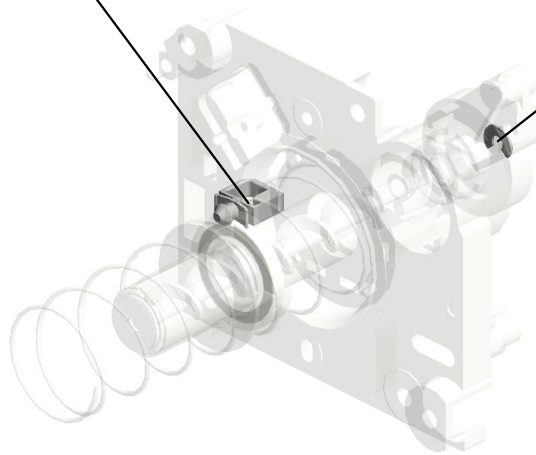
8.11050759  
CLAMP:LWSM-060  
5A



23.D0E33381  
TRANSPORT SCR  
EW:NOZZLE:BK:AS  
SY



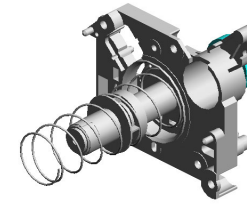
6.08050103  
RETAINING RINGS  
-E:SILENCER:DIA3



U001	U002	U003	U004	U005	U006	U007	U008	U009	U010	U011	U012	U013	U014	U015	U016	U017	U018
------	------	------	------	------	------	------	------	------	------	------	------	------	------	------	------	------	------

U007\_S006  
TRANSPORT SCREW:NOZZLE:CMY:ASS'Y

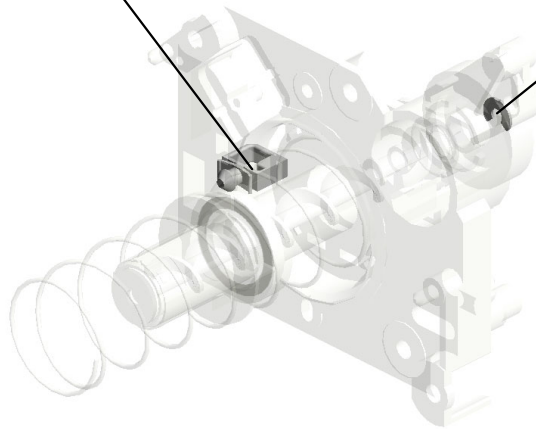
8.11050759  
CLAMP:LWSM-060  
5A



24.D0E33382  
TRANSPORT SCR  
EW:NOZZLE:CMY:  
ASS'Y



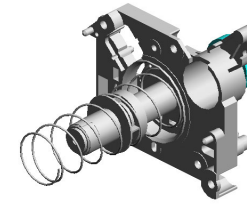
6.08050103  
RETAINING RINGS  
-E:SILENCER:DIA3



U001	U002	U003	U004	U005	U006	U007	U008	U009	U010	U011	U012	U013	U014	U015	U016	U017	U018
------	------	------	------	------	------	------	------	------	------	------	------	------	------	------	------	------	------

U007\_S007  
TRANSPORT SCREW:NOZZLE:CMY:ASS'Y

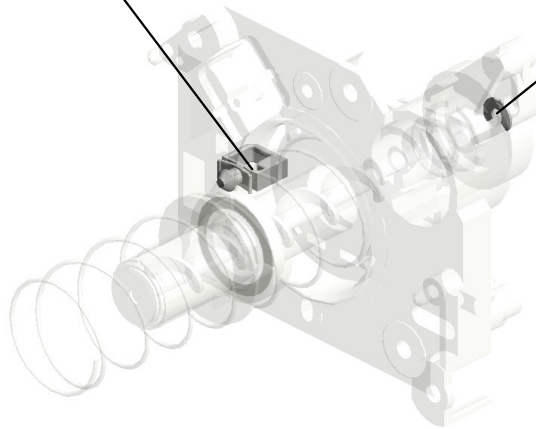
8.11050759  
CLAMP:LWSM-060  
5A



24.D0E33382  
TRANSPORT SCR  
EW:NOZZLE:CMY:  
ASS'Y



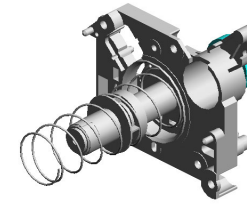
6.08050103  
RETAINING RINGS  
-E:SILENCER:DIA3



U001	U002	U003	U004	U005	U006	U007	U008	U009	U010	U011	U012	U013	U014	U015	U016	U017	U018
------	------	------	------	------	------	------	------	------	------	------	------	------	------	------	------	------	------

U007\_S008  
TRANSPORT SCREW:NOZZLE:CMY:ASS'Y

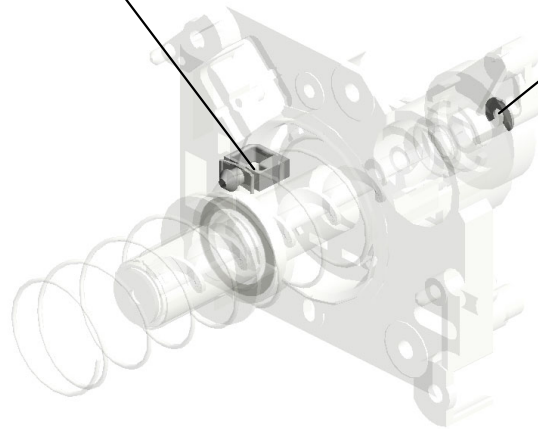
8.11050759  
CLAMP:LWSM-060  
5A



24.D0E33382  
TRANSPORT SCR  
EW:NOZZLE:CMY:  
ASS'Y



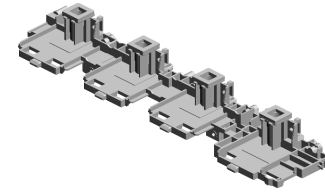
6.08050103  
RETAINING RINGS  
-E:SILENCER:DIA3



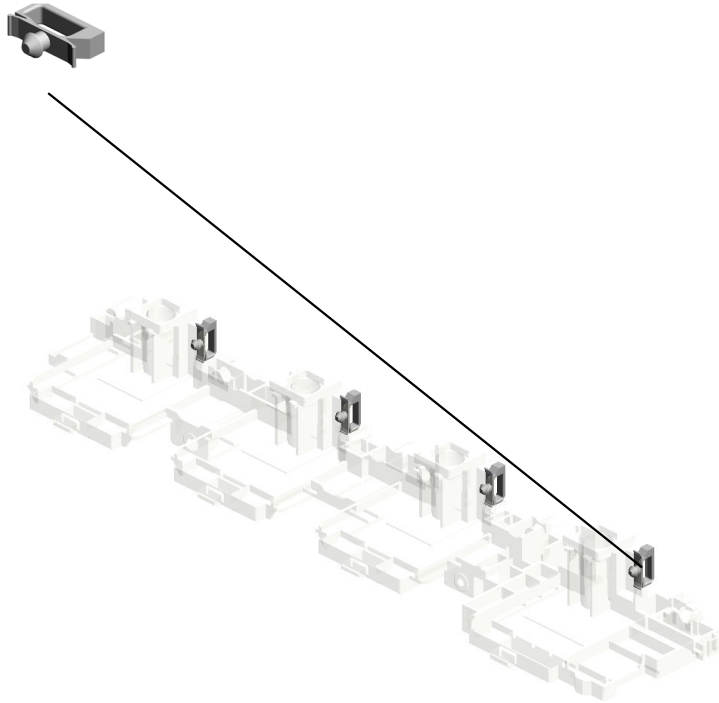
U001	U002	U003	U004	U005	U006	U007	U008	U009	U010	U011	U012	U013	U014	U015	U016	U017	U018
------	------	------	------	------	------	------	------	------	------	------	------	------	------	------	------	------	------

U007\_S009  
BASE:TONER HOPPER:REAR:ASS'Y

9.11050760  
(x4)  
CLAMP:LWSM-051  
1A



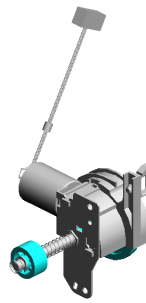
25.D0E33388  
BASE:TONER HOP  
PER:REAR:ASS'Y



U001	U002	U003	U004	U005	U006	U007	U008	U009	U010	U011	U012	U013	U014	U015	U016	U017	U018
------	------	------	------	------	------	------	------	------	------	------	------	------	------	------	------	------	------

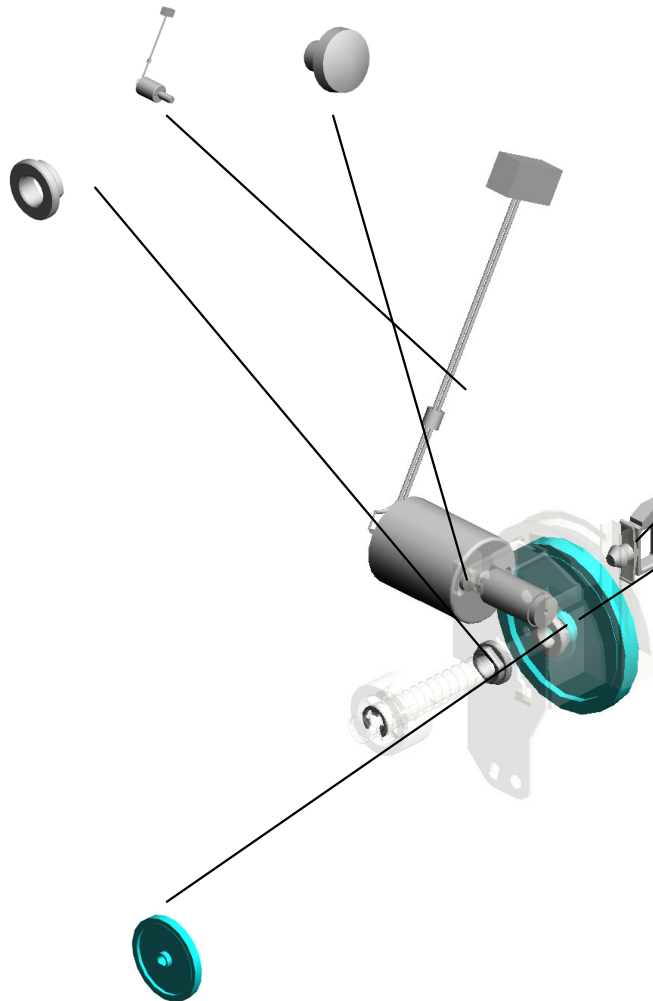
U007\_S010  
 DRIVE UNIT:TONER BOTTLE:ASS'Y

27.D1493210 1.03530030N  
 DC MOTOR: TONE (x2)  
 R BOTTLE: ASS'Y: 5. SCREW: M3X3  
 28W: BRUSH: (M30/  
 M31/M32/M34)



15.D0E33310  
 DRIVE UNIT: TONE  
 R BOTTLE: ASS'Y

30.D1493343  
 (x2)  
 COLLAR: TONER S  
 UPPLY



10.11050762  
 CLAMP: LWS-0711A

5.07200040E  
 (x2)  
 RETAINING RING -  
 M4

13.D0BQ3316  
 GEAR: IDLER: TRAN  
 SPORT SCREW

U001	U002	U003	U004	U005	U006	U007	U008	U009	U010	U011	U012	U013	U014	U015	U016	U017	U018
------	------	------	------	------	------	------	------	------	------	------	------	------	------	------	------	------	------

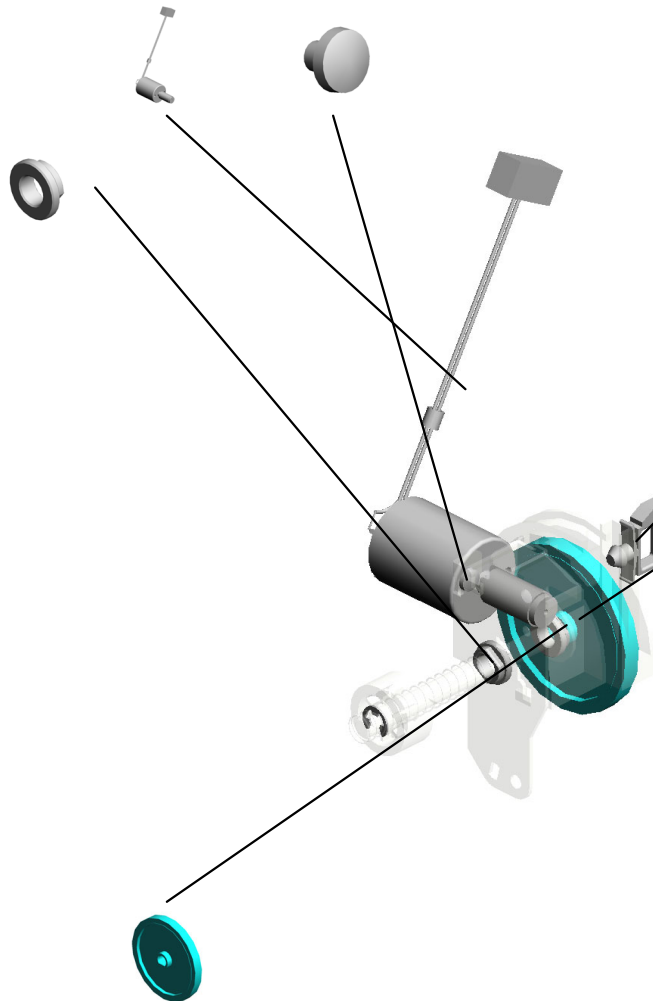
U007\_S011  
 DRIVE UNIT:TONER BOTTLE:ASS'Y

27.D1493210 1.03530030N  
 DC MOTOR: TONE (x2)  
 R BOTTLE: ASS'Y: 5. SCREW: M3X3  
 28W: BRUSH: (M30/  
 M31/M32/M34)



15.D0E33310  
 DRIVE UNIT: TONE  
 R BOTTLE: ASS'Y

30.D1493343  
 (x2)  
 COLLAR: TONER S  
 UPPLY



10.11050762  
 CLAMP: LWS-0711A

5.07200040E  
 (x2)  
 RETAINING RING -  
 M4

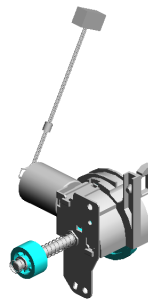
13.D0BQ3316  
 GEAR: IDLER: TRAN  
 SPORT SCREW

U001	U002	U003	U004	U005	U006	U007	U008	U009	U010	U011	U012	U013	U014	U015	U016	U017	U018
------	------	------	------	------	------	------	------	------	------	------	------	------	------	------	------	------	------



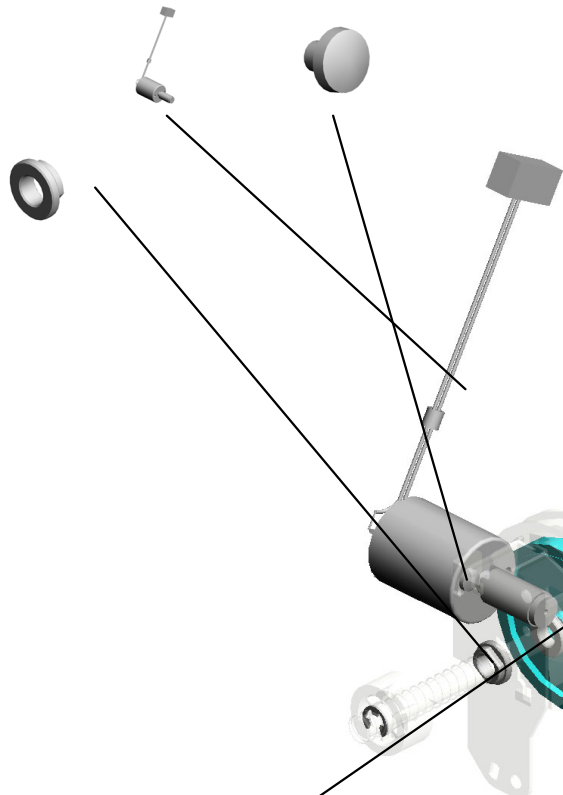
U007\_S012  
 DRIVE UNIT:TONER BOTTLE:ASS'Y

27.D1493210 1.03530030N  
 DC MOTOR: TONE (x2)  
 R BOTTLE: ASS'Y: 5. SCREW: M3X3  
 28W: BRUSH: (M30/  
 M31/M32/M34)

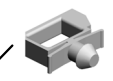


15.D0E33310  
 DRIVE UNIT: TONE  
 R BOTTLE: ASS'Y

30.D1493343  
 (x2)  
 COLLAR: TONER S  
 UPPLY



10.11050762  
 CLAMP: LWS-0711A



5.07200040E  
 (x2)  
 RETAINING RING -  
 M4



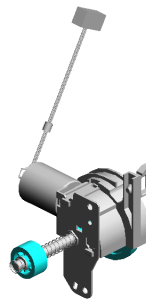
13.D0BQ3316  
 GEAR: IDLER: TRAN  
 SPORT SCREW



U001	U002	U003	U004	U005	U006	U007	U008	U009	U010	U011	U012	U013	U014	U015	U016	U017	U018
------	------	------	------	------	------	------	------	------	------	------	------	------	------	------	------	------	------

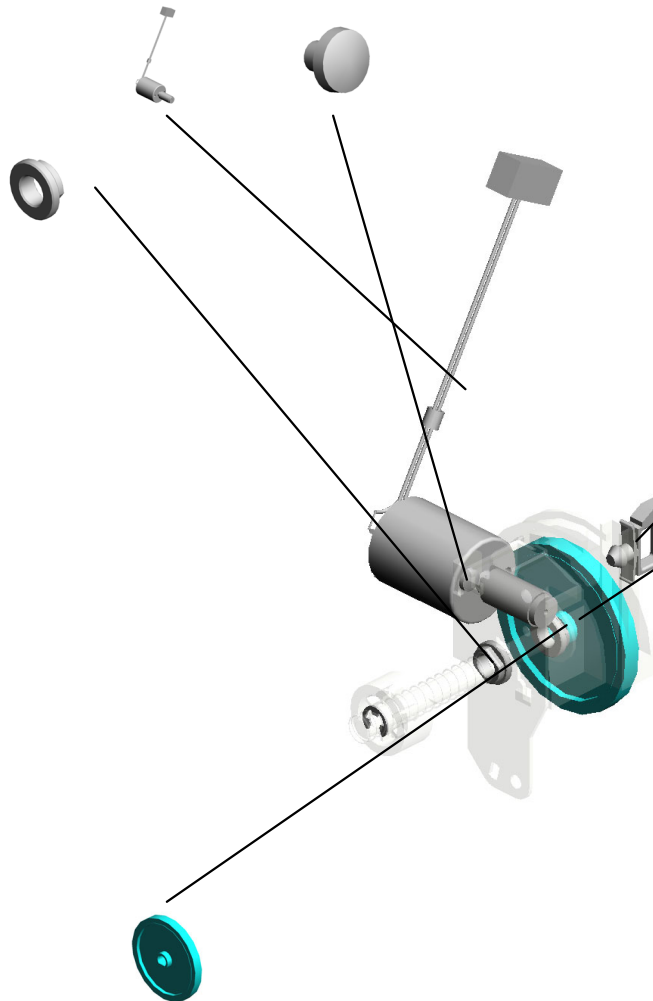
U007\_S013  
 DRIVE UNIT:TONER BOTTLE:ASS'Y

27.D1493210 1.03530030N  
 DC MOTOR: TONE (x2)  
 R BOTTLE: ASS'Y: 5. SCREW: M3X3  
 28W: BRUSH: (M30/  
 M31/M32/M34)



15.D0E33310  
 DRIVE UNIT: TONE  
 R BOTTLE: ASS'Y

30.D1493343  
 (x2)  
 COLLAR: TONER S  
 UPPLY



10.11050762  
 CLAMP: LWS-0711A

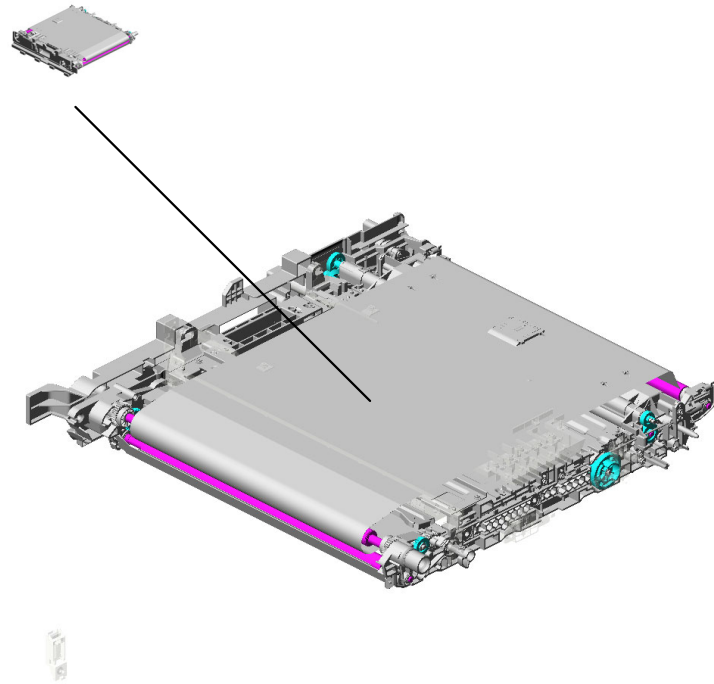
5.07200040E  
 (x2)  
 RETAINING RING -  
 M4

13.D0BQ3316  
 GEAR: IDLER: TRAN  
 SPORT SCREW

U001	U002	U003	U004	U005	U006	U007	U008	U009	U010	U011	U012	U013	U014	U015	U016	U017	U018
------	------	------	------	------	------	------	------	------	------	------	------	------	------	------	------	------	------

# U008.ITB UNIT

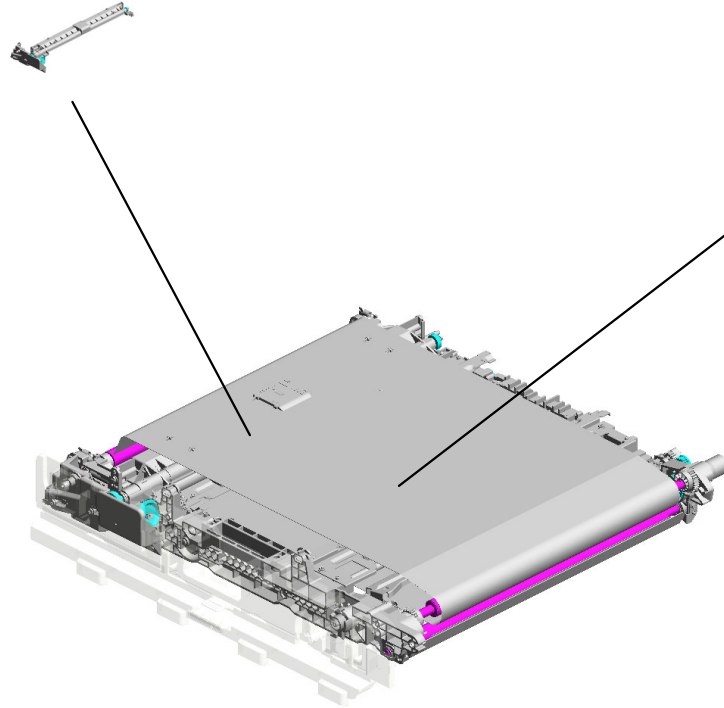
U008 S001  
D0E36005  
TRANSFER UNIT:INTERMEDI  
ATE TRANSFER:IMC2010-60  
10



U001	U002	U003	U004	U005	U006	U007	<b>U008</b>	U009	U010	U011	U012	U013	U014	U015	U016	U017	U018
------	------	------	------	------	------	------	-------------	------	------	------	------	------	------	------	------	------	------

# U008\_S001.TRANSFER UNIT:INTERMEDIATE TRANSFER:IMC2010-6010

U008 S001 S002  
D0E36139  
BELT CLEANING:INTERMEDI  
ATE TRANSFER

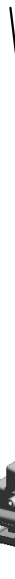


U008 S001 S001  
D0E36003  
TRANSFER UNIT:INTERMEDI  
ATE TRANSFER:ASS'Y

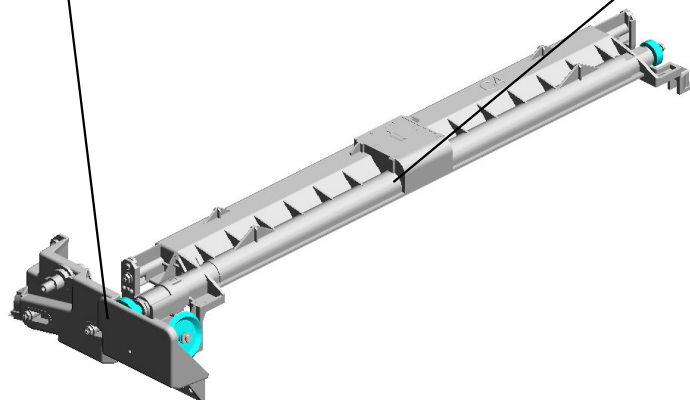
U001	U002	U003	U004	U005	U006	U007	<b>U008</b>	U009	U010	U011	U012	U013	U014	U015	U016	U017	U018
------	------	------	------	------	------	------	-------------	------	------	------	------	------	------	------	------	------	------

# U008\_S001\_S002.BELT CLEANING:INTERMEDIATE TRANSFER

U008 S001 S002 S002  
D0E36180  
TONER OUTLET UNIT:BELT  
CLEANING:ASS'Y

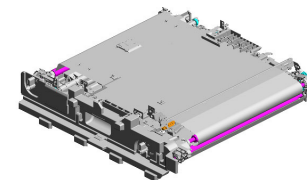


U008 S001 S002 S001  
D0E36141  
CLEANING UNIT:BELT CLEA  
NING:ASS'Y



U001	U002	U003	U004	U005	U006	U007	<b>U008</b>	U009	U010	U011	U012	U013	U014	U015	U016	U017	U018
------	------	------	------	------	------	------	-------------	------	------	------	------	------	------	------	------	------	------

# U008 ITB UNIT



- 23.D0BQ6338 BRACKET:TM SENSOR
- 10.11050758 (x5) CLAMP:LWSM-030 6A
- 48.D1496320 (x5) TERMINAL:BIAS:INTERMEDIATE TRANSFER:MAIN
- 49.D1496321 (x9) HOLDER:TERMINAL:INTERMEDIATE TRANSFER:MAIN
- 4.04583008N (x9) HEXAGON HEAD TAPPING SCREW:3 X8

- 53.GA003960 (x2) DECAL:POSITIONING DISPLAY:6.5X9



- 21.D0BQ6322 BRACKET:TM SENSOR:FRONT:PEEN



- 19.D0BQ6170 (x3) SPACER:DENSITY SENSOR:0.05MM



- 54.GW010009 (x3) DENSITY SENSOR:(S48)



- 55.GW140027 TEMPERATURE & HUMIDITY SENSOR:(S41)



- 22.D0BQ6324 BRACKET:REAR:TM SENSOR
- 15.AW020234 PHOTOINTERRUPTOR:GP1A173LCS 5F:(S5/S6/S8/S11/S13/S15/S23/S25/S32)
- 46.D1496310 BRACKET:ON-OFF:COLLAR
- 3.04543006Q (x18) TAPPING SCREW - M3X6

- 6.07200040E RETAINING RING - M4



- 20.D0BQ6311 GEAR:ON-OFF:COLLAR:OUTPUT:HS



- 45.D1496309 SHAFT:ON-OFF:COLLAR:MAIN



- 12.AA082101 (x2) BUSHING - 6X10X6



- 47.D1496312 JOINT:ON-OFF:COLLAR

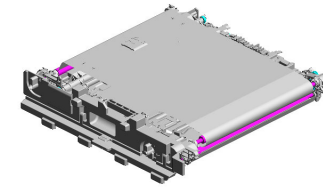


U001	U002	U003	U004	U005	U006	U007	U008	U009	U010	U011	U012	U013	U014	U015	U016	U017	U018
------	------	------	------	------	------	------	------	------	------	------	------	------	------	------	------	------	------

U008\_S001

TRANSFER UNIT:INTERMEDIATE TRANSFER:IMC2010-6010

32.D0E36172 4.04583008N  
BRACKET:BELT CL  
EANING:FRONT (x10)  
HEXAGON HEAD T  
APPING SCREW:3  
X8



26.D0E36005  
TRANSFER UNIT:I  
NTERMEDIATE TR  
ANSFER:IMC2010-  
6010

34.D1175916  
STEPPED SCREW:  
M3X8:SECOND KIN  
D

1.03603006N  
(x2)  
SCREW - M3X6

41.D1496173  
BRACKET:BELT CL  
EANING:REAR

7.08050103  
(x2)  
RETAINING RINGS  
-E:SILENCER:DIA3



52.GA003934  
(x2)  
DECAL:OPERATE:  
4X41

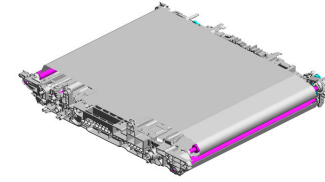
17.D0BQ6048  
LEVER ON-OFF BK

U001	U002	U003	U004	U005	U006	U007	<b>U008</b>	U009	U010	U011	U012	U013	U014	U015	U016	U017	U018
------	------	------	------	------	------	------	-------------	------	------	------	------	------	------	------	------	------	------

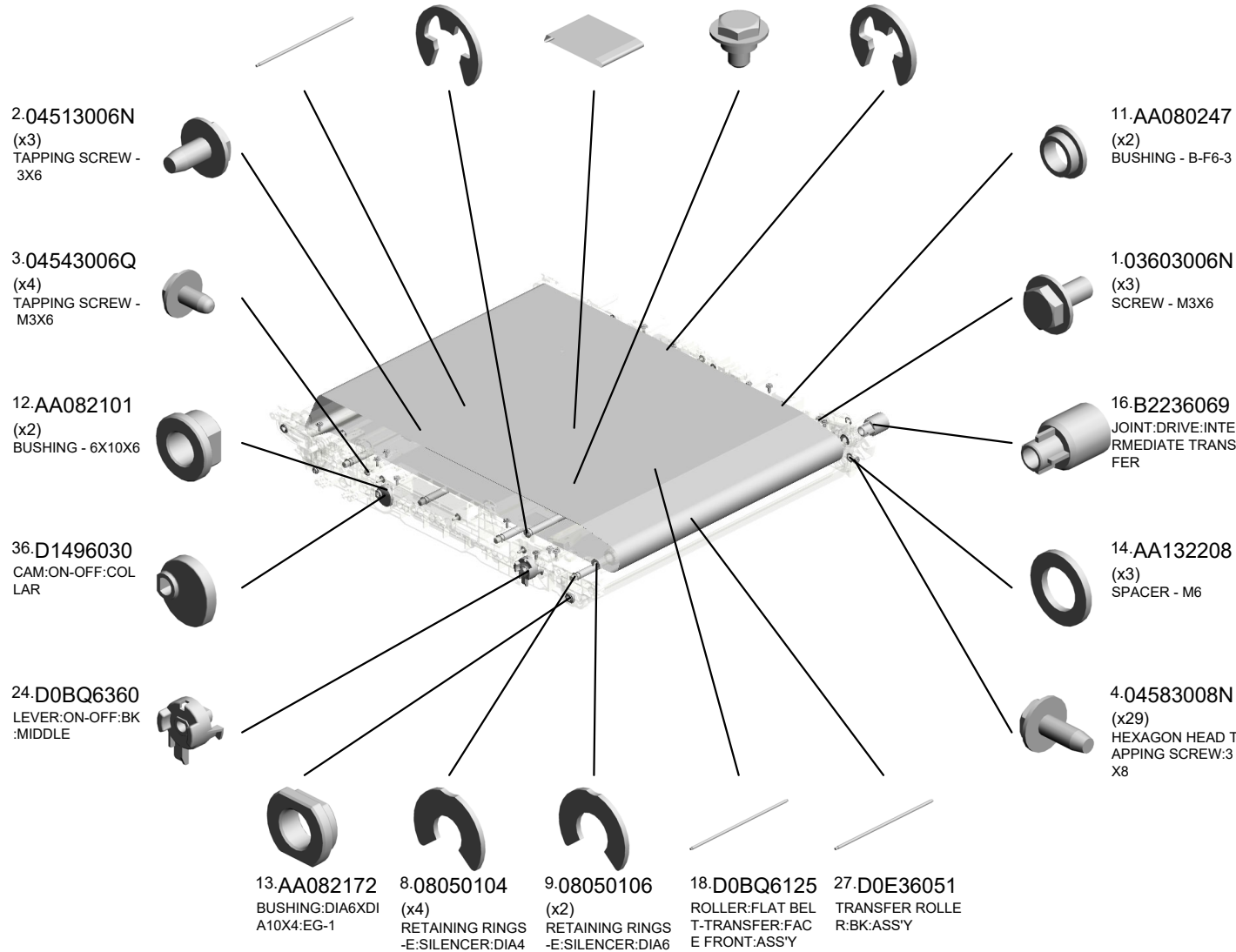
U008\_S001\_S001

TRANSFER UNIT:INTERMEDIATE TRANSFER:ASS'Y

- 28.D0E36061 (x3) TRANSFER ROLLER:FC:ASS'Y
- 6.07200040E (x12) RETAINING RING - M4
- 29.D0E36097 FLAT BELT-TRANSFER:INTERMEDIATE TRANSFER:SR
- 35.D1441085 (x2) STEPPED SCREW: M3
- 5.07200030E RETAINING RING - M3



- 25.D0E36003 TRANSFER UNIT:INTERMEDIATE TRANSFER:ASS'Y



U001	U002	U003	U004	U005	U006	U007	U008	U009	U010	U011	U012	U013	U014	U015	U016	U017	U018
------	------	------	------	------	------	------	------	------	------	------	------	------	------	------	------	------	------



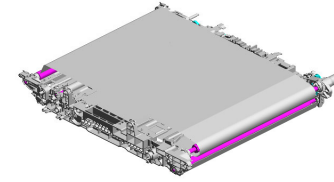
U008\_S001\_S001

TRANSFER UNIT:INTERMEDIATE TRANSFER:ASS'Y

50.D2416346  
PLAIN SHAFT BEA  
RING:ROLLER:BAC  
K UP:FRONT:PRES  
S FIT

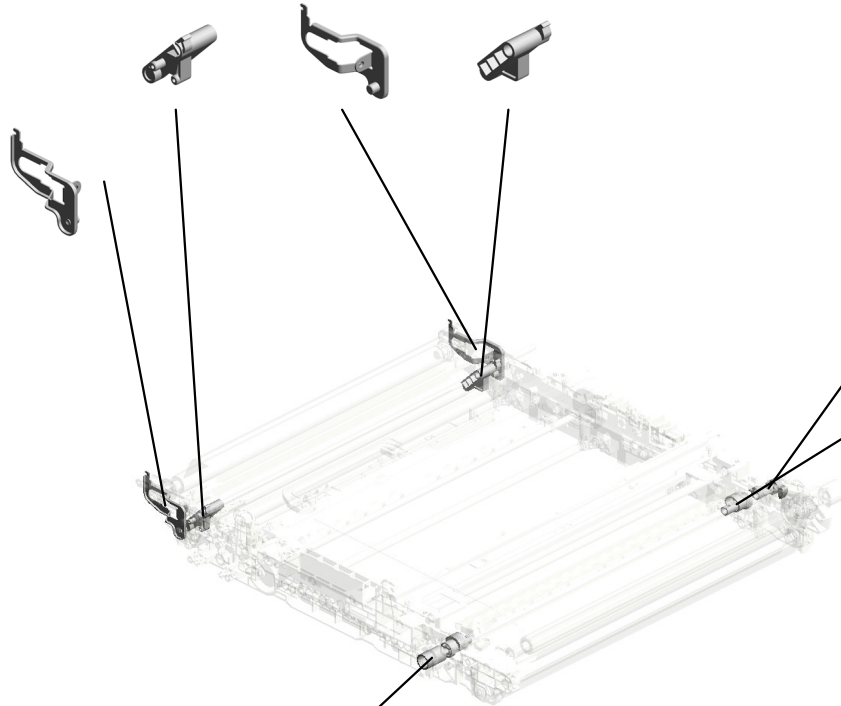
39.D1496136  
VIBRATING PLATE:  
REAR:PEEN

51.D2416347  
PLAIN SHAFT BEA  
RING:ROLLER:BAC  
K UP:REAR:PRESS  
FIT



25.D0E36003  
TRANSFER UNIT:I  
NTERMEDIATE TR  
ANSFER:ASS'Y

38.D1496133  
VIBRATING PLATE:  
FRONT:PEEN



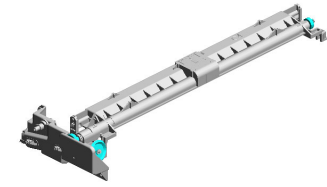
57.M0AJ6037  
STOPPER:RIGHT:I  
NTERMEDIATE TR  
ANSFER

56.M0AJ6036  
(x2)  
CAM:ON-OFF:BK

37.D1496039  
COMPRESSION SP  
RING:LEVER

U001	U002	U003	U004	U005	U006	U007	<b>U008</b>	U009	U010	U011	U012	U013	U014	U015	U016	U017	U018
------	------	------	------	------	------	------	-------------	------	------	------	------	------	------	------	------	------	------

U008\_S001\_S002  
BELT CLEANING:INTERMEDIATE TRANSFER

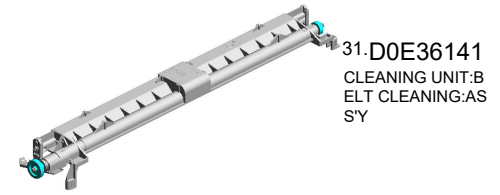


30.D0E36139  
BELT CLEANING:IN  
TERMEDIATE TRA  
NSFER

U001	U002	U003	U004	U005	U006	U007	U008	U009	U010	U011	U012	U013	U014	U015	U016	U017	U018
------	------	------	------	------	------	------	------	------	------	------	------	------	------	------	------	------	------

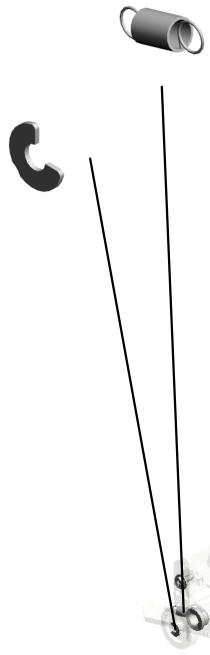
U008\_S001\_S002\_S001  
 CLEANING UNIT:BELT CLEANING:ASS'Y

40.D1496163 1.03603006N  
 TENSION SPRING: (x3)  
 SHUTTER:BELT CL SCREW - M3X6  
 EANING

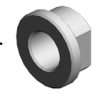


31.D0E36141  
 CLEANING UNIT:BELT  
 CLEANING:ASS'Y

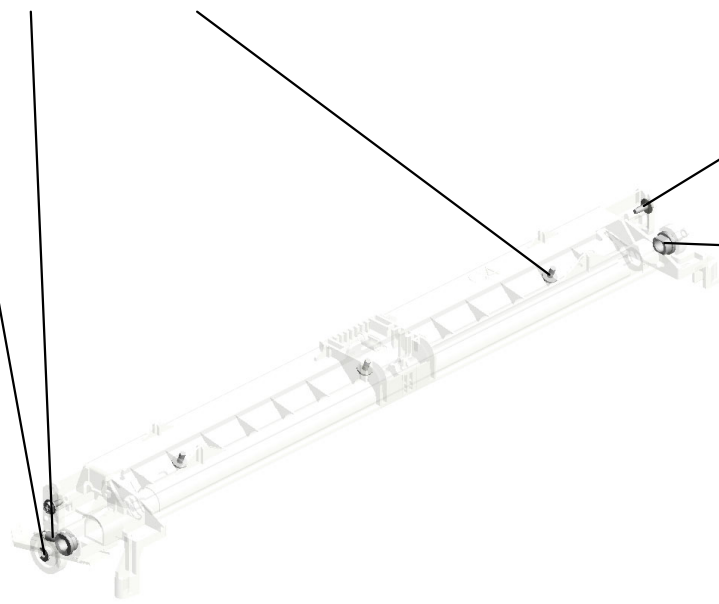
7.08050103  
 RETAINING RINGS  
 -E:SILENCER:DIA3



4.04583008N  
 (x2)  
 HEXAGON HEAD TAPPING SCREW:3X8



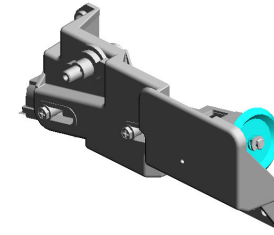
12.AA082101  
 (x2)  
 BUSHING - 6X10X6



U001	U002	U003	U004	U005	U006	U007	U008	U009	U010	U011	U012	U013	U014	U015	U016	U017	U018
------	------	------	------	------	------	------	------	------	------	------	------	------	------	------	------	------	------

U008\_S001\_S002\_S002  
 TONER OUTLET UNIT:BELT CLEANING:ASS'Y

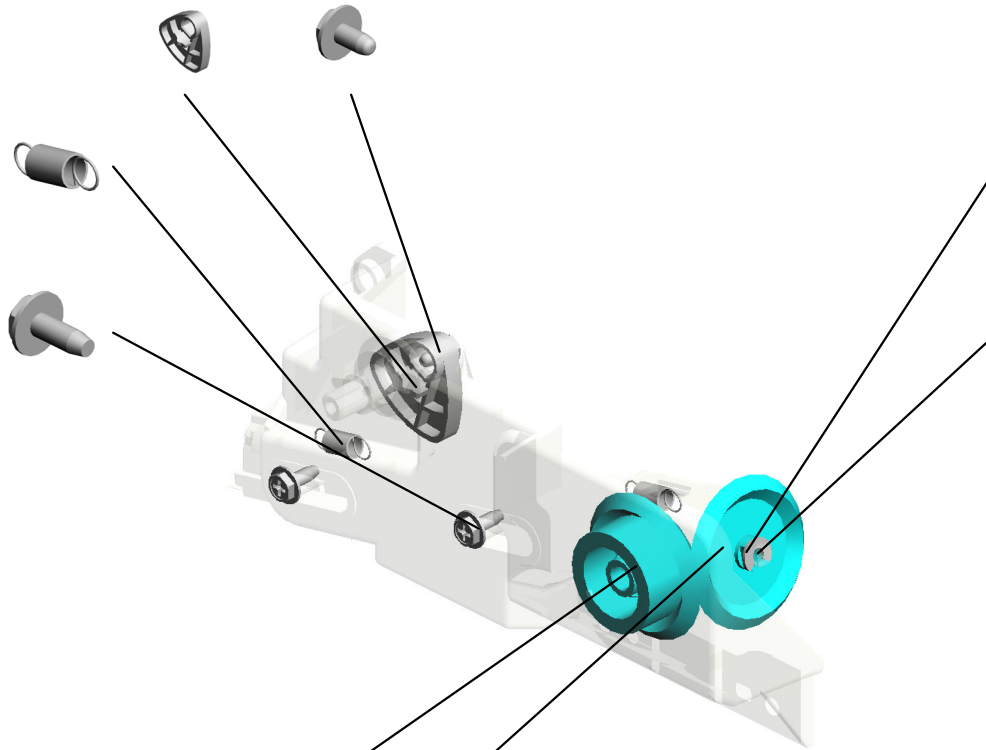
44.D1496195 3.04543006Q  
 CAM:DISCHARGE TAPPING SCREW -  
 USED TONER M3X6



33.D0E36180  
 TONER OUTLET U  
 NIT:BELT CLEANIN  
 G:ASS'Y

40.D1496163  
 (x2)  
 TENSION SPRING:  
 SHUTTER:BELT CL  
 EANING

4.04583008N  
 (x2)  
 HEXAGON HEAD T  
 APPING SCREW:3  
 X8



43.D1496190  
 GEAR:DISCHARGE  
 USED TONER

7.08050103  
 RETAINING RINGS  
 -E:SILENCER:DI3

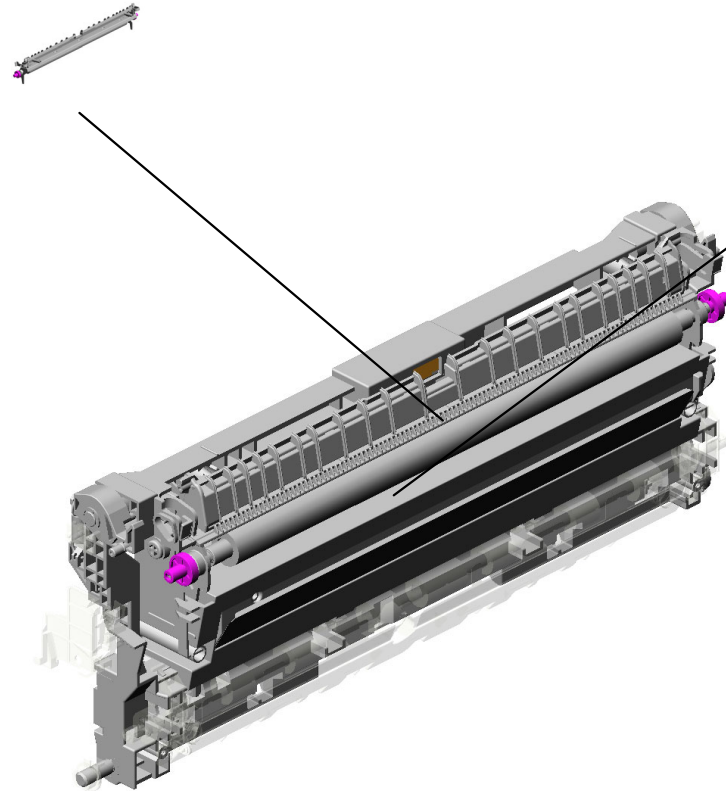
42.D1496179  
 GEAR:IDLER:DISC  
 HARGE USED TON  
 ER

12.AA082101  
 BUSHING - 6X10X6

U001	U002	U003	U004	U005	U006	U007	U008	U009	U010	U011	U012	U013	U014	U015	U016	U017	U018
------	------	------	------	------	------	------	------	------	------	------	------	------	------	------	------	------	------

# U009.TRANSFER/SEPARATION

U009 S001  
D0BQ6212  
TRANSFER ROLLER:SECON  
D:ASSY

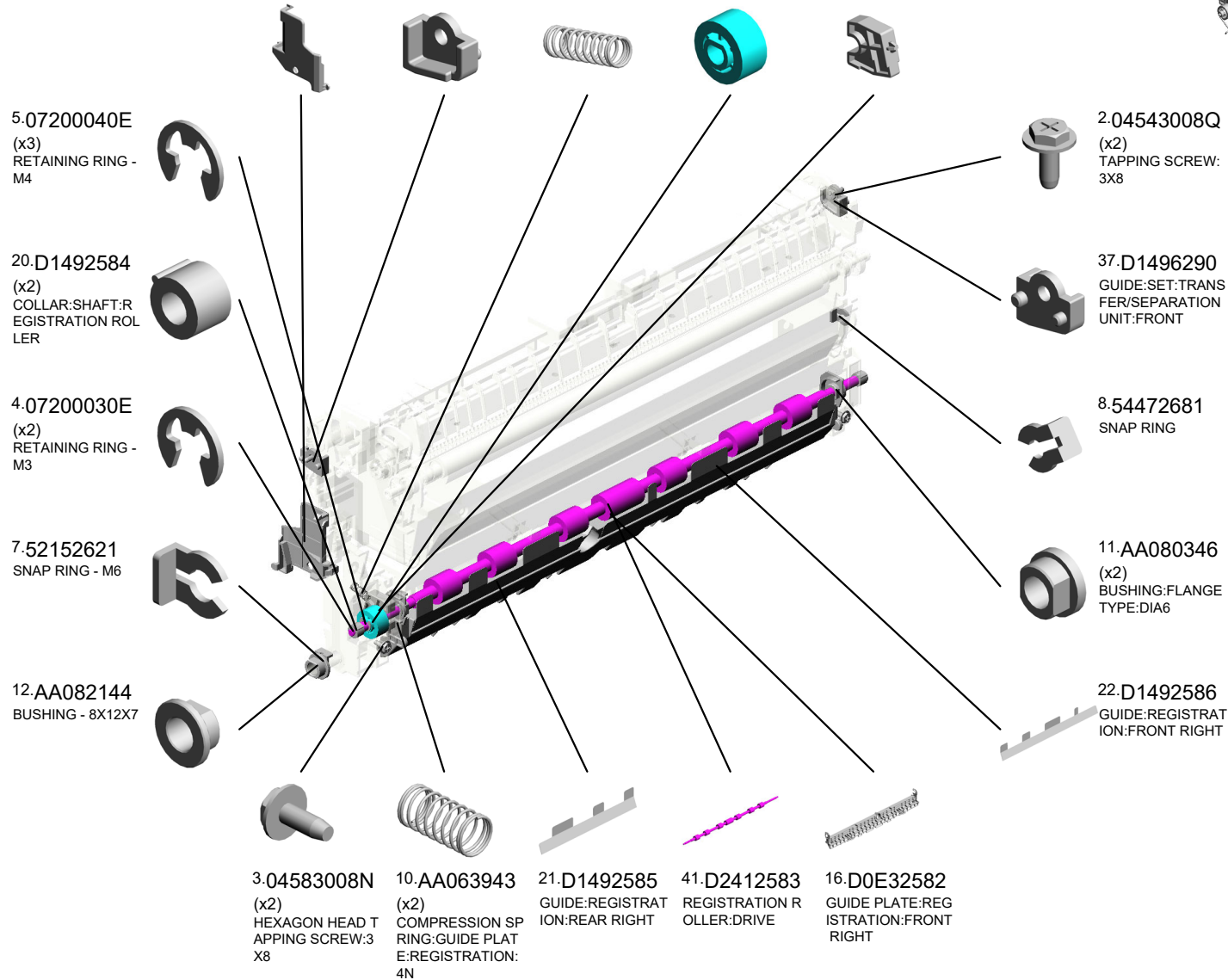
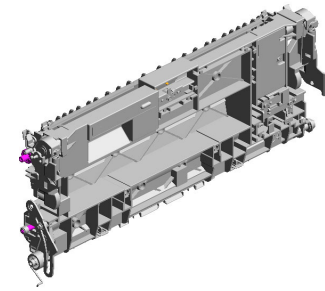


U009 S002  
D0E36215  
GUIDE PLATE:TRANSFER:S  
ECOND:ASSY

U001	U002	U003	U004	U005	U006	U007	U008	U009	U010	U011	U012	U013	U014	U015	U016	U017	U018
------	------	------	------	------	------	------	------	------	------	------	------	------	------	------	------	------	------

# U009 TRANSFER/SEPARATION

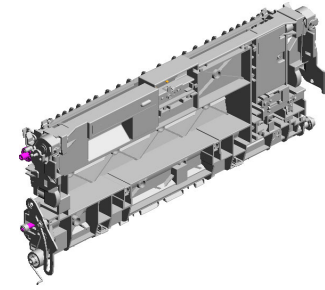
- 39.D1496295 COVER:HARNES:  
TRANSFER/SEPAR  
ATION UNIT
- 38.D1496291 GUIDE:SET:TRANS  
FER/SEPARATION  
UNIT:REAR
- 9.AA063942 COMPRESSION SP  
RING:REGISTRATI  
ON:DRIVE
- 13.AB011571 GEAR:Z19:DRIVE:R  
EGISTRATION
- 17.D0E32990 PLAIN SHAFT BEA  
RING:DRIVE:REGI  
STRATION ROLLE  
R



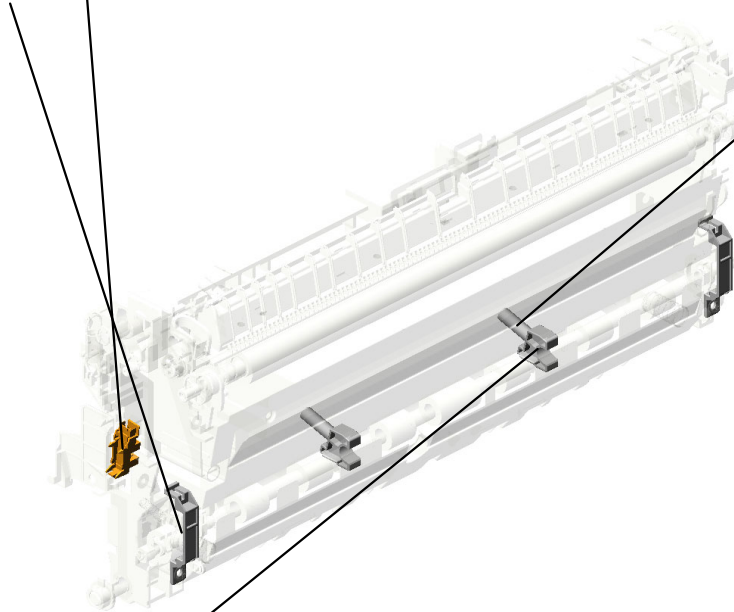
U001	U002	U003	U004	U005	U006	U007	U008	U009	U010	U011	U012	U013	U014	U015	U016	U017	U018
------	------	------	------	------	------	------	------	------	------	------	------	------	------	------	------	------	------

# U009 TRANSFER/SEPARATION

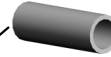
53.GW020026  
PHOTOINTERRUP  
TOR:LG2A24RL1G:  
(S2/S34/S42)



43.D2412993  
(x2)  
STOPPER:REGIST  
RATION ROLLER



44.D2412994  
(x2)  
COMPRESSION SP  
RING:REGISTRATI  
ON:INNER:DRIVE

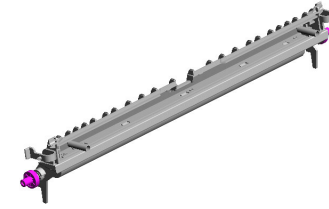


42.D2412991  
(x2)  
PLAIN SHAFT BEA  
RING:INNER:DRIV  
E:REGISTRATION  
ROLLER

U001	U002	U003	U004	U005	U006	U007	U008	U009	U010	U011	U012	U013	U014	U015	U016	U017	U018
------	------	------	------	------	------	------	------	------	------	------	------	------	------	------	------	------	------

U009\_S001  
TRANSFER ROLLER:SECOND:ASS'Y

5-07200040E  
RETAINING RING -  
M4



15.D0BQ6212  
TRANSFER ROLLE  
R:SECOND:ASSY

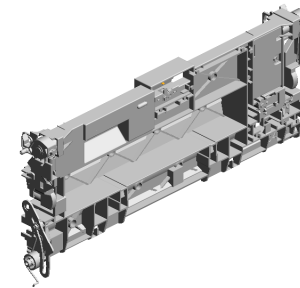


U001	U002	U003	U004	U005	U006	U007	U008	U009	U010	U011	U012	U013	U014	U015	U016	U017	U018
------	------	------	------	------	------	------	------	------	------	------	------	------	------	------	------	------	------



GUIDE PLATE:TRANSFER:SECOND:ASS'Y

- 35.D1496254 DECAL:GRIP:B:LOWER
- 40.D2026255 DECAL:GRIP:B
- 34.D1496248 CAP:LED
- 23.D1494662 DIFFUSION PLATE:LED
- 14.AW010147 PHOTO REFLECTI ON SENSOR:(S1/S27)



18.D0E36215  
GUIDE PLATE:TRANSFER:SECOND:ASS'Y

24.D1496226  
LEVER:TRANSFER /SEPARATION UNIT:FRONT



6.07200060E  
(x2)  
RETAINING RING - M6



26.D1496228  
TORSION SPRING: LEVER:SET:FRONT



27.D1496229  
(x2)  
TENSION SPRING: LEVER:SET



25.D1496227  
LEVER:SET:FRONT



28.D1496231  
LEVER:TRANSFER /SEPARATION UNIT:REAR



30.D1496233  
TORSION SPRING: LEVER:SET:REAR



29.D1496232  
LEVER:SET:REAR



3.04583008N  
(x6)  
HEXAGON HEAD TAPPING SCREW:3 X8



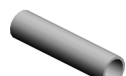
19.D0E36244  
GROUND PLATE:SEPARATION



1.04513006N  
TAPPING SCREW - 3X6



31.D1496242  
(x2)  
COMPRESSION SPRING:PRESSURE:TRANSFER ROLLER



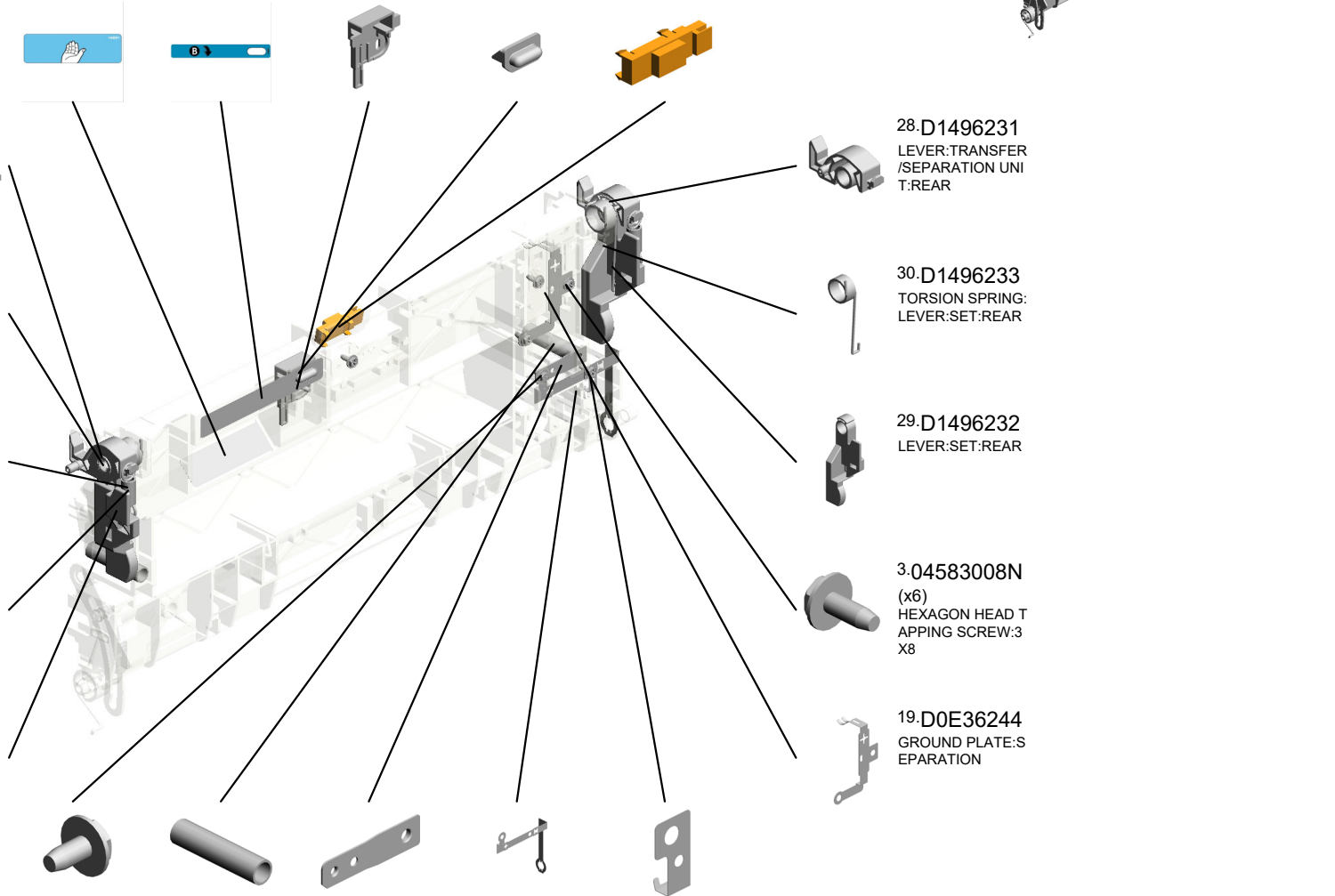
32.D1496243  
RECEIVE PLATE:COMPRESSION SPRING:TRANSFER ROLLER



33.D1496245  
GROUND PLATE:TRANSFER/SEPARATION UNIT



36.D1496257  
GROUND PLATE:REGISTRATION ROLLER

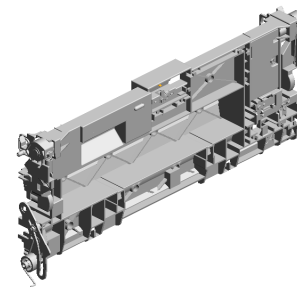


GUIDE PLATE:TRANSFER:SECOND:ASS'Y

45.D2416240 LEVER:PRESSURE  
:TRANSFER ROLL  
ER:FRONT:DIA19.5

51.D2416290 LED:RED

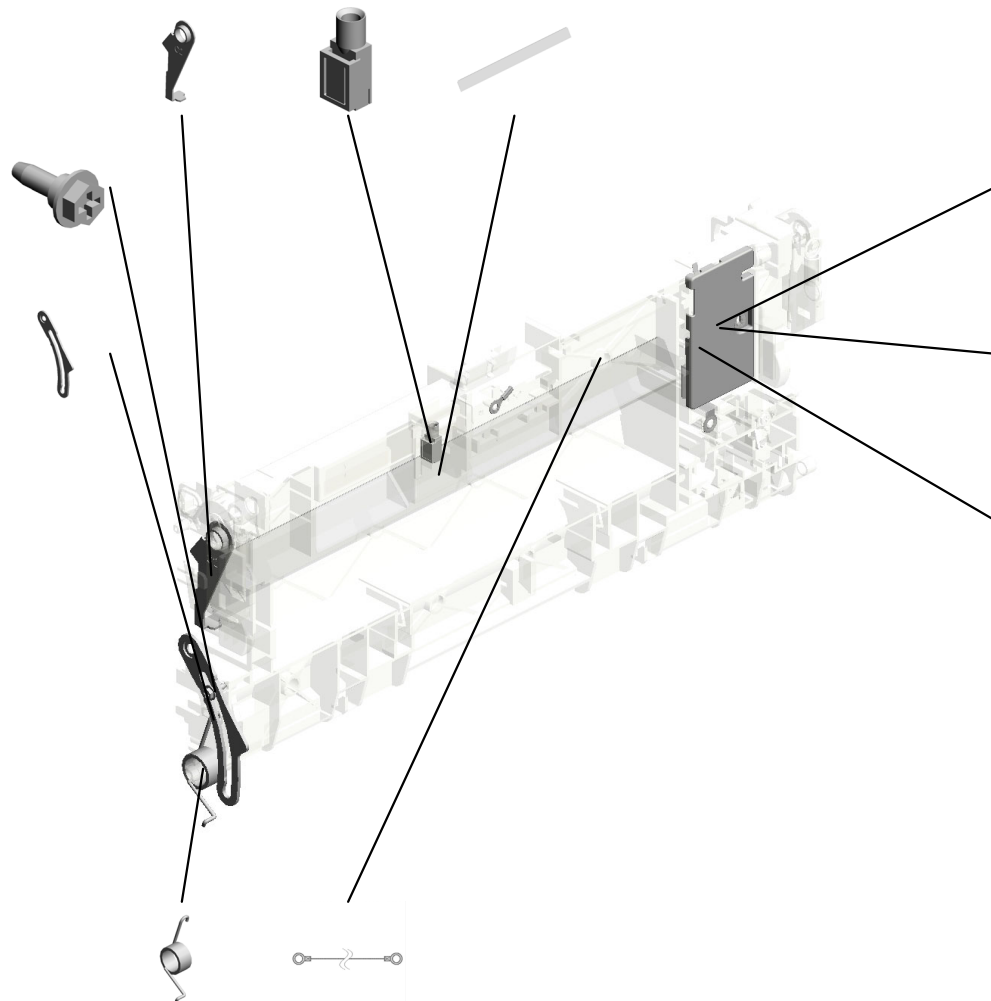
50.D2416275 SHEET:ENTRANCE  
:TRANSFER



18.D0E36215  
GUIDE PLATE:TRA  
NSFER:SECOND:A  
SS'Y

52.GA143003  
SCREW:MM5:2.5M

55.M0BW6246  
LINK:TRANSFER/S  
EPARATION UNIT:  
MO



46.D2416241  
LEVER:PRESSURE  
:TRANSFER ROLL  
ER:REAR:DIA19.5

49.D2416258  
COVER:TRANSFE  
R/SEPARATION UN  
IT

48.D2416256  
GROUND PLATE:G  
UIDE:TRANSPORT

54.M0BW6228 TORSION SPRING:  
SEPARATION/TRA  
NSPORT:28N

47.D2416250 GROUND WIRE:BR  
ACKET:ENTRANCE  
SENSOR

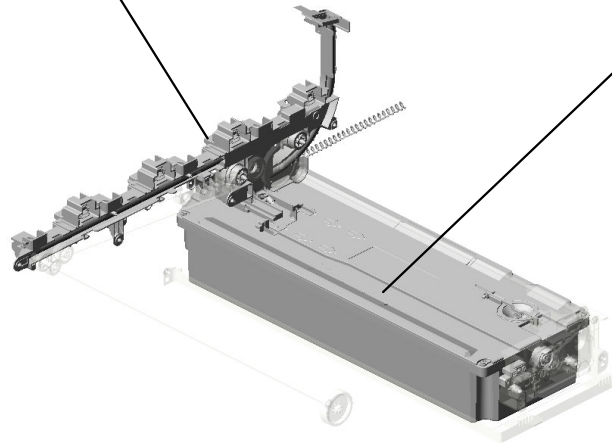
U001	U002	U003	U004	U005	U006	U007	U008	U009	U010	U011	U012	U013	U014	U015	U016	U017	U018
------	------	------	------	------	------	------	------	------	------	------	------	------	------	------	------	------	------

# U010.USED TONER

U010 S002  
D0BQ6511  
PIPE:ASS'Y



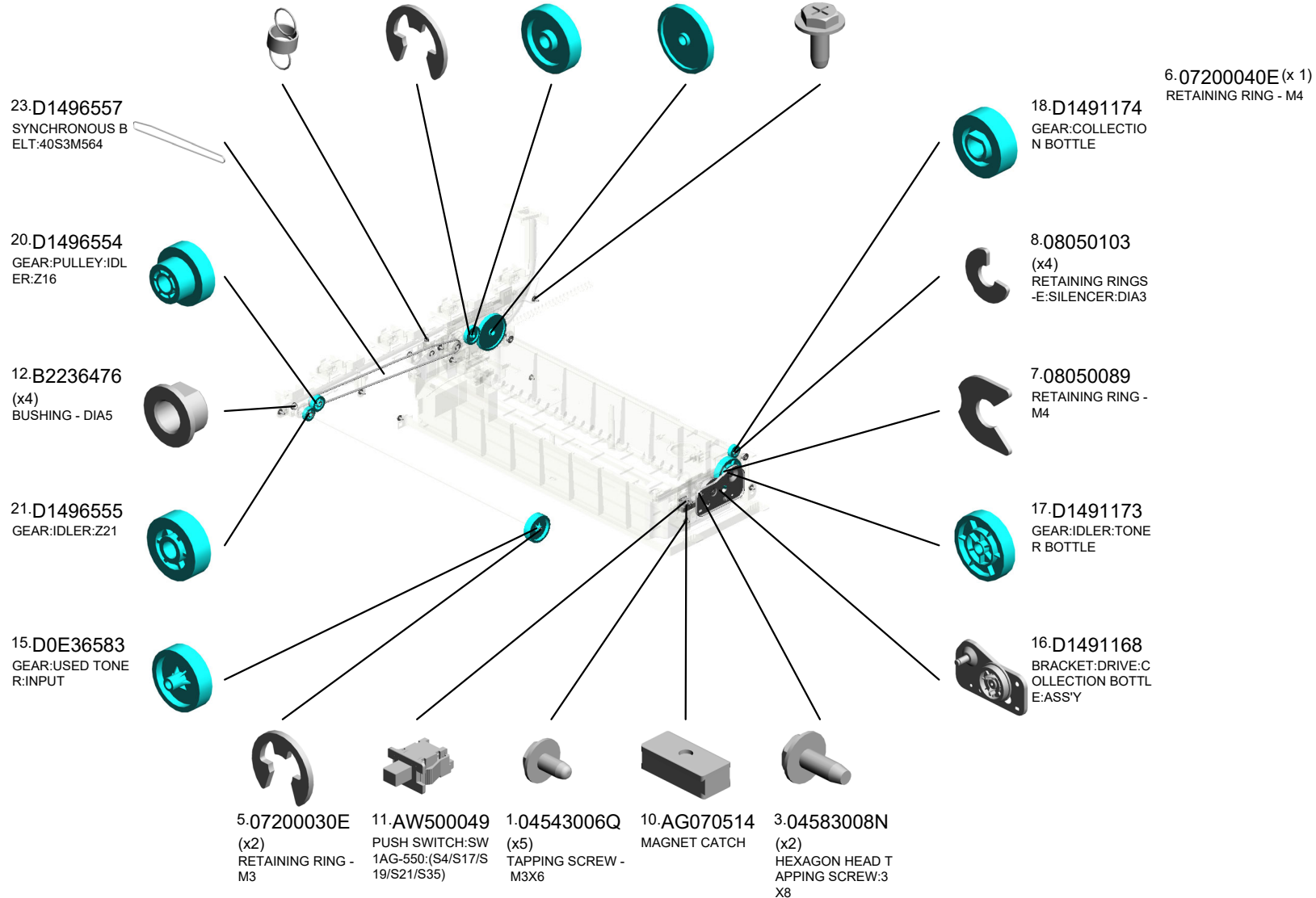
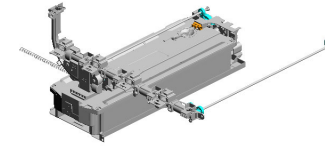
U010 S001  
D0BQ6400  
COLLECTION BOTTLE:ASS'Y



U001	U002	U003	U004	U005	U006	U007	U008	U009	U010	U011	U012	U013	U014	U015	U016	U017	U018
------	------	------	------	------	------	------	------	------	------	------	------	------	------	------	------	------	------

# U010 USED TONER

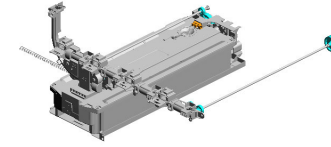
22.D1496556 TENSION SPRING:  
BELT TENSIONER  
6.07200040E (x7)  
RETAINING RING -  
M4  
19.D1496552 GEAR:IDLER:Z30  
24.D1496558 GEAR:IDLER:Z61  
2.04543008Q (x4)  
TAPPING SCREW:  
3X8



U001	U002	U003	U004	U005	U006	U007	U008	U009	<b>U010</b>	U011	U012	U013	U014	U015	U016	U017	U018
------	------	------	------	------	------	------	------	------	-------------	------	------	------	------	------	------	------	------

# U010 USED TONER

25.D1496561 PULLEY:USED TONER  
 27.D1496571 BRACKET:PULLEY:IDLER:USED TONER  
 28.D1496574 GEAR:PULLEY:IDLER:Z18  
 29.D1496575 FLANGE:IDLER:USED TONER



26.D1496562 BRACKET:TIGHTENER:USED TONER



31.D1496582 GEAR:USED TONER:RIGHT

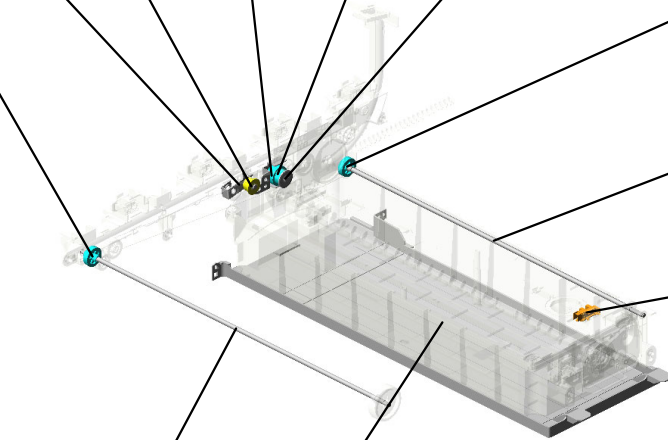


33.D1496587 GEAR:USED TONER:LEFT

32.D1496586 SHAFT:DRIVE:USED TONER:LEFT



36.GW020026 PHOTOINTERRUPTOR:LG2A24RL1G:(S2/S34/S42)



30.D1496581 SHAFT:DRIVE:USED TONER:RIGHT

34.D1496592 RAIL:COLLECTION BOTTLE



U001	U002	U003	U004	U005	U006	U007	U008	U009	U010	U011	U012	U013	U014	U015	U016	U017	U018
------	------	------	------	------	------	------	------	------	------	------	------	------	------	------	------	------	------

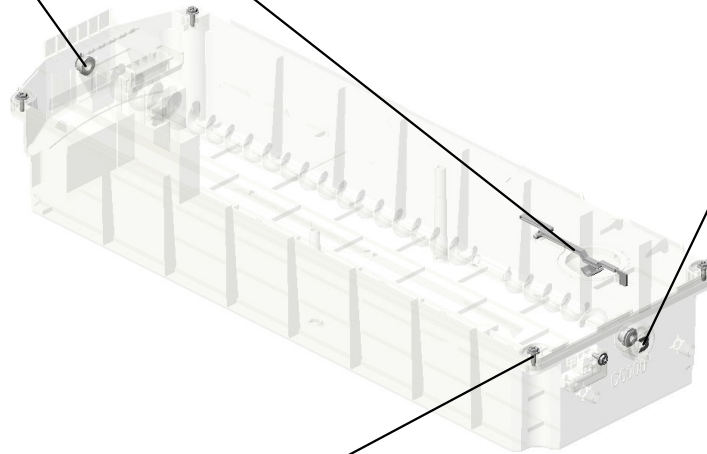
U010\_S001  
COLLECTION BOTTLE:ASS'Y

35.D2426432  
FEELER:COLLECTI  
ON BOTTLE



13.D0BQ6400  
COLLECTION BOT  
TLE:ASS'Y

9.AA080346  
(x2)  
BUSHING:FLANGE  
TYPE:DIA6



7.08050089  
(x3)  
RETAINING RING -  
M4



4.04583010N  
(x5)  
HEXAGON HEAD T  
APPING SCREW:3  
X10



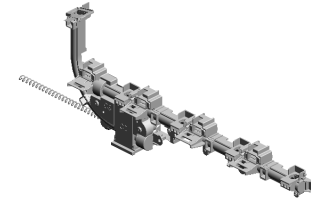
U001	U002	U003	U004	U005	U006	U007	U008	U009	U010	U011	U012	U013	U014	U015	U016	U017	U018
------	------	------	------	------	------	------	------	------	------	------	------	------	------	------	------	------	------

U010\_S002  
PIPE:ASS'Y

4.04583010N  
(x4)  
HEXAGON HEAD TAPPING SCREW:3  
X10



6.07200040E  
(x4)  
RETAINING RING -  
M4

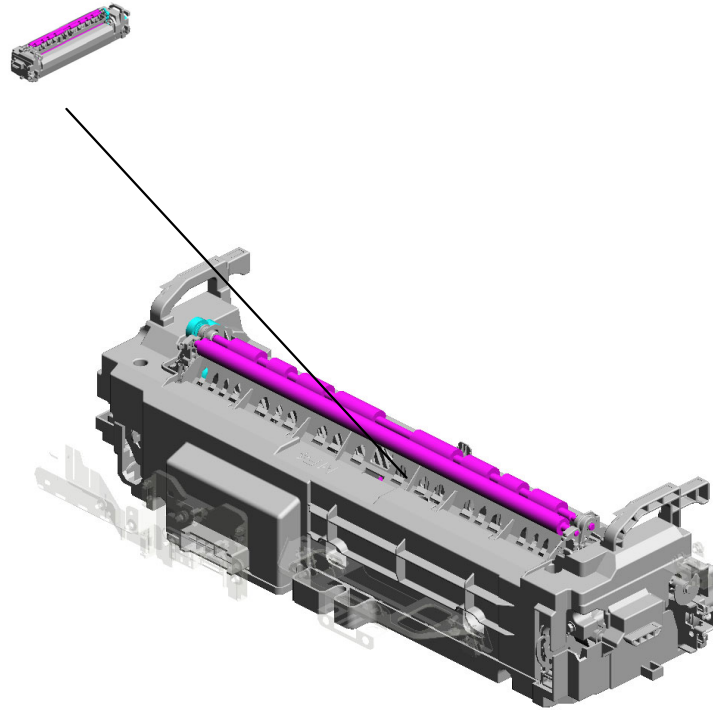


14.D0BQ6511  
PIPE:ASS'Y

U001	U002	U003	U004	U005	U006	U007	U008	U009	U010	U011	U012	U013	U014	U015	U016	U017	U018
------	------	------	------	------	------	------	------	------	------	------	------	------	------	------	------	------	------

# U011.FUSING

U011 S001  
D0E14022  
(EU/AA/IND/CHN/KOR):FUSIN  
G UNIT:220-240V:IMC3010-35  
10

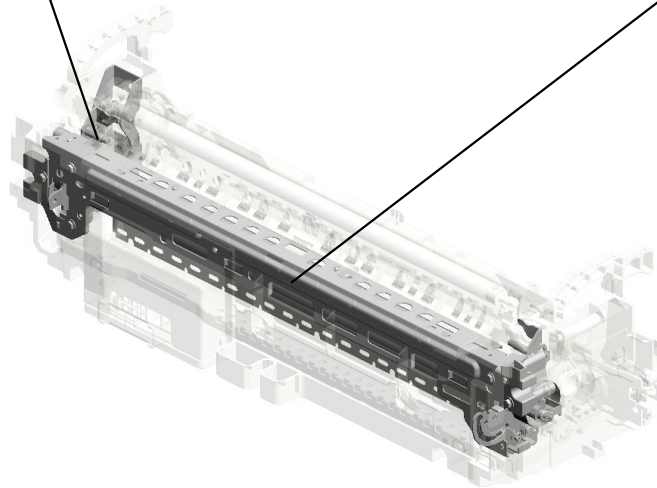


U001	U002	U003	U004	U005	U006	U007	U008	U009	U010	U011	U012	U013	U014	U015	U016	U017	U018
------	------	------	------	------	------	------	------	------	------	------	------	------	------	------	------	------	------



# U011\_S001.(EU/AA/IND/CHN/KOR):FUSING UNIT:220-240V:IMC3010-3510

U011 S001 S001  
D2414160  
LEVER:PRESSURE:REAR:PE  
EN



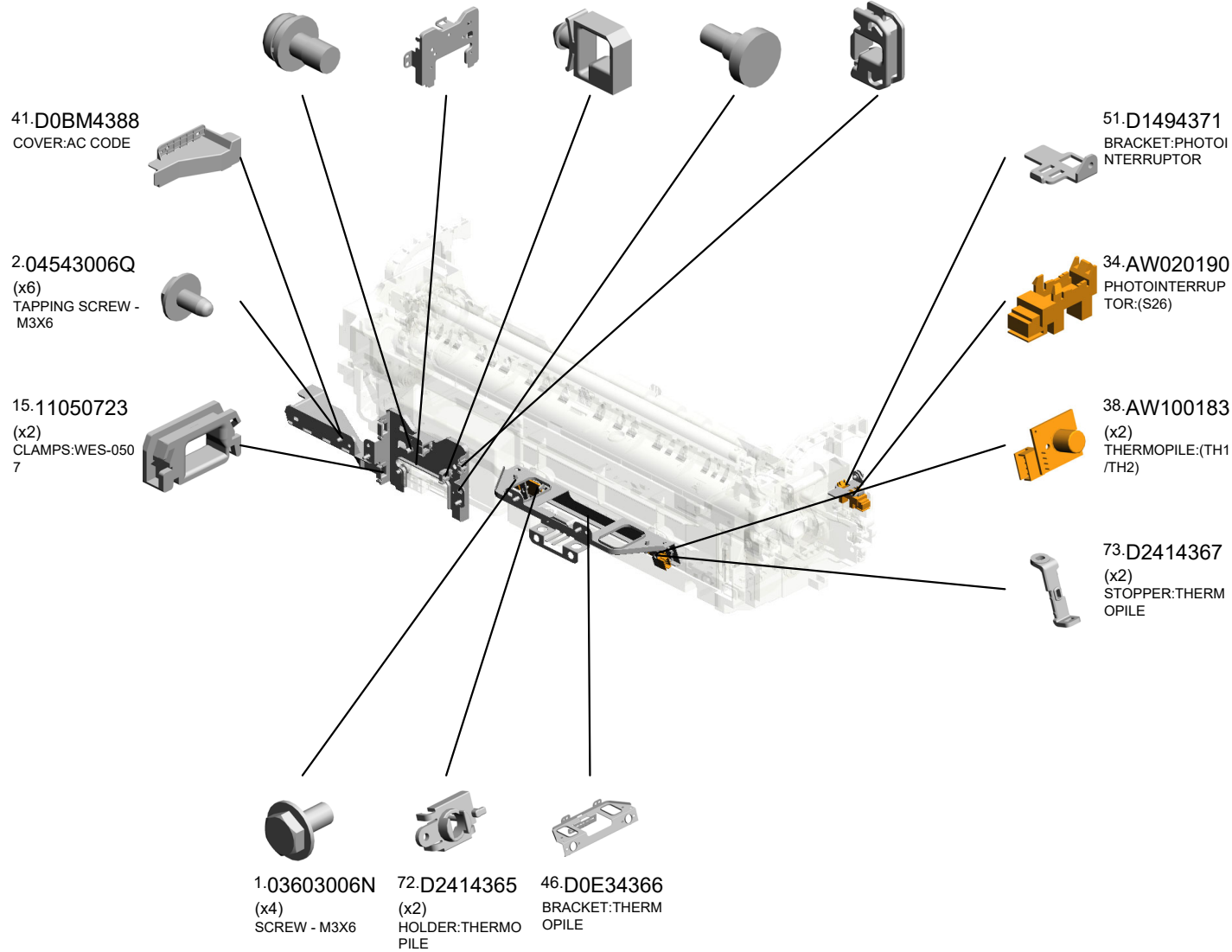
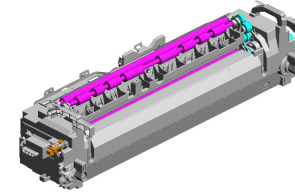
U011 S001 S002  
D0E14052  
(EU/AA/IND/CHN/KOR):SLEE  
VE:FUSING:220-240V:IMC301  
0-3510



U001	U002	U003	U004	U005	U006	U007	U008	U009	U010	U011	U012	U013	U014	U015	U016	U017	U018
------	------	------	------	------	------	------	------	------	------	------	------	------	------	------	------	------	------

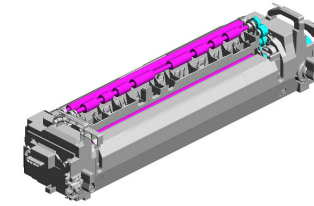
# U011 FUSING

12.09574008N SCREW:SMALL ROUND/SPRING:M4X8  
 71.D2414354 BRACKET:DRAWER:MAIN  
 16.11050759 (x2) CLAMP:LWSM-0605A  
 23.AA143219 (x2) STEPPED SCREW  
 13.11050692 CLAMP:LES-0503



U001	U002	U003	U004	U005	U006	U007	U008	U009	U010	U011	U012	U013	U014	U015	U016	U017	U018
------	------	------	------	------	------	------	------	------	------	------	------	------	------	------	------	------	------

U011\_S001  
 (EU/AA/IND/CHN/KOR):FUSING UNIT:220-240V:IMC3010-3510



44.D0E14022  
 (EU/AA/IND/CHN/KOR):FUSING UNIT:  
 220-240V:IMC3010-  
 3510

- 19.AA063732 (x2) COMPRESSION SPRING:PRESSURE ROLLER
- 22.AA100016 (x2) RETAINING RINGS -C:DIA3
- 5.07200030E (x2) RETAINING RING - M3
- 21.AA080388 PLAIN SHAFT BEARING:EXIT ROLLER:FUSING EXIT:RIGHT:REAR
- 25.AB012107 GEAR:IDLER:EXIT:FUSING EXIT:1

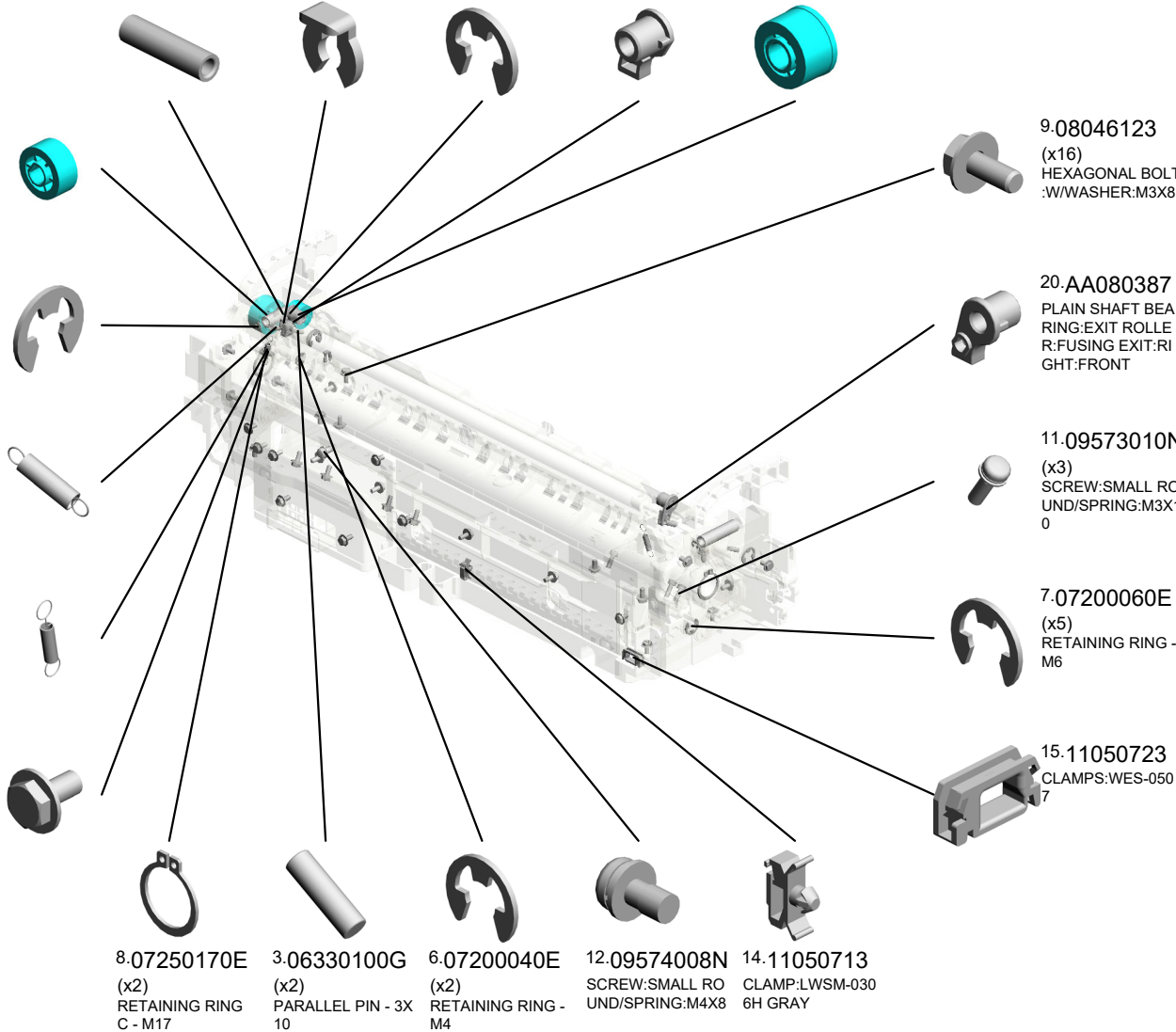
24.AB012099  
 GEAR:ON-OFF:PRESSURE ROLLER

4.07200025E  
 (x2)  
 RETAINING RING - M2.5

18.AA061211  
 (x2)  
 TENSION SPRING: HOLDER:FUSING EXIT

17.AA061208  
 (x2)  
 TENSION SPRING: STRIPPER PLATE

1.03603006N  
 (x17)  
 SCREW - M3X6



9.08046123  
 (x16)  
 HEXAGONAL BOLT :WASHER:M3X8

20.AA080387  
 PLAIN SHAFT BEARING:EXIT ROLLER:FUSING EXIT:RIGHT:FRONT

11.09573010N  
 (x3)  
 SCREW:SMALL ROUND:SPRING:M3X10

7.07200060E  
 (x5)  
 RETAINING RING - M6

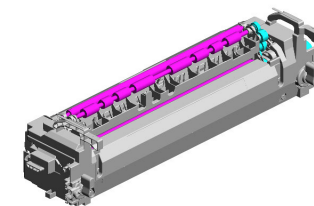
15.11050723  
 CLAMPS:WES-0507

- 8.07250170E (x2) RETAINING RING - C - M17
- 3.06330100G (x2) PARALLEL PIN - 3X10
- 6.07200040E (x2) RETAINING RING - M4
- 12.09574008N SCREW:SMALL ROUND:SPRING:M4X8
- 14.11050713 CLAMP:LWSM-030 6H GRAY

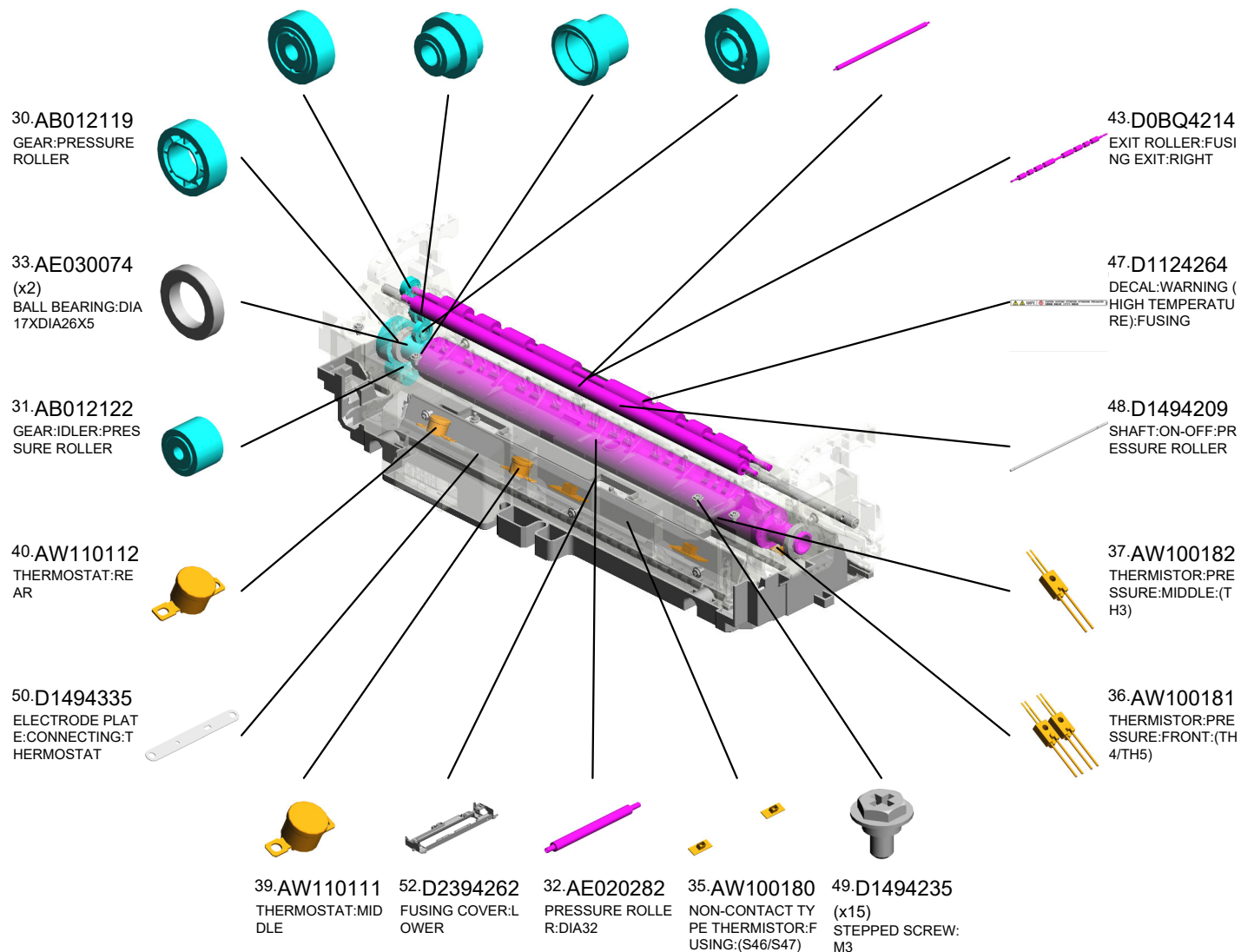
U001	U002	U003	U004	U005	U006	U007	U008	U009	U010	U011	U012	U013	U014	U015	U016	U017	U018
------	------	------	------	------	------	------	------	------	------	------	------	------	------	------	------	------	------

U011\_S001  
 (EU/AA/IND/CHN/KOR):FUSING UNIT:220-240V:IMC3010-3510

- 28.AB012110 GEAR:EXIT ROLLER:FUSING EXIT:RIGHT
- 26.AB012108 GEAR:IDLER:EXIT:FUSING EXIT:2
- 29.AB012111 GEAR:PRESSURE ROLLER:EXIT
- 27.AB012109 GEAR:IDLER:EXIT:FUSING EXIT:3
- 42.D0BQ4102 DRIVEN ROLLER:FUSING EXIT:ASS'Y



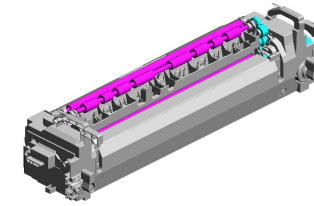
44.D0E14022  
 (EU/AA/IND/CHN/KOR):FUSING UNIT:220-240V:IMC3010-3510



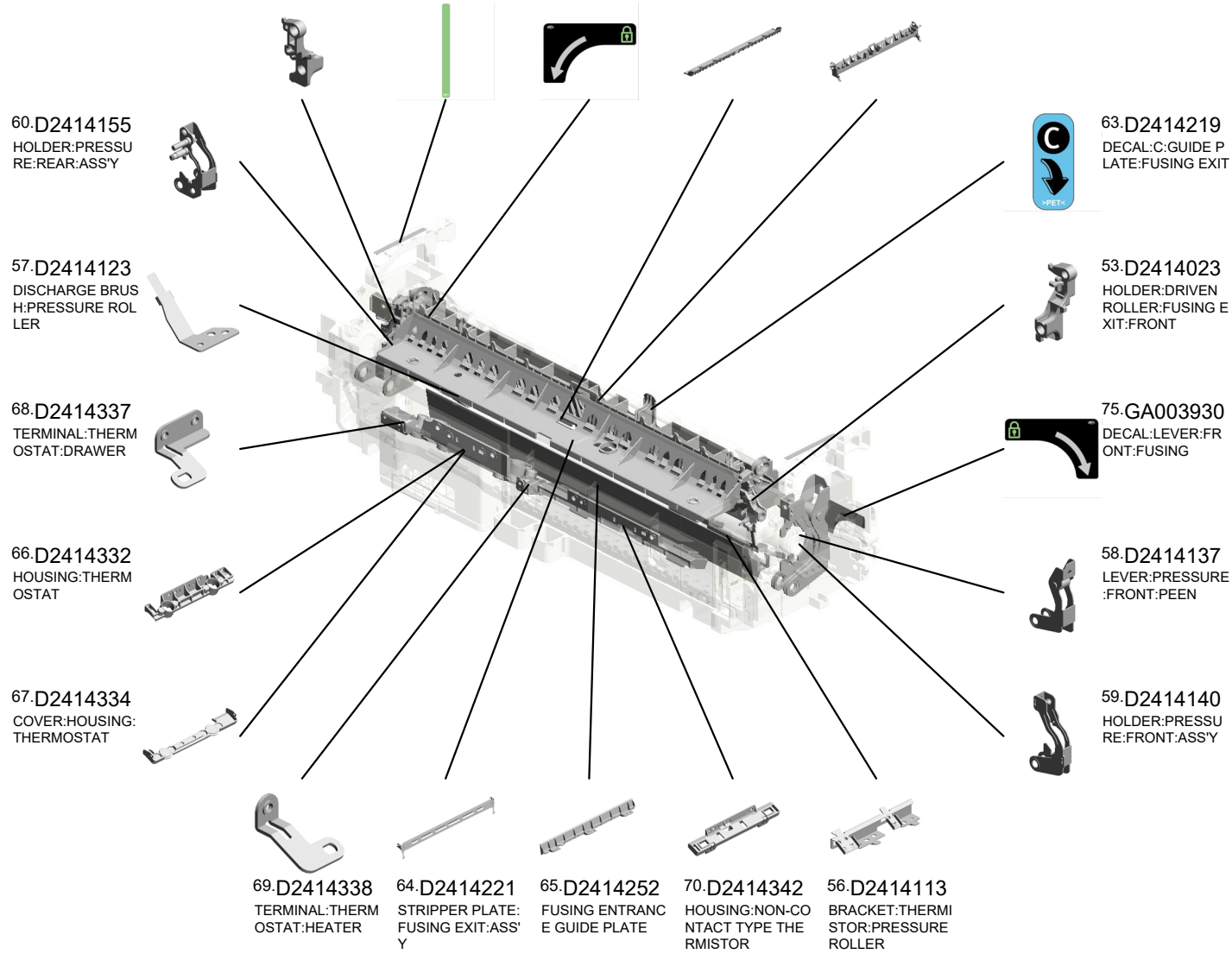
U001	U002	U003	U004	U005	U006	U007	U008	U009	U010	U011	U012	U013	U014	U015	U016	U017	U018
------	------	------	------	------	------	------	------	------	------	------	------	------	------	------	------	------	------

U011\_S001  
 (EU/AA/IND/CHN/KOR):FUSING UNIT:220-240V:IMC3010-3510

- 54.D2414024 HOLDER:DRIVEN ROLLER:FUSING EXIT:REAR
- 74.GA003929 (x2) DECAL:OPERATE:4X27
- 76.GA003931 DECAL:LEVER:REAR:FUSING
- 55.D2414108 GUIDE:FUSING EXIT:LEFT
- 62.D2414215 GUIDE:FUSING EXIT:RIGHT:ASSY



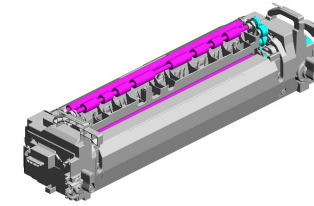
44.D0E14022  
 (EU/AA/IND/CHN/KOR):FUSING UNIT:220-240V:IMC3010-3510



U001	U002	U003	U004	U005	U006	U007	U008	U009	U010	U011	U012	U013	U014	U015	U016	U017	U018
------	------	------	------	------	------	------	------	------	------	------	------	------	------	------	------	------	------

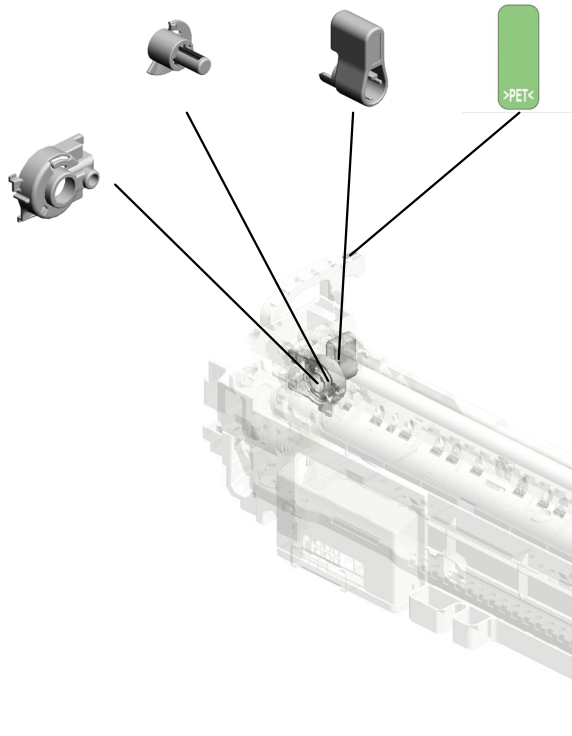
U011\_S001  
 (EU/AA/IND/CHN/KOR):FUSING UNIT:220-240V:IMC3010-3510

80.M0AJ4272 HOOK:FUSING:REAR  
 81.M0AJ4273 (x2) LEVER:FUSING  
 78.GA003933 (x4) DECAL:OPERATE:4X10.5



44.D0E14022  
 (EU/AA/IND/CHN/KOR):FUSING UNIT:220-240V:IMC3010-3510

79.M0AJ4271  
 COVER:LEVER:FUSING:REAR



83.M0AJ4279  
 HOOK:FUSING:FRONT

82.M0AJ4278  
 COVER:LEVER:FUSING:FRONT

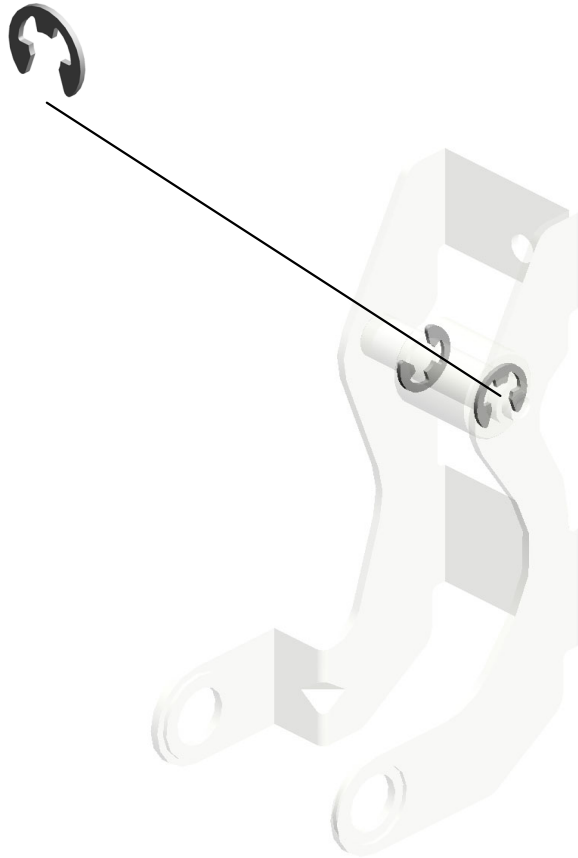


77.GA003932  
 (x2)  
 DECAL:LEVER:RELEASE

U001	U002	U003	U004	U005	U006	U007	U008	U009	U010	U011	U012	U013	U014	U015	U016	U017	U018
------	------	------	------	------	------	------	------	------	------	------	------	------	------	------	------	------	------

U011\_S001\_S001  
LEVER:PRESSURE:REAR:PEEN

6.07200040E  
(x2)  
RETAINING RING -  
M4

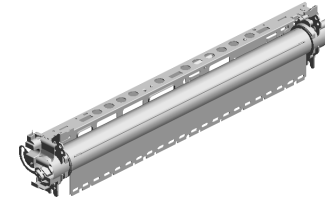


61.D2414160  
LEVER:PRESSURE  
:REAR:PEEN

U001	U002	U003	U004	U005	U006	U007	U008	U009	U010	U011	U012	U013	U014	U015	U016	U017	U018
------	------	------	------	------	------	------	------	------	------	------	------	------	------	------	------	------	------

U011\_S001\_S002  
(EU/AA/IND/CHN/KOR):SLEEVE:FUSING:220-240V:IMC3010-3510

1.03603006N 9.08046123  
(x6) (x2)  
SCREW - M3X6 HEXAGONAL BOLT  
:WASHER:M3X8



45.D0E14052  
(EU/AA/IND/CHN/K  
OR):SLEEVE:FUSI  
NG:220-240V:IMC3  
010-3510



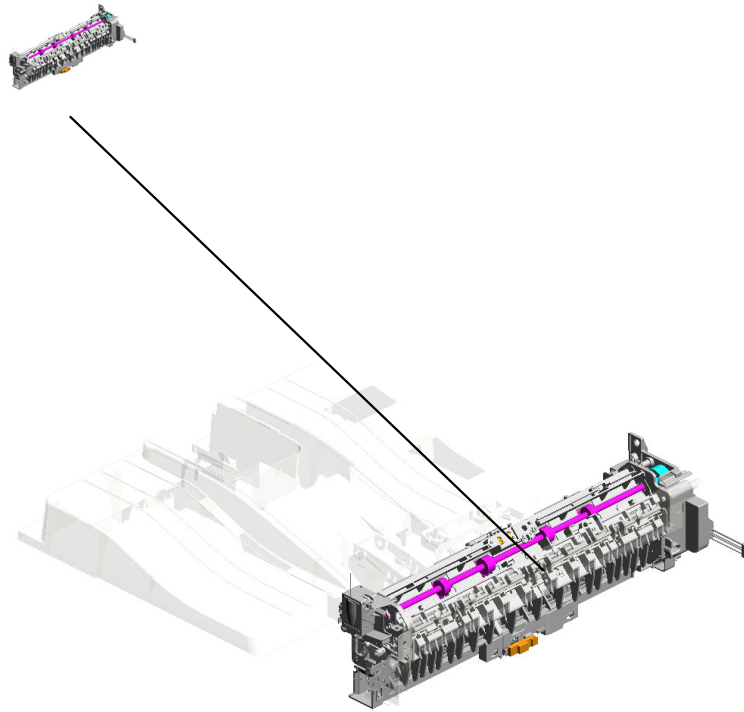
10.08046128  
(x4)  
HEXAGONAL BOLT  
:DOUBLE SCREW:  
M3X10

U001	U002	U003	U004	U005	U006	U007	U008	U009	U010	U011	U012	U013	U014	U015	U016	U017	U018
------	------	------	------	------	------	------	------	------	------	------	------	------	------	------	------	------	------



# U012.PAPER EXIT

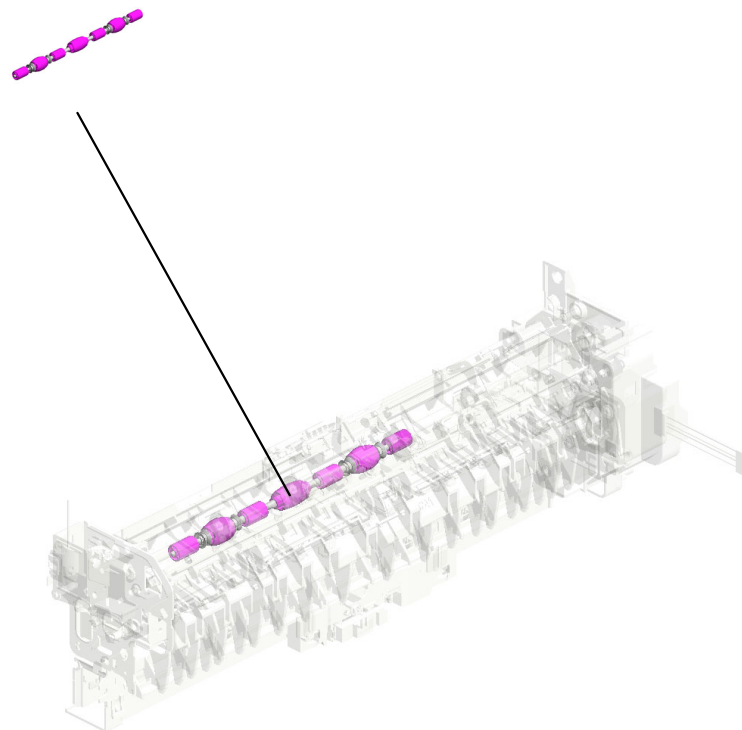
U012 S001  
D0E34404  
PAPER EXIT UNIT:ASSY



U001	U002	U003	U004	U005	U006	U007	U008	U009	U010	U011	U012	U013	U014	U015	U016	U017	U018
------	------	------	------	------	------	------	------	------	------	------	------	------	------	------	------	------	------

# U012\_S001.PAPER EXIT UNIT:ASS'Y

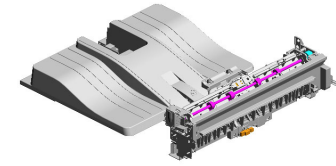
U012 S001 S001  
D2414950  
ROLLER:EXIT:PRESSURE:2T  
YPE:ASS'Y



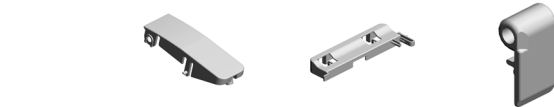
U001	U002	U003	U004	U005	U006	U007	U008	U009	U010	U011	U012	U013	U014	U015	U016	U017	U018
------	------	------	------	------	------	------	------	------	------	------	------	------	------	------	------	------	------

# U012 PAPER EXIT

27.D0E34494 32.D0E34961 65.D2414971  
 TRAY:AUXILIARY:EXIT:ZB BASE:PLATE:EXIT: (x2)  
 LINK:PLATE:EXIT



28.D0E34497  
 TRAY:EXIT



52.D2414499  
 COMPRESSION SPRING:BASE:TRAY:EXIT



66.D2414972  
 (x2)  
 GUIDE:PLATE:EXIT



30.D0E34937  
 INNER COVER:EXIT



2.04513006N  
 (x3)  
 TAPPING SCREW - 3X6

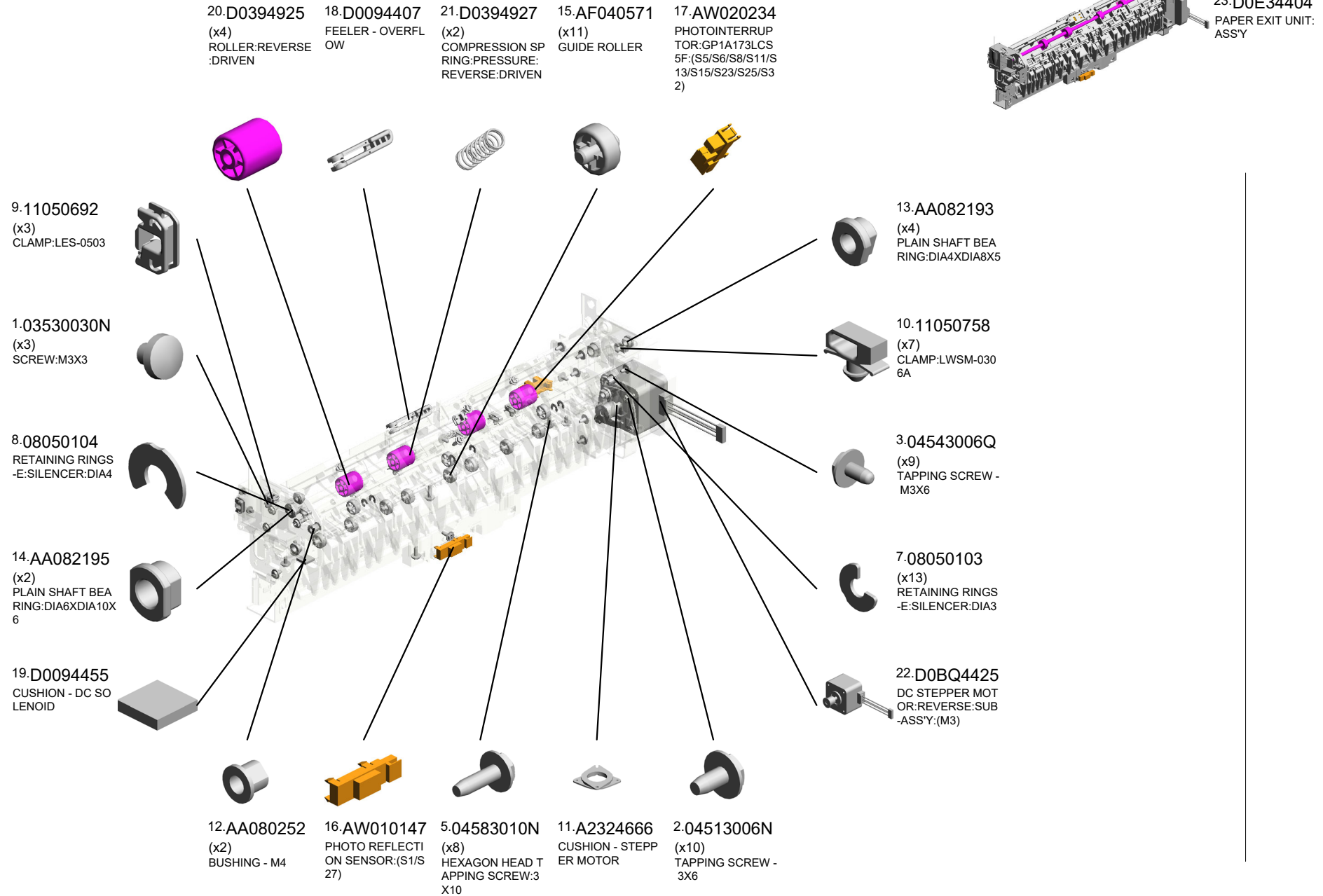


29.D0E34932 4.04583008N  
 BRACKET:POSITIONING:PAPER EXIT UNIT\_ (x3)  
 HEXAGON HEAD TAPPING SCREW:3X8



U001	U002	U003	U004	U005	U006	U007	U008	U009	U010	U011	U012	U013	U014	U015	U016	U017	U018
------	------	------	------	------	------	------	------	------	------	------	------	------	------	------	------	------	------

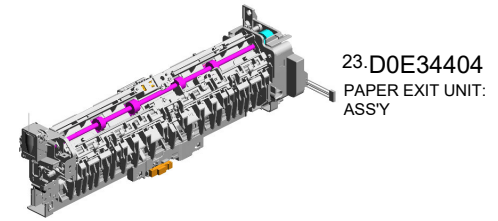
U012\_S001  
PAPER EXIT UNIT:ASS'Y



U001	U002	U003	U004	U005	U006	U007	U008	U009	U010	U011	U012	U013	U014	U015	U016	U017	U018
------	------	------	------	------	------	------	------	------	------	------	------	------	------	------	------	------	------

U012\_S001  
PAPER EXIT UNIT:ASS'Y

42.D1494468 SHAFT:DRIVEN:REVERSE ROLLER  
 26.D0E34466 GUIDE PLATE:REVERSE:LOWER  
 46.D2024477 REVERSE ROLLER  
 47.D2414448 SHAFT:FEELER:OVERFLOW  
 41.D1494463 GROUND WIRE:SENSOR:REVERSE



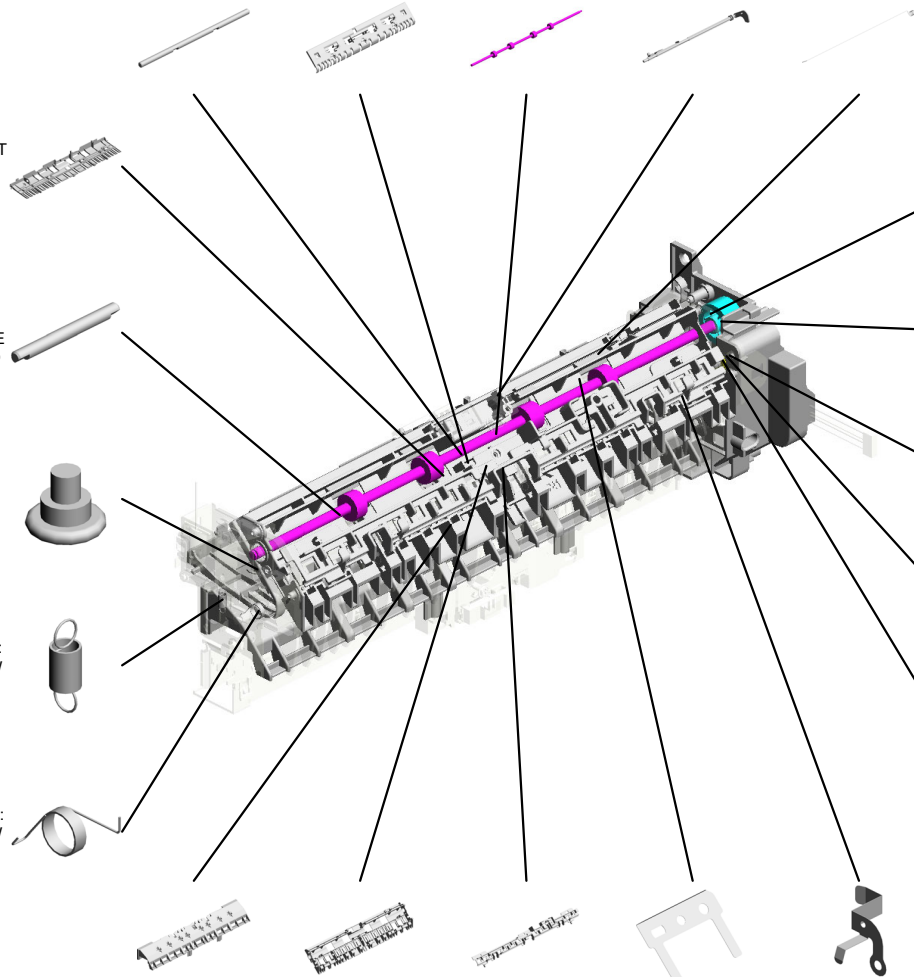
25.D0E34441  
GUIDE PLATE:EXIT:UPPER

44.D1494471  
(x2)  
SHAFT:DRIVEN:REVERSE ROLLER:OUTER

34.D1444484  
(x3)  
SHOULDER SCREW - M3

40.D1494434  
TENSION SPRING:LEVER:GATE PAWL

45.D1494484  
TORSION SPRING:LEVER:GATE PAWL



35.D1494421  
GEAR:EXIT ROLLER

36.D1494422  
GEAR:REVERSE ROLLER

37.D1494427  
STUD:PULLEY:BRACKET:DC STEPPER MOTOR

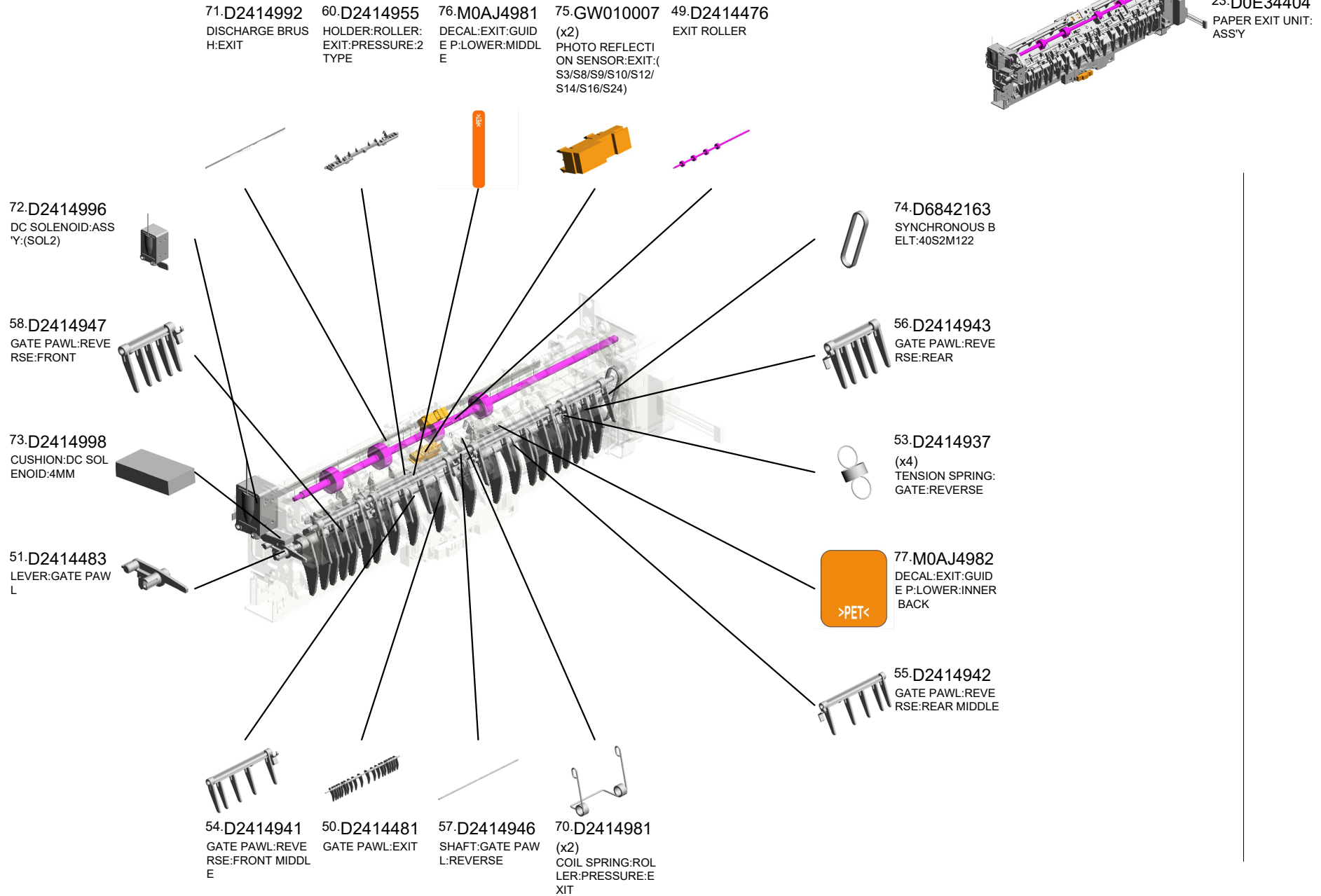
39.D1494429  
PULLEY:GEAR:REVERSE

24.D0E34426  
BRACKET:DC STEPPER MOTOR:REVERSE

33.D0E34994 GUIDE PLATE:EXIT:LOWER  
 48.D2414461 GUIDE PLATE:REVERSE:UPPER  
 31.D0E34949 GUIDE:HARNES:REVERSE  
 43.D1494469 (x2)  
SPRING PLATE:ROLLER:DRIVEN:REVERSE ROLLER  
 38.D1494428 GROUND PLATE:PAPER EXIT UNIT

U001	U002	U003	U004	U005	U006	U007	U008	U009	U010	U011	U012	U013	U014	U015	U016	U017	U018
------	------	------	------	------	------	------	------	------	------	------	------	------	------	------	------	------	------

U012\_S001  
PAPER EXIT UNIT:ASS'Y

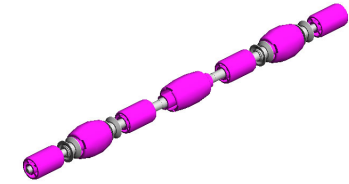


U001	U002	U003	U004	U005	U006	U007	U008	U009	U010	U011	U012	U013	U014	U015	U016	U017	U018
------	------	------	------	------	------	------	------	------	------	------	------	------	------	------	------	------	------

U012\_S001\_S001

ROLLER:EXIT:PRESSURE:2TYPE:ASS'Y

63.D2414964 (x2) ROLLER:EXIT:PRESSURE  
 6.07200020G (x4) RETAINING RING - M2



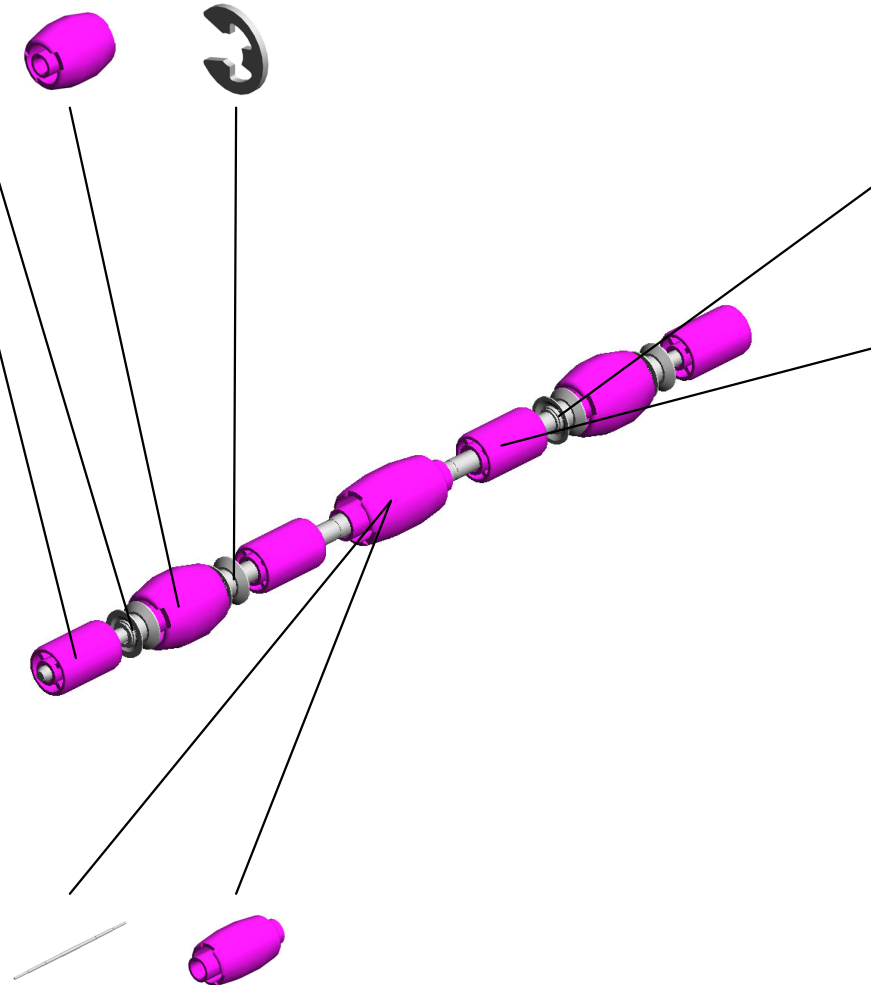
59.D2414950 ROLLER:EXIT:PRESSURE:2TYPE:ASS'Y

69.D2414978 (x2) COLLAR:ROLLER:EXIT:PRESSURE:BOTH ENDS

62.D2414962 (x2) ROLLER:DRIVEN:EXIT

64.D2414965 (x2) COLLAR:ROLLER:EXIT:PRESSURE

68.D2414977 (x2) ROLLER:DRIVEN:EXIT:MIDDLE

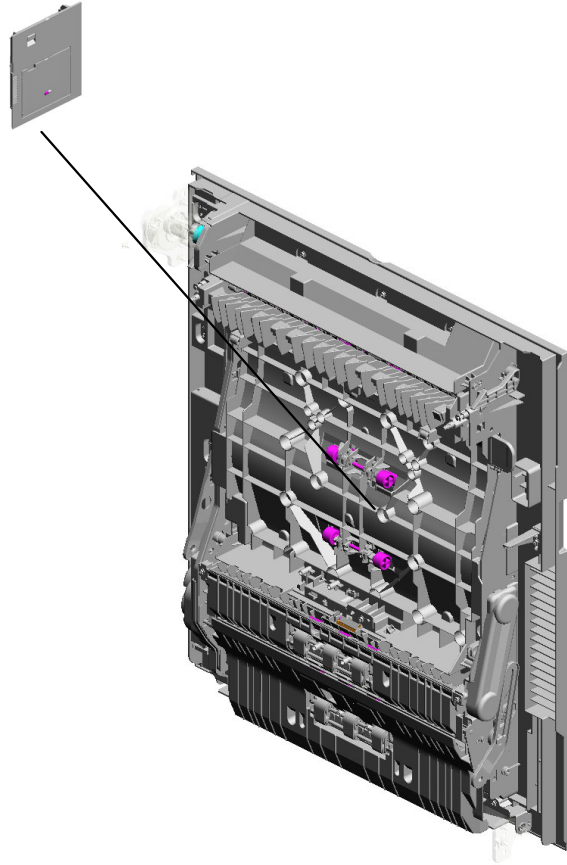


61.D2414957 SHAFT:ROLLER:PRESSURE:EXIT:2TYPE  
 67.D2414976 ROLLER:EXIT:PRESSURE:MIDDLE

U001	U002	U003	U004	U005	U006	U007	U008	U009	U010	U011	U012	U013	U014	U015	U016	U017	U018
------	------	------	------	------	------	------	------	------	------	------	------	------	------	------	------	------	------

# U013.DUPLEX

U013 S001  
D0E34555  
DUPLEX UNIT:IMC3010-6010



U001	U002	U003	U004	U005	U006	U007	U008	U009	U010	U011	U012	U013	U014	U015	U016	U017	U018
------	------	------	------	------	------	------	------	------	------	------	------	------	------	------	------	------	------



# U013\_S001.DUPLEX UNIT:IMC3010-6010

U013 S001 S003  
D0E32671  
GUIDE PLATE:VERTICAL TR  
ANSPORT:NO.1:DRIVEN:ASS  
Y

U013 S001 S002  
D0E34563  
MANUAL FEED TABLE:IMC20  
10-6010

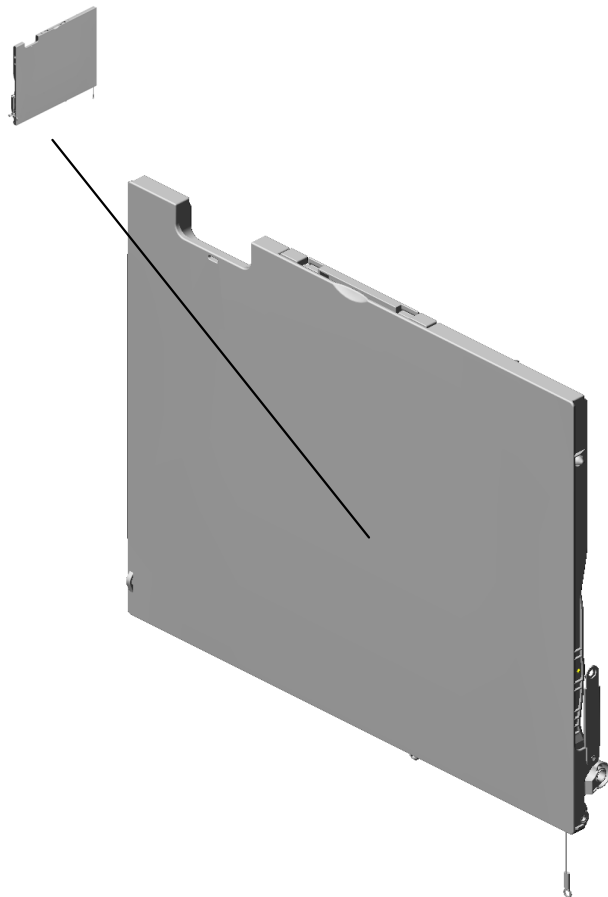
U013 S001 S001  
D0E32600  
MANUAL FEED UNIT:ASS'Y

U013 S001 S004  
D0E32672  
GUIDE PLATE:VERTICAL TR  
ANSPORT:NO.2:DRIVEN:ASS  
Y

U001	U002	U003	U004	U005	U006	U007	U008	U009	U010	U011	U012	U013	U014	U015	U016	U017	U018
------	------	------	------	------	------	------	------	------	------	------	------	------	------	------	------	------	------

# U013\_S001\_S002.MANUAL FEED TABLE:IMC2010-6010

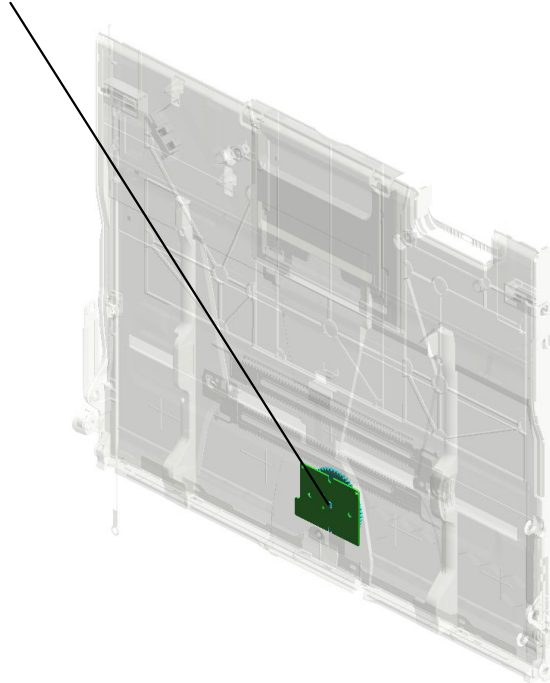
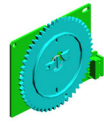
U013 S001 S002 S001  
D0E32603  
MANUAL FEED TABLE:ASSY



U001	U002	U003	U004	U005	U006	U007	U008	U009	U010	U011	U012	U013	U014	U015	U016	U017	U018
------	------	------	------	------	------	------	------	------	------	------	------	------	------	------	------	------	------

# U013\_S001\_S002\_S001.MANUAL FEED TABLE:ASS'Y\_

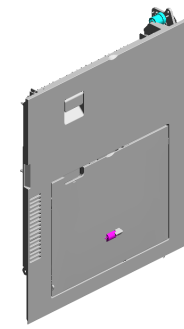
U013\_S001\_S002\_S001\_  
S001  
D0E34570  
PAPER SIZE SENSOR:SENS  
OR:IMC2010-6010:(S7)



U001	U002	U003	U004	U005	U006	U007	U008	U009	U010	U011	U012	U013	U014	U015	U016	U017	U018
------	------	------	------	------	------	------	------	------	------	------	------	------	------	------	------	------	------

# U013 DUPLEX

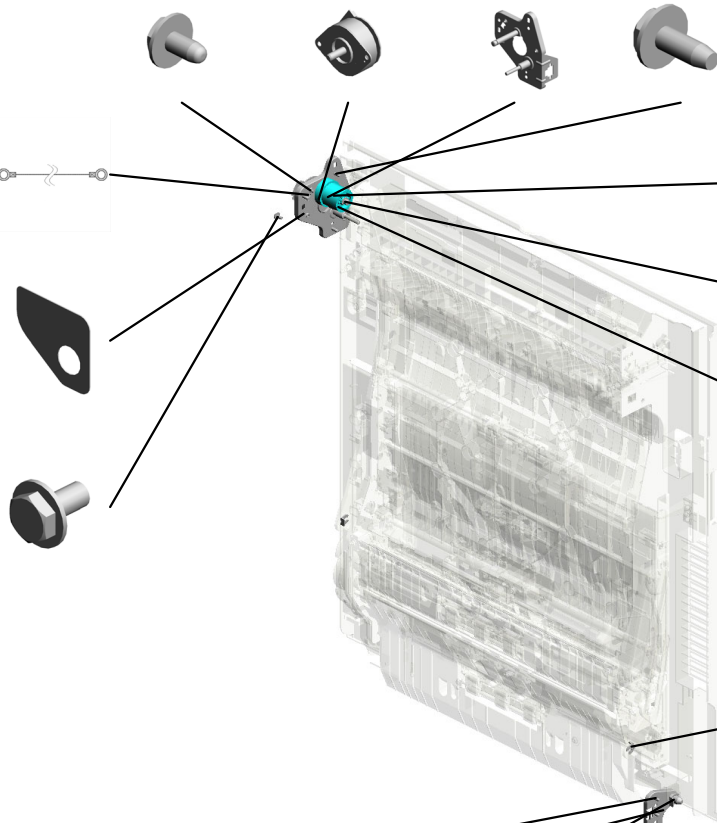
5.04543006Q TAPPING SCREW - M3X6  
 37.AX060464 DC MOTOR:ENCO DER:NO:10W:GEAR:BRUSHLESS:(M1)  
 182.D2414750 BRACKET:MOTOR: DUPLEX  
 7.04583008N (x3) HEXAGON HEAD TAPPING SCREW:3 X8



125.D1494623 GROUND WIRE:BRACKET:ENTRANCE:DUPLEX

71.D0BQ4757 SPACER:DC MOTOR:DUPLEX:2

2.03603006N SCREW - M3X6



70.D0BQ4755 GEAR:OUTPUT:DUPLEX:ENTRANCE:CROWNING

10.07200040E RETAINING RING - M4

36.AW500049 PUSH SWITCH:SW1AG-550:(S4/S17/S19/S21/S35)

19.54472681 (x2) SNAP RING

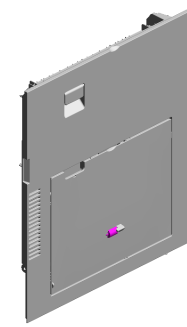
3.04513006N (x 2) TAPPING SCREW - 3X6

3.04513006N (x2) TAPPING SCREW - 3X6  
 138.D1494755 BRACKET:HINGE:DUPLEX:FRONT  
 18.52152621 SNAP RING - M6

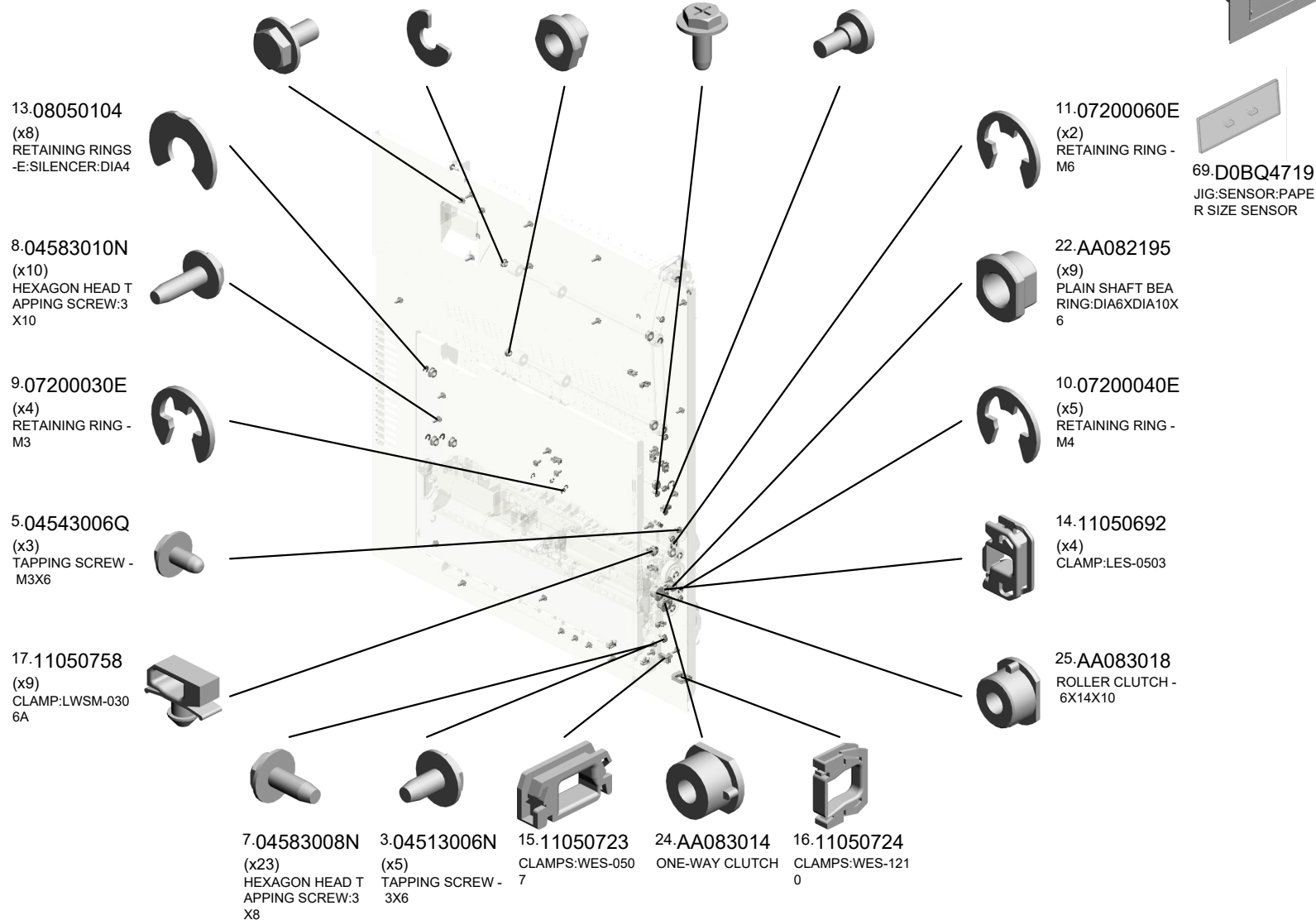
U001	U002	U003	U004	U005	U006	U007	U008	U009	U010	U011	U012	<b>U013</b>	U014	U015	U016	U017	U018
------	------	------	------	------	------	------	------	------	------	------	------	-------------	------	------	------	------	------

U013\_S001  
 DUPLEX UNIT:IMC3010-6010

- 2.03603006N (x2) SCREW - M3X6
- 12.08050103 (x6) RETAINING RINGS -E:SILENCER:DIA3
- 21.AA082193 (x2) PLAIN SHAFT BEA RING:DIA4XDIA8X5
- 6.04543008Q (x2) TAPPING SCREW: -E:SILENCER:DIA3
- 28.AA143807 SCREW:A

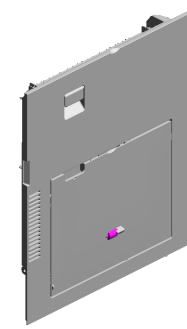


89.D0E34555  
 DUPLEX UNIT:IMC  
 3010-6010



U001	U002	U003	U004	U005	U006	U007	U008	U009	U010	U011	U012	U013	U014	U015	U016	U017	U018
------	------	------	------	------	------	------	------	------	------	------	------	------	------	------	------	------	------

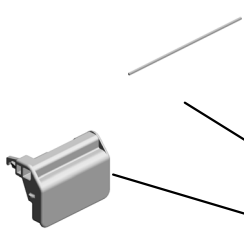
U013\_S001  
 DUPLEX UNIT:IMC3010-6010



89.D0E34555  
 DUPLEX UNIT:IMC  
 3010-6010

- 67.D0BQ4654 SHAFT:LEVER:LOCK
- 93.D0E34660 GUIDE PLATE:UPPER:RIGHT:DUPLEX
- 45.D0094487 (x2) COMPRESSION SPRING - GATE
- 35.AW020234 PHOTOINTERRUPTOR:GP1A173LCS5F:(S5/S6/S8/S11/S13/S15/S23/S25/S32)
- 43.D0094455 (x2) CUSHION - DC SOLENOID

92.D0E34655 GRIP:DUPLEX UNIT



44.D0094485 (x2) BUSHING - GATE



49.D0394529 STOPPER:GUIDE PLATE:ROLLER:DRIVEN



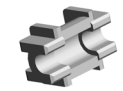
64.D0BQ4646 SYNCHRONOUS BELT:30S2M262



63.D0BQ4645 SYNCHRONOUS BELT:30S2M118



40.B2234552 (x4) BUSHING:DIA4



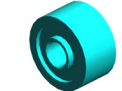
68.D0BQ4680 BRACKET:DRIVEN ROLLER:PRESSURE:PEEN



59.D0BQ2656 HOLDER:HARNESSES



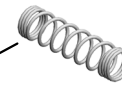
62.D0BQ4644 GEAR:MECHANICAL ROLLER CLUTCH



38.AX060507 DC MOTOR:ENCODER:NO:10W:GEAR:(M2/M4/M5/M6)



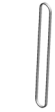
48.D0394525 (x2) COMPRESSION SPRING:SHAFT:GUIDE PLATE:EXIT



65.D0BQ4647 SYNCHRONOUS BELT:30S2M212



66.D0BQ4648 SYNCHRONOUS BELT:30S2M300



50.D0394597 (x4) TENSION SPRING:DRIVEN ROLLER

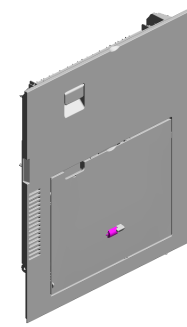


36.AW500049 PUSH SWITCH:SW1AG-550:(S4/S17/S19/S21/S35)



U001	U002	U003	U004	U005	U006	U007	U008	U009	U010	U011	U012	U013	U014	U015	U016	U017	U018
------	------	------	------	------	------	------	------	------	------	------	------	------	------	------	------	------	------

U013\_S001  
 DUPLEX UNIT:IMC3010-6010



89.D0E34555  
 DUPLEX UNIT:IMC  
 3010-6010

- 101.D0E34715 DECAL:GRIP\_Z\_
- 128.D1494656 HOOK:STOPPER:D  
UPLEX UNIT:FRON  
T
- 130.D1494658 COIL SPRING:LEV  
ER:DUPLEX
- 108.D0E34995 GUIDE PLATE:UPP  
ER
- 127.D1494653 TENSION SPRING:  
SWIVEL



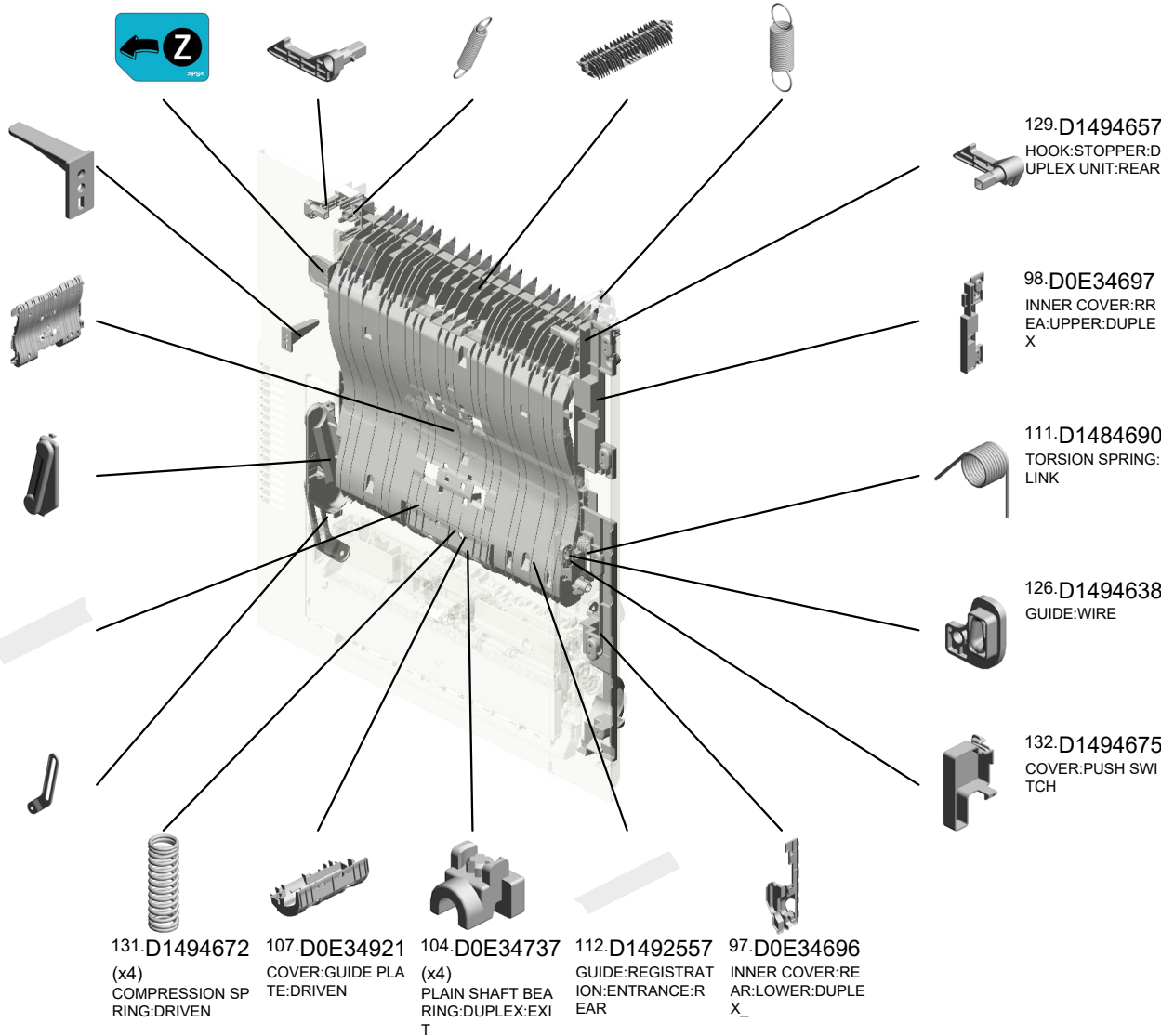
105.D0E34850  
 ARM:PUSH SWITC  
 H

94.D0E34673  
 GUIDE PLATE:DRI  
 VEN

95.D0E34693  
 INNER COVER:FR  
 ONT:DUPLEX

113.D1492558  
 GUIDE:REGISTRAT  
 ION:ENTRANCE:FR  
 ONT

96.D0E34695  
 LINK:FRONT



129.D1494657  
 HOOK:STOPPER:D  
 UPLEX UNIT:REAR

98.D0E34697  
 INNER COVER:RR  
 EA:UPPER:DUPLE  
 X

111.D1484690  
 TORSION SPRING:  
 LINK

126.D1494638  
 GUIDE:WIRE

132.D1494675  
 COVER:PUSH SWI  
 TCH

131.D1494672  
 (x4)  
 COMPRESSION SP  
 RING:DRIVEN

107.D0E34921  
 COVER:GUIDE PLA  
 TE:DRIVEN

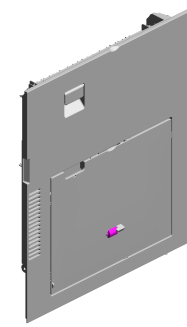
104.D0E34737  
 (x4)  
 PLAIN SHAFT BEA  
 RING:DUPLEX:EXI  
 T

112.D1492557  
 GUIDE:REGISTRAT  
 ION:ENTRANCE:R  
 EAR

97.D0E34696  
 INNER COVER:RE  
 AR:LOWER:DUPLE  
 X\_

U001	U002	U003	U004	U005	U006	U007	U008	U009	U010	U011	U012	U013	U014	U015	U016	U017	U018
------	------	------	------	------	------	------	------	------	------	------	------	------	------	------	------	------	------

U013\_S001  
 DUPLEX UNIT:IMC3010-6010



89.D0E34555  
 DUPLEX UNIT:IMC  
 3010-6010

- 173.D2414677 (x2) COMPRESSION SPRING:EXIT:UPPER
- 172.D2414676 (x2) LEVER:PRESSURE:DUPL
- 171.D2414652 GEAR:PULLEY:SWIVEL
- 170.D2414648 BRACKET:SWIVEL:PEEN
- 152.D2024692 (x2) SHAFT:PRESSURE:GUIDE PLATE:UPPER

148.D2024674  
 TORSION SPRING:  
 DUPLEX:ENTRANCE  
 SENSOR

147.D2024673  
 FEELER:DUPLX:ENTRANCE  
 SENSOR

166.D2414635  
 SHEET:CUSHION

169.D2414643  
 (x2)  
 TRANSPORT ROLLER:  
 ENTRANCE

168.D2414642  
 TRANSPORT ROLLER:  
 DUPLEX:1

164.D2414617  
 TRANSPORT ROLLER:  
 DUPLEX:2:DIA8

149.D2024679  
 DRIVEN ROLLER:  
 DIA16:DUPLX

165.D2414628  
 GUIDE PLATE:  
 DUPLEX:EXIT

150.D2024682  
 DRIVEN ROLLER:  
 DIA16

167.D2414640  
 TRANSPORT ROLLER:  
 EXIT:DIA8

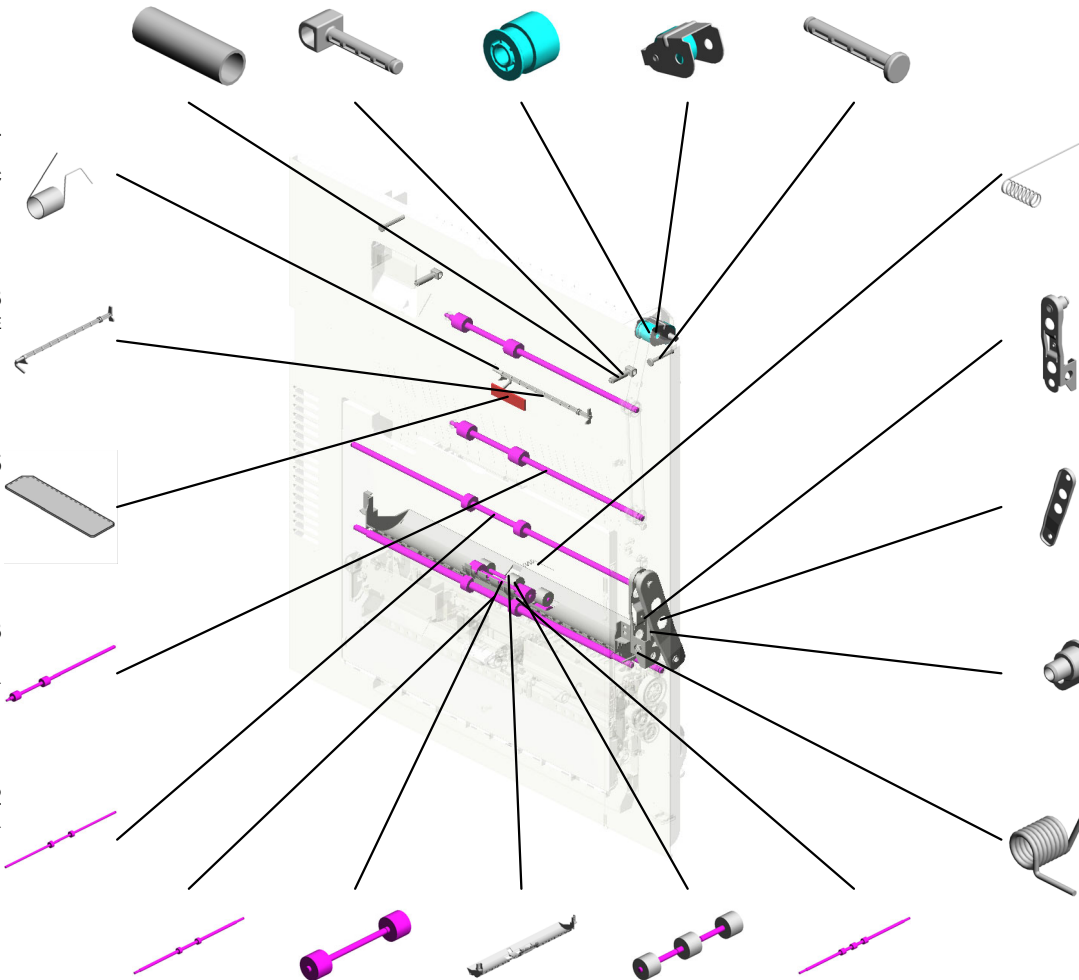
151.D2024684  
 GROUND WIRE:  
 BRACKET:DRIVEN  
 ROLLER

153.D2024722  
 LINK:DUPLX

134.D1494688  
 LINK:DUPLX:  
 MAIN

133.D1494677  
 STAY:CONTACT  
 POINT:GUIDE  
 PLATE:DRIVEN

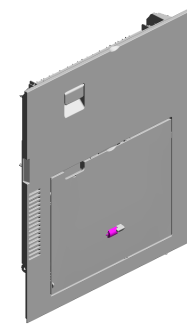
154.D2024726  
 TORSION SPRING:  
 LINK:CONTACT  
 POINT



U001	U002	U003	U004	U005	U006	U007	U008	U009	U010	U011	U012	U013	U014	U015	U016	U017	U018
------	------	------	------	------	------	------	------	------	------	------	------	------	------	------	------	------	------



U013\_S001  
 DUPLEX UNIT:IMC3010-6010



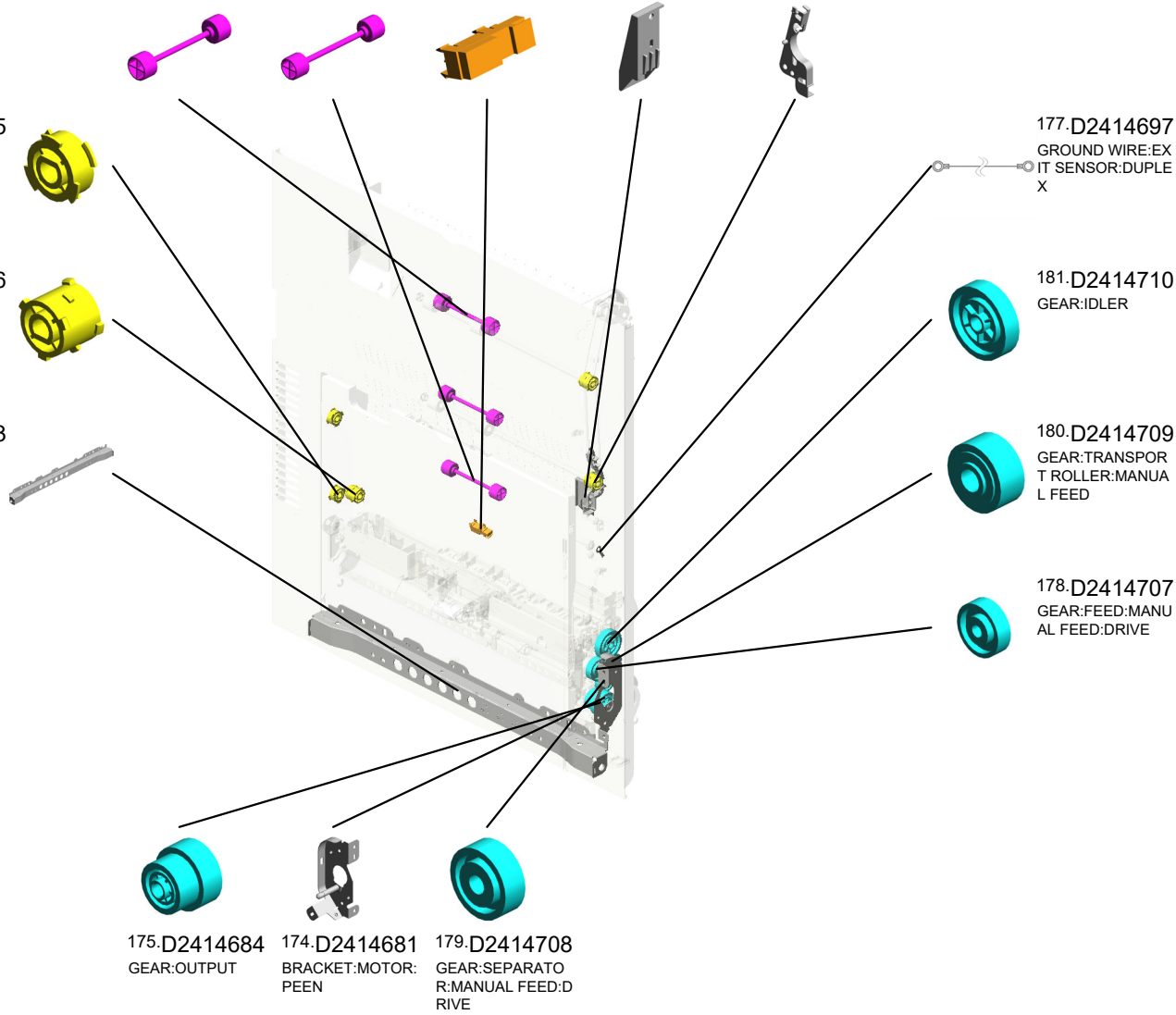
89.D0E34555  
 DUPLEX UNIT:IMC  
 3010-6010

184.D2414762 DRIVEN ROLLER: DIA18  
 183.D2414761 (x2) DRIVEN ROLLER: DIA16  
 189.GW010007 PHOTO REFLECTOR SENSOR:EXIT:(S3/S8/S9/S10/S12/S14/S16/S24)  
 176.D2414694 CAP:BELT:DUPLEX  
 185.D2414763 GUIDE:HARNESS:ENTRANCE SENSOR:DUPLEX

186.D2414765 (x2) PULLEY:T26

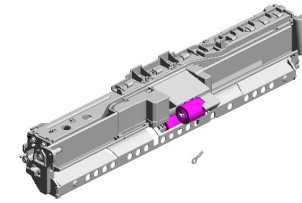
187.D2414766 (x3) PULLEY:T26/T26

188.D2414923 STAY:CONTACT POINT:DUPLEX



U001	U002	U003	U004	U005	U006	U007	U008	U009	U010	U011	U012	<b>U013</b>	U014	U015	U016	U017	U018
------	------	------	------	------	------	------	------	------	------	------	------	-------------	------	------	------	------	------

U013\_S001\_S001  
MANUAL FEED UNIT:ASS'Y



72.D0E32600  
MANUAL FEED UNI  
T:ASS'Y

- 8.04583010N (x4) HEXAGON HEAD TAPPING SCREW:3 X10
- 1.03530030N (x2) SCREW:M3X3
- 23.AA082198 BUSHING:DIA6XDI A10X9:EG-1-J
- 13.08050104 (x7) RETAINING RINGS -E:SILENCER:DIA4
- 30.AB011252 GEAR - 20Z

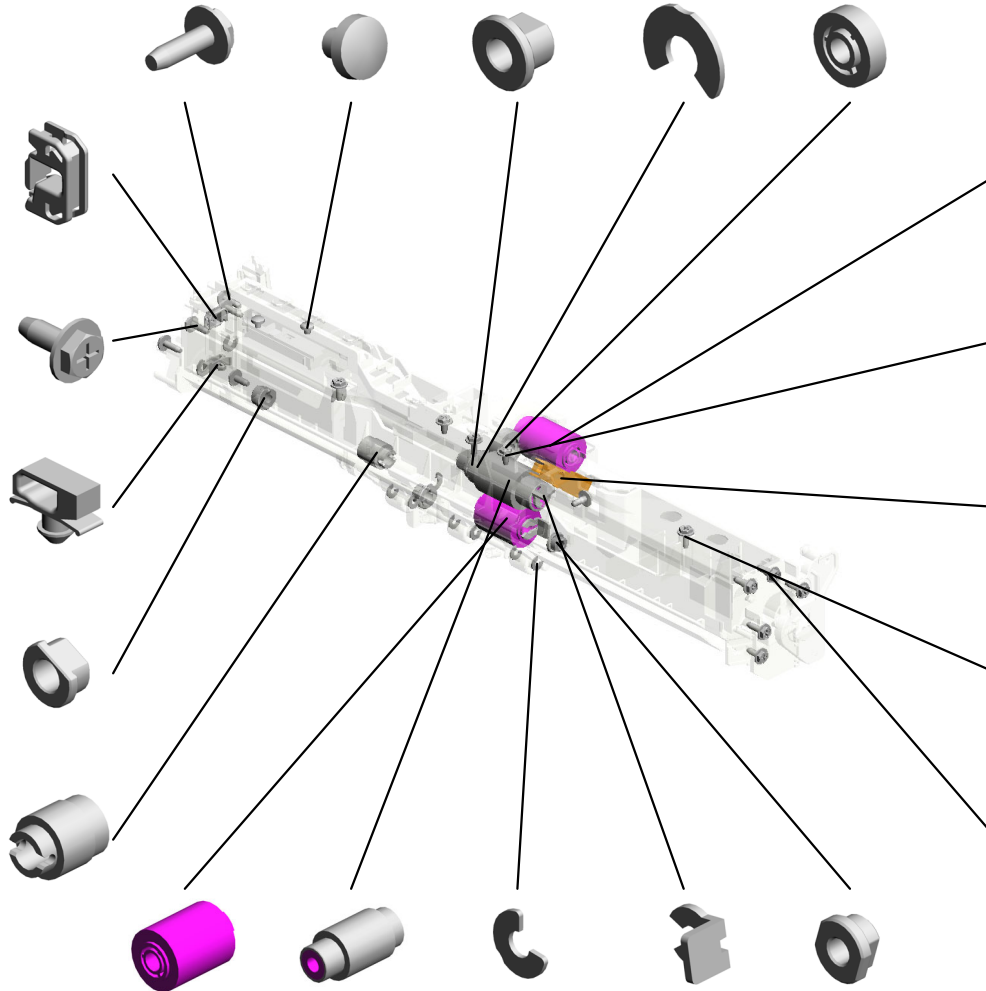
14.11050692  
CLAMP:LES-0503

4.04513008N  
(x5)  
TAPPING SCREW - M3X8

17.11050758  
CLAMP:LWSM-030 6A

20.AA082191  
(x2)  
BUSHING:DIA6XDI A10X6:EG-1-J

29.AB010157  
GEAR:SEPARATE: DRIVEN



32.AF030049  
PICK-UP ROLLER

3.04513006N  
(x2)  
TAPPING SCREW - 3X6

35.AW020234  
PHOTOINTERRUPTOR:GP1A173LCS 5F:(S5/S6/S8/S11/S13/S15/S23/S25/S3 2)

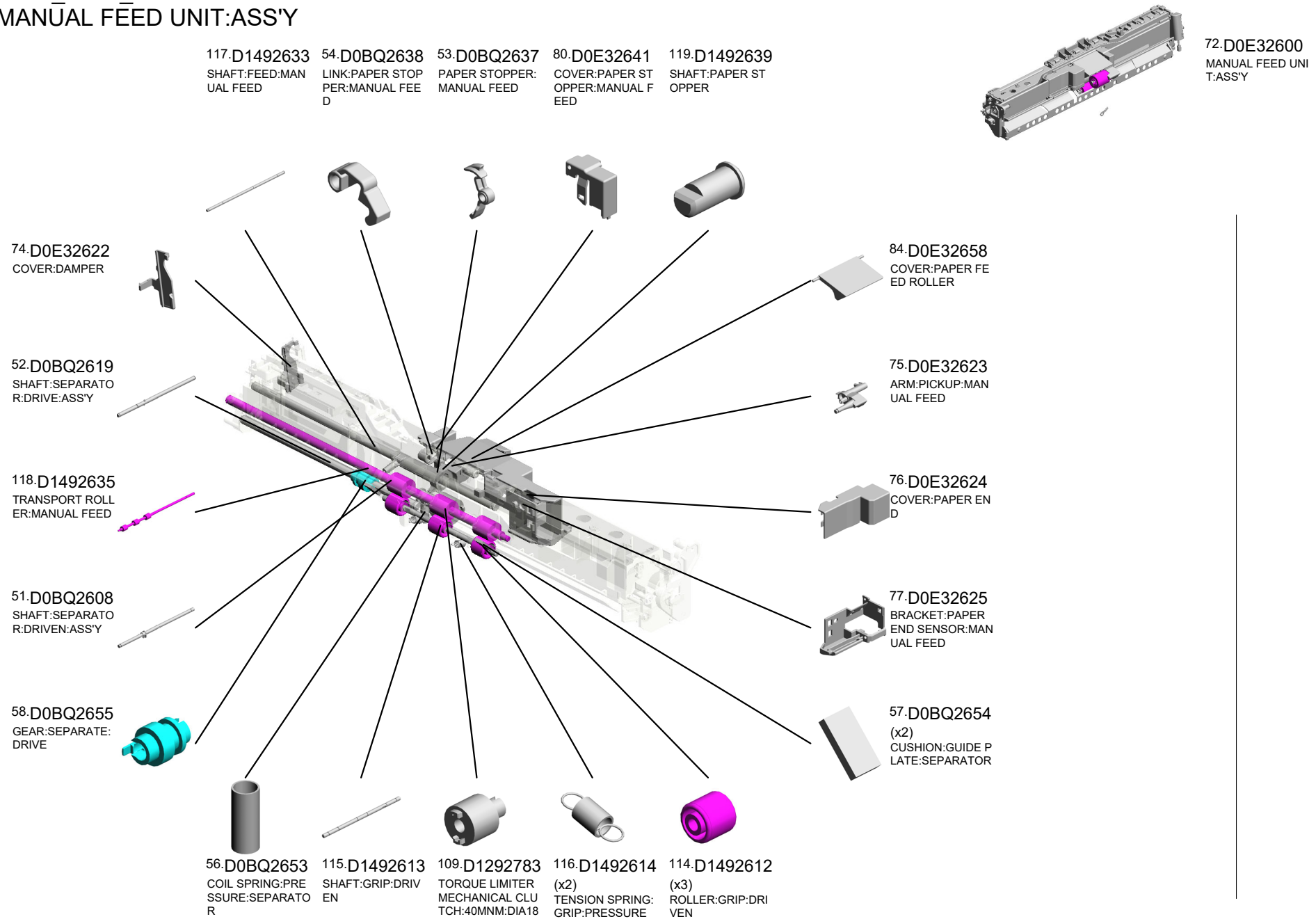
7.04583008N  
(x3)  
HEXAGON HEAD TAPPING SCREW:3 X8

27.AA143579  
(x2)  
SCREW - M3

- 34.AF032046 SEPARATION ROLLER - MANUAL FEED
- 33.AF031046 FEED ROLLER - MANUAL FEED
- 12.08050103 (x6) RETAINING RINGS -E:SILENCER:DIA3
- 26.AA100014 (x2) RETAINING RING C - SEPARATE
- 21.AA082193 PLAIN SHAFT BEARING RING:DIA4XDI A8X5

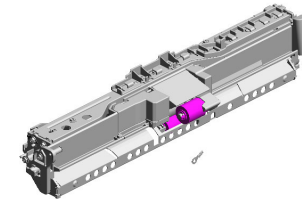
U001	U002	U003	U004	U005	U006	U007	U008	U009	U010	U011	U012	U013	U014	U015	U016	U017	U018
------	------	------	------	------	------	------	------	------	------	------	------	------	------	------	------	------	------

# U013\_S001\_S001 MANUAL FEED UNIT:ASS'Y



U001	U002	U003	U004	U005	U006	U007	U008	U009	U010	U011	U012	<b>U013</b>	U014	U015	U016	U017	U018
------	------	------	------	------	------	------	------	------	------	------	------	-------------	------	------	------	------	------

# U013\_S001\_S001 MANUAL FEED UNIT:ASS'Y



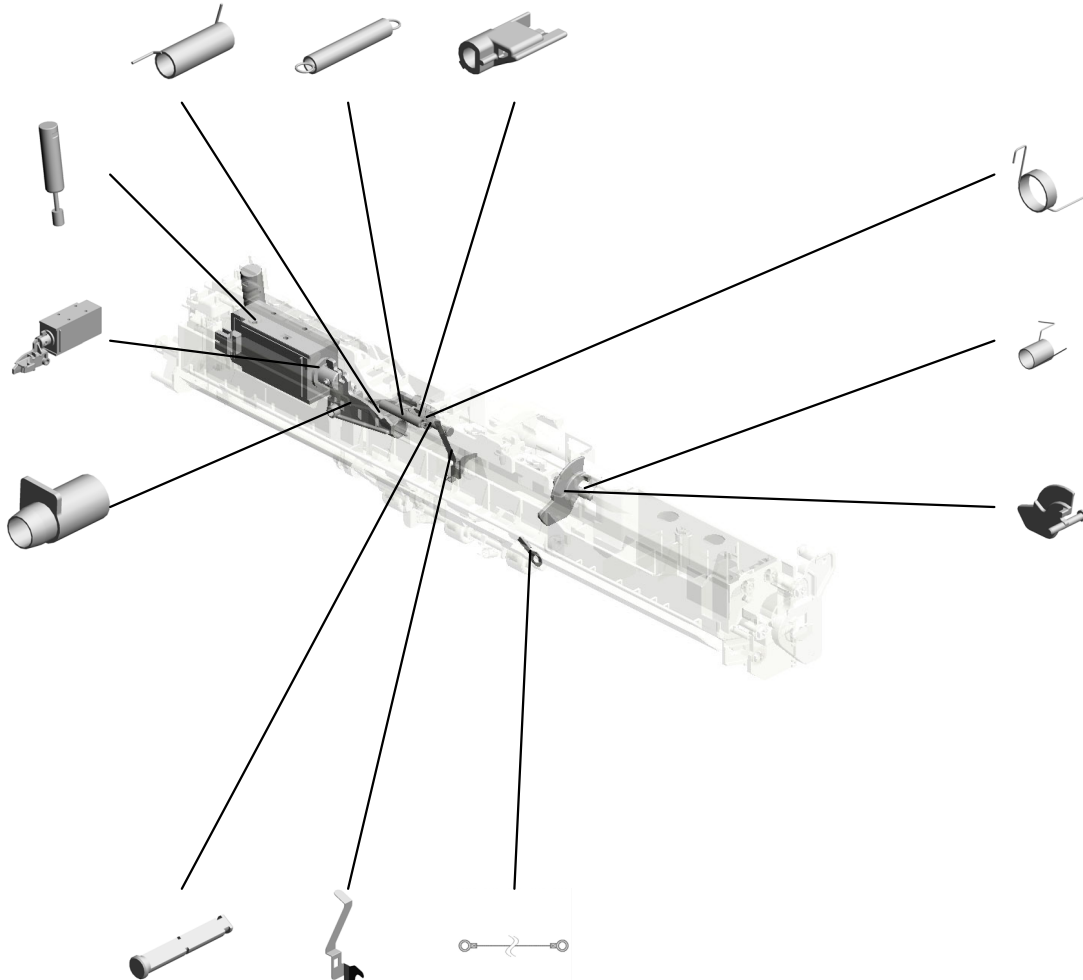
72.D0E32600  
MANUAL FEED UNIT:ASS'Y

- 142.D2022619 TORSION SPRING: PICKUP
- 141.D2022614 COIL SPRING:REL EASE:PICKUP:MANUAL FEED
- 156.D2412643 ARM:LINK:PAPER STOPPER

191.M0662749 OIL DAMPER:STRAIGHT:30N

155.D2412612 DC SOLENOID:PICKUP:ASS'Y:(SOL1)

143.D2022620 SHOE:TORSION SPRING:PICKUP



157.D2412644 TORSION SPRING: LINK:PAPER STOPPER

122.D1492656 TORSION SPRING: PAPER END SENSOR

121.D1492655 FEELER:PAPER END SENSOR

- 120.D1492642 SHAFT:LINK:PAPER STOPPER
- 158.D2412652 GROUND PLATE:SHAFT:FEED
- 159.D2412657 GROUND WIRE:MANUAL FEED UNIT:REAR

U001	U002	U003	U004	U005	U006	U007	U008	U009	U010	U011	U012	U013	U014	U015	U016	U017	U018
------	------	------	------	------	------	------	------	------	------	------	------	------	------	------	------	------	------

U013\_S001\_S002  
MANUAL FEED TABLE:IMC2010-6010



90.D0E34563  
MANUAL FEED TA  
BLE:IMC2010-6010



69.D0BQ4719  
JIG:SENSOR:PAPE  
R SIZE SENSOR

U001	U002	U003	U004	U005	U006	U007	U008	U009	U010	U011	U012	U013	U014	U015	U016	U017	U018
------	------	------	------	------	------	------	------	------	------	------	------	------	------	------	------	------	------

U013\_S001\_S002\_S001  
MANUAL FEED TABLE:ASS'Y\_

- 61.D0BQ2688 TENSION SPRING: WIRE
- 123.D1492693 (x2) STOPPER:MANUAL FEED TABLE
- 35.AW020234 PHOTOINTERRUPTOR:GP1A173LCS 5F:(S5/S6/S8/S11/S13/S15/S23/S25/S32)
- 81.D0E32642 EXTENSION TRAY: NO.2
- 82.D0E32643 EXTENSION TRAY: NO.1



73.D0E32603  
MANUAL FEED TABLE:ASS'Y\_

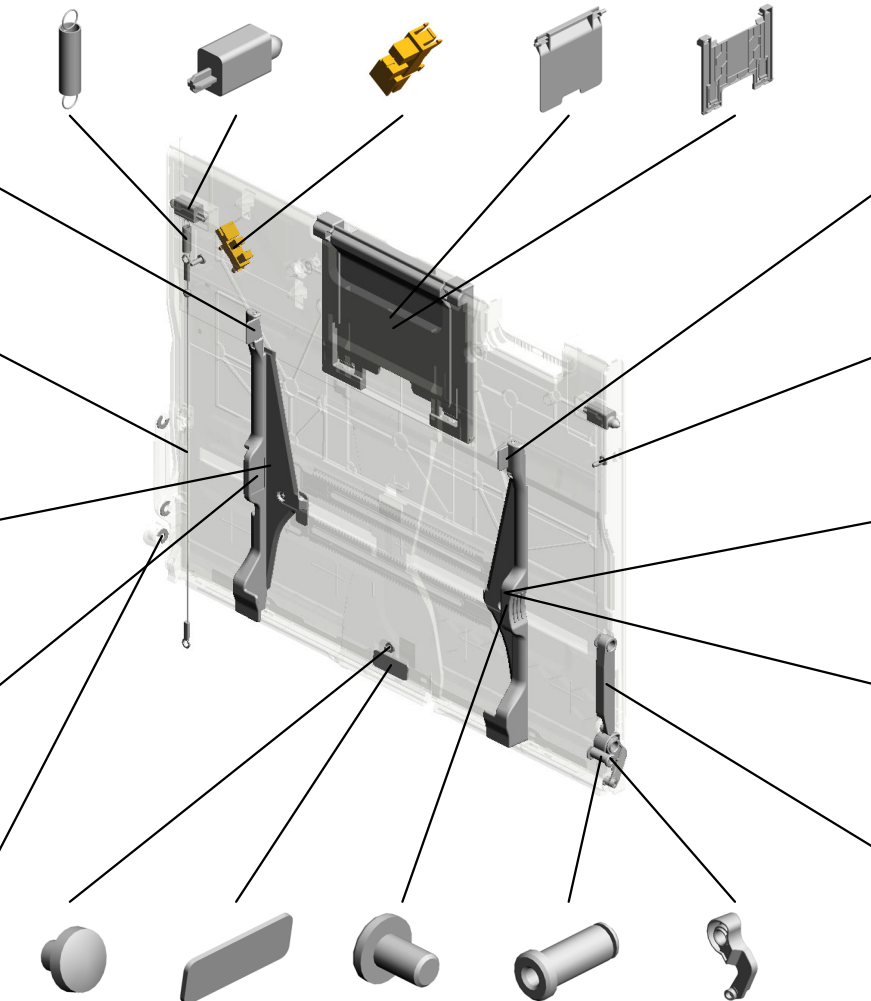
103.D0E34720  
PLATE:SIDE FENCE:REAR

60.D0BQ2686  
WIRE:MANUAL FEED TABLE:TC075

79.D0E32633  
SIDE FENCE:REAR

100.D0E34711  
DECAL:SIDE FENCE:MANUAL FEED\_

13.08050104  
(x5)  
RETAINING RINGS: SILENCER:DIA4



102.D0E34717  
PLATE:SIDE FENCE:FRONT

39.B2231099  
(x2)  
FLAT SCREW

55.D0BQ2644  
(x2)  
BRACKET:SIDE FENCE:MANUAL FEED

78.D0E32631  
SIDE FENCE:FRONT

88.D0E32693  
ARM:MANUAL FEED:FRONT UPPER

1.03530030N  
SCREW:M3X3

31.AF013020  
PAD:TRAY BOTTOM PLATE

83.D0E32650  
(x2)  
FLAT SCREW:M3X5:SIDE FENCE

99.D0E34707  
PIN:ARM:FRONT LOWER

106.D0E34886  
ARM:MANUAL FEED:FRONT LOWER

U001	U002	U003	U004	U005	U006	U007	U008	U009	U010	U011	U012	U013	U014	U015	U016	U017	U018
------	------	------	------	------	------	------	------	------	------	------	------	------	------	------	------	------	------

U013\_S001\_S002\_S001  
 MANUAL FEED TABLE:ASS'Y\_

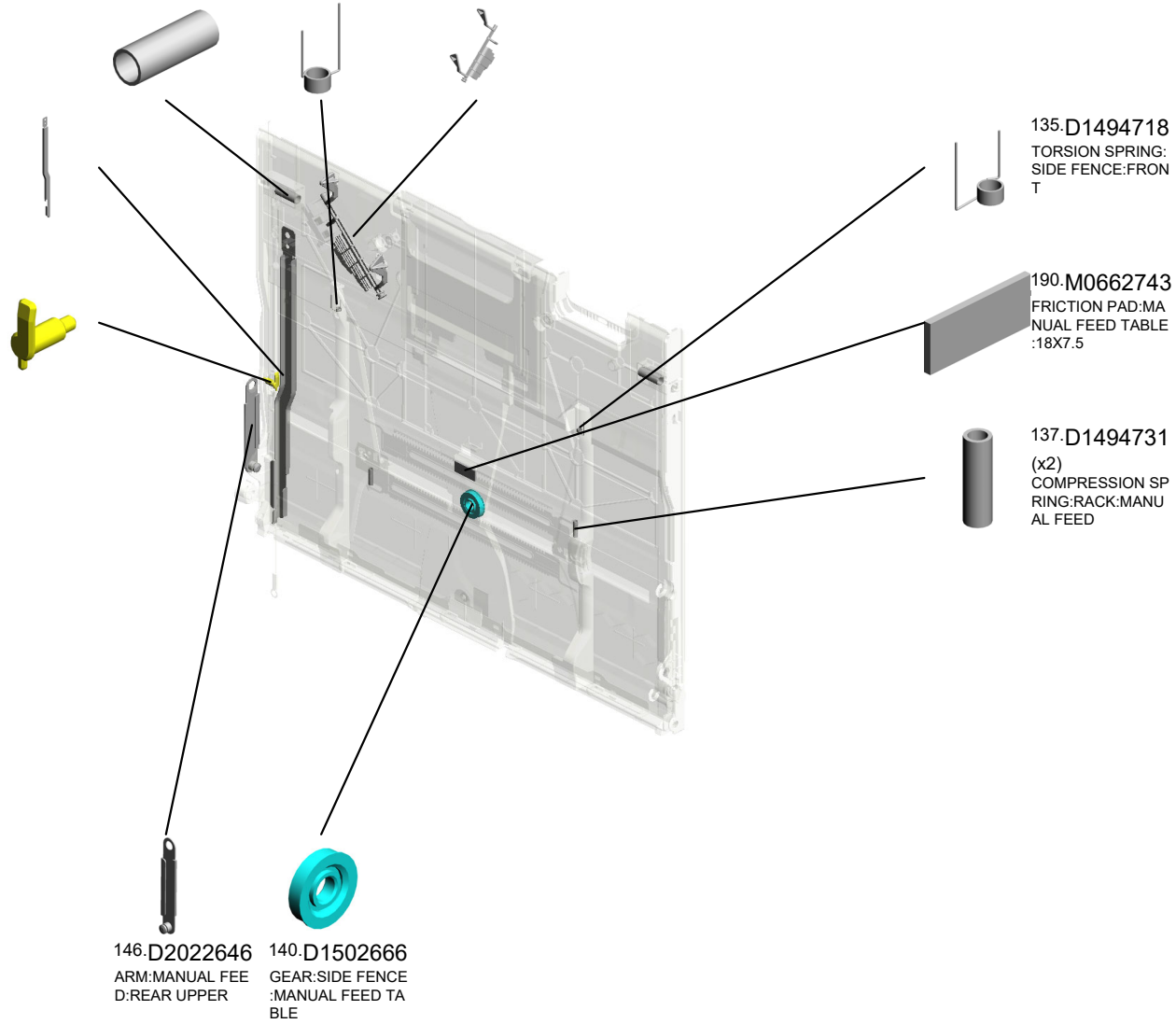


73.D0E32603  
 MANUAL FEED TA  
 BLE:ASS'Y\_

- 124.D1492694 (x2) COMPRESSION SPRING:STOPPER:MANUAL FEED TABLE
- 136.D1494721 TORSION SPRING:SIDE FENCE:REAR
- 144.D2022638 FEELER:PAPER SIZE SENSOR:MANUAL FEED

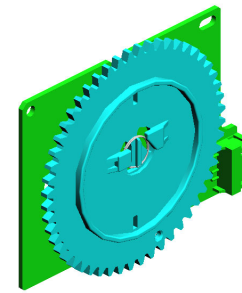
163.D2412682 STAY:REAR:MANUAL FEED TABLE

145.D2022642 PULLEY:WIRE:MANUAL FEED TABLE

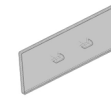


U001	U002	U003	U004	U005	U006	U007	U008	U009	U010	U011	U012	U013	U014	U015	U016	U017	U018
------	------	------	------	------	------	------	------	------	------	------	------	------	------	------	------	------	------

U013\_S001\_S002\_S001\_S001  
PAPER SIZE SENSOR:SENSOR:IMC2010-6010:(S7)



91.D0E34570  
PAPER SIZE SENS  
OR:SENSOR:IMC2  
010-6010:(S7)



69.D0BQ4719  
JIG:SENSOR:PAPE  
R SIZE SENSOR

U001	U002	U003	U004	U005	U006	U007	U008	U009	U010	U011	U012	U013	U014	U015	U016	U017	U018
------	------	------	------	------	------	------	------	------	------	------	------	------	------	------	------	------	------



U013\_S001\_S003

GUIDE PLATE:VERTICAL TRANSPORT:NO.1:DRIVEN:ASS'Y

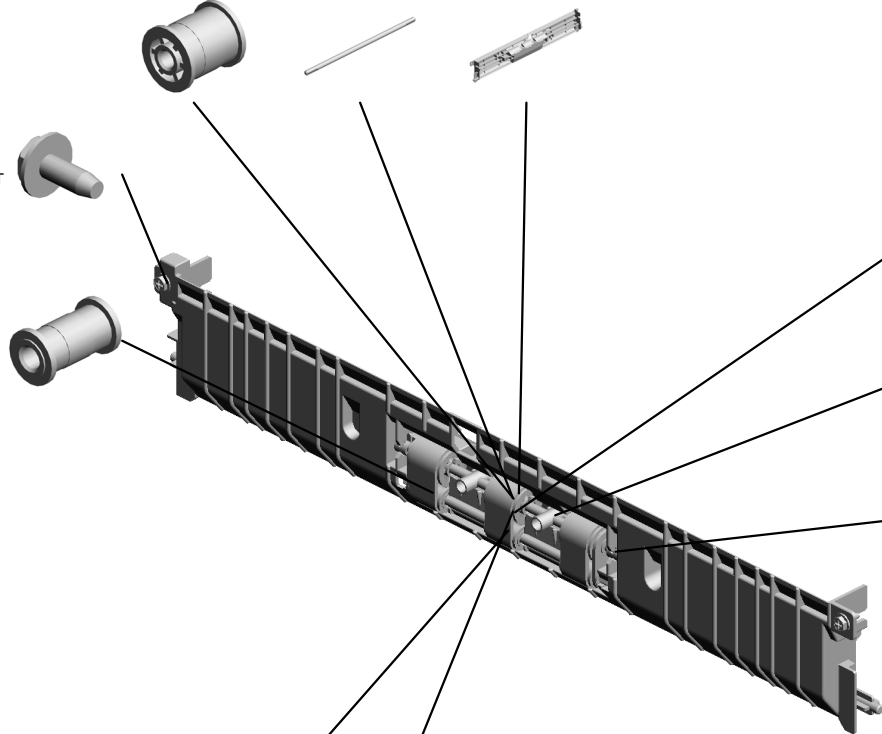
41.D0092573 (x3) PULLEY - VERTICAL TRANSPORT  
 162.D2412678 SHAFT:FLAT CONVEYER BELT:DRIVEN  
 87.D0E32673 GUIDE PLATE:VERTICAL TRANSPORT:NO.1:DRIVEN



85.D0E32671 GUIDE PLATE:VERTICAL TRANSPORT:NO.1:DRIVEN:ASS'Y

7.04583008N (x2) HEXAGON HEAD TAPPING SCREW:3X8

42.D0092574 (x3) PULLEY - IDLER



161.D2412676 HOLDER:DRIVEN:BELT

139.D1494777 (x2) COMPRESSION SPRING:FLAT CONVEYER BELT:DRIVEN

110.D1444489 (x2) STOPPER:DRIVEN ROLLER

47.D0392993 SHAFT:TRANSPORT BELT:PULLEY  
 46.D0292677 (x3) TRANSPORT BELT:DRIVEN:VERTICAL TRANSPORT

U001	U002	U003	U004	U005	U006	U007	U008	U009	U010	U011	U012	U013	U014	U015	U016	U017	U018
------	------	------	------	------	------	------	------	------	------	------	------	------	------	------	------	------	------

U013\_S001\_S004

GUIDE PLATE:VERTICAL TRANSPORT:NO.2:DRIVEN:ASS'Y

160.D2412674 GUIDE PLATE:VERTICAL TRANSPORT:NO.2:DRIVEN  
 41.D0092573 (x3) PULLEY - VERTICAL TRANSPORT  
 162.D2412678 SHAFT:FLAT CONVEYER BELT:DRIVEN



86.D0E32672 GUIDE PLATE:VERTICAL TRANSPORT:NO.2:DRIVEN:ASS'Y

4.04513008N (x2) TAPPING SCREW - M3X8

42.D0092574 (x3) PULLEY - IDLER



139.D1494777 (x2) COMPRESSION SPRING:FLAT CONVEYER BELT:DRIVEN

161.D2412676 HOLDER:DRIVEN:BELT

110.D1444489 (x2) STOPPER:DRIVEN ROLLER

47.D0392993 SHAFT:TRANSPORT BELT:PULLEY  
 46.D0292677 (x3) TRANSPORT BELT:DRIVEN:VERTICAL TRANSPORT

U001	U002	U003	U004	U005	U006	U007	U008	U009	U010	U011	U012	U013	U014	U015	U016	U017	U018
------	------	------	------	------	------	------	------	------	------	------	------	------	------	------	------	------	------

# U014.MAIN DRIVE

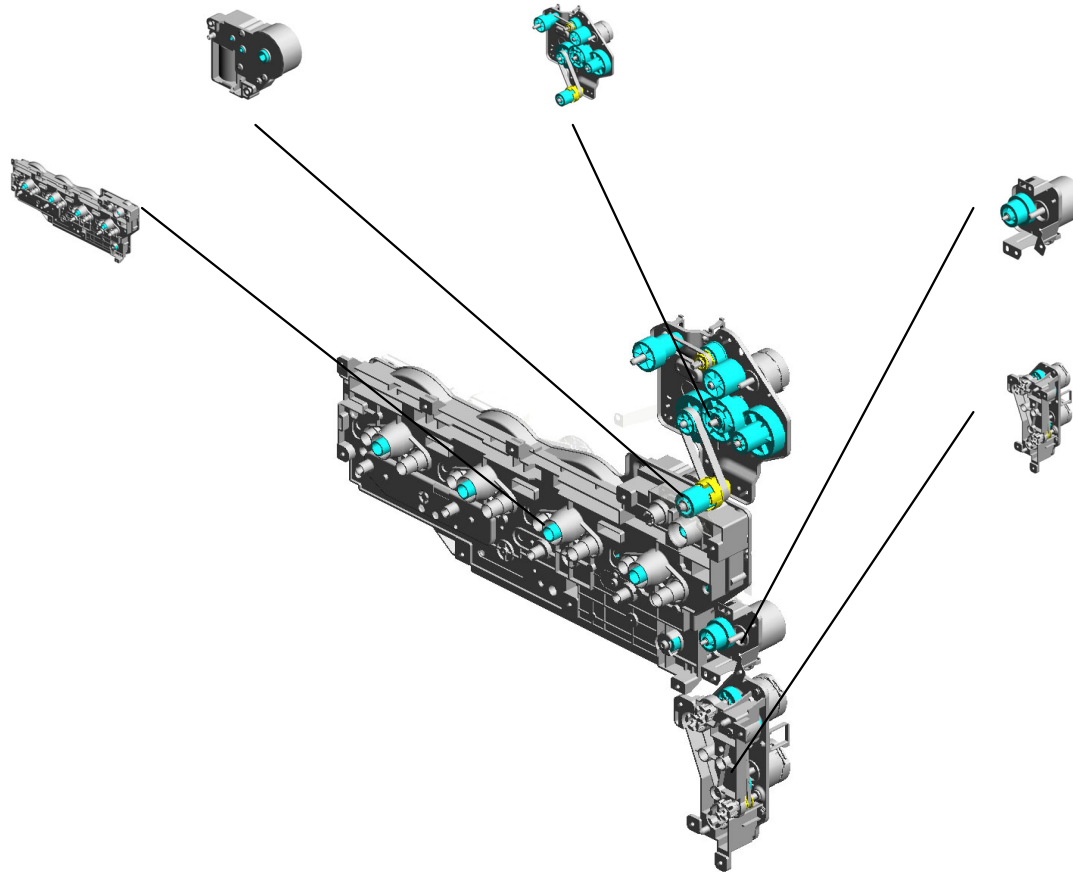
U014 S002  
D0CH1199  
DRIVE UNIT:ON-OFF:TRANS  
FER:(M18)

U014 S004  
D0E31358  
DRIVE UNIT:FUSING/PAPER  
EXIT UNIT:ASSY

U014 S001  
D0E11117  
DRIVE UNIT:ENGINE:ASSY

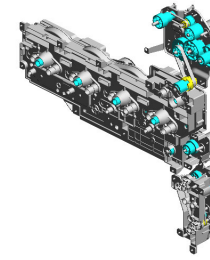
U014 S005  
D1491351  
DRIVE UNIT:REGISTRATION:  
ASS'Y

U014 S003  
D0E31399  
DRIVE UNIT:PAPER FEED:AS  
S'Y



U001	U002	U003	U004	U005	U006	U007	U008	U009	U010	U011	U012	U013	U014	U015	U016	U017	U018
------	------	------	------	------	------	------	------	------	------	------	------	------	------	------	------	------	------

# U014 MAIN DRIVE



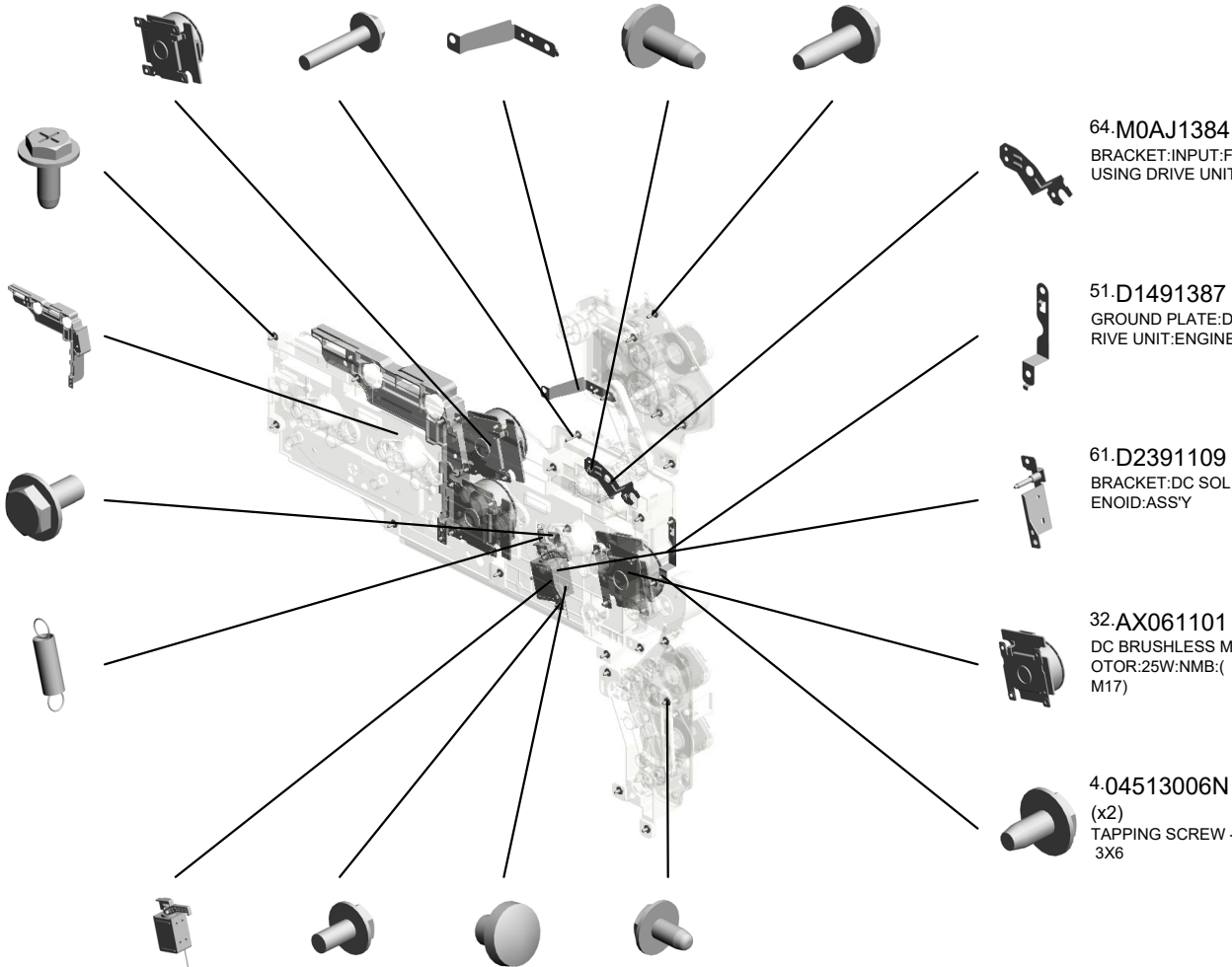
- 31.AX061001 (x2) DC BRUSHLESS MOTOR:40W:NMB:(M15/M16)
- 3.03603016N (x2) SCREW - M3X16
- 53.D1491394 GROUND PLATE:DRIVE UNIT:FUSING/PAPER EXIT UNIT
- 7.04583008N HEXAGON HEAD TAPPING SCREW:3X8
- 8.04583010N (x6) HEXAGON HEAD TAPPING SCREW:3X10

- 6.04543008Q (x9) TAPPING SCREW:3X8

- 36.D0BQ1113 GUIDE:HARNESS:RIGHT

- 2.03603006N (x18) SCREW - M3X6

- 45.D1471177 TENSION SPRING:ARM:MCPG



- 64.M0AJ1384 BRACKET:INPUT:FUSING DRIVE UNIT

- 51.D1491387 GROUND PLATE:DRIVE UNIT:ENGINE

- 61.D2391109 BRACKET:DC SOLENOID:ASSY

- 32.AX061101 DC BRUSHLESS MOTOR:25W:NMB:(M17)

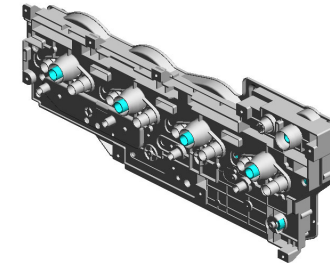
- 4.04513006N (x2) TAPPING SCREW - 3X6

- 38.D0E11107 DC SOLENOID:ASSY:(SOL4)
- 56.D1771592 SCREW:M3X6
- 1.03530030N (x2) SCREW:M3X3
- 5.04543006Q (x8) TAPPING SCREW - M3X6

U001	U002	U003	U004	U005	U006	U007	U008	U009	U010	U011	U012	U013	U014	U015	U016	U017	U018
------	------	------	------	------	------	------	------	------	------	------	------	------	------	------	------	------	------

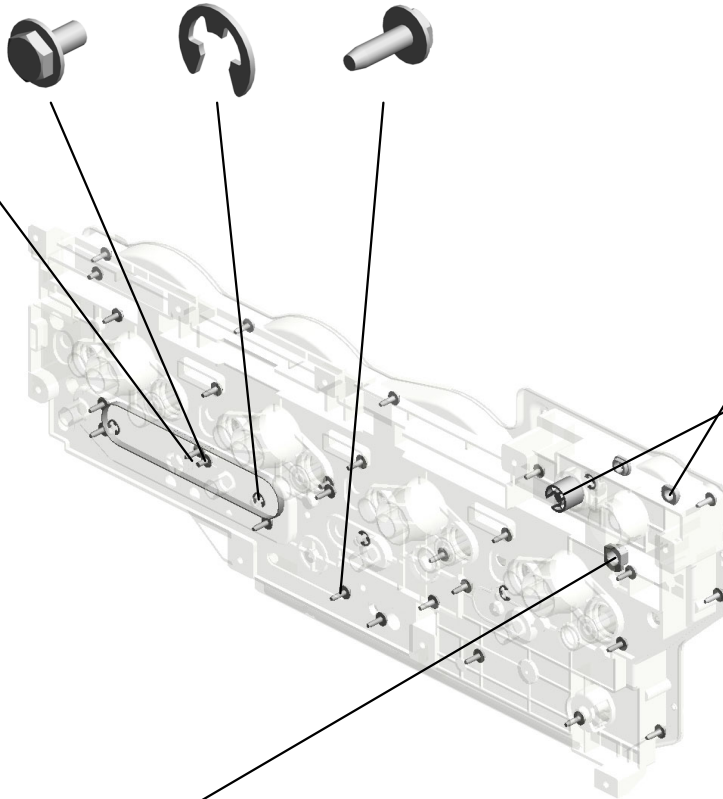
U014\_S001  
DRIVE UNIT:ENGINE:ASS'Y

2.03603006N (x3) SCREW - M3X6  
 11.07200040E (x6) RETAINING RING - M4  
 8.04583010N (x25) HEXAGON HEAD TAPPING SCREW:3 X10



39.D0E11117  
DRIVE UNIT:ENGINE:ASS'Y

20.AA043634  
TIMING BELT - 40S  
2M296



23.AA082172  
(x2)  
BUSHING:DIA6XDI  
A10X4:EG-1



34.B2231163  
JOINT:ON-OFF:INT  
ERMEDATE TRAN  
SFER

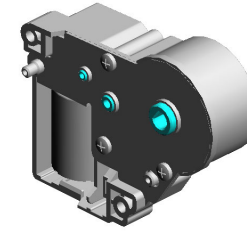


24.AA082175  
PLAIN SHAFT BEA  
RING:8X12X7

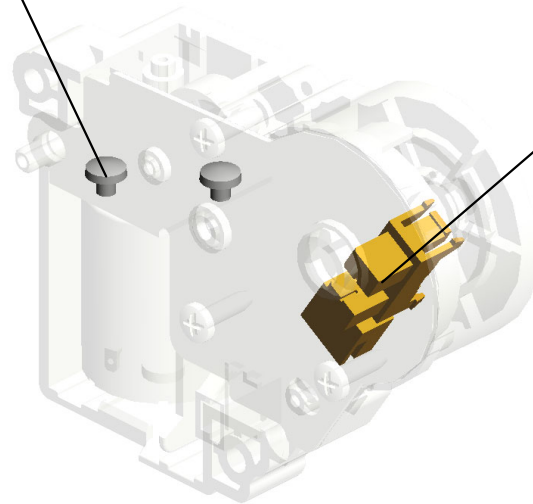
U001	U002	U003	U004	U005	U006	U007	U008	U009	U010	U011	U012	U013	U014	U015	U016	U017	U018
------	------	------	------	------	------	------	------	------	------	------	------	------	------	------	------	------	------

U014\_S002  
DRIVE UNIT:ON-OFF:TRANSFER:(M18)

1-03530030N  
(x2)  
SCREW:M3X3



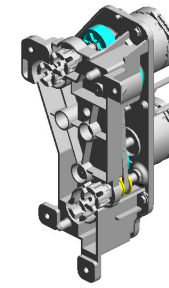
37.D0CH1199  
DRIVE UNIT:ON-OFF  
F:TRANSFER:(M18)



28.AW020234  
PHOTOINTERRUP  
TOR:GP1A173LCS  
5F:(S5/S6/S8/S11/S  
13/S15/S23/S25/S3  
2)

U001	U002	U003	U004	U005	U006	U007	U008	U009	U010	U011	U012	U013	U014	U015	U016	U017	U018
------	------	------	------	------	------	------	------	------	------	------	------	------	------	------	------	------	------

U014\_S003  
DRIVE UNIT:PAPER FEED:ASS'Y



44.D0E31399  
DRIVE UNIT:PAPE  
R FEED:ASS'Y

59.D2021193 (x2) STUD:PAPER FEE  
D:GRIP:ASS'Y  
2.03603006N (x9) SCREW - M3X6  
58.D2021191 GEAR:GRIP:NO.1  
9.06320100G (x2) PIN - 2X10MM  
25.AA082193 (x2) PLAIN SHAFT BEA  
RING:DIA4XDIA8X5

13.08050104 (x3) RETAINING RINGS  
-E:SILENCER:DIA4

41.D0E31194 PULLEY:FEED:NO.  
1:MECHANICAL RO  
LLER CLUTCH:T

52.D1491392 FLANGE:PAPER F  
EED:FEED

57.D2021143 (x4) JOINT:DRIVE

19.AA043623 TIMING BELT - B40  
S2M180

40.D0E31187 HOUSING:DRIVE U  
NIT:PAPER FEED:A  
SS'Y\_

22.AA080346 (x4) BUSHING:FLANGE  
TYPE:DIA6

42.D0E31196 GEAR:FEED:NO.2:  
MECHANICAL RO  
LLER CLUTCH:T

11.07200040E (x8) RETAINING RING -  
M4

26.AA082194 (x2) BUSHING:DIA6XDI  
A10X4:EG-1J

47.D1491197 GEAR:IDLER:PAPE  
R FEED:GRIP:NO.1

17.11050765 (x2) CLAMP:LWS-2218A

18.AA043000 SYNCHRONOUS B  
ELT:40S3M192

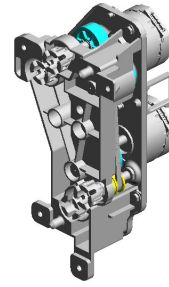
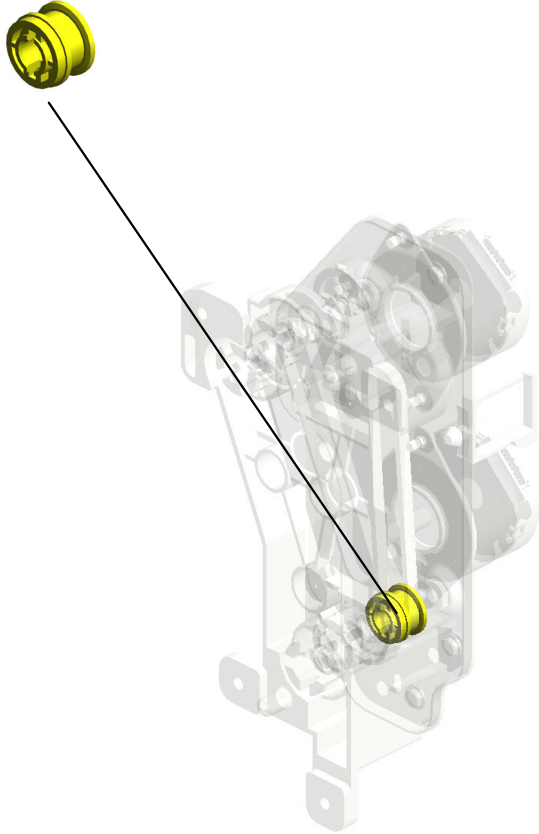
30.AX060507 (x2) DC MOTOR:ENCO  
DER:NO:10W:GEA  
R:(M2/M4/M5/M6)

46.D1491195 GEAR:IDLER:PAPE  
R FEED:FEED

U001	U002	U003	U004	U005	U006	U007	U008	U009	U010	U011	U012	U013	U014	U015	U016	U017	U018
------	------	------	------	------	------	------	------	------	------	------	------	------	------	------	------	------	------

U014\_S003  
DRIVE UNIT:PAPER FEED:ASS'Y

60.D2021195  
PULLEY:GRIP:NO.2



44.D0E31399  
DRIVE UNIT:PAPE  
R FEED:ASS'Y

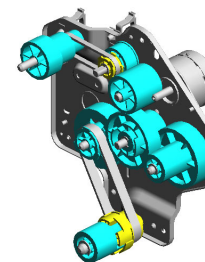
U001	U002	U003	U004	U005	U006	U007	U008	U009	U010	U011	U012	U013	U014	U015	U016	U017	U018
------	------	------	------	------	------	------	------	------	------	------	------	------	------	------	------	------	------



U014\_S004

DRIVE UNIT:FUSING/PAPER EXIT UNIT:ASS'Y

- 35.D0894465 SYNCHRONOUS B ELT:S2M:136
- 16.11050763 (x2) CLAMP:LWS-1211A
- 27.AA082195 (x2) PLAIN SHAFT BEARING:DIA6XDIA10X6
- 54.D1491397 TORQUE LIMITER MECHANICAL CLUTCH:49MNM:DIA14
- 30.AX060507 DC MOTOR:ENCODER:NO:10W:GEAR:(M2/M4/M5/M6)



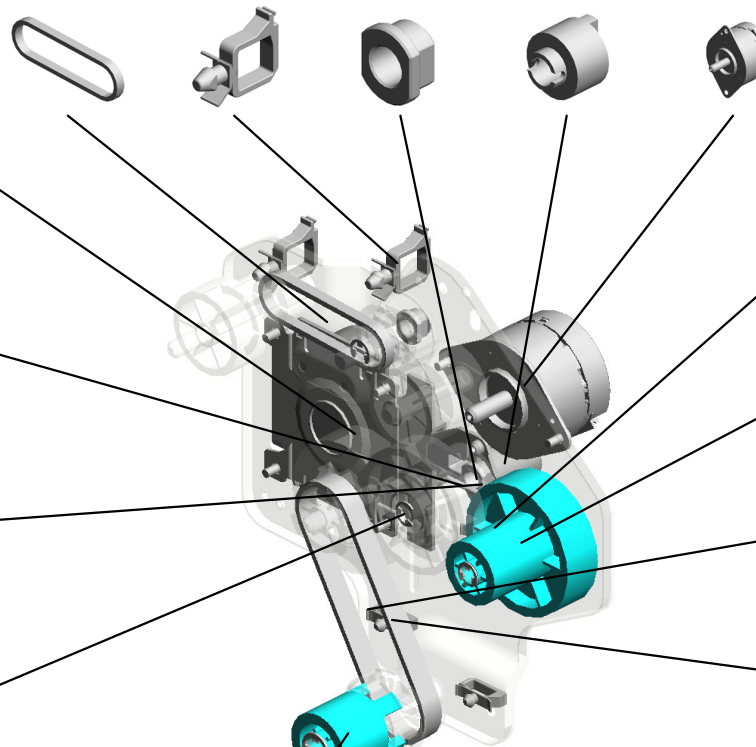
43.D0E31358  
DRIVE UNIT:FUSING/PAPER EXIT UNIT:ASSY

33.AX061222  
DC BRUSHLESS MOTOR:25W:NID:FUSING UNIT:(M8)

10.06320140G  
PARALLEL PIN

63.D2411396  
HOLDER:TORQUE LIMITER MECHANICAL CLUTCH:PRESSURE RELEASE

11.07200040E  
(x5)  
RETAINING RING - M4



2.03603006N  
(x7)  
SCREW - M3X6

55.D1751377  
GEAR:PRESSURE RELEASE:NO.3

21.AA043777  
SYNCHRONOUS B ELT:80S3M213

15.11050760  
(x3)  
CLAMP:LWSM-0511A

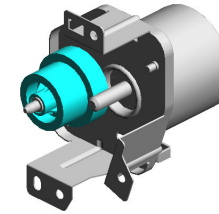
12.07200060E  
RETAINING RING - M6

62.D2411378  
GEAR:FUSING:NO.3

U001	U002	U003	U004	U005	U006	U007	U008	U009	U010	U011	U012	U013	U014	U015	U016	U017	U018
------	------	------	------	------	------	------	------	------	------	------	------	------	------	------	------	------	------

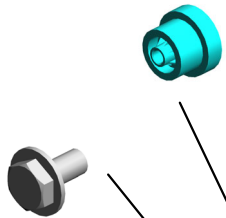
U014\_S005  
 DRIVE UNIT:REGISTRATION:ASS'Y

50.D1491355 49.D1491352  
 GEAR:REGISTRATI BRACKET:DRIVE U  
 ON:NO.1 NIT:REGISTRATIO  
 N:ASS'Y



48.D1491351  
 DRIVE UNIT:REGIS  
 TRATION:ASS'Y

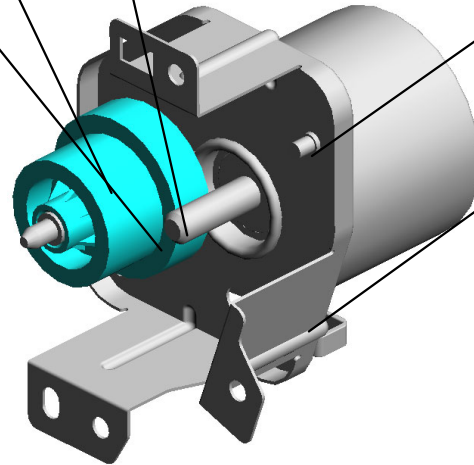
2.03603006N  
 (x2)  
 SCREW - M3X6



29.AX060435  
 DC MOTOR:GEAR:  
 10W:BRUSHLESS:(  
 M7)



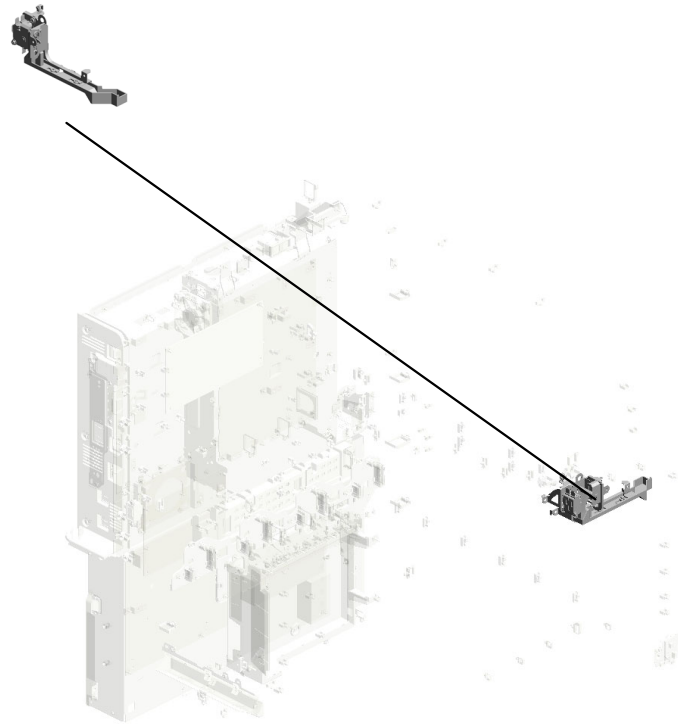
14.11050759  
 CLAMP:LWSM-060  
 5A



U001	U002	U003	U004	U005	U006	U007	U008	U009	U010	U011	U012	U013	U014	U015	U016	U017	U018
------	------	------	------	------	------	------	------	------	------	------	------	------	------	------	------	------	------

# U015.ELECTRICAL

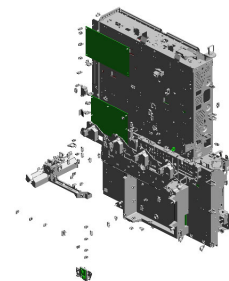
U015 S001  
D0BQR041  
SAFETY SWITCH:ASS'Y



U001	U002	U003	U004	U005	U006	U007	U008	U009	U010	U011	U012	U013	U014	U015	U016	U017	U018
------	------	------	------	------	------	------	------	------	------	------	------	------	------	------	------	------	------

# U015 ELECTRICAL

- 10.04543020Q (x2) TAPPING SCREW:: 3X20
- 11.04583008N (x24) HEXAGON HEAD TAPPING SCREW:3 X8
- 14.11036266 CONNECTOR:16R G022-3218
- 21.11050726 CLAMPS:WES-221 7
- 2.03603006N (x2) SCREW - M3X6



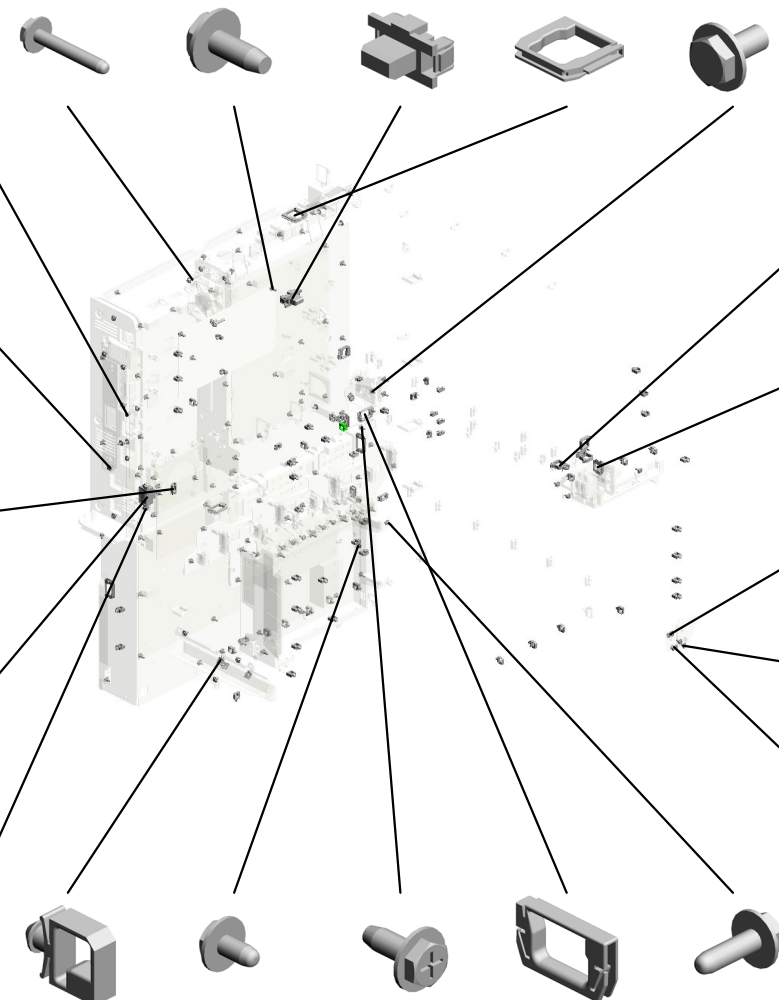
- 1.03530060N BIND SCREW - M3 X6

- 6.04543006N (x12) TAPPING SCREW: ROUND POINT:3X6

- 18.11050723 (x4) CLAMPS:WES-050 7

- 13.11036252 CONNECTOR:16R-GRM-DH3GB-RG-A

- 8.04543008Q (x4) TAPPING SCREW: 3X8

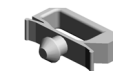


- 23.11050759 (x52) CLAMP:LWSM-060 5A
- 7.04543006Q (x49) TAPPING SCREW - M3X6
- 4.04513008N (x14) TAPPING SCREW - M3X8
- 20.11050725 (x4) CLAMPS:WES-111 7
- 9.04543010Q (x5) TAPPING SCREW: 3X10

- 16.11050488 (x3) HARNESS CLAMP



- 15.11050046 HARNESS BAND



- 24.11050760 CLAMP:LWSM-051 1A

- 19.11050724 (x3) CLAMPS:WES-121 0

- 17.11050692 (x5) CLAMP:LES-0503

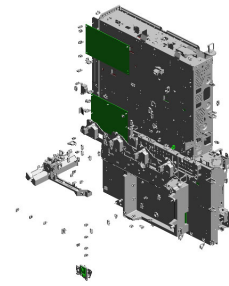
- 3.04513006N (x27) TAPPING SCREW - 3X6

- 22.11050758 (x9) CLAMP:LWSM-030 6A

- 11.04583008N (x 5) HEXAGON HEAD TAPPING SCREW:3X 8

# U015 ELECTRICAL

- 36.AX640236 FAN:MM60X15:(FAN4/FAN7)
- 39.AZ320239 POWER PACK:TTS:L:(PCB16)
- 47.D0C95150 PCB:SMB:SERVICE
- 43.D0BQ5802 GUIDE:HARNES:RACK
- 30.16072525 FERRITE CORE:K3 FF 35.00X14.60X7.70X1.40



48.D0E05761  
(CHN):(IM C3010/G S4030c);PCB:CTL:SERVICE:(PCB11)



49.D0E05762  
(CHN):(IM C3510);PCB:CTL:SERVICE:(PCB11)



41.D0895887  
PANEL:INTERFACE



50.D0E09591  
NVRAM



25.11050762  
(x17)  
CLAMP:LWS-0711A



26.11050764  
(x8)  
CLAMP:LWS-1316A



27.11050765  
(x8)  
CLAMP:LWS-2218A



33.AA143592  
SCREW- M4X6



38.AZ320233  
POWER PACK:CB:H:(PCB19)



42.D0A45122  
PCB:DCSW:(SW4)



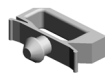
35.AA161167  
(x4)  
BUSHING:HDD



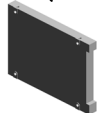
34.AA143848  
(x4)  
STEPPED SCREW - M3



24.11050760  
(x37)  
CLAMP:LWSM-051A



29.14078925  
ROM STORAGE:SSD SATA 256GB GEN2



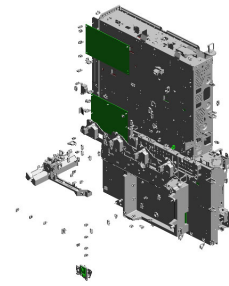
37.AZ240400  
(EU/AA/IND):DC POWER SUPPLY:(PCB8)



U001	U002	U003	U004	U005	U006	U007	U008	U009	U010	U011	U012	U013	U014	U015	U016	U017	U018
------	------	------	------	------	------	------	------	------	------	------	------	------	------	------	------	------	------

# U015 ELECTRICAL

53.D0E1R481 (CHN):COVER:OUTER:WIFI:OPTION  
 63.D0E35824 COVER:SD-CARD  
 61.D0E35816 STAY:RACK:LOWER  
 51.D0E15114 BICU:ASS'Y:(PCB10)  
 59.D0E35810 BRACKET:RACK:UPPER



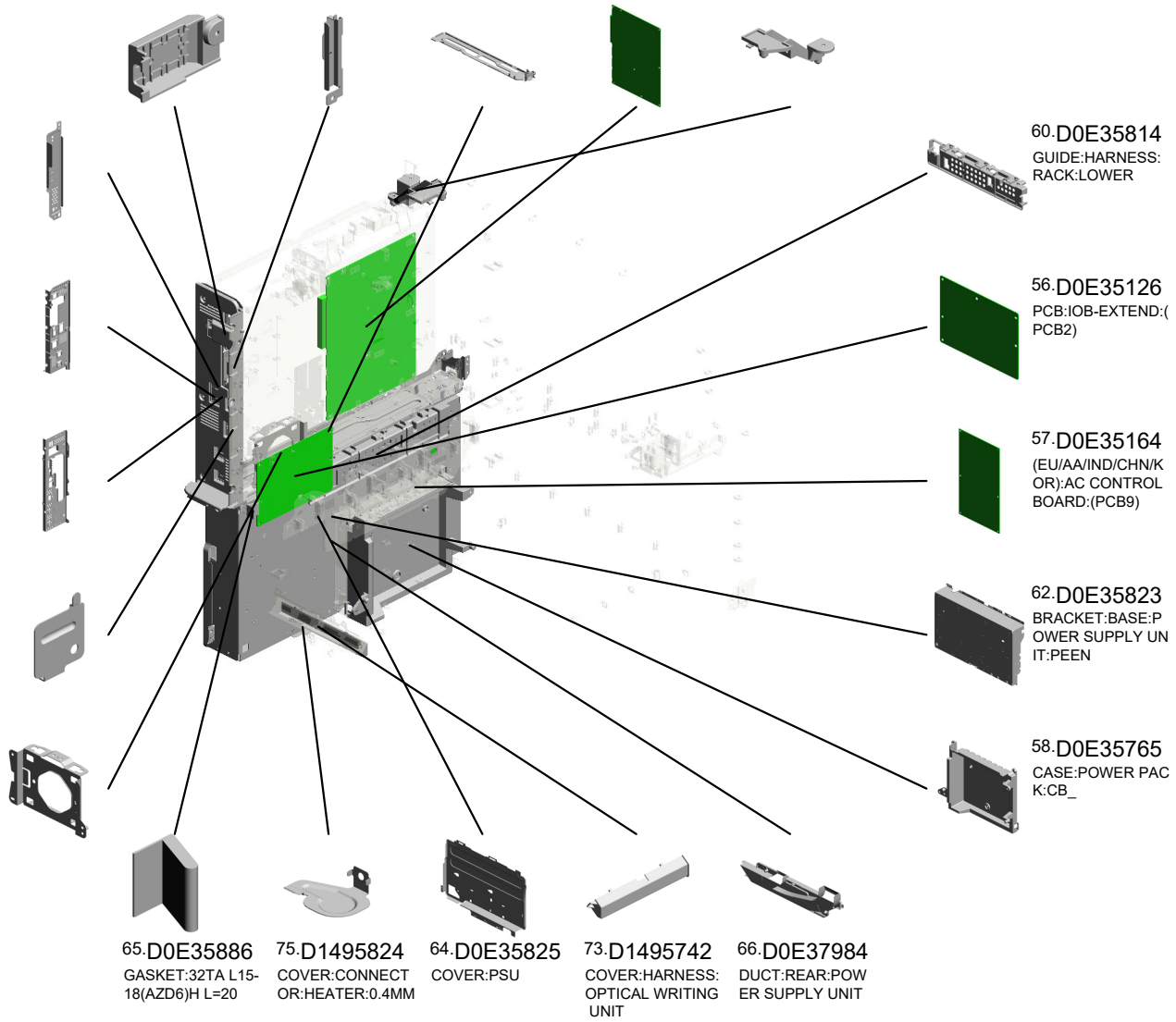
52.D0E15868  
COVER:FIX

54.D0E1R484  
(CHN):COVER:INTERFACE:WIFI:OPTION

55.D0E1R485  
(CHN):PANEL:CONTROL BOARD:WIFI:OPTION

74.D1495776  
COVER:USB:SMALL

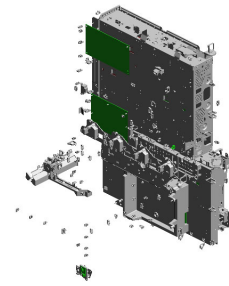
68.D1465786  
BRACKET:HDD



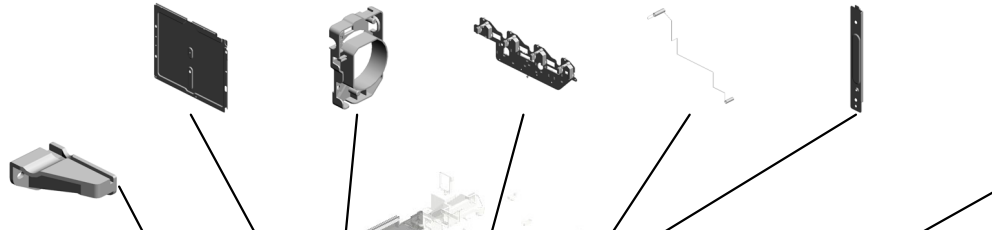
U001	U002	U003	U004	U005	U006	U007	U008	U009	U010	U011	U012	U013	U014	U015	U016	U017	U018
------	------	------	------	------	------	------	------	------	------	------	------	------	------	------	------	------	------

# U015 ELECTRICAL

80.D2415801 COVER:RACK:REA  
R  
81.D2415803 GUIDE:HARNESS:  
C/T BOX  
84.D2415841 BASE:GUIDE:WIRE  
90.D2415854 WIRE:CHARGE:M  
79.D2415800 RACK:RIGHT:AUXILIARY



76.D2395889  
RAIL:FAX



85.D2415842  
COVER:GUIDE:WIRE

91.D2415855  
WIRE:DEVELOPMENT:M

92.D2415856  
WIRE:CHARGE:Y

93.D2415857  
WIRE:DEVELOPMENT:Y

78.D2415764  
COVER:POWER PACK:CB

95.D2415876  
WIRE:DEVELOPMENT:CB:K

89.D2415853  
WIRE:DEVELOPMENT:NT:C

88.D2415852  
WIRE:CHARGE:C

94.D2415875  
(x4)  
WIRE:CHARGE:CB

82.D2415831  
(x4)  
CAP:GUIDE:WIRE

83.D2415832  
(x4)  
CAP:GUIDE:COIL SPRING

86.D2415850  
WIRE:CHARGE:K

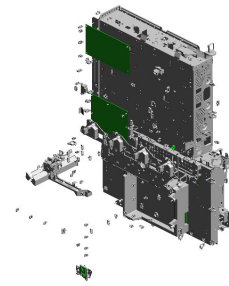
87.D2415851  
WIRE:DEVELOPMENT:K

77.D2415738  
BRACKET:MAIN SWITCH

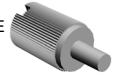
U001	U002	U003	U004	U005	U006	U007	U008	U009	U010	U011	U012	U013	U014	U015	U016	U017	U018
------	------	------	------	------	------	------	------	------	------	------	------	------	------	------	------	------	------

# U015 ELECTRICAL

98.D2415879  
WIRE:DEVELOPME  
NT:CB:Y



99.G1045141  
(CHN):KNOB SCRE  
W:M3



97.D2415878  
WIRE:DEVELOPME  
NT:CB:M



96.D2415877  
WIRE:DEVELOPME  
NT:CB:C

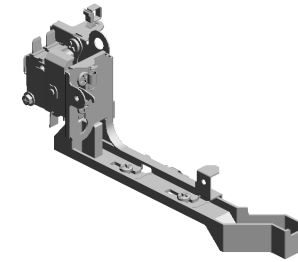


U001	U002	U003	U004	U005	U006	U007	U008	U009	U010	U011	U012	U013	U014	U015	U016	U017	U018
------	------	------	------	------	------	------	------	------	------	------	------	------	------	------	------	------	------



U015\_S001  
SAFETY SWITCH:ASS'Y

28.12042612 (x2) MICRO SWITCH:D3 V-16506-3C25:(SW 2)  
 40.B2231317 (x3) SCREW  
 32.AA061128 TENSION SPRING: SAFETY SWITCH:R IGH  
 23.11050759 CLAMP:LWSM-060 5A

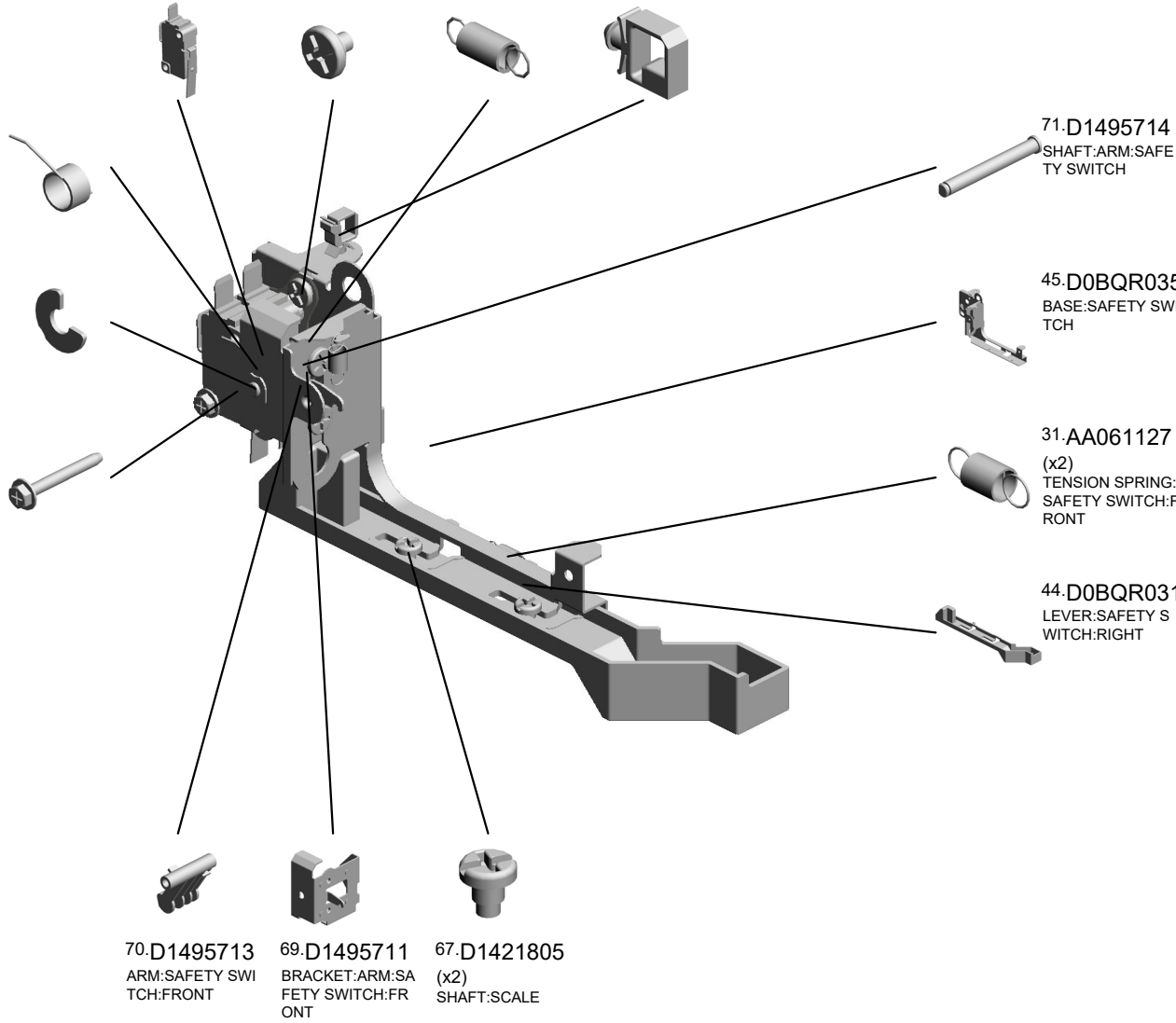


46.D0BQR041 SAFETY SWITCH:ASS'Y

72.D1495718 TORSION SPRING: SAFETY SWITCH

12.08050103 RETAINING RINGS -E:SILENCER:DIA3

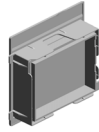
5.04513025N TAPPING SCREW: M3X25



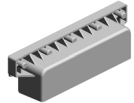
U001	U002	U003	U004	U005	U006	U007	U008	U009	U010	U011	U012	U013	U014	U015	U016	U017	U018
------	------	------	------	------	------	------	------	------	------	------	------	------	------	------	------	------	------

# U016.MAIN FRAME

U016 S003  
D0E37935  
CAP:FILTER:ASS'Y



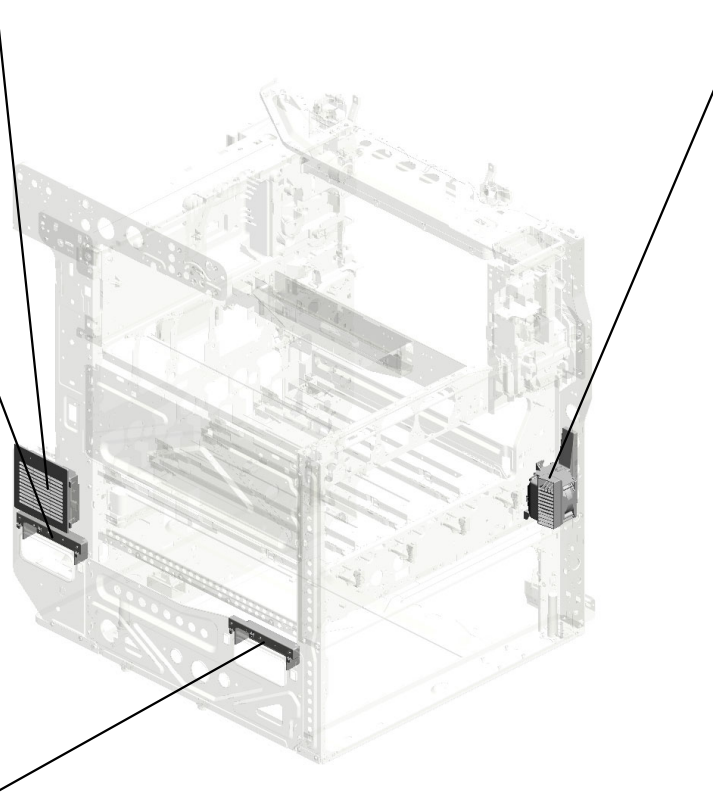
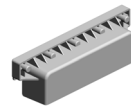
U016 S002  
D0E31099  
COVER:GRIP:LEFT



U016 S004  
D0E37920  
COVER:FAN:DEVELOPMENT  
:RIGHT:ASS'Y

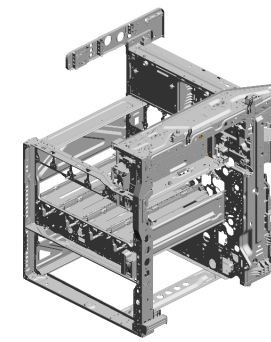


U016 S001  
D0E31099  
COVER:GRIP:LEFT



U001	U002	U003	U004	U005	U006	U007	U008	U009	U010	U011	U012	U013	U014	U015	U016	U017	U018
------	------	------	------	------	------	------	------	------	------	------	------	------	------	------	------	------	------

# U016 MAIN FRAME



- 12.11024559 (x2) CONNECTOR - 3P
- 10.08025299 TAPPING SCREW - M3X8
- 18.AX640257 (x2) DC FAN MOTOR:M M80X25:(FAN1/FAN5)
- 6.04533008N BINDING SELF TAPPING SCREW:3X8
- 15.AA080346 (x2) BUSHING:FLANGE TYPE:DIA6

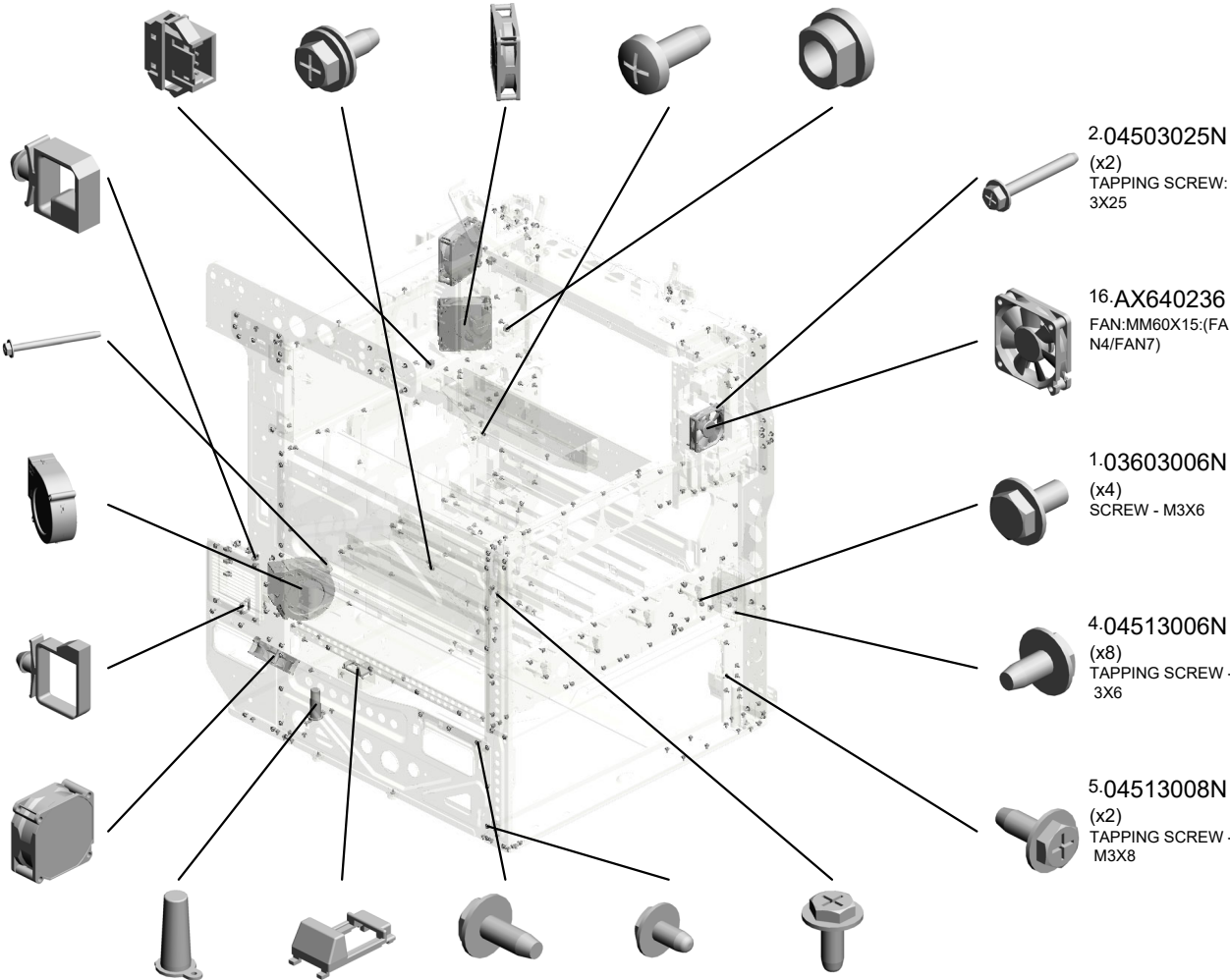
- 13.11050759 (x7) CLAMP:LWSM-060 5A

- 11.08025328 (x2) HEXAGON HEAD TAPPING SCREW:3 X40

- 19.AX650065 DC FAN MOTOR:SI ROCCO:DC24V:PWM:(FAN3)

- 14.11050764 CLAMP:LWS-1316A

- 17.AX640256 DC FAN MOTOR:A XIAL:MM60:25MM:(FAN2/FAN6)



- 21.B2381089 COVER - POSITIONING PIN
- 20.B2381088 COVER - CONNECTOR
- 9.04583008N (x65) HEXAGON HEAD TAPPING SCREW:3 X8
- 7.04543006Q (x222) TAPPING SCREW - M3X6
- 8.04543008Q (x16) TAPPING SCREW: 3X8

- 2.04503025N (x2) TAPPING SCREW: 3X25

- 16.AX640236 (x2) FAN:MM60X15:(FAN4/FAN7)

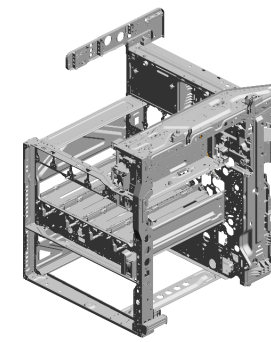
- 1.03603006N (x4) SCREW - M3X6

- 4.04513006N (x8) TAPPING SCREW - 3X6

- 5.04513008N (x2) TAPPING SCREW - M3X8

U001	U002	U003	U004	U005	U006	U007	U008	U009	U010	U011	U012	U013	U014	U015	U016	U017	U018
------	------	------	------	------	------	------	------	------	------	------	------	------	------	------	------	------	------

# U016 MAIN FRAME



- 36.D1477951 DUCT:SUPPLY:A
- 37.D1477952 DUCT:SUPPLY:B
- 46.D1497955 DUCT:SUPPLY:FAN:UPPER
- 47.D1497956 DUCT:SUPPLY:FAN:LOWER
- 49.D2417941 DUCT:EXHAUST:UPPER:A

38.D1477956  
DUCT:EXHAUST:DRIVE:A

35.D1175303  
THERMISTOR:(S33)

39.D1477957  
DUCT:EXHAUST:DRIVE:B

48.D1497986  
GUIDE:THERMISTOR

33.D0E37983  
BRACKET:FAN:POWER SUPPLY UNIT

32.D0E37982  
DUCT:POWER SUPPLY UNIT

34.D0E37985  
SEAL:RAIL:PCU:Y

44.D1497932  
DUCT:PCU:EXHAUST

26.D0E31343  
RAIL:PCU:M

25.D0E31342  
RAIL:PCU:C

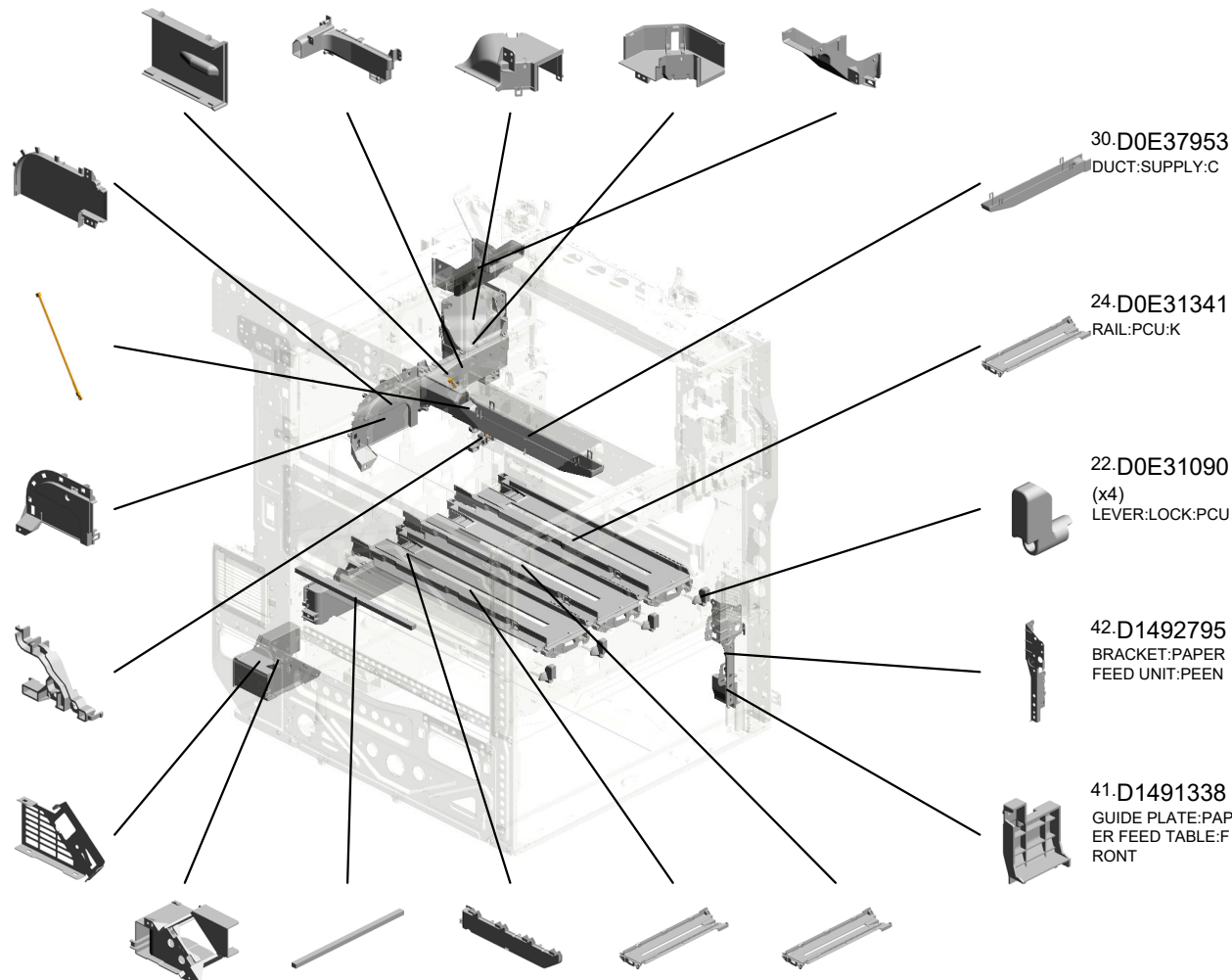
30.D0E37953  
DUCT:SUPPLY:C

24.D0E31341  
RAIL:PCU:K

22.D0E31090  
(x4)  
LEVER:LOCK:PCU

42.D1492795  
BRACKET:PAPER FEED UNIT:PEEN

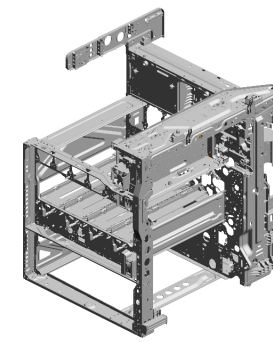
41.D1491338  
GUIDE PLATE:PAPER FEED TABLE:FRONT



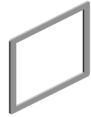
U001	U002	U003	U004	U005	U006	U007	U008	U009	U010	U011	U012	U013	U014	U015	U016	U017	U018
------	------	------	------	------	------	------	------	------	------	------	------	------	------	------	------	------	------

# U016 MAIN FRAME

59.M0AJ7992 DUCT:DEVELOPM ENT:EXHAUST:B  
 63.M0BW7945 DEODORIZE FILTE R  
 50.D2417942 DUCT:EXHAUST:U PPER:B  
 55.GA003969 (x2) DECAL:POSITIONI NG DISPLAY:FUSI NG UNIT:MAIN



61.M0AJ7994 SEAL:CAP:FILTER



60.M0AJ7993 DUCT:DEVELOPM ENT:EXHAUST:C



62.M0AJ7995 SEAL:DUCT:DEVEL OPMENT:EXHAUS T



51.D2417943 DUCT:EXHAUST:U PPER:C



52.D2417944 DUCT:EXHAUST:U PPER:D



57.M0AJ1093 (x4) COMPRESSION SP RING:LOCK:PCU



56.M0AJ1092 (x4) CAM:LOCK:PCU



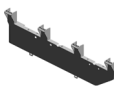
58.M0AJ7991 DUCT:DEVELOPM ENT:EXHAUST:A



54.D2417984 DUCT:DEVELOPM ENT:REAR:B



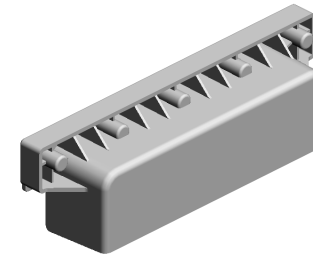
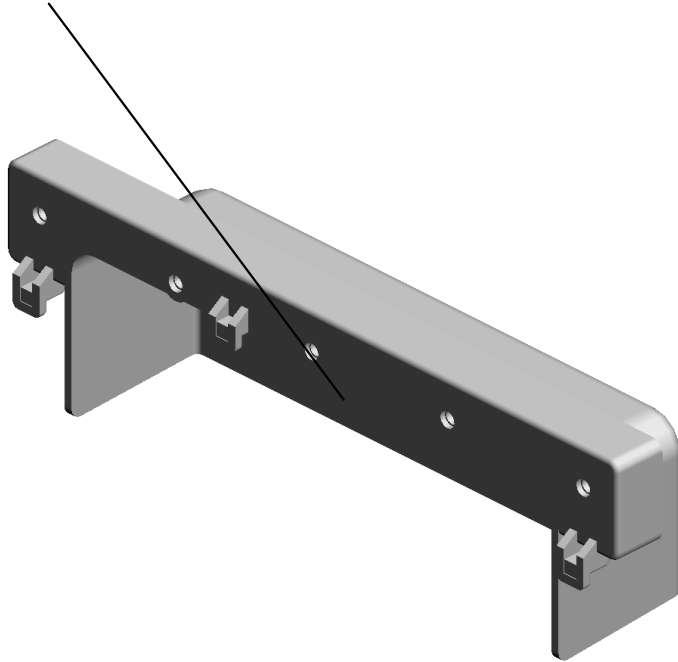
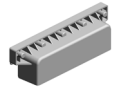
53.D2417983 DUCT:DEVELOPM ENT:REAR:A



U001	U002	U003	U004	U005	U006	U007	U008	U009	U010	U011	U012	U013	U014	U015	U016	U017	U018
------	------	------	------	------	------	------	------	------	------	------	------	------	------	------	------	------	------

U016\_S001  
COVER:GRIP:LEFT

40.D1491099  
COVER:GRIP:LEFT

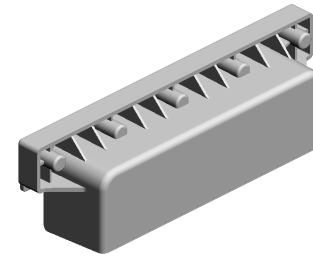
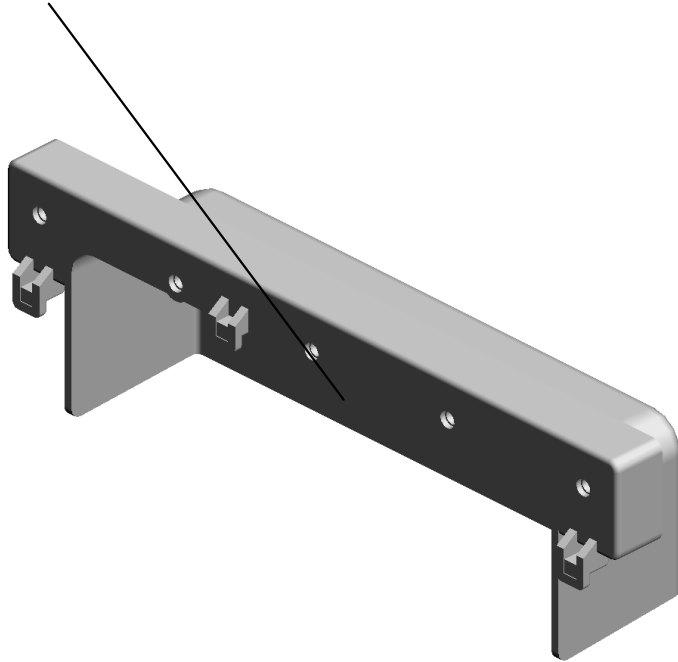
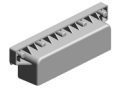


23.D0E31099  
COVER:GRIP:LEFT

U001	U002	U003	U004	U005	U006	U007	U008	U009	U010	U011	U012	U013	U014	U015	U016	U017	U018
------	------	------	------	------	------	------	------	------	------	------	------	------	------	------	------	------	------

U016\_S002  
COVER:GRIP:LEFT

40.D1491099  
COVER:GRIP:LEFT

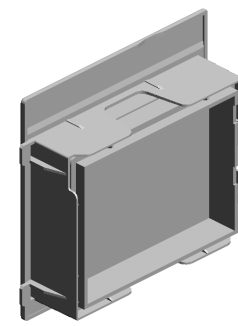
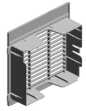


23.D0E31099  
COVER:GRIP:LEFT

U001	U002	U003	U004	U005	U006	U007	U008	U009	U010	U011	U012	U013	U014	U015	U016	U017	U018
------	------	------	------	------	------	------	------	------	------	------	------	------	------	------	------	------	------

U016\_S003  
CAP:FILTER:ASS'Y

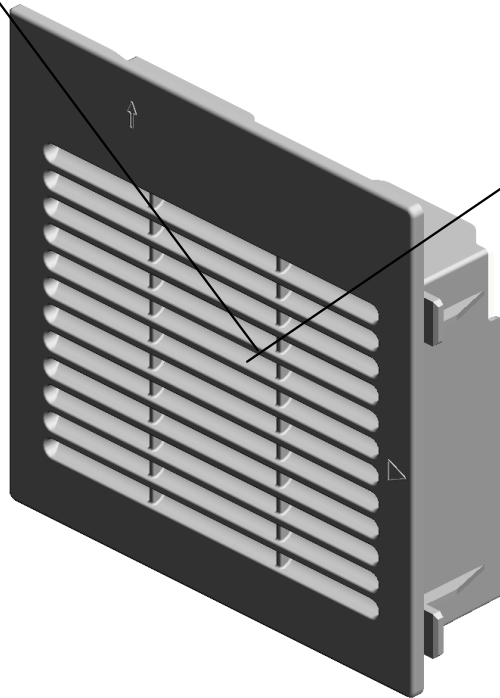
29.D0E37936  
CAP:LOUVER:FILTER  
ER:LEFT



28.D0E37935  
CAP:FILTER:ASS'Y



45.D1497938  
OZONE FILTER

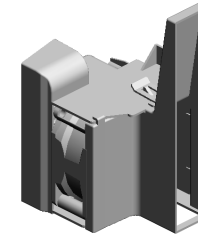


U001	U002	U003	U004	U005	U006	U007	U008	U009	U010	U011	U012	U013	U014	U015	U016	U017	U018
------	------	------	------	------	------	------	------	------	------	------	------	------	------	------	------	------	------



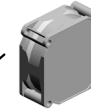
U016\_S004  
COVER:FAN:DEVELOPMENT:RIGHT:ASS'Y

43.D1497923  
DUCT:DEVELOPM  
ENT:RIGHT LOWE  
R

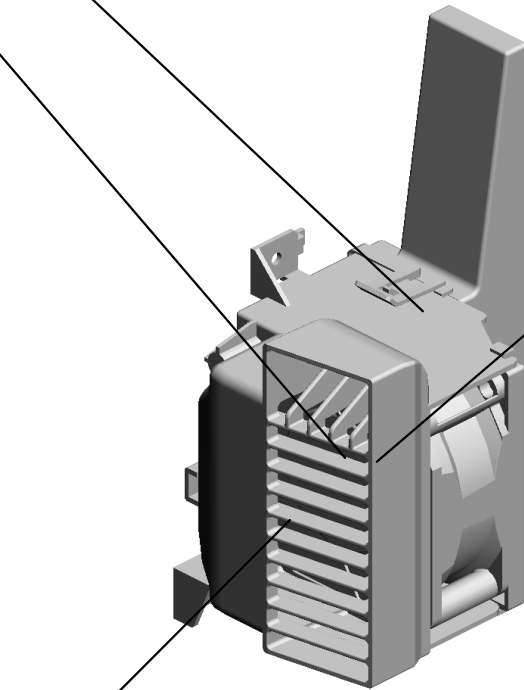


27.D0E37920  
COVER:FAN:DEVE  
LOPMENT:RIGHT:A  
SS'Y

31.D0E37968  
COVER:FAN:DEVE  
LOPMENT:RIGHT L  
OWER



17.AX640256  
DC FAN MOTOR:A  
XIAL:MM60:25MM:(  
FAN2/FAN6)



3.04503035N  
(x2)  
TAPPING SCREW:  
3X35

U001	U002	U003	U004	U005	U006	U007	U008	U009	U010	U011	U012	U013	U014	U015	U016	U017	U018
------	------	------	------	------	------	------	------	------	------	------	------	------	------	------	------	------	------

# U017 ACCESSORIES

8.D0E36844  
(GS4030c):PLATE:  
MODEL NAME PLA  
TE:GS4030C

GS4030c

15.D0E36870  
(IM C3010):PLATE:  
MODEL NAME PLA  
TE:C3010

IM C3010

16.D0E36871  
(IM C3510):PLATE:  
MODEL NAME PLA  
TE:C3510

IM C3510

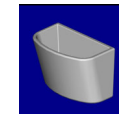
9.D0E36852  
(x3)  
(EU/TWN/CHN):DE  
CAL:MAIN SWITCH  
:ON-STANDBY



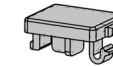
1.08050103  
(x3)  
RETAINING RINGS  
-E:SILENCER:DIA3



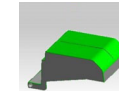
3.B0651374  
(x3)  
CLOTH - DF EXPO  
SURE GLASS



4.D0E31331  
(x3)  
HOLDER:GLASS:C  
LEANER:ASS'Y



5.D0E31788  
(x6)  
CAP:COVER:POSIT  
IONING



6.D0E34474  
(x3)  
END FENCE:TRAY:  
EXIT



7.D0E36767  
(x3)  
(CHN):DECAL:CAU  
TION:ORIGINAL:CH  
INESE



10.D0E36857  
(x3)  
(CHN):DECAL:INKJ  
ET:TRAY:NO.1



11.D0E36858  
(x3)  
(CHN):DECAL:INKJ  
ET:PAPER FEED

U001	U002	U003	U004	U005	U006	U007	U008	U009	U010	U011	U012	U013	U014	U015	U016	U017	U018
------	------	------	------	------	------	------	------	------	------	------	------	------	------	------	------	------	------

U017  
ACCESSORIES



12.D0E36863  
(x3)  
(CHN);DECAL:INKJ  
ET:MANUAL FEED

13.D0E36864  
(x2)  
(IM C3010/C3510);P  
LATE:LOGOTYPE:  
RIC



14.D0E36865  
(GS4030c);PLATE:L  
OGOTYPE:GESTE  
TNER

17.D0E36902  
(x3)  
DECAL:SIZE INDIC  
ATION:PAPER TRA  
Y



18.D1494474  
(x3)  
LINK:END FENCE:T  
RAY:EXIT

19.D1771302  
(x3)  
CLEANER:SHIELD  
GLASS:ASS'Y

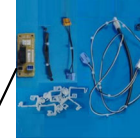
2. 11500509 (x 3)  
(CHN);POWER SUPPLY CORD:250V:10  
A

# U018.HEATER

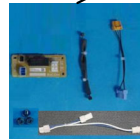
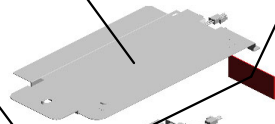
U018 S001  
D3G32202  
(EU/AA/IND/CHN/KOR):HEAT  
ER:PHOTOCONDUCTOR:AS  
SY



U018 S003  
D0CH2542  
(EU/AA/IND/CHN/KOR):HEAT  
ER:DEHUMIDIFIER:ASSY



U018 S002  
D3G36650  
(EU/AA/IND/CHN/KOR):ELEC  
TRICAL COMPONENTS SEC  
TION:SCANNER 200V:ASSY

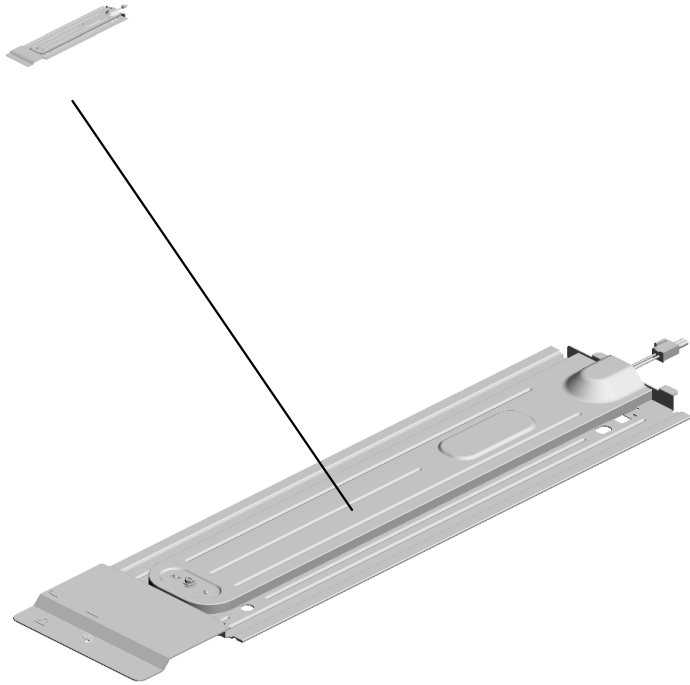


U018 S004  
D3G36662  
(EU/AA/IND/CHN/KOR):ELEC  
TRICAL COMPONENTS SEC  
TION:PAPER TRAY 200V:ASS  
Y

U001	U002	U003	U004	U005	U006	U007	U008	U009	U010	U011	U012	U013	U014	U015	U016	U017	U018
------	------	------	------	------	------	------	------	------	------	------	------	------	------	------	------	------	------

# U018\_S003.(EU/AA/IND/CHN/KOR):HEATER:DEHUMIDIFIER:ASS'Y

U018 S003 S001  
D0CH2892  
EU/AA/IND/CHN/KOR:HEAT SI  
NK:HEATER:ASS'Y:(H1)



U001	U002	U003	U004	U005	U006	U007	U008	U009	U010	U011	U012	U013	U014	U015	U016	U017	U018
------	------	------	------	------	------	------	------	------	------	------	------	------	------	------	------	------	------

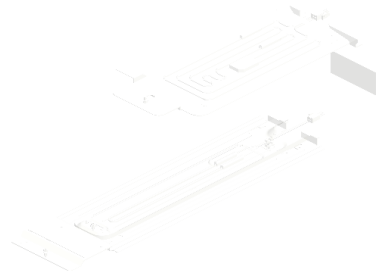
# U018 HEATER

13:D2411797 7:AX400250  
COVER:HEATER:SCANNER  
iEU/AA/IND/CHN/KO  
R):HEATER:230V:9  
W:THERMOFUSE:(  
H3)

12:D2411796  
BRACKET:HEATER:SCANNER

4.09544008N  
SCREW - M4X8

1.03530030N  
(x2)  
SCREW:M3X3



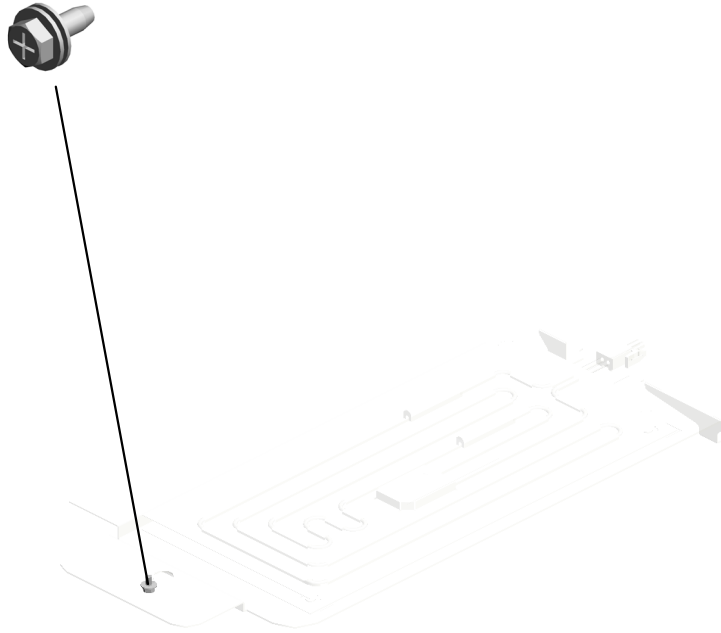
U001	U002	U003	U004	U005	U006	U007	U008	U009	U010	U011	U012	U013	U014	U015	U016	U017	U018
------	------	------	------	------	------	------	------	------	------	------	------	------	------	------	------	------	------

U018\_S001  
(EU/AA/IND/CHN/KOR):HEATER:PHOTOCONDUCTOR:ASS'Y

3.08025299  
TAPPING SCREW -  
M3X8



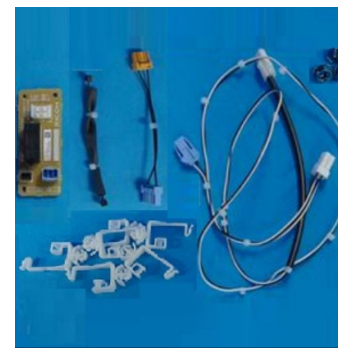
15.D3G32202  
(EU/AA/IND/CHN/K  
OR):HEATER:PHO  
TOCONDUCTOR:A  
SS'Y



U001	U002	U003	U004	U005	U006	U007	U008	U009	U010	U011	U012	U013	U014	U015	U016	U017	U018
------	------	------	------	------	------	------	------	------	------	------	------	------	------	------	------	------	------

U018\_S002

(EU/AA/IND/CHN/KOR):ELECTRICAL COMPONENTS SECTION:SCANNER 200V:ASS'Y



16.D3G36650  
(EU/AA/IND/CHN/KOR):ELECTRICAL COMPONENTS SECTION:SCANNER 200V:ASS'Y



6.11050759  
(x6)  
CLAMP:LWSM-060  
5A

2.04543006Q(x 3)  
TAPPING SCREW - M3X6

U001	U002	U003	U004	U005	U006	U007	U008	U009	U010	U011	U012	U013	U014	U015	U016	U017	U018
------	------	------	------	------	------	------	------	------	------	------	------	------	------	------	------	------	------



U018\_S003  
(EU/AA/IND/CHN/KOR):HEATER:DEHUMIDIFIER:ASS'Y

3-08025299  
TAPPING SCREW -  
M3X8



8:D0CH2542  
(EU/AA/IND/CHN/K  
OR):HEATER:DEH  
UMIDIFIER:ASS'Y



U001	U002	U003	U004	U005	U006	U007	U008	U009	U010	U011	U012	U013	U014	U015	U016	U017	U018
------	------	------	------	------	------	------	------	------	------	------	------	------	------	------	------	------	------

U018\_S003\_S001  
 iEU/AA/IND/CHN/KOR):HEAT SINK:HEATER:ASS'Y:(H1)

3.08025299 11.D1492899  
 TAPPING SCREW - HEAT SINK:HEATE  
 M3X8 R



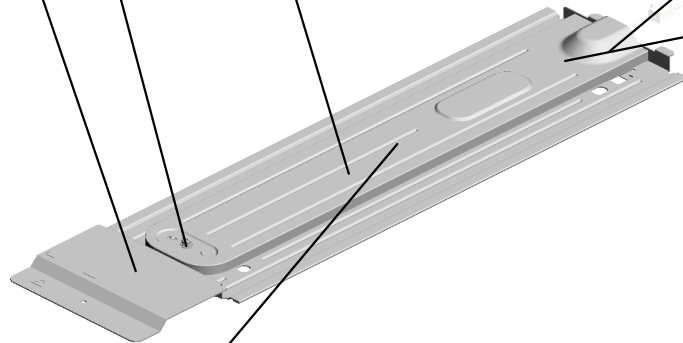
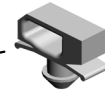
9.D0CH2892  
 iEU/AA/IND/CHN/KO  
 R);HEAT SINK:HEA  
 TER:ASS'Y:(H1)

18.M0262734  
 DECAL:H-TEMP W  
 ARNING:HEATER



14.D2412896  
 SHEET:HEAT SINK:  
 HEATER

5.11050758  
 (x2)  
 CLAMP:LWSM-030  
 6A



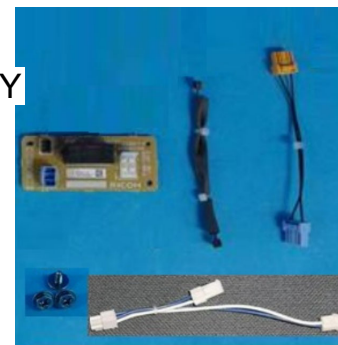
10.D1492898  
 COVER:HEATER:P  
 APER TRAY



U001	U002	U003	U004	U005	U006	U007	U008	U009	U010	U011	U012	U013	U014	U015	U016	U017	U018
------	------	------	------	------	------	------	------	------	------	------	------	------	------	------	------	------	------

U018\_S004

(EU/AA/IND/CHN/KOR):ELECTRICAL COMPONENTS SECTION:PAPER TRAY 200V:ASS'Y



17.D3G36662  
(EU/AA/IND/CHN/KOR):ELECTRICAL COMPONENTS SECTION:PAPER TRAY 200V:ASS'Y

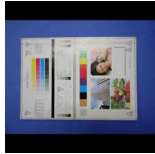
2.04543006Q(x 3)  
TAPPING SCREW - M3X6

U001	U002	U003	U004	U005	U006	U007	U008	U009	U010	U011	U012	U013	U014	U015	U016	U017	U018
------	------	------	------	------	------	------	------	------	------	------	------	------	------	------	------	------	------

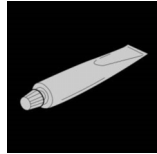
## SPECIAL TOOLS



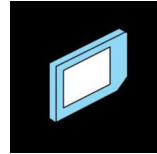
1.52039502  
Silicone Grease G-501



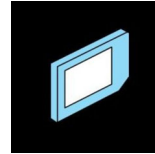
2.A0929503  
C4 COLOR TEST CHART (3 PCS/SET)  
)?



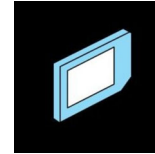
3.A2579300  
Grease Barrierta - S552R (Heat-resistant grease)



4.B6455030  
SD Card 2GB



5.B6455040  
SD Card 8GB



6.B6455060  
SD Card 16GB



7.C4019503  
20~ Magnification Scope



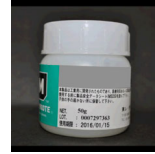
8.M0B19500  
USB 3.0 CARD READER



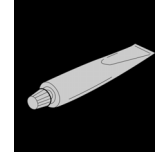
9.VSSG0006  
DRYSURF:MDF-2400E 25G



10.VSSG9002  
FLUOTRIBO MG GREASE: 100G



11.VSSG9006  
MOLYKOTE(R) G-1077 GREASE 50G  
(Noise-reduction grease)



12.VSSG9008  
FLOIL-G348 GREASE 20G



13.VSST9003  
C-5Y COLOR TEST CHART (2 SHEET  
S X 3 / set)?

## Exclusive Parts

Number	Part Name	Group	ID
52039502	Silicone Grease G-501	SPECIAL TOOLS	1
52062686	SNAP RING	U001_S003	5
52152621	SNAP RING - M6	U009	7
		U013	18
54472681	SNAP RING	U009	8
		U013	19
A0929503	C4 COLOR TEST CHART (3 PCS/SET)?	SPECIAL TOOLS	2
A2324666	CUSHION - STEPPER MOTOR	U012_S001	11
A2501752	EXPOSURE GLASS	U003	18
A2579300	Grease Barrierta - S552R (Heat-resistant grease)	SPECIAL TOOLS	3
A6283112	SHIELDING SHEET	U003_S002	19
AA021031	MAGNETIC CATCH	U001_S001	6
AA043000	SYNCHRONOUS BELT:40S3M192	U014_S003	18
AA043623	TIMING BELT - B40S2M180	U014_S003	19
AA043634	TIMING BELT - 40S2M296	U014_S001	20
AA043777	SYNCHRONOUS BELT:80S3M213	U014_S004	21
AA061127	TENSION SPRING:SAFETY SWITCH:FRONT	U015_S001	31
AA061128	TENSION SPRING:SAFETY SWITCH:RIGHT	U015_S001	32
AA061208	TENSION SPRING:STRIPPER PLATE	U011_S001	17
AA061211	TENSION SPRING:HOLDER:FUSING EXIT	U011_S001	18
AA063701	COMPRESSION SPRING:RISING TRAY	U005_S009	16
		U005_S010	16
AA063732	COMPRESSION SPRING:PRESSURE ROLLER	U011_S001	19
AA063942	COMPRESSION SPRING:REGISTRATION:DRIVE	U009	9
AA063943	COMPRESSION SPRING:GUIDE PLATE:REGISTRATION:4N	U009	10
AA080247	BUSHING - B-F6-3	U008_S001_S001	11
AA080252	BUSHING - M4	U012_S001	12
AA080346	BUSHING:FLANGE TYPE:DIA6	U009	11
		U010_S001	9

Number	Part Name	Group	ID
		U014_S003	22
		U016	15
AA080361	PLAIN SHAFT BEARING:CASE:RISING TRAY	U005_S009	17
		U005_S010	17
AA080387	PLAIN SHAFT BEARING:EXIT ROLLER:FUSING EXIT:RIGHT:FRONT	U011_S001	20
AA080388	PLAIN SHAFT BEARING:EXIT ROLLER:FUSING EXIT:RIGHT:REAR	U011_S001	21
AA082101	BUSHING - 6X10X6	U008	12
		U008_S001_S001	12
		U008_S001_S002_S001	12
		U008_S001_S002_S002	12
AA082144	BUSHING - 8X12X7	U009	12
AA082172	BUSHING:DIA6XDIA10X4:EG-1	U008_S001_S001	13
		U014_S001	23
AA082175	PLAIN SHAFT BEARING:8X12X7	U014_S001	24
AA082191	BUSHING:DIA6XDIA10X6:EG-1-J	U013_S001_S001	20
AA082193	PLAIN SHAFT BEARING:DIA4XDIA8X5	U012_S001	13
		U013_S001	21
		U013_S001_S001	21
		U014_S003	25
AA082194	BUSHING:DIA6XDIA10X4:EG-1J	U014_S003	26
AA082195	PLAIN SHAFT BEARING:DIA6XDIA10X6	U005	18
		U005_S001	18
		U005_S002	18
		U012_S001	14
		U013_S001	22
AA082196	BUSHING:DIA6XDIA10X9	U014_S004	27
		U005_S001	19
		U005_S001_S002	19
		U005_S002	19
AA082197	BUSHING:DIA8XDIA12X7:EG-1-J	U005	20
		U013_S001_S001	23
AA082198	BUSHING:DIA6XDIA10X9:EG-1-J	U013_S001_S001	23
AA083014	ONE-WAY CLUTCH	U013_S001	24
AA083018	ROLLER CLUTCH - 6X14X10	U013_S001	25

## Exclusive Parts

Number	Part Name	Group	ID
AA100014	RETAINING RING C - SEPARATE	U005_S001	21
		U005_S002	21
		U013_S001_S001	26
AA100016	RETAINING RINGS-C:DIA3	U011_S001	22
AA132208	SPACER - M6	U008_S001_S001	14
AA143219	STEPPED SCREW	U011	23
AA143537	SCREW:M3:BLACK	U001	7
		U003	20
AA143579	SCREW - M3	U013_S001_S001	27
AA143592	SCREW- M4X6	U015	33
AA143807	SCREW:A	U013_S001	28
AA143848	STEPPED SCREW - M3	U015	34
AA161167	BUSHING:HDD	U015	35
AB010157	GEAR:SEPARATE:DRIVEN	U013_S001_S001	29
AB011252	GEAR - 20Z	U013_S001_S001	30
AB011571	GEAR:Z19:DRIVE:REGISTRATION	U009	13
AB011572	GEAR:Z19:DRIVEN:REGISTRATIO N	U005	22
AB011573	GEAR:REGISTRATION:NO.2	U005	23
AB012099	GEAR:ON-OFF:PRESSURE ROLLE R	U011_S001	24
AB012107	GEAR:IDLER:EXIT:FUSING EXIT:1	U011_S001	25
AB012108	GEAR:IDLER:EXIT:FUSING EXIT:2	U011_S001	26
AB012109	GEAR:IDLER:EXIT:FUSING EXIT:3	U011_S001	27
AB012110	GEAR:EXIT ROLLER:FUSING EXIT: RIGHT	U011_S001	28
AB012111	GEAR:PRESSURE ROLLER:EXIT	U011_S001	29
AB012119	GEAR:PRESSURE ROLLER	U011_S001	30
AB012122	GEAR:IDLER:PRESSURE ROLLER	U011_S001	31
AB017782	GEAR:RISING TRAY:2	U005_S009	24
		U005_S010	24
AB017783	GEAR:RISING TRAY:3	U005_S009	25
		U005_S010	25
AE020282	PRESSURE ROLLER:DIA32	U011_S001	32
AE030074	BALL BEARING:DIA17XDIA26X5	U011_S001	33
AF013019	PAD:TRAY BOTTOM PLATE	U005_S005	26
		U005_S006	26
AF013020	PAD:TRAY BOTTOM PLATE	U013_S001_S002	31

Number	Part Name	Group	ID
		S001	
AF030049	PICK-UP ROLLER	U013_S001_S001	32
AF030094	PAPER FEED ROLLER:PICKUP	U005_S001	27
		U005_S002	27
AF031046	FEED ROLLER - MANUAL FEED	U013_S001_S001	33
AF031185	PAPER FEED ROLLER:FEED	U005_S001	28
		U005_S002	28
AF032046	SEPARATION ROLLER - MANUAL FEED	U013_S001_S001	34
AF032102	PAPER FEED ROLLER:SEPARATE	U005_S001	29
		U005_S002	29
AF040571	GUIDE ROLLER	U012_S001	15
AG070513	MAGNET CATCH	U001	8
AG070514	MAGNET CATCH	U010	10
AW010147	PHOTO REFLECTION SENSOR:(S1 /S27)	U009_S002	14
		U012_S001	16
AW010155	ORIGINAL SENSOR:66MM:3.3V:(S4 4/S45)	U003	21
AW020190	PHOTOINTERRUPTOR:(S26)	U011	34
AW020234	PHOTOINTERRUPTOR:GP1A173L CS5F:(S5/S6/S8/S11/S13/S15/S23/ S25/S32)	U005_S001	30
		U005_S002	30
		U008	15
		U012_S001	17
		U013_S001	35
		U013_S001_S001	35
		U013_S001_S002	35
		U014_S002	28
AW020249	PHOTOINTERRUPTOR:FLAT:PICH 2MM:M4:(S43)	U003	22
AW100180	NON-CONTACT TYPE THERMISTO R:FUSING:(S46/S47)	U011_S001	35
AW100181	THERMISTOR:PRESSURE:FRONT: (TH4/TH5)	U011_S001	36
AW100182	THERMISTOR:PRESSURE:MIDDLE :(TH3)	U011_S001	37
AW100183	THERMOPILE:(TH1/TH2)	U011	38
AW110111	THERMOSTAT:MIDDLE	U011_S001	39

## Exclusive Parts

Number	Part Name	Group	ID
AW110112	THERMOSTAT:REAR	U011_S001	40
AW230113	PCB:MYU:SENSOR:(S37/S38/S39/S40)	U006_S001_S002	6
		U006_S002_S002	6
		U006_S003_S002	6
		U006_S004_S002	6
AW500044	PUSH SWITCH:PAPER SIZE SENSOR:(SW1)	U005	31
AW500049	PUSH SWITCH:SW1AG-550:(S4/S17/S19/S21/S35)	U005	32
		U010	11
		U013	36
		U013_S001	36
AX040273	DC MOTOR:RISING TRAY:ASS'Y:1.007W:BRUSH:(M9/M10)	U005_S009	33
		U005_S010	33
AX060435	DC MOTOR:GEAR:10W:BRUSHLESS:(M7)	U014_S005	29
AX060464	DC MOTOR:ENCODER:NO:10W:GEAR:BRUSHLESS:(M1)	U013	37
AX060507	DC MOTOR:ENCODER:NO:10W:GEAR:(M2/M4/M5/M6)	U013_S001	38
		U014_S003	30
		U014_S004	30
AX060518	DC POLYGON MIRROR MOTOR:(M27)	U004_S001	9
AX061001	DC BRUSHLESS MOTOR:40W:NMB:(M15/M16)	U014	31
AX061101	DC BRUSHLESS MOTOR:25W:NMB:(M17)	U014	32
AX061222	DC BRUSHLESS MOTOR:25W:NID:FUSING UNIT:(M8)	U014_S004	33
AX400250	iEU/AA/IND/CHN/KOR):HEATER:230V:9W:THERMOFUSE:(H3)	U018	7
AX640236	FAN:MM60X15:(FAN4/FAN7)	U015	36
		U016	16
AX640256	DC FAN MOTOR:AXIAL:MM60:25MM:(FAN2/FAN6)	U016	17
		U016_S004	17
AX640257	DC FAN MOTOR:MM80X25:(FAN1/FAN5)	U016	18
AX650065	DC FAN MOTOR:SIROCCO:DC24V:PWM:(FAN3)	U016	19

Number	Part Name	Group	ID
AZ240400	(EU/AA/IND):DC POWER SUPPLY:(PCB8)	U015	37
AZ320233	POWER PACK:CB:H:(PCB19)	U015	38
AZ320239	POWER PACK:TTS:L:(PCB16)	U015	39
B0651374	CLOTH - DF EXPOSURE GLASS	U017	3
B2231099	FLAT SCREW	U013_S001_S002_S001	39
B2231163	JOINT:ON-OFF:INTERMEDIATE TRANSFER	U014_S001	34
B2231317	SCREW	U015_S001	40
B2233241	SPRING:SHUTTER:PUMP UNIT	U007	12
B2234552	BUSHING:DIA4	U013_S001	40
B2236069	JOINT:DRIVE:INTERMEDIATE TRANSFER	U008_S001_S001	16
B2236476	BUSHING - DIA5	U010	12
B2342864	PAD:CLEANER	U005_S005	34
		U005_S006_S002_S002	34
		U005_S006_S003	34
B2381088	COVER - CONNECTOR	U016	20
B2381089	COVER - POSITIONING PIN	U016	21
B6455030	SD Card 2GB	SPECIAL TOOLS	4
B6455040	SD Card 8GB	SPECIAL TOOLS	5
B6455060	SD Card 16GB	SPECIAL TOOLS	6
B8303504	TIMING BELT - 40S2M100	U005_S001	35
		U005_S002	35
C4019503	20~ Magnification Scope	SPECIAL TOOLS	7
D0092573	PULLEY - VERTICAL TRANSPORT	U013_S001_S003	41
		U013_S001_S004	41
D0092574	PULLEY - IDLER	U013_S001_S003	42
		U013_S001_S004	42
D0094407	FEELER - OVERFLOW	U012_S001	18
D0094455	CUSHION - DC SOLENOID	U012_S001	19
		U013_S001	43
D0094485	BUSHING - GATE	U013_S001	44
D0094487	COMPRESSION SPRING - GATE	U013_S001	45
D0292677	TRANSPORT BELT:DRIVEN:VERTICAL TRANSPORT	U013_S001_S003	46
		U013_S001_S004	46

## Exclusive Parts

Number	Part Name	Group	ID
D0392993	SHAFT:TRANSPORT BELT:PULLEY	U013_S001_S003	47
		U013_S001_S004	47
D0394525	COMPRESSION SPRING:SHAFT:GUIDE PLATE:EXIT	U013_S001	48
D0394529	STOPPER:GUIDE PLATE:ROLLER:DRIVEN	U013_S001	49
D0394597	TENSION SPRING:DRIVEN ROLLER	U013_S001	50
D0394925	ROLLER:REVERSE:DRIVEN	U012_S001	20
D0394927	COMPRESSION SPRING:PRESSURE:REVERSE:DRIVEN	U012_S001	21
D0894465	SYNCHRONOUS BELT:S2M:136	U014_S004	35
D0895887	PANEL:INTERFACE	U015	41
D0A45122	PCB:DCSW:(SW4)	U015	42
D0BM4388	COVER:AC CODE	U011	41
D0BQ1113	GUIDE:HARNESS:RIGHT	U014	36
D0BQ1309	MAGNET CATCH:COVER:FRONT	U001_S003	9
D0BQ1678	SHEET:FFC:LOWER	U003	23
D0BQ1713	SYNCHRONOUS BELT:890ST55-4.0	U003	24
D0BQ2071	CHARGE UNIT:ASS'Y	U006_S001_S001	7
		U006_S002_S001	7
		U006_S003_S001	7
		U006_S004_S001	7
D0BQ2608	SHAFT:SEPARATOR:DRIVEN:ASS'Y	U013_S001_S001	51
D0BQ2619	SHAFT:SEPARATOR:DRIVE:ASS'Y	U013_S001_S001	52
D0BQ2637	PAPER STOPPER:MANUAL FEED	U013_S001_S001	53
D0BQ2638	LINK:PAPER STOPPER:MANUAL FEED	U013_S001_S001	54
D0BQ2644	BRACKET:SIDE FENCE:MANUAL FEED	U013_S001_S002_S001	55
D0BQ2653	COIL SPRING:PRESSURE:SEPARATOR	U013_S001_S001	56
D0BQ2654	CUSHION:GUIDE PLATE:SEPARATOR	U013_S001_S001	57
D0BQ2655	GEAR:SEPARATE:DRIVE	U013_S001_S001	58
D0BQ2656	HOLDER:HARNESS	U013_S001	59

Number	Part Name	Group	ID
D0BQ2686	WIRE:MANUAL FEED TABLE:TC075	U013_S001_S002_S001	60
D0BQ2688	TENSION SPRING:WIRE	U013_S001_S002_S001	61
D0BQ2773	PULLEY:PICKUP:MECHANICAL ROLLER CLUTCH:U	U005_S001	36
		U005_S002	36
D0BQ2777	SHAFT:FEED:ASS'Y	U005_S001	37
		U005_S002	37
D0BQ2786	PLAIN SHAFT BEARING:FEED	U005_S001_S002	38
		U005_S002_S002	38
D0BQ2840	END FENCE:PAPER TRAY:ASS'Y	U005_S005_S001	39
		U005_S006_S001	39
D0BQ2952	DECAL:SIDE FENCE:PAPER VOLUME	U005_S005	40
		U005_S006_S003	40
D0BQ2954	DECAL:SIDE FENCE:PAPER VOLUME:ENVELOPE	U005_S006_S003	41
D0BQ2959	DECAL:SIDE FENCE:PAPER VOLUME:FRONT	U005_S005	42
		U005_S006_S002	42
D0BQ2966	STAY:END FENCE:ASS'Y	U005_S006_S002_S001	43
D0BQ2967	KNOB SCREW:STAY:END FENCE	U005_S006_S002_S001	44
D0BQ3316	GEAR:IDLER:TRANSPORT SCREW	U007_S010	13
		U007_S011	13
		U007_S012	13
		U007_S013	13
D0BQ4102	DRIVEN ROLLER:FUSING EXIT:ASS'Y	U011_S001	42
D0BQ4214	EXIT ROLLER:FUSING EXIT:RIGHT	U011_S001	43
D0BQ4425	DC STEPPER MOTOR:REVERSE:SUB-ASS'Y:(M3)	U012_S001	22
D0BQ4644	GEAR:MECHANICAL ROLLER CLUTCH	U013_S001	62
D0BQ4645	SYNCHRONOUS BELT:30S2M118	U013_S001	63
D0BQ4646	SYNCHRONOUS BELT:30S2M262	U013_S001	64
D0BQ4647	SYNCHRONOUS BELT:30S2M212	U013_S001	65
D0BQ4648	SYNCHRONOUS BELT:30S2M300	U013_S001	66



## Exclusive Parts

Number	Part Name	Group	ID
D0BQ4654	SHAFT:LEVER:LOCK	U013_S001	67
D0BQ4680	BRACKET:DRIVEN ROLLER:PRESSURE:PEEN	U013_S001	68
D0BQ4719	JIG:SENSOR:PAPER SIZE SENSOR	U013_S001	69
		U013_S001_S002	69
		U013_S001_S002_S001_S001	69
D0BQ4755	GEAR:OUTPUT:DUPLEX:ENTRANCE:CROWNING	U013	70
D0BQ4757	SPACER:DC MOTOR:DUPLEX:2	U013	71
D0BQ5172	(CHN):PCB:TCB:(PCB3/PCB4/PCB5/PCB6)	U007	14
D0BQ5534	PCB:LED	U002_S001	9
D0BQ5802	GUIDE:HARNESS:RACK	U015	43
D0BQ6048	LEVER ON-OFF BK	U008_S001	17
D0BQ6125	ROLLER:FLAT BELT-TRANSFER:FACE FRONT:ASS'Y	U008_S001_S001	18
D0BQ6170	SPACER:DENSITY SENSOR:0.05MM	U008	19
D0BQ6212	TRANSFER ROLLER:SECOND:ASS'Y	U009_S001	15
D0BQ6311	GEAR:ON-OFF:COLLAR:OUTPUT:HS	U008	20
D0BQ6322	BRACKET:TM SENSOR:FRONT:PEEN	U008	21
D0BQ6324	BRACKET:REAR:TM SENSOR	U008	22
D0BQ6338	BRACKET:TM SENSOR	U008	23
D0BQ6360	LEVER:ON-OFF:BK:MIDDLE	U008_S001_S001	24
D0BQ6400	COLLECTION BOTTLE:ASS'Y	U010_S001	13
D0BQ6511	PIPE:ASS'Y	U010_S002	14
D0BQR031	LEVER:SAFETY SWITCH:RIGHT	U015_S001	44
D0BQR035	BASE:SAFETY SWITCH	U015_S001	45
D0BQR041	SAFETY SWITCH:ASS'Y	U015_S001	46
D0C95150	PCB:SMB:SERVICE	U015	47
D0CH1199	DRIVE UNIT:ON-OFF:TRANSFER:(M18)	U014_S002	37
D0CH2542	(EU/AA/IND/CHN/KOR):HEATER:DEHUMIDIFIER:ASS'Y	U018_S003	8

Number	Part Name	Group	ID
D0CH2892	(EU/AA/IND/CHN/KOR):HEAT SINK:HEATER:ASS'Y:(H1)	U018_S003_S001	9
D0DB1744	DOCUMENT FEEDER:CABLE:BRACKET	U003	25
D0DY5101	PCB:IO:SUB-ASS'Y	U002_S001	10
D0DY5114	(CHN):PCB:SYSTEM:SUB-ASS'Y	U002_S001	11
D0E05761	(CHN):(IM C3010/GS4030c):PCB:CTL:SERVICE:(PCB11)	U015	48
D0E05762	(CHN):(IM C3510):PCB:CTL:SERVICE:(PCB11)	U015	49
D0E09591	NVRAM	U015	50
D0E11107	DC SOLENOID:ASS'Y:(SOL4)	U014	38
D0E11117	DRIVE UNIT:ENGINE:ASS'Y	U014_S001	39
D0E11276	INNER COVER:TONER BOTTLE	U001	10
D0E11313	KEY:TYPE:TONER BOTTLE	U001	11
D0E11855	OPTICAL WRITING UNIT:IMC2500/IMC3000/IMC3500	U004_S001	10
D0E12211	PCDU:C:IMC3010-3510	U006_S002	8
D0E12212	PCDU:M:IMC3010-3510	U006_S003	9
D0E12213	PCDU:Y:IMC3010-3510	U006_S004	10
D0E12215	PCU:K:IMC3010-6010	U006_S001_S001	11
D0E12216	PCU:CMY:IMC3010-3510	U006_S002_S001	12
		U006_S003_S001	12
		U006_S004_S001	12
D0E13011	DEVELOPMENT UNIT:C:IMC3010-3510	U006_S002_S002	13
D0E13012	DEVELOPMENT UNIT:M:IMC3010-3510	U006_S003_S002	14
D0E13013	DEVELOPMENT UNIT:Y:IMC3010-3510	U006_S004_S002	15
D0E14022	(EU/AA/IND/CHN/KOR):FUSING UNIT:220-240V:IMC3010-3510	U011_S001	44
D0E14052	(EU/AA/IND/CHN/KOR):SLEEVE:FUSING:220-240V:IMC3010-3510	U011_S001_S002	45
D0E15114	BICU:ASS'Y:(PCB10)	U015	51
D0E15868	COVER:FAX	U015	52
D0E1R481	(CHN):COVER:OUTER:WIFI:OPTION	U015	53

## Exclusive Parts

Number	Part Name	Group	ID
D0E1R484	(CHN):COVER:INTERFACE:WIFI:OPTION	U015	54
D0E1R485	(CHN):PANEL:CONTROL BOARD:WIFI:OPTION	U015	55
D0E22224	PCDU:K:IMC3010-6010	U006_S001	16
D0E31090	LEVER:LOCK:PCU	U016	22
D0E31099	COVER:GRIP:LEFT	U016_S001	23
		U016_S002	23
D0E31187	HOUSING:DRIVE UNIT:PAPER FEED:ASS'Y	U014_S003	40
D0E31194	PULLEY:FEED:NO.1:MECHANICAL ROLLER CLUTCH:T	U014_S003	41
D0E31196	GEAR:FEED:NO.2:MECHANICAL ROLLER CLUTCH:T	U014_S003	42
D0E31230	COVER:UPPER:	U001	12
D0E31231	COVER:UPPER:FRONT	U001	13
D0E31232	COVER:UPPER:EXIT	U001	14
D0E31233	COVER:UPPER:INNER BACK	U001	15
D0E31234	COVER:UPPER:INNER BACK:MIDDLE	U001	16
D0E31235	COVER:UPPER:INNER BACK:BIN:ZB	U001	17
D0E31237	COVER:UPPER:INNER BACK:LEFT LOWER	U001	18
D0E31240	COVER:FRONT:ASS'Y	U001_S002	19
D0E31242	COVER:FRONT:PEEN	U001_S002	20
D0E31244	COVER:FRONT:RIGHT UPPER	U001	21
D0E31245	COVER:FRONT:UPPER	U001	22
D0E31246	COVER:FRONT:USED TONER:ASS'Y	U001_S003	23
D0E31247	COVER:FRONT:USED TONER	U001_S003	24
D0E31248	COVER:FRONT:LENGTHWISE	U001	25
D0E31250	COVER:LEFT	U001	26
D0E31251	COVER:LEFT:UPPER	U001	27
D0E31252	COVER:LEFT:UPPER:REAR	U001	28
D0E31257	CAP:34X55:ZB	U001	29
D0E31260	COVER:REAR:LOWER	U001	30
D0E31261	COVER:REAR	U001	31

Number	Part Name	Group	ID
D0E31263	CAP:LOUVER:DEODORIZE FILTER	U001	32
D0E31265	COVER:RIGHT:REAR	U001	33
D0E31266	COVER:RIGHT:FRONT LOWER	U001	34
D0E31267	COVER:RIGHT:UPPER	U001	35
D0E31273	INNER COVER:FRONT:LOWER	U001_S001	36
D0E31274	INNER COVER:FRONT:LOWER:SUB-ASS'Y	U001_S001	37
D0E31275	INNER COVER:FRONT:RIGHT LOWER	U001	38
D0E31281	COVER:SCANNER:FRONT	U001	39
D0E31284	COVER:SCANNER:LEFT	U001	40
D0E31287	COVER:SCANNER:RIGHT	U001	41
D0E31290	COVER:SCANNER:UPPER:REAR	U001	42
D0E31292	CAP:HARNESS:ZB	U001	43
D0E31294	(EU[IM C3010/C3510]/CHN/KOR):CAP:HARNESS:CORNER:ZB	U001	44
D0E31331	HOLDER:GLASS:CLEANER:ASS'Y	U017	4
D0E31341	RAIL:PCU:K	U016	24
D0E31342	RAIL:PCU:C	U016	25
D0E31343	RAIL:PCU:M	U016	26
D0E31358	DRIVE UNIT:FUSING/PAPER EXIT UNIT:ASS'Y	U014_S004	43
D0E31399	DRIVE UNIT:PAPER FEED:ASS'Y	U014_S003	44
D0E31516	TOUCH PANEL:ASS'Y	U002_S001	12
D0E31517	(CHN):OPERATION SUB-UNIT:COMMON:ASS'Y	U002_S001	13
D0E31523	HINGE:RIGHT	U002	14
D0E31524	HINGE:LEFT	U002	15
D0E31545	COVER:OPERATION SUB-UNIT:REAR	U002_S001	16
D0E31546	KEYTOP:OPERATION SUB-UNIT:SERVICE	U002_S001	17
D0E31547	COVER:OPERATION SUB-UNIT:KEY SWITCH	U002_S001	18
D0E31548	COVER:OPERATION SUB-UNIT:RIGHT	U002_S001	19
D0E31549	COVER:OPERATION SUB-UNIT:USB	U002_S001	20

## Exclusive Parts

Number	Part Name	Group	ID
D0E31550	SPEAKER:ASS'Y	U002_S001_S001	21
D0E31554	GUIDE:OPERATION SUB-UNIT:HARNNESS	U002	22
D0E31555	CUSHION:LCD:L	U002_S001	23
D0E31556	CUSHION:LCD:S	U002_S001	24
D0E31592	COVER:BRACKET:OPERATION SUB-UNIT:LOWER:MF4	U002	25
D0E31593	COVER:BRACKET:OPERATION SUB-UNIT:UPPER:MF4	U002	26
D0E31595	BRACKET:OPERATION SUB-UNIT	U002	27
D0E31640	OPTICAL READING UNIT:CARRIAGE:SCANNER:IMC2010-6010	U003_S001	26
D0E31684	COVER:HARNNESS:SCANNER	U003	27
D0E31719	DC STEPPER MOTOR:PRESS FIT:(M26)	U003	28
D0E31721	BRACKET:DC STEPPER MOTOR	U003	29
D0E31732	(EU/AA/TWN/IND/CHN/KOR):SCALE:LEFT:MM:ASS'Y	U003_S002	30
D0E31733	COVER:SHEET THROUGH:DOCUMENT FEEDER	U003	31
D0E31738	(EU/AA/TWN/IND/CHN/KOR):SCALE:REAR:PRINTING:MM	U003	32
D0E31766	SHEET:FLAT CABLE:SBU	U003	33
D0E31780	ILLUMINATION UNIT:30LIGHT UNIT:ASS'Y:(LED)	U003_S001	34
D0E31788	CAP:COVER:POSITIONING	U017	5
D0E32567	CASE:REMOVE PAPER DUST	U005	45
D0E32571	GUIDE:POSITIONING:REGISTRATION:FRONT	U005	46
D0E32572	GUIDE:POSITIONING:REGISTRATION:REAR	U005	47
D0E32582	GUIDE PLATE:REGISTRATION:FRONT RIGHT	U009	16
D0E32600	MANUAL FEED UNIT:ASS'Y	U013_S001_S001	72
D0E32603	MANUAL FEED TABLE:ASS'Y	U013_S001_S002_S001	73
D0E32622	COVER:DAMPER	U013_S001_S001	74
D0E32623	ARM:PICKUP:MANUAL FEED	U013_S001_S001	75

Number	Part Name	Group	ID
D0E32624	COVER:PAPER END	U013_S001_S001	76
D0E32625	BRACKET:PAPER END SENSOR:MANUAL FEED	U013_S001_S001	77
D0E32631	SIDE FENCE:FRONT	U013_S001_S002_S001	78
D0E32633	SIDE FENCE:REAR	U013_S001_S002_S001	79
D0E32641	COVER:PAPER STOPPER:MANUAL FEED	U013_S001_S001	80
D0E32642	EXTENSION TRAY:NO.2	U013_S001_S002_S001	81
D0E32643	EXTENSION TRAY:NO.1	U013_S001_S002_S001	82
D0E32650	FLAT SCREW:M3X5:SIDE FENCE	U013_S001_S002_S001	83
D0E32658	COVER:PAPER FEED ROLLER	U013_S001_S001	84
D0E32671	GUIDE PLATE:VERTICAL TRANSPORT:NO.1:DRIVEN:ASS'Y	U013_S001_S003	85
D0E32672	GUIDE PLATE:VERTICAL TRANSPORT:NO.2:DRIVEN:ASS'Y	U013_S001_S004	86
D0E32673	GUIDE PLATE:VERTICAL TRANSPORT:NO.1:DRIVEN	U013_S001_S003	87
D0E32693	ARM:MANUAL FEED:FRONT UPPER	U013_S001_S002_S001	88
D0E32705	STAY:PAPER FEED UNIT:LOWER:ASS'Y	U005_S001_S001 U005_S002_S001	48 48
D0E32711	PAPER FEED UNIT:NO.1:ASS'Y	U005_S001	49
D0E32712	PAPER FEED UNIT:NO.2:ASS'Y	U005_S002	50
D0E32714	GUIDE PLATE:SWIVEL:NO.1	U005	51
D0E32721	GUIDE PLATE:SWIVEL:NO.2	U005	52
D0E32741	GUIDE PLATE:VERTICAL TRANSPORT:PAPER FEED UNIT:NO.1	U005_S001	53
D0E32742	GUIDE PLATE:VERTICAL TRANSPORT:PAPER FEED UNIT:NO.2	U005_S002	54
D0E32800	PAPER TRAY:NO.1:ASS'Y	U005_S005	55
D0E32805	PAPER TRAY:NO.2:ASS'Y	U005_S006	56
D0E32818	LEVER:RISE	U005_S005 U005_S006	57 57

## Exclusive Parts

Number	Part Name	Group	ID
D0E32822	SIDE FENCE:FRONT:NO.1	U005_S005	58
D0E32832	SIDE FENCE:REAR:NO.1	U005_S005	59
D0E32835	RACK:SIDE FENCE	U005_S005	60
		U005_S006	60
D0E32837	DECAL:SET:SIDE FENCE:AUXILIARY	U005_S006	61
D0E32856	GRIP:PAPER TRAY	U005_S005	62
		U005_S006	62
D0E32863	DECAL:PAPER SET DIRECTION:TRAY:NO.1	U005_S005	63
D0E32864	DECAL:PAPER SET DIRECTION:TRAY:NO.2	U005_S006	64
D0E32865	COVER:PAPER TRAY:NO.1	U005_S005	65
D0E32866	COVER:PAPER TRAY:NO.2	U005_S006	66
D0E32872	SIDE FENCE:AUXILIARY	U005_S006	67
D0E32874	TRAY BOTTOM PLATE:NO.2	U005_S005	68
		U005_S006	68
D0E32875	LINK:END FENCE:PAPER SIZE SENSOR	U005_S006	69
D0E32876	SIDE FENCE:FRONT:ASSY	U005_S006_S002	70
D0E32877	SIDE FENCE:FRONT:SUB-ASS'Y	U005_S006_S002	71
D0E32878	SIDE FENCE:FRONT:UNIVERSAL:NO.2	U005_S006_S002	72
D0E32879	SIDE FENCE:REAR:UNIVERSAL:NO.2	U005_S006_S003	73
D0E32880	SIDE FENCE:REAR:ASSY	U005_S006_S003	74
D0E32897	LATCH:SIDE FENCE	U005_S005	75
		U005_S006	75
D0E32913	HOLDER:POSITIONING	U005_S003	76
		U005_S004	76
D0E32924	STOPPER:PAPER TRAY	U005_S003	77
		U005_S004	77
D0E32925	SUPPORTER:LEFT:NO.2:PEEN	U005	78
D0E32945	OIL DAMPER:30MN	U005_S007	79
		U005_S008	79
D0E32990	PLAIN SHAFT BEARING:DRIVE:REGISTRATION ROLLER	U009	17

Number	Part Name	Group	ID
D0E33000	DEVELOPMENT UNIT:K:IMC3010-6010	U006_S001_S002	17
D0E33143	JOINT:DEVELOPMENT	U006_S001_S002	18
		U006_S002_S002	18
		U006_S003_S002	18
		U006_S004_S002	18
D0E33194	COVER:PCU:REAR:ASS'Y	U006_S001	19
		U006_S002	19
		U006_S003	19
		U006_S004	19
D0E33310	DRIVE UNIT:TONER BOTTLE:ASS'Y	U007_S010	15
		U007_S011	15
		U007_S012	15
		U007_S013	15
D0E33321	DUCT:VERTICAL TRANSPORT:TONER SUPPLY	U007	16
D0E33322	SEAL:DUCT:TONER SUPPLY	U007	17
D0E33340	TONER HOPPER:TONER SUPPLY:K:ASS'Y	U007_S001	18
D0E33350	TONER HOPPER:TONER SUPPLY:C:ASS'Y	U007_S002	19
D0E33360	TONER HOPPER:TONER SUPPLY:M:ASS'Y	U007_S003	20
D0E33366	DC STEPPER MOTOR:TONER SUPPLY:ON-OFF:(M21)	U007_S003	21
D0E33370	TONER HOPPER:TONER SUPPLY:Y:ASS'Y	U007_S004	22
D0E33381	TRANSPORT SCREW:NOZZLE:BK:ASS'Y	U007_S005	23
D0E33382	TRANSPORT SCREW:NOZZLE:CMY:ASS'Y	U007_S006	24
		U007_S007	24
		U007_S008	24
D0E33388	BASE:TONER HOPPER:REAR:ASS'Y	U007_S009	25
D0E34366	BRACKET:THERMOPILE	U011	46
D0E34404	PAPER EXIT UNIT:ASS'Y	U012_S001	23
D0E34426	BRACKET:DC STEPPER MOTOR:REVERSE	U012_S001	24

## Exclusive Parts

Number	Part Name	Group	ID
D0E34441	GUIDE PLATE:EXIT:UPPER	U012_S001	25
D0E34466	GUIDE PLATE:REVERSE:LOWER	U012_S001	26
D0E34474	END FENCE:TRAY:EXIT	U017	6
D0E34492	TRAY:REVERSE	U001	45
D0E34494	TRAY:AUXILIARY:EXIT:ZB	U012	27
D0E34497	TRAY:EXIT	U012	28
D0E34555	DUPLEX UNIT:IMC3010-6010	U013_S001	89
D0E34563	MANUAL FEED TABLE:IMC2010-6010	U013_S001_S002	90
D0E34570	PAPER SIZE SENSOR:SENSOR:IMC2010-6010:(S7)	U013_S001_S002_S001_S001	91
D0E34655	GRIP:DUPLEX UNIT	U013_S001	92
D0E34660	GUIDE PLATE:UPPER:RIGHT:DUPLEX	U013_S001	93
D0E34673	GUIDE PLATE:DRIVEN	U013_S001	94
D0E34693	INNER COVER:FRONT:DUPLEX	U013_S001	95
D0E34695	LINK:FRONT	U013_S001	96
D0E34696	INNER COVER:REAR:LOWER:DUPLEX	U013_S001	97
D0E34697	INNER COVER:RREA:UPPER:DUPLEX	U013_S001	98
D0E34707	PIN:ARM:FRONT LOWER	U013_S001_S002_S001	99
D0E34711	DECAL:SIDE FENCE:MANUAL FEED	U013_S001_S002_S001	100
D0E34715	DECAL:GRIP:Z	U013_S001	101
D0E34717	PLATE:SIDE FENCE:FRONT	U013_S001_S002_S001	102
D0E34720	PLATE:SIDE FENCE:REAR	U013_S001_S002_S001	103
D0E34737	PLAIN SHAFT BEARING:DUPLEX:EXIT	U013_S001	104
D0E34850	ARM:PUSH SWITCH	U013_S001	105
D0E34886	ARM:MANUAL FEED:FRONT LOWER	U013_S001_S002_S001	106
D0E34921	COVER:GUIDE PLATE:DRIVEN	U013_S001	107
D0E34932	BRACKET:POSITIONING:PAPER EXIT UNIT	U012	29

Number	Part Name	Group	ID
D0E34937	INNER COVER:EXIT	U012	30
D0E34949	GUIDE:HARNESS:REVERSE	U012_S001	31
D0E34961	BASE:PLATE:EXIT:B	U012	32
D0E34994	GUIDE PLATE:EXIT:LOWER	U012_S001	33
D0E34995	GUIDE PLATE:UPPER	U013_S001	108
D0E35126	PCB:IOB-EXTEND:(PCB2)	U015	56
D0E35164	(EU/AA/IND/CHN/KOR):AC CONTROL BOARD:(PCB9)	U015	57
D0E35765	CASE:POWER PACK:CB	U015	58
D0E35810	BRACKET:RACK:UPPER	U015	59
D0E35814	GUIDE:HARNESS:RACK:LOWER	U015	60
D0E35816	STAY:RACK:LOWER	U015	61
D0E35823	BRACKET:BASE:POWER SUPPLY UNIT:PEEN	U015	62
D0E35824	COVER:SD-CARD	U015	63
D0E35825	COVER:PSU	U015	64
D0E35886	GASKET:32TA L15-18(AZD6)H L=20	U015	65
D0E36003	TRANSFER UNIT:INTERMEDIATE TRANSFER:ASS'Y	U008_S001_S001	25
D0E36005	TRANSFER UNIT:INTERMEDIATE TRANSFER:IMC2010-6010	U008_S001	26
D0E36051	TRANSFER ROLLER:BK:ASS'Y	U008_S001_S001	27
D0E36061	TRANSFER ROLLER:FC:ASS'Y	U008_S001_S001	28
D0E36097	FLAT BELT-TRANSFER:INTERMEDIATE TRANSFER:SR	U008_S001_S001	29
D0E36139	BELT CLEANING:INTERMEDIATE TRANSFER	U008_S001_S002	30
D0E36141	CLEANING UNIT:BELT CLEANING:ASS'Y	U008_S001_S002_S001	31
D0E36172	BRACKET:BELT CLEANING:FRONT	U008_S001	32
D0E36180	TONER OUTLET UNIT:BELT CLEANING:ASS'Y	U008_S001_S002_S002	33
D0E36215	GUIDE PLATE:TRANSFER:SECOND:ASS'Y	U009_S002	18
D0E36244	GROUND PLATE:SEPARATION	U009_S002	19
D0E36583	GEAR:USED TONER:INPUT	U010	15

## Exclusive Parts

Number	Part Name	Group	ID
D0E36767	(CHN):DECAL:CAUTION:ORIGINAL:CHINESE	U017	7
D0E36844	(GS4030c):PLATE:MODEL NAME PLATE:GS4030C	U017	8
D0E36852	(EU/TWN/CHN):DECAL:MAIN SWITCH:ON-STANDBY	U017	9
D0E36857	(CHN):DECAL:INKJET:TRAY:NO.1	U017	10
D0E36858	(CHN):DECAL:INKJET:PAPER FEE D	U017	11
D0E36859	DECAL:CLEANING:SHIELD GLASS	U001_S002	46
D0E36863	(CHN):DECAL:INKJET:MANUAL FEED	U017	12
D0E36864	(IM C3010/C3510):PLATE:LOGOTYPE:RIC	U017	13
D0E36865	(GS4030c):PLATE:LOGOTYPE:GES TETNER	U017	14
D0E36870	(IM C3010):PLATE:MODEL NAME PLATE:C3010	U017	15
D0E36871	(IM C3510):PLATE:MODEL NAME PLATE:C3510	U017	16
D0E36902	DECAL:SIZE INDICATION:PAPER TRAY	U017	17
D0E37920	COVER:FAN:DEVELOPMENT:RIGHT:ASS'Y	U016_S004	27
D0E37935	CAP:FILTER:ASS'Y	U016_S003	28
D0E37936	CAP:LOUVER:FILTER:LEFT	U016_S003	29
D0E37953	DUCT:SUPPLY:C	U016	30
D0E37968	COVER:FAN:DEVELOPMENT:RIGHT LOWER	U016_S004	31
D0E37982	DUCT:POWER SUPPLY UNIT	U016	32
D0E37983	BRACKET:FAN:POWER SUPPLY UNIT	U016	33
D0E37984	DUCT:REAR:POWER SUPPLY UNIT	U015	66
D0E37985	SEAL:RAIL:PCU:Y	U016	34
D1124264	DECAL:WARNING (HIGH TEMPERATURE):FUSING	U011_S001	47
D1175303	THERMISTOR:(S33)	U016	35

Number	Part Name	Group	ID
D1175916	STEPPED SCREW:M3X8:SECOND KIND	U008_S001	34
D1292783	TORQUE LIMITER MECHANICAL CLUTCH:40MM:DI18	U005_S001	80
		U005_S002	80
		U013_S001_S001	109
D1421805	SHAFT:SCALE	U015_S001	67
D1441085	STEPPED SCREW:M3	U008_S001_S001	35
D1444183	SCREW:M3	U003	35
D1444484	SHOULDER SCREW - M3	U012_S001	34
D1444489	STOPPER:DRIVEN ROLLER	U013_S001_S003	110
		U013_S001_S004	110
D1465786	BRACKET:HDD	U015	68
D1471177	TENSION SPRING:ARM:MCPG	U014	45
D1471805	EXPOSURE GLASS:DOCUMENT FEEDER:APPLY	U003	36
D1472734	GUIDE PLATE:SEPARATE	U005_S001_S001	81
		U005_S002_S001	81
D1472737	LEVER:PRESSURE:SEPARATE	U005_S001_S001	82
		U005_S002_S001	82
D1472738	LINK:RELEASE	U005_S001_S001	83
		U005_S002_S001	83
D1472752	SHAFT:SEPARATE:ASS'Y	U005_S001_S001	84
		U005_S002_S001	84
D1473325	TORSION SPRING:STOPPER:TONER CARTRIDGE:4.8N	U007	26
D1477951	DUCT:SUPPLY:A	U016	36
D1477952	DUCT:SUPPLY:B	U016	37
D1477956	DUCT:EXHAUST:DRIVE:A	U016	38
D1477957	DUCT:EXHAUST:DRIVE:B	U016	39
D1482702	SPACER:TRANSPORT ROLLER	U005_S001	85
		U005_S002	85
D1482751	ARM:PRESSURE:SEPARATE	U005_S001_S001	86
		U005_S002_S001	86
D1482755	COIL SPRING:RELEASE:SEPARATE	U005_S001_S001	87
		U005_S002_S001	87
D1482942	TENSION SPRING:LEVER	U005_S007	88
		U005_S008	88
D1484690	TORSION SPRING:LINK	U013_S001	111

## Exclusive Parts

Number	Part Name	Group	ID
D1491099	COVER:GRIP:LEFT	U016_S001	40
		U016_S002	40
D1491168	BRACKET:DRIVE:COLLECTION BOTTLE:ASS'Y	U010	16
D1491173	GEAR:IDLER:TONER BOTTLE	U010	17
D1491174	GEAR:COLLECTION BOTTLE	U010	18
D1491195	GEAR:IDLER:PAPER FEED:FEED	U014_S003	46
D1491197	GEAR:IDLER:PAPER FEED:GRIP:NO.1	U014_S003	47
D1491248	HINGE:COVER:FRONT:USED TONER	U001_S003	47
D1491274	INNER COVER:FRONT:USED TONER	U001	48
D1491278	TORSION SPRING:COVER:USED TONER	U001	49
D1491338	GUIDE PLATE:PAPER FEED TABLE:FRONT	U016	41
D1491351	DRIVE UNIT:REGISTRATION:ASS'Y	U014_S005	48
D1491352	BRACKET:DRIVE UNIT:REGISTRATION:ASS'Y	U014_S005	49
D1491355	GEAR:REGISTRATION:NO.1	U014_S005	50
D1491387	GROUND PLATE:DRIVE UNIT:ENGINE	U014	51
D1491392	FLANGE:PAPER FEED:FEED	U014_S003	52
D1491394	GROUND PLATE:DRIVE UNIT:FUSING/PAPER EXIT UNIT	U014	53
D1491397	TORQUE LIMITER MECHANICAL CLUTCH:49MMN:DIA14	U014_S004	54
D1491706	SYNCHRONOUS BELT:138ST1.5-4.0	U003	37
D1491798	SEAL:SHEET THROUGH:DOCUMENT FEEDER	U003	38
D1491804	HOLDER:OSURE GLASS:SCANNER	U003	39
D1491833	SHEET:GLASS	U003	40
D1491840	GROUND PLATE:AKS	U003	41
D1492373	SEAL:CASE:COATING BAR:TENSION SPRING	U006_S001_S001	20
		U006_S002_S001	20
		U006_S003_S001	20

Number	Part Name	Group	ID
		U006_S004_S001	20
D1492557	GUIDE:REGISTRATION:ENTRANCE:REAR	U013_S001	112
D1492558	GUIDE:REGISTRATION:ENTRANCE:FRONT	U013_S001	113
D1492562	COLLAR:REGISTRATION ROLLER	U005	89
D1492584	COLLAR:SHAFT:REGISTRATION ROLLER	U009	20
D1492585	GUIDE:REGISTRATION:REAR RIG	U009	21
D1492586	GUIDE:REGISTRATION:FRONT RIG	U009	22
D1492612	ROLLER:GRIP:DRIVEN	U013_S001_S001	114
D1492613	SHAFT:GRIP:DRIVEN	U013_S001_S001	115
D1492614	TENSION SPRING:GRIP:PRESSURE	U013_S001_S001	116
D1492633	SHAFT:FEED:MANUAL FEED	U013_S001_S001	117
D1492635	TRANSPORT ROLLER:MANUAL FEED	U013_S001_S001	118
D1492639	SHAFT:PAPER STOPPER	U013_S001_S001	119
D1492642	SHAFT:LINK:PAPER STOPPER	U013_S001_S001	120
D1492655	FEELER:PAPER END SENSOR	U013_S001_S001	121
D1492656	TORSION SPRING:PAPER END SENSOR	U013_S001_S001	122
D1492693	STOPPER:MANUAL FEED TABLE	U013_S001_S002_S001	123
D1492694	COMPRESSION SPRING:STOPPER:MANUAL FEED TABLE	U013_S001_S002_S001	124
D1492712	SHEET:GUIDE PLATE:SWIVEL	U005	90
D1492739	LEVER:PRESSURE RELEASE	U005_S001_S001	91
		U005_S002_S001	91
D1492772	ARM:PICKUP	U005_S001	92
		U005_S002	92
D1492774	PULLEY:IDLER:PICKUP	U005_S001	93
		U005_S002	93
D1492777	COIL SPRING:PRESSURE:PICKUP	U005_S001	94
		U005_S002	94
D1492780	GROUND WIRE:SENSOR:PAPER FEED	U005_S001	95

## Exclusive Parts

Number	Part Name	Group	ID
	EED	U005_S002	95
D1492781	GROUND PLATE:PAPER FEED UNIT	U005_S001	96
		U005_S002	96
D1492784	BRACKET:SENSOR:PAPER FEED	U005_S001	97
		U005_S002	97
D1492787	BRACKET:SUPPORT:COVER	U005	98
D1492788	INNER COVER:HARNESS:PAPER FEED UNIT	U005	99
D1492795	BRACKET:PAPER FEED UNIT:PEEN	U016	42
D1492812	ROLLER:PAPER TRAY:DIA19	U005_S005	100
		U005_S006	100
D1492813	PIN:STRETCH:TRAY	U005_S005	101
		U005_S006	101
D1492814	COIL SPRING:EARTH	U005_S005	102
		U005_S006	102
D1492816	SHAFT:RISE:ASS'Y	U005_S005	103
		U005_S006	103
D1492824	LEVER:STOPPER:FRONT	U005_S005	104
		U005_S006_S002	104
D1492826	COMPRESSION SPRING:SIDE FENCE:PLATE:FRONT	U005_S005	105
		U005_S006_S002	105
D1492827	COMPRESSION SPRING:SIDE FENCE:POSITIONING	U005_S005	106
		U005_S006_S002	106
D1492836	GEAR:Z20	U005_S005	107
		U005_S006	107
D1492842	LEVER:END FENCE	U005_S005_S001	108
		U005_S006_S001	108
D1492843	CLICK:END FENCE	U005_S005_S001	109
		U005_S006_S001	109
D1492845	COMPRESSION SPRING:END FENCE:LEVER:5N	U005_S005_S001	110
		U005_S006_S001	110
D1492886	COVER:TRAY:REAR RIGHT:NO.1	U005	111
D1492887	COVER:TRAY:REAR LEFT:NO.1	U005	112
D1492888	COVER:TRAY:REAR RIGHT:NO.2	U005	113
D1492889	COVER:TRAY:REAR LEFT:NO.2	U005	114
D1492898	COVER:HEATER:PAPER TRAY	U018_S003_S001	10
D1492899	HEAT SINK:HEATER	U018_S003_S001	11

Number	Part Name	Group	ID
D1492903	SUPPORTER:RIGHT:NO.2:ASS'Y	U005_S004	115
D1492905	SUPPORTER:RIGHT:NO.1:ASS'Y	U005_S003	116
D1492918	SUPPORTER:LEFT UPPER:NO.1	U005	117
D1492920	SUPPORTER:RIGHT:PEEN	U005_S004	118
D1492923	ROLLER:SUPPORTER:PAPER TRAY	U005_S004	119
D1492928	ROLLER:SUPPORTER:PAPER TRAY:LEFT	U005	120
D1492930	SUPPORTER:LEFT LOWER:NO.1:PEEN	U005	121
D1492937	GEAR:LEVER:STRETCH	U005_S007	122
		U005_S008	122
D1492938	GEAR:IDLER:Z25	U005_S007	123
		U005_S008	123
D1492948	GEAR:IDLER:Z26	U005_S007	124
		U005_S008	124
D1492956	ROLLER:SUPPORTER:PAPER TRAY	U005_S003	125
D1492958	ROLLER:SUPPORTER:PAPER TRAY:LEFT	U005	126
D1492961	LEVER:STRETCH:PEEN	U005_S007	127
		U005_S008	127
D1492964	LEVER:LOCK:PAWL	U005_S007	128
		U005_S008	128
D1492965	LEVER:STRETCH:COIL SPRING	U005_S007	129
		U005_S008	129
D1493210	DC MOTOR:TONER BOTTLE:ASS'Y :5.28W:BRUSH:(M30/M31/M32/M34)	U007_S010	27
		U007_S011	27
		U007_S012	27
		U007_S013	27
D1493322	SHUTTER:DUCT:TONER SUPPLY	U007	28
D1493331	COVER:GEAR:TONER SUPPLY SUB-UNIT	U007	29
D1493343	COLLAR:TONER SUPPLY	U007	30
		U007_S003	30
		U007_S010	30
		U007_S011	30
		U007_S012	30



## Exclusive Parts

Number	Part Name	Group	ID
		U007_S013	30
D1493350	DC STEPPER MOTOR:TONER SUPPLY:(M19/M20/M22)	U007_S001	31
		U007_S002	31
		U007_S004	31
D1494209	SHAFT:ON-OFF:PRESSURE ROLLER	U011_S001	48
D1494235	STEPPED SCREW:M3	U011_S001	49
D1494335	ELECTRODE PLATE:CONNECTING:THERMOSTAT	U011_S001	50
D1494371	BRACKET:PHOTOINTERRUPTOR	U011	51
D1494421	GEAR:EXIT ROLLER	U012_S001	35
D1494422	GEAR:REVERSE ROLLER	U012_S001	36
D1494427	STUD:PULLEY:BRACKET:DC STEPPER MOTOR	U012_S001	37
D1494428	GROUND PLATE:PAPER EXIT UNIT	U012_S001	38
D1494429	PULLEY:GEAR:REVERSE	U012_S001	39
D1494434	TENSION SPRING:LEVER:GATE PAWL	U012_S001	40
D1494463	GROUND WIRE:SENSOR:REVERSE	U012_S001	41
D1494468	SHAFT:DRIVEN:REVERSE ROLLER	U012_S001	42
D1494469	SPRING PLATE:ROLLER:DRIVEN:REVERSE ROLLER	U012_S001	43
D1494471	SHAFT:DRIVEN:REVERSE ROLLER:OUTER	U012_S001	44
D1494474	LINK:END FENCE:TRAY:EXIT	U017	18
D1494484	TORSION SPRING:LEVER:GATE PAWL	U012_S001	45
D1494623	GROUND WIRE:BRACKET:ENTRANCE:DUPLEX	U013	125
D1494638	GUIDE:WIRE	U013_S001	126
D1494653	TENSION SPRING:SWIVEL	U013_S001	127
D1494656	HOOK:STOPPER:DUPLEX UNIT:FRONT	U013_S001	128
D1494657	HOOK:STOPPER:DUPLEX UNIT:REAR	U013_S001	129

Number	Part Name	Group	ID
D1494658	COIL SPRING:LEVER:DUPLEX	U013_S001	130
D1494662	DIFFUSION PLATE:LED	U009_S002	23
D1494672	COMPRESSION SPRING:DRIVEN	U013_S001	131
D1494675	COVER:PUSH SWITCH	U013_S001	132
D1494677	STAY:CONTACT POINT:GUIDE PLATE:DRIVEN	U013_S001	133
D1494688	LINK:DUPLEX:MAIN	U013_S001	134
D1494718	TORSION SPRING:SIDE FENCE:FRONT	U013_S001_S002_S001	135
D1494721	TORSION SPRING:SIDE FENCE:REAR	U013_S001_S002_S001	136
D1494731	COMPRESSION SPRING:RACK:MANUAL FEED	U013_S001_S002_S001	137
D1494755	BRACKET:HINGE:DUPLEX:FRONT	U013	138
D1494777	COMPRESSION SPRING:FLAT CONVEYER BELT:DRIVEN	U013_S001_S003	139
		U013_S001_S004	139
D1495711	BRACKET:ARM:SAFETY SWITCH:FRONT	U015_S001	69
D1495713	ARM:SAFETY SWITCH:FRONT	U015_S001	70
D1495714	SHAFT:ARM:SAFETY SWITCH	U015_S001	71
D1495718	TORSION SPRING:SAFETY SWITCH	U015_S001	72
D1495742	COVER:HARNESS:OPTICAL WRITING UNIT	U015	73
D1495776	COVER:USB:SMALL	U015	74
D1495824	COVER:CONNECTOR:HEATER:0.4MM	U015	75
D1495883	KEYTOP:MAIN SWITCH	U001	50
D1495884	COMPRESSION SPRING:KEYTOP	U001	51
D1496030	CAM:ON-OFF:COLLAR	U008_S001_S001	36
D1496039	COMPRESSION SPRING:LEVER	U008_S001_S001	37
D1496133	VIBRATING PLATE:FRONT:PEEN	U008_S001_S001	38
D1496136	VIBRATING PLATE:REAR:PEEN	U008_S001_S001	39
D1496163	TENSION SPRING:SHUTTER:BELT CLEANING	U008_S001_S002_S001	40
		U008_S001_S002_S002	40
D1496173	BRACKET:BELT CLEANING:REAR	U008_S001	41

## Exclusive Parts

Number	Part Name	Group	ID
D1496179	GEAR:IDLER:DISCHARGE USED TONER	U008_S001_S002	42
D1496190	GEAR:DISCHARGE USED TONER	U008_S001_S002	43
D1496195	CAM:DISCHARGE USED TONER	U008_S001_S002	44
D1496226	LEVER:TRANSFER/SEPARATION UNIT:FRONT	U009_S002	24
D1496227	LEVER:SET:FRONT	U009_S002	25
D1496228	TORSION SPRING:LEVER:SET:FRONT	U009_S002	26
D1496229	TENSION SPRING:LEVER:SET	U009_S002	27
D1496231	LEVER:TRANSFER/SEPARATION UNIT:REAR	U009_S002	28
D1496232	LEVER:SET:REAR	U009_S002	29
D1496233	TORSION SPRING:LEVER:SET:REAR	U009_S002	30
D1496242	COMPRESSION SPRING:PRESSURE:TRANSFER ROLLER	U009_S002	31
D1496243	RECEIVE PLATE:COMPRESSION SPRING:TRANSFER ROLLER	U009_S002	32
D1496245	GROUND PLATE:TRANSFER/SEPARATION UNIT	U009_S002	33
D1496248	CAP:LED	U009_S002	34
D1496254	DECAL:GRIP:B:LOWER	U009_S002	35
D1496257	GROUND PLATE:REGISTRATION ROLLER	U009_S002	36
D1496290	GUIDE:SET:TRANSFER/SEPARATION UNIT:FRONT	U009	37
D1496291	GUIDE:SET:TRANSFER/SEPARATION UNIT:REAR	U009	38
D1496295	COVER:HARNESS:TRANSFER/SEPARATION UNIT	U009	39
D1496309	SHAFT:ON-OFF:COLLAR:MAIN	U008	45
D1496310	BRACKET:ON-OFF:COLLAR	U008	46
D1496312	JOINT:ON-OFF:COLLAR	U008	47
D1496320	TERMINAL:BIAS:INTERMEDIATE TRANSFER:MAIN	U008	48

Number	Part Name	Group	ID
D1496321	HOLDER:TERMINAL:INTERMEDIATE TRANSFER:MAIN	U008	49
D1496552	GEAR:IDLER:Z30	U010	19
D1496554	GEAR:PULLEY:IDLER:Z16	U010	20
D1496555	GEAR:IDLER:Z21	U010	21
D1496556	TENSION SPRING:BELT TENSIONER	U010	22
D1496557	SYNCHRONOUS BELT:40S3M564	U010	23
D1496558	GEAR:IDLER:Z61	U010	24
D1496561	PULLEY:USED TONER	U010	25
D1496562	BRACKET:TIGHTENER:USED TONER	U010	26
D1496571	BRACKET:PULLEY:IDLER:USED TONER	U010	27
D1496574	GEAR:PULLEY:IDLER:Z18	U010	28
D1496575	FLANGE:IDLER:USED TONER	U010	29
D1496581	SHAFT:DRIVE:USED TONER:RIGHT	U010	30
D1496582	GEAR:USED TONER:RIGHT	U010	31
D1496586	SHAFT:DRIVE:USED TONER:LEFT	U010	32
D1496587	GEAR:USED TONER:LEFT	U010	33
D1496592	RAIL:COLLECTION BOTTLE	U010	34
D1496893	DECAL:PCU:BLACK	U001	52
D1496894	DECAL:PCU:CYAN	U001	53
D1496895	DECAL:PCU:MAGENTA	U001	54
D1496896	DECAL:PCU:YELLOW	U001	55
D1497923	DUCT:DEVELOPMENT:RIGHT LOWER	U016_S004	43
D1497932	DUCT:PCU:EXHAUST	U016	44
D1497938	OZONE FILTER	U016_S003	45
D1497955	DUCT:SUPPLY:FAN:UPPER	U016	46
D1497956	DUCT:SUPPLY:FAN:LOWER	U016	47
D1497986	GUIDE:THERMISTOR	U016	48
D1502666	GEAR:SIDE FENCE:MANUAL FEED TABLE	U013_S001_S002	140
D1751377	GEAR:PRESSURE RELEASE:NO.3	U014_S004	55
D1752726	STOPPER:GUIDE PLATE:SWIVEL	U005_S002	130
D1771302	CLEANER:SHIELD GLASS:ASS'Y	U017	19

## Exclusive Parts

Number	Part Name	Group	ID
D1771592	SCREW:M3X6	U014	56
D2021143	JOINT:DRIVE	U014_S003	57
D2021191	GEAR:GRIP:NO.1	U014_S003	58
D2021193	STUD:PAPER FEED:GRIP:ASS'Y	U014_S003	59
D2021195	PULLEY:GRIP:NO.2	U014_S003	60
D2022614	COIL SPRING:RELEASE:PICKUP:MANUAL FEED	U013_S001_S001	141
D2022619	TORSION SPRING:PICKUP	U013_S001_S001	142
D2022620	SHOE:TORSION SPRING:PICKUP	U013_S001_S001	143
D2022638	FEELER:PAPER SIZE SENSOR:MANUAL FEED	U013_S001_S002_S001	144
D2022642	PULLEY:WIRE:MANUAL FEED TABLE	U013_S001_S002_S001	145
D2022646	ARM:MANUAL FEED:REAR UPPER	U013_S001_S002_S001	146
D2022778	FEELER:PAPER END	U005_S001	131
		U005_S002	131
D2022791	GUIDE:FEED	U005_S001	132
		U005_S002	132
D2024477	REVERSE ROLLER	U012_S001	46
D2024673	FEELER:DUPLEX:ENTRANCE SENSOR	U013_S001	147
D2024674	TORSION SPRING:DUPLEX:ENTRANCE SENSOR	U013_S001	148
D2024679	DRIVEN ROLLER:DIA16:DUPLEX	U013_S001	149
D2024682	DRIVEN ROLLER:DIA16	U013_S001	150
D2024684	GROUND WIRE:BRACKET:DRIVEN ROLLER	U013_S001	151
D2024692	SHAFT:PRESSURE:GUIDE PLATE:UPPER	U013_S001	152
D2024722	LINK:DUPLEX	U013_S001	153
D2024726	TORSION SPRING:LINK:CONTACT POINT	U013_S001	154
D2026255	DECAL:GRIP:B	U009_S002	40
D2391109	BRACKET:DC SOLENOID:ASS'Y	U014	61
D2394262	FUSING COVER:LOWER	U011_S001	52
D2395889	RAIL:FAX	U015	76
D2411242	COVER:MAIN SWITCH	U005_S005	133

Number	Part Name	Group	ID
D2411298	INNER COVER:RIGHT	U001	56
D2411308	BAND:STOPPER:DOOR	U001	57
D2411309	MAGNET CATCH	U001_S002	58
D2411378	GEAR:FUSING:NO.3	U014_S004	62
D2411396	HOLDER:TORQUE LIMITER MECHANICAL CLUTCH:PRESSURE RELEASE	U014_S004	63
D2411671	PROTECTION:CARRIAGE:SCANNER	U003	42
D2411680	GUIDE ROD	U003	43
D2411681	STAY:GUIDE ROD	U003	44
D2411685	SPRING PLATE:GUIDE ROD	U003	45
D2411686	CLAMP:STAY:GUIDE ROD	U003	46
D2411688	SHEET:GLASS:LARGE	U003	47
D2411689	HOLDER:OSURE GLASS	U003	48
D2411697	SLIDE RAIL	U003	49
D2411698	COVER:BASE:SCANNER	U003	50
D2411701	PULLEY:IDLER:LEADING EDGE	U003	51
D2411702	CAP:PULLEY:IDLER:LEADING EDGE	U003	52
D2411708	TIGHTENER:DIA8	U003	53
D2411710	PULLEY:IDLER:TRAILING EDGE	U003	54
D2411711	CAP:IDLER:TRAILING EDGE	U003	55
D2411712	TENSION SPRING:TIGHTENER:TENSION:4N	U003	56
D2411715	PULLEY:DRIVE	U003	57
D2411716	CAP:PULLEY:DRIVE:UPPER	U003	58
D2411717	CAP:PULLEY:DRIVE:LOWER	U003	59
D2411722	TENSION SPRING:TENSION:11N	U003	60
D2411727	SHEET:GAP:ASS'Y	U003	61
D2411741	BRACKET:DOCUMENT FEEDER:LEFT	U003	62
D2411742	BRACKET:DOCUMENT FEEDER:RIGHT	U003	63
D2411767	PLAIN SHAFT BEARING:90ANG	U003_S001	64
D2411768	SLIDE SHOE	U003_S001	65
D2411770	HOLDER:FERRITE CORE	U003	66
D2411796	BRACKET:HEATER:SCANNER	U018	12

## Exclusive Parts

Number	Part Name	Group	ID
D2411797	COVER:HEATER:SCANNER	U018	13
D2412559	SHAFT:REGISTRATION ROLLER:DRIVEN	U005	134
D2412576	GUIDE PLATE:REGISTRATION:FRONT LEFT	U005	135
D2412583	REGISTRATION ROLLER:DRIVE	U009	41
D2412612	DC SOLENOID:PICKUP:ASS'Y:(SO L1)	U013_S001_S001	155
D2412643	ARM:LINK:PAPER STOPPER	U013_S001_S001	156
D2412644	TORSION SPRING:LINK:PAPER STOPPER	U013_S001_S001	157
D2412652	GROUND PLATE:SHAFT:FEED	U013_S001_S001	158
D2412657	GROUND WIRE:MANUAL FEED UNIT:REAR	U013_S001_S001	159
D2412674	GUIDE PLATE:VERTICAL TRANSPORT:NO.2:DRIVEN	U013_S001_S004	160
D2412676	HOLDER:DRIVEN:BELT	U013_S001_S003	161
		U013_S001_S004	161
D2412678	SHAFT:FLAT CONVEYER BELT:DRIVEN	U013_S001_S003	162
		U013_S001_S004	162
D2412682	STAY:REAR:MANUAL FEED TABLE	U013_S001_S002	163
		S001	
D2412719	GROUND PLATE:SENSOR:TRANSPORT	U005_S001	136
		U005_S002	136
D2412730	STAY:SEPARATE:PEEN	U005_S001_S001	137
		U005_S002_S001	137
D2412731	STOPPER:GUIDE PLATE:SWIVEL	U005	138
D2412736	BRACKET:SEPARATE:REAR	U005_S001_S001	139
		U005_S002_S001	139
D2412754	COIL SPRING:PRESSURE:SEPARATE	U005_S001_S001	140
		U005_S002_S001	140
D2412760	STAY:PAPER FEED UNIT:UPPER:PEEN	U005_S001	141
		U005_S002	141
D2412762	TRANSPORT ROLLER:VERTICAL TRANSPORT:ASS'Y	U005_S001	142
		U005_S002	142
D2412782	PLATE:HARNESS:PAPER FEED UNIT	U005_S001	143
		U005_S002	143
D2412896	SHEET:HEAT SINK:HEATER	U018_S003_S001	14

Number	Part Name	Group	ID
D2412906	LEVER:STRETCH:PAPER TRAY:ASS'Y	U005_S007	144
		U005_S008	144
D2412943	TENSION SPRING:LEVER:AUXILIARY	U005_S007	145
		U005_S008	145
D2412991	PLAIN SHAFT BEARING:INNER:DRIVE:REGISTRATION ROLLER	U009	42
D2412993	STOPPER:REGISTRATION ROLLER	U009	43
D2412994	COMPRESSION SPRING:REGISTRATION:INNER:DRIVE	U009	44
D2413336	COVER:GEAR:TONER SUPPLY SUB-UNIT:C	U007	32
D2414023	HOLDER:DRIVEN ROLLER:FUSING EXIT:FRONT	U011_S001	53
D2414024	HOLDER:DRIVEN ROLLER:FUSING EXIT:REAR	U011_S001	54
D2414108	GUIDE:FUSING EXIT:LEFT	U011_S001	55
D2414113	BRACKET:THERMISTOR:PRESSURE ROLLER	U011_S001	56
D2414123	DISCHARGE BRUSH:PRESSURE ROLLER	U011_S001	57
D2414137	LEVER:PRESSURE:FRONT:PEEN	U011_S001	58
D2414140	HOLDER:PRESSURE:FRONT:ASS'Y	U011_S001	59
D2414155	HOLDER:PRESSURE:REAR:ASS'Y	U011_S001	60
D2414160	LEVER:PRESSURE:REAR:PEEN	U011_S001_S001	61
D2414215	GUIDE:FUSING EXIT:RIGHT:ASS'Y	U011_S001	62
D2414219	DECAL:C:GUIDE PLATE:FUSING EXIT	U011_S001	63
D2414221	STRIPPER PLATE:FUSING EXIT:ASS'Y	U011_S001	64
D2414252	FUSING ENTRANCE GUIDE PLATE	U011_S001	65
D2414332	HOUSING:THERMOSTAT	U011_S001	66
D2414334	COVER:HOUSING:THERMOSTAT	U011_S001	67
D2414337	TERMINAL:THERMOSTAT:DRAWER	U011_S001	68
D2414338	TERMINAL:THERMOSTAT:HEATER	U011_S001	69
D2414342	HOUSING:NON-CONTACT TYPE T	U011_S001	70

## Exclusive Parts

Number	Part Name	Group	ID
	HERMISTOR		
D2414354	BRACKET:DRAWER:MAIN	U011	71
D2414365	HOLDER:THERMOPILE	U011	72
D2414367	STOPPER:THERMOPILE	U011	73
D2414448	SHAFT:FEELER:OVERFLOW	U012_S001	47
D2414458	GUIDE:COVER:UPPER	U001	59
D2414461	GUIDE PLATE:REVERSE:UPPER	U012_S001	48
D2414476	EXIT ROLLER	U012_S001	49
D2414481	GATE PAWL:EXIT	U012_S001	50
D2414483	LEVER:GATE PAWL	U012_S001	51
D2414499	COMPRESSION SPRING:BASE:TRAY:EXIT	U012	52
D2414617	TRANSPORT ROLLER:DUPLEX:2:DIA8	U013_S001	164
D2414628	GUIDE PLATE:DUPLEX:EXIT	U013_S001	165
D2414635	SHEET:CUSHION	U013_S001	166
D2414640	TRANSPORT ROLLER:EXIT:DIA8	U013_S001	167
D2414642	TRANSPORT ROLLER:DUPLEX:1	U013_S001	168
D2414643	TRANSPORT ROLLER:ENTRANCE	U013_S001	169
D2414648	BRACKET:SWIVEL:PEEN	U013_S001	170
D2414652	GEAR:PULLEY:SWIVEL	U013_S001	171
D2414676	LEVER:PRESSURE:DUPLEX	U013_S001	172
D2414677	COMPRESSION SPRING:EXIT:UPPER	U013_S001	173
D2414681	BRACKET:MOTOR:PEEN	U013_S001	174
D2414684	GEAR:OUTPUT	U013_S001	175
D2414694	CAP:BELT:DUPLEX	U013_S001	176
D2414697	GROUND WIRE:EXIT SENSOR:DUPLEX	U013_S001	177
D2414707	GEAR:FEED:MANUAL FEED:DRIVE	U013_S001	178
D2414708	GEAR:SEPARATOR:MANUAL FEED:DRIVE	U013_S001	179
D2414709	GEAR:TRANSPORT ROLLER:MANUAL FEED	U013_S001	180
D2414710	GEAR:IDLER	U013_S001	181
D2414750	BRACKET:MOTOR:DUPLEX	U013	182
D2414761	DRIVEN ROLLER:DIA16	U013_S001	183
D2414762	DRIVEN ROLLER:DIA18	U013_S001	184

Number	Part Name	Group	ID
D2414763	GUIDE:HARNESSENTRANCE SENSOR:DUPLEX	U013_S001	185
D2414765	PULLEY:T26	U013_S001	186
D2414766	PULLEY:T26/T26	U013_S001	187
D2414923	STAY:CONTACT POINT:DUPLEX	U013_S001	188
D2414937	TENSION SPRING:GATE:REVERSE	U012_S001	53
D2414941	GATE PAWL:REVERSE:FRONT MIDDLE	U012_S001	54
D2414942	GATE PAWL:REVERSE:REAR MIDDLE	U012_S001	55
D2414943	GATE PAWL:REVERSE:REAR	U012_S001	56
D2414946	SHAFT:GATE PAWL:REVERSE	U012_S001	57
D2414947	GATE PAWL:REVERSE:FRONT	U012_S001	58
D2414950	ROLLER:EXIT:PRESSURE:2TYPE:ASS'Y	U012_S001_S001	59
D2414955	HOLDER:ROLLER:EXIT:PRESSURE:2TYPE	U012_S001	60
D2414957	SHAFT:ROLLER:PRESSURE:EXIT:2TYPE	U012_S001_S001	61
D2414962	ROLLER:DRIVEN:EXIT	U012_S001_S001	62
D2414964	ROLLER:EXIT:PRESSURE	U012_S001_S001	63
D2414965	COLLAR:ROLLER:EXIT:PRESSURE	U012_S001_S001	64
D2414971	LINK:PLATE:EXIT	U012	65
D2414972	GUIDE:PLATE:EXIT	U012	66
D2414976	ROLLER:EXIT:PRESSURE:MIDDLE	U012_S001_S001	67
D2414977	ROLLER:DRIVEN:EXIT:MIDDLE	U012_S001_S001	68
D2414978	COLLAR:ROLLER:EXIT:PRESSURE:BOTH ENDS	U012_S001_S001	69
D2414981	COIL SPRING:ROLLER:PRESSURE:EXIT	U012_S001	70
D2414992	DISCHARGE BRUSH:EXIT	U012_S001	71
D2414996	DC SOLENOID:ASS'Y:(SOL2)	U012_S001	72
D2414998	CUSHION:DC SOLENOID:4MM	U012_S001	73
D2415738	BRACKET:MAIN SWITCH	U015	77
D2415764	COVER:POWER PACK:CB	U015	78
D2415800	RACK:RIGHT:AUXILIARY	U015	79
D2415801	COVER:RACK:REAR	U015	80

## Exclusive Parts

Number	Part Name	Group	ID
D2415803	GUIDE:HARNESSES:C/T BOX	U015	81
D2415831	CAP:GUIDE:WIRE	U015	82
D2415832	CAP:GUIDE:COIL SPRING	U015	83
D2415841	BASE:GUIDE:WIRE	U015	84
D2415842	COVER:GUIDE:WIRE	U015	85
D2415850	WIRE:CHARGE:K	U015	86
D2415851	WIRE:DEVELOPMENT:K	U015	87
D2415852	WIRE:CHARGE:C	U015	88
D2415853	WIRE:DEVELOPMENT:C	U015	89
D2415854	WIRE:CHARGE:M	U015	90
D2415855	WIRE:DEVELOPMENT:M	U015	91
D2415856	WIRE:CHARGE:Y	U015	92
D2415857	WIRE:DEVELOPMENT:Y	U015	93
D2415875	WIRE:CHARGE:CB	U015	94
D2415876	WIRE:DEVELOPMENT:CB:K	U015	95
D2415877	WIRE:DEVELOPMENT:CB:C	U015	96
D2415878	WIRE:DEVELOPMENT:CB:M	U015	97
D2415879	WIRE:DEVELOPMENT:CB:Y	U015	98
D2416240	LEVER:PRESSURE:TRANSFER ROLLER:FRONT:DIA19.5	U009_S002	45
D2416241	LEVER:PRESSURE:TRANSFER ROLLER:REAR:DIA19.5	U009_S002	46
D2416250	GROUND WIRE:BRACKET:ENTRANCE SENSOR	U009_S002	47
D2416256	GROUND PLATE:GUIDE:TRANSPORT	U009_S002	48
D2416258	COVER:TRANSFER/SEPARATION UNIT	U009_S002	49
D2416275	SHEET:ENTRANCE:TRANSFER	U009_S002	50
D2416290	LED:RED	U009_S002	51
D2416346	PLAIN SHAFT BEARING:ROLLER:BACK UP:FRONT:PRESS FIT	U008_S001_S001	50
D2416347	PLAIN SHAFT BEARING:ROLLER:BACK UP:REAR:PRESS FIT	U008_S001_S001	51
D2417913	DUCT:OPTICAL WRITING UNIT	U001_S001	60
D2417941	DUCT:EXHAUST:UPPER:A	U016	49
D2417942	DUCT:EXHAUST:UPPER:B	U016	50
D2417943	DUCT:EXHAUST:UPPER:C	U016	51

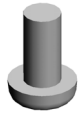
Number	Part Name	Group	ID
D2417944	DUCT:EXHAUST:UPPER:D	U016	52
D2417983	DUCT:DEVELOPMENT:REAR:A	U016	53
D2417984	DUCT:DEVELOPMENT:REAR:B	U016	54
D2426432	FEELER:COLLECTION BOTTLE	U010_S001	35
D3G32202	(EU/AA/IND/CHN/KOR):HEATER:PHOTOCONDUCTOR:ASS'Y	U018_S001	15
D3G36650	(EU/AA/IND/CHN/KOR):ELECTRICAL COMPONENTS SECTION:SCANNER 200V:ASS'Y	U018_S002	16
D3G36662	(EU/AA/IND/CHN/KOR):ELECTRICAL COMPONENTS SECTION:PAPER TRAY 200V:ASS'Y	U018_S004	17
D6842163	SYNCHRONOUS BELT:40S2M122	U012_S001	74
G1045141	(CHN):KNOB SCREW:M3	U015	99
GA003929	DECAL:OPERATE:4X27	U011_S001	74
GA003930	DECAL:LEVER:FRONT:FUSING	U011_S001	75
GA003931	DECAL:LEVER:REAR:FUSING	U011_S001	76
GA003932	DECAL:LEVER:RELEASE	U011_S001	77
GA003933	DECAL:OPERATE:4X10.5	U011_S001	78
GA003934	DECAL:OPERATE:4X41	U008_S001	52
GA003960	DECAL:POSITIONING DISPLAY:6.5X9	U008	53
GA003969	DECAL:POSITIONING DISPLAY:FUSING UNIT:MAIN	U016	55
GA003995	DECAL:DESIGN SKETCH:BLACK	U006_S001	21
GA003996	DECAL:DESIGN SKETCH:CYAN	U006_S002	22
GA003997	DECAL:DESIGN SKETCH:MAGENTA	U006_S003	23
GA003998	DECAL:DESIGN SKETCH:YELLOW	U006_S004	24
GA143003	SCREW:MM5:2.5MM	U005	146
		U009_S002	52
GW010007	PHOTO REFLECTION SENSOR:EXIT:(S3/S8/S9/S10/S12/S14/S16/S24)	U005	147
		U005_S001	147
		U005_S002	147
		U012_S001	75
		U013_S001	189
GW010009	DENSITY SENSOR:(S48)	U008	54
GW020026	PHOTOINTERRUPTOR:LG2A24RL	U003	67

## Exclusive Parts

Number	Part Name	Group	ID
	1G:(S2/S34/S42)	U009	53
		U010	36
GW140027	TEMPERATURE & HUMIDITY SENSOR:(S41)	U008	55
GW230008	TONER END SENSOR:(S28/S29/S30/S31)	U007_S001	33
		U007_S002	33
		U007_S003	33
		U007_S004	33
M0262734	DECAL:H-TEMP WARNING:HEATER	U018_S003_S001	18
M0662743	FRICTION PAD:MANUAL FEED TABLE:18X7.5	U013_S001_S002_S001	190
M0662749	OIL DAMPER:STRAIGHT:30N	U013_S001_S001	191
M0AJ1092	CAM:LOCK:PCU	U016	56
M0AJ1093	COMPRESSION SPRING:LOCK:PCU	U016	57
M0AJ1384	BRACKET:INPUT:FUSING DRIVE UNIT	U014	64
M0AJ4271	COVER:LEVER:FUSING:REAR	U011_S001	79
M0AJ4272	HOOK:FUSING:REAR	U011_S001	80
M0AJ4273	LEVER:FUSING	U011_S001	81
M0AJ4278	COVER:LEVER:FUSING:FRONT	U011_S001	82
M0AJ4279	HOOK:FUSING:FRONT	U011_S001	83
M0AJ4981	DECAL:EXIT:GUIDE P:LOWER:MIDDLE	U012_S001	76
M0AJ4982	DECAL:EXIT:GUIDE P:LOWER:INNER BACK	U012_S001	77
M0AJ6036	CAM:ON-OFF:BK	U008_S001_S001	56
M0AJ6037	STOPPER:RIGHT:INTERMEDIATE TRANSFER	U008_S001_S001	57
M0AJ7991	DUCT:DEVELOPMENT:EXHAUST:A	U016	58
M0AJ7992	DUCT:DEVELOPMENT:EXHAUST:B	U016	59
M0AJ7993	DUCT:DEVELOPMENT:EXHAUST:C	U016	60
M0AJ7994	SEAL:CAP:FILTER	U016	61
M0AJ7995	SEAL:DUCT:DEVELOPMENT:EXHAUST	U016	62
M0B19500	USB 3.0 CARD READER	SPECIAL TOOLS	8

Number	Part Name	Group	ID
M0BW6228	TORSION SPRING:SEPARATION/TRANSPORT:28N	U009_S002	54
M0BW6246	LINK:TRANSFER/SEPARATION UNIT:MO	U009_S002	55
M0BW7945	DEODORIZE FILTER	U016	63
VSSG0006	DRYSURF:MDF-2400E 25G	SPECIAL TOOLS	9
VSSG9002	FLUOTRIBO MG GREASE: 100G	SPECIAL TOOLS	10
VSSG9006	MOLYKOTE(R) G-1077 GREASE 50G (Noise-reduction grease)	SPECIAL TOOLS	11
VSSG9008	FLOIL-G348 GREASE 20G	SPECIAL TOOLS	12
VSST9003	C-5Y COLOR TEST CHART (2 SHEETS X 3 / set)?	SPECIAL TOOLS	13

## Standard Parts



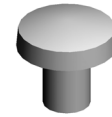
03130060N  
SCREW - M3X6



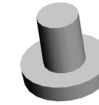
03140120N  
SCREW - M4X12



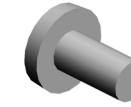
03530030N  
SCREW:M3X3



03530040N  
SCREW - M3X4



03530040P  
SCREW - M3X4



03530060N  
BIND SCREW - M3X6



03530060P  
SCREW:M3X6



03603006N  
SCREW - M3X6



03603006P  
SCREW - M3X6



03603016N  
SCREW - M3X16



04503025N  
TAPPING SCREW:3X25



04503035N  
TAPPING SCREW:3X35



04513006N  
TAPPING SCREW - 3X6



04513008N  
TAPPING SCREW - M3X8



04513025N  
TAPPING SCREW:M3X25



04533008N  
BINDING SELF TAPPING SCREW:3X8



04543006N  
TAPPING SCREW:ROUND POINT:3X6



04543006Q  
TAPPING SCREW - M3X6



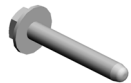
04543008N  
TAPPING SCREW:ROUND POINT:3X8



04543008Q  
TAPPING SCREW:3X8



04543010Q  
TAPPING SCREW:3X10



04543020Q  
TAPPING SCREW::3X20



04583008N  
HEXAGON HEAD TAPPING SCREW:3X8



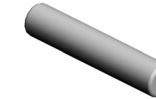
04583010N  
HEXAGON HEAD TAPPING SCREW:3X10



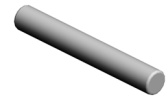
04593008N  
BINDING HEAD TAPPING SCREW:3X8



04593010N  
BINDING HEAD TAPPING SCREW:3X10



06320100G  
PIN - 2X10MM



06320140G  
PARALLEL PIN



## Standard Parts



06330100G  
PARALLEL PIN - 3X10



07200020G  
RETAINING RING - M2



07200025E  
RETAINING RING - M2.5



07200030E  
RETAINING RING - M3



07200040E  
RETAINING RING - M4



07200060E  
RETAINING RING - M6



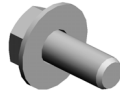
07250170E  
RETAINING RING C - M17



08025299  
TAPPING SCREW - M3X8



08025328  
HEXAGON HEAD TAPPING S  
CREW:3X40



08046123  
HEXAGONAL BOLT:W/WASH  
ER:M3X8



08046128  
HEXAGONAL BOLT:DOUBLE  
SCREW:M3X10



08050089  
RETAINING RING - M4



08050100  
RETAINING RING - M2.5



08050103  
RETAINING RINGS-E:SILENC  
ER:DIA3



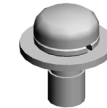
08050104  
RETAINING RINGS-E:SILENC  
ER:DIA4



08050106  
RETAINING RINGS-E:SILENC  
ER:DIA6



09543005N  
SCREW:POLISHED ROUND/  
SPRING:M3X5



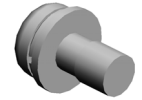
09544008N  
SCREW - M4X8



09573006N  
SCREW:SMALL ROUND/SPRI  
NG:M3X6



09573010N  
SCREW:SMALL ROUND/SPRI  
NG:M3X10



09574008N  
SCREW:SMALL ROUND/SPRI  
NG:M4X8



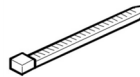
11024559  
CONNECTOR - 3P



11036252  
CONNECTOR:16R-GRM-DH3  
GB-RG-A



11036266  
CONNECTOR:16RG022-3218



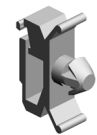
11050046  
HARNESS BAND



11050488  
HARNESS CLAMP

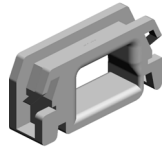


11050692  
CLAMP:LES-0503



11050713  
CLAMP:LWSM-0306H GRAY

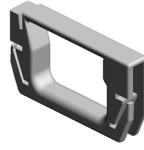
## Standard Parts



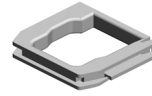
11050723  
CLAMPS:WES-0507



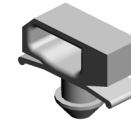
11050724  
CLAMPS:WES-1210



11050725  
CLAMPS:WES-1117



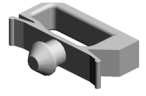
11050726  
CLAMPS:WES-2217



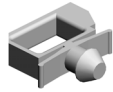
11050758  
CLAMP:LWSM-0306A



11050759  
CLAMP:LWSM-0605A



11050760  
CLAMP:LWSM-0511A



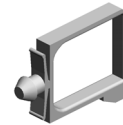
11050762  
CLAMP:LWS-0711A



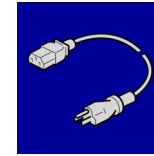
11050763  
CLAMP:LWS-1211A



11050764  
CLAMP:LWS-1316A



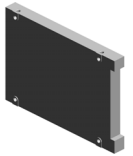
11050765  
CLAMP:LWS-2218A



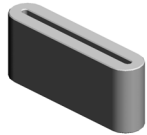
11500509  
(CHN):POWER SUPPLY COR  
D:250V:10A



12042612  
MICRO SWITCH:D3V-16506-3  
C25:(SW2)



14078925  
ROM STORAGE:SSD SATA 2  
56GB GEN2



16072525  
FERRITE CORE:K3 FF 35.00X  
14.60X7.70X1.40

## PM Part List

Number	Part Name	Num	Group	ID
D0E12215	PCU:K:IMC3010-6010	1	U006_S001_S001	11
D0E37935	CAP:FILTER:ASS'Y	1	U016_S003	28

