

IM C2010/C2510/GS4020c/GS4025c
(D0DY/D0DZ-CHN)
Parts Catalog

Parts change information sample

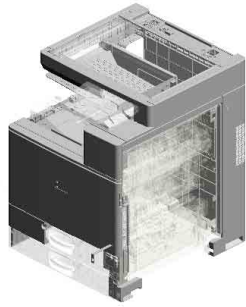
 **Add**

 **Update**

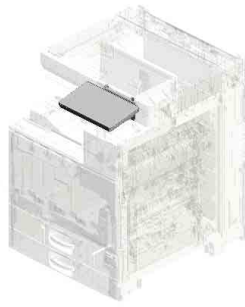
 **Delete**

Model	Product Code	PC Style
IM C3010/C3510 Series	D0E0/D0E1	3D
IM C4510/C5510/C6010 Series	D0E2/D0E3/D0E4	3D
IM C2010/C2510 Series	D0DY/D0DZ	3D
Booklet Finisher SR3330	D3K5	3D
Finisher SR3320	D3K4	3D
Platen Cover PN2010	D3KV	3D
ARDF DF3140	D3KK	3D
Caster Table Type M52	D3KV	3D
Punch Unit PU3100	D3KP	3D
Paper Feed Unit PB3340	D3KD	3D
LCIT PB3330	D3KA	3D
Paper Feed Unit PB3310	D3KB	3D
LCIT RT3050	D3K9	3D
Internal Finisher SR3310	D3KG	3D
Bridge Unit BU3100	D3KE	3D
1 Bin Tray BN3140	D3KL	3D
Internal Shift Tray SH3090	D3KJ	3D
Side Tray Type M52	D3KH	3D
Paper Feed Unit PB3320	D3KC	3D
Internal Finisher SR3360	D3KF	3D
Toner Bottle Lock Type M52	D3KW	3D
Banner Paper Guide Tray Type M52	D3KV	3D
Output Jogger Unit Type M52	D3KN	3D
Page Keeper Type M52	D3KR	3D
Card Reader Cover Type M52	D3KV	3D
Stapleless Unit Type M52	D3KM	3D
Punch Unit PU3110	D3KZ	3D
SPDF DF3150	D3K3	3D
Internal Multi-Fold Unit FD3020	D3K8	3D
Booklet Finisher SR3350	D3K6	3D
Finisher SR3340	D3K7	3D
Fax memory Unit Type M52	D3KW	Traditional
Fax Connection Unit Type M52	D3KW	Traditional
Fax Option Type M52	D3KW	Traditional
G3 Interface Unit Type M52	D3KW	Traditional
Camera Direct Print Card Type M52	D3KW	Traditional
OCR Unit Type M52	D3KW	Traditional
XPS Direct Print Option Type M52	D3KW	Traditional
PostScript3 Unit Type M52	D3KW	Traditional
IPDS Unit Type M52	D3KW	Traditional
SD Card for Fonts Type M52	D3KW	Traditional
File Format Converter Type M19	D3BR	Traditional
HDD Option Type M52 320GB	D3KW	Traditional
SSD Option Type M52 1TB	D3KW	Traditional
Device Server Option Type M52	D3KW	Traditional
Enhanced Security SSD Option Type M52 256GB	D3KW	Traditional
Imageable Area Extension Unit Type M19	D3BR	Traditional
IEEE 802.11 a/b/g/n/ac Interface Unit Type M52	D3KW	Traditional
Key Counter Bracket Type M3	D739	Traditional
NFC Card Reader Type M52	D3KV	Traditional
Optional Counter Interface Unit Type M12	B870	Traditional

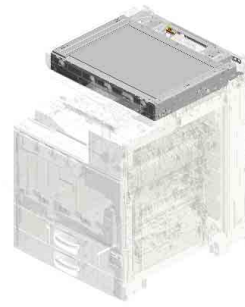
Unit All



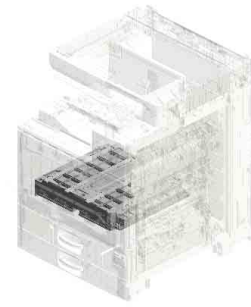
U001
EXTERIOR



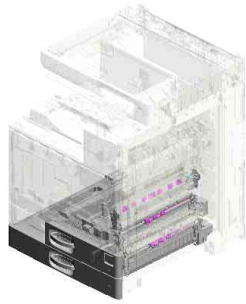
U002
OPERATION



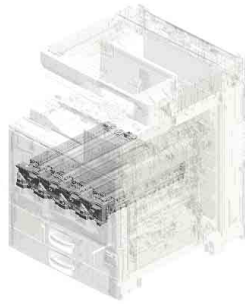
U003
SCANNER



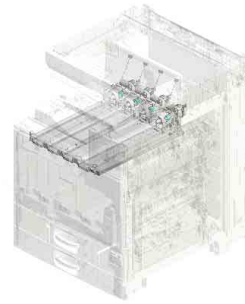
U004
LASER UNIT



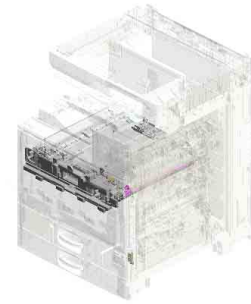
U005
PAPER FEED



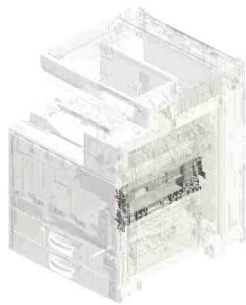
U006
PCDU



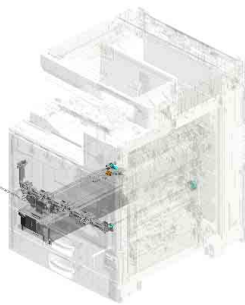
U007
DEVELOPMENT



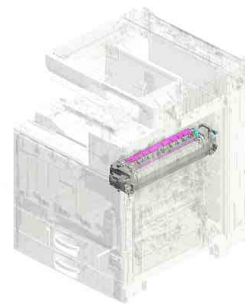
U008
ITB UNIT



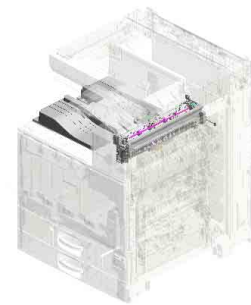
U009
TRANSFER/SEPARATION



U010
USED TONER

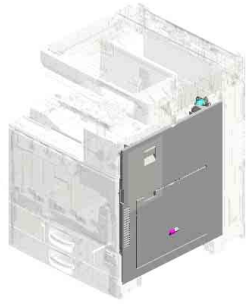


U011
FUSING

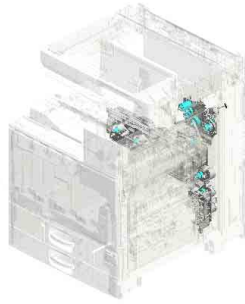


U012
PAPER EXIT

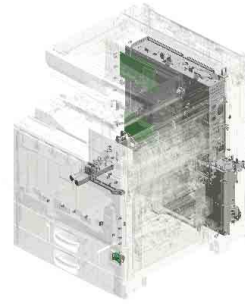
Unit All



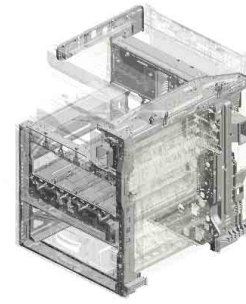
U013
DUPLEX



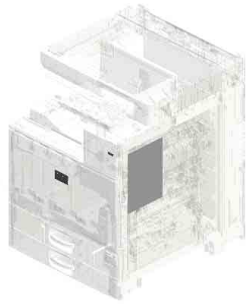
U014
MAIN DRIVE



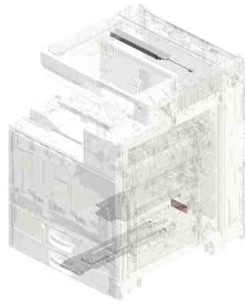
U015
ELECTRICAL



U016
MAIN FRAME



U017
ACCESSORIES



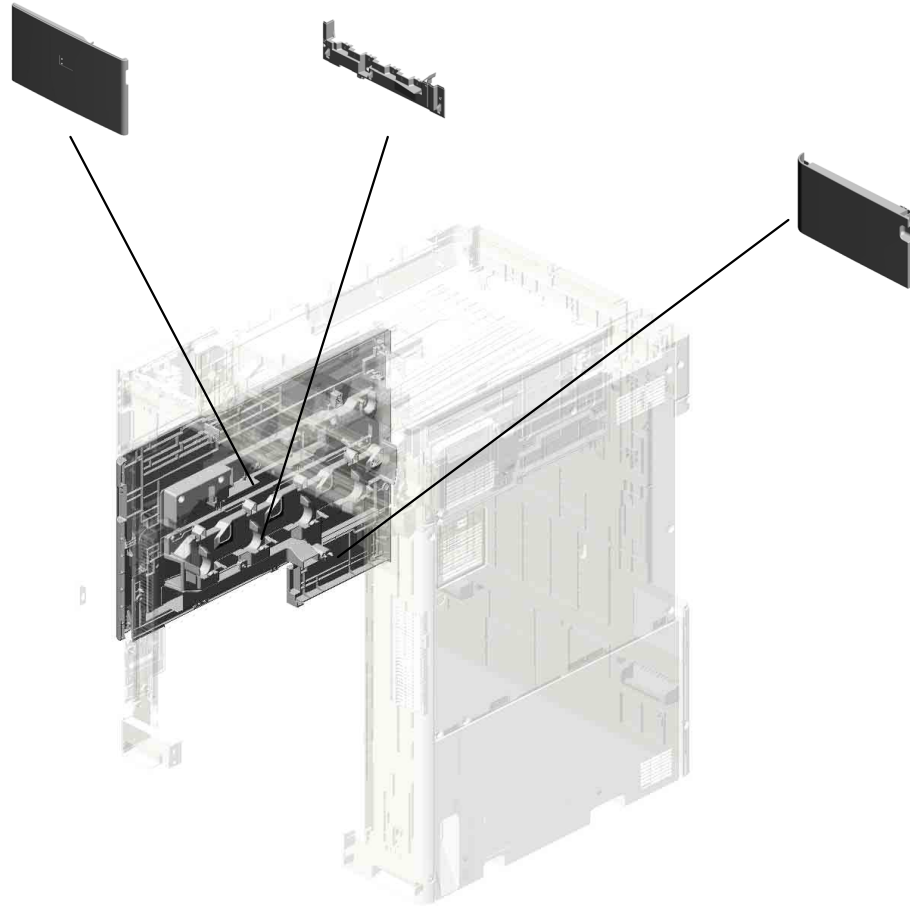
U018
HEATER

U001.EXTERIOR

U001 S002
D0E31240
COVER:FRONT:ASS'Y

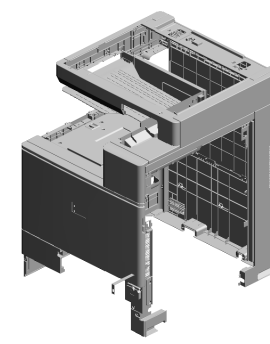
U001 S001
D0E31274
INNER COVER:FRONT:LOW
ER:SUB-ASS'Y

U001 S003
D0E31246
COVER:FRONT:USED TONE
R:ASS'Y

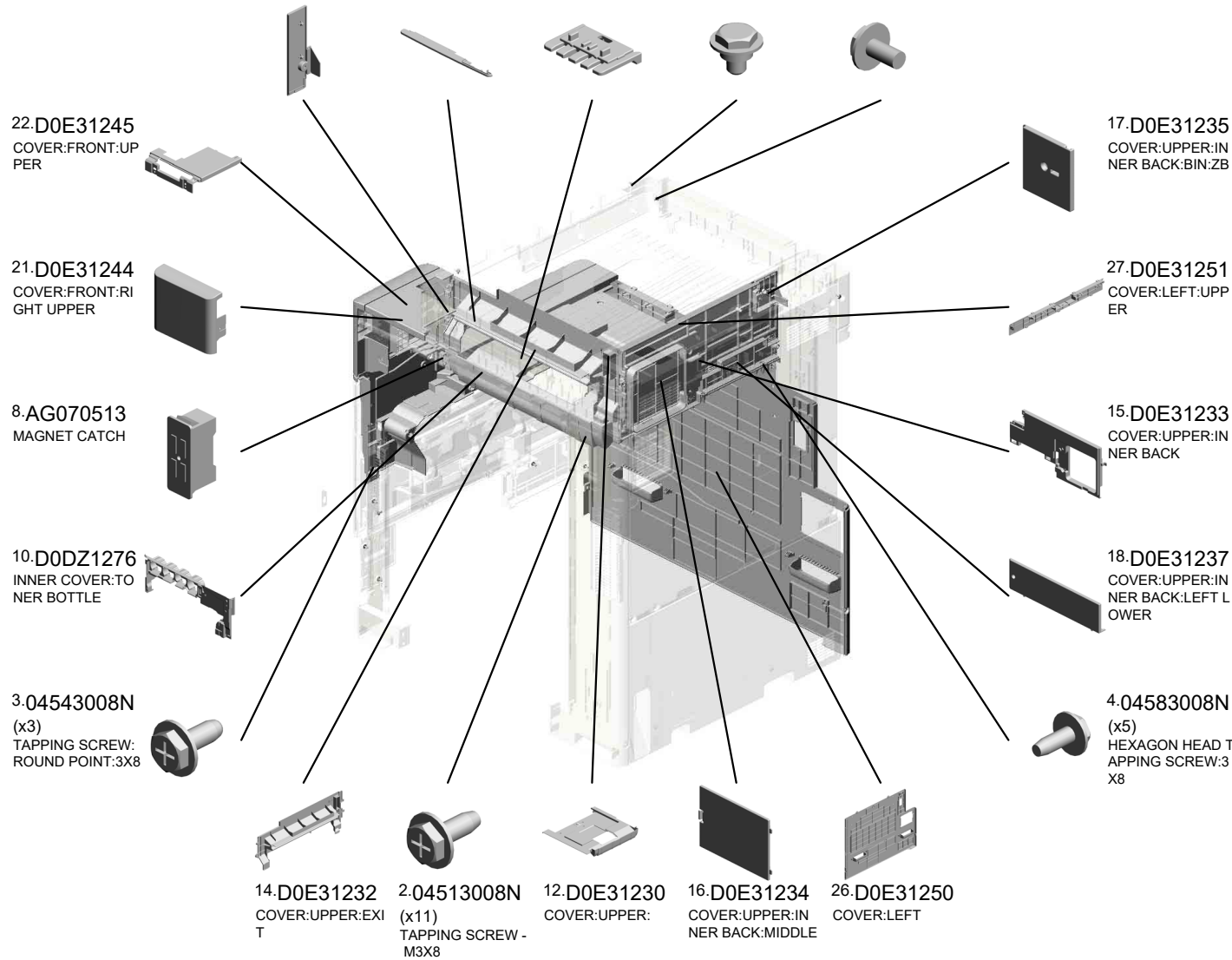


U001	U002	U003	U004	U005	U006	U007	U008	U009	U010	U011	U012	U013	U014	U015	U016	U017	U018
------	------	------	------	------	------	------	------	------	------	------	------	------	------	------	------	------	------

U001 EXTERIOR

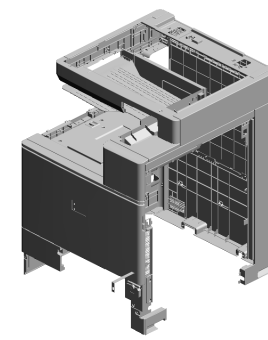


- 25.D0E31248 COVER:FRONT:LENGTHWISE
- 13.D0E31231 COVER:UPPER:FRONT
- 11.D0DZ1313 (x4) KEY:TYPE:TONER BOTTLE
- 7.AA143537 (x2) SCREW:M3:BLACK
- 1.03603006P (x2) SCREW - M3X6



U001 EXTERIOR

- 41.D0E31287 COVER:SCANNER:RIGHT
- 39.D0E31281 COVER:SCANNER:FRONT
- 49.D1491278 TORSION SPRING:COVER:USED TONER
- 45.D0E34492 TRAY:REVERSE
- 40.D0E31284 COVER:SCANNER:LEFT



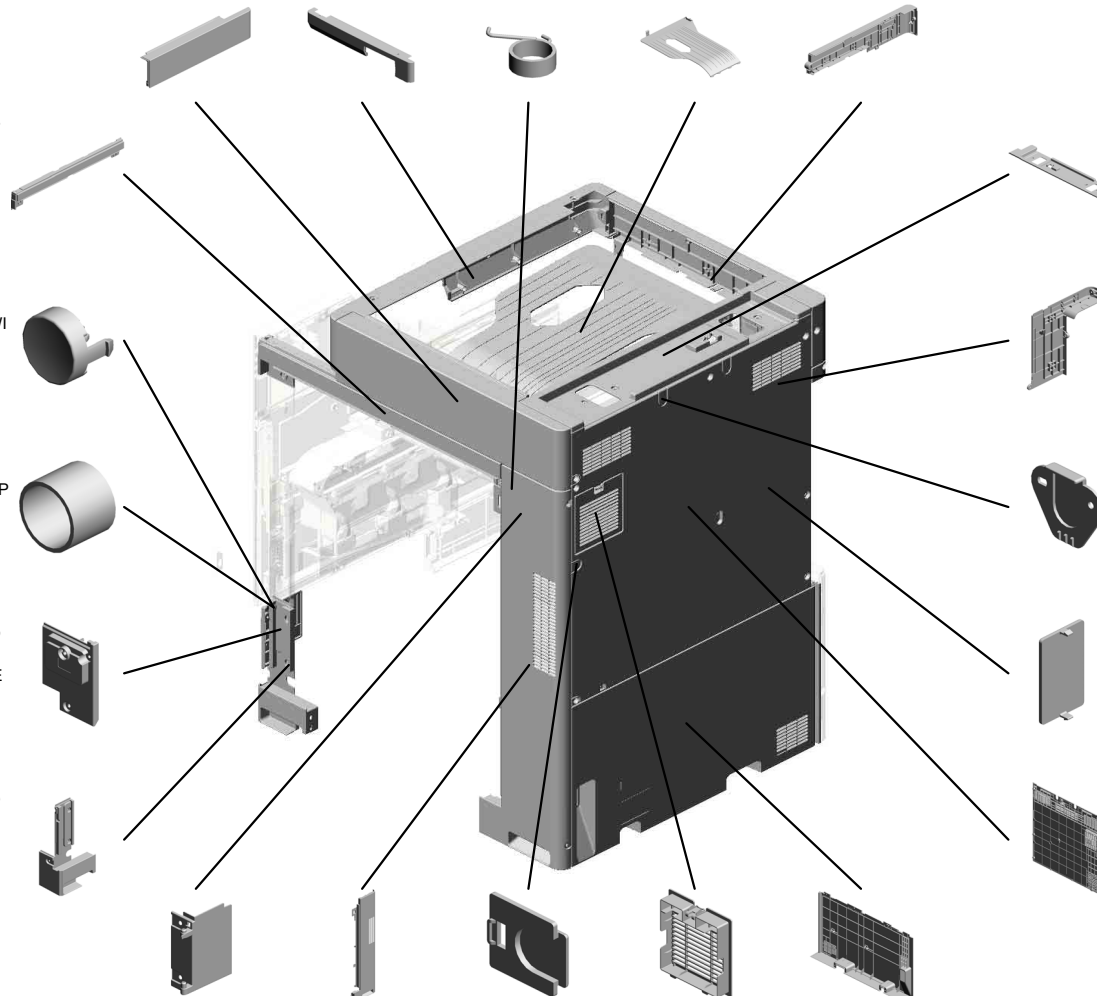
35.D0E31267
COVER:RIGHT:UPPER

51.D1495883
KEYTOP:MAIN SWITCH

52.D1495884
COMPRESSION SPRING:KEYTOP

38.D0E31275
INNER COVER:FRONT:RIGHT LOWER

34.D0E31266
COVER:RIGHT:FRONT LOWER



42.D0E31290
COVER:SCANNER:UPPER:REAR

28.D0E31252
COVER:LEFT:UPPER:REAR

44.D0E31294
(x2)
(NA/IM C2010/EU/IM C2010/C2510/JAA/TWN/IND/CHN/KOR):CAP:HARNESS:CORNER:ZB

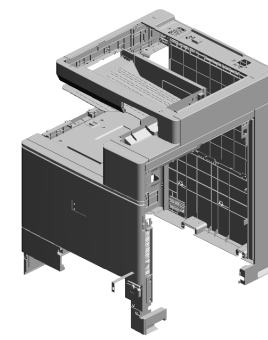
29.D0E31257
CAP:34X55:ZB

31.D0E31261
COVER:REAR

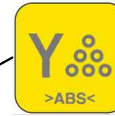
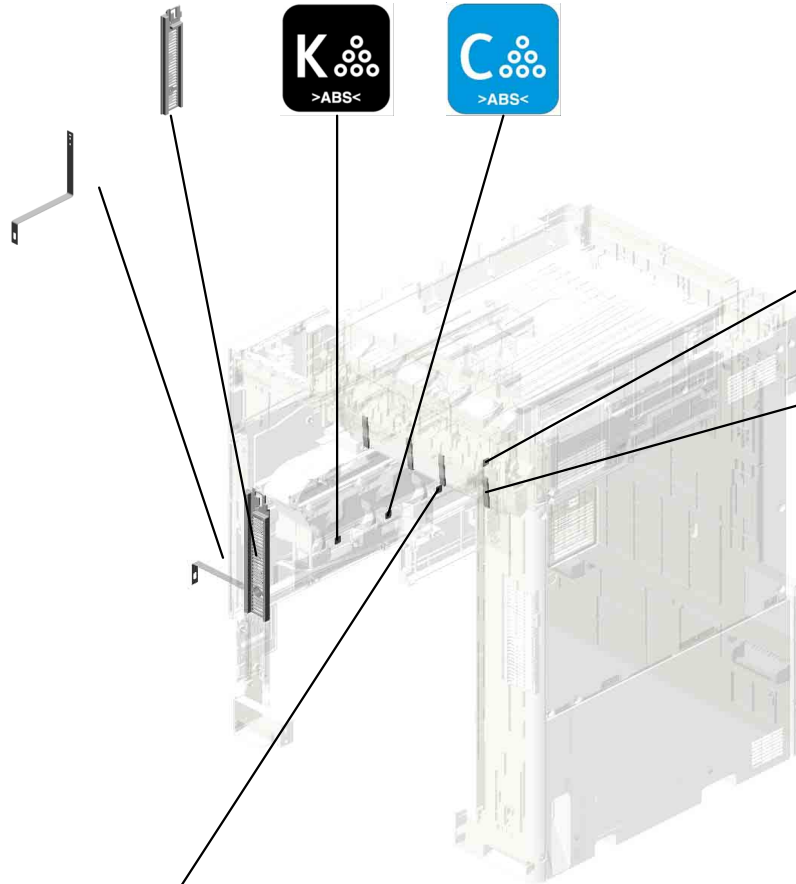
- 48.D1491274 INNER COVER:FRONT:USED TONER
- 33.D0E31265 COVER:RIGHT:REAR
- 43.D0E31292 CAP:HARNESS:ZB
- 32.D0E31263 CAP:LOUVER:DEODORIZE FILTER
- 30.D0E31260 COVER:REAR:LOWER

U001
EXTERIOR

57.D2411298 53.D1496893 54.D1496894
INNER COVER:RIG DECAL:PCU:BLAC DECAL:PCU:CYAN
HT K



58.D2411308
BAND:STOPPER:DOOR



56.D1496896
DECAL:PCU:YELLOW



60.D2414458
(x4)
GUIDE:COVER:UPPER

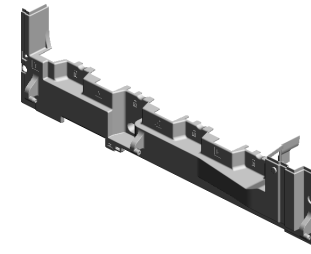


55.D1496895
DECAL:PCU:MAGENTA

U001	U002	U003	U004	U005	U006	U007	U008	U009	U010	U011	U012	U013	U014	U015	U016	U017	U018
------	------	------	------	------	------	------	------	------	------	------	------	------	------	------	------	------	------

U001_S001
INNER COVER:FRONT:LOWER:SUB-ASS'Y

36.D0E31273
INNER COVER:FR
ONT:LOWER

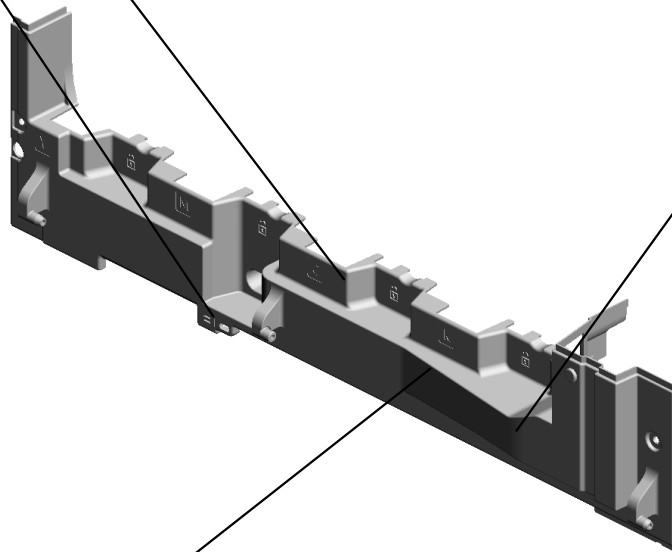


37.D0E31274
INNER COVER:FR
ONT:LOWER:SUB-
ASS'Y

6.AA021031
MAGNETIC CATCH



4.04583008N
(x3)
HEXAGON HEAD T
APPING SCREW:3
X8



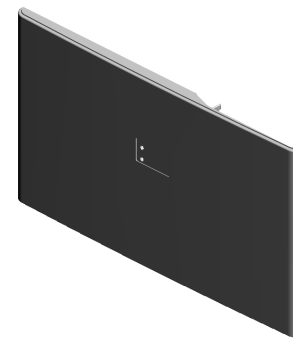
61.D2417913
DUCT:OPTICAL W
RITING UNIT



U001	U002	U003	U004	U005	U006	U007	U008	U009	U010	U011	U012	U013	U014	U015	U016	U017	U018
------	------	------	------	------	------	------	------	------	------	------	------	------	------	------	------	------	------

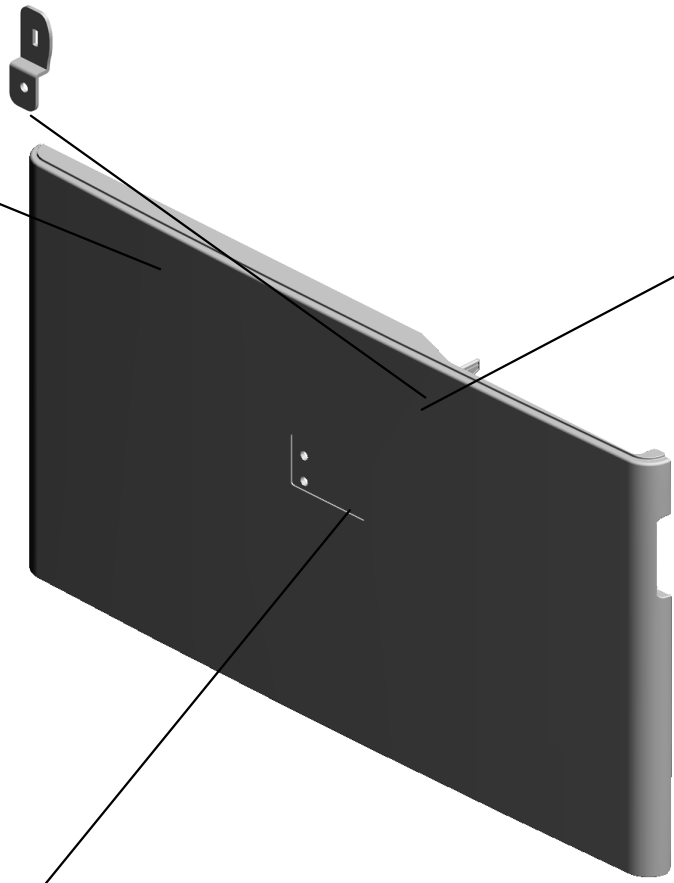
U001_S002
COVER:FRONT:ASS'Y

59.D2411309
MAGNET CATCH:C
2



19.D0E31240
COVER:FRONT:AS
SY

46.D0E36859
DECAL:CLEANING:
SHIELD GLASS



4.04583008N
HEXAGON HEAD T
APPING SCREW:3
X8



20.D0E31242
COVER:FRONT:PE
EN_



U001	U002	U003	U004	U005	U006	U007	U008	U009	U010	U011	U012	U013	U014	U015	U016	U017	U018
------	------	------	------	------	------	------	------	------	------	------	------	------	------	------	------	------	------

U001_S003
COVER:FRONT:USED TONER:ASS'Y

5:52062686
SNAP RING

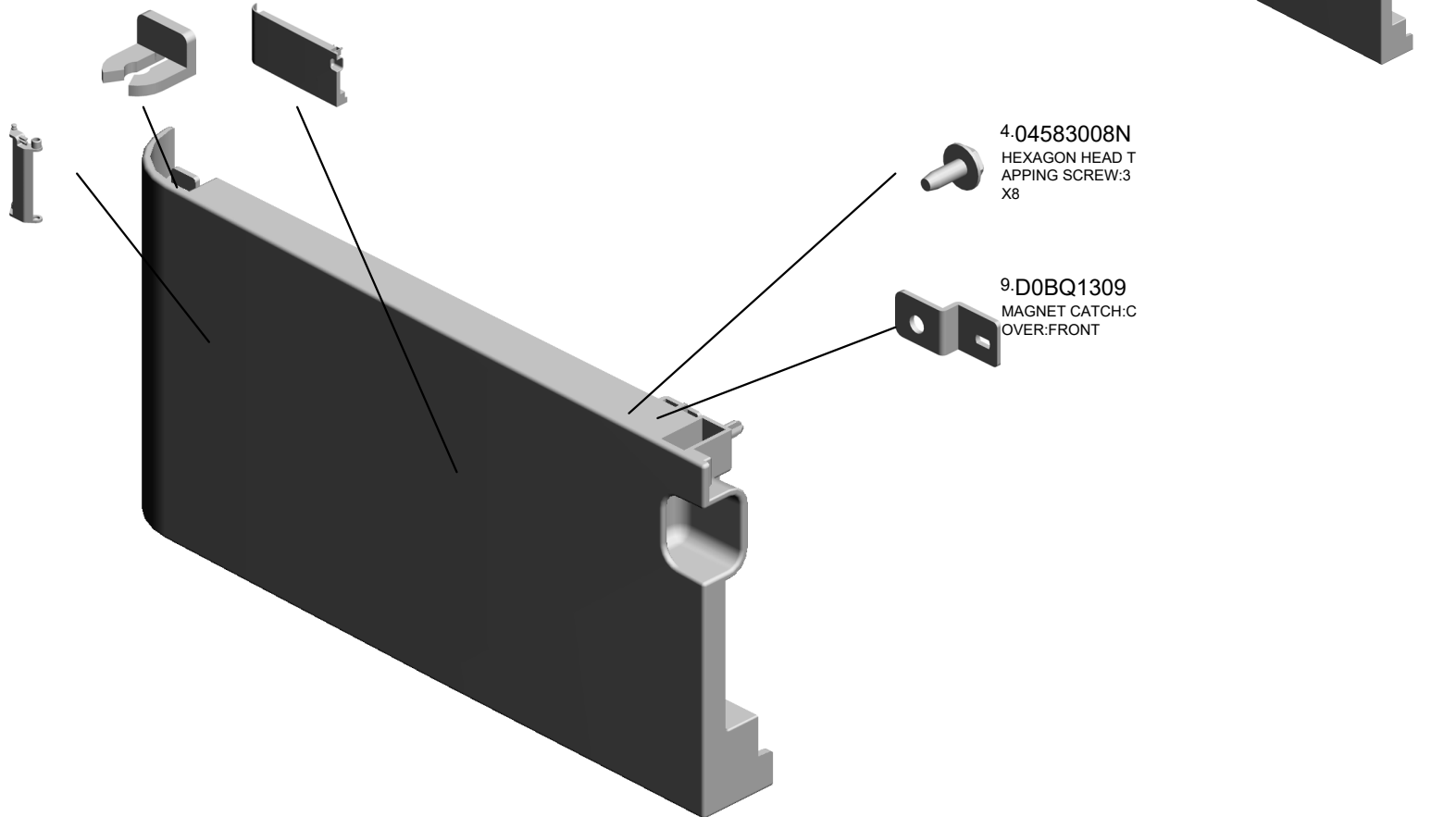
24:D0E31247
COVER:FRONT:US
ED TONER

23:D0E31246
COVER:FRONT:US
ED TONER:ASS'Y

47:D1491248
HINGE:COVER:FR
ONT:USED TONER

4:04583008N
HEXAGON HEAD T
APPING SCREW:3
X8

9:D0BQ1309
MAGNET CATCH:C
OVER:FRONT



U001	U002	U003	U004	U005	U006	U007	U008	U009	U010	U011	U012	U013	U014	U015	U016	U017	U018
------	------	------	------	------	------	------	------	------	------	------	------	------	------	------	------	------	------

U002.OPERATION

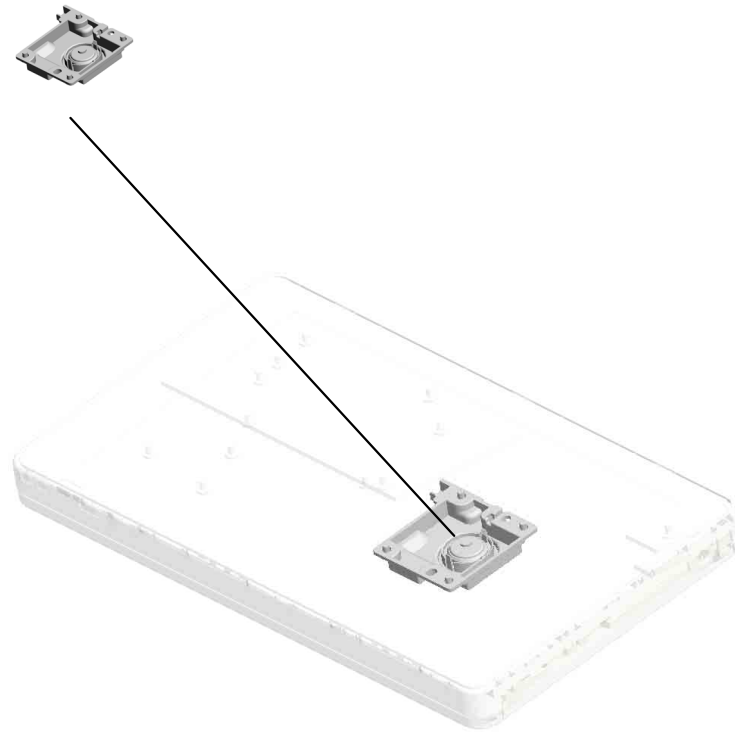
U002 S001
D0E31517
(CHN):OPERATION SUB-UNI
T:COMMON:ASSY



U001	U002	U003	U004	U005	U006	U007	U008	U009	U010	U011	U012	U013	U014	U015	U016	U017	U018
------	-------------	------	------	------	------	------	------	------	------	------	------	------	------	------	------	------	------

U002_S001.(CHN):OPERATION SUB-UNIT:COMMON:ASS'Y

U002 S001 S001
D0E31550
SPEAKER:ASS'Y



U001	U002	U003	U004	U005	U006	U007	U008	U009	U010	U011	U012	U013	U014	U015	U016	U017	U018
------	-------------	------	------	------	------	------	------	------	------	------	------	------	------	------	------	------	------

U002 OPERATION

23.D0E31554 GUIDE:OPERATION SUB-UNIT:HARN
ESS

16.D0E31524 HINGE:LEFT

6.09573006N (x8)
SCREW:SMALL ROUND/SPRING:M3X6



2.03530060P (x8)
SCREW:M3X6



15.D0E31523 HINGE:RIGHT



3.03603006N SCREW - M3X6



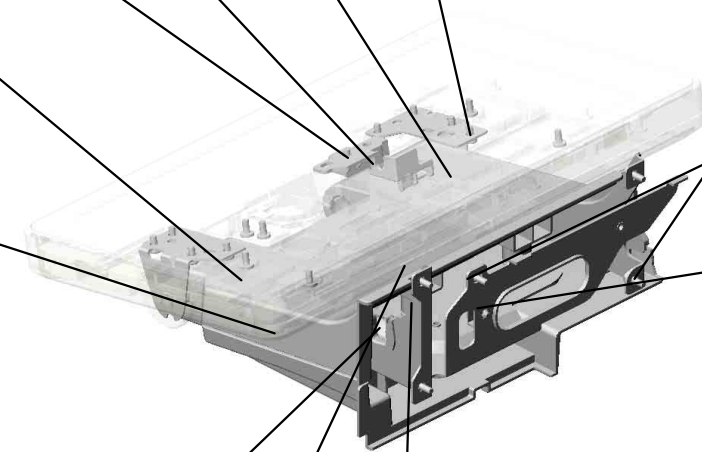
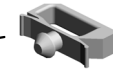
5.08046123 (x9)
HEXAGONAL BOLT :WASHER:M3X8



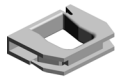
26.D0E31595 BRACKET:OPERATION SUB-UNIT



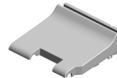
8.11050760 (x3)
CLAMP:LWSM-0511A



7.11050724 CLAMPS:WES-1210



32.D0E31593 COVER:BRACKET:OPERATION SUB-UNIT:UPPER:MF4



31.D0E31592 COVER:BRACKET:OPERATION SUB-UNIT:LOWER:MF4



U002_S001
 (CHN):OPERATION SUB-UNIT:COMMON:ASS'Y

19.D0E31547 COVER:OPERATION SUB-UNIT:KEY SWITCH
 18.D0E31546 KEYTOP:OPERATION SUB-UNIT:SERVICE
 33.D0DY5114 (CHN):PCB:SYSTEM:SUB-ASS'Y
 10.D0DY5101 PCB:IO:SUB-ASS'Y

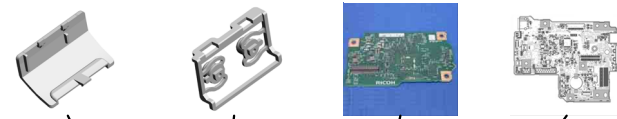


34.D0E31517
 (CHN):OPERATION SUB-UNIT:COMMON:ASS'Y

25.D0E31556
 (x2)
 CUSHION:LCD:S

4.04593008N
 (x8)
 BINDING HEAD TAPPING SCREW:3X8

24.D0E31555
 (x2)
 CUSHION:LCD:L



21.D0E31549
 COVER:OPERATION SUB-UNIT:USB

9.D0BQ5534
 PCB:LED

6.09573006N
 (x11)
 SCREW:SMALL ROUND/SPRING:M3X6

20.D0E31548
 COVER:OPERATION SUB-UNIT:RIGHT



14.D0E31516
 TOUCH PANEL:ASS'Y
 202309-03

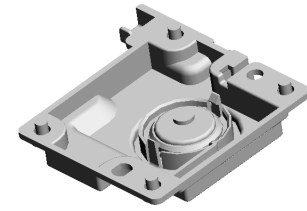
17.D0E31545
 COVER:OPERATION SUB-UNIT:REAR

1.03530040P
 (x16)
 SCREW - M3X4

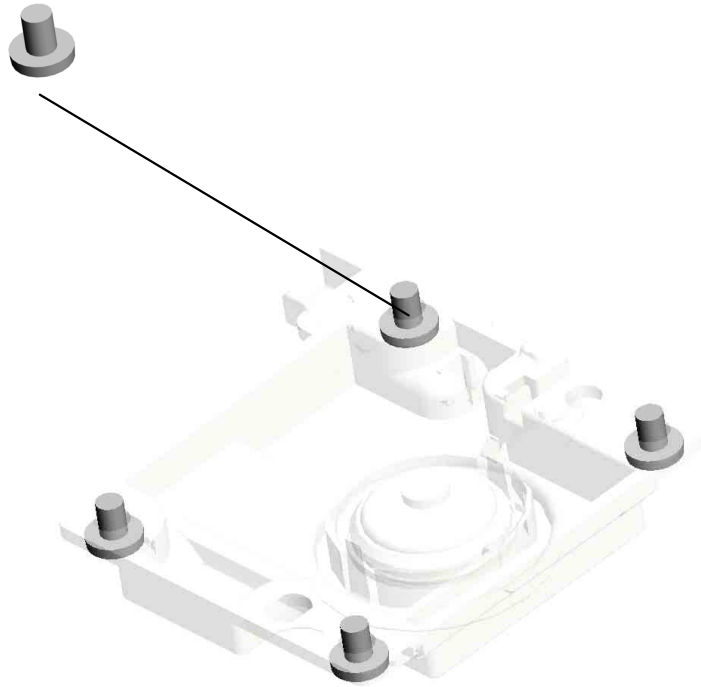
U001	U002	U003	U004	U005	U006	U007	U008	U009	U010	U011	U012	U013	U014	U015	U016	U017	U018
------	-------------	------	------	------	------	------	------	------	------	------	------	------	------	------	------	------	------

U002_S001_S001
SPEAKER:ASS'Y

1-03530040P
(x4)
SCREW - M3X4



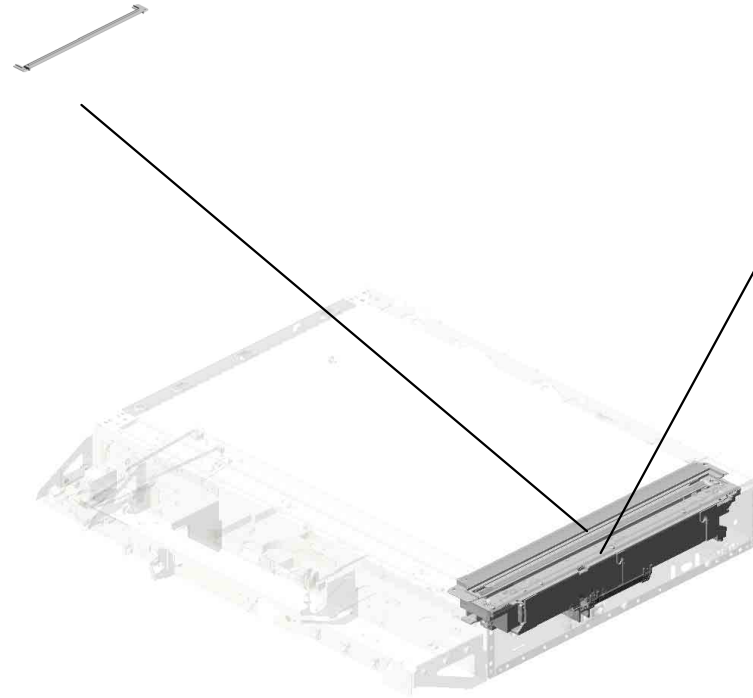
22-D0E31550
SPEAKER:ASS'Y



U001	U002	U003	U004	U005	U006	U007	U008	U009	U010	U011	U012	U013	U014	U015	U016	U017	U018
------	-------------	------	------	------	------	------	------	------	------	------	------	------	------	------	------	------	------

U003.SCANNER

U003 S002
D0E31732
(EU/AA/TWN/IND/CHN/KOR):
SCALE:LEFT:MM:ASSY

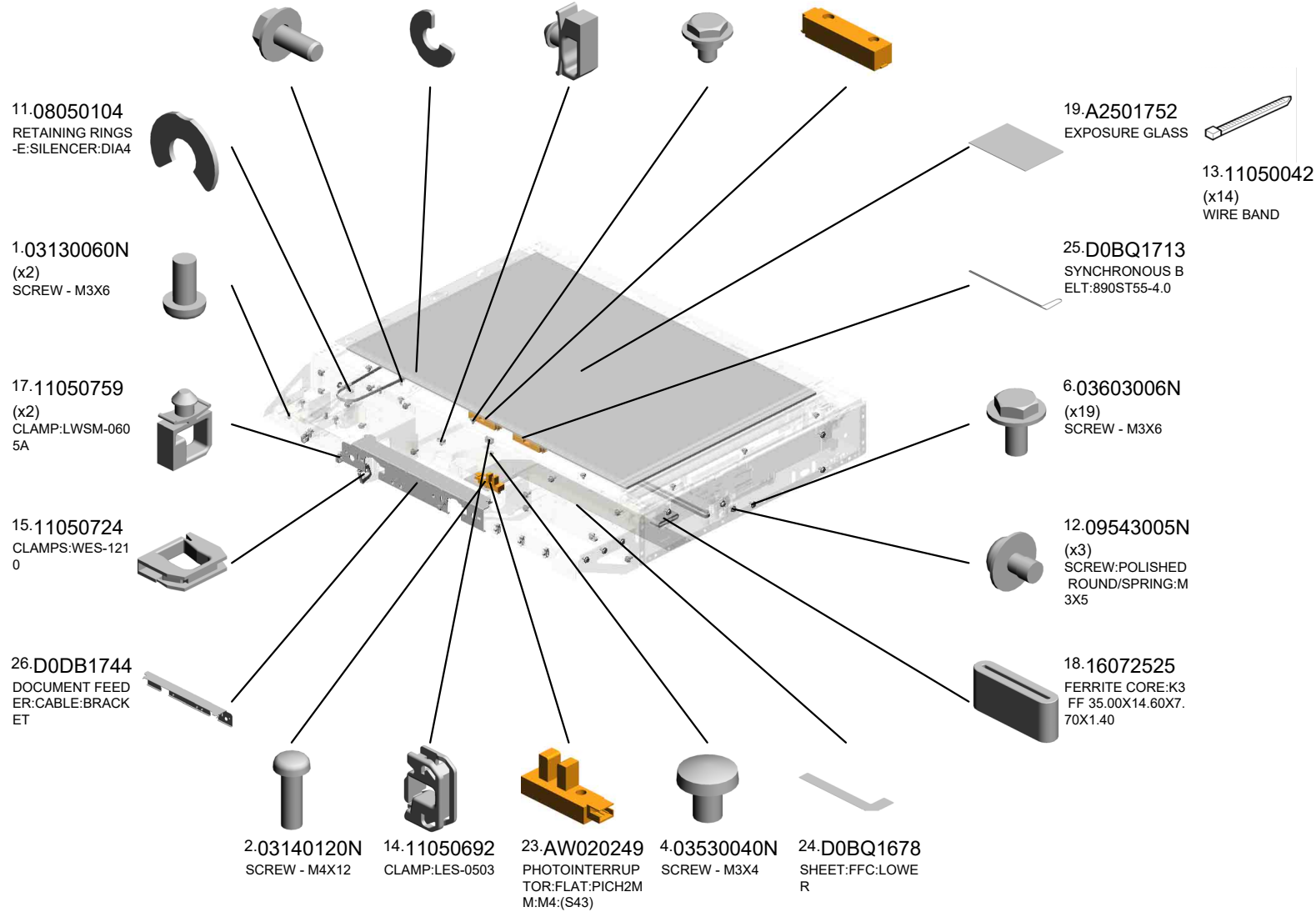
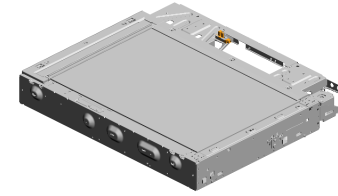


U003 S001
D0E31640
OPTICAL READING UNIT:CA
RRIAGE:SCANNER:IMC2010-
6010

U001	U002	U003	U004	U005	U006	U007	U008	U009	U010	U011	U012	U013	U014	U015	U016	U017	U018
------	------	------	------	------	------	------	------	------	------	------	------	------	------	------	------	------	------

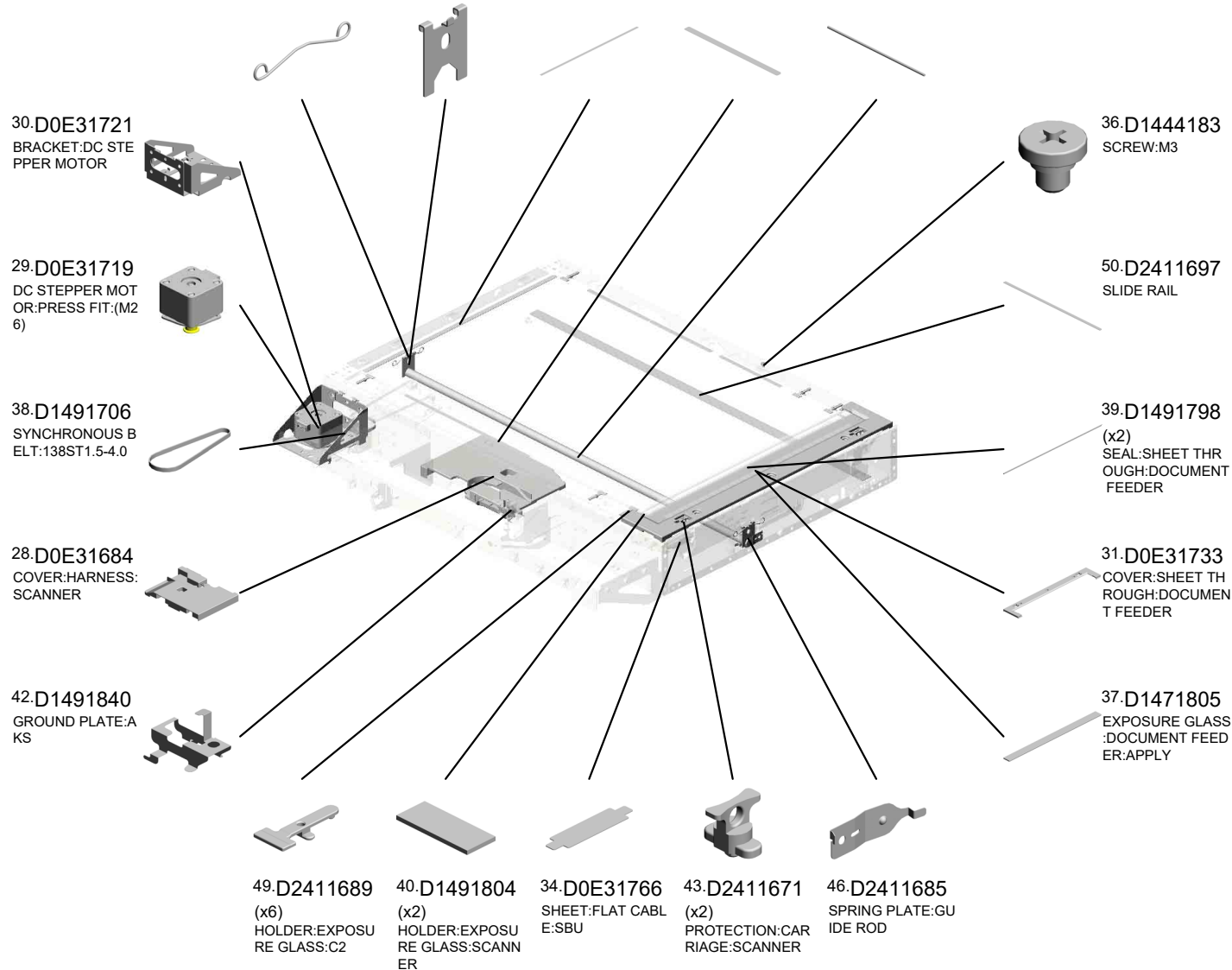
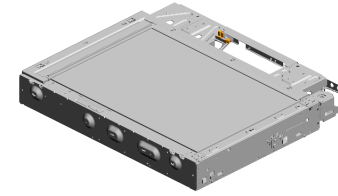
U003 SCANNER

- 8.08046123 (x13) HEXAGONAL BOLT :W/WASHER:M3X8
- 10.08050103 (x3) RETAINING RINGS -E:SILENCER:DIA3
- 16.11050758 (x5) CLAMP:LWSM-030 6A
- 21.AA143537 (x6) SCREW:M3:BLACK
- 22.AW010155 (x2) ORIGINAL SENSO R:66MM:3.3V:(S44/S45)



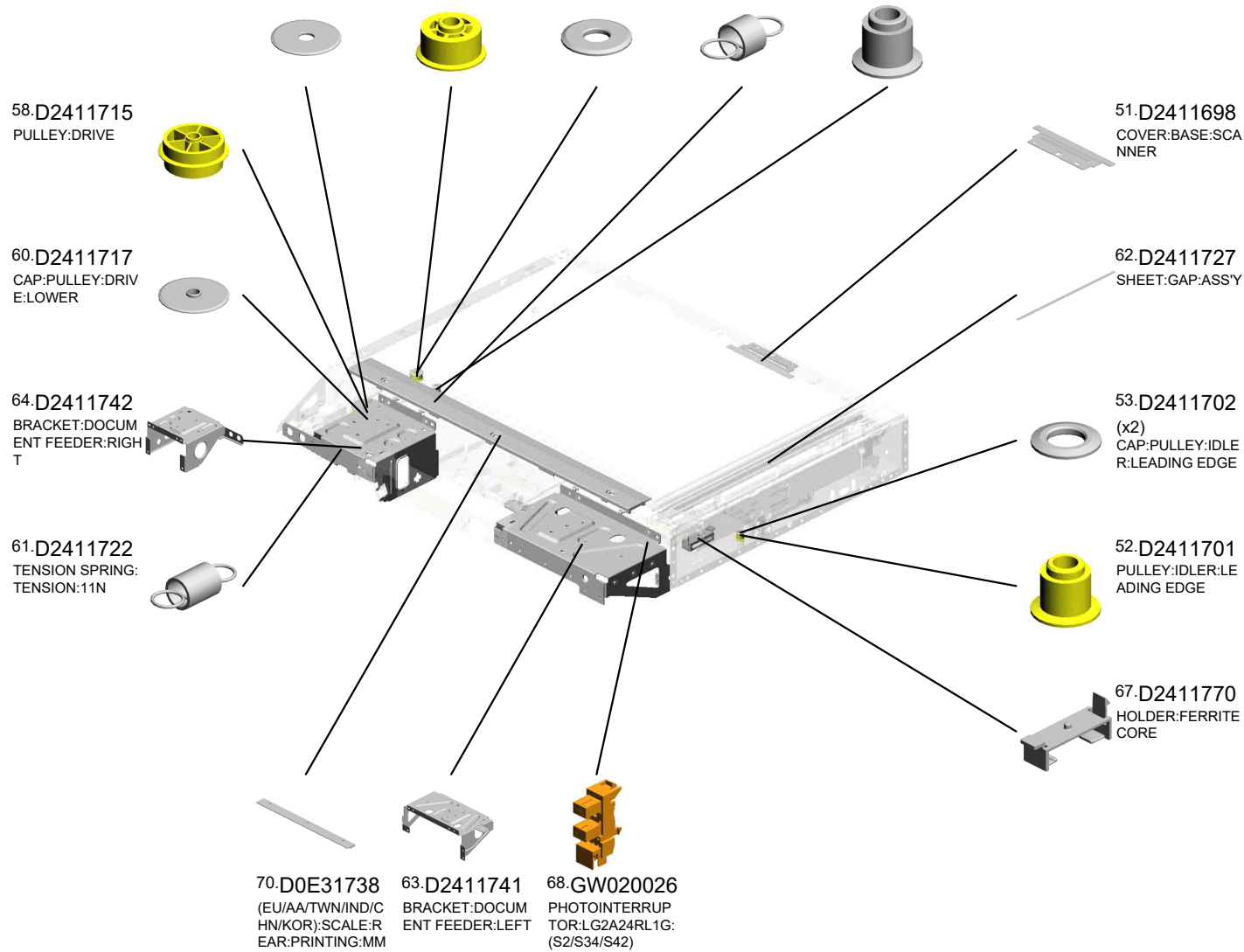
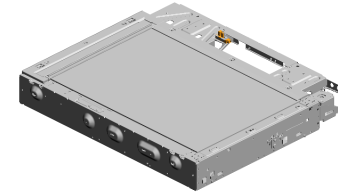
U003 SCANNER

- 47.D2411686 (x2) CLAMP:STAY:GUIDE ROD
- 45.D2411681 (x2) STAY:GUIDE ROD
- 48.D2411688 SHEET:GLASS:LARGE
- 41.D1491833 (x5) SHEET:GLASS
- 44.D2411680 GUIDE ROD



U003 SCANNER

- 59.D2411716 CAP:PULLEY:DRIVE:UPPER
- 55.D2411710 PULLEY:IDLER:TRAILING EDGE
- 56.D2411711 CAP:IDLER:TRAILING EDGE
- 57.D2411712 TENSION SPRING:TIGHTENER:TENSION:4N
- 54.D2411708 TIGHTENER:DIA8



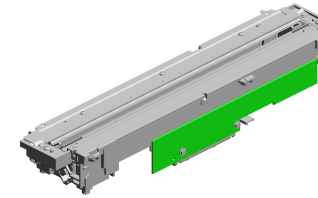
U001	U002	U003	U004	U005	U006	U007	U008	U009	U010	U011	U012	U013	U014	U015	U016	U017	U018
------	------	------	------	------	------	------	------	------	------	------	------	------	------	------	------	------	------

U003_S001
OPTICAL READING UNIT:CARRIAGE:SCANNER:IMC2010-6010

7.04583010N (x4)
HEXAGON HEAD TAPPING SCREW:M3X10

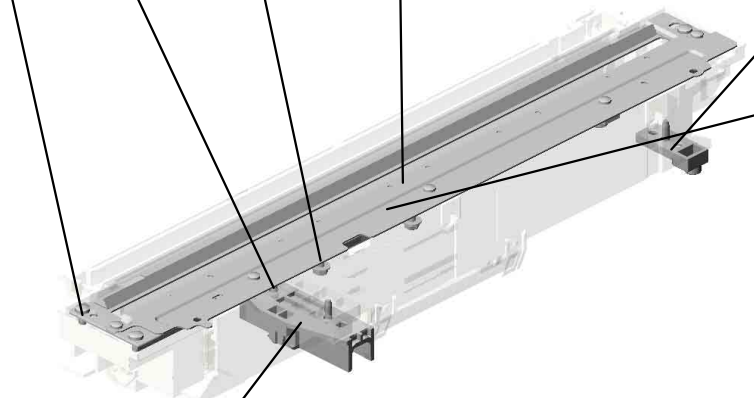
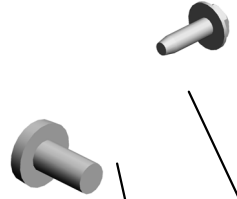
9.08046128 (x2)
HEXAGONAL BOLT:DOUBLE SCREW:M3X10

35.D0E31780
ILLUMINATION UNIT:30LIGHT UNIT:ASY

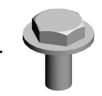


27.D0E31640
OPTICAL READING UNIT:CARRIAGE:SCANNER:IMC2010-6010

5.03530060N (x3)
BIND SCREW - M3X6



66.D2411768 (x2)
SLIDE SHOE



6.03603006N (x2)
SCREW - M3X6

3.03530030N (x 2)
SCREW:M3X3

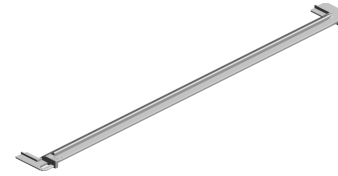
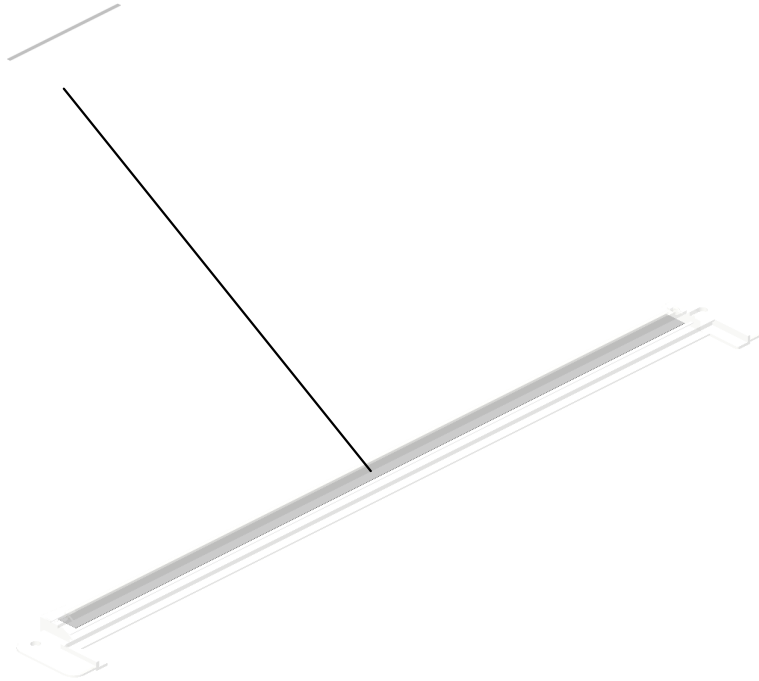
65.D2411767
PLAIN SHAFT BEARING RING:90ANG

U001	U002	U003	U004	U005	U006	U007	U008	U009	U010	U011	U012	U013	U014	U015	U016	U017	U018
------	------	------	------	------	------	------	------	------	------	------	------	------	------	------	------	------	------

U003_S002
(EU/AA/TWN/IND/CHN/KOR):SCALE:LEFT:MM:ASS'Y

20.A6283112
SHIELDING SHEET

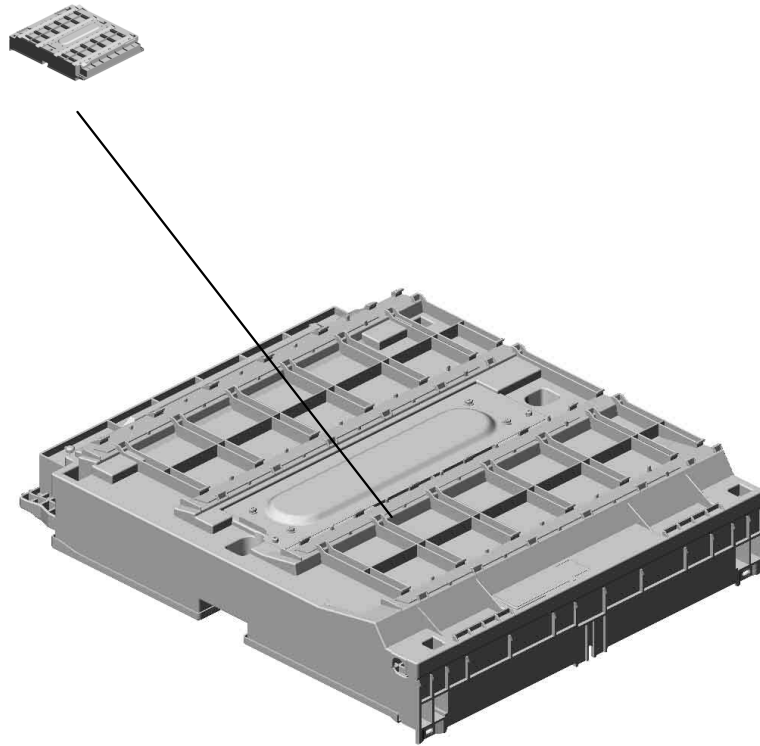
69.D0E31732
(EU/AA/TWN/IND/C
HN/KOR):SCALE:L
EFT:MM:ASS'Y



U001	U002	U003	U004	U005	U006	U007	U008	U009	U010	U011	U012	U013	U014	U015	U016	U017	U018
------	------	------	------	------	------	------	------	------	------	------	------	------	------	------	------	------	------

U004.LASER UNIT

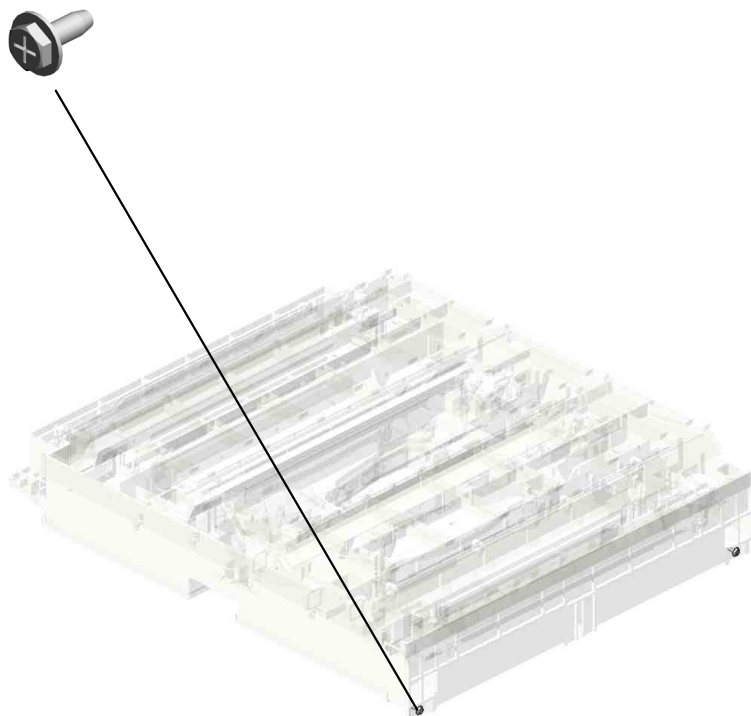
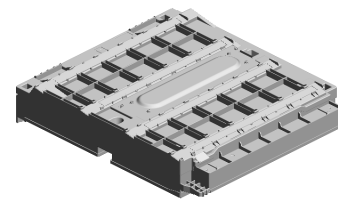
U004 S001
D0E11855
OPTICAL WRITING UNIT:IMC
2500/IMC3000/IMC3500



U001	U002	U003	U004	U005	U006	U007	U008	U009	U010	U011	U012	U013	U014	U015	U016	U017	U018
------	------	------	------	------	------	------	------	------	------	------	------	------	------	------	------	------	------

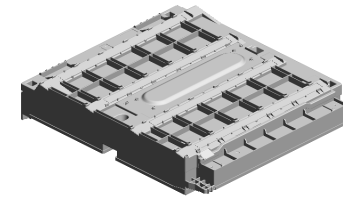
U004
LASER UNIT

1-04513008N
(x2)
TAPPING SCREW -
M3X8



U001	U002	U003	U004	U005	U006	U007	U008	U009	U010	U011	U012	U013	U014	U015	U016	U017	U018
------	------	------	-------------	------	------	------	------	------	------	------	------	------	------	------	------	------	------

U004_S001
OPTICAL WRITING UNIT:IMC2500/IMC3000/IMC3500



10.D0E11855
OPTICAL WRITING
UNIT:IMC2500/IMC
3000/IMC3500

5.11050758
CLAMP:LWSM-030
6A

7.11050760
(x2)
CLAMP:LWSM-051
1A

2.04583010N
(x18)
HEXAGON HEAD TAPPING SCREW:3X10

3.04593008N
(x9)
BINDING HEAD TAPPING SCREW:3X8

8.11050763
(x3)
CLAMP:LWS-1211A

6.11050759
(x10)
CLAMP:LWSM-060
5A

9.AX060518
DC POLYGON MIRROR MOTOR:(M27)

4.04593010N
(x22)
BINDING HEAD TAPPING SCREW:3X10

U001	U002	U003	U004	U005	U006	U007	U008	U009	U010	U011	U012	U013	U014	U015	U016	U017	U018
------	------	------	------	------	------	------	------	------	------	------	------	------	------	------	------	------	------

U005.PAPER FEED

U005 S001
D0DZ2711
PAPER FEED UNIT:NO.1:ASS
Y

U005 S008
AX040273
DC MOTOR:RISING TRAY:AS
S'Y:1.007W:BRUSH:(M9/M10)

U005 S003
D0DZ2800
PAPER TRAY:NO.1:ASS'Y

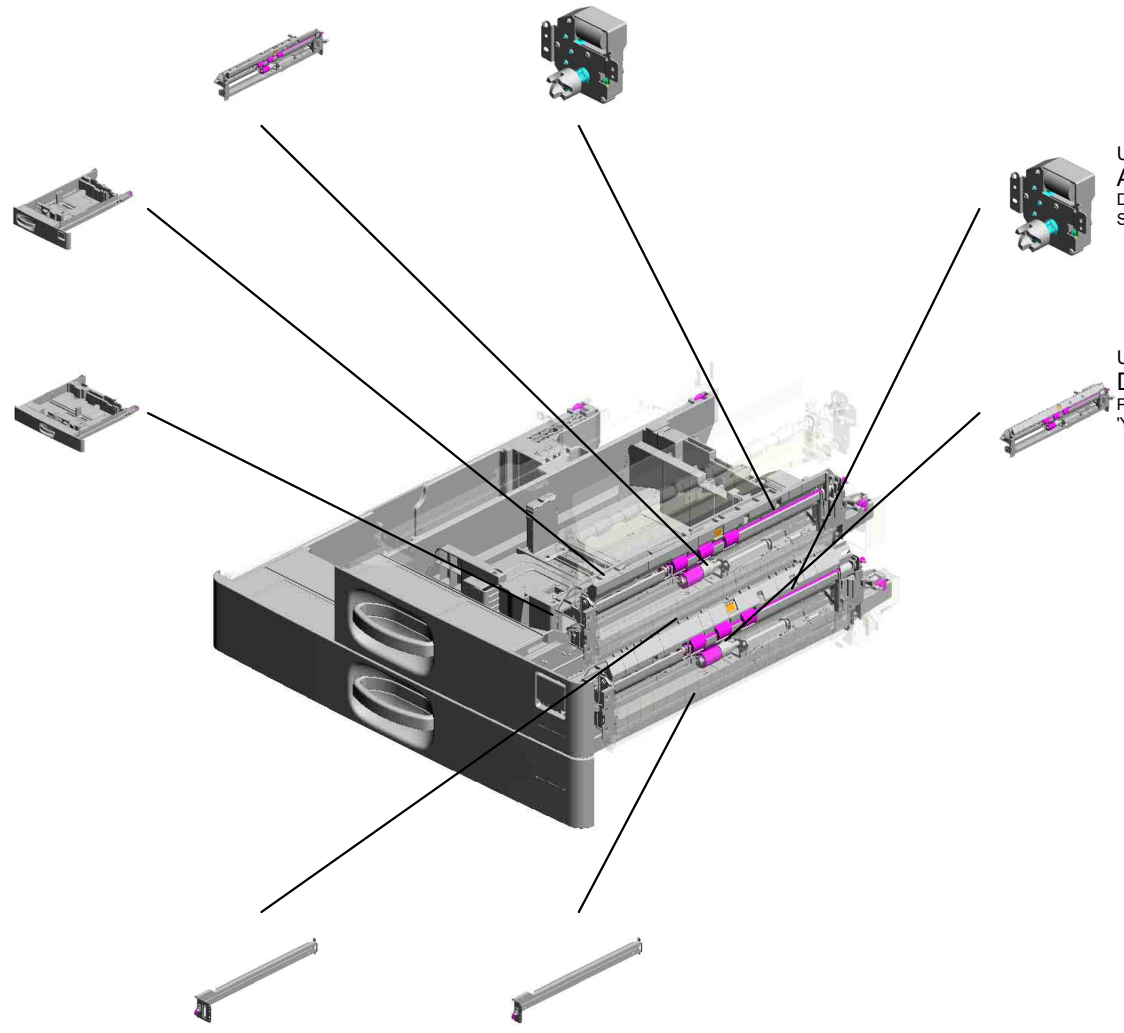
U005 S004
D0DZ2805
PAPER TRAY:NO.2:ASS'Y

U005 S007
AX040273
DC MOTOR:RISING TRAY:AS
S'Y:1.007W:BRUSH:(M9/M10)

U005 S002
D0DZ2712
PAPER FEED UNIT:NO.2:ASS
Y

U005 S005
D1492905
SUPPORTER:RIGHT:NO.1:AS
S'Y

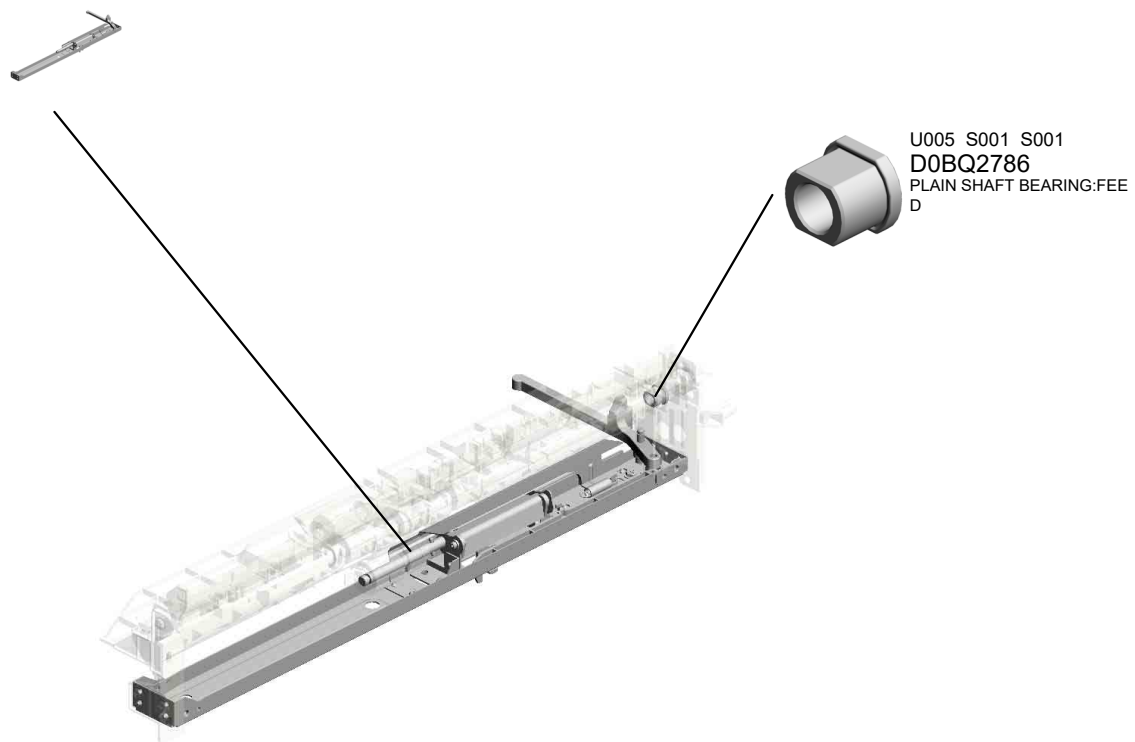
U005 S006
D1492903
SUPPORTER:RIGHT:NO.2:AS
S'Y



U001	U002	U003	U004	U005	U006	U007	U008	U009	U010	U011	U012	U013	U014	U015	U016	U017	U018
------	------	------	------	------	------	------	------	------	------	------	------	------	------	------	------	------	------

U005_S001.PAPER FEED UNIT:NO.1:ASS'Y

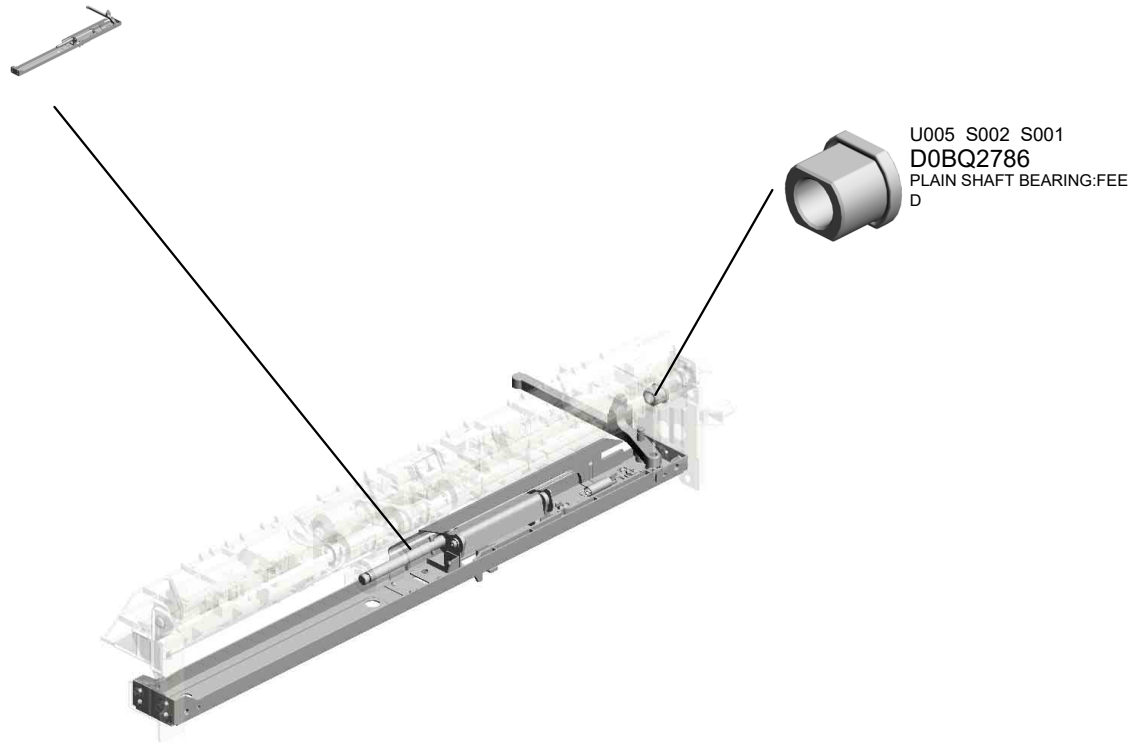
U005 S001 S002
D0E32705
STAY:PAPER FEED UNIT:LO
WER:ASS'Y



U001	U002	U003	U004	U005	U006	U007	U008	U009	U010	U011	U012	U013	U014	U015	U016	U017	U018
------	------	------	------	------	------	------	------	------	------	------	------	------	------	------	------	------	------

U005_S002.PAPER FEED UNIT:NO.2:ASS'Y

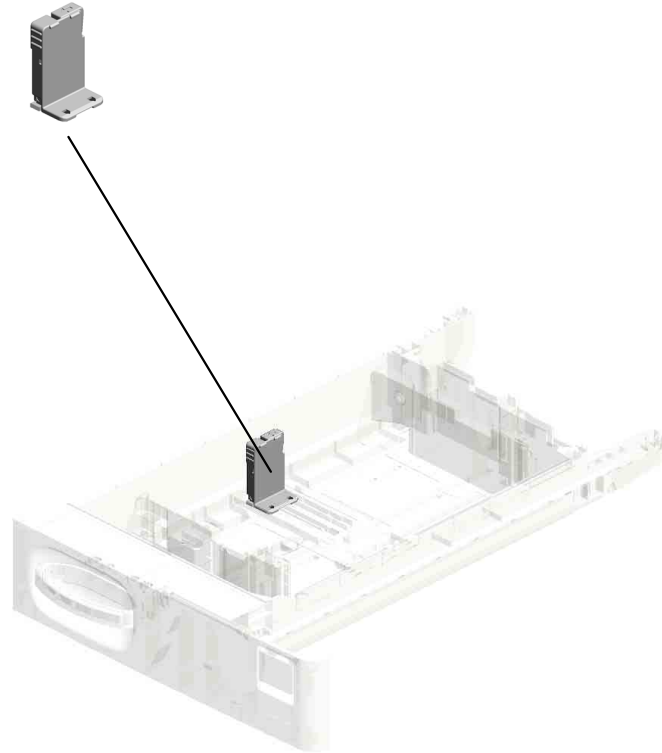
U005 S002 S002
D0E32705
STAY:PAPER FEED UNIT:LO
WER:ASS'Y



U001	U002	U003	U004	U005	U006	U007	U008	U009	U010	U011	U012	U013	U014	U015	U016	U017	U018
------	------	------	------	------	------	------	------	------	------	------	------	------	------	------	------	------	------

U005_S003.PAPER TRAY:NO.1:ASS'Y

U005 S003 S001
D0BQ2840
END FENCE:PAPER TRAY:A
SSY



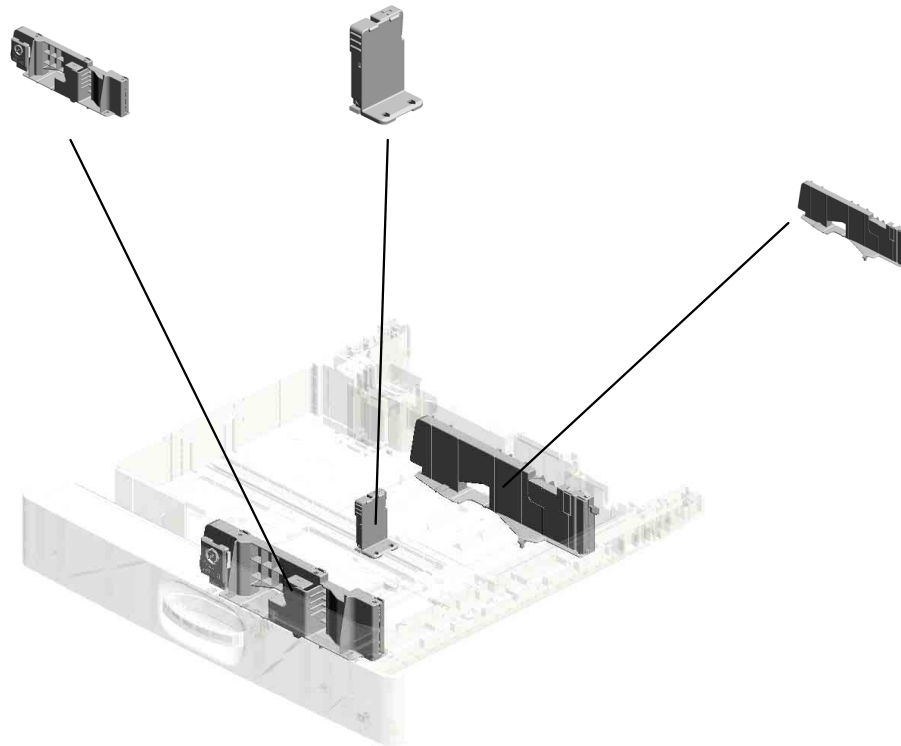
U001	U002	U003	U004	U005	U006	U007	U008	U009	U010	U011	U012	U013	U014	U015	U016	U017	U018
------	------	------	------	------	------	------	------	------	------	------	------	------	------	------	------	------	------

U005_S004.PAPER TRAY:NO.2:ASS'Y

U005 S004 S002
D0E32876
SIDE FENCE:FRONT:ASSY

U005 S004 S001
D0BQ2840
END FENCE:PAPER TRAY:A
SS'Y

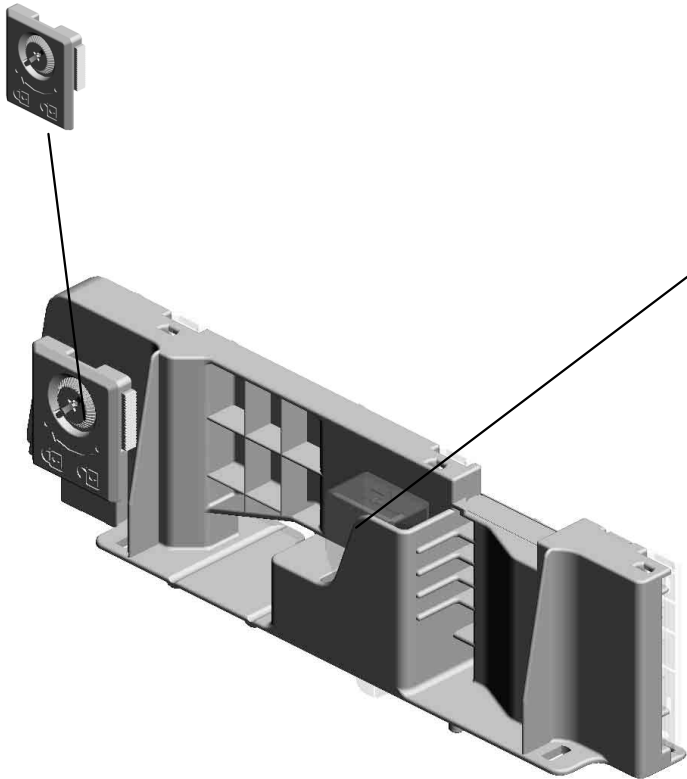
U005 S004 S003
D0E32880
SIDE FENCE:REAR:ASSY



U001	U002	U003	U004	U005	U006	U007	U008	U009	U010	U011	U012	U013	U014	U015	U016	U017	U018
------	------	------	------	------	------	------	------	------	------	------	------	------	------	------	------	------	------

U005_S004_S002.SIDE FENCE:FRONT:ASSY

U005 S004 S002 S001
D0BQ2966
STAY:END FENCE:ASS'Y

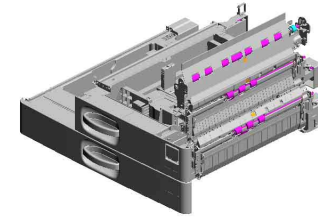


U005 S004 S002 S002
D0E32877
SIDE FENCE:FRONT:SUB-AS
S'Y

U001	U002	U003	U004	U005	U006	U007	U008	U009	U010	U011	U012	U013	U014	U015	U016	U017	U018
------	------	------	------	-------------	------	------	------	------	------	------	------	------	------	------	------	------	------

U005 PAPER FEED

30.AW500046 51.D0E32567 14.11050765 31.AW500049 13.11050758
 PUSH SWITCH:PA CASE:REMOVE PA CLAMP:LWS-2218A (x2) (x2)
 PER SIZE SENSOR PER DUST CLAMP:LWSM-030
 : (SW1) 19/S21/S35) 6A



17.AA082195
(x2)
PLAIN SHAFT BEARING: DIA6XDIA10X6



7.04583008N
(x4)
HEXAGON HEAD TAPPING SCREW: 3X8



52.D0E32571
GUIDE: POSITIONING: REGISTRATION: FRONT



6.04543008Q
(x4)
TAPPING SCREW: 3X8



11.08050103
(x2)
RETAINING RINGS: SILENCER: DIA3



55.D0E32714
GUIDE PLATE: SWIVEL: NO.1

56.D0E32721
GUIDE PLATE: SWIVEL: NO.2

19.AA082197
(x2)
BUSHING: DIA8XDIA12X7: EG-1-J

21.AB011572
GEAR: Z19: DRIVEN: REGISTRATION

4.04513008N
TAPPING SCREW - M3X8

5.04543006Q
(x39)
TAPPING SCREW - M3X6



9.07200040E
(x2)
RETAINING RING - M4



22.AB011573
GEAR: REGISTRATION: NO.2



10.07200060E
(x3)
RETAINING RING - M6

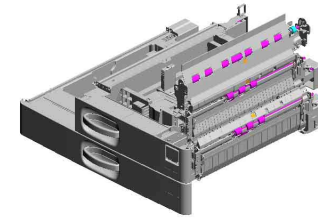


53.D0E32572
GUIDE: POSITIONING: REGISTRATION: REAR



U005 PAPER FEED

114.D1492918 SUPPORTER:LEFT UPPER:NO.1
 111.D1492889 COVER:TRAY:REA R LEFT:NO.2
 87.D1492562 (x2) COLLAR:REGISTRATION ROLLER
 140.GA143003 SCREW:MM5:2.5M M
 110.D1492887 COVER:TRAY:REA R LEFT:NO.1

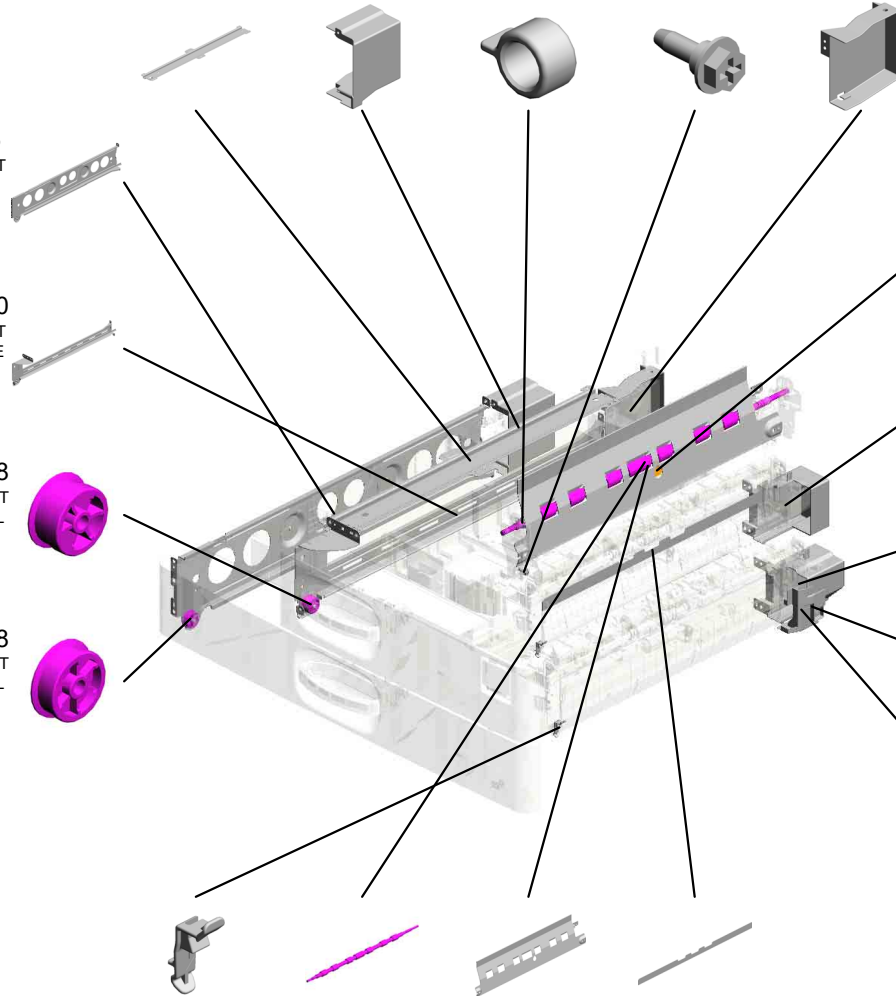


79.D0E32925 SUPPORTER:LEFT :NO.2:PEEN

118.D1492930 SUPPORTER:LEFT LOWER:NO.1:PEEN

120.D1492958 ROLLER:SUPPORTER:PAPER TRAY:LEFT

117.D1492928 ROLLER:SUPPORTER:PAPER TRAY:LEFT



141.GW010007 PHOTO REFLECTION SENSOR:EXIT:(S3/S9/S10/S14/S16/S24)

125.D1752886 COVER:TRAY:REA R RIGHT:NO.1

126.D1752888 COVER:TRAY:REA R RIGHT:NO.2

94.D1492787 BRACKET:SUPPORT:COVER

95.D1492788 INNER COVER:HA RNESS:PAPER FEED UNIT

134.D2412731 (x2) STOPPER:GUIDE PLATE:SWIVEL

130.D2412559 SHAFT:REGISTRATION ROLLER:DRIVEN

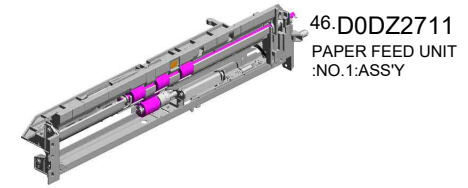
131.D2412576 GUIDE PLATE:REGISTRATION:FRONT LEFT

88.D1492712 SHEET:GUIDE PLATE:SWIVEL

U001	U002	U003	U004	U005	U006	U007	U008	U009	U010	U011	U012	U013	U014	U015	U016	U017	U018
------	------	------	------	------	------	------	------	------	------	------	------	------	------	------	------	------	------

U005_S001
PAPER FEED UNIT:NO.1:ASS'Y

- 91.D1492774 PULLEY:IDLER:PIKUP
- 35.B8303504 TIMING BELT - 40S 2M100
- 37.D0BQ2773 PULLEY:PICKUP:MECHANICAL ROLLER CLUTCH:U
- 57.D0E32741 GUIDE PLATE:VERTICAL TRANSPORT:PAPER FEED UNIT:NO.1
- 29.AW020234 (x2) PHOTOINTERRUPTOR:GP1A173LCS 5F:(S5/S6/S8/S13/S15/S23/S25/S32)



26.AF030094
PAPER FEED ROLLER:PICKUP



27.AF031185
PAPER FEED ROLLER:FEED



17.AA082195
PLAIN SHAFT BEARING:DIA6XDIA10X6



7.04583008N
(x7)
HEXAGON HEAD TAPPING SCREW:3X8



5.04543006Q
(x4)
TAPPING SCREW - M3X6



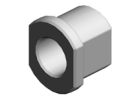
20.AA100014
(x2)
RETAINING RING C - SEPARATE



28.AF032102
PAPER FEED ROLLER:SEPARATE



18.AA082196
BUSHING:DIA6XDIA10X9



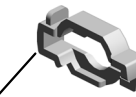
90.D1492772
ARM:PICKUP



38.D0BQ2777
SHAFT:FEED:ASS'Y



84.D1482702
SPACER:TRANSPORT ROLLER



12.08050104
(x5)
RETAINING RINGS -E.SILENCER:DIA4



92.D1492777
COIL SPRING:PRESSURE:PICKUP



13.11050758
(x2)
CLAMP:LWSM-0306A



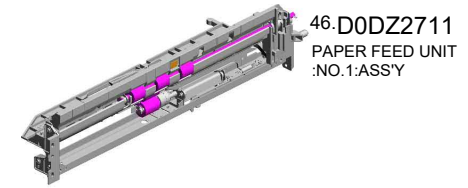
3.04513006N
(x3)
TAPPING SCREW - 3X6



U001	U002	U003	U004	U005	U006	U007	U008	U009	U010	U011	U012	U013	U014	U015	U016	U017	U018
------	------	------	------	------	------	------	------	------	------	------	------	------	------	------	------	------	------

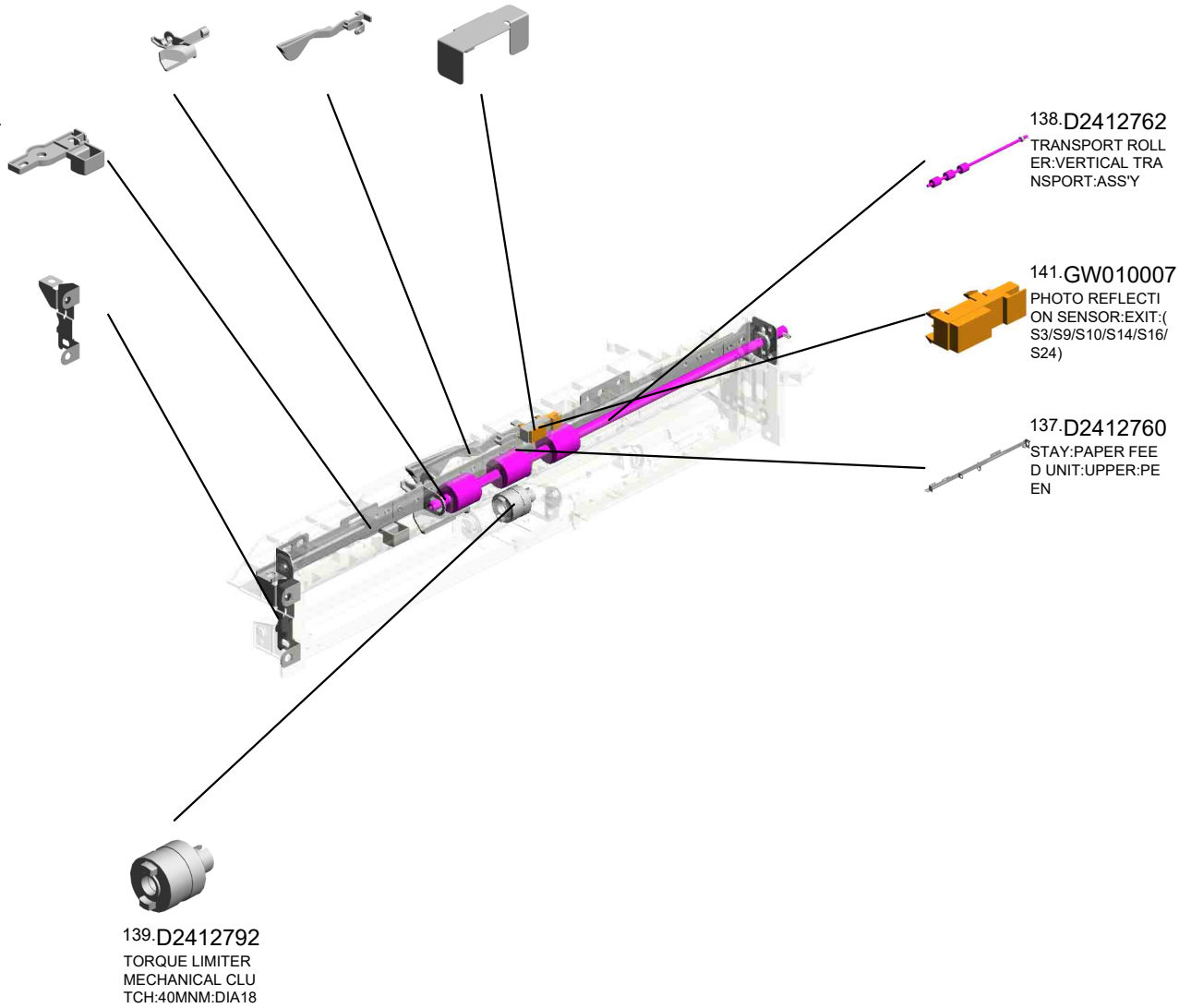
U005_S001
PAPER FEED UNIT:NO.1:ASS'Y

128.D2022791 GUIDE:FEED
127.D2022778 FEELER:PAPER END
132.D2412719 GROUND PLATE:SENSOR:TRANSPORT



122.D1752784
GUIDE PLATE:SENSOR:PAPER FEED

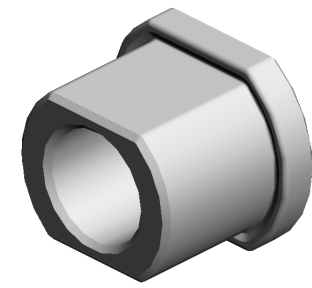
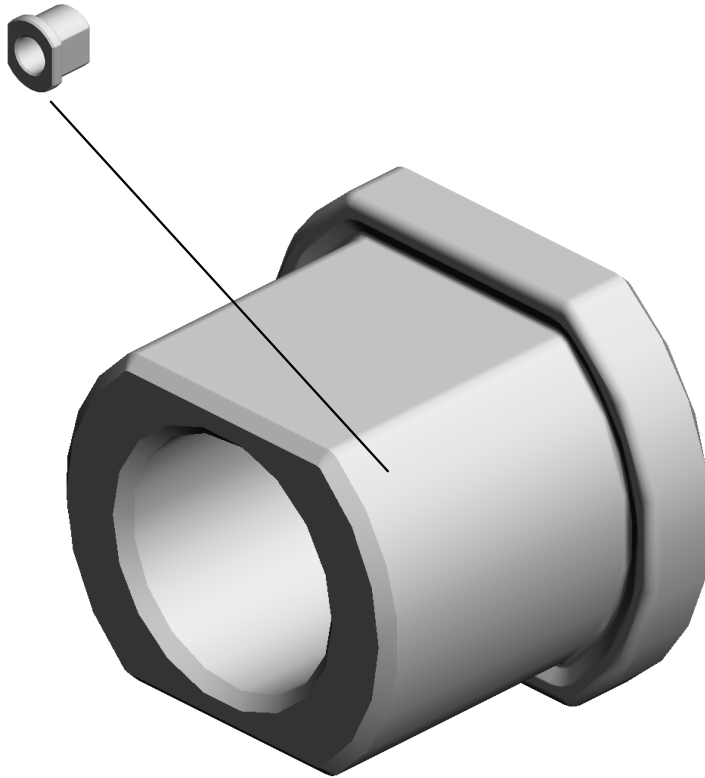
93.D1492781
GROUND PLATE:PAPER FEED UNIT



U001	U002	U003	U004	U005	U006	U007	U008	U009	U010	U011	U012	U013	U014	U015	U016	U017	U018
------	------	------	------	------	------	------	------	------	------	------	------	------	------	------	------	------	------

U005_S001_S001
PLAIN SHAFT BEARING:FEED

18-AA082196
BUSHING:DIA6XDI
A10X9



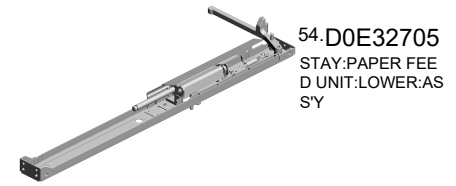
39.D0BQ2786
PLAIN SHAFT BEA
RING:FEED

U001	U002	U003	U004	U005	U006	U007	U008	U009	U010	U011	U012	U013	U014	U015	U016	U017	U018
------	------	------	------	------	------	------	------	------	------	------	------	------	------	------	------	------	------

U005_S001_S002

STAY:PAPER FEED UNIT:LOWER:ASS'Y

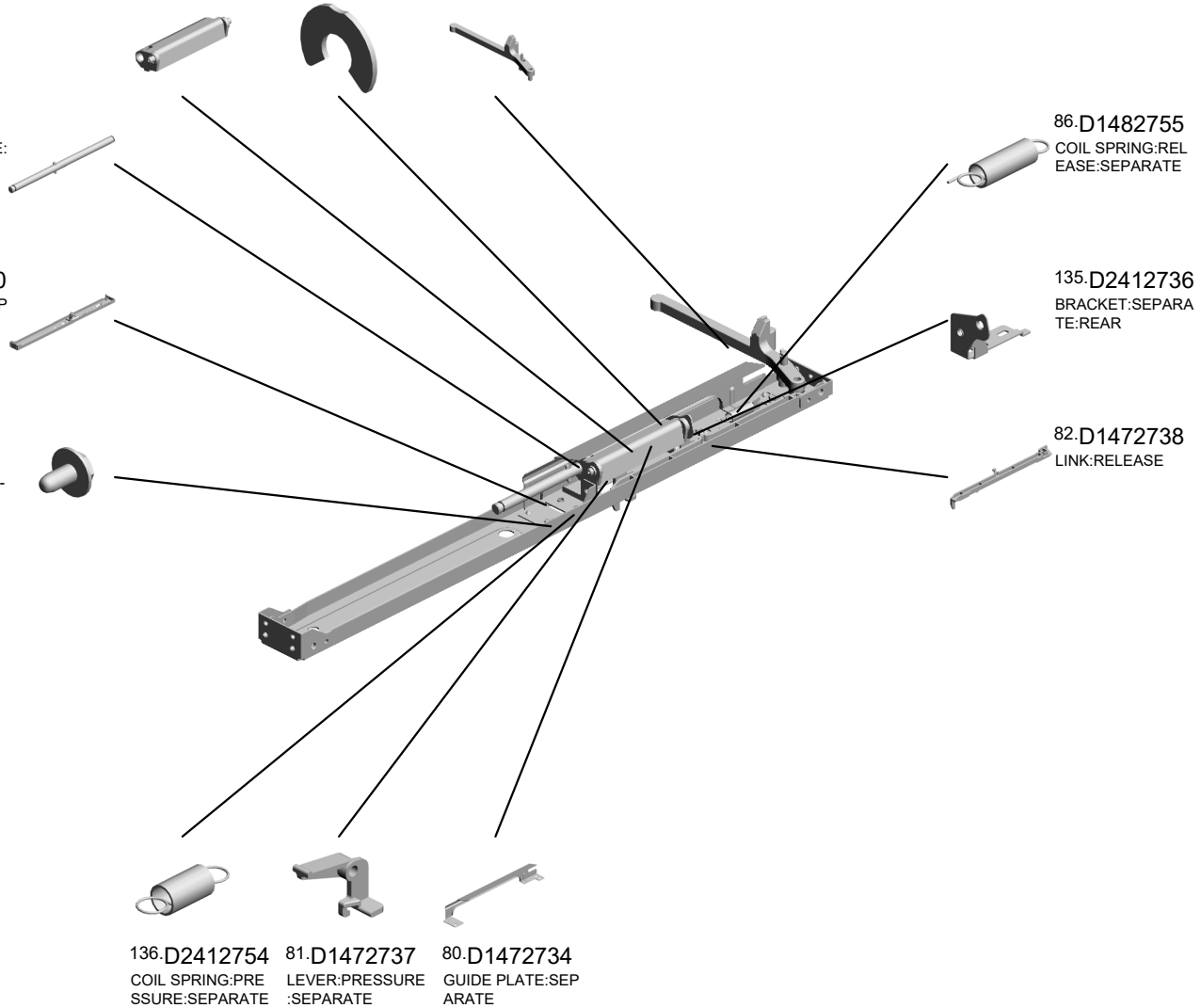
85.D1482751 ARM:PRESSURE:SEPARATE
 12.08050104 RETAINING RINGS-SILENCER:DIA4
 89.D1492739 LEVER:PRESSURE RELEASE



83.D1472752
 SHAFT:SEPARATE:ASS'Y

133.D2412730
 STAY:SEPARATE:PEEN

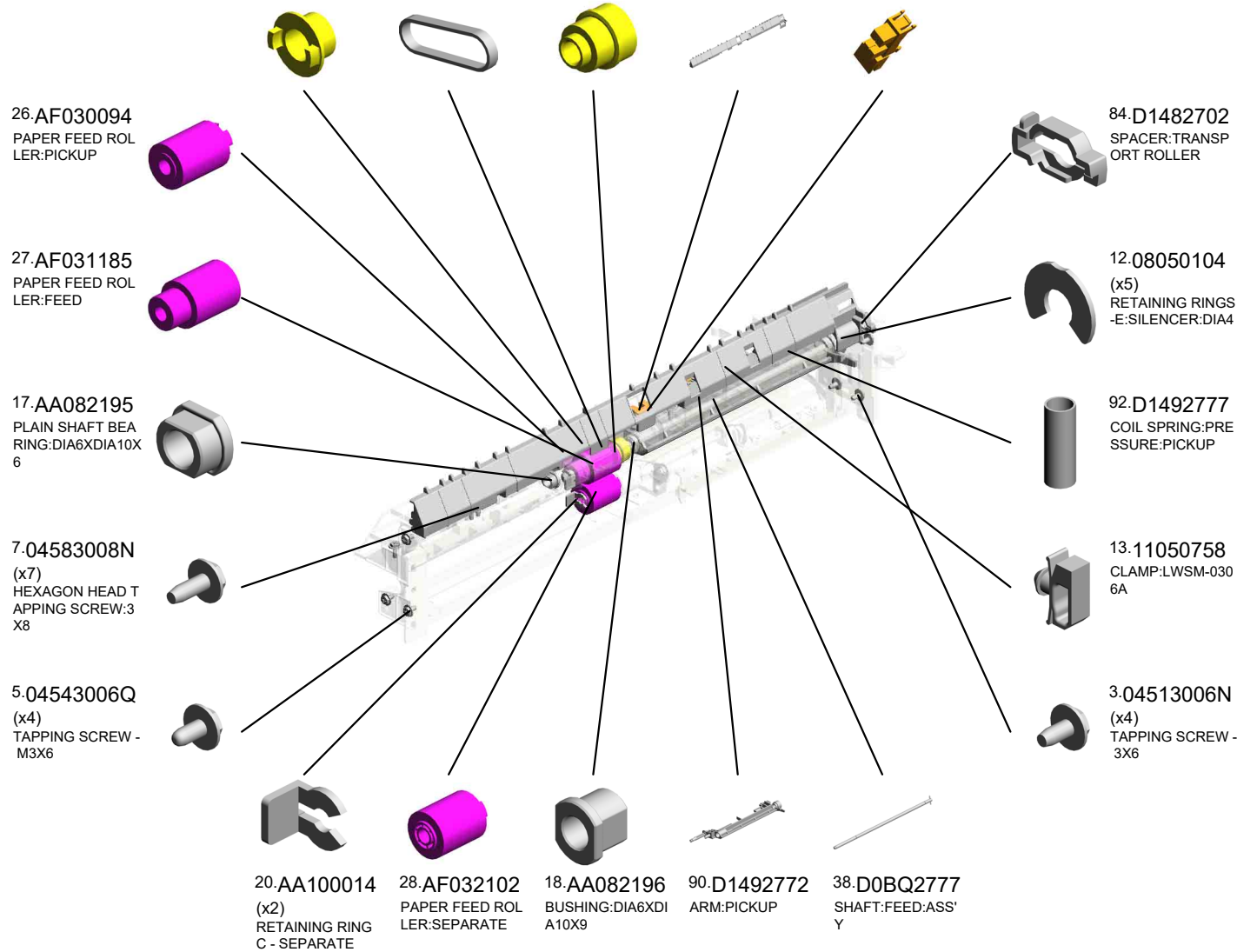
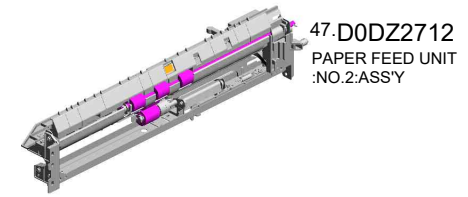
5.04543006Q
 (x3)
 TAPPING SCREW - M3X6



U001	U002	U003	U004	U005	U006	U007	U008	U009	U010	U011	U012	U013	U014	U015	U016	U017	U018
------	------	------	------	------	------	------	------	------	------	------	------	------	------	------	------	------	------

U005_S002
PAPER FEED UNIT:NO.2:ASS'Y

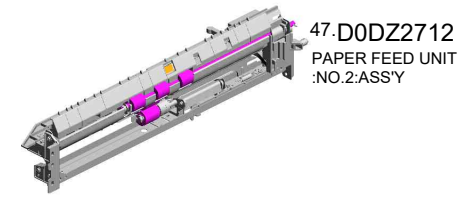
- 91.D1492774 PULLEY:IDLER:PIKUP
- 35.B8303504 TIMING BELT - 40S 2M100
- 37.D0BQ2773 PULLEY:PICKUP:MECHANICAL ROLLER CLUTCH:U
- 58.D0E32742 GUIDE PLATE:VERTICAL TRANSPORT:PAPER FEED UNIT:NO.2
- 29.AW020234 (x2) PHOTOINTERRUPTOR:GP1A173LCS 5F:(S5/S6/S8/S13/S15/S23/S25/S32)



U001	U002	U003	U004	U005	U006	U007	U008	U009	U010	U011	U012	U013	U014	U015	U016	U017	U018
------	------	------	------	------	------	------	------	------	------	------	------	------	------	------	------	------	------

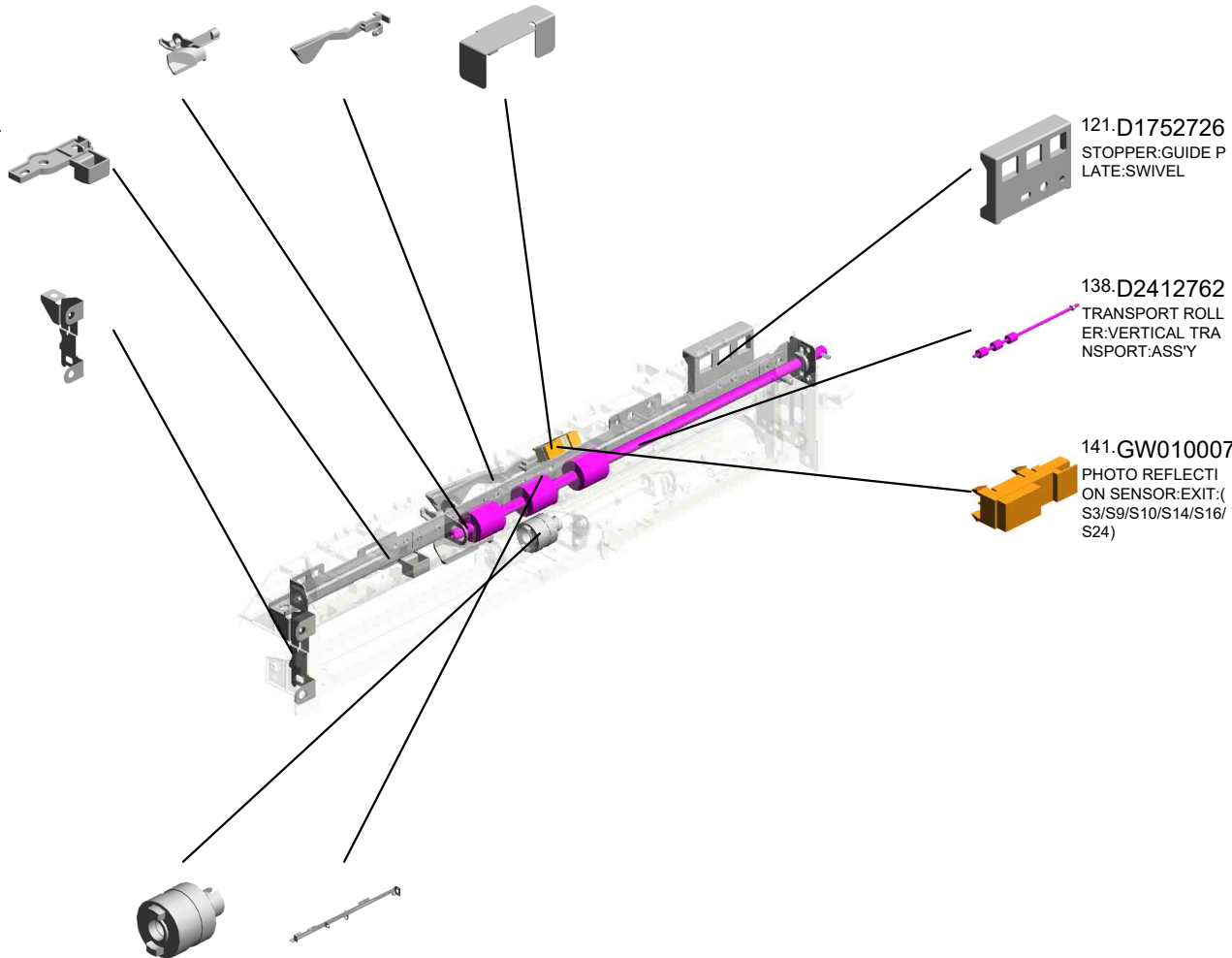
U005_S002
 PAPER FEED UNIT:NO.2:ASS'Y

128.D2022791 GUIDE:FEED
 127.D2022778 FEELER:PAPER END
 132.D2412719 GROUND PLATE:SENSOR:TRANSPORT



122.D1752784
 GUIDE PLATE:SENSOR:PAPER FEED

93.D1492781
 GROUND PLATE:PAPER FEED UNIT



121.D1752726
 STOPPER:GUIDE PLATE:SWIVEL

138.D2412762
 TRANSPORT ROLLER:VERTICAL TRANSPORT:ASS'Y

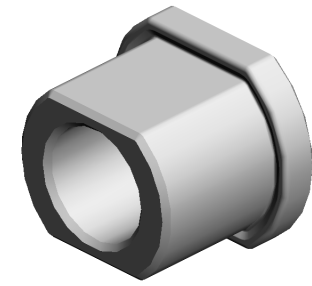
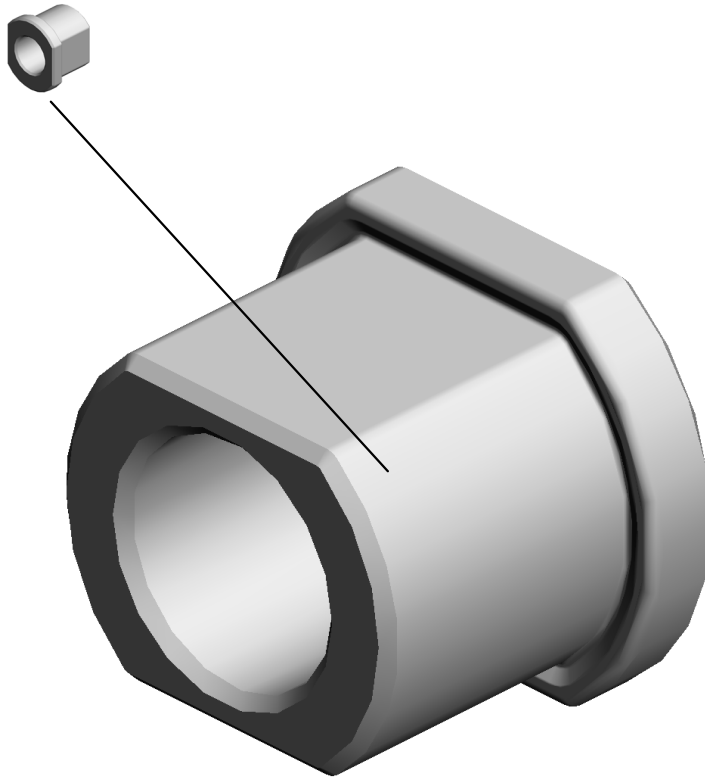
141.GW010007
 PHOTO REFLECTION SENSOR:EXIT:(S3/S9/S10/S14/S16/S24)

139.D2412792 TORQUE LIMITER MECHANICAL CLUTCH:40MM:DIAM18
 137.D2412760 STAY:PAPER FEED UNIT:UPPER:PERPENDICULAR

U001	U002	U003	U004	U005	U006	U007	U008	U009	U010	U011	U012	U013	U014	U015	U016	U017	U018
------	------	------	------	------	------	------	------	------	------	------	------	------	------	------	------	------	------

U005_S002_S001
PLAIN SHAFT BEARING:FEED

18-AA082196
BUSHING:DIA6XDI
A10X9



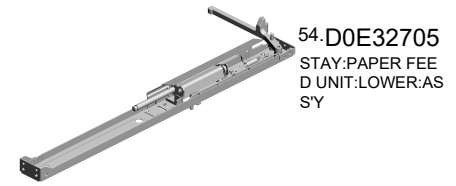
39.D0BQ2786
PLAIN SHAFT BEA
RING:FEED

U001	U002	U003	U004	U005	U006	U007	U008	U009	U010	U011	U012	U013	U014	U015	U016	U017	U018
------	------	------	------	------	------	------	------	------	------	------	------	------	------	------	------	------	------

U005_S002_S002

STAY:PAPER FEED UNIT:LOWER:ASS'Y

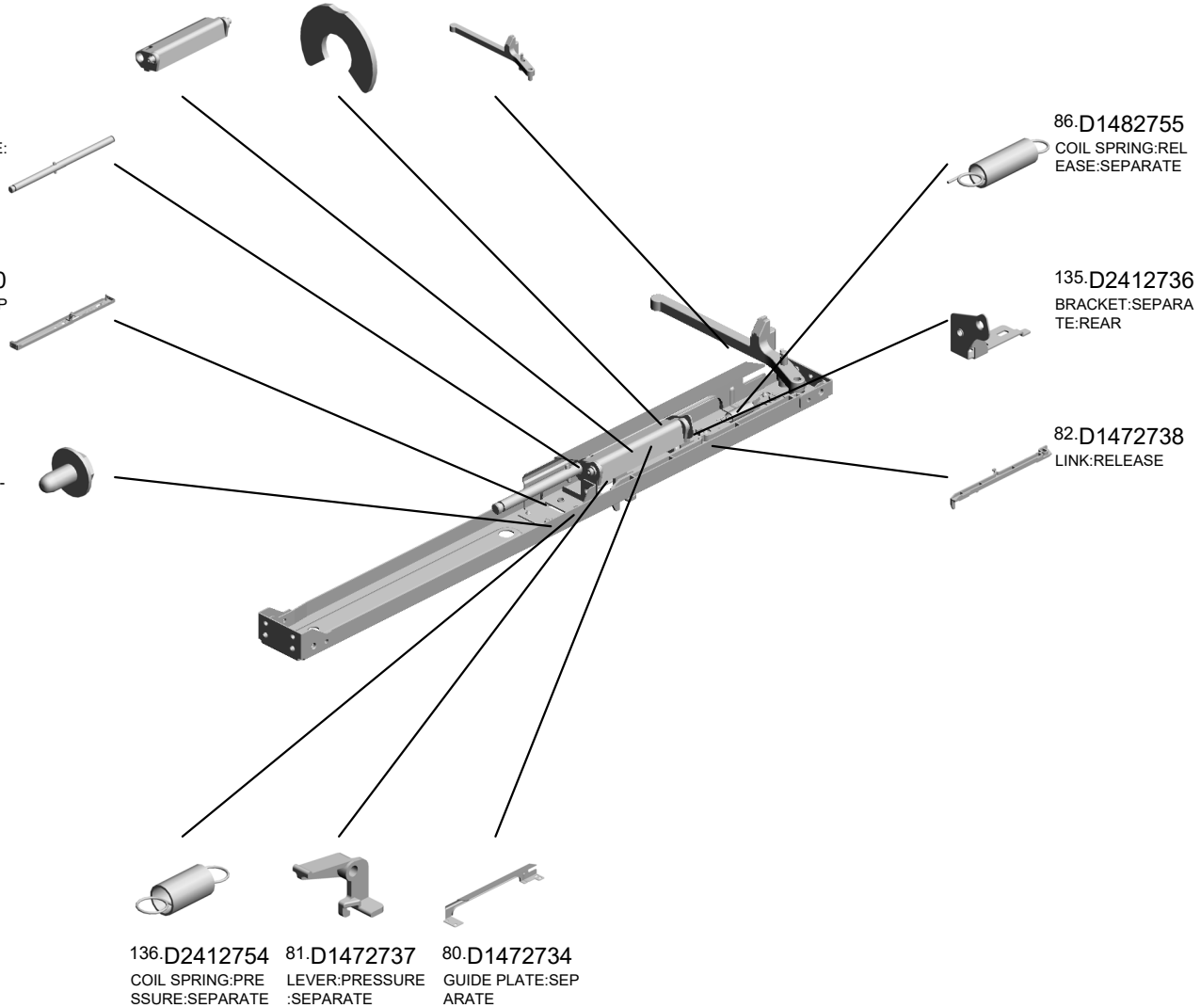
85.D1482751 12.08050104 89.D1492739
 ARM:PRESSURE:SEPARATE RETAINING RINGS LEVER:PRESSURE
 EPARATE -E:SILENCER:DIA4 RELEASE



83.D1472752
 SHAFT:SEPARATE:ASS'Y

133.D2412730
 STAY:SEPARATE:PEEN

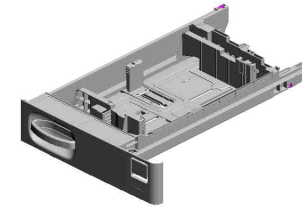
5.04543006Q
 (x3)
 TAPPING SCREW - M3X6



U001	U002	U003	U004	U005	U006	U007	U008	U009	U010	U011	U012	U013	U014	U015	U016	U017	U018
------	------	------	------	------	------	------	------	------	------	------	------	------	------	------	------	------	------

U005_S003
PAPER TRAY:NO.1:ASS'Y

- 60.D0E32822 SIDE FENCE:FRONT:NO.1
- 76.D0E32897 LATCH:SIDE FENCE
- 43.D0BQ2959 DECAL:SIDE FENCE:PAPER VOLUME:FRONT
- 34.B2342864 (x2) PAD:CLEANER
- 97.D1492814 COIL SPRING:EAR TH



48.D0DZ2800
PAPER TRAY:NO.1
:ASS'Y

65.D0E32863
DECAL:PAPER SE
T DIRECTION:TRA
Y:NO.1



8.04583010N
(x10)
HEXAGON HEAD T
APPING SCREW:3
X10



64.D0E32856
GRIP:PAPER TRAY



36.D0392566
TENSION SPRING:
GRIP:RIGHT



67.D0E32865
COVER:PAPER TR
AY:NO.1



10.07200060E
RETAINING RING -
M6



62.D0E32835
(x2)
RACK:SIDE FENCE



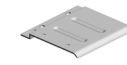
70.D0E32874
TRAY BOTTOM PL
ATE:NO.2



2.03603006N
(x2)
SCREW - M3X6



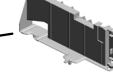
59.D0E32818
LEVER:RISE



41.D0BQ2952
DECAL:SIDE FENC
E:PAPER VOLUME



61.D0E32832
SIDE FENCE:REAR
:NO.1



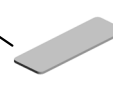
96.D1492812
(x4)
ROLLER:PAPER T
RAY:DIA19



98.D1492816
SHAFT:RISE:ASS'Y



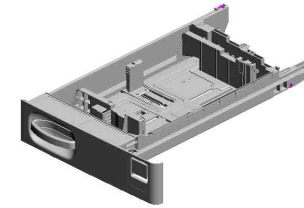
25.AF013019
PAD:TRAY BOTTO
M PLATE



U001	U002	U003	U004	U005	U006	U007	U008	U009	U010	U011	U012	U013	U014	U015	U016	U017	U018
------	------	------	------	------	------	------	------	------	------	------	------	------	------	------	------	------	------

U005_S003
 PAPER TRAY:NO.1:ASS'Y

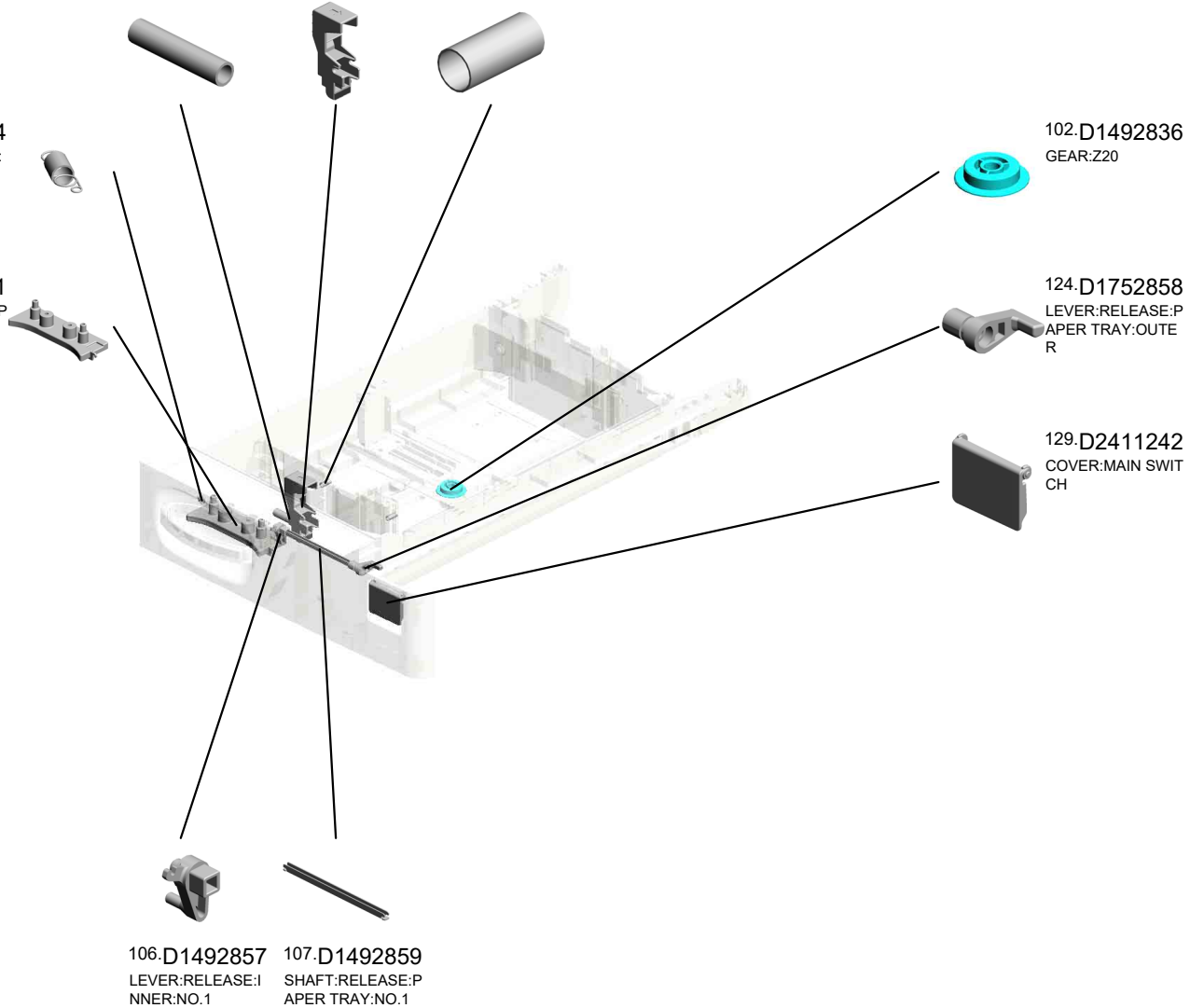
101.D1492827 99.D1492824 100.D1492826
 COMPRESSION SP LEVER:STOPPER: (x2)
 RING:SIDE FENCE: FRONT COMPRESSION SP
 POSITIONING FRONT RING:SIDE FENCE:
 PLATE:FRONT



48.D0DZ2800
 PAPER TRAY:NO.1
 :ASS'Y

123.D1752854
 TENSION SPRING:
 GRIP:LEFT

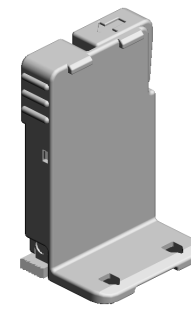
108.D1492861
 HOLDER:GRIP:PAP
 ER TRAY



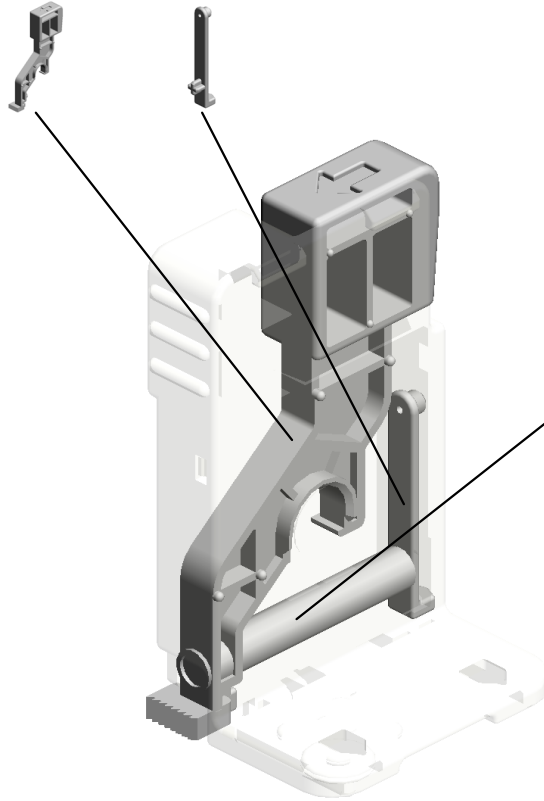
U001	U002	U003	U004	U005	U006	U007	U008	U009	U010	U011	U012	U013	U014	U015	U016	U017	U018
------	------	------	------	------	------	------	------	------	------	------	------	------	------	------	------	------	------

U005_S003_S001
END FENCE:PAPER TRAY:ASS'Y

103.D1492842 104.D1492843
LEVER:END FENC E CLICK:END FENCE



40.D0BQ2840
END FENCE:PAPE
R TRAY:ASS'Y

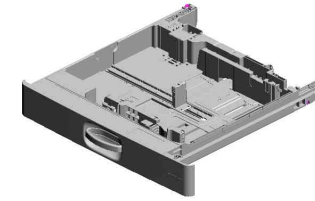


105.D1492845
COMPRESSION SP
RING:END FENCE:
LEVER:5N

U001	U002	U003	U004	U005	U006	U007	U008	U009	U010	U011	U012	U013	U014	U015	U016	U017	U018
------	------	------	------	-------------	------	------	------	------	------	------	------	------	------	------	------	------	------

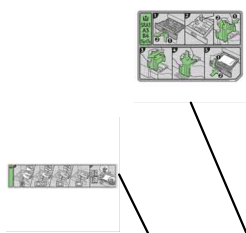
U005_S004
PAPER TRAY:NO.2:ASS'Y

- 63.D0E32837 DECAL:SET:SIDE FENCE:AUXILIARY
- 69.D0E32872 SIDE FENCE:AUXILIARY
- 96.D1492812 (x4) ROLLER:PAPER TRAY:DIA19
- 8.04583010N (x12) HEXAGON HEAD TAPPING SCREW:3X10
- 50.D0DZ2872 LINK:END FENCE:PAPER SIZE SENSOR



49.D0DZ2805
PAPER TRAY:NO.2
:ASS'Y

66.D0E32864
DECAL:PAPER SET DIRECTION:TRAY:NO.2



64.D0E32856
GRIP:PAPER TRAY



68.D0E32866
COVER:PAPER TRAY:NO.2



33.B2232862
LEVER - RELEASE INNER



36.D0392566
TENSION SPRING:GRIP:RIGHT



76.D0E32897
LATCH:SIDE FENCE



10.07200060E
RETAINING RING - M6



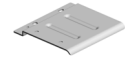
70.D0E32874
TRAY BOTTOM PLATE:NO.2



102.D1492836
GEAR:Z20



59.D0E32818
LEVER:RISE



97.D1492814
COIL SPRING:EAR TH



62.D0E32835
(x2)
RACK:SIDE FENCE



98.D1492816
SHAFT:RISE:ASS'Y



2.03603006N
(x2)
SCREW - M3X6



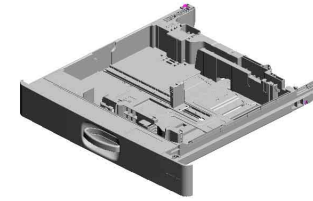
25.AF013019
PAD:TRAY BOTTOM PLATE



U001	U002	U003	U004	U005	U006	U007	U008	U009	U010	U011	U012	U013	U014	U015	U016	U017	U018
------	------	------	------	------	------	------	------	------	------	------	------	------	------	------	------	------	------

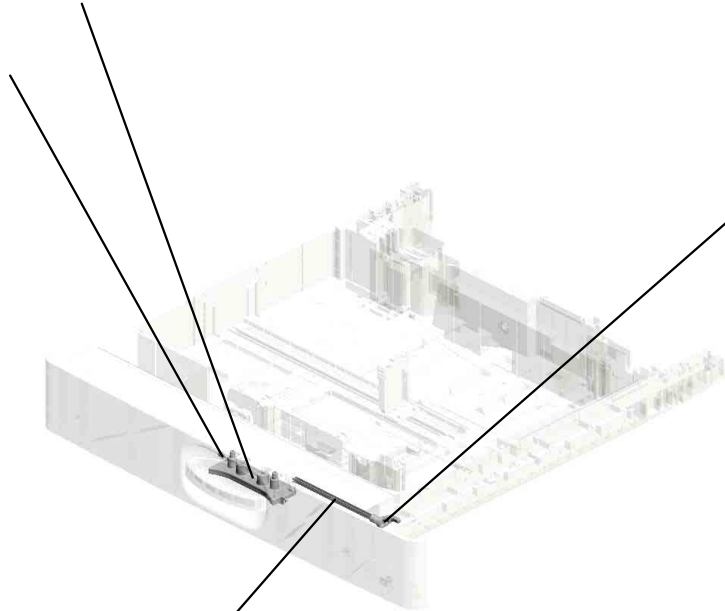
U005_S004
PAPER TRAY:NO.2:ASS'Y

108.D1492861
HOLDER:GRIP:PAP
ER TRAY



49.D0DZ2805
PAPER TRAY:NO.2
:ASS'Y

123.D1752854
TENSION SPRING:
GRIP:LEFT



124.D1752858
LEVER:RELEASE:P
APER TRAY:OUTE
R



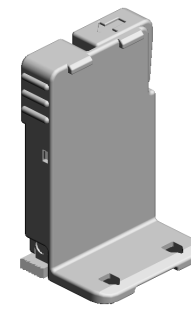
109.D1492862
SHAFT:RELEASE:P
APER TRAY:NO.2



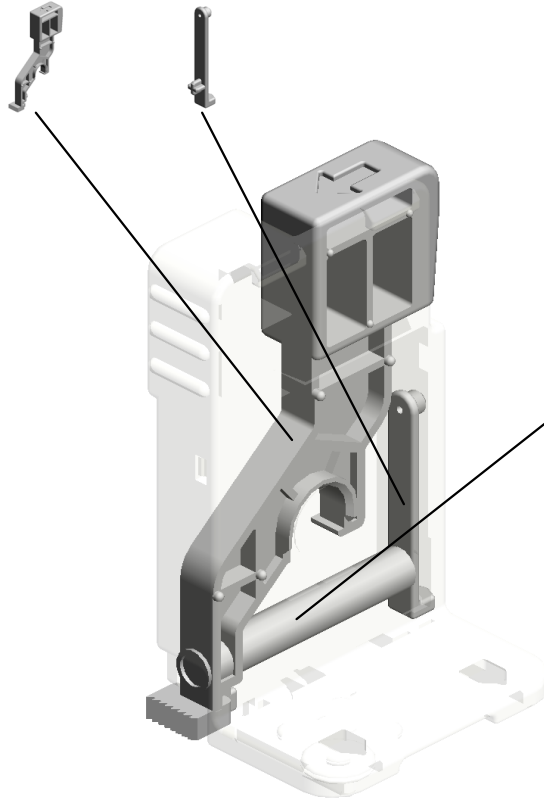
U001	U002	U003	U004	U005	U006	U007	U008	U009	U010	U011	U012	U013	U014	U015	U016	U017	U018
------	------	------	------	-------------	------	------	------	------	------	------	------	------	------	------	------	------	------

U005_S004_S001
END FENCE:PAPER TRAY:ASS'Y

103.D1492842 104.D1492843
LEVER:END FENC E CLICK:END FENCE



40.D0BQ2840
END FENCE:PAPE R TRAY:ASS'Y



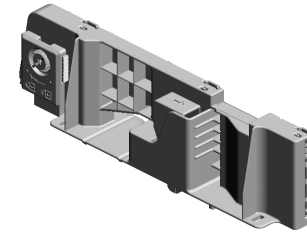
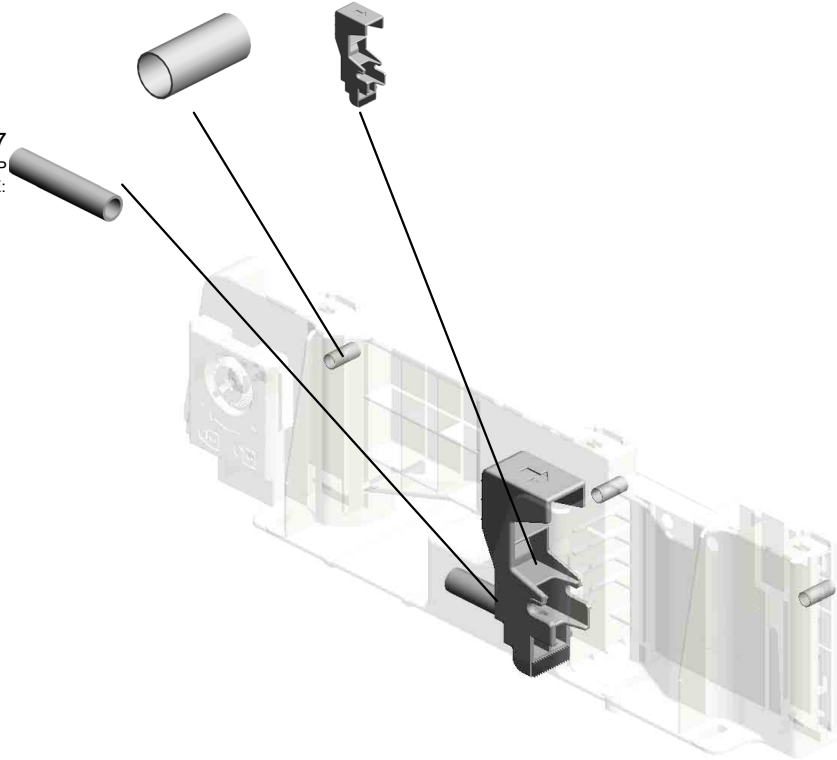
105.D1492845
COMPRESSION SP RING:END FENCE: LEVER:5N

U001	U002	U003	U004	U005	U006	U007	U008	U009	U010	U011	U012	U013	U014	U015	U016	U017	U018
------	------	------	------	-------------	------	------	------	------	------	------	------	------	------	------	------	------	------

U005_S004_S002
SIDE FENCE:FRONT:ASSY

100.D1492826 99.D1492824
(x3) LEVER:STOPPER:
COMPRESSION SP FRONT
RING:SIDE FENCE:
PLATE:FRONT

101.D1492827
COMPRESSION SP
RING:SIDE FENCE:
POSITIONING

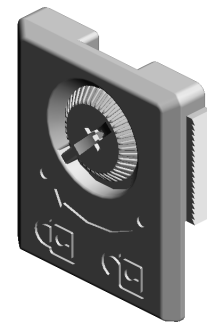


71.D0E32876
SIDE FENCE:FRON
T:ASSY

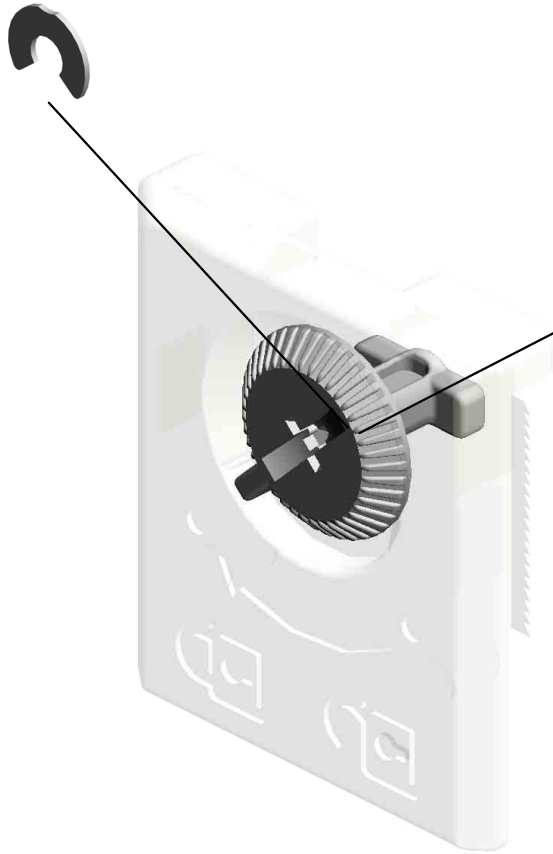
U001	U002	U003	U004	U005	U006	U007	U008	U009	U010	U011	U012	U013	U014	U015	U016	U017	U018
------	------	------	------	------	------	------	------	------	------	------	------	------	------	------	------	------	------

U005_S004_S002_S001
STAY:END FENCE:ASS'Y

12.08050104
RETAINING RINGS
-E:SILENCER:DIA4



44.D0BQ2966
STAY:END FENCE:
ASS'Y

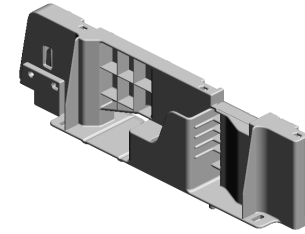


45.D0BQ2967
KNOB SCREW:STA
Y:END FENCE

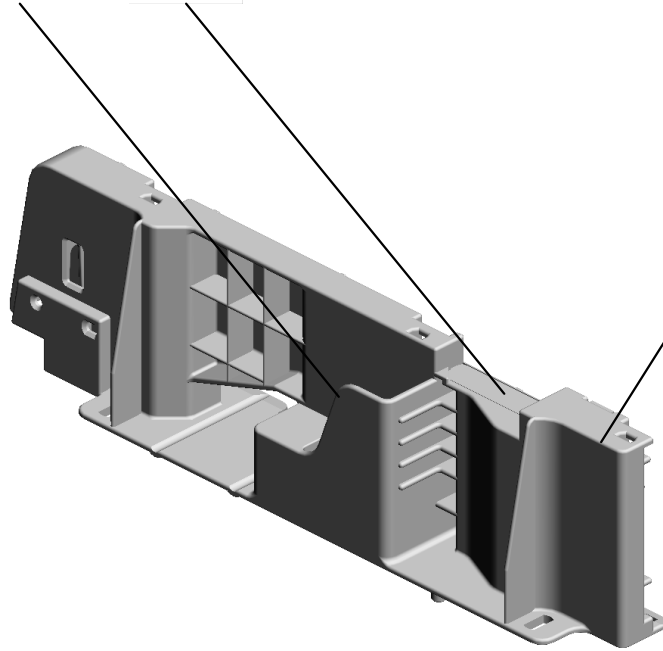
U001	U002	U003	U004	U005	U006	U007	U008	U009	U010	U011	U012	U013	U014	U015	U016	U017	U018
------	------	------	------	-------------	------	------	------	------	------	------	------	------	------	------	------	------	------

U005_S004_S002_S002
SIDE FENCE:FRONT:SUB-ASS'Y

73.D0E32878 43.D0BQ2959
SIDE FENCE:FRON DECAL:SIDE FENC
T:UNIVERSAL:NO.2 E:PAPER VOLUME:
FRONT



72.D0E32877
SIDE FENCE:FRON
T:SUB-ASS'Y

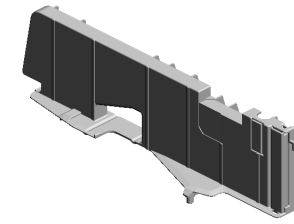


34.B2342864
PAD:CLEANER

U001	U002	U003	U004	U005	U006	U007	U008	U009	U010	U011	U012	U013	U014	U015	U016	U017	U018
------	------	------	------	------	------	------	------	------	------	------	------	------	------	------	------	------	------

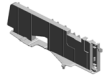
U005_S004_S003
SIDE FENCE:REAR:ASSY

42.D0BQ2954
DECAL:SIDE FENC
E:PAPER VOLUME:
ENVELOPE

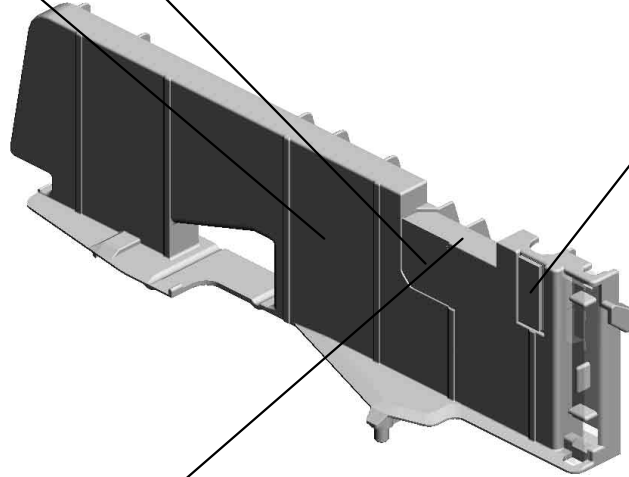


75.D0E32880
SIDE FENCE:REAR
:ASSY

74.D0E32879
SIDE FENCE:REAR
:UNIVERSAL:NO.2



34.B2342864
PAD:CLEANER



41.D0BQ2952
DECAL:SIDE FENC
E:PAPER VOLUME

U001	U002	U003	U004	U005	U006	U007	U008	U009	U010	U011	U012	U013	U014	U015	U016	U017	U018
------	------	------	------	-------------	------	------	------	------	------	------	------	------	------	------	------	------	------

U005_S005
SUPPORTER:RIGHT:NO.1:ASS'Y

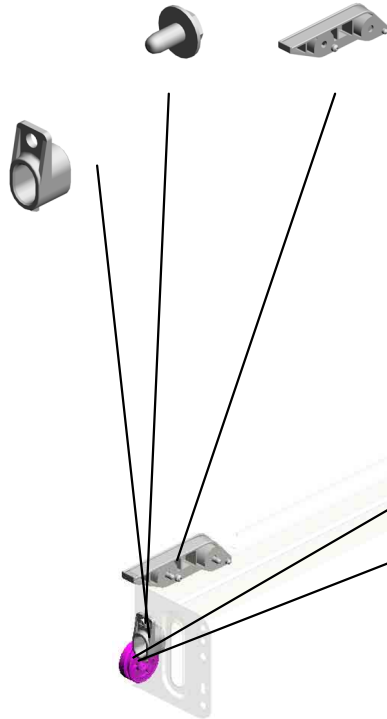
5.04543006Q (x3)
TAPPING SCREW - M3X6

78.D0E32924
STOPPER:PAPER TRAY



113.D1492905
SUPPORTER:RIGHT:NO.1:ASS'Y

77.D0E32913
HOLDER:POSITIONING



11.08050103
RETAINING RINGS -E:SILENCER:DIA3

119.D1492956
ROLLER:SUPPORTER:PAPER TRAY

U001	U002	U003	U004	U005	U006	U007	U008	U009	U010	U011	U012	U013	U014	U015	U016	U017	U018
------	------	------	------	------	------	------	------	------	------	------	------	------	------	------	------	------	------

U005_S006
 SUPPORTER:RIGHT:NO.2:ASS'Y

5.04543006Q (x3)
 TAPPING SCREW - M3X6
 78.D0E32924
 STOPPER:PAPER TRAY

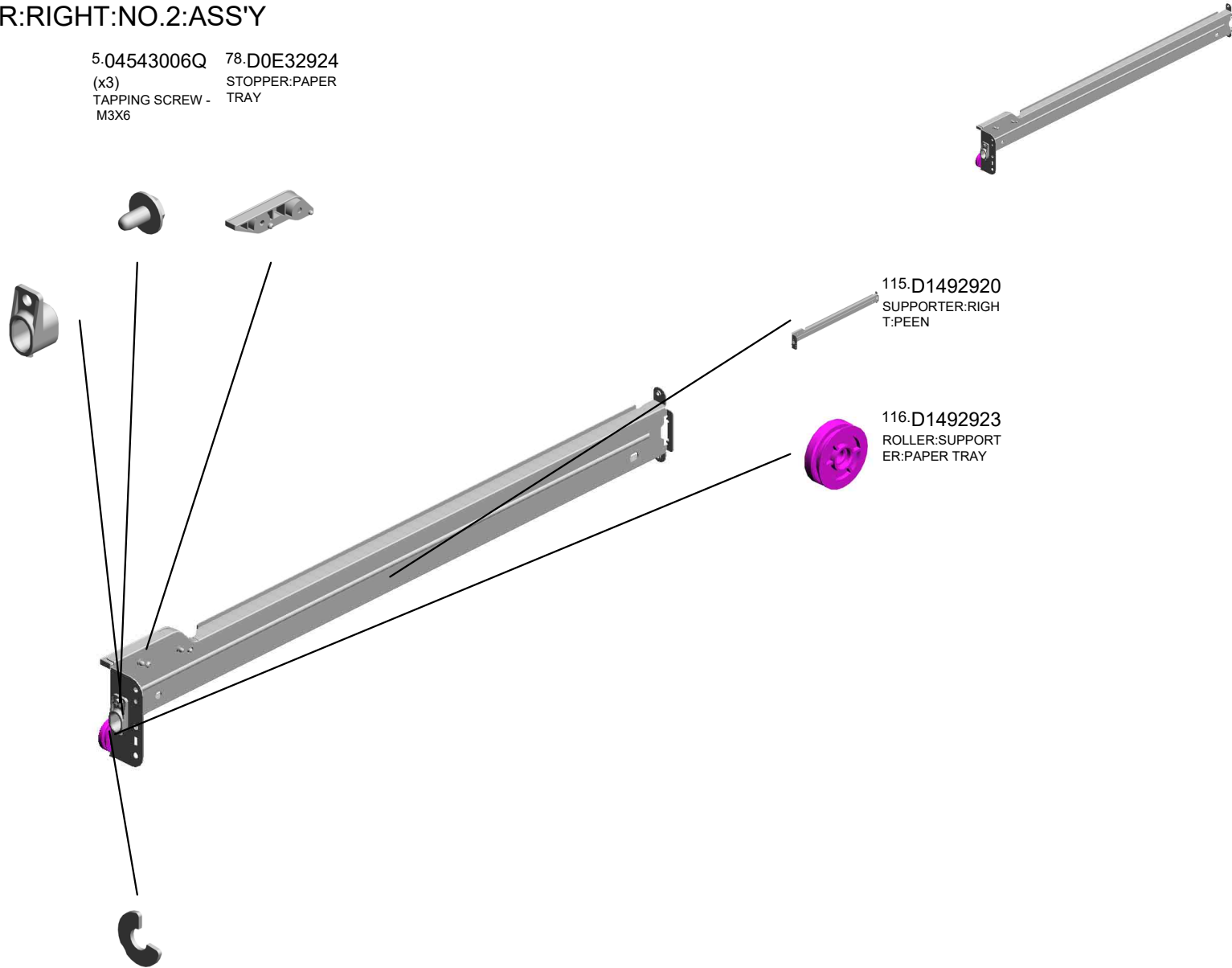
112.D1492903
 SUPPORTER:RIGHT:NO.2:ASS'Y

77.D0E32913
 HOLDER:POSITIONING

115.D1492920
 SUPPORTER:RIGHT:PEEN

116.D1492923
 ROLLER:SUPPORTER:PAPER TRAY

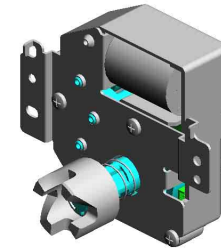
11.08050103
 RETAINING RINGS -E:SILENCER:DIA3



U001	U002	U003	U004	U005	U006	U007	U008	U009	U010	U011	U012	U013	U014	U015	U016	U017	U018
------	------	------	------	------	------	------	------	------	------	------	------	------	------	------	------	------	------

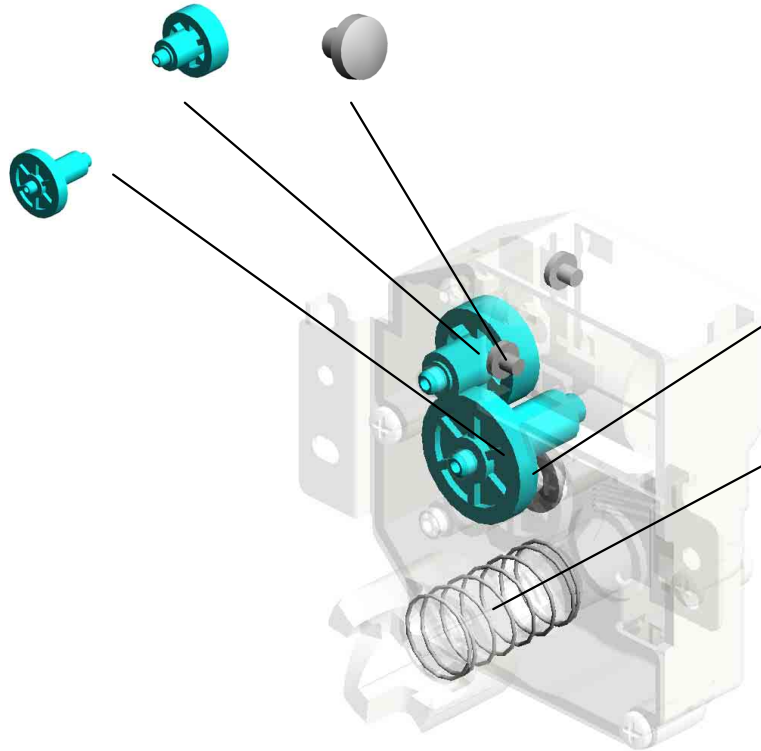
U005_S007
 DC MOTOR:RISING TRAY:ASS'Y:1.007W:BRUSH:(M9/M10)

24.AB017783 1.03530030N
 GEAR:RISING TRA (x2)
 Y:3 SCREW:M3X3



32.AX040273
 DC MOTOR:RISING
 TRAY:ASS'Y:1.007
 W:BRUSH:(M9/M10
)

23.AB017782
 GEAR:RISING TRA
 Y:2



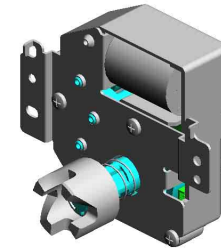
16.AA080361
 PLAIN SHAFT BEA
 RING:CASE:RISIN
 G TRAY

15.AA063701
 COMPRESSION SP
 RING:RISING TRAY

U001	U002	U003	U004	U005	U006	U007	U008	U009	U010	U011	U012	U013	U014	U015	U016	U017	U018
------	------	------	------	------	------	------	------	------	------	------	------	------	------	------	------	------	------

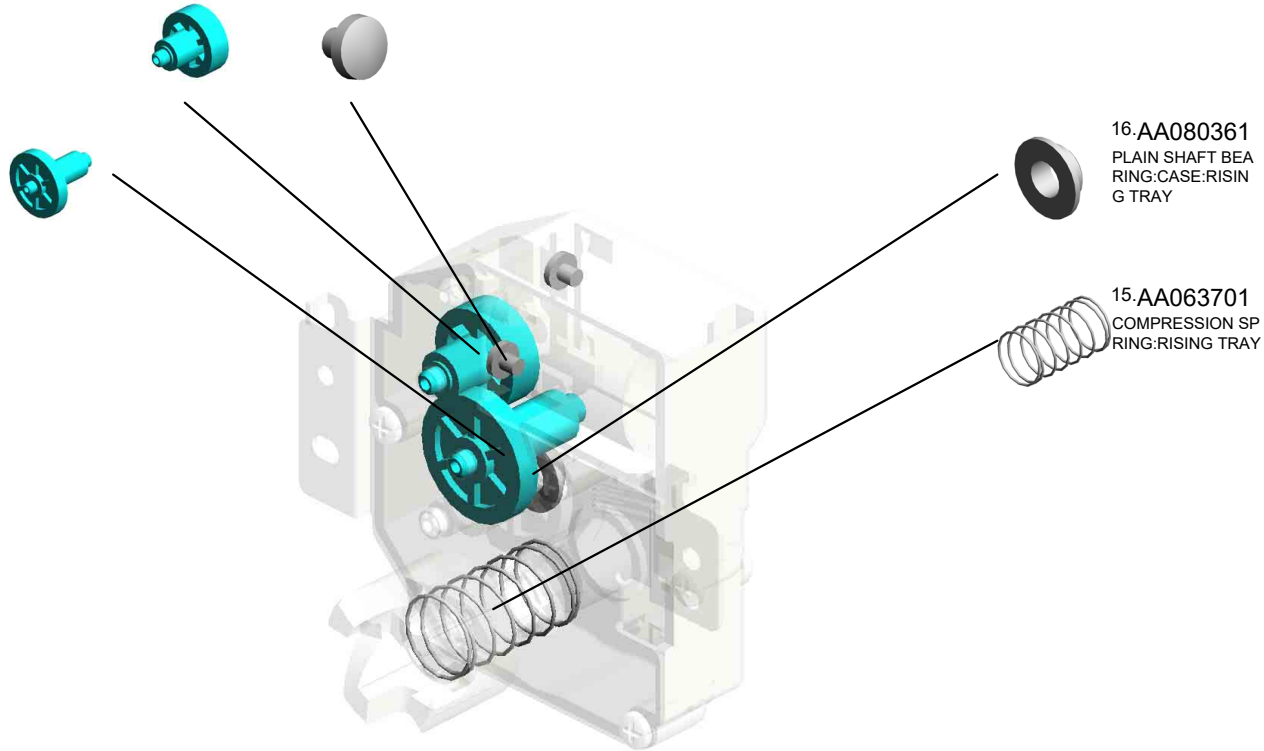
U005_S008
 DC MOTOR:RISING TRAY:ASS'Y:1.007W:BRUSH:(M9/M10)

24.AB017783 1.03530030N
 GEAR:RISING TRA (x2)
 Y:3 SCREW:M3X3



32.AX040273
 DC MOTOR:RISING
 TRAY:ASS'Y:1.007
 W:BRUSH:(M9/M10
)

23.AB017782
 GEAR:RISING TRA
 Y:2



16.AA080361
 PLAIN SHAFT BEA
 RING:CASE:RISIN
 G TRAY

15.AA063701
 COMPRESSION SP
 RING:RISING TRAY

U001	U002	U003	U004	U005	U006	U007	U008	U009	U010	U011	U012	U013	U014	U015	U016	U017	U018
------	------	------	------	------	------	------	------	------	------	------	------	------	------	------	------	------	------

U006.PCDU

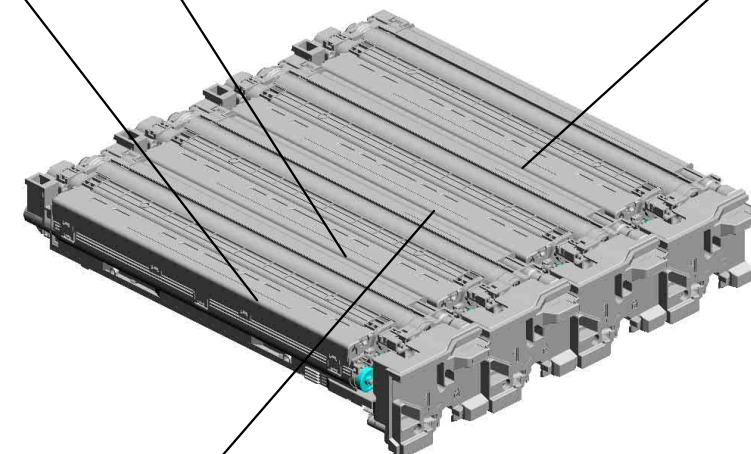
U006 S003
D0DZ2212
PCDU:M:IMC2010-2510



U006 S004
D0DZ2213
PCDU:Y:IMC2010-2510



U006 S001
D0DZ2210
PCDU:K:IMC2010-2510



U006 S002
D0DZ2211
PCDU:C:IMC2010-2510



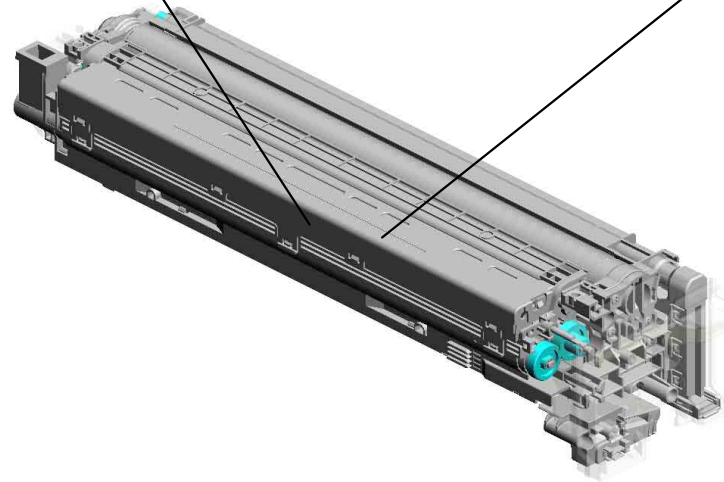
U001	U002	U003	U004	U005	U006	U007	U008	U009	U010	U011	U012	U013	U014	U015	U016	U017	U018
------	------	------	------	------	-------------	------	------	------	------	------	------	------	------	------	------	------	------

U006_S001.PCDU:K:IMC2010-2510

U006 S001 S001
D0DZ3000
DEVELOPMENT UNIT:K:IMC2
010-2510



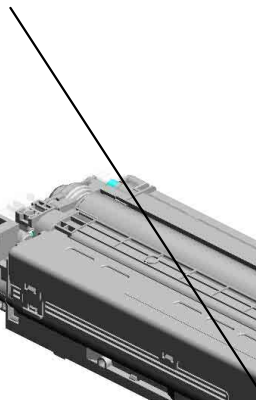
U006 S001 S002
D0DZ2205
PCU:KCMY:IMC2010-2510



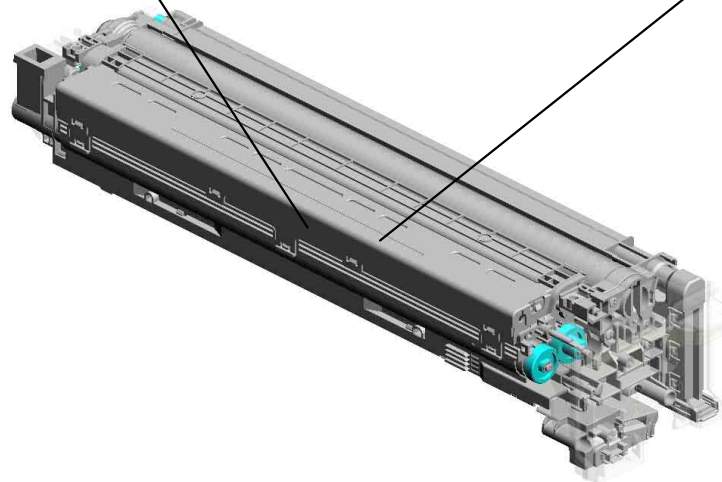
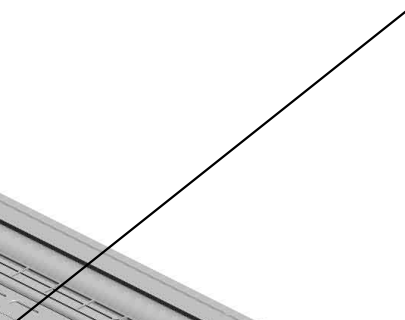
U001	U002	U003	U004	U005	U006	U007	U008	U009	U010	U011	U012	U013	U014	U015	U016	U017	U018
------	------	------	------	------	-------------	------	------	------	------	------	------	------	------	------	------	------	------

U006_S002.PCDU:C:IMC2010-2510

U006 S002 S001
D0DZ3001
DEVELOPMENT UNIT:C:IMC2
010-2510



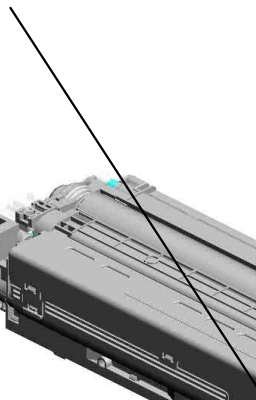
U006 S002 S002
D0DZ2205
PCU:KCMY:IMC2010-2510



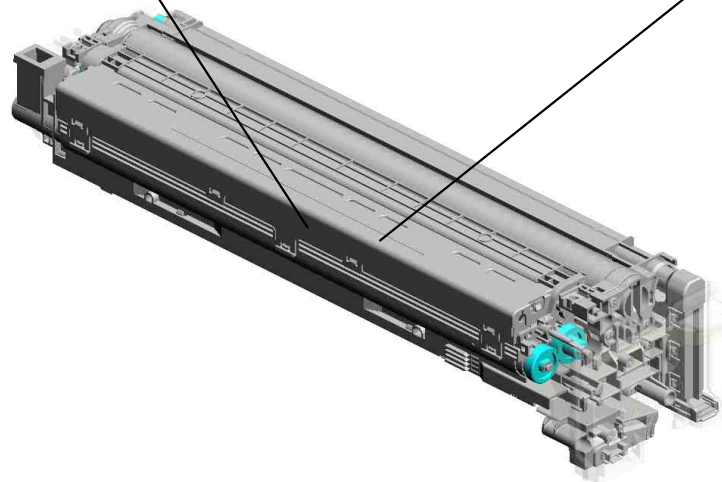
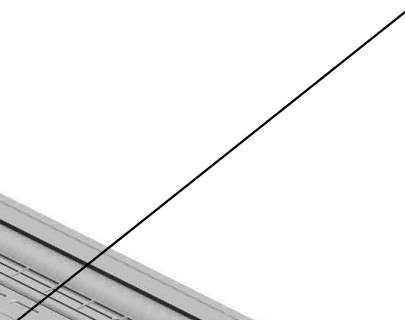
U001	U002	U003	U004	U005	U006	U007	U008	U009	U010	U011	U012	U013	U014	U015	U016	U017	U018
------	------	------	------	------	-------------	------	------	------	------	------	------	------	------	------	------	------	------

U006_S003.PCDU:M:IMC2010-2510

U006 S003 S001
D0DZ3002
DEVELOPMENT UNIT:M:IMC
2010-2510



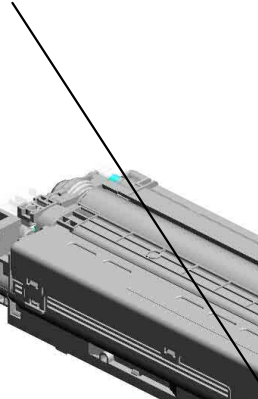
U006 S003 S002
D0DZ2205
PCU:KCMY:IMC2010-2510



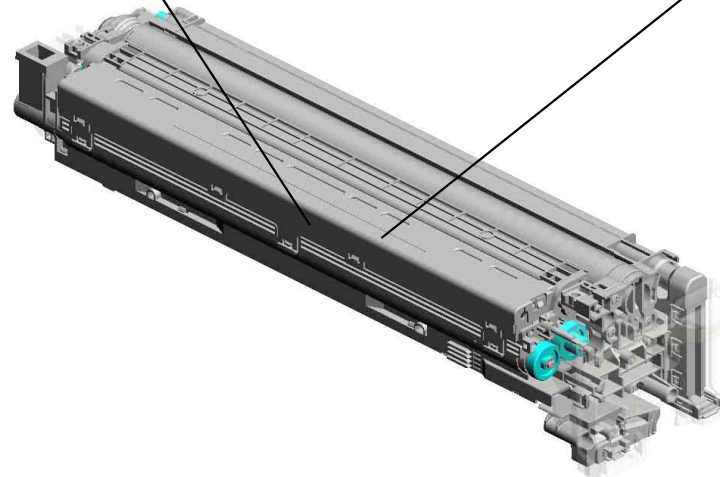
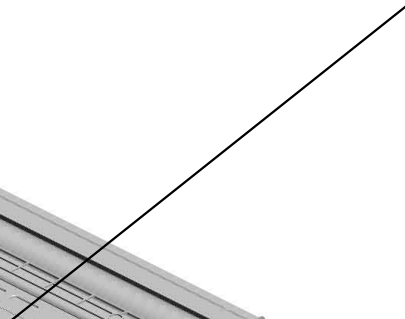
U001	U002	U003	U004	U005	U006	U007	U008	U009	U010	U011	U012	U013	U014	U015	U016	U017	U018
------	------	------	------	------	-------------	------	------	------	------	------	------	------	------	------	------	------	------

U006_S004.PCDU:Y:IMC2010-2510

U006 S004 S001
D0DZ3003
DEVELOPMENT UNIT:Y:IMC2
010-2510



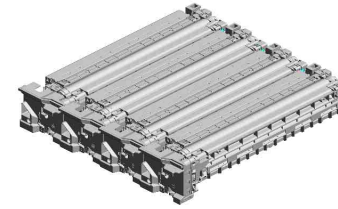
U006 S004 S002
D0DZ2205
PCU:KCMY:IMC2010-2510



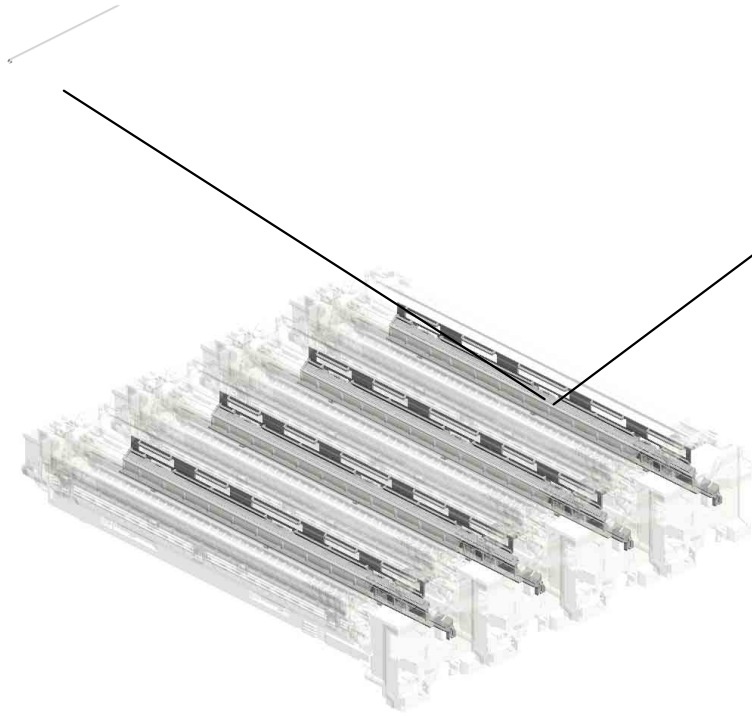
U001	U002	U003	U004	U005	U006	U007	U008	U009	U010	U011	U012	U013	U014	U015	U016	U017	U018
------	------	------	------	------	-------------	------	------	------	------	------	------	------	------	------	------	------	------

U006
PCDU

20.D2442093
(x4)
DISCHARGE LAMP
:LED ARRAY:30



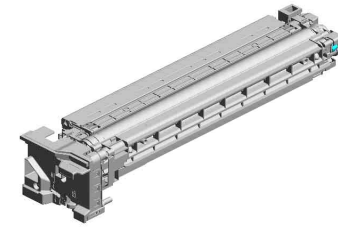
8.D0BK2092
(x4)
FRAME:DISCHARG
E LAMP:30



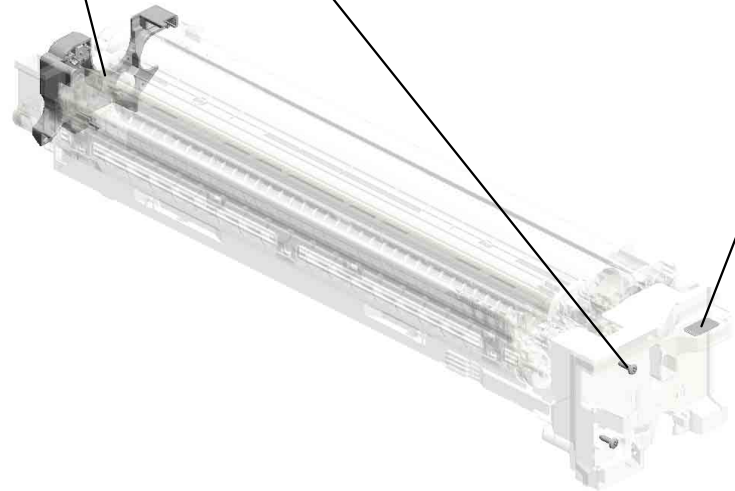
U001	U002	U003	U004	U005	U006	U007	U008	U009	U010	U011	U012	U013	U014	U015	U016	U017	U018
------	------	------	------	------	-------------	------	------	------	------	------	------	------	------	------	------	------	------

U006_S001
PCDU:K:IMC2010-2510

19.D0E33194 2.04593010N
COVER:PCU:REAR (x3)
:ASSY BINDING HEAD TA
PPING SCREW:3X
10



10.D0DZ2210
PCDU:K:IMC2010-2
510



21.GA003995
DECAL:DESIGN SK
ETCH:BLACK

U001	U002	U003	U004	U005	U006	U007	U008	U009	U010	U011	U012	U013	U014	U015	U016	U017	U018
------	------	------	------	------	-------------	------	------	------	------	------	------	------	------	------	------	------	------

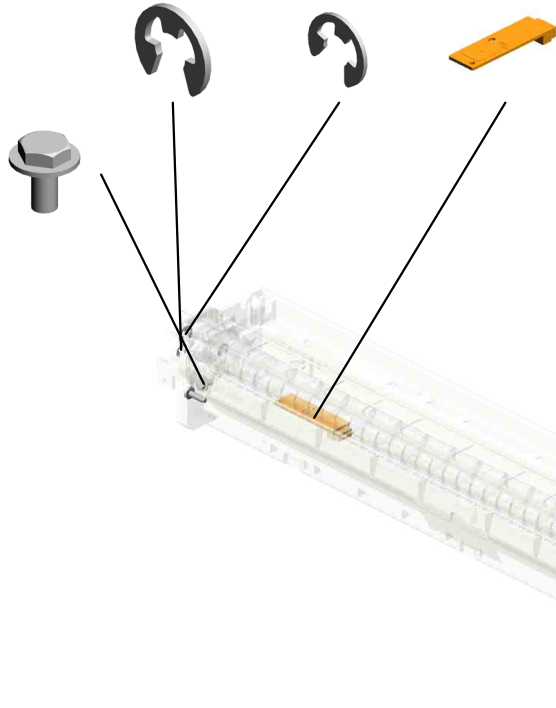
U006_S001_S001
 DEVELOPMENT UNIT:K:IMC2010-2510

3.07200030E (x4) RETAINING RING - M3
 4.07200040E RETAINING RING - M4
 6.AW230113 PCB:MYU:SENSOR (S37/S38/S39/S40)



14.D0DZ3000
 DEVELOPMENT U
 NIT:K:IMC2010-251
 0

1.03603006N
 (x2)
 SCREW - M3X6



18.D0E33143
 JOINT:DEVELOPM
 ENT

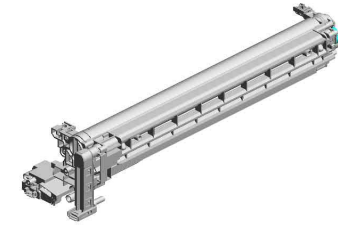
5.08050100
 RETAINING RING -
 M2.5

2.04593010N
 (x3)
 BINDING HEAD TA
 PPING SCREW:3X
 10

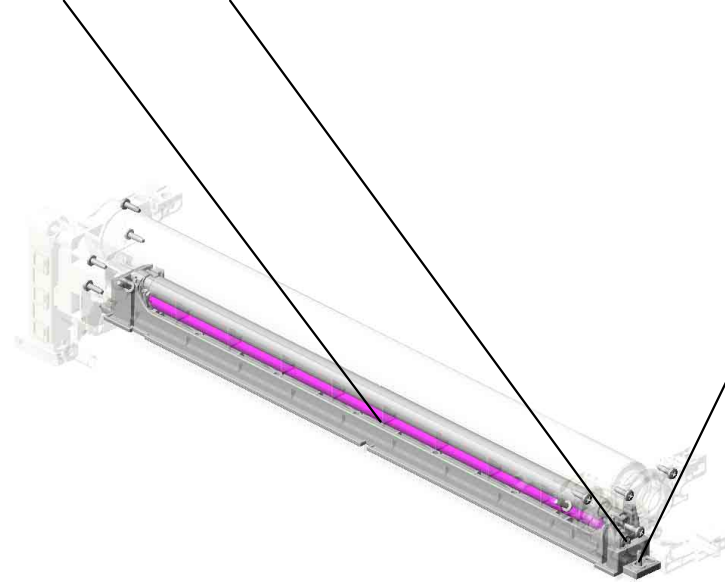
U001	U002	U003	U004	U005	U006	U007	U008	U009	U010	U011	U012	U013	U014	U015	U016	U017	U018
------	------	------	------	------	------	------	------	------	------	------	------	------	------	------	------	------	------

U006_S001_S002
PCU:KCMY:IMC2010-2510

7.D0BK2053 3.07200030E
CHARGE UNIT:30: RETAINING RING -
ASS'Y M3



9.D0DZ2205
PCU:KCMY:IMC201
0-2510

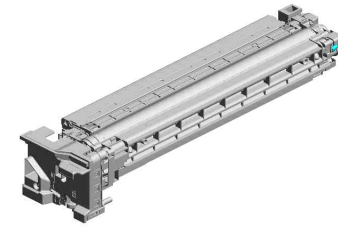


2.04593010N
(x12)
BINDING HEAD TA
PPING SCREW:3X
10

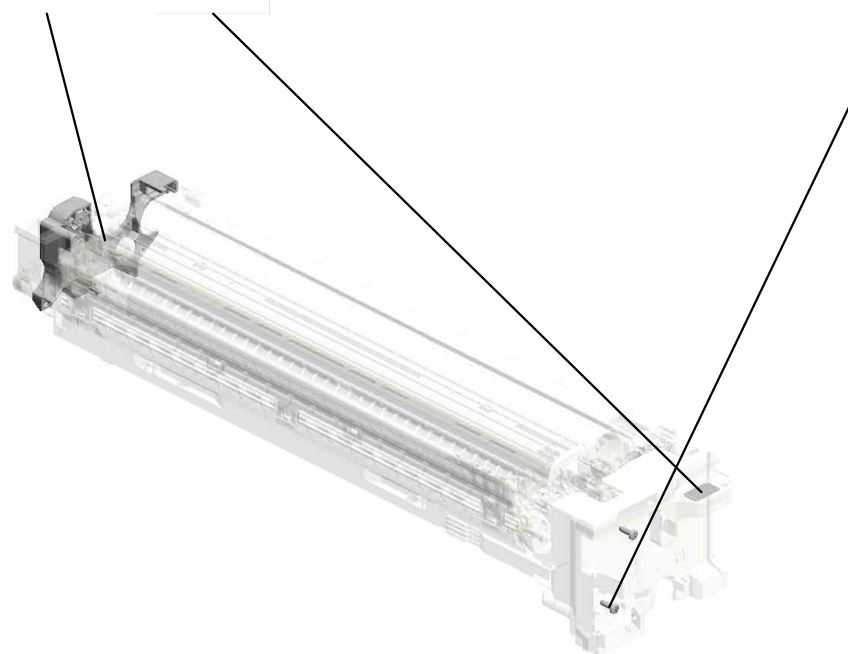
U001	U002	U003	U004	U005	U006	U007	U008	U009	U010	U011	U012	U013	U014	U015	U016	U017	U018
------	------	------	------	------	-------------	------	------	------	------	------	------	------	------	------	------	------	------

U006_S002
PCDU:C:IMC2010-2510

19.D0E33194 22.GA003996
COVER:PCU:REAR DECAL:DESIGN SK
:ASSY ETCH:CYAN



11.D0DZ2211
PCDU:C:IMC2010-2
510



2.04593010N
(x3)
BINDING HEAD TA
PPING SCREW:3X
10

U001	U002	U003	U004	U005	U006	U007	U008	U009	U010	U011	U012	U013	U014	U015	U016	U017	U018
------	------	------	------	------	-------------	------	------	------	------	------	------	------	------	------	------	------	------

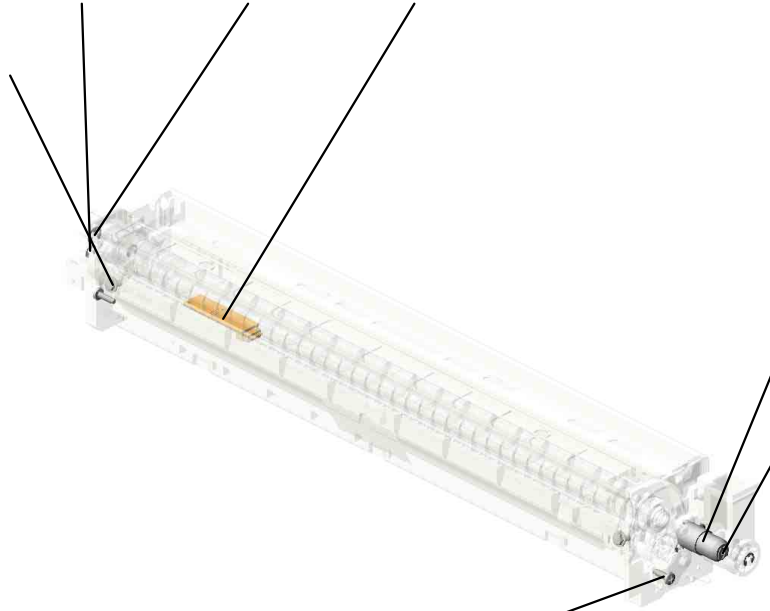
U006_S002_S001
 DEVELOPMENT UNIT:C:IMC2010-2510

3.07200030E (x4) RETAINING RING - M3
 4.07200040E RETAINING RING - M4
 6.AW230113 PCB:MYU:SENSOR (S37/S38/S39/S40)



15.D0DZ3001
 DEVELOPMENT U
 NIT:C:IMC2010-251
 0

1.03603006N
 (x2)
 SCREW - M3X6



18.D0E33143
 JOINT:DEVELOPM
 ENT



5.08050100
 RETAINING RING -
 M2.5



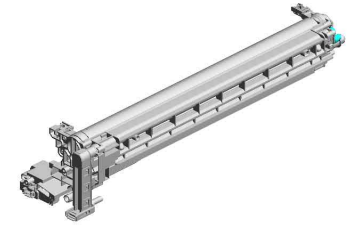
2.04593010N
 (x3)
 BINDING HEAD TA
 PPING SCREW:3X
 10



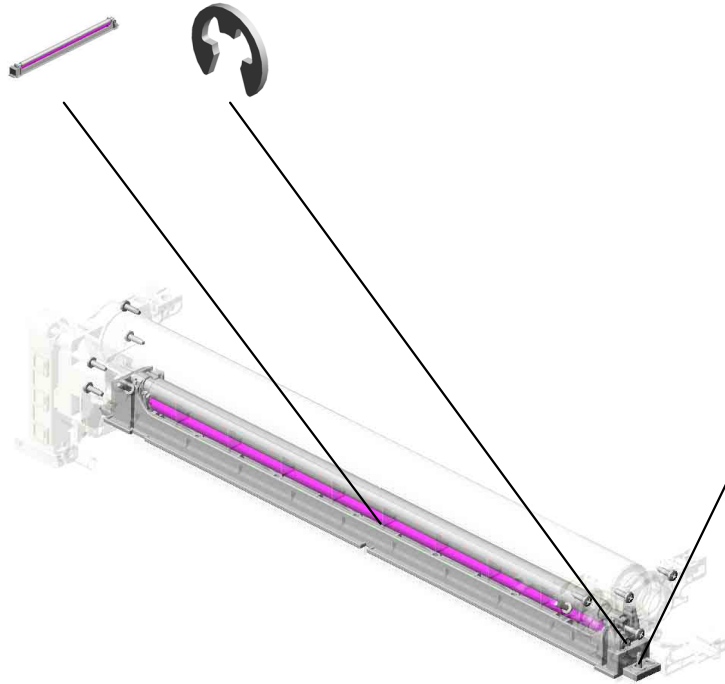
U001	U002	U003	U004	U005	U006	U007	U008	U009	U010	U011	U012	U013	U014	U015	U016	U017	U018
------	------	------	------	------	------	------	------	------	------	------	------	------	------	------	------	------	------

U006_S002_S002
PCU:KCMY:IMC2010-2510

7.D0BK2053 3.07200030E
CHARGE UNIT:30: RETAINING RING -
ASS'Y M3



9.D0DZ2205
PCU:KCMY:IMC201
0-2510

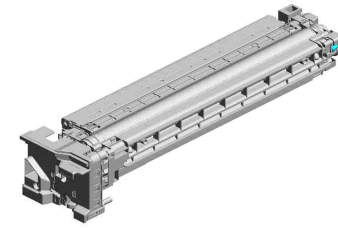


2.04593010N
(x12)
BINDING HEAD TA
PPING SCREW:3X
10

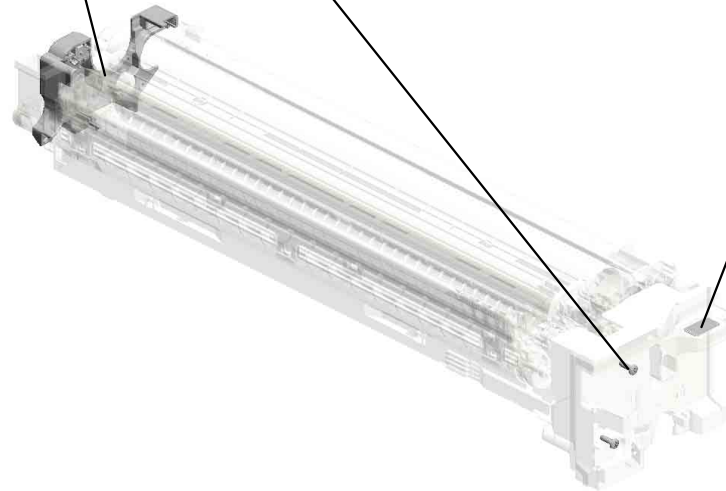
U001	U002	U003	U004	U005	U006	U007	U008	U009	U010	U011	U012	U013	U014	U015	U016	U017	U018
------	------	------	------	------	-------------	------	------	------	------	------	------	------	------	------	------	------	------

U006_S003
PCDU:M:IMC2010-2510

19.D0E33194 2.04593010N
COVER:PCU:REAR (x3)
:ASSY BINDING HEAD TA
PPING SCREW:3X
10



12.D0DZ2212
PCDU:M:IMC2010-2
510



23.GA003997
DECAL:DESIGN SK
ETCH:MAGENTA

U001	U002	U003	U004	U005	U006	U007	U008	U009	U010	U011	U012	U013	U014	U015	U016	U017	U018
------	------	------	------	------	-------------	------	------	------	------	------	------	------	------	------	------	------	------

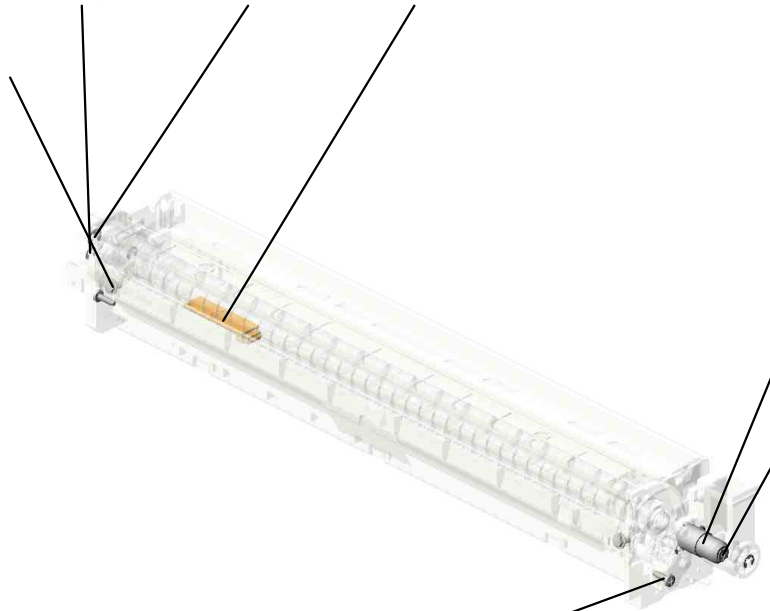
U006_S003_S001
 DEVELOPMENT UNIT:M:IMC2010-2510

3.07200030E (x4) RETAINING RING - M3
 4.07200040E RETAINING RING - M4
 6.AW230113 PCB:MYU:SENSOR (S37/S38/S39/S40)



16.D0DZ3002
 DEVELOPMENT U
 NIT:M:IMC2010-251
 0

1.03603006N
 (x2)
 SCREW - M3X6



18.D0E33143
 JOINT:DEVELOPM
 ENT



5.08050100
 RETAINING RING -
 M2.5



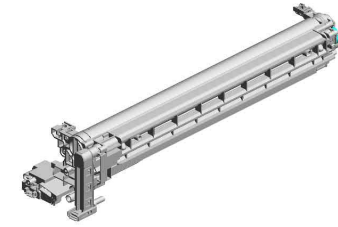
2.04593010N
 (x3)
 BINDING HEAD TA
 PPING SCREW:3X
 10



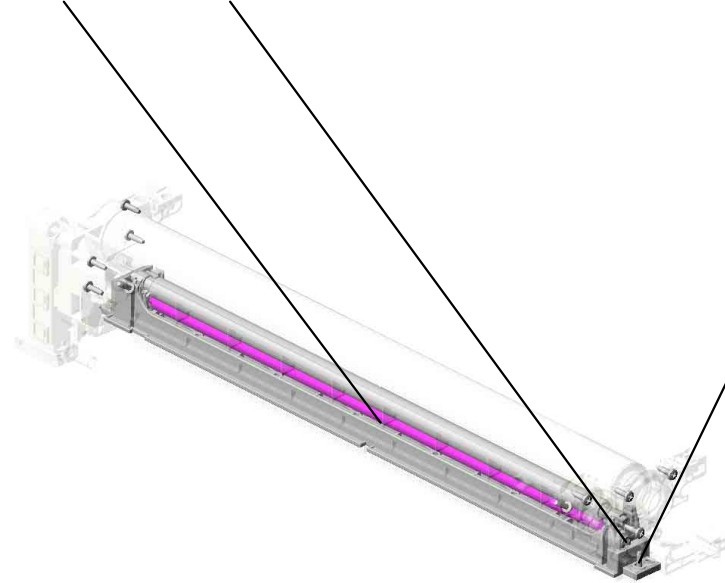
U001	U002	U003	U004	U005	U006	U007	U008	U009	U010	U011	U012	U013	U014	U015	U016	U017	U018
------	------	------	------	------	------	------	------	------	------	------	------	------	------	------	------	------	------

U006_S003_S002
PCU:KCMY:IMC2010-2510

7.D0BK2053 3.07200030E
CHARGE UNIT:30: RETAINING RING -
ASS'Y M3



9.D0DZ2205
PCU:KCMY:IMC201
0-2510

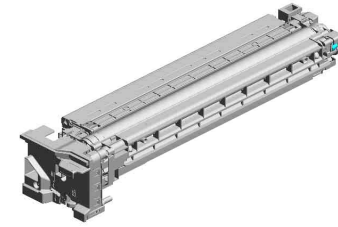


2.04593010N
(x12)
BINDING HEAD TA
PPING SCREW:3X
10

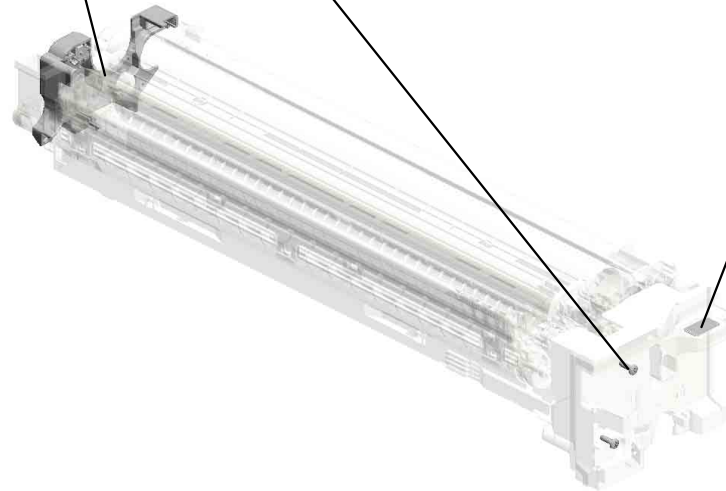
U001	U002	U003	U004	U005	U006	U007	U008	U009	U010	U011	U012	U013	U014	U015	U016	U017	U018
------	------	------	------	------	-------------	------	------	------	------	------	------	------	------	------	------	------	------

U006_S004
PCDU:Y:IMC2010-2510

19.D0E33194 2.04593010N
COVER:PCU:REAR (x3)
:ASSY BINDING HEAD TA
PPING SCREW:3X
10



13.D0DZ2213
PCDU:Y:IMC2010-2
510



24.GA003998
DECAL:DESIGN SK
ETCH:YELLOW

U001	U002	U003	U004	U005	U006	U007	U008	U009	U010	U011	U012	U013	U014	U015	U016	U017	U018
------	------	------	------	------	-------------	------	------	------	------	------	------	------	------	------	------	------	------

U006_S004_S001

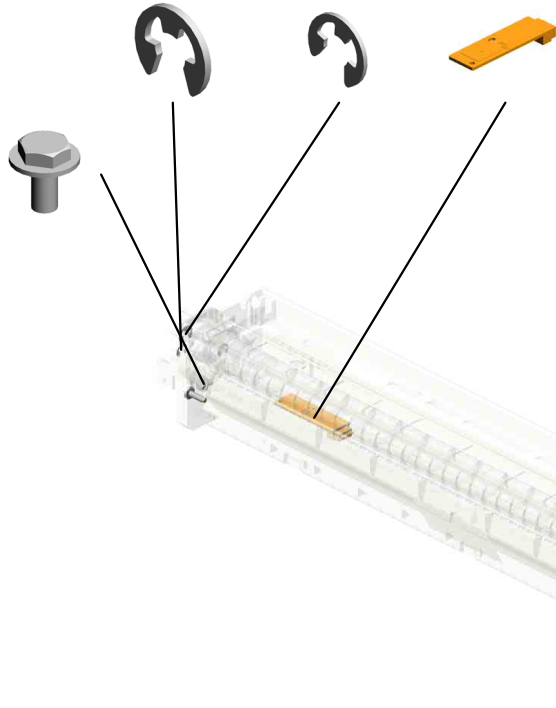
DEVELOPMENT UNIT:Y:IMC2010-2510

3.07200030E (x4) RETAINING RING - M3
4.07200040E RETAINING RING - M4
6.AW230113 PCB:MYU:SENSOR (S37/S38/S39/S40)



17.D0DZ3003
DEVELOPMENT U
NIT:Y:IMC2010-251
0

1.03603006N
(x2)
SCREW - M3X6



18.D0E33143
JOINT:DEVELOPM
ENT

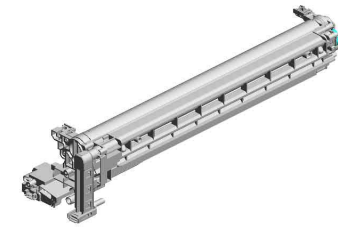
5.08050100
RETAINING RING -
M2.5

2.04593010N
(x3)
BINDING HEAD TA
PPING SCREW:3X
10

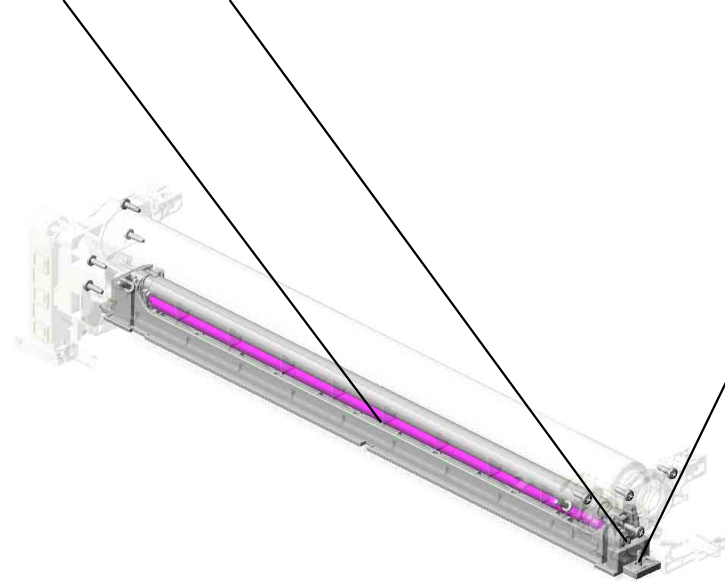
U001	U002	U003	U004	U005	U006	U007	U008	U009	U010	U011	U012	U013	U014	U015	U016	U017	U018
------	------	------	------	------	-------------	------	------	------	------	------	------	------	------	------	------	------	------

U006_S004_S002
PCU:KCMY:IMC2010-2510

7.D0BK2053 3.07200030E
CHARGE UNIT:30: RETAINING RING -
ASS'Y M3



9.D0DZ2205
PCU:KCMY:IMC201
0-2510



2.04593010N
(x12)
BINDING HEAD TA
PPING SCREW:3X
10

U001	U002	U003	U004	U005	U006	U007	U008	U009	U010	U011	U012	U013	U014	U015	U016	U017	U018
------	------	------	------	------	-------------	------	------	------	------	------	------	------	------	------	------	------	------

U007.DEVELOPMENT

U007 S005
D0E33381
TRANSPORT SCREW:NOZZL
E:BK:ASS'Y

U007 S011
D0E33310
DRIVE UNIT:TONER BOTTLE
:ASS'Y

U007 S006
D0E33382
TRANSPORT SCREW:NOZZL
E:CMY:ASS'Y

U007 S010
D0E33310
DRIVE UNIT:TONER BOTTLE
:ASS'Y

U007 S007
D0E33382
TRANSPORT SCREW:NOZZL
E:CMY:ASS'Y

U007 S001
D0E33340
TONER HOPPER:TONER SU
PPLY:K:ASS'Y

U007 S012
D0E33310
DRIVE UNIT:TONER BOTTLE
:ASS'Y

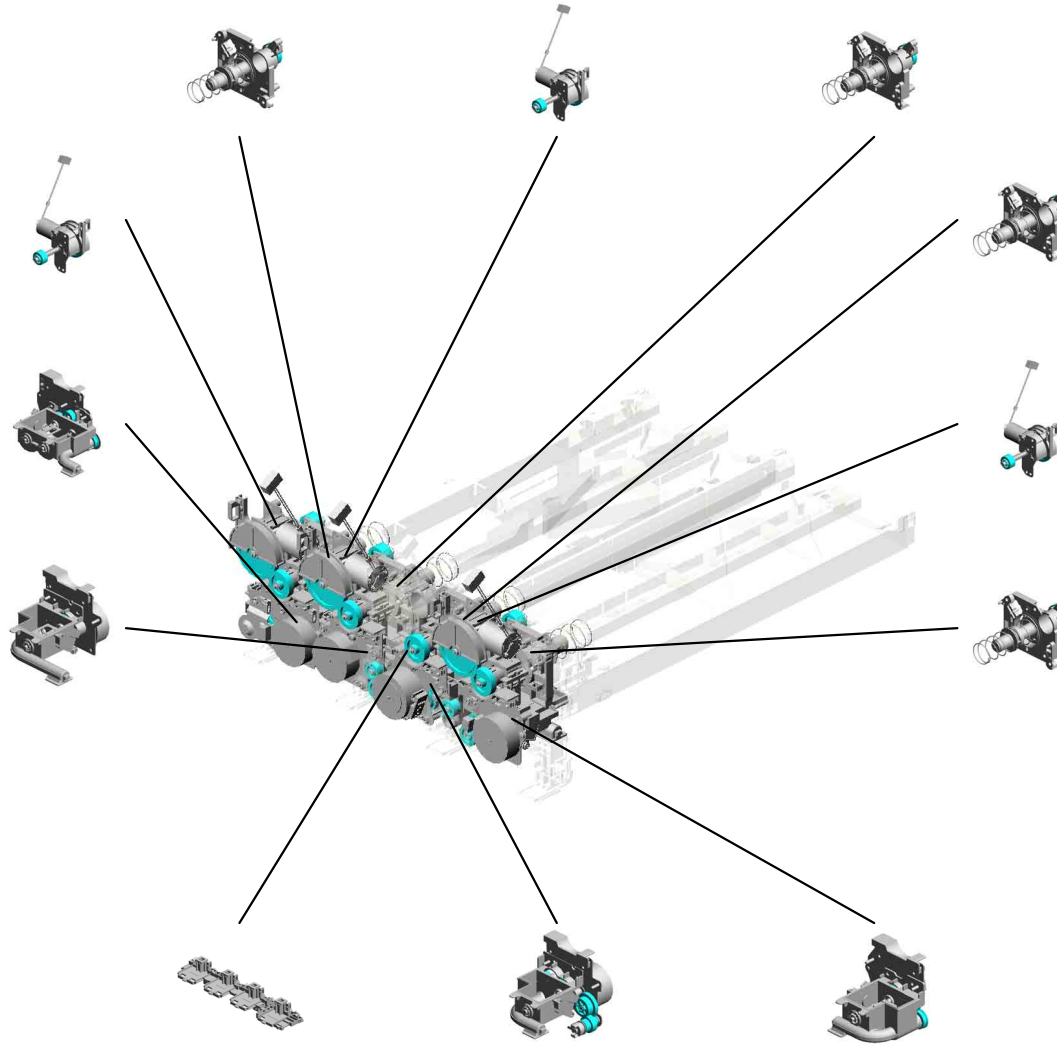
U007 S002
D0E33350
TONER HOPPER:TONER SU
PPLY:C:ASS'Y

U007 S008
D0E33382
TRANSPORT SCREW:NOZZL
E:CMY:ASS'Y

U007 S009
D0E33388
BASE:TONER HOPPER:REA
R:ASS'Y

U007 S003
D0E33360
TONER HOPPER:TONER SU
PPLY:M:ASS'Y

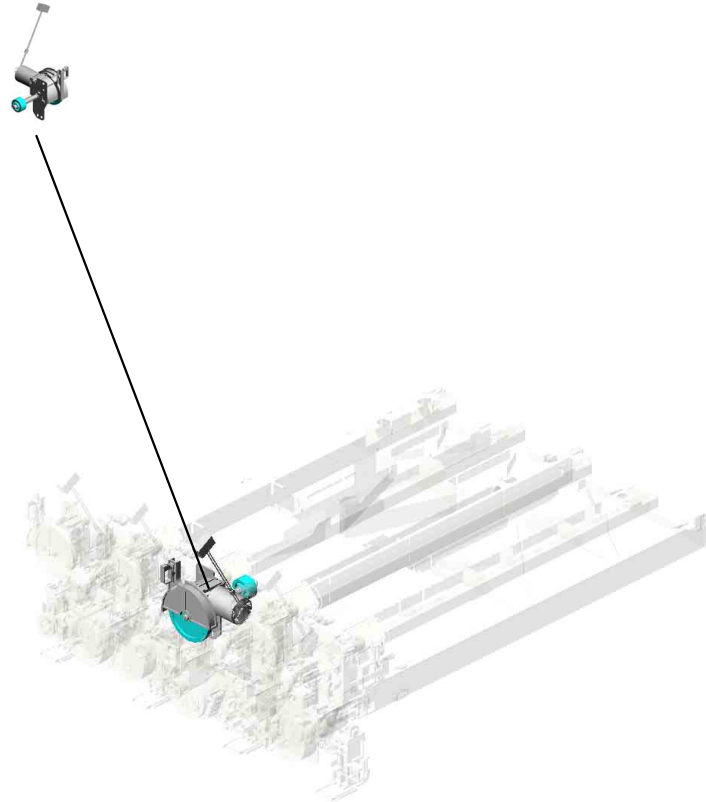
U007 S004
D0E33370
TONER HOPPER:TONER SU
PPLY:Y:ASS'Y



U001	U002	U003	U004	U005	U006	U007	U008	U009	U010	U011	U012	U013	U014	U015	U016	U017	U018
------	------	------	------	------	------	------	------	------	------	------	------	------	------	------	------	------	------

U007.DEVELOPMENT

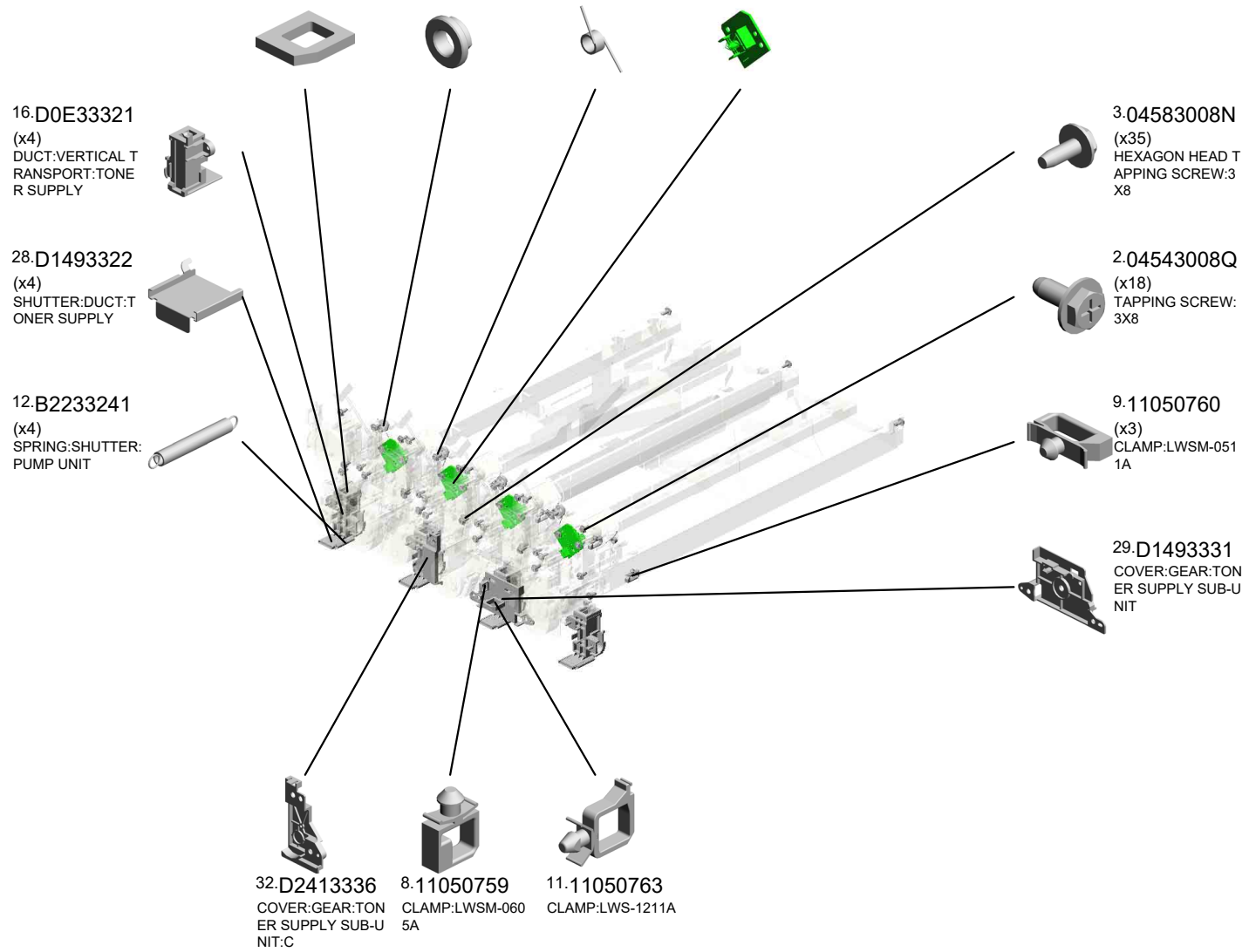
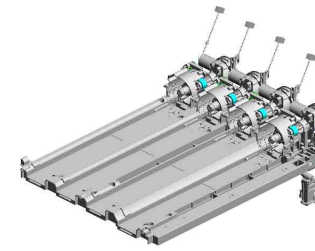
U007 S013
D0E33310
DRIVE UNIT:TONER BOTTLE
:ASSY



U001	U002	U003	U004	U005	U006	U007	U008	U009	U010	U011	U012	U013	U014	U015	U016	U017	U018
------	------	------	------	------	------	------	------	------	------	------	------	------	------	------	------	------	------

U007 DEVELOPMENT

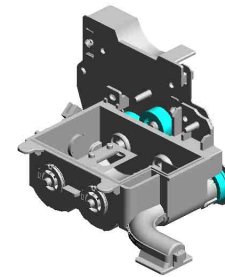
- 17.D0E33322 (x4) SEAL:DUCT:TONE R SUPPLY
- 30.D1493343 (x4) COLLAR:TONER SUPPLY
- 26.D1473325 (x8) TORSION SPRING: STOPPER:TONER CARTRIDGE:4.8N
- 34.D0BQ5172 (x4) (CHN):PCB:TCB:(P CB3/PCB4/PCB5/P CB6)



U001	U002	U003	U004	U005	U006	U007	U008	U009	U010	U011	U012	U013	U014	U015	U016	U017	U018
------	------	------	------	------	------	------	------	------	------	------	------	------	------	------	------	------	------

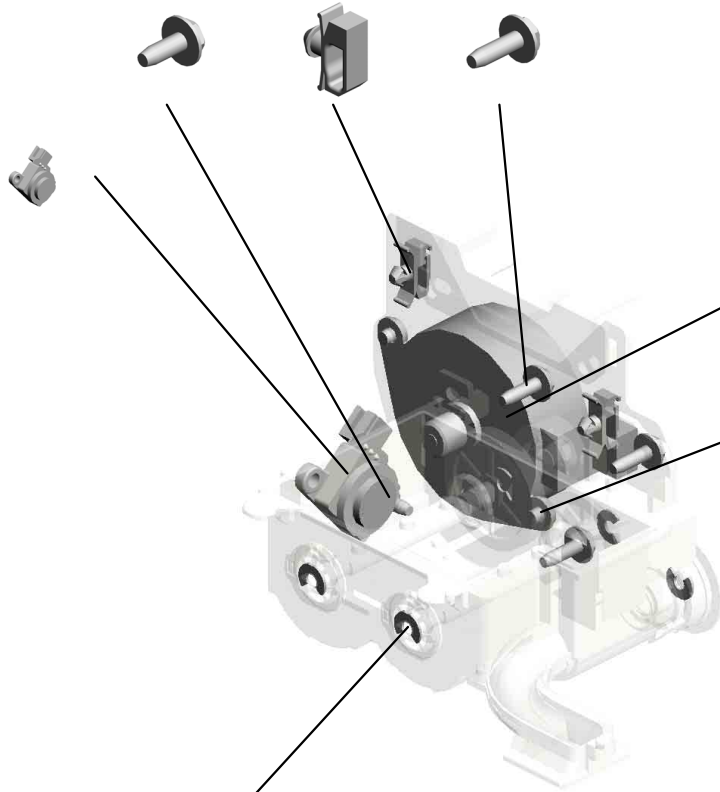
U007_S001
 TONER HOPPER:TONER SUPPLY:K:ASS'Y

3-04583008N 7-11050758 4-04583010N
 HEXAGON HEAD TAPPING SCREW:3 X8 (x2) CLAMP:LWSM-0306A (x3) HEXAGON HEAD TAPPING SCREW:3 X10



18.D0E33340
 TONER HOPPER:TONER SUPPLY:K:ASS'Y

33.GW230008
 TONER END SENSOR: (S28/S29/S30/S31)



31.D1493350
 DC STEPPER MOTOR: TONER SUPPLY: (M19/M20/M22)

1-03530030N
 (x2) SCREW:M3X3

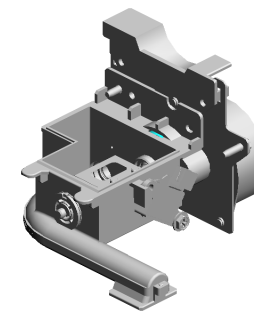
6-08050103
 (x5) RETAINING RINGS -E:SILENCER:DIA3

U001	U002	U003	U004	U005	U006	U007	U008	U009	U010	U011	U012	U013	U014	U015	U016	U017	U018
------	------	------	------	------	------	------	------	------	------	------	------	------	------	------	------	------	------

U007_S002
 TONER HOPPER:TONER SUPPLY:C:ASS'Y

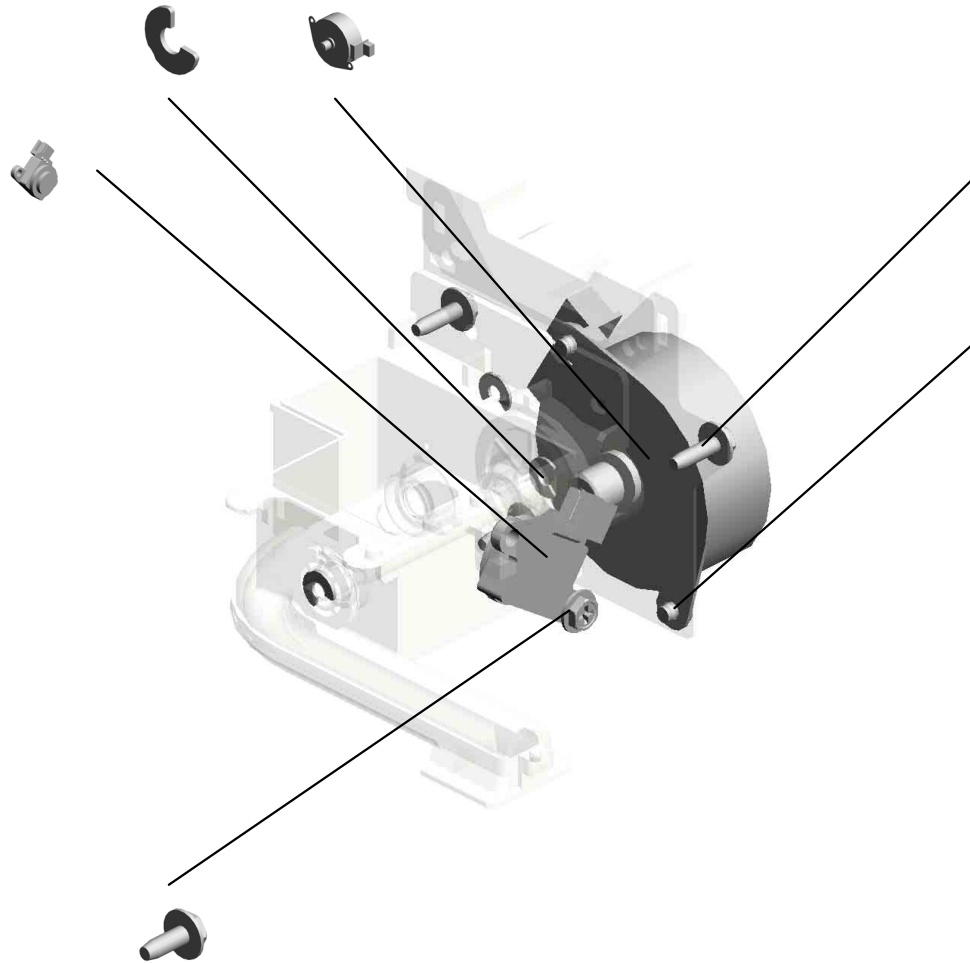
6.08050103 (x3)
 RETAINING RINGS
 -E:SILENCER:DIA3

31.D1493350
 DC STEPPER MOT
 OR:TONER SUPPL
 Y:(M19/M20/M22)



19.D0E33350
 TONER HOPPER:T
 ONER SUPPLY:C:A
 SS'Y

33.GW230008
 TONER END SENS
 OR:(S28/S29/S30/S
 31)



4.04583010N
 (x3)
 HEXAGON HEAD T
 APPING SCREW:3
 X10

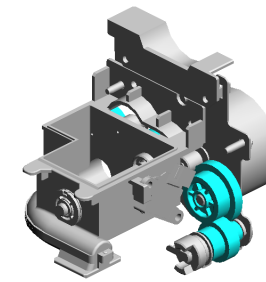
1.03530030N
 (x2)
 SCREW:M3X3

3.04583008N
 HEXAGON HEAD T
 APPING SCREW:3
 X8

U001	U002	U003	U004	U005	U006	U007	U008	U009	U010	U011	U012	U013	U014	U015	U016	U017	U018
------	------	------	------	------	------	------	------	------	------	------	------	------	------	------	------	------	------

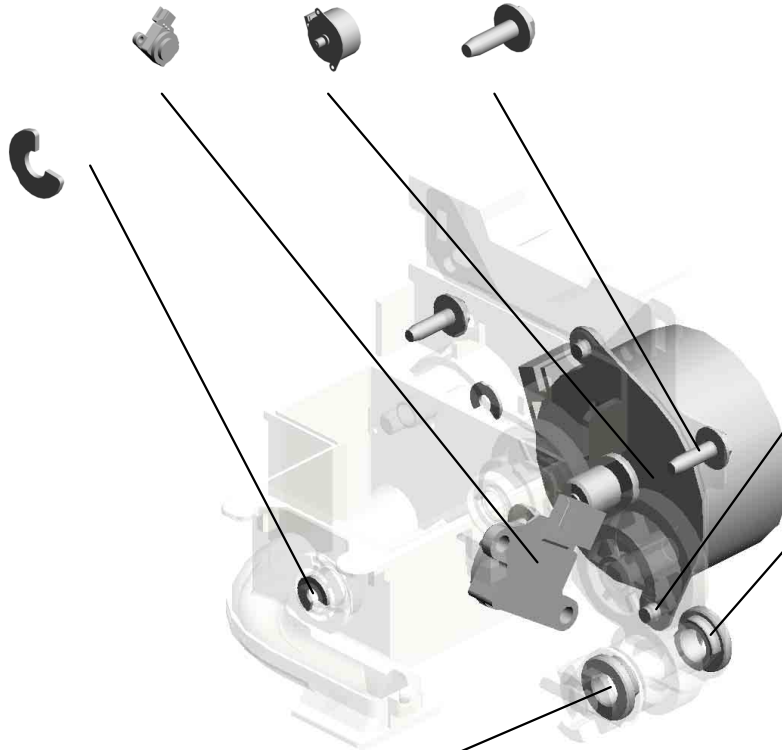
U007_S003
 TONER HOPPER:TONER SUPPLY:M:ASS'Y

33.GW230008 TONER END SENS
 OR:(S28/S29/S30/S
 31)
 21.D0E33366 DC STEPPER MOT
 OR:TONER SUPPL
 Y:ON-OFF:(M21)
 4.04583010N (x3)
 HEXAGON HEAD T
 APPING SCREW:3
 X10



20.D0E33360
 TONER HOPPER:T
 ONER SUPPLY:M:A
 SS'Y

6.08050103
 (x2)
 RETAINING RINGS
 -E:SILENCER:DIA3



1.03530030N
 (x2)
 SCREW:M3X3



6.08050103
 (x2)
 RETAINING RINGS
 -E:SILENCER:DIA3

5.07200040E
 RETAINING RING -
 M4



3.04583008N(x 1)
 HEXAGON HEAD TAPPING SCREW:3X
 8

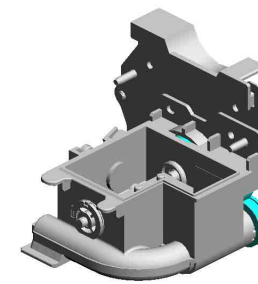
30.D1493343
 (x2)
 COLLAR:TONER S
 UPPLY



U001	U002	U003	U004	U005	U006	U007	U008	U009	U010	U011	U012	U013	U014	U015	U016	U017	U018
------	------	------	------	------	------	------	------	------	------	------	------	------	------	------	------	------	------

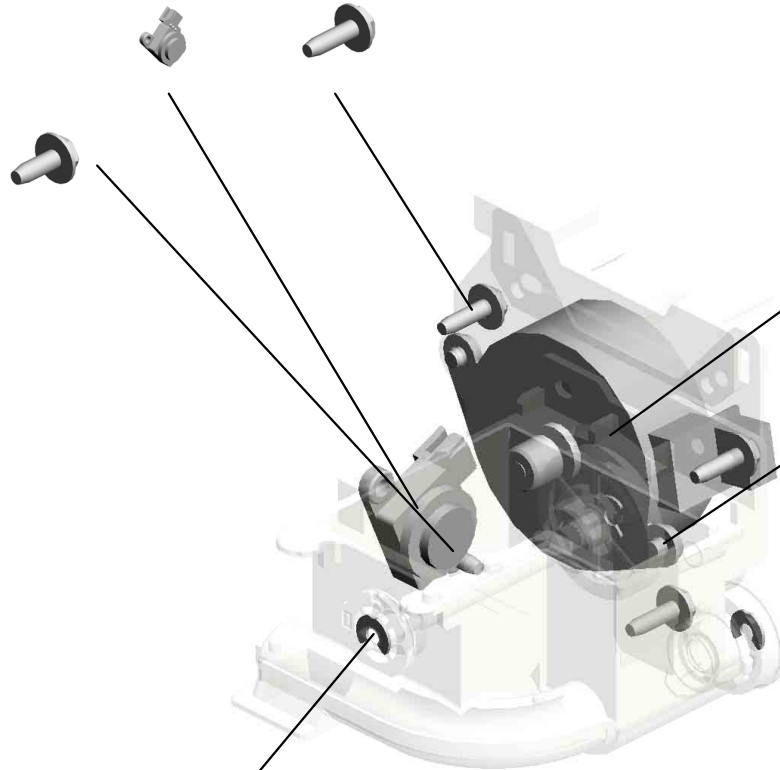
U007_S004
 TONER HOPPER:TONER SUPPLY:Y:ASS'Y

33.GW230008 4.04583010N
 TONER END SENS (x3)
 OR:(S28/S29/S30/S
 31) HEXAGON HEAD T
 APPING SCREW:3
 X10



22.D0E33370
 TONER HOPPER:T
 ONER SUPPLY:Y:A
 SS'Y

3.04583008N
 HEXAGON HEAD T
 APPING SCREW:3
 X8



31.D1493350
 DC STEPPER MOT
 OR:TONER SUPPL
 Y:(M19/M20/M22)

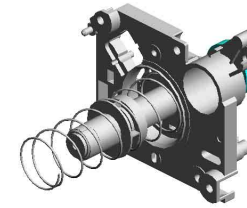
1.03530030N
 (x2)
 SCREW:M3X3

6.08050103
 (x3)
 RETAINING RINGS
 -E:SILENCER:DIA3

U001	U002	U003	U004	U005	U006	U007	U008	U009	U010	U011	U012	U013	U014	U015	U016	U017	U018
------	------	------	------	------	------	------	------	------	------	------	------	------	------	------	------	------	------

U007_S005
TRANSPORT SCREW:NOZZLE:BK:ASS'Y

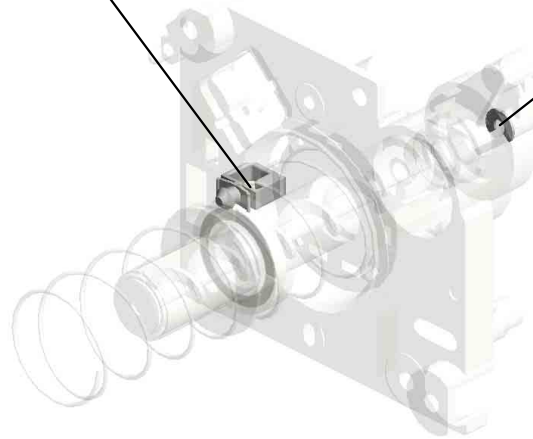
8.11050759
CLAMP:LWSM-060
5A



23.D0E33381
TRANSPORT SCR
EW:NOZZLE:BK:AS
SY



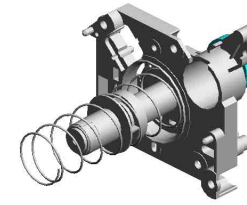
6.08050103
RETAINING RINGS
-E:SILENCER:DIA3



U001	U002	U003	U004	U005	U006	U007	U008	U009	U010	U011	U012	U013	U014	U015	U016	U017	U018
------	------	------	------	------	------	------	------	------	------	------	------	------	------	------	------	------	------

U007_S006
TRANSPORT SCREW:NOZZLE:CMY:ASS'Y

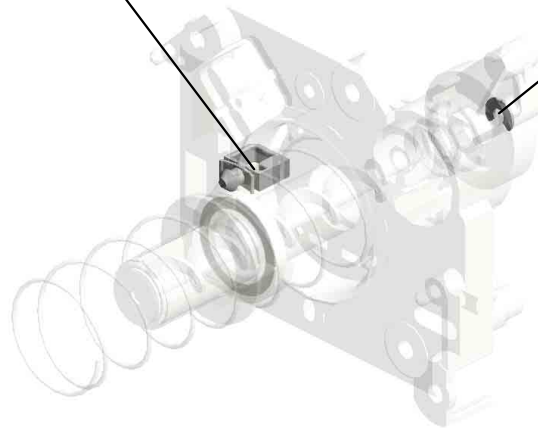
8.11050759
CLAMP:LWSM-060
5A



24.D0E33382
TRANSPORT SCR
EW:NOZZLE:CMY:
ASS'Y



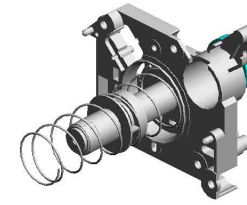
6.08050103
RETAINING RINGS
-E:SILENCER:DIA3



U001	U002	U003	U004	U005	U006	U007	U008	U009	U010	U011	U012	U013	U014	U015	U016	U017	U018
------	------	------	------	------	------	------	------	------	------	------	------	------	------	------	------	------	------

U007_S007
TRANSPORT SCREW:NOZZLE:CMY:ASS'Y

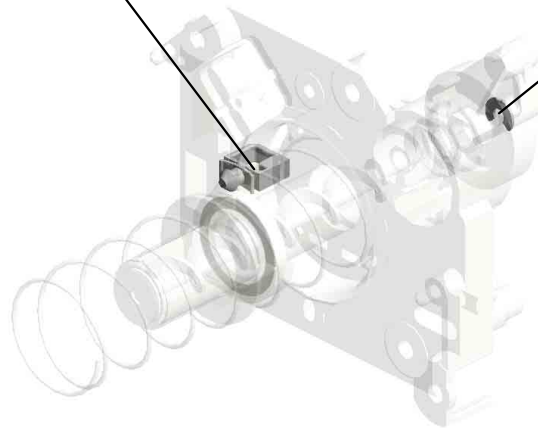
8.11050759
CLAMP:LWSM-060
5A



24.D0E33382
TRANSPORT SCR
EW:NOZZLE:CMY:
ASS'Y



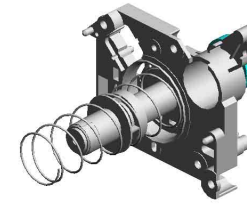
6.08050103
RETAINING RINGS
-E:SILENCER:DIA3



U001	U002	U003	U004	U005	U006	U007	U008	U009	U010	U011	U012	U013	U014	U015	U016	U017	U018
------	------	------	------	------	------	------	------	------	------	------	------	------	------	------	------	------	------

U007_S008
TRANSPORT SCREW:NOZZLE:CMY:ASS'Y

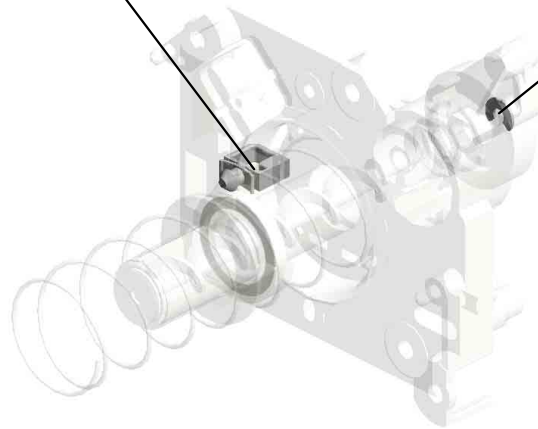
8.11050759
CLAMP:LWSM-060
5A



24.D0E33382
TRANSPORT SCR
EW:NOZZLE:CMY:
ASS'Y



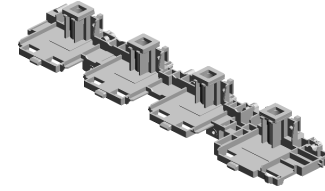
6.08050103
RETAINING RINGS
-E:SILENCER:DIA3



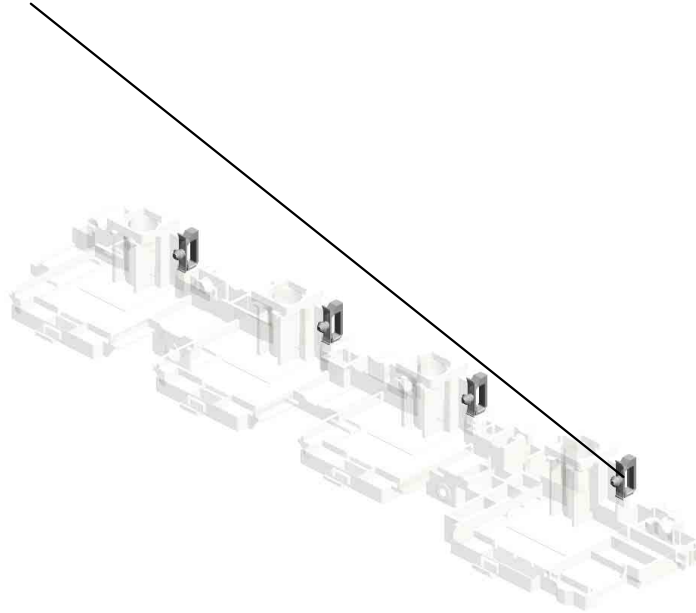
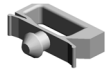
U001	U002	U003	U004	U005	U006	U007	U008	U009	U010	U011	U012	U013	U014	U015	U016	U017	U018
------	------	------	------	------	------	------	------	------	------	------	------	------	------	------	------	------	------

U007_S009
BASE:TONER HOPPER:REAR:ASS'Y

9.11050760
(x4)
CLAMP:LWSM-051
1A



25.D0E33388
BASE:TONER HOP
PER:REAR:ASS'Y



U001	U002	U003	U004	U005	U006	U007	U008	U009	U010	U011	U012	U013	U014	U015	U016	U017	U018
------	------	------	------	------	------	------	------	------	------	------	------	------	------	------	------	------	------

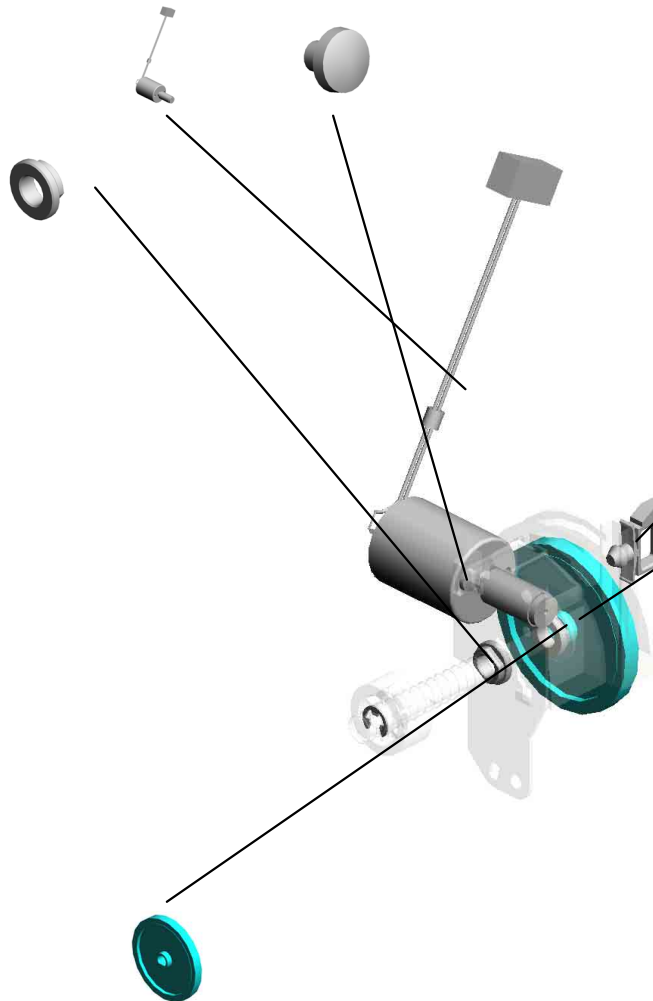
U007_S010
 DRIVE UNIT:TONER BOTTLE:ASS'Y

27.D1493210 1.03530030N
 DC MOTOR:TONE (x2)
 R BOTTLE:ASS'Y:5. SCREW:M3X3
 28W:BRUSH:(M30/
 M31/M32/M34)



15.D0E33310
 DRIVE UNIT:TONER
 R BOTTLE:ASS'Y

30.D1493343
 (x2)
 COLLAR:TONER S
 UPPLY



10.11050762
 CLAMP:LWS-0711A



5.07200040E
 (x2)
 RETAINING RING -
 M4



14.D0BQ3316
 GEAR:IDLER:TRAN
 SPORT SCREW



U001	U002	U003	U004	U005	U006	U007	U008	U009	U010	U011	U012	U013	U014	U015	U016	U017	U018
------	------	------	------	------	------	------	------	------	------	------	------	------	------	------	------	------	------

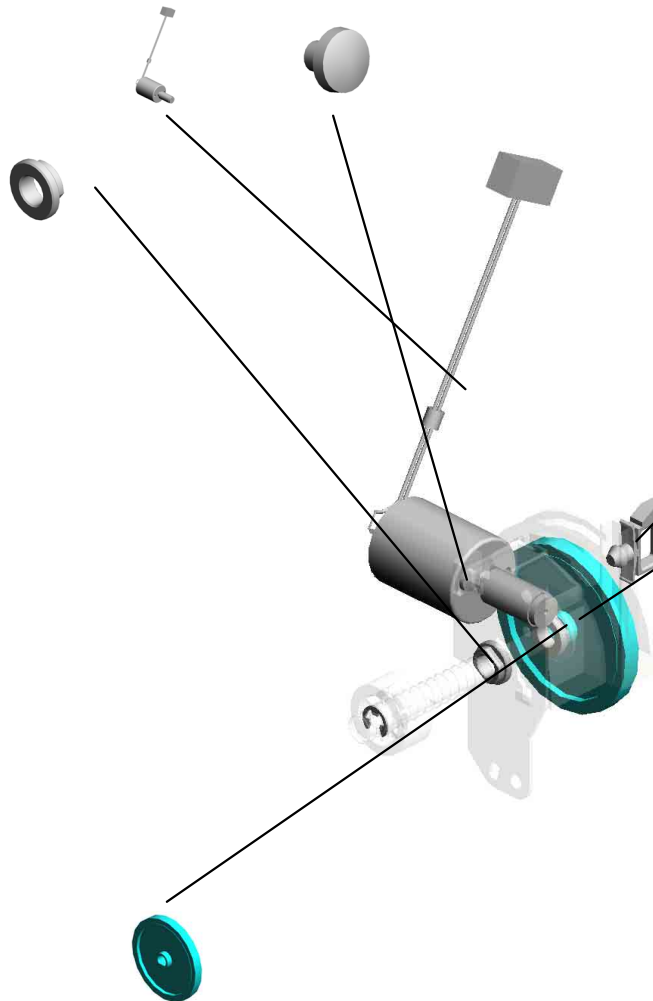
U007_S011
 DRIVE UNIT:TONER BOTTLE:ASS'Y

27.D1493210 1.03530030N
 DC MOTOR: TONE (x2)
 R BOTTLE: ASS'Y: 5. SCREW: M3X3
 28W: BRUSH: (M30/
 M31/M32/M34)



15.D0E33310
 DRIVE UNIT: TONE
 R BOTTLE: ASS'Y

30.D1493343
 (x2)
 COLLAR: TONER S
 UPPLY



10.11050762
 CLAMP: LWS-0711A



5.07200040E
 (x2)
 RETAINING RING -
 M4



14.D0BQ3316
 GEAR: IDLER: TRAN
 SPORT SCREW



U001	U002	U003	U004	U005	U006	U007	U008	U009	U010	U011	U012	U013	U014	U015	U016	U017	U018
------	------	------	------	------	------	------	------	------	------	------	------	------	------	------	------	------	------

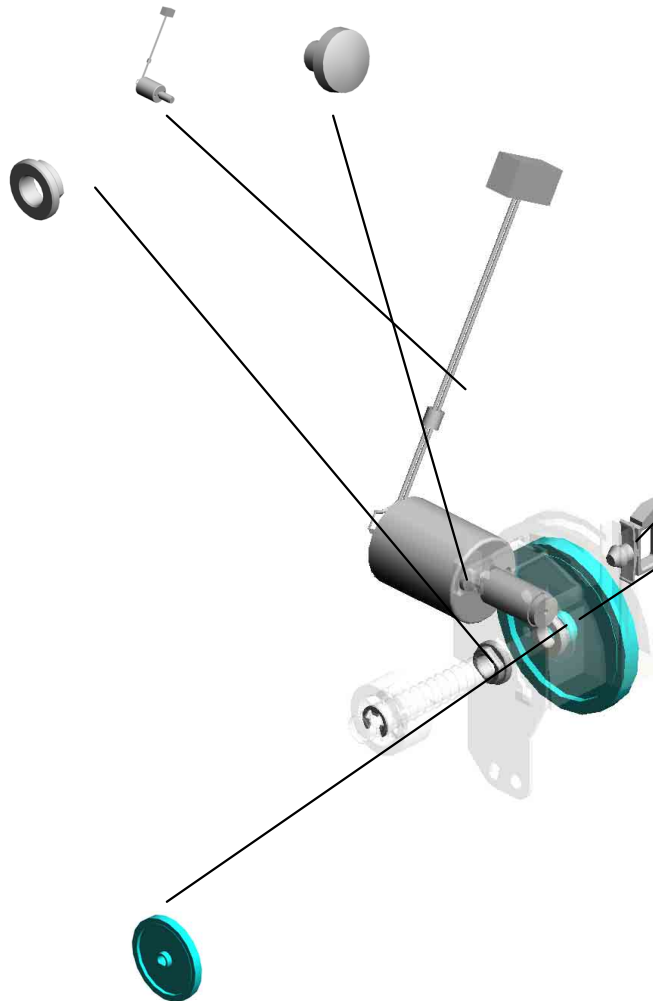
U007_S012
 DRIVE UNIT:TONER BOTTLE:ASS'Y

27.D1493210 1.03530030N
 DC MOTOR: TONE (x2)
 R BOTTLE: ASS'Y: 5. SCREW: M3X3
 28W: BRUSH: (M30/
 M31/M32/M34)



15.D0E33310
 DRIVE UNIT: TONE
 R BOTTLE: ASS'Y

30.D1493343
 (x2)
 COLLAR: TONER S
 UPPLY



10.11050762
 CLAMP: LWS-0711A



5.07200040E
 (x2)
 RETAINING RING -
 M4



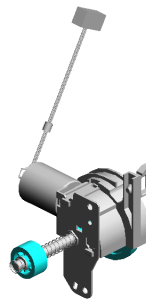
14.D0BQ3316
 GEAR: IDLER: TRAN
 SPORT SCREW



U001	U002	U003	U004	U005	U006	U007	U008	U009	U010	U011	U012	U013	U014	U015	U016	U017	U018
------	------	------	------	------	------	------	------	------	------	------	------	------	------	------	------	------	------

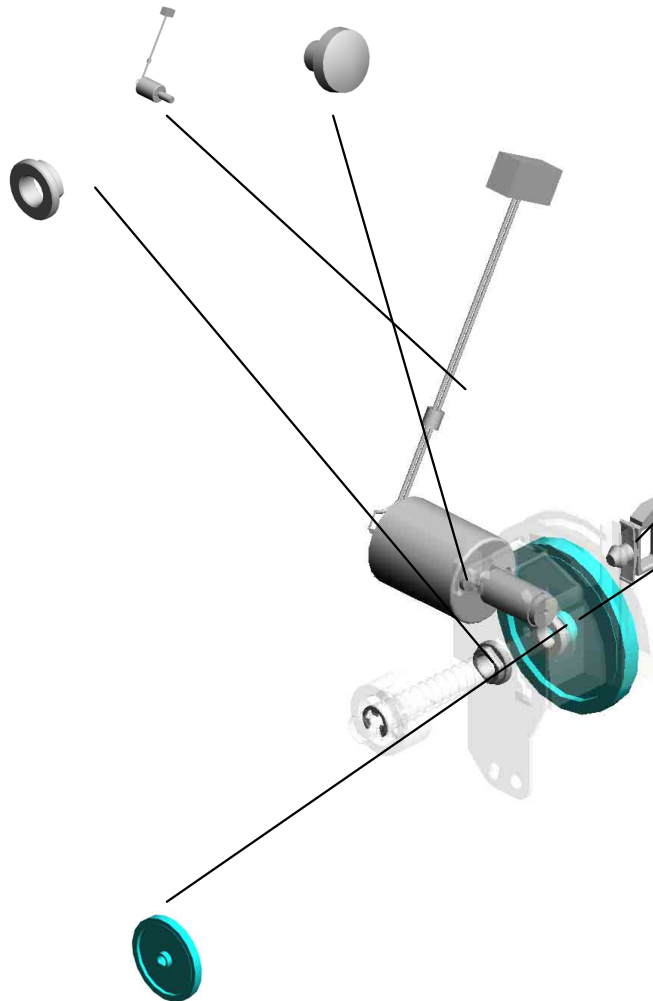
U007_S013
 DRIVE UNIT:TONER BOTTLE:ASS'Y

27.D1493210 1.03530030N
 DC MOTOR: TONE (x2)
 R BOTTLE: ASS'Y: 5. SCREW: M3X3
 28W: BRUSH: (M30/
 M31/M32/M34)



15.D0E33310
 DRIVE UNIT: TONE
 R BOTTLE: ASS'Y

30.D1493343
 (x2)
 COLLAR: TONER S
 UPPLY



10.11050762
 CLAMP: LWS-0711A



5.07200040E
 (x2)
 RETAINING RING -
 M4



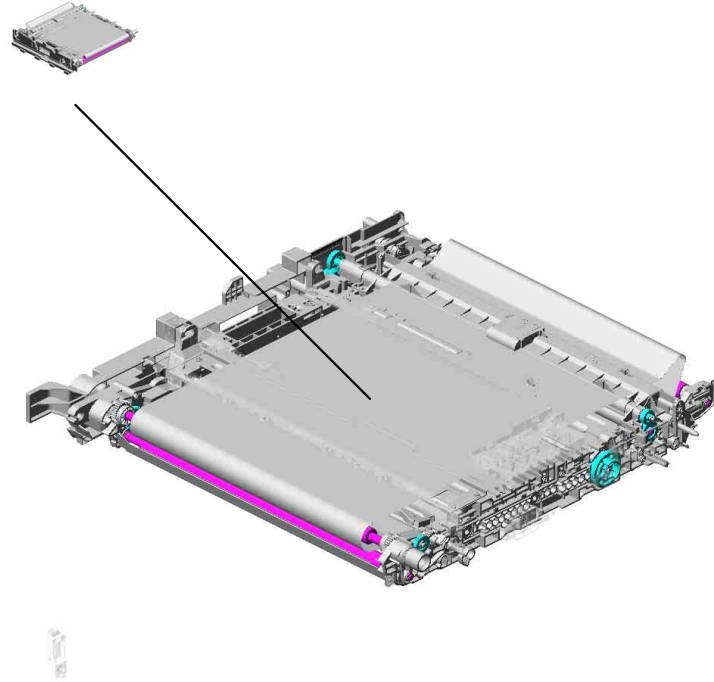
14.D0BQ3316
 GEAR: IDLER: TRAN
 SPORT SCREW



U001	U002	U003	U004	U005	U006	U007	U008	U009	U010	U011	U012	U013	U014	U015	U016	U017	U018
------	------	------	------	------	------	------	------	------	------	------	------	------	------	------	------	------	------

U008.ITB UNIT

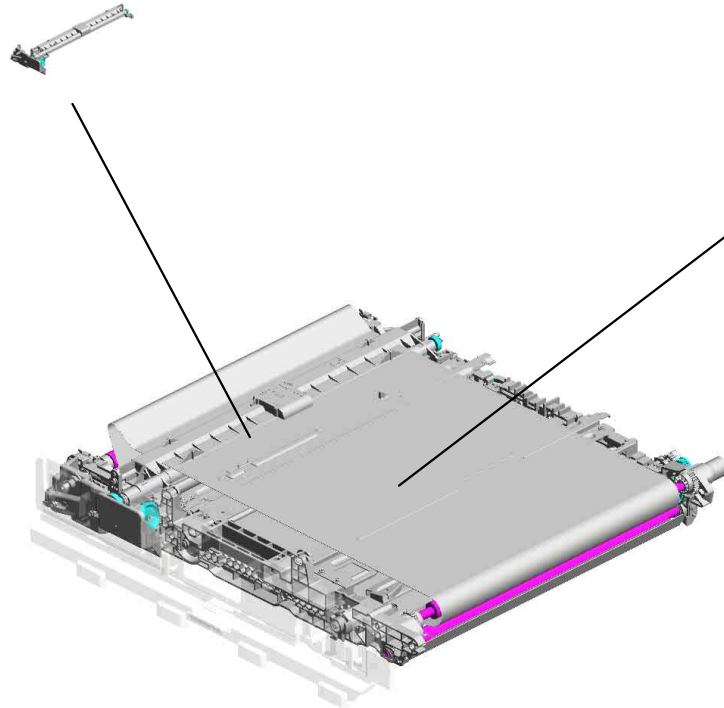
U008 S001
D0E36005
TRANSFER UNIT:INTERMEDI
ATE TRANSFER:IMC2010-60
10



U001	U002	U003	U004	U005	U006	U007	U008	U009	U010	U011	U012	U013	U014	U015	U016	U017	U018
------	------	------	------	------	------	------	-------------	------	------	------	------	------	------	------	------	------	------

U008_S001.TRANSFER UNIT:INTERMEDIATE TRANSFER:IMC2010-6010

U008 S001 S002
D0E36139
BELT CLEANING:INTERMEDI
ATE TRANSFER



U008 S001 S001
D0E36003
TRANSFER UNIT:INTERMEDI
ATE TRANSFER:ASS'Y

U001	U002	U003	U004	U005	U006	U007	U008	U009	U010	U011	U012	U013	U014	U015	U016	U017	U018
------	------	------	------	------	------	------	-------------	------	------	------	------	------	------	------	------	------	------

U008_S001_S002.BELT CLEANING:INTERMEDIATE TRANSFER

U008 S001 S002 S002
D0E36180
TONER OUTLET UNIT:BELT
CLEANING:ASS'Y

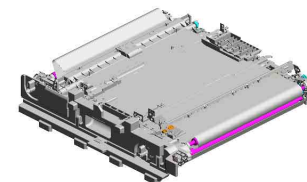


U008 S001 S002 S001
D0E36141
CLEANING UNIT:BELT CLEA
NING:ASS'Y



U001	U002	U003	U004	U005	U006	U007	U008	U009	U010	U011	U012	U013	U014	U015	U016	U017	U018
------	------	------	------	------	------	------	-------------	------	------	------	------	------	------	------	------	------	------

U008 ITB UNIT



- 23.D0BQ6338 BRACKET:TM SENSOR
- 10.11050758 (x5) CLAMP:LWSM-030 6A
- 48.D1496320 (x5) TERMINAL:BIAS:INTERMEDIATE TRANSFER:MAIN
- 49.D1496321 (x9) HOLDER:TERMINAL:INTERMEDIATE TRANSFER:MAIN
- 4.04583008N (x9) HEXAGON HEAD TAPPING SCREW:3 X8

- 53.GA003960 (x2) DECAL:POSITIONING DISPLAY:6.5X9



- 21.D0BQ6322 BRACKET:TM SENSOR:FRONT:PEEN



- 19.D0BQ6170 (x3) SPACER:DENSITY SENSOR:0.05MM



- 54.GW010009 (x3) DENSITY SENSOR:(S48)



- 55.GW140027 TEMPERATURE & HUMIDITY SENSOR:(S41)



- 22.D0BQ6324 BRACKET:REAR:TM SENSOR
- 15.AW020234 PHOT INTERRUPTOR:GP1A173LCS 5F:(S5/S6/S8/S13/S15/S23/S25/S32)
- 46.D1496310 BRACKET:ON-OFF:COLLAR
- 3.04543006Q (x18) TAPPING SCREW - M3X6

- 6.07200040E RETAINING RING - M4



- 20.D0BQ6311 GEAR:ON-OFF:COLLAR:OUTPUT:HS



- 45.D1496309 SHAFT:ON-OFF:COLLAR:MAIN



- 12.AA082101 (x2) BUSHING - 6X10X6



- 47.D1496312 JOINT:ON-OFF:COLLAR

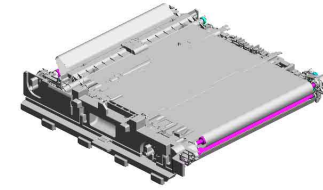


U001	U002	U003	U004	U005	U006	U007	U008	U009	U010	U011	U012	U013	U014	U015	U016	U017	U018
------	------	------	------	------	------	------	------	------	------	------	------	------	------	------	------	------	------

U008_S001

TRANSFER UNIT:INTERMEDIATE TRANSFER:IMC2010-6010

32.D0E36172 4.04583008N
BRACKET:BELT CL
EANING:FRONT (x10)
HEXAGON HEAD T
APPING SCREW:3
X8



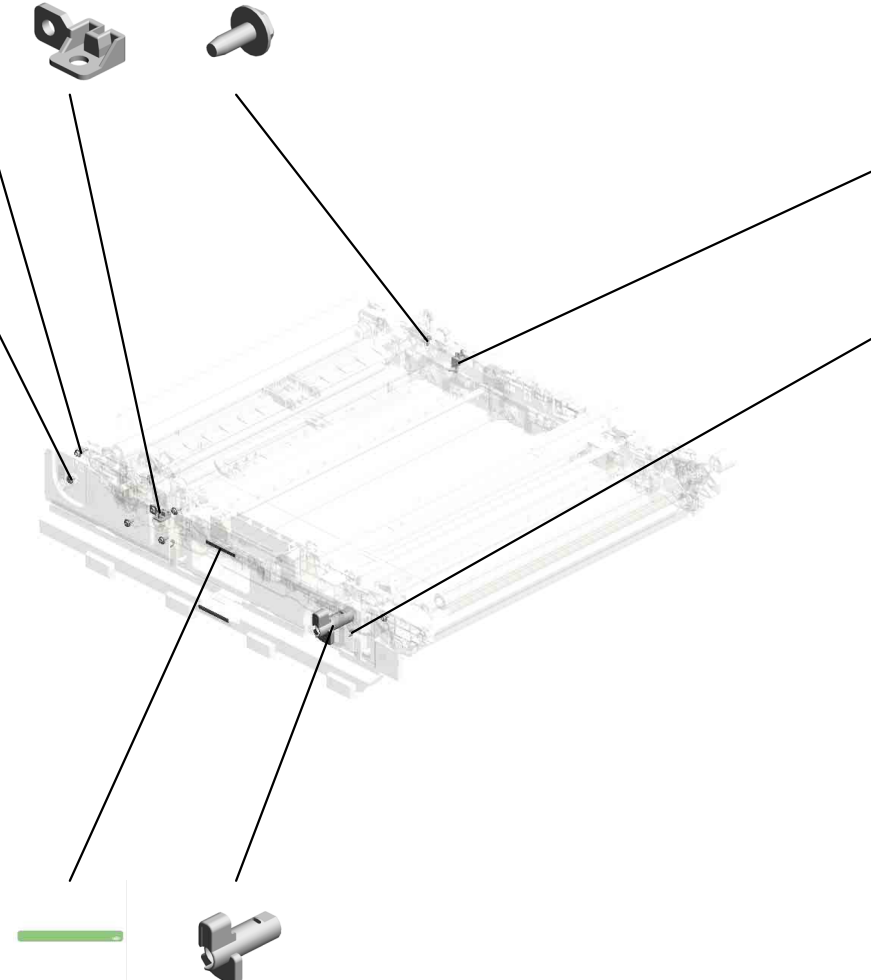
26.D0E36005
TRANSFER UNIT:I
NTERMEDIATE TR
ANSFER:IMC2010-
6010

34.D1175916
STEPPED SCREW:
M3X8:SECOND KIN
D

1.03603006N
(x2)
SCREW - M3X6

41.D1496173
BRACKET:BELT CL
EANING:REAR

7.08050103
(x2)
RETAINING RINGS
-E:SILENCER:DIA3



52.GA003934
(x2)
DECAL:OPERATE:
4X41

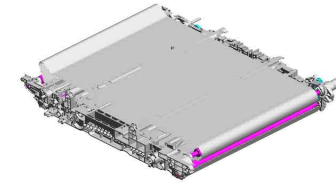
17.D0BQ6048
LEVER ON-OFF BK

U001	U002	U003	U004	U005	U006	U007	U008	U009	U010	U011	U012	U013	U014	U015	U016	U017	U018
------	------	------	------	------	------	------	-------------	------	------	------	------	------	------	------	------	------	------

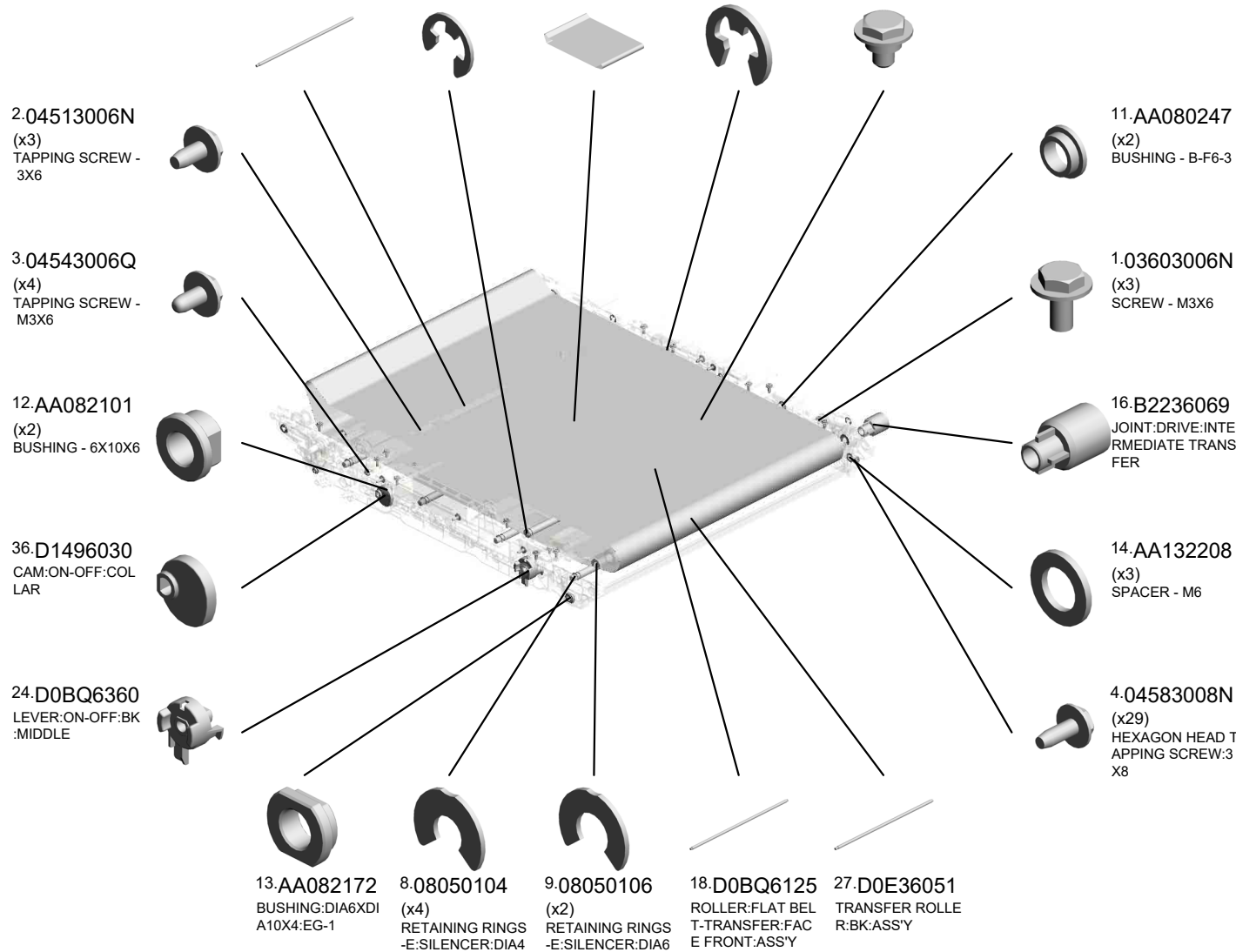
U008_S001_S001

TRANSFER UNIT:INTERMEDIATE TRANSFER:ASS'Y

- 28.D0E36061 (x3) TRANSFER ROLLER:FC:ASS'Y
- 6.07200040E (x12) RETAINING RING - M4
- 29.D0E36097 FLAT BELT-TRANSFER:INTERMEDIATE TRANSFER:SR
- 5.07200030E RETAINING RING - M3
- 35.D1441085 (x2) STEPPED SCREW: M3



- 25.D0E36003 TRANSFER UNIT:INTERMEDIATE TRANSFER:ASS'Y



U001	U002	U003	U004	U005	U006	U007	U008	U009	U010	U011	U012	U013	U014	U015	U016	U017	U018
------	------	------	------	------	------	------	------	------	------	------	------	------	------	------	------	------	------

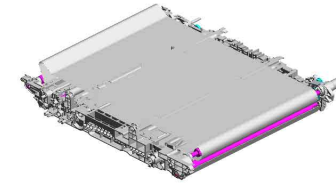
U008_S001_S001

TRANSFER UNIT:INTERMEDIATE TRANSFER:ASS'Y

50.D2416346
PLAIN SHAFT BEARING ROLLER BACK UP:FRONT:PRESS FIT

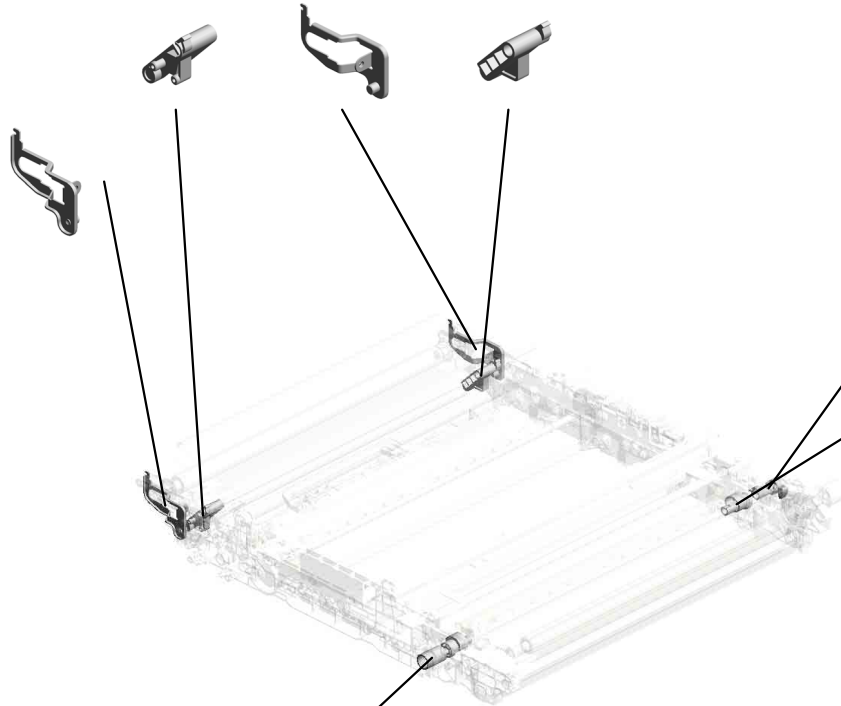
39.D1496136
VIBRATING PLATE: REAR:PEEN

51.D2416347
PLAIN SHAFT BEARING ROLLER BACK UP:REAR:PRESS FIT



25.D0E36003
TRANSFER UNIT:INTERMEDIATE TRANSFER:ASS'Y

38.D1496133
VIBRATING PLATE: FRONT:PEEN



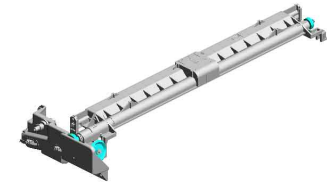
57.M0AJ6037
STOPPER:RIGHT:INTERMEDIATE TRANSFER:P2

56.M0AJ6036
(x2)
CAM:ON-OFF:BACK:2

37.D1496039
COMPRESSION SPRING:LEVER

U001	U002	U003	U004	U005	U006	U007	U008	U009	U010	U011	U012	U013	U014	U015	U016	U017	U018
------	------	------	------	------	------	------	-------------	------	------	------	------	------	------	------	------	------	------

U008_S001_S002
BELT CLEANING:INTERMEDIATE TRANSFER

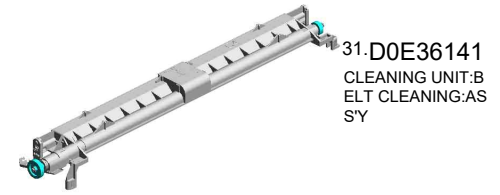


30.D0E36139
BELT CLEANING:IN
TERMEDIATE TRA
NSFER

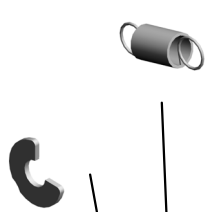
U001	U002	U003	U004	U005	U006	U007	U008	U009	U010	U011	U012	U013	U014	U015	U016	U017	U018
------	------	------	------	------	------	------	------	------	------	------	------	------	------	------	------	------	------

U008_S001_S002_S001
 CLEANING UNIT:BELT CLEANING:ASS'Y

40.D1496163 1.03603006N
 TENSION SPRING: (x3)
 SHUTTER:BELT CL SCREW - M3X6
 EANING



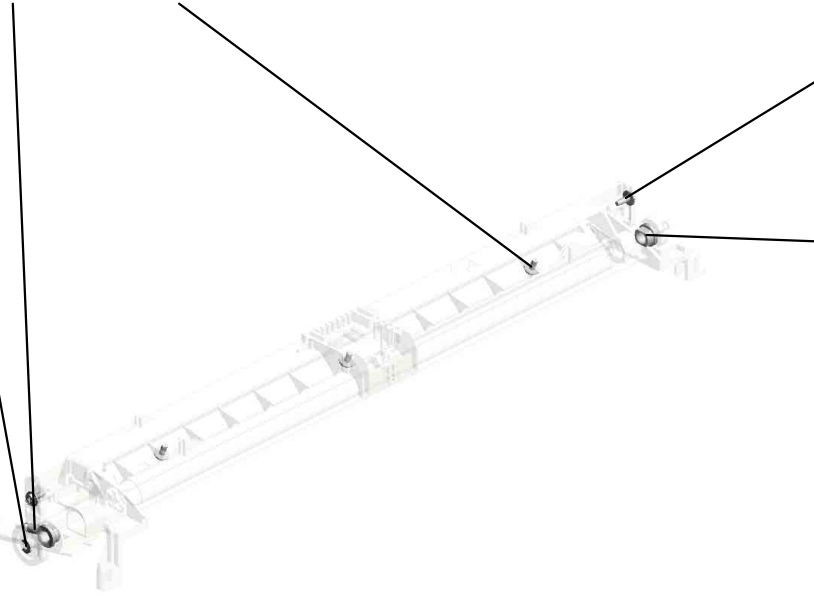
7.08050103
 RETAINING RINGS
 -E:SILENCER:DIA3



4.04583008N
 (x2)
 HEXAGON HEAD TAPPING SCREW:3X8



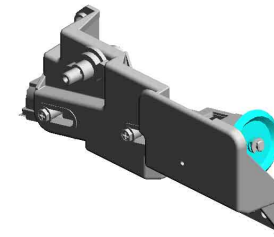
12.AA082101
 (x2)
 BUSHING - 6X10X6



U001	U002	U003	U004	U005	U006	U007	U008	U009	U010	U011	U012	U013	U014	U015	U016	U017	U018
------	------	------	------	------	------	------	------	------	------	------	------	------	------	------	------	------	------

U008_S001_S002_S002
 TONER OUTLET UNIT:BELT CLEANING:ASS'Y

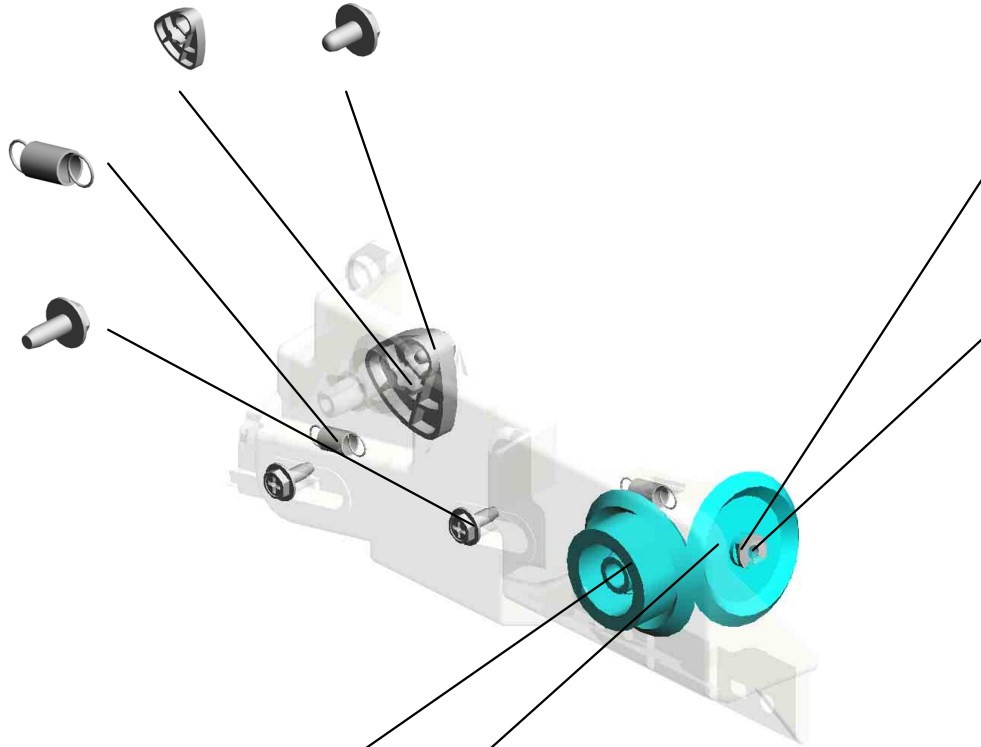
44.D1496195 3.04543006Q
 CAM:DISCHARGE TAPPING SCREW -
 USED TONER M3X6



33.D0E36180
 TONER OUTLET U
 NIT:BELT CLEANIN
 G:ASS'Y

40.D1496163
 (x2)
 TENSION SPRING:
 SHUTTER:BELT CL
 EANING

4.04583008N
 (x2)
 HEXAGON HEAD T
 APPING SCREW:3
 X8



43.D1496190
 GEAR:DISCHARGE
 USED TONER

7.08050103
 RETAINING RINGS
 -E:SILENCER:DI3

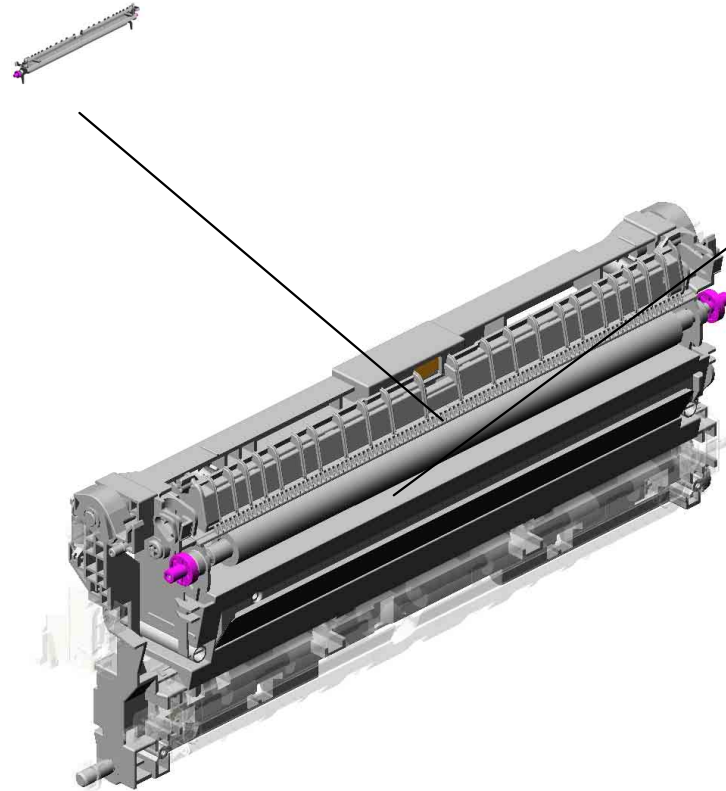
42.D1496179
 GEAR:IDLER:DISC
 HARGE USED TON
 ER

12.AA082101
 BUSHING - 6X10X6

U001	U002	U003	U004	U005	U006	U007	U008	U009	U010	U011	U012	U013	U014	U015	U016	U017	U018
------	------	------	------	------	------	------	------	------	------	------	------	------	------	------	------	------	------

U009.TRANSFER/SEPARATION

U009 S001
D0BQ6212
TRANSFER ROLLER:SECON
D:ASSY



U009 S002
D0E36215
GUIDE PLATE:TRANSFER:S
ECOND:ASSY

U001	U002	U003	U004	U005	U006	U007	U008	U009	U010	U011	U012	U013	U014	U015	U016	U017	U018
------	------	------	------	------	------	------	------	------	------	------	------	------	------	------	------	------	------

U009 TRANSFER/SEPARATION

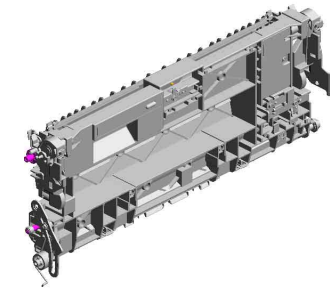
39.D1496295 COVER:HARNES:
TRANSFER/SEPAR
ATION UNIT

38.D1496291 GUIDE:SET:TRANS
FER/SEPARATION
UNIT:REAR

9.AA063942 COMPRESSION SP
RING:REGISTRATI
ON:DRIVE

13.AB011571 GEAR:Z19:DRIVE:R
EGISTRATION

17.D0E32990 PLAIN SHAFT BEA
RING:DRIVE:REGI
STRATION ROLLE
R



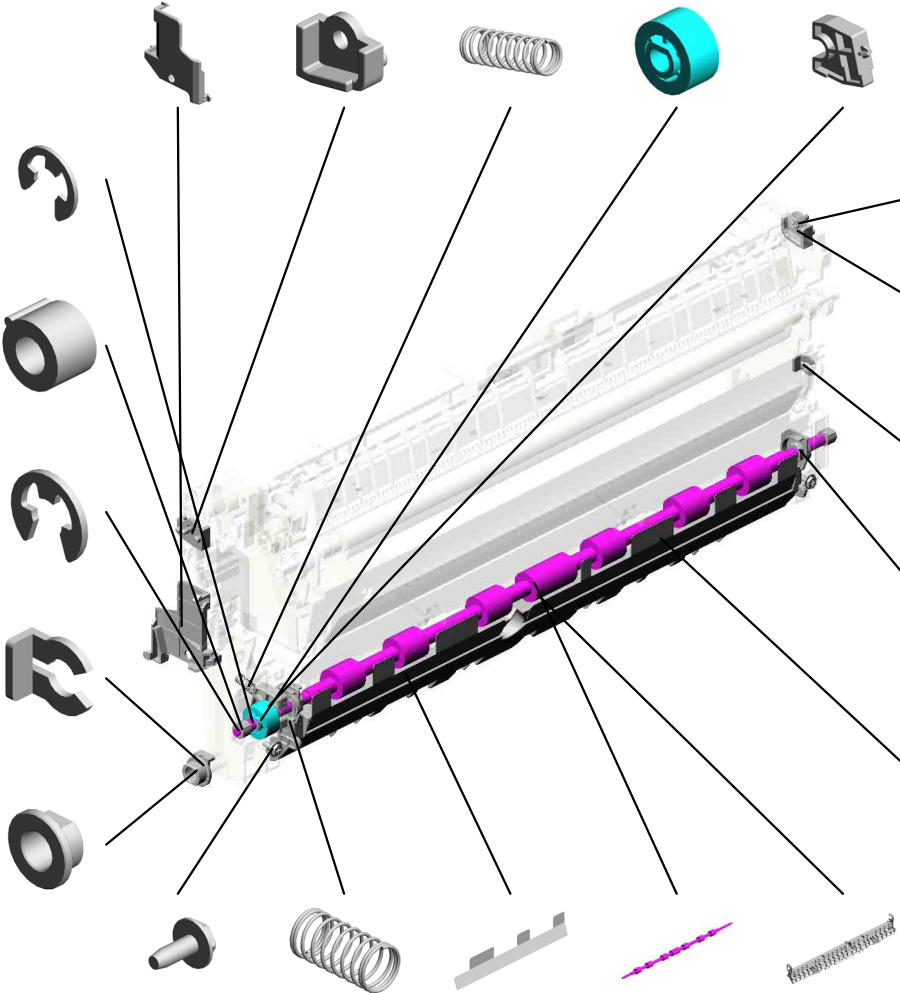
5.0720040E
(x3)
RETAINING RING -
M4

20.D1492584
(x2)
COLLAR:SHAFT:R
EGISTRATION ROL
LER

4.07200030E
(x2)
RETAINING RING -
M3

7.52152621
SNAP RING - M6

12.AA082144
BUSHING - 8X12X7



2.04543008Q
(x2)
TAPPING SCREW:
3X8

37.D1496290
GUIDE:SET:TRANS
FER/SEPARATION
UNIT:FRONT

8.54472681
SNAP RING

11.AA080346
(x2)
BUSHING:FLANGE
TYPE:DIA6

22.D1492586
GUIDE:REGISTRAT
ION:FRONT RIGHT

3.04583008N
(x2)
HEXAGON HEAD T
APPING SCREW:3
X8

10.AA063943
(x2)
COMPRESSION SP
RING:GUIDE PLAT
E:REGISTRATION:
4N

21.D1492585
GUIDE:REGISTRAT
ION:REAR RIGHT

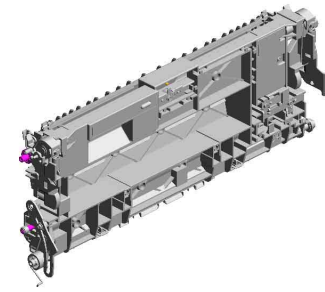
41.D2412583
REGISTRATION R
OLLER:DRIVE

16.D0E32582
GUIDE PLATE:REG
ISTRATION:FRONT
RIGHT

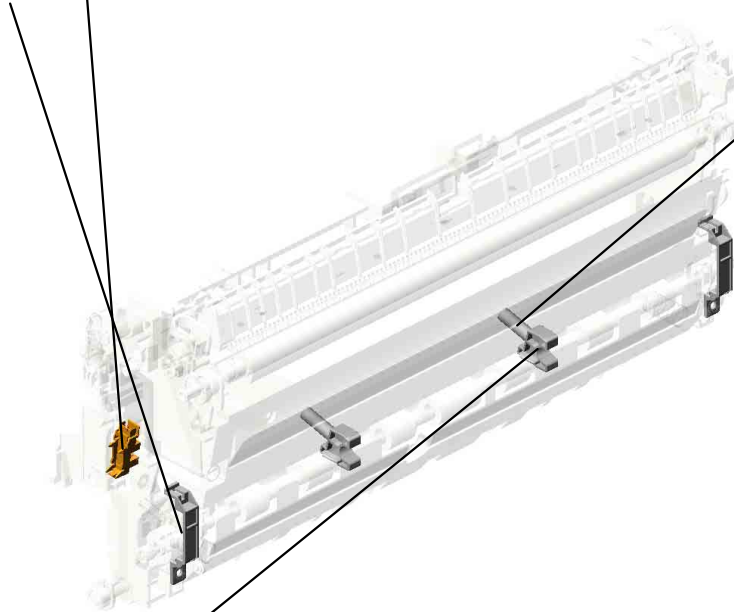
U001	U002	U003	U004	U005	U006	U007	U008	U009	U010	U011	U012	U013	U014	U015	U016	U017	U018
------	------	------	------	------	------	------	------	------	------	------	------	------	------	------	------	------	------

U009 TRANSFER/SEPARATION

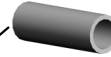
53.GW020026
PHOTOINTERRUP
TOR:LG2A24RL1G:
(S2/S34/S42)



43.D2412993
(x2)
STOPPER:REGIST
RATION ROLLER



44.D2412994
(x2)
COMPRESSION SP
RING:REGISTRATI
ON:INNER:DRIVE

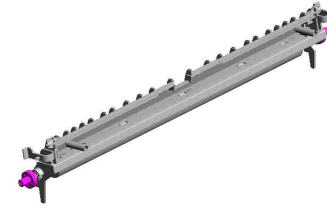


42.D2412991
(x2)
PLAIN SHAFT BEA
RING:INNER:DRIV
E:REGISTRATION
ROLLER

U001	U002	U003	U004	U005	U006	U007	U008	U009	U010	U011	U012	U013	U014	U015	U016	U017	U018
------	------	------	------	------	------	------	------	------	------	------	------	------	------	------	------	------	------

U009_S001
TRANSFER ROLLER:SECOND:ASS'Y

5-07200040E
RETAINING RING -
M4



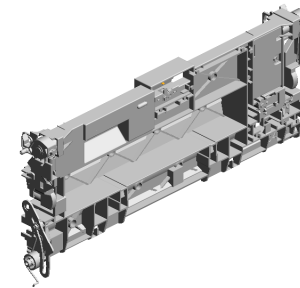
15.D0BQ6212
TRANSFER ROLLE
R:SECOND:ASSY



U001	U002	U003	U004	U005	U006	U007	U008	U009	U010	U011	U012	U013	U014	U015	U016	U017	U018
------	------	------	------	------	------	------	------	------	------	------	------	------	------	------	------	------	------

GUIDE PLATE:TRANSFER:SECOND:ASS'Y

- 35.D1496254 DECAL:GRIP:B:LOWER
- 40.D2026255 DECAL:GRIP:B
- 34.D1496248 CAP:LED
- 23.D1494662 DIFFUSION PLATE:LED
- 14.AW010147 PHOTO REFLECTI ON SENSOR:(S1/S27)



18.D0E36215
GUIDE PLATE:TRANSFER:SECOND:ASS'Y

24.D1496226
LEVER:TRANSFER /SEPARATION UNIT:FRONT



6.07200060E
(x2)
RETAINING RING - M6



26.D1496228
TORSION SPRING: LEVER:SET:FRONT



27.D1496229
(x2)
TENSION SPRING: LEVER:SET



25.D1496227
LEVER:SET:FRONT



28.D1496231
LEVER:TRANSFER /SEPARATION UNIT:REAR



30.D1496233
TORSION SPRING: LEVER:SET:REAR



29.D1496232
LEVER:SET:REAR



3.04583008N
(x6)
HEXAGON HEAD TAPPING SCREW:3 X8



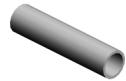
19.D0E36244
GROUND PLATE:SEPARATION



1.04513006N
TAPPING SCREW - 3X6



31.D1496242
(x2)
COMPRESSION SPRING:PRESSURE:TRANSFER ROLLER



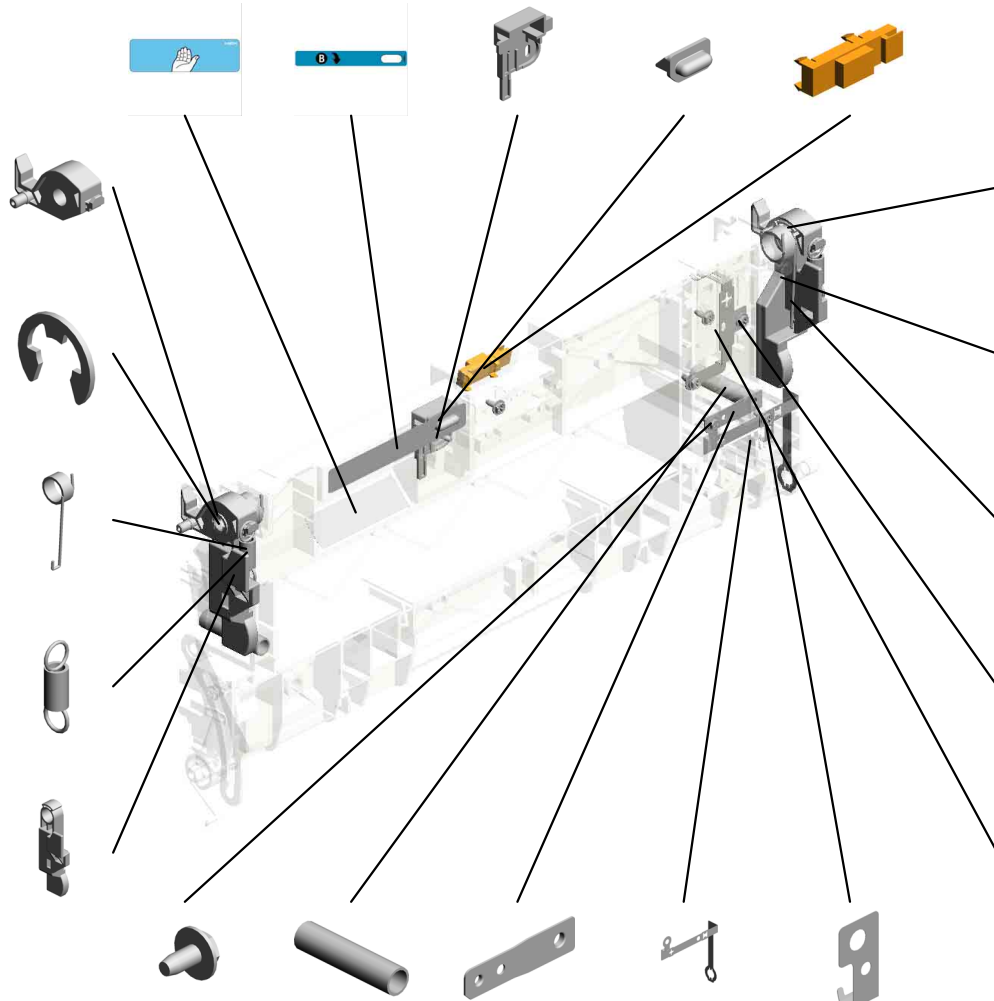
32.D1496243
RECEIVE PLATE:COMPRESSION SPRING:TRANSFER ROLLER



33.D1496245
GROUND PLATE:TRANSFER/SEPARATION UNIT



36.D1496257
GROUND PLATE:REGISTRATION ROLLER

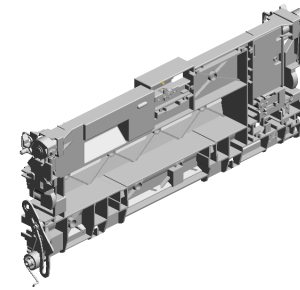


GUIDE PLATE:TRANSFER:SECOND:ASS'Y

45.D2416240 LEVER:PRESSURE
:TRANSFER ROLL
ER:FRONT:DIA19.5

51.D2416290 LED:RED

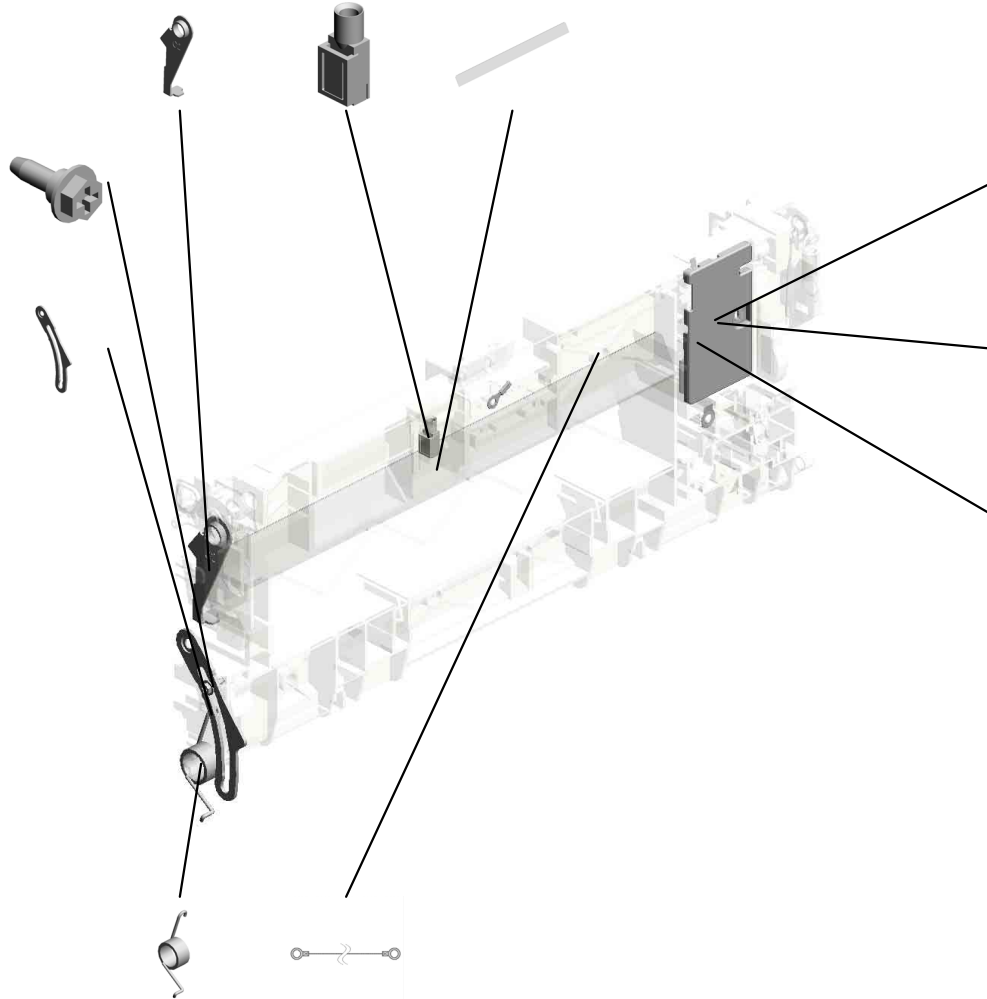
50.D2416275 SHEET:ENTRANCE
:TRANSFER



18.D0E36215
GUIDE PLATE:TRA
NSFER:SECOND:A
SS'Y

52.GA143003
SCREW:MM5:2.5M

55.M0BW6246
LINK:TRANSFER/S
EPARATION UNIT:
MO



46.D2416241
LEVER:PRESSURE
:TRANSFER ROLL
ER:REAR:DIA19.5

49.D2416258
COVER:TRANSFE
R/SEPARATION UN
IT

48.D2416256
GROUND PLATE:G
UIDE:TRANSPORT

54.M0BW6228 TORSION SPRING:
SEPARATION/TRA
NSPORT:28N

47.D2416250 GROUND WIRE:BR
ACKET:ENTRANCE
SENSOR

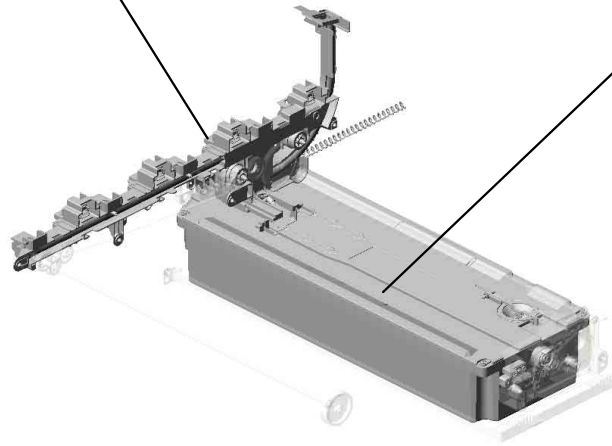
U001	U002	U003	U004	U005	U006	U007	U008	U009	U010	U011	U012	U013	U014	U015	U016	U017	U018
------	------	------	------	------	------	------	------	------	------	------	------	------	------	------	------	------	------

U010.USED TONER

U010 S002
D0BQ6511
PIPE:ASS'Y



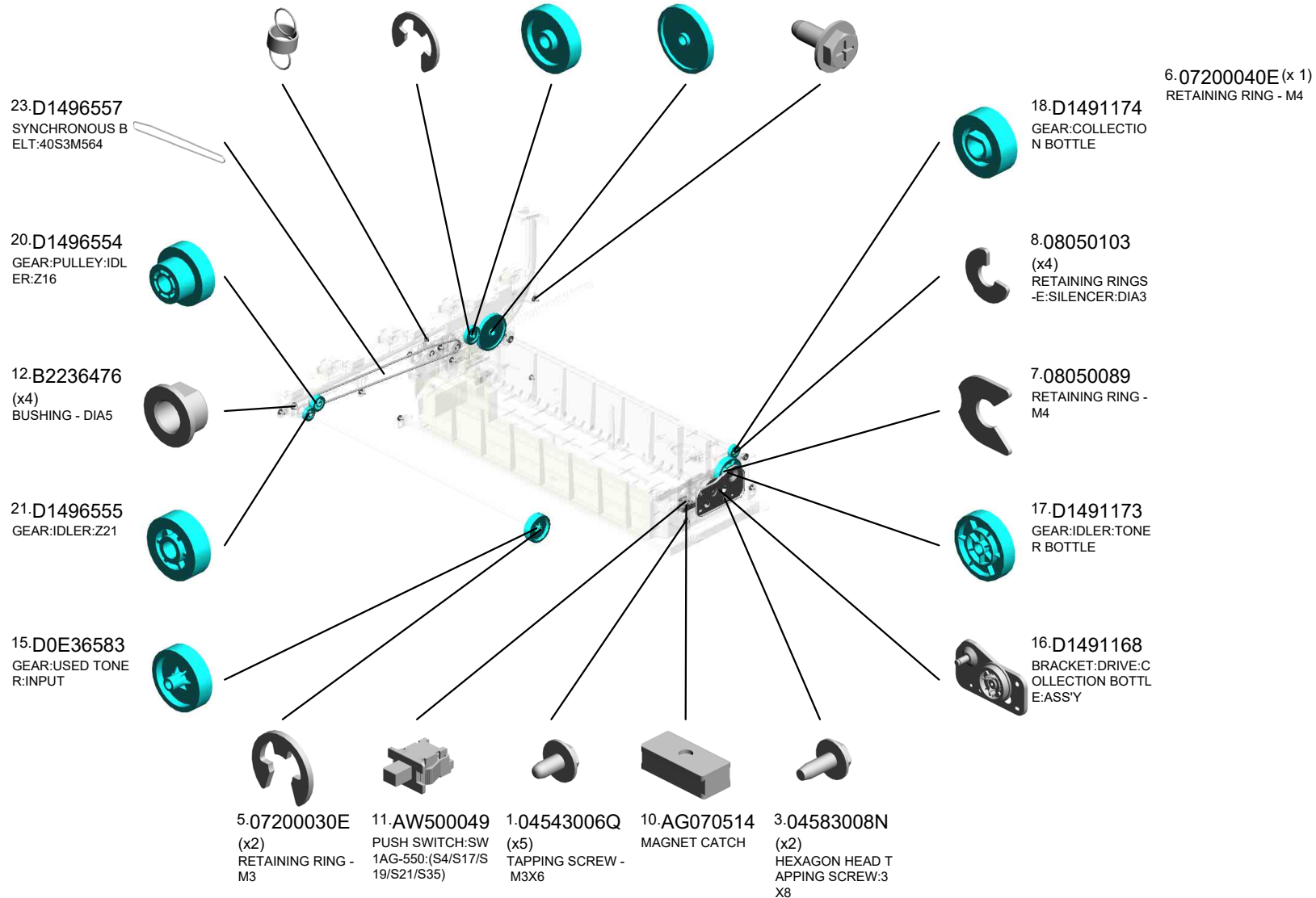
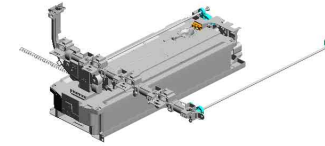
U010 S001
D0BQ6400
COLLECTION BOTTLE:ASS'Y



U001	U002	U003	U004	U005	U006	U007	U008	U009	U010	U011	U012	U013	U014	U015	U016	U017	U018
------	------	------	------	------	------	------	------	------	------	------	------	------	------	------	------	------	------

U010 USED TONER

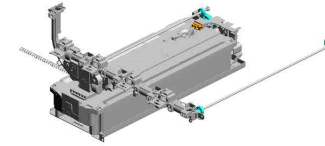
22.D1496556 TENSION SPRING:
BELT TENSIONER
6.07200040E (x7)
RETAINING RING -
M4
19.D1496552 GEAR:IDLER:Z30
24.D1496558 GEAR:IDLER:Z61
2.04543008Q (x4)
TAPPING SCREW:
3X8



U001	U002	U003	U004	U005	U006	U007	U008	U009	U010	U011	U012	U013	U014	U015	U016	U017	U018
------	------	------	------	------	------	------	------	------	-------------	------	------	------	------	------	------	------	------

U010 USED TONER

25.D1496561 PULLEY:USED TONER
 27.D1496571 BRACKET:PULLEY:IDLER:USED TONER
 28.D1496574 GEAR:PULLEY:IDLER:Z18
 29.D1496575 FLANGE:IDLER:USED TONER



26.D1496562 BRACKET:TIGHTENER:USED TONER



31.D1496582 GEAR:USED TONER:RIGHT

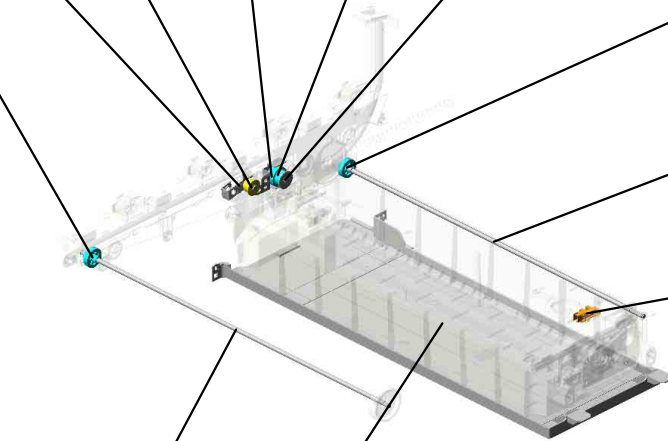


33.D1496587 GEAR:USED TONER:LEFT

32.D1496586 SHAFT:DRIVE:USED TONER:LEFT



36.GW020026 PHOTOINTERRUPTOR:LG2A24RL1G:(S2/S34/S42)



30.D1496581 SHAFT:DRIVE:USED TONER:RIGHT

34.D1496592 RAIL:COLLECTION BOTTLE



U001	U002	U003	U004	U005	U006	U007	U008	U009	U010	U011	U012	U013	U014	U015	U016	U017	U018
------	------	------	------	------	------	------	------	------	------	------	------	------	------	------	------	------	------

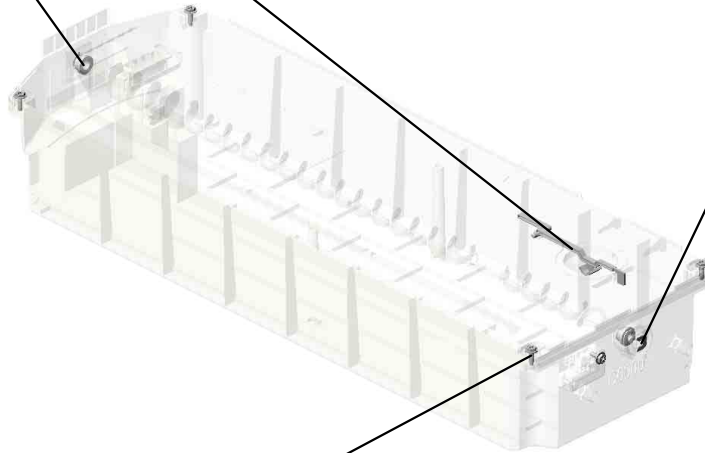
U010_S001
COLLECTION BOTTLE:ASS'Y

35.D2426432
FEELER:COLLECTI
ON BOTTLE



13.D0BQ6400
COLLECTION BOT
TLE:ASS'Y

9.AA080346
(x2)
BUSHING:FLANGE
TYPE:DIA6



7.08050089
(x3)
RETAINING RING -
M4



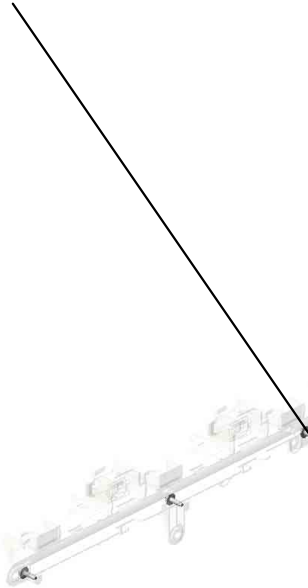
4.04583010N
(x5)
HEXAGON HEAD T
APPING SCREW:3
X10



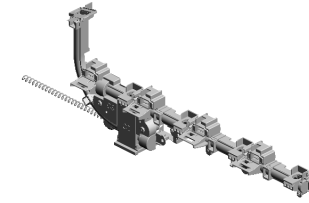
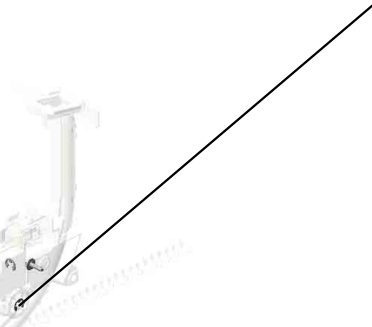
U001	U002	U003	U004	U005	U006	U007	U008	U009	U010	U011	U012	U013	U014	U015	U016	U017	U018
------	------	------	------	------	------	------	------	------	------	------	------	------	------	------	------	------	------

U010_S002
PIPE:ASS'Y

4.04583010N
(x4)
HEXAGON HEAD TAPPING SCREW:3
X10



6.07200040E
(x4)
RETAINING RING -
M4

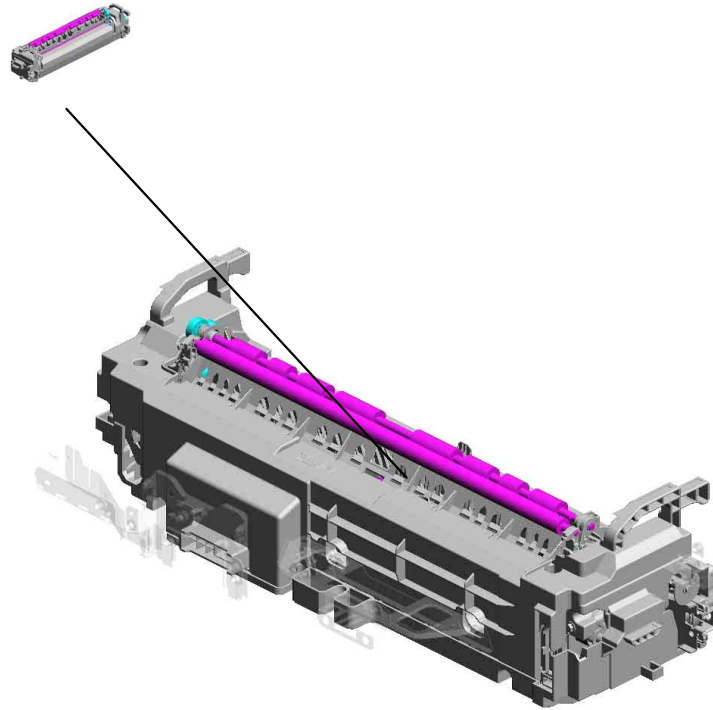


14.D0BQ6511
PIPE:ASS'Y

U001	U002	U003	U004	U005	U006	U007	U008	U009	U010	U011	U012	U013	U014	U015	U016	U017	U018
------	------	------	------	------	------	------	------	------	------	------	------	------	------	------	------	------	------

U011.FUSING

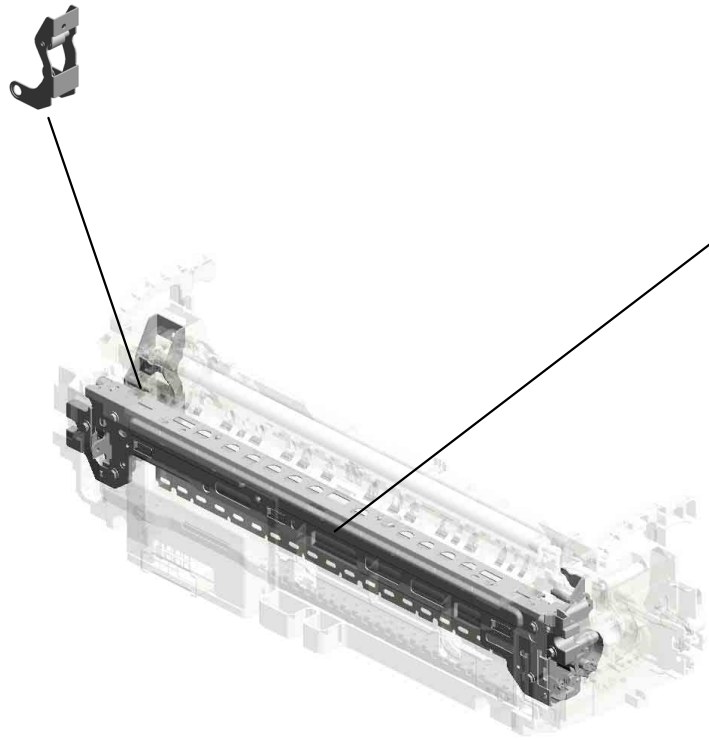
U011 S001
D0DZ4022
(EU/AA/IND/CHN/KOR):FUSIN
G UNIT:220-240V:IMC2010-25
10



U001	U002	U003	U004	U005	U006	U007	U008	U009	U010	U011	U012	U013	U014	U015	U016	U017	U018
------	------	------	------	------	------	------	------	------	------	------	------	------	------	------	------	------	------

U011_S001.(EU/AA/IND/CHN/KOR):FUSING UNIT:220-240V:IMC2010-2510

U011 S001 S001
D2414160
LEVER:PRESSURE:REAR:PE
EN

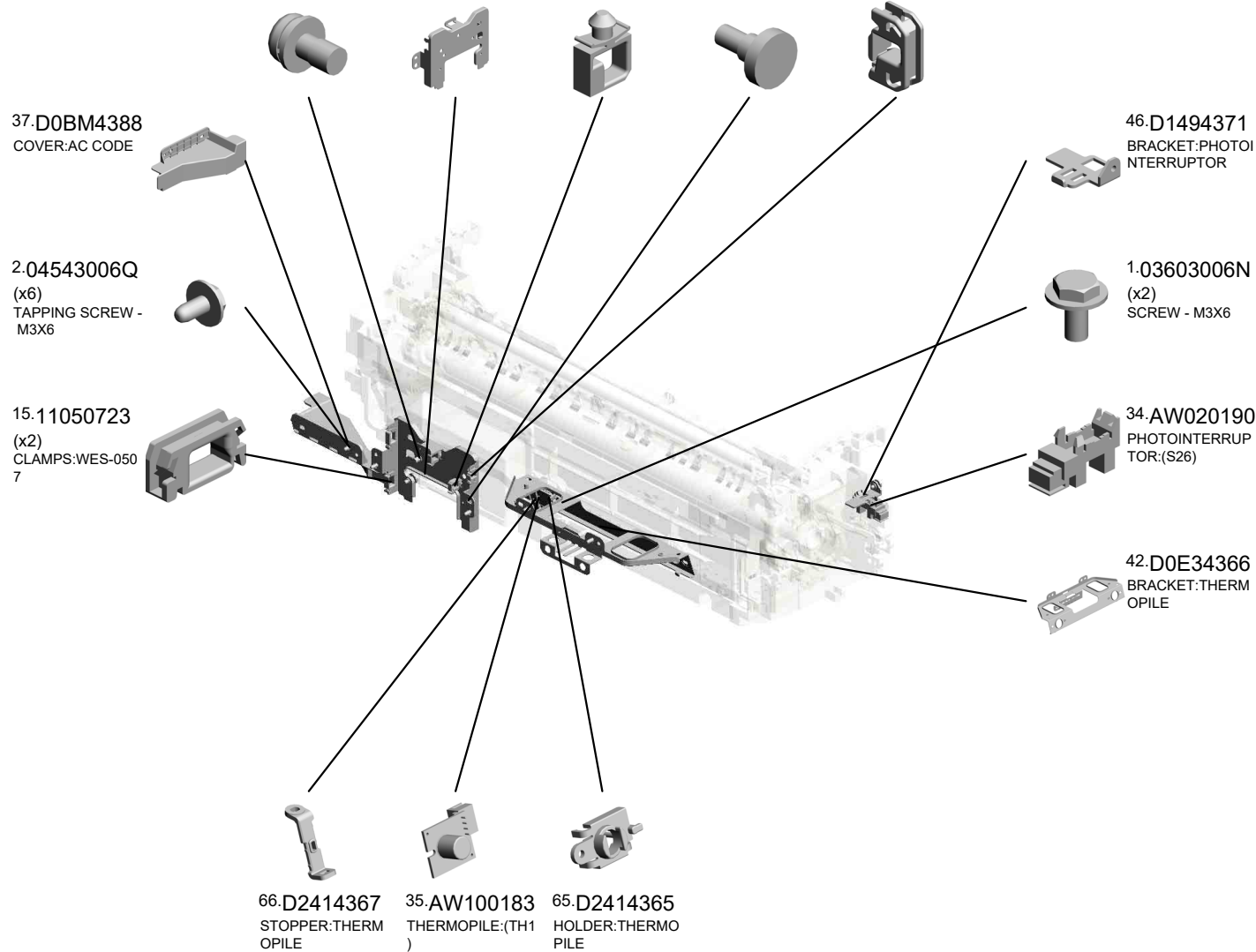
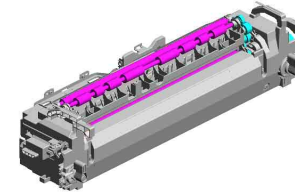


U011 S001 S002
D0DZ4052
(EU/AA/IND/CHN/KOR):SLEE
VE:FUSING:220-240V:IMC201
0-2510

U001	U002	U003	U004	U005	U006	U007	U008	U009	U010	U011	U012	U013	U014	U015	U016	U017	U018
------	------	------	------	------	------	------	------	------	------	------	------	------	------	------	------	------	------

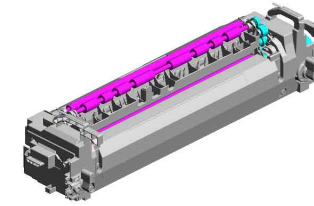
U011 FUSING

12.09574008N 64.D2414354 16.11050759 23.AA143219 13.11050692
 SCREW:SMALL RO BRACKET:DRAWE (x2) CLAMP:LWSM-060 23.AA143219 13.11050692
 UND/SPRING:M4X8 R:MAIN CLAMP:LWSM-060 STEPPED SCREW CLAMP:LES-0503



U001	U002	U003	U004	U005	U006	U007	U008	U009	U010	U011	U012	U013	U014	U015	U016	U017	U018
------	------	------	------	------	------	------	------	------	------	------	------	------	------	------	------	------	------

U011_S001
 (EU/AA/IND/CHN/KOR):FUSING UNIT:220-240V:IMC2010-2510



78.D0DZ4022
 (EU/AA/IND/CHN/KOR):FUSING UNIT:
 220-240V:IMC2010-
 2510

19.AA063732 (x2) COMPRESSION SPRING:PRESSURE ROLLER
 22.AA100016 (x2) RETAINING RINGS-C:DIA3
 5.07200030E (x2) RETAINING RING - M3
 21.AA080388 PLAIN SHAFT BEARING:EXIT ROLLER:FUSING EXIT:RIGHT:REAR
 25.AB012107 GEAR:IDLER:EXIT:FUSING EXIT:1

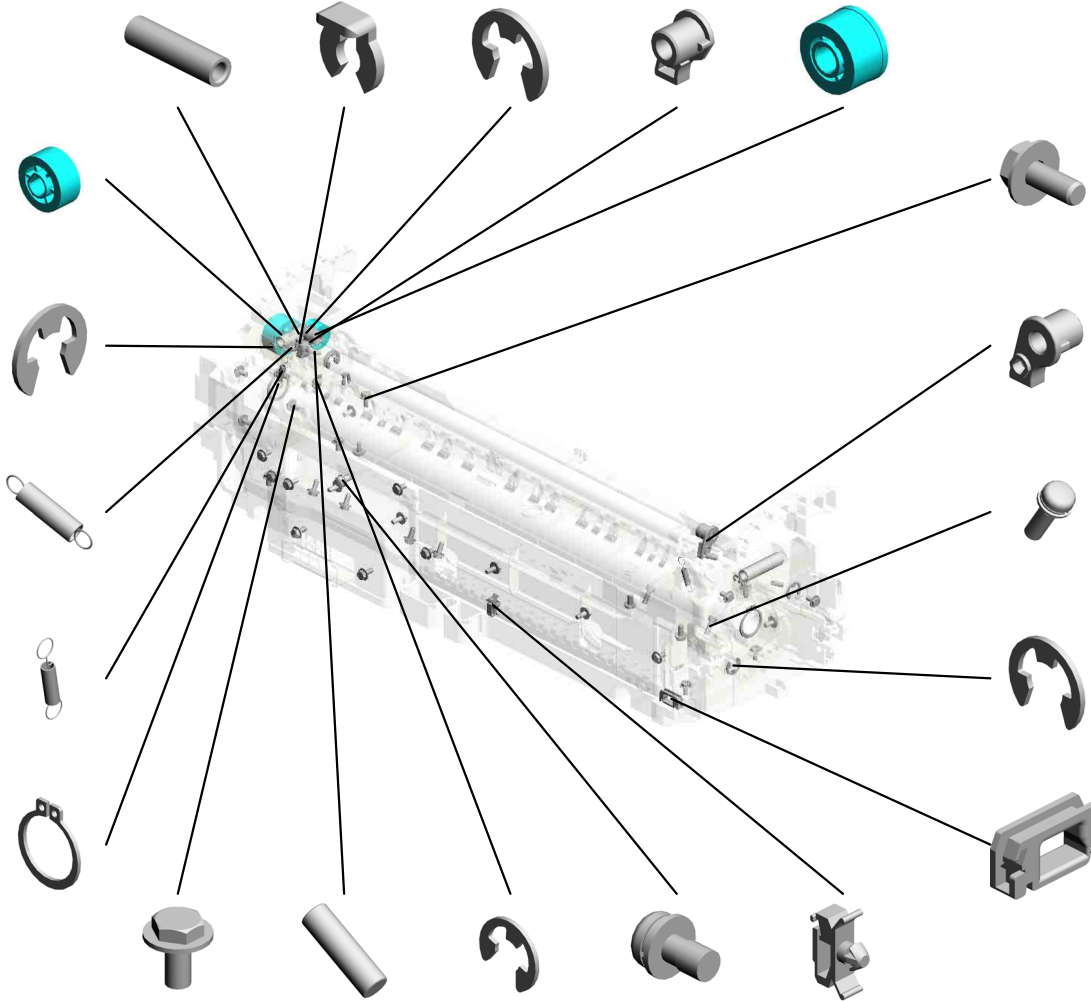
24.AB012099 GEAR:ON-OFF:PRESSURE ROLLER

4.07200025E (x2) RETAINING RING - M2.5

18.AA061211 (x2) TENSION SPRING: HOLDER:FUSING EXIT

17.AA061208 (x2) TENSION SPRING: STRIPPER PLATE

8.07250170E (x2) RETAINING RING C - M17



9.08046123 (x16) HEXAGONAL BOLT:WASHER:M3X8

20.AA080387 PLAIN SHAFT BEARING:EXIT ROLLER:FUSING EXIT:RIGHT:FRONT

11.09573010N (x2) SCREW:SMALL ROUND:SPRING:M3X10

7.07200060E (x5) RETAINING RING - M6

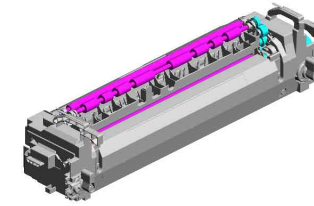
15.11050723 CLAMPS:WES-0507

1.03603006N (x17) SCREW - M3X6
 3.06330100G (x2) PARALLEL PIN - 3X10
 6.07200040E (x2) RETAINING RING - M4
 12.09574008N SCREW:SMALL ROUND:SPRING:M4X8
 14.11050713 CLAMP:LWSM-0306H GRAY

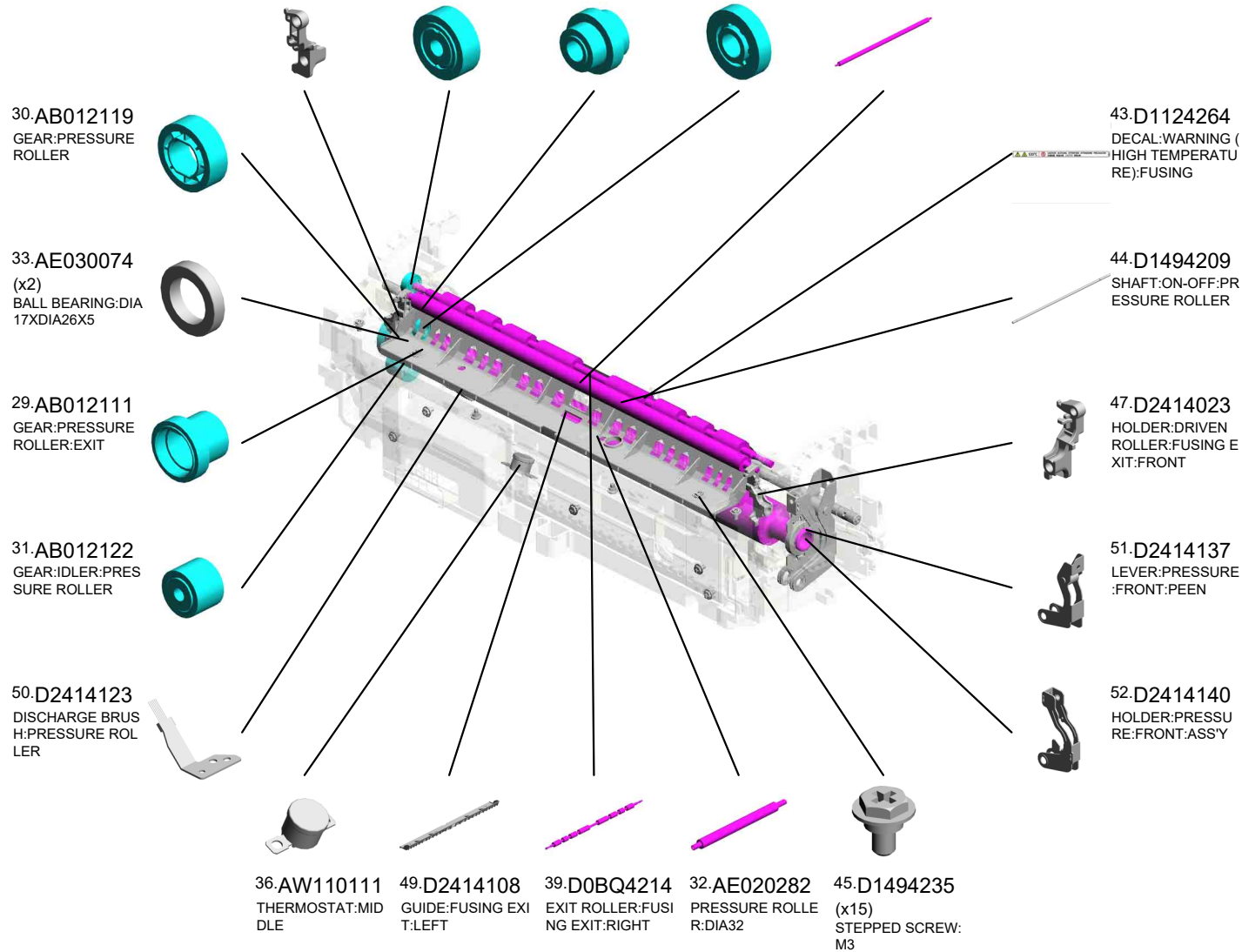
U001	U002	U003	U004	U005	U006	U007	U008	U009	U010	U011	U012	U013	U014	U015	U016	U017	U018
------	------	------	------	------	------	------	------	------	------	------	------	------	------	------	------	------	------

U011_S001
 (EU/AA/IND/CHN/KOR):FUSING UNIT:220-240V:IMC2010-2510

- 48.D2414024 HOLDER:DRIVEN ROLLER:FUSING EXIT:REAR
- 28.AB012110 GEAR:EXIT ROLLER:FUSING EXIT:RIGHT
- 26.AB012108 GEAR:IDLER:EXIT:FUSING EXIT:2
- 27.AB012109 GEAR:IDLER:EXIT:FUSING EXIT:3
- 38.D0BQ4102 DRIVEN ROLLER:FUSING EXIT:ASS'Y



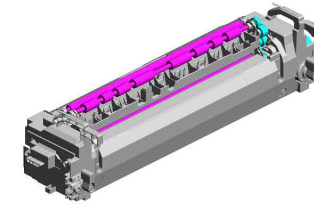
78.D0DZ4022
 (EU/AA/IND/CHN/KOR):FUSING UNIT:220-240V:IMC2010-2510



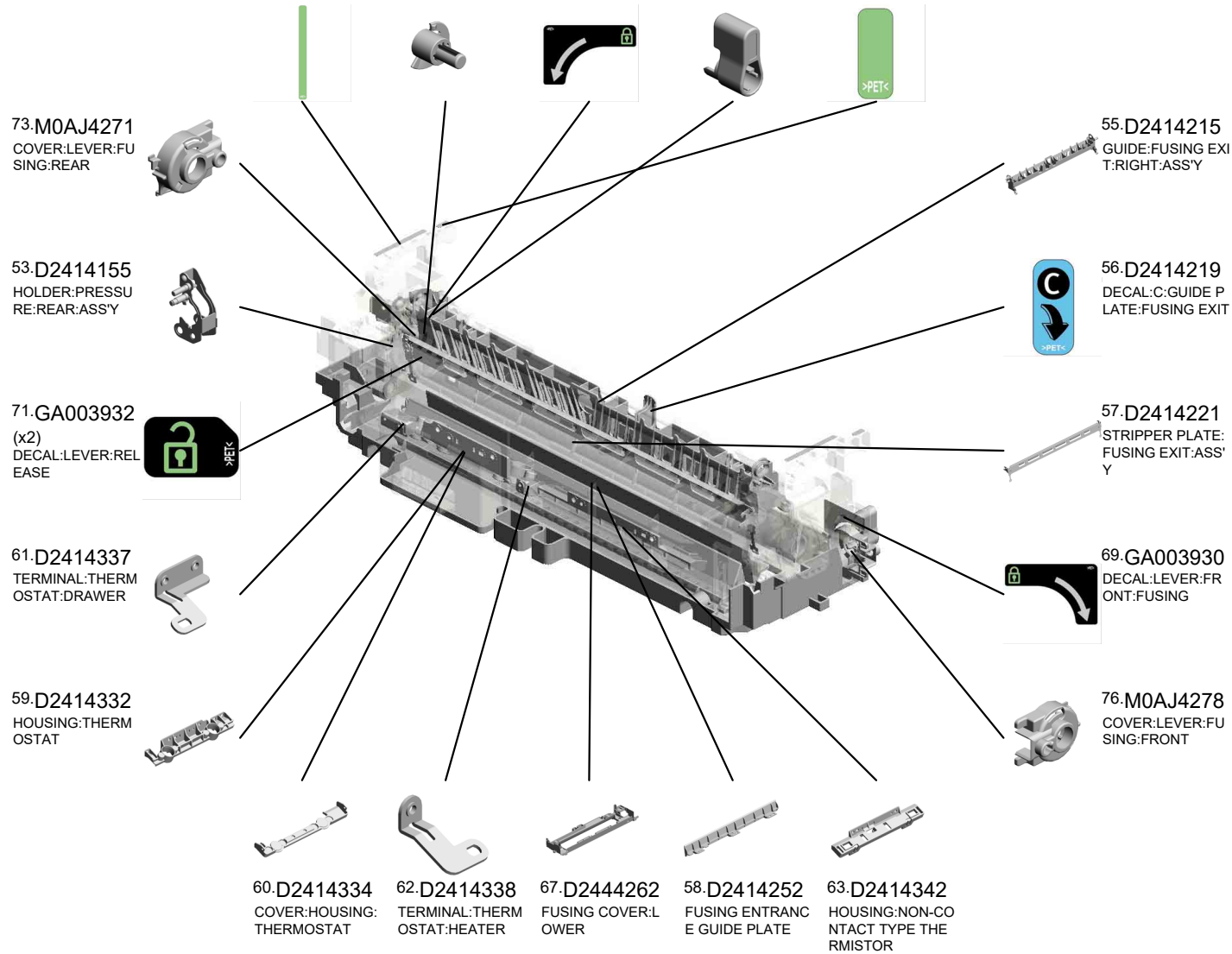
U001	U002	U003	U004	U005	U006	U007	U008	U009	U010	U011	U012	U013	U014	U015	U016	U017	U018
------	------	------	------	------	------	------	------	------	------	------	------	------	------	------	------	------	------

U011_S001
 (EU/AA/IND/CHN/KOR):FUSING UNIT:220-240V:IMC2010-2510

- 68.GA003929 (x2) DECAL:OPERATE:4X27
- 74.M0AJ4272 HOOK:FUSING:REAR
- 70.GA003931 DECAL:LEVER:REAR:FUSING
- 75.M0AJ4273 (x2) LEVER:FUSING
- 72.GA003933 (x4) DECAL:OPERATE:4X10.5

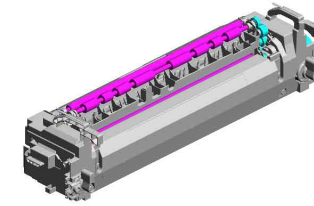


78.D0DZ4022
 (EU/AA/IND/CHN/KOR):FUSING UNIT:220-240V:IMC2010-2510

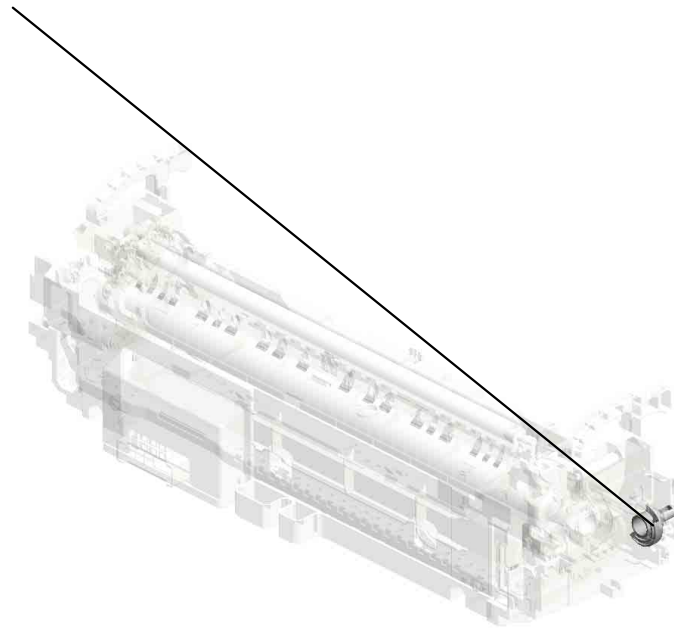


U011_S001
(EU/AA/IND/CHN/KOR):FUSING UNIT:220-240V:IMC2010-2510

77.M0AJ4279
HOOK:FUSING:FR
ONT



78.D0DZ4022
(EU/AA/IND/CHN/K
OR):FUSING UNIT:
220-240V:IMC2010-
2510



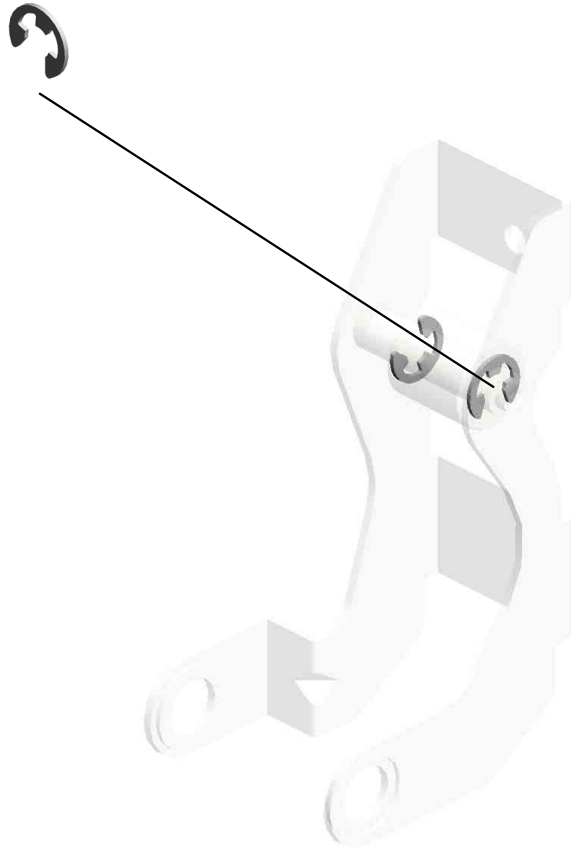
U001	U002	U003	U004	U005	U006	U007	U008	U009	U010	U011	U012	U013	U014	U015	U016	U017	U018
------	------	------	------	------	------	------	------	------	------	------	------	------	------	------	------	------	------

U011_S001_S001
LEVER:PRESSURE:REAR:PEEN

6.07200040E
(x2)
RETAINING RING -
M4



54.D2414160
LEVER:PRESSURE
:REAR:PEEN

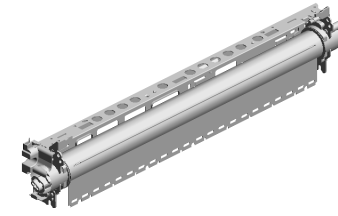


U001	U002	U003	U004	U005	U006	U007	U008	U009	U010	U011	U012	U013	U014	U015	U016	U017	U018
------	------	------	------	------	------	------	------	------	------	------	------	------	------	------	------	------	------

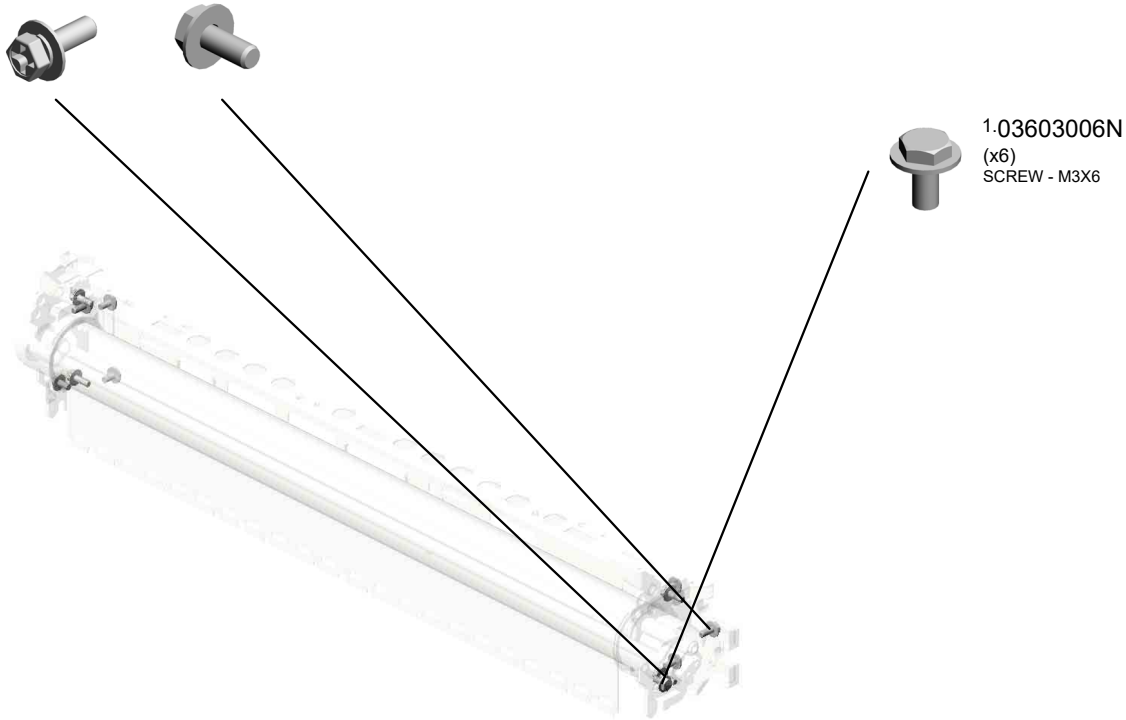
U011_S001_S002
(EU/AA/IND/CHN/KOR):SLEEVE:FUSING:220-240V:IMC2010-2510

10.08046128 (x4)
HEXAGONAL BOLT
:DOUBLE SCREW:
M3X10

9.08046123 (x2)
HEXAGONAL BOLT
:W/WASHER:M3X8



79.D0DZ4052
(EU/AA/IND/CHN/K
OR):SLEEVE:FUSI
NG:220-240V:IMC2
010-2510

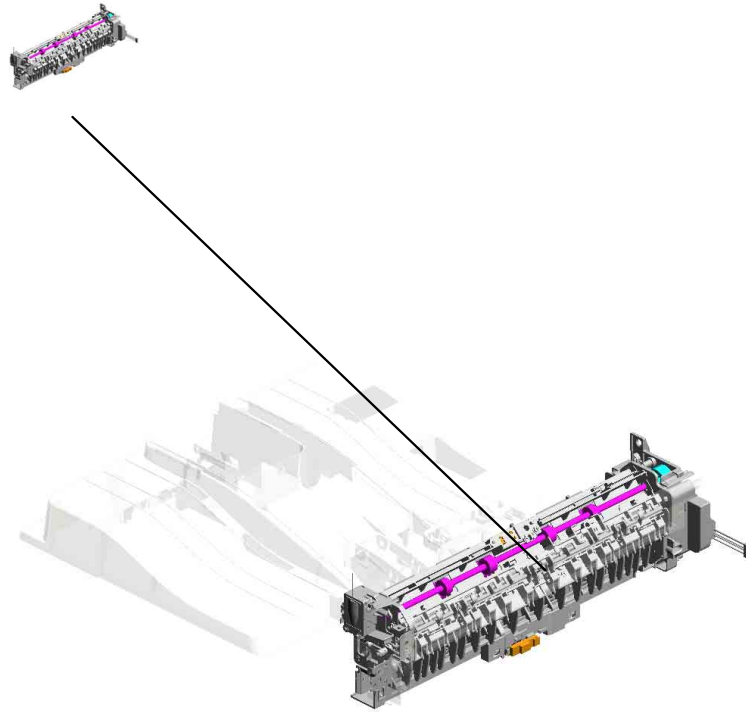


1.03603006N
(x6)
SCREW - M3X6

U001	U002	U003	U004	U005	U006	U007	U008	U009	U010	U011	U012	U013	U014	U015	U016	U017	U018
------	------	------	------	------	------	------	------	------	------	------	------	------	------	------	------	------	------

U012.PAPER EXIT

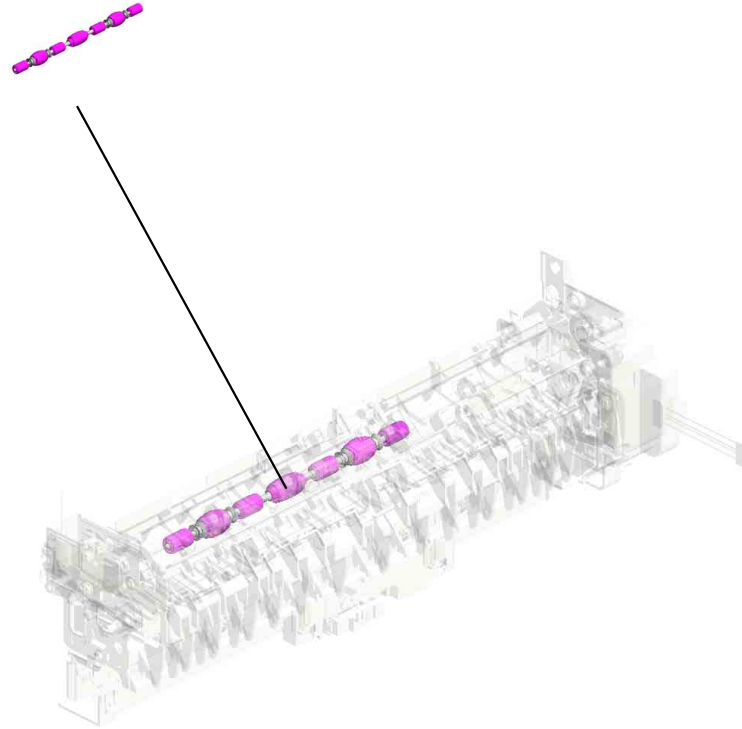
U012 S001
D0DZ4405
PAPER EXIT UNIT:ASSY



U001	U002	U003	U004	U005	U006	U007	U008	U009	U010	U011	U012	U013	U014	U015	U016	U017	U018
------	------	------	------	------	------	------	------	------	------	------	------	------	------	------	------	------	------

U012_S001.PAPER EXIT UNIT:ASS'Y

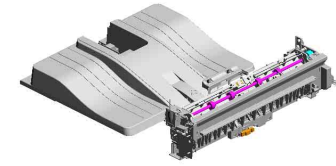
U012 S001 S001
D2414950
ROLLER:EXIT:PRESSURE:2T
YPE:ASS'Y



U001	U002	U003	U004	U005	U006	U007	U008	U009	U010	U011	U012	U013	U014	U015	U016	U017	U018
------	------	------	------	------	------	------	------	------	------	------	------	------	------	------	------	------	------

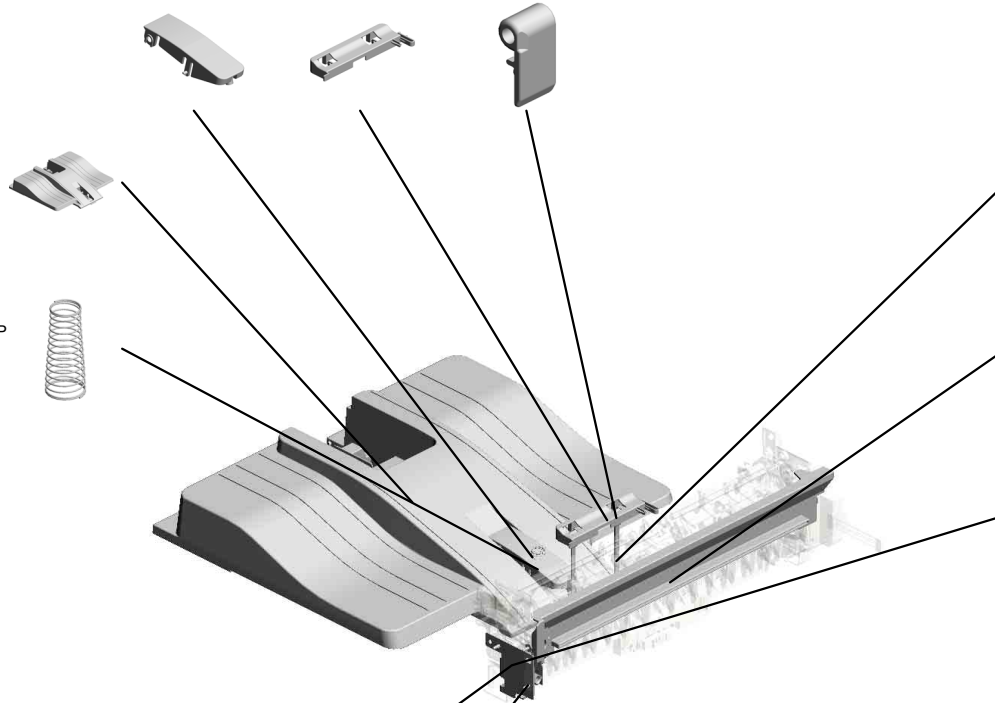
U012 PAPER EXIT

25.D0E34494 30.D0E34961 62.D2414971
 TRAY:AUXILIARY:EXIT:ZB BASE:PLATE:EXIT: (x2)
 LINK:PLATE:EXIT



26.D0E34497
 TRAY:EXIT

49.D2414499
 COMPRESSION SPRING:BASE:TRAY:EXIT



63.D2414972
 (x2)
 GUIDE:PLATE:EXIT

28.D0E34937
 INNER COVER:EXIT

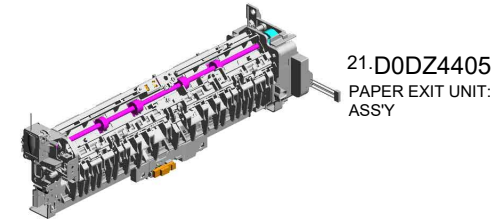
2.04513006N
 (x3)
 TAPPING SCREW - 3X6

27.D0E34932 4.04583008N
 BRACKET:POSITIONING:PAPER EXIT UNIT_ (x3)
 HEXAGON HEAD TAPPING SCREW:3X6 X8

U001	U002	U003	U004	U005	U006	U007	U008	U009	U010	U011	U012	U013	U014	U015	U016	U017	U018
------	------	------	------	------	------	------	------	------	------	------	------	------	------	------	------	------	------

U012_S001
PAPER EXIT UNIT:ASS'Y

- 12.AA080252 (x2) BUSHING - M4
- 18.D0394925 (x4) ROLLER:REVERSE :DRIVEN
- 10.11050758 (x4) CLAMP:LWSM-030 6A
- 19.D0394927 (x2) COMPRESSION SP RING:PRESSURE: REVERSE:DRIVEN
- 23.D0E34441 (x2) GUIDE PLATE:EXIT :UPPER



21.D0DZ4405
PAPER EXIT UNIT:
ASS'Y

9.11050692
(x3)
CLAMP:LES-0503

1.03530030N
(x3)
SCREW:M3X3

8.08050104
RETAINING RINGS
-E:SILENCER:DIA4

14.AA082195
(x2)
PLAIN SHAFT BEA
RING:DIA6XDIA10X
6

17.D0094455
CUSHION - DC SO
LENOID

2.04513006N
(x9)
TAPPING SCREW -
3X6

15.AF040571
(x11)
GUIDE ROLLER

16.AW010147
PHOTO REFLECTI
ON SENSOR:(S1/S
27)

5.04583010N
(x8)
HEXAGON HEAD T
APPING SCREW:3
X10

3.04543006Q
(x9)
TAPPING SCREW -
M3X6

13.AA082193
(x4)
PLAIN SHAFT BEA
RING:DIA4XDIA8X5

22.D0E34426
BRACKET:DC STE
PPER MOTOR:REV
ERSE

7.08050103
(x13)
RETAINING RINGS
-E:SILENCER:DIA3

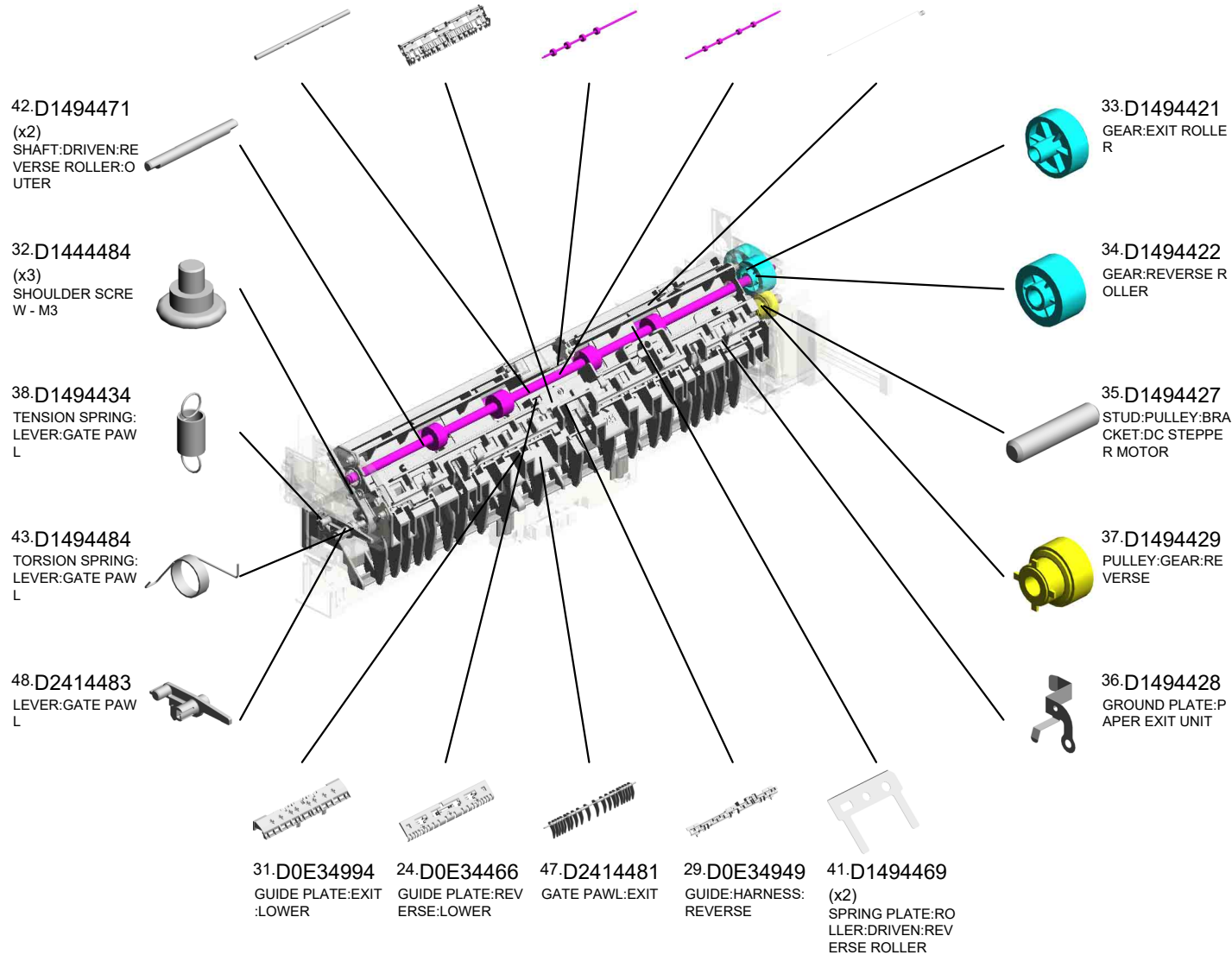
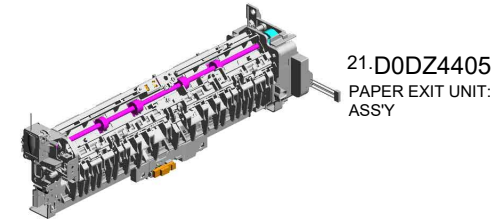
20.D0BQ4425
DC STEPPER MOT
OR:REVERSE:SUB
-ASS'Y:(M3)

11.A2324666
CUSHION - STEPP
ER MOTOR

U001	U002	U003	U004	U005	U006	U007	U008	U009	U010	U011	U012	U013	U014	U015	U016	U017	U018
------	------	------	------	------	------	------	------	------	------	------	------	------	------	------	------	------	------

U012_S001
PAPER EXIT UNIT:ASS'Y

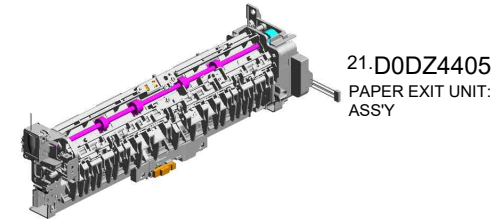
- 40.D1494468 SHAFT:DRIVEN:REVERSE ROLLER
- 45.D2414461 GUIDE PLATE:REVERSE:UPPER
- 46.D2414476 EXIT ROLLER
- 44.D2024477 REVERSE ROLLER
- 39.D1494463 GROUND WIRE:SENSOR:REVERSE



U001	U002	U003	U004	U005	U006	U007	U008	U009	U010	U011	U012	U013	U014	U015	U016	U017	U018
------	------	------	------	------	------	------	------	------	------	------	------	------	------	------	------	------	------

U012_S001 PAPER EXIT UNIT:ASS'Y

- 68.D2414992 DISCHARGE BRUSH:EXIT
- 57.D2414955 HOLDER:ROLLER:EXIT:PRESSURE:2 TYPE
- 73.M0AJ4981 DECAL:EXIT:GUIDE P:LOWER:MIDDLE
- 72.GW010007 (x2) PHOTO REFLECTOR SENSOR:EXIT:(S3/S9/S10/S14/S16/S24)
- 67.D2414981 (x2) COIL SPRING:ROLLER:PRESSURE:EXIT

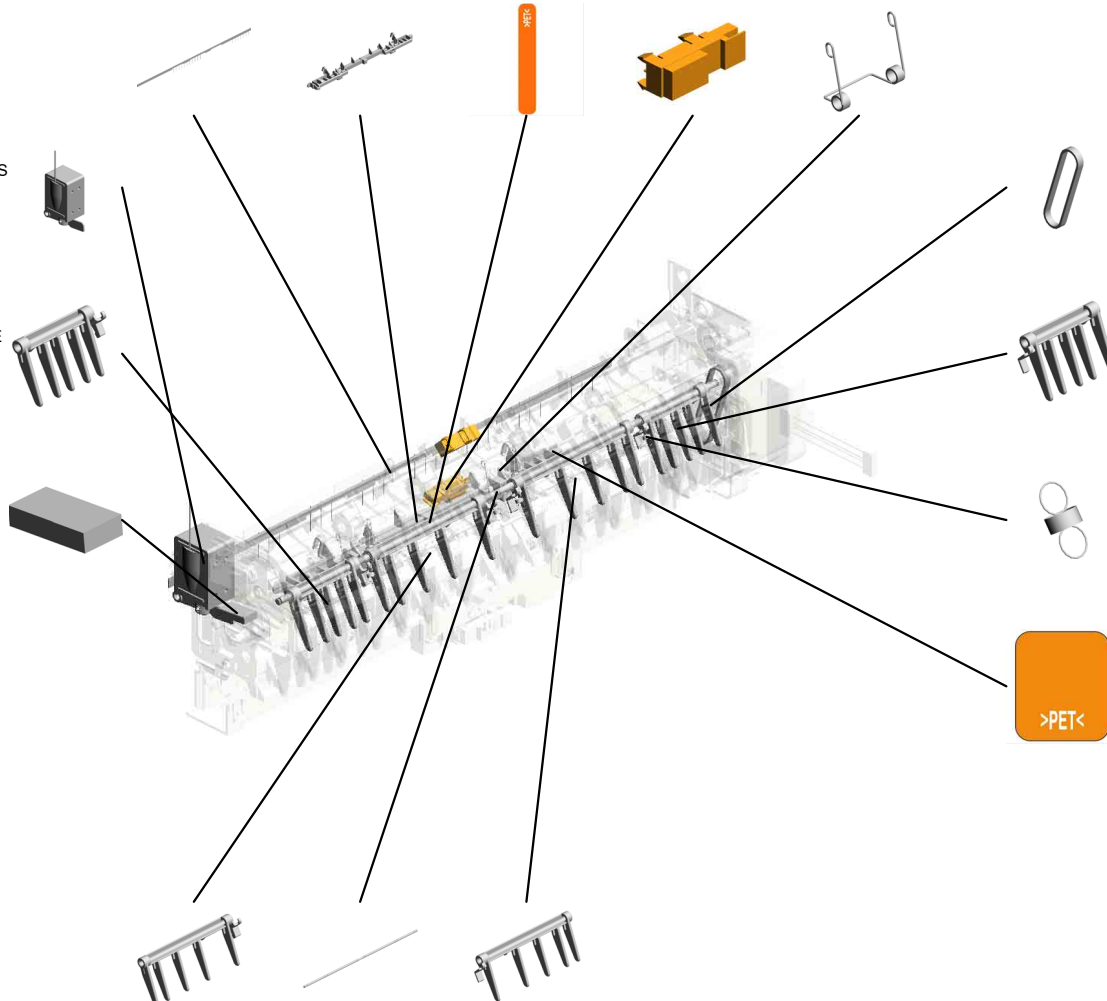


21.D0DZ4405
PAPER EXIT UNIT:ASS'Y

69.D2414996
DC SOLENOID:ASS'Y:(SOL2)

55.D2414947
GATE PAWL:REVERSE:FRONT

70.D2414998
CUSHION:DC SOLENOID:4MM



71.D6842163
SYNCHRONOUS BELT:40S2M122

53.D2414943
GATE PAWL:REVERSE:REAR

50.D2414937
(x4) TENSION SPRING:GATE:REVERSE

74.M0AJ4982
DECAL:EXIT:GUIDE P:LOWER:INNER BACK

51.D2414941
GATE PAWL:REVERSE:FRONT MIDDLE

54.D2414946
SHAFT:GATE PAWL:REVERSE

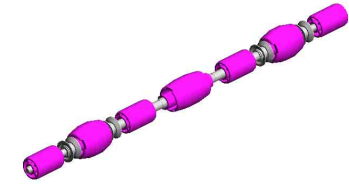
52.D2414942
GATE PAWL:REVERSE:REAR MIDDLE

U001	U002	U003	U004	U005	U006	U007	U008	U009	U010	U011	U012	U013	U014	U015	U016	U017	U018
------	------	------	------	------	------	------	------	------	------	------	------	------	------	------	------	------	------

U012_S001_S001

ROLLER:EXIT:PRESSURE:2TYPE:ASS'Y

60.D2414964 (x2) ROLLER:EXIT:PRESSURE
 6.07200020G (x4) RETAINING RING - M2



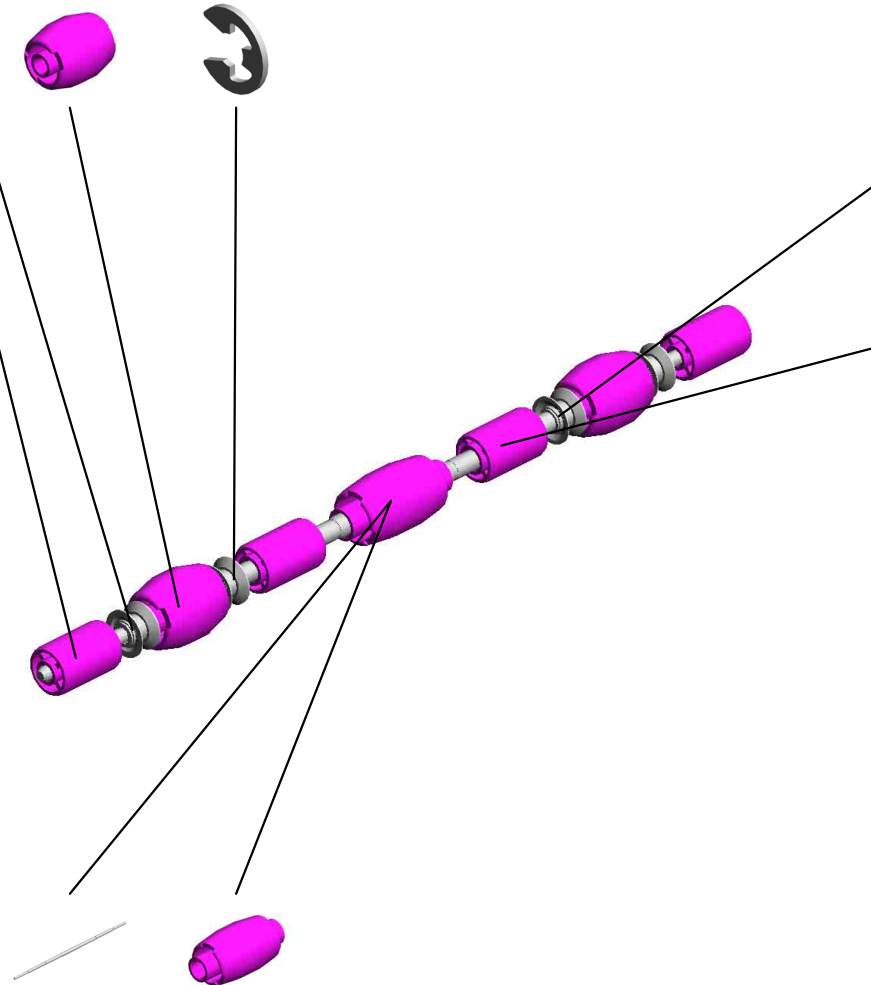
56.D2414950 ROLLER:EXIT:PRESSURE:2TYPE:ASS'Y

66.D2414978 (x2) COLLAR:ROLLER:EXIT:PRESSURE:BOTHT ENDS

59.D2414962 (x2) ROLLER:DRIVEN:EXIT

61.D2414965 (x2) COLLAR:ROLLER:EXIT:PRESSURE

65.D2414977 (x2) ROLLER:DRIVEN:EXIT:MIDDLE

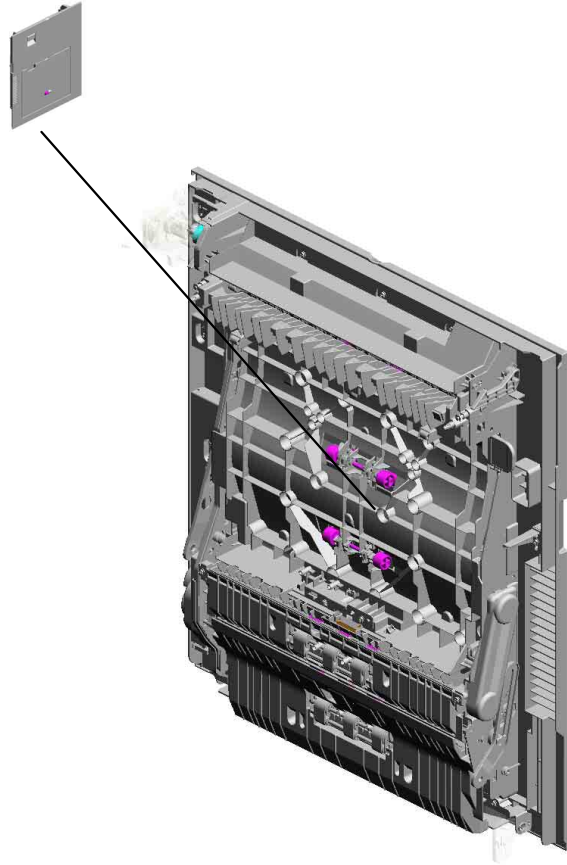


58.D2414957 SHAFT:ROLLER:PRESSURE:EXIT:2TYPE
 64.D2414976 ROLLER:EXIT:PRESSURE:MIDDLE

U001	U002	U003	U004	U005	U006	U007	U008	U009	U010	U011	U012	U013	U014	U015	U016	U017	U018
------	------	------	------	------	------	------	------	------	------	------	------	------	------	------	------	------	------

U013.DUPLEX

U013 S001
D0DZ4555
DUPLEX UNIT:IMC2010-2510



U001	U002	U003	U004	U005	U006	U007	U008	U009	U010	U011	U012	U013	U014	U015	U016	U017	U018
------	------	------	------	------	------	------	------	------	------	------	------	------	------	------	------	------	------

U013_S001.DUPLEX UNIT:IMC2010-2510

U013 S001 S003
D0E32671
GUIDE PLATE:VERTICAL TR
ANSPORT:NO.1:DRIVEN:ASS
Y

U013 S001 S002
D0E34563
MANUAL FEED TABLE:IMC20
10-6010

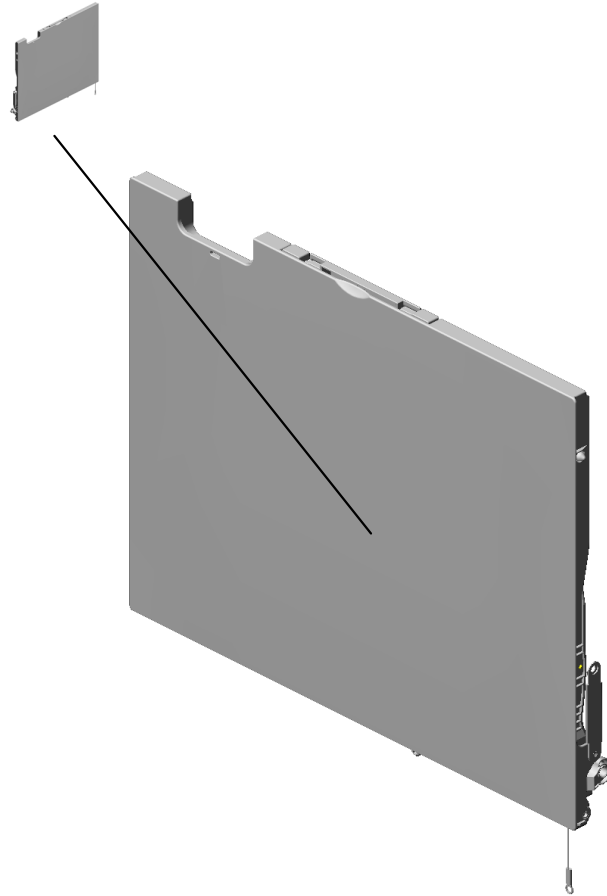
U013 S001 S001
D0DZ2600
MANUAL FEED UNIT:ASSY

U013 S001 S004
D0E32672
GUIDE PLATE:VERTICAL TR
ANSPORT:NO.2:DRIVEN:ASS
Y

U001	U002	U003	U004	U005	U006	U007	U008	U009	U010	U011	U012	U013	U014	U015	U016	U017	U018
------	------	------	------	------	------	------	------	------	------	------	------	------	------	------	------	------	------

U013_S001_S002.MANUAL FEED TABLE:IMC2010-6010

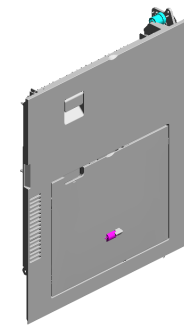
U013 S001 S002 S001
D0E32603
MANUAL FEED TABLE:ASSY



U001	U002	U003	U004	U005	U006	U007	U008	U009	U010	U011	U012	U013	U014	U015	U016	U017	U018
------	------	------	------	------	------	------	------	------	------	------	------	------	------	------	------	------	------

U013 DUPLEX

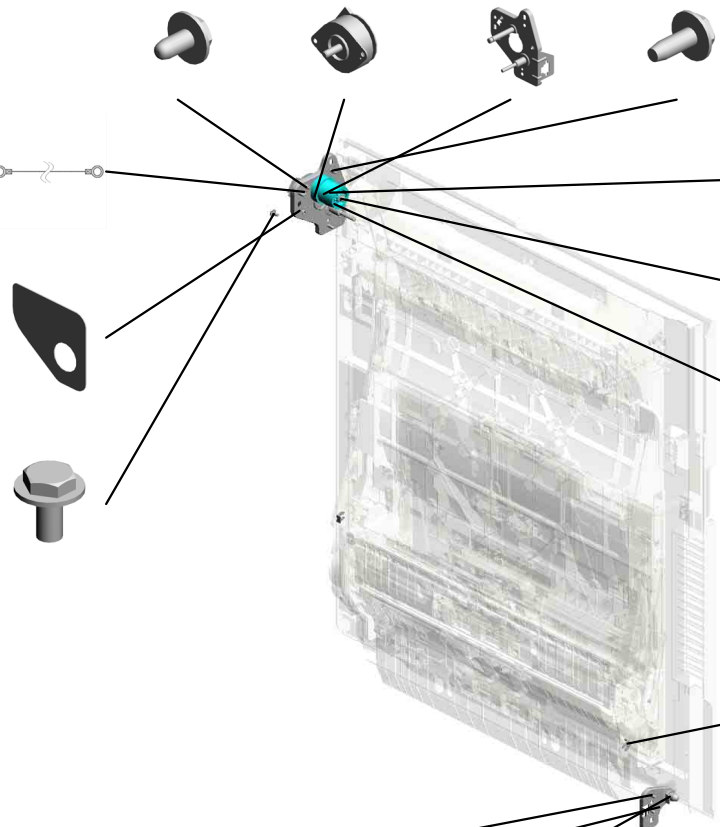
5.04543006Q TAPPING SCREW - M3X6
 37.AX060464 DC MOTOR:ENCO DER:NO:10W:GEAR:BRUSHLESS:(M1)
 176.D2414750 BRACKET:MOTOR: DUPLEX
 7.04583008N (x3) HEXAGON HEAD TAPPING SCREW:3 X8



122.D1494623 GROUND WIRE:BRACKET:ENTRANCE:DUPLEX

69.D0BQ4757 SPACER:DC MOTOR:DUPLEX:2

2.03603006N SCREW - M3X6



3.04513006N (x 2) TAPPING SCREW - 3X6

68.D0BQ4755 GEAR:OUTPUT:DUPLEX:ENTRANCE:CROWNING

10.07200040E RETAINING RING - M4

36.AW500049 PUSH SWITCH:SW1AG-550:(S4/S17/S19/S21/S35)

19.54472681 (x2) SNAP RING

3.04513006N (x2) TAPPING SCREW - 3X6

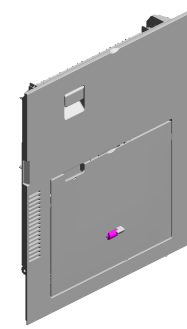
135.D1494755 BRACKET:HINGE:DUPLEX:FRONT

18.52152621 SNAP RING - M6

U001	U002	U003	U004	U005	U006	U007	U008	U009	U010	U011	U012	U013	U014	U015	U016	U017	U018
------	------	------	------	------	------	------	------	------	------	------	------	-------------	------	------	------	------	------

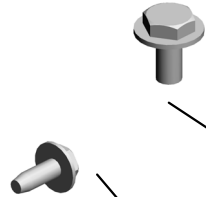
U013_S001
 DUPLEX UNIT:IMC2010-2510

- 2.03603006N (x2) SCREW - M3X6
- 12.08050103 (x6) RETAINING RINGS -E:SILENCER:DIA3
- 21.AA082193 (x2) PLAIN SHAFT BEARING:DIA4XDIA8X5
- 14.11050692 (x4) CLAMP:LES-0503
- 13.08050104 (x6) RETAINING RINGS -E:SILENCER:DIA4



71.D0DZ4555
 DUPLEX UNIT:IMC
 2010-2510

7.04583008N
 (x23)
 HEXAGON HEAD TAPPING SCREW:3X8



8.04583010N
 (x10)
 HEXAGON HEAD TAPPING SCREW:3X10



17.11050758
 (x9)
 CLAMP:LWSM-0306A



9.07200030E
 (x2)
 RETAINING RING - M3



6.04543008Q
 (x2)
 TAPPING SCREW:3X8



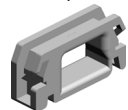
25.AA083018
 ROLLER CLUTCH - 6X14X10



3.04513006N (x5)
 TAPPING SCREW - 3X6



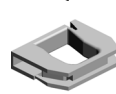
15.11050723
 CLAMPS:WES-0507



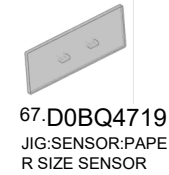
24.AA083014
 ONE-WAY CLUTCH



16.11050724
 CLAMPS:WES-1210



28.AA143807
 SCREW:A



67.D0BQ4719
 JIG:SENSOR:PAPER SIZE SENSOR

5.04543006Q
 (x3)
 TAPPING SCREW - M3X6



11.07200060E
 (x2)
 RETAINING RING - M6



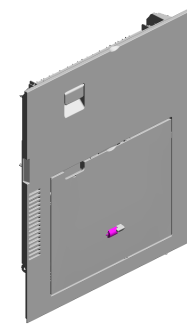
22.AA082195
 (x7)
 PLAIN SHAFT BEARING:DIA6XDIA10X6



10.07200040E
 (x5)
 RETAINING RING - M4

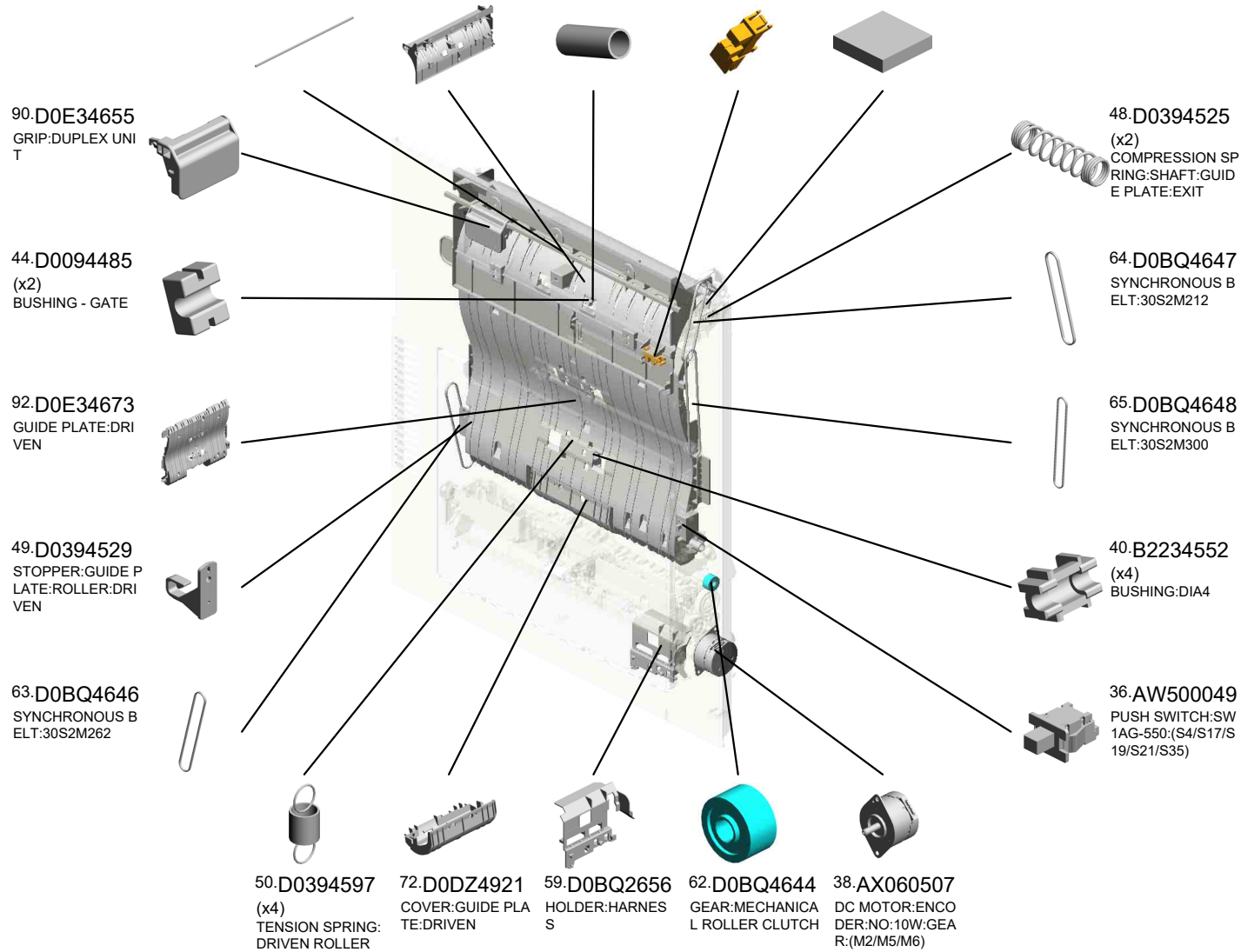


U013_S001
 DUPLEX UNIT:IMC2010-2510



71.D0DZ4555
 DUPLEX UNIT:IMC
 2010-2510

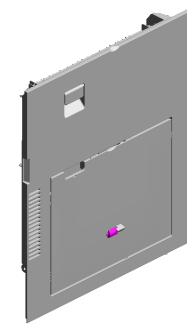
- 66.D0BQ4654 SHAFT:LEVER:LOCK
- 91.D0E34660 GUIDE PLATE:UPPER:RIGHT:DUPLEX
- 45.D0094487 (x2) COMPRESSION SPRING - GATE
- 35.AW020234 PHOTOINTERRUPTOR:GP1A173LCS5F:(S5/S6/S8/S13/S15/S23/S25/S32)
- 43.D0094455 (x2) CUSHION - DC SOLENOID



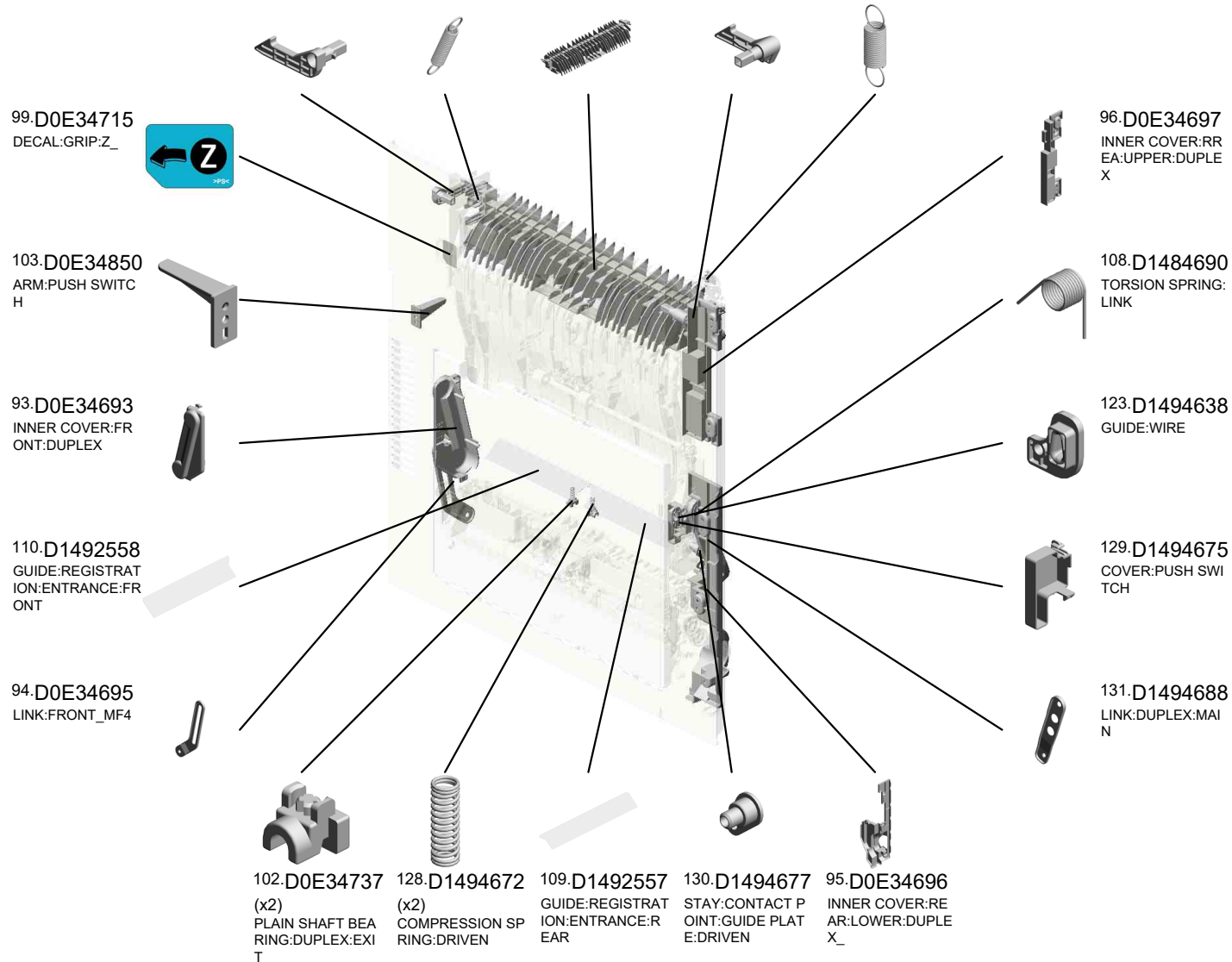
U001	U002	U003	U004	U005	U006	U007	U008	U009	U010	U011	U012	U013	U014	U015	U016	U017	U018
------	------	------	------	------	------	------	------	------	------	------	------	------	------	------	------	------	------

U013_S001
 DUPLEX UNIT:IMC2010-2510

125.D1494656 HOOK:STOPPER:DU
 PLEX UNIT:FRONT
 127.D1494658 COIL SPRING:LEV
 ER:DUPL
 105.D0E34995 GUIDE PLATE:UPP
 ER
 126.D1494657 HOOK:STOPPER:DU
 PLEX UNIT:REAR
 124.D1494653 TENSION SPRING:
 SWIVEL

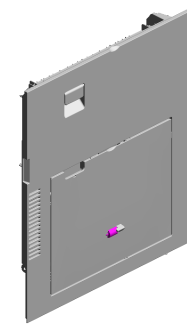


71.D0DZ4555
 DUPLEX UNIT:IMC
 2010-2510



U001	U002	U003	U004	U005	U006	U007	U008	U009	U010	U011	U012	U013	U014	U015	U016	U017	U018
------	------	------	------	------	------	------	------	------	------	------	------	------	------	------	------	------	------

U013_S001
 DUPLEX UNIT:IMC2010-2510



71.D0DZ4555
 DUPLEX UNIT:IMC
 2010-2510

- 167.D2414677 (x2) COMPRESSION SPRING:EXIT:UPPER
- 166.D2414676 (x2) LEVER:PRESSURE:DUPL
- 165.D2414652 GEAR:PULLEY:SWIVEL
- 164.D2414648 BRACKET:SWIVEL:PEEN
- 148.D2024692 (x2) SHAFT:PRESSURE:GUIDE PLATE:UPPER

145.D2024674
 TORSION SPRING:
 DUPLEX:ENTRANCE
 SENSOR

144.D2024673
 FEELER:DUPLX:ENTRANCE
 SENSOR

160.D2414635
 SHEET:CUSHION

163.D2414643
 (x2)
 TRANSPORT ROLLER:
 ENTRANCE

162.D2414642
 TRANSPORT ROLLER:
 DUPLX:1

146.D2024682
 DRIVEN ROLLER:
 DIA16

161.D2414640
 TRANSPORT ROLLER:
 EXIT:DIA8

172.D2414707
 GEAR:FEED:MANUAL
 FEED:DRIVE

169.D2414684
 GEAR:OUTPUT

168.D2414681
 BRACKET:MOTOR:
 PEEN

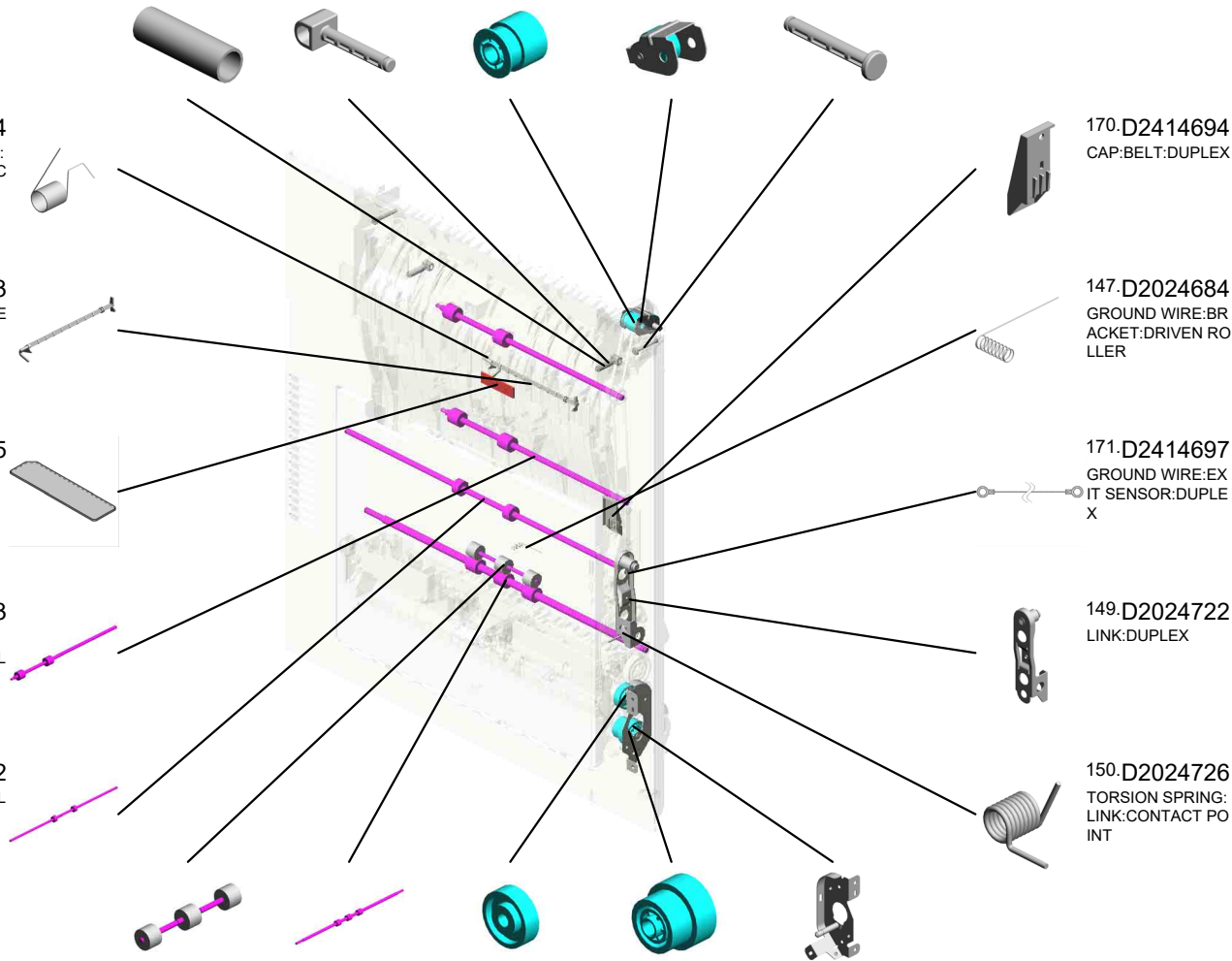
170.D2414694
 CAP:BELT:DUPLX

147.D2024684
 GROUND WIRE:BRACKET:
 DRIVEN ROLLER

171.D2414697
 GROUND WIRE:EXIT
 SENSOR:DUPLX

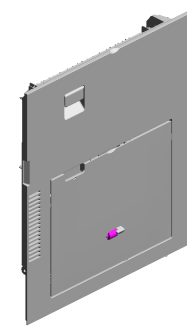
149.D2024722
 LINK:DUPLX

150.D2024726
 TORSION SPRING:
 LINK:CONTACT POINT



U001	U002	U003	U004	U005	U006	U007	U008	U009	U010	U011	U012	U013	U014	U015	U016	U017	U018
------	------	------	------	------	------	------	------	------	------	------	------	------	------	------	------	------	------

U013_S001
 DUPLEX UNIT:IMC2010-2510



71.D0DZ4555
 DUPLEX UNIT:IMC
 2010-2510

178.D2414762 177.D2414761 183.GW010007
 DRIVEN ROLLER:D (x2) PHOTO REFLECTI
 IA18 DRIVEN ROLLER:D ON SENSOR:EXIT:(
 IA16 S3/S9/S10/S14/S16/
 S24)

180.D2414765
 PULLEY:T26

181.D2414766
 (x3)
 PULLEY:T26/T26

179.D2414763
 GUIDE:HARNESS:
 ENTRANCE SENS
 OR:DUPLEX

175.D2414710
 GEAR:IDLER

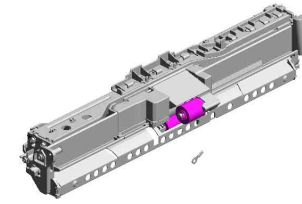
174.D2414709
 GEAR:TRANSPOR
 T ROLLER:MANUA
 L FEED

182.D2414923
 STAY:CONTACT P
 OINT:DUPLEX

173.D2414708
 GEAR:SEPARATO
 R:MANUAL FEED:D
 RIVE

U001	U002	U003	U004	U005	U006	U007	U008	U009	U010	U011	U012	U013	U014	U015	U016	U017	U018
------	------	------	------	------	------	------	------	------	------	------	------	------	------	------	------	------	------

U013_S001_S001
MANUAL FEED UNIT:ASS'Y



70.D0DZ2600
MANUAL FEED UNIT:ASS'Y

- 1.03530030N (x2) SCREW:M3X3
- 29.AB010157 GEAR:SEPARATE:DRIVEN
- 3.04513006N (x2) TAPPING SCREW - 3X6
- 23.AA082198 BUSHING:DIA6XDI A10X9:EG-1-J
- 13.08050104 (x7) RETAINING RINGS -E:SILENCER:DIA4

14.11050692
CLAMP:LES-0503



4.04513008N (x5) TAPPING SCREW - M3X8



8.04583010N (x4) HEXAGON HEAD TAPPING SCREW:3 X10



17.11050758
CLAMP:LWSM-030 6A



20.AA082191 (x2) BUSHING:DIA6XDI A10X6:EG-1-J



32.AF030049
PICK-UP ROLLER



30.AB011252
GEAR - 20Z



35.AW020234
PHOTOINTERRUPTOR:GP1A173LCS 5F:(S5/S6/S8/S13/S15/S23/S25/S32)



7.04583008N (x3) HEXAGON HEAD TAPPING SCREW:3 X8



27.AA143579 (x2) SCREW - M3



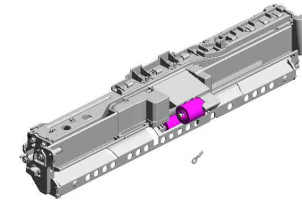
- 34.AF032046 SEPARATION ROLLER - MANUAL FEED
- 33.AF031046 FEED ROLLER - MANUAL FEED
- 12.08050103 (x6) RETAINING RINGS -E:SILENCER:DIA3
- 26.AA100014 (x2) RETAINING RING C - SEPARATE
- 21.AA082193 PLAIN SHAFT BEARING RING:DIA4XDI A8X5



U001	U002	U003	U004	U005	U006	U007	U008	U009	U010	U011	U012	U013	U014	U015	U016	U017	U018
------	------	------	------	------	------	------	------	------	------	------	------	------	------	------	------	------	------

U013_S001_S001 MANUAL FEED UNIT:ASS'Y

117.D1492642 SHAFT:LINK:PAPE
R STOPPER
54.D0BQ2638 LINK:PAPER STOP
PER:MANUAL FEE
D
53.D0BQ2637 PAPER STOPPER:
MANUAL FEED
79.D0E32641 COVER:PAPER ST
OPPER:MANUAL F
EED
116.D1492639 SHAFT:PAPER ST
OPPER



70.D0DZ2600
MANUAL FEED UNI
T:ASS'Y

114.D1492633
SHAFT:FEED:MAN
UAL FEED

52.D0BQ2619
SHAFT:SEPARATO
R:DRIVE:ASS'Y

115.D1492635
TRANSPORT ROLL
ER:MANUAL FEED

51.D0BQ2608
SHAFT:SEPARATO
R:DRIVEN:ASS'Y

58.D0BQ2655
GEAR:SEPARATE:
DRIVE

56.D0BQ2653
COIL SPRING:PRE
SSURE:SEPARATO
R

112.D1492613
SHAFT:GRIP:DRIV
EN

106.D1292783
TORQUE LIMITER
MECHANICAL CLU
TCH:40MNM:DIA18

113.D1492614
(x2)
TENSION SPRING:
GRIP:PRESSURE

111.D1492612
(x3)
ROLLER:GRIP:DRI
VEN

83.D0E32658
COVER:PAPER FE
ED ROLLER

74.D0E32623
ARM:PICKUP:MAN
UAL FEED

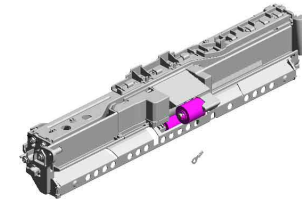
75.D0E32624
COVER:PAPER EN
D

76.D0E32625
BRACKET:PAPER
END SENSOR:MAN
UAL FEED

57.D0BQ2654
(x2)
CUSHION:GUIDE P
LATE:SEPARATOR

U001	U002	U003	U004	U005	U006	U007	U008	U009	U010	U011	U012	U013	U014	U015	U016	U017	U018
------	------	------	------	------	------	------	------	------	------	------	------	------	------	------	------	------	------

U013_S001_S001
 MANUAL FEED UNIT:ASS'Y

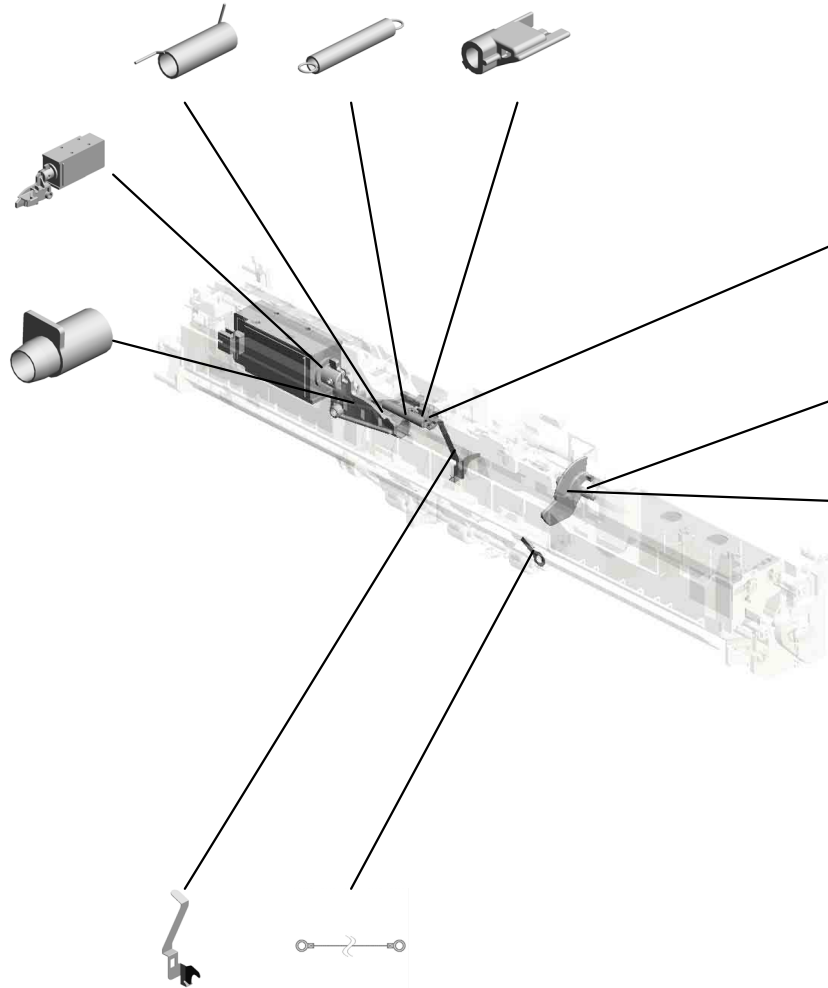


70.D0DZ2600
 MANUAL FEED UNIT:ASS'Y

- 139.D2022619 TORSION SPRING: PICKUP
- 138.D2022614 COIL SPRING:REL EASE:PICKUP:MANUAL FEED
- 152.D2412643 ARM:LINK:PAPER STOPPER

151.D2412612 DC SOLENOID: PICKUP:ASS'Y:(SOL1)

140.D2022620 SHOE:TORSION SPRING:PICKUP



153.D2412644 TORSION SPRING: LINK:PAPER STOPPER

119.D1492656 TORSION SPRING: PAPER END SENSOR

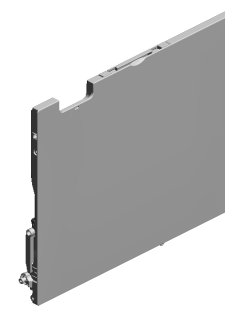
118.D1492655 FEELER:PAPER END SENSOR

154.D2412652 GROUND PLATE:SHAFT:FEED

155.D2412657 GROUND WIRE:MANUAL FEED UNIT: REAR

U001	U002	U003	U004	U005	U006	U007	U008	U009	U010	U011	U012	U013	U014	U015	U016	U017	U018
------	------	------	------	------	------	------	------	------	------	------	------	------	------	------	------	------	------

U013_S001_S002
MANUAL FEED TABLE:IMC2010-6010



88.D0E34563
MANUAL FEED TA
BLE:IMC2010-6010



67.D0BQ4719
JIG:SENSOR:PAPE
R SIZE SENSOR

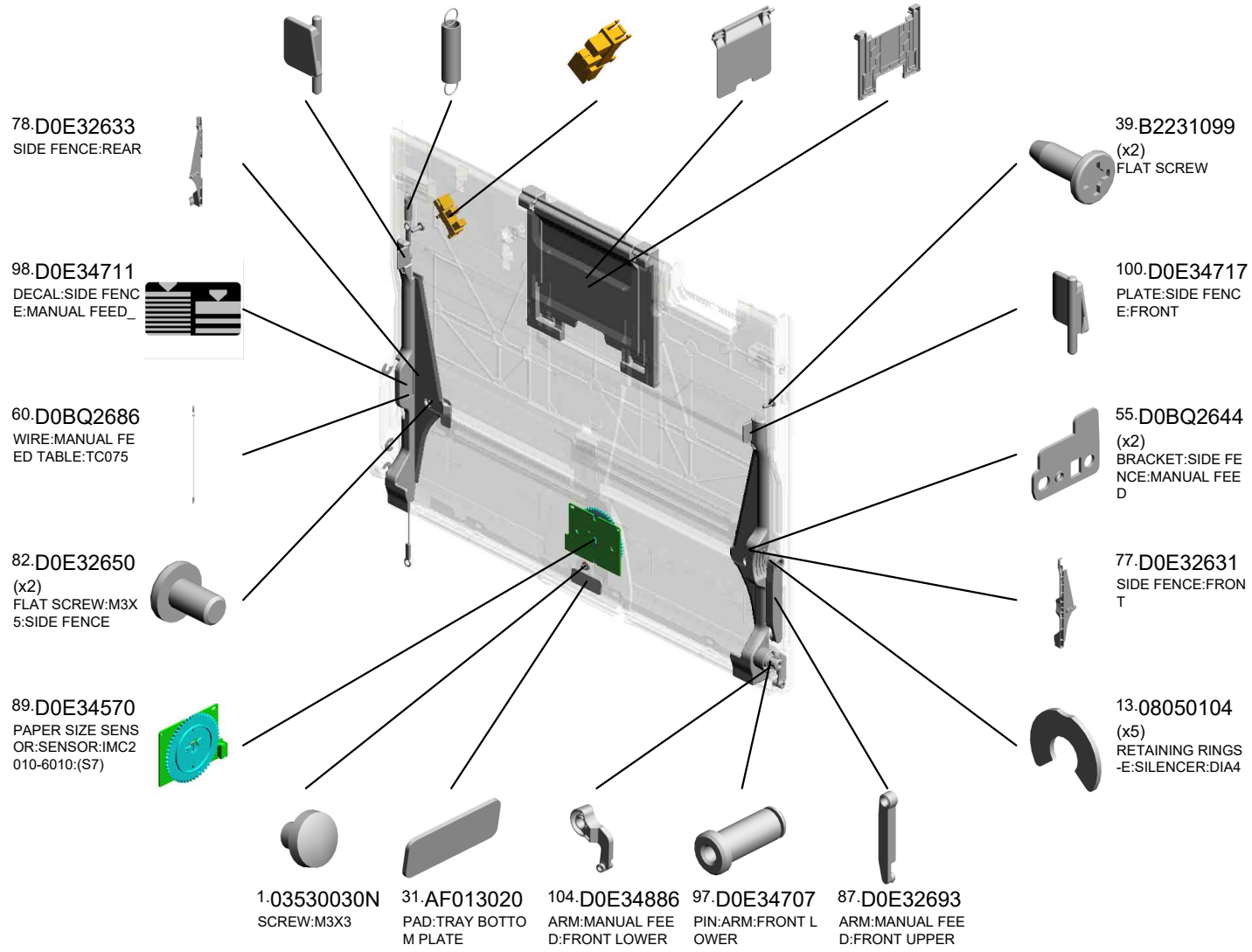
U001	U002	U003	U004	U005	U006	U007	U008	U009	U010	U011	U012	U013	U014	U015	U016	U017	U018
------	------	------	------	------	------	------	------	------	------	------	------	------	------	------	------	------	------

U013_S001_S002_S001
 MANUAL FEED TABLE:ASS'Y_

- 101.D0E34720 PLATE:SIDE FENCE:REAR
- 61.D0BQ2688 TENSION SPRING:WIRE
- 35.AW020234 PHOTOINTERRUPTOR:GP1A173LCS5F:(S5/S6/S8/S13/S15/S23/S25/S32)
- 80.D0E32642 EXTENSION TRAY:NO.2
- 81.D0E32643 EXTENSION TRAY:NO.1



73.D0E32603
 MANUAL FEED TABLE:ASS'Y_



78.D0E32633
 SIDE FENCE:REAR

98.D0E34711
 DECAL:SIDE FENCE:MANUAL FEED_

60.D0BQ2686
 WIRE:MANUAL FEED TABLE:TC075

82.D0E32650
 (x2)
 FLAT SCREW:M3X5:SIDE FENCE

89.D0E34570
 PAPER SIZE SENSOR:SENSOR:IMC2010-6010:(S7)

1.O3530030N
 SCREW:M3X3

31.AF013020
 PAD:TRAY BOTTOM PLATE

104.D0E34886
 ARM:MANUAL FEED:FRONT LOWER

97.D0E34707
 PIN:ARM:FRONT LOWER

87.D0E32693
 ARM:MANUAL FEED:FRONT UPPER

39.B2231099
 (x2)
 FLAT SCREW

100.D0E34717
 PLATE:SIDE FENCE:FRONT

55.D0BQ2644
 (x2)
 BRACKET:SIDE FENCE:MANUAL FEED

77.D0E32631
 SIDE FENCE:FRONT

13.08050104
 (x5)
 RETAINING RINGS-SILENCER:DIA4

U001	U002	U003	U004	U005	U006	U007	U008	U009	U010	U011	U012	U013	U014	U015	U016	U017	U018
------	------	------	------	------	------	------	------	------	------	------	------	------	------	------	------	------	------

U013_S001_S002_S001
 MANUAL FEED TABLE:ASS'Y_

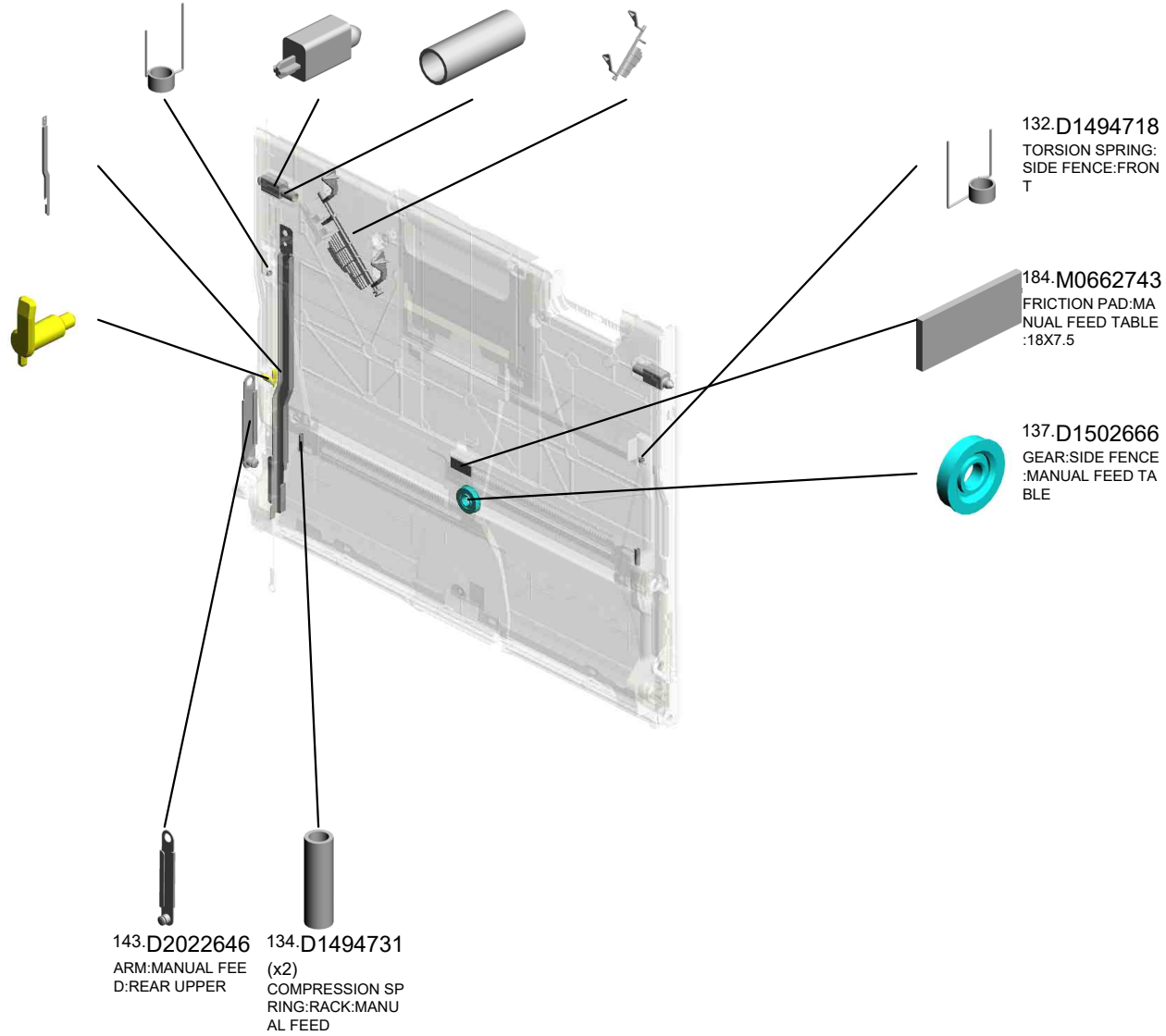
- 133.D1494721 TORSION SPRING: SIDE FENCE:REAR
- 120.D1492693 (x2) STOPPER:MANUAL FEED TABLE
- 121.D1492694 (x2) COMPRESSION SPRING:STOPPER:MANUAL FEED TABLE
- 141.D2022638 FEELER:PAPER SIZE SENSOR:MANUAL FEED



73.D0E32603
 MANUAL FEED TABLE:ASS'Y_

159.D2412682
 STAY:REAR:MANUAL FEED TABLE

142.D2022642
 PULLEY:WIRE:MANUAL FEED TABLE



132.D1494718
 TORSION SPRING: SIDE FENCE:FRONT

184.M0662743
 FRICTION PAD:MANUAL FEED TABLE:18X7.5

137.D1502666
 GEAR:SIDE FENCE:MANUAL FEED TABLE

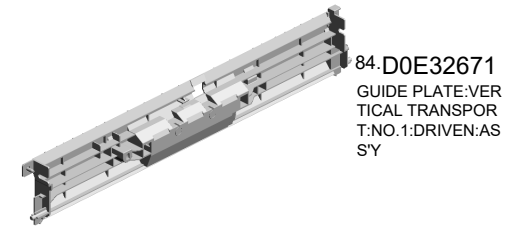
- 143.D2022646 ARM:MANUAL FEED:REAR UPPER
- 134.D1494731 (x2) COMPRESSION SPRING:RACK:MANUAL FEED

U001	U002	U003	U004	U005	U006	U007	U008	U009	U010	U011	U012	U013	U014	U015	U016	U017	U018
------	------	------	------	------	------	------	------	------	------	------	------	------	------	------	------	------	------

U013_S001_S003

GUIDE PLATE:VERTICAL TRANSPORT:NO.1:DRIVEN:ASS'Y

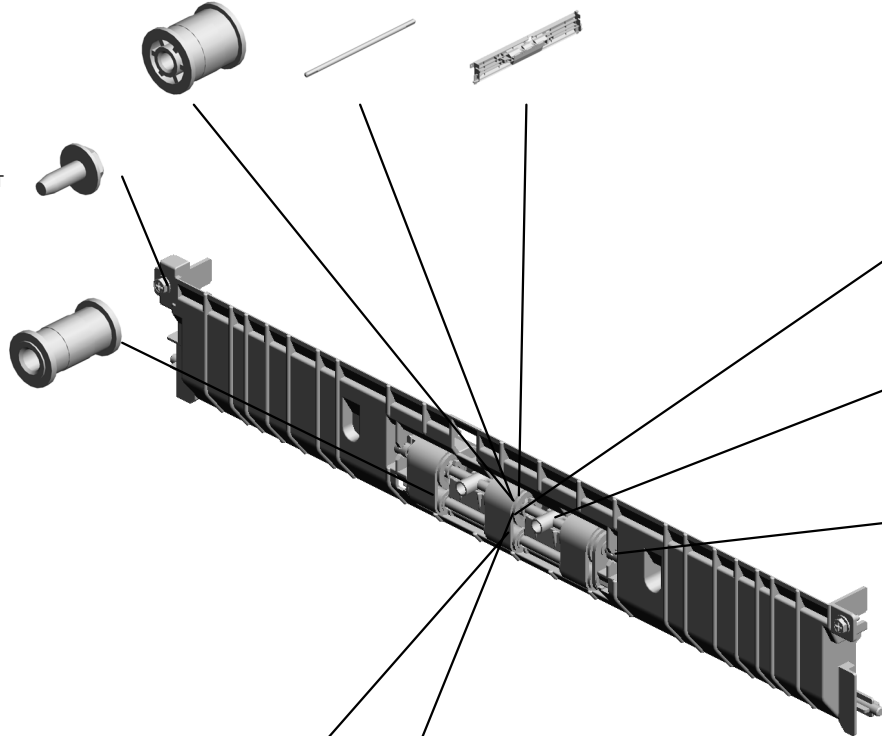
41.D0092573 (x3) PULLEY - VERTICAL TRANSPORT
 158.D2412678 SHAFT:FLAT CONVEYER BELT:DRIVEN
 86.D0E32673 GUIDE PLATE:VERTICAL TRANSPORT:NO.1:DRIVEN



84.D0E32671 GUIDE PLATE:VERTICAL TRANSPORT:NO.1:DRIVEN:ASS'Y

7.04583008N (x2) HEXAGON HEAD TAPPING SCREW:3X8

42.D0092574 (x3) PULLEY - IDLER



157.D2412676 HOLDER:DRIVEN:BELT

136.D1494777 (x2) COMPRESSION SPRING:FLAT CONVEYER BELT:DRIVEN

107.D1444489 (x2) STOPPER:DRIVEN ROLLER

47.D0392993 SHAFT:TRANSPORT BELT:PULLEY
 46.D0292677 (x3) TRANSPORT BELT:DRIVEN:VERTICAL TRANSPORT

U001	U002	U003	U004	U005	U006	U007	U008	U009	U010	U011	U012	U013	U014	U015	U016	U017	U018
------	------	------	------	------	------	------	------	------	------	------	------	------	------	------	------	------	------

U013_S001_S004

GUIDE PLATE:VERTICAL TRANSPORT:NO.2:DRIVEN:ASS'Y

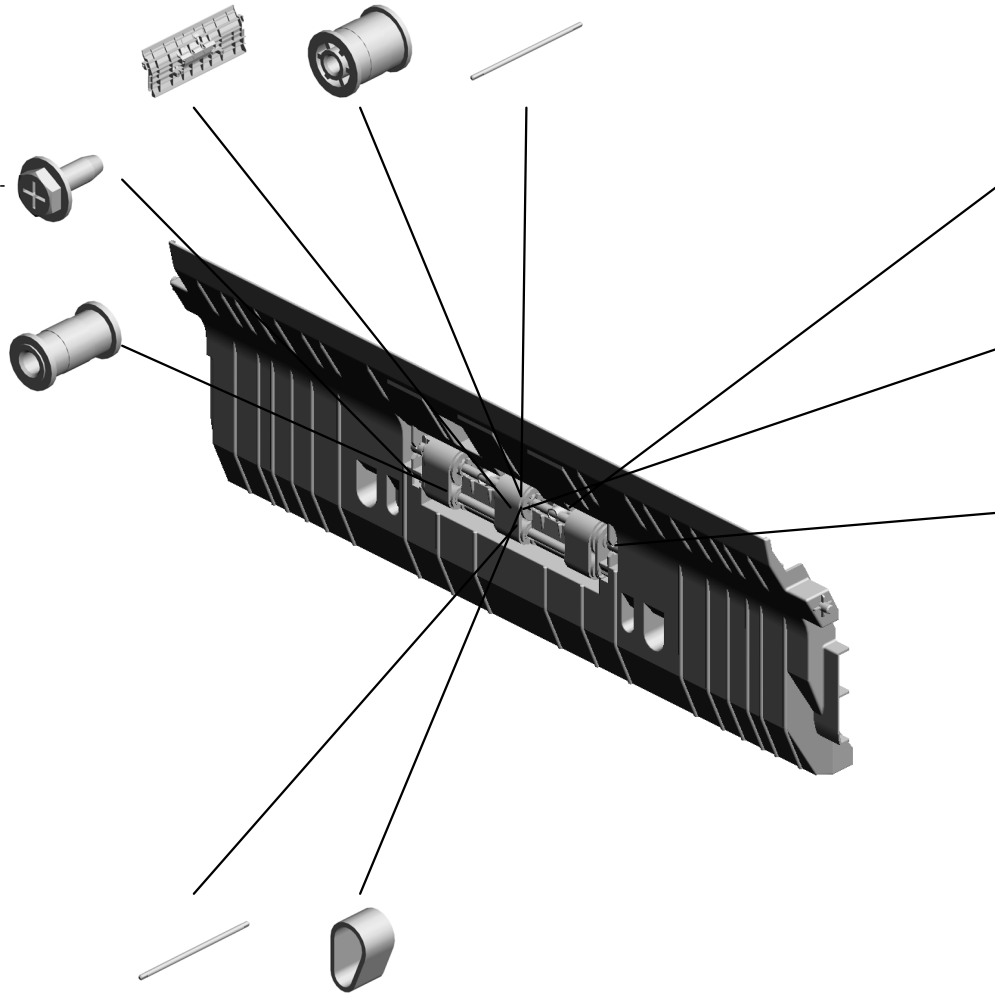
156.D2412674 GUIDE PLATE:VERTICAL TRANSPORT:NO.2:DRIVEN
 41.D0092573 (x3) PULLEY - VERTICAL TRANSPORT
 158.D2412678 SHAFT:FLAT CONVEYER BELT:DRIVEN



85.D0E32672 GUIDE PLATE:VERTICAL TRANSPORT:NO.2:DRIVEN:ASS'Y

4.04513008N (x2) TAPPING SCREW - M3X8

42.D0092574 (x3) PULLEY - IDLER



136.D1494777 (x2) COMPRESSION SPRING:FLAT CONVEYER BELT:DRIVEN

157.D2412676 HOLDER:DRIVEN:BELT

107.D1444489 (x2) STOPPER:DRIVEN ROLLER

47.D0392993 SHAFT:TRANSPORT BELT:PULLEY
 46.D0292677 (x3) TRANSPORT BELT:DRIVEN:VERTICAL TRANSPORT

U001	U002	U003	U004	U005	U006	U007	U008	U009	U010	U011	U012	U013	U014	U015	U016	U017	U018
------	------	------	------	------	------	------	------	------	------	------	------	------	------	------	------	------	------

U014.MAIN DRIVE

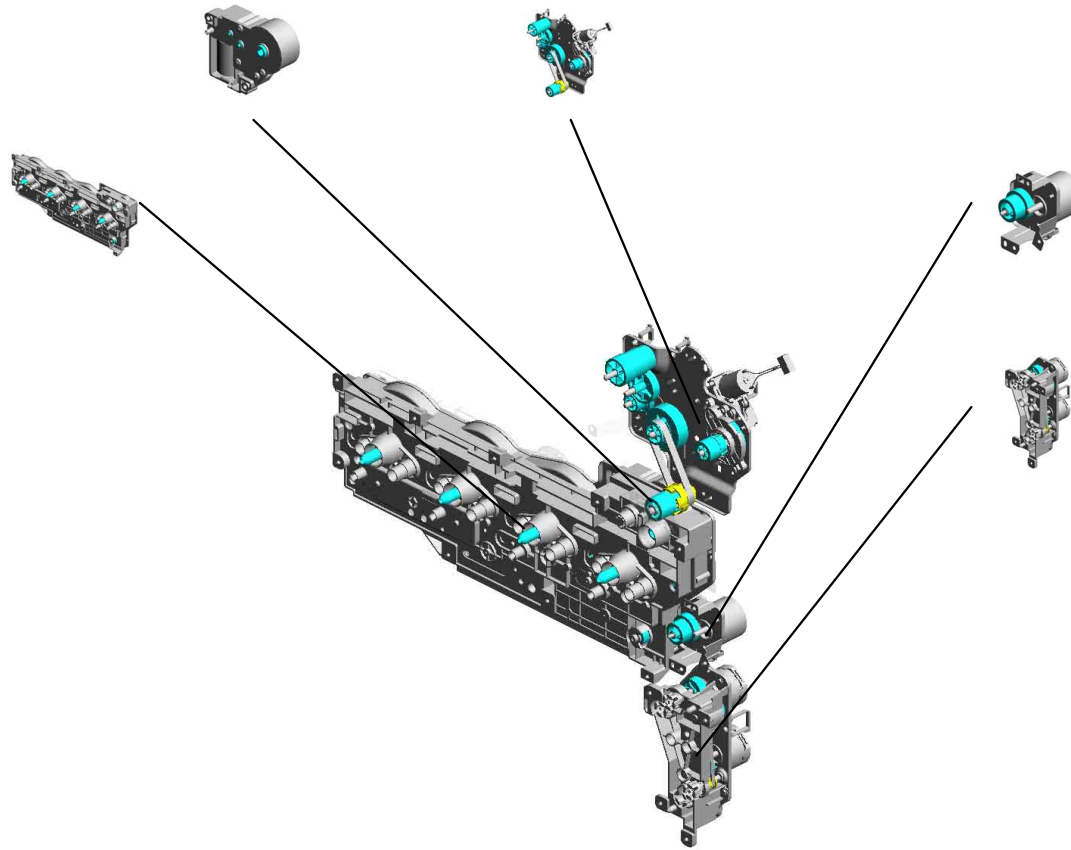
U014 S003
D0CH1199
DRIVE UNIT:ON-OFF:TRANS
FER:(M18)

U014 S002
D0DZ1357
DRIVE UNIT:FUSING/PAPER
EXIT UNIT:ASSY

U014 S001
D0DZ1117
DRIVE UNIT:ENGINE:ASSY

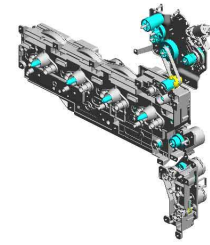
U014 S005
D1491351
DRIVE UNIT:REGISTRATION:
ASS'Y

U014 S004
D0E31399
DRIVE UNIT:PAPER FEED:AS
S'Y



U001	U002	U003	U004	U005	U006	U007	U008	U009	U010	U011	U012	U013	U014	U015	U016	U017	U018
------	------	------	------	------	------	------	------	------	------	------	------	------	------	------	------	------	------

U014 MAIN DRIVE



- 3.03603016N (x2) SCREW - M3X16
- 51.D1491394 GROUND PLATE:DRIVE UNIT:FUSING/PAPER EXIT UNIT
- 7.04583008N HEXAGON HEAD TAPPING SCREW:3X8
- 59.M0AJ1384 BRACKET:INPUT:USING DRIVE UNIT
- 8.04583010N (x7) HEXAGON HEAD TAPPING SCREW:3X10

33.D0BQ1113
GUIDE:HARNES:RIGHT



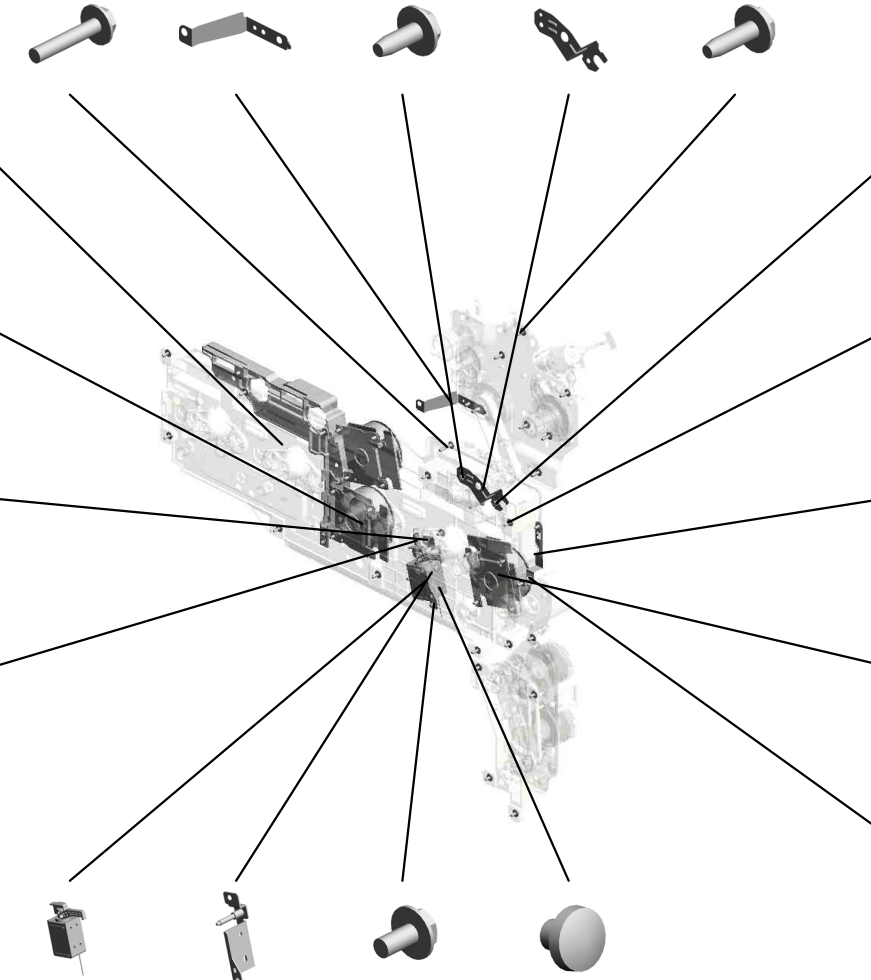
29.AX061001
DC BRUSHLESS MOTOR:40W:NMB:(M16)



2.03603006N
(x18)
SCREW - M3X6



43.D1471177
TENSION SPRING:ARM:MCPG



5.04543006Q
(x8)
TAPPING SCREW - M3X6



6.04543008Q
(x9)
TAPPING SCREW:3X8



49.D1491387
GROUND PLATE:DRIVE UNIT:ENGINE



30.AX061101
(x2)
DC BRUSHLESS MOTOR:25W:NMB:(M15/M17)



4.04513006N
(x2)
TAPPING SCREW - 3X6



- 38.D0E11107 DC SOLENOID:ASS'Y:(SOL4)
- 57.D2391109 BRACKET:DC SOLENOID:ASS'Y
- 52.D1771592 SCREW:M3X6
- 1.03530030N (x2) SCREW:M3X3

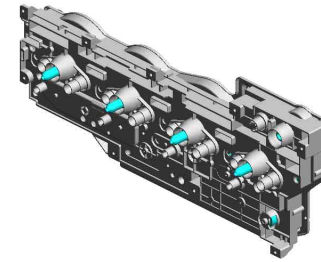
U001	U002	U003	U004	U005	U006	U007	U008	U009	U010	U011	U012	U013	U014	U015	U016	U017	U018
------	------	------	------	------	------	------	------	------	------	------	------	------	------	------	------	------	------

U014_S001
DRIVE UNIT:ENGINE:ASS'Y

2.03603006N
(x3)
SCREW - M3X6

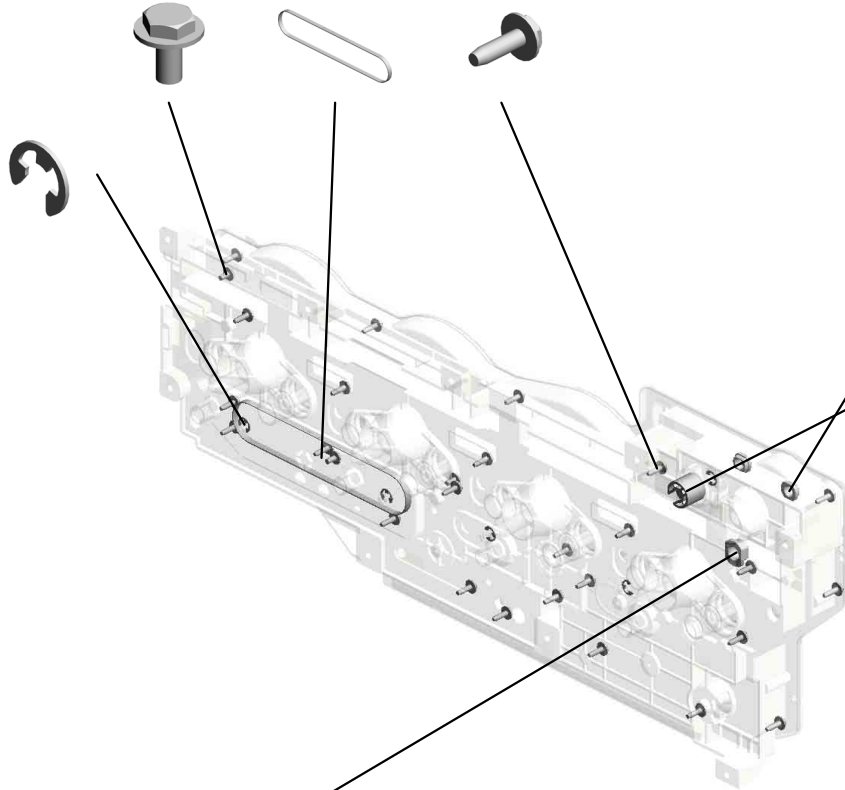
19.AA043634
TIMING BELT - 40S
2M296

8.04583010N
(x25)
HEXAGON HEAD T
APPING SCREW:3
X10



35.D0DZ1117
DRIVE UNIT:ENGINE:
E:ASSY

10.07200040E
(x6)
RETAINING RING -
M4



22.AA082172
(x2)
BUSHING: DIA6XDI
A10X4:EG-1

32.B2231163
JOINT:ON-OFF:INT
ERMEDIATE TRAN
SFER

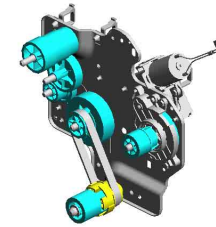
23.AA082175
PLAIN SHAFT BEA
RING:8X12X7

U001	U002	U003	U004	U005	U006	U007	U008	U009	U010	U011	U012	U013	U014	U015	U016	U017	U018
------	------	------	------	------	------	------	------	------	------	------	------	------	------	------	------	------	------

U014_S002

DRIVE UNIT:FUSING/PAPER EXIT UNIT:ASS'Y

1.03530030N (x2) SCREW:M3X3
 15.11050763 (x3) CLAMP:LWS-1211A
 37.D0DZ1381 DC MOTOR:2.0W:ASS'Y:(M36)



36.D0DZ1357
 DRIVE UNIT:FUSING/PAPER EXIT UNIT:ASS'Y

31.AX061222
 DC BRUSHLESS MOTOR:25W:NID:FUSING UNIT:(M33)



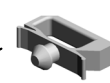
20.AA043777
 SYNCHRONOUS BELT:80S3M213



2.03603006N (x12) SCREW - M3X6



14.11050760 (x3) CLAMP:LWSM-0511A



58.D2411378
 GEAR:FUSING:NO. 3



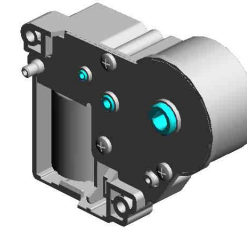
11.07200060E
 RETAINING RING - M6



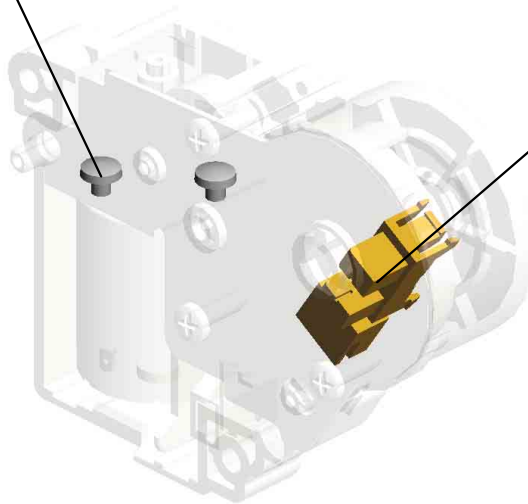
U001	U002	U003	U004	U005	U006	U007	U008	U009	U010	U011	U012	U013	U014	U015	U016	U017	U018
------	------	------	------	------	------	------	------	------	------	------	------	------	------	------	------	------	------

U014_S003
DRIVE UNIT:ON-OFF:TRANSFER:(M18)

1-03530030N
(x2)
SCREW:M3X3



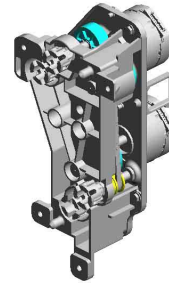
34.D0CH1199
DRIVE UNIT:ON-OFF
F:TRANSFER:(M18)



26.AW020234
PHOTOINTERRUP
TOR:GP1A173LCS
5F:(S5/S6/S8/S13/S
15/S23/S25/S32)

U001	U002	U003	U004	U005	U006	U007	U008	U009	U010	U011	U012	U013	U014	U015	U016	U017	U018
------	------	------	------	------	------	------	------	------	------	------	------	------	------	------	------	------	------

U014_S004
DRIVE UNIT:PAPER FEED:ASS'Y



42.D0E31399
DRIVE UNIT:PAPE
R FEED:ASS'Y

55.D2021193 (x2) STUD:PAPER FEE
D:GRIP:ASS'Y
2.03603006N (x9) SCREW - M3X6
54.D2021191 GEAR:GRIP:NO.1
9.06320100G (x2) PIN - 2X10MM
24.AA082193 (x2) PLAIN SHAFT BEA
RING:DIA4XDIA8X5

12.08050104 (x3) RETAINING RINGS
-E:SILENCER:DIA4

40.D0E31194 PULLEY:FEED:NO.
1:MECHANICAL RO
LLER CLUTCH:T

50.D1491392 FLANGE:PAPER F
EED:FEED

53.D2021143 (x4) JOINT:DRIVE

18.AA043623 TIMING BELT - B40
S2M180

39.D0E31187 HOUSING:DRIVE U
NIT:PAPER FEED:A
SS'Y_

21.AA080346 (x4) BUSHING:FLANGE
TYPE:DIA6

41.D0E31196 GEAR:FEED:NO.2:
MECHANICAL RO
LLER CLUTCH:T

10.07200040E (x8) RETAINING RING -
M4

25.AA082194 (x2) BUSHING:DIA6XDI
A10X4:EG-1J

45.D1491197 GEAR:IDLER:PAPE
R FEED:GRIP:NO.1

16.11050765 (x2) CLAMP:LWS-2218A

17.AA043000 SYNCHRONOUS B
ELT:40S3M192

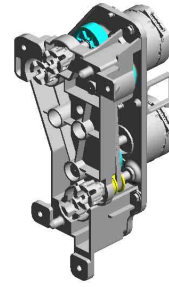
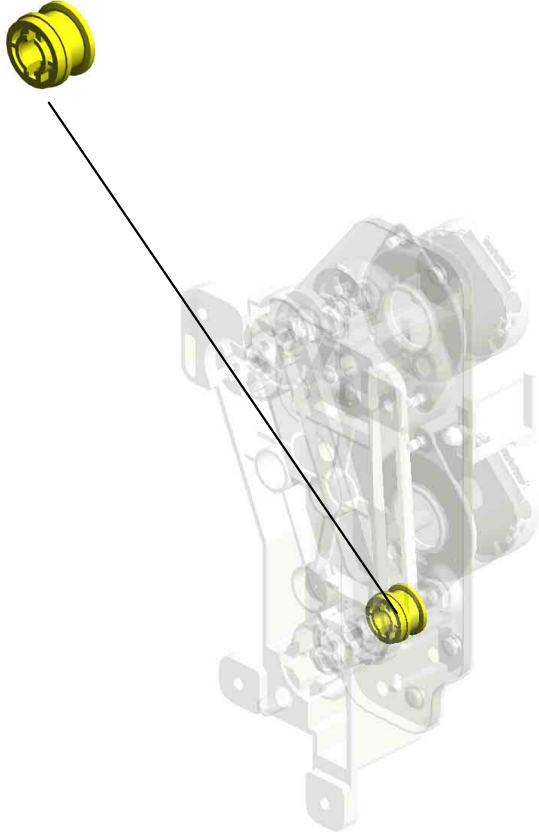
28.AX060507 (x2) DC MOTOR:ENCO
DER:NO:10W:GEA
R:(M2/M5/M6)

44.D1491195 GEAR:IDLER:PAPE
R FEED:FEED

U001	U002	U003	U004	U005	U006	U007	U008	U009	U010	U011	U012	U013	U014	U015	U016	U017	U018
------	------	------	------	------	------	------	------	------	------	------	------	------	------	------	------	------	------

U014_S004
DRIVE UNIT:PAPER FEED:ASS'Y

56.D2021195
PULLEY:GRIP:NO.2

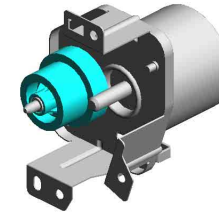


42.D0E31399
DRIVE UNIT:PAPE
R FEED:ASS'Y

U001	U002	U003	U004	U005	U006	U007	U008	U009	U010	U011	U012	U013	U014	U015	U016	U017	U018
------	------	------	------	------	------	------	------	------	------	------	------	------	------	------	------	------	------

U014_S005
DRIVE UNIT:REGISTRATION:ASS'Y

48.D1491355 47.D1491352
GEAR:REGISTRATI BRACKET:DRIVE U
ON:NO.1 NIT:REGISTRATIO
N:ASS'Y



46.D1491351
DRIVE UNIT:REGIS
TRATION:ASS'Y

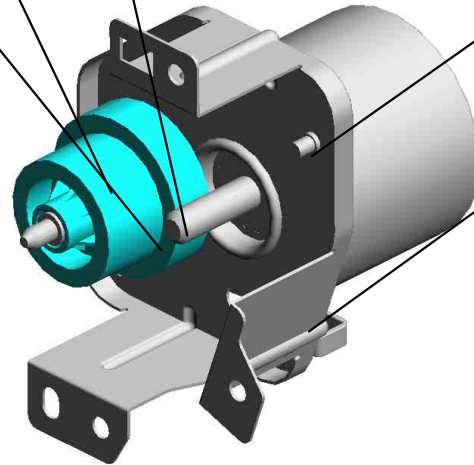
2.03603006N
(x2)
SCREW - M3X6



27.AX060435
DC MOTOR:GEAR:
10W:BRUSHLESS:(
M7)



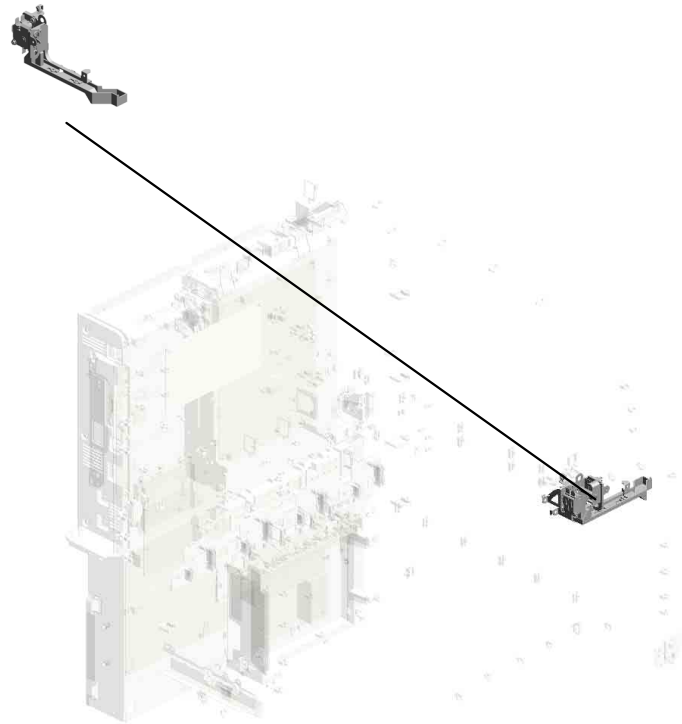
13.11050759
CLAMP:LWSM-060
5A



U001	U002	U003	U004	U005	U006	U007	U008	U009	U010	U011	U012	U013	U014	U015	U016	U017	U018
------	------	------	------	------	------	------	------	------	------	------	------	------	------	------	------	------	------

U015.ELECTRICAL

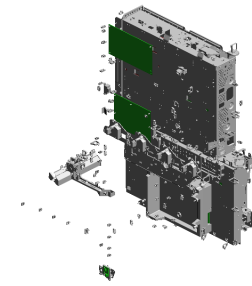
U015 S001
D0BQR041
SAFETY SWITCH:ASS'Y



U001	U002	U003	U004	U005	U006	U007	U008	U009	U010	U011	U012	U013	U014	U015	U016	U017	U018
------	------	------	------	------	------	------	------	------	------	------	------	------	------	------	------	------	------

U015 ELECTRICAL

- 10.04543020Q (x2) TAPPING SCREW:: 3X20
- 11.04583008N (x24) HEXAGON HEAD TAPPING SCREW:3 X8
- 15.11036266 CONNECTOR:16R G022-3218
- 23.11050726 CLAMPS:WES-221 7
- 2.03603006N (x2) SCREW - M3X6



1.03530060N
BIND SCREW - M3 X6

6.04543006N
(x12)
TAPPING SCREW:
ROUND POINT:3X6

20.11050723
(x4)
CLAMPS:WES-050 7

14.11036252
CONNECTOR:16R-GRM-DH3GB-RG-A

8.04543008Q
(x4)
TAPPING SCREW:
3X8

13.11035890
CONNECTOR:QR/P 17-RC-14S

7.04543006Q (x49)
TAPPING SCREW - M3X6

4.04513008N (x14)
TAPPING SCREW - M3X8

22.11050725 (x4)
CLAMPS:WES-111 7

9.04543010Q (x5)
TAPPING SCREW:
3X10

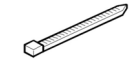
18.11050488 (x3)
HARNESS CLAMP

21.11050724 (x3)
CLAMPS:WES-121 0

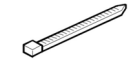
19.11050692 (x5)
CLAMP:LES-0503

3.04513006N (x27)
TAPPING SCREW - 3X6

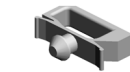
24.11050758 (x9)
CLAMP:LWSM-030 6A



16.11050042 (x207)
WIRE BAND



17.11050046 (x91)
HARNESS BAND



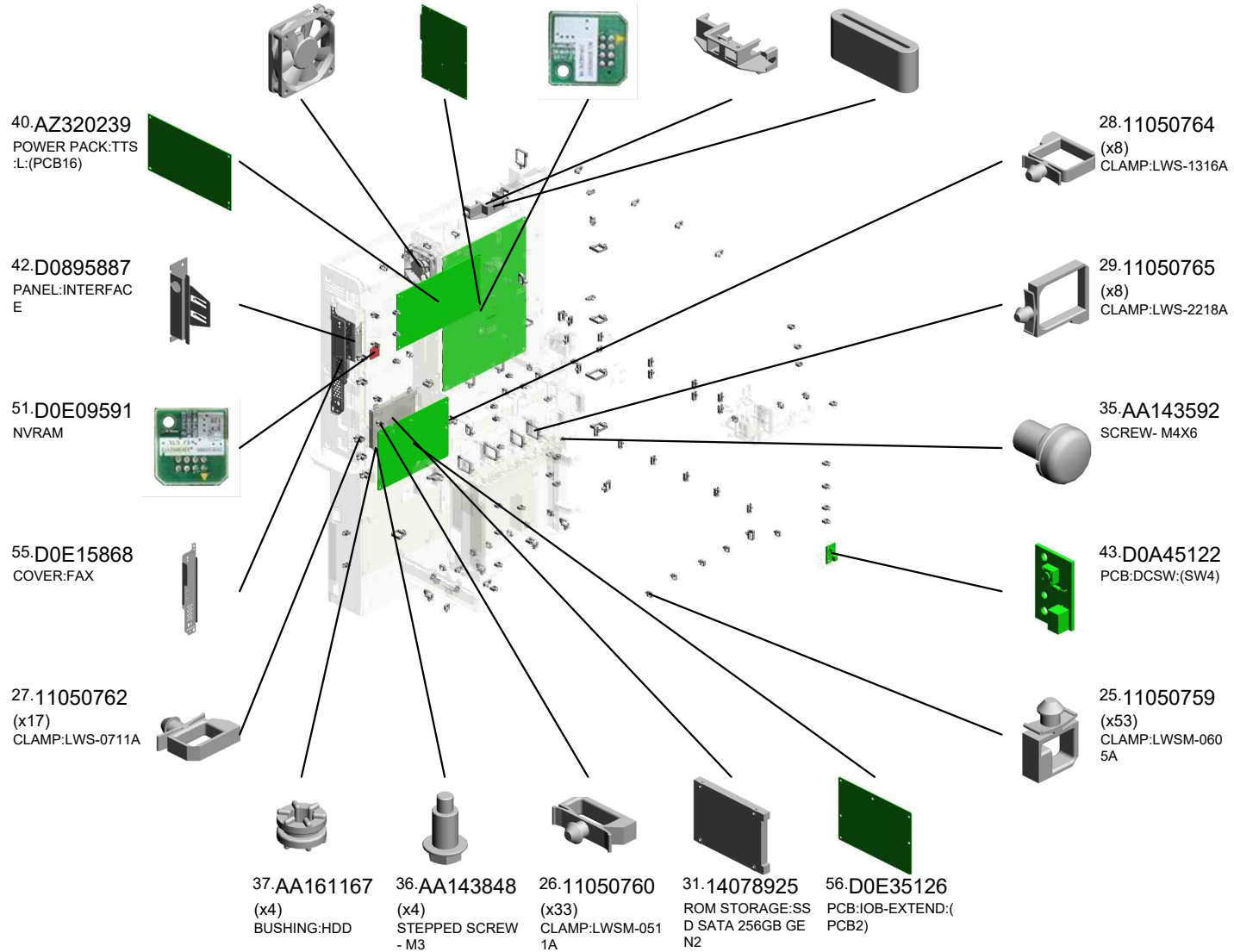
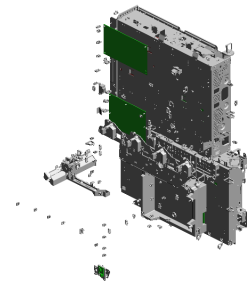
26.11050760
CLAMP:LWSM-051 1A

11.04583008N (x 5)
HEXAGON HEAD TAPPING SCREW:3X 8

U001	U002	U003	U004	U005	U006	U007	U008	U009	U010	U011	U012	U013	U014	U015	U016	U017	U018
------	------	------	------	------	------	------	------	------	------	------	------	------	------	------	------	------	------

U015 ELECTRICAL

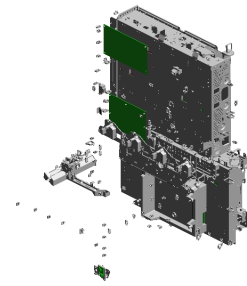
- 38.AX640236 FAN:MM60X15:(FA N4)
- 53.D0E15114 BICU:ASS'Y:(PCB1 0)
- 48.D0C95150 PCB:SMB:SERVICE
- 44.D0BQ5802 GUIDE:HARNES: RACK
- 32.16072525 FERRITE CORE:K3 FF 35.00X14.60X7. 70X1.40



U001	U002	U003	U004	U005	U006	U007	U008	U009	U010	U011	U012	U013	U014	U015	U016	U017	U018
------	------	------	------	------	------	------	------	------	------	------	------	------	------	------	------	------	------

U015 ELECTRICAL

- 81.D2415801 COVER:RACK:REA
R
- 82.D2415803 GUIDE:HARNESS:
C/T BOX
- 62.D0E35816 STAY:RACK:LOWE
R
- 80.D2415800 RACK:RIGHT:AUXI
LIARY
- 60.D0E35810 BRACKET:RACK:U
PPER



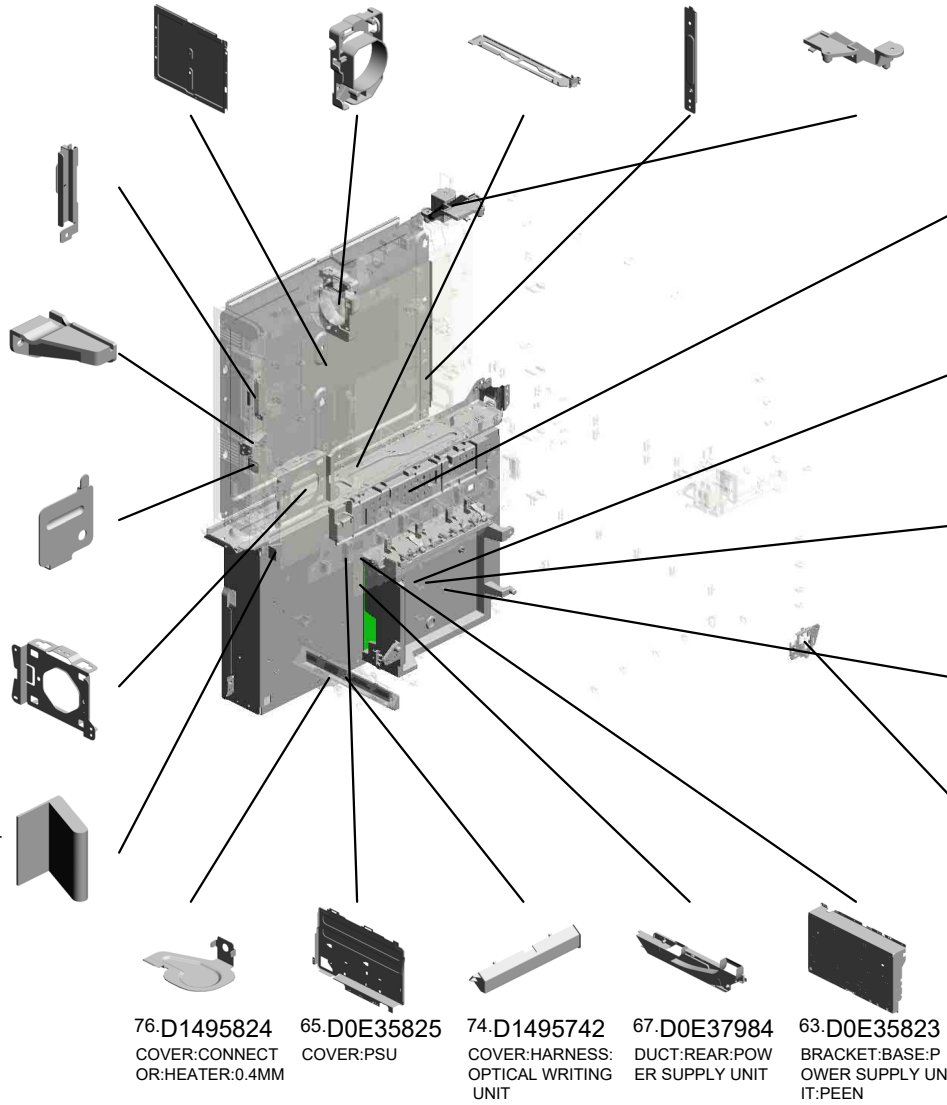
64.D0E35824
COVER:SD-CARD

77.D2395889
RAIL:FAX

75.D1495776
COVER:USB:SMAL
L

69.D1465786
BRACKET:HDD

66.D0E35886
GASKET:32TA L15-
18(AZD6)H L=20



61.D0E35814
GUIDE:HARNESS:
RACK:LOWER

57.D0E35156
POWER PACK:CB:(
PCB19)
202309-04

79.D2415764
COVER:POWER P
ACK:CB

59.D0E35765
CASE:POWER PAC
K:CB

78.D2415738
BRACKET:MAIN S
WITCH

76.D1495824
COVER:CONNECT
OR:HEATER:0.4MM

65.D0E35825
COVER:PSU

74.D1495742
COVER:HARNESS:
OPTICAL WRITING
UNIT

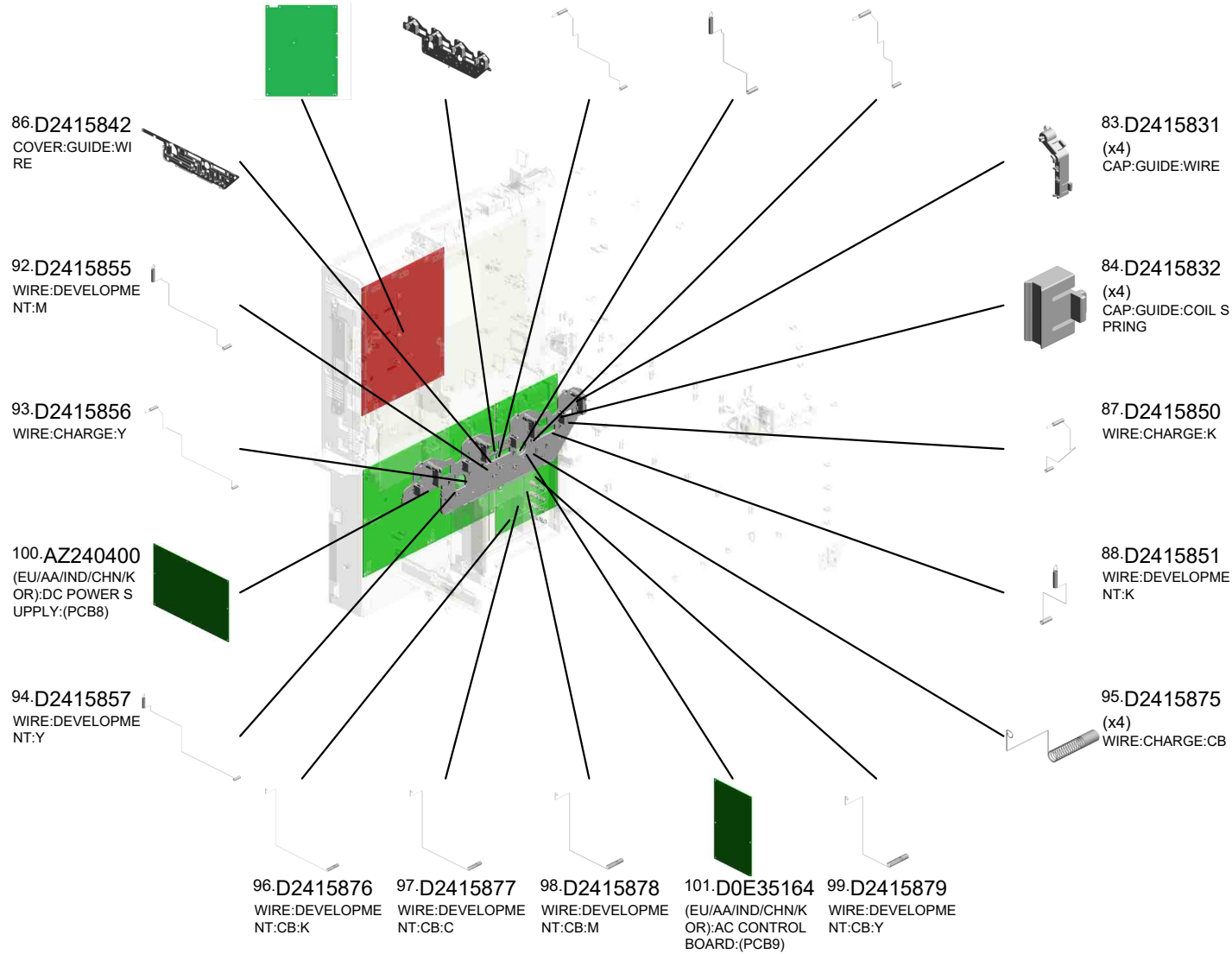
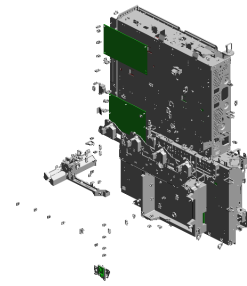
67.D0E37984
DUCT:REAR:POW
ER SUPPLY UNIT

63.D0E35823
BRACKET:BASE:P
OWER SUPPLY UN
IT:PEEN

U001	U002	U003	U004	U005	U006	U007	U008	U009	U010	U011	U012	U013	U014	U015	U016	U017	U018
------	------	------	------	------	------	------	------	------	------	------	------	------	------	------	------	------	------

U015 ELECTRICAL

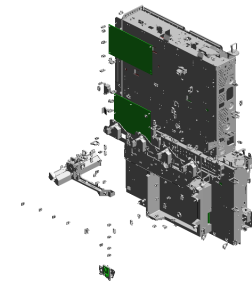
102.D0E05763 (CHN):(IM C2010/G S4020c):PCB:CTL:SERVICE:IMC2010:(PCB11)
 85.D2415841 BASE:GUIDE:WIRE
 91.D2415854 WIRE:CHARGE:M
 90.D2415853 WIRE:DEVELOPMENT:C
 89.D2415852 WIRE:CHARGE:C



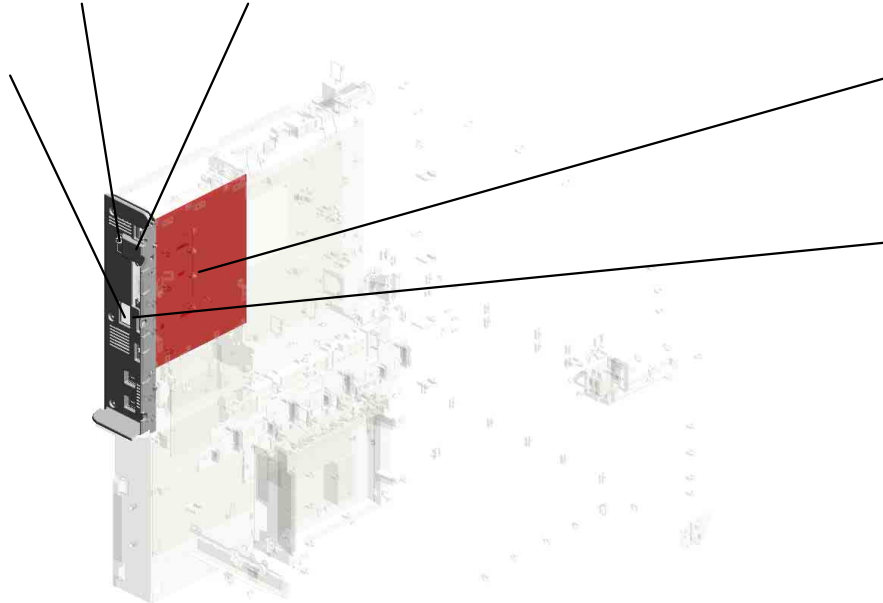
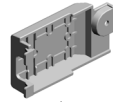
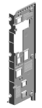
U001	U002	U003	U004	U005	U006	U007	U008	U009	U010	U011	U012	U013	U014	U015	U016	U017	U018
------	------	------	------	------	------	------	------	------	------	------	------	------	------	------	------	------	------

U015 ELECTRICAL

107.G1045141 104.D0E1R481
(CHN):KNOB SCRE (CHN):COVER:OUT
W:M3 ER:WIFI:OPTION



105.D0E1R484
(CHN):COVER:INT
ERFACE:WIFI:OPTI
ON



103.D0E05764
(CHN):(IM C2510/G
S4025c):PCB:CTL:S
ERVICE:IMC2510:(
PCB11)



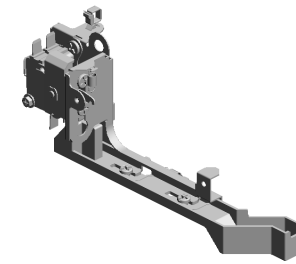
106.D0E1R485
PANEL:CONTROL
BOARD:WIFI:OPTI
ON



U001	U002	U003	U004	U005	U006	U007	U008	U009	U010	U011	U012	U013	U014	U015	U016	U017	U018
------	------	------	------	------	------	------	------	------	------	------	------	------	------	------	------	------	------

U015_S001
SAFETY SWITCH:ASS'Y

- 30.12042612 (x2) MICRO SWITCH:D3 V-16506-3C25:(SW 2)
- 41.B2231317 (x3) SCREW
- 34.AA061128 TENSION SPRING: SAFETY SWITCH:R IGH
- 25.11050759 CLAMP:LWSM-060 5A

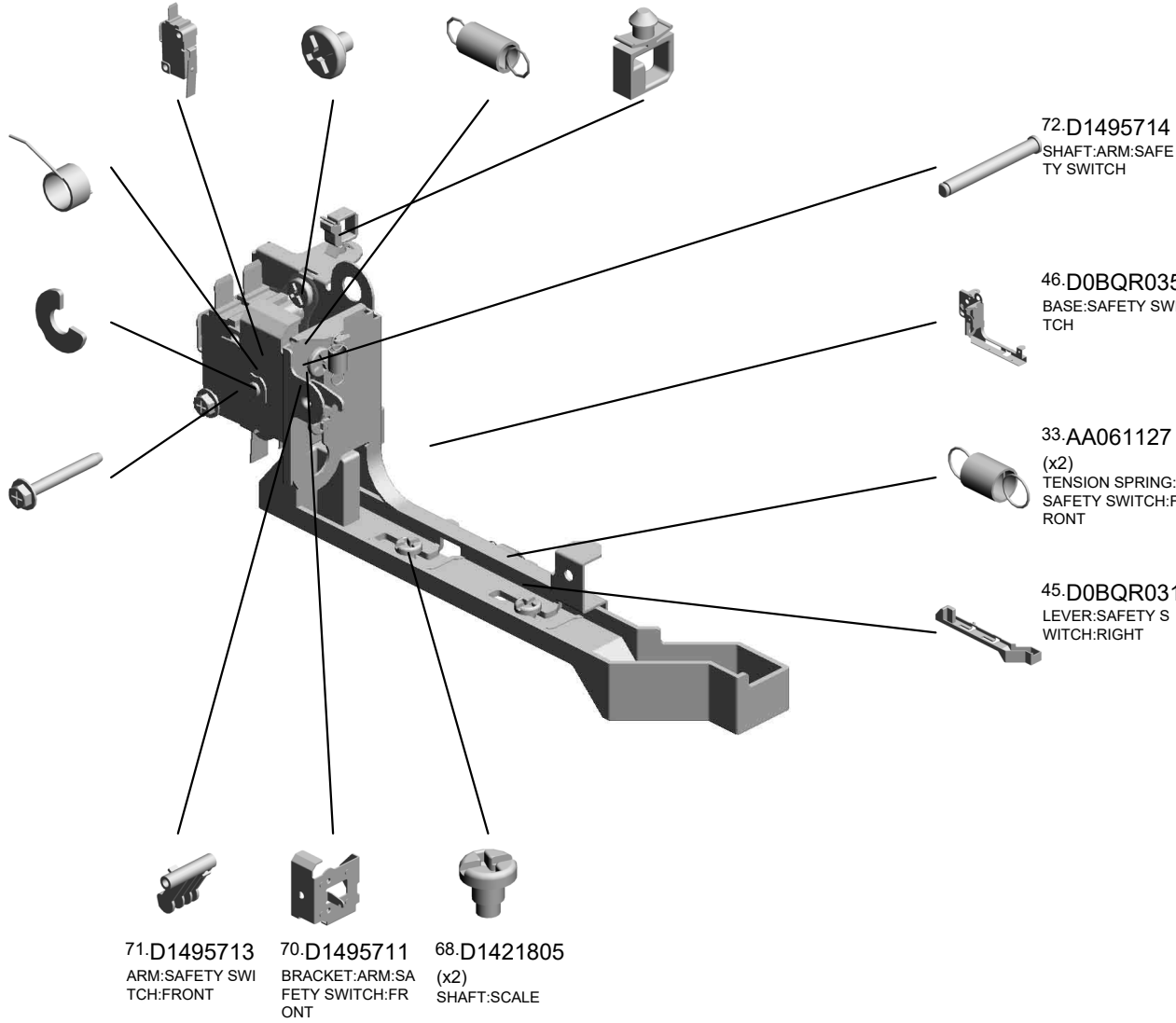


47.D0BQR041
SAFETY SWITCH:ASS'Y

73.D1495718
TORSION SPRING: SAFETY SWITCH

12.08050103
RETAINING RINGS -E:SILENCER:DIA3

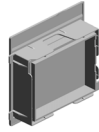
5.04513025N
TAPPING SCREW: M3X25



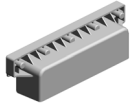
U001	U002	U003	U004	U005	U006	U007	U008	U009	U010	U011	U012	U013	U014	U015	U016	U017	U018
------	------	------	------	------	------	------	------	------	------	------	------	------	------	------	------	------	------

U016.MAIN FRAME

U016 S003
D0E37935
CAP:FILTER:ASS'Y



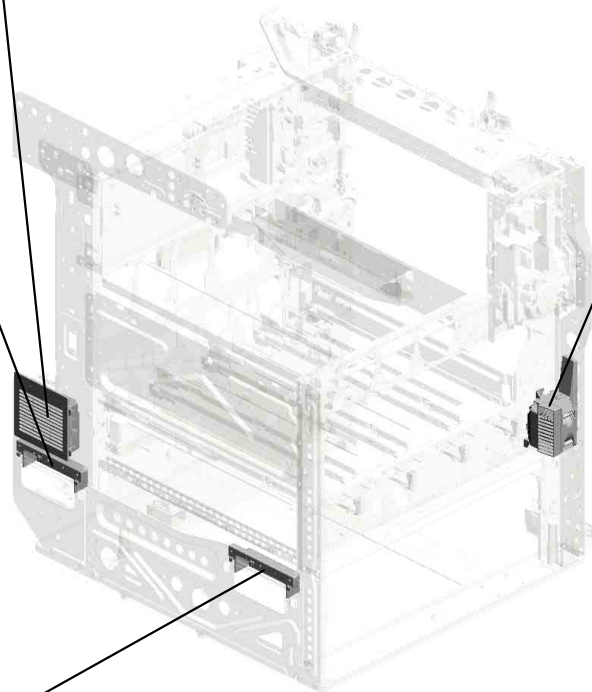
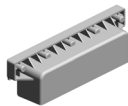
U016 S002
D0E31099
COVER:GRIP:LEFT



U016 S004
D0E37920
COVER:FAN:DEVELOPMENT
:RIGHT:ASS'Y

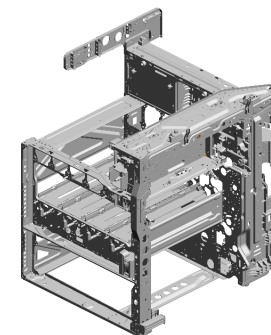


U016 S001
D0E31099
COVER:GRIP:LEFT



U001	U002	U003	U004	U005	U006	U007	U008	U009	U010	U011	U012	U013	U014	U015	U016	U017	U018
------	------	------	------	------	------	------	------	------	------	------	------	------	------	------	------	------	------

U016 MAIN FRAME



- 9.08025299 TAPPING SCREW - M3X8
- 16.AX640257 (x2) DC FAN MOTOR:M M80X25:(FAN1/FAN 5)
- 5.04533008N BINDING SELF TAPPING SCREW:3X8
- 11.11024559 (x2) CONNECTOR - 3P
- 14.AA080346 (x2) BUSHING:FLANGE TYPE:DIA6

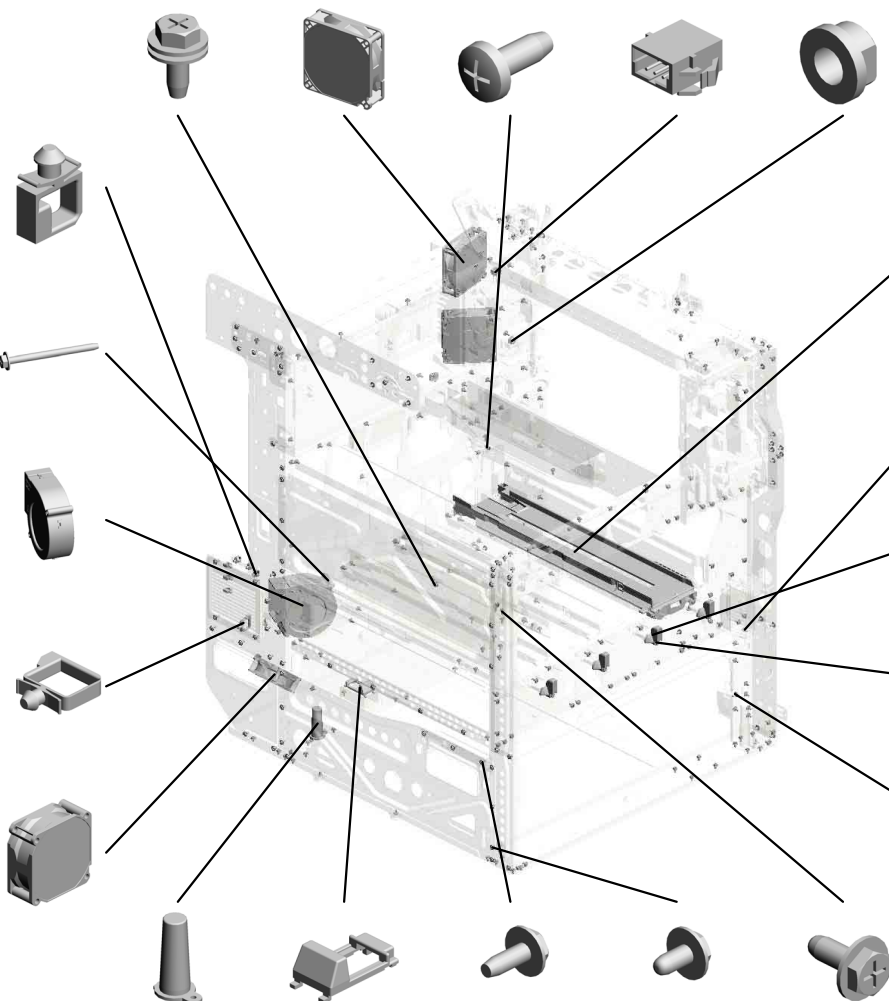
- 12.11050759 (x7) CLAMP:LWSM-060 5A

- 10.08025328 (x2) HEXAGON HEAD TAPPING SCREW:3 X40

- 17.AX650065 DC FAN MOTOR:SI ROCCO:DC24V:PW M:(FAN3)

- 13.11050764 CLAMP:LWS-1316A

- 15.AX640256 DC FAN MOTOR:A XIAL:MM60:25MM:(FAN2/FAN6)



- 23.D0E31341 RAIL:PCU:K

- 3.04513006N (x8) TAPPING SCREW - 3X6

- 21.D0E31090 (x4) LEVER:LOCK:PCU

- 1.03603006N (x4) SCREW - M3X6

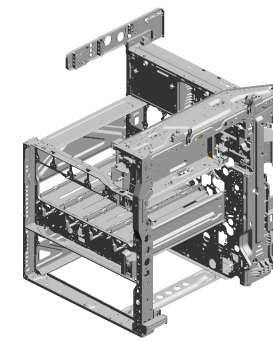
- 4.04513008N (x2) TAPPING SCREW - M3X8

- 19.B2381089 COVER - POSITIONING PIN
- 18.B2381088 COVER - CONNECTOR
- 8.04583008N (x65) HEXAGON HEAD TAPPING SCREW:3 X8
- 6.04543006Q (x222) TAPPING SCREW - M3X6
- 7.04543008Q (x16) TAPPING SCREW: 3X8

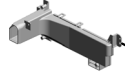
U001	U002	U003	U004	U005	U006	U007	U008	U009	U010	U011	U012	U013	U014	U015	U016	U017	U018
------	------	------	------	------	------	------	------	------	------	------	------	------	------	------	------	------	------

U016 MAIN FRAME

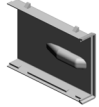
- 45.D1497955 DUCT:SUPPLY:FAN:UPPER
- 46.D1497956 DUCT:SUPPLY:FAN:LOWER
- 48.D2417941 DUCT:EXHAUST:UPPER:A
- 49.D2417942 DUCT:EXHAUST:UPPER:B
- 50.D2417943 DUCT:EXHAUST:UPPER:C



36.D1477952
DUCT:SUPPLY:B



35.D1477951
DUCT:SUPPLY:A



37.D1477956
DUCT:EXHAUST:DRIVE:A



34.D1175303
THERMISTOR:(S33)



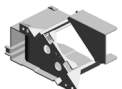
38.D1477957
DUCT:EXHAUST:DRIVE:B



32.D0E37983
BRACKET:FAN:POWER SUPPLY UNIT



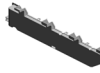
31.D0E37982
DUCT:POWER SUPPLY UNIT



33.D0E37985
SEAL:RAIL:PCU:Y



43.D1497932
DUCT:PCU:EXHAUST



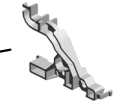
25.D0E31343
RAIL:PCU:M



29.D0E37953
DUCT:SUPPLY:C



47.D1497986
GUIDE:THERMISTOR



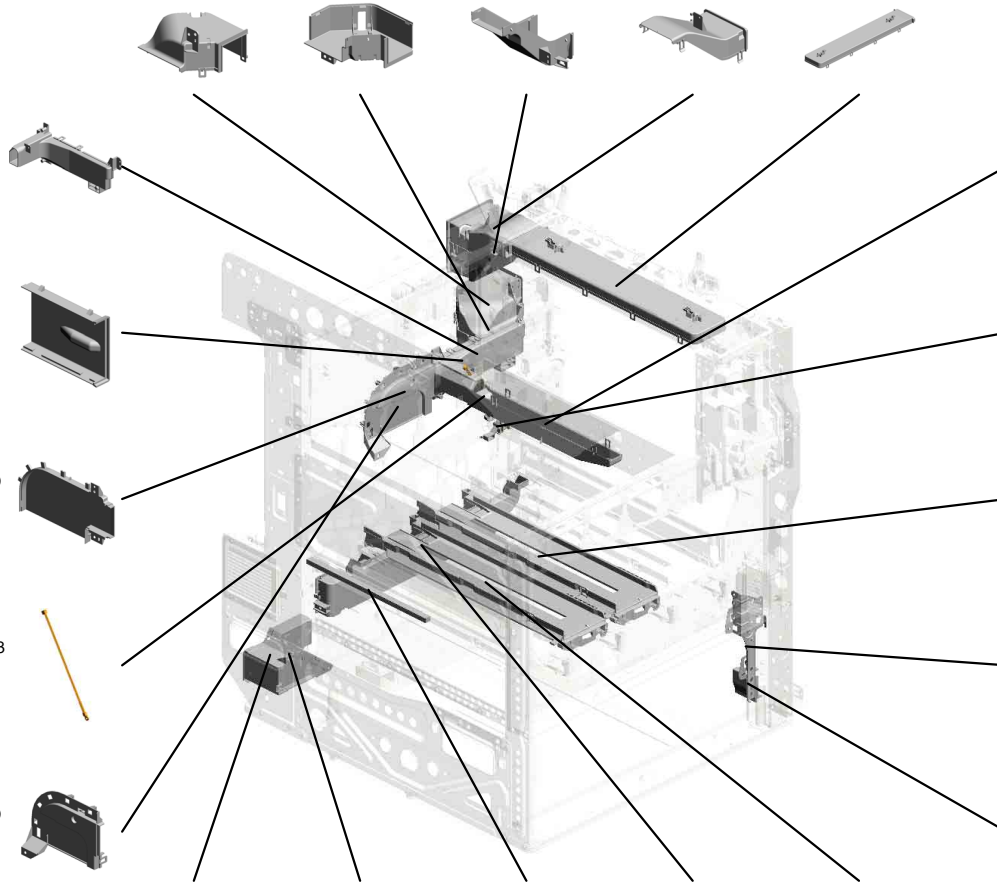
24.D0E31342
RAIL:PCU:C



41.D1492795
BRACKET:PAPER FEED UNIT:PEEN

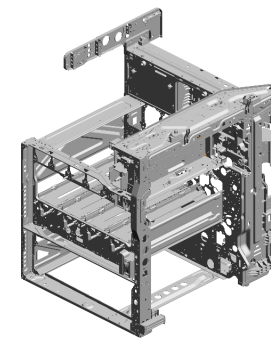


40.D1491338
GUIDE PLATE:PAPER FEED TABLE:FRONT



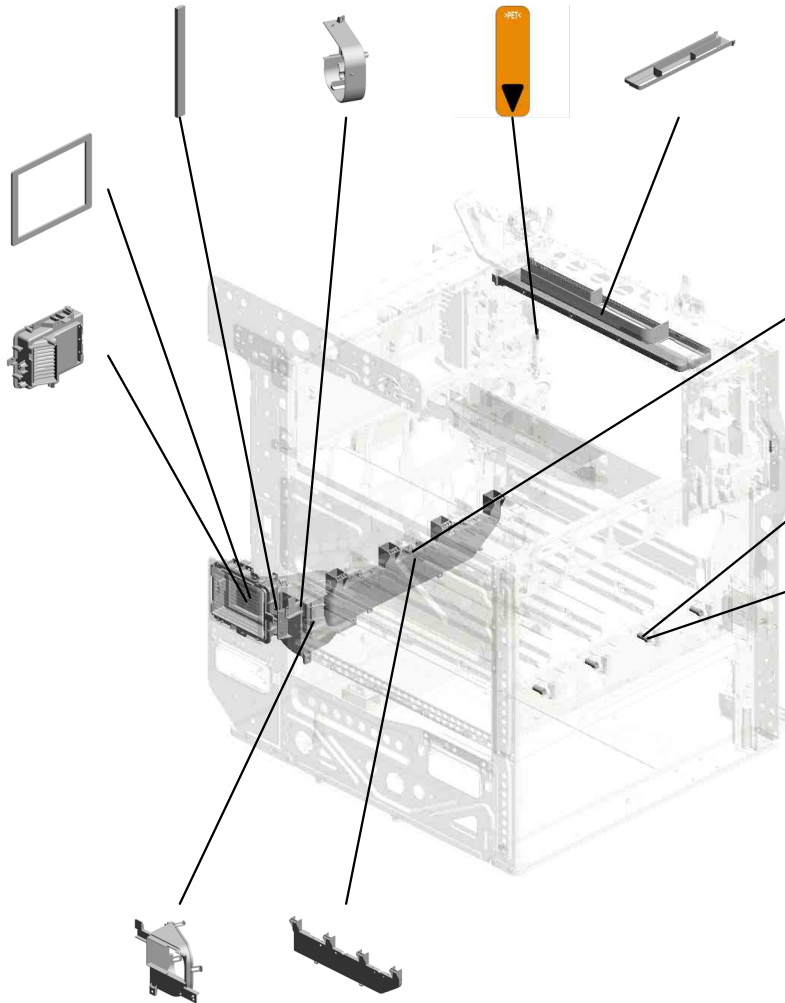
U016 MAIN FRAME

- 61.M0AJ7995 SEAL:DUCT:DEVELOPMENT:EXHAUST
- 58.M0AJ7992 DUCT:DEVELOPMENT:EXHAUST:B
- 54.GA003969 (x2) DECAL:POSITIONING DISPLAY:FUSION UNIT:MAIN
- 51.D2417944 DUCT:EXHAUST:UPPER:D



- 60.M0AJ7994 SEAL:CAP:FILTER

- 59.M0AJ7993 DUCT:DEVELOPMENT:EXHAUST:C



- 53.D2417984 DUCT:DEVELOPMENT:REAR:B

- 56.M0AJ1093 (x4) COMPRESSION SPRING:LOCK:PCU

- 55.M0AJ1092 (x4) CAM:LOCK:PCU

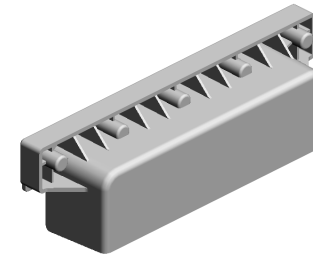
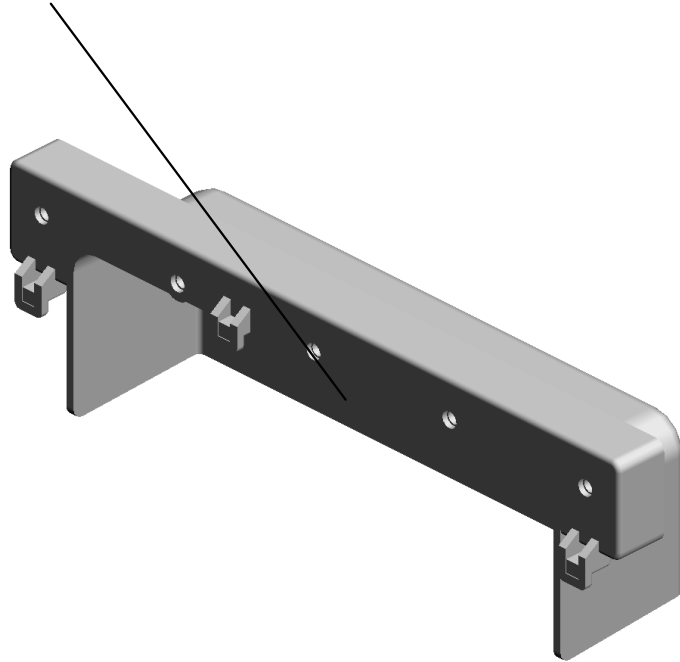
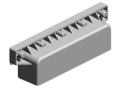
- 57.M0AJ7991 DUCT:DEVELOPMENT:EXHAUST:A

- 52.D2417983 DUCT:DEVELOPMENT:REAR:A

U001	U002	U003	U004	U005	U006	U007	U008	U009	U010	U011	U012	U013	U014	U015	U016	U017	U018
------	------	------	------	------	------	------	------	------	------	------	------	------	------	------	------	------	------

U016_S001
COVER:GRIP:LEFT

39.D1491099
COVER:GRIP:LEFT

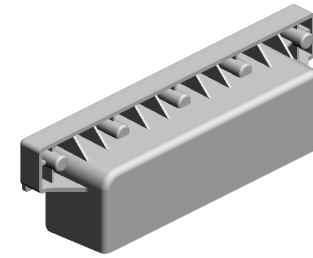
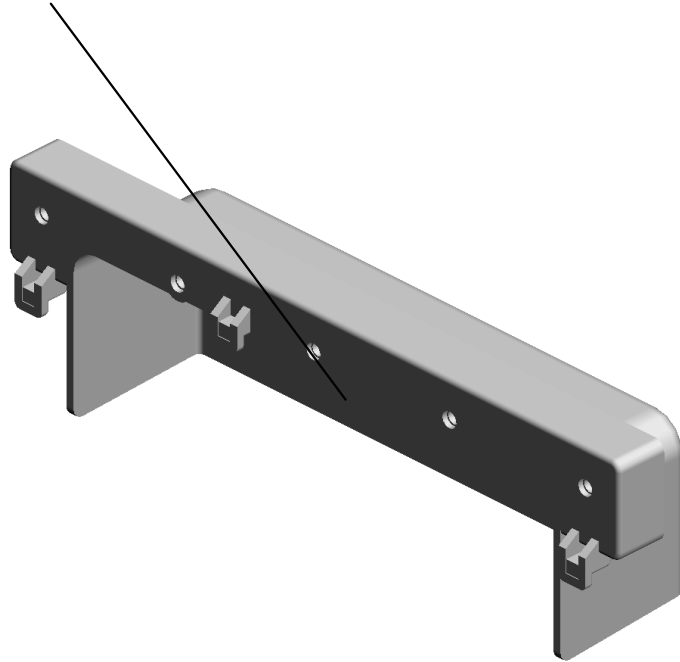
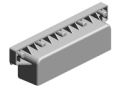


22.D0E31099
COVER:GRIP:LEFT

U001	U002	U003	U004	U005	U006	U007	U008	U009	U010	U011	U012	U013	U014	U015	U016	U017	U018
------	------	------	------	------	------	------	------	------	------	------	------	------	------	------	------	------	------

U016_S002
COVER:GRIP:LEFT

39.D1491099
COVER:GRIP:LEFT



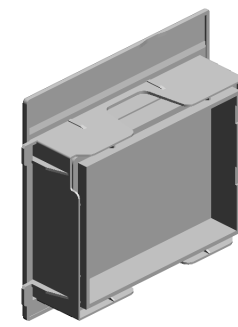
22.D0E31099
COVER:GRIP:LEFT

U001	U002	U003	U004	U005	U006	U007	U008	U009	U010	U011	U012	U013	U014	U015	U016	U017	U018
------	------	------	------	------	------	------	------	------	------	------	------	------	------	------	------	------	------

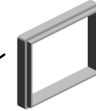
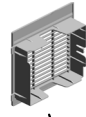
U016_S003
CAP:FILTER:ASS'Y

44.D1497938
OZONE FILTER

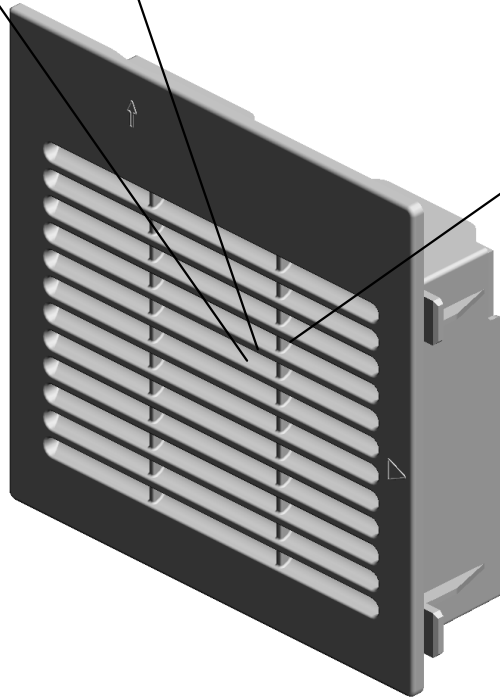
28.D0E37936
CAP:LOUVER:FILTER:LEFT



27.D0E37935
CAP:FILTER:ASS'Y



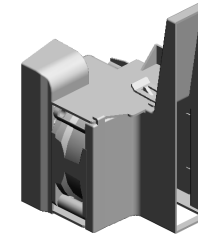
20.D0BQ7937
FILTER:PREVENTF
ENCE:13.5



U001	U002	U003	U004	U005	U006	U007	U008	U009	U010	U011	U012	U013	U014	U015	U016	U017	U018
------	------	------	------	------	------	------	------	------	------	------	------	------	------	------	------	------	------

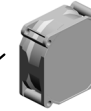
U016_S004
COVER:FAN:DEVELOPMENT:RIGHT:ASS'Y

42.D1497923
DUCT:DEVELOPM
ENT:RIGHT LOWE
R

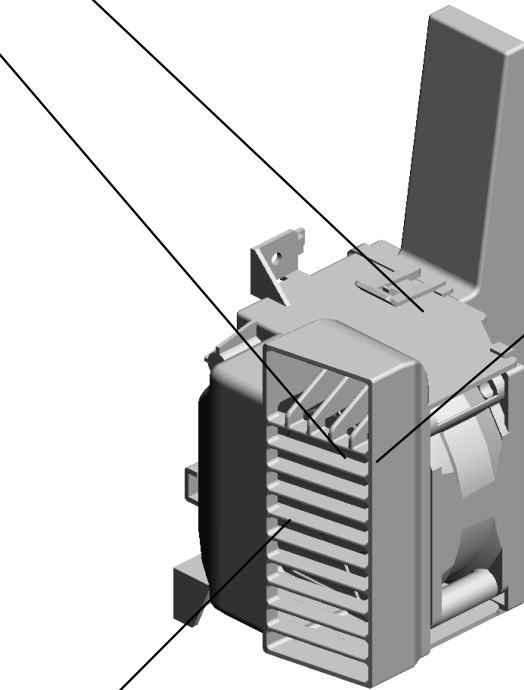


26.D0E37920
COVER:FAN:DEVE
LOPMENT:RIGHT:A
SS'Y

30.D0E37968
COVER:FAN:DEVE
LOPMENT:RIGHT L
OWER



15.AX640256
DC FAN MOTOR:A
XIAL:MM60:25MM:(
FAN2/FAN6)



2.04503035N
(x2)
TAPPING SCREW:
3X35

U001	U002	U003	U004	U005	U006	U007	U008	U009	U010	U011	U012	U013	U014	U015	U016	U017	U018
------	------	------	------	------	------	------	------	------	------	------	------	------	------	------	------	------	------

U017 ACCESSORIES

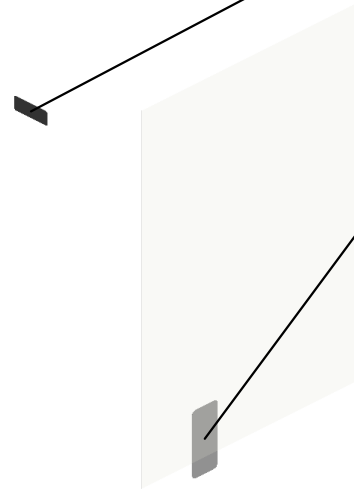
10.D0E36864 (x2)
(CHN|(IM C2010/C2510)/NA/EU/AA/TW/IND/KOR);PLATE:LOGOTYPE:RIC

26.D0E36865 (x2)
(AA|(IM C2010)/CHN[GS4020c/GS4025c]);PLATE:LOGOTYPE:GESTETNER



12.D0E36876 (IM C2510);PLATE:MODEL NAME PLATE:C2510

IM C2510



22.D0E36852 (x4)
(EU/TWN/CHN);DECAL:MAIN SWITCH:ON-STANDBY



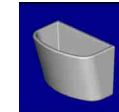
37.D0E36863 (x4)
(CHN);DECAL:INKJET:MANUAL FEED



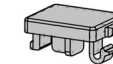
1.08050103 (x4)
RETAINING RINGS
-E:SILENCER:DIAS



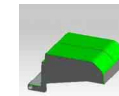
3.B0651374 (x4)
CLOTH - DF EXPOSURE GLASS



4.D0E31331 (x4)
HOLDER:GLASS:CLEANER:ASS'Y



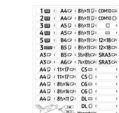
5.D0E31788 (x8)
CAP:COVER:POSITIONING



6.D0E34474 (x4)
END FENCE:TRAY:EXIT

IM C2010

11.D0E36875 (IM C2010);PLATE:MODEL NAME PLATE:C2010



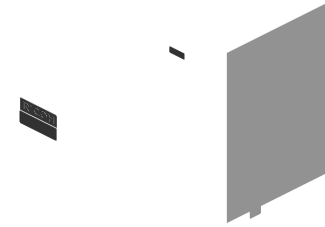
13.D0E36902 (x4)
DECAL:SIZE INDICATION:PAPER TRAY



18.D1494474 (x4)
LINK:END FENCE:TRAY:EXIT

U001	U002	U003	U004	U005	U006	U007	U008	U009	U010	U011	U012	U013	U014	U015	U016	U017	U018
------	------	------	------	------	------	------	------	------	------	------	------	------	------	------	------	------	------

U017
ACCESSORIES



19.D1771302
(x4)
CLEANER:SHIELD
GLASS:ASSY

32.D0E36767
(x4)
(CHN):DECAL:CAU
TION:ORIGINAL:CH
INESE



33.D0E36847
(GS4020c):PLATE:
MODEL NAME PLA
TE:GS4020C

34.D0E36848
(GS4025c):PLATE:
MODEL NAME PLA
TE:GS4025C



35.D0E36857
(x4)
(CHN):DECAL:INKJ
ET:TRAY:NO.1

36.D0E36858
(x4)
(CHN):DECAL:INKJ
ET:CHN:PAPER FE
ED

31.11500509(x 4)
(CHN):POWER SUPPLY CORD:250V:10
A

U001	U002	U003	U004	U005	U006	U007	U008	U009	U010	U011	U012	U013	U014	U015	U016	U017	U018
------	------	------	------	------	------	------	------	------	------	------	------	------	------	------	------	------	------

U018.HEATER

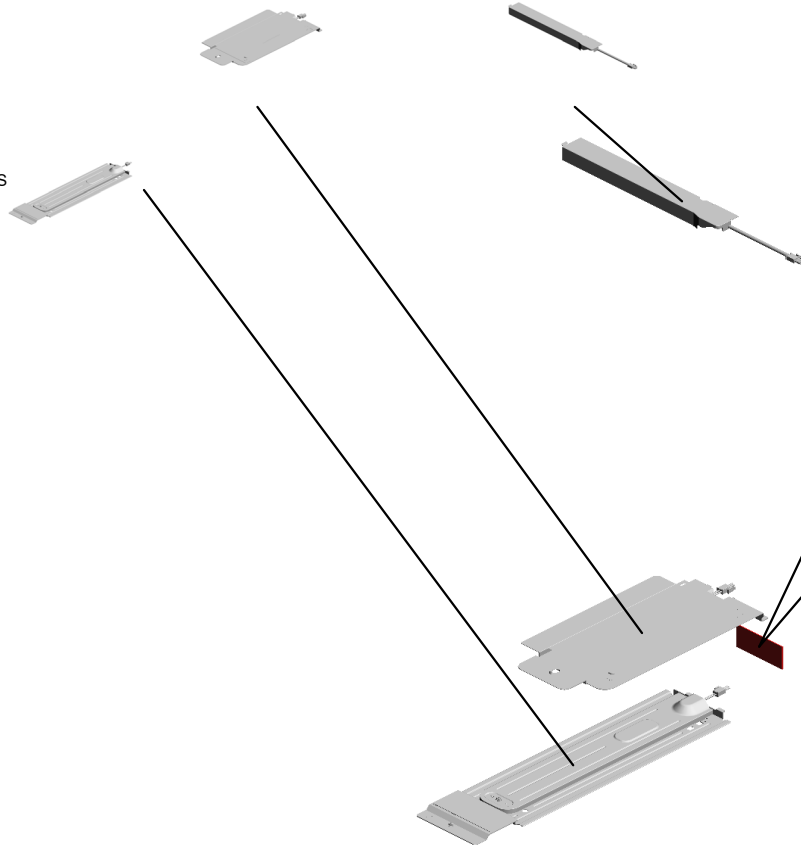
U018 S002
D3G32202
(EU/AA/IND/CHN/KOR);HEATER:PHOTOCONDUCTOR:ASSY

U018 S001
D0E00072
HEATER:SCANNER:220/240V:ASSY

U018 S004
D0CH2542
HEATER:DEHUMIDIFIER:ASSY

U018 S003
D3G36650
(EU/AA/IND/CHN/KOR);ELECTRICAL COMPONENTS SECTION:SCANNER_200V:ASSY

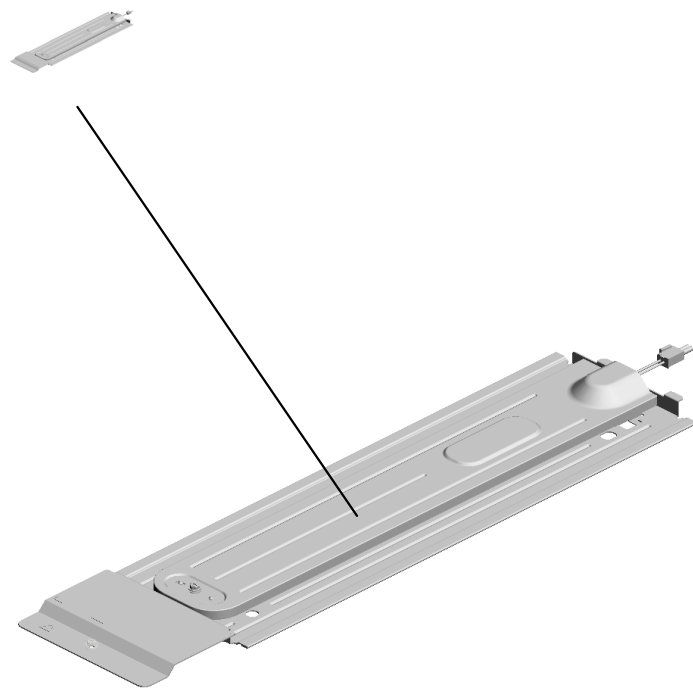
U018 S005
D3G36662
(EU/AA/IND/CHN/KOR);ELECTRICAL COMPONENTS SECTION:PAPER TRAY_200V:ASSY



U001	U002	U003	U004	U005	U006	U007	U008	U009	U010	U011	U012	U013	U014	U015	U016	U017	U018
------	------	------	------	------	------	------	------	------	------	------	------	------	------	------	------	------	------

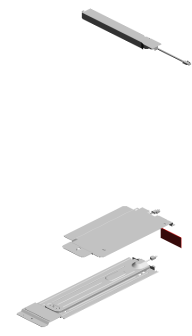
U018_S004.HEATER:DEHUMIDIFIER:ASS'Y

U018 S004 S001
D0CH2892
(EU/AA/IND/CHN/KOR):HEAT
SINK:HEATER:ASSY:(H1)



U001	U002	U003	U004	U005	U006	U007	U008	U009	U010	U011	U012	U013	U014	U015	U016	U017	U018
------	------	------	------	------	------	------	------	------	------	------	------	------	------	------	------	------	------

U018
HEATER

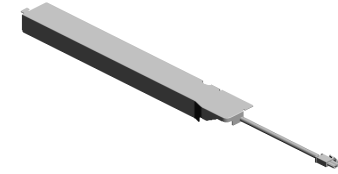


U001	U002	U003	U004	U005	U006	U007	U008	U009	U010	U011	U012	U013	U014	U015	U016	U017	U018
------	------	------	------	------	------	------	------	------	------	------	------	------	------	------	------	------	------

U018_S001
HEATER:SCANNER:220/240V:ASS'Y

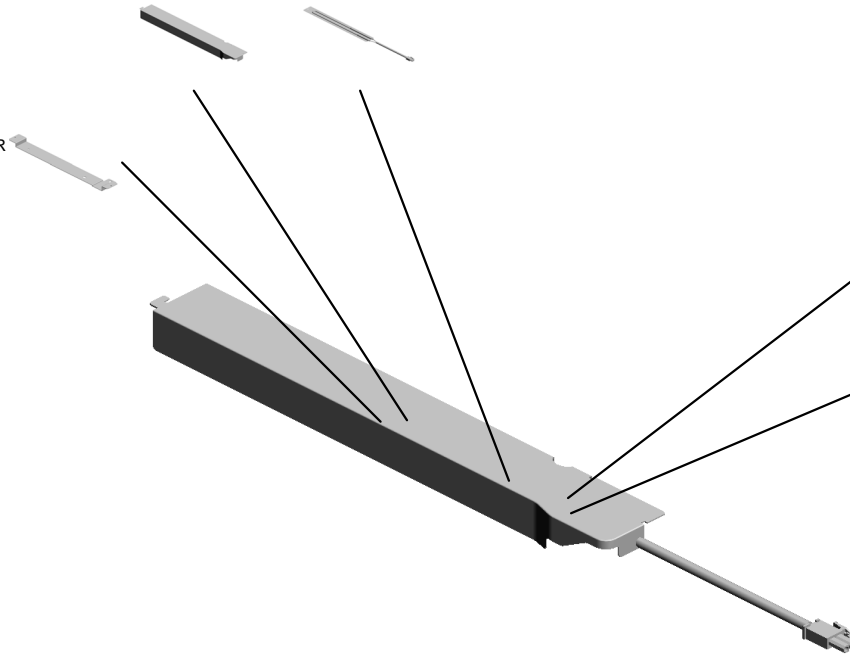
15.D2411797
COVER:HEATER:SCANNER

19.AX400250
(EU/AA/IND/CHN/K
OR):HEATER:230V:
9W:THERMOFUSE:
(H3)



22.D0E00072
HEATER:SCANNER:
R:220/240V:ASS'Y

14.D2411796
BRACKET:HEATER:
SCANNER



4.09544008N
SCREW - M4X8

1.03530030N
(x2)
SCREW:M3X3

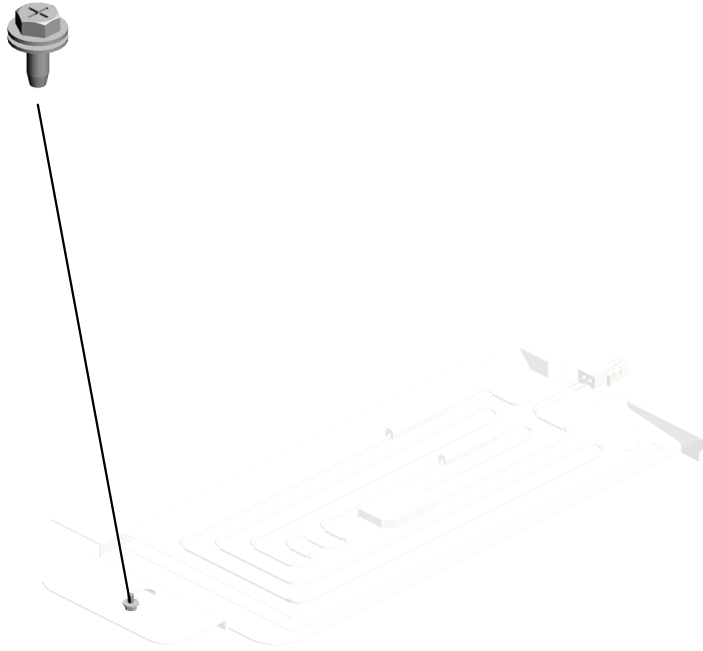
U001	U002	U003	U004	U005	U006	U007	U008	U009	U010	U011	U012	U013	U014	U015	U016	U017	U018
------	------	------	------	------	------	------	------	------	------	------	------	------	------	------	------	------	------

U018_S002
(EU/AA/IND/CHN/KOR):HEATER:PHOTOCONDUCTOR:ASS'Y

3.08025299
TAPPING SCREW -
M3X8



23.D3G32202
(EU/AA/IND/CHN/K
OR):HEATER:PHO
TOCONDUCTOR:A
SS'Y



U001	U002	U003	U004	U005	U006	U007	U008	U009	U010	U011	U012	U013	U014	U015	U016	U017	U018
------	------	------	------	------	------	------	------	------	------	------	------	------	------	------	------	------	------

U018_S003

(EU/AA/IND/CHN/KOR):ELECTRICAL COMPONENTS SECTION:SCANNER_200V:ASS'Y



24.D3G36650
(EU/AA/IND/CHN/KOR):ELECTRICAL COMPONENTS SECTION:SCANNER_200V:ASS'Y



6.11050759

(x6)
CLAMP:LWSM-060
5A

2.04543006Q(x 3)
TAPPING SCREW - M3X6

U001	U002	U003	U004	U005	U006	U007	U008	U009	U010	U011	U012	U013	U014	U015	U016	U017	U018
------	------	------	------	------	------	------	------	------	------	------	------	------	------	------	------	------	------

U018_S004
HEATER:DEHUMIDIFIER:ASS'Y

3.08025299
TAPPING SCREW -
M3X8



20.D0CH2542
HEATER:DEHUMID
IFIER:ASS'Y

U001	U002	U003	U004	U005	U006	U007	U008	U009	U010	U011	U012	U013	U014	U015	U016	U017	U018
------	------	------	------	------	------	------	------	------	------	------	------	------	------	------	------	------	------

U018_S004_S001
 (EU/AA/IND/CHN/KOR):HEAT SINK:HEATER:ASS'Y:(H1)

3.08025299 11.D1492899
 TAPPING SCREW - HEAT SINK:HEATE
 M3X8 R



21.D0CH2892
 (EU/AA/IND/CHN/K
 OR):HEAT SINK:HE
 ATER:ASS'Y:(H1)

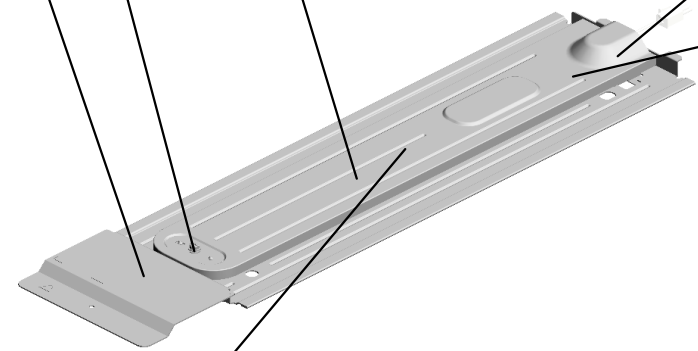
18.M0262734
 DECAL:H-TEMP W
 ARNING:HEATER



16.D2412896
 SHEET:HEAT SINK:
 HEATER



5.11050758
 (x2)
 CLAMP:LWSM-030
 6A



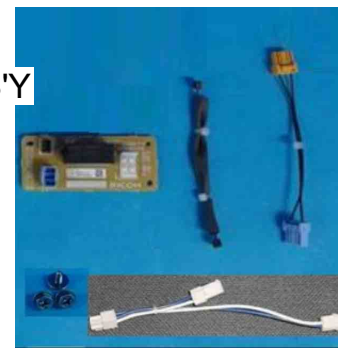
10.D1492898
 COVER:HEATER:P
 APER TRAY



U001	U002	U003	U004	U005	U006	U007	U008	U009	U010	U011	U012	U013	U014	U015	U016	U017	U018
------	------	------	------	------	------	------	------	------	------	------	------	------	------	------	------	------	------

U018_S005

(EU/AA/IND/CHN/KOR):ELECTRICAL COMPONENTS SECTION:PAPER TRAY_200V:ASS'Y



25.D3G36662
(EU/AA/IND/CHN/KOR):ELECTRICAL COMPONENTS SECTION:PAPER TRAY_200V:ASS'Y

2.04543006Q(x 3)
TAPPING SCREW - M3X6

U001	U002	U003	U004	U005	U006	U007	U008	U009	U010	U011	U012	U013	U014	U015	U016	U017	U018
------	------	------	------	------	------	------	------	------	------	------	------	------	------	------	------	------	------

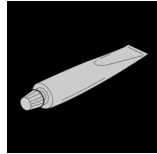
SPECIAL TOOLS



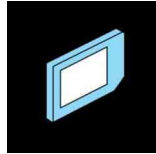
1.52039502
Silicone Grease G-501



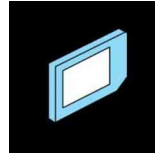
2.A0929503
C4 COLOR TEST CHART (3 PCS/SET)
)?



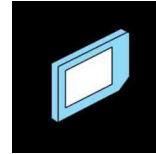
3.A2579300
Grease Barrierta - S552R (Heat-resistant grease)



4.B6455030
SD Card 2GB



5.B6455040
SD Card 8GB



6.B6455060
SD Card 16GB



7.C4019503
20~ Magnification Scope



8.M0B19500
USB 3.0 CARD READER



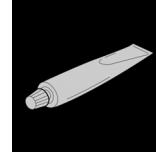
9.VSSG0006
DRYSURF:MDF-2400E 25G



10.VSSG9002
FLUOTRIBO MG GREASE: 100G



11.VSSG9006
MOLYKOTE(R) G-1077 GREASE 50G
(Noise-reduction grease)



12.VSSG9008
FLOIL-G348 GREASE 20G



13.VSST9003
C-5Y COLOR TEST CHART (2 SHEET
S X 3 / set)?

Exclusive Parts

Number	Part Name	Group	ID
52039502	Silicone Grease G-501	SPECIAL TOOLS	1
52062686	SNAP RING	U001_S003	5
52152621	SNAP RING - M6	U009	7
		U013	18
54472681	SNAP RING	U009	8
		U013	19
A0929503	C4 COLOR TEST CHART (3 PCS/SET)?	SPECIAL TOOLS	2
A2324666	CUSHION - STEPPER MOTOR	U012_S001	11
A2501752	EXPOSURE GLASS	U003	19
A2579300	Grease Barrierta - S552R (Heat-resistant grease)	SPECIAL TOOLS	3
A6283112	SHIELDING SHEET	U003_S002	20
AA021031	MAGNETIC CATCH	U001_S001	6
AA043000	SYNCHRONOUS BELT:40S3M192	U014_S004	17
AA043623	TIMING BELT - B40S2M180	U014_S004	18
AA043634	TIMING BELT - 40S2M296	U014_S001	19
AA043777	SYNCHRONOUS BELT:80S3M213	U014_S002	20
AA061127	TENSION SPRING:SAFETY SWITCH:FRONT	U015_S001	33
AA061128	TENSION SPRING:SAFETY SWITCH:RIGHT	U015_S001	34
AA061208	TENSION SPRING:STRIPPER PLATE	U011_S001	17
AA061211	TENSION SPRING:HOLDER:FUSING EXIT	U011_S001	18
AA063701	COMPRESSION SPRING:RISING TRAY	U005_S007	15
		U005_S008	15
AA063732	COMPRESSION SPRING:PRESSURE ROLLER	U011_S001	19
AA063942	COMPRESSION SPRING:REGISTRATION:DRIVE	U009	9
AA063943	COMPRESSION SPRING:GUIDE PLATE:REGISTRATION:4N	U009	10
AA080247	BUSHING - B-F6-3	U008_S001_S001	11
AA080252	BUSHING - M4	U012_S001	12
AA080346	BUSHING:FLANGE TYPE:DIA6	U009	11
		U010_S001	9

Number	Part Name	Group	ID
		U014_S004	21
		U016	14
AA080361	PLAIN SHAFT BEARING:CASE:RISING TRAY	U005_S007	16
		U005_S008	16
AA080387	PLAIN SHAFT BEARING:EXIT ROLLER:FUSING EXIT:RIGHT:FRONT	U011_S001	20
AA080388	PLAIN SHAFT BEARING:EXIT ROLLER:FUSING EXIT:RIGHT:REAR	U011_S001	21
AA082101	BUSHING - 6X10X6	U008	12
		U008_S001_S001	12
		U008_S001_S002_S001	12
		U008_S001_S002_S002	12
AA082144	BUSHING - 8X12X7	U009	12
AA082172	BUSHING:DIA6XDIA10X4:EG-1	U008_S001_S001	13
		U014_S001	22
AA082175	PLAIN SHAFT BEARING:8X12X7	U014_S001	23
AA082191	BUSHING:DIA6XDIA10X6:EG-1-J	U013_S001_S001	20
AA082193	PLAIN SHAFT BEARING:DIA4XDIA8X5	U012_S001	13
		U013_S001	21
		U013_S001_S001	21
		U014_S004	24
AA082194	BUSHING:DIA6XDIA10X4:EG-1J	U014_S004	25
AA082195	PLAIN SHAFT BEARING:DIA6XDIA10X6	U005	17
		U005_S001	17
		U005_S002	17
		U012_S001	14
AA082196	BUSHING:DIA6XDIA10X9	U013_S001	22
		U005_S001	18
		U005_S001_S001	18
		U005_S002	18
AA082197	BUSHING:DIA8XDIA12X7:EG-1-J	U005_S002_S001	18
		U005	19
AA082198	BUSHING:DIA6XDIA10X9:EG-1-J	U013_S001_S001	23
AA083014	ONE-WAY CLUTCH	U013_S001	24
AA083018	ROLLER CLUTCH - 6X14X10	U013_S001	25
AA100014	RETAINING RING C - SEPARATE	U005_S001	20

Exclusive Parts

Number	Part Name	Group	ID
		U005_S002	20
		U013_S001_S001	26
AA100016	RETAINING RINGS-C:DIA3	U011_S001	22
AA132208	SPACER - M6	U008_S001_S001	14
AA143219	STEPPED SCREW	U011	23
AA143537	SCREW:M3:BLACK	U001	7
		U003	21
AA143579	SCREW - M3	U013_S001_S001	27
AA143592	SCREW- M4X6	U015	35
AA143807	SCREW:A	U013_S001	28
AA143848	STEPPED SCREW - M3	U015	36
AA161167	BUSHING:HDD	U015	37
AB010157	GEAR:SEPARATE:DRIVEN	U013_S001_S001	29
AB011252	GEAR - 20Z	U013_S001_S001	30
AB011571	GEAR:Z19:DRIVE:REGISTRATION	U009	13
AB011572	GEAR:Z19:DRIVEN:REGISTRATIO N	U005	21
AB011573	GEAR:REGISTRATION:NO.2	U005	22
AB012099	GEAR:ON-OFF:PRESSURE ROLLE R	U011_S001	24
AB012107	GEAR:IDLER:EXIT:FUSING EXIT:1	U011_S001	25
AB012108	GEAR:IDLER:EXIT:FUSING EXIT:2	U011_S001	26
AB012109	GEAR:IDLER:EXIT:FUSING EXIT:3	U011_S001	27
AB012110	GEAR:EXIT ROLLER:FUSING EXIT: RIGHT	U011_S001	28
AB012111	GEAR:PRESSURE ROLLER:EXIT	U011_S001	29
AB012119	GEAR:PRESSURE ROLLER	U011_S001	30
AB012122	GEAR:IDLER:PRESSURE ROLLER	U011_S001	31
AB017782	GEAR:RISING TRAY:2	U005_S007	23
		U005_S008	23
AB017783	GEAR:RISING TRAY:3	U005_S007	24
		U005_S008	24
AE020282	PRESSURE ROLLER:DIA32	U011_S001	32
AE030074	BALL BEARING:DIA17XDIA26X5	U011_S001	33
AF013019	PAD:TRAY BOTTOM PLATE	U005_S003	25
		U005_S004	25
AF013020	PAD:TRAY BOTTOM PLATE	U013_S001_S002	31
		_S001	

Number	Part Name	Group	ID
AF030049	PICK-UP ROLLER	U013_S001_S001	32
AF030094	PAPER FEED ROLLER:PICKUP	U005_S001	26
		U005_S002	26
AF031046	FEED ROLLER - MANUAL FEED	U013_S001_S001	33
AF031185	PAPER FEED ROLLER:FEED	U005_S001	27
		U005_S002	27
AF032046	SEPARATION ROLLER - MANUAL FEED	U013_S001_S001	34
AF032102	PAPER FEED ROLLER:SEPARATE	U005_S001	28
		U005_S002	28
AF040571	GUIDE ROLLER	U012_S001	15
AG070513	MAGNET CATCH	U001	8
AG070514	MAGNET CATCH	U010	10
AW010147	PHOTO REFLECTION SENSOR:(S1 /S27)	U009_S002	14
		U012_S001	16
AW010155	ORIGINAL SENSOR:66MM:3.3V:(S4 4/S45)	U003	22
AW020190	PHOTOINTERRUPTOR:(S26)	U011	34
AW020234	PHOTOINTERRUPTOR:GP1A173L CS5F:(S5/S6/S8/S13/S15/S23/S25/ S32)	U005_S001	29
		U005_S002	29
		U008	15
		U013_S001	35
		U013_S001_S001	35
		U013_S001_S002	35
		_S001	
		U014_S003	26
AW020249	PHOTOINTERRUPTOR:FLAT:PICH 2MM:M4:(S43)	U003	23
AW100183	THERMOPILE:(TH1)	U011	35
AW110111	THERMOSTAT:MIDDLE	U011_S001	36
AW230113	PCB:MYU:SENSOR:(S37/S38/S39/S 40)	U006_S001_S001	6
		U006_S002_S001	6
		U006_S003_S001	6
		U006_S004_S001	6
AW500046	PUSH SWITCH:PAPER SIZE SENS OR:(SW1)	U005	30
AW500049	PUSH SWITCH:SW1AG-550:(S4/S1 7/S19/S21/S35)	U005	31
		U010	11

Exclusive Parts

Number	Part Name	Group	ID
		U013	36
		U013_S001	36
AX040273	DC MOTOR:RISING TRAY:ASS'Y:1.007W:BRUSH:(M9/M10)	U005_S007	32
		U005_S008	32
AX060435	DC MOTOR:GEAR:10W:BRUSHLESS:(M7)	U014_S005	27
AX060464	DC MOTOR:ENCODER:NO:10W:GEAR:BRUSHLESS:(M1)	U013	37
AX060507	DC MOTOR:ENCODER:NO:10W:GEAR:(M2/M5/M6)	U013_S001	38
		U014_S004	28
AX060518	DC POLYGON MIRROR MOTOR:(M27)	U004_S001	9
AX061001	DC BRUSHLESS MOTOR:40W:NMB:(M16)	U014	29
AX061101	DC BRUSHLESS MOTOR:25W:NMB:(M15/M17)	U014	30
AX061222	DC BRUSHLESS MOTOR:25W:NID:FUSING UNIT:(M33)	U014_S002	31
AX400250	(EU/AA/IND/CHN/KOR):HEATER:230V:9W:THERMOFUSE:(H3)	U018_S001	19
AX640236	FAN:MM60X15:(FAN4)	U015	38
AX640256	DC FAN MOTOR:AXIAL:MM60:25MM:(FAN2/FAN6)	U016	15
		U016_S004	15
AX640257	DC FAN MOTOR:MM80X25:(FAN1/FAN5)	U016	16
AX650065	DC FAN MOTOR:SIROCCO:DC24V:PWM:(FAN3)	U016	17
AZ240400	(EU/AA/IND/CHN/KOR):DC POWER SUPPLY:(PCB8)	U015	100
AZ320239	POWER PACK:TTS:L:(PCB16)	U015	40
B0651374	CLOTH - DF EXPOSURE GLASS	U017	3
B2231099	FLAT SCREW	U013_S001_S002	39
		S001	
B2231163	JOINT:ON-OFF:INTERMEDIATE TRANSFER	U014_S001	32
B2231317	SCREW	U015_S001	41
B2232862	LEVER - RELEASE INNER	U005_S004	33
B2233241	SPRING:SHUTTER:PUMP UNIT	U007	12

Number	Part Name	Group	ID
B2234552	BUSHING:DIA4	U013_S001	40
B2236069	JOINT:DRIVE:INTERMEDIATE TRANSFER	U008_S001_S001	16
B2236476	BUSHING - DIA5	U010	12
B2342864	PAD:CLEANER	U005_S003	34
		U005_S004_S002	34
		S002	
		U005_S004_S003	34
B2381088	COVER - CONNECTOR	U016	18
B2381089	COVER - POSITIONING PIN	U016	19
B6455030	SD Card 2GB	SPECIAL TOOLS	4
B6455040	SD Card 8GB	SPECIAL TOOLS	5
B6455060	SD Card 16GB	SPECIAL TOOLS	6
B8303504	TIMING BELT - 40S2M100	U005_S001	35
		U005_S002	35
C4019503	20~ Magnification Scope	SPECIAL TOOLS	7
D0092573	PULLEY - VERTICAL TRANSPORT	U013_S001_S003	41
		U013_S001_S004	41
D0092574	PULLEY - IDLER	U013_S001_S003	42
		U013_S001_S004	42
D0094455	CUSHION - DC SOLENOID	U012_S001	17
		U013_S001	43
D0094485	BUSHING - GATE	U013_S001	44
D0094487	COMPRESSION SPRING - GATE	U013_S001	45
D0292677	TRANSPORT BELT:DRIVEN:VERTICAL TRANSPORT	U013_S001_S003	46
		U013_S001_S004	46
D0392566	TENSION SPRING:GRIP:RIGHT	U005_S003	36
		U005_S004	36
D0392993	SHAFT:TRANSPORT BELT:PULLEY	U013_S001_S003	47
		U013_S001_S004	47
D0394525	COMPRESSION SPRING:SHAFT:GUIDE PLATE:EXIT	U013_S001	48
D0394529	STOPPER:GUIDE PLATE:ROLLER:DRIVEN	U013_S001	49
D0394597	TENSION SPRING:DRIVEN ROLLER	U013_S001	50
D0394925	ROLLER:REVERSE:DRIVEN	U012_S001	18
D0394927	COMPRESSION SPRING:PRESSURE	U012_S001	19

Exclusive Parts

Number	Part Name	Group	ID
	RE:REVERSE:DRIVEN		
D0895887	PANEL:INTERFACE	U015	42
D0A45122	PCB:DCSW:(SW4)	U015	43
D0BK2053	CHARGE UNIT:30:ASS'Y	U006_S001_S002	7
		U006_S002_S002	7
		U006_S003_S002	7
		U006_S004_S002	7
D0BK2092	FRAME:DISCHARGE LAMP:30	U006	8
D0BM4388	COVER:AC CODE	U011	37
D0BQ1113	GUIDE:HARNESS:RIGHT	U014	33
D0BQ1309	MAGNET CATCH:COVER:FRONT	U001_S003	9
D0BQ1678	SHEET:FFC:LOWER	U003	24
D0BQ1713	SYNCHRONOUS BELT:890ST55-4.0	U003	25
D0BQ2608	SHAFT:SEPARATOR:DRIVEN:ASS'Y	U013_S001_S001	51
D0BQ2619	SHAFT:SEPARATOR:DRIVE:ASS'Y	U013_S001_S001	52
D0BQ2637	PAPER STOPPER:MANUAL FEED	U013_S001_S001	53
D0BQ2638	LINK:PAPER STOPPER:MANUAL FEED	U013_S001_S001	54
D0BQ2644	BRACKET:SIDE FENCE:MANUAL FEED	U013_S001_S002	55
D0BQ2653	COIL SPRING:PRESSURE:SEPARATOR	U013_S001_S001	56
D0BQ2654	CUSHION:GUIDE PLATE:SEPARATOR	U013_S001_S001	57
D0BQ2655	GEAR:SEPARATE:DRIVE	U013_S001_S001	58
D0BQ2656	HOLDER:HARNESS	U013_S001	59
D0BQ2686	WIRE:MANUAL FEED TABLE:TC075	U013_S001_S002	60
D0BQ2688	TENSION SPRING:WIRE	U013_S001_S002	61
D0BQ2773	PULLEY:PICKUP:MECHANICAL ROLLER CLUTCH:U	U005_S001	37
		U005_S002	37
D0BQ2777	SHAFT:FEED:ASS'Y	U005_S001	38
		U005_S002	38
D0BQ2786	PLAIN SHAFT BEARING:FEED	U005_S001_S001	39
		U005_S002_S001	39

Number	Part Name	Group	ID
D0BQ2840	END FENCE:PAPER TRAY:ASS'Y	U005_S003_S001	40
		U005_S004_S001	40
D0BQ2952	DECAL:SIDE FENCE:PAPER VOLUME	U005_S003	41
		U005_S004_S003	41
D0BQ2954	DECAL:SIDE FENCE:PAPER VOLUME:ENVELOPE	U005_S004_S003	42
D0BQ2959	DECAL:SIDE FENCE:PAPER VOLUME:FRONT	U005_S003	43
		U005_S004_S002	43
D0BQ2966	STAY:END FENCE:ASS'Y	U005_S004_S002	44
		S001	
D0BQ2967	KNOB SCREW:STAY:END FENCE	U005_S004_S002	45
		S001	
D0BQ3316	GEAR:IDLER:TRANSPORT SCREW	U007_S010	14
		U007_S011	14
		U007_S012	14
		U007_S013	14
D0BQ4102	DRIVEN ROLLER:FUSING EXIT:ASS'Y	U011_S001	38
D0BQ4214	EXIT ROLLER:FUSING EXIT:RIGHT	U011_S001	39
D0BQ4425	DC STEPPER MOTOR:REVERSE:SUB-ASS'Y:(M3)	U012_S001	20
D0BQ4644	GEAR:MECHANICAL ROLLER CLUTCH	U013_S001	62
D0BQ4646	SYNCHRONOUS BELT:30S2M262	U013_S001	63
D0BQ4647	SYNCHRONOUS BELT:30S2M212	U013_S001	64
D0BQ4648	SYNCHRONOUS BELT:30S2M300	U013_S001	65
D0BQ4654	SHAFT:LEVER:LOCK	U013_S001	66
D0BQ4719	JIG:SENSOR:PAPER SIZE SENSOR	U013_S001	67
		U013_S001_S002	67
D0BQ4755	GEAR:OUTPUT:DUPLEX:ENTRANCE:CROWNING	U013	68
D0BQ4757	SPACER:DC MOTOR:DUPLEX:2	U013	69
D0BQ5172	(CHN):PCB:TCB:(PCB3/PCB4/PCB5/PCB6)	U007	34
D0BQ5534	PCB:LED	U002_S001	9
D0BQ5802	GUIDE:HARNESS:RACK	U015	44
D0BQ6048	LEVER ON-OFF BK	U008_S001	17

Exclusive Parts

Number	Part Name	Group	ID
D0BQ6125	ROLLER:FLAT BELT-TRANSFER:FACE FRONT:ASS'Y	U008_S001_S001	18
D0BQ6170	SPACER:DENSITY SENSOR:0.05MM	U008	19
D0BQ6212	TRANSFER ROLLER:SECOND:ASS'Y	U009_S001	15
D0BQ6311	GEAR:ON-OFF:COLLAR:OUTPUT:HS	U008	20
D0BQ6322	BRACKET:TM SENSOR:FRONT:PEEN	U008	21
D0BQ6324	BRACKET:REAR:TM SENSOR	U008	22
D0BQ6338	BRACKET:TM SENSOR	U008	23
D0BQ6360	LEVER:ON-OFF:BK:MIDDLE	U008_S001_S001	24
D0BQ6400	COLLECTION BOTTLE:ASS'Y	U010_S001	13
D0BQ6511	PIPE:ASS'Y	U010_S002	14
D0BQ7937	FILTER:PREVENTFENCE:13.5	U016_S003	20
D0BQR031	LEVER:SAFETY SWITCH:RIGHT	U015_S001	45
D0BQR035	BASE:SAFETY SWITCH	U015_S001	46
D0BQR041	SAFETY SWITCH:ASS'Y	U015_S001	47
D0C95150	PCB:SMB:SERVICE	U015	48
D0CH1199	DRIVE UNIT:ON-OFF:TRANSFER:(M18)	U014_S003	34
D0CH2542	HEATER:DEHUMIDIFIER:ASS'Y	U018_S004	20
D0CH2892	(EU/AA/IND/CHN/KOR):HEAT SINK:HEATER:ASS'Y:(H1)	U018_S004_S001	21
D0DB1744	DOCUMENT FEEDER:CABLE:BRACKET	U003	26
D0DY5101	PCB:IO:SUB-ASS'Y	U002_S001	10
D0DY5114	(CHN):PCB:SYSTEM:SUB-ASS'Y	U002_S001	33
D0DZ1117	DRIVE UNIT:ENGINE:ASS'Y	U014_S001	35
D0DZ1276	INNER COVER:TONER BOTTLE	U001	10
D0DZ1313	KEY:TYPE:TONER BOTTLE	U001	11
D0DZ1357	DRIVE UNIT:FUSING/PAPER EXIT UNIT:ASS'Y	U014_S002	36
D0DZ1381	DC MOTOR:2.0W:ASS'Y:(M36)	U014_S002	37
D0DZ2205	PCU:KCMY:IMC2010-2510	U006_S001_S002	9
		U006_S002_S002	9
		U006_S003_S002	9

Number	Part Name	Group	ID
		U006_S004_S002	9
D0DZ2210	PCDU:K:IMC2010-2510	U006_S001	10
D0DZ2211	PCDU:C:IMC2010-2510	U006_S002	11
D0DZ2212	PCDU:M:IMC2010-2510	U006_S003	12
D0DZ2213	PCDU:Y:IMC2010-2510	U006_S004	13
D0DZ2600	MANUAL FEED UNIT:ASS'Y	U013_S001_S001	70
D0DZ2711	PAPER FEED UNIT:NO.1:ASS'Y	U005_S001	46
D0DZ2712	PAPER FEED UNIT:NO.2:ASS'Y	U005_S002	47
D0DZ2800	PAPER TRAY:NO.1:ASS'Y	U005_S003	48
D0DZ2805	PAPER TRAY:NO.2:ASS'Y	U005_S004	49
D0DZ2872	LINK:END FENCE:PAPER SIZE SENSOR	U005_S004	50
D0DZ3000	DEVELOPMENT UNIT:K:IMC2010-2510	U006_S001_S001	14
D0DZ3001	DEVELOPMENT UNIT:C:IMC2010-2510	U006_S002_S001	15
D0DZ3002	DEVELOPMENT UNIT:M:IMC2010-2510	U006_S003_S001	16
D0DZ3003	DEVELOPMENT UNIT:Y:IMC2010-2510	U006_S004_S001	17
D0DZ4022	(EU/AA/IND/CHN/KOR):FUSING UNIT:220-240V:IMC2010-2510	U011_S001	78
D0DZ4052	(EU/AA/IND/CHN/KOR):SLEEVE:FUSING:220-240V:IMC2010-2510	U011_S001_S002	79
D0DZ4405	PAPER EXIT UNIT:ASS'Y	U012_S001	21
D0DZ4555	DUPLEX UNIT:IMC2010-2510	U013_S001	71
D0DZ4921	COVER:GUIDE PLATE:DRIVEN	U013_S001	72
D0E00072	HEATER:SCANNER:220/240V:ASS'Y	U018_S001	22
D0E05763	(CHN):(IM C2010/GS4020c):PCB:CT L:SERVICE:IMC2010:(PCB11)	U015	102
D0E05764	(CHN):(IM C2510/GS4025c):PCB:CT L:SERVICE:IMC2510:(PCB11)	U015	103
D0E09591	NVRAM	U015	51
D0E11107	DC SOLENOID:ASS'Y:(SOL4)	U014	38
D0E11855	OPTICAL WRITING UNIT:IMC2500/IMC3000/IMC3500	U004_S001	10
D0E15114	BICU:ASS'Y:(PCB10)	U015	53

Exclusive Parts

Number	Part Name	Group	ID
D0E15868	COVER:FAX	U015	55
D0E1R481	(CHN):COVER:OUTER:WIFI:OPTIO N	U015	104
D0E1R484	(CHN):COVER:INTERFACE:WIFI:O PTION	U015	105
D0E1R485	PANEL:CONTROL BOARD:WIFI:OP TION	U015	106
D0E31090	LEVER:LOCK:PCU	U016	21
D0E31099	COVER:GRIP:LEFT	U016_S001	22
		U016_S002	22
D0E31187	HOUSING:DRIVE UNIT:PAPER FEE D:ASS'Y_	U014_S004	39
D0E31194	PULLEY:FEED:NO.1:MECHANICAL ROLLER CLUTCH:T	U014_S004	40
D0E31196	GEAR:FEED:NO.2:MECHANICAL R OLLER CLUTCH:T	U014_S004	41
D0E31230	COVER:UPPER:	U001	12
D0E31231	COVER:UPPER:FRONT	U001	13
D0E31232	COVER:UPPER:EXIT	U001	14
D0E31233	COVER:UPPER:INNER BACK	U001	15
D0E31234	COVER:UPPER:INNER BACK:MIDD LE	U001	16
D0E31235	COVER:UPPER:INNER BACK:BIN:Z B	U001	17
D0E31237	COVER:UPPER:INNER BACK:LEFT LOWER	U001	18
D0E31240	COVER:FRONT:ASS'Y	U001_S002	19
D0E31242	COVER:FRONT:PEEN_	U001_S002	20
D0E31244	COVER:FRONT:RIGHT UPPER	U001	21
D0E31245	COVER:FRONT:UPPER	U001	22
D0E31246	COVER:FRONT:USED TONER:ASS' Y	U001_S003	23
D0E31247	COVER:FRONT:USED TONER	U001_S003	24
D0E31248	COVER:FRONT:LENGTHWISE	U001	25
D0E31250	COVER:LEFT	U001	26
D0E31251	COVER:LEFT:UPPER	U001	27
D0E31252	COVER:LEFT:UPPER:REAR	U001	28
D0E31257	CAP:34X55:ZB	U001	29

Number	Part Name	Group	ID
D0E31260	COVER:REAR:LOWER	U001	30
D0E31261	COVER:REAR	U001	31
D0E31263	CAP:LOUVER:DEODORIZE FILTER	U001	32
D0E31265	COVER:RIGHT:REAR	U001	33
D0E31266	COVER:RIGHT:FRONT LOWER	U001	34
D0E31267	COVER:RIGHT:UPPER	U001	35
D0E31273	INNER COVER:FRONT:LOWER	U001_S001	36
D0E31274	INNER COVER:FRONT:LOWER:SU B-ASS'Y	U001_S001	37
D0E31275	INNER COVER:FRONT:RIGHT LO WER	U001	38
D0E31281	COVER:SCANNER:FRONT	U001	39
D0E31284	COVER:SCANNER:LEFT	U001	40
D0E31287	COVER:SCANNER:RIGHT	U001	41
D0E31290	COVER:SCANNER:UPPER:REAR	U001	42
D0E31292	CAP:HARNESS:ZB	U001	43
D0E31294	(NA[IM C2010]/EU[IM C2010/C2510] /AA/TWN/IND/CHN/KOR):CAP:HAR NESS:CORNER:ZB	U001	44
D0E31331	HOLDER:GLASS:CLEANER:ASS'Y	U017	4
D0E31341	RAIL:PCU:K	U016	23
D0E31342	RAIL:PCU:C	U016	24
D0E31343	RAIL:PCU:M	U016	25
D0E31399	DRIVE UNIT:PAPER FEED:ASS'Y	U014_S004	42
D0E31516	TOUCH PANEL:ASS'Y	U002_S001	14
D0E31517	(CHN):OPERATION SUB-UNIT:CO MMON:ASS'Y	U002_S001	34
D0E31523	HINGE:RIGHT	U002	15
D0E31524	HINGE:LEFT	U002	16
D0E31545	COVER:OPERATION SUB-UNIT:RE AR	U002_S001	17
D0E31546	KEYTOP:OPERATION SUB-UNIT:S ERVICE	U002_S001	18
D0E31547	COVER:OPERATION SUB-UNIT:KE Y SWITCH	U002_S001	19
D0E31548	COVER:OPERATION SUB-UNIT:RI GHT	U002_S001	20
D0E31549	COVER:OPERATION SUB-UNIT:US	U002_S001	21

Exclusive Parts

Number	Part Name	Group	ID
	B		
D0E31550	SPEAKER:ASS'Y	U002_S001_S001	22
D0E31554	GUIDE:OPERATION SUB-UNIT:HARNNESS	U002	23
D0E31555	CUSHION:LCD:L	U002_S001	24
D0E31556	CUSHION:LCD:S	U002_S001	25
D0E31592	COVER:BRACKET:OPERATION SUB-UNIT:LOWER:MF4	U002	31
D0E31593	COVER:BRACKET:OPERATION SUB-UNIT:UPPER:MF4	U002	32
D0E31595	BRACKET:OPERATION SUB-UNIT	U002	26
D0E31640	OPTICAL READING UNIT:CARRIAGE:SCANNER:IMC2010-6010	U003_S001	27
D0E31684	COVER:HARNNESS:SCANNER	U003	28
D0E31719	DC STEPPER MOTOR:PRESS FIT:(M26)	U003	29
D0E31721	BRACKET:DC STEPPER MOTOR	U003	30
D0E31732	(EU/AA/TWN/IND/CHN/KOR):SCALE:LEFT:MM:ASS'Y	U003_S002	69
D0E31733	COVER:SHEET THROUGH:DOCUMENT FEEDER	U003	31
D0E31738	(EU/AA/TWN/IND/CHN/KOR):SCALE:REAR:PRINTING:MM	U003	70
D0E31766	SHEET:FLAT CABLE:SBU	U003	34
D0E31780	ILLUMINATION UNIT:30LIGHT UNIT:ASS'Y	U003_S001	35
D0E31788	CAP:COVER:POSITIONING	U017	5
D0E32567	CASE:REMOVE PAPER DUST	U005	51
D0E32571	GUIDE:POSITIONING:REGISTRATION:FRONT	U005	52
D0E32572	GUIDE:POSITIONING:REGISTRATION:REAR	U005	53
D0E32582	GUIDE PLATE:REGISTRATION:FRONT RIGHT	U009	16
D0E32603	MANUAL FEED TABLE:ASS'Y	U013_S001_S002_S001	73
D0E32623	ARM:PICKUP:MANUAL FEED	U013_S001_S001	74
D0E32624	COVER:PAPER END	U013_S001_S001	75

Number	Part Name	Group	ID
D0E32625	BRACKET:PAPER END SENSOR:MANUAL FEED	U013_S001_S001	76
D0E32631	SIDE FENCE:FRONT	U013_S001_S002_S001	77
D0E32633	SIDE FENCE:REAR	U013_S001_S002_S001	78
D0E32641	COVER:PAPER STOPPER:MANUAL FEED	U013_S001_S001	79
D0E32642	EXTENSION TRAY:NO.2	U013_S001_S002_S001	80
D0E32643	EXTENSION TRAY:NO.1	U013_S001_S002_S001	81
D0E32650	FLAT SCREW:M3X5:SIDE FENCE	U013_S001_S002_S001	82
D0E32658	COVER:PAPER FEED ROLLER	U013_S001_S001	83
D0E32671	GUIDE PLATE:VERTICAL TRANSPORT:NO.1:DRIVEN:ASS'Y	U013_S001_S003	84
D0E32672	GUIDE PLATE:VERTICAL TRANSPORT:NO.2:DRIVEN:ASS'Y	U013_S001_S004	85
D0E32673	GUIDE PLATE:VERTICAL TRANSPORT:NO.1:DRIVEN	U013_S001_S003	86
D0E32693	ARM:MANUAL FEED:FRONT UPPER	U013_S001_S002_S001	87
D0E32705	STAY:PAPER FEED UNIT:LOWER:ASS'Y	U005_S001_S002_S002	54
D0E32714	GUIDE PLATE:SWIVEL:NO.1	U005	55
D0E32721	GUIDE PLATE:SWIVEL:NO.2	U005	56
D0E32741	GUIDE PLATE:VERTICAL TRANSPORT:PAPER FEED UNIT:NO.1	U005_S001	57
D0E32742	GUIDE PLATE:VERTICAL TRANSPORT:PAPER FEED UNIT:NO.2	U005_S002	58
D0E32818	LEVER:RISE	U005_S003	59
		U005_S004	59
D0E32822	SIDE FENCE:FRONT:NO.1	U005_S003	60
D0E32832	SIDE FENCE:REAR:NO.1	U005_S003	61
D0E32835	RACK:SIDE FENCE	U005_S003	62
		U005_S004	62
D0E32837	DECAL:SET:SIDE FENCE:AUXILIA	U005_S004	63

Exclusive Parts

Number	Part Name	Group	ID
	RY		
D0E32856	GRIP:PAPER TRAY	U005_S003	64
		U005_S004	64
D0E32863	DECAL:PAPER SET DIRECTION:TRAY:NO.1	U005_S003	65
D0E32864	DECAL:PAPER SET DIRECTION:TRAY:NO.2	U005_S004	66
D0E32865	COVER:PAPER TRAY:NO.1	U005_S003	67
D0E32866	COVER:PAPER TRAY:NO.2	U005_S004	68
D0E32872	SIDE FENCE:AUXILIARY	U005_S004	69
D0E32874	TRAY BOTTOM PLATE:NO.2	U005_S003	70
		U005_S004	70
D0E32876	SIDE FENCE:FRONT:ASSY	U005_S004_S002	71
D0E32877	SIDE FENCE:FRONT:SUB-ASS'Y	U005_S004_S002_S002	72
D0E32878	SIDE FENCE:FRONT:UNIVERSAL:NO.2	U005_S004_S002_S002	73
D0E32879	SIDE FENCE:REAR:UNIVERSAL:NO.2	U005_S004_S003	74
D0E32880	SIDE FENCE:REAR:ASSY	U005_S004_S003	75
D0E32897	LATCH:SIDE FENCE	U005_S003	76
		U005_S004	76
D0E32913	HOLDER:POSITIONING	U005_S005	77
		U005_S006	77
D0E32924	STOPPER:PAPER TRAY	U005_S005	78
		U005_S006	78
D0E32925	SUPPORTER:LEFT:NO.2:PEEN	U005	79
D0E32990	PLAIN SHAFT BEARING:DRIVE:REGISTRATION ROLLER	U009	17
D0E33143	JOINT:DEVELOPMENT	U006_S001_S001	18
		U006_S002_S001	18
		U006_S003_S001	18
		U006_S004_S001	18
D0E33194	COVER:PCU:REAR:ASS'Y	U006_S001	19
		U006_S002	19
		U006_S003	19
		U006_S004	19
D0E33310	DRIVE UNIT:TONER BOTTLE:ASS'Y	U007_S010	15

Number	Part Name	Group	ID
	Y	U007_S011	15
		U007_S012	15
		U007_S013	15
D0E33321	DUCT:VERTICAL TRANSPORT:TONER SUPPLY	U007	16
D0E33322	SEAL:DUCT:TONER SUPPLY	U007	17
D0E33340	TONER HOPPER:TONER SUPPLY:K:ASS'Y	U007_S001	18
D0E33350	TONER HOPPER:TONER SUPPLY:C:ASS'Y	U007_S002	19
D0E33360	TONER HOPPER:TONER SUPPLY:M:ASS'Y	U007_S003	20
D0E33366	DC STEPPER MOTOR:TONER SUPPLY:ON-OFF:(M21)	U007_S003	21
D0E33370	TONER HOPPER:TONER SUPPLY:Y:ASS'Y	U007_S004	22
D0E33381	TRANSPORT SCREW:NOZZLE:BK:ASS'Y	U007_S005	23
D0E33382	TRANSPORT SCREW:NOZZLE:CM:Y:ASS'Y	U007_S006	24
		U007_S007	24
		U007_S008	24
D0E33388	BASE:TONER HOPPER:REAR:ASS'Y	U007_S009	25
D0E34366	BRACKET:THERMOPILE	U011	42
D0E34426	BRACKET:DC STEPPER MOTOR:REVERSE	U012_S001	22
D0E34441	GUIDE PLATE:EXIT:UPPER	U012_S001	23
D0E34466	GUIDE PLATE:REVERSE:LOWER	U012_S001	24
D0E34474	END FENCE:TRAY:EXIT	U017	6
D0E34492	TRAY:REVERSE	U001	45
D0E34494	TRAY:AUXILIARY:EXIT:ZB	U012	25
D0E34497	TRAY:EXIT	U012	26
D0E34563	MANUAL FEED TABLE:IMC2010-6010	U013_S001_S002	88
D0E34570	PAPER SIZE SENSOR:SENSOR:IMC2010-6010:(S7)	U013_S001_S002_S001	89
D0E34655	GRIP:DUPLIX UNIT	U013_S001	90
D0E34660	GUIDE PLATE:UPPER:RIGHT:DUP	U013_S001	91

Exclusive Parts

Number	Part Name	Group	ID
	LEX		
D0E34673	GUIDE PLATE:DRIVEN	U013_S001	92
D0E34693	INNER COVER:FRONT:DUPLEX	U013_S001	93
D0E34695	LINK:FRONT_MF4	U013_S001	94
D0E34696	INNER COVER:REAR:LOWER:DUPLEX	U013_S001	95
D0E34697	INNER COVER:RREA:UPPER:DUPLEX	U013_S001	96
D0E34707	PIN:ARM:FRONT LOWER	U013_S001_S002_S001	97
D0E34711	DECAL:SIDE FENCE:MANUAL FEED	U013_S001_S002_S001	98
D0E34715	DECAL:GRIP:Z	U013_S001	99
D0E34717	PLATE:SIDE FENCE:FRONT	U013_S001_S002_S001	100
D0E34720	PLATE:SIDE FENCE:REAR	U013_S001_S002_S001	101
D0E34737	PLAIN SHAFT BEARING:DUPLEX:EXIT	U013_S001	102
D0E34850	ARM:PUSH SWITCH	U013_S001	103
D0E34886	ARM:MANUAL FEED:FRONT LOWER	U013_S001_S002_S001	104
D0E34932	BRACKET:POSITIONING:PAPER EXIT UNIT	U012	27
D0E34937	INNER COVER:EXIT	U012	28
D0E34949	GUIDE:HARNESS:REVERSE	U012_S001	29
D0E34961	BASE:PLATE:EXIT:B	U012	30
D0E34994	GUIDE PLATE:EXIT:LOWER	U012_S001	31
D0E34995	GUIDE PLATE:UPPER	U013_S001	105
D0E35126	PCB:IOB-EXTEND:(PCB2)	U015	56
D0E35156	POWER PACK:CB:(PCB19)	U015	57
D0E35164	(EU/AA/IND/CHN/KOR):AC CONTROL BOARD:(PCB9)	U015	101
D0E35765	CASE:POWER PACK:CB	U015	59
D0E35810	BRACKET:RACK:UPPER	U015	60
D0E35814	GUIDE:HARNESS:RACK:LOWER	U015	61
D0E35816	STAY:RACK:LOWER	U015	62
D0E35823	BRACKET:BASE:POWER SUPPLY	U015	63

Number	Part Name	Group	ID
	UNIT:PEEN		
D0E35824	COVER:SD-CARD	U015	64
D0E35825	COVER:PSU	U015	65
D0E35886	GASKET:32TA L15-18(AZD6)H L=20	U015	66
D0E36003	TRANSFER UNIT:INTERMEDIATE TRANSFER:ASS'Y	U008_S001_S001	25
D0E36005	TRANSFER UNIT:INTERMEDIATE TRANSFER:IMC2010-6010	U008_S001	26
D0E36051	TRANSFER ROLLER:BK:ASS'Y	U008_S001_S001	27
D0E36061	TRANSFER ROLLER:FC:ASS'Y	U008_S001_S001	28
D0E36097	FLAT BELT-TRANSFER:INTERMEDIATE TRANSFER:SR	U008_S001_S001	29
D0E36139	BELT CLEANING:INTERMEDIATE TRANSFER	U008_S001_S002	30
D0E36141	CLEANING UNIT:BELT CLEANING:ASS'Y	U008_S001_S002_S001	31
D0E36172	BRACKET:BELT CLEANING:FRONT	U008_S001	32
D0E36180	TONER OUTLET UNIT:BELT CLEANING:ASS'Y	U008_S001_S002_S002	33
D0E36215	GUIDE PLATE:TRANSFER:SECOND:ASS'Y	U009_S002	18
D0E36244	GROUND PLATE:SEPARATION	U009_S002	19
D0E36583	GEAR:USED TONER:INPUT	U010	15
D0E36767	(CHN):DECAL:CAUTION:ORIGINAL:CHINESE	U017	32
D0E36847	(GS4020c):PLATE:MODEL NAME PLATE:GS4020C	U017	33
D0E36848	(GS4025c):PLATE:MODEL NAME PLATE:GS4025C	U017	34
D0E36852	(EU/TWN/CHN):DECAL:MAIN SWITCH:ON-STANDBY	U017	22
D0E36857	(CHN):DECAL:INKJET:TRAY:NO.1	U017	35
D0E36858	(CHN):DECAL:INKJET:CHN:PAPER FEED	U017	36
D0E36859	DECAL:CLEANING:SHIELD GLASS	U001_S002	46
D0E36863	(CHN):DECAL:INKJET:MANUAL FEED	U017	37

Exclusive Parts

Number	Part Name	Group	ID
	ED		
D0E36864	(CHN[IM C2010/C2510]/NA/EU/AAT WN/IND/KOR):PLATE:LOGOTYPE: RIC	U017	10
D0E36865	(AA[IM C2010]/CHN[GS4020c/GS40 25c]):PLATE:LOGOTYPE:GESTETN ER	U017	26
D0E36875	(IM C2010):PLATE:MODEL NAME P LATE:C2010	U017	11
D0E36876	(IM C2510):PLATE:MODEL NAME P LATE:C2510	U017	12
D0E36902	DECAL:SIZE INDICATION:PAPER T RAY	U017	13
D0E37920	COVER:FAN:DEVELOPMENT:RIGH T:ASS'Y	U016_S004	26
D0E37935	CAP:FILTER:ASS'Y	U016_S003	27
D0E37936	CAP:LOUVER:FILTER:LEFT	U016_S003	28
D0E37953	DUCT:SUPPLY:C	U016	29
D0E37968	COVER:FAN:DEVELOPMENT:RIGH T LOWER	U016_S004	30
D0E37982	DUCT:POWER SUPPLY UNIT	U016	31
D0E37983	BRACKET:FAN:POWER SUPPLY U NIT	U016	32
D0E37984	DUCT:REAR:POWER SUPPLY UNI T	U015	67
D0E37985	SEAL:RAIL:PCU:Y	U016	33
D1124264	DECAL:WARNING (HIGH TEMPER ATURE):FUSING	U011_S001	43
D1175303	THERMISTOR:(S33)	U016	34
D1175916	STEPPED SCREW:M3X8:SECOND KIND	U008_S001	34
D1292783	TORQUE LIMITER MECHANICAL C LUTCH:40MM: DIA18	U013_S001_S001	106
D1421805	SHAFT:SCALE	U015_S001	68
D1441085	STEPPED SCREW:M3	U008_S001_S001	35
D1444183	SCREW:M3	U003	36
D1444484	SHOULDER SCREW - M3	U012_S001	32
D1444489	STOPPER:DRIVEN ROLLER	U013_S001_S003	107

Number	Part Name	Group	ID
		U013_S001_S004	107
D1465786	BRACKET:HDD	U015	69
D1471177	TENSION SPRING:ARM:MCPG	U014	43
D1471805	EXPOSURE GLASS:DOCUMENT F EEDER:APPLY	U003	37
D1472734	GUIDE PLATE:SEPARATE	U005_S001_S002	80
		U005_S002_S002	80
D1472737	LEVER:PRESSURE:SEPARATE	U005_S001_S002	81
		U005_S002_S002	81
D1472738	LINK:RELEASE	U005_S001_S002	82
		U005_S002_S002	82
D1472752	SHAFT:SEPARATE:ASS'Y	U005_S001_S002	83
		U005_S002_S002	83
D1473325	TORSION SPRING:STOPPER:TON ER CARTRIDGE:4.8N	U007	26
D1477951	DUCT:SUPPLY:A	U016	35
D1477952	DUCT:SUPPLY:B	U016	36
D1477956	DUCT:EXHAUST:DRIVE:A	U016	37
D1477957	DUCT:EXHAUST:DRIVE:B	U016	38
D1482702	SPACER:TRANSPORT ROLLER	U005_S001	84
		U005_S002	84
D1482751	ARM:PRESSURE:SEPARATE	U005_S001_S002	85
		U005_S002_S002	85
D1482755	COIL SPRING:RELEASE:SEPARAT E	U005_S001_S002	86
		U005_S002_S002	86
D1484690	TORSION SPRING:LINK	U013_S001	108
D1491099	COVER:GRIP:LEFT	U016_S001	39
		U016_S002	39
D1491168	BRACKET:DRIVE:COLLECTION BO TTLE:ASS'Y	U010	16
D1491173	GEAR:IDLER:TONER BOTTLE	U010	17
D1491174	GEAR:COLLECTION BOTTLE	U010	18
D1491195	GEAR:IDLER:PAPER FEED:FEED	U014_S004	44
D1491197	GEAR:IDLER:PAPER FEED:GRIP:N O.1	U014_S004	45
D1491248	HINGE:COVER:FRONT:USED TON ER	U001_S003	47
D1491274	INNER COVER:FRONT:USED TON	U001	48

Exclusive Parts

Number	Part Name	Group	ID
	ER		
D1491278	TORSION SPRING:COVER:USED T ONER	U001	49
D1491338	GUIDE PLATE:PAPER FEED TABL E:FRONT	U016	40
D1491351	DRIVE UNIT:REGISTRATION:ASS'Y	U014_S005	46
D1491352	BRACKET:DRIVE UNIT:REGISTRA TION:ASS'Y	U014_S005	47
D1491355	GEAR:REGISTRATION:NO.1	U014_S005	48
D1491387	GROUND PLATE:DRIVE UNIT:ENGI NE	U014	49
D1491392	FLANGE:PAPER FEED:FEED	U014_S004	50
D1491394	GROUND PLATE:DRIVE UNIT:FUSI NG/PAPER EXIT UNIT	U014	51
D1491706	SYNCHRONOUS BELT:138ST1.5-4. 0	U003	38
D1491798	SEAL:SHEET THROUGH:DOCUME NT FEEDER	U003	39
D1491804	HOLDER:EXPOSURE GLASS:SCA NNER	U003	40
D1491833	SHEET:GLASS	U003	41
D1491840	GROUND PLATE:AKS	U003	42
D1492557	GUIDE:REGISTRATION:ENTRANC E:REAR	U013_S001	109
D1492558	GUIDE:REGISTRATION:ENTRANC E:FRONT	U013_S001	110
D1492562	COLLAR:REGISTRATION ROLLER	U005	87
D1492584	COLLAR:SHAFT:REGISTRATION R OLLER	U009	20
D1492585	GUIDE:REGISTRATION:REAR RIG HT	U009	21
D1492586	GUIDE:REGISTRATION:FRONT RI GHT	U009	22
D1492612	ROLLER:GRIP:DRIVEN	U013_S001_S001	111
D1492613	SHAFT:GRIP:DRIVEN	U013_S001_S001	112
D1492614	TENSION SPRING:GRIP:PRESSUR E	U013_S001_S001	113
D1492633	SHAFT:FEED:MANUAL FEED	U013_S001_S001	114

Number	Part Name	Group	ID
D1492635	TRANSPORT ROLLER:MANUAL FE ED	U013_S001_S001	115
D1492639	SHAFT:PAPER STOPPER	U013_S001_S001	116
D1492642	SHAFT:LINK:PAPER STOPPER	U013_S001_S001	117
D1492655	FEELER:PAPER END SENSOR	U013_S001_S001	118
D1492656	TORSION SPRING:PAPER END SE NSOR	U013_S001_S001	119
D1492693	STOPPER:MANUAL FEED TABLE	U013_S001_S002 S001	120
D1492694	COMPRESSION SPRING:STOPPE R:MANUAL FEED TABLE	U013_S001_S002 S001	121
D1492712	SHEET:GUIDE PLATE:SWIVEL	U005	88
D1492739	LEVER:PRESSURE RELEASE	U005_S001_S002 U005_S002_S002	89 89
D1492772	ARM:PICKUP	U005_S001 U005_S002	90 90
D1492774	PULLEY:IDLER:PICKUP	U005_S001 U005_S002	91 91
D1492777	COIL SPRING:PRESSURE:PICKUP	U005_S001 U005_S002	92 92
D1492781	GROUND PLATE:PAPER FEED UNI T	U005_S001 U005_S002	93 93
D1492787	BRACKET:SUPPORT:COVER	U005	94
D1492788	INNER COVER:HARNESS:PAPER FEED UNIT	U005	95
D1492795	BRACKET:PAPER FEED UNIT:PEE N	U016	41
D1492812	ROLLER:PAPER TRAY:DIA19	U005_S003 U005_S004	96 96
D1492814	COIL SPRING:EARTH	U005_S003 U005_S004	97 97
D1492816	SHAFT:RISE:ASS'Y	U005_S003 U005_S004	98 98
D1492824	LEVER:STOPPER:FRONT	U005_S003 U005_S004_S002	99 99
D1492826	COMPRESSION SPRING:SIDE FEN CE:PLATE:FRONT	U005_S003 U005_S004_S002	100 100
D1492827	COMPRESSION SPRING:SIDE FEN	U005_S003	101

Exclusive Parts

Number	Part Name	Group	ID
	CE:POSITIONING	U005_S004_S002	101
D1492836	GEAR:Z20	U005_S003	102
		U005_S004	102
D1492842	LEVER:END FENCE	U005_S003_S001	103
		U005_S004_S001	103
D1492843	CLICK:END FENCE	U005_S003_S001	104
		U005_S004_S001	104
D1492845	COMPRESSION SPRING:END FENCE:LEVER:5N	U005_S003_S001	105
		U005_S004_S001	105
D1492857	LEVER:RELEASE:INNER:NO.1	U005_S003	106
D1492859	SHAFT:RELEASE:PAPER TRAY:NO.1	U005_S003	107
D1492861	HOLDER:GRIP:PAPER TRAY	U005_S003	108
		U005_S004	108
D1492862	SHAFT:RELEASE:PAPER TRAY:NO.2	U005_S004	109
D1492887	COVER:TRAY:REAR LEFT:NO.1	U005	110
D1492889	COVER:TRAY:REAR LEFT:NO.2	U005	111
D1492898	COVER:HEATER:PAPER TRAY	U018_S004_S001	10
D1492899	HEAT SINK:HEATER	U018_S004_S001	11
D1492903	SUPPORTER:RIGHT:NO.2:ASS'Y	U005_S006	112
D1492905	SUPPORTER:RIGHT:NO.1:ASS'Y	U005_S005	113
D1492918	SUPPORTER:LEFT UPPER:NO.1	U005	114
D1492920	SUPPORTER:RIGHT:PEEN	U005_S006	115
D1492923	ROLLER:SUPPORTER:PAPER TRAY	U005_S006	116
D1492928	ROLLER:SUPPORTER:PAPER TRAY:LEFT	U005	117
D1492930	SUPPORTER:LEFT LOWER:NO.1:PEEN	U005	118
D1492956	ROLLER:SUPPORTER:PAPER TRAY	U005_S005	119
D1492958	ROLLER:SUPPORTER:PAPER TRAY:LEFT	U005	120
D1493210	DC MOTOR:TONER BOTTLE:ASS'Y:5.28W:BRUSH:(M30/M31/M32/M34)	U007_S010	27
		U007_S011	27
		U007_S012	27
		U007_S013	27

Number	Part Name	Group	ID
D1493322	SHUTTER:DUCT:TONER SUPPLY	U007	28
D1493331	COVER:GEAR:TONER SUPPLY SUB-UNIT	U007	29
D1493343	COLLAR:TONER SUPPLY	U007	30
		U007_S003	30
		U007_S010	30
		U007_S011	30
		U007_S012	30
		U007_S013	30
D1493350	DC STEPPER MOTOR:TONER SUPPLY:(M19/M20/M22)	U007_S001	31
		U007_S002	31
		U007_S004	31
D1494209	SHAFT:ON-OFF:PRESSURE ROLLER	U011_S001	44
D1494235	STEPPED SCREW:M3	U011_S001	45
D1494371	BRACKET:PHOTOINTERRUPTOR	U011	46
D1494421	GEAR:EXIT ROLLER	U012_S001	33
D1494422	GEAR:REVERSE ROLLER	U012_S001	34
D1494427	STUD:PULLEY:BRACKET:DC STEPPER MOTOR	U012_S001	35
D1494428	GROUND PLATE:PAPER EXIT UNIT	U012_S001	36
D1494429	PULLEY:GEAR:REVERSE	U012_S001	37
D1494434	TENSION SPRING:LEVER:GATE PAWL	U012_S001	38
D1494463	GROUND WIRE:SENSOR:REVERSE	U012_S001	39
D1494468	SHAFT:DRIVEN:REVERSE ROLLER	U012_S001	40
D1494469	SPRING PLATE:ROLLER:DRIVEN:REVERSE ROLLER	U012_S001	41
D1494471	SHAFT:DRIVEN:REVERSE ROLLER:OUTER	U012_S001	42
D1494474	LINK:END FENCE:TRAY:EXIT	U017	18
D1494484	TORSION SPRING:LEVER:GATE PAWL	U012_S001	43
D1494623	GROUND WIRE:BRACKET:ENTRANCE:DUPLEX	U013	122

Exclusive Parts

Number	Part Name	Group	ID
D1494638	GUIDE:WIRE	U013_S001	123
D1494653	TENSION SPRING:SWIVEL	U013_S001	124
D1494656	HOOK:STOPPER:DUPLEX UNIT:FRONT	U013_S001	125
D1494657	HOOK:STOPPER:DUPLEX UNIT:REAR	U013_S001	126
D1494658	COIL SPRING:LEVER:DUPLEX	U013_S001	127
D1494662	DIFFUSION PLATE:LED	U009_S002	23
D1494672	COMPRESSION SPRING:DRIVEN	U013_S001	128
D1494675	COVER:PUSH SWITCH	U013_S001	129
D1494677	STAY:CONTACT POINT:GUIDE PLATE:DRIVEN	U013_S001	130
D1494688	LINK:DUPLEX:MAIN	U013_S001	131
D1494718	TORSION SPRING:SIDE FENCE:FRONT	U013_S001_S002	132
D1494721	TORSION SPRING:SIDE FENCE:REAR	U013_S001_S002	133
D1494731	COMPRESSION SPRING:RACK:MANUAL FEED	U013_S001_S002	134
D1494755	BRACKET:HINGE:DUPLEX:FRONT	U013	135
D1494777	COMPRESSION SPRING:FLAT CONVEYER BELT:DRIVEN	U013_S001_S003	136
D1495711	BRACKET:ARM:SAFETY SWITCH:FRONT	U013_S001_S004	136
D1495711	BRACKET:ARM:SAFETY SWITCH:FRONT	U015_S001	70
D1495713	ARM:SAFETY SWITCH:FRONT	U015_S001	71
D1495714	SHAFT:ARM:SAFETY SWITCH	U015_S001	72
D1495718	TORSION SPRING:SAFETY SWITCH	U015_S001	73
D1495742	COVER:HARNESS:OPTICAL WRITING UNIT	U015	74
D1495776	COVER:USB:SMALL	U015	75
D1495824	COVER:CONNECTOR:HEATER:0.4MM	U015	76
D1495883	KEYTOP:MAIN SWITCH	U001	51
D1495884	COMPRESSION SPRING:KEYTOP	U001	52
D1496030	CAM:ON-OFF:COLLAR	U008_S001_S001	36
D1496039	COMPRESSION SPRING:LEVER	U008_S001_S001	37
D1496133	VIBRATING PLATE:FRONT:PEEN	U008_S001_S001	38

Number	Part Name	Group	ID
D1496136	VIBRATING PLATE:REAR:PEEN	U008_S001_S001	39
D1496163	TENSION SPRING:SHUTTER:BELT CLEANING	U008_S001_S002	40
		U008_S001_S002	40
D1496173	BRACKET:BELT CLEANING:REAR	U008_S001	41
D1496179	GEAR:IDLER:DISCHARGE USED TONER	U008_S001_S002	42
D1496190	GEAR:DISCHARGE USED TONER	U008_S001_S002	43
D1496195	CAM:DISCHARGE USED TONER	U008_S001_S002	44
D1496226	LEVER:TRANSFER/SEPARATION UNIT:FRONT	U009_S002	24
D1496227	LEVER:SET:FRONT	U009_S002	25
D1496228	TORSION SPRING:LEVER:SET:FRONT	U009_S002	26
D1496229	TENSION SPRING:LEVER:SET	U009_S002	27
D1496231	LEVER:TRANSFER/SEPARATION UNIT:REAR	U009_S002	28
D1496232	LEVER:SET:REAR	U009_S002	29
D1496233	TORSION SPRING:LEVER:SET:REAR	U009_S002	30
D1496242	COMPRESSION SPRING:PRESSURE:TRANSFER ROLLER	U009_S002	31
D1496243	RECEIVE PLATE:COMPRESSION SPRING:TRANSFER ROLLER	U009_S002	32
D1496245	GROUND PLATE:TRANSFER/SEPARATION UNIT	U009_S002	33
D1496248	CAP:LED	U009_S002	34
D1496254	DECAL:GRIP:B:LOWER	U009_S002	35
D1496257	GROUND PLATE:REGISTRATION ROLLER	U009_S002	36
D1496290	GUIDE:SET:TRANSFER/SEPARATION UNIT:FRONT	U009	37
D1496291	GUIDE:SET:TRANSFER/SEPARATION UNIT:REAR	U009	38
D1496295	COVER:HARNESS:TRANSFER/SE	U009	39

Exclusive Parts

Number	Part Name	Group	ID
	PARATION UNIT		
D1496309	SHAFT:ON-OFF:COLLAR:MAIN	U008	45
D1496310	BRACKET:ON-OFF:COLLAR	U008	46
D1496312	JOINT:ON-OFF:COLLAR	U008	47
D1496320	TERMINAL:BIAS:INTERMEDIATE T RANSFER:MAIN	U008	48
D1496321	HOLDER:TERMINAL:INTERMEDIAT E TRANSFER:MAIN	U008	49
D1496552	GEAR:IDLER:Z30	U010	19
D1496554	GEAR:PULLEY:IDLER:Z16	U010	20
D1496555	GEAR:IDLER:Z21	U010	21
D1496556	TENSION SPRING:BELT TENSION ER	U010	22
D1496557	SYNCHRONOUS BELT:40S3M564	U010	23
D1496558	GEAR:IDLER:Z61	U010	24
D1496561	PULLEY:USED TONER	U010	25
D1496562	BRACKET:TIGHTENER:USED TON ER	U010	26
D1496571	BRACKET:PULLEY:IDLER:USED T ONER	U010	27
D1496574	GEAR:PULLEY:IDLER:Z18	U010	28
D1496575	FLANGE:IDLER:USED TONER	U010	29
D1496581	SHAFT:DRIVE:USED TONER:RIGH T	U010	30
D1496582	GEAR:USED TONER:RIGHT	U010	31
D1496586	SHAFT:DRIVE:USED TONER:LEFT	U010	32
D1496587	GEAR:USED TONER:LEFT	U010	33
D1496592	RAIL:COLLECTION BOTTLE	U010	34
D1496893	DECAL:PCU:BLACK	U001	53
D1496894	DECAL:PCU:CYAN	U001	54
D1496895	DECAL:PCU:MAGENTA	U001	55
D1496896	DECAL:PCU:YELLOW	U001	56
D1497923	DUCT:DEVELOPMENT:RIGHT LOW ER	U016_S004	42
D1497932	DUCT:PCU:EXHAUST	U016	43
D1497938	OZONE FILTER	U016_S003	44
D1497955	DUCT:SUPPLY:FAN:UPPER	U016	45
D1497956	DUCT:SUPPLY:FAN:LOWER	U016	46

Number	Part Name	Group	ID
D1497986	GUIDE:THERMISTOR	U016	47
D1502666	GEAR:SIDE FENCE:MANUAL FEED TABLE	U013_S001_S002 S001	137
D1752726	STOPPER:GUIDE PLATE:SWIVEL	U005_S002	121
D1752784	GUIDE PLATE:SENSOR:PAPER FE ED	U005_S001 U005_S002	122 122
D1752854	TENSION SPRING:GRIP:LEFT	U005_S003 U005_S004	123 123
D1752858	LEVER:RELEASE:PAPER TRAY:OU TER	U005_S003 U005_S004	124 124
D1752886	COVER:TRAY:REAR RIGHT:NO.1	U005	125
D1752888	COVER:TRAY:REAR RIGHT:NO.2	U005	126
D1771302	CLEANER:SHIELD GLASS:ASS'Y	U017	19
D1771592	SCREW:M3X6	U014	52
D2021143	JOINT:DRIVE	U014_S004	53
D2021191	GEAR:GRIP:NO.1	U014_S004	54
D2021193	STUD:PAPER FEED:GRIP:ASS'Y	U014_S004	55
D2021195	PULLEY:GRIP:NO.2	U014_S004	56
D2022614	COIL SPRING:RELEASE:PICKUP:M ANUAL FEED	U013_S001_S001	138
D2022619	TORSION SPRING:PICKUP	U013_S001_S001	139
D2022620	SHOE:TORSION SPRING:PICKUP	U013_S001_S001	140
D2022638	FEELER:PAPER SIZE SENSOR:MA NUAL FEED	U013_S001_S002 S001	141
D2022642	PULLEY:WIRE:MANUAL FEED TAB LE	U013_S001_S002 S001	142
D2022646	ARM:MANUAL FEED:REAR UPPER	U013_S001_S002 S001	143
D2022778	FEELER:PAPER END	U005_S001 U005_S002	127 127
D2022791	GUIDE:FEED	U005_S001 U005_S002	128 128
D2024477	REVERSE ROLLER	U012_S001	44
D2024673	FEELER:DUPLEX:ENTRANCE SEN SOR	U013_S001	144
D2024674	TORSION SPRING:DUPLEX:ENTR ANCE SENSOR	U013_S001	145
D2024682	DRIVEN ROLLER:DIA16	U013_S001	146

Exclusive Parts

Number	Part Name	Group	ID
D2024684	GROUND WIRE:BRACKET:DRIVEN ROLLER	U013_S001	147
D2024692	SHAFT:PRESSURE:GUIDE PLATE: UPPER	U013_S001	148
D2024722	LINK:DUPLEX	U013_S001	149
D2024726	TORSION SPRING:LINK:CONTACT POINT	U013_S001	150
D2026255	DECAL:GRIP:B	U009_S002	40
D2391109	BRACKET:DC SOLENOID:ASS'Y	U014	57
D2395889	RAIL:FAX	U015	77
D2411242	COVER:MAIN SWITCH	U005_S003	129
D2411298	INNER COVER:RIGHT	U001	57
D2411308	BAND:STOPPER:DOOR	U001	58
D2411309	MAGNET CATCH:C2	U001_S002	59
D2411378	GEAR:FUSING:NO.3	U014_S002	58
D2411671	PROTECTION:CARRIAGE:SCANNER	U003	43
D2411680	GUIDE ROD	U003	44
D2411681	STAY:GUIDE ROD	U003	45
D2411685	SPRING PLATE:GUIDE ROD	U003	46
D2411686	CLAMP:STAY:GUIDE ROD	U003	47
D2411688	SHEET:GLASS:LARGE	U003	48
D2411689	HOLDER:EXPOSURE GLASS:C2	U003	49
D2411697	SLIDE RAIL	U003	50
D2411698	COVER:BASE:SCANNER	U003	51
D2411701	PULLEY:IDLER:LEADING EDGE	U003	52
D2411702	CAP:PULLEY:IDLER:LEADING EDGE	U003	53
D2411708	TIGHTENER:DIA8	U003	54
D2411710	PULLEY:IDLER:TRAILING EDGE	U003	55
D2411711	CAP:IDLER:TRAILING EDGE	U003	56
D2411712	TENSION SPRING:TIGHTENER:TENSION:4N	U003	57
D2411715	PULLEY:DRIVE	U003	58
D2411716	CAP:PULLEY:DRIVE:UPPER	U003	59
D2411717	CAP:PULLEY:DRIVE:LOWER	U003	60
D2411722	TENSION SPRING:TENSION:11N	U003	61
D2411727	SHEET:GAP:ASS'Y	U003	62

Number	Part Name	Group	ID
D2411741	BRACKET:DOCUMENT FEEDER:LEFT	U003	63
D2411742	BRACKET:DOCUMENT FEEDER:RIGHT	U003	64
D2411767	PLAIN SHAFT BEARING:90ANG	U003_S001	65
D2411768	SLIDE SHOE	U003_S001	66
D2411770	HOLDER:FERRITE CORE	U003	67
D2411796	BRACKET:HEATER:SCANNER	U018_S001	14
D2411797	COVER:HEATER:SCANNER	U018_S001	15
D2412559	SHAFT:REGISTRATION ROLLER:DRIVEN	U005	130
D2412576	GUIDE PLATE:REGISTRATION:FRONT LEFT	U005	131
D2412583	REGISTRATION ROLLER:DRIVE	U009	41
D2412612	DC SOLENOID:PICKUP:ASS'Y:(SO L1)	U013_S001_S001	151
D2412643	ARM:LINK:PAPER STOPPER	U013_S001_S001	152
D2412644	TORSION SPRING:LINK:PAPER STOPPER	U013_S001_S001	153
D2412652	GROUND PLATE:SHAFT:FEED	U013_S001_S001	154
D2412657	GROUND WIRE:MANUAL FEED UNIT:REAR	U013_S001_S001	155
D2412674	GUIDE PLATE:VERTICAL TRANSPORT:NO.2:DRIVEN	U013_S001_S004	156
D2412676	HOLDER:DRIVEN:BELT	U013_S001_S003	157
		U013_S001_S004	157
D2412678	SHAFT:FLAT CONVEYER BELT:DRIVEN	U013_S001_S003	158
		U013_S001_S004	158
D2412682	STAY:REAR:MANUAL FEED TABLE	U013_S001_S002	159
		S001	
D2412719	GROUND PLATE:SENSOR:TRANSPORT	U005_S001	132
		U005_S002	132
D2412730	STAY:SEPARATE:PEEN	U005_S001_S002	133
		U005_S002_S002	133
D2412731	STOPPER:GUIDE PLATE:SWIVEL	U005	134
D2412736	BRACKET:SEPARATE:REAR	U005_S001_S002	135
		U005_S002_S002	135
D2412754	COIL SPRING:PRESSURE:SEPARATE	U005_S001_S002	136

Exclusive Parts

Number	Part Name	Group	ID
	TE	U005_S002_S002	136
D2412760	STAY:PAPER FEED UNIT:UPPER:PEEN	U005_S001	137
		U005_S002	137
D2412762	TRANSPORT ROLLER:VERTICAL TRANSPORT:ASS'Y	U005_S001	138
		U005_S002	138
D2412792	TORQUE LIMITER MECHANICAL CLUTCH:40MNM:DIA18	U005_S001	139
		U005_S002	139
D2412896	SHEET:HEAT SINK:HEATER	U018_S004_S001	16
D2412991	PLAIN SHAFT BEARING:INNER:DRIVE:REGISTRATION ROLLER	U009	42
D2412993	STOPPER:REGISTRATION ROLLER	U009	43
D2412994	COMPRESSION SPRING:REGISTRATION:INNER:DRIVE	U009	44
D2413336	COVER:GEAR:TONER SUPPLY SUB-UNIT:C	U007	32
D2414023	HOLDER:DRIVEN ROLLER:FUSING EXIT:FRONT	U011_S001	47
D2414024	HOLDER:DRIVEN ROLLER:FUSING EXIT:REAR	U011_S001	48
D2414108	GUIDE:FUSING EXIT:LEFT	U011_S001	49
D2414123	DISCHARGE BRUSH:PRESSURE ROLLER	U011_S001	50
D2414137	LEVER:PRESSURE:FRONT:PEEN	U011_S001	51
D2414140	HOLDER:PRESSURE:FRONT:ASS'Y	U011_S001	52
D2414155	HOLDER:PRESSURE:REAR:ASS'Y	U011_S001	53
D2414160	LEVER:PRESSURE:REAR:PEEN	U011_S001_S001	54
D2414215	GUIDE:FUSING EXIT:RIGHT:ASS'Y	U011_S001	55
D2414219	DECAL:C:GUIDE PLATE:FUSING EXIT	U011_S001	56
D2414221	STRIPPER PLATE:FUSING EXIT:ASS'Y	U011_S001	57
D2414252	FUSING ENTRANCE GUIDE PLATE	U011_S001	58
D2414332	HOUSING:THERMOSTAT	U011_S001	59
D2414334	COVER:HOUSING:THERMOSTAT	U011_S001	60
D2414337	TERMINAL:THERMOSTAT:DRAWER	U011_S001	61

Number	Part Name	Group	ID
D2414338	TERMINAL:THERMOSTAT:HEATER	U011_S001	62
D2414342	HOUSING:NON-CONTACT TYPE THERMISTOR	U011_S001	63
D2414354	BRACKET:DRAWER:MAIN	U011	64
D2414365	HOLDER:THERMOPILE	U011	65
D2414367	STOPPER:THERMOPILE	U011	66
D2414458	GUIDE:COVER:UPPER	U001	60
D2414461	GUIDE PLATE:REVERSE:UPPER	U012_S001	45
D2414476	EXIT ROLLER	U012_S001	46
D2414481	GATE PAWL:EXIT	U012_S001	47
D2414483	LEVER:GATE PAWL	U012_S001	48
D2414499	COMPRESSION SPRING:BASE:TRAY:EXIT	U012	49
D2414635	SHEET:CUSHION	U013_S001	160
D2414640	TRANSPORT ROLLER:EXIT:DIA8	U013_S001	161
D2414642	TRANSPORT ROLLER:DUPLEX:1	U013_S001	162
D2414643	TRANSPORT ROLLER:ENTRANCE	U013_S001	163
D2414648	BRACKET:SWIVEL:PEEN	U013_S001	164
D2414652	GEAR:PULLEY:SWIVEL	U013_S001	165
D2414676	LEVER:PRESSURE:DUPLEX	U013_S001	166
D2414677	COMPRESSION SPRING:EXIT:UPPER	U013_S001	167
D2414681	BRACKET:MOTOR:PEEN	U013_S001	168
D2414684	GEAR:OUTPUT	U013_S001	169
D2414694	CAP:BELT:DUPLEX	U013_S001	170
D2414697	GROUND WIRE:EXIT SENSOR:DUPLEX	U013_S001	171
D2414707	GEAR:FEED:MANUAL FEED:DRIVE	U013_S001	172
D2414708	GEAR:SEPARATOR:MANUAL FEED:DRIVE	U013_S001	173
D2414709	GEAR:TRANSPORT ROLLER:MANUAL FEED	U013_S001	174
D2414710	GEAR:IDLER	U013_S001	175
D2414750	BRACKET:MOTOR:DUPLEX	U013	176
D2414761	DRIVEN ROLLER:DIA16	U013_S001	177
D2414762	DRIVEN ROLLER:DIA18	U013_S001	178
D2414763	GUIDE:HARNES:ENTRANCE SENSOR:DUPLEX	U013_S001	179

Exclusive Parts

Number	Part Name	Group	ID
D2414765	PULLEY:T26	U013_S001	180
D2414766	PULLEY:T26/T26	U013_S001	181
D2414923	STAY:CONTACT POINT:DUPLEX	U013_S001	182
D2414937	TENSION SPRING:GATE:REVERS E	U012_S001	50
D2414941	GATE PAWL:REVERSE:FRONT MI DDLE	U012_S001	51
D2414942	GATE PAWL:REVERSE:REAR MID DLE	U012_S001	52
D2414943	GATE PAWL:REVERSE:REAR	U012_S001	53
D2414946	SHAFT:GATE PAWL:REVERSE	U012_S001	54
D2414947	GATE PAWL:REVERSE:FRONT	U012_S001	55
D2414950	ROLLER:EXIT:PRESSURE:2TYPE: ASS'Y	U012_S001_S001	56
D2414955	HOLDER:ROLLER:EXIT:PRESSUR E:2TYPE	U012_S001	57
D2414957	SHAFT:ROLLER:PRESSURE:EXIT: 2TYPE	U012_S001_S001	58
D2414962	ROLLER:DRIVEN:EXIT	U012_S001_S001	59
D2414964	ROLLER:EXIT:PRESSURE	U012_S001_S001	60
D2414965	COLLAR:ROLLER:EXIT:PRESSURE	U012_S001_S001	61
D2414971	LINK:PLATE:EXIT	U012	62
D2414972	GUIDE:PLATE:EXIT	U012	63
D2414976	ROLLER:EXIT:PRESSURE:MIDDLE	U012_S001_S001	64
D2414977	ROLLER:DRIVEN:EXIT:MIDDLE	U012_S001_S001	65
D2414978	COLLAR:ROLLER:EXIT:PRESSURE :BOTH ENDS	U012_S001_S001	66
D2414981	COIL SPRING:ROLLER:PRESSURE :EXIT	U012_S001	67
D2414992	DISCHARGE BRUSH:EXIT	U012_S001	68
D2414996	DC SOLENOID:ASS'Y:(SOL2)	U012_S001	69
D2414998	CUSHION:DC SOLENOID:4MM	U012_S001	70
D2415738	BRACKET:MAIN SWITCH	U015	78
D2415764	COVER:POWER PACK:CB	U015	79
D2415800	RACK:RIGHT:AUXILIARY	U015	80
D2415801	COVER:RACK:REAR	U015	81
D2415803	GUIDE:HARNESS:C/T BOX	U015	82
D2415831	CAP:GUIDE:WIRE	U015	83

Number	Part Name	Group	ID
D2415832	CAP:GUIDE:COIL SPRING	U015	84
D2415841	BASE:GUIDE:WIRE	U015	85
D2415842	COVER:GUIDE:WIRE	U015	86
D2415850	WIRE:CHARGE:K	U015	87
D2415851	WIRE:DEVELOPMENT:K	U015	88
D2415852	WIRE:CHARGE:C	U015	89
D2415853	WIRE:DEVELOPMENT:C	U015	90
D2415854	WIRE:CHARGE:M	U015	91
D2415855	WIRE:DEVELOPMENT:M	U015	92
D2415856	WIRE:CHARGE:Y	U015	93
D2415857	WIRE:DEVELOPMENT:Y	U015	94
D2415875	WIRE:CHARGE:CB	U015	95
D2415876	WIRE:DEVELOPMENT:CB:K	U015	96
D2415877	WIRE:DEVELOPMENT:CB:C	U015	97
D2415878	WIRE:DEVELOPMENT:CB:M	U015	98
D2415879	WIRE:DEVELOPMENT:CB:Y	U015	99
D2416240	LEVER:PRESSURE:TRANSFER RO LLER:FRONT:DIA19.5	U009_S002	45
D2416241	LEVER:PRESSURE:TRANSFER RO LLER:REAR:DIA19.5	U009_S002	46
D2416250	GROUND WIRE:BRACKET:ENTRA NCE SENSOR	U009_S002	47
D2416256	GROUND PLATE:GUIDE:TRANSPO RT	U009_S002	48
D2416258	COVER:TRANSFER/SEPARATION UNIT	U009_S002	49
D2416275	SHEET:ENTRANCE:TRANSFER	U009_S002	50
D2416290	LED:RED	U009_S002	51
D2416346	PLAIN SHAFT BEARING:ROLLER:B ACK UP:FRONT:PRESS FIT	U008_S001_S001	50
D2416347	PLAIN SHAFT BEARING:ROLLER:B ACK UP:REAR:PRESS FIT	U008_S001_S001	51
D2417913	DUCT:OPTICAL WRITING UNIT	U001_S001	61
D2417941	DUCT:EXHAUST:UPPER:A	U016	48
D2417942	DUCT:EXHAUST:UPPER:B	U016	49
D2417943	DUCT:EXHAUST:UPPER:C	U016	50
D2417944	DUCT:EXHAUST:UPPER:D	U016	51
D2417983	DUCT:DEVELOPMENT:REAR:A	U016	52

Exclusive Parts

Number	Part Name	Group	ID
D2417984	DUCT:DEVELOPMENT:REAR:B	U016	53
D2426432	FEELER:COLLECTION BOTTLE	U010_S001	35
D2442093	DISCHARGE LAMP:LED ARRAY:30	U006	20
D2444262	FUSING COVER:LOWER	U011_S001	67
D3G32202	(EU/AA/IND/CHN/KOR):HEATER:PHOTOCONDUCTOR:ASS'Y	U018_S002	23
D3G36650	(EU/AA/IND/CHN/KOR):ELECTRICAL COMPONENTS SECTION:SCANNER 200V:ASS'Y	U018_S003	24
D3G36662	(EU/AA/IND/CHN/KOR):ELECTRICAL COMPONENTS SECTION:PAPER TRAY 200V:ASS'Y	U018_S005	25
D6842163	SYNCHRONOUS BELT:40S2M122	U012_S001	71
G1045141	(CHN):KNOB SCREW:M3	U015	107
GA003929	DECAL:OPERATE:4X27	U011_S001	68
GA003930	DECAL:LEVER:FRONT:FUSING	U011_S001	69
GA003931	DECAL:LEVER:REAR:FUSING	U011_S001	70
GA003932	DECAL:LEVER:RELEASE	U011_S001	71
GA003933	DECAL:OPERATE:4X10.5	U011_S001	72
GA003934	DECAL:OPERATE:4X41	U008_S001	52
GA003960	DECAL:POSITIONING DISPLAY:6.5X9	U008	53
GA003969	DECAL:POSITIONING DISPLAY:FUSING UNIT:MAIN	U016	54
GA003995	DECAL:DESIGN SKETCH:BLACK	U006_S001	21
GA003996	DECAL:DESIGN SKETCH:CYAN	U006_S002	22
GA003997	DECAL:DESIGN SKETCH:MAGENTA	U006_S003	23
GA003998	DECAL:DESIGN SKETCH:YELLOW	U006_S004	24
GA143003	SCREW:MM5:2.5MM	U005	140
		U009_S002	52
GW010007	PHOTO REFLECTION SENSOR:EXIT:(S3/S9/S10/S14/S16/S24)	U005	141
		U005_S001	141
		U005_S002	141
		U012_S001	72
		U013_S001	183
GW010009	DENSITY SENSOR:(S48)	U008	54
GW020026	PHOTOINTERRUPTOR:LG2A24RL	U003	68

Number	Part Name	Group	ID
	1G:(S2/S34/S42)	U009	53
		U010	36
GW140027	TEMPERATURE & HUMIDITY SENSOR:(S41)	U008	55
GW230008	TONER END SENSOR:(S28/S29/S30/S31)	U007_S001	33
		U007_S002	33
		U007_S003	33
		U007_S004	33
M0262734	DECAL:H-TEMP WARNING:HEATER	U018_S004_S001	18
M0662743	FRICTION PAD:MANUAL FEED TABLE:18X7.5	U013_S001_S002_S001	184
M0AJ1092	CAM:LOCK:PCU	U016	55
M0AJ1093	COMPRESSION SPRING:LOCK:PCU	U016	56
M0AJ1384	BRACKET:INPUT:FUSING DRIVE UNIT	U014	59
M0AJ4271	COVER:LEVER:FUSING:REAR	U011_S001	73
M0AJ4272	HOOK:FUSING:REAR	U011_S001	74
M0AJ4273	LEVER:FUSING	U011_S001	75
M0AJ4278	COVER:LEVER:FUSING:FRONT	U011_S001	76
M0AJ4279	HOOK:FUSING:FRONT	U011_S001	77
M0AJ4981	DECAL:EXIT:GUIDE P:LOWER:MIDDLE	U012_S001	73
M0AJ4982	DECAL:EXIT:GUIDE P:LOWER:INNER BACK	U012_S001	74
M0AJ6036	CAM:ON-OFF:BK:P2	U008_S001_S001	56
M0AJ6037	STOPPER:RIGHT:INTERMEDIATE TRANSFER:P2	U008_S001_S001	57
M0AJ7991	DUCT:DEVELOPMENT:EXHAUST:A	U016	57
M0AJ7992	DUCT:DEVELOPMENT:EXHAUST:B	U016	58
M0AJ7993	DUCT:DEVELOPMENT:EXHAUST:C	U016	59
M0AJ7994	SEAL:CAP:FILTER	U016	60
M0AJ7995	SEAL:DUCT:DEVELOPMENT:EXHAUST	U016	61
M0B19500	USB 3.0 CARD READER	SPECIAL TOOLS	8
M0BW6228	TORSION SPRING:SEPARATION/T	U009_S002	54

Exclusive Parts

Number	Part Name	Group	ID
	RANSPORT:28N		
M0BW6246	LINK:TRANSFER/SEPARATION UNIT:MO	U009_S002	55
VSSG0006	DRYSURF:MDF-2400E 25G	SPECIAL TOOLS	9
VSSG9002	FLUOTRIBO MG GREASE: 100G	SPECIAL TOOLS	10
VSSG9006	MOLYKOTE(R) G-1077 GREASE 50G (Noise-reduction grease)	SPECIAL TOOLS	11
VSSG9008	FLOIL-G348 GREASE 20G	SPECIAL TOOLS	12
VSST9003	C-5Y COLOR TEST CHART (2 SHEETS X 3 / set)?	SPECIAL TOOLS	13

Standard Parts



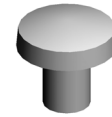
03130060N
SCREW - M3X6



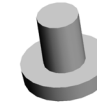
03140120N
SCREW - M4X12



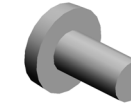
03530030N
SCREW:M3X3



03530040N
SCREW - M3X4



03530040P
SCREW - M3X4



03530060N
BIND SCREW - M3X6



03530060P
SCREW:M3X6



03603006N
SCREW - M3X6



03603006P
SCREW - M3X6



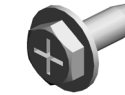
03603016N
SCREW - M3X16



04503035N
TAPPING SCREW:3X35



04513006N
TAPPING SCREW - 3X6



04513008N
TAPPING SCREW - M3X8



04513025N
TAPPING SCREW:M3X25



04533008N
BINDING SELF TAPPING SCREW:3X8



04543006N
TAPPING SCREW:ROUND POINT:3X6



04543006Q
TAPPING SCREW - M3X6



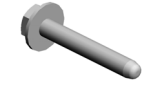
04543008N
TAPPING SCREW:ROUND POINT:3X8



04543008Q
TAPPING SCREW:3X8



04543010Q
TAPPING SCREW:3X10



04543020Q
TAPPING SCREW::3X20



04583008N
HEXAGON HEAD TAPPING SCREW:3X8



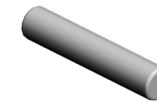
04583010N
HEXAGON HEAD TAPPING SCREW:3X10



04593008N
BINDING HEAD TAPPING SCREW:3X8



04593010N
BINDING HEAD TAPPING SCREW:3X10



06320100G
PIN - 2X10MM



06330100G
PARALLEL PIN - 3X10



07200020G
RETAINING RING - M2

Standard Parts



07200025E
RETAINING RING - M2.5



07200030E
RETAINING RING - M3



07200040E
RETAINING RING - M4



07200060E
RETAINING RING - M6



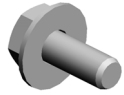
07250170E
RETAINING RING C - M17



08025299
TAPPING SCREW - M3X8



08025328
HEXAGON HEAD TAPPING S
CREW:3X40



08046123
HEXAGONAL BOLT:W/WASH
ER:M3X8



08046128
HEXAGONAL BOLT:DOUBLE
SCREW:M3X10



08050089
RETAINING RING - M4



08050100
RETAINING RING - M2.5



08050103
RETAINING RINGS-E:SILENC
ER:DIA3



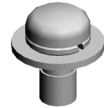
08050104
RETAINING RINGS-E:SILENC
ER:DIA4



08050106
RETAINING RINGS-E:SILENC
ER:DIA6



09543005N
SCREW:POLISHED ROUND/
SPRING:M3X5



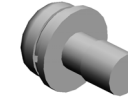
09544008N
SCREW - M4X8



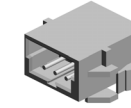
09573006N
SCREW:SMALL ROUND/SPRI
NG:M3X6



09573010N
SCREW:SMALL ROUND/SPRI
NG:M3X10



09574008N
SCREW:SMALL ROUND/SPRI
NG:M4X8



11024559
CONNECTOR - 3P



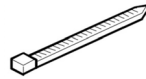
11035890
CONNECTOR:QR/P17-RC-14
S



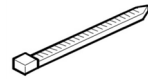
11036252
CONNECTOR:16R-GRM-DH3
GB-RG-A



11036266
CONNECTOR:16RG022-3218



11050042
WIRE BAND



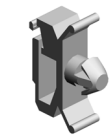
11050046
HARNESS BAND



11050488
HARNESS CLAMP

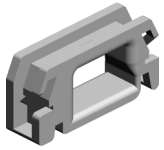


11050692
CLAMP:LES-0503

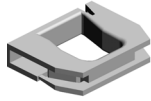


11050713
CLAMP:LWSM-0306H GRAY

Standard Parts



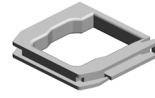
11050723
CLAMPS:WES-0507



11050724
CLAMPS:WES-1210



11050725
CLAMPS:WES-1117



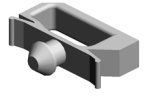
11050726
CLAMPS:WES-2217



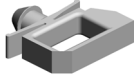
11050758
CLAMP:LWSM-0306A



11050759
CLAMP:LWSM-0605A



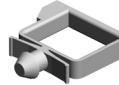
11050760
CLAMP:LWSM-0511A



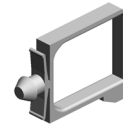
11050762
CLAMP:LWS-0711A



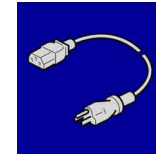
11050763
CLAMP:LWS-1211A



11050764
CLAMP:LWS-1316A



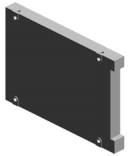
11050765
CLAMP:LWS-2218A



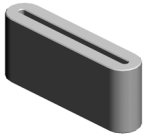
11500509
(CHN):POWER SUPPLY COR
D:250V:10A



12042612
MICRO SWITCH:D3V-16506-3
C25:(SW2)



14078925
ROM STORAGE:SSD SATA 2
56GB GEN2



16072525
FERRITE CORE:K3 FF 35.00X
14.60X7.70X1.40

PM Part List

Number	Part Name	Num	Group	ID
D0DZ2205	PCU:KCMY:IMC2010-2510	4	U006_S001_S002	9
			U006_S002_S002	9
			U006_S003_S002	9
			U006_S004_S002	9
D0E37935	CAP:FILTER:ASS'Y	1	U016_S003	27

Design Change List

Number	Title	Set	Old Part		New Part		Index No.		Q'ty	Interchg		Reason	Cut-in S/N
			P/N	Name	P/N	Name	Group	ID		Indiv.	Set		
202309-03	2309 Modification	-			D0E31516	TOUCH PANEL:ASSY	U002_S001	14	1				
202309-04	2309 Modification	-			D0E35156	POWER PACK:CB:(PCB19)	U015	57	1				

