

IEEE 1284 Interface Board Type M19 (D3C017)
 File Format Converter Type M19 (D3BR04)
 Device Server Option Type M37 (D3GF10, 11)
 VM CARD Type M37 (D3GF32)
 DataOverwriteSecurity Unit Type M19 (D3BS03)
 Caster Table Type M3 (D17802)
 External Keyboard Bracket Type M19 (D3BR10)
 Camera Direct Print Card Type M37 (D3GF30)
 XPS Direct Print Option Type M37
 (D3GF19, 20, 21)
 SD Card for Fonts Type D (D64154)

IEEE 802.11a/g/n Interface Unit Type M19 (D3BR01)
 Memory Unit Type M37 4GB (D3GF08)
 OCR Unit Type M13 (D3AC23, 24, 25)
 Enhanced Security HDD Option Type M12 (D3A602)
 Platen Cover PN2000 (D70001)
 Imageable Area Extension Unit Type M19
 (D3BR07)
 PostScript3 Unit Type M37 (D3GF26, 27, 28)
 NFC Card Reader Type M37 (D3GF34)
 Smart Card Reader Built-in Unit Type M37
 (D3GF35)

PARTS CATALOG

This catalog gives the numbers and names of parts on this machine.

CONTENTS

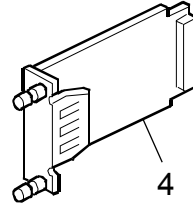
1. Controller Option -1	2 P
2. Controller Option -2	4 P
3. Other Option	6 P
4. Caster Table Type M3	8 P
5. Platen Cover PN2000	10 P
6. Parts Index	12 P

1. Controller Option-1

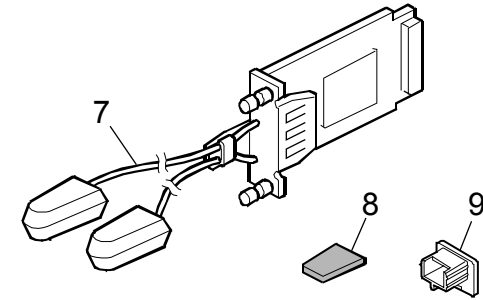
OCR Unit Type M13 (D3AC23, 24, 25)



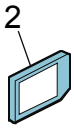
File Format Converter Type M19 (D3BR04)



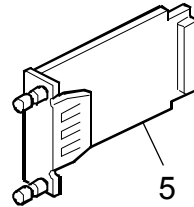
IEEE 802.11a/g/n Interface Unit Type M19 (D3BR01)



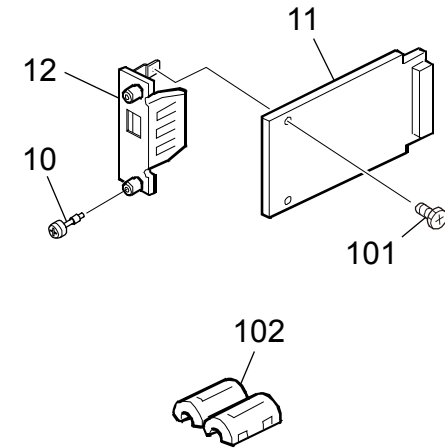
VM CARD Type M37 (D3GF32)



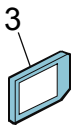
IEEE 1284 Interface Board Type M19 (D3C017)



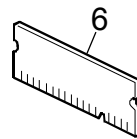
Device Server Option Type M37 (D3GF10, 11)



DataOverwriteSecurity Unit Type M19 (D3BS03)



Memory Unit Type M37 4GB (D3GF08)



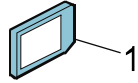
1. Controller Options-1

Index No.	Part No.	Description	Q'ty Per Assembly
1	D3AC5023	SD-CARD:OCR:15S:ASS'Y	1
2	D3GF5032	SD-CARD:ASS'Y	1
3	D3BS5003	SD-CARD:ASS'Y	1
4	D3BR5603	PCB:MLB32:ASS'Y	1
5	D3C05601	PCB:IEEE1284:ASS'Y	1
6	D0BQ5618	PCB:DDR3L-DIMM:4GB	1
7	D3BR5204	PCB:WLAN_RIO4_EXT:ASS'Y	1
8	D3775698	VELCRO FASTENER:COVER:ANTENNA:250	2
9	B1295008	CAP - LAN CONNECTOR	1
10	AA141008	PANEL KNOB SCREW	2
11	D3BC5635	PCB:PS-TYPE-D	1
12	D3BC5675	PANEL:INTERFACE:PS-TYPE-D:ASS'Y	1

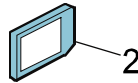
Index No.	Part No.	Description	Q'ty Per Assembly
101	8010212	FLAT SCREW:M3X4	2
102	16072595	FERRITE CORE:GRFC-13	2

2. Controller Options-2

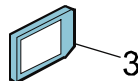
SD Card for Fonts Type D (D64154)



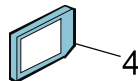
Camera Direct Print Card Type M37 (D3GF30)



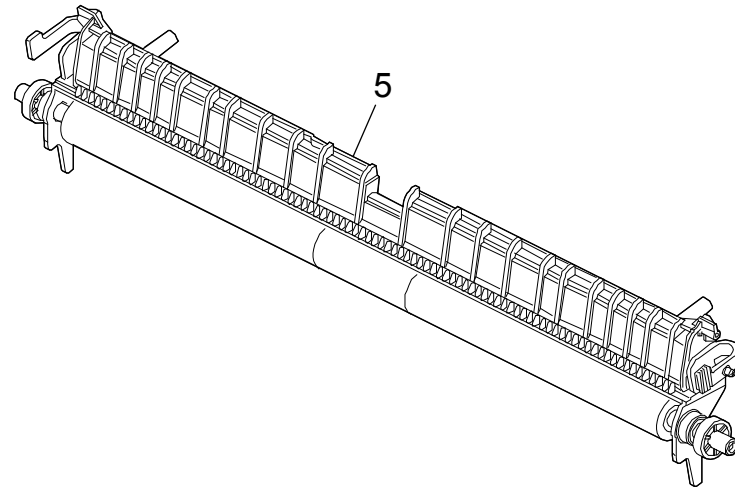
PostScript3 Unit Type M37 (D3GF26, 27, 28)



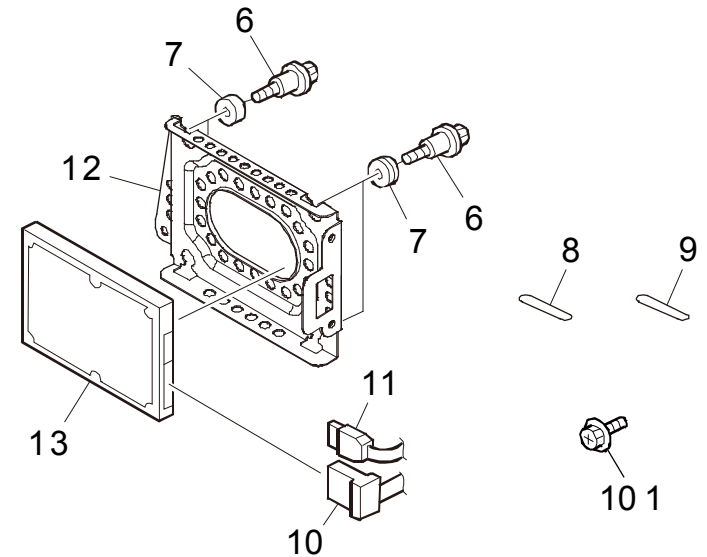
XPS Direct Print Option Type M37 (D3GF19, 20, 21)



Imageable Area Extension Unit Type M19 (D3BR07)



Enhanced Security HDD Option Type M12 (D3A602)



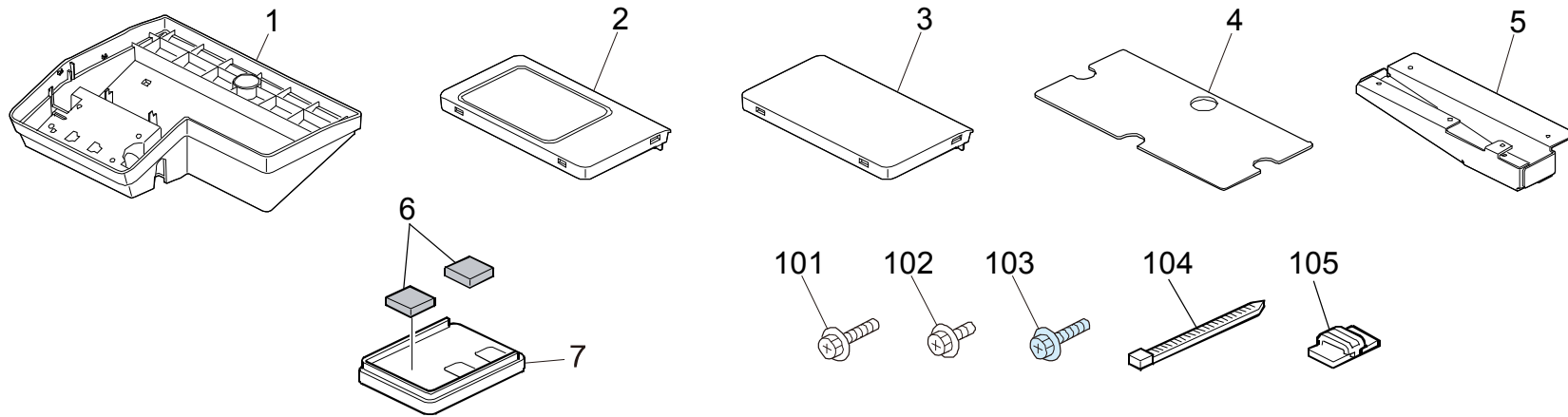
2. Controller Options-2

Index No.	Part No.	Description	Q'ty Per Assembly
1	D6416154	SD-CARD:FONTSD:11A:ASS'Y	10
2	D3GF5130	SD-CARD:ASS'Y	1
3	D3GF5026	SD-CARD:ASS'Y	1
4	D3GF5019	SD-CARD:ASS'Y	1
5	D3BR6211	TRANSFER ROLLER:SECOND:DIA 19.5:OPTION:ASS'Y	1
6	AA143848	STEPPED SCREW - M3	4
7	AA161125	RUBBER CUSHION	4
8	D1491544	SHEET:APPLICATION:DOC (NA)	1
9	D1491549	SHEET:APPLICATION:DOC (EU)	1
10	D2025250	CABLE:HDD:SATA:POWER_3P:105	1
11	D2025251	CABLE:HDD:SATA:RED_105	1
12	D2025818	BRACKET:HDD	1
13	RE010393	HDD:320GB:FIPS	1

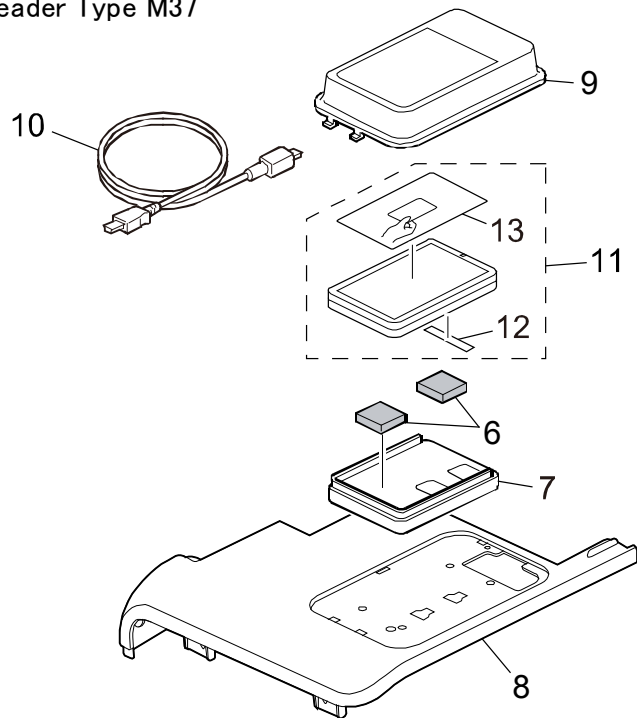
Index No.	Part No.	Description	Q'ty Per Assembly
101	03603006N	SCREW - M3X6	3

3. Other Option

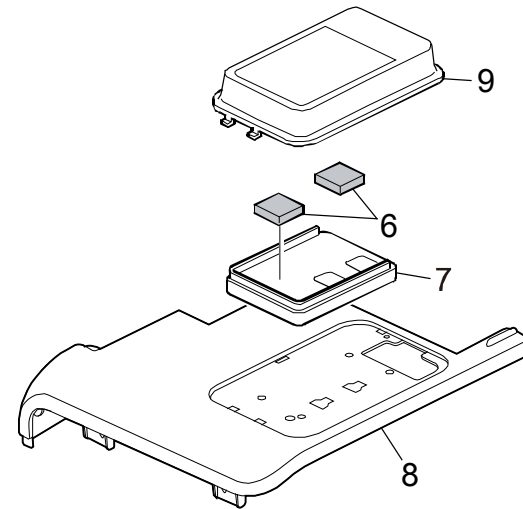
External Keyboard Bracket Type M19 (D3BR10)



NFC Card Reader Type M37 (D3GF34)



Smart Card Reader Built-in Unit Type M37 (D3GF35)



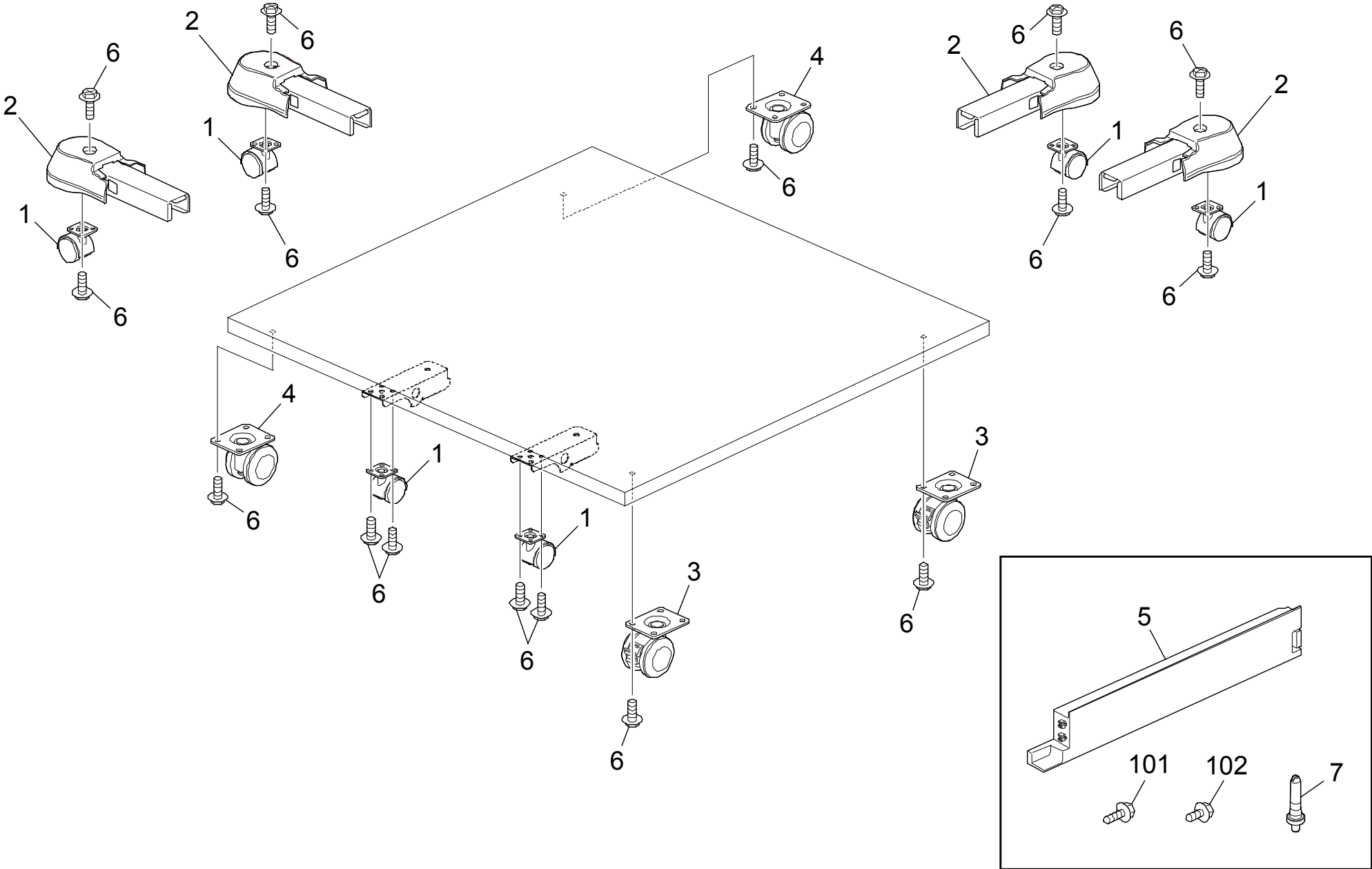
3. Other Option

Index No.	Part No.	Description	Q'ty Per Assembly
1	D3BR1211	CASE:KEYBOARD:OPTION	1
2	D3BR1212	COVER:IC CARD:ASS'Y	1
3	D3BR1215	COVER:IC CARD:BLANK	1
4	D3BR1216	BASE:KEYBOARD	1
5	D3BR1217	BRACKET:KEYBOARD:OPTION	1
6	D7391224	SPONGE:20X20	6
7	D7391225	SPACER:IC CARD	3
8	D3GF1211	COVER:FRONT:UPPER	1
9	D3BS1212	COVER:IC CARD:ASS'Y	1
10	D3GF1420	CABLE:USB_MINI-B/MINI-B:600	1
11	D3BS5501	IC CARD:NFC_R/W:ASS'Y	1
12	A5141200	DECAL:SERIALNUMBER SHEET:FJI	1
13	D3BS7710	DECAL:LENGTHWISE:NFC_R/W_TR63036	1

Index No.	Part No.	Description	Q'ty Per Assembly
101	04514014N	TAPPING SCREW:M4X14	2
102	04543008N	TAPPING SCREW:ROUND POINT:3X8	4
103	04543014Q	TAPPING SCREW:3X14	1
104	11050042	WIRE BAND	3
105	11050688	CLAMP:KS-15	1

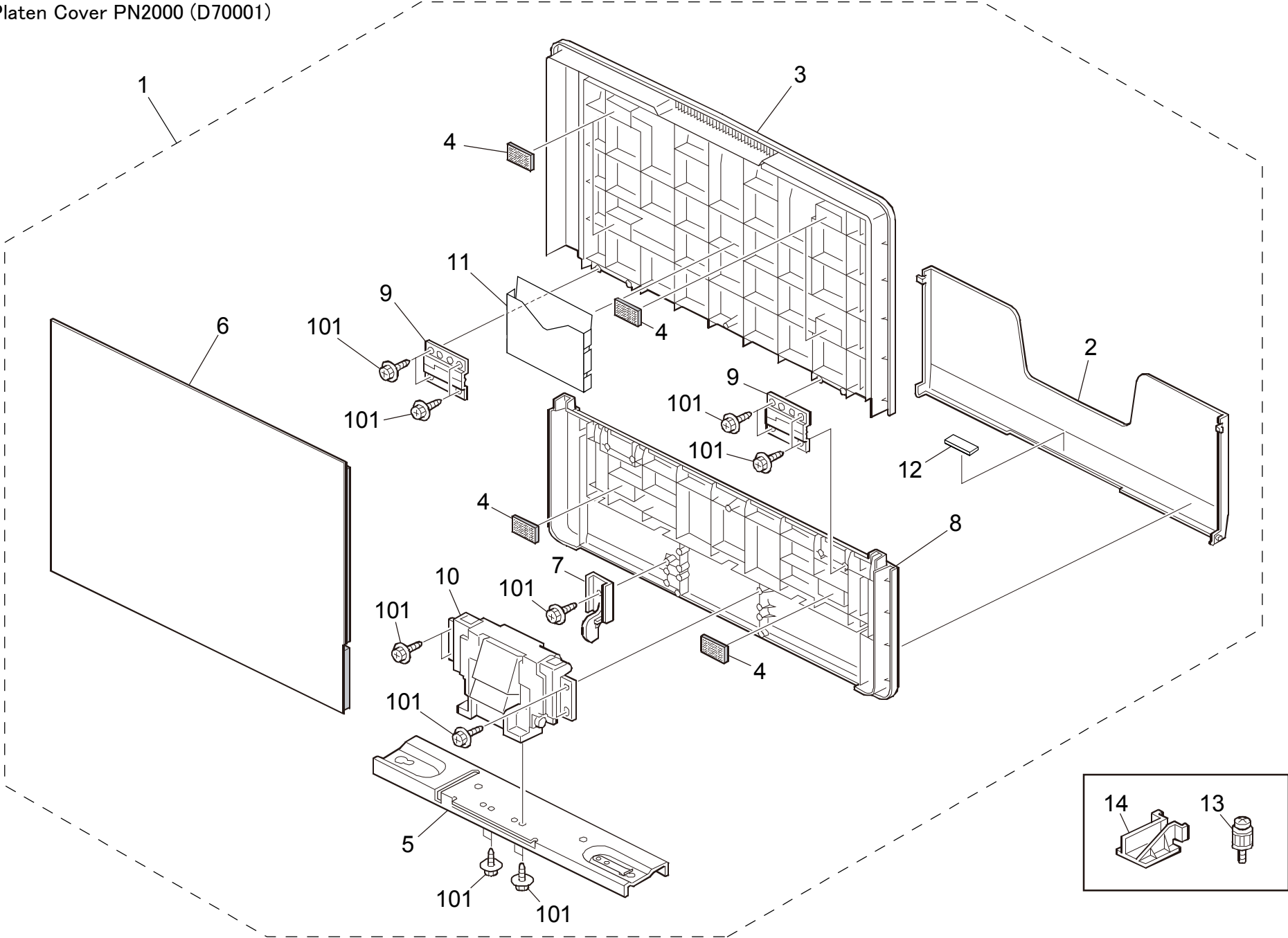
4. Caster Table Type M3

Caster Table Type M3 (D17802)



5. Platen Cover PN2000

Platen Cover PN2000 (D70001)



6. Parts Index

Part No.	Description	Page and Index No.
8010212	FLAT SCREW:M3X4	1 - 101
11050042	WIRE BAND	3 - 104
11050688	CLAMP:KS-15	3 - 105
16072595	FERRITE CORE:GRFC-13	1 - 102
03603006N	SCREW - M3X6	2 - 101
03604010N	SCREW:M4X10	4 - 101
04504012N	TAPPING SCREW:4X12	5 - 101
04514014N	TAPPING SCREW:M4X14	3 - 101
04543008N	TAPPING SCREW:ROUND POINT:3X8	3 - 102
04543008N	TAPPING SCREW:ROUND POINT:3X8	4 - 102
04543014Q	TAPPING SCREW:3X14	3 - 103
A5141200	DECAL:SERIALNUMBER SHEET:FJI	3 - 14
AA141008	PANEL KNOB SCREW	1 - 10
AA143830	GUIDE PIN:PRESSURE PLATE:HINGE	5 - 13
AA143848	STEPPED SCREW - M3	2 - 6
AA161125	RUBBER CUSHION	2 - 7
B1295008	CAP - LAN CONNECTOR	1 - 9
C4106032	CASTER:DIA30	4 - 1
D0BQ5618	PCB:DDR3L-DIMM:4GB	1 - 6
D1491268	COVER:RIGHT:LOWER	4 - 5
D1491544	SHEET:APPLICATION:DOC (NA)	2 - 8
D1491549	SHEET:APPLICATION:DOC (EU)	2 - 9
D1781064	STUD:POSITIONING:TABLE:CASTER	4 - 7
D2025250	CABLE:HDD:SATA:POWER_3P:105	2 - 10
D2025251	CABLE:HDD:SATA:RED_105	2 - 11
D2025818	BRACKET:HDD	2 - 12
D3511119	CASTER:DIA50H59:STOPPER:YES	4 - 3
D3511121	CASTER:DIA50H59:STOPPER:NO	4 - 4
D3775698	VELCRO FASTENER:COVER:ANTENNA:250	1 - 8
D3AC5023	SD-CARD:OCR:15S:ASS'Y	1 - 1

Part No.	Description	Page and Index No.
D3BC5635	PCB:PS-TYPE-D	1 - 11
D3BC5675	PANEL:INTERFACE:PS-TYPE-D:ASS'Y	1 - 12
D3BR1211	CASE:KEYBOARD:OPTION	3 - 1
D3BR1212	COVER:IC CARD:ASS'Y	3 - 2
D3BR1215	COVER:IC CARD:BLANK	3 - 3
D3BR1216	BASE:KEYBOARD	3 - 4
D3BR1217	BRACKET:KEYBOARD:OPTION	3 - 5
D3BR5204	PCB:WLAN_RIO4_EXT:ASS'Y	1 - 7
D3BR5603	PCB:MLB32:ASS'Y	1 - 4
D3BR6211	TRANSFER ROLLER:SECOND:DIA19.5:OPTION:ASS'Y	2 - 5
D3BS1212	COVER:IC CARD:ASS'Y	3 - 9
D3BS5003	SD-CARD:ASS'Y	1 - 3
D3BS5501	IC CARD:NFC_R/W:ASS'Y	3 - 13
D3BS7710	DECAL:LENGTHWISE:NFC_R/W_TR63036	3 - 15
D3C05601	PCB:IEEE1284:ASS'Y	1 - 5
D3GF1211	COVER:FRONT:UPPER	3 - 8
D3GF1420	CABLE:USB_MINI-B/MINI-B:600	3 - 10
D3GF5019	SD-CARD:ASS'Y	2 - 4
D3GF5026	SD-CARD:ASS'Y	2 - 3
D3GF5032	SD-CARD:ASS'Y	1 - 2
D3GF5130	SD-CARD:ASS'Y	2 - 2
D5931396	HOLDER:ORIGINAL	5 - 2
D5931398	HOLDER:SHEET:PRESSURE PLATE	5 - 11
D6416154	SD-CARD:FONTSD:11A:ASS'Y	2 - 1
D6931221	COVER:ARM	4 - 2
D7001233	PRESSURE PLATE:OPTION:ASS'Y	5 - 1
D7001355	HINGE:PRESSURE PLATE:NON DAMPER:ASS'Y	5 - 10
D7001358	TAPE:PRESSURE PLATE:UPPER	5 - 4
D7001359	BRACKET:PRESSURE PLATE:ASS'Y	5 - 5
D7001371	SHEET:PRESSURE PLATE:ASS'Y	5 - 6

