

MP C4504/C5504/C6004/C4504ex/C5504ex/C6004ex series
(D240/D241/D242/D0AE/D0AF/D0AG)
Parts Catalog

Parts change information sample

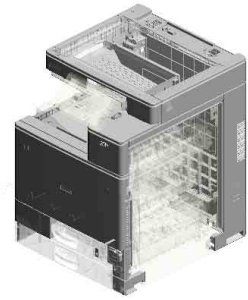
 **Add**

 **Update**

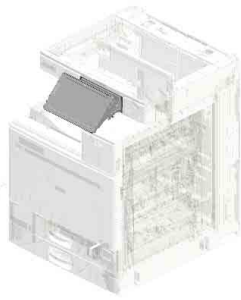
 **Delete**

Model	Product Code	PC Style
MP C3004/C3504/C3004ex/C3504ex series/DSc1230	D238/D239/D0AC/D0AD	3D
MP C4504/C5504/C6004/C4504ex/C5504ex/C6004ex series/DSc1245/DSc1260	D240/D241/D242/D0AE/D0AF/D0AG	3D
SPDF DF3100	D3B0	3D
Finisher SR3210	D3B8	3D
Booklet Finisher SR3220	D3B9	3D
Booklet Finisher SR3240	D3BB	3D
Finisher SR3230	D3BA	3D
1 Bin Tray BN3110	D3CQ	3D
Bridge Unit BU3070	D685	3D
Internal Finisher SR3130	D690	3D
Side Tray Type M3	D725	3D
Internal Finisher SR3180	D766	3D
Smart Operation Panel	D241	2D
IEEE 802.11a/g/n Interface Unit Type M19	D3BR	2D
Memory Unit Type M19 4GB	D3BX	2D
Extended USB Board Type M19	D3BS	2D
IEEE 1284 Interface Board Type M19 XPS	D3C0	2D
Direct Print Option Type M19	D3BC	2D
USB Device Server Option Type M19	D3BC	2D
PostScript3 Unit Type M19	D3BD	2D
Camera Direct Print Card Type M19	D3BD	2D
File Format Converter Type M19	D3BR	2D
DataOverwriteSecurity Unit Type M19	D3BS	2D
IPDS Unit Type M20	D3BC	2D
Imageable Area Extension Unit Type M19	D3BR	2D
Enhanced Security HDD Option Type M12	D3A6	2D
OCR Unit Type M13	D3AC	2D
NFC Card Reader Type M19	D3BS	2D
Smart Card Reader Built-in Unit Type M19	D3BS	2D
External Keyboard Bracket Type M19	D3BR	2D
Caster Table Type M3	D178	2D
Platen Cover PN2000	D700	2D
ADF Handle TypeC	D593	2D
Card Reader Bracket Type 3352	D593	2D
Key Counter Bracket Type M3	D739	2D
Bluetooth Interfance Unit Type D	D566	2D

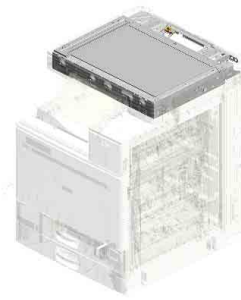
Unit All



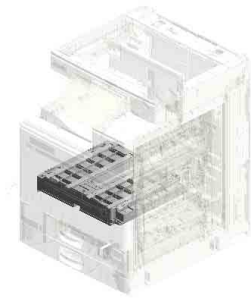
U001
EXTERIOR



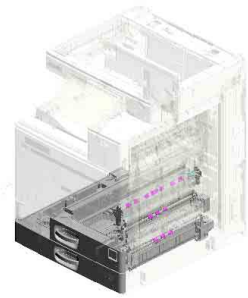
U002
OPERATION



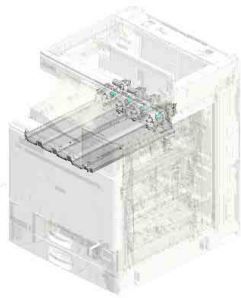
U003
SCANNER



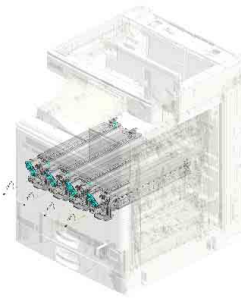
U004
LASER UNIT



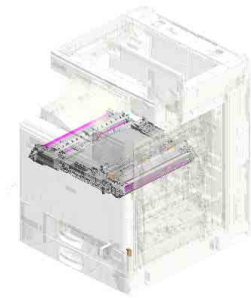
U005
PAPER FEED



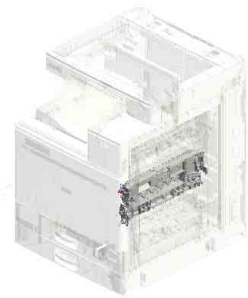
U006
TONER SUPPLY



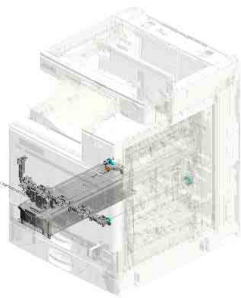
U007
PCDU



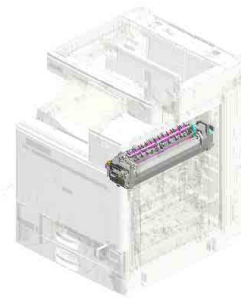
U008
ITB UNIT



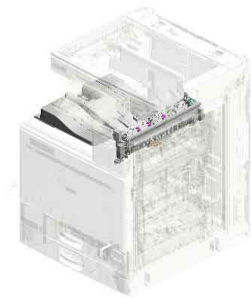
U009
SEPARATION/PAPER TRANSPORT



U010
USED TONER

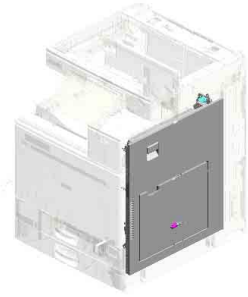


U011
FUSING

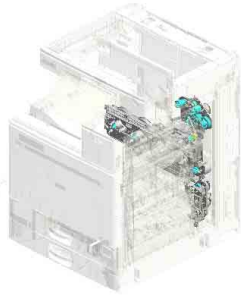


U012
PAPER EXIT

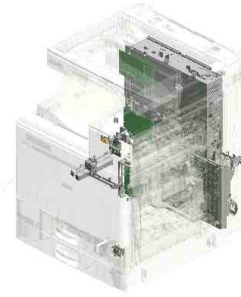
Unit All



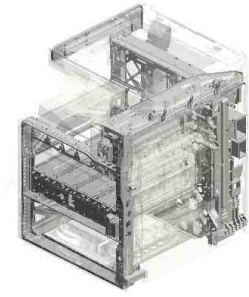
U013
DUPLEX



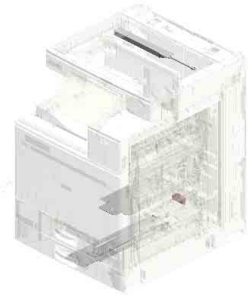
U014
MAIN DRIVE



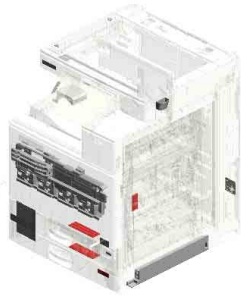
U015
ELECTRICAL



U016
MAIN FRAME



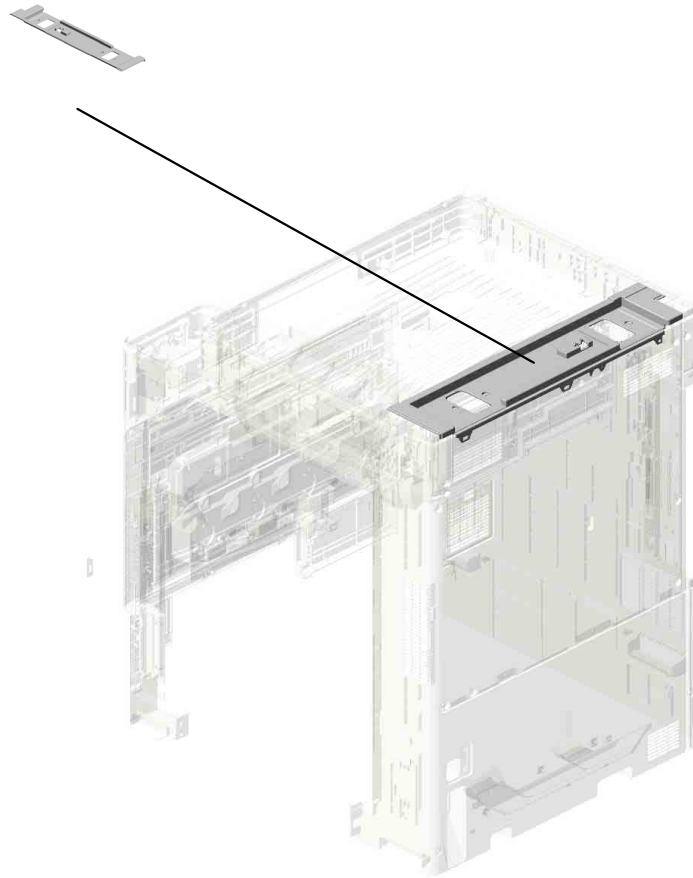
U017
OPTION



U018
ACCESSORIES

U001.EXTERIOR

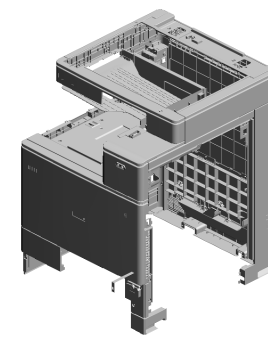
U001 S001
D0AF1290
COVER:SCANNER:UPPER:R
EAR



U001	U002	U003	U004	U005	U006	U007	U008	U009	U010	U011	U012	U013	U014	U015	U016	U017	U018
------	------	------	------	------	------	------	------	------	------	------	------	------	------	------	------	------	------

U001 EXTERIOR

- 14.D1491243 COVER:FRONT:UP PER:OPERATION S UB-UNIT
- 20.D1491281 COVER:SCANNER: FRONT
- 19.D1491278 TORSION SPRING: COVER:USED TON ER
- 5.52062686 SNAP RING
- 7.AA143537 (x2) SCREW:M3:BLACK



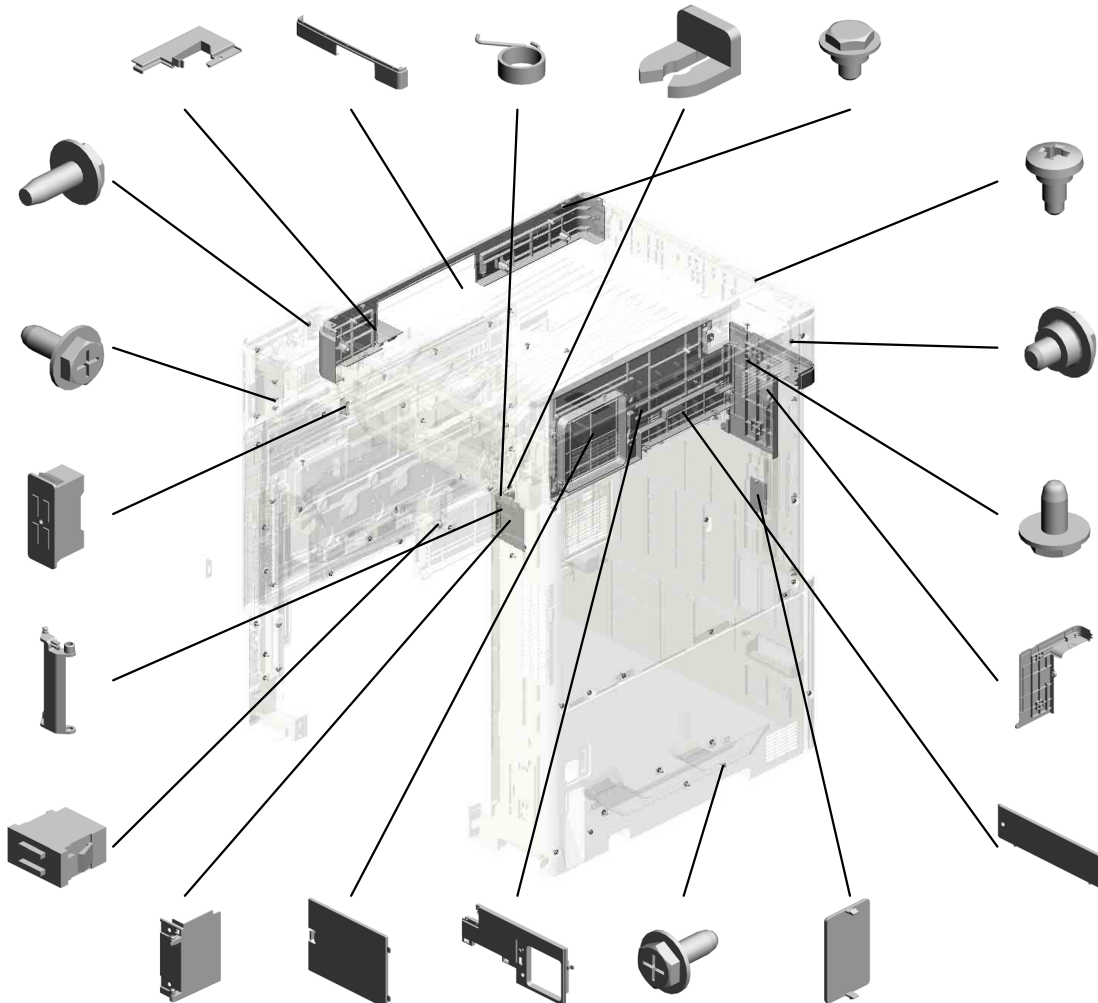
4.04583008N
(x47)
HEXAGON HEAD TAPPING SCREW:3X8

2.04543008N
(x52)
TAPPING SCREW: ROUND POINT:3X8

9.AG070513
MAGNET CATCH

15.D1491248
HINGE:COVER:FRONT:USED TONER

6.AA021031
MAGNETIC CATCH



18.D1491274
INNER COVER:FRONT:USED TONER

12.D1491234
COVER:UPPER:INNER BACK:MIDDLE

11.D1491233
COVER:UPPER:INNER BACK

3.04543008Q
(x40)
TAPPING SCREW: 3X8

17.D1491257
CAP:34X55

8.AA143595
STEPPED SCREW: M3

10.D1441085
(x56)
STEPPED SCREW: M3

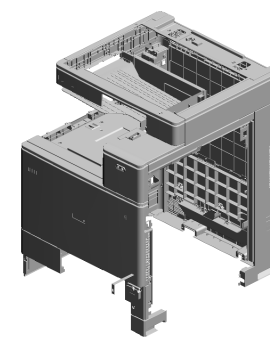
1.04543006Q
TAPPING SCREW - M3X6

16.D1491252
COVER:LEFT:UPPER:REAR

13.D1491237
COVER:UPPER:INNER BACK:LEFT LOWER

4.04583008N(x 1)
HEXAGON HEAD TAPPING SCREW:3X8

U001 EXTERIOR



- 23.D1491302 CLEANER:SHIELD GLASS:ASS'Y
- 40.D2421231 [D] COVER:UPPER:FRONT 201702-02 X/O
- 29.D1496859 DECAL:CLEANING:SHIELD GLASS
- 41.D2411232 COVER:UPPER:EXT
- 37.D1501282 COVER:SCANNER:UPPER:FRONT

42.D2411241 COVER:FRONT

25.D1491307 SPRING PLATE:BA ND

30.D1496893 DECAL:PCU:BLAC K

27.D1495883 KEYTOP:MAIN SWI TCH

28.D1495884 COMPRESSION SP RING:KEYTOP

31.D1496894 DECAL:PCU:CYAN

32.D1496895 DECAL:PCU:MAGE NTA

24.D1491305 (x2) CAP:TOTAL COUN TER

21.D1491291 (x8) CAP:HARNESS

34.D1497984 (x8) DUCT:REAR:POW ER SUPPLY UNIT

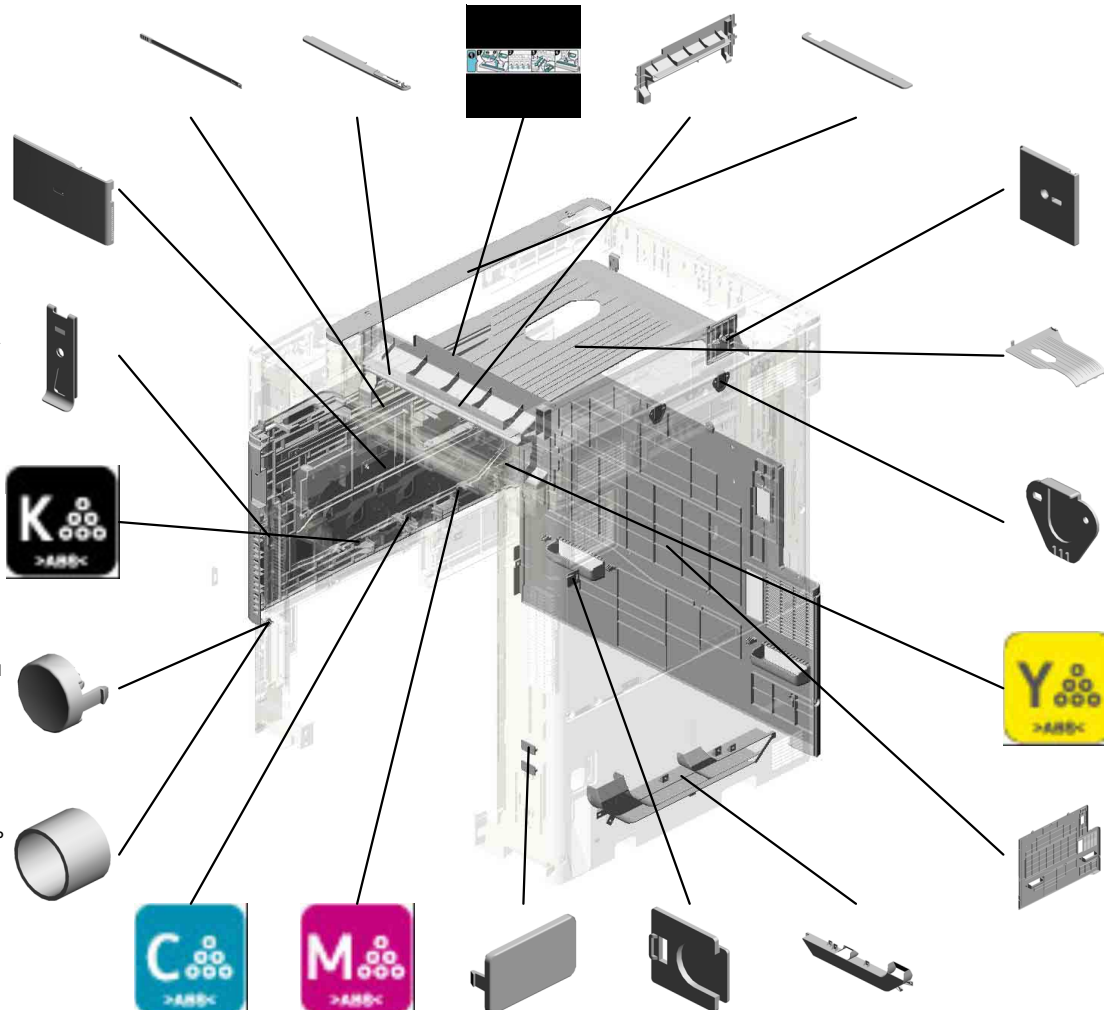
35.D1501235 COVER:UPPER:IN NER BACK:BIN

26.D1494492 TRAY:REVERSE

22.D1491294 (x5) (EU(D24027/D2402 8/D24066/D24127/D 24128/D24165/D24 166/D24266/D0AE2 7/D0AF27));(CHN(D

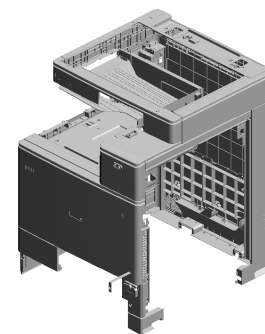
33.D1496896 DECAL:PCU:YELL OW

36.D1501250 COVER:LEFT



U001 EXTERIOR

- 43.D2411244 COVER:FRONT:RIGHT UPPER
- 44.D2411245 COVER:FRONT:UPPER
- 62.D2411309 MAGNET CATCH
- 63.D2414458 (x4) GUIDE:COVER:UPPER
- 54.D2411276 INNER COVER:TONER BOTTLE



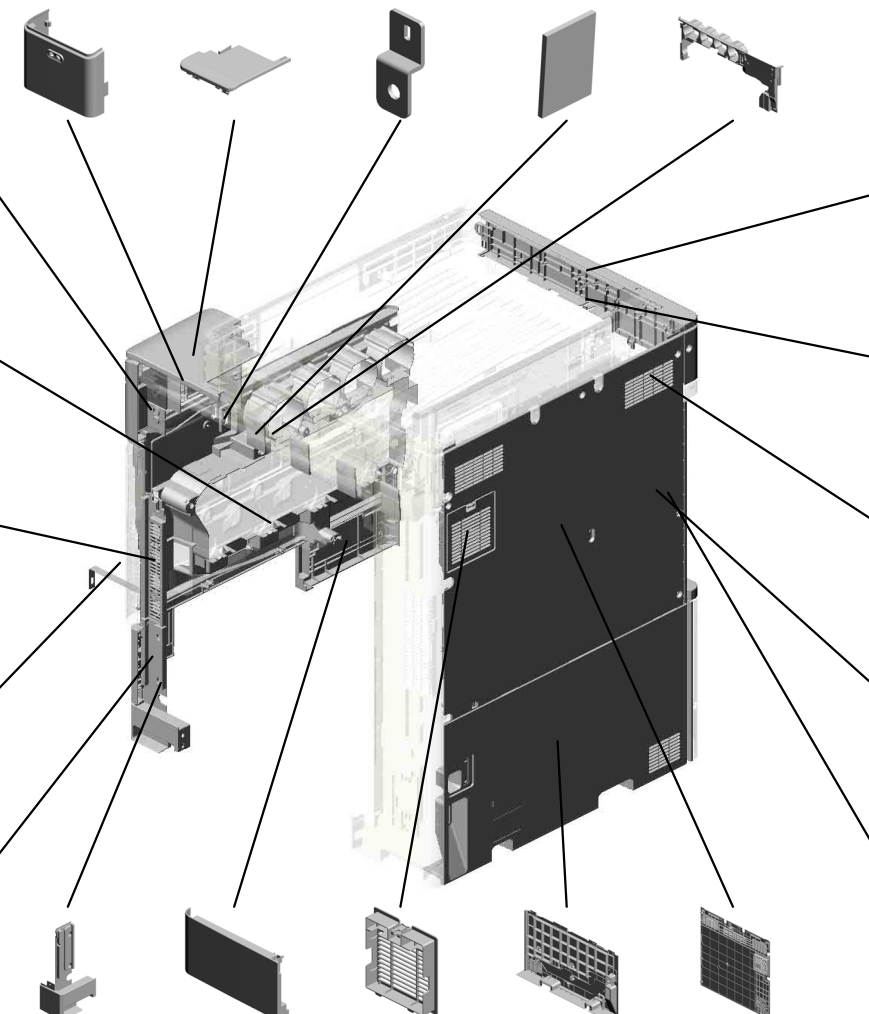
- 64.D2415711 COVER:HUMAN DETECTION SENSOR:CONNECTOR

- 52.D2411273 INNER COVER:FRONT:LOWER

- 60.D2411298 INNER COVER:RIGHT

- 61.D2411308 BAND:STOPPER:DOOR

- 53.D2411275 INNER COVER:FRONT:RIGHT LOWER



- 56.D2411285 COVER:SCANNER:UPPER:LEFT

- 55.D2411284 COVER:SCANNER:LEFT

- 59.D2411297 BRACKET:COVER:LEFT UPPER REAR

- 47.D2411256 CAP:COVER:INTERFACE

- 46.D2411255 COVER:LEFT:INTERFACE

- 51.D2411266 COVER:RIGHT:FRONT LOWER

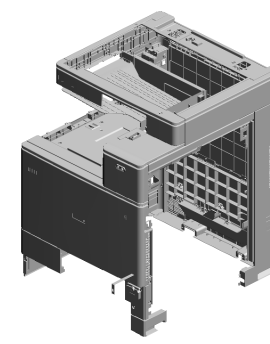
- 45.D2421247 [B] COVER:FRONT:USED TONER 201611-03 X/O

- 50.D2411263 (x8) CAP:LOUVER:DEODORIZE FILTER

- 48.D2411260 (x8) COVER:REAR:LOWER

- 49.D2411264 (x8) [I] COVER:REAR:SUB-ASSY 202105-01 O/O

U001 EXTERIOR



68.D2421267 COVER:RIGHT:UPPER
 74.D0BQ1288 [H] COVER:SCANNER:UPPER:RIGHT
 201805-01 O/O
 72.D0BQ1287 [G] COVER:SCANNER:RIGHT
 201804-02 O/O

75.D0BH7911 [A] DUCT:DEVELOPMENT:FRONT
 201807-02 X/O


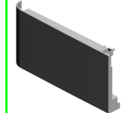


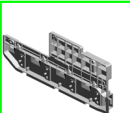
66.D2417913 DUCT:OPTICAL WRITING UNIT

69.D2411251 COVER:LEFT:UPPER

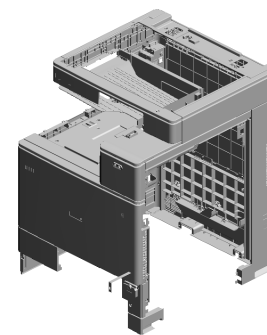
71.D0BQ1230 [E] COVER:UPPER
 201802-03 O/O

76.D0BQ1309 [C] MAGNET CATCH:COVER:FRONT
 201811-05 O/O

73.D2391265 [F] COVER:RIGHT:REAR
 201804-04 O/O

 D2411230 [E] COVER:UPPER 201802-03 O/O	 D2411231 [D] COVER:UPPER:FRONT 201702-02 X/O
 D2411247 [B] COVER:FRONT:USED TONER 201611-03 X/O	 D2411261 [I] COVER:REAR 202105-01 O/O
 D2411287 [G] COVER:SCANNER:RIGHT 201804-02 O/O	 D2411288 [H] COVER:SCANNER:UPPER:RIGHT 201805-01 O/O
 D2411309 [C] MAGNET CATCH 201811-05 O/O	 D2417911 [A] DUCT:DEVELOPMENT:FRONT 201807-02 X/O

U001
EXTERIOR



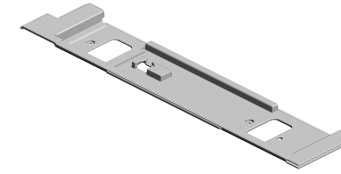
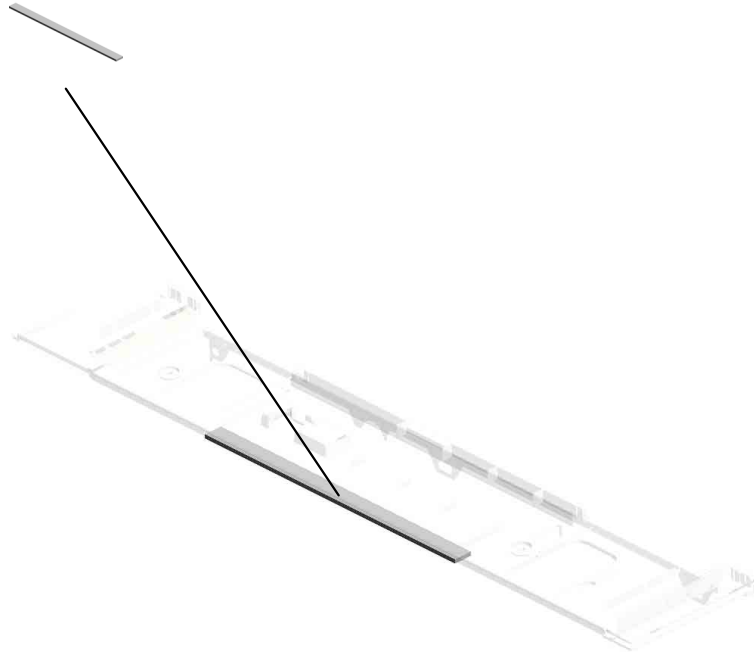
D2421265

[F]
COVER:RIGHT:RE
AR
201804-04 O/O

U001	U002	U003	U004	U005	U006	U007	U008	U009	U010	U011	U012	U013	U014	U015	U016	U017	U018
------	------	------	------	------	------	------	------	------	------	------	------	------	------	------	------	------	------

U001_S001
COVER:SCANNER:UPPER:REAR

77.D0BQ1297
SEAL:SCANNER:U
PPER:REAR
202106-04



70.D0AF1290
[A]
COVER:SCANNER:
UPPER:REAR
201801-03 O/O



D1501290
[A]
COVER:SCANNER:
UPPER:REAR
201801-03 O/O

U001	U002	U003	U004	U005	U006	U007	U008	U009	U010	U011	U012	U013	U014	U015	U016	U017	U018
------	------	------	------	------	------	------	------	------	------	------	------	------	------	------	------	------	------

U002.OPERATION

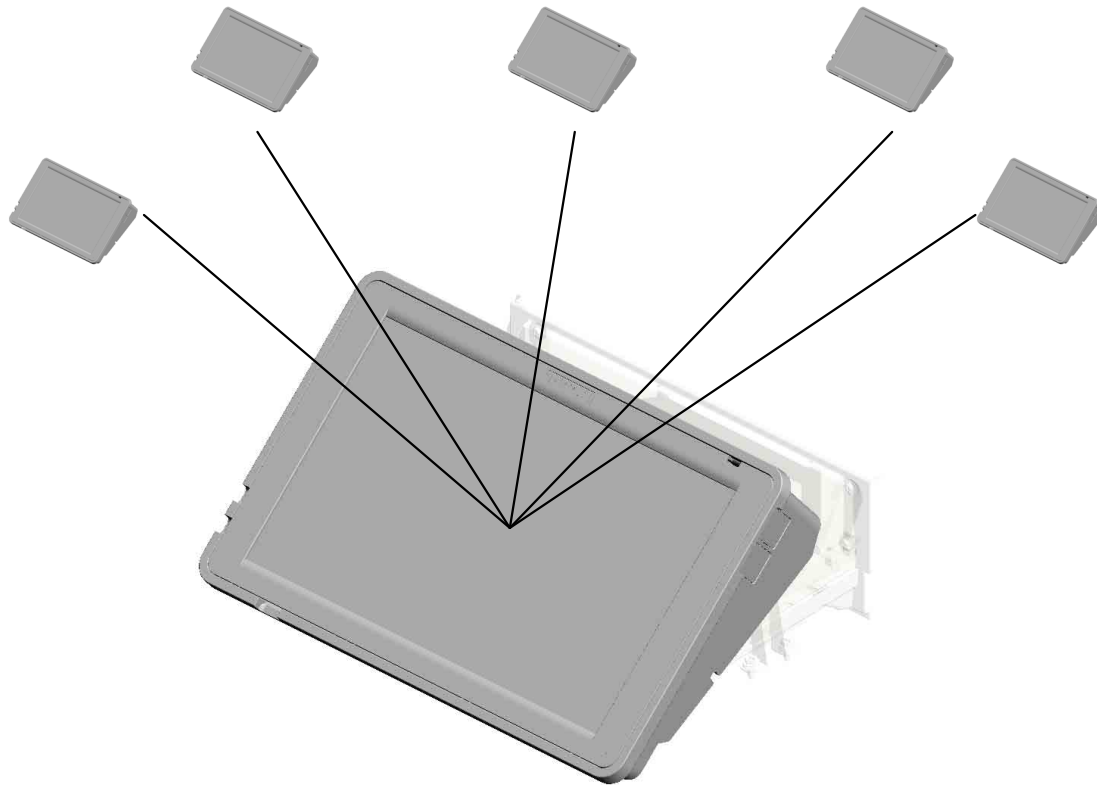
U002 S001
D0AC1417
(EU/NA/AA/KOR/TWN):OPER
ATION SUB-UNIT:ASS'Y

U002 S002
D0AC1417
(EU/NA/AA/KOR/TWN):OPER
ATION SUB-UNIT:ASS'Y

U002 S003
D0AC1417
(EU/NA/AA/KOR/TWN):OPER
ATION SUB-UNIT:ASS'Y

U002 S005
D0AC1416
(CHN):OPERATION SUB-UNI
T:ASS'Y

U002 S004
D0AC1417
(EU/NA/AA/KOR/TWN):OPER
ATION SUB-UNIT:ASS'Y



U001	U002	U003	U004	U005	U006	U007	U008	U009	U010	U011	U012	U013	U014	U015	U016	U017	U018
------	------	------	------	------	------	------	------	------	------	------	------	------	------	------	------	------	------

U002 OPERATION

4.11050760
(x3)
CLAMP:LWSM-051
1A

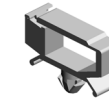
10.D2411599
COVER:BRACKET:
OPERATION SUB-
UNIT:UPPER



12.08025299
(x8)
TAPPING SCREW -
M3X8
201606-01 X/O



8.D2411591
BRACKET:OPERAT
ION SUB-UNIT:PEE
N



3.11050723
(x2)
CLAMPS:WES-050
7

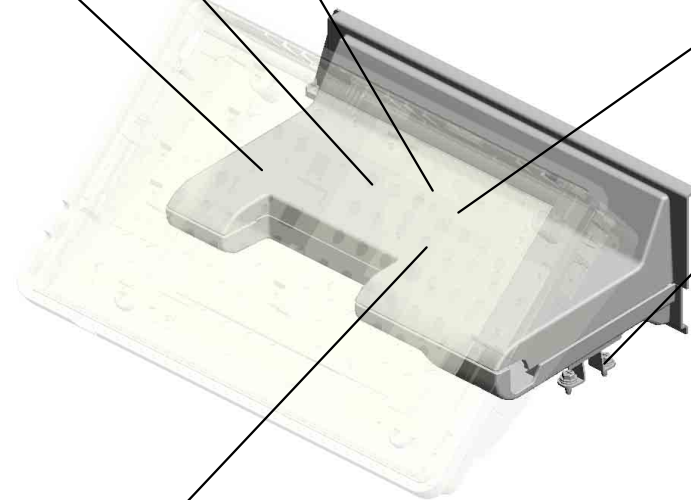


12.08025299
TAPPING SCREW -
M3X8
201606-01 X/O

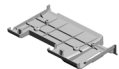
1.03603006N
(x2)
SCREW - M3X6



2.04543008N(x 2)
TAPPING SCREW:ROUND POINT:3X8



9.D2411598
COVER:BRACKET:
OPERATION SUB-
UNIT:LOWER



U002_S001
(EU/NA/AA/KOR/TWN):OPERATION SUB-UNIT:ASS'Y



17:D0AC1417
[A]
(EU/NA/AA/KOR/T
WN):OPERATION S
UB-UNIT:ASS'Y
202110-01 O/O

See 2D parts catalog
for the components of
the Smart Operation
Panel.

11.Note

See 2D parts catalog
for the components of
the Smart Operation
Panel.



D0AC1415

[A]
(EU/NA/AA/KOR/T
WN):OPERATION S
UB-UNIT:ASS'Y
202110-01 O/O

U001	U002	U003	U004	U005	U006	U007	U008	U009	U010	U011	U012	U013	U014	U015	U016	U017	U018
------	------	------	------	------	------	------	------	------	------	------	------	------	------	------	------	------	------

U002_S002
(EU/NA/AA/KOR/TWN):OPERATION SUB-UNIT:ASS'Y



17:D0AC1417
[A]
(EU/NA/AA/KOR/T
WN):OPERATION S
UB-UNIT:ASS'Y
202110-01 O/O

See 2D parts catalog
for the components of
the Smart Operation
Panel.

11.Note

See 2D parts catalog
for the components of
the Smart Operation
Panel.



D0AC1415

[A]
(EU/NA/AA/KOR/T
WN):OPERATION S
UB-UNIT:ASS'Y
202110-01 O/O

U001	U002	U003	U004	U005	U006	U007	U008	U009	U010	U011	U012	U013	U014	U015	U016	U017	U018
------	------	------	------	------	------	------	------	------	------	------	------	------	------	------	------	------	------

U002_S003
(EU/NA/AA/KOR/TWN):OPERATION SUB-UNIT:ASS'Y



17:D0AC1417
[A]
(EU/NA/AA/KOR/T
WN):OPERATION S
UB-UNIT:ASS'Y
202110-01 O/O

See 2D parts catalog
for the components of
the Smart Operation
Panel.

11.Note

See 2D parts catalog
for the components of
the Smart Operation
Panel.



D0AC1415

[A]
(EU/NA/AA/KOR/T
WN):OPERATION S
UB-UNIT:ASS'Y
202110-01 O/O

U001	U002	U003	U004	U005	U006	U007	U008	U009	U010	U011	U012	U013	U014	U015	U016	U017	U018
------	------	------	------	------	------	------	------	------	------	------	------	------	------	------	------	------	------

U002_S004
(EU/NA/AA/KOR/TWN):OPERATION SUB-UNIT:ASS'Y



17:D0AC1417
[A]
(EU/NA/AA/KOR/T
WN):OPERATION S
UB-UNIT:ASS'Y
202110-01 O/O

See 2D parts catalog
for the components of
the Smart Operation
Panel.

11.Note

See 2D parts catalog
for the components of
the Smart Operation
Panel.



D0AC1415

[A]
(EU/NA/AA/KOR/T
WN):OPERATION S
UB-UNIT:ASS'Y
202110-01 O/O

U001	U002	U003	U004	U005	U006	U007	U008	U009	U010	U011	U012	U013	U014	U015	U016	U017	U018
------	------	------	------	------	------	------	------	------	------	------	------	------	------	------	------	------	------

U002_S005
(CHN):OPERATION SUB-UNIT:ASS'Y



18.D0AC1416
[A]
(CHN):OPERATION
SUB-UNIT:ASS'Y
201711-07 O/O

See 2D parts catalog
for the components of
the Smart Operation
Panel.

11.Note

See 2D parts catalog
for the components of
the Smart Operation
Panel.

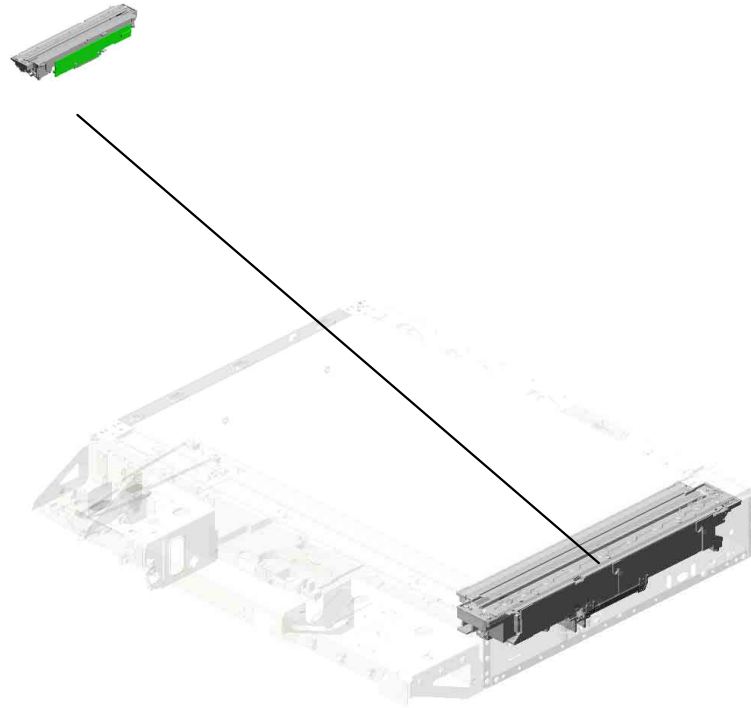


D0AC1411
[A]
(CHN):OPERATION
PANEL:ASS'Y
201711-07 O/O

U001	U002	U003	U004	U005	U006	U007	U008	U009	U010	U011	U012	U013	U014	U015	U016	U017	U018
------	------	------	------	------	------	------	------	------	------	------	------	------	------	------	------	------	------

U003.SCANNER

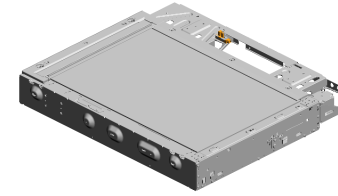
U003 S001
D0AC1640
OPTICAL READING UNIT:CA
RRIAGE:SCANNER



U001	U002	U003	U004	U005	U006	U007	U008	U009	U010	U011	U012	U013	U014	U015	U016	U017	U018
------	------	------	------	------	------	------	------	------	------	------	------	------	------	------	------	------	------

U003 SCANNER

- 10.08050104 RETAINING RINGS
-E:SILENCER:DIA4
- 9.08050103 (x3)
RETAINING RINGS
-E:SILENCER:DIA3
- 8.08046123 (x13)
HEXAGONAL BOLT
:W/WASHER:M3X8
- 18.AA143537 (x6)
SCREW:M3:BLACK
- 19.AW010155 (x2)
ORIGINAL SENSO
R:66MM:3.3V



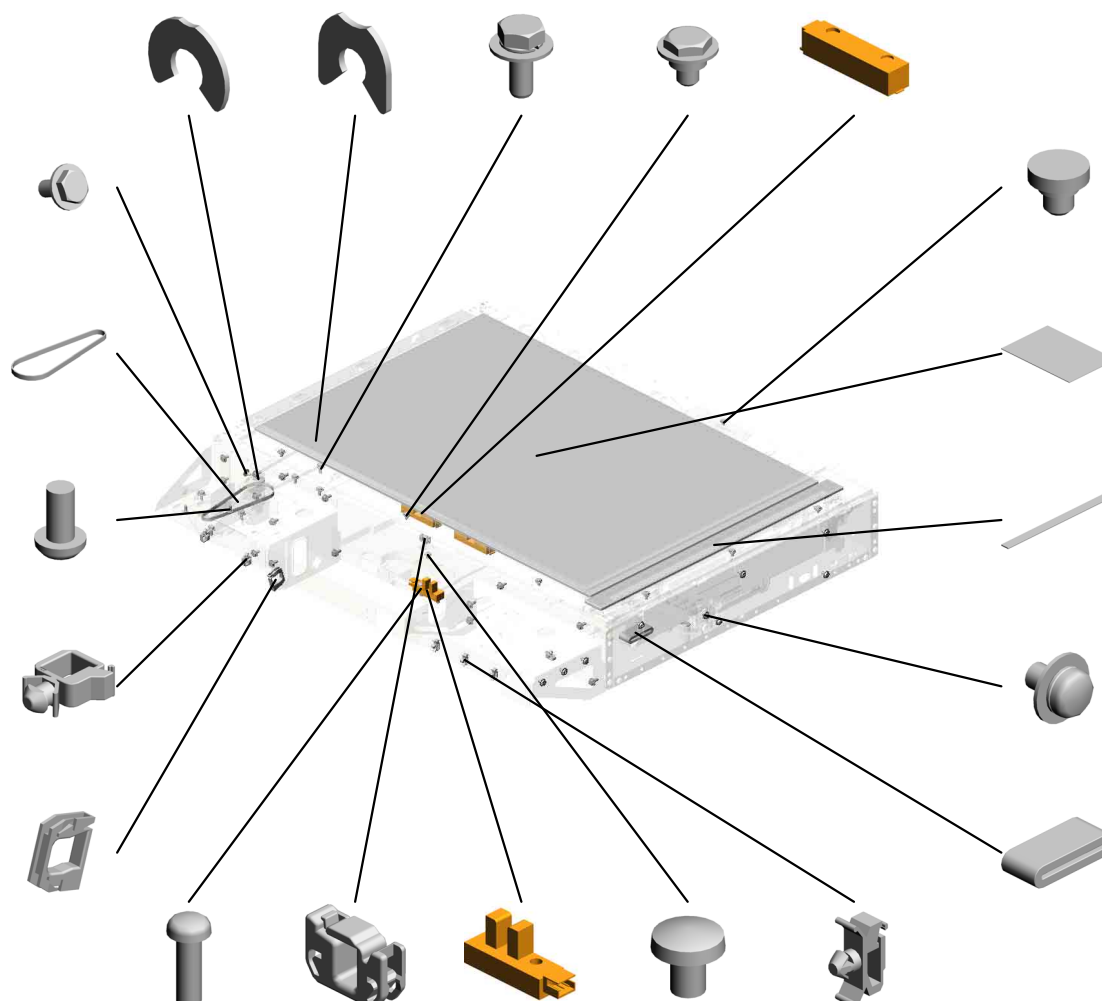
6.03603006N
(x20)
SCREW - M3X6

23.D1491706
SYNCHRONOUS B
ELT:138ST1.5-4.0

1.03130060N
(x2)
SCREW - M3X6

15.11050759
(x2)
CLAMP:LWSM-060
5A

13.11050724
CLAMPS:WES-121
0



2.03140120N
SCREW - M4X12

12.11050692
CLAMP:LES-0503

20.AW020249
PHOTOINTERRUP
TOR:FLAT:PICH2M
M:M4
201909-01 O/O

4.03530040N
SCREW - M3X4

14.11050758
(x4)
CLAMP:LWSM-030
6A

21.D1444183
SCREW:M3

14.11050758
CLAMP:LWSM-030
6A

17.A2501752
EXPOSURE GLASS

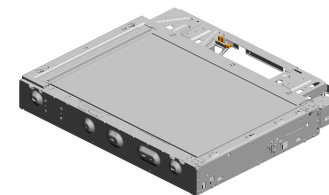
22.D1471805
EXPOSURE GLASS
:DOCUMENT FEED
ER:APPLY

11.09543005N
(x3)
SCREW:POLISHED
ROUND/SPRING:M
3X5

16.16072525
FERRITE CORE:K3
FF 35.00X14.60X7.
70X1.40

U003 SCANNER

29.D2411681 (x2) STAY:GUIDE ROD
 39.D2411708 TIGHTENER:DIA8
 33.D2411688 SHEET:GLASS:LARGE
 43.D0BQ1713 SYNCHRONOUS BELT:890ST55-4.0 201912-01 O/O
 28.D2411680 GUIDE ROD



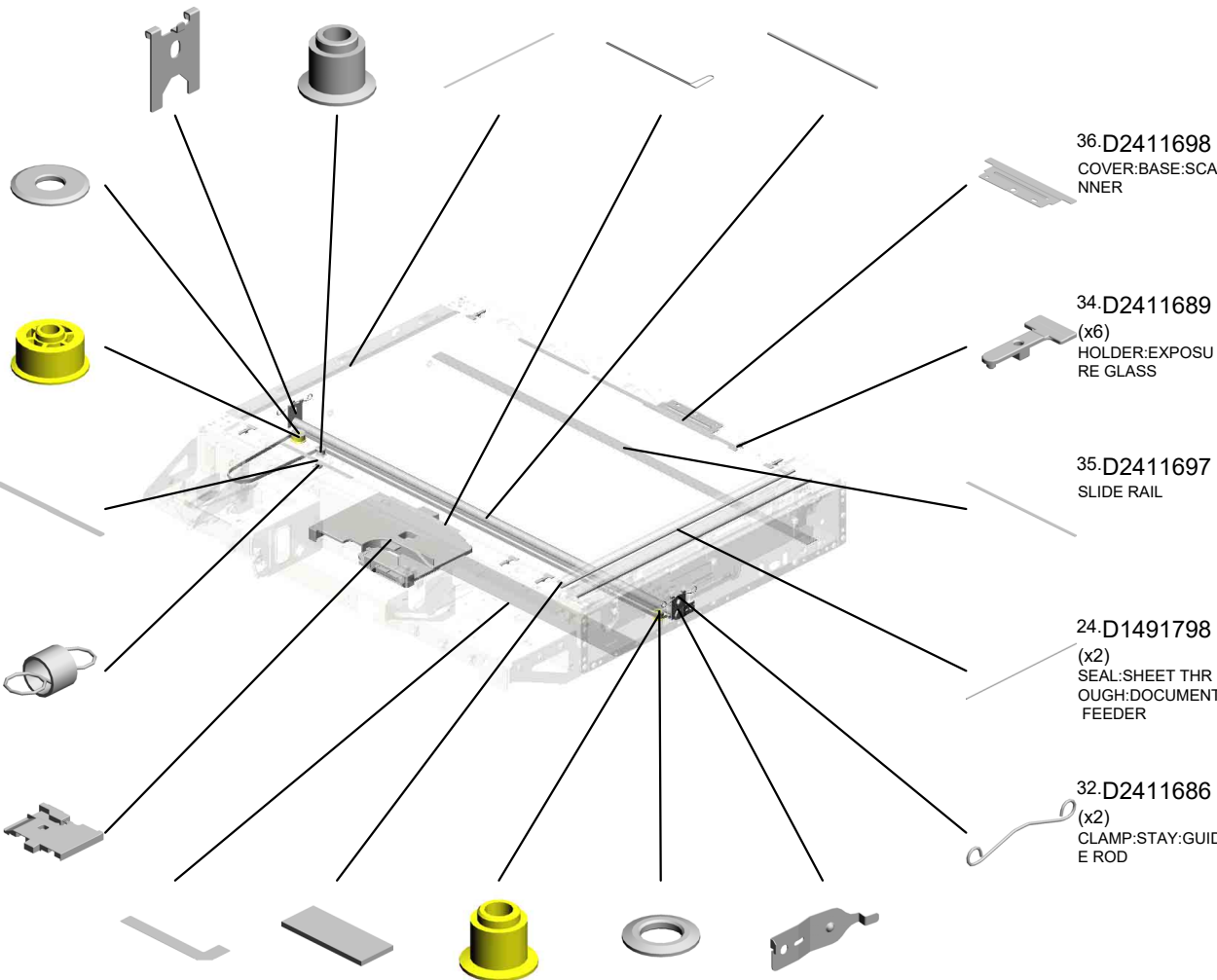
41.D2411711 CAP:IDLER:TRAILING EDGE

40.D2411710 PULLEY:IDLER:TRAILING EDGE

26.D1491833 (x5) SHEET:GLASS

42.D2411712 TENSION SPRING:TIGHTENER:TENSION:4N

30.D2411684 COVER:HARNES:SCANNER



36.D2411698 COVER:BASE:SCANNER

34.D2411689 (x6) HOLDER:EXPOSURE GLASS

35.D2411697 SLIDE RAIL

24.D1491798 (x2) SEAL:SHEET THROUGH:DOCUMENT FEEDER

32.D2411686 (x2) CLAMP:STAY:GUIDE ROD

27.D0BQ1678 SHEET:FFC:LOWER 201907-01 O/O

25.D1491804 (x2) HOLDER:EXPOSURE GLASS:SCANNER

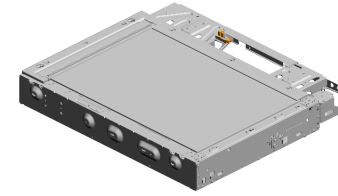
37.D2411701 PULLEY:IDLER:LEADING EDGE

38.D2411702 (x2) CAP:PULLEY:IDLER:LEADING EDGE

31.D2411685 SPRING PLATE:GUIDE ROD

U003 SCANNER

44.D2411715 PULLEY:DRIVE
 45.D2411716 CAP:PULLEY:DRIVE:UPPER
 53.D2411738 (x4)
 (EU/AA/KOR/TWN/CHN):SCALE:REAR:PRINTING:MM
 54.D2411739 (NA):SCALE:REAR:PRINTING:INCH

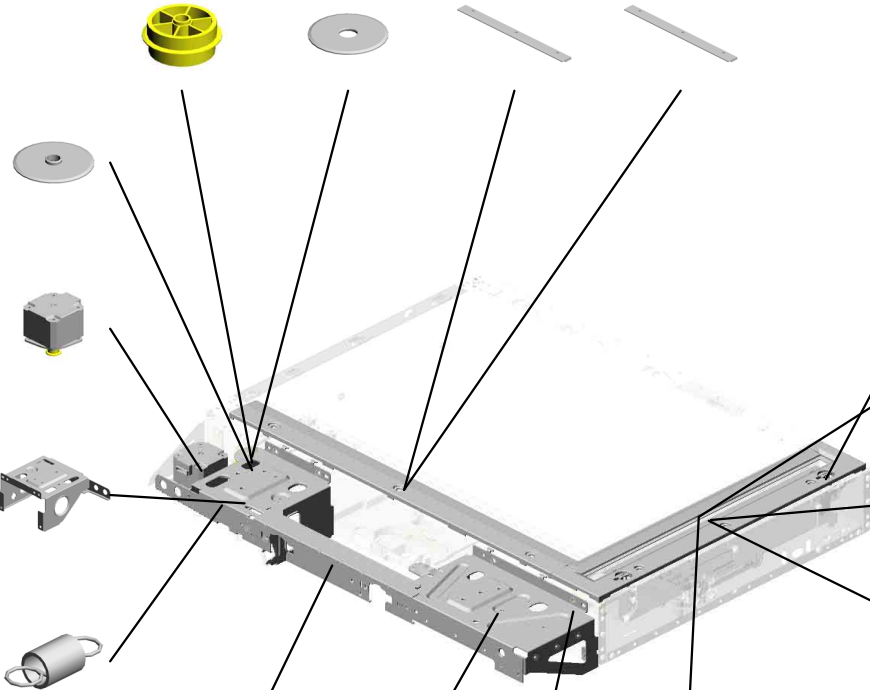


46.D2411717 CAP:PULLEY:DRIVE:LOWER

47.D2411719 DC STEPPER MOTOR

56.D2411742 BRACKET:DOCUMENT FEEDER:RIGHT

48.D2411722 TENSION SPRING:TENSION:11N



60.D2411671 (x2)
 PROTECTION:CARTRIDGE:SCANNER

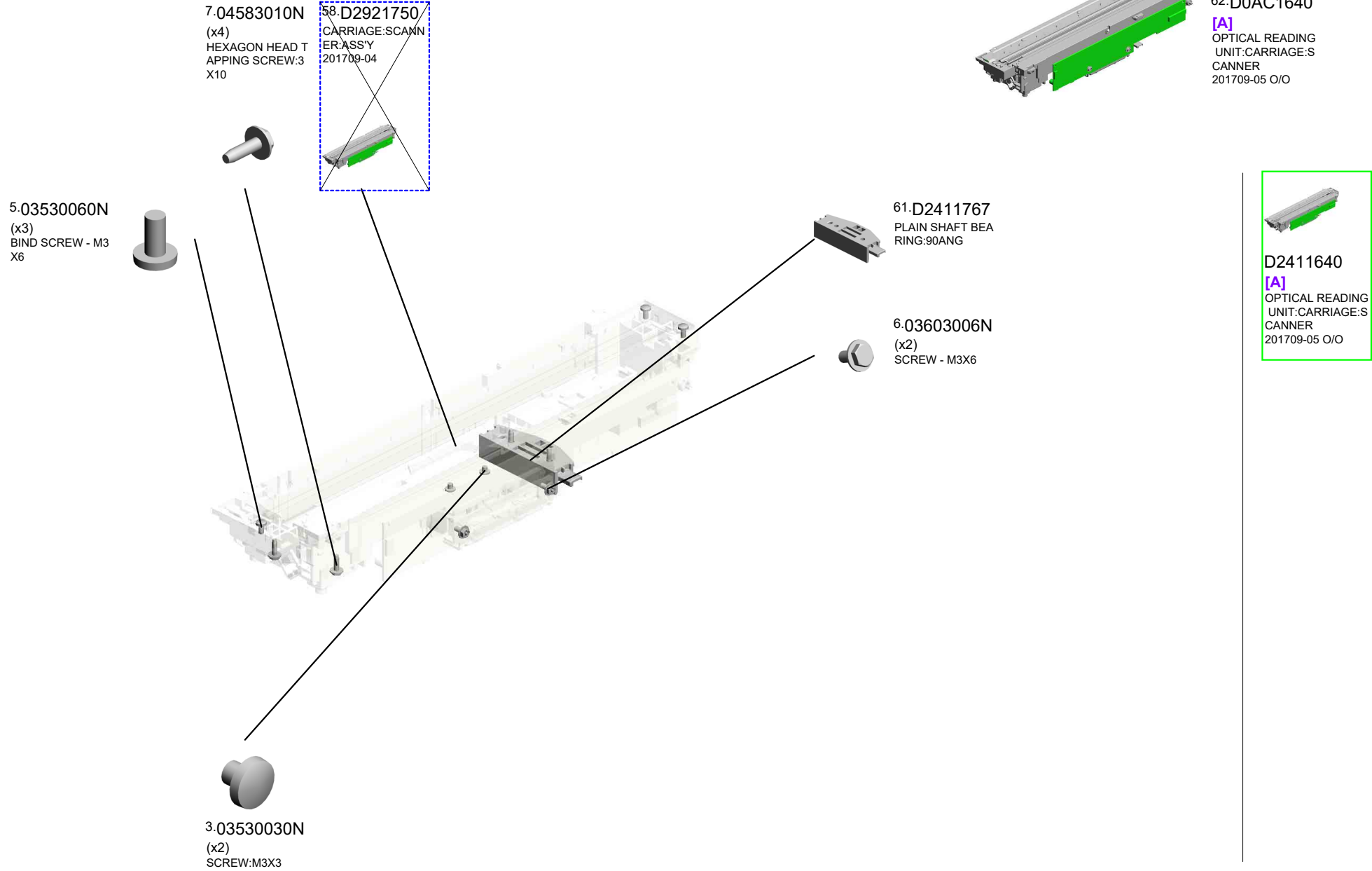
50.D2411732 (x4)
 (EU/AA/KOR/TWN/CHN):SCALE:LEFT:MM:ASSY

49.D2411727 SHEET:GAP:ASSY

51.D2411733 COVER:SHEET THROUGH:DOCUMENT FEEDER

57.D2411744 DOCUMENT FEEDER:CABLE:BRACKET
 55.D2411741 BRACKET:DOCUMENT FEEDER:LEFT
 64.GW020024 PHOTOINTERRUPTOR:LG2A24BL1:GROUP:201811-04 X/O
 52.D2411734 (NA):SCALE:LEFT:INCH:ASSY

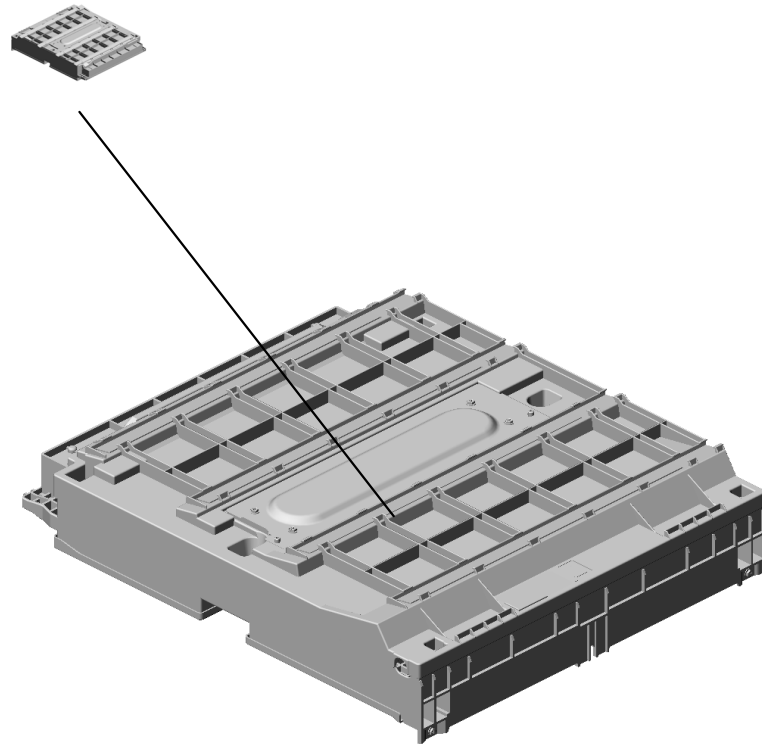
U003_S001
OPTICAL READING UNIT:CARRIAGE:SCANNER



U001	U002	U003	U004	U005	U006	U007	U008	U009	U010	U011	U012	U013	U014	U015	U016	U017	U018
------	------	------	------	------	------	------	------	------	------	------	------	------	------	------	------	------	------

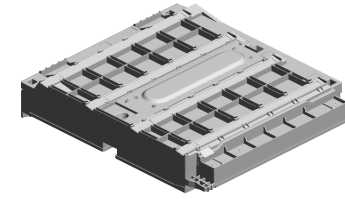
U004.LASER UNIT

U004 S001
D2411856
OPTICAL WRITING UNIT



U001	U002	U003	U004	U005	U006	U007	U008	U009	U010	U011	U012	U013	U014	U015	U016	U017	U018
------	------	------	------	------	------	------	------	------	------	------	------	------	------	------	------	------	------

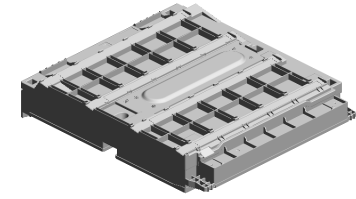
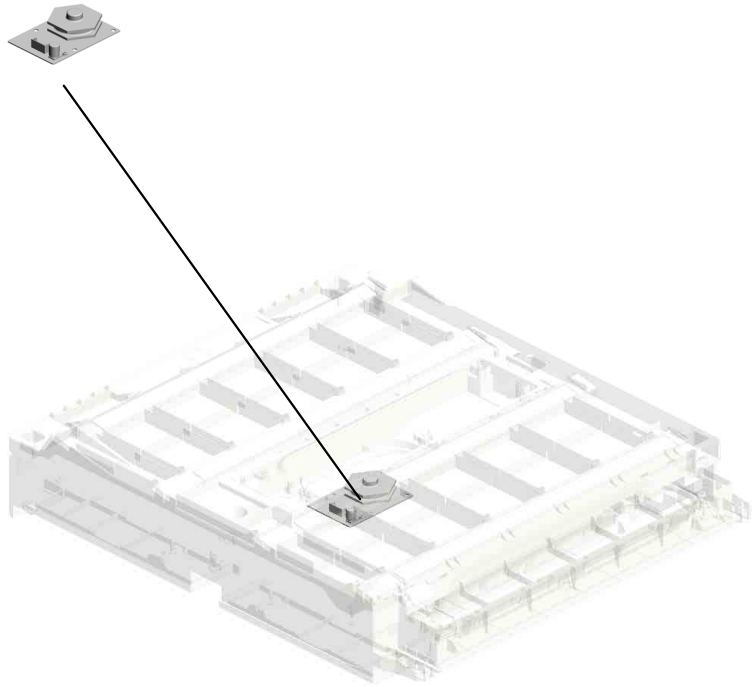
U004
LASER UNIT



U001	U002	U003	U004	U005	U006	U007	U008	U009	U010	U011	U012	U013	U014	U015	U016	U017	U018
------	------	------	------	------	------	------	------	------	------	------	------	------	------	------	------	------	------

U004_S001
OPTICAL WRITING UNIT

2.AX060519
DC POLYGON MIR
ROR MOTOR
201908-01 O/O



1.D2411856
[A]
OPTICAL WRITING
UNIT
202106-01 O/O



D2411855
[A]
OPTICAL WRITING
UNIT
202106-01 O/O

U001	U002	U003	U004	U005	U006	U007	U008	U009	U010	U011	U012	U013	U014	U015	U016	U017	U018
------	------	------	------	------	------	------	------	------	------	------	------	------	------	------	------	------	------

U005.PAPER FEED

U005 S006
D2412800
PAPER TRAY:NO.1:ASS'Y

U005 S001
D1492905
SUPPORTER:RIGHT:NO.1:AS
SY

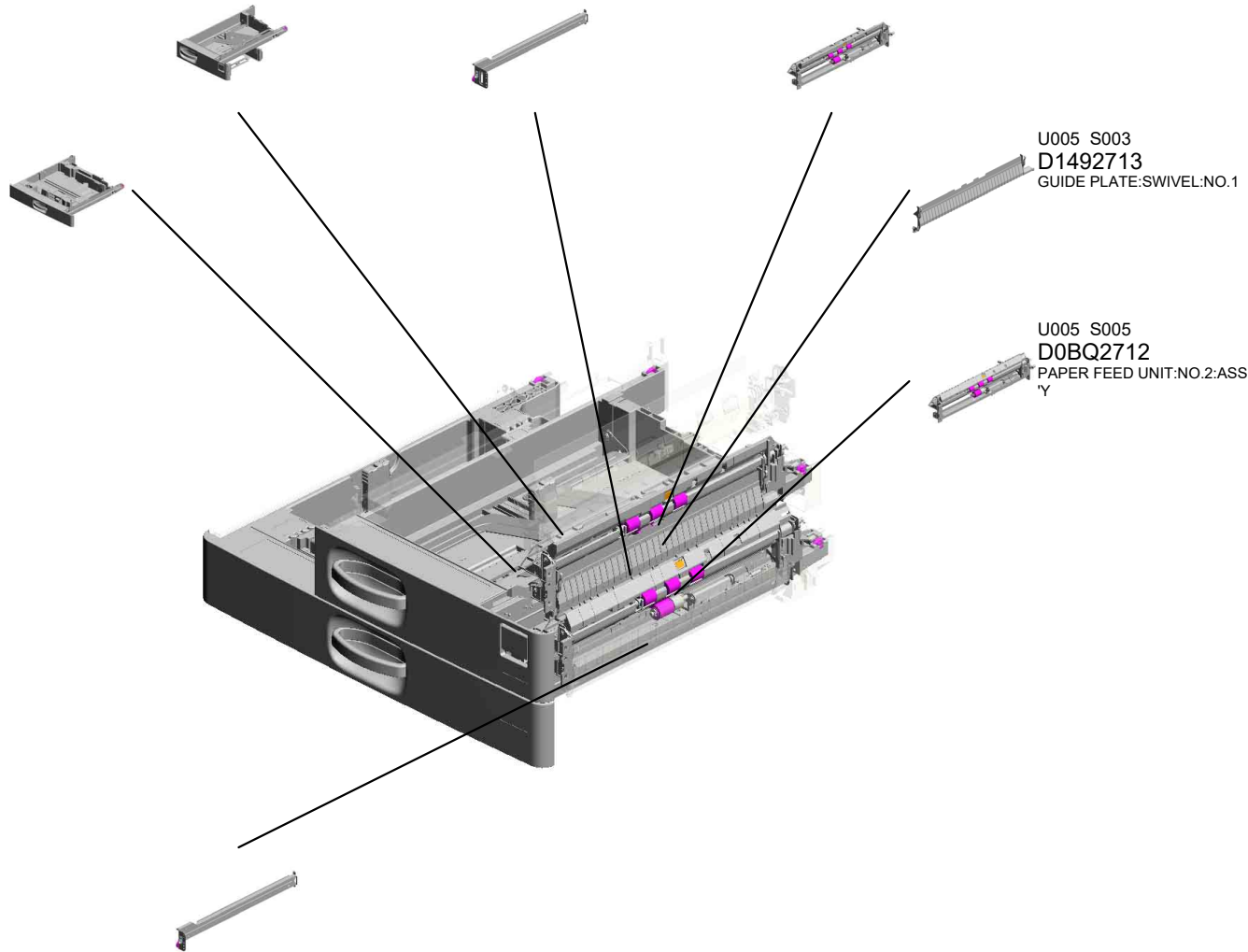
U005 S004
D0BQ2711
PAPER FEED UNIT:NO.1:ASS
'Y

U005 S007
D0BQ2805
PAPER TRAY:NO.2:ASS'Y

U005 S003
D1492713
GUIDE PLATE:SWIVEL:NO.1

U005 S005
D0BQ2712
PAPER FEED UNIT:NO.2:ASS
'Y

U005 S002
D1492903
SUPPORTER:RIGHT:NO.2:AS
SY



U001	U002	U003	U004	U005	U006	U007	U008	U009	U010	U011	U012	U013	U014	U015	U016	U017	U018
------	------	------	------	------	------	------	------	------	------	------	------	------	------	------	------	------	------

U005_S006.PAPER TRAY:NO.1:ASS'Y

U005 S006 S004
D0BQ2850
TRAY BOTTOM PLATE:ASS'Y

U005 S006 S003
D0BQ2840
END FENCE:PAPER TRAY:AS
SS'Y

U005 S006 S002
D1492838
SIDE FENCE:REAR:NO.1:AS
S'Y

U005 S006 S001
D1492828
SIDE FENCE:FRONT:NO.1:A
SS'Y

U001	U002	U003	U004	U005	U006	U007	U008	U009	U010	U011	U012	U013	U014	U015	U016	U017	U018
------	------	------	------	------	------	------	------	------	------	------	------	------	------	------	------	------	------

U005_S007.PAPER TRAY:NO.2:ASS'Y

U005 S007 S001
D0BQ2840
END FENCE:PAPER TRAY:A
SS'Y

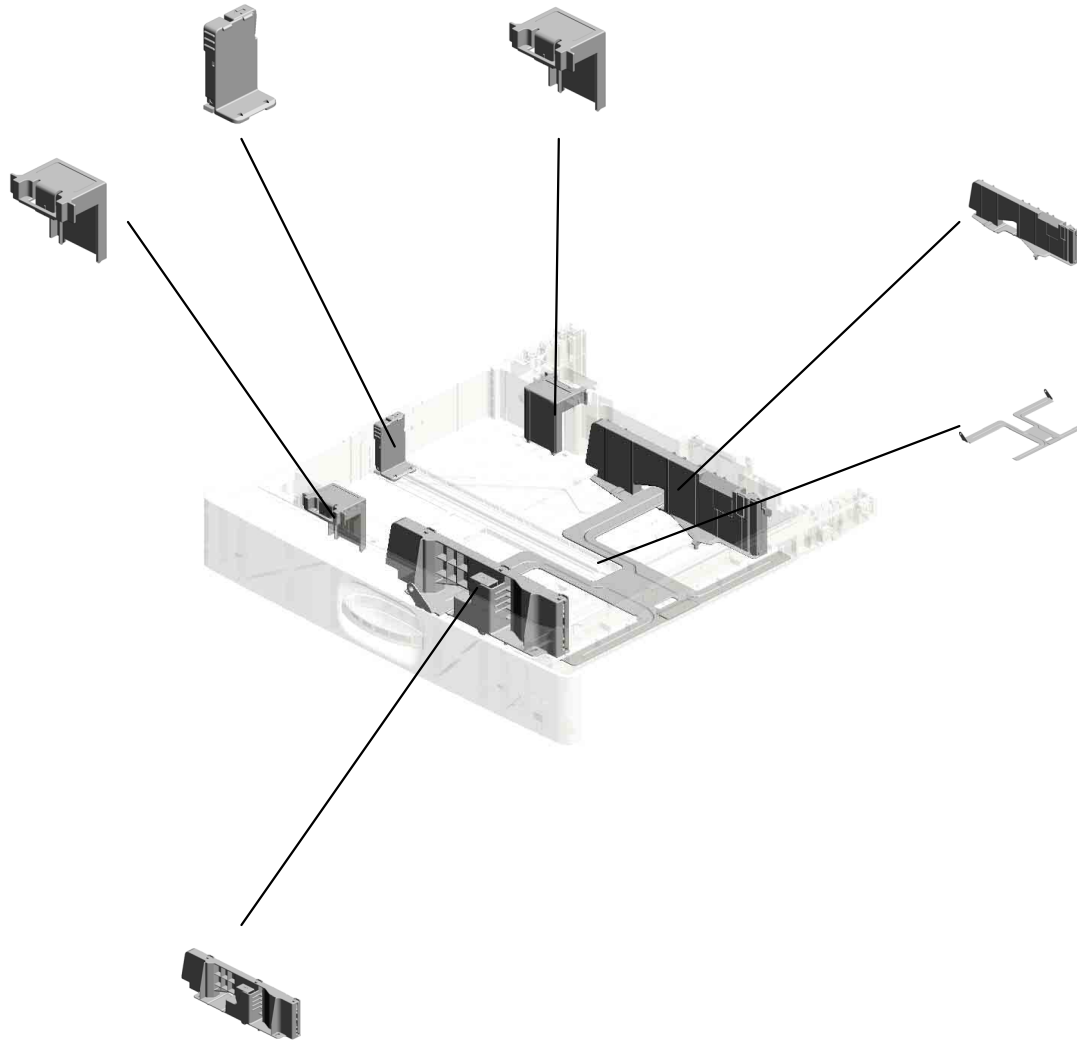
U005 S007 S006
D2412873
SIDE FENCE:AUXILIARY

U005 S007 S005
D2412873
SIDE FENCE:AUXILIARY

U005 S007 S004
D0BQ2880
SIDE FENCE:REAR:ASS'Y

U005 S007 S002
D0BQ2873
TRAY BOTTOM PLATE:NO.2:
ASS'Y

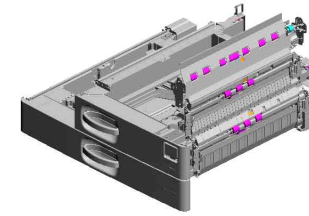
U005 S007 S003
D2412875
SIDE FENCE:FRONT:ASS'Y



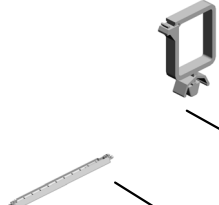
U001	U002	U003	U004	U005	U006	U007	U008	U009	U010	U011	U012	U013	U014	U015	U016	U017	U018
------	------	------	------	------	------	------	------	------	------	------	------	------	------	------	------	------	------

U005 PAPER FEED

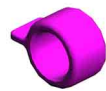
- 11.11050765 CLAMP:LWS-2218A
- 10.11050758 (x2) CLAMP:LWSM-0306A
- 15.AA082175 (x2) PLAIN SHAFT BEARING:8X12X7
- 7.07200060E (x3) RETAINING RING - M6
- 17.AB011572 GEAR:Z19:DRIVEN:REGISTRATION



41.D1492566
CASE:REMOVE PA
PER DUST:ASS'Y



40.D1492562
(x2)
COLLAR:REGISTR
ATION ROLLER



25.AW500044
PUSH SWITCH:PA
PER SIZE SENSOR



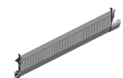
13.AA082173
(x2)
PLAIN SHAFT BEA
RING:6X10X6



8.08050103
(x2)
RETAINING RINGS
-E:SILENCER-DIA3



45.D1492721
GUIDE PLATE:SWI
VEL:NO.2



26.AX040273
(x2)
DC MOTOR:RISING
TRAY:ASS'Y:1.007
W:BRUSH



55.D1492788
INNER COVER:HA
RNNESS:PAPER FE
ED UNIT



54.D1492787
BRACKET:SUPPO
RT:COVER



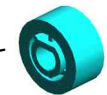
3.04543008Q
(x5)
TAPPING SCREW:
3X8



6.07200040E
(x2)
RETAINING RING -
M4



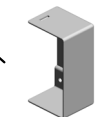
18.AB011573
GEAR:REGISTRATI
ON:NO.2



4.04583008N
(x4)
HEXAGON HEAD T
APPING SCREW:3
X8



84.D1492886
COVER:TRAY:REA
R RIGHT:NO.1



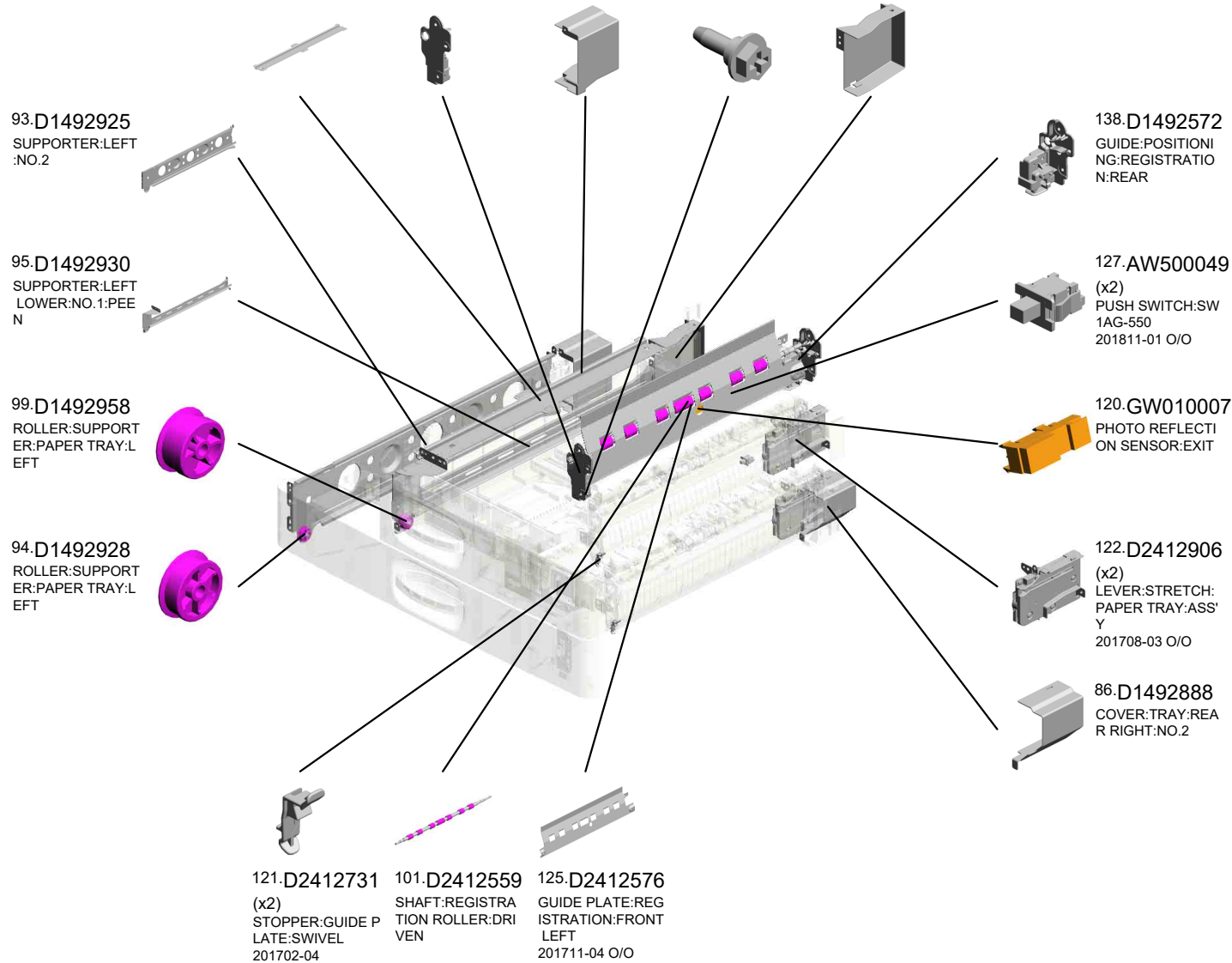
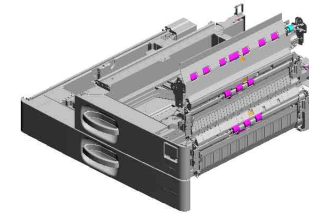
2.04543006Q
(x39)
TAPPING SCREW -
M3X6



U001	U002	U003	U004	U005	U006	U007	U008	U009	U010	U011	U012	U013	U014	U015	U016	U017	U018
------	------	------	------	------	------	------	------	------	------	------	------	------	------	------	------	------	------

U005 PAPER FEED

90.D1492918 SUPPORTER:LEFT UPPER:NO.1
 137.D1492571 GUIDE:POSITIONING:REGISTRATION:FRONT
 87.D1492889 COVER:TRAY:REAR LEFT:NO.2
 119.GA143003 SCREW:MM5:2.5MM
 85.D1492887 COVER:TRAY:REAR LEFT:NO.1



U001	U002	U003	U004	U005	U006	U007	U008	U009	U010	U011	U012	U013	U014	U015	U016	U017	U018
------	------	------	------	------	------	------	------	------	------	------	------	------	------	------	------	------	------

U005_S001
SUPPORTER:RIGHT:NO.1:ASS'Y

2.04543006Q
(x3)
TAPPING SCREW -
M3X6



89.D1492905
SUPPORTER:RIGHT:
T:NO.1:ASS'Y

92.D1492924
STOPPER:PAPER
TRAY



98.D1492956
ROLLER:SUPPORT
ER:PAPER TRAY



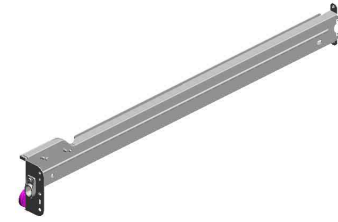
8.08050103
RETAINING RINGS
-E:SILENCER:DIA3



U001	U002	U003	U004	U005	U006	U007	U008	U009	U010	U011	U012	U013	U014	U015	U016	U017	U018
------	------	------	------	-------------	------	------	------	------	------	------	------	------	------	------	------	------	------

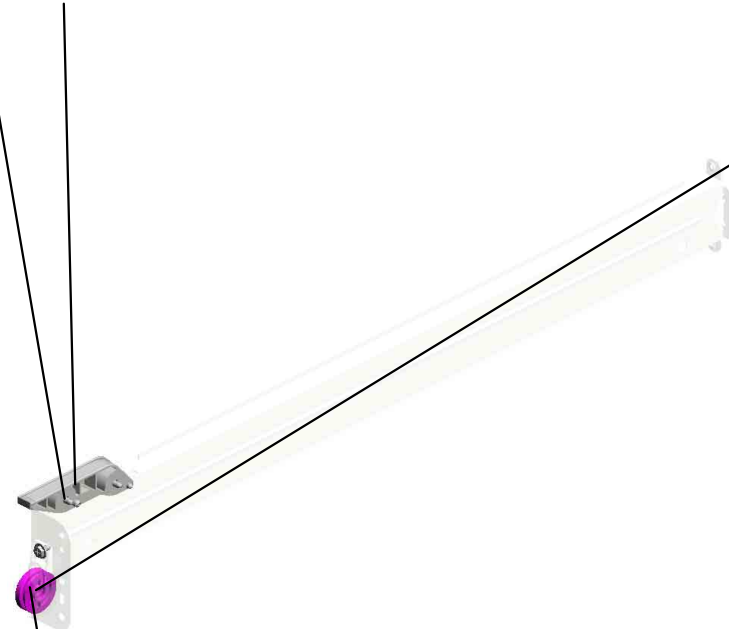
U005_S002
SUPPORTER:RIGHT:NO.2:ASS'Y

92.D1492924
STOPPER:PAPER
TRAY



88.D1492903
SUPPORTER:RIGHT:
T:NO.2:ASSY

2.04543006Q
(x3)
TAPPING SCREW -
M3X6



91.D1492923
ROLLER:SUPPORT
ER:PAPER TRAY

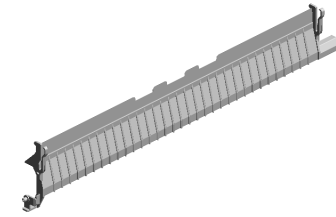


8.08050103
RETAINING RINGS
-E:SILENCER:DIA3

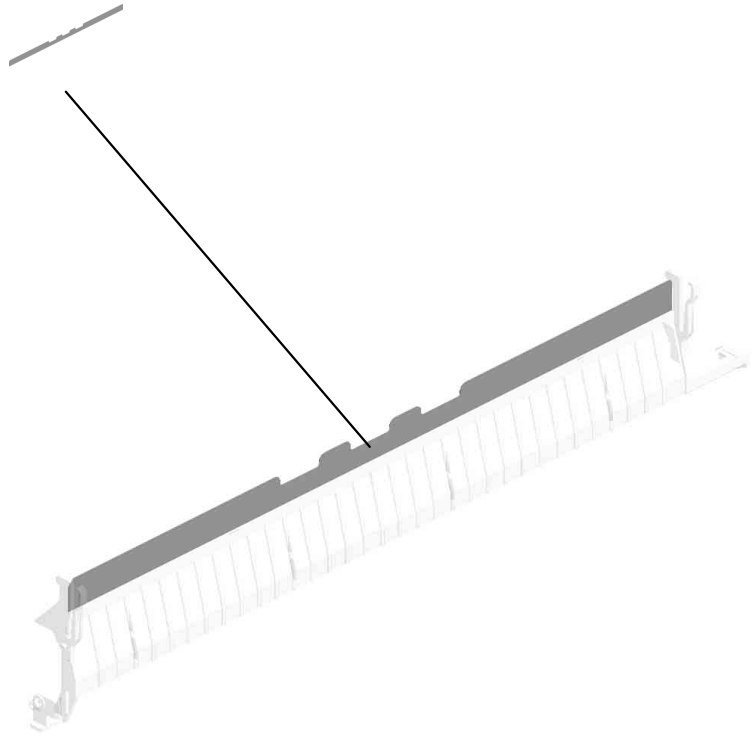
U001	U002	U003	U004	U005	U006	U007	U008	U009	U010	U011	U012	U013	U014	U015	U016	U017	U018
------	------	------	------	------	------	------	------	------	------	------	------	------	------	------	------	------	------

U005_S003
GUIDE PLATE:SWIVEL:NO.1

43.D1492712
SHEET:GUIDE PLA
TE:SWIVEL



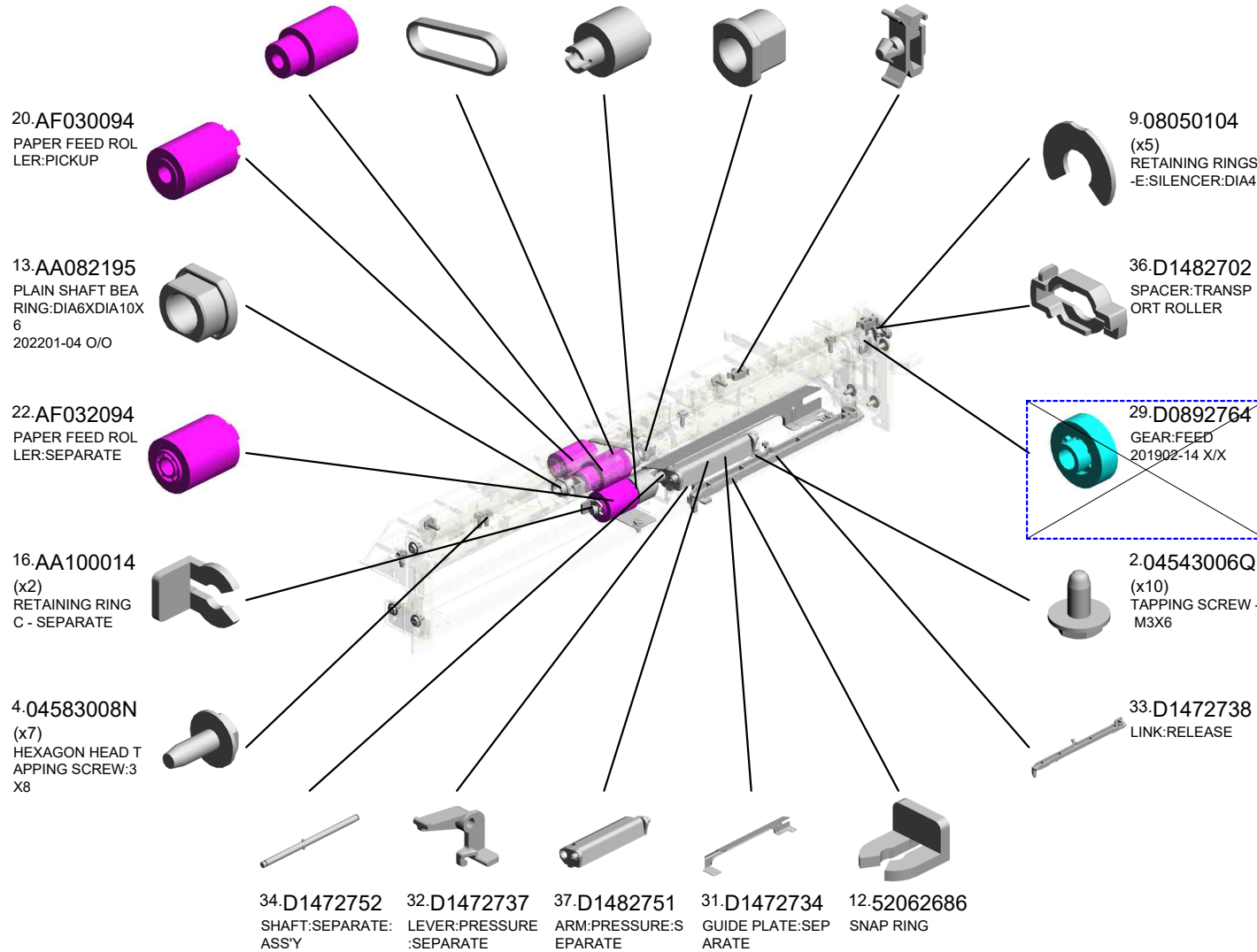
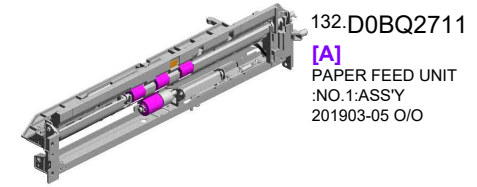
44.D1492713
GUIDE PLATE:SWI
VEL:NO.1



U001	U002	U003	U004	U005	U006	U007	U008	U009	U010	U011	U012	U013	U014	U015	U016	U017	U018
------	------	------	------	------	------	------	------	------	------	------	------	------	------	------	------	------	------

U005_S004
PAPER FEED UNIT:NO.1:ASS'Y

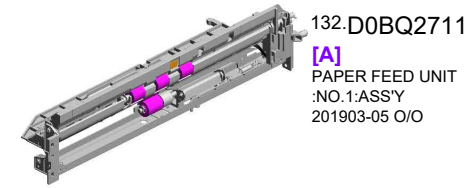
- 21.AF031094 PAPER FEED ROLLER:FEED
- 28.B8303504 TIMING BELT - 40S 2M100
- 30.D1292783 TORQUE LIMITER MECHANICAL CLUTCH:40MMM:DIA18
- 14.AA082196 BUSHING:DIA6XDI A10X9 202109-03 O/O
- 10.11050758 (x2) CLAMP:LWSM-030 6A



U001	U002	U003	U004	U005	U006	U007	U008	U009	U010	U011	U012	U013	U014	U015	U016	U017	U018
------	------	------	------	------	------	------	------	------	------	------	------	------	------	------	------	------	------

U005_S004
PAPER FEED UNIT:NO.1:ASS'Y

- 49.D1492774 PULLEY:IDLER:PIKUP
- 52.D1492778 FEELER:PAPER END
- 48.D0BQ2773 PULLEY:PICKUP:MECHANICAL ROLLER CLUTCH:U 202011-06 X/O
- 131.AW020234 (x2) PHOTOINTERRUPTOR:GP1A173LCS 5F 201903-04 O/O

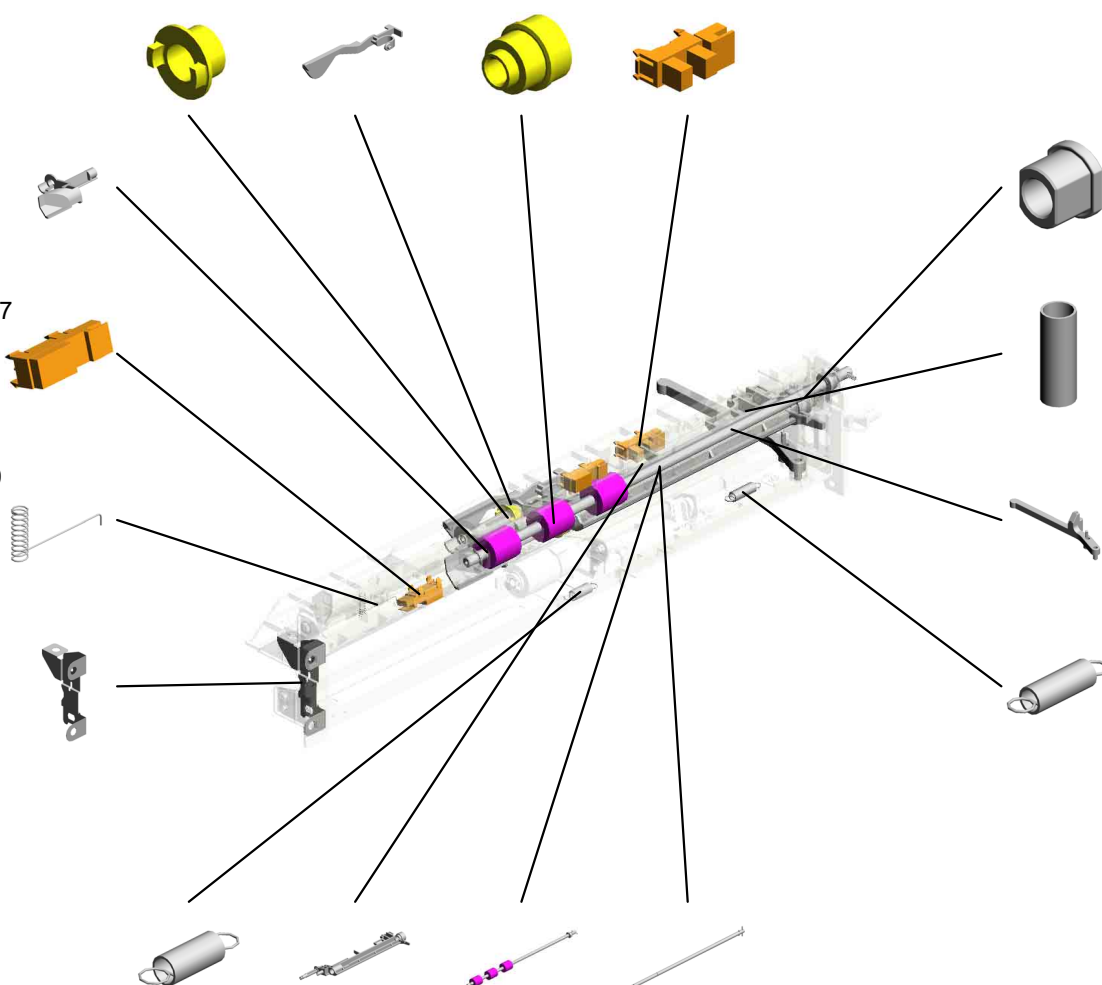


56.D1492791
GUIDE:FEED

120.GW010007
(x2)
PHOTO REFLECTION SENSOR:EXIT

124.D1492780
GROUND WIRE:SENSOR:PAPER FEED

53.D1492781
GROUND PLATE:PAPER FEED UNIT



130.D0BQ2786
PLAIN SHAFT BEARING:FEED 202201-02 O/O

51.D1492777
COIL SPRING:PRESSURE:PICKUP

46.D1492739
LEVER:PRESSURE RELEASE

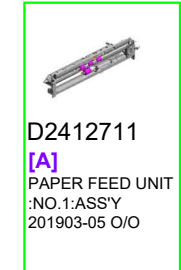
38.D1482755
COIL SPRING:RELEASE:SEPARATE

104.D2412754
COIL SPRING:PRESSURE:SEPARATE

47.D1492772
ARM:PICKUP

105.D2412762
TRANSPORT ROLLER:VERTICAL TRANSPORT:ASS'Y 202201-03 O/O

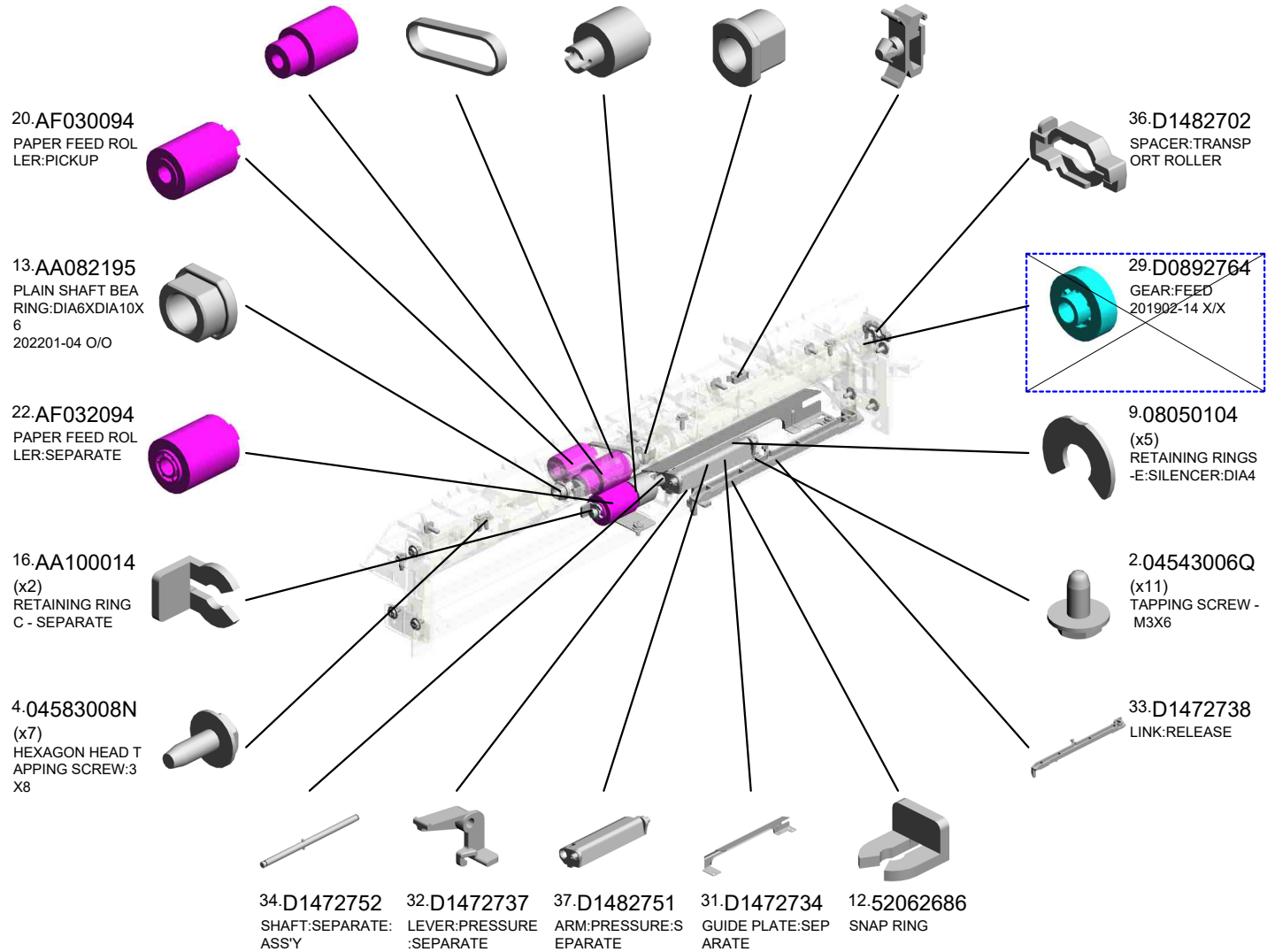
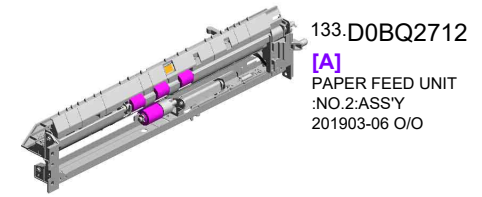
129.D0BQ2777
SHAFT:FEED:ASS'Y 201902-13 X/X



U001	U002	U003	U004	U005	U006	U007	U008	U009	U010	U011	U012	U013	U014	U015	U016	U017	U018
------	------	------	------	------	------	------	------	------	------	------	------	------	------	------	------	------	------

U005_S005
PAPER FEED UNIT:NO.2:ASS'Y

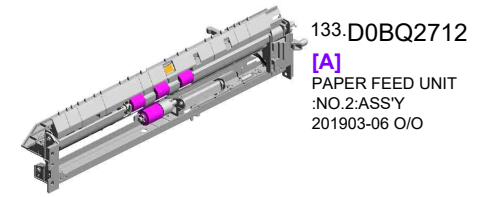
- 21.AF031094 PAPER FEED ROLLER:FEED
- 28.B8303504 TIMING BELT - 40S 2M100
- 30.D1292783 TORQUE LIMITER MECHANICAL CLUTCH:40MNM:DIA18
- 14.AA082196 BUSHING:DIA6XDI A10X9 202109-03 O/O
- 10.11050758 CLAMP:LWSM-030 6A



U001	U002	U003	U004	U005	U006	U007	U008	U009	U010	U011	U012	U013	U014	U015	U016	U017	U018
------	------	------	------	------	------	------	------	------	------	------	------	------	------	------	------	------	------

U005_S005
PAPER FEED UNIT:NO.2:ASS'Y

- 49.D1492774 PULLEY:IDLER:PIKUP
- 52.D1492778 FEELER:PAPER END
- 48.D0BQ2773 PULLEY:PICKUP:MECHANICAL ROLLER CLUTCH:U202011-06 X/O
- 131.AW020234 (x2) PHOTOINTERRUPTOR:GP1A173LCS5F201903-04 O/O



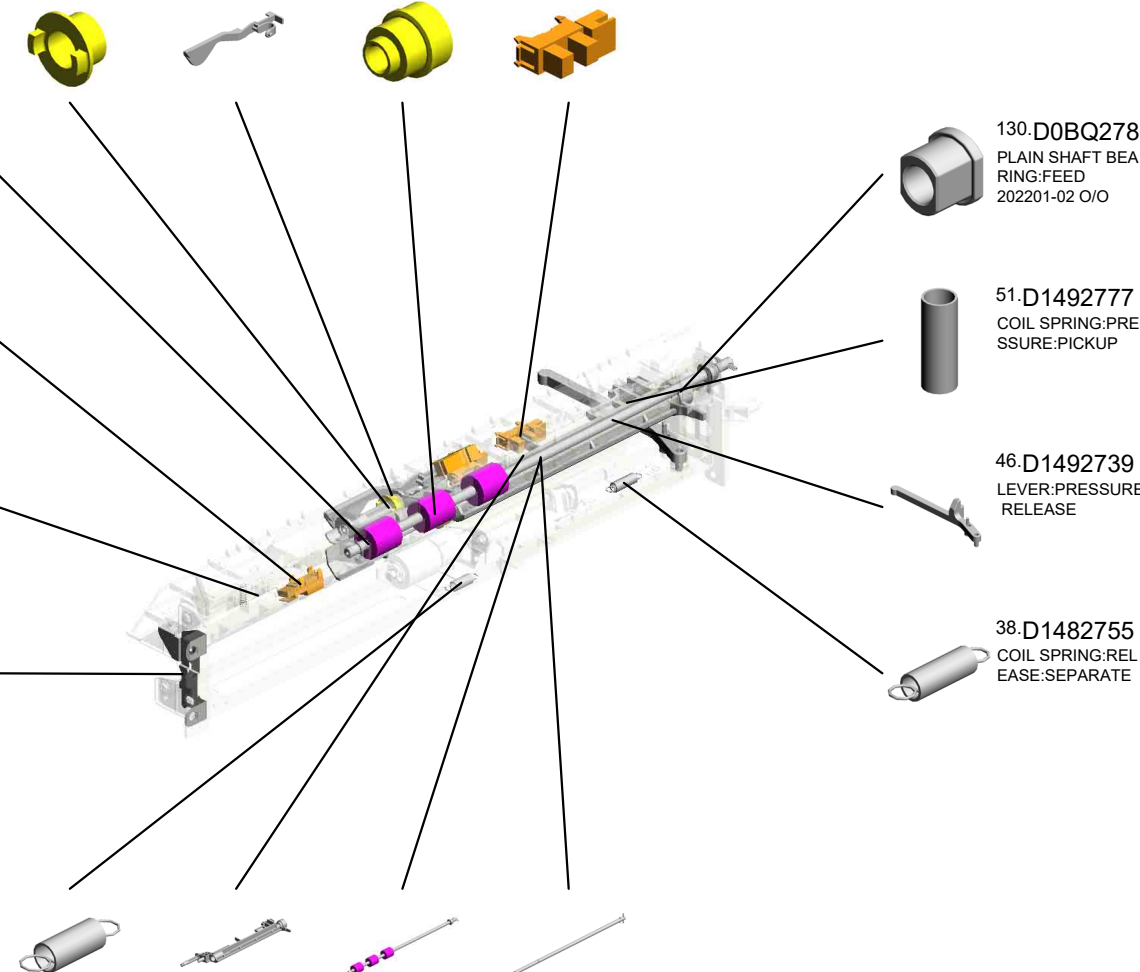
133.D0BQ2712
[A]
PAPER FEED UNIT
:NO.2:ASS'Y
201903-06 O/O

56.D1492791
GUIDE:FEED

120.GW010007
(x2)
PHOTO REFLECTION SENSOR:EXIT

124.D1492780
GROUND WIRE:SENSOR:PAPER FEED

53.D1492781
GROUND PLATE:PAPER FEED UNIT



104.D2412754
COIL SPRING:PRESSURE:SEPARATE

47.D1492772
ARM:PICKUP

105.D2412762
TRANSPORT ROLLER:VERTICAL TRANSPORT:ASS'Y
202201-03 O/O

129.D0BQ2777
SHAFT:FEED:ASS'Y
201902-13 X/X

130.D0BQ2786
PLAIN SHAFT BEARING:FEED
202201-02 O/O

51.D1492777
COIL SPRING:PRESSURE:PICKUP

46.D1492739
LEVER:PRESSURE RELEASE

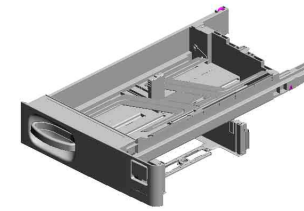
38.D1482755
COIL SPRING:RELEASE:SEPARATE



D2412714
[A]
PAPER FEED UNIT
:NO.2:ASS'Y
201903-06 O/O

U001	U002	U003	U004	U005	U006	U007	U008	U009	U010	U011	U012	U013	U014	U015	U016	U017	U018
------	------	------	------	------	------	------	------	------	------	------	------	------	------	------	------	------	------

U005_S006
PAPER TRAY:NO.1:ASS'Y



106.D2412800
PAPER TRAY:NO.1
:ASS'Y

- 74.D1492846 DECAL:SIZE INDICATION:END FENCE:NO.1:FRONT
- 75.D1492847 DECAL:SIZE INDICATION:END FENCE:NO.1:REAR
- 59.D1492814 COIL SPRING:EAR TH
- 57.D1492812 (x4) ROLLER:PAPER TRAY:DIA19

80.D1492863
DECAL:PAPER SET DIRECTION:TRAY:NO.1

5.04583010N (x2)
HEXAGON HEAD TAPPING SCREW:3X10

79.D2442856
GRIP:PAPER TRAY 201702-05 X/O

109.D2412865
COVER:PAPER TRAY:NO.1

100.D2411242
COVER:MAIN SWITCH

67.D1492835 (x2)
RACK:SIDE FENCE

1.03603006N (x2)
SCREW - M3X6

68.D1492836
GEAR:Z20

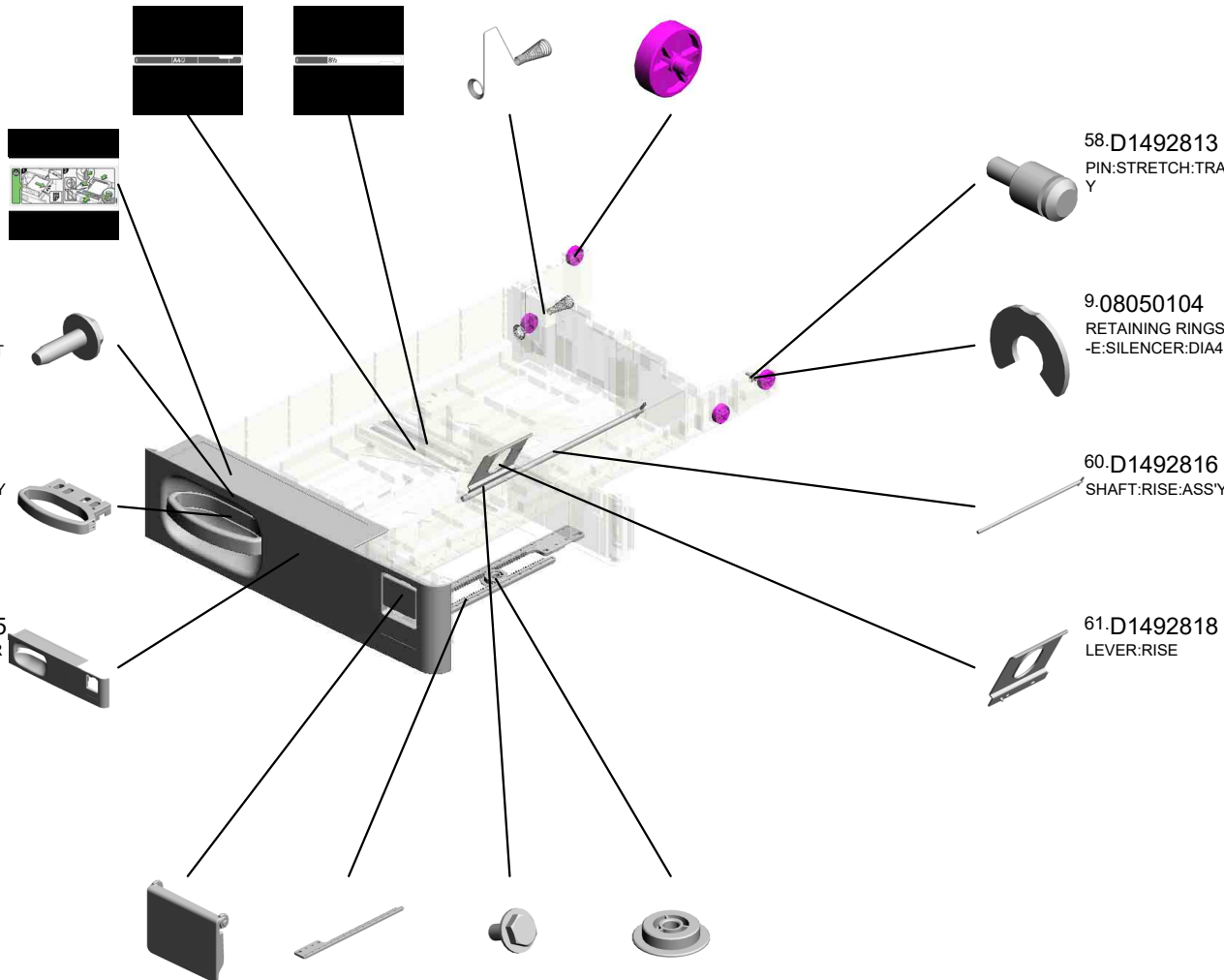
58.D1492813
PIN:STRETCH:TRAY

5.04583010N (x 3)
HEXAGON HEAD TAPPING SCREW:3X10

9.08050104
RETAINING RINGS -E:SILENCER:DIA4

60.D1492816
SHAFT:RISE:ASS'Y

61.D1492818
LEVER:RISE



U001	U002	U003	U004	U005	U006	U007	U008	U009	U010	U011	U012	U013	U014	U015	U016	U017	U018
------	------	------	------	------	------	------	------	------	------	------	------	------	------	------	------	------	------

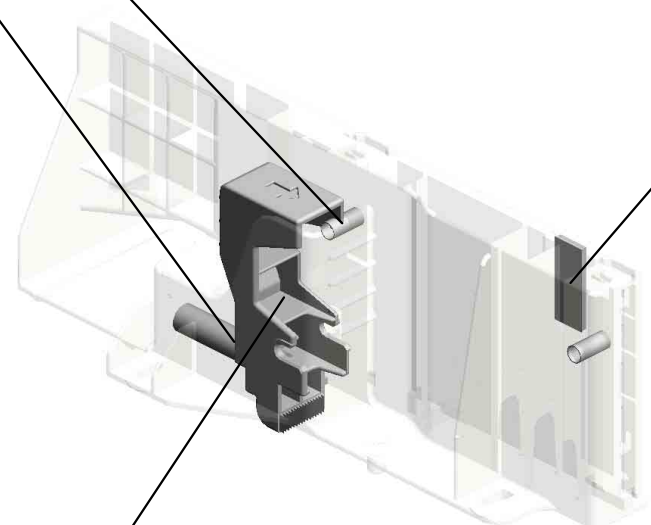
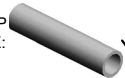
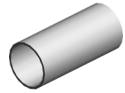
U005_S006_S001
SIDE FENCE:FRONT:NO.1:ASS'Y

63.D1492826
(x2)
COMPRESSION SP
RING:SIDE FENCE:
PLATE:FRONT

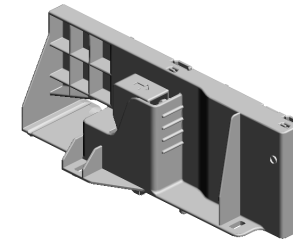
64.D1492827
COMPRESSION SP
RING:SIDE FENCE:
POSITIONING

27.B2342864
PAD:CLEANER

65.D1492828
SIDE FENCE:FRON
T:NO.1:ASS'Y



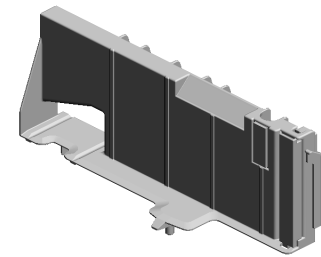
62.D1492824
LEVER:STOPPER:
FRONT



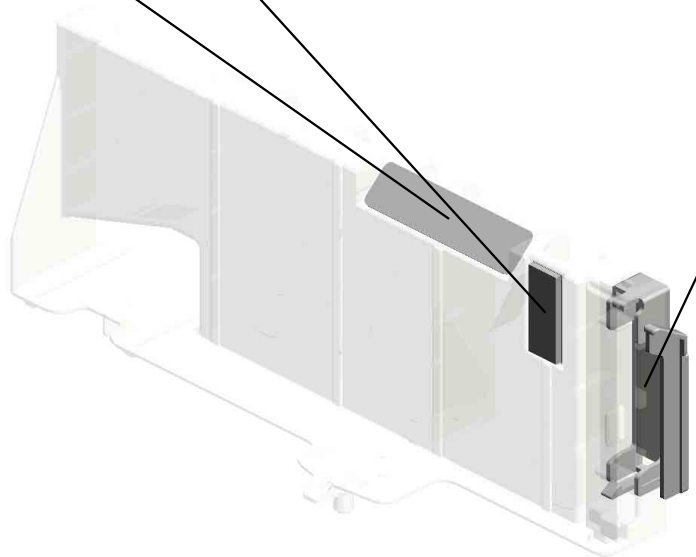
U001	U002	U003	U004	U005	U006	U007	U008	U009	U010	U011	U012	U013	U014	U015	U016	U017	U018
------	------	------	------	-------------	------	------	------	------	------	------	------	------	------	------	------	------	------

U005_S006_S002
SIDE FENCE:REAR:NO.1:ASS'Y

96.D1492952 27.B2342864
DECAL:SIDE FENC PAD:CLEANER
E:PAPER VOLUME



69.D1492838
SIDE FENCE:REAR
:NO.1:ASS'Y

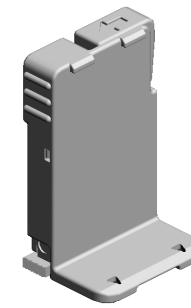


66.D1492834
GUIDE:FEELER:PA
PER END

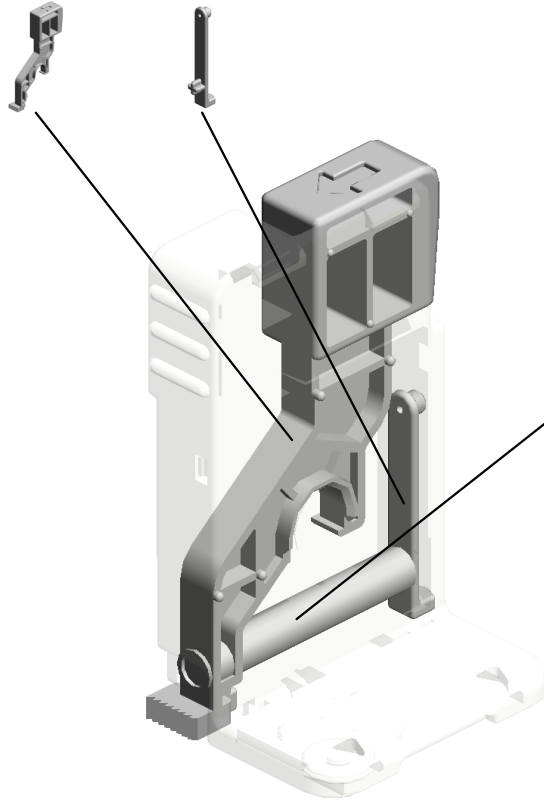
U001	U002	U003	U004	U005	U006	U007	U008	U009	U010	U011	U012	U013	U014	U015	U016	U017	U018
------	------	------	------	------	------	------	------	------	------	------	------	------	------	------	------	------	------

U005_S006_S003
END FENCE:PAPER TRAY:ASS'Y

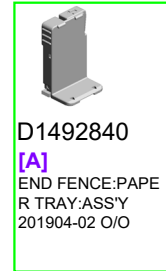
71.D1492842 72.D1492843
LEVER:END FENC CLICK:END FENCE
E



134.D0BQ2840
[A]
END FENCE:PAPE
R TRAY:ASS'Y
201904-02 O/O



73.D1492845
COMPRESSION SP
RING:END FENCE:
LEVER:5N

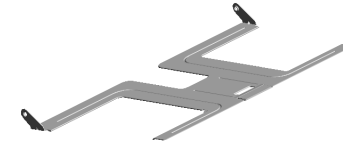


D1492840
[A]
END FENCE:PAPE
R TRAY:ASS'Y
201904-02 O/O

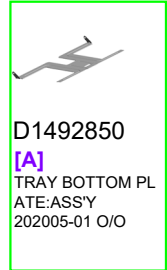
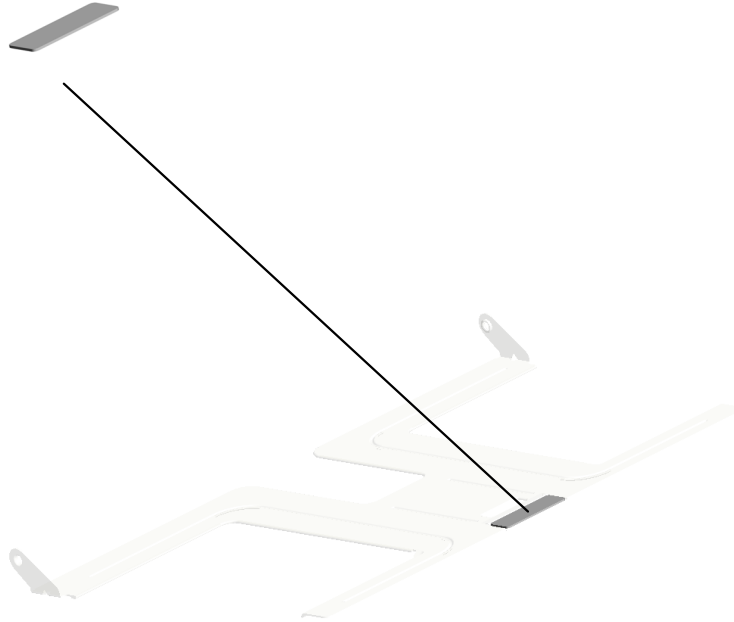
U001	U002	U003	U004	U005	U006	U007	U008	U009	U010	U011	U012	U013	U014	U015	U016	U017	U018
------	------	------	------	------	------	------	------	------	------	------	------	------	------	------	------	------	------

U005_S006_S004
TRAY BOTTOM PLATE:ASS'Y

126.AF013019
PAD:TRAY BOTTO
M PLATE
201809-01 O/O



78.D0BQ2850
[A]
TRAY BOTTOM PL
ATE:ASS'Y
202005-01 O/O

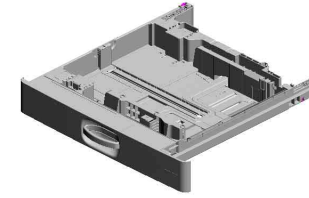


D1492850
[A]
TRAY BOTTOM PL
ATE:ASS'Y
202005-01 O/O

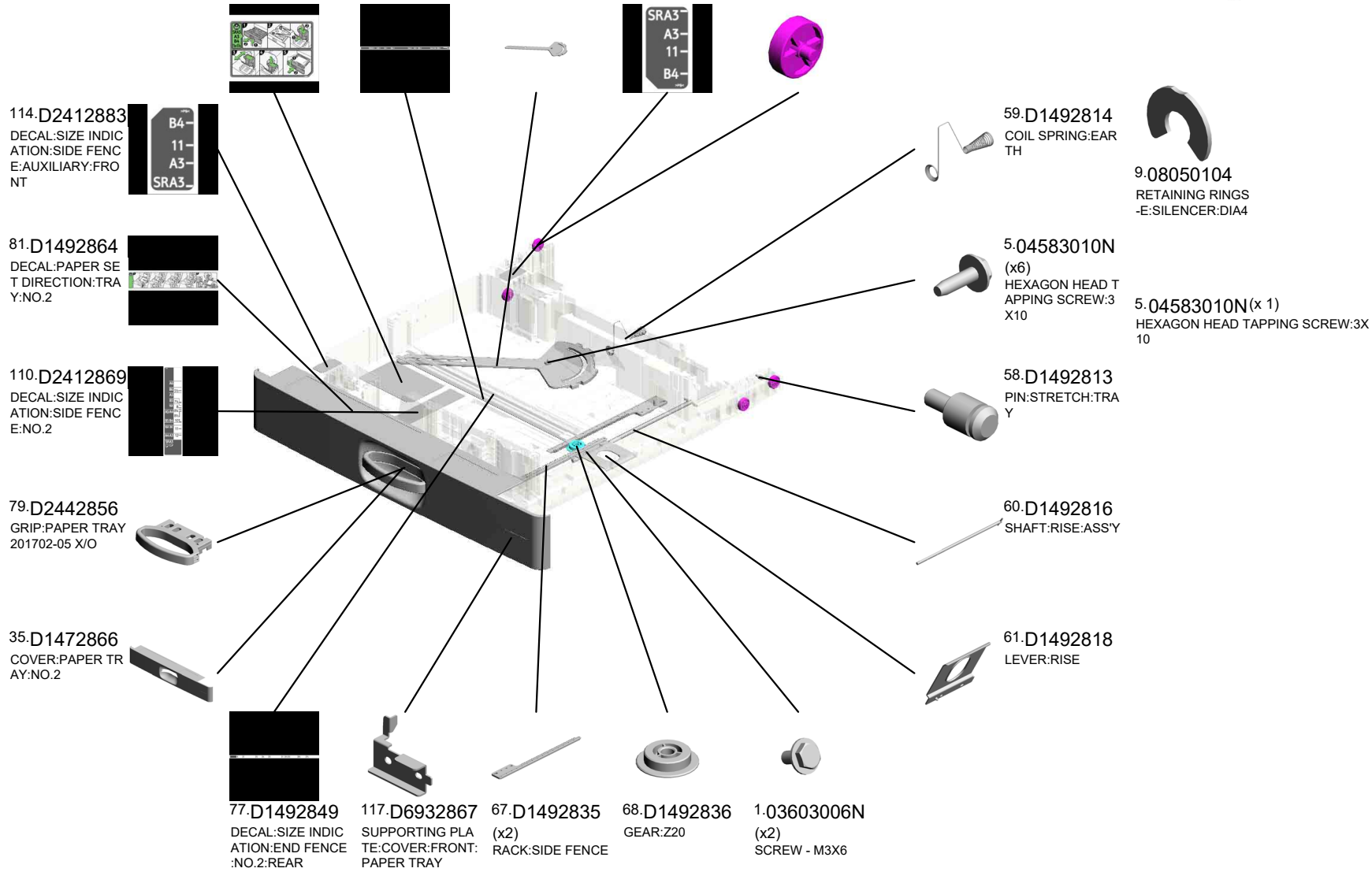
U001	U002	U003	U004	U005	U006	U007	U008	U009	U010	U011	U012	U013	U014	U015	U016	U017	U018
------	------	------	------	------	------	------	------	------	------	------	------	------	------	------	------	------	------

U005_S007
PAPER TRAY:NO.2:ASS'Y

- 108.D2412837 DECAL:SET:SIDE FENCE:AUXILIARY
- 76.D1492848 DECAL:SIZE INDICATION:END FENCE:NO.2:FRONT
- 82.D1492872 LINK:END FENCE:PAPER SIZE SENSOR
- 115.D2412884 DECAL:SIZE INDICATION:SIDE FENCE:AUXILIARY:REAR
- 57.D1492812 (x4) ROLLER:PAPER TRAY:DIA19



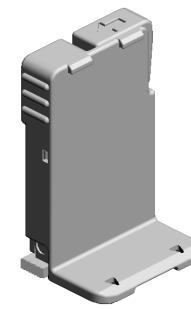
107.D0BQ2805
[A]
PAPER TRAY:NO.2
:ASS'Y
202106-05 O/O



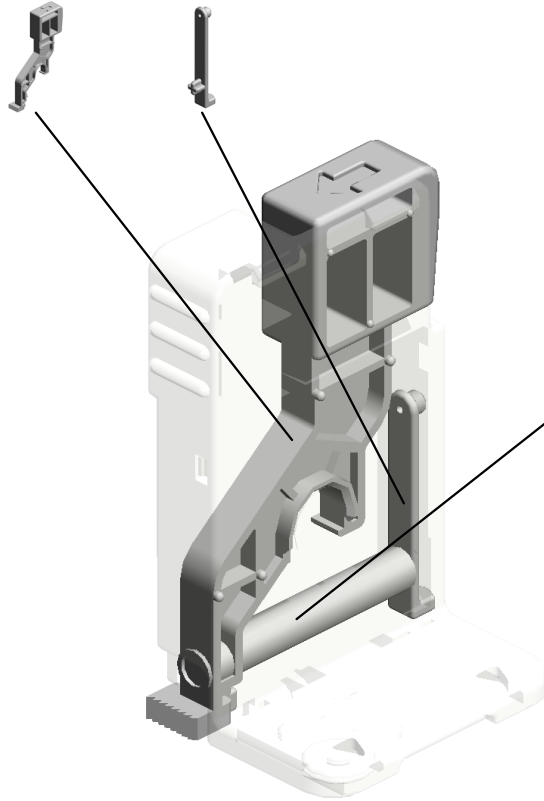
D2412805
[A]
PAPER TRAY:NO.2
:ASS'Y
202106-05 O/O

U005_S007_S001
END FENCE:PAPER TRAY:ASS'Y

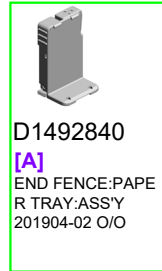
71.D1492842 72.D1492843
LEVER:END FENC CLICK:END FENCE
E



134.D0BQ2840
[A]
END FENCE:PAPE
R TRAY:ASS'Y
201904-02 O/O



73.D1492845
COMPRESSION SP
RING:END FENCE:
LEVER:5N

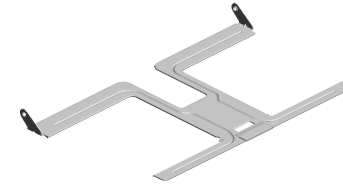


D1492840
[A]
END FENCE:PAPE
R TRAY:ASS'Y
201904-02 O/O

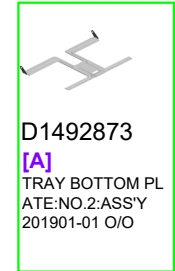
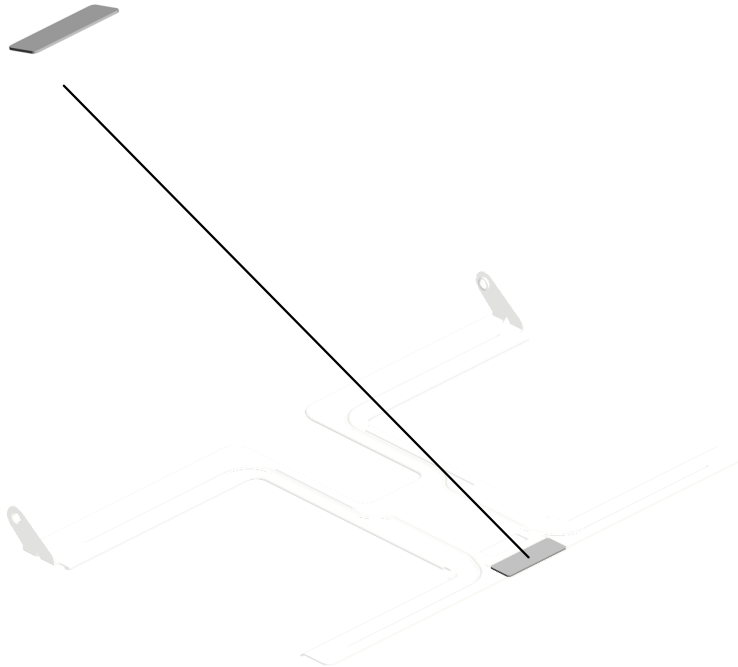
U001	U002	U003	U004	U005	U006	U007	U008	U009	U010	U011	U012	U013	U014	U015	U016	U017	U018
------	------	------	------	------	------	------	------	------	------	------	------	------	------	------	------	------	------

U005_S007_S002
TRAY BOTTOM PLATE:NO.2:ASS'Y

126.AF013019
PAD:TRAY BOTTO
M PLATE
201809-01 O/O



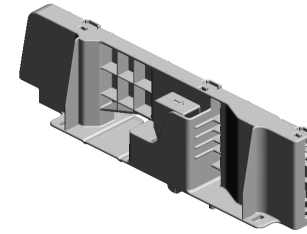
128.D0BQ2873
[A]
TRAY BOTTOM PL
ATE:NO.2:ASS'Y
201901-01 O/O



U001	U002	U003	U004	U005	U006	U007	U008	U009	U010	U011	U012	U013	U014	U015	U016	U017	U018
------	------	------	------	------	------	------	------	------	------	------	------	------	------	------	------	------	------

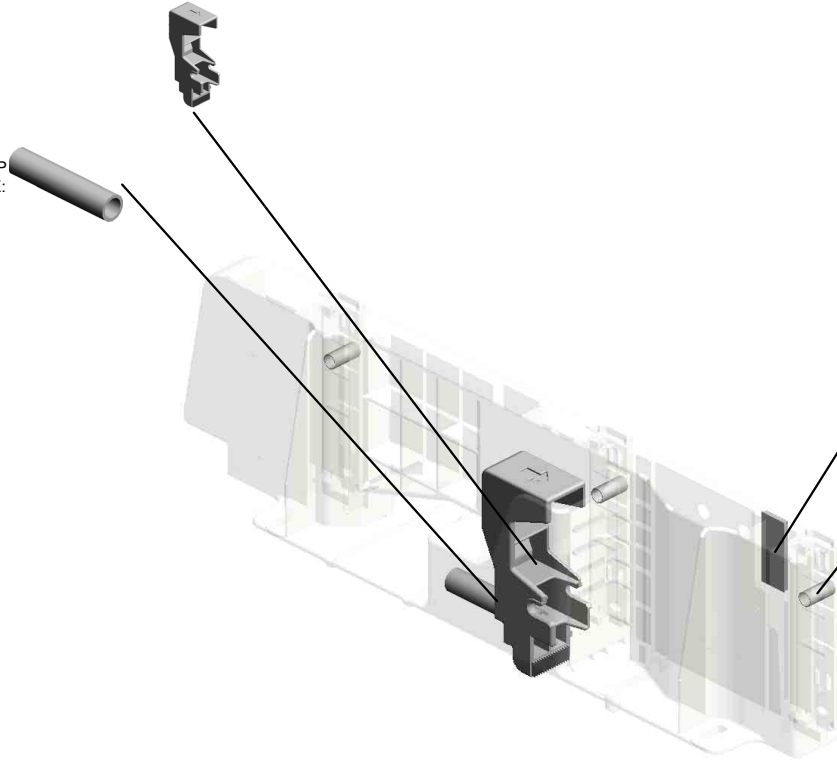
U005_S007_S003
SIDE FENCE:FRONT:ASS'Y

62.D1492824
LEVER:STOPPER:
FRONT



112.D2412875
SIDE FENCE:FRON
T:ASSY

64.D1492827
COMPRESSION SP
RING:SIDE FENCE:
POSITIONING



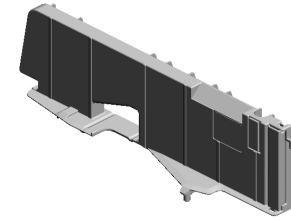
27.B2342864
PAD:CLEANER

63.D1492826
(x3)
COMPRESSION SP
RING:SIDE FENCE:
PLATE:FRONT

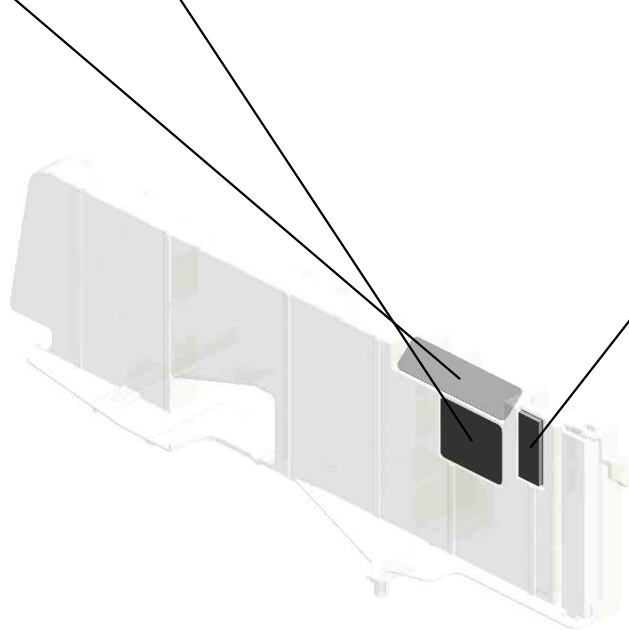
U001	U002	U003	U004	U005	U006	U007	U008	U009	U010	U011	U012	U013	U014	U015	U016	U017	U018
------	------	------	------	-------------	------	------	------	------	------	------	------	------	------	------	------	------	------

U005_S007_S004
SIDE FENCE:REAR:ASS'Y

96.D1492952 97.D1492954
DECAL:SIDE FENC DECAL:SIDE FENC
E:PAPER VOLUME E:PAPER VOLUME:
ENVELOPE



113.D0BQ2880
[A]
SIDE FENCE:REAR
:ASS'Y
202109-01 O/O



27.B2342864
PAD:CLEANER

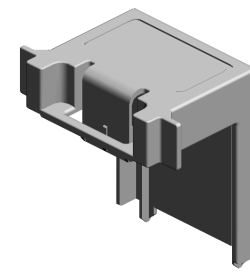
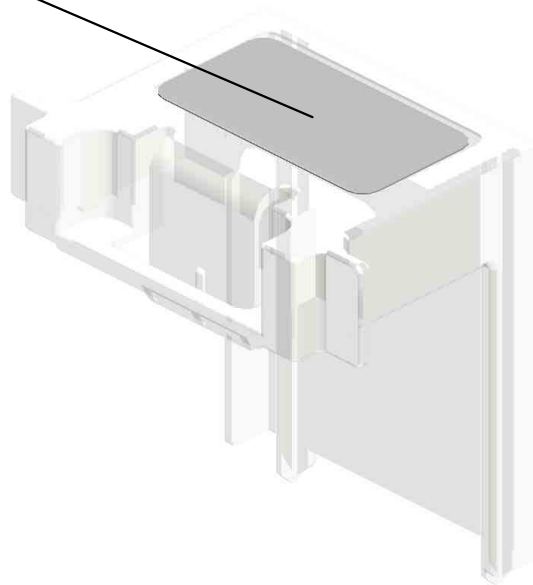


D2412880
[A]
SIDE FENCE:REAR
:ASS'Y
202109-01 O/O

U001	U002	U003	U004	U005	U006	U007	U008	U009	U010	U011	U012	U013	U014	U015	U016	U017	U018
------	------	------	------	------	------	------	------	------	------	------	------	------	------	------	------	------	------

U005_S007_S005
SIDE FENCE:AUXILIARY

116.D2412885
DECAL:SIDE FENC
E:AUXILIARY

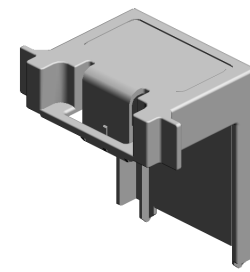
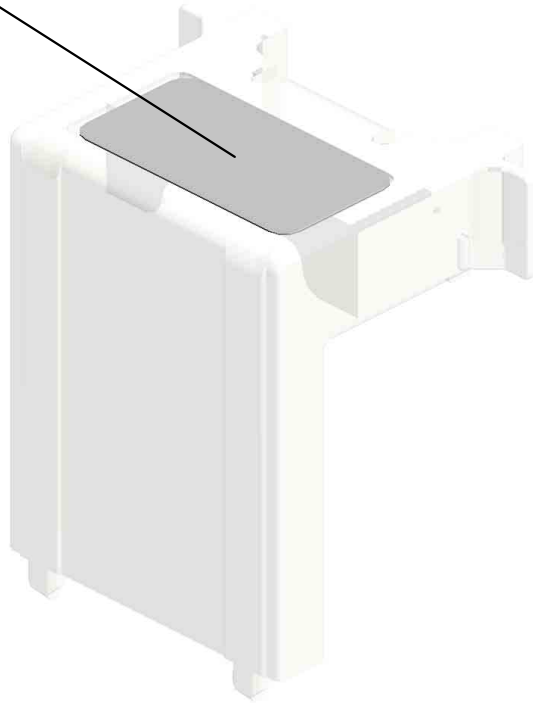


111.D2412873
SIDE FENCE:AUXIL
IARY

U001	U002	U003	U004	U005	U006	U007	U008	U009	U010	U011	U012	U013	U014	U015	U016	U017	U018
------	------	------	------	------	------	------	------	------	------	------	------	------	------	------	------	------	------

U005_S007_S006
SIDE FENCE:AUXILIARY

116.D2412885
DECAL:SIDE FENC
E:AUXILIARY



111.D2412873
SIDE FENCE:AUXIL
IARY

U001	U002	U003	U004	U005	U006	U007	U008	U009	U010	U011	U012	U013	U014	U015	U016	U017	U018
------	------	------	------	------	------	------	------	------	------	------	------	------	------	------	------	------	------

U006.TONER SUPPLY

U006 S005
D1473281
HOUSING:TONER CARTRID
GE:BK:ASS'Y

U006 S001
D0BQ3219
DRIVE UNIT:TONER BOTTLE
:ASS'Y

U006 S007
D1473282
HOUSING:TONER CARTRID
GE:CMY:ASS'Y

U006 S004
D0BQ3219
DRIVE UNIT:TONER BOTTLE
:ASS'Y

U006 S008
D1473282
HOUSING:TONER CARTRID
GE:CMY:ASS'Y

U006 S003
D0BQ3219
DRIVE UNIT:TONER BOTTLE
:ASS'Y

U006 S002
D0BQ3219
DRIVE UNIT:TONER BOTTLE
:ASS'Y

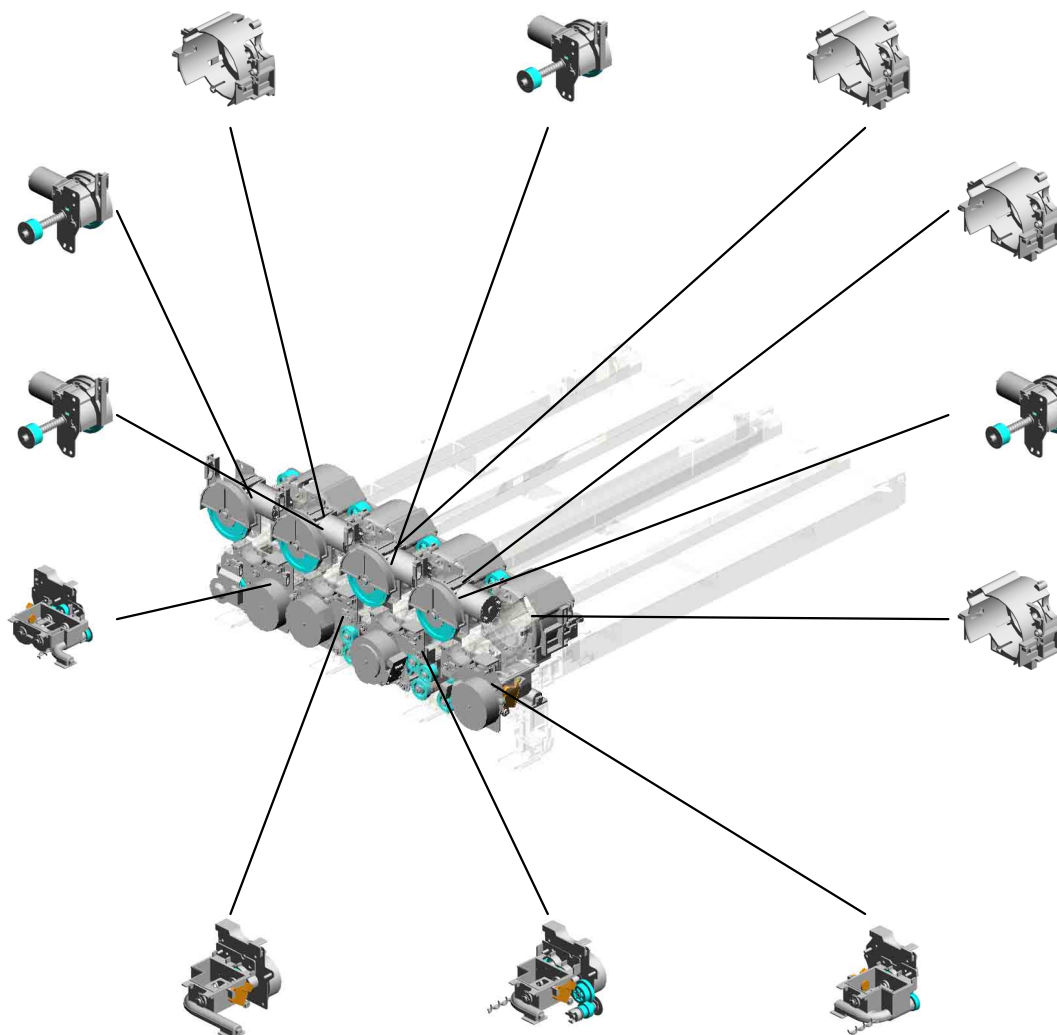
U006 S009
D0BQ3242
TONER HOPPER:TONER SU
PPLY:BK:ASS'Y

U006 S006
D1473282
HOUSING:TONER CARTRID
GE:CMY:ASS'Y

U006 S010
D0BQ3272
TONER HOPPER:TONER SU
PPLY:C:ASS'Y

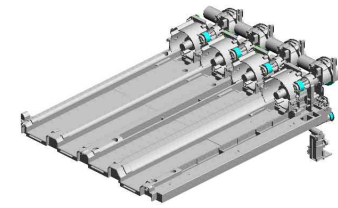
U006 S011
D0BQ3282
TONER HOPPER:TONER SU
PPLY:M:ASS'Y

U006 S012
D0BQ3312
TONER HOPPER:TONER SU
PPLY:Y:ASS'Y



U001	U002	U003	U004	U005	U006	U007	U008	U009	U010	U011	U012	U013	U014	U015	U016	U017	U018
------	------	------	------	------	------	------	------	------	------	------	------	------	------	------	------	------	------

U006 TONER SUPPLY



44.D0BQ3283
[A]
TRANSPORT SCR
EW:NOZZLE:BK:AS
S'Y
202203-02 O/O



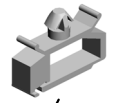
45.D0BQ3284
(x3)
[B]
TRANSPORT SCR
EW:NOZZLE:CMY:
S'Y
202203-01 O/O



3.04583008N
(x35)
HEXAGON HEAD T
APPING SCREW:3
X8



9.11050760
(x3)
CLAMP:LWSM-051
1A



22.D0AF3307
BASE:TONER SUP
PLY
202006-03 O/O



33.D1493256
BASE:TONER HOP
PER:REAR:ASS'Y



32.D2413336
COVER:GEAR:TON
ER SUPPLY SUB-U
NIT:C



2.04543008Q
(x18)
TAPPING SCREW:
3X8



34.D0BQ5172
(x4)
PCB:TCB
201804-01 O/O



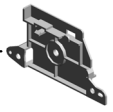
26.D1493330
(x4)
SEAL:CONNECTIO
N:CARTRIDGE:TO
NER SUPPLY



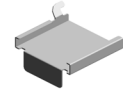
24.D1493321
(x4)
DUCT:VERTICAL T
RANSPORT:TONE
R SUPPLY



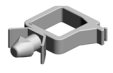
27.D1493331
COVER:GEAR:TON
ER SUPPLY SUB-U
NIT



25.D1493322
(x4)
SHUTTER:DUCT:T
ONER SUPPLY



7.11050488
HARNES CLAMP



11.B2233241
(x4)
SPRING:SHUTTER:
PUMP UNIT



D0BQ3286
[B]
TRANSPORT SCR
EW:NOZZLE:CMY:
ASS'Y
202203-01 O/O

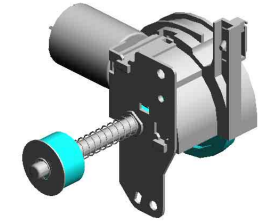


D0BQ3285
[A]
TRANSPORT SCR
EW:NOZZLE:BK:AS
S'Y
202203-02 O/O



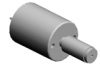
U006_S001
 DRIVE UNIT:TONER BOTTLE:ASS'Y

18.D1493210
 DC MOTOR:TONE
 R BOTTLE:ASS'Y:5.
 28W:BRUSH

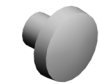
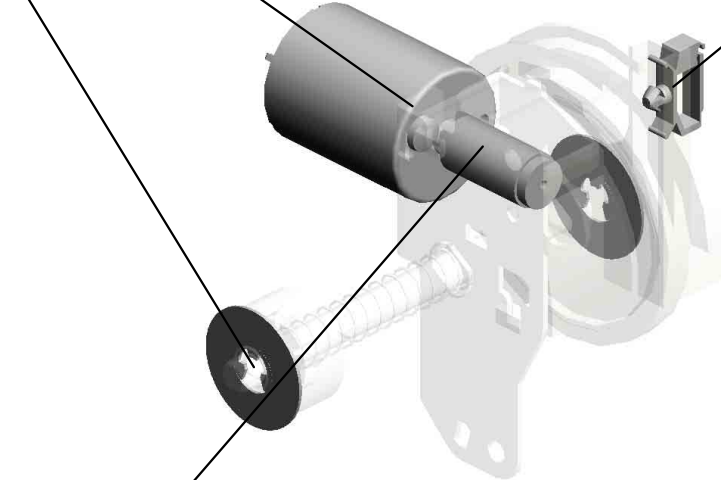


12.D0BQ3219
 [A]
 DRIVE UNIT: TONE
 R BOTTLE: ASS'Y
 201907-06 O/O

5.07200040E
 (x2)
 RETAINING RING -
 M4



10.11050762
 CLAMP:LWS-0711A



1.03530030N
 (x2)
 SCREW:M3X3

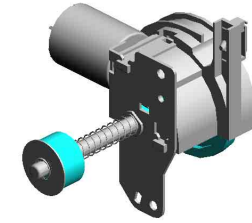


D1473269
 [A]
 DRIVE UNIT:TONE
 R BOTTLE:ASS'Y
 201907-06 O/O

U001	U002	U003	U004	U005	U006	U007	U008	U009	U010	U011	U012	U013	U014	U015	U016	U017	U018
------	------	------	------	------	------	------	------	------	------	------	------	------	------	------	------	------	------

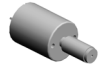
U006_S002
DRIVE UNIT:TONER BOTTLE:ASS'Y

18.D1493210
DC MOTOR:TONE
R BOTTLE:ASS'Y:5.
28W:BRUSH

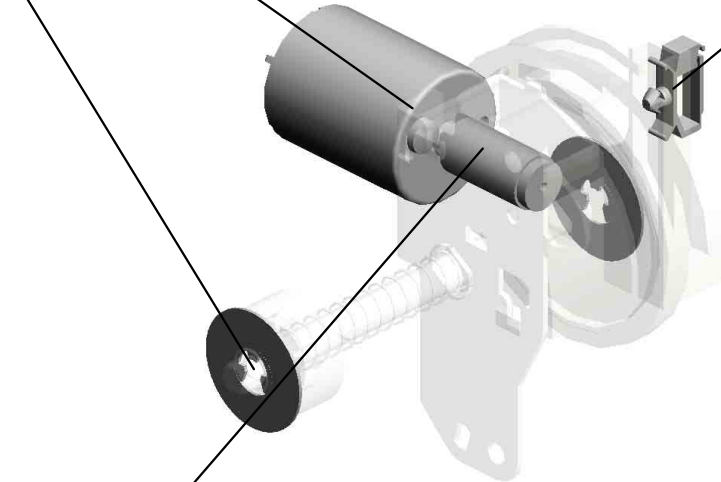


12.D0BQ3219
[A]
DRIVE UNIT:TONE
R BOTTLE:ASS'Y
201907-06 O/O

5.0720040E
(x2)
RETAINING RING -
M4



10.11050762
CLAMP:LWS-0711A



1.03530030N
(x2)
SCREW:M3X3

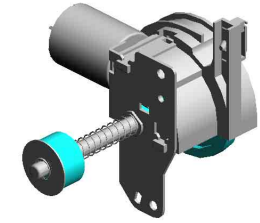


D1473269
[A]
DRIVE UNIT:TONE
R BOTTLE:ASS'Y
201907-06 O/O

U001	U002	U003	U004	U005	U006	U007	U008	U009	U010	U011	U012	U013	U014	U015	U016	U017	U018
------	------	------	------	------	-------------	------	------	------	------	------	------	------	------	------	------	------	------

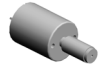
U006_S003
 DRIVE UNIT:TONER BOTTLE:ASS'Y

18.D1493210
 DC MOTOR:TONE
 R BOTTLE:ASS'Y:5.
 28W:BRUSH

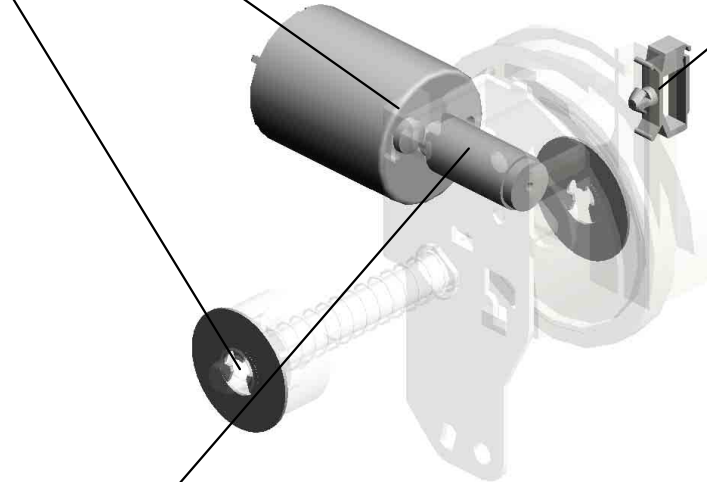


12.D0BQ3219
 [A]
 DRIVE UNIT:TONE
 R BOTTLE:ASS'Y
 201907-06 O/O

5.07200040E
 (x2)
 RETAINING RING -
 M4



10.11050762
 CLAMP:LWS-0711A



1.03530030N
 (x2)
 SCREW:M3X3

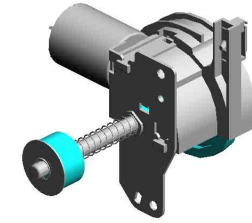


D1473269
 [A]
 DRIVE UNIT:TONE
 R BOTTLE:ASS'Y
 201907-06 O/O

U001	U002	U003	U004	U005	U006	U007	U008	U009	U010	U011	U012	U013	U014	U015	U016	U017	U018
------	------	------	------	------	-------------	------	------	------	------	------	------	------	------	------	------	------	------

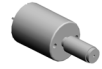
U006_S004
DRIVE UNIT:TONER BOTTLE:ASS'Y

18.D1493210
DC MOTOR:TONE
R BOTTLE:ASS'Y:5.
28W:BRUSH

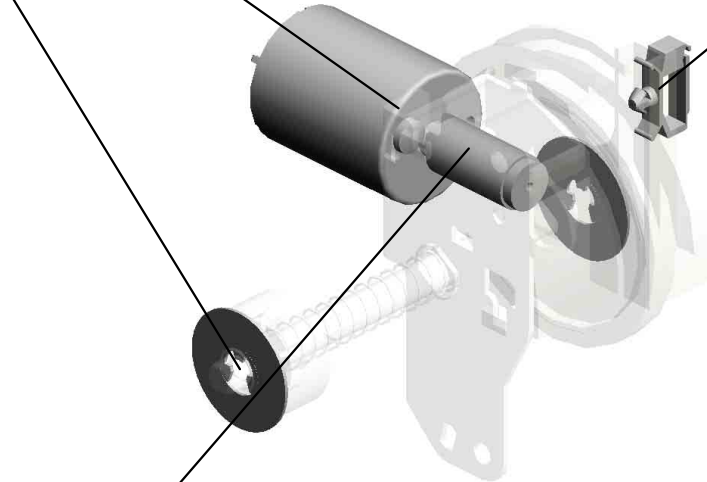


12.D0BQ3219
[A]
DRIVE UNIT:TONE
R BOTTLE:ASS'Y
201907-06 O/O

5.07200040E
(x2)
RETAINING RING -
M4



10.11050762
CLAMP:LWS-0711A



1.03530030N
(x2)
SCREW:M3X3



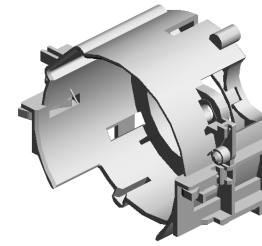
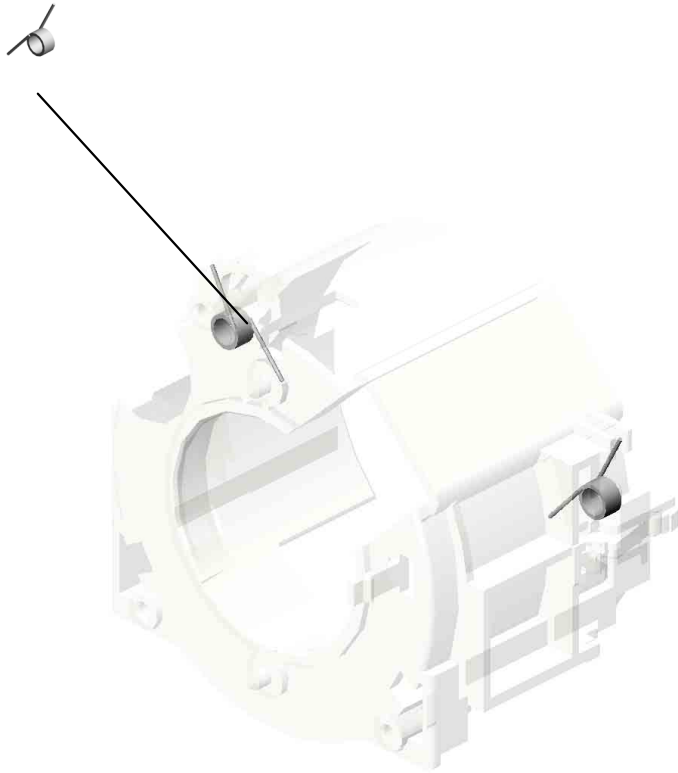
D1473269
[A]
DRIVE UNIT:TONE
R BOTTLE:ASS'Y
201907-06 O/O

U001	U002	U003	U004	U005	U006	U007	U008	U009	U010	U011	U012	U013	U014	U015	U016	U017	U018
------	------	------	------	------	-------------	------	------	------	------	------	------	------	------	------	------	------	------

U006_S005
HOUSING:TONER CARTRIDGE:BK:ASS'Y

17.D1473325

(x2)
TORSION SPRING:
STOPPER:TONER
CARTRIDGE:4.8N

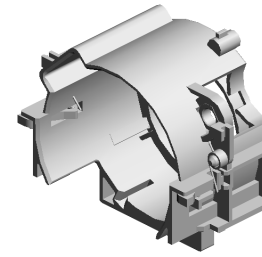


13.D1473281
HOUSING:TONER
CARTRIDGE:BK:AS
SY

U001	U002	U003	U004	U005	U006	U007	U008	U009	U010	U011	U012	U013	U014	U015	U016	U017	U018
------	------	------	------	------	-------------	------	------	------	------	------	------	------	------	------	------	------	------

U006_S006
HOUSING:TONER CARTRIDGE:CMY:ASS'Y

17.D1473325
(x2)
TORSION SPRING:
STOPPER:TONER
CARTRIDGE:4.8N



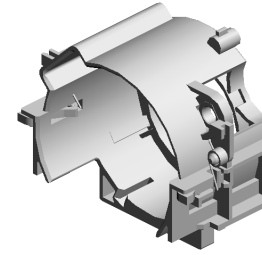
14.D1473282
HOUSING:TONER
CARTRIDGE:CMY:
ASS'Y



U001	U002	U003	U004	U005	U006	U007	U008	U009	U010	U011	U012	U013	U014	U015	U016	U017	U018
------	------	------	------	------	-------------	------	------	------	------	------	------	------	------	------	------	------	------

U006_S007
HOUSING:TONER CARTRIDGE:CMY:ASS'Y

17.D1473325
(x2)
TORSION SPRING:
STOPPER:TONER
CARTRIDGE:4.8N



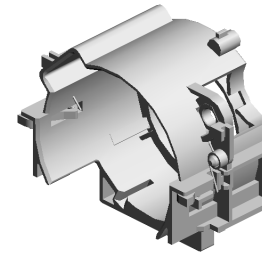
14.D1473282
HOUSING:TONER
CARTRIDGE:CMY:
ASS'Y



U001	U002	U003	U004	U005	U006	U007	U008	U009	U010	U011	U012	U013	U014	U015	U016	U017	U018
------	------	------	------	------	-------------	------	------	------	------	------	------	------	------	------	------	------	------

U006_S008
HOUSING:TONER CARTRIDGE:CMY:ASS'Y

17.D1473325
(x2)
TORSION SPRING:
STOPPER:TONER
CARTRIDGE:4.8N



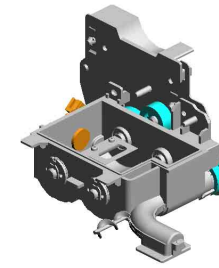
14.D1473282
HOUSING:TONER
CARTRIDGE:CMY:
ASS'Y



U001	U002	U003	U004	U005	U006	U007	U008	U009	U010	U011	U012	U013	U014	U015	U016	U017	U018
------	------	------	------	------	-------------	------	------	------	------	------	------	------	------	------	------	------	------

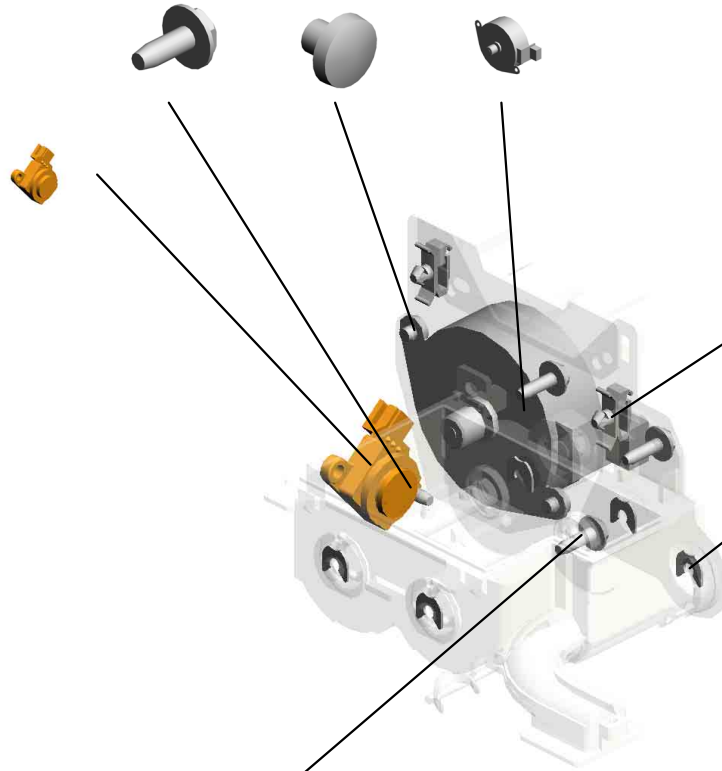
U006_S009
 TONER HOPPER:TONER SUPPLY:BK:ASS'Y

3.04583008N 1.03530030N 28.D1493350
 HEXAGON HEAD TAPPING SCREW:3 X8 (x2) DC STEPPER MOTOR:TONER SUPPLY



35.D0BQ3242
 [A] TONER HOPPER:TONER SUPPLY:BK:ASS'Y
 202011-02 O/O

31.GW230008
 TONER END SENSOR



8.11050758
 (x2)
 CLAMP:LWSM-030 6A

6.08050103
 (x5)
 RETAINING RINGS -E.SILENCER:DIA3

4.04583010N
 (x3)
 HEXAGON HEAD TAPPING SCREW:3 X10

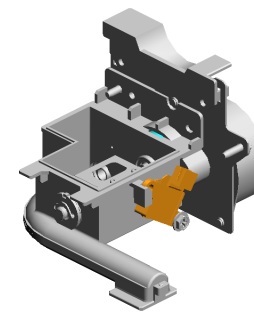


D0BQ3240
 [A] TONER HOPPER:TONER SUPPLY:BK:ASS'Y
 202011-02 O/O

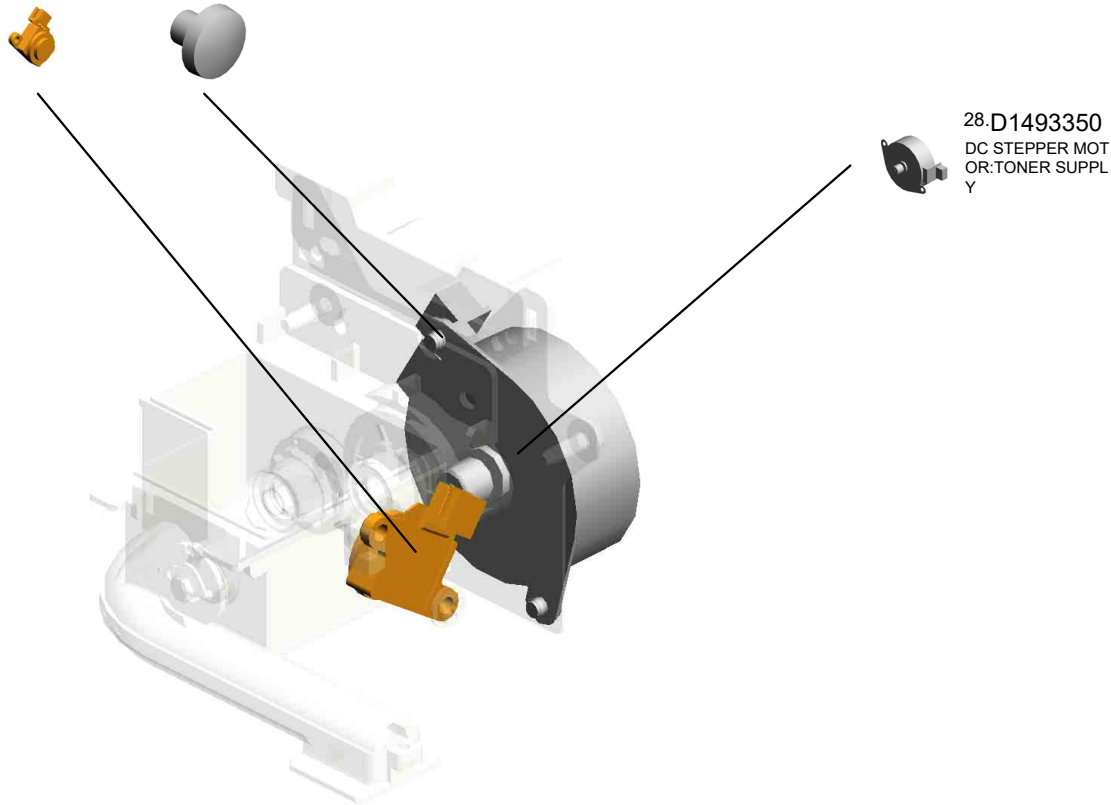
U001	U002	U003	U004	U005	U006	U007	U008	U009	U010	U011	U012	U013	U014	U015	U016	U017	U018
------	------	------	------	------	------	------	------	------	------	------	------	------	------	------	------	------	------

U006_S010
TONER HOPPER:TONER SUPPLY:C:ASS'Y

31.GW230008 1.03530030N
TONER END SENS (x2)
OR SCREW:M3X3



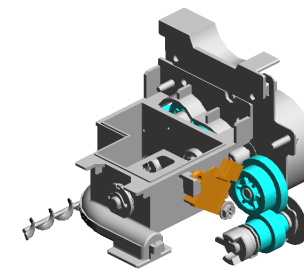
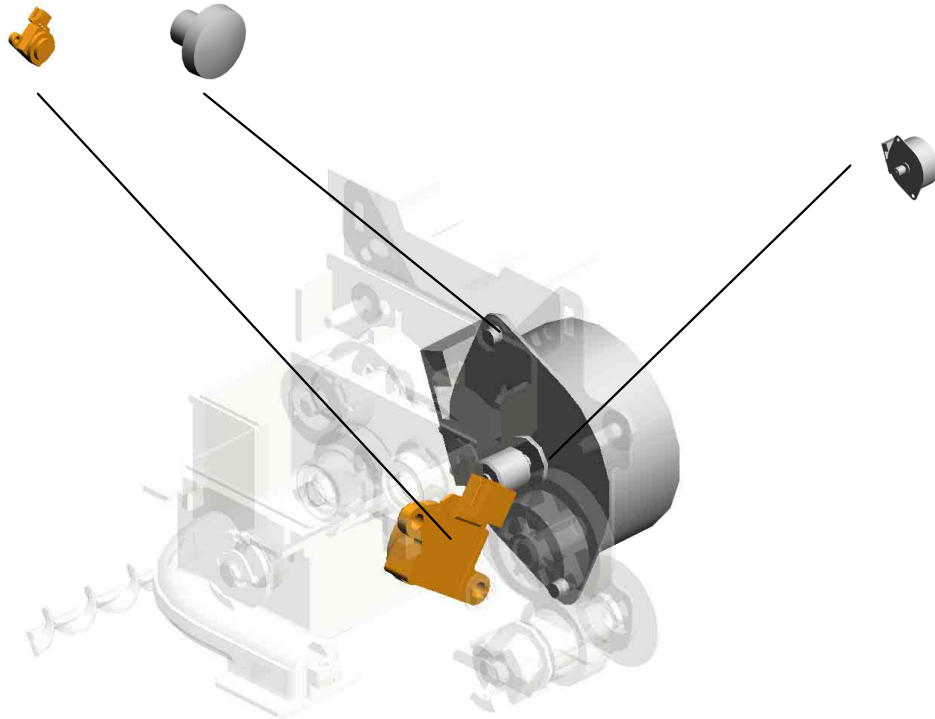
36.D0BQ3272
[A]
TONER HOPPER:T
ONER SUPPLY:C:A
SS'Y
202011-03 O/O



U001	U002	U003	U004	U005	U006	U007	U008	U009	U010	U011	U012	U013	U014	U015	U016	U017	U018
------	------	------	------	------	-------------	------	------	------	------	------	------	------	------	------	------	------	------

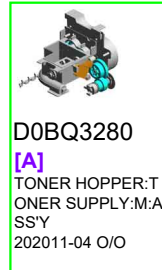
U006_S011
TONER HOPPER:TONER SUPPLY:M:ASS'Y

31.GW230008 1.03530030N
TONER END SENS (x2)
OR SCREW:M3X3



37.D0BQ3282
[A]
TONER HOPPER:T
ONER SUPPLY:M:A
SS'Y
202011-04 O/O

30.D1496318
DC STEPPER MOT
OR:ON-OFF

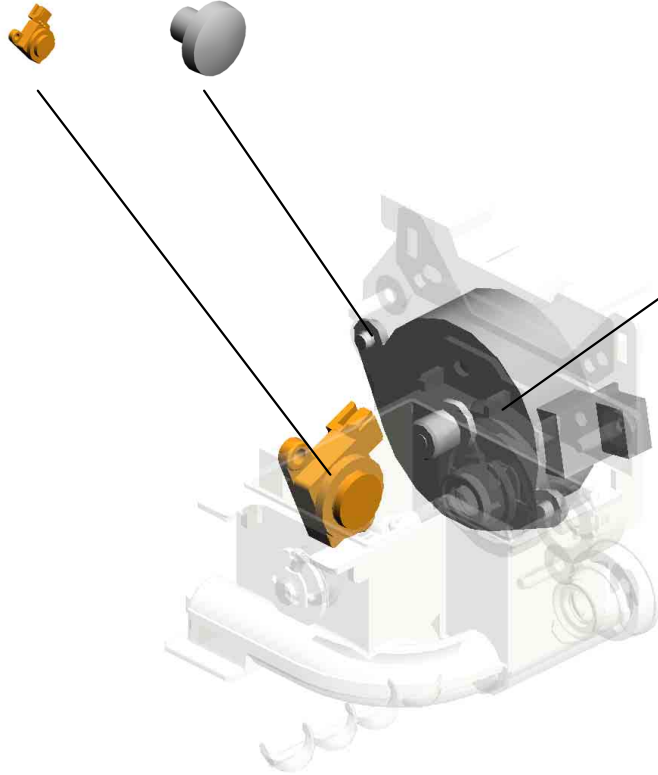


D0BQ3280
[A]
TONER HOPPER:T
ONER SUPPLY:M:A
SS'Y
202011-04 O/O

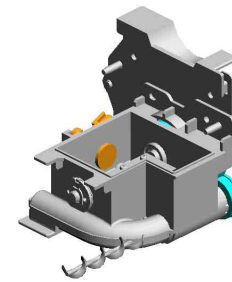
U001	U002	U003	U004	U005	U006	U007	U008	U009	U010	U011	U012	U013	U014	U015	U016	U017	U018
------	------	------	------	------	-------------	------	------	------	------	------	------	------	------	------	------	------	------

U006_S012
TONER HOPPER:TONER SUPPLY:Y:ASS'Y

31.GW230008 1.03530030N
TONER END SENS (x2)
OR SCREW:M3X3



28.D1493350
DC STEPPER MOT
OR:TONER SUPPL
Y



38.D0BQ3312
[A]
TONER HOPPER:T
ONER SUPPLY:Y:A
SS'Y
202011-05 O/O



D0BQ3310
[A]
TONER HOPPER:T
ONER SUPPLY:Y:A
SS'Y
202011-05 O/O

U001	U002	U003	U004	U005	U006	U007	U008	U009	U010	U011	U012	U013	U014	U015	U016	U017	U018
------	------	------	------	------	-------------	------	------	------	------	------	------	------	------	------	------	------	------

U007.PCDU

U007 S001
D2392227
(EU/CHN/AA/KOR/TWN):PCD
U:K

U007 S005
D2392227
(EU/CHN/AA/KOR/TWN):PCD
U:K

U007 S006
D2392227
(EU/CHN/AA/KOR/TWN):PCD
U:K

U007 S003
D2422219
PCDU:M

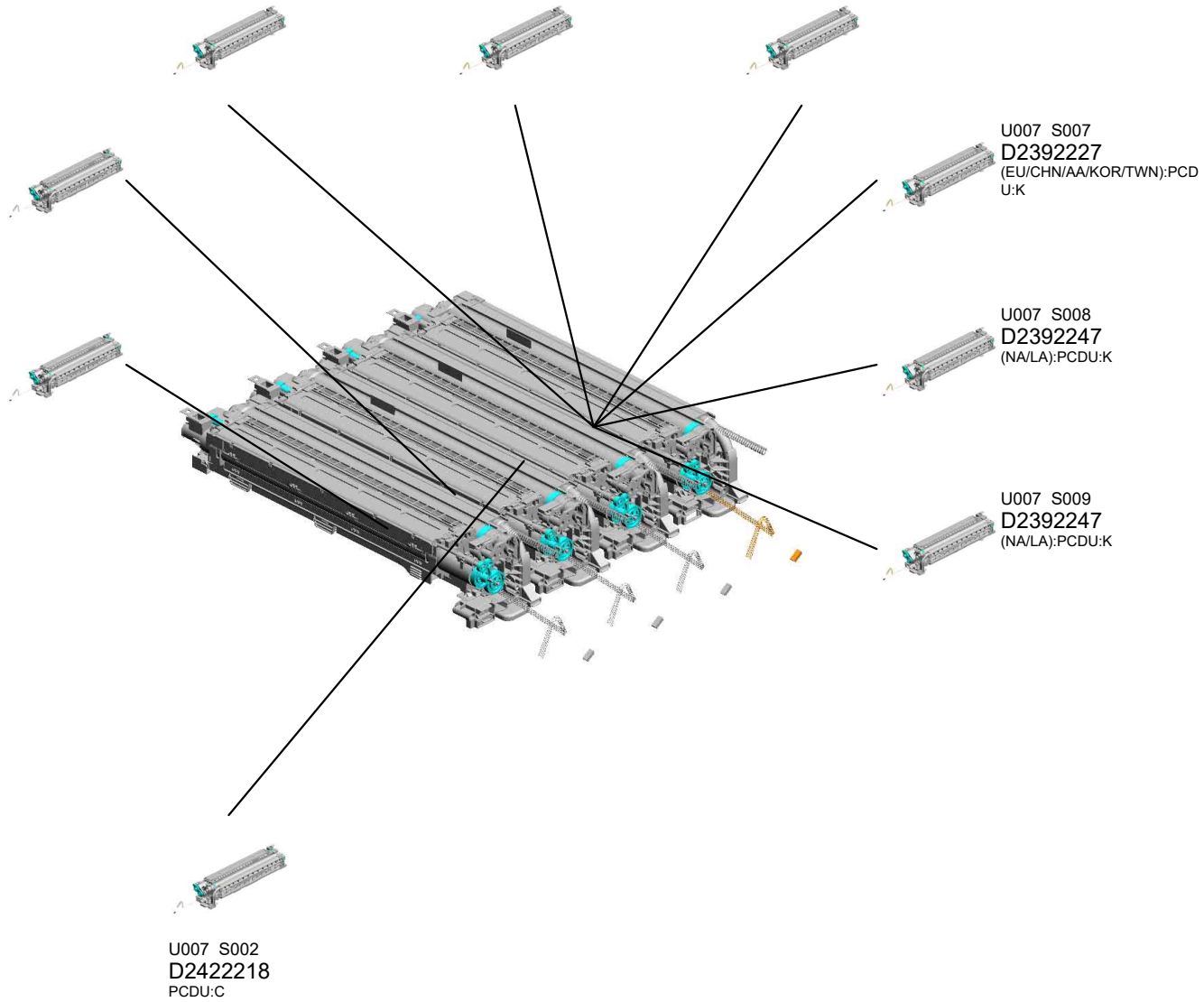
U007 S007
D2392227
(EU/CHN/AA/KOR/TWN):PCD
U:K

U007 S004
D2422220
PCDU:Y

U007 S008
D2392247
(NA/LA):PCDU:K

U007 S009
D2392247
(NA/LA):PCDU:K

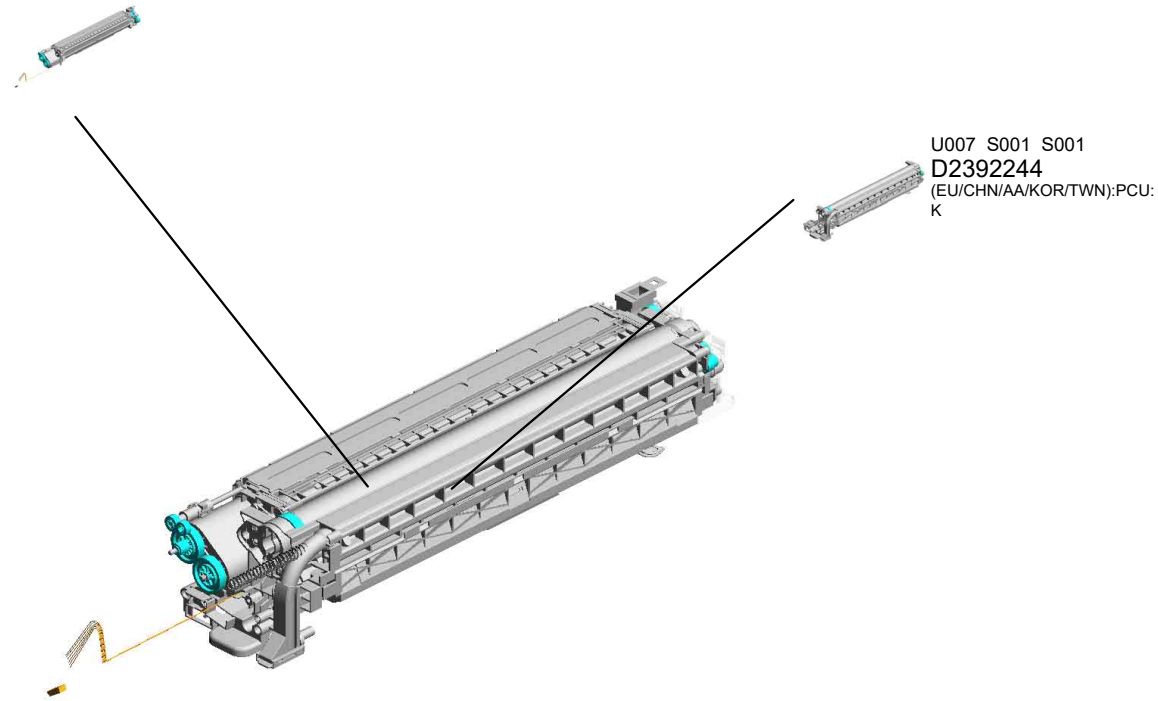
U007 S002
D2422218
PCDU:C



U001	U002	U003	U004	U005	U006	U007	U008	U009	U010	U011	U012	U013	U014	U015	U016	U017	U018
------	------	------	------	------	------	-------------	------	------	------	------	------	------	------	------	------	------	------

U007_S001.(EU/CHN/AA/KOR/TWN):PCDU:K

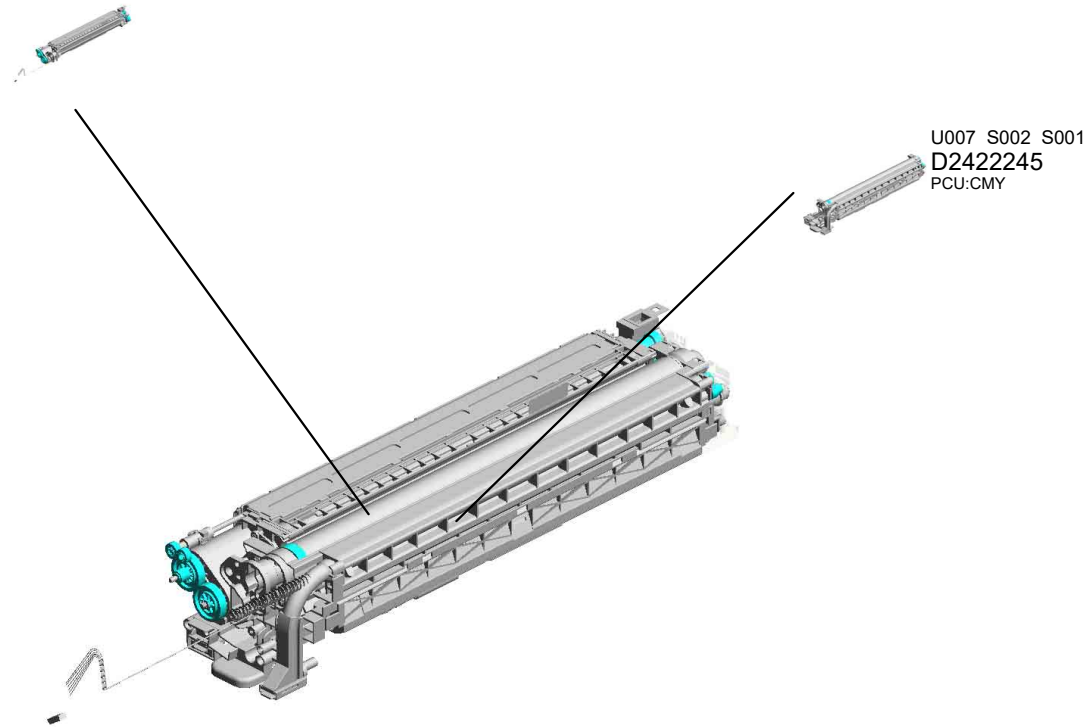
U007 S001 S002
D2423091
(EU/CHN/AA/KOR/TWN):DEV
ELOPMENT UNIT:K



U001	U002	U003	U004	U005	U006	U007	U008	U009	U010	U011	U012	U013	U014	U015	U016	U017	U018
------	------	------	------	------	------	------	------	------	------	------	------	------	------	------	------	------	------

U007_S002.PCDU:C

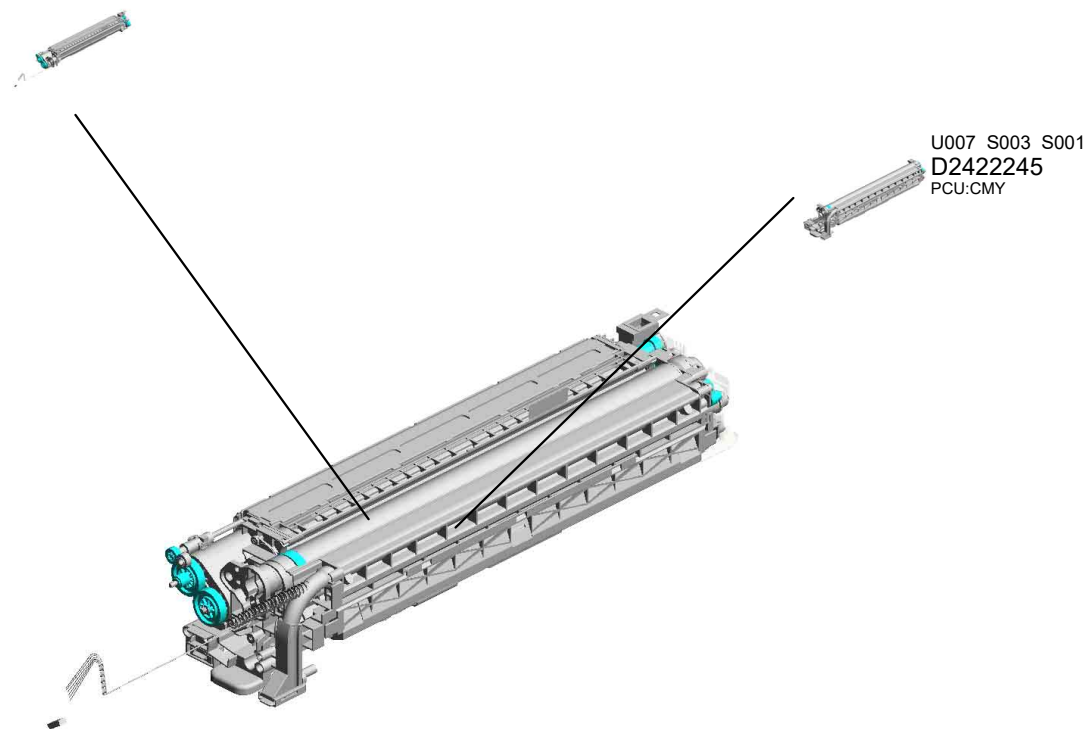
U007 S002 S002
D2423092
DEVELOPMENT UNIT:C



U001	U002	U003	U004	U005	U006	U007	U008	U009	U010	U011	U012	U013	U014	U015	U016	U017	U018
------	------	------	------	------	------	------	------	------	------	------	------	------	------	------	------	------	------

U007_S003.PCDU:M

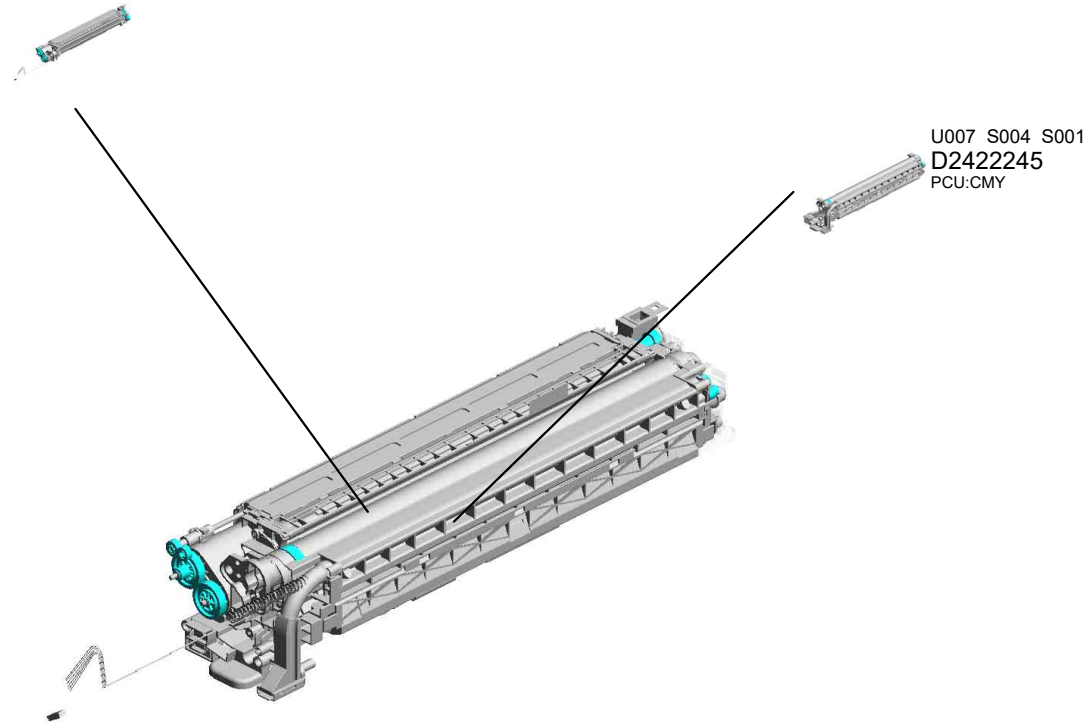
U007 S003 S002
D2423093
DEVELOPMENT UNIT:M



U001	U002	U003	U004	U005	U006	U007	U008	U009	U010	U011	U012	U013	U014	U015	U016	U017	U018
------	------	------	------	------	------	------	------	------	------	------	------	------	------	------	------	------	------

U007_S004.PCDU:Y

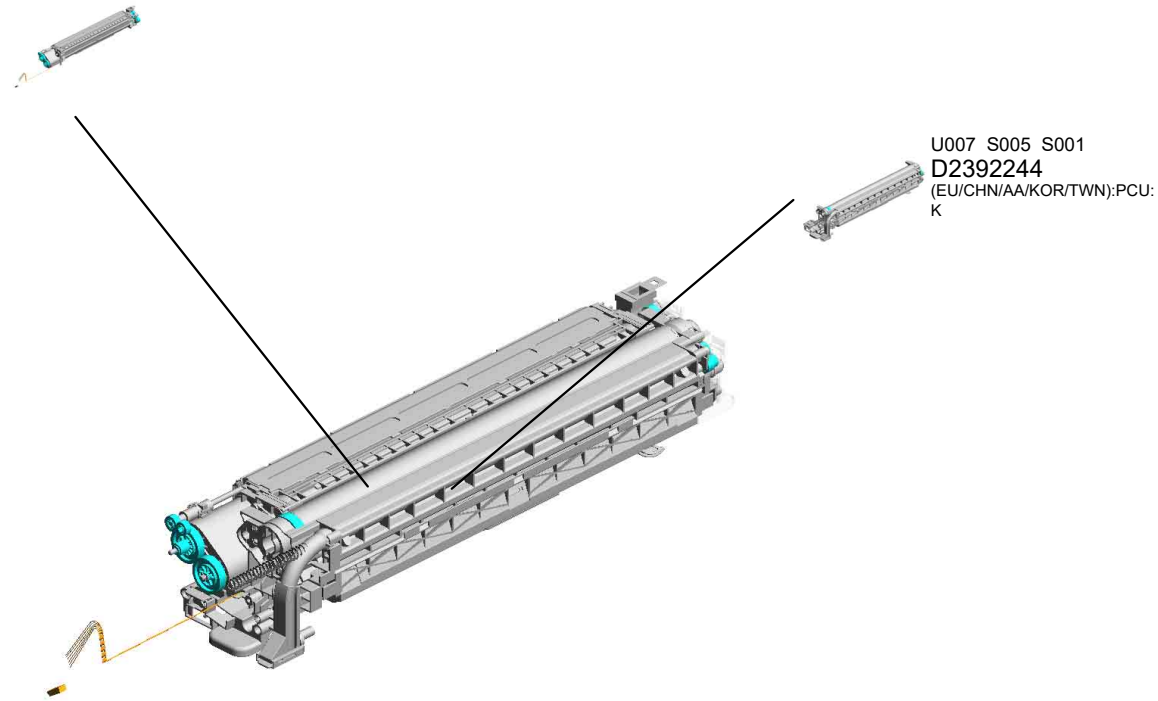
U007 S004 S002
D2423094
DEVELOPMENT UNIT:Y



U001	U002	U003	U004	U005	U006	U007	U008	U009	U010	U011	U012	U013	U014	U015	U016	U017	U018
------	------	------	------	------	------	------	------	------	------	------	------	------	------	------	------	------	------

U007_S005.(EU/CHN/AA/KOR/TWN):PCDU:K

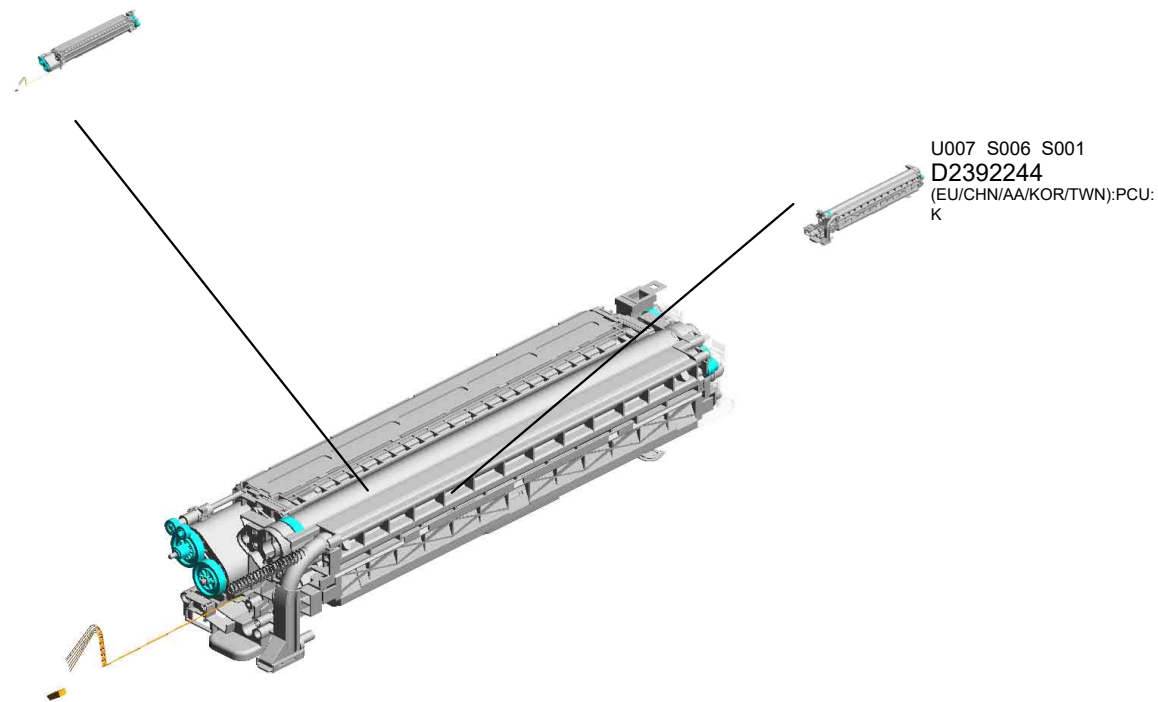
U007 S005 S002
D2423091
(EU/CHN/AA/KOR/TWN):DEV
ELOPMENT UNIT:K



U001	U002	U003	U004	U005	U006	U007	U008	U009	U010	U011	U012	U013	U014	U015	U016	U017	U018
------	------	------	------	------	------	------	------	------	------	------	------	------	------	------	------	------	------

U007_S006.(EU/CHN/AA/KOR/TWN):PCDU:K

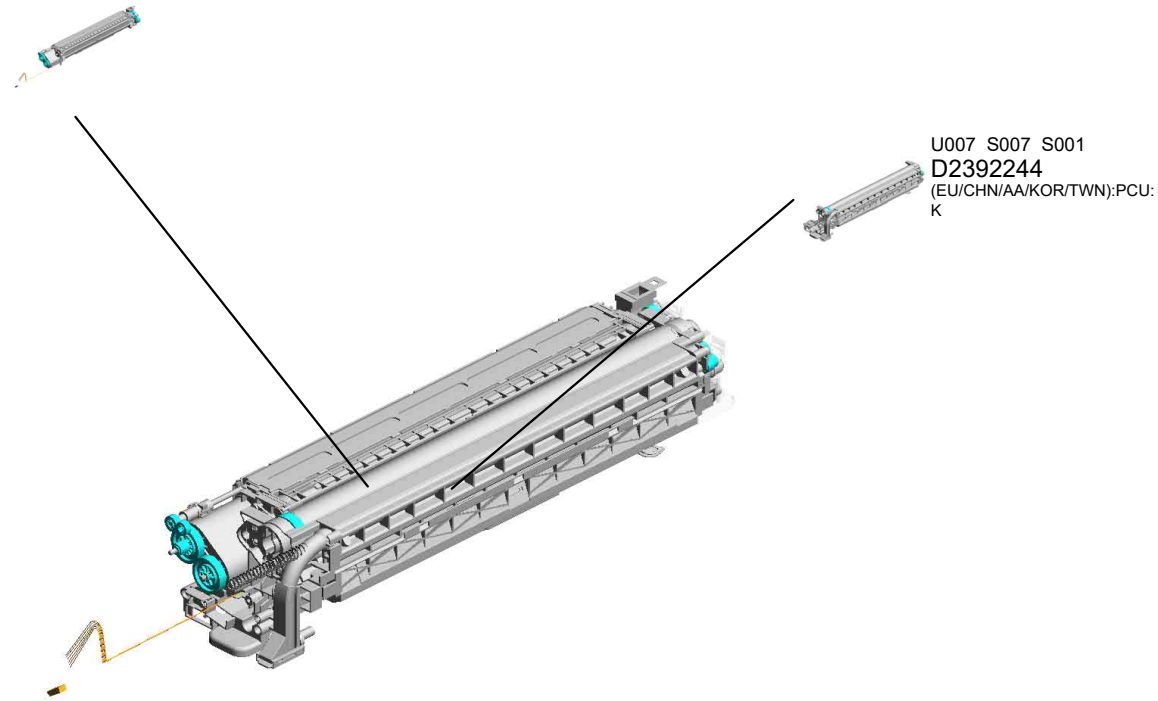
U007 S006 S002
D2423091
(EU/CHN/AA/KOR/TWN):DEV
ELOPMENT UNIT:K



U001	U002	U003	U004	U005	U006	U007	U008	U009	U010	U011	U012	U013	U014	U015	U016	U017	U018
------	------	------	------	------	------	------	------	------	------	------	------	------	------	------	------	------	------

U007_S007.(EU/CHN/AA/KOR/TWN):PCDU:K

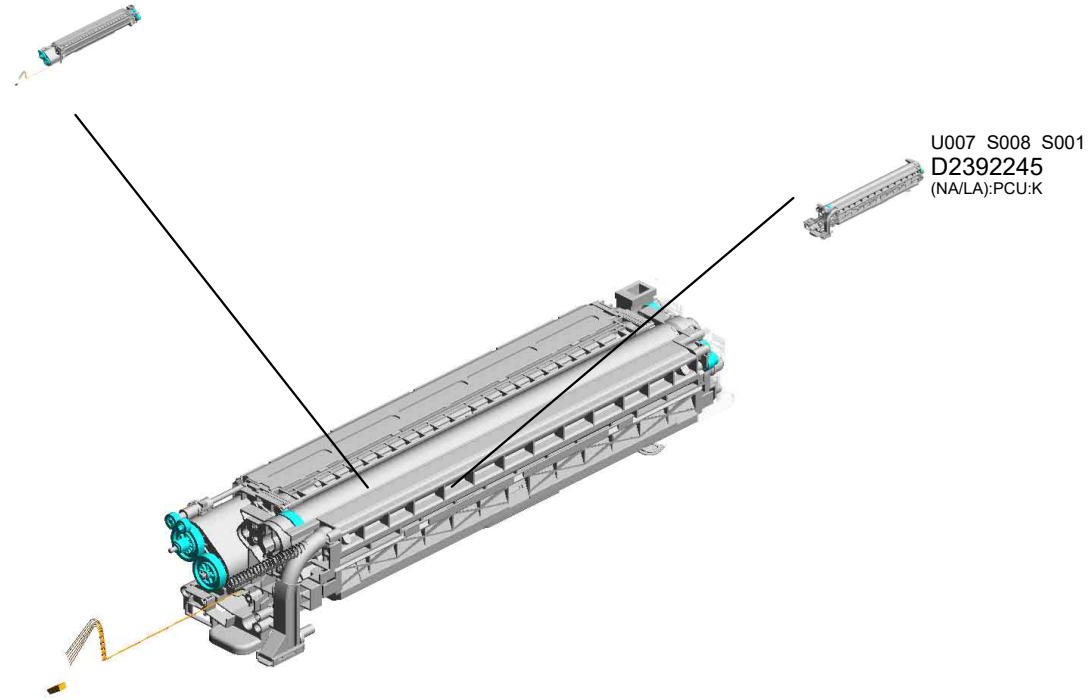
U007 S007 S002
D2423091
(EU/CHN/AA/KOR/TWN):DEV
ELOPMENT UNIT:K



U001	U002	U003	U004	U005	U006	U007	U008	U009	U010	U011	U012	U013	U014	U015	U016	U017	U018
------	------	------	------	------	------	------	------	------	------	------	------	------	------	------	------	------	------

U007_S008.(NA/LA):PCDU:K

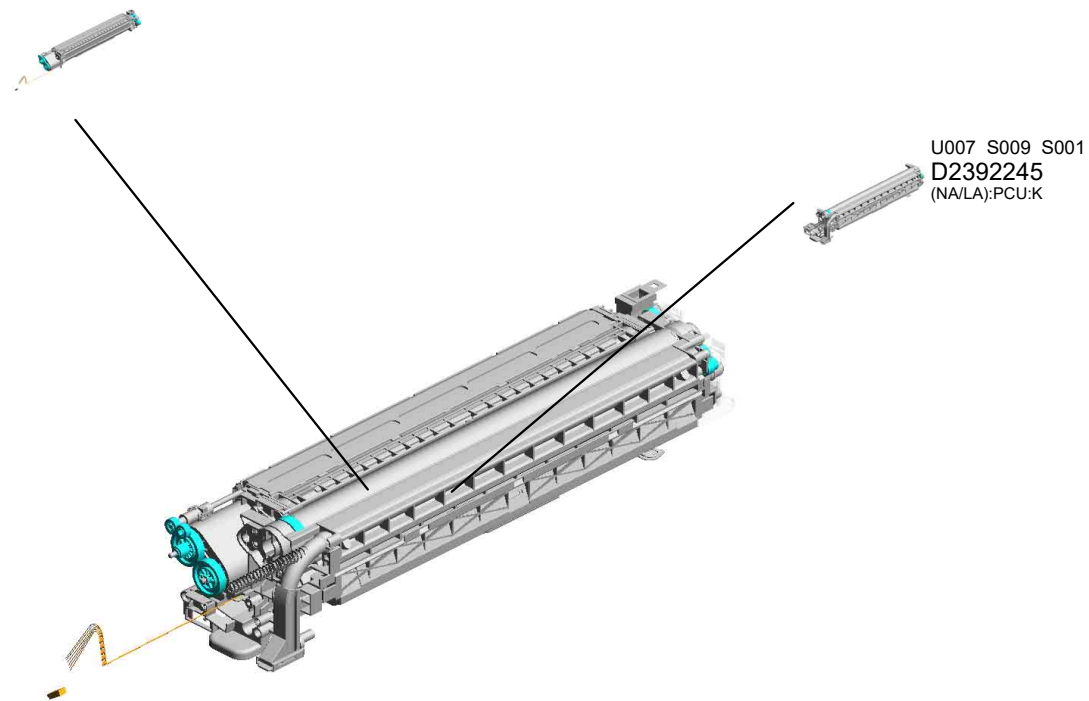
U007 S008 S002
D2423096
(NA/LA):DEVELOPMENT UNI
T:K



U001	U002	U003	U004	U005	U006	U007	U008	U009	U010	U011	U012	U013	U014	U015	U016	U017	U018
------	------	------	------	------	------	------	------	------	------	------	------	------	------	------	------	------	------

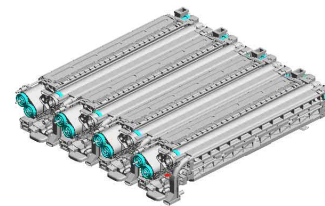
U007_S009.(NA/LA):PCDU:K

U007 S009 S002
D2423096
(NA/LA):DEVELOPMENT UNI
T:K



U001	U002	U003	U004	U005	U006	U007	U008	U009	U010	U011	U012	U013	U014	U015	U016	U017	U018
------	------	------	------	------	------	------	------	------	------	------	------	------	------	------	------	------	------

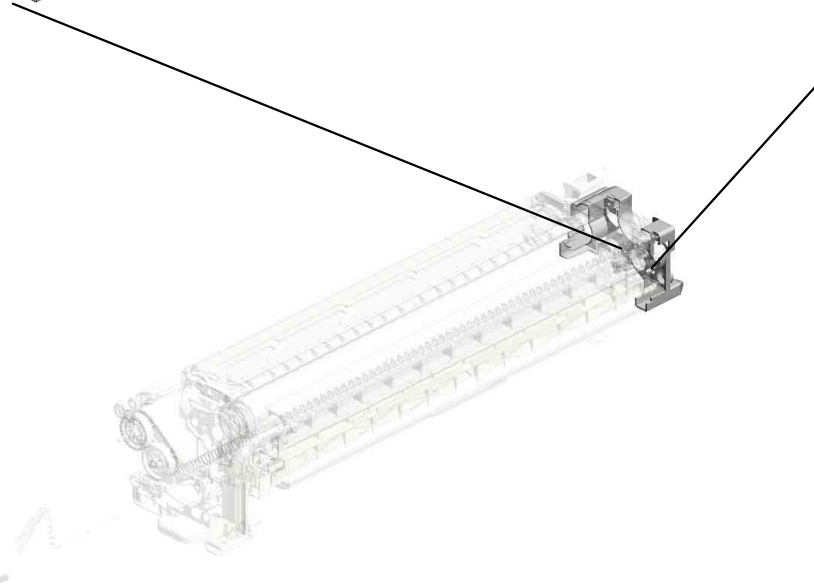
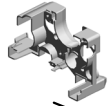
U007
PCDU



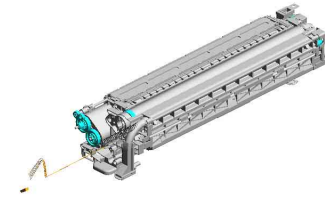
U001	U002	U003	U004	U005	U006	U007	U008	U009	U010	U011	U012	U013	U014	U015	U016	U017	U018
------	------	------	------	------	------	------	------	------	------	------	------	------	------	------	------	------	------

U007_S001
(EU/CHN/AA/KOR/TWN):PCDU:K

22.D0BQ2379
DUCT:GEAR:DEVE
LOPMENT:SUB-AS
S'Y
201907-07 O/O



1.04593010N
BINDING HEAD TA
PPING SCREW:3X
10



44.D2392227
[A]
(EU/CHN/AA/KOR/T
WN):PCDU:K
201907-03 O/O

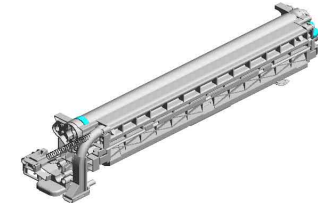
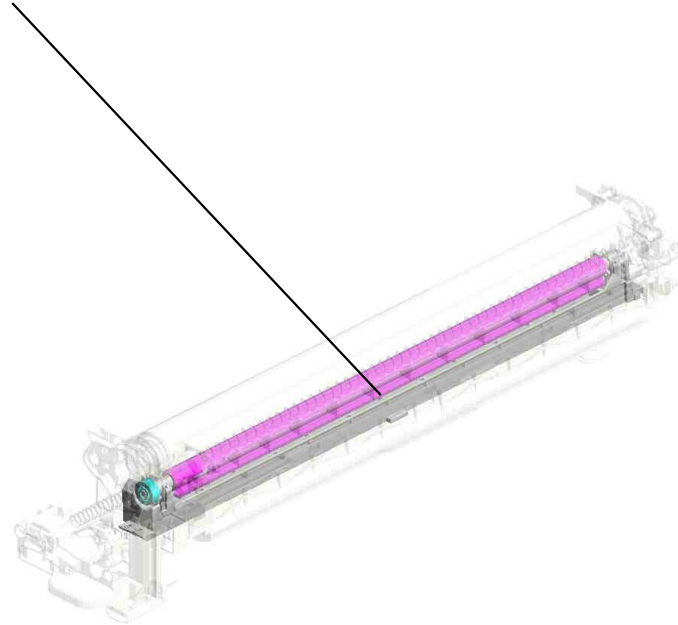


D2392226
[A]
PCDU:K
201907-03 O/O

U001	U002	U003	U004	U005	U006	U007	U008	U009	U010	U011	U012	U013	U014	U015	U016	U017	U018
------	------	------	------	------	------	------	------	------	------	------	------	------	------	------	------	------	------

U007_S001_S001
(EU/CHN/AA/KOR/TWN):PCU:K

45.D0BQ2071
CHARGE UNIT:ASS
Y
201911-01 O/O



37.D2392244
[A]
(EU/CHN/AA/KOR/T
WN):PCU:K
201906-02 O/O

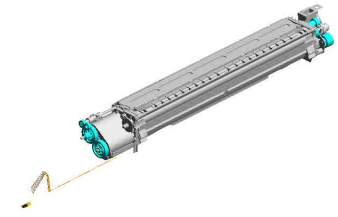


D2392243
[A]
PCU:K
201906-02 O/O

U001	U002	U003	U004	U005	U006	U007	U008	U009	U010	U011	U012	U013	U014	U015	U016	U017	U018
------	------	------	------	------	------	------	------	------	------	------	------	------	------	------	------	------	------

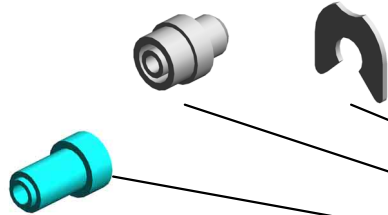
U007_S001_S002
 (EU/CHN/AA/KOR/TWN):DEVELOPMENT UNIT:K

41.D1493073 16.08050100
 JOINT:DEVELOPM ENT RETAINING RING - M2.5

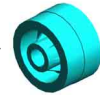


29.D2423091
 [A]
 (EU/CHN/AA/KOR/TWN):DEVELOPMENT UNIT:K
 201907-04 O/O

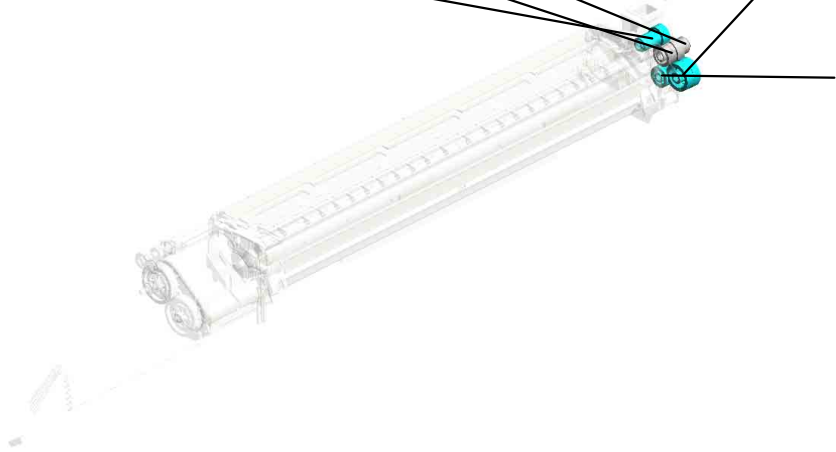
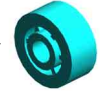
43.D1493075
 GEAR:IDLER:DEVELOPMENT ROLLER



42.D1493074
 GEAR:IDLER:TRANSPORT SCREW



50.D2423072
 GEAR:TRANSPORT SCREW:REAR

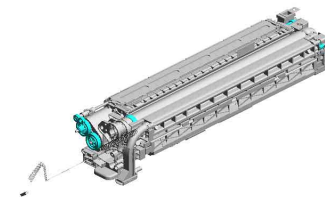
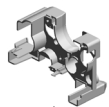


D2423085
 [A]
 DEVELOPMENT UNIT:K
 201907-04 O/O

U001	U002	U003	U004	U005	U006	U007	U008	U009	U010	U011	U012	U013	U014	U015	U016	U017	U018
------	------	------	------	------	------	------	------	------	------	------	------	------	------	------	------	------	------

U007_S002
PCDU:C

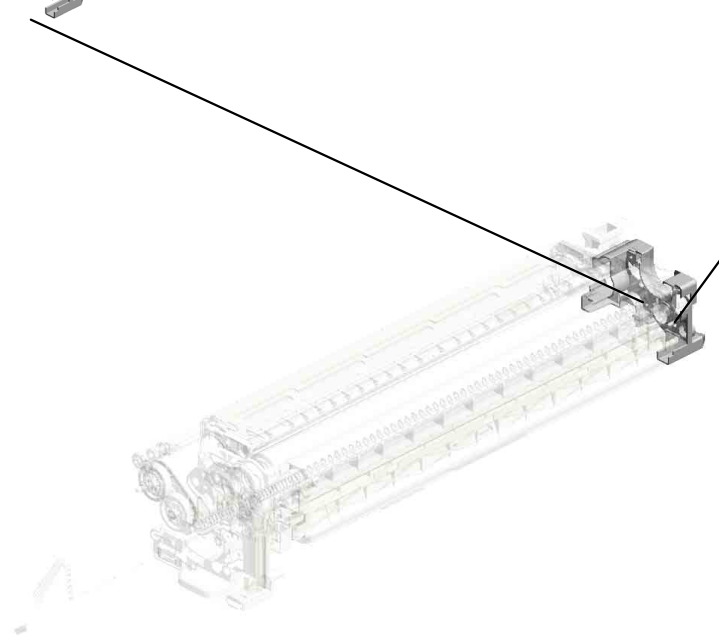
22.D0BQ2379
DUCT:GEAR:DEVE
LOPMENT:SUB-AS
S'Y
201907-07 O/O



38.D2422218
[A]
PCDU:C
201910-01 O/O



1.04593010N
BINDING HEAD TA
PPING SCREW:3X
10

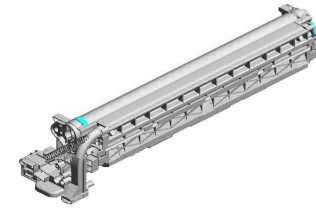
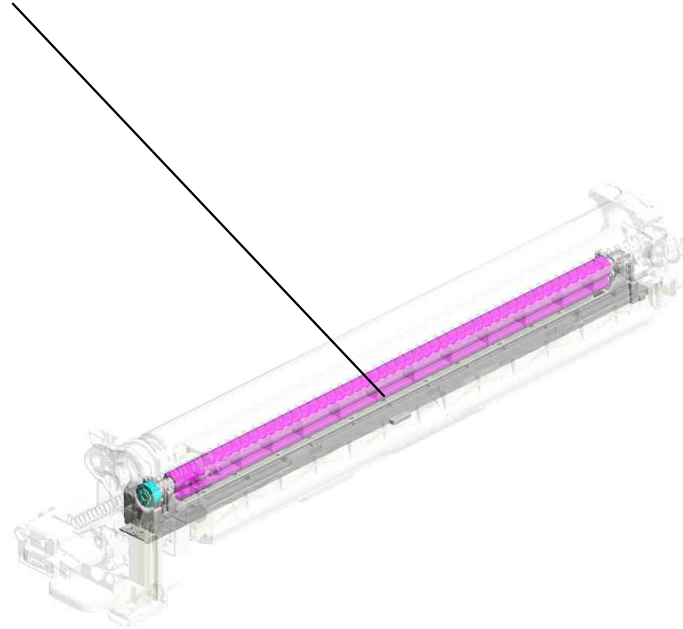


D2422278
[A]
PCDU:C
201910-01 O/O

U001	U002	U003	U004	U005	U006	U007	U008	U009	U010	U011	U012	U013	U014	U015	U016	U017	U018
------	------	------	------	------	------	------	------	------	------	------	------	------	------	------	------	------	------

U007_S002_S001
PCU:CMY

45.D0BQ2071
CHARGE UNIT:ASS
Y
201911-01 O/O



34.D2422245
[A]
PCU:CMY
201907-02 O/O

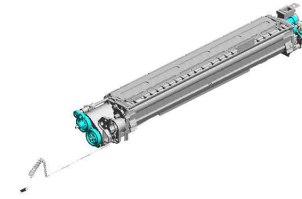


D2422244
[A]
PCU:CMY
201907-02 O/O

U001	U002	U003	U004	U005	U006	U007	U008	U009	U010	U011	U012	U013	U014	U015	U016	U017	U018
------	------	------	------	------	------	------	------	------	------	------	------	------	------	------	------	------	------

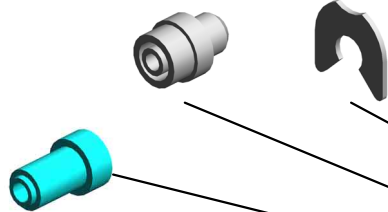
U007_S002_S002
DEVELOPMENT UNIT:C

41.D1493073 16.08050100
JOINT:DEVELOPM RETAINING RING -
ENT M2.5

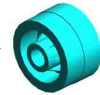


31.D2423092
[A]
DEVELOPMENT UN
IT:C
201908-04 O/O

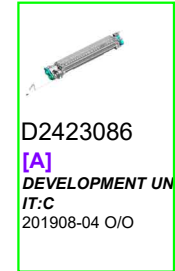
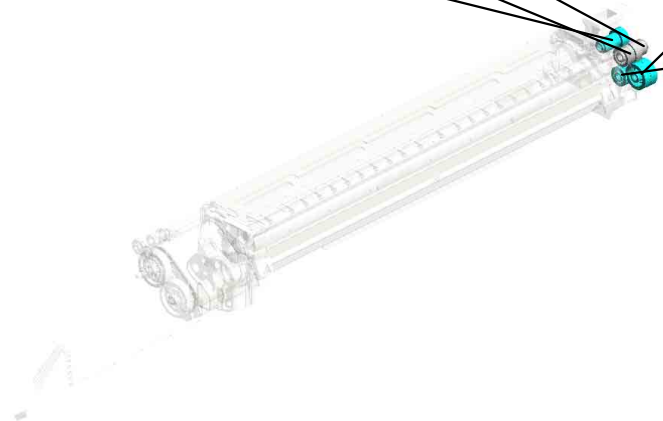
43.D1493075
GEAR:IDLER:DEVE
LOPMENT ROLLER



42.D1493074
GEAR:IDLER:TRAN
SPORT SCREW



50.D2423072
GEAR:TRANSPOR
T SCREW:REAR

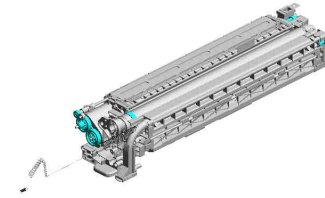
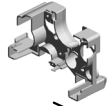


D2423086
[A]
DEVELOPMENT UN
IT:C
201908-04 O/O

U001	U002	U003	U004	U005	U006	U007	U008	U009	U010	U011	U012	U013	U014	U015	U016	U017	U018
------	------	------	------	------	------	------	------	------	------	------	------	------	------	------	------	------	------

U007_S003
PCDU:M

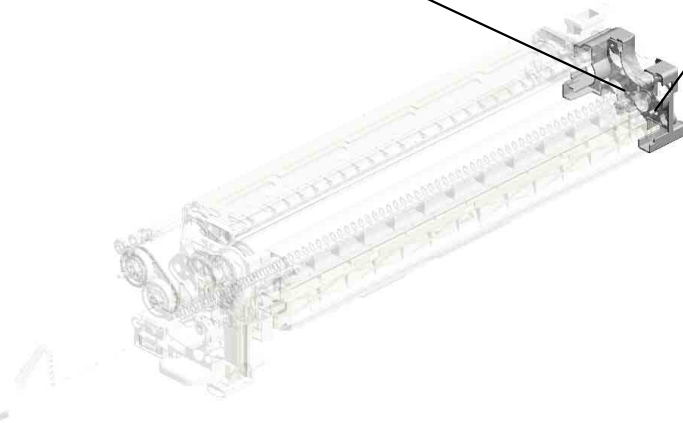
22.D0BQ2379
DUCT:GEAR:DEVE
LOPMENT:SUB-AS
S'Y
201907-07 O/O



35.D2422219
[A]
PCDU:M
201910-02 O/O



1.04593010N
BINDING HEAD TA
PPING SCREW:3X
10

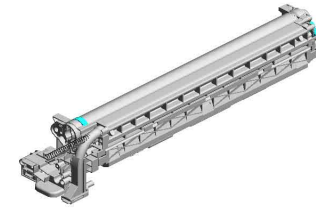
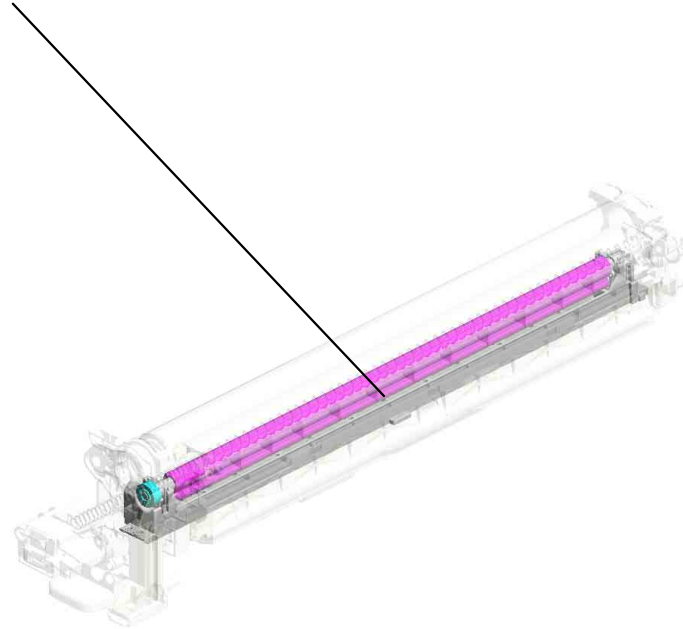


D2422279
[A]
PCDU:M
201910-02 O/O

U001	U002	U003	U004	U005	U006	U007	U008	U009	U010	U011	U012	U013	U014	U015	U016	U017	U018
------	------	------	------	------	------	------	------	------	------	------	------	------	------	------	------	------	------

U007_S003_S001
PCU:CMY

45.D0BQ2071
CHARGE UNIT:ASS
Y
201911-01 O/O



34.D2422245
[A]
PCU:CMY
201907-02 O/O

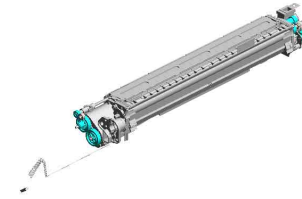


D2422244
[A]
PCU:CMY
201907-02 O/O

U001	U002	U003	U004	U005	U006	U007	U008	U009	U010	U011	U012	U013	U014	U015	U016	U017	U018
------	------	------	------	------	------	------	------	------	------	------	------	------	------	------	------	------	------

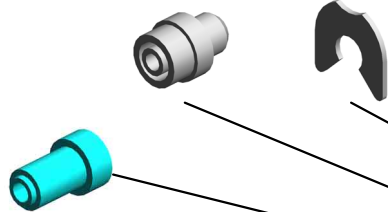
U007_S003_S002
DEVELOPMENT UNIT:M

41.D1493073 16.08050100
JOINT:DEVELOPM RETAINING RING -
ENT M2.5

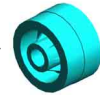


32.D2423093
[A]
DEVELOPMENT UN
IT:M
201908-05 O/O

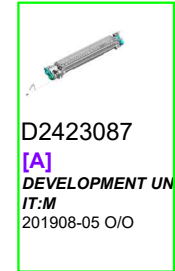
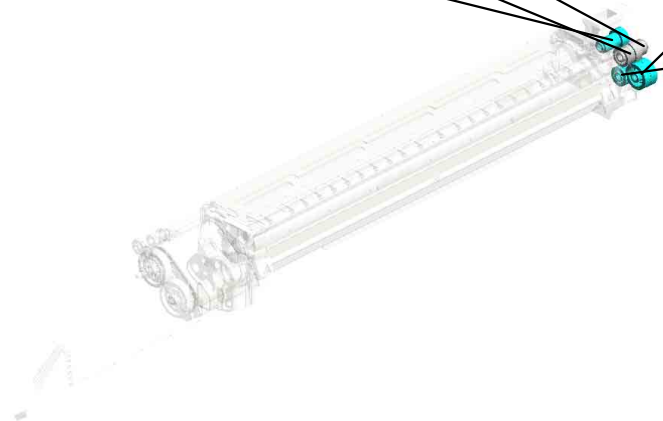
43.D1493075
GEAR:IDLER:DEVE
LOPMENT ROLLER



42.D1493074
GEAR:IDLER:TRAN
SPORT SCREW



50.D2423072
GEAR:TRANSPOR
T SCREW:REAR

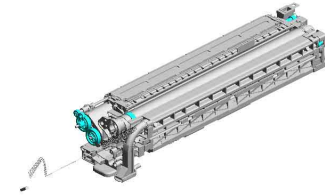
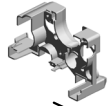


D2423087
[A]
DEVELOPMENT UN
IT:M
201908-05 O/O

U001	U002	U003	U004	U005	U006	U007	U008	U009	U010	U011	U012	U013	U014	U015	U016	U017	U018
------	------	------	------	------	------	------	------	------	------	------	------	------	------	------	------	------	------

U007_S004
PCDU:Y

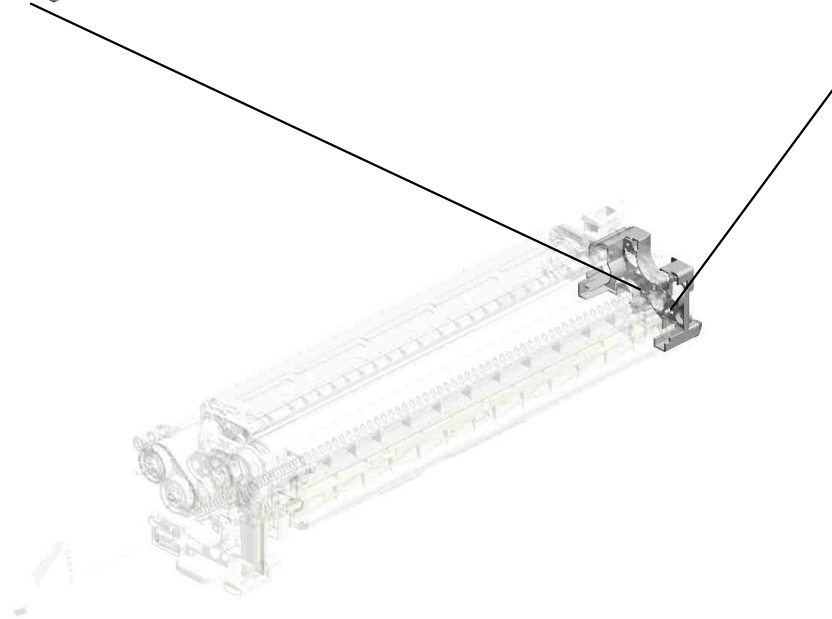
22.D0BQ2379
DUCT:GEAR:DEVE
LOPMENT:SUB-AS
S'Y
201907-07 O/O



40.D2422220
[A]
PCDU:Y
201908-03 O/O



1.04593010N
BINDING HEAD TA
PPING SCREW:3X
10

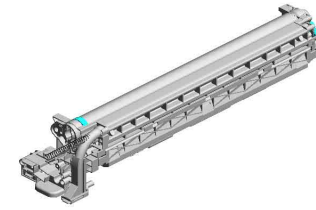
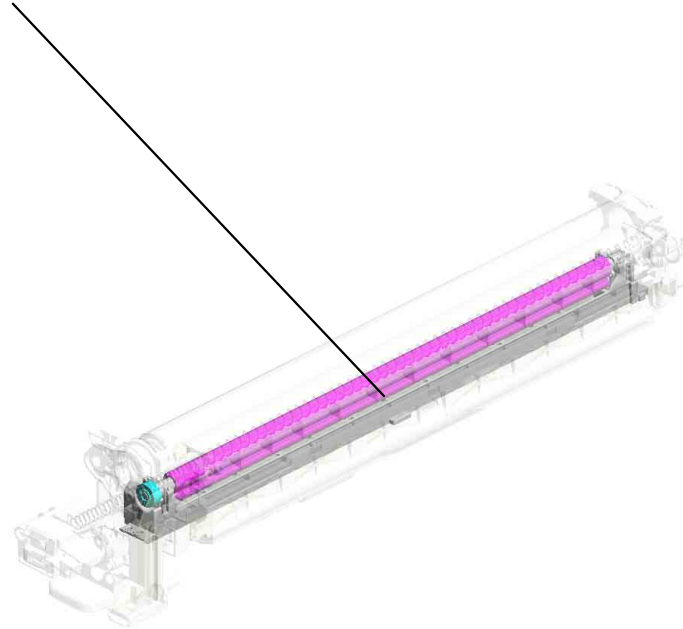


D2422280
[A]
PCDU:Y
201908-03 O/O

U001	U002	U003	U004	U005	U006	U007	U008	U009	U010	U011	U012	U013	U014	U015	U016	U017	U018
------	------	------	------	------	------	------	------	------	------	------	------	------	------	------	------	------	------

U007_S004_S001
PCU:CMY

45.D0BQ2071
CHARGE UNIT:ASS
Y
201911-01 O/O



34.D2422245
[A]
PCU:CMY
201907-02 O/O

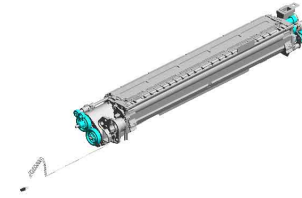


D2422244
[A]
PCU:CMY
201907-02 O/O

U001	U002	U003	U004	U005	U006	U007	U008	U009	U010	U011	U012	U013	U014	U015	U016	U017	U018
------	------	------	------	------	------	------	------	------	------	------	------	------	------	------	------	------	------

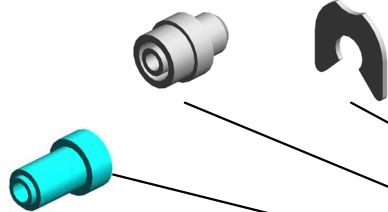
U007_S004_S002
DEVELOPMENT UNIT:Y

41.D1493073 16.08050100
JOINT:DEVELOPM RETAINING RING -
ENT M2.5

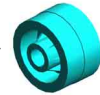


33.D2423094
[A]
DEVELOPMENT UN
IT:Y
201908-06 O/O

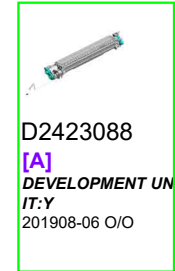
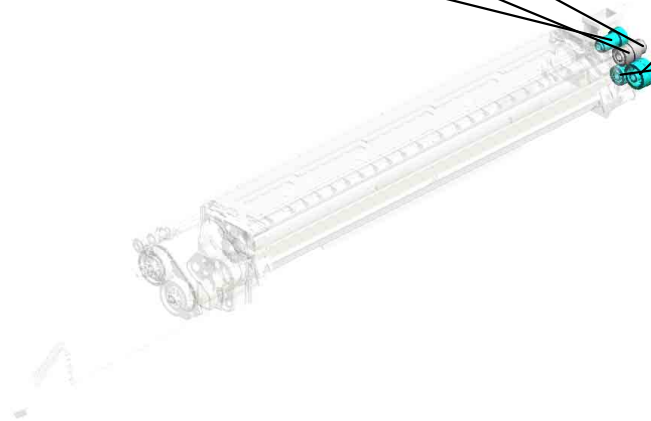
43.D1493075
GEAR:IDLER:DEVE
LOPMENT ROLLER



42.D1493074
GEAR:IDLER:TRAN
SPORT SCREW



50.D2423072
GEAR:TRANSPOR
T SCREW:REAR

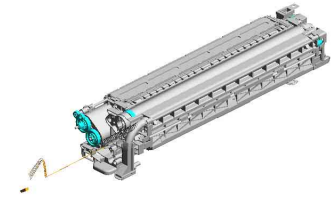


D2423088
[A]
DEVELOPMENT UN
IT:Y
201908-06 O/O

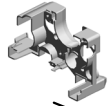
U001	U002	U003	U004	U005	U006	U007	U008	U009	U010	U011	U012	U013	U014	U015	U016	U017	U018
------	------	------	------	------	------	------	------	------	------	------	------	------	------	------	------	------	------

U007_S005
(EU/CHN/AA/KOR/TWN):PCDU:K

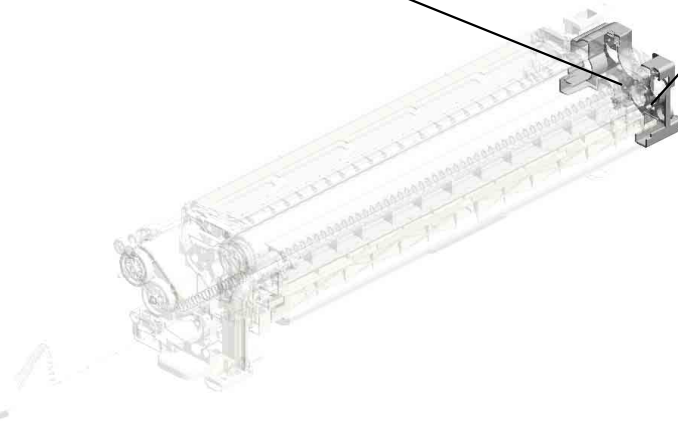
22.D0BQ2379
DUCT:GEAR.DEVE
LOPMENT:SUB-AS
S'Y



44.D2392227
(EU/CHN/AA/KOR/T
WN):PCDU:K



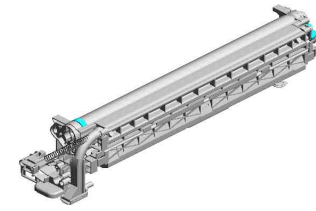
1.04593010N
BINDING HEAD TA
PPING SCREW:3X
10



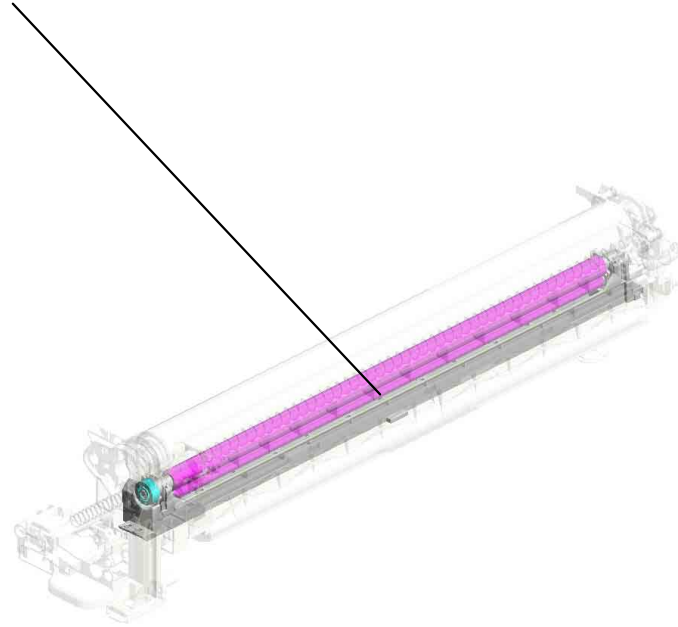
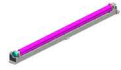
U001	U002	U003	U004	U005	U006	U007	U008	U009	U010	U011	U012	U013	U014	U015	U016	U017	U018
------	------	------	------	------	------	------	------	------	------	------	------	------	------	------	------	------	------

U007_S005_S001
(EU/CHN/AA/KOR/TWN):PCU:K

45.D0BQ2071
CHARGE UNIT:ASS
Y



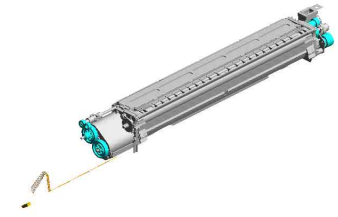
37.D2392244
(EU/CHN/AA/KOR/T
WN):PCU:K



U001	U002	U003	U004	U005	U006	U007	U008	U009	U010	U011	U012	U013	U014	U015	U016	U017	U018
------	------	------	------	------	------	------	------	------	------	------	------	------	------	------	------	------	------

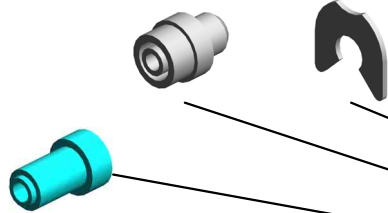
U007_S005_S002
 (EU/CHN/AA/KOR/TWN):DEVELOPMENT UNIT:K

41.D1493073 16.08050100
 JOINT:DEVELOPM RETAINING RING -
 ENT M2.5

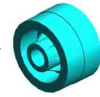


29.D2423091
 (EU/CHN/AA/KOR/T
 WN):DEVELOPMEN
 T UNIT:K

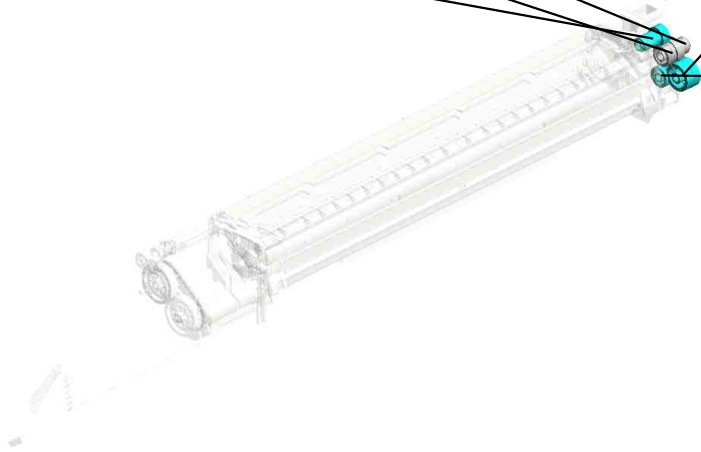
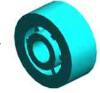
43.D1493075
 GEAR:IDLER:DEVE
 LOPMENT ROLLER



42.D1493074
 GEAR:IDLER:TRAN
 SPORT SCREW



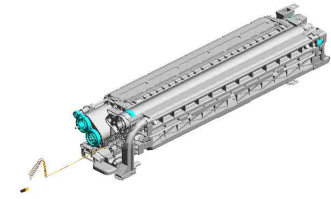
50.D2423072
 GEAR:TRANSPOR
 T SCREW:REAR



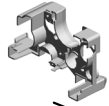
U001	U002	U003	U004	U005	U006	U007	U008	U009	U010	U011	U012	U013	U014	U015	U016	U017	U018
------	------	------	------	------	------	------	------	------	------	------	------	------	------	------	------	------	------

U007_S006
(EU/CHN/AA/KOR/TWN):PCDU:K

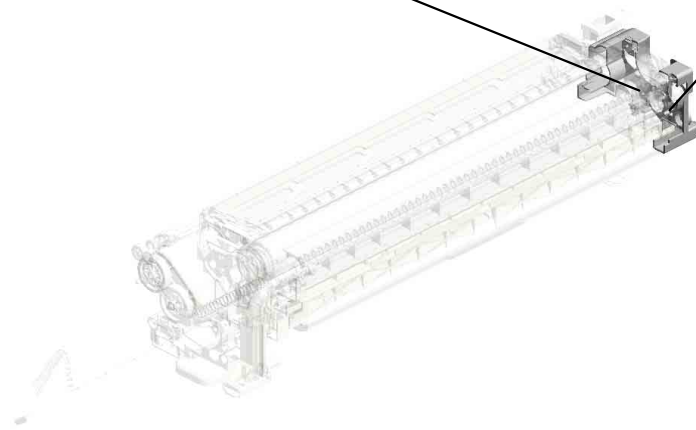
22.D0BQ2379
DUCT:GEAR:DEVE
LOPMENT:SUB-AS
S'Y



44.D2392227
(EU/CHN/AA/KOR/T
WN):PCDU:K



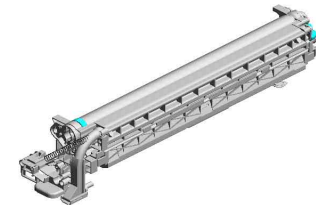
1.04593010N
BINDING HEAD TA
PPING SCREW:3X
10



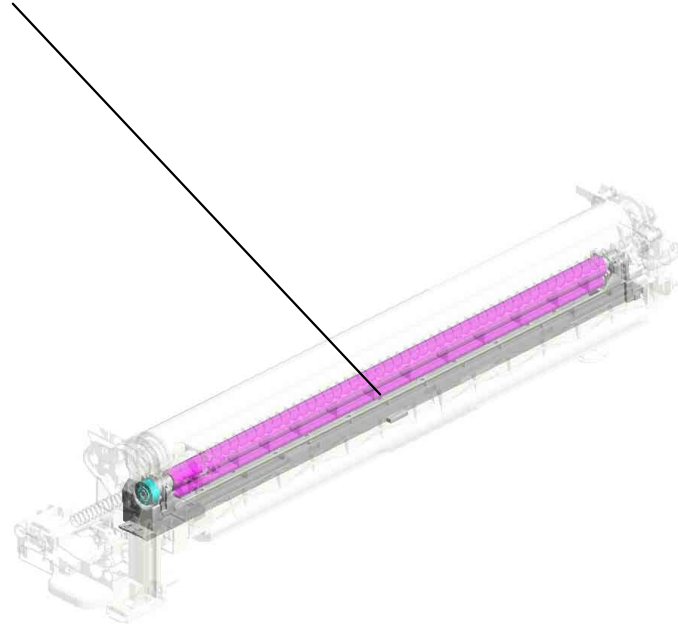
U001	U002	U003	U004	U005	U006	U007	U008	U009	U010	U011	U012	U013	U014	U015	U016	U017	U018
------	------	------	------	------	------	------	------	------	------	------	------	------	------	------	------	------	------

U007_S006_S001
(EU/CHN/AA/KOR/TWN):PCU:K

45.D0BQ2071
CHARGE UNIT:ASS
Y



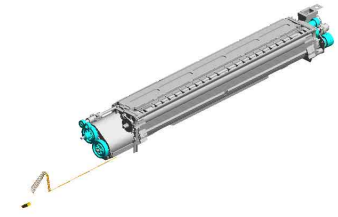
37.D2392244
(EU/CHN/AA/KOR/T
WN):PCU:K



U001	U002	U003	U004	U005	U006	U007	U008	U009	U010	U011	U012	U013	U014	U015	U016	U017	U018
------	------	------	------	------	------	------	------	------	------	------	------	------	------	------	------	------	------

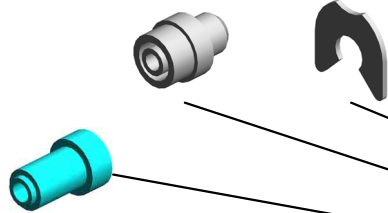
U007_S006_S002
 (EU/CHN/AA/KOR/TWN):DEVELOPMENT UNIT:K

41.D1493073 16.08050100
 JOINT:DEVELOPMENT RETAINING RING -
 ENT M2.5



29.D2423091
 (EU/CHN/AA/KOR/T
 WN):DEVELOPMENT
 UNIT:K

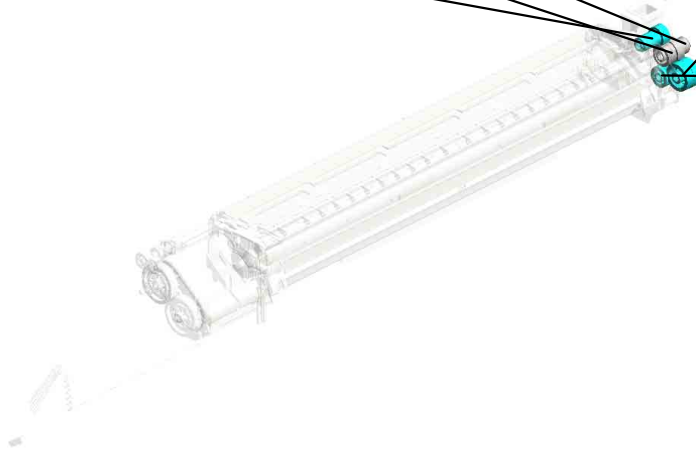
43.D1493075
 GEAR:IDLER:DEVELOPMENT ROLLER



42.D1493074
 GEAR:IDLER:TRANSPORT SCREW



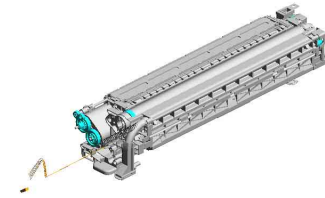
50.D2423072
 GEAR:TRANSPORT SCREW:REAR



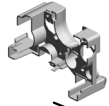
U001	U002	U003	U004	U005	U006	U007	U008	U009	U010	U011	U012	U013	U014	U015	U016	U017	U018
------	------	------	------	------	------	------	------	------	------	------	------	------	------	------	------	------	------

U007_S007
(EU/CHN/AA/KOR/TWN):PCDU:K

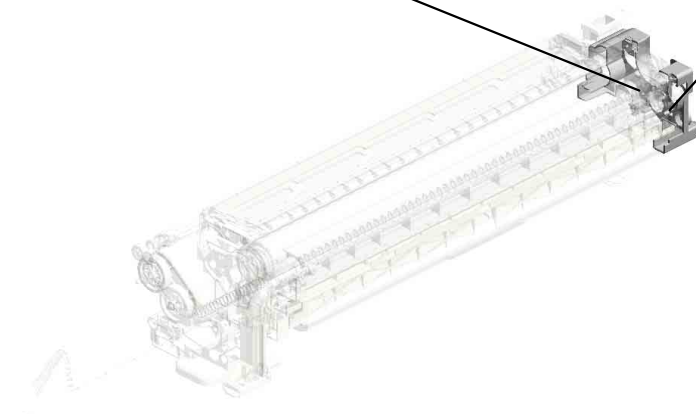
22.D0BQ2379
DUCT:GEAR:DEVE
LOPMENT:SUB-AS
S'Y



44.D2392227
(EU/CHN/AA/KOR/T
WN):PCDU:K



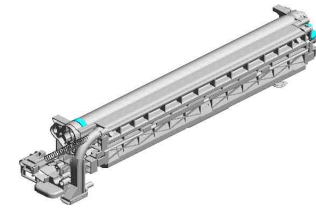
1.04593010N
BINDING HEAD TA
PPING SCREW:3X
10



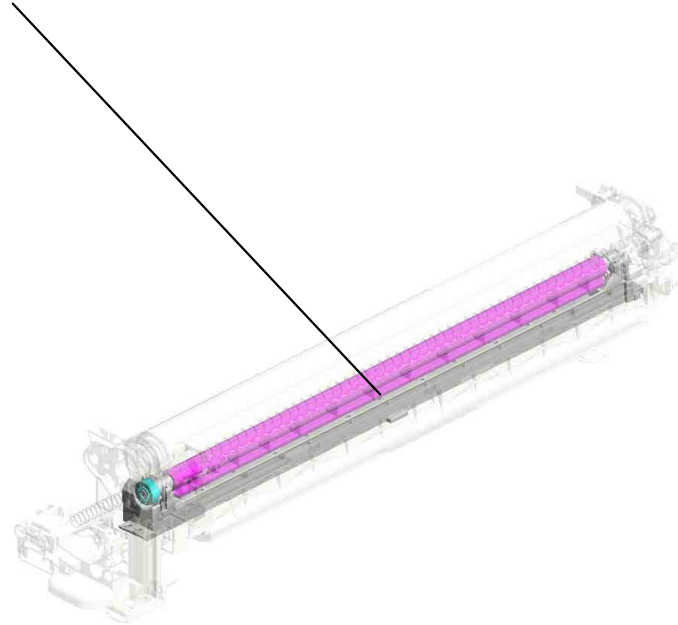
U001	U002	U003	U004	U005	U006	U007	U008	U009	U010	U011	U012	U013	U014	U015	U016	U017	U018
------	------	------	------	------	------	------	------	------	------	------	------	------	------	------	------	------	------

U007_S007_S001
(EU/CHN/AA/KOR/TWN):PCU:K

45.D0BQ2071
CHARGE UNIT:ASS
Y



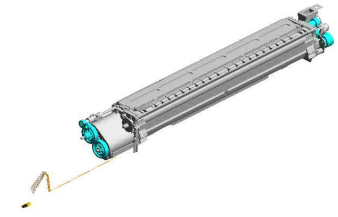
37.D2392244
(EU/CHN/AA/KOR/T
WN):PCU:K



U001	U002	U003	U004	U005	U006	U007	U008	U009	U010	U011	U012	U013	U014	U015	U016	U017	U018
------	------	------	------	------	------	------	------	------	------	------	------	------	------	------	------	------	------

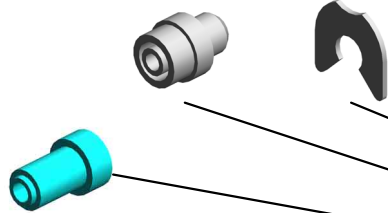
U007_S007_S002
(EU/CHN/AA/KOR/TWN):DEVELOPMENT UNIT:K

41.D1493073 16.08050100
JOINT:DEVELOPM ENT RETAINING RING - M2.5

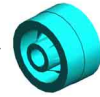


29.D2423091
(EU/CHN/AA/KOR/TWN):DEVELOPMENT UNIT:K

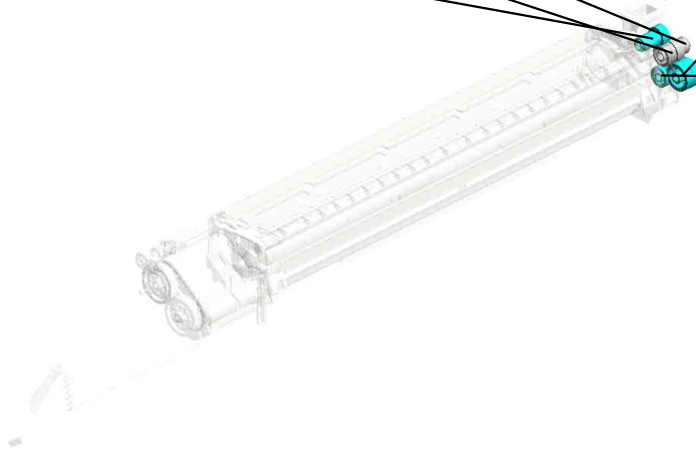
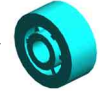
43.D1493075
GEAR:IDLER:DEVELOPMENT ROLLER



42.D1493074
GEAR:IDLER:TRANSPORT SCREW



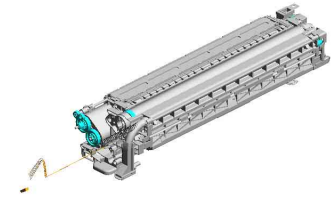
50.D2423072
GEAR:TRANSPORT SCREW:REAR



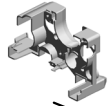
U001	U002	U003	U004	U005	U006	U007	U008	U009	U010	U011	U012	U013	U014	U015	U016	U017	U018
------	------	------	------	------	------	------	------	------	------	------	------	------	------	------	------	------	------

U007_S008
(NA/LA):PCDU:K

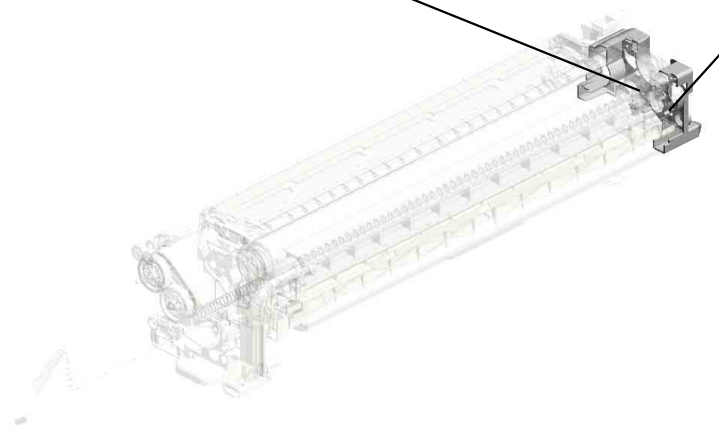
22.D0BQ2379
DUCT:GEAR:DEVE
LOPMENT:SUB-AS
S'Y



47.D2392247
[A]
(NA/LA):PCDU:K
202007-02 O/O



1.04593010N
BINDING HEAD TA
PPING SCREW:3X
10

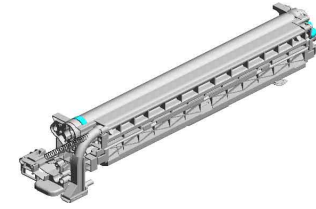
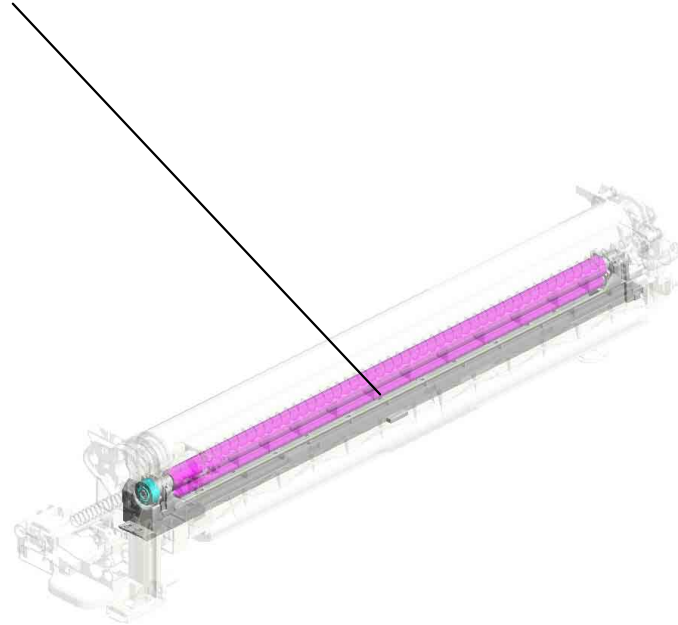
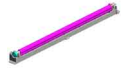


D2392227
[A]
(EU/CHN/AA/KOR/T
WN):PCDU:K
202007-02 O/O

U001	U002	U003	U004	U005	U006	U007	U008	U009	U010	U011	U012	U013	U014	U015	U016	U017	U018
------	------	------	------	------	------	------	------	------	------	------	------	------	------	------	------	------	------

U007_S008_S001
(NA/LA):PCU:K

45.D0BQ2071
CHARGE UNIT:ASS
Y



48.D2392245
[A]
(NA/LA):PCU:K
202008-01 O/O

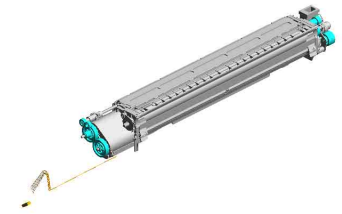


D2392244
[A]
(EU/CHN/AA/KOR/T
WN):PCU:K
202008-01 O/O

U001	U002	U003	U004	U005	U006	U007	U008	U009	U010	U011	U012	U013	U014	U015	U016	U017	U018
------	------	------	------	------	------	------	------	------	------	------	------	------	------	------	------	------	------

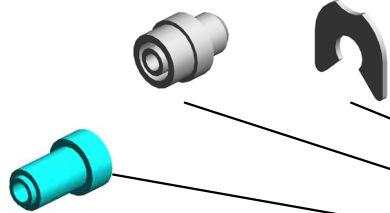
U007_S008_S002
 (NA/LA):DEVELOPMENT UNIT:K

41.D1493073 16.08050100
 JOINT:DEVELOPMENT RETAINING RING -
 ENT M2.5

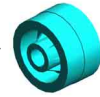


49.D2423096
 [A]
 (NA/LA):DEVELOPMENT UNIT:K
 202008-02 O/O

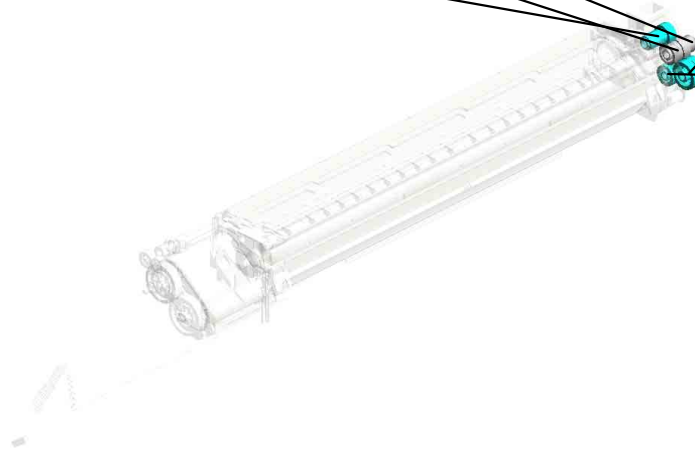
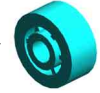
43.D1493075
 GEAR:IDLER:DEVELOPMENT ROLLER



42.D1493074
 GEAR:IDLER:TRANSPORT SCREW



50.D2423072
 GEAR:TRANSPORT SCREW:REAR

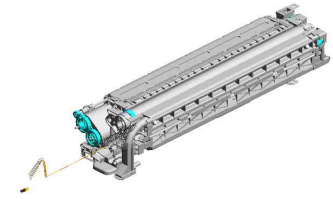


D2423091
 [A]
 (EU/CHN/AA/KOR/TWN):DEVELOPMENT UNIT:K
 202008-02 O/O

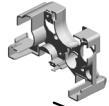
U001	U002	U003	U004	U005	U006	U007	U008	U009	U010	U011	U012	U013	U014	U015	U016	U017	U018
------	------	------	------	------	------	------	------	------	------	------	------	------	------	------	------	------	------

U007_S009
(NA/LA):PCDU:K

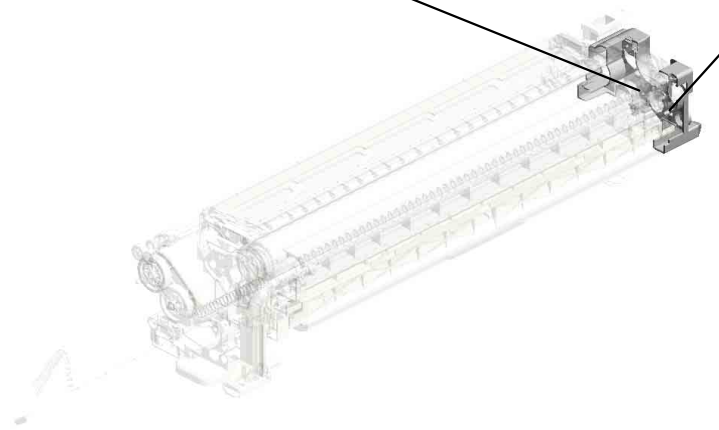
22.D0BQ2379
DUCT:GEAR:DEVE
LOPMENT:SUB-AS
S'Y



47.D2392247
(NA/LA):PCDU:K



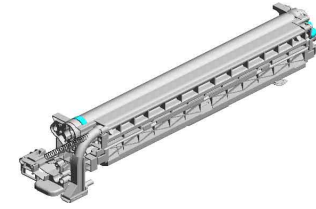
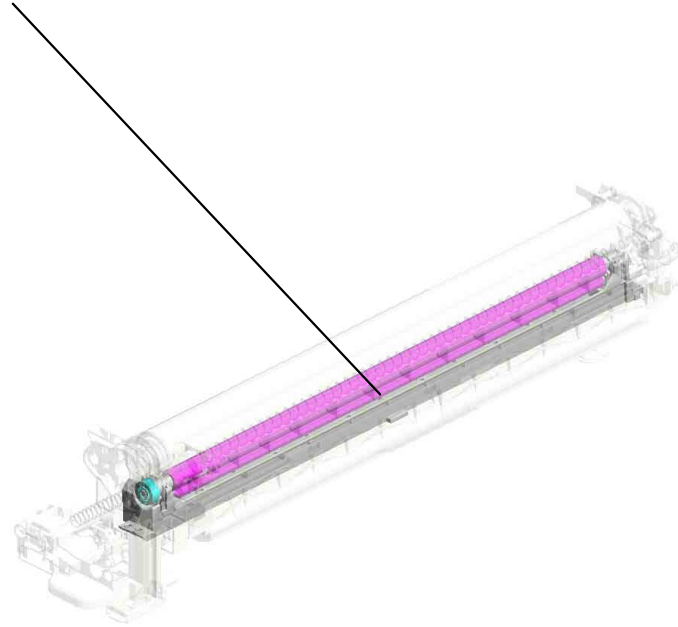
1.04593010N
BINDING HEAD TA
PPING SCREW:3X
10



U001	U002	U003	U004	U005	U006	U007	U008	U009	U010	U011	U012	U013	U014	U015	U016	U017	U018
------	------	------	------	------	------	------	------	------	------	------	------	------	------	------	------	------	------

U007_S009_S001
(NA/LA):PCU:K

45.D0BQ2071
CHARGE UNIT:ASS
Y

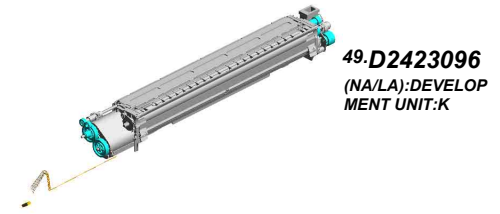


48.D2392245
(NA/LA):PCU:K

U001	U002	U003	U004	U005	U006	U007	U008	U009	U010	U011	U012	U013	U014	U015	U016	U017	U018
------	------	------	------	------	------	------	------	------	------	------	------	------	------	------	------	------	------

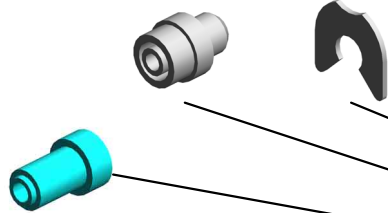
U007_S009_S002
(NA/LA):DEVELOPMENT UNIT:K

41.D1493073 16.08050100
JOINT:DEVELOPMENT RETAINING RING -
ENT M2.5

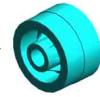


49.D2423096
(NA/LA):DEVELOPMENT UNIT:K

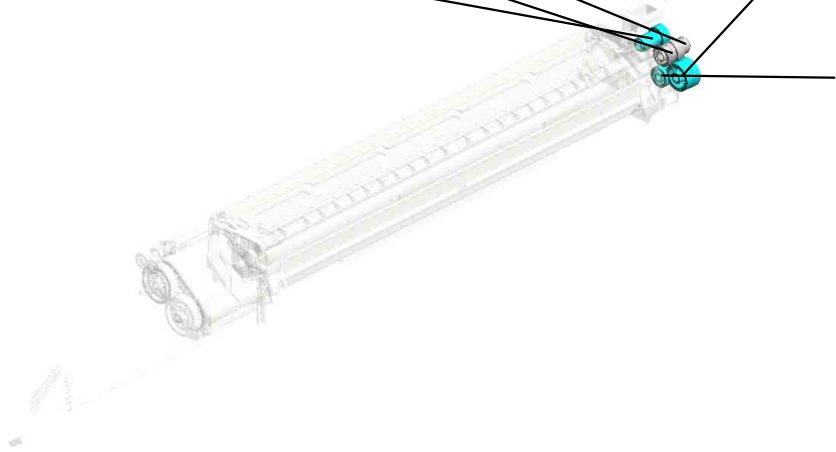
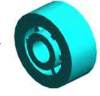
43.D1493075
GEAR:IDLER:DEVELOPMENT ROLLER



42.D1493074
GEAR:IDLER:TRANSPORT SCREW



50.D2423072
GEAR:TRANSPORT SCREW:REAR



U001	U002	U003	U004	U005	U006	U007	U008	U009	U010	U011	U012	U013	U014	U015	U016	U017	U018
------	------	------	------	------	------	------	------	------	------	------	------	------	------	------	------	------	------

U008.ITB UNIT

U008 S001
D2416005
(EU/CHN/AA/KOR/TWN):TRA
NSFER UNIT:INTERMEDIATE
TRANSFER:ASS'Y

U008 S004
D2416005
(EU/CHN/AA/KOR/TWN):TRA
NSFER UNIT:INTERMEDIATE
TRANSFER:ASS'Y

U008 S005
D2416005
(EU/CHN/AA/KOR/TWN):TRA
NSFER UNIT:INTERMEDIATE
TRANSFER:ASS'Y

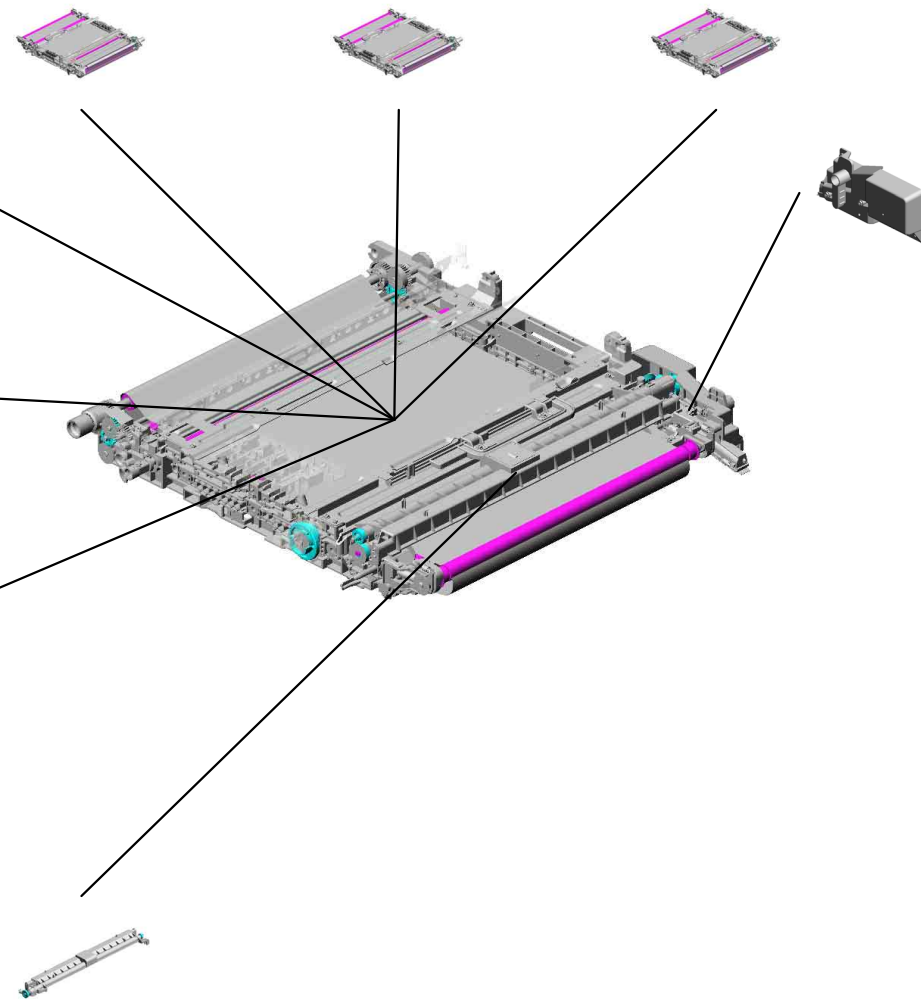
U008 S002
D1496370
TONER OUTLET UNIT:BELT
CLEANING:ASS'Y

U008 S006
D2416005
(EU/CHN/AA/KOR/TWN):TRA
NSFER UNIT:INTERMEDIATE
TRANSFER:ASS'Y

U008 S007
D2416006
(NA/LA):TRANSFER UNIT:INT
ERMEDIATE TRANSFER:ASS
'Y

U008 S008
D2416006
(NA/LA):TRANSFER UNIT:INT
ERMEDIATE TRANSFER:ASS
'Y

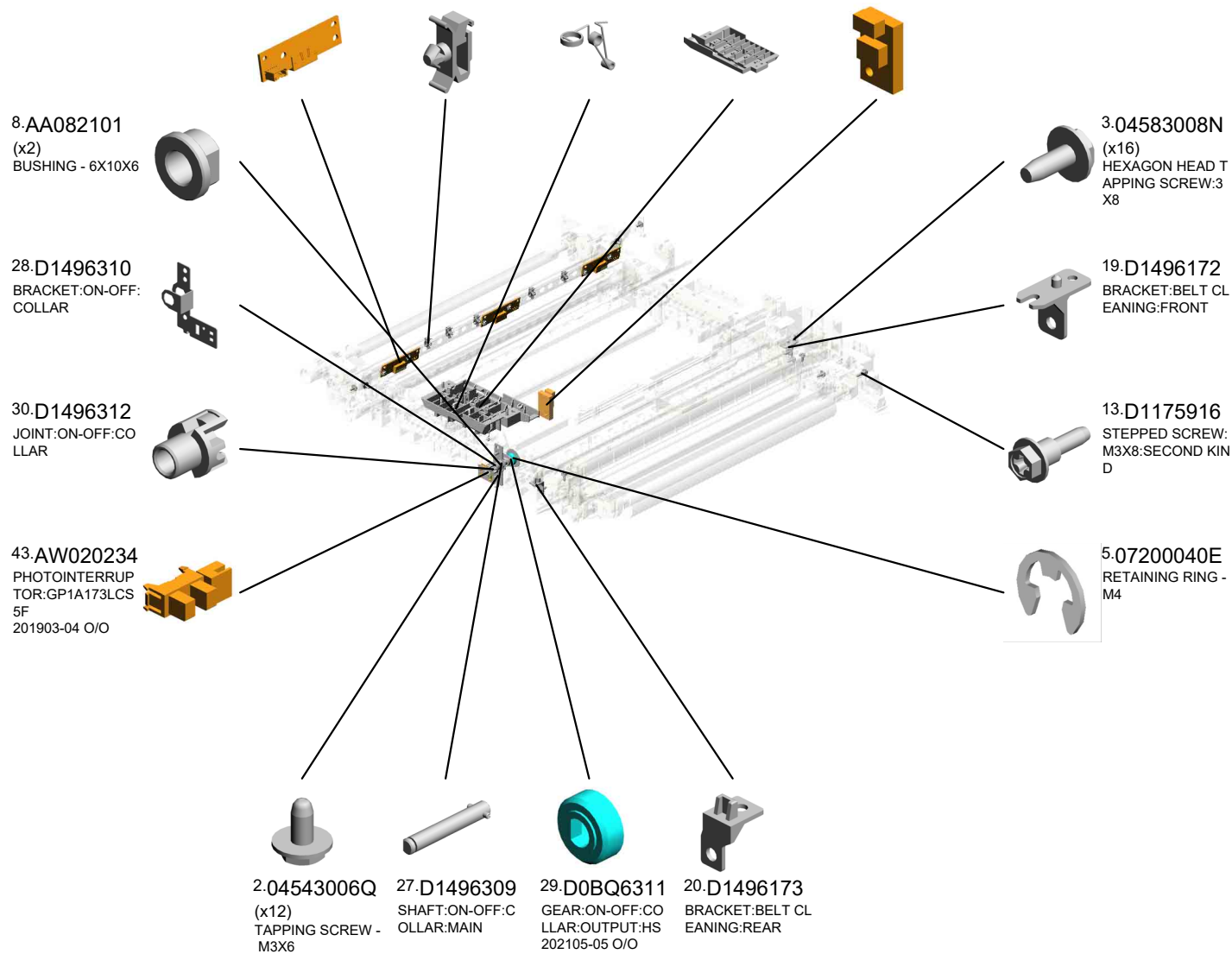
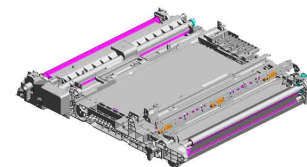
U008 S003
D0BQ6141
CLEANING UNIT:BELT CLEA
NING:ASS'Y



U001	U002	U003	U004	U005	U006	U007	U008	U009	U010	U011	U012	U013	U014	U015	U016	U017	U018
------	------	------	------	------	------	------	------	------	------	------	------	------	------	------	------	------	------

U008 ITB UNIT

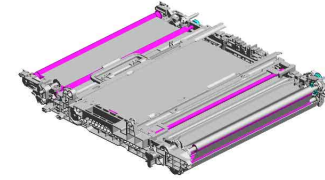
- 39.GW010009 (x3) DENSITY SENSOR
- 7.11050758 (x5) CLAMP:LWSM-0306A
- 31.D1496320 (x5) TERMINAL:BIAS:IN
TERMEDATE TRANSFER:MAIN
- 32.D1496321 HOLDER:TERMINAL:INTERMEDIATE TRANSFER:MAIN
- 11.AW140026 TEMPERATURE & HUMIDITY SENSOR



U008_S001

(EU/CHN/AA/KOR/TWN):TRANSFER UNIT:INTERMEDIATE TRANSFER:ASS'Y

- 44.D0BQ6060 (x3) TRANSFER ROLLER:FC:ASS'Y 201904-03 O/O
- 46.D1496136 VIBRATING PLATE:REAR:PEEN
- 37.D2416097 FLAT BELT-TRANSFER:INTERMEDIATE TRANSFER:TT
- 34.D1496345 CAM:SHUTTER-TM SENSOR 201605-03
- 4.07200030E RETAINING RING - M3



42.D2416005

[A]
(EU/CHN/AA/KOR/TWN):TRANSFER UNIT:INTERMEDIATE TRANSFER:ASS'Y 202111-01 O/O

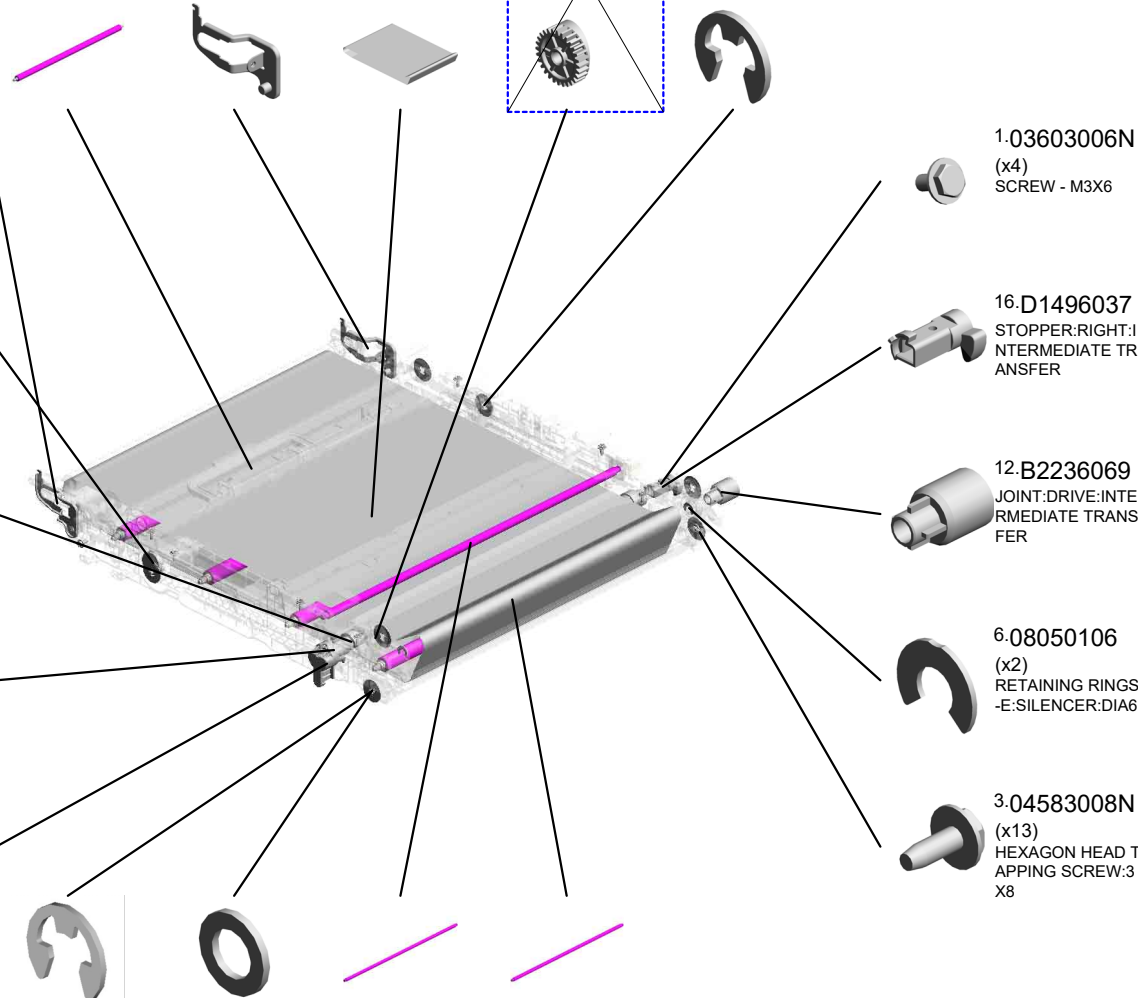
45.D1496133 VIBRATING PLATE:FRONT:PEEN

14.D1496030 CAM:ON-OFF:COLLAR

15.D1496036 (x2) CAM:ON-OFF:BK

49.D1496039 COMPRESSION SPRING:LEVER

17.D1496038 LEVER:ON-OFF:BK



- 5.07200040E (x6) RETAINING RING - M4
- 9.AA132208 (x2) SPACER - M6
- 40.D0BQ6125 ROLLER:FLAT BELT-TRANSFER:FACE FRONT:ASS'Y 202105-02 O/O
- 33.D1496336 TRANSFER ROLLER:ASS'Y

1.03603006N (x4) SCREW - M3X6

16.D1496037 STOPPER:RIGHT:INTERMEDIATE TRANSFER

12.B2236069 JOINT:DRIVE:INTERMEDIATE TRANSFER

6.08050106 (x2) RETAINING RINGS -E:SILENCER:DIA6

3.04583008N (x13) HEXAGON HEAD TAPPING SCREW:3X8

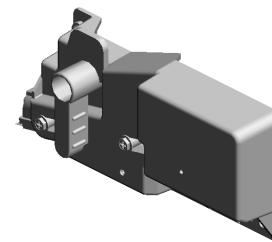


D2416003
[A]
(EU/CHN/AA/KOR/TWN):TRANSFER UNIT:INTERMEDIATE TRANSFER:ASS'Y 202111-01 O/O

U001	U002	U003	U004	U005	U006	U007	U008	U009	U010	U011	U012	U013	U014	U015	U016	U017	U018
------	------	------	------	------	------	------	------	------	------	------	------	------	------	------	------	------	------

TONER OUTLET UNIT:BELT CLEANING:ASS'Y

22.D1496179 GEAR:IDLER:DISCHARGE USED TONER
 21.D1496177 HOLDER:DISCHARGE USED TONER:ASS'Y
 3.04583008N (x2) HEXAGON HEAD TAPPING SCREW:3X8

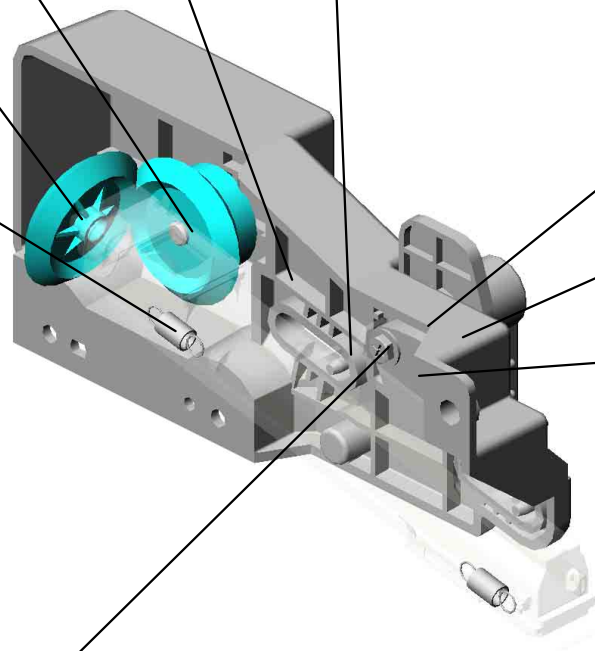


35.D1496370 TONER OUTLET UNIT:BELT CLEANING:ASS'Y

23.D1496190 GEAR:DISCHARGE USED TONER



18.D1496163 (x2) TENSION SPRING:SHUTTER:BELT CLEANING



25.D1496194 SHAFT:LEVER:DISCHARGE USED TONER



24.D1496192 LEVER:DISCHARGE USED TONER



26.D1496195 CAM:DISCHARGE USED TONER



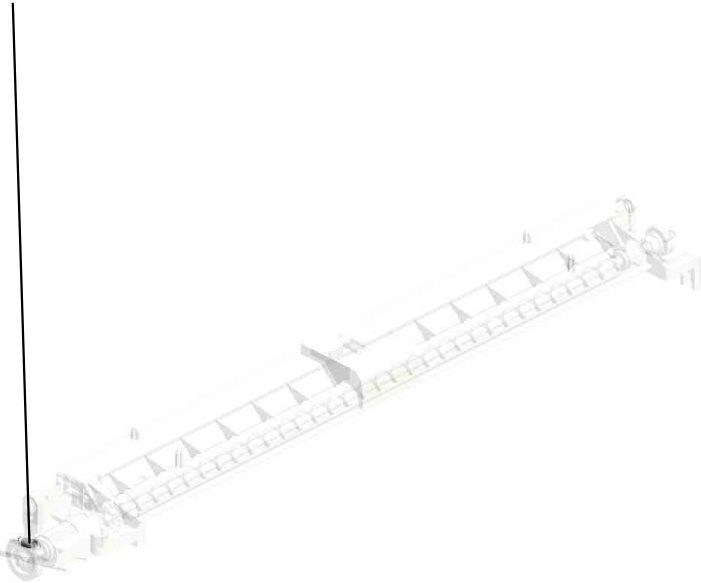
2.04543006Q (x2) TAPPING SCREW - M3X6



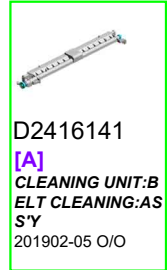
U001	U002	U003	U004	U005	U006	U007	U008	U009	U010	U011	U012	U013	U014	U015	U016	U017	U018
------	------	------	------	------	------	------	------	------	------	------	------	------	------	------	------	------	------

U008_S003
CLEANING UNIT:BELT CLEANING:ASS'Y

18.D1496163
TENSION SPRING:
SHUTTER:BELT CL
EANING



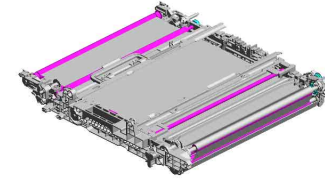
41.D0BQ6141
[A]
CLEANING UNIT:B
ELT CLEANING:AS
S'Y
201902-05 O/O



D2416141
[A]
CLEANING UNIT:B
ELT CLEANING:AS
S'Y
201902-05 O/O

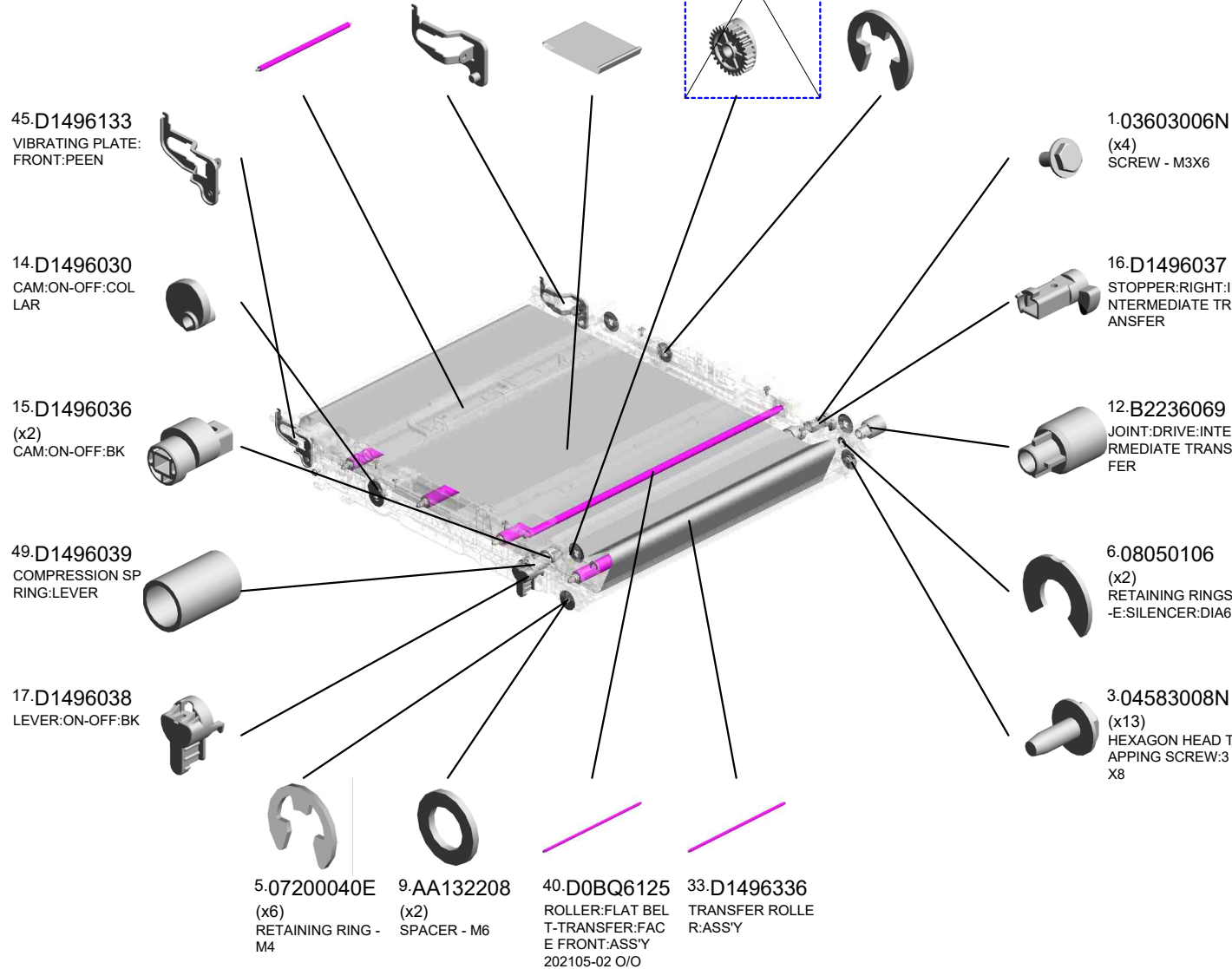
U001	U002	U003	U004	U005	U006	U007	U008	U009	U010	U011	U012	U013	U014	U015	U016	U017	U018
------	------	------	------	------	------	------	-------------	------	------	------	------	------	------	------	------	------	------

- 44.D0BQ6060 (x3) TRANSFER ROLLER:FC:ASS'Y
- 46.D1496136 VIBRATING PLATE:REAR:PEEN
- 37.D2416097 FLAT BELT-TRANSFER:INTERMEDIATE TRANSFER:TT
- 34.D1496345 CAM:SHUTTER-TM SENSOR 201605-03
- 4.07200030E RETAINING RING - M3

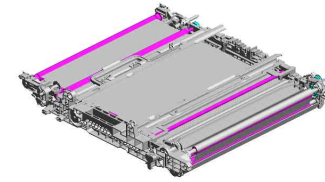


42.D2416005

[A]
(EU/CHN/AA/KOR/TWN):TRANSFER UNIT:INTERMEDIATE TRANSFER:ASS'Y
202111-01 O/O

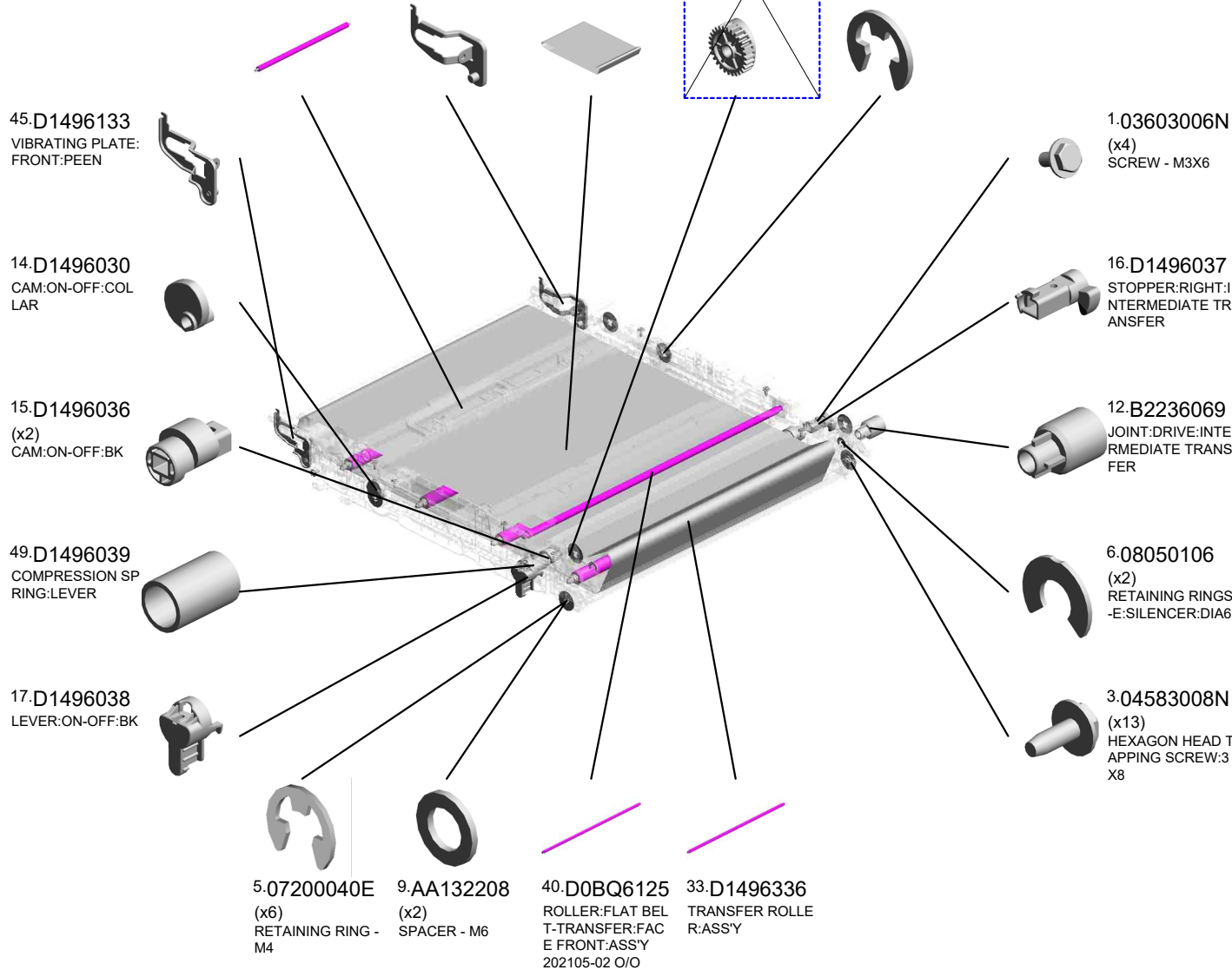


- 44.D0BQ6060 (x3) TRANSFER ROLLER:FC:ASS'Y
- 46.D1496136 VIBRATING PLATE:REAR:PEEN
- 37.D2416097 FLAT BELT-TRANSFER:INTERMEDIATE TRANSFER:TT
- 34.D1496345 CAM:SHUTTER-TM SENSOR 201605-03
- 4.07200030E RETAINING RING - M3

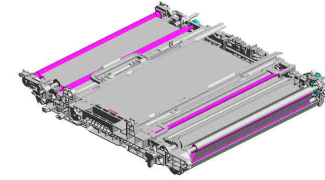


42.D2416005

[A]
(EU/CHN/AA/KOR/TWN):TRANSFER UNIT:INTERMEDIATE TRANSFER:ASS'Y
202111-01 O/O

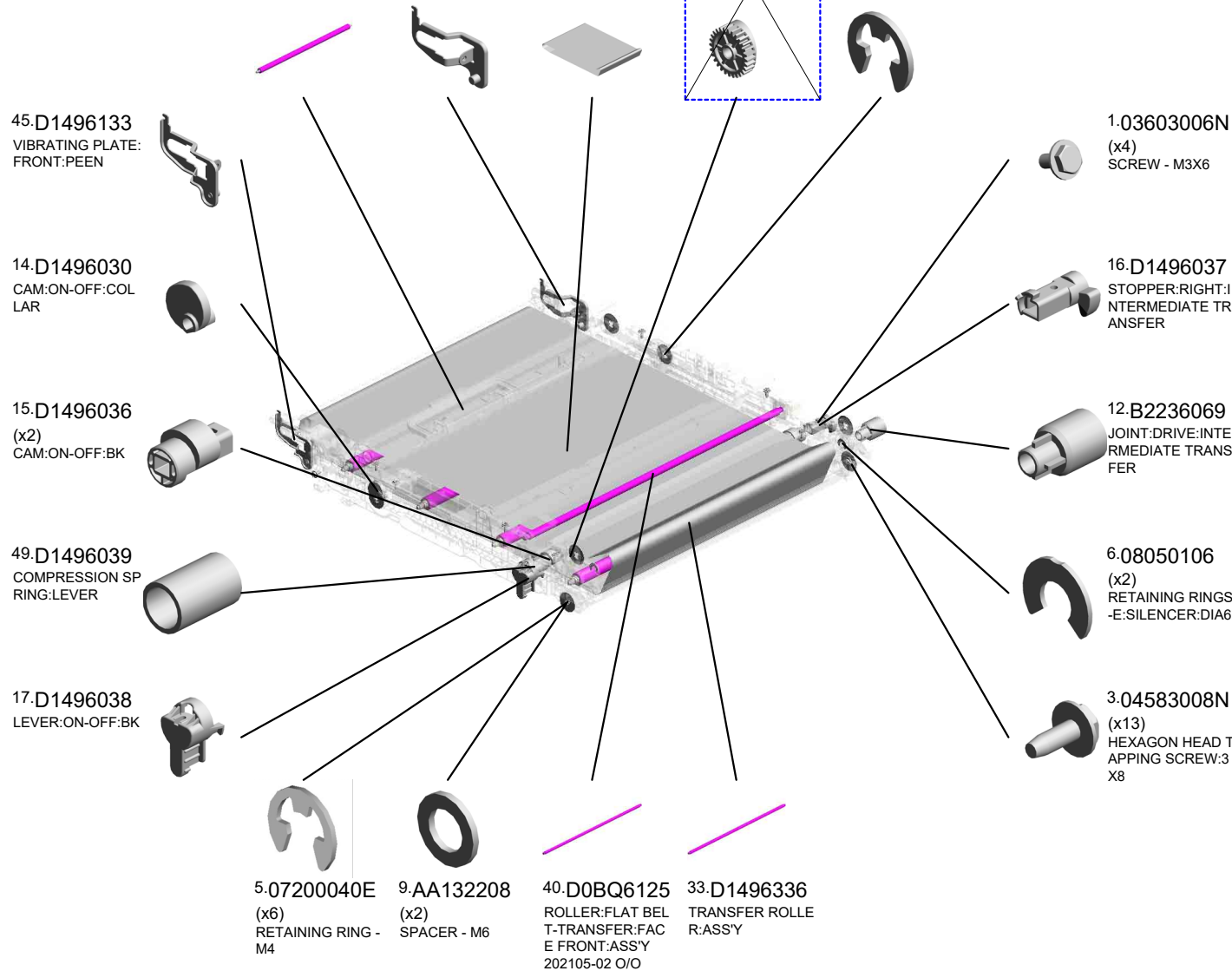


- 44.D0BQ6060 (x3) TRANSFER ROLLER:FC:ASS'Y
- 46.D1496136 VIBRATING PLATE:REAR:PEEN
- 37.D2416097 FLAT BELT-TRANSFER:INTERMEDIATE TRANSFER:TT
- 34.D1496345 CAM:SHUTTER-TM SENSOR 201605-03
- 4.07200030E RETAINING RING - M3



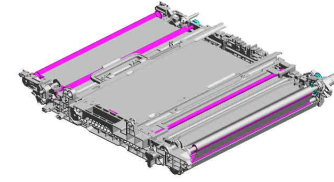
42.D2416005

[A]
(EU/CHN/AA/KOR/TWN):TRANSFER UNIT:INTERMEDIATE TRANSFER:ASS'Y
202111-01 O/O

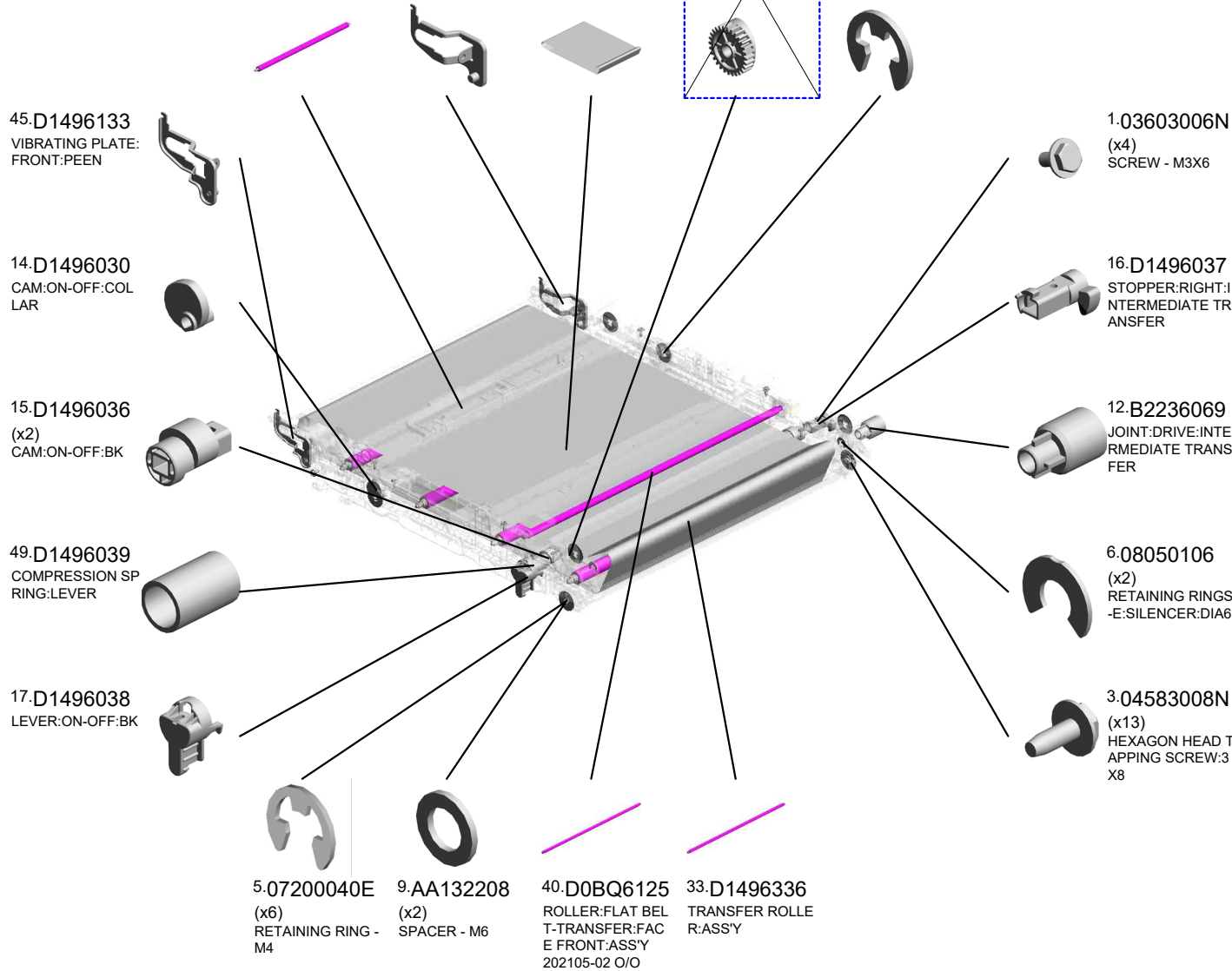


U008_S007
 (NA/LA):TRANSFER UNIT:INTERMEDIATE TRANSFER:ASS'Y

- 44.D0BQ6060 (x3) TRANSFER ROLLER:FC:ASS'Y
- 46.D1496136 VIBRATING PLATE:REAR:PEEN
- 37.D2416097 FLAT BELT-TRANSFER:INTERMEDIATE TRANSFER:TT
- 34.D1496345 CAM:SHUTTER:TM SENSOR 201605-03
- 4.07200030E RETAINING RING - M3

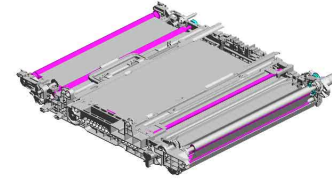


48.D2416006
 [A]
 (NA/LA):TRANSFER UNIT:INTERMEDIATE TRANSFER:ASS'Y
 202111-02 O/O

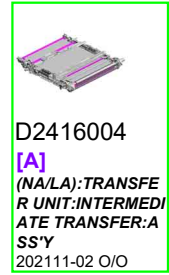
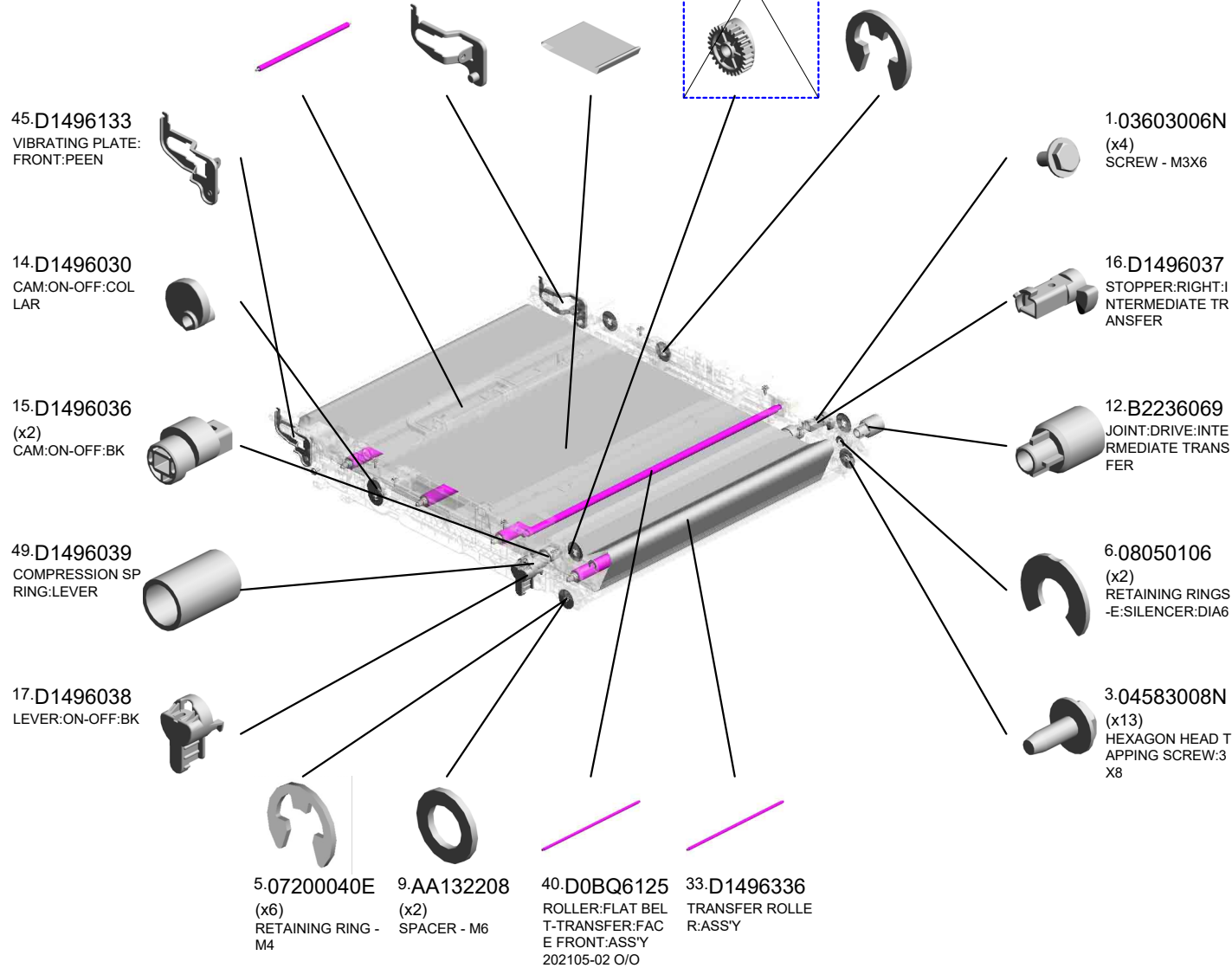


U001	U002	U003	U004	U005	U006	U007	U008	U009	U010	U011	U012	U013	U014	U015	U016	U017	U018
------	------	------	------	------	------	------	------	------	------	------	------	------	------	------	------	------	------

- 44.D0BQ6060 (x3) TRANSFER ROLLER:FC:ASS'Y
- 46.D1496136 VIBRATING PLATE:REAR:PEEN
- 37.D2416097 FLAT BELT-TRANSFER:INTERMEDIATE TRANSFER:TT
- 34.D1496345** CAM:SHUTTER:TM SENSOR 201605-03
- 4.07200030E RETAINING RING - M3

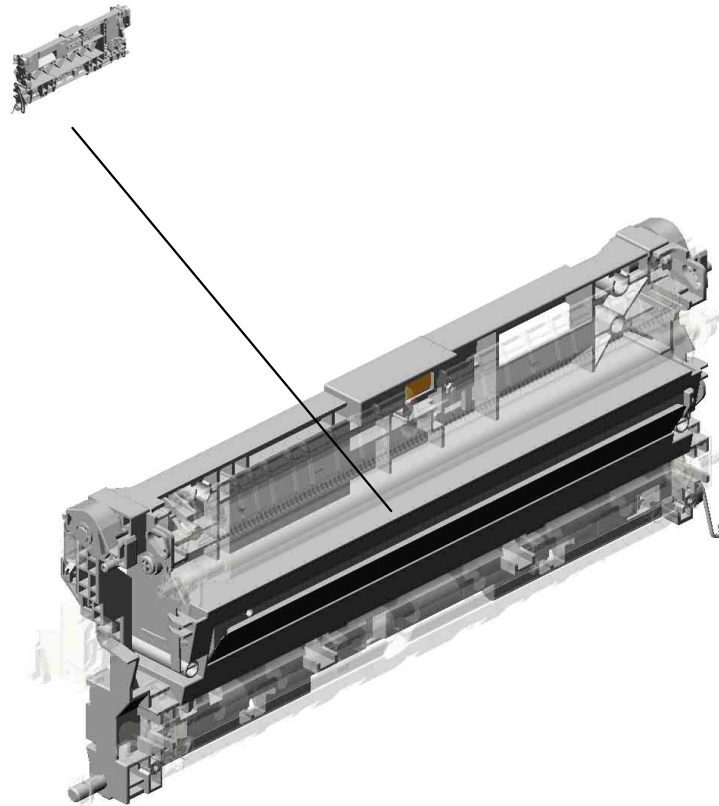


48.D2416006
[A]
 (NA/LA):TRANSFER UNIT:INTERMEDIATE TRANSFER:ASS'Y
 202111-02 O/O



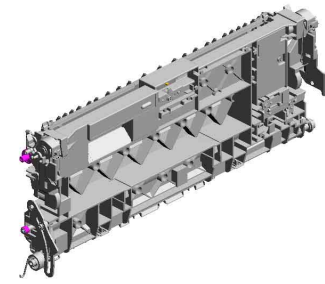
U009.SEPARATION/PAPER TRANSPORT

U009 S001
D2416216
GUIDE PLATE:TRANSFER:S
ECOND:ASSY



U001	U002	U003	U004	U005	U006	U007	U008	U009	U010	U011	U012	U013	U014	U015	U016	U017	U018
------	------	------	------	------	------	------	------	------	------	------	------	------	------	------	------	------	------

U009 SEPARATION/PAPER TRANSPORT



- 38.D1496291 GUIDE:SET:TRANSFER/SEPARATION UNIT:REAR
- 9.AA063942 COMPRESSION SPRING:REGISTRATION:DRIVE
- 21.D1492990 PLAIN SHAFT BEARING:DRIVE:REGISTRATION ROLLER
- 11.AA080346 (x2) BUSHING:FLANGE TYPE:DIA6
- 2.04543008Q (x2) TAPPING SCREW:3X8

39.D1496295
COVER:HARNESS:TRANSFER/SEPARATION UNIT



13.AB011571
GEAR:Z19:DRIVE:REGISTRATION



18.D1492584
(x2)
COLLAR:SHAFT:REGISTRATION ROLLER



7.52152621
SNAP RING - M6



12.AA082144
BUSHING - 8X12X7



19.D1492585
GUIDE:REGISTRATION:REAR RIGHT

41.D2412583
REGISTRATION ROLLER:DRIVE

17.D1492582
GUIDE PLATE:REGISTRATION:FRONT RIGHT

20.D1492586
GUIDE:REGISTRATION:FRONT RIGHT

10.AA063943
(x2)
COMPRESSION SPRING:GUIDE PLATE:REGISTRATION:4N

37.D1496290
GUIDE:SET:TRANSFER/SEPARATION UNIT:FRONT



8.54472681
SNAP RING



4.07200030E
(x2)
RETAINING RING - M3



5.07200040E
(x3)
RETAINING RING - M4



3.04583008N
(x2)
HEXAGON HEAD TAPPING SCREW:3X8

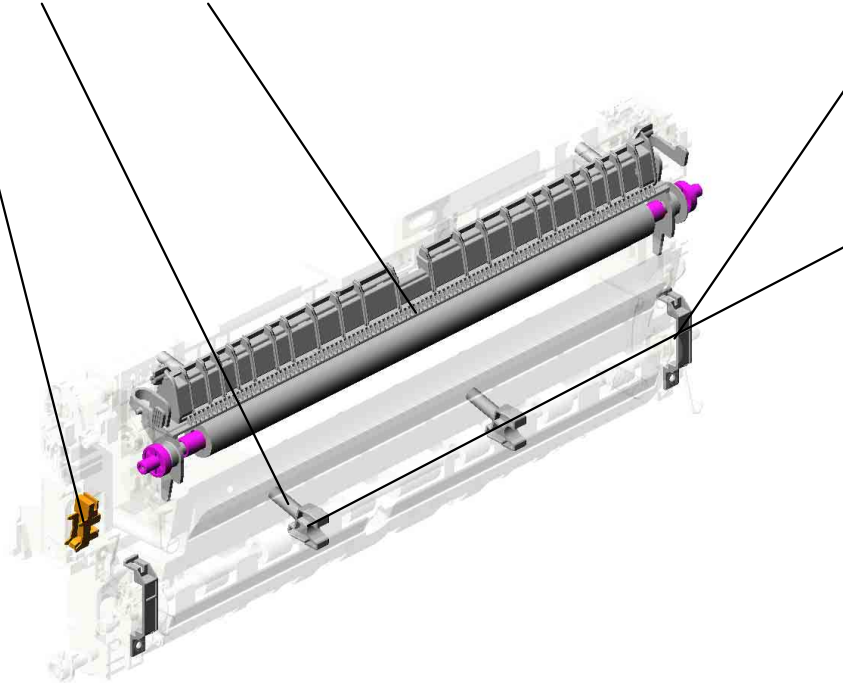
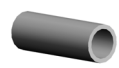


U009 SEPARATION/PAPER TRANSPORT

44.D2412994 (x2)
COMPRESSION SPRING:REGISTRATION ROLLER:INNER DRIVE

45.D0BQ6212
TRANSFER ROLLER:SECOND ASSY
202007-01 O/O

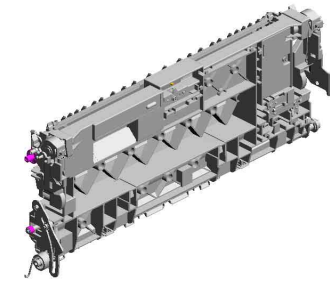
58.AW020234
PHOTO INTERRUPTOR:GP1A173LCS
5F
201903-04 O/O



43.D2412993 (x2)
STOPPER:REGISTRATION ROLLER



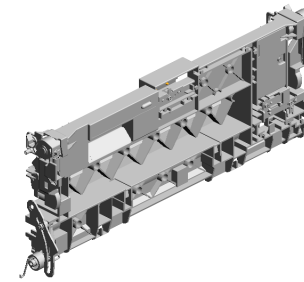
42.D2412991 (x2)
PLAIN SHAFT BEARING:INNER DRIVE:REGISTRATION ROLLER



U001	U002	U003	U004	U005	U006	U007	U008	U009	U010	U011	U012	U013	U014	U015	U016	U017	U018
------	------	------	------	------	------	------	------	------	------	------	------	------	------	------	------	------	------

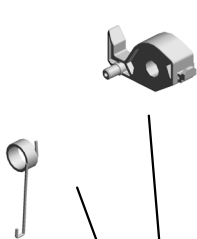
U009_S001
GUIDE PLATE:TRANSFER:SECOND:ASS'Y

- 23.D1496226 LEVER:TRANSFER /SEPARATION UNIT:FRONT
- 35.D1496254 DECAL:GRIP:B:LOWER
- 34.D1496248 CAP:LED
- 22.D1494662 DIFFUSION PLATE:LED
- 14.AW010200 PAPER FEED SENSOR:FUSING EXIT



55.D2416216
[A]
GUIDE PLATE:TRANSFER:SECOND:ASS'Y
201804-05 O/O

25.D1496228
TORSION SPRING:
LEVER:SET:FRONT



26.D1496229
(x2)
TENSION SPRING:
LEVER:SET



24.D1496227
LEVER:SET:FRONT



30.D1496242
(x2)
COMPRESSION SPRING:
PRESSURE:TRANSFER ROLLER



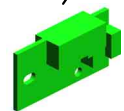
33.D1496246
LINK:TRANSFER/SEPARATION UNIT



1.04543006Q
TAPPING SCREW - M3X6



16.D1185170
PCB:DIODE



31.D1496243
RECEIVE PLATE:COMPRESSION SPRING:TRANSFER ROLLER



32.D1496245
GROUND PLATE:TRANSFER/SEPARATION UNIT



36.D1496257
GROUND PLATE:REGISTRATION ROLLER



27.D1496231
LEVER:TRANSFER /SEPARATION UNIT:REAR



6.07200060E
(x2)
RETAINING RING - M6



29.D1496233
TORSION SPRING:
LEVER:SET:REAR



28.D1496232
LEVER:SET:REAR



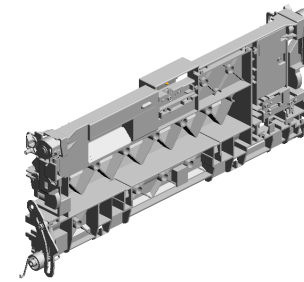
3.04583008N
(x6)
HEXAGON HEAD TAPPING SCREW:3 X8



U001	U002	U003	U004	U005	U006	U007	U008	U009	U010	U011	U012	U013	U014	U015	U016	U017	U018
------	------	------	------	------	------	------	------	------	------	------	------	------	------	------	------	------	------

U009_S001
GUIDE PLATE:TRANSFER:SECOND:ASS'Y

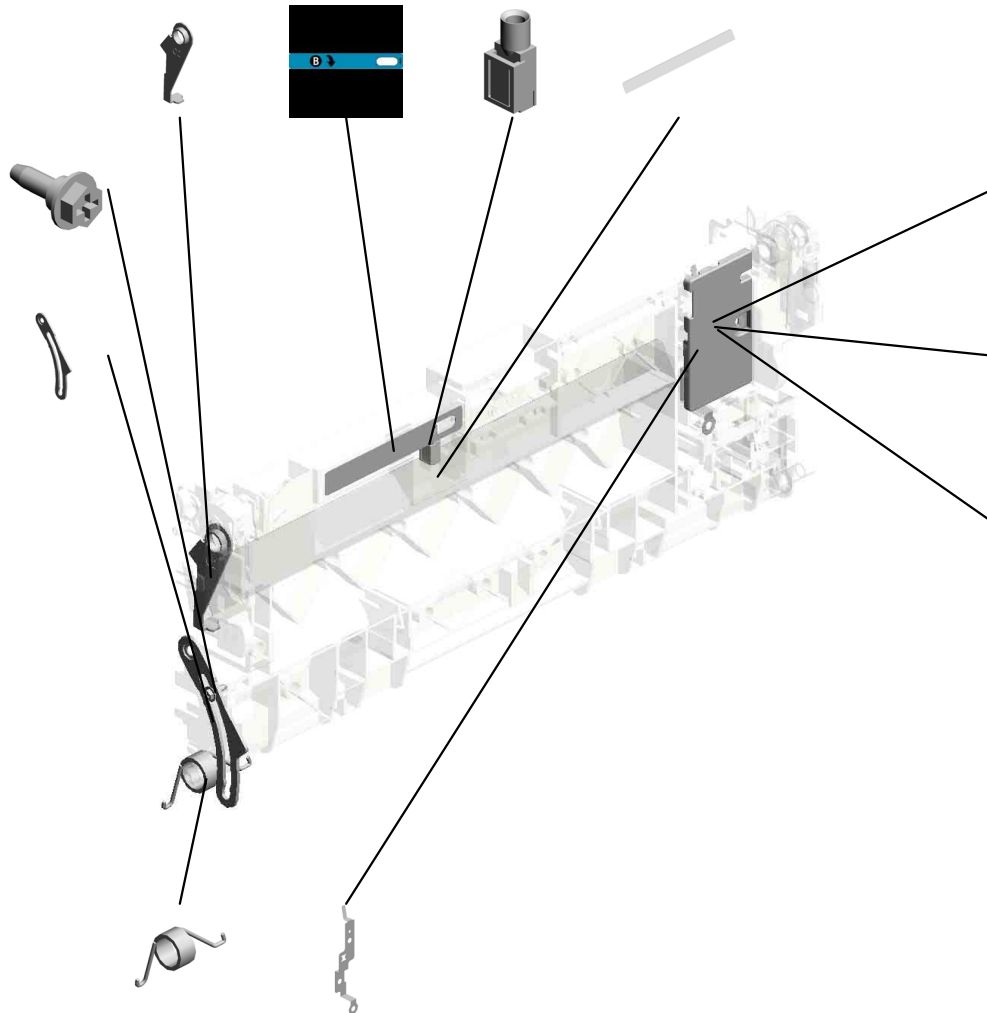
47.D2416240 LEVER:PRESSURE
:TRANSFER ROLL
ER:FRONT:DIA19.5
40.D2026255 DECAL:GRIP:B
53.D2416290 LED:RED
52.D2416275 SHEET:ENTRANCE
:TRANSFER



55.D2416216
[A]
GUIDE PLATE:TRA
NSFER:SECOND:A
SS'Y
201804-05 O/O

54.GA143003
SCREW:MM5:2.5M
M

57.M0BW6246
LINK:TRANSFER/S
EPARATION UNIT:
MO
201810-02



49.D2416244
GROUND PLATE:S
EPARATION

48.D2416241
LEVER:PRESSURE
:TRANSFER ROLL
ER:REAR:DIA19.5

51.D2416258
COVER:TRANSFE
R/SEPARATION UN
IT

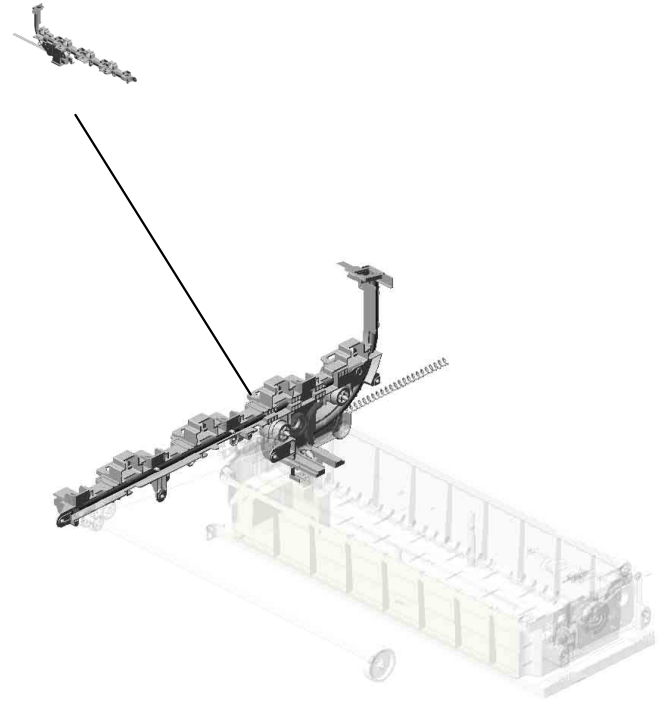
56.M0BW6228 TORSION SPRING:
SEPARATION/TRA
NSPORT:28N
201807-01
50.D2416256 GROUND PLATE:G
UIDE:TRANSPORT



D2416215
[A]
GUIDE PLATE:TRA
NSFER:SECOND:A
SS'Y
201804-05 O/O

U010.USED TONER

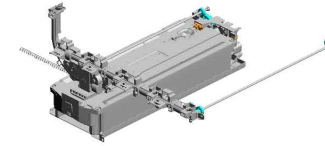
U010 S001
D2426511
PIPE:ASS'Y



U001	U002	U003	U004	U005	U006	U007	U008	U009	U010	U011	U012	U013	U014	U015	U016	U017	U018
------	------	------	------	------	------	------	------	------	------	------	------	------	------	------	------	------	------

U010 USED TONER

- 20.D1496556 TENSION SPRING: BELT TENSIONER
- 22.D1496561 PULLEY:USED TO NER
- 2.04543008Q (x4) TAPPING SCREW: 3X8
- 16.D1496552 GEAR:IDLER:Z30
- 17.D1496553 GEAR:IDLER:Z61



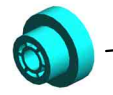
6.07200040E
(x7)
RETAINING RING - M4



21.D1496557
SYNCHRONOUS BELT:40S3M564



18.D1496554
GEAR:PULLEY:IDLER:Z16



5.07200030E
(x2)
RETAINING RING - M3



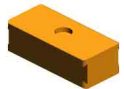
19.D1496555
GEAR:IDLER:Z21



12.B2236476
(x4)
BUSHING - DIA5



9.AG070514
MAGNET CATCH



10.AW020198
PHOTOINTERRUPTOR:LG2A14NL1



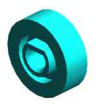
13.D1491168
BRACKET:DRIVE:COLLECTION BOTTLE:ASSY



3.04583008N
(x2)
HEXAGON HEAD TAPPING SCREW:3X8



15.D1491174
GEAR:COLLECTION BOTTLE



8.08050103
(x4)
RETAINING RINGS -E:SILENCER:DIA3



7.08050089
RETAINING RING - M4



14.D1491173
GEAR:IDLER:TONE R BOTTLE



1.04543006Q
(x5)
TAPPING SCREW - M3X6

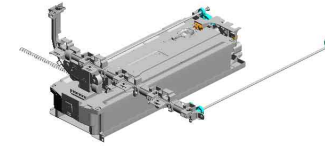


6.07200040E (x 1)
RETAINING RING - M4

U001	U002	U003	U004	U005	U006	U007	U008	U009	U010	U011	U012	U013	U014	U015	U016	U017	U018
------	------	------	------	------	------	------	------	------	------	------	------	------	------	------	------	------	------

U010 USED TONER

- 24.D1496571 BRACKET:PULLEY: IDLER:USED TONER
- 25.D1496574 GEAR:PULLEY:IDLER:Z18
- 26.D1496575 FLANGE:IDLER:USED TONER
- 31.D1496587 GEAR:USED TONER:LEFT
- 33.D2426400** (x4)
(EU/CHN/AA/KOR/TWN):COLLECTION BOTTLE:ASS'Y



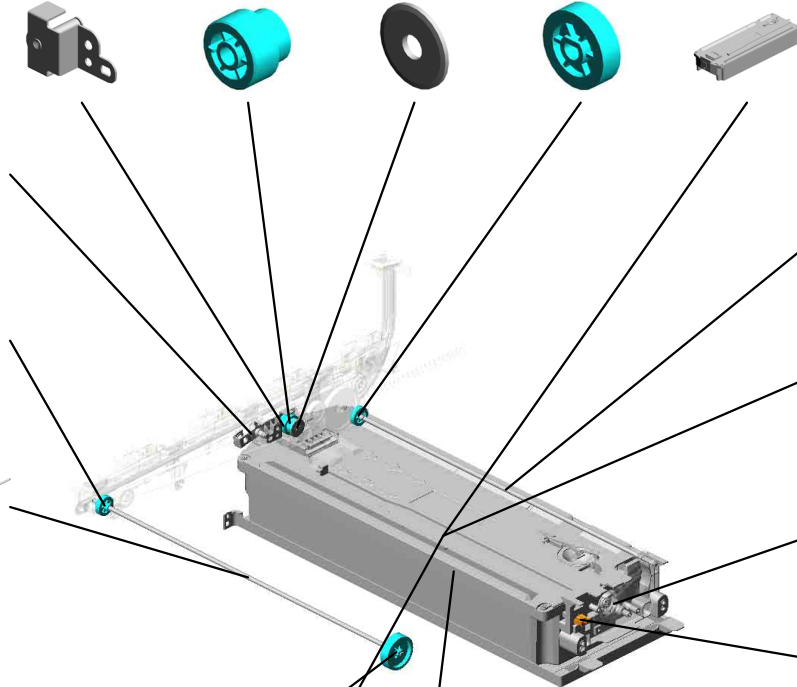
- 23.D1496562 BRACKET:TIGHTENER:USED TONER



- 28.D1496582 GEAR:USED TONER:RIGHT



- 27.D1496581 SHAFT:DRIVE:USED TONER:RIGHT



- 30.D1496586 SHAFT:DRIVE:USED TONER:LEFT

- 33.D2426410** (NA/LA):COLLECTION BOTTLE:ASS'Y
202007-04 O/O

- 35.D1496542 BRACKET:USED TONER SENSOR

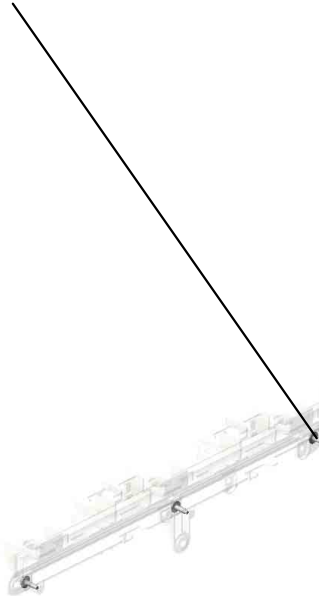
- 36.AW500049 PUSH SWITCH:SW 1AG-550
201811-01 O/O

- 29.D1496583 GEAR:USED TONER:INPUT
- 33.D2426410** (NA/LA):COLLECTION BOTTLE:ASS'Y
- 32.D1496592 RAIL:COLLECTION BOTTLE

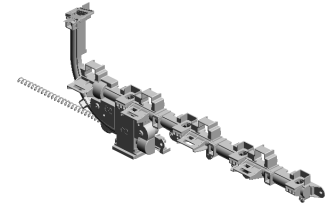
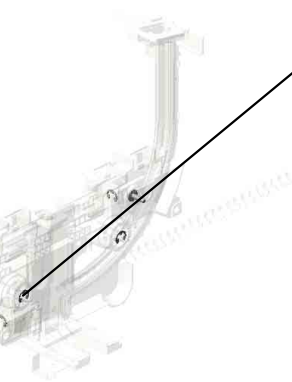
U001	U002	U003	U004	U005	U006	U007	U008	U009	U010	U011	U012	U013	U014	U015	U016	U017	U018
------	------	------	------	------	------	------	------	------	------	------	------	------	------	------	------	------	------

U010_S001
PIPE:ASS'Y

4.04583010N
(x4)
HEXAGON HEAD TAPPING SCREW:3
X10



6.07200040E
(x4)
RETAINING RING -
M4



34.D2426511
PIPE:ASS'Y

U001	U002	U003	U004	U005	U006	U007	U008	U009	U010	U011	U012	U013	U014	U015	U016	U017	U018
------	------	------	------	------	------	------	------	------	------	------	------	------	------	------	------	------	------

U011.FUSING

U011 S001
D2424056
(EU/AA/KOR/CHN):FUSING U
NIT:220/240V



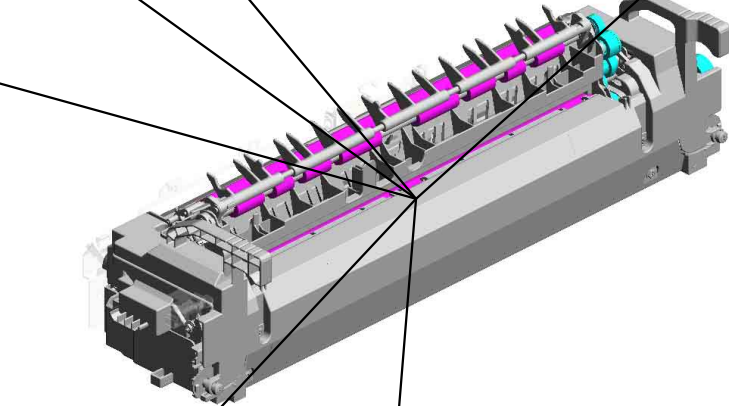
U011 S002
D2424056
(EU/AA/KOR/CHN):FUSING U
NIT:220/240V



U011 S004
D2424058
(NA/LA):FUSING UNIT:120V



U011 S003
D2424056
(EU/AA/KOR/CHN):FUSING U
NIT:220/240V



U011 S005
D2424057
(TWN):FUSING UNIT:110V



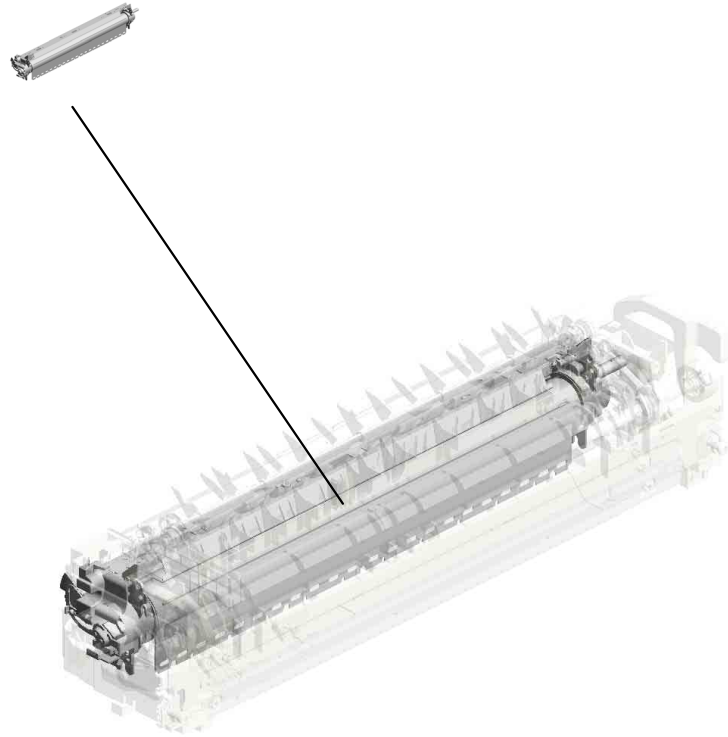
U011 S006
D2424058
(NA/LA):FUSING UNIT:120V



U001	U002	U003	U004	U005	U006	U007	U008	U009	U010	U011	U012	U013	U014	U015	U016	U017	U018
------	------	------	------	------	------	------	------	------	------	------	------	------	------	------	------	------	------

U011_S001.(EU/AA/KOR/CHN):FUSING UNIT:220/240V

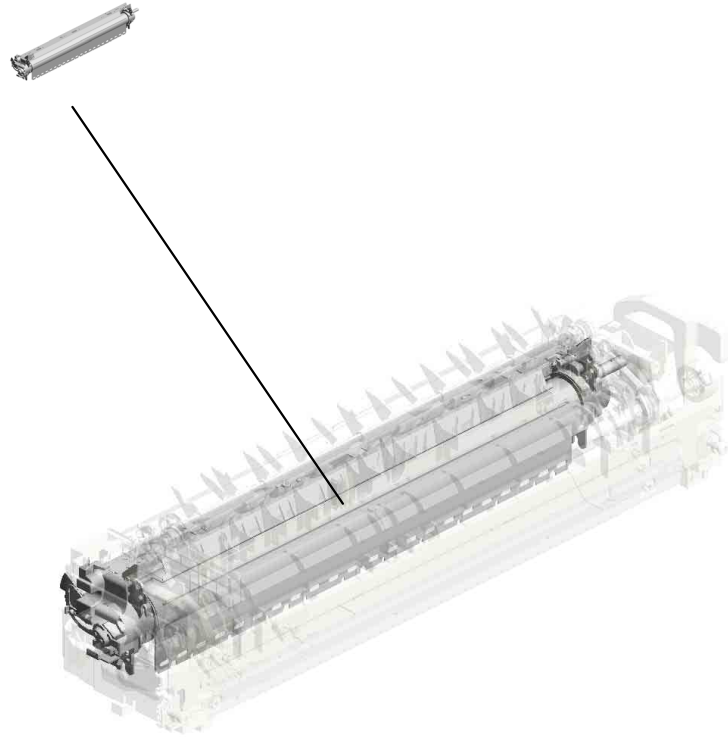
U011 S001 S001
D2424042
(EU/AA/KOR/CHN):SLEEVE:F
USING:220/240V



U001	U002	U003	U004	U005	U006	U007	U008	U009	U010	U011	U012	U013	U014	U015	U016	U017	U018
------	------	------	------	------	------	------	------	------	------	------	------	------	------	------	------	------	------

U011_S002.(EU/AA/KOR/CHN):FUSING UNIT:220/240V

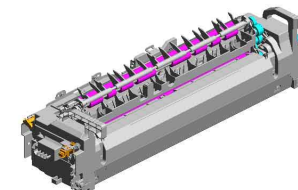
U011 S002 S001
D2424042
(EU/AA/KOR/CHN):SLEEVE:F
USING:220/240V



U001	U002	U003	U004	U005	U006	U007	U008	U009	U010	U011	U012	U013	U014	U015	U016	U017	U018
------	------	------	------	------	------	------	------	------	------	------	------	------	------	------	------	------	------

U011 FUSING

14.11050692 CLAMP:LES-0503
 18.11050759 CLAMP:LWSM-060 5A
 13.09574008N SCREW:SMALL ROUND/SPRING:M4X8
 2.04543006Q (x8) TAPPING SCREW - M3X6
 16.11050723 (x2) CLAMPS:WES-0507



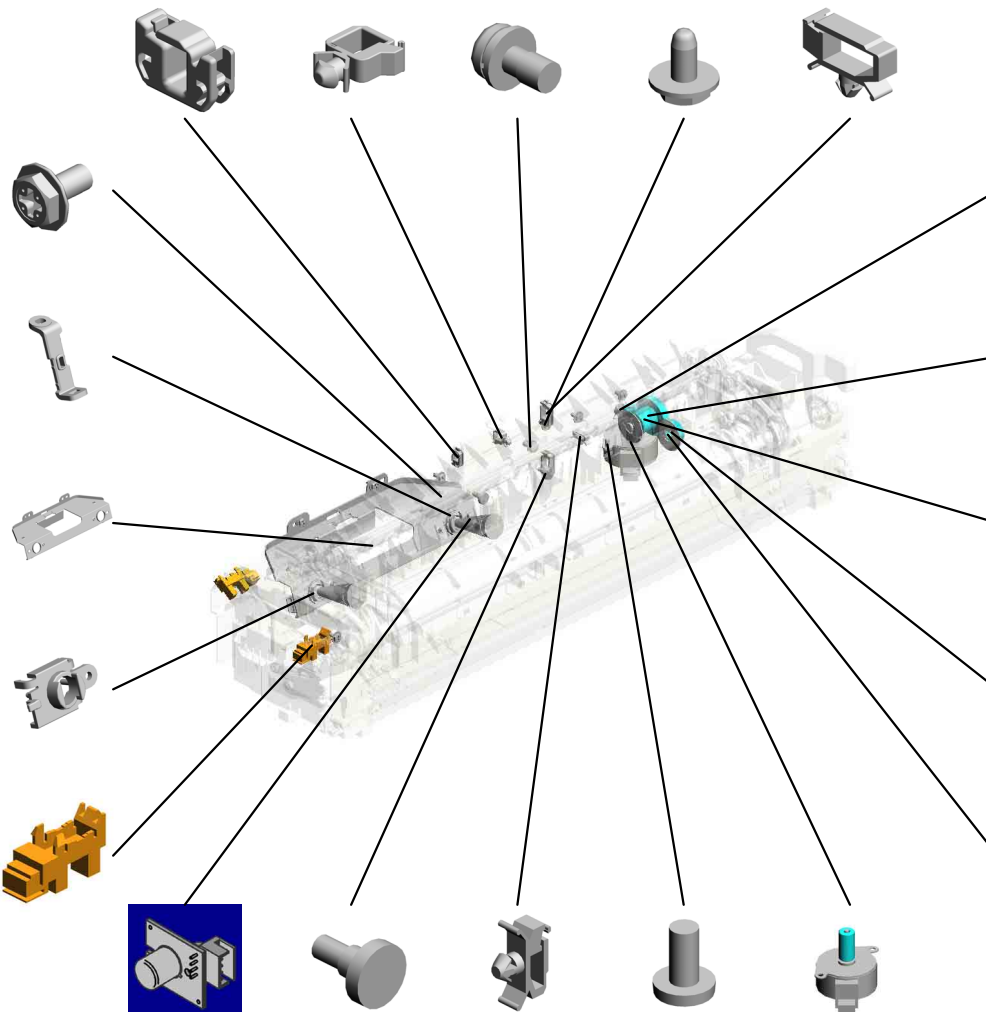
11.08046129 (x4) HEXAGON HEAD BOLT:IB-LOCK:M3X6

86.D2414367 (x2) STOPPER:THERMOPILE

85.D2414366 BRACKET:THERMOPILE

84.D2414365 (x2) HOLDER:THERMOPILE

43.AW020190 (x2) PHOTOINTERRUPTOR



19.AA061207 TENSION SPRING: BRACKET:IDLER

31.AB012102 GEAR:IDLER:WORKING GEAR

29.AA148871 SHAFT:GEAR:IDLER: WORM GEAR

32.AB012104 GEAR:IDLER:LIGHT SHIELDING PLATE

6.07200040E (x2) RETAINING RING - M4

47.AW100183 (x2) THERMOPILE

28.AA143219 (x2) STEPPED SCREW

17.11050758 CLAMP:LWSM-030 6A

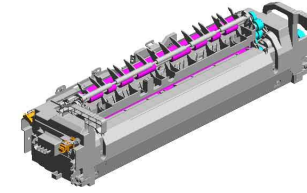
1.03530060N (x2) BIND SCREW - M3 X6

94.D2424382 DC STEPPER MOTOR:ASSY

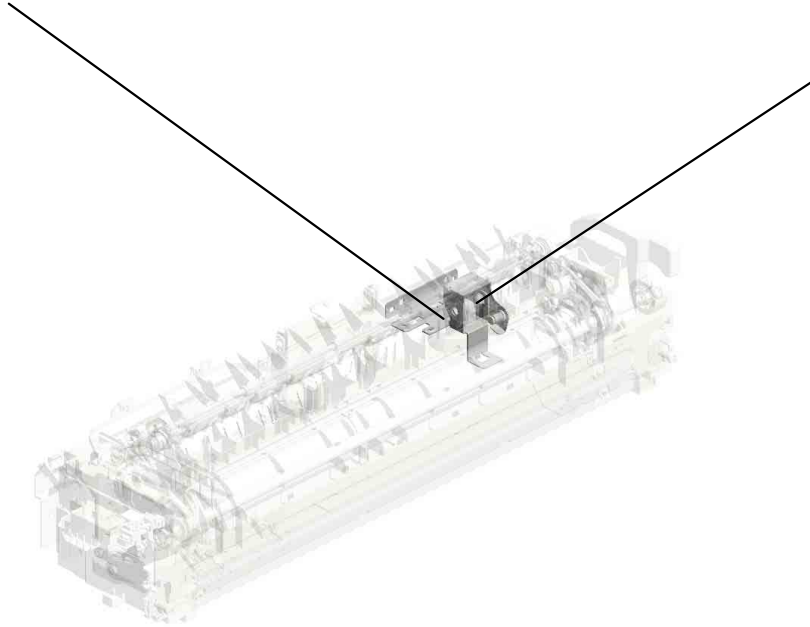
U001	U002	U003	U004	U005	U006	U007	U008	U009	U010	U011	U012	U013	U014	U015	U016	U017	U018
------	------	------	------	------	------	------	------	------	------	------	------	------	------	------	------	------	------

U011 FUSING

96.D2424386
BRACKET:DC STE
PPER MOTOR



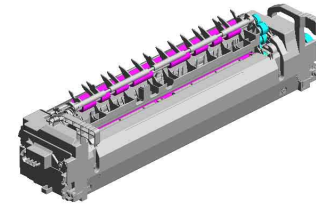
95.D2424383
BRACKET:IDLER:D
C STEPPER MOTO
R



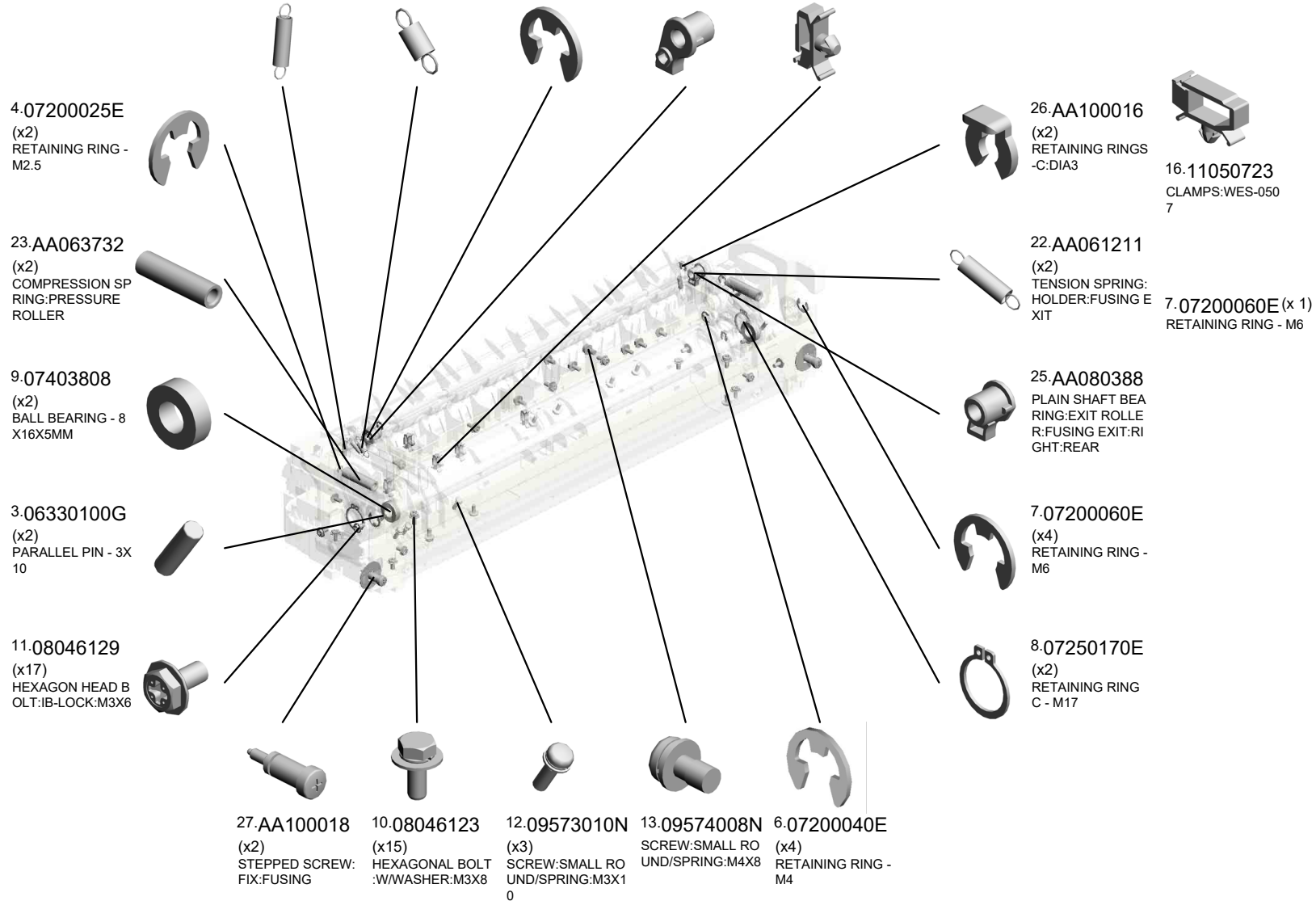
U001	U002	U003	U004	U005	U006	U007	U008	U009	U010	U011	U012	U013	U014	U015	U016	U017	U018
------	------	------	------	------	------	------	------	------	------	------	------	------	------	------	------	------	------

U011_S001
(EU/AA/KOR/CHN):FUSING UNIT:220/240V

- 20.AA061208 (x2) TENSION SPRING: STRIPPER PLATE
- 21.AA061209 TENSION SPRING: GATE PAWL
- 5.07200030E (x3) RETAINING RING - M3
- 24.AA080387 PLAIN SHAFT BEARING:EXIT ROLLER:FUSING EXIT:RIGHT:FRONT
- 15.11050713 (x5) CLAMP:LWSM-030 6H GRAY



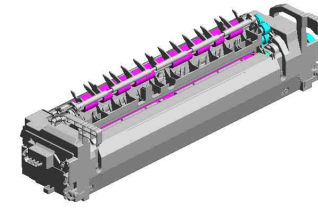
106-D2424056
[A]
(EU/AA/KOR/CHN):
FUSING UNIT:220/240V
201807-03 O/O



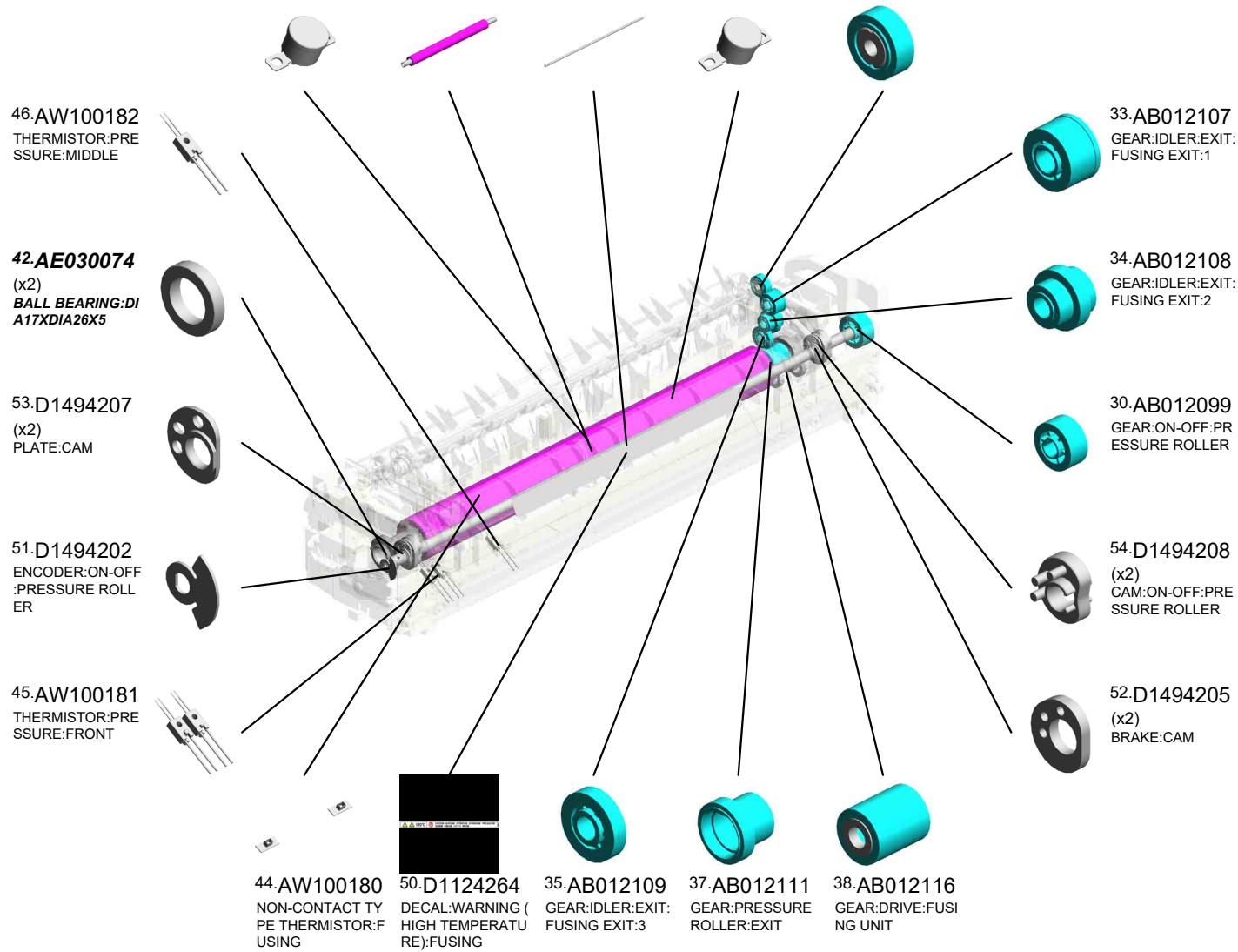
U001	U002	U003	U004	U005	U006	U007	U008	U009	U010	U011	U012	U013	U014	U015	U016	U017	U018
------	------	------	------	------	------	------	------	------	------	------	------	------	------	------	------	------	------

U011_S001
(EU/AA/KOR/CHN):FUSING UNIT:220/240V

- 48.AW110111 THERMOSTAT:MIDDLE
- 41.**AE020261** **PRESSURE ROLLER**
R:DIA32
201911-08 O/O
- 55.D1494209 SHAFT:ON-OFF:PRESSURE ROLLER
- 49.AW110112 THERMOSTAT:REAR
- 36.AB012110 GEAR:EXIT ROLLER:FUSING EXIT:RIGHT



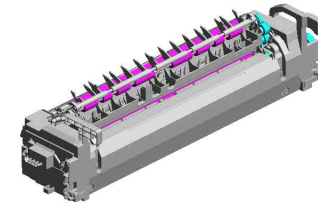
106.D2424056
[A]
(EU/AA/KOR/CHN):
FUSING UNIT:220/240V
201807-03 O/O



U001	U002	U003	U004	U005	U006	U007	U008	U009	U010	U011	U012	U013	U014	U015	U016	U017	U018
------	------	------	------	------	------	------	------	------	------	------	------	------	------	------	------	------	------

U011_S001
(EU/AA/KOR/CHN):FUSING UNIT:220/240V

- 75.D2414221 STRIPPER PLATE: FUSING EXIT:ASS'Y 201911-06 O/O
- 60.D0BQ4102 DRIVEN ROLLER:FUSING EXIT:ASS'Y 201911-06 O/O
- 71.D0BQ4214 EXIT ROLLER:FUSING EXIT:RIGHT 201911-07 O/O
- 70.D2414212 GATE PAWL:FUSING EXIT
- 72.D2414215 GUIDE:FUSING EXIT:RIGHT:ASS'Y



106.D2424056
[A]
(EU/AA/KOR/CHN):
FUSING UNIT:220/240V
201807-03 O/O

74.D2414219
DECAL:C:GUIDE PLATE:FUSING EXIT



73.D0BQ4218
LINK:GATE PAWL:FUSING EXIT 202010-01 O/O



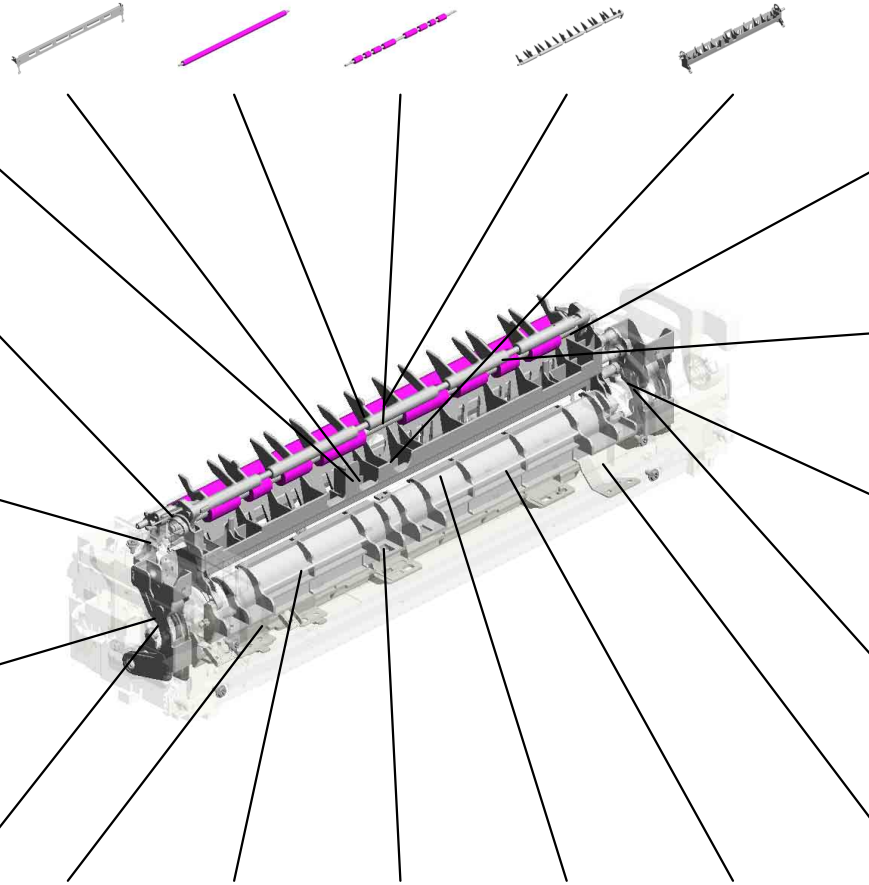
58.D2414023
HOLDER:DRIVEN ROLLER:FUSING EXIT:FRONT



67.D2414140
HOLDER:PRESSURE:FRONT:ASS'Y



66.D2414137
LEVER:PRESSURE:FRONT:PEEN



59.D2414024
HOLDER:DRIVEN ROLLER:FUSING EXIT:REAR



56.D1494235
(x15)
STEPPED SCREW: M3



68.D2414155
HOLDER:PRESSURE:REAR:ASS'Y



69.D2414160
LEVER:PRESSURE:REAR:PEEN



65.D2414123
DISCHARGE BRUSH:PRESSURE ROLLER



62.D2414113
BRACKET:THERMOSTAT:PRESSURE ROLLER

64.D2414122
INNER COVER:PRESSURE ROLLER:FRONT

76.D2414252
FUSING ENTRANCE GUIDE PLATE

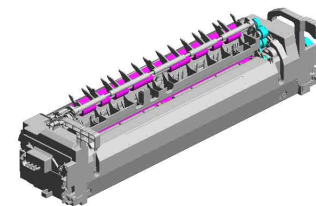
57.D1494335
ELECTRODE PLATE:CONNECTING:THERMOSTAT

63.D2414121
INNER COVER:PRESSURE ROLLER:REAR



U011_S001
(EU/AA/KOR/CHN):FUSING UNIT:220/240V

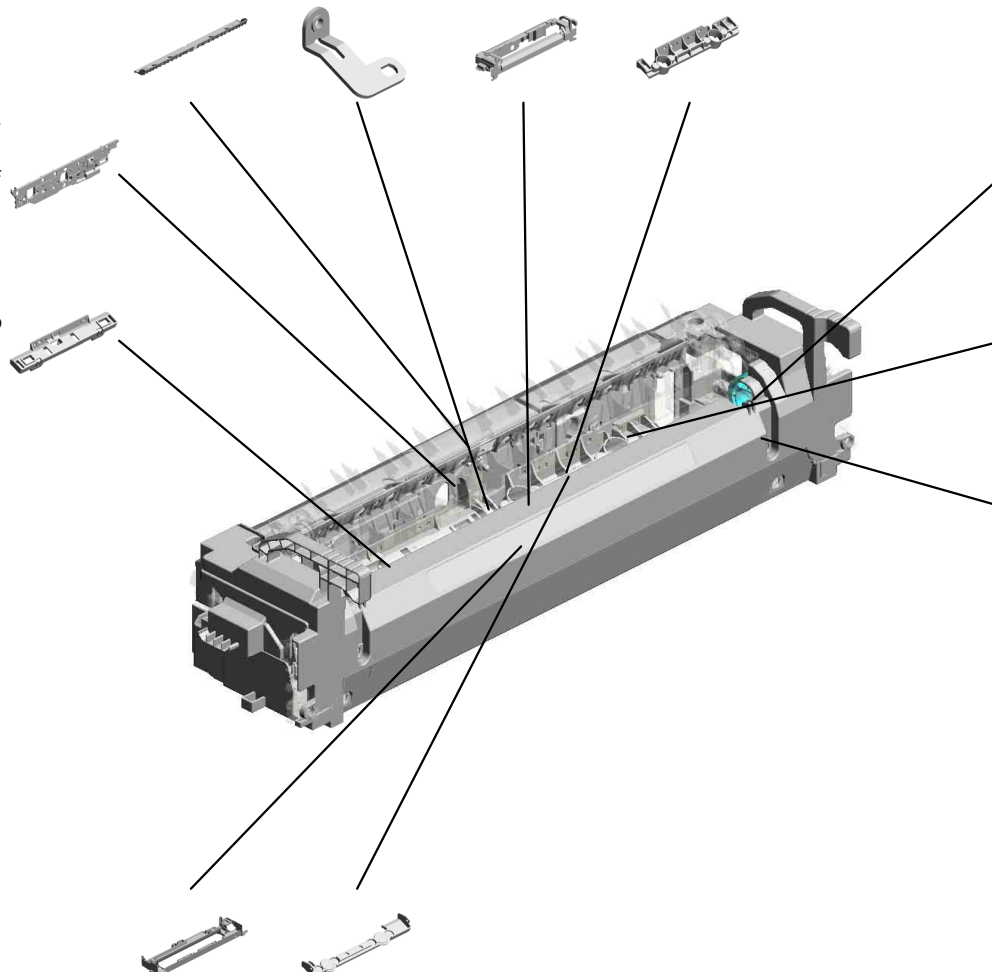
101.D2414108 GUIDE:FUSING EXIT:LEFT 201802-05 O/O
 82.D2414338 TERMINAL:THERMOSTAT:HEATER
 77.D2414261 FUSING COVER:UPPER
 79.D2414332 HOUSING:THERMOSTAT



106.D2424056
 [A]
 (EU/AA/KOR/CHN):
 FUSING UNIT:220/240V
 201807-03 O/O

78.D0BQ4317
 GUIDE:HARNESS:DRAWER:PRESS FIT
 202101-02 O/O

83.D2414342
 HOUSING:NON-CONTACT TYPE THERMISTOR



100.AB012119
 GEAR:PRESSURE ROLLER
 201802-02 X/O

81.D2414337
 TERMINAL:THERMOSTAT:DRAWER

103.AB012120
 GEAR:IDLER:PRESSURE ROLLER
 201803-01 X/O

93.D2424262
 FUSING COVER:LOWER

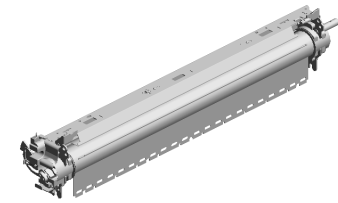
80.D2414334
 COVER:HOUSING:THERMOSTAT



D2424022
 [A]
 (EU/AA/KOR/CHN):
 FUSING UNIT:220/240V
 201807-03 O/O

U011_S001_S001
(EU/AA/KOR/CHN):SLEEVE:FUSING:220/240V

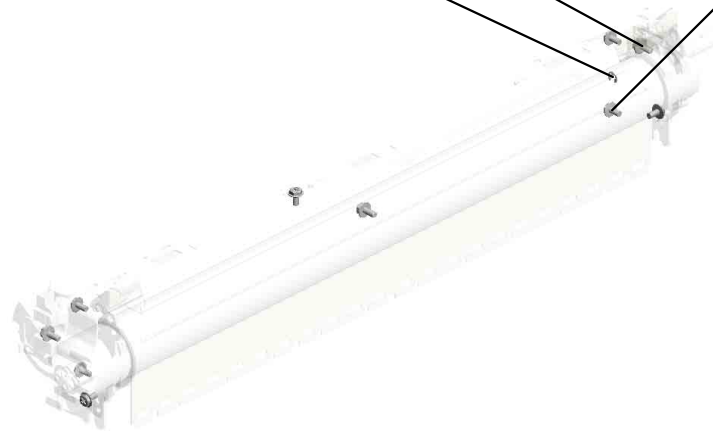
4.07200025E 10.08046123
RETAINING RING - (x3)
M2.5 HEXAGONAL BOLT
:WASHER:M3X8



91.D2424042
(EU/AA/KOR/CHN):
SLEEVE:FUSING:2
20/240V



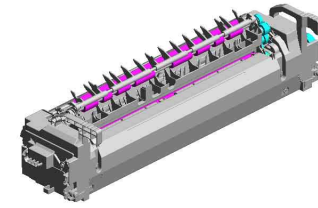
11.08046129
(x7)
HEXAGON HEAD B
OLT:IB-LOCK:M3X6



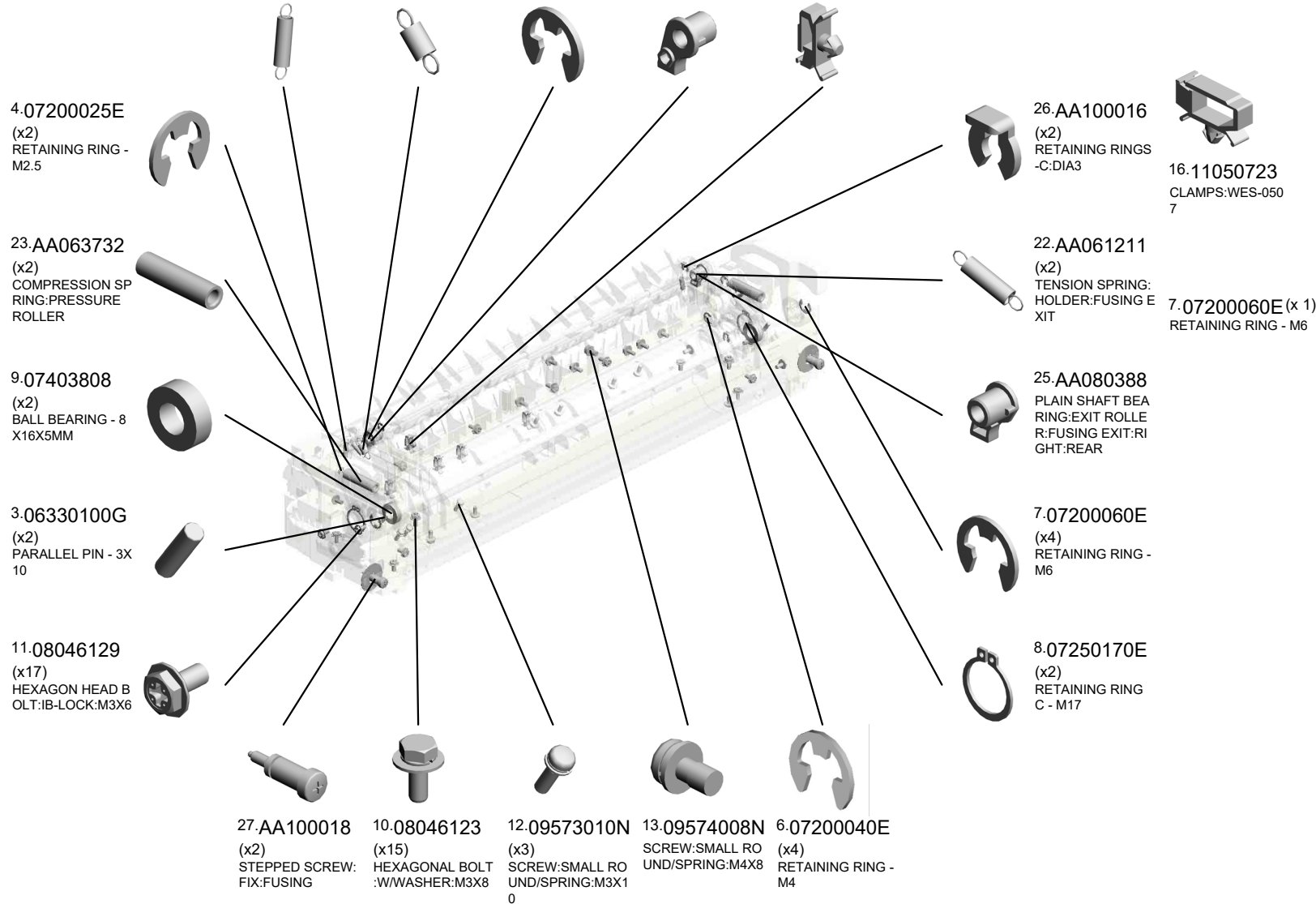
U001	U002	U003	U004	U005	U006	U007	U008	U009	U010	U011	U012	U013	U014	U015	U016	U017	U018
------	------	------	------	------	------	------	------	------	------	------	------	------	------	------	------	------	------

U011_S002
(EU/AA/KOR/CHN):FUSING UNIT:220/240V

- 20.AA061208 (x2) TENSION SPRING: STRIPPER PLATE
- 21.AA061209 TENSION SPRING: GATE PAWL
- 5.07200030E (x3) RETAINING RING - M3
- 24.AA080387 PLAIN SHAFT BEARING:EXIT ROLLER:FUSING EXIT:RIGHT:FRONT
- 15.11050713 (x5) CLAMP:LWSM-030 6H GRAY



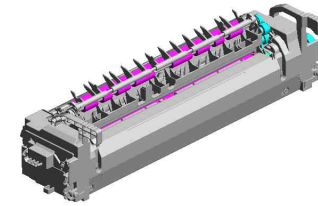
106-D2424056
[A]
(EU/AA/KOR/CHN):
FUSING UNIT:220/240V
201807-03 O/O



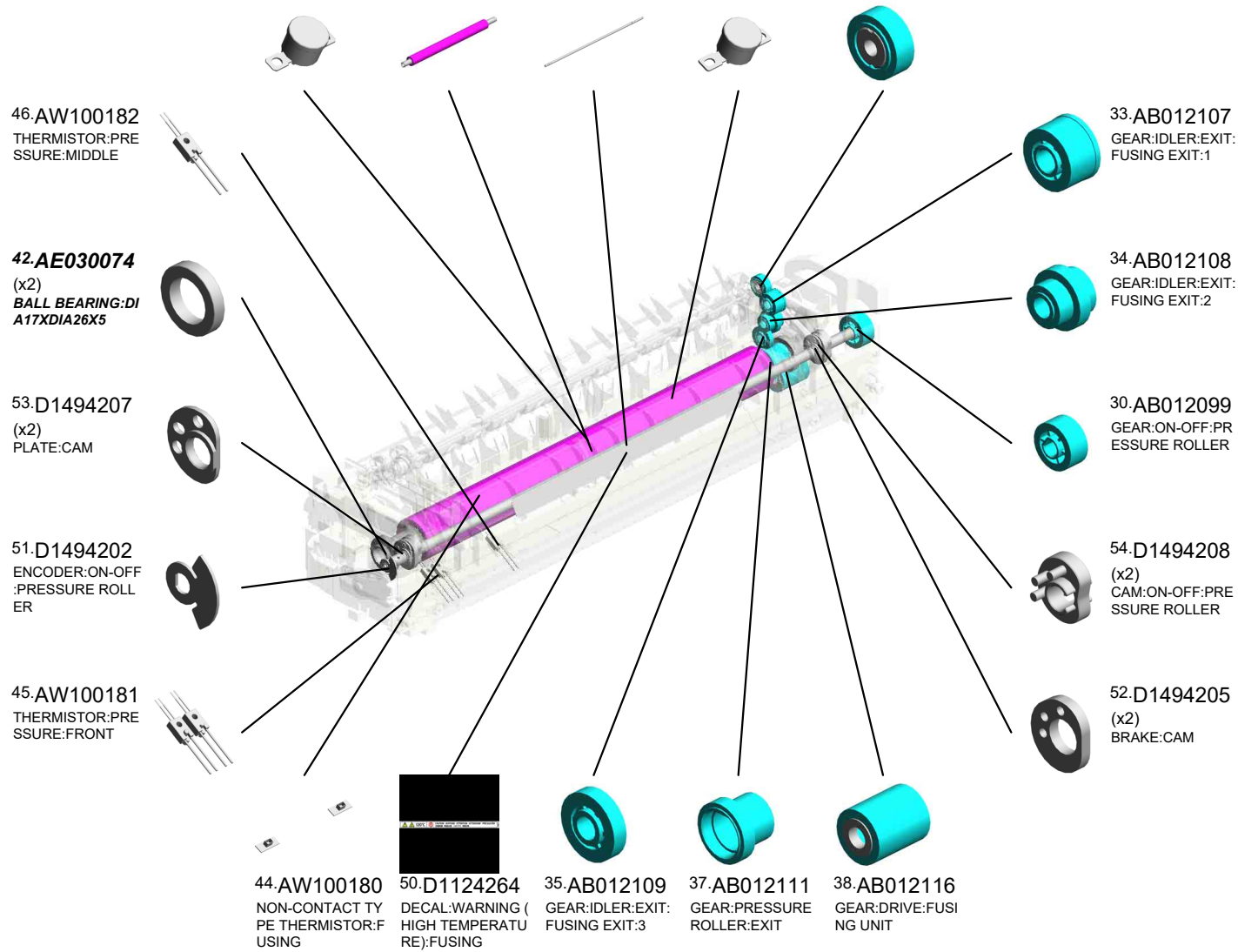
U001	U002	U003	U004	U005	U006	U007	U008	U009	U010	U011	U012	U013	U014	U015	U016	U017	U018
------	------	------	------	------	------	------	------	------	------	------	------	------	------	------	------	------	------

U011_S002
(EU/AA/KOR/CHN):FUSING UNIT:220/240V

- 48.AW110111 THERMOSTAT:MIDDLE
- 41.**AE020261** **PRESSURE ROLLER**
R:DIA32
201911-08 O/O
- 55.D1494209 SHAFT:ON-OFF:PRESSURE ROLLER
- 49.AW110112 THERMOSTAT:REAR
- 36.AB012110 GEAR:EXIT ROLLER:FUSING EXIT:RIGHT



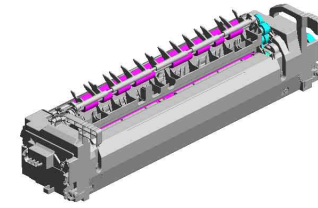
106.D2424056
[A]
(EU/AA/KOR/CHN):
FUSING UNIT:220/240V
201807-03 O/O



U001	U002	U003	U004	U005	U006	U007	U008	U009	U010	U011	U012	U013	U014	U015	U016	U017	U018
------	------	------	------	------	------	------	------	------	------	------	------	------	------	------	------	------	------

U011_S002
(EU/AA/KOR/CHN):FUSING UNIT:220/240V

- 75.D2414221 STRIPPER PLATE:FUSING EXIT:ASS'Y
- 60.D0BQ4102 DRIVEN ROLLER:FUSING EXIT:ASS'Y
- 71.D0BQ4214 EXIT ROLLER:FUSING EXIT:RIGHT
- 70.D2414212 GATE PAWL:FUSING EXIT
- 72.D2414215 GUIDE:FUSING EXIT:RIGHT:ASS'Y



106.D2424056
[A]
(EU/AA/KOR/CHN):
FUSING UNIT:220/240V
201807-03 O/O

74.D2414219
DECAL:C:GUIDE PLATE:FUSING EXIT



73.D0BQ4218
LINK:GATE PAWL:FUSING EXIT



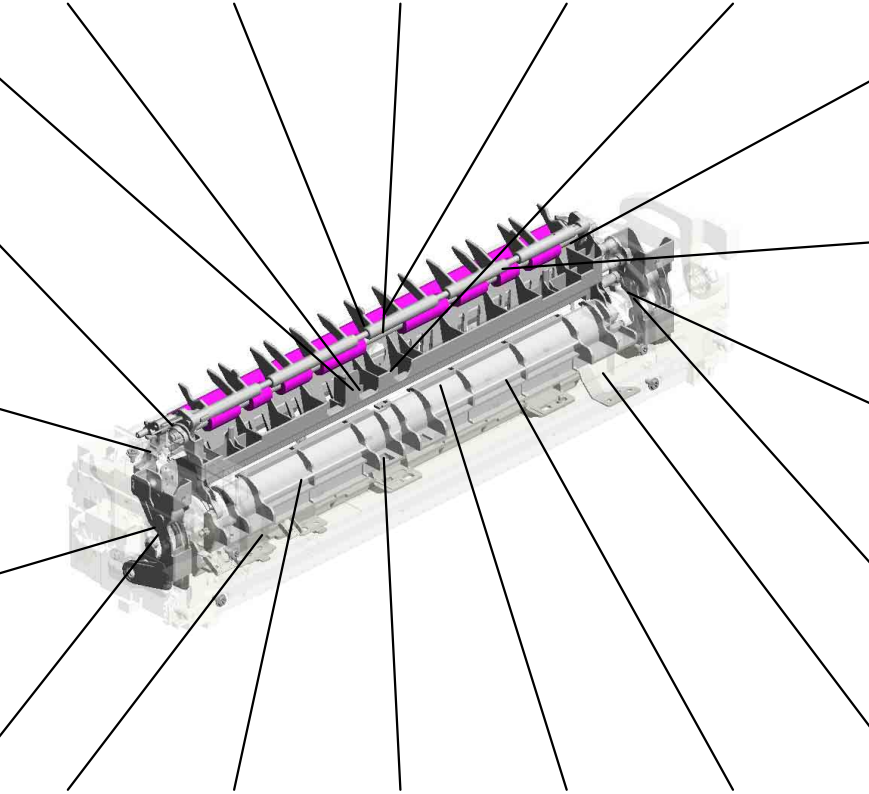
58.D2414023
HOLDER:DRIVEN ROLLER:FUSING EXIT:FRONT



67.D2414140
HOLDER:PRESSURE:FRONT:ASS'Y



66.D2414137
LEVER:PRESSURE:FRONT:PEEN



59.D2414024
HOLDER:DRIVEN ROLLER:FUSING EXIT:REAR



56.D1494235
(x15)
STEPPED SCREW:M3



68.D2414155
HOLDER:PRESSURE:REAR:ASS'Y



69.D2414160
LEVER:DRIVEN ROLLER:REAR:PEEN



65.D2414123
DISCHARGE BRUSH:PRESSURE ROLLER



62.D2414113
BRACKET:THERMOSTAT:PRESSURE ROLLER

64.D2414122
INNER COVER:PRESSURE ROLLER:FRONT

76.D2414252
FUSING ENTRANCE GUIDE PLATE

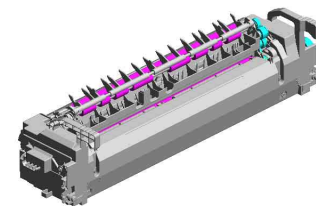
57.D1494335
ELECTRODE PLATE:CONNECTING:THERMOSTAT

63.D2414121
INNER COVER:PRESSURE ROLLER:REAR



U011_S002
(EU/AA/KOR/CHN):FUSING UNIT:220/240V

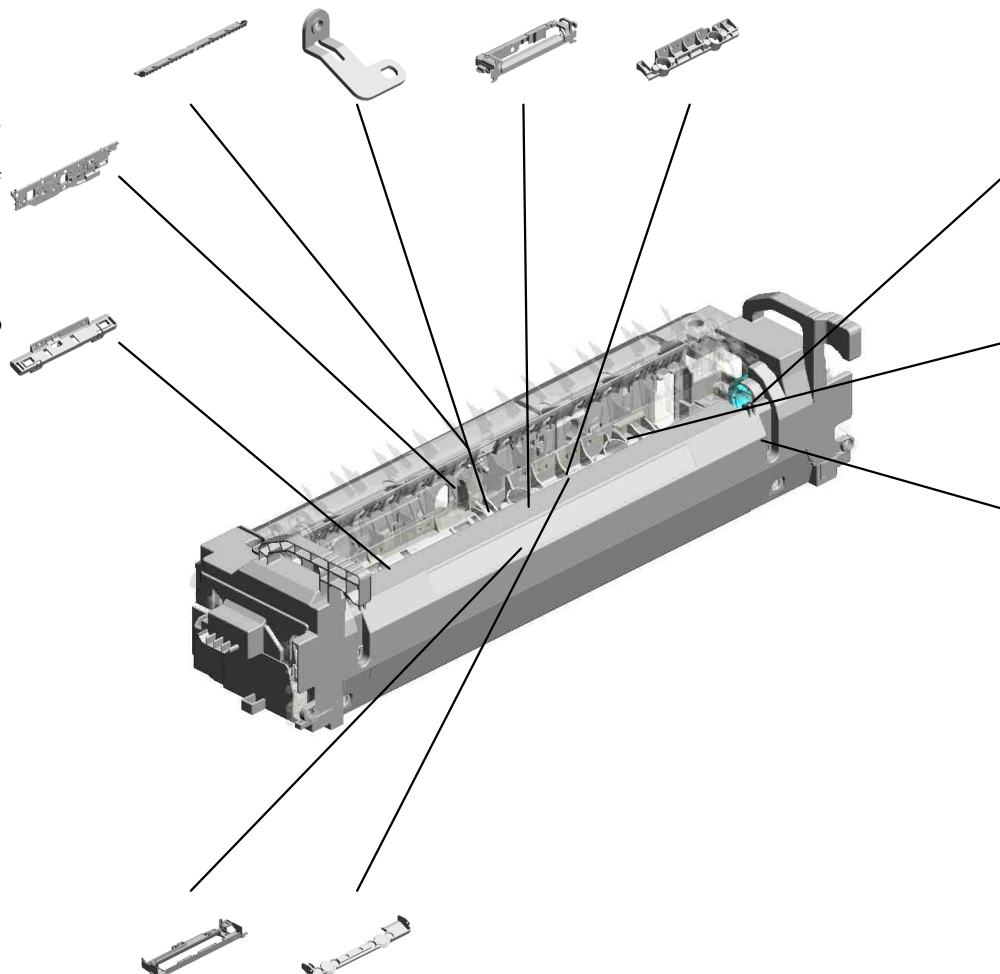
101.D2414108 GUIDE:FUSING EXIT:LEFT 201802-05 O/O
 82.D2414338 TERMINAL:THERMOSTAT:HEATER
 77.D2414261 FUSING COVER:UPPER
 79.D2414332 HOUSING:THERMOSTAT



106.D2424056
 [A]
 (EU/AA/KOR/CHN):
 FUSING UNIT:220/240V
 201807-03 O/O

78.D0BQ4317
 GUIDE:HARNESS:DRAWER:PRESS FIT
 202101-02 O/O

83.D2414342
 HOUSING:NON-CONTACT TYPE THERMISTOR



100.AB012119
 GEAR:PRESSURE ROLLER
 201802-02 X/O

81.D2414337
 TERMINAL:THERMOSTAT:DRAWER

103.AB012120
 GEAR:IDLER:PRESSURE ROLLER
 201803-01 X/O

93.D2424262
 FUSING COVER:LOWER

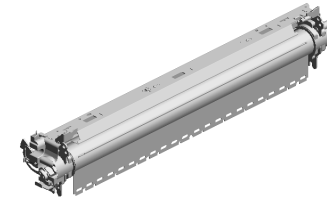
80.D2414334
 COVER:HOUSING:THERMOSTAT



D2424022
 [A]
 (EU/AA/KOR/CHN):
 FUSING UNIT:220/240V
 201807-03 O/O

U011_S002_S001
(EU/AA/KOR/CHN):SLEEVE:FUSING:220/240V

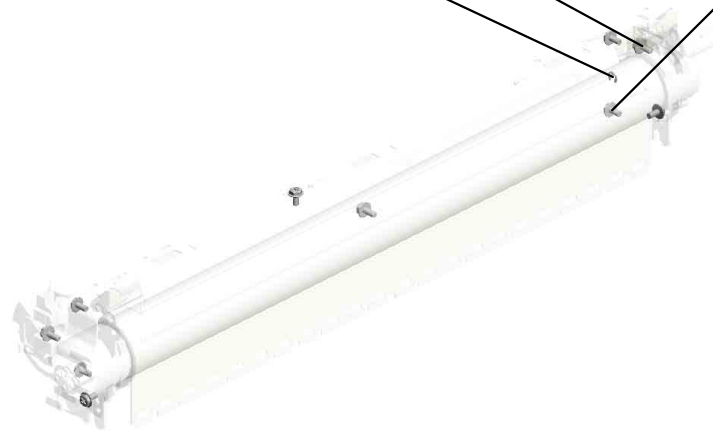
4.07200025E 10.08046123
RETAINING RING - (x3)
M2.5 HEXAGONAL BOLT
:WASHER:M3X8



91.D2424042
(EU/AA/KOR/CHN):
SLEEVE:FUSING:2
20/240V



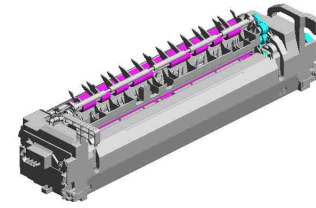
11.08046129
(x7)
HEXAGON HEAD B
OLT:IB-LOCK:M3X6



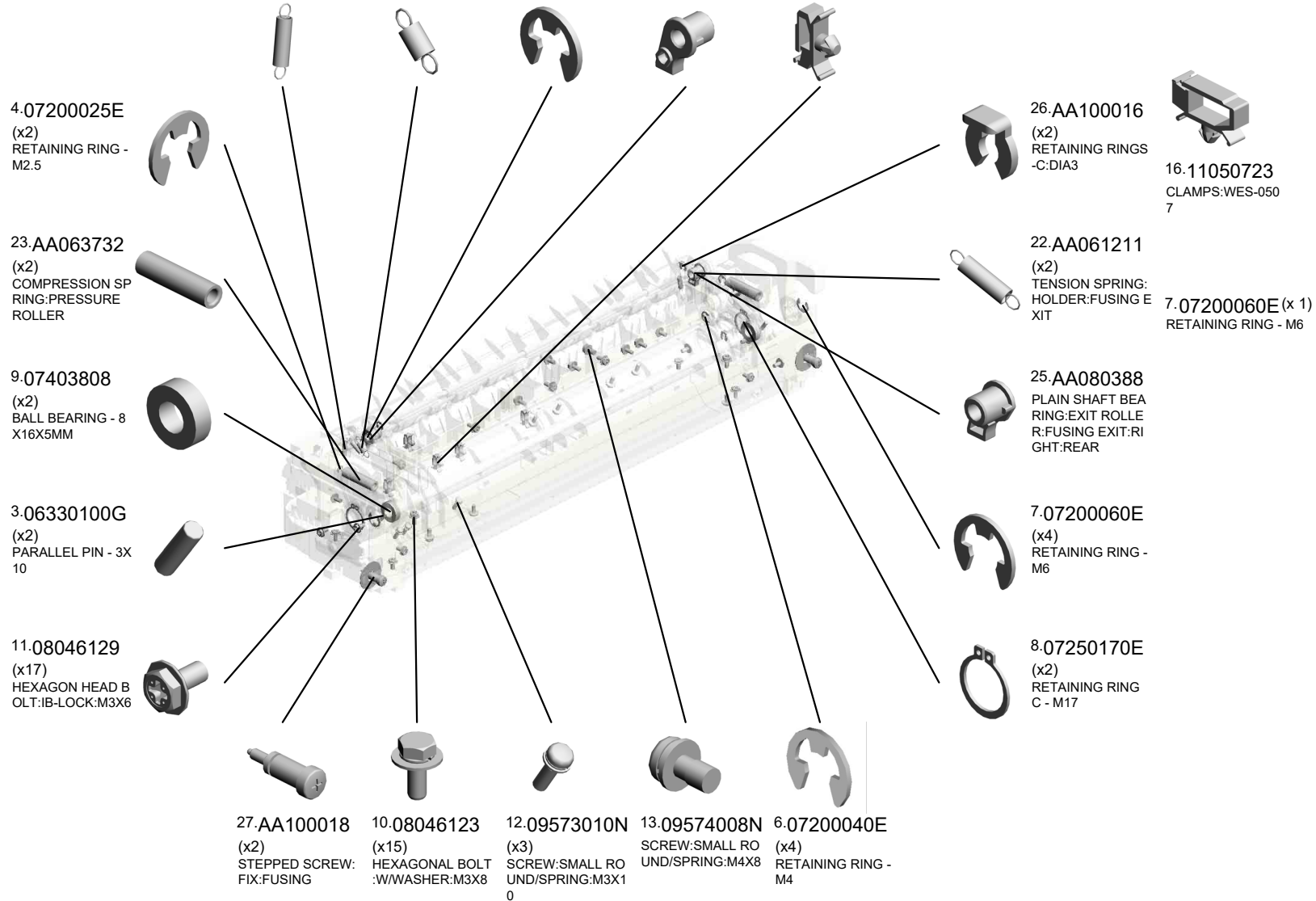
U001	U002	U003	U004	U005	U006	U007	U008	U009	U010	U011	U012	U013	U014	U015	U016	U017	U018
------	------	------	------	------	------	------	------	------	------	------	------	------	------	------	------	------	------

U011_S003
(EU/AA/KOR/CHN):FUSING UNIT:220/240V

- 20.AA061208 (x2) TENSION SPRING: STRIPPER PLATE
- 21.AA061209 TENSION SPRING: GATE PAWL
- 5.07200030E (x3) RETAINING RING - M3
- 24.AA080387 PLAIN SHAFT BEARING:EXIT ROLLER:FUSING EXIT:RIGHT:FRONT
- 15.11050713 (x5) CLAMP:LWSM-030 6H GRAY



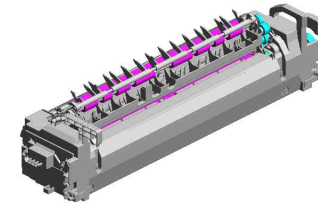
106-D2424056
[A]
(EU/AA/KOR/CHN):
FUSING UNIT:220/240V
201807-03 O/O



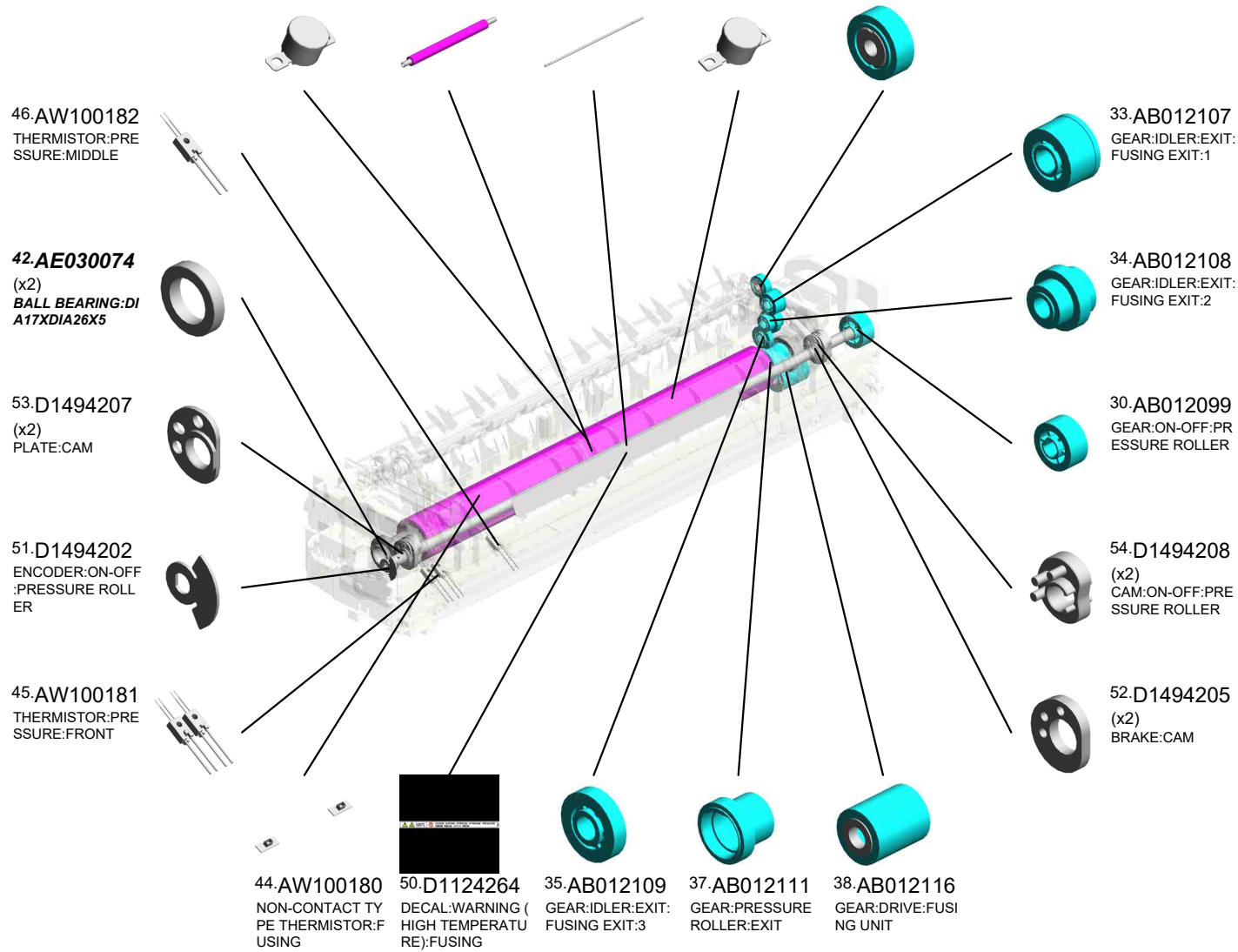
U001	U002	U003	U004	U005	U006	U007	U008	U009	U010	U011	U012	U013	U014	U015	U016	U017	U018
------	------	------	------	------	------	------	------	------	------	------	------	------	------	------	------	------	------

U011_S003
(EU/AA/KOR/CHN):FUSING UNIT:220/240V

- 48.AW110111 THERMOSTAT:MIDDLE
- 41.**AE020261** **PRESSURE ROLLER**
R:DIA32
201911-08 O/O
- 55.D1494209 SHAFT:ON-OFF:PRESSURE ROLLER
- 49.AW110112 THERMOSTAT:REAR
- 36.AB012110 GEAR:EXIT ROLLER:FUSING EXIT:RIGHT



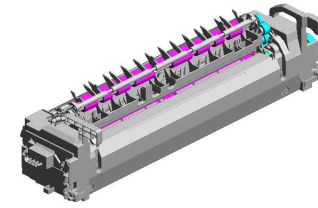
106.D2424056
[A]
(EU/AA/KOR/CHN):
FUSING UNIT:220/240V
201807-03 O/O



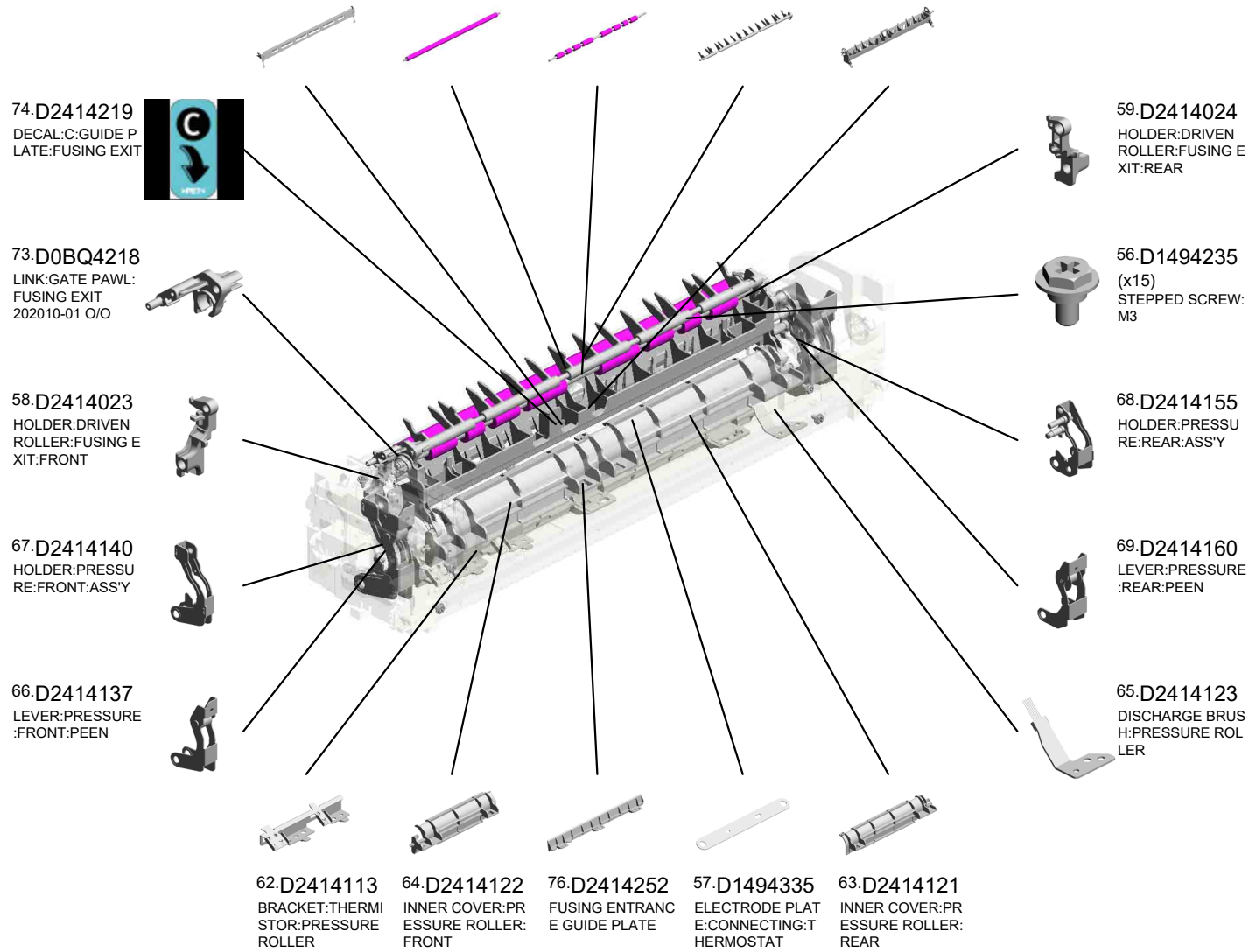
U001	U002	U003	U004	U005	U006	U007	U008	U009	U010	U011	U012	U013	U014	U015	U016	U017	U018
------	------	------	------	------	------	------	------	------	------	------	------	------	------	------	------	------	------

U011_S003
(EU/AA/KOR/CHN):FUSING UNIT:220/240V

- 75.D2414221 STRIPPER PLATE: FUSING EXIT:ASS'Y 201911-06 O/O
- 60.D0BQ4102 DRIVEN ROLLER:F USING EXIT:ASS'Y 201911-06 O/O
- 71.D0BQ4214 EXIT ROLLER:FUSI NG EXIT:RIGHT 201911-07 O/O
- 70.D2414212 GATE PAWL:FUSIN G EXIT
- 72.D2414215 GUIDE:FUSING EXI T:RIGHT:ASS'Y



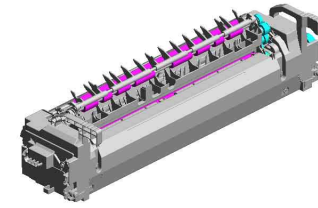
106.D2424056
[A]
(EU/AA/KOR/CHN):
FUSING UNIT:220/2
40V
201807-03 O/O



U001	U002	U003	U004	U005	U006	U007	U008	U009	U010	U011	U012	U013	U014	U015	U016	U017	U018
------	------	------	------	------	------	------	------	------	------	------	------	------	------	------	------	------	------

U011_S003
(EU/AA/KOR/CHN):FUSING UNIT:220/240V

101.D2414108 GUIDE:FUSING EXIT:LEFT 201802-05 O/O
 82.D2414338 TERMINAL:THERMOSTAT:HEATER
 77.D2414261 FUSING COVER:UPPER

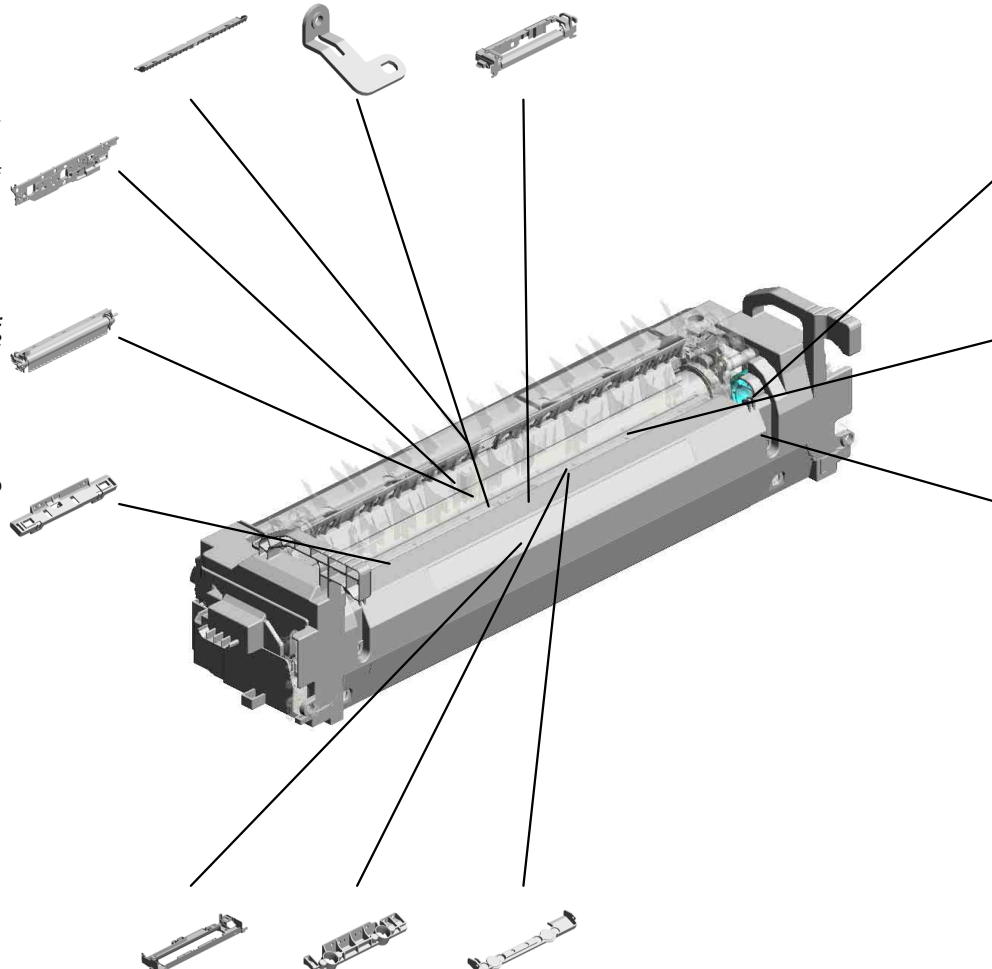


106.D2424056
 [A]
 (EU/AA/KOR/CHN):
 FUSING UNIT:220/240V
 201807-03 O/O

78.D0BQ4317
 GUIDE:HARNESS:DRAWER:PRESS FIT
 202101-02 O/O

91.D2424042
 (EU/AA/KOR/CHN):
 SLEEVE:FUSING:220/240V

83.D2414342
 HOUSING:NON-CONTACT TYPE THERMISTOR



100.AB012119
 GEAR:PRESSURE ROLLER
 201802-02 X/O

81.D2414337
 TERMINAL:THERMOSTAT:DRAWER

103.AB012120
 GEAR:IDLER:PRESSURE ROLLER
 201803-01 X/O

93.D2424262 FUSING COVER:LOWER
 79.D2414332 HOUSING:THERMOSTAT
 80.D2414334 COVER:HOUSING:THERMOSTAT

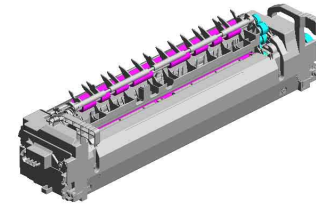


D2424022
 [A]
 (EU/AA/KOR/CHN):
 FUSING UNIT:220/240V
 201807-03 O/O

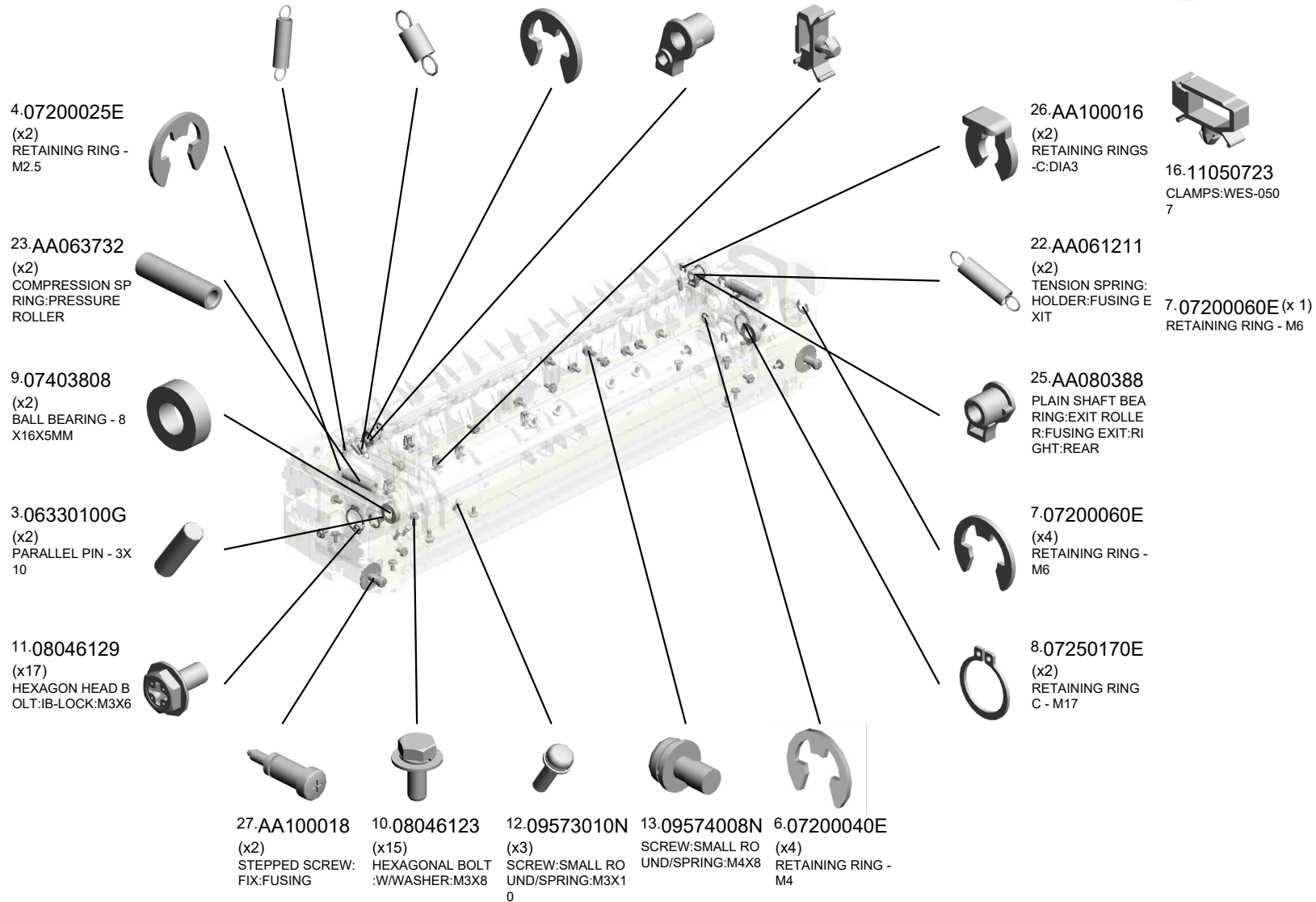
U001	U002	U003	U004	U005	U006	U007	U008	U009	U010	U011	U012	U013	U014	U015	U016	U017	U018
------	------	------	------	------	------	------	------	------	------	------	------	------	------	------	------	------	------

U011_S004
(NA/LA):FUSING UNIT:120V

- 20.AA061208 (x2) TENSION SPRING: STRIPPER PLATE
- 21.AA061209 TENSION SPRING: GATE PAWL
- 5.07200030E (x3) RETAINING RING - M3
- 24.AA080387 PLAIN SHAFT BEARING:EXIT ROLLER:FUSING EXIT:RIGHT:FRONT
- 15.11050713 (x5) CLAMP:LWSM-030 6H GRAY



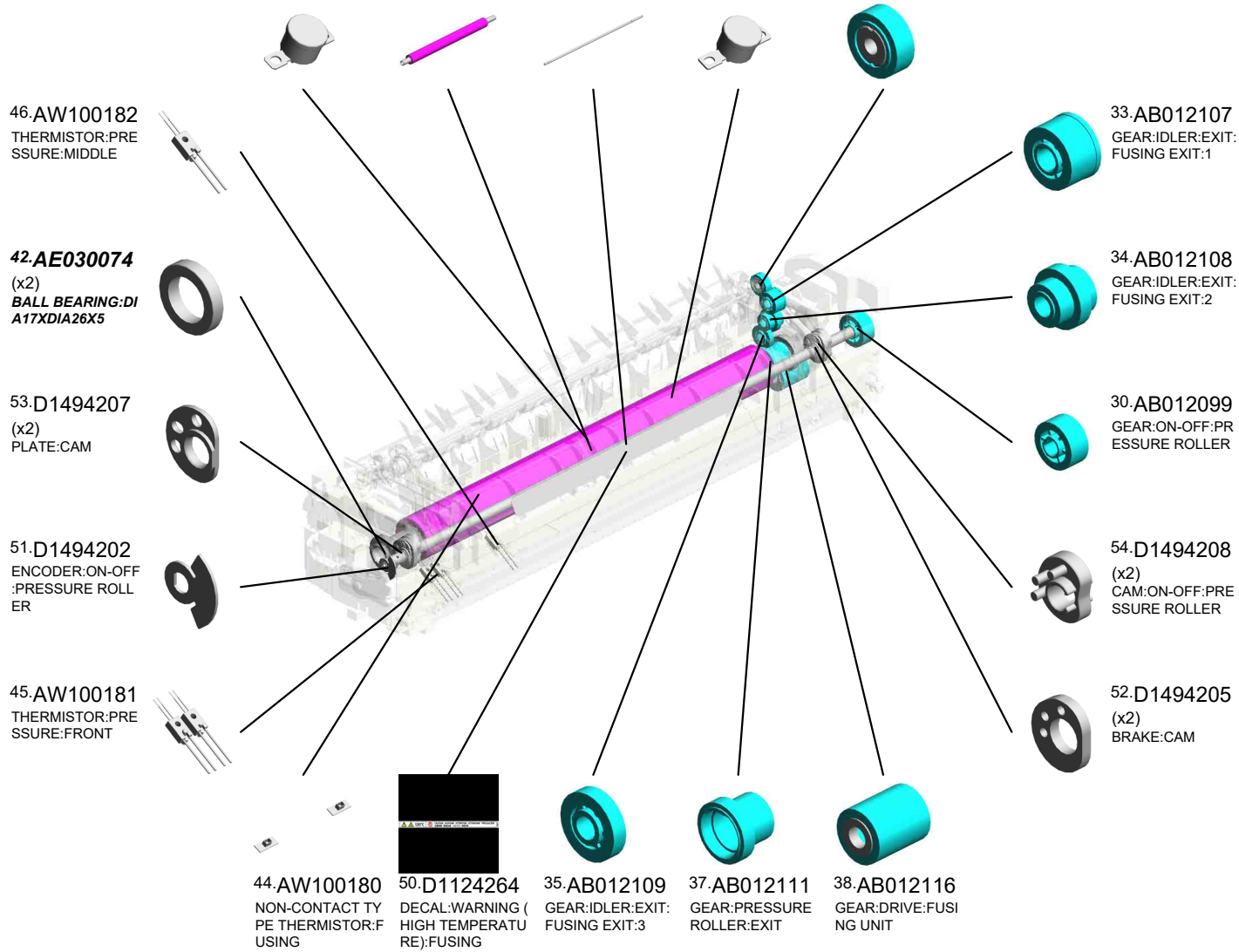
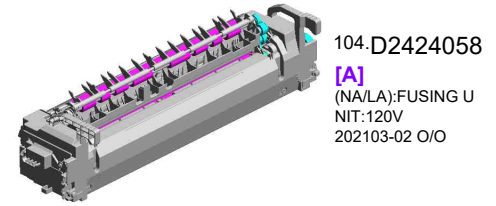
104-D2424058
[A]
(NA/LA):FUSING UNIT:120V
202103-02 O/O



U001	U002	U003	U004	U005	U006	U007	U008	U009	U010	U011	U012	U013	U014	U015	U016	U017	U018
------	------	------	------	------	------	------	------	------	------	------	------	------	------	------	------	------	------

U011_S004
(NA/LA):FUSING UNIT:120V

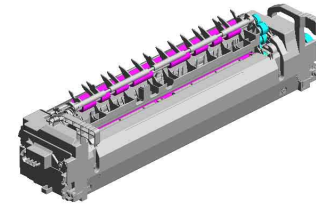
- 48.AW110111 THERMOSTAT:MIDDLE
- 41.**AE020261** **PRESSURE ROLLER:DIA32**
201911-08 O/O
- 55.D1494209 SHAFT:ON-OFF:PRESSURE ROLLER
- 49.AW110112 THERMOSTAT:REAR
- 36.AB012110 GEAR:EXIT ROLLER:FUSING EXIT:RIGHT



U001	U002	U003	U004	U005	U006	U007	U008	U009	U010	U011	U012	U013	U014	U015	U016	U017	U018
------	------	------	------	------	------	------	------	------	------	------	------	------	------	------	------	------	------

U011_S004
(NA/LA):FUSING UNIT:120V

- 75.D2414221 STRIPPER PLATE: FUSING EXIT:ASS'Y
- 60.D0BQ4102 DRIVEN ROLLER:FUSING EXIT:ASS'Y
- 71.D0BQ4214 EXIT ROLLER:FUSING EXIT:RIGHT
- 70.D2414212 GATE PAWL:FUSING EXIT
- 72.D2414215 GUIDE:FUSING EXIT:RIGHT:ASS'Y



- 104.D2424058 (A) (NA/LA):FUSING UNIT:120V
- 202103-02 O/O

- 74.D2414219 DECAL:C:GUIDE PLATE:FUSING EXIT



- 73.D0BQ4218 LINK:GATE PAWL:FUSING EXIT
- 202010-01 O/O



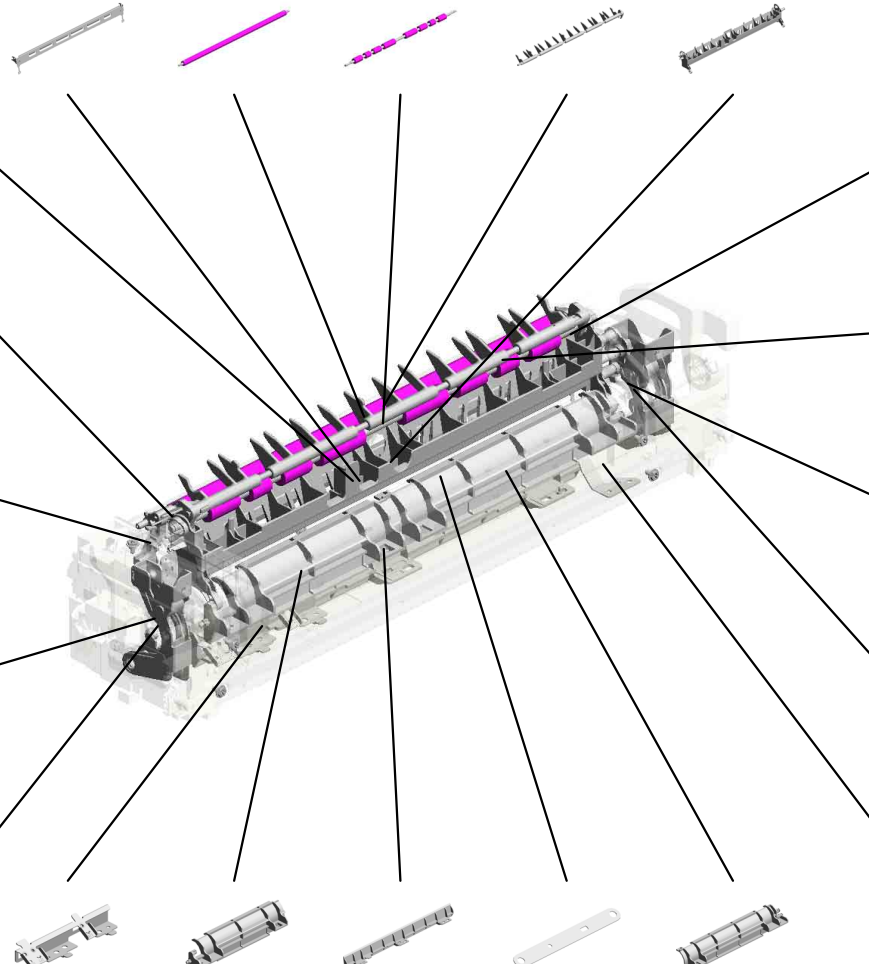
- 58.D2414023 HOLDER:DRIVEN ROLLER:FUSING EXIT:FRONT



- 67.D2414140 HOLDER:PRESSURE:FRONT:ASS'Y



- 66.D2414137 LEVER:PRESSURE:FRONT:PEEN



- 59.D2414024 HOLDER:DRIVEN ROLLER:FUSING EXIT:REAR



- 56.D1494235 (x15) STEPPED SCREW:M3



- 68.D2414155 HOLDER:PRESSURE:REAR:ASS'Y



- 69.D2414160 LEVER:PRESSURE:REAR:PEEN



- 65.D2414123 DISCHARGE BRUSH:PRESSURE ROLLER



- 62.D2414113 BRACKET:THERMOSTOR:PRESSURE ROLLER
- 64.D2414122 INNER COVER:PRESSURE ROLLER:FRONT
- 76.D2414252 FUSING ENTRANCE GUIDE PLATE
- 57.D1494335 ELECTRODE PLATE:CONNECTING:THERMOSTAT
- 63.D2414121 INNER COVER:PRESSURE ROLLER:REAR

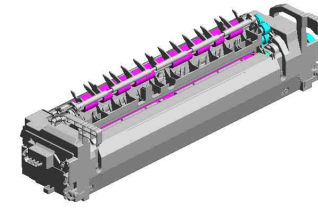
U001	U002	U003	U004	U005	U006	U007	U008	U009	U010	U011	U012	U013	U014	U015	U016	U017	U018
------	------	------	------	------	------	------	------	------	------	------	------	------	------	------	------	------	------

U011_S004
(NA/LA):FUSING UNIT:120V

101.D2414108 GUIDE:FUSING EXIT:LEFT
201802-05 O/O

82.D2414338 TERMINAL:THERMOSTAT:HEATER

77.D2414261 FUSING COVER:UPPER

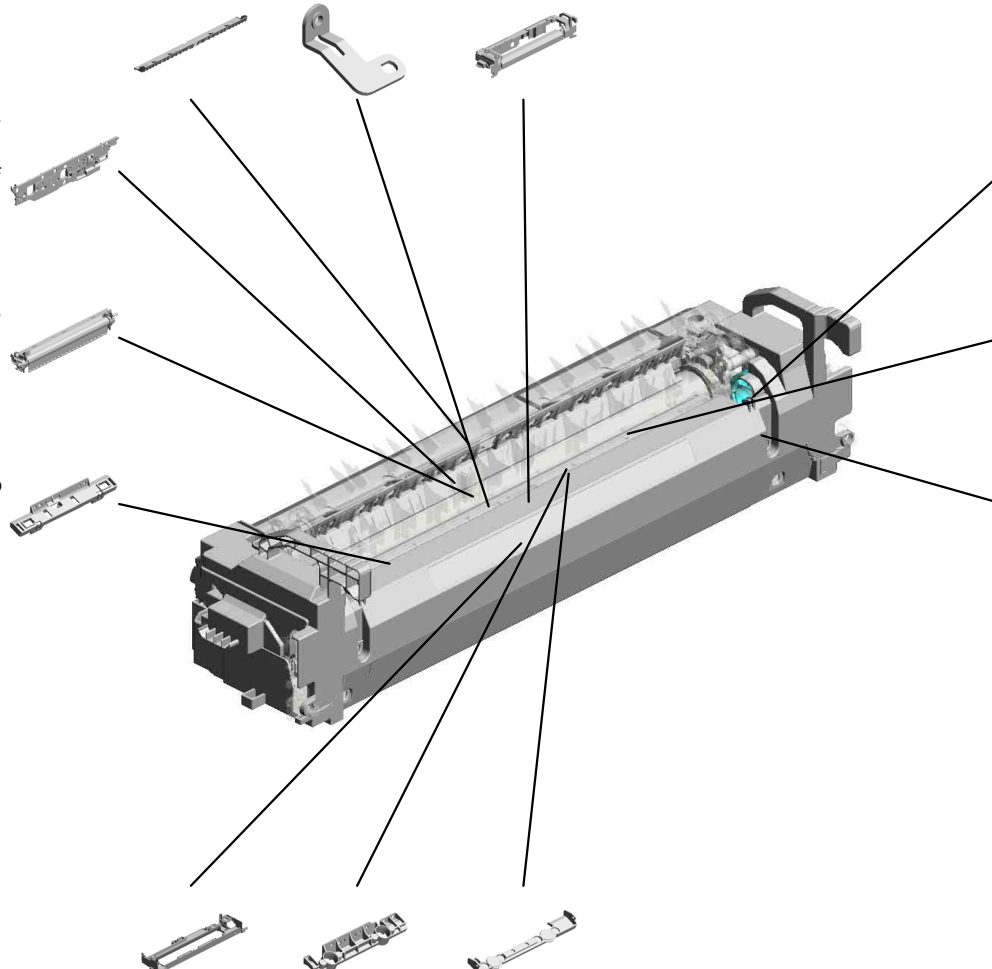


104.D2424058
[A]
(NA/LA):FUSING UNIT:120V
202103-02 O/O

78.D0BQ4317
GUIDE:HARNESSES:DRAWER:PRESS FIT
202101-02 O/O

90.D2424041
SLEEVE:FUSING:120V

83.D2414342
HOUSING:NON-CONTACT TYPE THERMISTOR



100.AB012119
GEAR:PRESSURE ROLLER
201802-02 X/O

81.D2414337
TERMINAL:THERMOSTAT:DRAWER

103.AB012120
GEAR:IDLER:PRESSURE ROLLER
201803-01 X/O

93.D2424262 FUSING COVER:LOWER

79.D2414332 HOUSING:THERMOSTAT

80.D2414334 COVER:HOUSING:THERMOSTAT

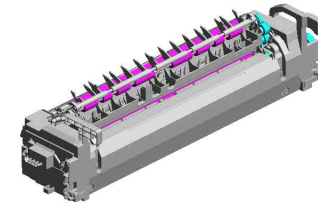


D2424055
[A]
(NA):FUSING UNIT:120V
202103-02 O/O

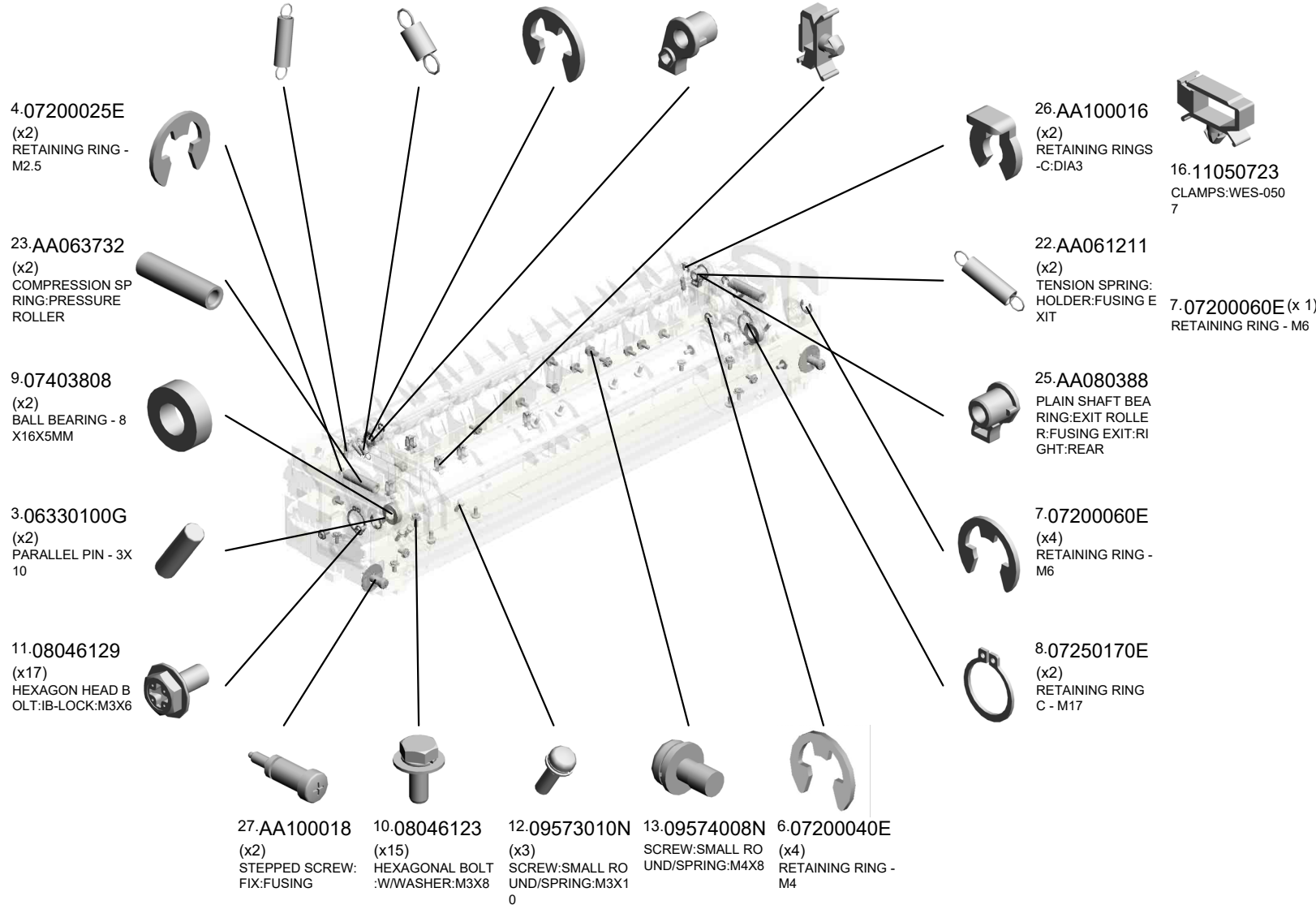
U001	U002	U003	U004	U005	U006	U007	U008	U009	U010	U011	U012	U013	U014	U015	U016	U017	U018
------	------	------	------	------	------	------	------	------	------	------	------	------	------	------	------	------	------

U011_S005
(TWN):FUSING UNIT:110V

- 20.AA061208 (x2) TENSION SPRING: STRIPPER PLATE
- 21.AA061209 TENSION SPRING: GATE PAWL
- 5.07200030E (x3) RETAINING RING - M3
- 24.AA080387 PLAIN SHAFT BEARING:EXIT ROLLER:FUSING EXIT:RIGHT:FRONT
- 15.11050713 (x5) CLAMP:LWSM-030 6H GRAY

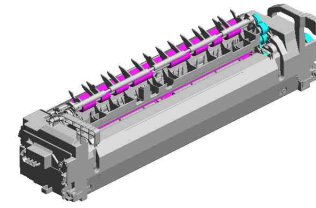


105-D2424057
[A]
(TWN):FUSING UNIT:110V
201806-01 O/O



U001	U002	U003	U004	U005	U006	U007	U008	U009	U010	U011	U012	U013	U014	U015	U016	U017	U018
------	------	------	------	------	------	------	------	------	------	------	------	------	------	------	------	------	------

U011_S005
(TWN):FUSING UNIT:110V



105.D2424057
[A]
(TWN):FUSING UNI
T:110V
201806-01 O/O

48.AW110111 THERMOSTAT:MIDDLE
41.AE020261 PRESSURE ROLLER:DIA32
55.D1494209 SHAFT:ON-OFF:PRESSURE ROLLER
49.AW110112 THERMOSTAT:REAR
36.AB012110 GEAR:EXIT ROLLER:FUSING EXIT:RIGHT

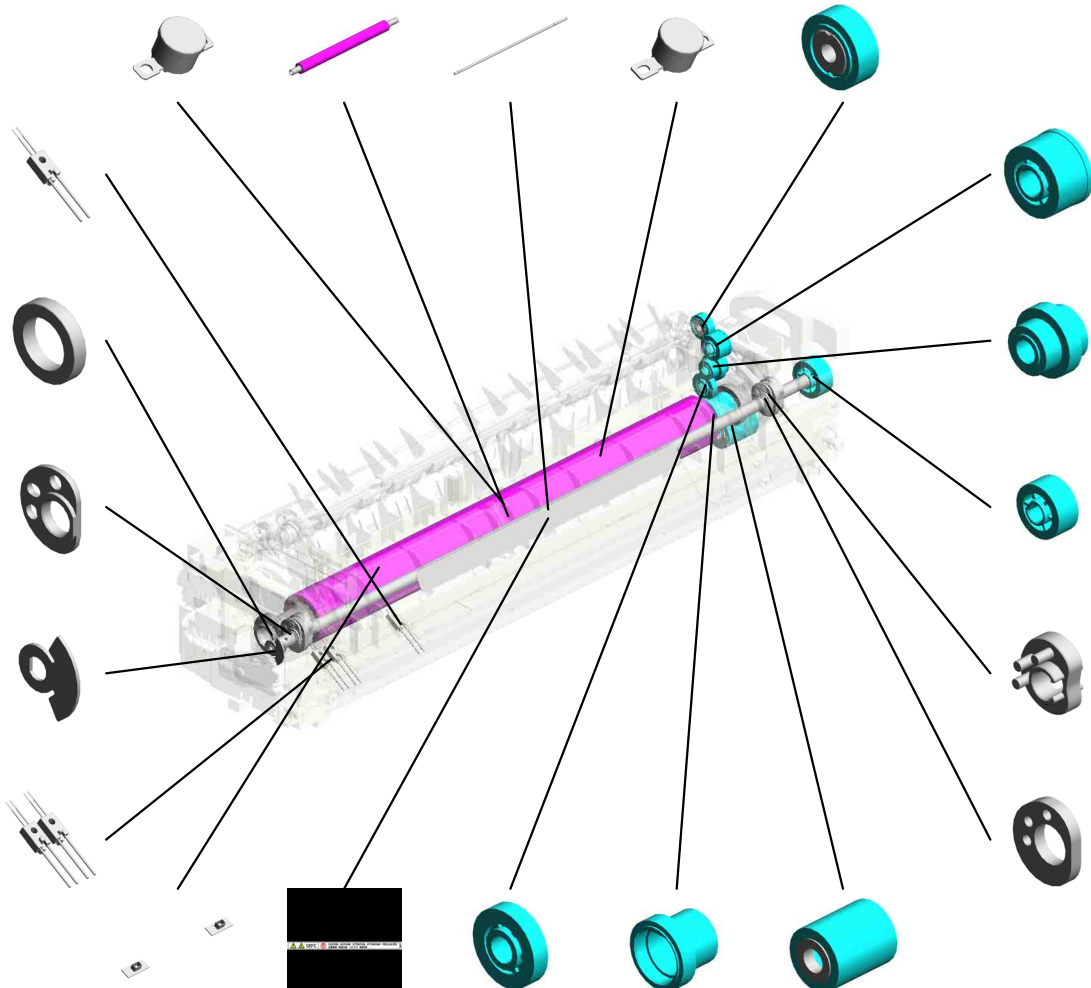
46.AW100182 THERMISTOR:PRESSURE:MIDDLE

42.AE030074 (x2) BALL BEARING:DIAMETER:17XDIAMETER:26XHEIGHT:5

53.D1494207 (x2) PLATE:CAM

51.D1494202 ENCODER:ON-OFF:PRESSURE ROLLER

45.AW100181 THERMISTOR:PRESSURE:FRONT



33.AB012107 GEAR:IDLER:EXIT:FUSING EXIT:1

34.AB012108 GEAR:IDLER:EXIT:FUSING EXIT:2

30.AB012099 GEAR:ON-OFF:PRESSURE ROLLER

54.D1494208 (x2) CAM:ON-OFF:PRESSURE ROLLER

52.D1494205 (x2) BRAKE:CAM

44.AW100180 NON-CONTACT TYPE THERMISTOR:FUSING
50.D1124264 DECAL:WARNING (HIGH TEMPERATURE):FUSING
35.AB012109 GEAR:IDLER:EXIT:FUSING EXIT:3
37.AB012111 GEAR:PRESSURE ROLLER:EXIT
38.AB012116 GEAR:DRIVE:FUSING UNIT

U001	U002	U003	U004	U005	U006	U007	U008	U009	U010	U011	U012	U013	U014	U015	U016	U017	U018
------	------	------	------	------	------	------	------	------	------	------	------	------	------	------	------	------	------

U011_S005
(TWN):FUSING UNIT:110V

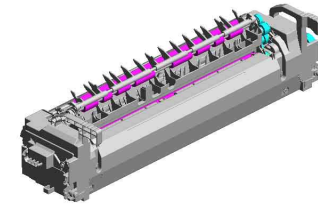
75.D2414221
STRIPPER PLATE:
FUSING EXIT:ASS'
Y

60.D0BQ4102
DRIVEN ROLLER:F
USING EXIT:ASS'Y
201911-06 O/O

71.D0BQ4214
EXIT ROLLER:FUSI
NG EXIT:RIGHT
201911-07 O/O

70.D2414212
GATE PAWL:FUSIN
G EXIT

72.D2414215
GUIDE:FUSING EXI
T:RIGHT:ASS'Y



105.D2424057
[A]
(TWN):FUSING UNI
T:110V
201806-01 O/O

74.D2414219
DECAL:C:GUIDE P
LATE:FUSING EXIT



73.D0BQ4218
LINK:GATE PAWL:
FUSING EXIT
202010-01 O/O



58.D2414023
HOLDER:DRIVEN
ROLLER:FUSING E
XIT:FRONT



67.D2414140
HOLDER:PRESSU
RE:FRONT:ASS'Y



66.D2414137
LEVER:PRESSURE
:FRONT:PEEN



62.D2414113
BRACKET:THERMI
STOR:PRESSURE
ROLLER

64.D2414122
INNER COVER:PR
ESSURE ROLLER:
FRONT

76.D2414252
FUSING ENTRANC
E GUIDE PLATE

57.D1494335
ELECTRODE PLAT
E:CONNECTING:T
HERMOSTAT

63.D2414121
INNER COVER:PR
ESSURE ROLLER:
REAR

59.D2414024
HOLDER:DRIVEN
ROLLER:FUSING E
XIT:REAR



56.D1494235
(x15)
STEPPED SCREW:
M3



68.D2414155
HOLDER:PRESSU
RE:REAR:ASS'Y



69.D2414160
LEVER:PRESSURE
:REAR:PEEN



65.D2414123
DISCHARGE BRUS
H:PRESSURE ROL
LER

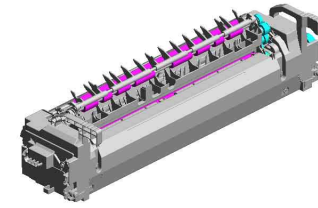


U011_S005
(TWN):FUSING UNIT:110V

101.D2414108 GUIDE:FUSING EXIT:LEFT
201802-05 O/O

82.D2414338 TERMINAL:THERMOSTAT:HEATER

77.D2414261 FUSING COVER:UPPER

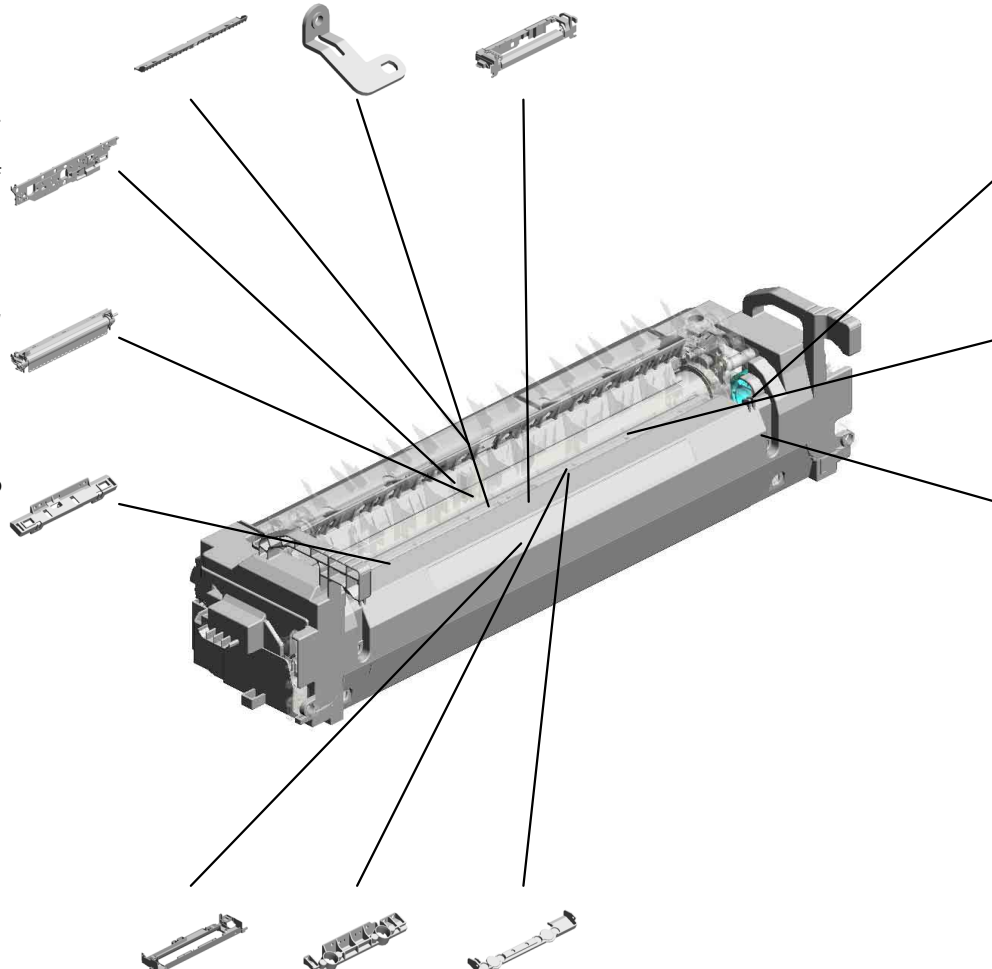


105.D2424057
[A]
(TWN):FUSING UNIT:110V
201806-01 O/O

78.D0BQ4317
GUIDE:HARNESSDRAWER:PRESS FIT
202101-02 O/O

92.D2424043
SLEEVE:FUSING:110V

83.D2414342
HOUSING:NON-CONTACT TYPE THERMISTOR



100.AB012119
GEAR:PRESSURE ROLLER
201802-02 X/O

81.D2414337
TERMINAL:THERMOSTAT:DRAWER

103.AB012120
GEAR:IDLER:PRESSURE ROLLER
201803-01 X/O

93.D2424262
FUSING COVER:LOWER

79.D2414332
HOUSING:THERMOSTAT

80.D2414334
COVER:HOUSING:THERMOSTAT

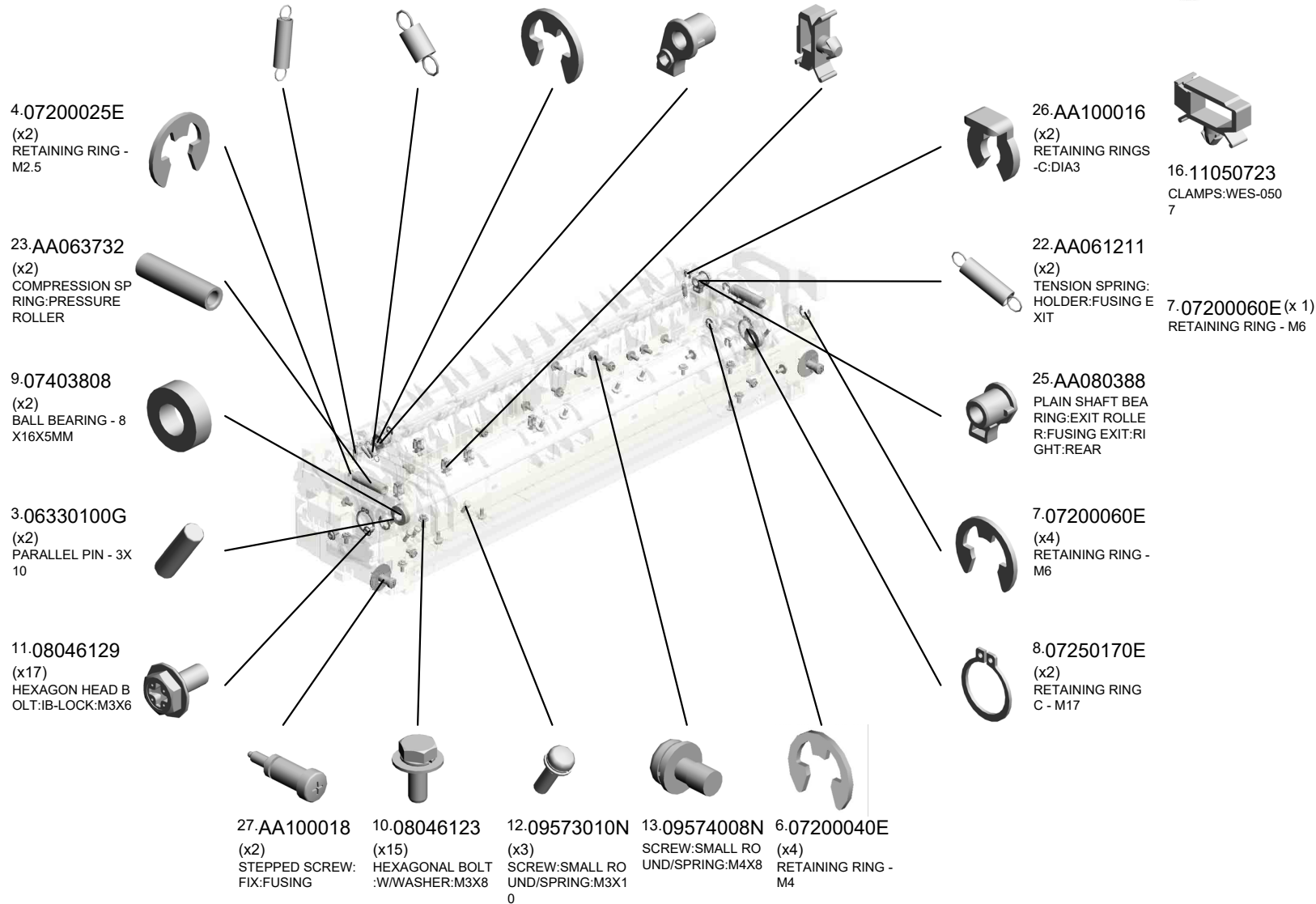
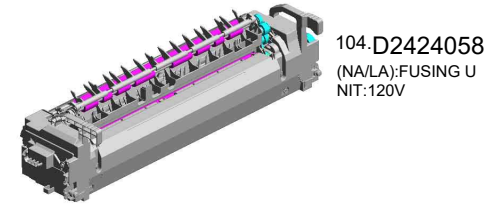


D2424023
[A]
(TWN):FUSING UNIT:110V
201806-01 O/O

U001	U002	U003	U004	U005	U006	U007	U008	U009	U010	U011	U012	U013	U014	U015	U016	U017	U018
------	------	------	------	------	------	------	------	------	------	------	------	------	------	------	------	------	------

U011_S006
(NA/LA):FUSING UNIT:120V

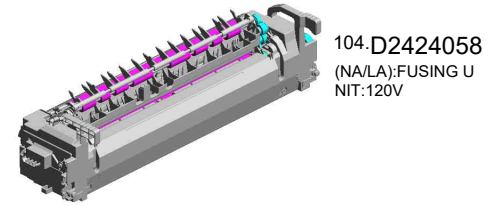
- 20.AA061208 (x2) TENSION SPRING: STRIPPER PLATE
- 21.AA061209 TENSION SPRING: GATE PAWL
- 5.07200030E (x3) RETAINING RING - M3
- 24.AA080387 PLAIN SHAFT BEARING:EXIT ROLLER:FUSING EXIT:RIGHT:FRONT
- 15.11050713 (x5) CLAMP:LWSM-030 6H GRAY



U001	U002	U003	U004	U005	U006	U007	U008	U009	U010	U011	U012	U013	U014	U015	U016	U017	U018
------	------	------	------	------	------	------	------	------	------	------	------	------	------	------	------	------	------

U011_S006
(NA/LA):FUSING UNIT:120V

- 44.AW100180 NON-CONTACT TYPE THERMISTOR:FUSING
- 48.AW110111 THERMOSTAT:MIDDLE
- 41.AE020261 **PRESSURE ROLLER:DIA32**
- 49.AW110112 THERMOSTAT:REAR
- 36.AB012110 GEAR:EXIT ROLLER:FUSING EXIT:RIGHT



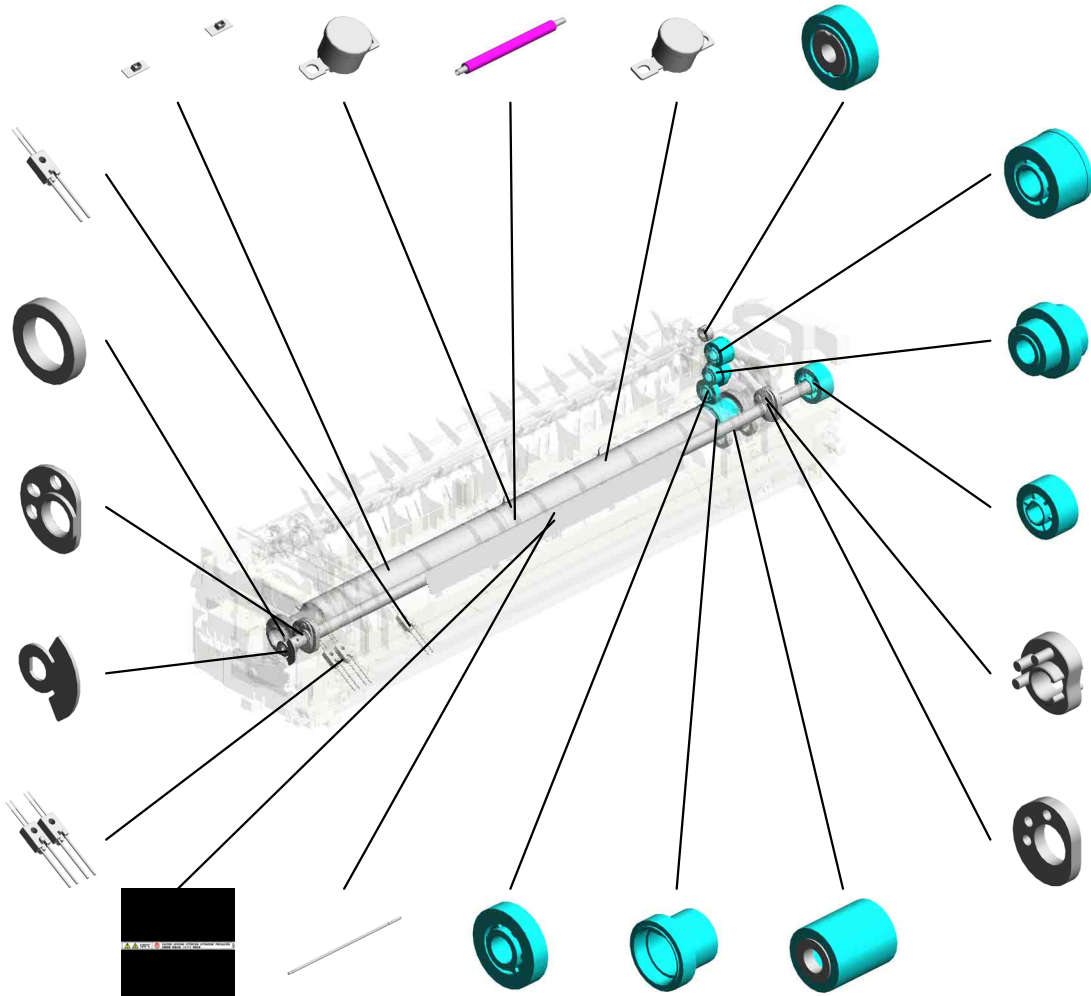
46.AW100182
THERMISTOR:PRESSURE:MIDDLE

42.AE030074
(x2)
BALL BEARING:DIA17XDIA26X5

53.D1494207
(x2)
PLATE:CAM

51.D1494202
ENCODER:ON-OFF:PRESSURE ROLLER

45.AW100181
THERMISTOR:PRESSURE:FRONT



33.AB012107
GEAR:IDLER:EXIT:FUSING EXIT:1

34.AB012108
GEAR:IDLER:EXIT:FUSING EXIT:2

30.AB012099
GEAR:ON-OFF:PRESSURE ROLLER

54.D1494208
(x2)
CAM:ON-OFF:PRESSURE ROLLER

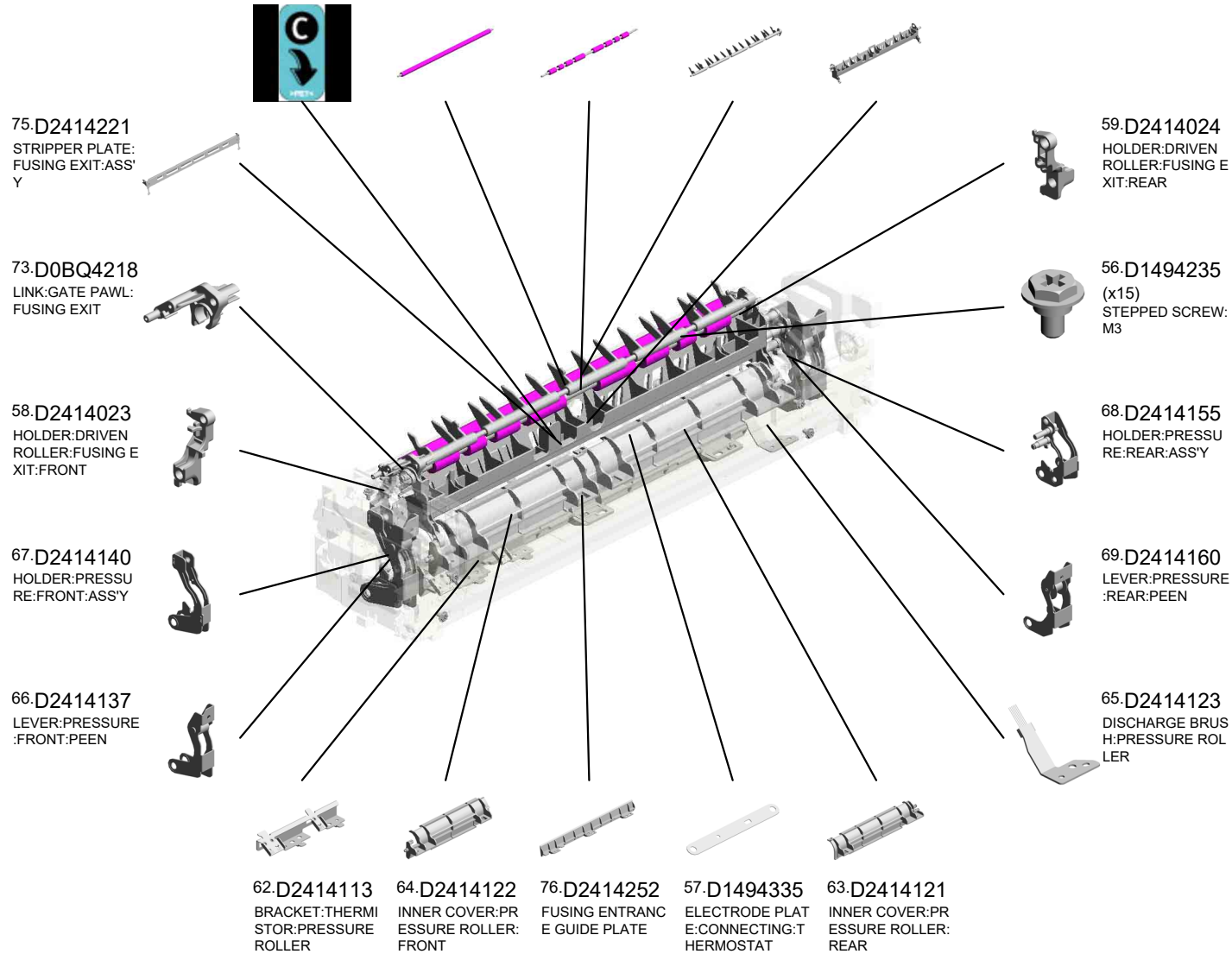
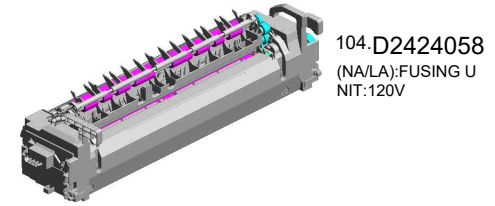
52.D1494205
(x2)
BRAKE:CAM

- 50.D1124264 DECAL:WARNING (HIGH TEMPERATURE):FUSING
- 55.D1494209 SHAFT:ON-OFF:PRESSURE ROLLER
- 35.AB012109 GEAR:IDLER:EXIT:FUSING EXIT:3
- 37.AB012111 GEAR:PRESSURE ROLLER:EXIT
- 38.AB012116 GEAR:DRIVE:FUSING UNIT

U001	U002	U003	U004	U005	U006	U007	U008	U009	U010	U011	U012	U013	U014	U015	U016	U017	U018
------	------	------	------	------	------	------	------	------	------	------	------	------	------	------	------	------	------

U011_S006
(NA/LA):FUSING UNIT:120V

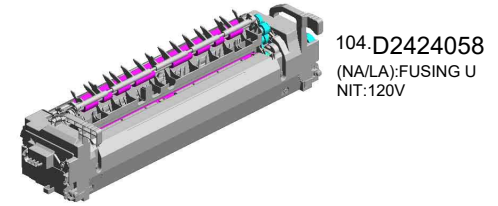
- 74.D2414219 DECAL:C:GUIDE PLATE:FUSING EXIT
- 60.D0BQ4102 DRIVEN ROLLER:FUSING EXIT:ASS'Y
- 71.D0BQ4214 EXIT ROLLER:FUSING EXIT:RIGHT
- 70.D2414212 GATE PAWL:FUSING EXIT
- 72.D2414215 GUIDE:FUSING EXIT:RIGHT:ASS'Y



U001	U002	U003	U004	U005	U006	U007	U008	U009	U010	U011	U012	U013	U014	U015	U016	U017	U018
------	------	------	------	------	------	------	------	------	------	------	------	------	------	------	------	------	------

U011_S006
(NA/LA):FUSING UNIT:120V

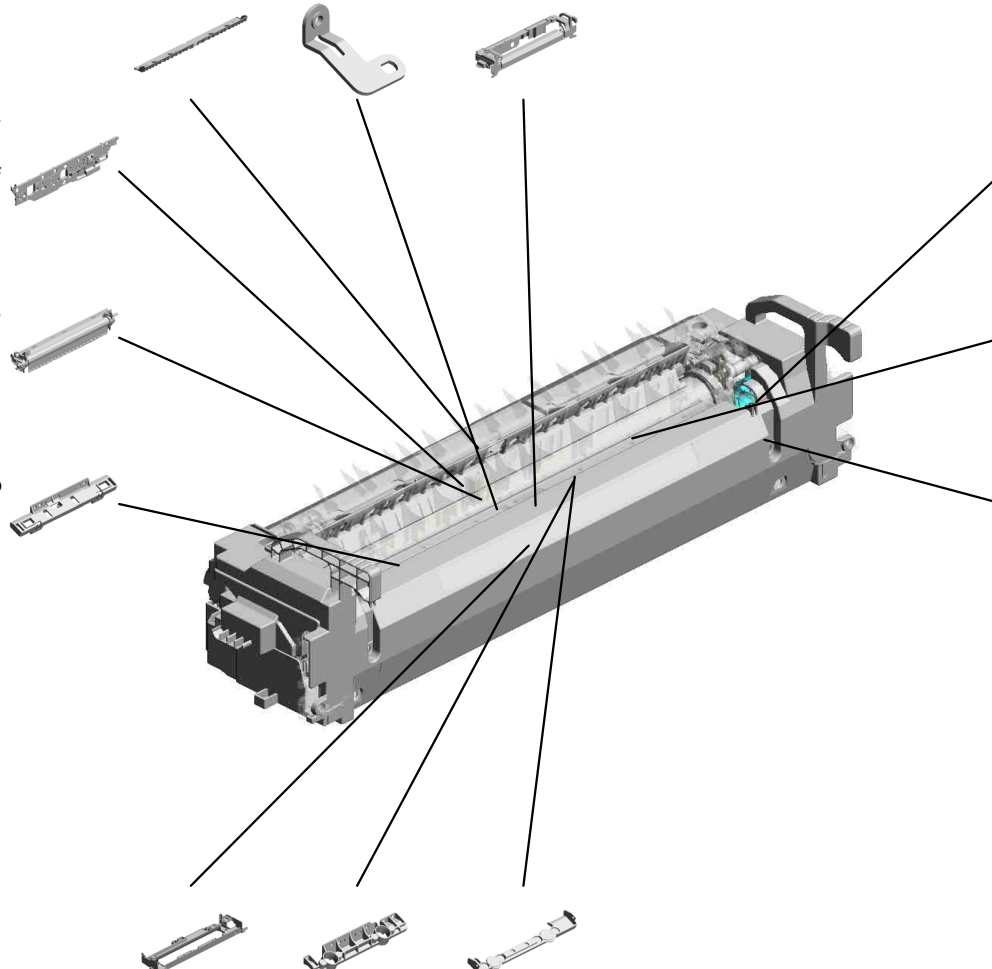
101.D2414108 GUIDE:FUSING EXIT:LEFT
 82.D2414338 TERMINAL:THERMOSTAT:HEATER
 77.D2414261 FUSING COVER:UPPER



78.D0BQ4317
GUIDE:HARNESS: DRAWER:PRESS FIT

90.D2424041
SLEEVE:FUSING:120V

83.D2414342
HOUSING:NON-CONTACT TYPE THERMISTOR



100.AB012119
GEAR:PRESSURE ROLLER

81.D2414337
TERMINAL:THERMOSTAT:DRAWER

103.AB012120
GEAR:IDLER:PRESSURE ROLLER

93.D2424262
FUSING COVER:LOWER

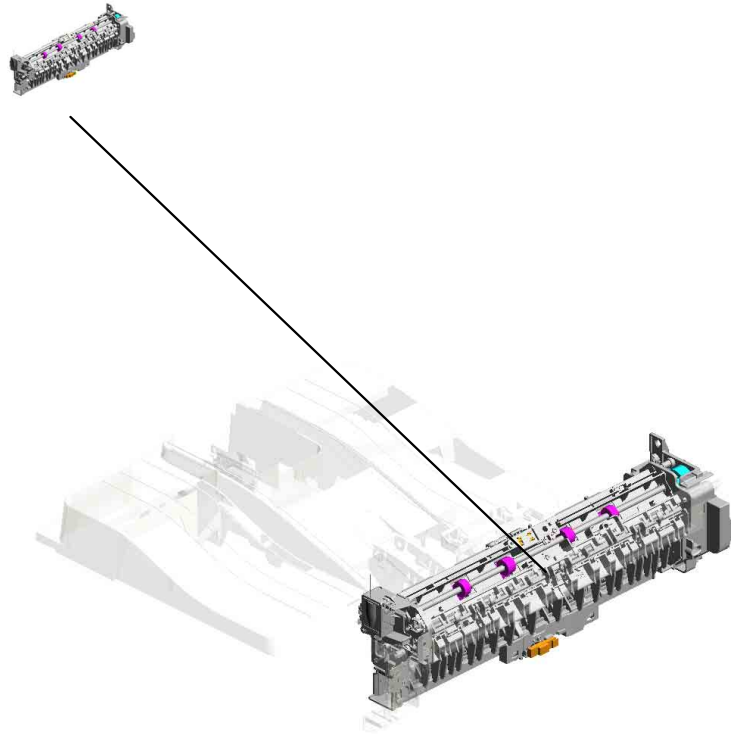
79.D2414332
HOUSING:THERMOSTAT

80.D2414334
COVER:HOUSING:THERMOSTAT

U001	U002	U003	U004	U005	U006	U007	U008	U009	U010	U011	U012	U013	U014	U015	U016	U017	U018
------	------	------	------	------	------	------	------	------	------	------	------	------	------	------	------	------	------

U012.PAPER EXIT

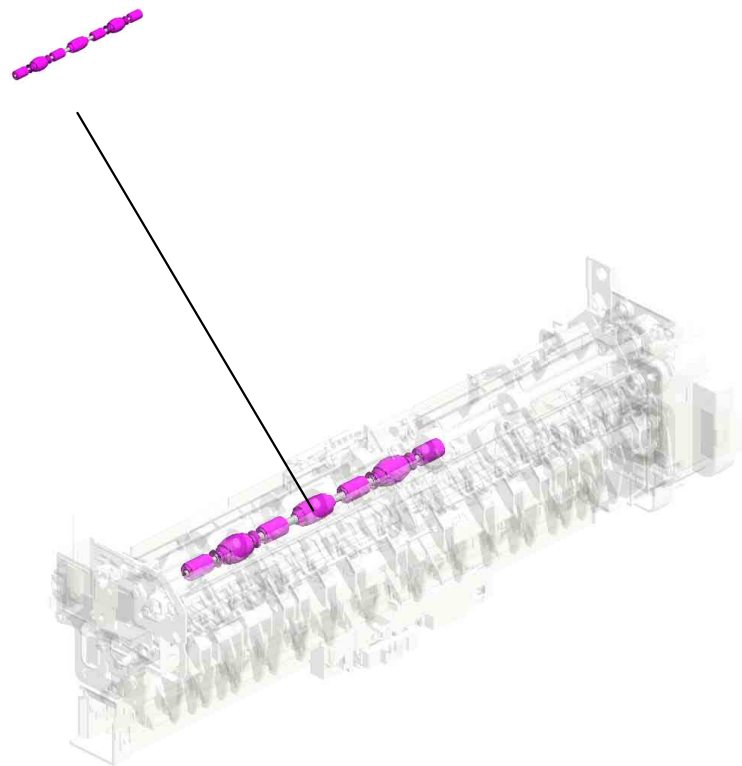
U012 S001
D2414406
PAPER EXIT UNIT:ASSY



U001	U002	U003	U004	U005	U006	U007	U008	U009	U010	U011	U012	U013	U014	U015	U016	U017	U018
------	------	------	------	------	------	------	------	------	------	------	------	------	------	------	------	------	------

U012_S001.PAPER EXIT UNIT:ASS'Y

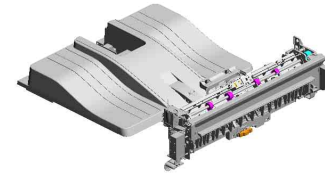
U012 S001 S001
D2414950
ROLLER:EXIT.PRESSURE:2T
YPE:ASS'Y



U001	U002	U003	U004	U005	U006	U007	U008	U009	U010	U011	U012	U013	U014	U015	U016	U017	U018
------	------	------	------	------	------	------	------	------	------	------	------	------	------	------	------	------	------

U012 PAPER EXIT

45.D2414494 TRAY:AUXILIARY:EXIT
74.D2414971 (x2) LINK:PLATE:EXIT
75.D2414972 (x2) GUIDE:PLATE:EXIT
73.D2414960 BASE:PLATE:EXIT



76.M0AJ4497
TRAY:EXIT
201706-02 O/O



47.D2414499
COMPRESSION SPRING:BASE:TRAY:EXIT



1.03530030N
(x2)
SCREW:M3X3



49.D2414936
INNER COVER:EXIT



4.04583008N
(x3)
HEXAGON HEAD TAPPING SCREW:3X8



3.04543006Q
(x3)
TAPPING SCREW - M3X6



48.D2414929
DC SOLENOID:FUSING EXIT:ASSY



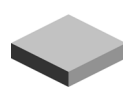
51.D2414938
TENSION SPRING:LINK:DC SOLENOID:FUSING EXIT



7.08050103
RETAINING RINGS -E:SILENCER:DIA3



20.D0094455
CUSHION - DC SOLENOID



U012_S001 PAPER EXIT UNIT:ASS'Y

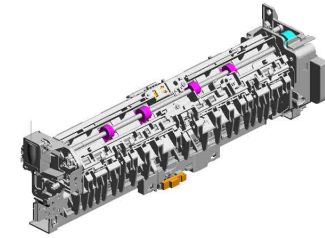
7.08050103
(x13)
RETAINING RINGS
-E:SILENCER:DIA3

11.11050759
CLAMP:LWSM-060
5A

13.AA080252
(x2)
BUSHING - M4

19.D0094407
FEELER - OVERFL
OW

22.D0394927
(x2)
COMPRESSION SP
RING:PRESSURE:
REVERSE:DRIVEN



37.D2414406
[A]
PAPER EXIT UNIT:
ASS'Y
201908-02 O/O

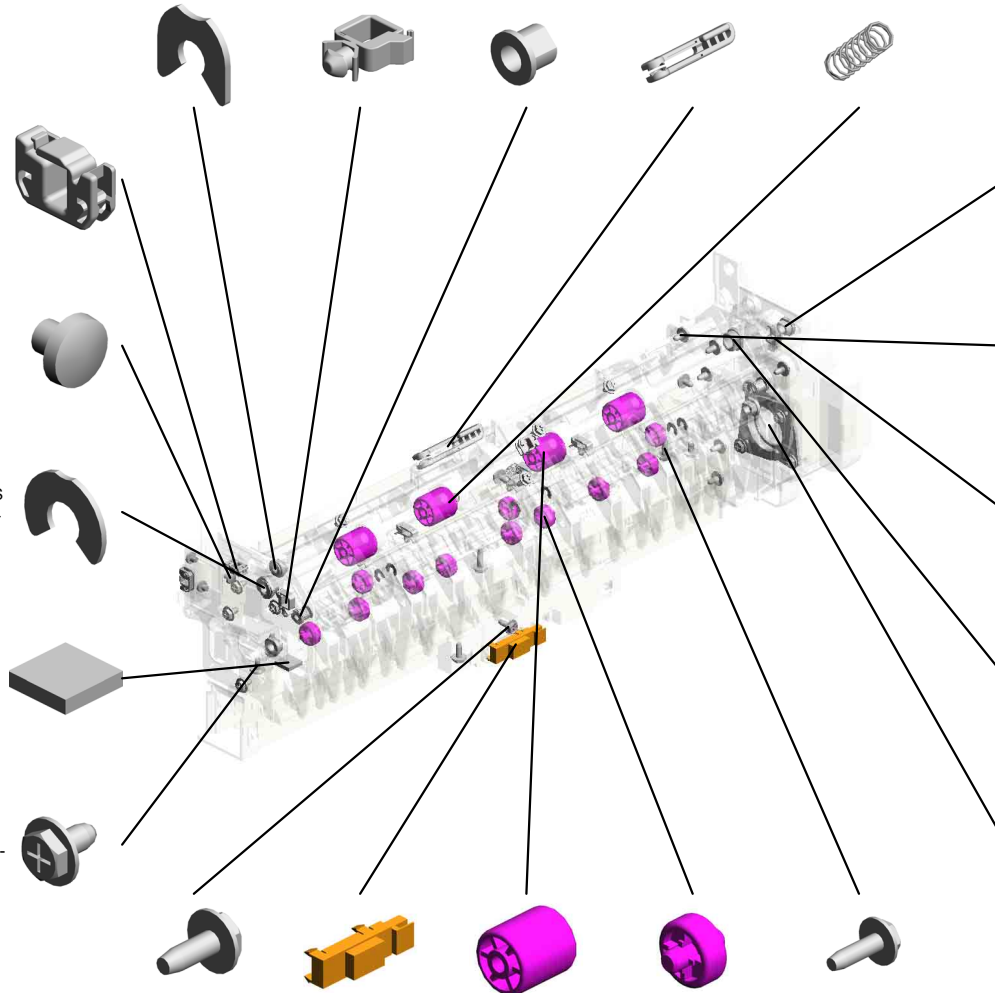
9.11050692
(x3)
CLAMP:LES-0503

1.03530030N
(x3)
SCREW:M3X3

8.08050104
RETAINING RINGS
-E:SILENCER:DIA4

20.D0094455
CUSHION - DC SO
LENOID

2.04513006N
(x6)
TAPPING SCREW -
3X6



14.AA082193
(x4)
PLAIN SHAFT BEA
RING:DIA4XDIA8X5
:EG-1-J
202109-02 O/O

3.04543006Q
(x13)
TAPPING SCREW -
M3X6

10.11050758
(x6)
CLAMP:LWSM-030
6A

15.AA082195
(x2)
PLAIN SHAFT BEA
RING:DIA6XDIA10X
6
202201-04 O/O

12.A2324666
CUSHION - STEPP
ER MOTOR

4.04583008N
(x5)
HEXAGON HEAD T
APPING SCREW:3
X8

17.AW010147
PHOTO REFLECTI
ON SENSOR

21.D0394925
(x4)
ROLLER:REVERSE
:DRIVEN

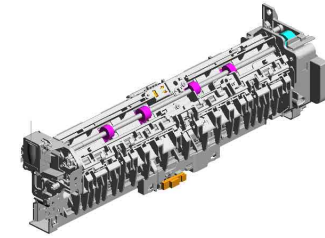
16.AF040571
(x11)
GUIDE ROLLER

5.04583010N
(x3)
HEXAGON HEAD T
APPING SCREW:3
X10

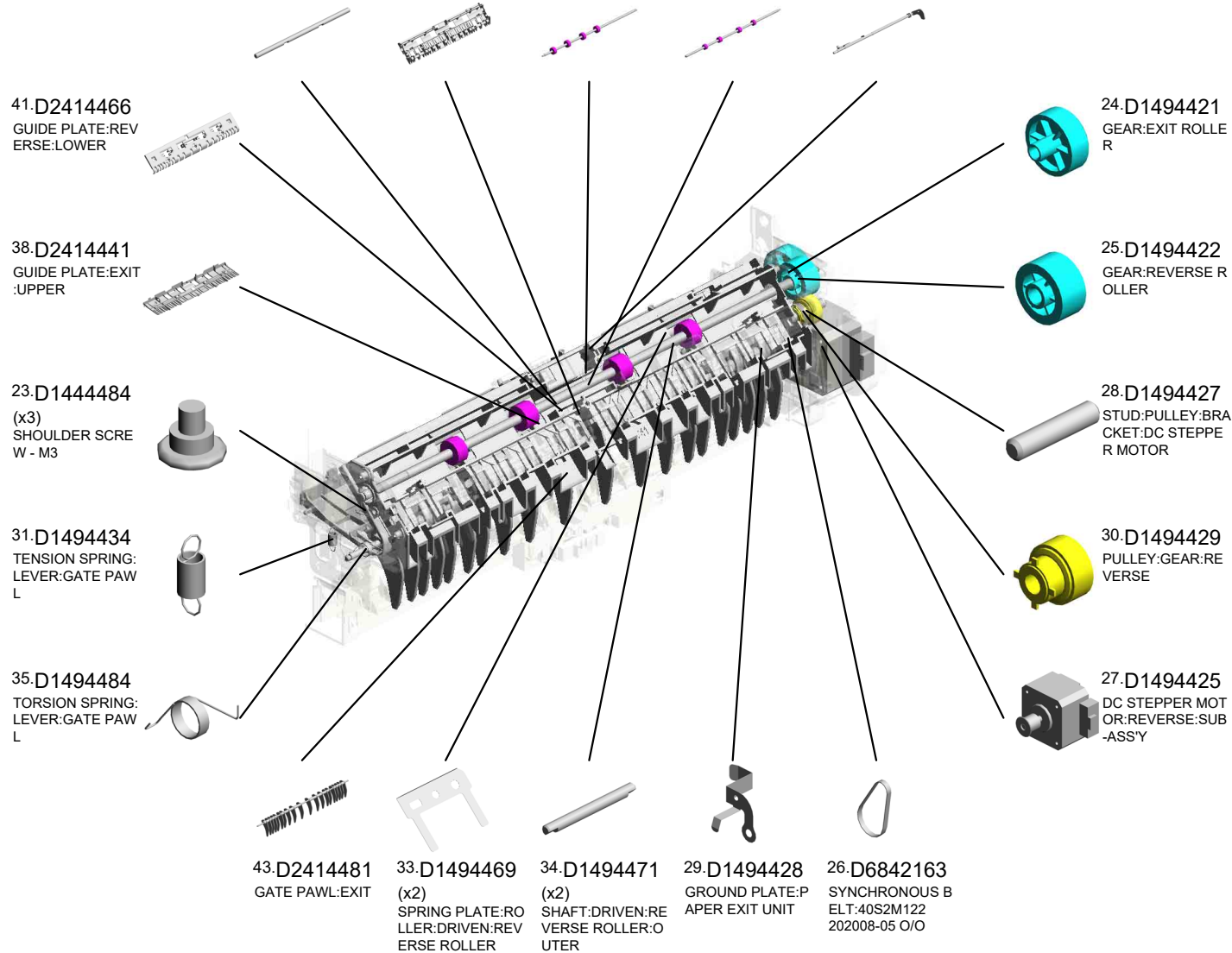
U001	U002	U003	U004	U005	U006	U007	U008	U009	U010	U011	U012	U013	U014	U015	U016	U017	U018
------	------	------	------	------	------	------	------	------	------	------	------	------	------	------	------	------	------

U012_S001
PAPER EXIT UNIT:ASS'Y

- 32.D1494468 SHAFT:DRIVEN:REVERSE ROLLER
- 40.D2414461 GUIDE PLATE:REVERSE:UPPER
- 42.D2414476 EXIT ROLLER
- 36.D2024477 REVERSE ROLLER
- 39.D2414448 SHAFT:FEELER:OVERFLOW



37.D2414406
[A]
PAPER EXIT UNIT:
ASS'Y
201908-02 O/O



U001	U002	U003	U004	U005	U006	U007	U008	U009	U010	U011	U012	U013	U014	U015	U016	U017	U018
------	------	------	------	------	------	------	------	------	------	------	------	------	------	------	------	------	------

U012_S001
PAPER EXIT UNIT:ASS'Y

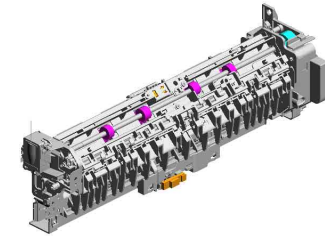
67.D2414981
(x2)
COIL SPRING:ROL
LER:PRESSURE:EX
IT

68.D2414992
DISCHARGE BRUS
H:EXIT

59.D2414955
HOLDER:ROLLER:
EXIT:PRESSURE:2
TYPE

77.M0AJ4981
DECAL:EXIT:GUID
E PLATE:LOWER:
MIDDLE

72.GW010007
(x2)
PHOTO REFLECTI
ON SENSOR:EXIT



37.D2414406
[A]
PAPER EXIT UNIT:
ASS'Y
201908-02 O/O

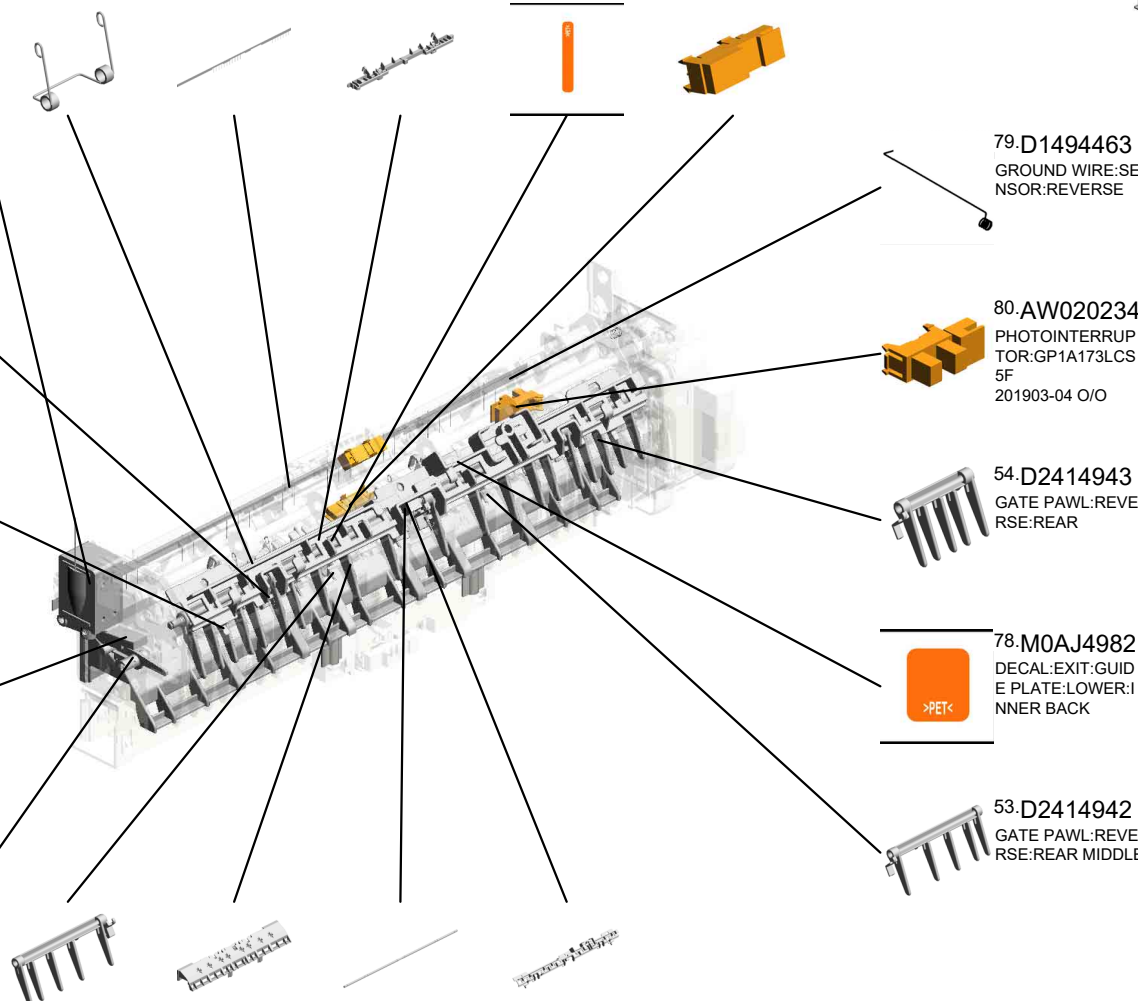
70.D2414996
DC SOLENOID:ASS
Y

50.D2414937
(x4)
TENSION SPRING:
GATE:REVERSE

56.D2414947
GATE PAWL:REVE
RSE:FRONT

71.D2414998
CUSHION:DC SOL
ENOID:4MM

44.D2414483
LEVER:GATE PAW
L



79.D1494463
GROUND WIRE:SE
NSOR:REVERSE

80.AW020234
PHOTOINTERRUP
TOR:GP1A173LCS
5F
201903-04 O/O

54.D2414943
GATE PAWL:REVE
RSE:REAR

78.M0AJ4982
DECAL:EXIT:GUID
E PLATE:LOWER:
INNER BACK

53.D2414942
GATE PAWL:REVE
RSE:REAR MIDDLE

52.D2414941
GATE PAWL:REVE
RSE:FRONT MIDDLE

69.D2414994
GUIDE PLATE:EXIT
:LOWER

55.D2414946
SHAFT:GATE PAW
L:REVERSE

57.D2414948
GUIDE:HARNES:
REVERSE



D2414404
[A]
PAPER EXIT UNIT:
ASS'Y
201908-02 O/O

U001	U002	U003	U004	U005	U006	U007	U008	U009	U010	U011	U012	U013	U014	U015	U016	U017	U018
------	------	------	------	------	------	------	------	------	------	------	------	------	------	------	------	------	------

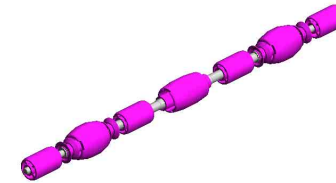
U012_S001_S001

ROLLER:EXIT:PRESSURE:2TYPE:ASS'Y

6.07200020G

(x4)

RETAINING RING -
M2



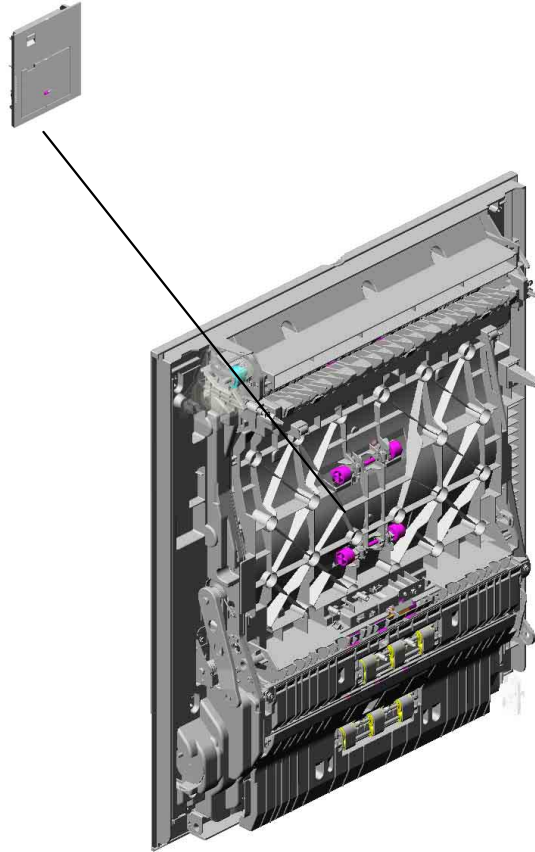
58.D2414950

ROLLER:EXIT:PRE
SSURE:2TYPE:ASS
'Y

U001	U002	U003	U004	U005	U006	U007	U008	U009	U010	U011	U012	U013	U014	U015	U016	U017	U018
------	------	------	------	------	------	------	------	------	------	------	------	------	------	------	------	------	------

U013.DUPLEX

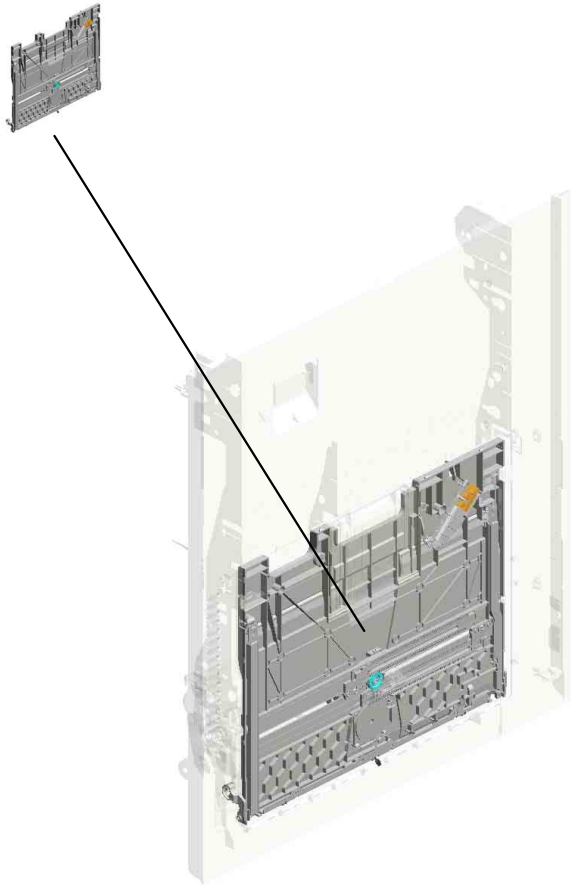
U013 S001
D2414519
DUPLEX UNIT:ASSY



U001	U002	U003	U004	U005	U006	U007	U008	U009	U010	U011	U012	U013	U014	U015	U016	U017	U018
------	------	------	------	------	------	------	------	------	------	------	------	------	------	------	------	------	------

U013_S001.DUPLEX UNIT:ASS'Y

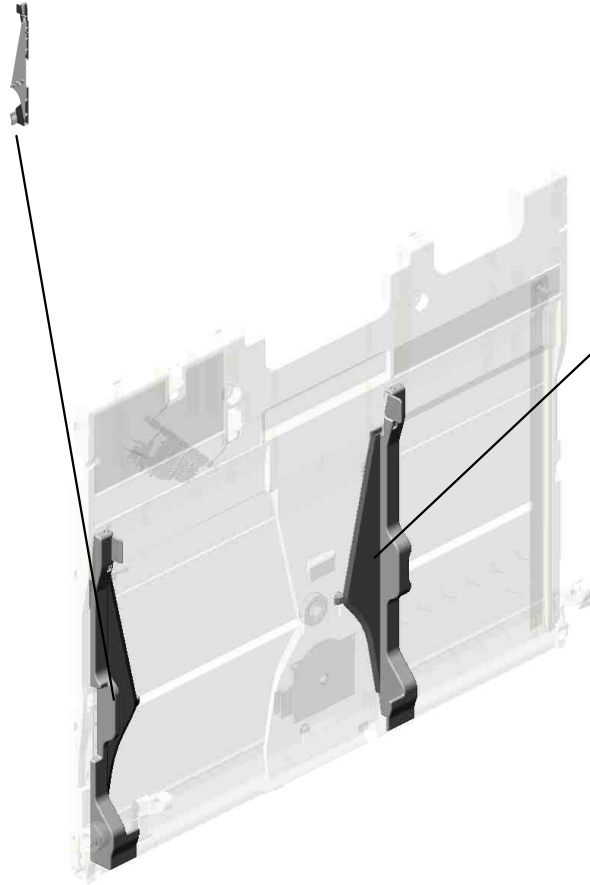
U013 S001 S001
D2412627
MANUAL FEED TABLE:ASS'Y



U001	U002	U003	U004	U005	U006	U007	U008	U009	U010	U011	U012	U013	U014	U015	U016	U017	U018
------	------	------	------	------	------	------	------	------	------	------	------	------	------	------	------	------	------

U013_S001_S001.MANUAL FEED TABLE:ASS'Y

U013 S001 S001 S002
D2412691
SIDE FENCE:REAR:ASS'Y



U013 S001 S001 S001
D2412690
SIDE FENCE:FRONT:ASS'Y

U001	U002	U003	U004	U005	U006	U007	U008	U009	U010	U011	U012	U013	U014	U015	U016	U017	U018
------	------	------	------	------	------	------	------	------	------	------	------	------	------	------	------	------	------

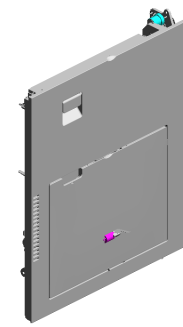
U013 DUPLEX

6.04583008N (x3)
HEXAGON HEAD TAPPING SCREW-3X6

173.D2414755
GEAR:OUTPUT:DUPLEX:ENTRANCE

4.04543006Q (x3)
TAPPING SCREW - M3X6

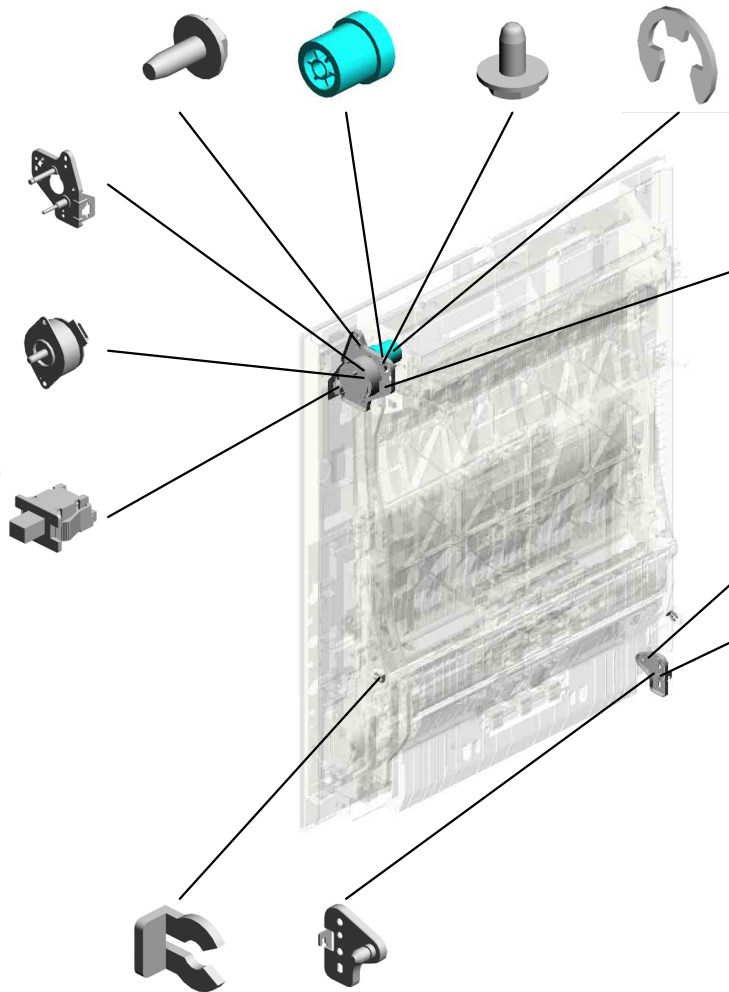
10.07200040E
RETAINING RING - M4



172.D2414750
BRACKET:MOTOR:DUPLEX

41.AX060464
DC MOTOR:ENCODER:NO:10W:GEAR:BRUSHLESS

196.AW500049
PUSH SWITCH:SW1AG-550
201811-01 O/O



19.54472681 (x2)
SNAP RING

98.D1494755
BRACKET:HINGE:DUPLEX:FRONT

2.03603006N (x 1)
SCREW - M3X6

184.D0BQ4757
SPACER:DC MOTOR:DUPLEX:2
202105-04 O/O

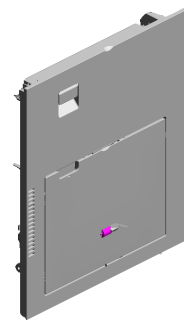
18.52152621
SNAP RING - M6

3.04513006N (x2)
TAPPING SCREW - 3X6

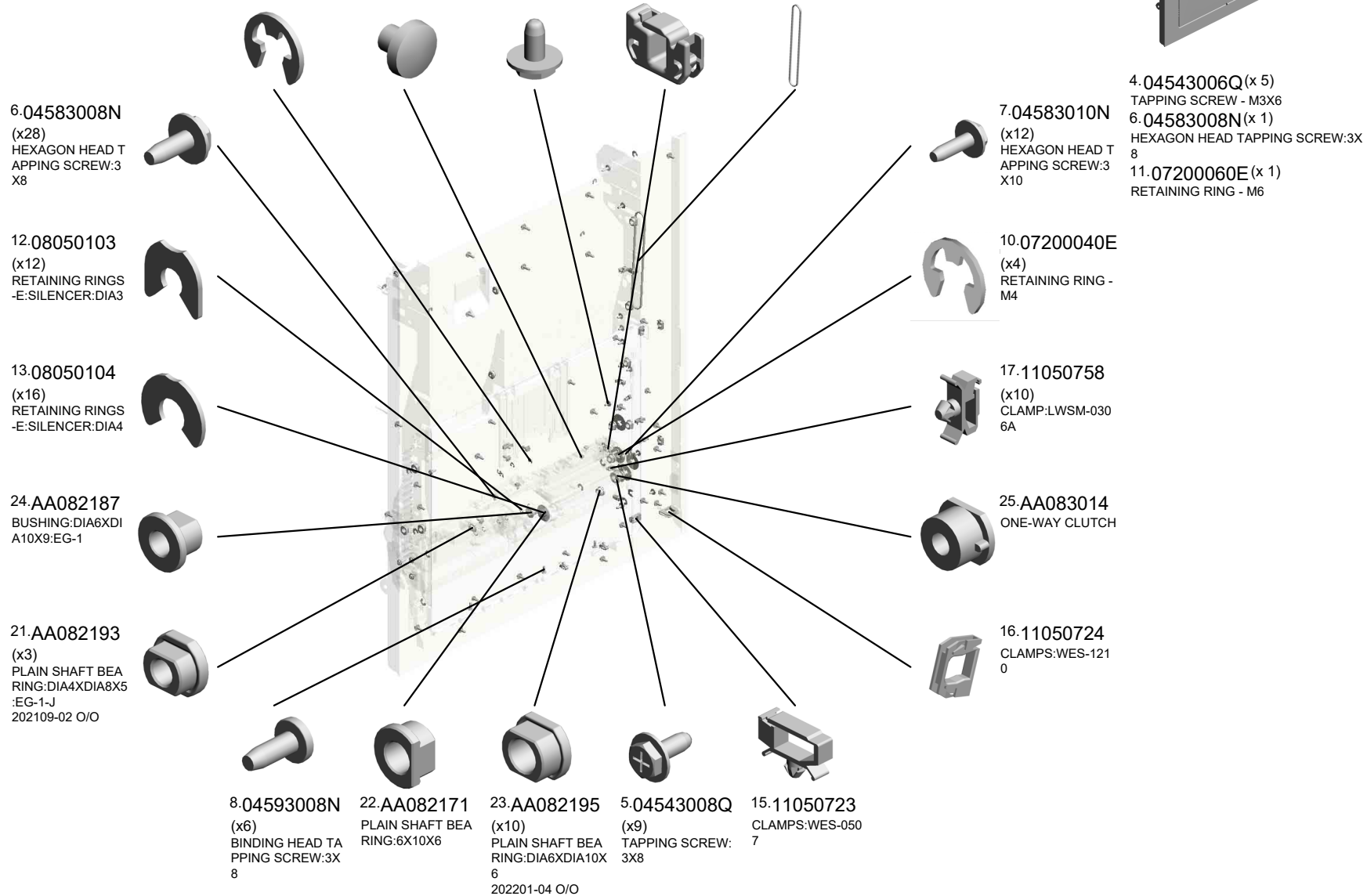
U001	U002	U003	U004	U005	U006	U007	U008	U009	U010	U011	U012	U013	U014	U015	U016	U017	U018
------	------	------	------	------	------	------	------	------	------	------	------	-------------	------	------	------	------	------

U013_S001
 DUPLEX UNIT:ASS'Y

- 9.07200030E (x4) RETAINING RING - M3
- 1.03530030N (x2) SCREW:M3X3
- 4.04543006Q (x6) TAPPING SCREW - M3X6
- 14.11050692 (x5) CLAMP:LES-0503
- 20.D0BQ4648 SYNCHRONOUS B ELT:30S2M300 202202-25 O/O

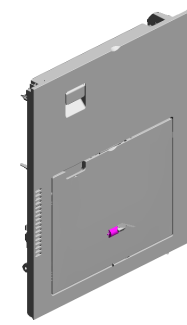


206.D2414519
 [A]
 DUPLEX UNIT:ASS'
 Y
 201904-01 O/O



U001	U002	U003	U004	U005	U006	U007	U008	U009	U010	U011	U012	U013	U014	U015	U016	U017	U018
------	------	------	------	------	------	------	------	------	------	------	------	------	------	------	------	------	------

U013_S001
 DUPLEX UNIT:ASS'Y



206.D2414519
 [A]
 DUPLEX UNIT:ASS'
 Y
 201904-01 O/O

- 47.D0094485 (x2) BUSHING - GATE
- 43.B2234552 (x4) BUSHING:DIA4
- 48.D0094487 (x2) COMPRESSION SP RING - GATE
- 37.AW020198 PHOTOINTERRUP TOR:LG2A14NL1 202001-01 O/O
- 29.AA143807 SCREW:A

45.D0092574 (x6) PULLEY - IDLER



44.D0092573 (x6) PULLEY - VERTICAL TRANSPORT



49.D0292677 (x6) TRANSPORT BELT :DRIVEN:VERTICAL TRANSPORT



38.AW020203 PHOTOINTERRUP TOR:GP1A173LCS 2F



28.AA143579 (x2) SCREW - M3



46.D0094455 (x5) CUSHION - DC SOLENOID



27.AA100014 (x2) RETAINING RING C - SEPARATE



35.AF031046 FEED ROLLER - MANUAL FEED



36.AF032046 SEPARATION ROLLER - MANUAL FEED



34.AF030049 PICK-UP ROLLER



26.AA083018 ROLLER CLUTCH - 6X14X10



41.AX060464 DC MOTOR:ENCODER:NO:10W:GEAR:BRUSHLESS



30.D0BQ2655 GEAR:SEPARATE:DRIVE 202106-02 O/O



31.AB010157 GEAR:SEPARATE:DRIVEN

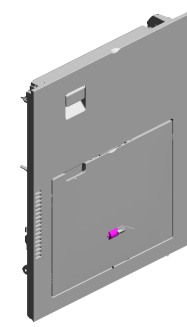


32.AB011252 GEAR - 20Z



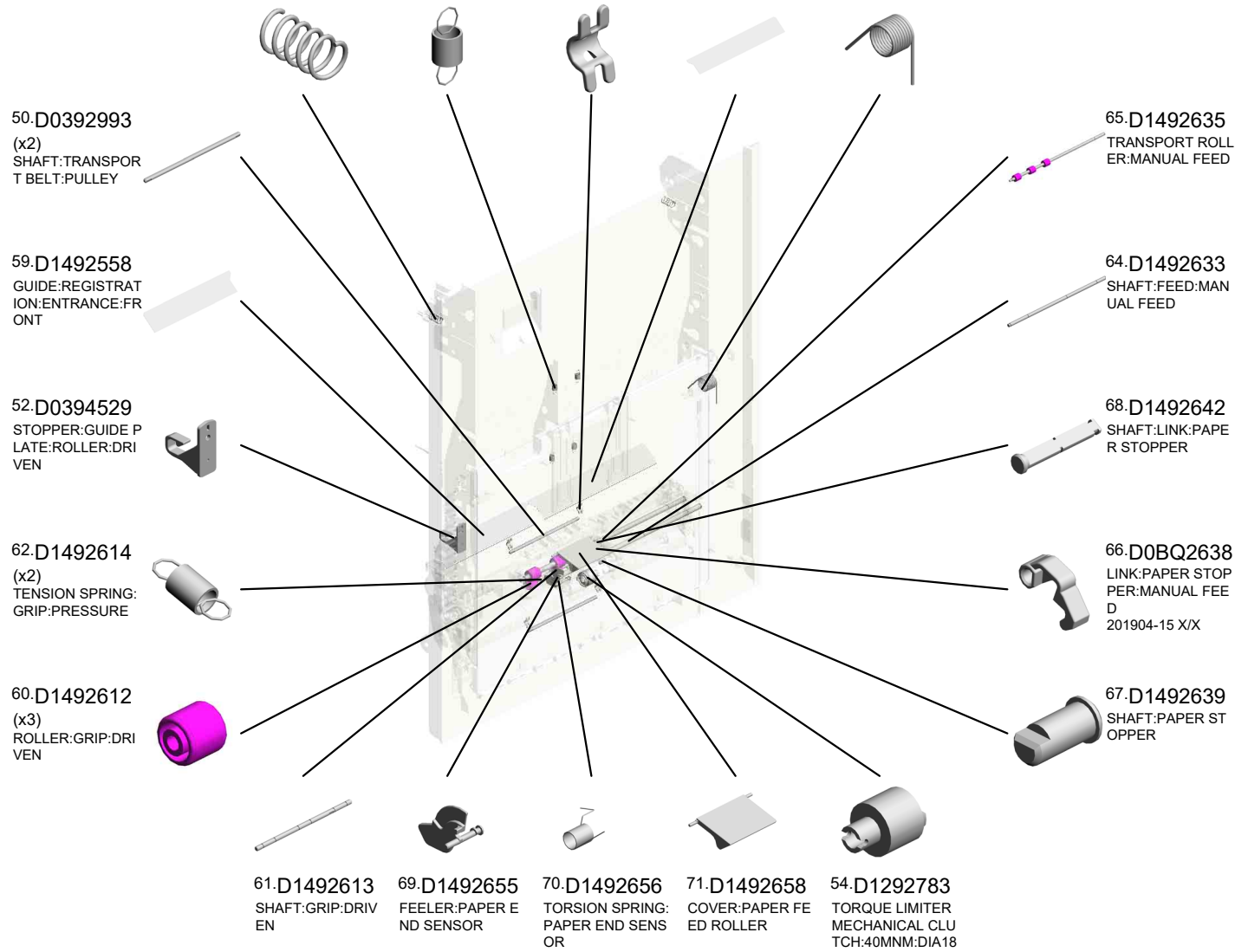
U001	U002	U003	U004	U005	U006	U007	U008	U009	U010	U011	U012	U013	U014	U015	U016	U017	U018
------	------	------	------	------	------	------	------	------	------	------	------	------	------	------	------	------	------

U013_S001
 DUPLEX UNIT:ASS'Y



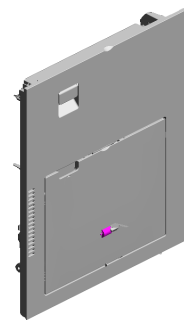
206.D2414519
 [A]
 DUPLEX UNIT:ASS'
 Y
 201904-01 O/O

- 51.D0394525 (x2) COMPRESSION SPRING:SHAFT:GUIDE PLATE:EXIT
- 53.D0394597 (x4) TENSION SPRING:DRIVEN ROLLER
- 55.D1444489 (x4) STOPPER:DRIVEN ROLLER
- 58.D1492557 GUIDE:REGISTRATION:ENTRANCE:REAR
- 57.D1484690 TORSION SPRING:LINK



U001	U002	U003	U004	U005	U006	U007	U008	U009	U010	U011	U012	U013	U014	U015	U016	U017	U018
------	------	------	------	------	------	------	------	------	------	------	------	------	------	------	------	------	------

U013_S001
 DUPLEX UNIT:ASS'Y



206.D2414519
 [A]
 DUPLEX UNIT:ASS'
 Y
 201904-01 O/O

78.D2414643 (x2) TRANSPORT ROLL ER:ENTRANCE 201608-01 X/O
 82.D1494653 TENSION SPRING: SWIVEL
 85.D1494657 HOOK:STOPPER:D UPLEX UNIT:REAR
 81.D1494647 SYNCHRONOUS B ELT:30S2M212
 99.D2414766 (x2) TRANSPORT ROLL ER:EXIT:DIA8 201608-02 X/O

86.D1494658 COIL SPRING:LEVER:DUPLEX

84.D1494656 HOOK:STOPPER:D UPLEX UNIT:FRONT

92.D1494715 DECAL:GRIP:Z



76.D1492694 (x2) COMPRESSION SPRING:STOPPER:MANUAL FEED TABLE

80.D0BQ4646 SYNCHRONOUS B ELT:30S2M262 202112-01 O/O

90.D1494695 LINK:FRONT

79.D0BQ4645 SYNCHRONOUS B ELT:30S2M118 202112-02 O/O

74.D1492692 ARM:MANUAL FEED:FRONT UPPER

87.D1494672 (x4) COMPRESSION SPRING:DRIVEN

72.D1492686 WIRE:MANUAL FEED TABLE:TC075

75.D1492693 (x2) STOPPER:MANUAL FEED TABLE

77.D1494638 GUIDE:WIRE

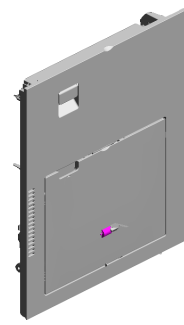
73.D0BQ2688 TENSION SPRING: WIRE 202105-03 O/O

89.D1494688 LINK:DUPLEX:MAIN

88.D1494675 COVER:PUSH SWITCH

U001	U002	U003	U004	U005	U006	U007	U008	U009	U010	U011	U012	U013	U014	U015	U016	U017	U018
------	------	------	------	------	------	------	------	------	------	------	------	------	------	------	------	------	------

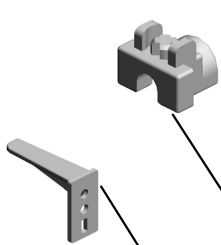
U013_S001
 DUPLEX UNIT:ASS'Y



206.D2414519
 [A]
 DUPLEX UNIT:ASS'
 Y
 201904-01 O/O

109.D1754737 (x4) PLAIN SHAFT BEARING:DUPLEX:EXIT
 117.D2022640 EXTENSION TRAY: NO.1
 118.D2022641 EXTENSION TRAY: NO.2
 126.D2024674 TORSION SPRING: DUPLEX:ENTRANCE SENSOR
 125.D2024673 FEELER:DUPLEX:ENTRANCE SENSOR

104.D1494850 ARM:PUSH SWITCH



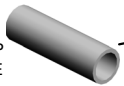
127.D2024679 DRIVEN ROLLER: DIA16:DUPLEX



102.D2414640 TRANSPORT ROLLER:EXIT: DIA8 201608-03 X/O



101.D1494777 (x4) COMPRESSION SPRING:FLAT CONVEYER BELT:DRIVEN



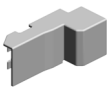
99.D2414766 TRANSPORT ROLLER:EXIT: DIA8 201608-04 X/O



121.D0BQ2654 (x2) CUSHION:GUIDE PLATE:SEPARATOR 202103-01 O/O



115.D2022624 COVER:PAPER END



122.D2022669 COVER:MANUAL FEED TABLE



111.D2022617 ARM:PICKUP:MANUAL FEED



112.D2022618 SHEET:PICKUP



119.D2022642 PULLEY:WIRE:MANUAL FEED TABLE



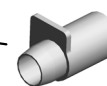
120.D2022646 ARM:MANUAL FEED:REAR UPPER



110.D2022614 COIL SPRING:RELEASE:PICKUP:MANUAL FEED



114.D2022620 SHOE:TORSION SPRING:PICKUP

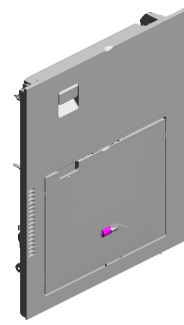


113.D2022619 TORSION SPRING: PICKUP



U001	U002	U003	U004	U005	U006	U007	U008	U009	U010	U011	U012	U013	U014	U015	U016	U017	U018
------	------	------	------	------	------	------	------	------	------	------	------	------	------	------	------	------	------

U013_S001
 DUPLEX UNIT:ASS'Y



206.D2414519
 [A]
 DUPLEX UNIT:ASS'
 Y
 201904-01 O/O

155.D2414628 GUIDE PLATE:DUPLEX:EXIT
 128.D0BQ4680 BRACKET:DRIVEN ROLLER:PRESSURE
 202106-03 X/O
 154.D2414617 TRANSPORT ROLLER:DUPL
 EX:2:DIA8
 130.D2024692 (x2) SHAFT:PRESSURE :GUIDE PLATE:UPPER
 132.D2024722 LINK:DUPL

129.D2024682 DRIVEN ROLLER:DI
 A16

148.D2412673 GUIDE PLATE:VERTICAL TRANSPORT:NO.1:DRIVEN

151.D2412678 (x2) SHAFT:FLAT CONVEYER BELT:DRIVEN

150.D2412676 (x2) HOLDER:DRIVEN:BELT

144.D2412652 GROUND PLATE:SHAFT:FEED

149.D2412674 GUIDE PLATE:VERTICAL TRANSPORT:NO.2:DRIVEN
 140.D0BQ2637 PAPER STOPPER:MANUAL FEED
 201904-14 X/X
 141.D2412641 COVER:PAPER STOPPER:MANUAL FEED
 143.D2412644 TORSION SPRING:LINK:PAPER STOPPER
 142.D2412643 ARM:LINK:PAPER STOPPER

131.D2024721 BRACKET:LINK:DUPL

133.D2024726 TORSION SPRING:LINK:CONTACT POINT

135.D2412622 COVER:DAMPER

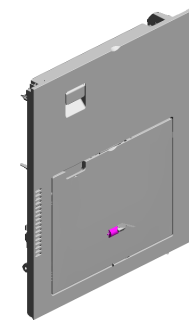
134.D2412612 DC SOLENOID:PICTUP:ASS'Y

146.D0BQ2656 HOLDER:HARNES

U001	U002	U003	U004	U005	U006	U007	U008	U009	U010	U011	U012	U013	U014	U015	U016	U017	U018
------	------	------	------	------	------	------	------	------	------	------	------	------	------	------	------	------	------

U013_S001
 DUPLEX UNIT:ASS'Y

160.D2414660 GUIDE PLATE:UPPER:RIGHT:DUPLEX
 175.D2414762 DRIVEN ROLLER:DRIVEN:IA18
 156.D2414635 SHEET:CUSHION
 176.D2414763 GUIDE:HARNESS:ENTRANCE SENSOR:DUPLEX
 159.D2414652 GEAR:PULLEY:SWIVEL



206.D2414519
 [A]
 DUPLEX UNIT:ASS'Y
 Y
 201904-01 O/O

162.D2414676
 (x2)
 LEVER:PRESSURE:DUPLEX

163.D2414677
 (x2)
 COMPRESSION SPRING:EXIT:UPPER

174.D2414761
 (x2)
 DRIVEN ROLLER:DRIVEN:IA16

157.D2414642
 TRANSPORT ROLLER:DUPLEX:1

166.D2414693
 INNER COVER:FRONT:DUPLEX

177.D2414765
 (x2)
 PULLEY:T26

178.D2414921
 COVER:GUIDE PLATE:DRIVEN

161.D2414673
 GUIDE PLATE:DRIVEN

169.D2414708
 GEAR:SEPARATOR:MANUAL FEED:DRIVE

164.D2414684
 GEAR:OUTPUT

167.D2414694
 CAP:BELT:DUPLEX

165.D2414692
 INNER COVER:REAR:DUPLEX

171.D2414710
 GEAR:IDLER

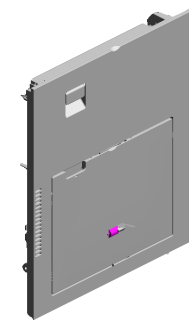
170.D2414709
 GEAR:TRANSPORT ROLLER:MANUAL FEED

168.D2414707
 GEAR:FEED:MANUAL FEED:DRIVE

U001	U002	U003	U004	U005	U006	U007	U008	U009	U010	U011	U012	U013	U014	U015	U016	U017	U018
------	------	------	------	------	------	------	------	------	------	------	------	------	------	------	------	------	------

U013_S001
 DUPLEX UNIT:ASS'Y

180.D2414995 GUIDE PLATE:UPPER
 205.D0BQ4654 SHAFT:LEVER:LOCK
 196.AW500049 PUSH SWITCH:SW1AG-550
 203.D0BQ4631 SIDE PLATE:REAR:DUPLEX:PEEN
 210.D2414648 BRACKET:SWIVEL:PEEN



206.D2414519
 [A]
 DUPLEX UNIT:ASS'Y
 201904-01 O/O

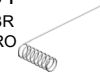
207.D2894655 GRIP:DUPLEX UNIT
 201904-05 X/X



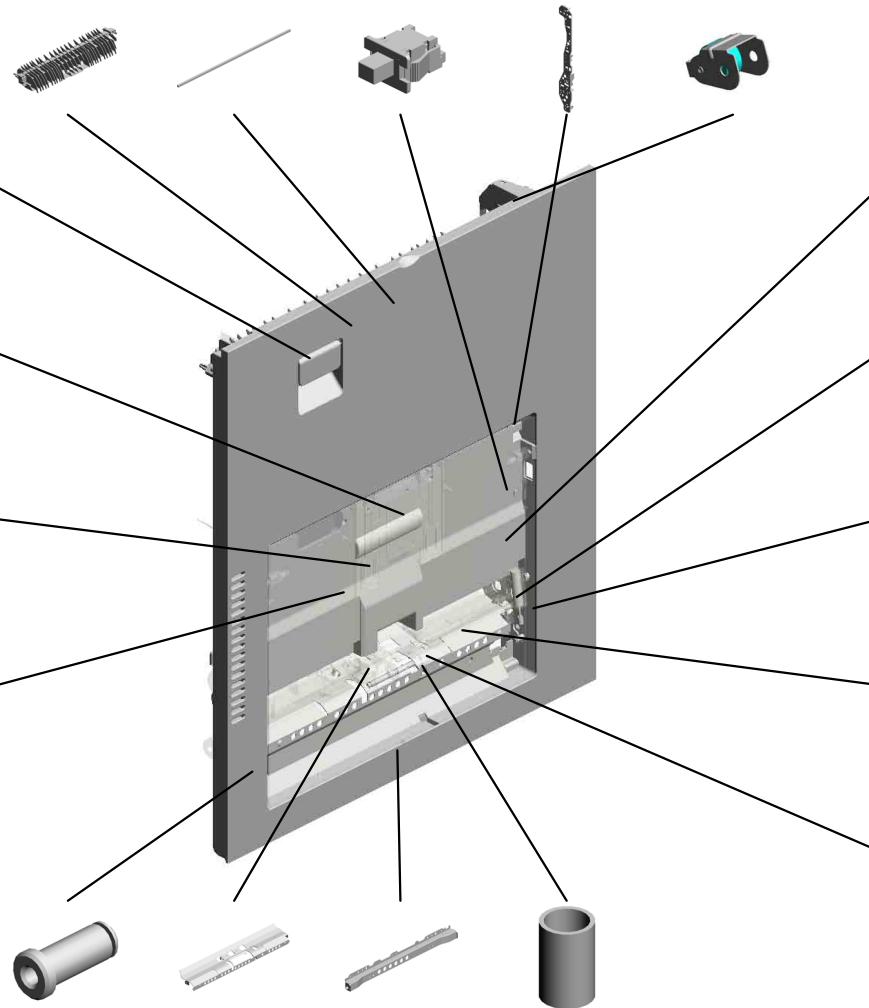
186.D2414627 COVER:DUPLEX



190.D2024684 GROUND WIRE:BRACKET:DRIVEN ROLLER



181.GW010007 PHOTO REFLECTION SENSOR:EXIT



204.D0BQ4644 GEAR:MECHANICAL ROLLER CLUTCH
 201904-13 X/X



183.M0662749 OIL DAMPER:STRAIGHT:30N



192.D2414681 BRACKET:MOTOR:PEEN
 201801-01 X/O



200.D0BQ2619 SHAFT:SEPARATOR:DRIVE:ASS'Y
 201904-08 X/X



198.D0BQ2608 SHAFT:SEPARATOR:DRIVEN:ASS'Y
 201904-09 X/X



191.D1494706 PIN:ARM:FRONT LOWER



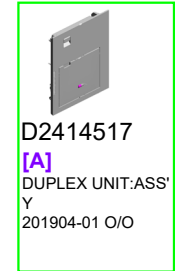
199.D0BQ2615 GUIDE PLATE:SEPARATOR:ASS'Y
 201904-11 X/X



179.D2414923 STAY:CONTACT POINT:DUPLEX



202.D0BQ2653 COIL SPRING:PRESSURE:SEPARATOR
 201904-10 X/X

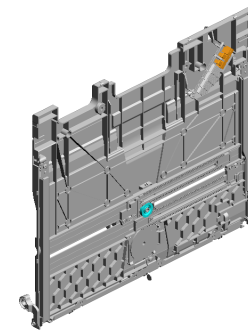


D2414517
 [A]
 DUPLEX UNIT:ASS'Y
 201904-01 O/O

U001	U002	U003	U004	U005	U006	U007	U008	U009	U010	U011	U012	U013	U014	U015	U016	U017	U018
------	------	------	------	------	------	------	------	------	------	------	------	------	------	------	------	------	------

U013_S001_S001
MANUAL FEED TABLE:ASS'Y

- 153.D2412685 DECAL:PAPER SE
T DIRECTION:MAN
UAL FEED
- 116.D2022638 FEELER:PAPER SI
ZE SENSOR:MANU
AL FEED
- 123.D2022676 DECAL:SCALE:MA
NUAL FEED:MIDDL
E
- 147.D2412663 DECAL:SCALE:MA
NUAL FEED:FRON
T
- 42.B2231099 (x2)
FLAT SCREW

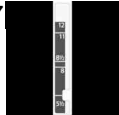


136.D2412627
MANUAL FEED TA
BLE:ASS'Y

38.AW020203
PHOTOINTERRUPT
OR:GP1A173LCS
2F



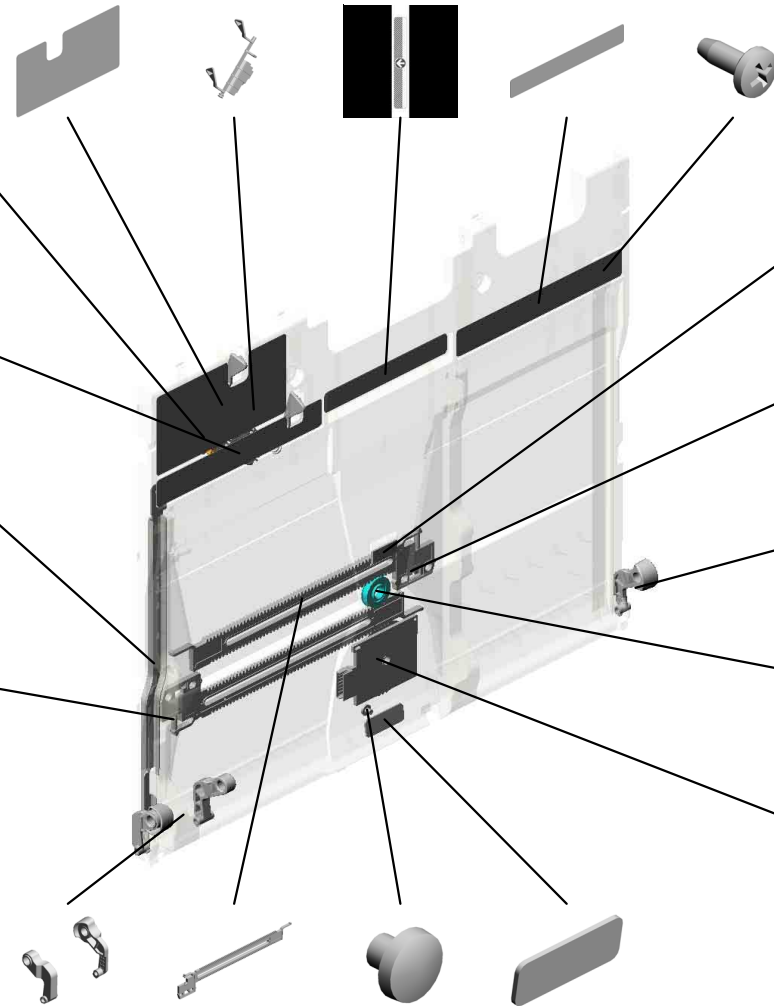
124.D2022677
DECAL:SCALE:MA
NUAL FEED:REAR



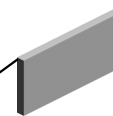
152.D2412682
STAY:REAR:MANU
AL FEED TABLE



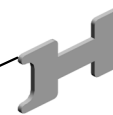
97.D1494731
(x2)
COMPRESSION SP
RING:RACK:MANU
AL FEED



182.M0662743
FRICTION PAD:MA
NUAL FEED TABLE
:18X7.5



189.D2414899
(x2)
SHEET:RACK:MAN
UAL FEED
201707-02



105.D1494883
ARM:MANUAL FEE
D:FRONT LOWER



107.D1502666
GEAR:SIDE FENCE
:MANUAL FEED TA
BLE



39.AW500039
ROTARY SWITCH:
PAPER SIZE SENS
OR: CW



106.D1494884
ARM:MANUAL FEE
D:REAR LOWER



139.D2412634
(x2)
RACK:MANUAL FE
ED



1.03530030N
SCREW:M3X3



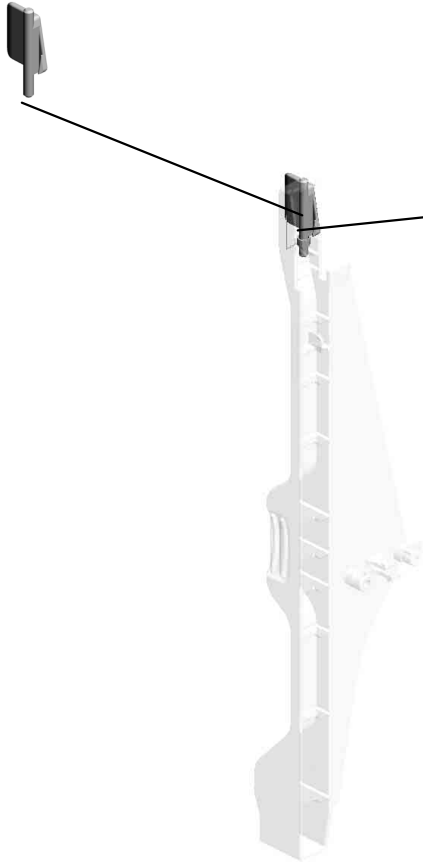
33.AF013016
BOTTOM PLATE P
AD



U001	U002	U003	U004	U005	U006	U007	U008	U009	U010	U011	U012	U013	U014	U015	U016	U017	U018
------	------	------	------	------	------	------	------	------	------	------	------	------	------	------	------	------	------

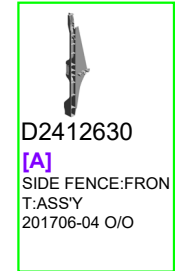
U013_S001_S001_S001
SIDE FENCE:FRONT:ASS'Y

93.D1494717
PLATE:SIDE FENC
E:FRONT



187.D2412690
[A]
SIDE FENCE:FRON
T:ASS'Y
201706-04 O/O

94.D1494718
TORSION SPRING:
SIDE FENCE:FRON
T



D2412630
[A]
SIDE FENCE:FRON
T:ASS'Y
201706-04 O/O

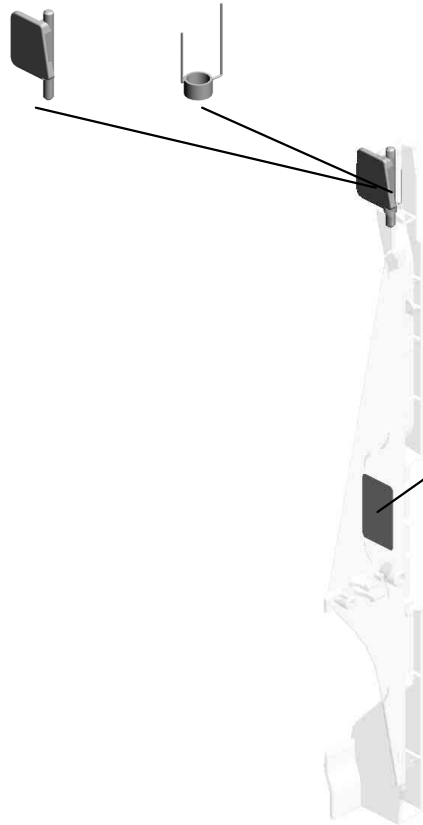
U001	U002	U003	U004	U005	U006	U007	U008	U009	U010	U011	U012	U013	U014	U015	U016	U017	U018
------	------	------	------	------	------	------	------	------	------	------	------	------	------	------	------	------	------

U013_S001_S001_S002
SIDE FENCE:REAR:ASS'Y

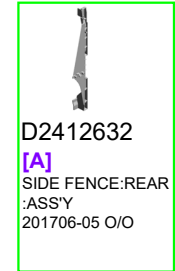
95.D1494720 96.D1494721
PLATE:SIDE FENC TORSION SPRING:
E:REAR SIDE FENCE:REAR



188.D2412691
[A]
SIDE FENCE:REAR
:ASS'Y
201706-05 O/O



91.D1494711
DECAL:SIDE FENC
E:MANUAL FEED



D2412632
[A]
SIDE FENCE:REAR
:ASS'Y
201706-05 O/O

U001	U002	U003	U004	U005	U006	U007	U008	U009	U010	U011	U012	U013	U014	U015	U016	U017	U018
------	------	------	------	------	------	------	------	------	------	------	------	------	------	------	------	------	------

U014.MAIN DRIVE

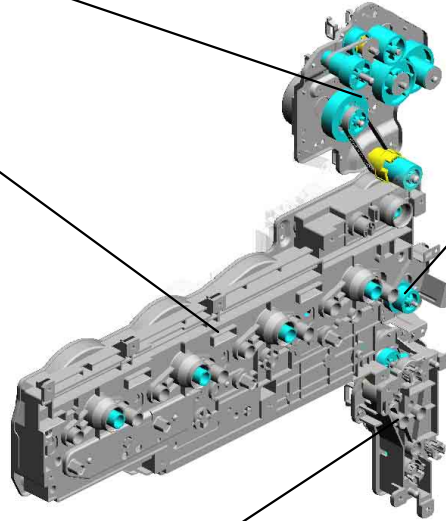
U014 S004
D2411357
DRIVE UNIT:FUSING/PAPER
EXIT UNIT:ASS'Y



U014 S002
D2411117
DRIVE UNIT:ENGINE:ASSY



U014 S001
D1491351
DRIVE UNIT:REGISTRATION:
ASS'Y



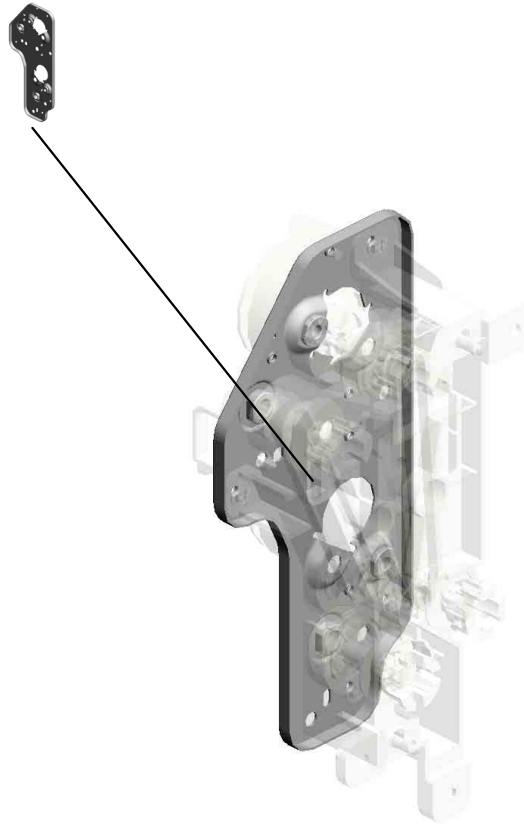
U014 S003
D2411399
DRIVE UNIT:PAPER FEED:AS
SY



U001	U002	U003	U004	U005	U006	U007	U008	U009	U010	U011	U012	U013	U014	U015	U016	U017	U018
------	------	------	------	------	------	------	------	------	------	------	------	------	------	------	------	------	------

U014_S003.DRIVE UNIT:PAPER FEED:ASS'Y

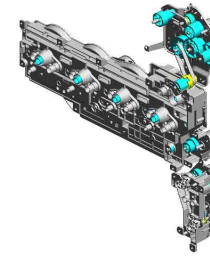
U014 S003 S001
D2021152
BRACKET:DRIVE UNIT:PAPE
R FEED:ASSY



U001	U002	U003	U004	U005	U006	U007	U008	U009	U010	U011	U012	U013	U014	U015	U016	U017	U018
------	------	------	------	------	------	------	------	------	------	------	------	------	------	------	------	------	------

U014 MAIN DRIVE

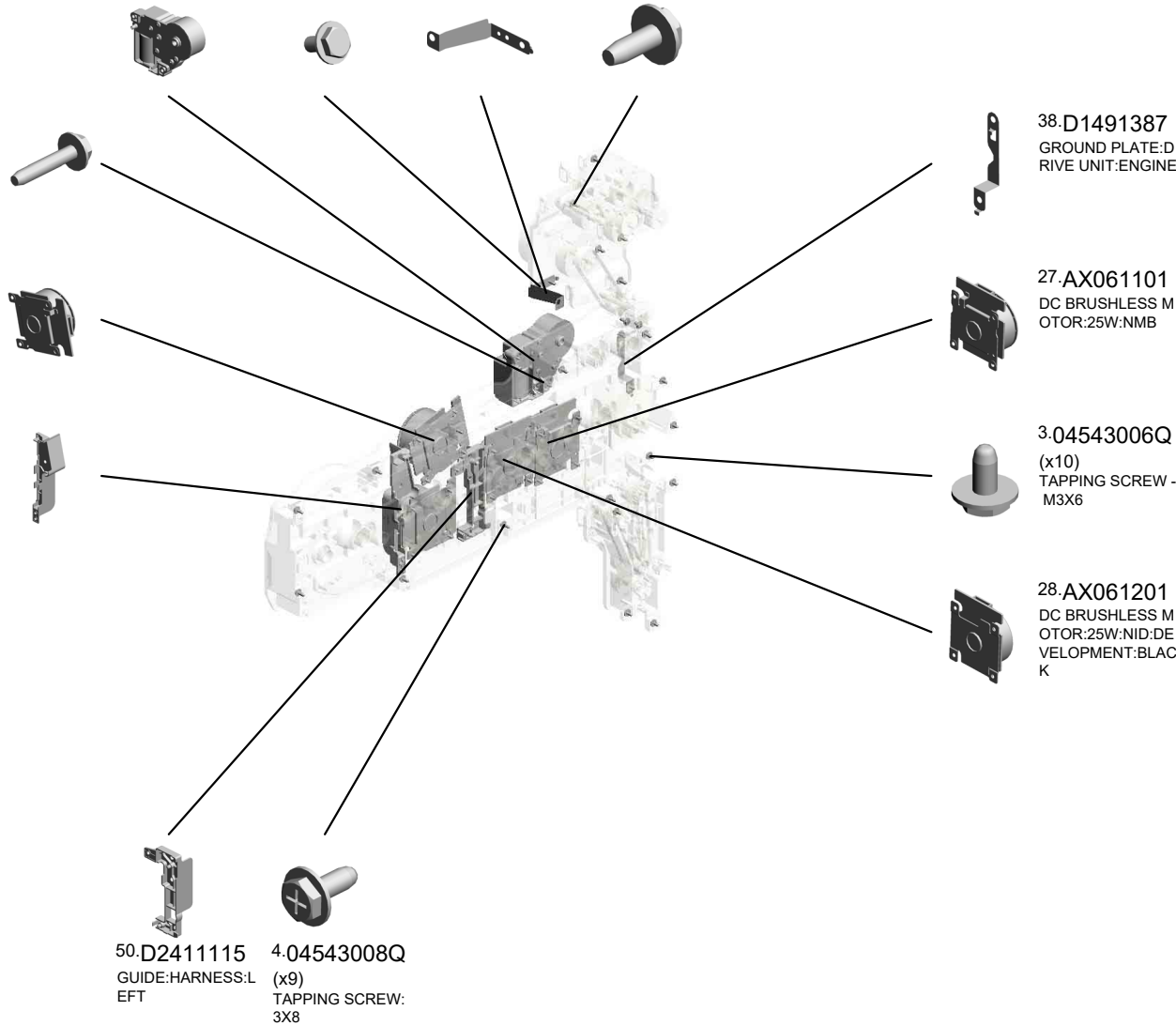
34.D1491199 DRIVE UNIT:ON-OF F:TRANSFER
 1.03603006N (x18) SCREW - M3X6
 40.D1491394 GROUND PLATE:D RIVE UNIT:FUSING /PAPER EXIT UNIT
 5.04583008N (x7) HEXAGON HEAD TAPPING SCREW:3 X8



2.03603016N (x2) SCREW - M3X16

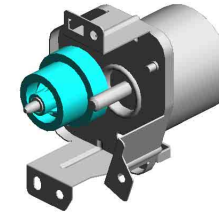
26.AX061001 (x2) DC BRUSHLESS MOTOR:40W:NMB

49.D2411113 GUIDE:HARNESS: RIGHT



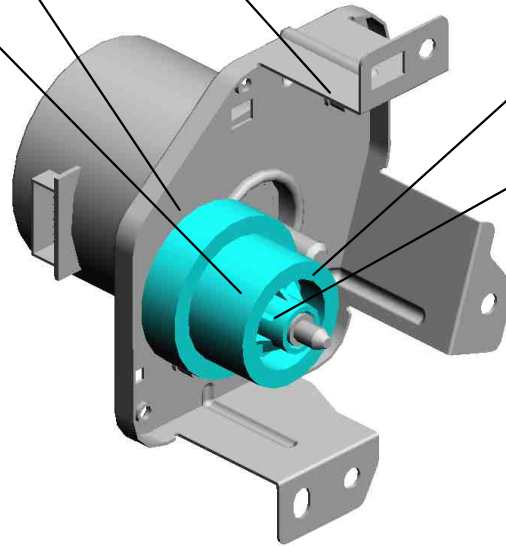
U014_S001
 DRIVE UNIT:REGISTRATION:ASS'Y

24.AX060435 1.03603006N
 DC MOTOR:GEAR: (x2)
 10W:BRUSHLESS SCREW - M3X6



35.D1491351
 DRIVE UNIT:REGISTRATION:ASSY

37.D1491355
 GEAR:REGISTRATION:NO.1



36.D1491352
 BRACKET:DRIVE UNIT:REGISTRATION:ASSY



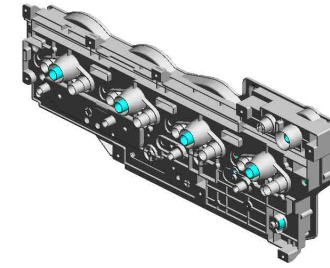
14.11050759
 CLAMP:LWSM-0605A

U001	U002	U003	U004	U005	U006	U007	U008	U009	U010	U011	U012	U013	U014	U015	U016	U017	U018
------	------	------	------	------	------	------	------	------	------	------	------	------	------	------	------	------	------

U014_S002
DRIVE UNIT:ENGINE:ASS'Y

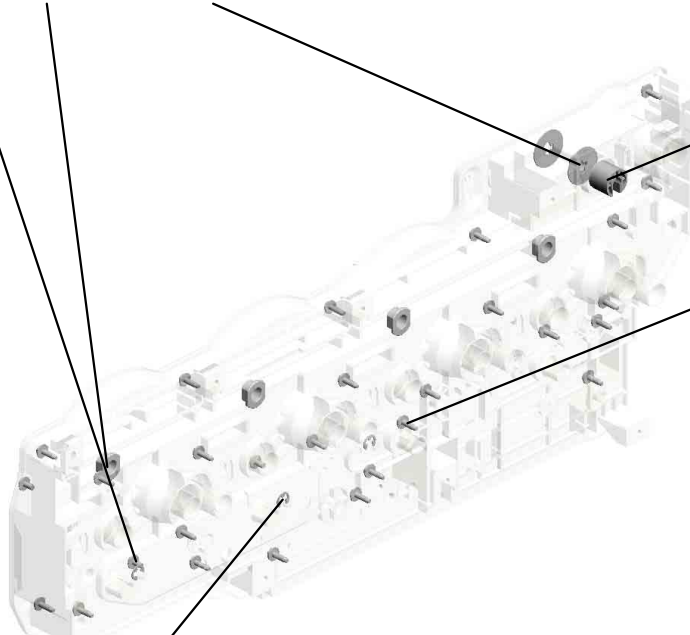
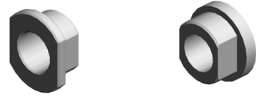
23-AA082175
(x4)
PLAIN SHAFT BEA
RING:8X12X7

20-AA080346
BUSHING:FLANGE
TYPE:DIA6

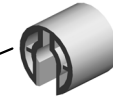


51.D2411117
DRIVE UNIT:ENGIN
E:ASS'Y

1-03603006N
(x3)
SCREW - M3X6



58-B2231163
JOINT:ON-OFF:INT
ERMEDIATE TRAN
SFER



6-04583010N
(x25)
HEXAGON HEAD T
APPING SCREW:3
X10

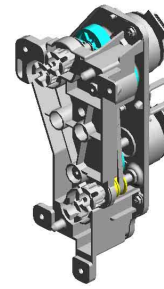


10.07200040E
(x5)
RETAINING RING -
M4



U001	U002	U003	U004	U005	U006	U007	U008	U009	U010	U011	U012	U013	U014	U015	U016	U017	U018
------	------	------	------	------	------	------	------	------	------	------	------	------	------	------	------	------	------

U014_S003
DRIVE UNIT:PAPER FEED:ASS'Y



55.D2411399
DRIVE UNIT:PAPE
R FEED:ASS'Y

8.06320100G (x2) PIN - 2X10MM
45.D2021191 GEAR:GRIP:NO.1
46.D2021193 (x2) STUD:PAPER FEE D:GRIP:ASS'Y
13.11050655 (x2) CLAMP:LWSR-181 6S
33.D1491197 GEAR:IDLER:PAPE R FEED:GRIP:NO.1

12.08050104 (x3) RETAINING RINGS -E:SILENCER:DIA4

30.D0BQ1194 PULLEY:FEED:NO. 1:MECHANICAL RO LLER CLUTCH:U 202010-03 O/O

39.D1491392 FLANGE:PAPER F EED:FEED

43.D2021143 (x4) JOINT:DRIVE

25.AX060464 (x2) DC MOTOR:ENCO DER:NO:10W:GEA R:BRUSHLESS

10.07200040E (x8) RETAINING RING - M4
31.D1491195 GEAR:IDLER:PAPE R FEED:FEED
32.D0BQ1196 GEAR:FEED:NO.2: MECHANICAL RO LLER CLUTCH:U 202009-03 O/O
1.03603006N (x8) SCREW - M3X6

17.AA043000 SYNCHRONOUS B ELT:40S3M192

18.AA043623 TIMING BELT - B40 S2M180

48.D2021196 HOUSING:DRIVE U NIT:PAPER FEED:A SSY

47.D2021195 PULLEY:GRIP:NO.2

20.AA080346 (x4) BUSHING:FLANGE TYPE:DIA6

U001	U002	U003	U004	U005	U006	U007	U008	U009	U010	U011	U012	U013	U014	U015	U016	U017	U018
------	------	------	------	------	------	------	------	------	------	------	------	------	------	------	------	------	------

U014_S003_S001
BRACKET:DRIVE UNIT:PAPER FEED:ASS'Y



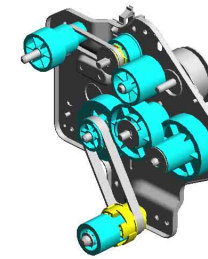
44.D2021152
BRACKET:DRIVE U
NIT:PAPER FEED:A
SS'Y

U001	U002	U003	U004	U005	U006	U007	U008	U009	U010	U011	U012	U013	U014	U015	U016	U017	U018
------	------	------	------	------	------	------	------	------	------	------	------	------	------	------	------	------	------

U014_S004

DRIVE UNIT:FUSING/PAPER EXIT UNIT:ASS'Y

- 16.11050762 CLAMP:LWS-0711A
- 41.D1491397 TORQUE LIMITER MECHANICAL CLUTCH:49MM:DIA14
- 10.07200040E (x5) RETAINING RING - M4
- 25.AX060464 DC MOTOR:ENCO DER:NO:10W:GEAR:BRUSHLESS

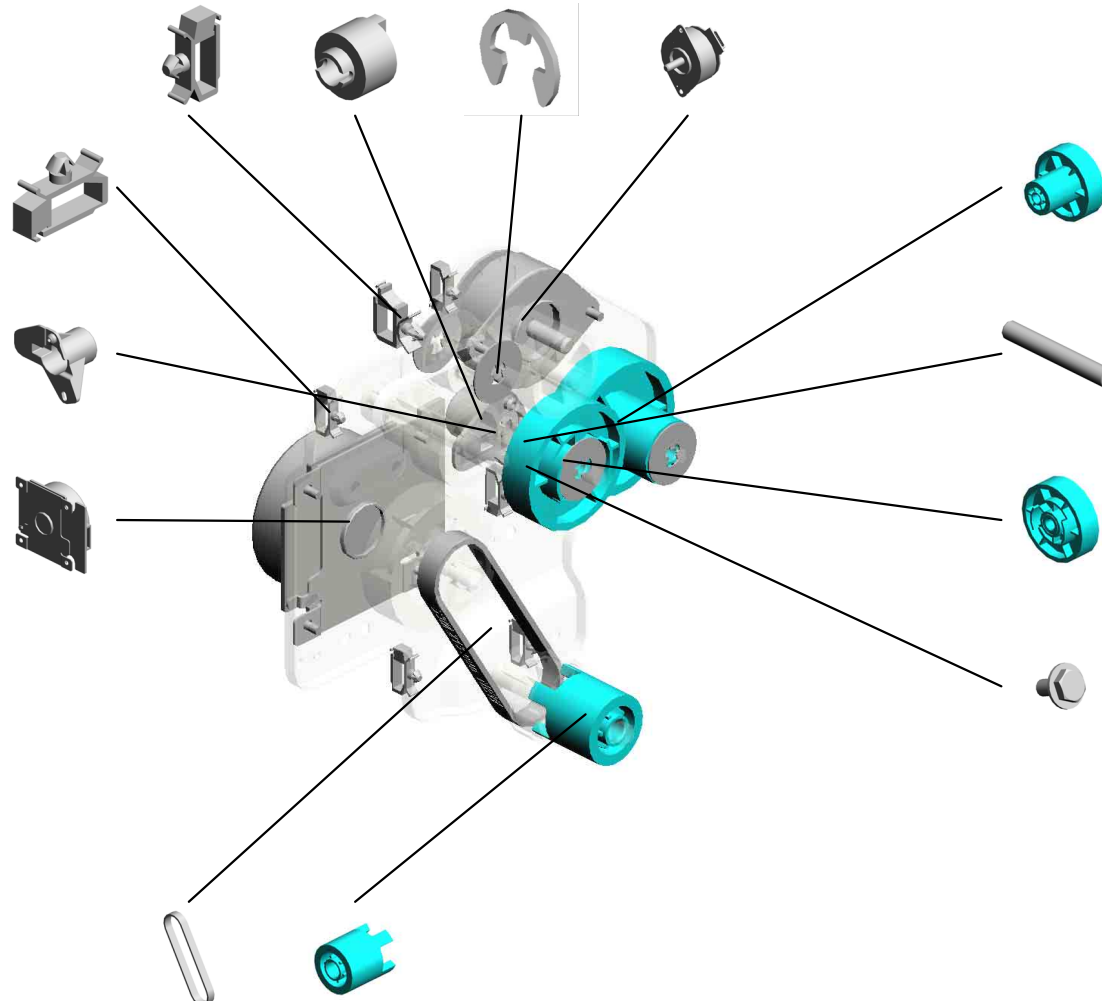


52.D2411357
DRIVE UNIT:FUSING/PAPER EXIT UNIT:ASSY

15.11050760 (x5) CLAMP:LWSM-051 1A

54.D2411396 HOLDER:TORQUE LIMITER MECHANICAL CLUTCH:PRESSURE RELEASE

29.AX061202 DC BRUSHLESS MOTOR:25W:NID:FUSING UNIT



11.07200060E (x 1) RETAINING RING - M6

42.D1751377 GEAR:PRESSURE RELEASE:NO.3

9.06320140G PARALLEL PIN

56.D0BQ1375 GEAR:PRESSURE RELEASE:NO.1:MECHANICAL ROLLER CLUTCH:U

1.03603006N (x7) SCREW - M3X6

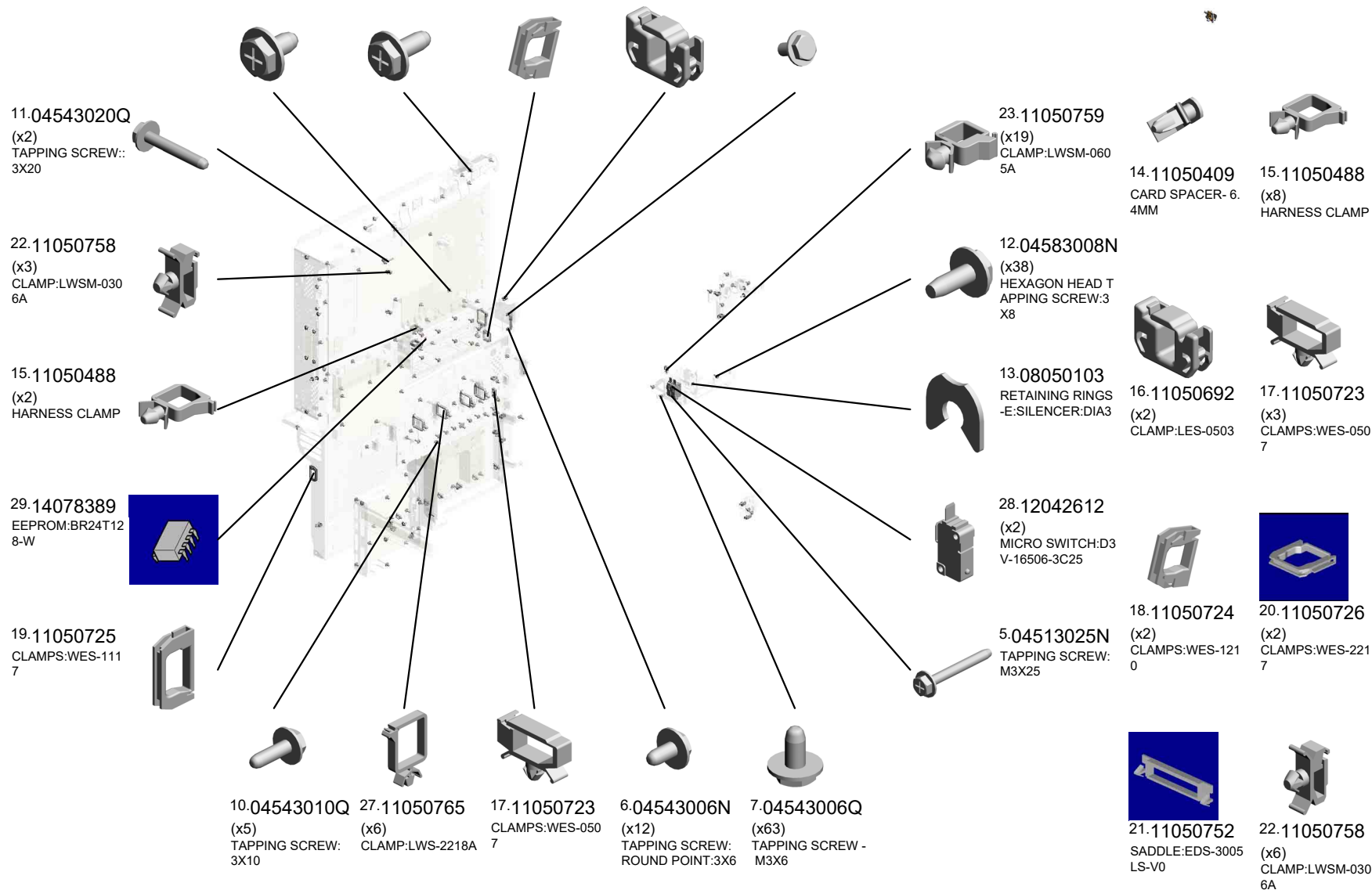
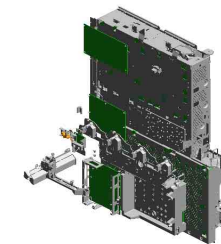
19.AA043777 SYNCHRONOUS BELT:80S3M213

53.D2411378 GEAR:FUSING:NO.3

U001	U002	U003	U004	U005	U006	U007	U008	U009	U010	U011	U012	U013	U014	U015	U016	U017	U018
------	------	------	------	------	------	------	------	------	------	------	------	------	------	------	------	------	------

U015 ELECTRICAL

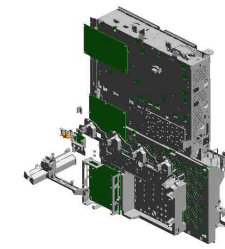
- 3.04513006N (x9) TAPPING SCREW - 3X8
- 9.04543008Q (x2) TAPPING SCREW: 3X8
- 18.11050724 CLAMPS:WES-121 0
- 16.11050692 (x2) CLAMP:LES-0503
- 2.03603006N (x2) SCREW - M3X6



U001	U002	U003	U004	U005	U006	U007	U008	U009	U010	U011	U012	U013	U014	U015	U016	U017	U018
------	------	------	------	------	------	------	------	------	------	------	------	------	------	------	------	------	------

U015 ELECTRICAL

- 35.AA161167 (x4) BUSHING:HDD
- 36.AX640236 FAN:MM60X15
- 39.AZ320197 POWER PACK:TTS :H
- 40.AZ320233 POWER PACK:CB:H 201911-05 O/O
- 30.16072525 FERRITE CORE:K3 FF 35.00X14.60X7.70X1.40



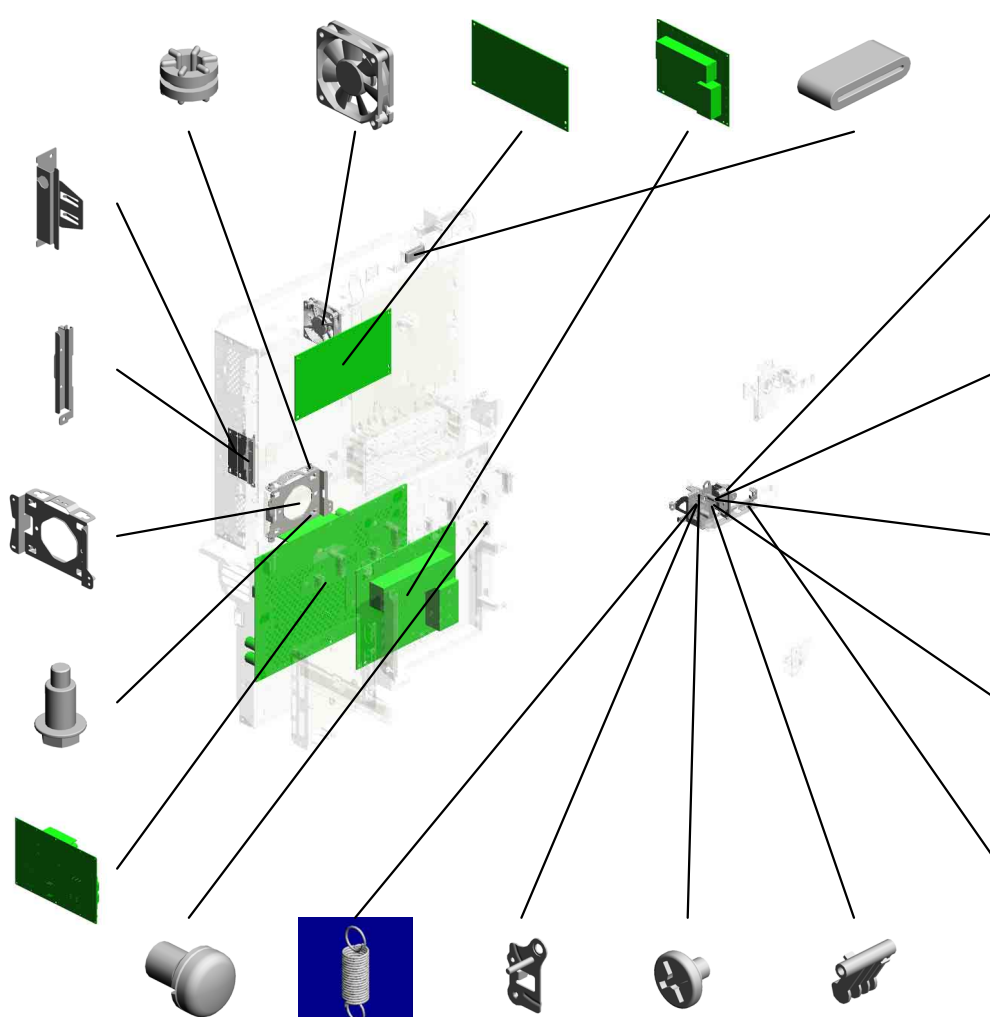
43.D0895887 (x2) PANEL:INTERFAC E

42.D0895824 COVER:SD-CARD: D086/D087

45.D1465786 BRACKET:HDD

34.AA143848 (x4) STEPPED SCREW - M3

37.AZ240386 (x2) (NA)(TWN(D240,D242)):DC POWER SUPPLY 202105-11 X/O



33.AA143592 SCREW- M4X6

32.AA061128 TENSION SPRING: SAFETY SWITCH:RIGHT

46.D1495703 BRACKET:MICRO SWITCH

41.B2231317 (x3) SCREW

48.D1495713 ARM:SAFETY SWITCH:FRONT

31.AA061127 (x2) TENSION SPRING: SAFETY SWITCH:FRONT

49.D1495714 SHAFT:ARM:SAFETY SWITCH

47.D1495711 BRACKET:ARM:SAFETY SWITCH:FRONT

50.D1495717 BASE:SAFETY SWITCH

44.D1421805 (x2) SHAFT:SCALE

23.11050759 (x36) CLAMP:LWSM-060 5A

24.11050760 (x37) CLAMP:LWSM-051 1A

25.11050762 (x13) CLAMP:LWS-0711A

26.11050764 (x7) CLAMP:LWS-1316A

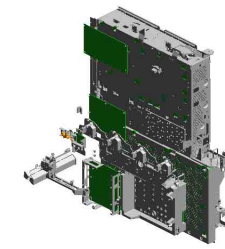
27.11050765 (x6) CLAMP:LWS-2218A

1.03530060N(x 1) BIND SCREW - M3X6
3.04513006N(x 6) TAPPING SCREW - 3X6

U001	U002	U003	U004	U005	U006	U007	U008	U009	U010	U011	U012	U013	U014	U015	U016	U017	U018
------	------	------	------	------	------	------	------	------	------	------	------	------	------	------	------	------	------

U015 ELECTRICAL

- 62.D2395884 BRACKET:BCU
- 63.D2395898 BRACKET:HELM
- 73.D2415800 RACK:RIGHT:AUXILIARY
- 61.D2395883 GROUND PLATE:BCU
- 55.D1495810 BRACKET:RACK:UPPER



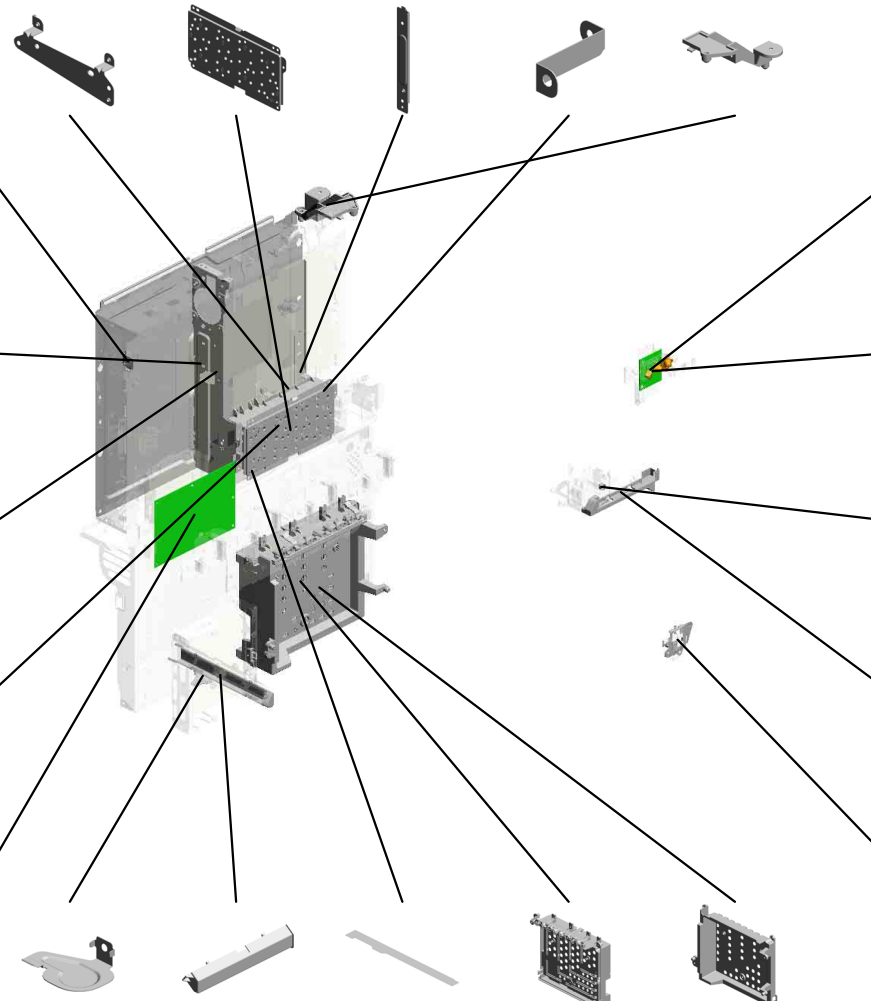
54.D1495776
COVER:USB:SMALL

74.D2415801
COVER:RACK:REAR

72.D2415796
RACK:MIDDLE

64.D2395899
CAP:HELM

66.D2415112
PCB:IOB:ENGINE



57.D1495824
COVER:CONNECTOR:HEATER:0.4MM

53.D1495742
COVER:HARNESS:OPTICAL WRITING UNIT

56.D1495818
SPACER:FFC

70.D2415764
COVER:POWER PACK:CB

71.D2415765
CASE:POWER PACK:CB

68.D2415192
PCB:MSSENS2

67.D2415190
(x2)
PCB:MSSENS1

51.D1495718
TORSION SPRING:SAFETY SWITCH

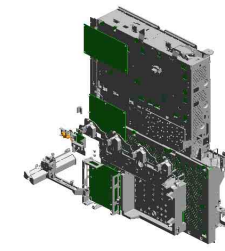
52.D1495726
LEVER:SAFETY SWITCH:RIGHT

69.D2415738
BRACKET:MAIN SWITCH
202101-01 X/O

- 4.04513008N(x14)
TAPPING SCREW - M3X8
- 6.04543006N(x 4)
TAPPING SCREW:ROUND POINT:3X6
- 7.04543006Q(x23)
TAPPING SCREW - M3X6
- 8.04543008N(x 2)
TAPPING SCREW:ROUND POINT:3X8
- 12.04583008N(x 3)
HEXAGON HEAD TAPPING SCREW:3X8

U015 ELECTRICAL

76.D2415803 GUIDE:HARNESS:C/T BOX
 77.D2415817 GUIDE:FFC:2
 80.D2415841 BASE:GUIDE:WIRE
 86.D2415854 WIRE:CHARGE:M
 75.D2415802 GUIDE:FFC:SCANNER



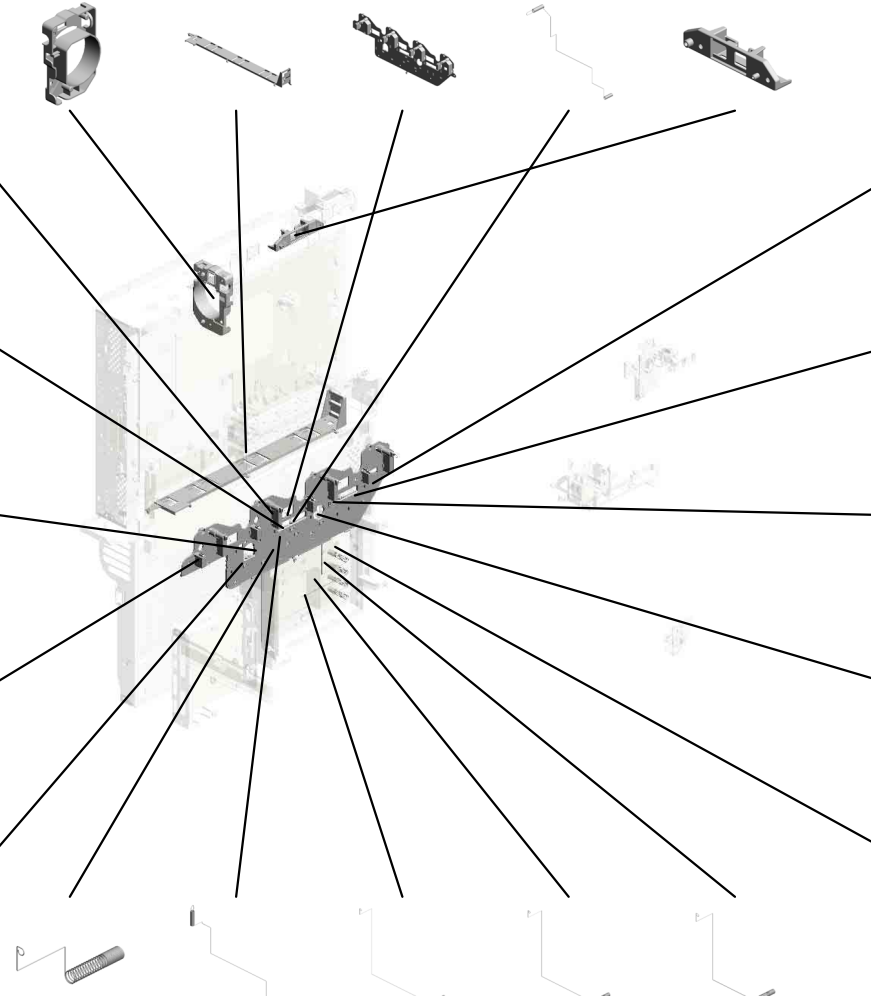
78.D2415831
(x4)
CAP:GUIDE:WIRE

81.D2415842
COVER:GUIDE:WIRE

88.D2415856
WIRE:CHARGE:Y

79.D2415832
(x4)
CAP:GUIDE:COIL SPRING

89.D2415857
WIRE:DEVELOPMENT:Y



82.D2415850
WIRE:CHARGE:K

83.D2415851
WIRE:DEVELOPMENT:K

84.D2415852
WIRE:CHARGE:C

85.D2415853
WIRE:DEVELOPMENT:C

94.D2415879
WIRE:DEVELOPMENT:CB:Y

90.D2415875
(x4)
WIRE:CHARGE:CB

87.D2415855
WIRE:DEVELOPMENT:M

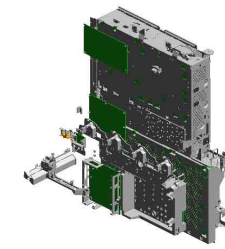
91.D2415876
WIRE:DEVELOPMENT:CB:K

92.D2415877
WIRE:DEVELOPMENT:CB:C

93.D2415878
WIRE:DEVELOPMENT:CB:M

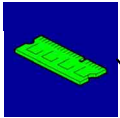
U001	U002	U003	U004	U005	U006	U007	U008	U009	U010	U011	U012	U013	U014	U015	U016	U017	U018
------	------	------	------	------	------	------	------	------	------	------	------	------	------	------	------	------	------

U015 ELECTRICAL



- 110.D0AD5668 (D0AG):PCB:SERVIC
CE
201906-04 O/O
- 111.D0AD5667 (x2)
(D0AF-NA/EU):PCB
:SERVICE
201912-02 O/O
- 112.D0AD5659 (D0AE):PCB:SERVIC
CE
201908-07 O/O
- 100.D2425646 PCB:IMAGE PROC
ESSING UNIT_CDE
- 95.D2415889 SPRING PLATE:IM
AGE PROCESSING
UNIT

99.D2425605
(EU/NA(-17)/AA/KO
R/TWN/CHN):PCB:
DDR3-DIMM:2GB:A
SS'Y



114.D2385689
(D240):PCB:SERVIC
CE
201908-08 O/O



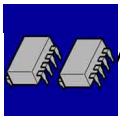
115.D2385693
(EU):(D241):PCB:S
ERVICE
202002-01 O/O



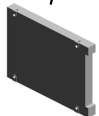
116.D2385694
(D242):PCB:SERVIC
CE
201907-05 O/O



101.D2429591
NVRAM



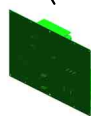
103.M4445201
HDD:320GB:AQUA
RIUS



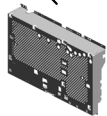
108.D2415110
PCB:IOB:TRANSP
ORT
201707-01 O/O



107.AZ240387
(x3)
(EU/AA/KOR/CHN):
DC POWER SUPPL
Y
202105-12 X/O



113.D1495822
BRACKET:POWER
SUPPLY UNIT



117.D2415797
FRAME:RACK:RIG
HT:PEEN



109.D0AG5116
BCU:TYPE-H3:ASS'
Y
201710-04 X/O



97.D2425184
(x2)
(NA)(TWN(D240,D2
42)):AC CONTROL
BOARD



98.D2425186
(x3)
(EU/AA/KOR/CHN):
AC CONTROL BOA
RD

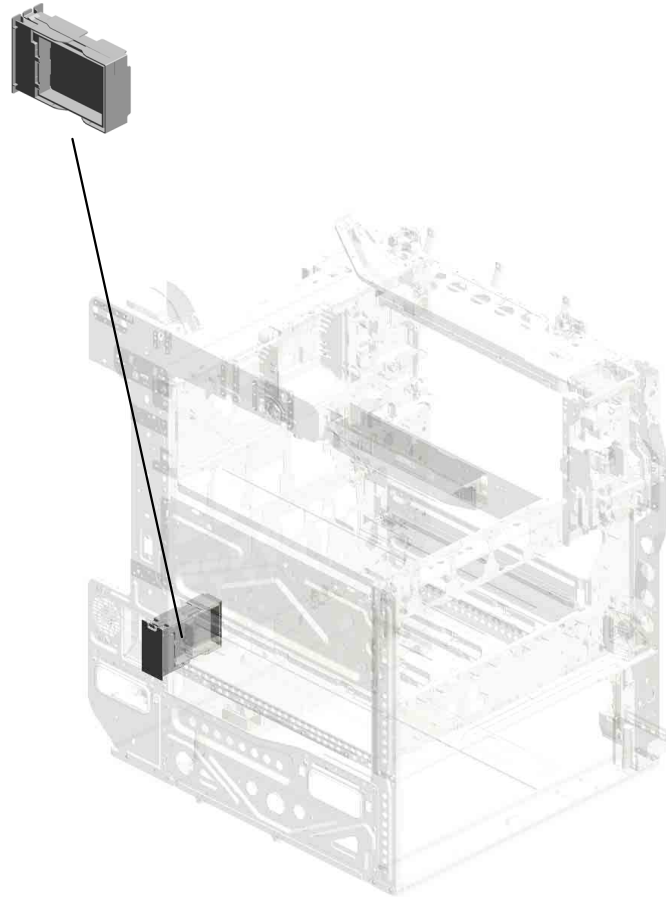


102.D2445730
PCB:DCSW



U016.MAIN FRAME

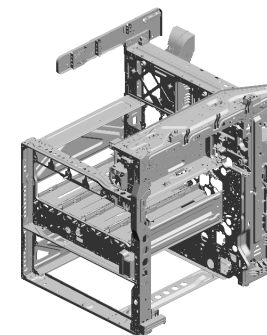
U016 S001
D1497935
CASE:FILTER:ASSY



U001	U002	U003	U004	U005	U006	U007	U008	U009	U010	U011	U012	U013	U014	U015	U016	U017	U018
------	------	------	------	------	------	------	------	------	------	------	------	------	------	------	------	------	------

U016 MAIN FRAME

- 10.AX640199 (x2) FAN:MM80:25MM:DC 2.16W
- 6.04543008Q (x3) TAPPING SCREW: 3X8
- 16.D1175303 THERMISTOR
- 5.04543006Q (x7) TAPPING SCREW - M3X6
- 3.04533008N BINDING SELF TAPPING SCREW:3X8



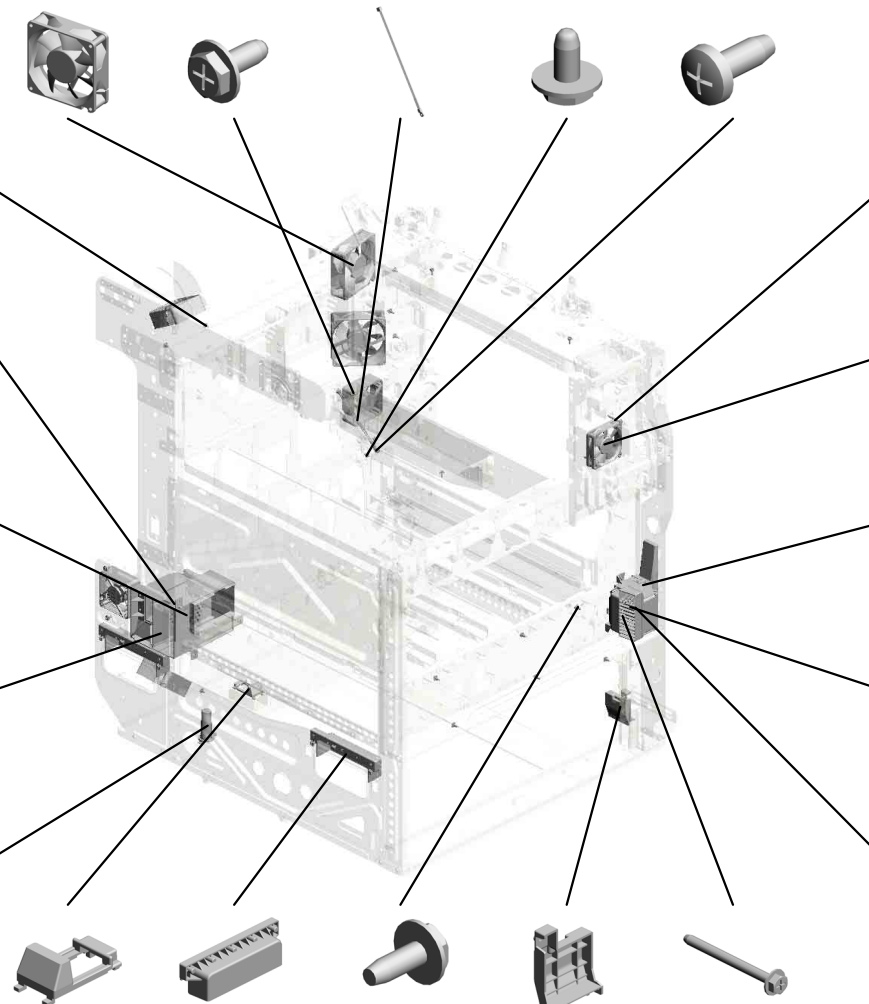
- 4.04543006N (x2) TAPPING SCREW: ROUND POINT:3X6

- 13.AX660015 DC FAN MOTOR:SI ROCCO:DC24V:PWM

- 22.D1497931 DUCT:DEVELOPMENT:EXHAUST

- 8.08025328 (x2) HEXAGON HEAD TAPPING SCREW:3 X40

- 15.B2381089 COVER - POSITIONING PIN



- 14.B2381088 COVER - CONNECTOR

- 18.D1491099 (x2) COVER:GRIP:LEFT

- 7.04583008N (x13) HEXAGON HEAD TAPPING SCREW:3 X8

- 19.D1491338 GUIDE PLATE:PAPER FEED TABLE:FRONT

- 2.04503035N (x2) TAPPING SCREW: 3X35

- 1.04503025N (x2) TAPPING SCREW: 3X25



- 12.AX640236 FAN:MM60X15

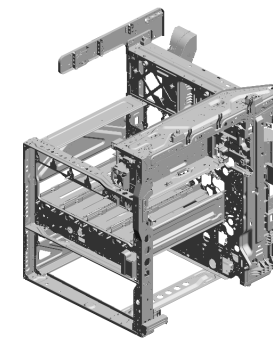
- 5.04543006Q (x 1) TAPPING SCREW - M3X6
- 7.04583008N (x 1) HEXAGON HEAD TAPPING SCREW:3 X 8

- 21.D1497923 DUCT:DEVELOPMENT:RIGHT LOWER

- 20.D1497922 COVER:FAN:DEVELOPMENT:RIGHT LOWER

- 11.AX640219 (x5) DC FAN MOTOR:DC24V:MM60:25MM

U016 MAIN FRAME



- 27.D1497952 DUCT:SUPPLY:B
- 30.D1497955 DUCT:SUPPLY:FAN:UPPER
- 31.D1497956 DUCT:SUPPLY:FAN:LOWER
- 42.D2417941 DUCT:EXHAUST:UPPER:A
- 43.D2417942 DUCT:EXHAUST:UPPER:B

35.D1497972
DUCT:EXHAUST:REAR:EAR:B

36.D1497973
DUCT:EXHAUST:REAR:EAR:C

26.D1497951
DUCT:SUPPLY:A

34.D1497971
DUCT:EXHAUST:REAR:EAR:A

37.D1497981
DUCT:POWER SUPPLY UNIT:EXHAUST

44.D2417943
DUCT:EXHAUST:UPPER:C

41.D1501095
BRACKET:POSITIONING:FUSING UNIT:M3

33.D1497958
DUCT:DRIVE:COOLING:B

29.D1497954
DUCT:SUPPLY:D

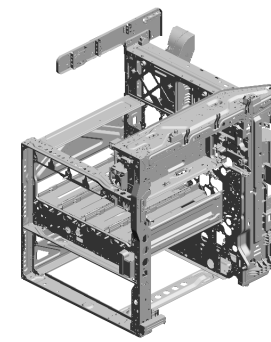
28.D1497953
DUCT:SUPPLY:C

- 39.D1497983 BRACKET:FAN:POWER SUPPLY UNIT
- 38.D1497982 DUCT:POWER SUPPLY UNIT
- 23.D1497932 DUCT:PCU:EXHAUST
- 32.D1497957 DUCT:DRIVE:COOLING:A
- 40.D1497986 GUIDE:THERMISTOR

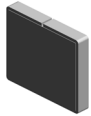
U001	U002	U003	U004	U005	U006	U007	U008	U009	U010	U011	U012	U013	U014	U015	U016	U017	U018
------	------	------	------	------	------	------	------	------	------	------	------	------	------	------	------	------	------

U016 MAIN FRAME

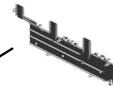
45.D2417944
DUCT:EXHAUST:U
PPER:D



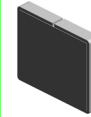
46.M0BW7945
[A]
DEODORIZE FILTE
R
202203-03 X/O



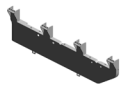
48.D2417984
DUCT:DEVELOPM
ENT:REAR:B



D2417945
[A]
DEODORIZE FILTE
R
202203-03 X/O



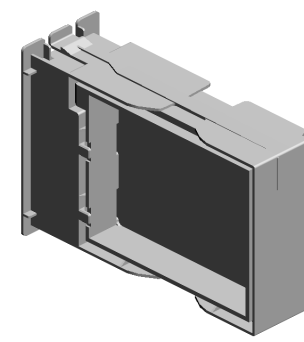
47.D2417983
DUCT:DEVELOPM
ENT:REAR:A



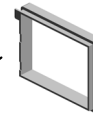
U001	U002	U003	U004	U005	U006	U007	U008	U009	U010	U011	U012	U013	U014	U015	U016	U017	U018
------	------	------	------	------	------	------	------	------	------	------	------	------	------	------	------	------	------

U016_S001
CASE:FILTER:ASS'Y

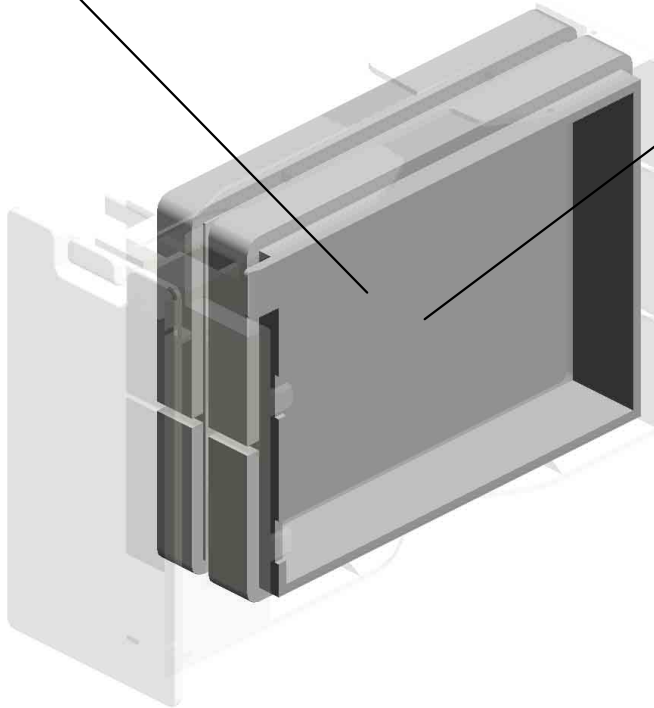
25.D1497938
OZONE FILTER



24.D1497935
CASE:FILTER:ASS'
Y



17.D1477937
FILTER:PREVENTF
ENCE:10



U001	U002	U003	U004	U005	U006	U007	U008	U009	U010	U011	U012	U013	U014	U015	U016	U017	U018
------	------	------	------	------	------	------	------	------	------	------	------	------	------	------	------	------	------

U017 OPTION

8.D3BR2201 (x2)
(NA)(TWN(D240,D242)):HEATER:PHOTOCONDUCTOR:ASS'Y
201705-06 X/O

10.D2380073 (x2)
(NA)(TWN(D240,D242)):HEATER:SCANNER:120V:ASS'Y
201712-02 X/O

2.D2380072 (x3)
(EU/AA/KOR/CHN):HEATER:SCANNER:220/240V:ASS'Y

9.D3BR2202 (x3)
(EU/AA/KOR/CHN):HEATER:PHOTOCONDUCTOR:ASS'Y
201705-07 X/O

3.D2386630 (x2)
(NA)(TWN(D240,D242)):HEATER:PAPER TRAY:120V:ASS'Y

4.D2386640 (x3)
(EU/AA/KOR/CHN):HEATER:PAPER TRAY:220/240V:ASS'Y

5.D2386650 (x5)
PCB:DHB:ASS'Y

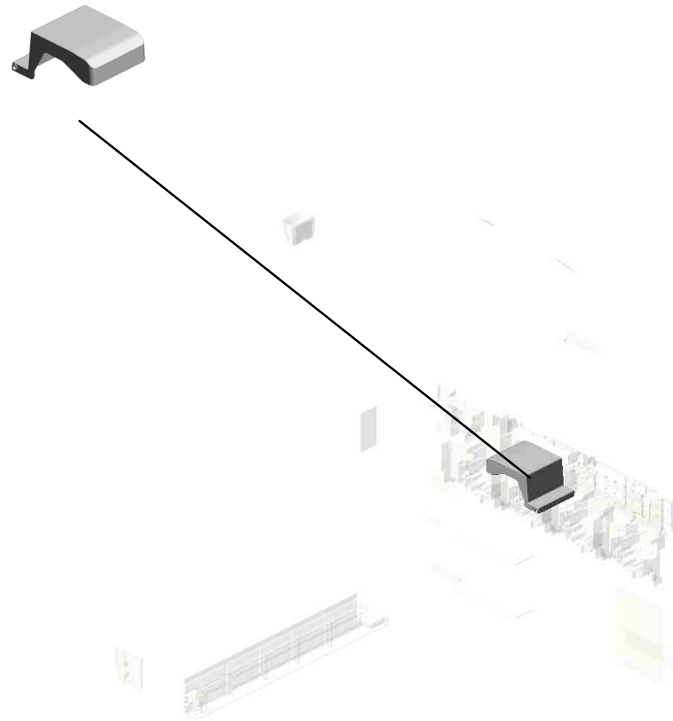
6.D2386661 (x2)
(NA)(TWN(D240,D242)):HEATER:PAPER TRAY:ELECTRICAL COMPONENTS SECTION:ASS'Y

7.D2386662 (x3)
(EU/AA/KOR/CHN):HEATER:PAPER TRAY:ELECTRICAL COMPONENTS SECTION:ASS'Y

U001	U002	U003	U004	U005	U006	U007	U008	U009	U010	U011	U012	U013	U014	U015	U016	U017	U018
------	------	------	------	------	------	------	------	------	------	------	------	------	------	------	------	------	------

U018.ACCESSORIES

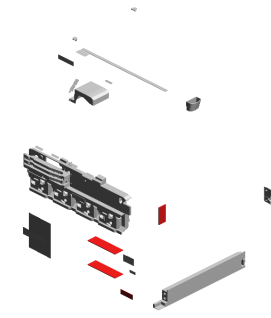
U018 S001
D2414472
END FENCE:TRAY:EXIT:ASS'
Y



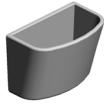
U001	U002	U003	U004	U005	U006	U007	U008	U009	U010	U011	U012	U013	U014	U015	U016	U017	U018
------	------	------	------	------	------	------	------	------	------	------	------	------	------	------	------	------	------

U018 ACCESSORIES

- 26.D1496767 (CHN):DECAL:CAUTION:ORIGINAL:CHINESE
- 27.D1496768 (TWN):DECAL:CAUTION:ORIGINAL:TAIWAN
- 13.D1201556 (AA/KOR):SHEET:LOGO:LAN
- 14.D1201557 (x2) (AA/KOR/CHN(-22)):SHEET:LOGO:GES
- 21.D1491553 (EU/NA/AA/KOR/TWN/CHN(-21)):SHEET:LOGO



16.D2581317
HOLDER:GLASS:CLEANER:ASS'Y
201610-01 O/O



17.D1491321
(x4)
(EU/NA/AA/KOR/TWN):DECAL:TONE R BOTTLE:BK



28.D1496851
(x2)
(NA/AA/KOR):DECAL:MAIN SWITCH:ON-STANDBY:ENGLISH



29.D1496852
(x3)
(EU/TWN/CHN):DECAL:MAIN SWITCH:ON-STANDBY



15.D1491264
CAP:ROCKER SWITCH



18.D1491322
(x4)
(EU/NA/AA/KOR/TWN):DECAL:TONE R BOTTLE:C



9.AA001564
(EU/NA/AA/KOR/TWN/CHN(-21)):PLATE:LOGOTYPE:RICOH



10.AA001565
(AA/KOR):PLATE:LOGOTYPE:LAN



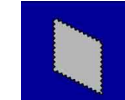
11.AA001567
(x2)
(AA/KOR/CHN(-22)):PLATE:LOGOTYPE:GESTETNER



19.D1491323
(x4)
(EU/NA/AA/KOR/TWN):DECAL:TONE R BOTTLE:M



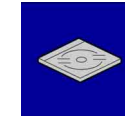
8.16072470
(x3)
(EU/AA/KOR/CHN):FERRITE CORE:G RFC-10



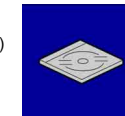
12.B0651374
CLOTH - DF EXPOSURE GLASS



32.D2197454
(x3)
(NA/AA/KOR/TWN):CAUTION CHART



41.D2417852
(EU):CD-ROM:DRIVER ASS'Y



47.D2447854
(CHN):CD-ROM:DRIVER ASS'Y



50.D3B06303
(x4)
(EU(D24065/D24066/D24165/D24166/D24227/D24266/D0AE65/D0AE66/D0AF65/D0AF66/D0AG27/



51.D3B06304
(CHN):(D240/D0AG66):DECAL:CAUTION:ORIGINAL



52.D6836031
(EU(D24065/D24066/D24165/D24166/D24227/D24266/D0AE65/D0AE66/D0AF65/D0AF66/D0AG27/D0AG66)/NA/AA/KO



30.D1496862
DECAL-SIZE INDICATION:PAPER TRAY



20.D1491324
(x4)
(EU/NA/AA/KOR/TWN):DECAL:TONE R BOTTLE:Y



22.D1494390
(x2)
(NA/AA/KOR):DECAL:CAUTION:INKJET
201611-04

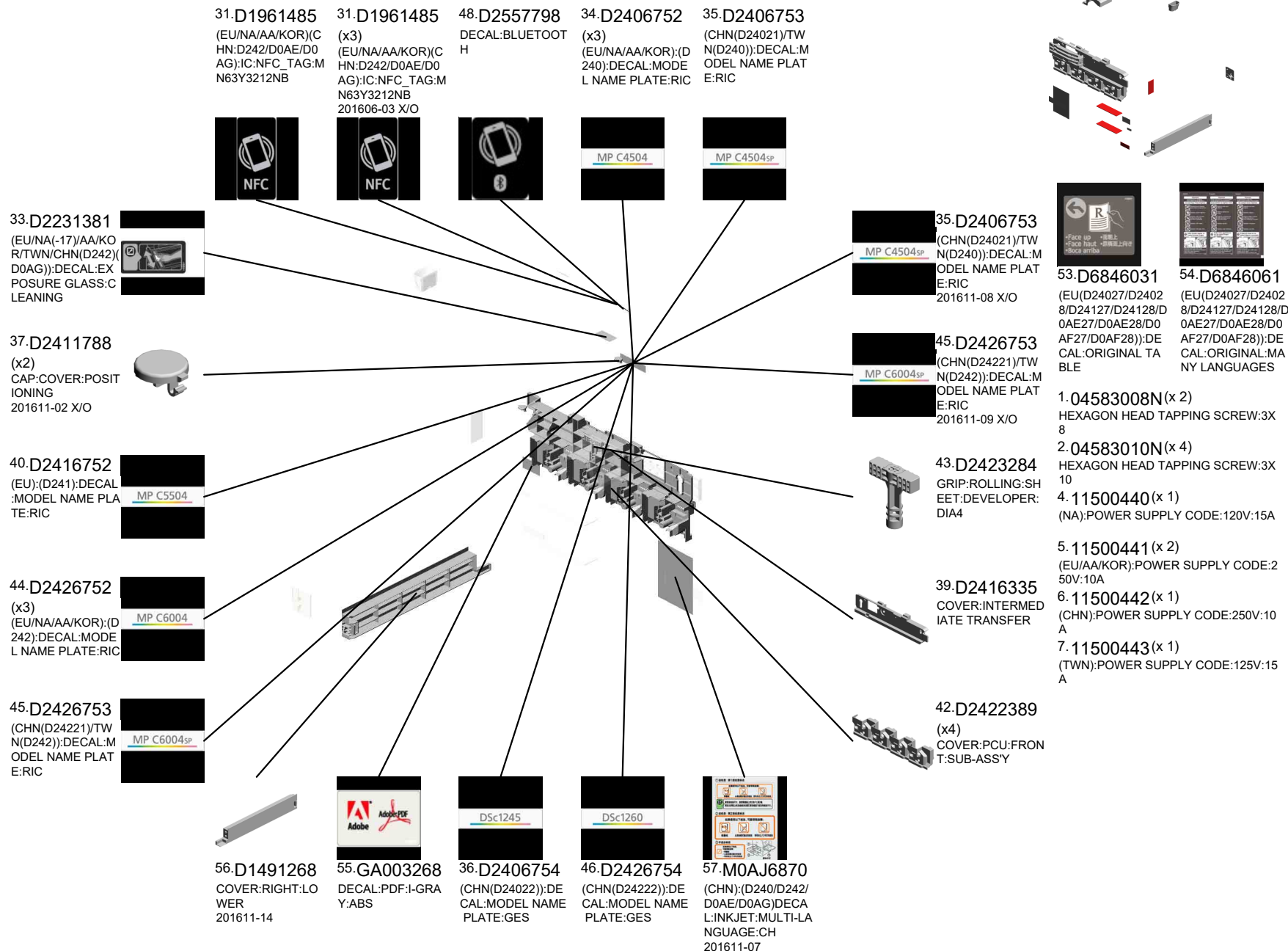


23.D1496667
(CHN):DECAL:CAUTION:INKJET
201611-05



24.D1496668
(TWN):DECAL:CAUTION:INKJET
201611-06

U018 ACCESSORIES



U018 ACCESSORIES

60.D0BQ6766 (x2)
(NA/AA_KOR);DECAL:CAUTION:ORIGINAL:ENGLISH
201811-07 O/O



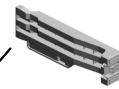
60.D0CZ6766 (EU);DECAL:CAUTION:ORIGINAL:ORIGINAL:202012-01 X/O



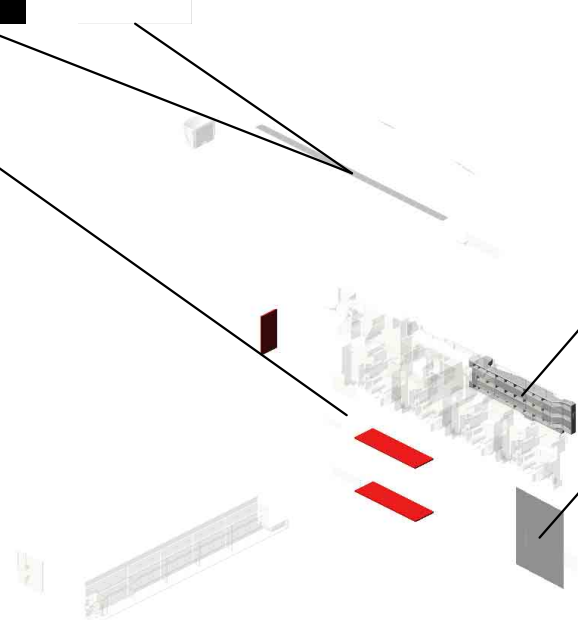
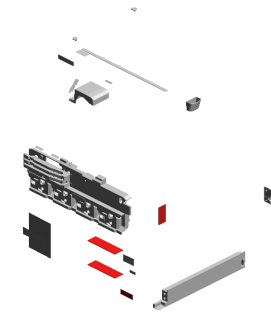
62.M0AJ6856 (x3)
(EU/NA/AA/KOR);DECAL:INKJET:MANUAL FEED
201901-05 O/O



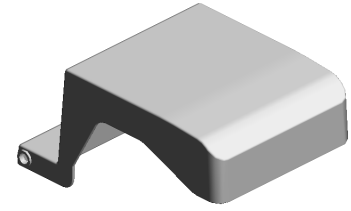
59.D2411299
GUIDE PLATE:SCANNER



58.M0AJ6871 (TWN);DECAL:INKJET:MULTI-LANGUAGE
201704-03



U018_S001
END FENCE:TRAY:EXIT:ASS'Y



38.D2414472
END FENCE:TRAY:
EXIT:ASS'Y



3.08050103
RETAINING RINGS
-E:SILENCER:DIA3

U001	U002	U003	U004	U005	U006	U007	U008	U009	U010	U011	U012	U013	U014	U015	U016	U017	U018
------	------	------	------	------	------	------	------	------	------	------	------	------	------	------	------	------	------

SPECIAL TOOLS



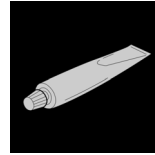
1.52039502
Silicon Grease G-501



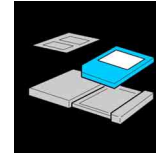
2.A0929503
C4 Color Test Chart (3 pcs/set)



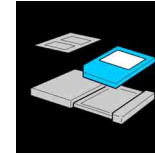
3.A1849501
Scanner Positioning Pin (2pcs/set)



4.A2579300
Grease Barrierta S552R



5.B6455020
SD Card (1GB)



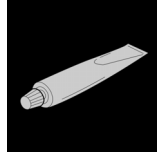
6.B6455060
SD Card (16GB)



7.C4019503
20X Magnification Scope



8.VSSG9002
FLUOTRIBO MG GREASE: 100G



9.VSSG9008
FLOIL-G348 GREASE 20G
201802-08

Exclusive Parts

Number	Part Name	Group	ID
52039502	Silicon Grease G-501	SPECIAL TOOLS	1
52062686	SNAP RING	U001	5
		U005_S004	12
		U005_S005	12
52152621	SNAP RING - M6	U009	7
		U013	18
54472681	SNAP RING	U009	8
		U013	19
A0929503	C4 Color Test Chart (3 pcs/set)	SPECIAL TOOLS	2
A1849501	Scanner Positioning Pin (2pcs/set)	SPECIAL TOOLS	3
A2324666	CUSHION - STEPPER MOTOR	U012_S001	12
A2501752	EXPOSURE GLASS	U003	17
A2579300	Grease Barrierta S552R	SPECIAL TOOLS	4
AA001564	(EU/NA/AA/KOR/TWN/CHN(-21)):PLATE:LOGOTYPE:RIC	U018	9
AA001565	(AA/KOR):PLATE:LOGOTYPE:LAN	U018	10
AA001567	(AA/KOR/CHN(-22)):PLATE:LOGOTYPE:GES	U018	11
AA021031	MAGNETIC CATCH	U001	6
AA043000	SYNCHRONOUS BELT:40S3M192	U014_S003	17
AA043623	TIMING BELT - B40S2M180	U014_S003	18
AA043777	SYNCHRONOUS BELT:80S3M213	U014_S004	19
AA061127	TENSION SPRING:SAFETY SWITCH:FRONT	U015	31
AA061128	TENSION SPRING:SAFETY SWITCH:RIGHT	U015	32
AA061207	TENSION SPRING:BRACKET:IDLER	U011	19
AA061208	TENSION SPRING:STRIPPER PLATE	U011_S001	20
		U011_S002	20
		U011_S003	20
		U011_S004	20
		U011_S005	20
		U011_S006	20
AA061209	TENSION SPRING:GATE PAWL	U011_S001	21
		U011_S002	21
		U011_S003	21
		U011_S004	21

Number	Part Name	Group	ID
		U011_S005	21
		U011_S006	21
AA061211	TENSION SPRING:HOLDER:FUSING EXIT	U011_S001	22
		U011_S002	22
		U011_S003	22
		U011_S004	22
		U011_S005	22
		U011_S006	22
AA063732	COMPRESSION SPRING:PRESSURE ROLLER	U011_S001	23
		U011_S002	23
		U011_S003	23
		U011_S004	23
		U011_S005	23
AA063942	COMPRESSION SPRING:REGISTRATION:DRIVE	U009	9
AA063943	COMPRESSION SPRING:GUIDE PLATE:REGISTRATION:4N	U009	10
AA080252	BUSHING - M4	U012_S001	13
AA080346	BUSHING:FLANGE TYPE:DIA6	U009	11
		U014_S002	20
		U014_S003	20
AA080387	PLAIN SHAFT BEARING:EXIT ROLLER:FUSING EXIT:RIGHT:FRONT	U011_S001	24
		U011_S002	24
		U011_S003	24
		U011_S004	24
		U011_S005	24
		U011_S006	24
AA080388	PLAIN SHAFT BEARING:EXIT ROLLER:FUSING EXIT:RIGHT:REAR	U011_S001	25
		U011_S002	25
		U011_S003	25
		U011_S004	25
		U011_S005	25
		U011_S006	25
AA082101	BUSHING - 6X10X6	U008	8
AA082144	BUSHING - 8X12X7	U009	12
AA082171	PLAIN SHAFT BEARING:6X10X6	U013_S001	22
AA082173	PLAIN SHAFT BEARING:6X10X6	U005	13

Exclusive Parts

Number	Part Name	Group	ID
AA082175	PLAIN SHAFT BEARING:8X12X7	U005	15
		U014_S002	23
AA082187	BUSHING:DIA6XDIA10X9:EG-1	U013_S001	24
AA082193	PLAIN SHAFT BEARING:DIA4XDIA8X5:EG-1-J	U012_S001	14
		U013_S001	21
AA082195	PLAIN SHAFT BEARING:DIA6XDIA10X6	U005_S004	13
		U005_S005	13
		U012_S001	15
		U013_S001	23
AA082196	BUSHING:DIA6XDIA10X9	U005_S004	14
		U005_S005	14
AA083014	ONE-WAY CLUTCH	U013_S001	25
AA083018	ROLLER CLUTCH - 6X14X10	U013_S001	26
AA100014	RETAINING RING C - SEPARATE	U005_S004	16
		U005_S005	16
		U013_S001	27
AA100016	RETAINING RINGS-C:DIA3	U011_S001	26
		U011_S002	26
		U011_S003	26
		U011_S004	26
		U011_S005	26
		U011_S006	26
AA100018	STEPPED SCREW:FIX:FUSING	U011_S001	27
		U011_S002	27
		U011_S003	27
		U011_S004	27
		U011_S005	27
		U011_S006	27
AA132208	SPACER - M6	U008_S001	9
		U008_S004	9
		U008_S005	9
		U008_S006	9
		U008_S007	9
		U008_S008	9
AA143219	STEPPED SCREW	U011	28
AA143537	SCREW:M3:BLACK	U001	7
		U003	18
AA143579	SCREW - M3	U013_S001	28

Number	Part Name	Group	ID
AA143592	SCREW- M4X6	U015	33
AA143595	STEPPED SCREW:M3	U001	8
AA143807	SCREW:A	U013_S001	29
AA143848	STEPPED SCREW - M3	U015	34
AA148871	SHAFT:GEAR:IDLER:WORM GEAR	U011	29
AA161167	BUSHING:HDD	U015	35
AB010157	GEAR:SEPARATE:DRIVEN	U013_S001	31
AB011252	GEAR - 20Z	U013_S001	32
AB011571	GEAR:Z19:DRIVE:REGISTRATION	U009	13
AB011572	GEAR:Z19:DRIVEN:REGISTRATION	U005	17
AB011573	GEAR:REGISTRATION:NO.2	U005	18
AB012099	GEAR:ON-OFF:PRESSURE ROLLER	U011_S001	30
		U011_S002	30
		U011_S003	30
		U011_S004	30
		U011_S005	30
		U011_S006	30
AB012102	GEAR:IDLER:WORM GEAR	U011	31
AB012104	GEAR:IDLER:LIGHT SHIELDING PLATE	U011	32
AB012107	GEAR:IDLER:EXIT:FUSING EXIT:1	U011_S001	33
		U011_S002	33
		U011_S003	33
		U011_S004	33
		U011_S005	33
		U011_S006	33
AB012108	GEAR:IDLER:EXIT:FUSING EXIT:2	U011_S001	34
		U011_S002	34
		U011_S003	34
		U011_S004	34
		U011_S005	34
		U011_S006	34
AB012109	GEAR:IDLER:EXIT:FUSING EXIT:3	U011_S001	35
		U011_S002	35
		U011_S003	35
		U011_S004	35
		U011_S005	35

Exclusive Parts

Number	Part Name	Group	ID
		U011_S006	35
AB012110	GEAR:EXIT ROLLER:FUSING EXIT:RIGHT	U011_S001	36
		U011_S002	36
		U011_S003	36
		U011_S004	36
		U011_S005	36
		U011_S006	36
AB012111	GEAR:PRESSURE ROLLER:EXIT	U011_S001	37
		U011_S002	37
		U011_S003	37
		U011_S004	37
		U011_S005	37
AB012116	GEAR:DRIVE:FUSING UNIT	U011_S001	38
		U011_S002	38
		U011_S003	38
		U011_S004	38
		U011_S005	38
		U011_S006	38
AB012119	GEAR:PRESSURE ROLLER	U011_S001	100
		U011_S002	100
		U011_S003	100
		U011_S004	100
		U011_S005	100
		U011_S006	100
AB012120	GEAR:IDLER:PRESSURE ROLLER	U011_S001	103
		U011_S002	103
		U011_S003	103
		U011_S004	103
		U011_S005	103
		U011_S006	103
AE020261	PRESSURE ROLLER:DIA32	U011_S001	41
		U011_S002	41
		U011_S003	41
		U011_S004	41
		U011_S005	41
		U011_S006	41
AE030074	BALL BEARING:DIA17XDIA26X5	U011_S001	42

Number	Part Name	Group	ID
		U011_S002	42
		U011_S003	42
		U011_S004	42
		U011_S005	42
		U011_S006	42
AF013016	BOTTOM PLATE PAD	U013_S001_S001	33
AF013019	PAD:TRAY BOTTOM PLATE	U005_S006_S004	126
		U005_S007_S002	126
AF030049	PICK-UP ROLLER	U013_S001	34
AF030094	PAPER FEED ROLLER:PICKUP	U005_S004	20
		U005_S005	20
AF031046	FEED ROLLER - MANUAL FEED	U013_S001	35
AF031094	PAPER FEED ROLLER:FEED	U005_S004	21
		U005_S005	21
AF032046	SEPARATION ROLLER - MANUAL FEED	U013_S001	36
AF032094	PAPER FEED ROLLER:SEPARATE	U005_S004	22
		U005_S005	22
AF040571	GUIDE ROLLER	U012_S001	16
AG070513	MAGNET CATCH	U001	9
AG070514	MAGNET CATCH	U010	9
AW010147	PHOTO REFLECTION SENSOR	U012_S001	17
AW010155	ORIGINAL SENSOR:66MM:3.3V	U003	19
AW010200	PAPER FEED SENSOR:FUSING EX IT	U009_S001	14
AW020190	PHOTOINTERRUPTOR	U011	43
AW020198	PHOTOINTERRUPTOR:LG2A14NL1	U010	10
		U013_S001	37
AW020203	PHOTOINTERRUPTOR:GP1A173LCS2F	U013_S001	38
		U013_S001_S001	38
AW020234	PHOTOINTERRUPTOR:GP1A173LCS5F	U005_S004	131
		U005_S005	131
		U008	43
		U009	58
		U012_S001	80
AW020249	PHOTOINTERRUPTOR:FLAT:PICH2MM:M4	U003	20
AW100180	NON-CONTACT TYPE THERMISTO	U011_S001	44

Exclusive Parts

Number	Part Name	Group	ID
	R:FUSING	U011_S002	44
		U011_S003	44
		U011_S004	44
		U011_S005	44
		U011_S006	44
		AW100181	THERMISTOR:PRESSURE:FRONT
		U011_S002	45
		U011_S003	45
		U011_S004	45
		U011_S005	45
		U011_S006	45
AW100182	THERMISTOR:PRESSURE:MIDDLE	U011_S001	46
		U011_S002	46
		U011_S003	46
		U011_S004	46
		U011_S005	46
		U011_S006	46
AW100183	THERMOPILE	U011	47
AW110111	THERMOSTAT:MIDDLE	U011_S001	48
		U011_S002	48
		U011_S003	48
		U011_S004	48
		U011_S005	48
		U011_S006	48
AW110112	THERMOSTAT:REAR	U011_S001	49
		U011_S002	49
		U011_S003	49
		U011_S004	49
		U011_S005	49
		U011_S006	49
AW140026	TEMPERATURE & HUMIDITY SENSOR	U008	11
AW500039	ROTARY SWITCH:PAPER SIZE SENSOR: CW	U013_S001_S001	39
AW500044	PUSH SWITCH:PAPER SIZE SENSOR	U005	25
AW500049	PUSH SWITCH:SW1AG-550	U005	127
		U010	36

Number	Part Name	Group	ID
		U013	196
		U013_S001	196
AX040273	DC MOTOR:RISING TRAY:ASS'Y:1.007W:BRUSH	U005	26
AX060435	DC MOTOR:GEAR:10W:BRUSHLESS	U014_S001	24
AX060464	DC MOTOR:ENCODER:NO:10W:GEAR:BRUSHLESS	U013	41
		U013_S001	41
		U014_S003	25
		U014_S004	25
AX060519	DC POLYGON MIRROR MOTOR	U004_S001	2
AX061001	DC BRUSHLESS MOTOR:40W:NMB	U014	26
AX061101	DC BRUSHLESS MOTOR:25W:NMB	U014	27
AX061201	DC BRUSHLESS MOTOR:25W:NID:DEVELOPMENT:BLACK	U014	28
AX061202	DC BRUSHLESS MOTOR:25W:NID:FUSING UNIT	U014_S004	29
AX640199	FAN:MM80:25MM:DC 2.16W	U016	10
AX640219	DC FAN MOTOR:DC24V:MM60:25MM	U016	11
AX640236	FAN:MM60X15	U015	36
		U016	12
		U016	13
AX660015	DC FAN MOTOR:SIROCCO:DC24V:PWM	U016	13
AZ240386	(NA)(TWN(D240,D242)):DC POWER SUPPLY	U015	37
AZ240387	(EU/AA/KOR/CHN):DC POWER SUPPLY	U015	107
AZ320197	POWER PACK:TTS:H	U015	39
AZ320233	POWER PACK:CB:H	U015	40
B0651374	CLOTH - DF EXPOSURE GLASS	U018	12
B2231099	FLAT SCREW	U013_S001_S001	42
B2231163	JOINT:ON-OFF:INTERMEDIATE TRANSFER	U014_S002	58
B2231317	SCREW	U015	41
B2233241	SPRING:SHUTTER:PUMP UNIT	U006	11

Exclusive Parts

Number	Part Name	Group	ID
B2234552	BUSHING:DIA4	U013_S001	43
B2236069	JOINT:DRIVE:INTERMEDIATE TRANSPORT	U008_S001	12
		U008_S004	12
		U008_S005	12
		U008_S006	12
		U008_S007	12
		U008_S008	12
B2236476	BUSHING - DIA5	U010	12
B2342864	PAD:CLEANER	U005_S006_S001	27
		U005_S006_S002	27
		U005_S007_S003	27
		U005_S007_S004	27
B2381088	COVER - CONNECTOR	U016	14
B2381089	COVER - POSITIONING PIN	U016	15
B6455020	SD Card (1GB)	SPECIAL TOOLS	5
B6455060	SD Card (16GB)	SPECIAL TOOLS	6
B8303504	TIMING BELT - 40S2M100	U005_S004	28
		U005_S005	28
C4019503	20X Magnification Scope	SPECIAL TOOLS	7
D0092573	PULLEY - VERTICAL TRANSPORT	U013_S001	44
D0092574	PULLEY - IDLER	U013_S001	45
D0094407	FEELER - OVERFLOW	U012_S001	19
D0094455	CUSHION - DC SOLENOID	U012	20
		U012_S001	20
		U013_S001	46
D0094485	BUSHING - GATE	U013_S001	47
D0094487	COMPRESSION SPRING - GATE	U013_S001	48
D0292677	TRANSPORT BELT:DRIVEN:VERTICAL TRANSPORT	U013_S001	49
D0392993	SHAFT:TRANSPORT BELT:PULLEY	U013_S001	50
D0394525	COMPRESSION SPRING:SHAFT:GUIDE PLATE:EXIT	U013_S001	51
D0394529	STOPPER:GUIDE PLATE:ROLLER:DRIVEN	U013_S001	52
D0394597	TENSION SPRING:DRIVEN ROLLER	U013_S001	53
D0394925	ROLLER:REVERSE:DRIVEN	U012_S001	21

Number	Part Name	Group	ID
D0394927	COMPRESSION SPRING:PRESSURE:REVERSE:DRIVEN	U012_S001	22
D0895824	COVER:SD-CARD:D086/D087	U015	42
D0895887	PANEL:INTERFACE	U015	43
D0AC1416	(CHN):OPERATION SUB-UNIT:ASS'Y	U002_S005	18
D0AC1417	(EU/NA/AA/KOR/TWN):OPERATION SUB-UNIT:ASS'Y	U002_S001	17
		U002_S002	17
		U002_S003	17
		U002_S004	17
D0AC1640	OPTICAL READING UNIT:CARRIAGE:SCANNER	U003_S001	62
D0AD5659	(D0AE):PCB:SERVICE	U015	112
D0AD5667	(D0AF-NA/EU):PCB:SERVICE	U015	111
D0AD5668	(D0AG):PCB:SERVICE	U015	110
D0AF1290	COVER:SCANNER:UPPER:REAR	U001_S001	70
D0AF3307	BASE:TONER SUPPLY	U006	22
D0AG5116	BCU:TYPE-H3:ASS'Y	U015	109
D0BH7911	DUCT:DEVELOPMENT:FRONT	U001	75
D0BQ1194	PULLEY:FEED:NO.1:MECHANICAL ROLLER CLUTCH:U	U014_S003	30
D0BQ1196	GEAR:FEED:NO.2:MECHANICAL ROLLER CLUTCH:U	U014_S003	32
D0BQ1230	COVER:UPPER	U001	71
D0BQ1287	COVER:SCANNER:RIGHT	U001	72
D0BQ1288	COVER:SCANNER:UPPER:RIGHT	U001	74
D0BQ1297	SEAL:SCANNER:UPPER:REAR	U001_S001	77
D0BQ1309	MAGNET CATCH:COVER:FRONT	U001	76
D0BQ1375	GEAR:PRESSURE RELEASE:NO.1:MECHANICAL ROLLER CLUTCH:U	U014_S004	56
D0BQ1678	SHEET:FFC:LOWER	U003	27
D0BQ1713	SYNCHRONOUS BELT:890ST55-4.0	U003	43
D0BQ2071	CHARGE UNIT:ASS'Y	U007_S001_S001	45
		U007_S002_S001	45
		U007_S003_S001	45
		U007_S004_S001	45
		U007_S005_S001	45

Exclusive Parts

Number	Part Name	Group	ID
		U007_S006_S001	45
		U007_S007_S001	45
		U007_S008_S001	45
		U007_S009_S001	45
D0BQ2379	DUCT:GEAR:DEVELOPMENT:SUB-ASS'Y	U007_S001	22
		U007_S002	22
		U007_S003	22
		U007_S004	22
		U007_S005	22
		U007_S006	22
		U007_S007	22
		U007_S008	22
		U007_S009	22
D0BQ2608	SHAFT:SEPARATOR:DRIVEN:ASS'Y	U013_S001	198
D0BQ2615	GUIDE PLATE:SEPARATOR:ASS'Y	U013_S001	199
D0BQ2619	SHAFT:SEPARATOR:DRIVE:ASS'Y	U013_S001	200
D0BQ2637	PAPER STOPPER:MANUAL FEED	U013_S001	140
D0BQ2638	LINK:PAPER STOPPER:MANUAL FEED	U013_S001	66
D0BQ2653	COIL SPRING:PRESSURE:SEPARATOR	U013_S001	202
D0BQ2654	CUSHION:GUIDE PLATE:SEPARATOR	U013_S001	121
D0BQ2655	GEAR:SEPARATE:DRIVE	U013_S001	30
D0BQ2656	HOLDER:HARNESS	U013_S001	146
D0BQ2688	TENSION SPRING:WIRE	U013_S001	73
D0BQ2711	PAPER FEED UNIT:NO.1:ASS'Y	U005_S004	132
D0BQ2712	PAPER FEED UNIT:NO.2:ASS'Y	U005_S005	133
D0BQ2773	PULLEY:PICKUP:MECHANICAL ROLLER CLUTCH:U	U005_S004	48
		U005_S005	48
D0BQ2777	SHAFT:FEED:ASS'Y	U005_S004	129
		U005_S005	129
D0BQ2786	PLAIN SHAFT BEARING:FEED	U005_S004	130
		U005_S005	130
D0BQ2805	PAPER TRAY:NO.2:ASS'Y	U005_S007	107
D0BQ2840	END FENCE:PAPER TRAY:ASS'Y	U005_S006_S003	134
		U005_S007_S001	134

Number	Part Name	Group	ID
D0BQ2850	TRAY BOTTOM PLATE:ASS'Y	U005_S006_S004	78
D0BQ2873	TRAY BOTTOM PLATE:NO.2:ASS'Y	U005_S007_S002	128
D0BQ2880	SIDE FENCE:REAR:ASS'Y	U005_S007_S004	113
D0BQ3219	DRIVE UNIT:TONER BOTTLE:ASS'Y	U006_S001	12
		U006_S002	12
		U006_S003	12
		U006_S004	12
D0BQ3242	TONER HOPPER:TONER SUPPLY: BK:ASS'Y	U006_S009	35
D0BQ3272	TONER HOPPER:TONER SUPPLY: C:ASS'Y	U006_S010	36
D0BQ3282	TONER HOPPER:TONER SUPPLY: M:ASS'Y	U006_S011	37
D0BQ3283	TRANSPORT SCREW:NOZZLE:BK:ASS'Y	U006	44
D0BQ3284	TRANSPORT SCREW:NOZZLE:CM Y:ASS'Y	U006	45
D0BQ3312	TONER HOPPER:TONER SUPPLY: Y:ASS'Y	U006_S012	38
D0BQ4102	DRIVEN ROLLER:FUSING EXIT:ASS'Y	U011_S001	60
		U011_S002	60
		U011_S003	60
		U011_S004	60
		U011_S005	60
		U011_S006	60
D0BQ4214	EXIT ROLLER:FUSING EXIT:RIGHT	U011_S001	71
		U011_S002	71
		U011_S003	71
		U011_S004	71
		U011_S005	71
		U011_S006	71
D0BQ4218	LINK:GATE PAWL:FUSING EXIT	U011_S001	73
		U011_S002	73
		U011_S003	73
		U011_S004	73
		U011_S005	73
		U011_S006	73
D0BQ4317	GUIDE:HARNESS:DRAWER:PRESS	U011_S001	78

Exclusive Parts

Number	Part Name	Group	ID
	S FIT	U011_S002	78
		U011_S003	78
		U011_S004	78
		U011_S005	78
		U011_S006	78
D0BQ4631	SIDE PLATE:REAR:DUPLEX:PEEN	U013_S001	203
D0BQ4644	GEAR:MECHANICAL ROLLER CLUTCH	U013_S001	204
D0BQ4645	SYNCHRONOUS BELT:30S2M118	U013_S001	79
D0BQ4646	SYNCHRONOUS BELT:30S2M262	U013_S001	80
D0BQ4648	SYNCHRONOUS BELT:30S2M300	U013_S001	20
D0BQ4654	SHAFT:LEVER:LOCK	U013_S001	205
D0BQ4680	BRACKET:DRIVEN ROLLER:PRESSURE	U013_S001	128
D0BQ4757	SPACER:DC MOTOR:DUPLEX:2	U013	184
D0BQ5172	PCB:TCB	U006	34
D0BQ6060	TRANSFER ROLLER:FC:ASS'Y	U008_S001	44
		U008_S004	44
		U008_S005	44
		U008_S006	44
		U008_S007	44
		U008_S008	44
D0BQ6125	ROLLER:FLAT BELT-TRANSFER:FACE FRONT:ASS'Y	U008_S001	40
		U008_S004	40
		U008_S005	40
		U008_S006	40
		U008_S007	40
	U008_S008	40	
D0BQ6141	CLEANING UNIT:BELT CLEANING:ASS'Y	U008_S003	41
D0BQ6212	TRANSFER ROLLER:SECOND:ASS'Y	U009	45
D0BQ6311	GEAR:ON-OFF:COLLAR:OUTPUT:HS	U008	29
D0BQ6766	(NA/AA_KOR):DECAL:CAUTION:ORIGINAL:ENGLISH	U018	60
D0CZ6766	(EU):DECAL:CAUTION:ORIGINAL	U018	60
D1124264	DECAL:WARNING (HIGH TEMPER	U011_S001	50

Number	Part Name	Group	ID
	ATURE):FUSING	U011_S002	50
		U011_S003	50
		U011_S004	50
		U011_S005	50
		U011_S006	50
		U011_S006	50
D1175303	THERMISTOR	U016	16
D1175916	STEPPED SCREW:M3X8:SECOND KIND	U008	13
D1185170	PCB:DIODE	U009_S001	16
D1201556	(AA/KOR):SHEET:LOGO:LAN	U018	13
D1201557	(AA/KOR/CHN(-22)):SHEET:LOGO:GES	U018	14
D1292783	TORQUE LIMITER MECHANICAL CLUTCH:40MM:DIA18	U005_S004	30
		U005_S005	30
		U013_S001	54
D1421805	SHAFT:SCALE	U015	44
D1441085	STEPPED SCREW:M3	U001	10
D1444183	SCREW:M3	U003	21
D1444484	SHOULDER SCREW - M3	U012_S001	23
D1444489	STOPPER:DRIVEN ROLLER	U013_S001	55
D1465786	BRACKET:HDD	U015	45
D1471805	EXPOSURE GLASS:DOCUMENT FEEDER:APPLY	U003	22
D1472734	GUIDE PLATE:SEPARATE	U005_S004	31
		U005_S005	31
D1472737	LEVER:PRESSURE:SEPARATE	U005_S004	32
		U005_S005	32
D1472738	LINK:RELEASE	U005_S004	33
		U005_S005	33
D1472752	SHAFT:SEPARATE:ASS'Y	U005_S004	34
		U005_S005	34
D1472866	COVER:PAPER TRAY:NO.2	U005_S007	35
D1473281	HOUSING:TONER CARTRIDGE:BK:ASS'Y	U006_S005	13
D1473282	HOUSING:TONER CARTRIDGE:CMY:ASS'Y	U006_S006	14
		U006_S007	14
		U006_S008	14
D1473325	TORSION SPRING:STOPPER:TON	U006_S005	17

Exclusive Parts

Number	Part Name	Group	ID
	ER CARTRIDGE:4.8N	U006_S006	17
		U006_S007	17
		U006_S008	17
D1477937	FILTER:PREVENTFENCE:10	U016_S001	17
D1482702	SPACER:TRANSPORT ROLLER	U005_S004	36
		U005_S005	36
D1482751	ARM:PRESSURE:SEPARATE	U005_S004	37
		U005_S005	37
D1482755	COIL SPRING:RELEASE:SEPARATE	U005_S004	38
		U005_S005	38
D1484690	TORSION SPRING:LINK	U013_S001	57
D1491099	COVER:GRIP:LEFT	U016	18
D1491168	BRACKET:DRIVE:COLLECTION BOTTLE:ASS'Y	U010	13
D1491173	GEAR:IDLER:TONER BOTTLE	U010	14
D1491174	GEAR:COLLECTION BOTTLE	U010	15
D1491195	GEAR:IDLER:PAPER FEED:FEED	U014_S003	31
D1491197	GEAR:IDLER:PAPER FEED:GRIP:NO.1	U014_S003	33
D1491199	DRIVE UNIT:ON-OFF:TRANSFER	U014	34
D1491233	COVER:UPPER:INNER BACK	U001	11
D1491234	COVER:UPPER:INNER BACK:MIDDLE	U001	12
D1491237	COVER:UPPER:INNER BACK:LEFT LOWER	U001	13
D1491243	COVER:FRONT:UPPER:OPERATION SUB-UNIT	U001	14
D1491248	HINGE:COVER:FRONT:USED TONER	U001	15
D1491252	COVER:LEFT:UPPER:REAR	U001	16
D1491257	CAP:34X55	U001	17
D1491264	CAP:ROCKER SWITCH	U018	15
D1491268	COVER:RIGHT:LOWER	U018	56
D1491274	INNER COVER:FRONT:USED TONER	U001	18
D1491278	TORSION SPRING:COVER:USED TONER	U001	19
D1491281	COVER:SCANNER:FRONT	U001	20

Number	Part Name	Group	ID
D1491291	CAP:HARNESS	U001	21
D1491294	(EU(D24027/D24028/D24066/D24127/D24128/D24165/D24166/D24266/D0AE27/D0AF27)):(CHN(D240)(D0AE)):CAP:HARNESS:CORNER	U001	22
D1491302	CLEANER:SHIELD GLASS:ASS'Y	U001	23
D1491305	CAP:TOTAL COUNTER	U001	24
D1491307	SPRING PLATE:BAND	U001	25
D1491321	(EU/NA/AA/KOR/TWN):DECAL:TONER BOTTLE:BK	U018	17
D1491322	(EU/NA/AA/KOR/TWN):DECAL:TONER BOTTLE:C	U018	18
D1491323	(EU/NA/AA/KOR/TWN):DECAL:TONER BOTTLE:M	U018	19
D1491324	(EU/NA/AA/KOR/TWN):DECAL:TONER BOTTLE:Y	U018	20
D1491338	GUIDE PLATE:PAPER FEED TABLE:FRONT	U016	19
D1491351	DRIVE UNIT:REGISTRATION:ASS'Y	U014_S001	35
D1491352	BRACKET:DRIVE UNIT:REGISTRATION:ASS'Y	U014_S001	36
D1491355	GEAR:REGISTRATION:NO.1	U014_S001	37
D1491387	GROUND PLATE:DRIVE UNIT:ENGINE	U014	38
D1491392	FLANGE:PAPER FEED:FEED	U014_S003	39
D1491394	GROUND PLATE:DRIVE UNIT:FUSING/PAPER EXIT UNIT	U014	40
D1491397	TORQUE LIMITER MECHANICAL CLUTCH:49MM:DIA14	U014_S004	41
D1491553	(EU/NA/AA/KOR/TWN/CHN(-21)):SHEET:LOGO	U018	21
D1491706	SYNCHRONOUS BELT:138ST1.5-4.0	U003	23
D1491798	SEAL:SHEET THROUGH:DOCUMENT FEEDER	U003	24
D1491804	HOLDER:EXPOSURE GLASS:SCANNER	U003	25
D1491833	SHEET:GLASS	U003	26

Exclusive Parts

Number	Part Name	Group	ID
D1492557	GUIDE:REGISTRATION:ENTRANCE:REAR	U013_S001	58
D1492558	GUIDE:REGISTRATION:ENTRANCE:FRONT	U013_S001	59
D1492562	COLLAR:REGISTRATION ROLLER	U005	40
D1492566	CASE:REMOVE PAPER DUST:ASS'Y	U005	41
D1492571	GUIDE:POSITIONING:REGISTRATION:FRONT	U005	137
D1492572	GUIDE:POSITIONING:REGISTRATION:REAR	U005	138
D1492582	GUIDE PLATE:REGISTRATION:FRONT RIGHT	U009	17
D1492584	COLLAR:SHAFT:REGISTRATION ROLLER	U009	18
D1492585	GUIDE:REGISTRATION:REAR RIGHT	U009	19
D1492586	GUIDE:REGISTRATION:FRONT RIGHT	U009	20
D1492612	ROLLER:GRIP:DRIVEN	U013_S001	60
D1492613	SHAFT:GRIP:DRIVEN	U013_S001	61
D1492614	TENSION SPRING:GRIP:PRESSURE	U013_S001	62
D1492633	SHAFT:FEED:MANUAL FEED	U013_S001	64
D1492635	TRANSPORT ROLLER:MANUAL FEED	U013_S001	65
D1492639	SHAFT:PAPER STOPPER	U013_S001	67
D1492642	SHAFT:LINK:PAPER STOPPER	U013_S001	68
D1492655	FEELER:PAPER END SENSOR	U013_S001	69
D1492656	TORSION SPRING:PAPER END SENSOR	U013_S001	70
D1492658	COVER:PAPER FEED ROLLER	U013_S001	71
D1492686	WIRE:MANUAL FEED TABLE:TC075	U013_S001	72
D1492692	ARM:MANUAL FEED:FRONT UPPER	U013_S001	74
D1492693	STOPPER:MANUAL FEED TABLE	U013_S001	75
D1492694	COMPRESSION SPRING:STOPPER	U013_S001	76

Number	Part Name	Group	ID
	R:MANUAL FEED TABLE		
D1492712	SHEET:GUIDE PLATE:SWIVEL	U005_S003	43
D1492713	GUIDE PLATE:SWIVEL:NO.1	U005_S003	44
D1492721	GUIDE PLATE:SWIVEL:NO.2	U005	45
D1492739	LEVER:PRESSURE RELEASE	U005_S004	46
		U005_S005	46
D1492772	ARM:PICKUP	U005_S004	47
		U005_S005	47
D1492774	PULLEY:IDLER:PICKUP	U005_S004	49
		U005_S005	49
D1492777	COIL SPRING:PRESSURE:PICKUP	U005_S004	51
		U005_S005	51
D1492778	FEELER:PAPER END	U005_S004	52
		U005_S005	52
D1492780	GROUND WIRE:SENSOR:PAPER FEED	U005_S004	124
		U005_S005	124
D1492781	GROUND PLATE:PAPER FEED UNIT	U005_S004	53
		U005_S005	53
D1492787	BRACKET:SUPPORT:COVER	U005	54
D1492788	INNER COVER:HARNESS:PAPER FEED UNIT	U005	55
D1492791	GUIDE:FEED	U005_S004	56
		U005_S005	56
D1492812	ROLLER:PAPER TRAY:DIA19	U005_S006	57
		U005_S007	57
D1492813	PIN:STRETCH:TRAY	U005_S006	58
		U005_S007	58
D1492814	COIL SPRING:EARTH	U005_S006	59
		U005_S007	59
D1492816	SHAFT:RISE:ASS'Y	U005_S006	60
		U005_S007	60
D1492818	LEVER:RISE	U005_S006	61
		U005_S007	61
D1492824	LEVER:STOPPER:FRONT	U005_S006_S001	62
		U005_S007_S003	62
D1492826	COMPRESSION SPRING:SIDE FENCE:PLATE:FRONT	U005_S006_S001	63
		U005_S007_S003	63
D1492827	COMPRESSION SPRING:SIDE FENCE	U005_S006_S001	64

Exclusive Parts

Number	Part Name	Group	ID
	CE:POSITIONING	U005_S007_S003	64
D1492828	SIDE FENCE:FRONT:NO.1:ASS'Y	U005_S006_S001	65
D1492834	GUIDE:FEELER:PAPER END	U005_S006_S002	66
D1492835	RACK:SIDE FENCE	U005_S006	67
		U005_S007	67
D1492836	GEAR:Z20	U005_S006	68
		U005_S007	68
D1492838	SIDE FENCE:REAR:NO.1:ASS'Y	U005_S006_S002	69
D1492842	LEVER:END FENCE	U005_S006_S003	71
		U005_S007_S001	71
D1492843	CLICK:END FENCE	U005_S006_S003	72
		U005_S007_S001	72
D1492845	COMPRESSION SPRING:END FENCE:LEVER:5N	U005_S006_S003	73
		U005_S007_S001	73
D1492846	DECAL:SIZE INDICATION:END FENCE:NO.1:FRONT	U005_S006	74
D1492847	DECAL:SIZE INDICATION:END FENCE:NO.1:REAR	U005_S006	75
D1492848	DECAL:SIZE INDICATION:END FENCE:NO.2:FRONT	U005_S007	76
D1492849	DECAL:SIZE INDICATION:END FENCE:NO.2:REAR	U005_S007	77
D1492863	DECAL:PAPER SET DIRECTION:TRAY:NO.1	U005_S006	80
D1492864	DECAL:PAPER SET DIRECTION:TRAY:NO.2	U005_S007	81
D1492872	LINK:END FENCE:PAPER SIZE SENSOR	U005_S007	82
D1492886	COVER:TRAY:REAR RIGHT:NO.1	U005	84
D1492887	COVER:TRAY:REAR LEFT:NO.1	U005	85
D1492888	COVER:TRAY:REAR RIGHT:NO.2	U005	86
D1492889	COVER:TRAY:REAR LEFT:NO.2	U005	87
D1492903	SUPPORTER:RIGHT:NO.2:ASS'Y	U005_S002	88
D1492905	SUPPORTER:RIGHT:NO.1:ASS'Y	U005_S001	89
D1492918	SUPPORTER:LEFT UPPER:NO.1	U005	90
D1492923	ROLLER:SUPPORTER:PAPER TRAY	U005_S002	91
D1492924	STOPPER:PAPER TRAY	U005_S001	92

Number	Part Name	Group	ID
		U005_S002	92
D1492925	SUPPORTER:LEFT:NO.2	U005	93
D1492928	ROLLER:SUPPORTER:PAPER TRAY:LEFT	U005	94
D1492930	SUPPORTER:LEFT LOWER:NO.1:PEEN	U005	95
D1492952	DECAL:SIDE FENCE:PAPER VOLUME	U005_S006_S002	96
		U005_S007_S004	96
D1492954	DECAL:SIDE FENCE:PAPER VOLUME:ENVELOPE	U005_S007_S004	97
D1492956	ROLLER:SUPPORTER:PAPER TRAY	U005_S001	98
D1492958	ROLLER:SUPPORTER:PAPER TRAY:LEFT	U005	99
D1492990	PLAIN SHAFT BEARING:DRIVE:REGISTRATION ROLLER	U009	21
D1493073	JOINT:DEVELOPMENT	U007_S001_S002	41
		U007_S002_S002	41
		U007_S003_S002	41
		U007_S004_S002	41
		U007_S005_S002	41
		U007_S006_S002	41
		U007_S007_S002	41
		U007_S008_S002	41
		U007_S009_S002	41
D1493074	GEAR:IDLER:TRANSPORT SCREW	U007_S001_S002	42
		U007_S002_S002	42
		U007_S003_S002	42
		U007_S004_S002	42
		U007_S005_S002	42
		U007_S006_S002	42
		U007_S007_S002	42
		U007_S008_S002	42
		U007_S009_S002	42
D1493075	GEAR:IDLER:DEVELOPMENT ROLLER	U007_S001_S002	43
		U007_S002_S002	43
		U007_S003_S002	43
		U007_S004_S002	43

Exclusive Parts

Number	Part Name	Group	ID
		U007_S005_S002	43
		U007_S006_S002	43
		U007_S007_S002	43
		U007_S008_S002	43
		U007_S009_S002	43
D1493210	DC MOTOR:TONER BOTTLE:ASS'Y :5.28W:BRUSH	U006_S001	18
		U006_S002	18
		U006_S003	18
		U006_S004	18
D1493256	BASE:TONER HOPPER:REAR:ASS'Y	U006	33
D1493321	DUCT:VERTICAL TRANSPORT:TONER SUPPLY	U006	24
D1493322	SHUTTER:DUCT:TONER SUPPLY	U006	25
D1493330	SEAL:CONNECTION:CARTRIDGE:TONER SUPPLY	U006	26
D1493331	COVER:GEAR:TONER SUPPLY SUB-UNIT	U006	27
D1493350	DC STEPPER MOTOR:TONER SUPPLY	U006_S009	28
		U006_S010	28
		U006_S012	28
D1494202	ENCODER:ON-OFF:PRESSURE ROLLER	U011_S001	51
		U011_S002	51
		U011_S003	51
		U011_S004	51
		U011_S005	51
		U011_S006	51
D1494205	BRAKE:CAM	U011_S001	52
		U011_S002	52
		U011_S003	52
		U011_S004	52
		U011_S005	52
		U011_S006	52
D1494207	PLATE:CAM	U011_S001	53
		U011_S002	53
		U011_S003	53
		U011_S004	53
		U011_S005	53

Number	Part Name	Group	ID
		U011_S006	53
D1494208	CAM:ON-OFF:PRESSURE ROLLER	U011_S001	54
		U011_S002	54
		U011_S003	54
		U011_S004	54
		U011_S005	54
		U011_S006	54
D1494209	SHAFT:ON-OFF:PRESSURE ROLLER	U011_S001	55
		U011_S002	55
		U011_S003	55
		U011_S004	55
		U011_S005	55
		U011_S006	55
D1494235	STEPPED SCREW:M3	U011_S001	56
		U011_S002	56
		U011_S003	56
		U011_S004	56
		U011_S005	56
		U011_S006	56
D1494335	ELECTRODE PLATE:CONNECTING:THERMOSTAT	U011_S001	57
		U011_S002	57
		U011_S003	57
		U011_S004	57
		U011_S005	57
		U011_S006	57
D1494421	GEAR:EXIT ROLLER	U012_S001	24
D1494422	GEAR:REVERSE ROLLER	U012_S001	25
D1494425	DC STEPPER MOTOR:REVERSE:SUB-ASS'Y	U012_S001	27
D1494427	STUD:PULLEY:BRACKET:DC STEPPER MOTOR	U012_S001	28
D1494428	GROUND PLATE:PAPER EXIT UNIT	U012_S001	29
D1494429	PULLEY:GEAR:REVERSE	U012_S001	30
D1494434	TENSION SPRING:LEVER:GATE PAWL	U012_S001	31
D1494463	GROUND WIRE:SENSOR:REVERSE	U012_S001	79

Exclusive Parts

Number	Part Name	Group	ID
D1494468	SHAFT:DRIVEN:REVERSE ROLLER	U012_S001	32
D1494469	SPRING PLATE:ROLLER:DRIVEN:REVERSE ROLLER	U012_S001	33
D1494471	SHAFT:DRIVEN:REVERSE ROLLER:OUTER	U012_S001	34
D1494484	TORSION SPRING:LEVER:GATE PAWL	U012_S001	35
D1494492	TRAY:REVERSE	U001	26
D1494638	GUIDE:WIRE	U013_S001	77
D1494647	SYNCHRONOUS BELT:30S2M212	U013_S001	81
D1494653	TENSION SPRING:SWIVEL	U013_S001	82
D1494656	HOOK:STOPPER:DUPLEX UNIT:FRONT	U013_S001	84
D1494657	HOOK:STOPPER:DUPLEX UNIT:REAR	U013_S001	85
D1494658	COIL SPRING:LEVER:DUPLEX	U013_S001	86
D1494662	DIFFUSION PLATE:LED	U009_S001	22
D1494672	COMPRESSION SPRING:DRIVEN	U013_S001	87
D1494675	COVER:PUSH SWITCH	U013_S001	88
D1494688	LINK:DUPLEX:MAIN	U013_S001	89
D1494695	LINK:FRONT	U013_S001	90
D1494706	PIN:ARM:FRONT LOWER	U013_S001	191
D1494711	DECAL:SIDE FENCE:MANUAL FEED	U013_S001_S001_S002	91
D1494715	DECAL:GRIP:Z	U013_S001	92
D1494717	PLATE:SIDE FENCE:FRONT	U013_S001_S001_S001	93
D1494718	TORSION SPRING:SIDE FENCE:FRONT	U013_S001_S001_S001	94
D1494720	PLATE:SIDE FENCE:REAR	U013_S001_S001_S002	95
D1494721	TORSION SPRING:SIDE FENCE:REAR	U013_S001_S001_S002	96
D1494731	COMPRESSION SPRING:RACK:MANUAL FEED	U013_S001_S001	97
D1494755	BRACKET:HINGE:DUPLEX:FRONT	U013	98
D1494777	COMPRESSION SPRING:FLAT COIL	U013_S001	101

Number	Part Name	Group	ID
	NVEYER BELT:DRIVEN		
D1494850	ARM:PUSH SWITCH	U013_S001	104
D1494883	ARM:MANUAL FEED:FRONT LOWER	U013_S001_S001	105
D1494884	ARM:MANUAL FEED:REAR LOWER	U013_S001_S001	106
D1495703	BRACKET:MICRO SWITCH	U015	46
D1495711	BRACKET:ARM:SAFETY SWITCH:FRONT	U015	47
D1495713	ARM:SAFETY SWITCH:FRONT	U015	48
D1495714	SHAFT:ARM:SAFETY SWITCH	U015	49
D1495717	BASE:SAFETY SWITCH	U015	50
D1495718	TORSION SPRING:SAFETY SWITCH	U015	51
D1495726	LEVER:SAFETY SWITCH:RIGHT	U015	52
D1495742	COVER:HARNESS:OPTICAL WRITING UNIT	U015	53
D1495776	COVER:USB:SMALL	U015	54
D1495810	BRACKET:RACK:UPPER	U015	55
D1495818	SPACER:FFC	U015	56
D1495822	BRACKET:POWER SUPPLY UNIT	U015	113
D1495824	COVER:CONNECTOR:HEATER:0.4MM	U015	57
D1495883	KEYTOP:MAIN SWITCH	U001	27
D1495884	COMPRESSION SPRING:KEYTOP	U001	28
D1496030	CAM:ON-OFF:COLLAR	U008_S001	14
		U008_S004	14
		U008_S005	14
		U008_S006	14
		U008_S007	14
		U008_S008	14
D1496036	CAM:ON-OFF:BK	U008_S001	15
		U008_S004	15
		U008_S005	15
		U008_S006	15
		U008_S007	15
		U008_S008	15
D1496037	STOPPER:RIGHT:INTERMEDIATE	U008_S001	16

Exclusive Parts

Number	Part Name	Group	ID
	TRANSFER	U008_S004	16
		U008_S005	16
		U008_S006	16
		U008_S007	16
		U008_S008	16
D1496038	LEVER:ON-OFF:BK	U008_S001	17
		U008_S004	17
		U008_S005	17
		U008_S006	17
		U008_S007	17
		U008_S008	17
D1496039	COMPRESSION SPRING:LEVER	U008_S001	49
		U008_S004	49
		U008_S005	49
		U008_S006	49
		U008_S007	49
		U008_S008	49
D1496133	VIBRATING PLATE:FRONT:PEEN	U008_S001	45
		U008_S004	45
		U008_S005	45
		U008_S006	45
		U008_S007	45
		U008_S008	45
D1496136	VIBRATING PLATE:REAR:PEEN	U008_S001	46
		U008_S004	46
		U008_S005	46
		U008_S006	46
		U008_S007	46
		U008_S008	46
D1496163	TENSION SPRING:SHUTTER:BELT CLEANING	U008_S002	18
		U008_S003	18
D1496172	BRACKET:BELT CLEANING:FRONT	U008	19
D1496173	BRACKET:BELT CLEANING:REAR	U008	20
D1496177	HOLDER:DISCHARGE USED TONER:ASS'Y	U008_S002	21
D1496179	GEAR:IDLER:DISCHARGE USED TONER	U008_S002	22

Number	Part Name	Group	ID
D1496190	GEAR:DISCHARGE USED TONER	U008_S002	23
D1496192	LEVER:DISCHARGE USED TONER	U008_S002	24
D1496194	SHAFT:LEVER:DISCHARGE USED TONER	U008_S002	25
D1496195	CAM:DISCHARGE USED TONER	U008_S002	26
D1496226	LEVER:TRANSFER/SEPARATION UNIT:FRONT	U009_S001	23
D1496227	LEVER:SET:FRONT	U009_S001	24
D1496228	TORSION SPRING:LEVER:SET:FRONT	U009_S001	25
D1496229	TENSION SPRING:LEVER:SET	U009_S001	26
D1496231	LEVER:TRANSFER/SEPARATION UNIT:REAR	U009_S001	27
D1496232	LEVER:SET:REAR	U009_S001	28
D1496233	TORSION SPRING:LEVER:SET:REAR	U009_S001	29
D1496242	COMPRESSION SPRING:PRESSURE:TRANSFER ROLLER	U009_S001	30
D1496243	RECEIVE PLATE:COMPRESSION SPRING:TRANSFER ROLLER	U009_S001	31
D1496245	GROUND PLATE:TRANSFER/SEPARATION UNIT	U009_S001	32
D1496246	LINK:TRANSFER/SEPARATION UNIT	U009_S001	33
D1496248	CAP:LED	U009_S001	34
D1496254	DECAL:GRIP:B:LOWER	U009_S001	35
D1496257	GROUND PLATE:REGISTRATION ROLLER	U009_S001	36
D1496290	GUIDE:SET:TRANSFER/SEPARATION UNIT:FRONT	U009	37
D1496291	GUIDE:SET:TRANSFER/SEPARATION UNIT:REAR	U009	38
D1496295	COVER:HARNES:TRANSFER/SEPARATION UNIT	U009	39
D1496309	SHAFT:ON-OFF:COLLAR:MAIN	U008	27
D1496310	BRACKET:ON-OFF:COLLAR	U008	28
D1496312	JOINT:ON-OFF:COLLAR	U008	30
D1496318	DC STEPPER MOTOR:ON-OFF	U006_S011	30

Exclusive Parts

Number	Part Name	Group	ID
D1496320	TERMINAL:BIAS:INTERMEDIATE TRANSFER:MAIN	U008	31
D1496321	HOLDER:TERMINAL:INTERMEDIATE TRANSFER:MAIN	U008	32
D1496336	TRANSFER ROLLER:ASS'Y	U008_S001	33
		U008_S004	33
		U008_S005	33
		U008_S006	33
		U008_S007	33
		U008_S008	33
D1496370	TONER OUTLET UNIT:BELT CLEANING:ASS'Y	U008_S002	35
D1496542	BRACKET:USED TONER SENSOR	U010	35
D1496552	GEAR:IDLER:Z30	U010	16
D1496553	GEAR:IDLER:Z61	U010	17
D1496554	GEAR:PULLEY:IDLER:Z16	U010	18
D1496555	GEAR:IDLER:Z21	U010	19
D1496556	TENSION SPRING:BELT TENSIONER	U010	20
D1496557	SYNCHRONOUS BELT:40S3M564	U010	21
D1496561	PULLEY:USED TONER	U010	22
D1496562	BRACKET:TIGHTENER:USED TONER	U010	23
D1496571	BRACKET:PULLEY:IDLER:USED TONER	U010	24
D1496574	GEAR:PULLEY:IDLER:Z18	U010	25
D1496575	FLANGE:IDLER:USED TONER	U010	26
D1496581	SHAFT:DRIVE:USED TONER:RIGHT	U010	27
D1496582	GEAR:USED TONER:RIGHT	U010	28
D1496583	GEAR:USED TONER:INPUT	U010	29
D1496586	SHAFT:DRIVE:USED TONER:LEFT	U010	30
D1496587	GEAR:USED TONER:LEFT	U010	31
D1496592	RAIL:COLLECTION BOTTLE	U010	32
D1496767	(CHN):DECAL:CAUTION:ORIGINAL:CHINESE	U018	26
D1496768	(TWN):DECAL:CAUTION:ORIGINAL:TAIWAN	U018	27

Number	Part Name	Group	ID
D1496851	(NA/AA/KOR):DECAL:MAIN SWITCH:ON-STANDBY:ENGLISH	U018	28
D1496852	(EU/TWN/CHN):DECAL:MAIN SWITCH:ON-STANDBY	U018	29
D1496859	DECAL:CLEANING:SHIELD GLASS	U001	29
D1496862	DECAL:SIZE INDICATION:PAPER TRAY	U018	30
D1496893	DECAL:PCU:BLACK	U001	30
D1496894	DECAL:PCU:CYAN	U001	31
D1496895	DECAL:PCU:MAGENTA	U001	32
D1496896	DECAL:PCU:YELLOW	U001	33
D1497922	COVER:FAN:DEVELOPMENT:RIGHT LOWER	U016	20
D1497923	DUCT:DEVELOPMENT:RIGHT LOWER	U016	21
D1497931	DUCT:DEVELOPMENT:EXHAUST	U016	22
D1497932	DUCT:PCU:EXHAUST	U016	23
D1497935	CASE:FILTER:ASS'Y	U016_S001	24
D1497938	OZONE FILTER	U016_S001	25
D1497951	DUCT:SUPPLY:A	U016	26
D1497952	DUCT:SUPPLY:B	U016	27
D1497953	DUCT:SUPPLY:C	U016	28
D1497954	DUCT:SUPPLY:D	U016	29
D1497955	DUCT:SUPPLY:FAN:UPPER	U016	30
D1497956	DUCT:SUPPLY:FAN:LOWER	U016	31
D1497957	DUCT:DRIVE:COOLING:A	U016	32
D1497958	DUCT:DRIVE:COOLING:B	U016	33
D1497971	DUCT:EXHAUST:REAR:A	U016	34
D1497972	DUCT:EXHAUST:REAR:B	U016	35
D1497973	DUCT:EXHAUST:REAR:C	U016	36
D1497981	DUCT:POWER SUPPLY UNIT:EXHAUST	U016	37
D1497982	DUCT:POWER SUPPLY UNIT	U016	38
D1497983	BRACKET:FAN:POWER SUPPLY UNIT	U016	39
D1497984	DUCT:REAR:POWER SUPPLY UNIT	U001	34
D1497986	GUIDE:THERMISTOR	U016	40

Exclusive Parts

Number	Part Name	Group	ID
D1501095	BRACKET:POSITIONING:FUSING UNIT:M3	U016	41
D1501235	COVER:UPPER:INNER BACK:BIN	U001	35
D1501250	COVER:LEFT	U001	36
D1501282	COVER:SCANNER:UPPER:FRONT	U001	37
D1502666	GEAR:SIDE FENCE:MANUAL FEED TABLE	U013_S001_S001	107
D1751377	GEAR:PRESSURE RELEASE:NO.3	U014_S004	42
D1754737	PLAIN SHAFT BEARING:DUPLEX:EXIT	U013_S001	109
D1961485	(EU/NA/AA/KOR)(CHN:D242/D0AE/D0AG):IC:NFC_TAG:MN63Y3212NB	U018	31
D2021143	JOINT:DRIVE	U014_S003	43
D2021152	BRACKET:DRIVE UNIT:PAPER FEED:ASS'Y	U014_S003_S001	44
D2021191	GEAR:GRIP:NO.1	U014_S003	45
D2021193	STUD:PAPER FEED:GRIP:ASS'Y	U014_S003	46
D2021195	PULLEY:GRIP:NO.2	U014_S003	47
D2021196	HOUSING:DRIVE UNIT:PAPER FEED:ASS'Y	U014_S003	48
D2022614	COIL SPRING:RELEASE:PICKUP:MANUAL FEED	U013_S001	110
D2022617	ARM:PICKUP:MANUAL FEED	U013_S001	111
D2022618	SHEET:PICKUP	U013_S001	112
D2022619	TORSION SPRING:PICKUP	U013_S001	113
D2022620	SHOE:TORSION SPRING:PICKUP	U013_S001	114
D2022624	COVER:PAPER END	U013_S001	115
D2022638	FEELER:PAPER SIZE SENSOR:MANUAL FEED	U013_S001_S001	116
D2022640	EXTENSION TRAY:NO.1	U013_S001	117
D2022641	EXTENSION TRAY:NO.2	U013_S001	118
D2022642	PULLEY:WIRE:MANUAL FEED TABLE	U013_S001	119
D2022646	ARM:MANUAL FEED:REAR UPPER	U013_S001	120
D2022669	COVER:MANUAL FEED TABLE	U013_S001	122
D2022676	DECAL:SCALE:MANUAL FEED:MIDDLE	U013_S001_S001	123
D2022677	DECAL:SCALE:MANUAL FEED:REAR	U013_S001_S001	124

Number	Part Name	Group	ID
	AR		
D2024477	REVERSE ROLLER	U012_S001	36
D2024673	FEELER:DUPLEX:ENTRANCE SENSOR	U013_S001	125
D2024674	TORSION SPRING:DUPLEX:ENTRANCE SENSOR	U013_S001	126
D2024679	DRIVEN ROLLER:DIA16:DUPLEX	U013_S001	127
D2024682	DRIVEN ROLLER:DIA16	U013_S001	129
D2024684	GROUND WIRE:BRACKET:DRIVEN ROLLER	U013_S001	190
D2024692	SHAFT:PRESSURE:GUIDE PLATE:UPPER	U013_S001	130
D2024721	BRACKET:LINK:DUPLEX	U013_S001	131
D2024722	LINK:DUPLEX	U013_S001	132
D2024726	TORSION SPRING:LINK:CONTACT POINT	U013_S001	133
D2026255	DECAL:GRIP:B	U009_S001	40
D2197454	(NA/AA/KOR/TWN):CAUTION CHARACTER	U018	32
D2231381	(EU/NA(-17)/AA/KOR/TWN/CHN(D242)(D0AG)):DECAL:EXPOSURE GLASS:CLEANING	U018	33
D2380072	(EU/AA/KOR/CHN):HEATER:SCANNER:220/240V:ASS'Y	U017	2
D2380073	(NA)(TWN(D240,D242)):HEATER:SCANNER:120V:ASS'Y	U017	10
D2385689	(D240):PCB:SERVICE	U015	114
D2385693	(EU):(D241):PCB:SERVICE	U015	115
D2385694	(D242):PCB:SERVICE	U015	116
D2386630	(NA)(TWN(D240,D242)):HEATER:PAPER TRAY:120V:ASS'Y	U017	3
D2386640	(EU/AA/KOR/CHN):HEATER:PAPER TRAY:220/240V:ASS'Y	U017	4
D2386650	PCB:DHB:ASS'Y	U017	5
D2386661	(NA)(TWN(D240,D242)):HEATER:PAPER TRAY:ELECTRICAL COMPONENTS SECTION:ASS'Y	U017	6
D2386662	(EU/AA/KOR/CHN):HEATER:PAPER	U017	7

Exclusive Parts

Number	Part Name	Group	ID
	TRAY:ELECTRICAL COMPONENT S SECTION:ASS'Y		
D2391265	COVER:RIGHT:REAR	U001	73
D2392227	(EU/CHN/AA/KOR/TWN):PCDU:K	U007_S001	44
		U007_S005	44
		U007_S006	44
		U007_S007	44
D2392244	(EU/CHN/AA/KOR/TWN):PCU:K	U007_S001_S001	37
		U007_S005_S001	37
		U007_S006_S001	37
		U007_S007_S001	37
D2392245	(NA/LA):PCU:K	U007_S008_S001	48
		U007_S009_S001	48
D2392247	(NA/LA):PCDU:K	U007_S008	47
		U007_S009	47
D2395883	GROUND PLATE:BCU	U015	61
D2395884	BRACKET:BCU	U015	62
D2395898	BRACKET:HELM	U015	63
D2395899	CAP:HELM	U015	64
D2406752	(EU/NA/AA/KOR):(D240):DECAL:MODEL NAME PLATE:RIC	U018	34
D2406753	(CHN(D24021)/TWN(D240)):DECAL:MODEL NAME PLATE:RIC	U018	35
D2406754	(CHN(D24022)):DECAL:MODEL NAME PLATE:GES	U018	36
D2411113	GUIDE:HARNESS:RIGHT	U014	49
D2411115	GUIDE:HARNESS:LEFT	U014	50
D2411117	DRIVE UNIT:ENGINE:ASS'Y	U014_S002	51
D2411232	COVER:UPPER:EXIT	U001	41
D2411241	COVER:FRONT	U001	42
D2411242	COVER:MAIN SWITCH	U005_S006	100
D2411244	COVER:FRONT:RIGHT UPPER	U001	43
D2411245	COVER:FRONT:UPPER	U001	44
D2411251	COVER:LEFT:UPPER	U001	69
D2411255	COVER:LEFT:INTERFACE	U001	46
D2411256	CAP:COVER:INTERFACE	U001	47
D2411260	COVER:REAR:LOWER	U001	48
D2411263	CAP:LOUVER:DEODORIZE FILTER	U001	50

Number	Part Name	Group	ID
D2411264	COVER:REAR:SUB-ASS'Y	U001	49
D2411266	COVER:RIGHT:FRONT LOWER	U001	51
D2411273	INNER COVER:FRONT:LOWER	U001	52
D2411275	INNER COVER:FRONT:RIGHT LOWER	U001	53
D2411276	INNER COVER:TONER BOTTLE	U001	54
D2411284	COVER:SCANNER:LEFT	U001	55
D2411285	COVER:SCANNER:UPPER:LEFT	U001	56
D2411297	BRACKET:COVER:LEFT UPPER REAR	U001	59
D2411298	INNER COVER:RIGHT	U001	60
D2411299	GUIDE PLATE:SCANNER	U018	59
D2411308	BAND:STOPPER:DOOR	U001	61
D2411309	MAGNET CATCH	U001	62
D2411357	DRIVE UNIT:FUSING/PAPER EXIT UNIT:ASS'Y	U014_S004	52
D2411378	GEAR:FUSING:NO.3	U014_S004	53
D2411396	HOLDER:TORQUE LIMITER MECHANICAL CLUTCH:PRESSURE RELEASE	U014_S004	54
D2411399	DRIVE UNIT:PAPER FEED:ASS'Y	U014_S003	55
D2411591	BRACKET:OPERATION SUB-UNIT:PEEN	U002	8
D2411598	COVER:BRACKET:OPERATION SUB-UNIT:LOWER	U002	9
D2411599	COVER:BRACKET:OPERATION SUB-UNIT:UPPER	U002	10
D2411671	PROTECTION:CARRIAGE:SCANNER	U003	60
D2411680	GUIDE ROD	U003	28
D2411681	STAY:GUIDE ROD	U003	29
D2411684	COVER:HARNESS:SCANNER	U003	30
D2411685	SPRING PLATE:GUIDE ROD	U003	31
D2411686	CLAMP:STAY:GUIDE ROD	U003	32
D2411688	SHEET:GLASS:LARGE	U003	33
D2411689	HOLDER:EXPOSURE GLASS	U003	34
D2411697	SLIDE RAIL	U003	35
D2411698	COVER:BASE:SCANNER	U003	36

Exclusive Parts

Number	Part Name	Group	ID
D2411701	PULLEY:IDLER:LEADING EDGE	U003	37
D2411702	CAP:PULLEY:IDLER:LEADING EDGE	U003	38
D2411708	TIGHTENER:DIA8	U003	39
D2411710	PULLEY:IDLER:TRAILING EDGE	U003	40
D2411711	CAP:IDLER:TRAILING EDGE	U003	41
D2411712	TENSION SPRING:TIGHTENER:TENSION:4N	U003	42
D2411715	PULLEY:DRIVE	U003	44
D2411716	CAP:PULLEY:DRIVE:UPPER	U003	45
D2411717	CAP:PULLEY:DRIVE:LOWER	U003	46
D2411719	DC STEPPER MOTOR	U003	47
D2411722	TENSION SPRING:TENSION:11N	U003	48
D2411727	SHEET:GAP:ASS'Y	U003	49
D2411732	(EU/AA/KOR/TWN/CHN):SCALE:LEFT:MM:ASS'Y	U003	50
D2411733	COVER:SHEET THROUGH:DOCUMENT FEEDER	U003	51
D2411734	(NA):SCALE:LEFT:INCH:ASS'Y	U003	52
D2411738	(EU/AA/KOR/TWN/CHN):SCALE:REAR:PRINTING:MM	U003	53
D2411739	(NA):SCALE:REAR:PRINTING:INCH	U003	54
D2411741	BRACKET:DOCUMENT FEEDER:LEFT	U003	55
D2411742	BRACKET:DOCUMENT FEEDER:RIGHT	U003	56
D2411744	DOCUMENT FEEDER:CABLE:BRACKET	U003	57
D2411767	PLAIN SHAFT BEARING:90ANG	U003_S001	61
D2411788	CAP:COVER:POSITIONING	U018	37
D2411856	OPTICAL WRITING UNIT	U004_S001	1
D2412559	SHAFT:REGISTRATION ROLLER:DRIVEN	U005	101
D2412576	GUIDE PLATE:REGISTRATION:FRONT LEFT	U005	125
D2412583	REGISTRATION ROLLER:DRIVE	U009	41
D2412612	DC SOLENOID:PICKUP:ASS'Y	U013_S001	134
D2412622	COVER:DAMPER	U013_S001	135

Number	Part Name	Group	ID
D2412627	MANUAL FEED TABLE:ASS'Y	U013_S001_S001	136
D2412634	RACK:MANUAL FEED	U013_S001_S001	139
D2412641	COVER:PAPER STOPPER:MANUAL FEED	U013_S001	141
D2412643	ARM:LINK:PAPER STOPPER	U013_S001	142
D2412644	TORSION SPRING:LINK:PAPER STOPPER	U013_S001	143
D2412652	GROUND PLATE:SHAFT:FEED	U013_S001	144
D2412663	DECAL:SCALE:MANUAL FEED:FRONT	U013_S001_S001	147
D2412673	GUIDE PLATE:VERTICAL TRANSPORT:NO.1:DRIVEN	U013_S001	148
D2412674	GUIDE PLATE:VERTICAL TRANSPORT:NO.2:DRIVEN	U013_S001	149
D2412676	HOLDER:DRIVEN:BELT	U013_S001	150
D2412678	SHAFT:FLAT CONVEYER BELT:DRIVEN	U013_S001	151
D2412682	STAY:REAR:MANUAL FEED TABLE	U013_S001_S001	152
D2412685	DECAL:PAPER SET DIRECTION:MANUAL FEED	U013_S001_S001	153
D2412690	SIDE FENCE:FRONT:ASS'Y	U013_S001_S001	187
D2412691	SIDE FENCE:REAR:ASS'Y	U013_S001_S001	188
D2412731	STOPPER:GUIDE PLATE:SWIVEL	U005	121
D2412754	COIL SPRING:PRESSURE:SEPARATE	U005_S004	104
		U005_S005	104
D2412762	TRANSPORT ROLLER:VERTICAL TRANSPORT:ASS'Y	U005_S004	105
		U005_S005	105
D2412800	PAPER TRAY:NO.1:ASS'Y	U005_S006	106
D2412837	DECAL:SET:SIDE FENCE:AUXILIARY	U005_S007	108
D2412865	COVER:PAPER TRAY:NO.1	U005_S006	109
D2412869	DECAL:SIZE INDICATION:SIDE FENCE:NO.2	U005_S007	110
D2412873	SIDE FENCE:AUXILIARY	U005_S007_S005	111
		U005_S007_S006	111
D2412875	SIDE FENCE:FRONT:ASS'Y	U005_S007_S003	112

Exclusive Parts

Number	Part Name	Group	ID
D2412883	DECAL:SIZE INDICATION:SIDE FENCE:AUXILIARY:FRONT	U005_S007	114
D2412884	DECAL:SIZE INDICATION:SIDE FENCE:AUXILIARY:REAR	U005_S007	115
D2412885	DECAL:SIDE FENCE:AUXILIARY	U005_S007_S005	116
		U005_S007_S006	116
D2412906	LEVER:STRETCH:PAPER TRAY:ASS'Y	U005	122
D2412991	PLAIN SHAFT BEARING:INNER:DRIVE:REGISTRATION ROLLER	U009	42
D2412993	STOPPER:REGISTRATION ROLLER	U009	43
D2412994	COMPRESSION SPRING:REGISTRATION:INNER:DRIVE	U009	44
D2413336	COVER:GEAR:TONER SUPPLY SUB-UNIT:C	U006	32
D2414023	HOLDER:DRIVEN ROLLER:FUSING EXIT:FRONT	U011_S001	58
		U011_S002	58
		U011_S003	58
		U011_S004	58
		U011_S005	58
		U011_S006	58
D2414024	HOLDER:DRIVEN ROLLER:FUSING EXIT:REAR	U011_S001	59
		U011_S002	59
		U011_S003	59
		U011_S004	59
		U011_S005	59
		U011_S006	59
D2414108	GUIDE:FUSING EXIT:LEFT	U011_S001	101
		U011_S002	101
		U011_S003	101
		U011_S004	101
		U011_S005	101
		U011_S006	101
D2414113	BRACKET:THERMISTOR:PRESSURE ROLLER	U011_S001	62
		U011_S002	62
		U011_S003	62
		U011_S004	62

Number	Part Name	Group	ID
D2414121	INNER COVER:PRESSURE ROLLER:REAR	U011_S005	62
		U011_S006	62
		U011_S001	63
		U011_S002	63
		U011_S003	63
		U011_S004	63
D2414122	INNER COVER:PRESSURE ROLLER:FRONT	U011_S005	63
		U011_S006	63
		U011_S001	64
		U011_S002	64
		U011_S003	64
		U011_S004	64
D2414123	DISCHARGE BRUSH:PRESSURE ROLLER	U011_S005	64
		U011_S006	64
		U011_S001	65
		U011_S002	65
		U011_S003	65
		U011_S004	65
D2414137	LEVER:PRESSURE:FRONT:PEEN	U011_S005	65
		U011_S006	65
		U011_S001	66
		U011_S002	66
		U011_S003	66
		U011_S004	66
D2414140	HOLDER:PRESSURE:FRONT:ASS'Y	U011_S005	66
		U011_S006	66
		U011_S001	67
		U011_S002	67
		U011_S003	67
		U011_S004	67
D2414155	HOLDER:PRESSURE:REAR:ASS'Y	U011_S005	67
		U011_S006	67
		U011_S001	68
		U011_S002	68
		U011_S003	68
		U011_S004	68
D2414155	HOLDER:PRESSURE:REAR:ASS'Y	U011_S005	68
		U011_S006	68
		U011_S001	68
		U011_S002	68
		U011_S003	68
		U011_S004	68

Exclusive Parts

Number	Part Name	Group	ID
D2414160	LEVER:PRESSURE:REAR:PEEN	U011_S001	69
		U011_S002	69
		U011_S003	69
		U011_S004	69
		U011_S005	69
		U011_S006	69
D2414212	GATE PAWL:FUSING EXIT	U011_S001	70
		U011_S002	70
		U011_S003	70
		U011_S004	70
		U011_S005	70
		U011_S006	70
D2414215	GUIDE:FUSING EXIT:RIGHT:ASS'Y	U011_S001	72
		U011_S002	72
		U011_S003	72
		U011_S004	72
		U011_S005	72
		U011_S006	72
D2414219	DECAL:C:GUIDE PLATE:FUSING EXIT	U011_S001	74
		U011_S002	74
		U011_S003	74
		U011_S004	74
		U011_S005	74
		U011_S006	74
D2414221	STRIPPER PLATE:FUSING EXIT:ASS'Y	U011_S001	75
		U011_S002	75
		U011_S003	75
		U011_S004	75
		U011_S005	75
		U011_S006	75
D2414252	FUSING ENTRANCE GUIDE PLATE	U011_S001	76
		U011_S002	76
		U011_S003	76
		U011_S004	76
		U011_S005	76
		U011_S006	76
D2414261	FUSING COVER:UPPER	U011_S001	77
		U011_S002	77

Number	Part Name	Group	ID
		U011_S003	77
		U011_S004	77
		U011_S005	77
		U011_S006	77
D2414332	HOUSING:THERMOSTAT	U011_S001	79
		U011_S002	79
		U011_S003	79
		U011_S004	79
		U011_S005	79
		U011_S006	79
D2414334	COVER:HOUSING:THERMOSTAT	U011_S001	80
		U011_S002	80
		U011_S003	80
		U011_S004	80
		U011_S005	80
		U011_S006	80
D2414337	TERMINAL:THERMOSTAT:DRAWER	U011_S001	81
		U011_S002	81
		U011_S003	81
		U011_S004	81
		U011_S005	81
		U011_S006	81
D2414338	TERMINAL:THERMOSTAT:HEATER	U011_S001	82
		U011_S002	82
		U011_S003	82
		U011_S004	82
		U011_S005	82
		U011_S006	82
D2414342	HOUSING:NON-CONTACT TYPE THERMISTOR	U011_S001	83
		U011_S002	83
		U011_S003	83
		U011_S004	83
		U011_S005	83
		U011_S006	83
D2414365	HOLDER:THERMOPILE	U011	84
D2414366	BRACKET:THERMOPILE	U011	85
D2414367	STOPPER:THERMOPILE	U011	86
D2414406	PAPER EXIT UNIT:ASS'Y	U012_S001	37

Exclusive Parts

Number	Part Name	Group	ID
D2414441	GUIDE PLATE:EXIT:UPPER	U012_S001	38
D2414448	SHAFT:FEELER:OVERFLOW	U012_S001	39
D2414458	GUIDE:COVER:UPPER	U001	63
D2414461	GUIDE PLATE:REVERSE:UPPER	U012_S001	40
D2414466	GUIDE PLATE:REVERSE:LOWER	U012_S001	41
D2414472	END FENCE:TRAY:EXIT:ASS'Y	U018_S001	38
D2414476	EXIT ROLLER	U012_S001	42
D2414481	GATE PAWL:EXIT	U012_S001	43
D2414483	LEVER:GATE PAWL	U012_S001	44
D2414494	TRAY:AUXILIARY:EXIT	U012	45
D2414499	COMPRESSION SPRING:BASE:TRAY:EXIT	U012	47
D2414519	DUPLEX UNIT:ASS'Y	U013_S001	206
D2414617	TRANSPORT ROLLER:DUPLEX:2:DIA8	U013_S001	154
D2414627	COVER:DUPLEX	U013_S001	186
D2414628	GUIDE PLATE:DUPLEX:EXIT	U013_S001	155
D2414635	SHEET:CUSHION	U013_S001	156
D2414640	TRANSPORT ROLLER:EXIT:DIA8	U013_S001	102
D2414642	TRANSPORT ROLLER:DUPLEX:1	U013_S001	157
D2414643	TRANSPORT ROLLER:ENTRANCE	U013_S001	78
D2414648	BRACKET:SWIVEL:PEEN	U013_S001	210
D2414652	GEAR:PULLEY:SWIVEL	U013_S001	159
D2414660	GUIDE PLATE:UPPER:RIGHT:DUPLEX	U013_S001	160
D2414673	GUIDE PLATE:DRIVEN	U013_S001	161
D2414676	LEVER:PRESSURE:DUPLEX	U013_S001	162
D2414677	COMPRESSION SPRING:EXIT:UPPER	U013_S001	163
D2414681	BRACKET:MOTOR:PEEN	U013_S001	192
D2414684	GEAR:OUTPUT	U013_S001	164
D2414692	INNER COVER:REAR:DUPLEX	U013_S001	165
D2414693	INNER COVER:FRONT:DUPLEX	U013_S001	166
D2414694	CAP:BELT:DUPLEX	U013_S001	167
D2414707	GEAR:FEED:MANUAL FEED:DRIVE	U013_S001	168
D2414708	GEAR:SEPARATOR:MANUAL FEED:DRIVE	U013_S001	169
D2414709	GEAR:TRANSPORT ROLLER:MAN	U013_S001	170

Number	Part Name	Group	ID
	UAL FEED		
D2414710	GEAR:IDLER	U013_S001	171
D2414750	BRACKET:MOTOR:DUPLEX	U013	172
D2414755	GEAR:OUTPUT:DUPLEX:ENTRANCE	U013	173
D2414761	DRIVEN ROLLER:DIA16	U013_S001	174
D2414762	DRIVEN ROLLER:DIA18	U013_S001	175
D2414763	GUIDE:HARNESS:ENTRANCE SENSOR:DUPLEX	U013_S001	176
D2414765	PULLEY:T26	U013_S001	177
D2414766	TRANSPORT ROLLER:EXIT:DIA8	U013_S001	99
D2414899	SHEET:RACK:MANUAL FEED	U013_S001_S001	189
D2414921	COVER:GUIDE PLATE:DRIVEN	U013_S001	178
D2414923	STAY:CONTACT POINT:DUPLEX	U013_S001	179
D2414929	DC SOLENOID:FUSING EXIT:ASS'Y	U012	48
D2414936	INNER COVER:EXIT	U012	49
D2414937	TENSION SPRING:GATE:REVERSE	U012_S001	50
D2414938	TENSION SPRING:LINK:DC SOLENOID:FUSING EXIT	U012	51
D2414941	GATE PAWL:REVERSE:FRONT MIDDLE	U012_S001	52
D2414942	GATE PAWL:REVERSE:REAR MIDDLE	U012_S001	53
D2414943	GATE PAWL:REVERSE:REAR	U012_S001	54
D2414946	SHAFT:GATE PAWL:REVERSE	U012_S001	55
D2414947	GATE PAWL:REVERSE:FRONT	U012_S001	56
D2414948	GUIDE:HARNESS:REVERSE	U012_S001	57
D2414950	ROLLER:EXIT:PRESSURE:2TYPE:ASS'Y	U012_S001_S001	58
D2414955	HOLDER:ROLLER:EXIT:PRESSURE:2TYPE	U012_S001	59
D2414960	BASE:PLATE:EXIT	U012	73
D2414971	LINK:PLATE:EXIT	U012	74
D2414972	GUIDE:PLATE:EXIT	U012	75
D2414981	COIL SPRING:ROLLER:PRESSURE:EXIT	U012_S001	67
D2414992	DISCHARGE BRUSH:EXIT	U012_S001	68

Exclusive Parts

Number	Part Name	Group	ID
D2414994	GUIDE PLATE:EXIT:LOWER	U012_S001	69
D2414995	GUIDE PLATE:UPPER	U013_S001	180
D2414996	DC SOLENOID:ASS'Y	U012_S001	70
D2414998	CUSHION:DC SOLENOID:4MM	U012_S001	71
D2415110	PCB:I0B:TRANSPORT	U015	108
D2415112	PCB:I0B:ENGINE	U015	66
D2415190	PCB:MSSENS1	U015	67
D2415192	PCB:MSSENS2	U015	68
D2415711	COVER:HUMAN DETECTION SENSOR:CONNECTOR	U001	64
D2415738	BRACKET:MAIN SWITCH	U015	69
D2415764	COVER:POWER PACK:CB	U015	70
D2415765	CASE:POWER PACK:CB	U015	71
D2415796	RACK:MIDDLE	U015	72
D2415797	FRAME:RACK:RIGHT:PEEN	U015	117
D2415800	RACK:RIGHT:AUXILIARY	U015	73
D2415801	COVER:RACK:REAR	U015	74
D2415802	GUIDE:FFC:SCANNER	U015	75
D2415803	GUIDE:HARNESS:C/T BOX	U015	76
D2415817	GUIDE:FFC:2	U015	77
D2415831	CAP:GUIDE:WIRE	U015	78
D2415832	CAP:GUIDE:COIL SPRING	U015	79
D2415841	BASE:GUIDE:WIRE	U015	80
D2415842	COVER:GUIDE:WIRE	U015	81
D2415850	WIRE:CHARGE:K	U015	82
D2415851	WIRE:DEVELOPMENT:K	U015	83
D2415852	WIRE:CHARGE:C	U015	84
D2415853	WIRE:DEVELOPMENT:C	U015	85
D2415854	WIRE:CHARGE:M	U015	86
D2415855	WIRE:DEVELOPMENT:M	U015	87
D2415856	WIRE:CHARGE:Y	U015	88
D2415857	WIRE:DEVELOPMENT:Y	U015	89
D2415875	WIRE:CHARGE:CB	U015	90
D2415876	WIRE:DEVELOPMENT:CB:K	U015	91
D2415877	WIRE:DEVELOPMENT:CB:C	U015	92
D2415878	WIRE:DEVELOPMENT:CB:M	U015	93
D2415879	WIRE:DEVELOPMENT:CB:Y	U015	94
D2415889	SPRING PLATE:IMAGE PROCESSI	U015	95

Number	Part Name	Group	ID
	NG UNIT		
D2416005	(EU/CHN/AA/KOR/TWN):TRANSFER UNIT:INTERMEDIATE TRANSFER:ASS'Y	U008_S001	42
		U008_S004	42
		U008_S005	42
		U008_S006	42
D2416006	(NA/LA):TRANSFER UNIT:INTERMEDIATE TRANSFER:ASS'Y	U008_S007	48
		U008_S008	48
D2416097	FLAT BELT-TRANSFER:INTERMEDIATE TRANSFER:TT	U008_S001	37
		U008_S004	37
		U008_S005	37
		U008_S006	37
		U008_S007	37
		U008_S008	37
D2416216	GUIDE PLATE:TRANSFER:SECOND:ASS'Y	U009_S001	55
D2416240	LEVER:PRESSURE:TRANSFER ROLLER:FRONT:DIA19.5	U009_S001	47
D2416241	LEVER:PRESSURE:TRANSFER ROLLER:REAR:DIA19.5	U009_S001	48
D2416244	GROUND PLATE:SEPARATION	U009_S001	49
D2416256	GROUND PLATE:GUIDE:TRANSPORT	U009_S001	50
D2416258	COVER:TRANSFER/SEPARATION UNIT	U009_S001	51
D2416275	SHEET:ENTRANCE:TRANSFER	U009_S001	52
D2416290	LED:RED	U009_S001	53
D2416335	COVER:INTERMEDIATE TRANSFER	U018	39
D2416752	(EU):(D241):DECAL:MODEL NAME PLATE:RIC	U018	40
D2417852	(EU):CD-ROM:DRV:ASS'Y	U018	41
D2417913	DUCT:OPTICAL WRITING UNIT	U001	66
D2417941	DUCT:EXHAUST:UPPER:A	U016	42
D2417942	DUCT:EXHAUST:UPPER:B	U016	43
D2417943	DUCT:EXHAUST:UPPER:C	U016	44
D2417944	DUCT:EXHAUST:UPPER:D	U016	45
D2417983	DUCT:DEVELOPMENT:REAR:A	U016	47
D2417984	DUCT:DEVELOPMENT:REAR:B	U016	48

Exclusive Parts

Number	Part Name	Group	ID
D2421231	COVER:UPPER:FRONT	U001	40
D2421247	COVER:FRONT:USED TONER	U001	45
D2421267	COVER:RIGHT:UPPER	U001	68
D2422218	PCDU:C	U007_S002	38
D2422219	PCDU:M	U007_S003	35
D2422220	PCDU:Y	U007_S004	40
D2422245	PCU:CMY	U007_S002_S001	34
		U007_S003_S001	34
		U007_S004_S001	34
D2422389	COVER:PCU:FRONT:SUB-ASS'Y	U018	42
D2423072	GEAR:TRANSPORT SCREW:REAR	U007_S001_S002	50
		U007_S002_S002	50
		U007_S003_S002	50
		U007_S004_S002	50
		U007_S005_S002	50
		U007_S006_S002	50
		U007_S007_S002	50
		U007_S008_S002	50
		U007_S009_S002	50
D2423091	(EU/CHN/AA/KOR/TWN):DEVELOPMENT UNIT:K	U007_S001_S002	29
		U007_S005_S002	29
		U007_S006_S002	29
		U007_S007_S002	29
D2423092	DEVELOPMENT UNIT:C	U007_S002_S002	31
D2423093	DEVELOPMENT UNIT:M	U007_S003_S002	32
D2423094	DEVELOPMENT UNIT:Y	U007_S004_S002	33
D2423096	(NA/LA):DEVELOPMENT UNIT:K	U007_S008_S002	49
		U007_S009_S002	49
D2423284	GRIP:ROLLING:SHEET:DEVELOPER:DIA4	U018	43
D2424041	SLEEVE:FUSING:120V	U011_S004	90
		U011_S006	90
D2424042	(EU/AA/KOR/CHN):SLEEVE:FUSING:220/240V	U011_S001_S001	91
		U011_S002_S001	91
		U011_S003	91
D2424043	SLEEVE:FUSING:110V	U011_S005	92
D2424056	(EU/AA/KOR/CHN):FUSING UNIT:220/240V	U011_S001	106
		U011_S002	106

Number	Part Name	Group	ID
		U011_S003	106
D2424057	(TWN):FUSING UNIT:110V	U011_S005	105
D2424058	(NA/LA):FUSING UNIT:120V	U011_S004	104
		U011_S006	104
D2424262	FUSING COVER:LOWER	U011_S001	93
		U011_S002	93
		U011_S003	93
		U011_S004	93
		U011_S005	93
		U011_S006	93
D2424382	DC STEPPER MOTOR:ASS'Y	U011	94
D2424383	BRACKET:IDLER:DC STEPPER MOTOR	U011	95
D2424386	BRACKET:DC STEPPER MOTOR	U011	96
D2425184	(NA)(TWN(D240,D242)):AC CONTROL BOARD	U015	97
D2425186	(EU/AA/KOR/CHN):AC CONTROL BOARD	U015	98
D2425605	(EU/NA(-17)/AA/KOR/TWN/CHN):PCB:DDR3-DIMM:2GB:ASS'Y	U015	99
D2425646	PCB:IMAGE PROCESSING UNIT_CDE	U015	100
D2426400	(EU/CHN/AA/KOR/TWN):COLLECTION BOTTLE:ASS'Y	U010	33
D2426410	(NA/LA):COLLECTION BOTTLE:ASS'Y	U010	33
D2426511	PIPE:ASS'Y	U010_S001	34
D2426752	(EU/NA/AA/KOR):(D242):DECAL:MODEL NAME PLATE:RIC	U018	44
D2426753	(CHN(D24221)/TWN(D242)):DECAL:MODEL NAME PLATE:RIC	U018	45
D2426754	(CHN(D24222)):DECAL:MODEL NAME PLATE:GES	U018	46
D2429591	NVRAM	U015	101
D2442856	GRIP:PAPER TRAY	U005_S006	79
		U005_S007	79
D2445730	PCB:DCSW	U015	102
D2447854	(CHN):CD-ROM:DRV/OI:ASS'Y	U018	47

Exclusive Parts

Number	Part Name	Group	ID
D2557798	DECAL:BLUETOOTH	U018	48
D2581317	HOLDER:GLASS:CLEANER:ASS'Y	U018	16
D2894655	GRIP:DUPLEX UNIT	U013_S001	207
D3B06303	(EU(D24065/D24066/D24165/D24166/D24227/D24266/D0AE65/D0AE66/D0AF65/D0AF66/D0AG27/D0AG66)/NA/AA/KOR/TWN):DECAL:CAUTION:ORIGINAL:MANY LANGUAGES	U018	50
D3B06304	(CHN):(D240/D0AG):DECAL:CAUTION:ORIGINAL	U018	51
D3BR2201	(NA)(TWN(D240,D242)):HEATER:PHOTOCONDUCTOR:ASS'Y	U017	8
D3BR2202	(EU/AA/KOR/CHN):HEATER:PHOTOCONDUCTOR:ASS'Y	U017	9
D6836031	(EU(D24065/D24066/D24165/D24166/D24227/D24266/D0AE65/D0AE66/D0AF65/D0AF66/D0AG27/D0AG66)/NA/AA/KOR/TWN/CHN(D242/D0AG)):DECAL:SET:ORIGINAL TABLE	U018	52
D6842163	SYNCHRONOUS BELT:40S2M122	U012_S001	26
D6846031	(EU(D24027/D24028/D24127/D24128/D0AE27/D0AE28/D0AF27/D0AF28)):DECAL:ORIGINAL TABLE	U018	53
D6846061	(EU(D24027/D24028/D24127/D24128/D0AE27/D0AE28/D0AF27/D0AF28)):DECAL:ORIGINAL:MANY LANGUAGES	U018	54
D6932867	SUPPORTING PLATE:COVER:FRONT:PAPER TRAY	U005_S007	117
GA003268	DECAL:PDF:I-GRAY:ABS	U018	55
GA143003	SCREW:MM5:2.5MM	U005	119
		U009_S001	54
GW010007	PHOTO REFLECTION SENSOR:EXIT	U005	120
		U005_S004	120
		U005_S005	120
		U012_S001	72
		U013_S001	181
GW010009	DENSITY SENSOR	U008	39

Number	Part Name	Group	ID
GW020024	PHOTOINTERRUPTOR:LG2A24BL1:GF	U003	64
GW230008	TONER END SENSOR	U006_S009	31
		U006_S010	31
		U006_S011	31
		U006_S012	31
M0662743	FRICTION PAD:MANUAL FEED TABLE:18X7.5	U013_S001_S001	182
M0662749	OIL DAMPER:STRAIGHT:30N	U013_S001	183
M0AJ4497	TRAY:EXIT	U012	76
M0AJ4981	DECAL:EXIT:GUIDE PLATE:LOWER:MIDDLE	U012_S001	77
M0AJ4982	DECAL:EXIT:GUIDE PLATE:LOWER:INNER BACK	U012_S001	78
M0AJ6856	(EU/NA/AA/KOR):DECAL:INKJET:MANUAL FEED	U018	62
M0AJ6870	(CHN):(D240/D242/D0AE/D0AG)DECAL:INKJET:MULTI-LANGUAGE:CH	U018	57
M0AJ6871	(TWN):DECAL:INKJET:MULTI-LANGUAGE	U018	58
M0BW6228	TORSION SPRING:SEPARATION/TRANSPORT:28N	U009_S001	56
M0BW6246	LINK:TRANSFER/SEPARATION UNIT:MO	U009_S001	57
M0BW7945	DEODORIZE FILTER	U016	46
M4445201	HDD:320GB:AQUARIUS	U015	103
Note	See 2D parts catalog for the components of the Smart Operation Panel.	U002_S001	11
		U002_S002	11
		U002_S003	11
		U002_S004	11
		U002_S005	11
VSSG9002	FLUOTRIBO MG GREASE: 100G	SPECIAL TOOLS	8
VSSG9008	FLOIL-G348 GREASE 20G	SPECIAL TOOLS	9

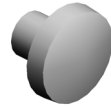
Standard Parts



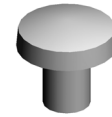
03130060N
SCREW - M3X6



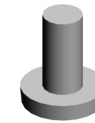
03140120N
SCREW - M4X12



03530030N
SCREW:M3X3



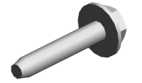
03530040N
SCREW - M3X4



03530060N
BIND SCREW - M3X6



03603006N
SCREW - M3X6



03603016N
SCREW - M3X16



04503025N
TAPPING SCREW:3X25



04503035N
TAPPING SCREW:3X35



04513006N
TAPPING SCREW - 3X6



04513008N
TAPPING SCREW - M3X8



04513025N
TAPPING SCREW:M3X25



04533008N
BINDING SELF TAPPING SCREW:3X8



04543006N
TAPPING SCREW:ROUND POINT:3X6



04543006Q
TAPPING SCREW - M3X6



04543008N
TAPPING SCREW:ROUND POINT:3X8



04543008Q
TAPPING SCREW:3X8



04543010Q
TAPPING SCREW:3X10



04543020Q
TAPPING SCREW::3X20



04583008N
HEXAGON HEAD TAPPING SCREW:3X8



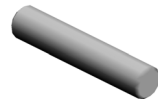
04583010N
HEXAGON HEAD TAPPING SCREW:3X10



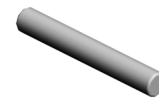
04593008N
BINDING HEAD TAPPING SCREW:3X8



04593010N
BINDING HEAD TAPPING SCREW:3X10



06320100G
PIN - 2X10MM



06320140G
PARALLEL PIN



06330100G
PARALLEL PIN - 3X10



07200020G
RETAINING RING - M2



07200025E
RETAINING RING - M2.5

Standard Parts



07200030E
RETAINING RING - M3



07200040E
RETAINING RING - M4



07200060E
RETAINING RING - M6



07250170E
RETAINING RING C - M17



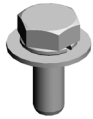
07403808
BALL BEARING - 8X16X5MM



08025299
TAPPING SCREW - M3X8



08025328
HEXAGON HEAD TAPPING S
CREW:3X40



08046123
HEXAGONAL BOLT:W/WASH
ER:M3X8



08046129
HEXAGON HEAD BOLT:IB-LO
CK:M3X6



08050089
RETAINING RING - M4



08050100
RETAINING RING - M2.5



08050103
RETAINING RINGS-E:SILENC
ER:DIA3



08050104
RETAINING RINGS-E:SILENC
ER:DIA4



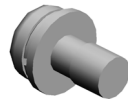
08050106
RETAINING RINGS-E:SILENC
ER:DIA6



09543005N
SCREW:POLISHED ROUND/
SPRING:M3X5



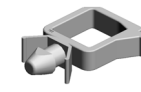
09573010N
SCREW:SMALL ROUND/SPRI
NG:M3X10



09574008N
SCREW:SMALL ROUND/SPRI
NG:M4X8



11050409
CARD SPACER- 6.4MM



11050488
HARNESS CLAMP



11050655
CLAMP:LWSR-1816S



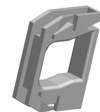
11050692
CLAMP:LES-0503



11050713
CLAMP:LWSM-0306H GRAY



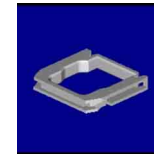
11050723
CLAMPS:WES-0507



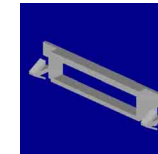
11050724
CLAMPS:WES-1210



11050725
CLAMPS:WES-1117



11050726
CLAMPS:WES-2217

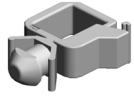


11050752
SADDLE:EDS-3005LS-V0

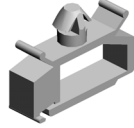


11050758
CLAMP:LWSM-0306A

Standard Parts



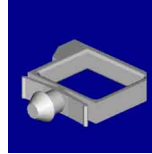
11050759
CLAMP:LWSM-0605A



11050760
CLAMP:LWSM-0511A



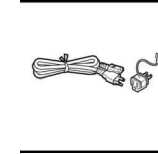
11050762
CLAMP:LWS-0711A



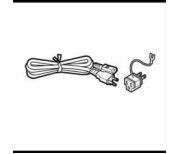
11050764
CLAMP:LWS-1316A



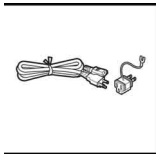
11050765
CLAMP:LWS-2218A



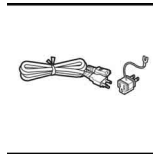
11500440
(NA):POWER SUPPLY CODE:
120V:15A



11500441
(EU/AA/KOR):POWER SUPPL
Y CODE:250V:10A



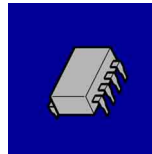
11500442
(CHN):POWER SUPPLY COD
E:250V:10A



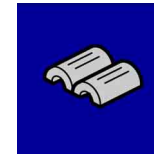
11500443
(TWN):POWER SUPPLY COD
E:125V:15A



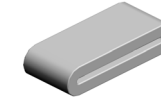
12042612
MICRO SWITCH:D3V-16506-3
C25



14078389
EEPROM:BR24T128-W



16072470
(EU/AA/KOR/CHN):FERRITE
CORE:GRFC-10



16072525
FERRITE CORE:K3 FF 35.00X
14.60X7.70X1.40

PM Part List

Number	Part Name	Num	Group	ID
AE020261	PRESSURE ROLLER:DIA32	6	U011_S001	41
			U011_S002	41
			U011_S003	41
			U011_S004	41
			U011_S005	41
			U011_S006	41
AE030074	BALL BEARING:DIA17XDIA26 X5	12	U011_S001	42
			U011_S002	42
			U011_S003	42
			U011_S004	42
			U011_S005	42
			U011_S006	42
D0BQ6141	CLEANING UNIT:BELT CLEANING:ASS'Y	1	U008_S003	41
D0BQ6212	TRANSFER ROLLER:SECOND:ASS'Y	1	U009	45
D1477937	FILTER:PREVENTFENCE:10	1	U016_S001	17
D2392244	(EU/CHN/AA/KOR/TWN):PCU:K	4	U007_S001_S001	37
			U007_S005_S001	37
			U007_S006_S001	37
			U007_S007_S001	37
D2392245	(NA/LA):PCU:K	2	U007_S008_S001	48
			U007_S009_S001	48
D2416005	(EU/CHN/AA/KOR/TWN):TRANSFER UNIT:INTERMEDIATE TRANSFER:ASS'Y	4	U008_S001	42
			U008_S004	42
			U008_S005	42
			U008_S006	42
D2416006	(NA/LA):TRANSFER UNIT:INTERMEDIATE TRANSFER:ASS'Y	2	U008_S007	48
			U008_S008	48
D2422245	PCU:CMY	3	U007_S002_S001	34
			U007_S003_S001	34
			U007_S004_S001	34
D2423091	(EU/CHN/AA/KOR/TWN):DEVELOPMENT UNIT:K	4	U007_S001_S002	29
			U007_S005_S002	29
			U007_S006_S002	29
			U007_S007_S002	29
D2423092	DEVELOPMENT UNIT:C	1	U007_S002_S002	31

Number	Part Name	Num	Group	ID
D2423093	DEVELOPMENT UNIT:M	1	U007_S003_S002	32
D2423094	DEVELOPMENT UNIT:Y	1	U007_S004_S002	33
D2423096	(NA/LA):DEVELOPMENT UNIT:K	2	U007_S008_S002	49
			U007_S009_S002	49
D2424041	SLEEVE:FUSING:120V	2	U011_S004	90
			U011_S006	90
D2424042	(EU/AA/KOR/CHN):SLEEVE:FUSING:220/240V	3	U011_S001_S001	91
			U011_S002_S001	91
			U011_S003	91
D2424043	SLEEVE:FUSING:110V	1	U011_S005	92
D2426400	(EU/CHN/AA/KOR/TWN):COLLECTION BOTTLE:ASS'Y	4	U010	33
D2426410	(NA/LA):COLLECTION BOTTLE:ASS'Y	2	U010	33

Design Change List

Number	Title	Set	Old Part		New Part		Index No.		Q'ty	Interchg		Reason	Cut-in S/N
			P/N	Name	P/N	Name	Group	ID		Indiv.	Set		
202203-01	2203 Modification	-	D0BQ3286	TRANSPORT SC REW:NOZZLE:C MY:ASS'Y	D0BQ3284	TRANSPORT SC REW:NOZZLE:C MY:ASS'Y	U006	45	1	O/O			
			D0BQ3286	TRANSPORT SC REW:NOZZLE:C MY:ASS'Y	D0BQ3284	TRANSPORT SC REW:NOZZLE:C MY:ASS'Y	U006	45	1	O/O			
			D0BQ3286	TRANSPORT SC REW:NOZZLE:C MY:ASS'Y	D0BQ3284	TRANSPORT SC REW:NOZZLE:C MY:ASS'Y	U006	45	1	O/O			
202203-02	2203 Modification	-	D0BQ3285	TRANSPORT SC REW:NOZZLE:BK :ASS'Y	D0BQ3283	TRANSPORT SC REW:NOZZLE:BK :ASS'Y	U006	44	1	O/O			
202203-03	2203 Modification	-	D2417945	DEODORIZE FIL TER	M0BW7945	DEODORIZE FIL TER	U016	46	1	X/O			
202202-25	2202 Modification	-	AA043980	TIMING BELT:30 S2M300	D0BQ4648	SYNCHRONOUS BELT:30S2M300	U013_S001	20	1	O/O			
202201-01	2201 Modification	-			D1496039	COMPRESSION SPRING:LEVER	U008_S001	49	1				
							U008_S004	49	1				
							U008_S005	49	1				
							U008_S006	49	1				
							U008_S007	49	1				
							U008_S008	49	1				
202201-02	2201 Modification	-	D0BQ2785	PLAIN SHAFT BE ARING:FEED	D0BQ2786	PLAIN SHAFT BE ARING:FEED	U005_S004	130	1	O/O			
			D0BQ2785	PLAIN SHAFT BE ARING:FEED	D0BQ2786	PLAIN SHAFT BE ARING:FEED	U005_S005	130	1	O/O			
202201-03	2201 Modification	-	D2412759	TRANSPORT RO LLER:VERTICAL TRANSPORT:AS S'Y	D2412762	TRANSPORT RO LLER:VERTICAL TRANSPORT:AS S'Y	U005_S004	105	1	O/O			

Design Change List

Number	Title	Set	Old Part		New Part		Index No.		Q'ty	Interchg		Reason	Cut-in S/N
			P/N	Name	P/N	Name	Group	ID		Indiv.	Set		
		-	D2412759	TRANSPORT ROLLER:VERTICAL TRANSPORT:ASS'Y	D2412762	TRANSPORT ROLLER:VERTICAL TRANSPORT:ASS'Y	U005_S005	105	1	O/O			
202201-04	2201 Modification	-	AA082173	PLAIN SHAFT BEARING:6X10X6	AA082195	PLAIN SHAFT BEARING:DIA6XDIA10X6	U005_S004	13	1	O/O			
			AA082173	PLAIN SHAFT BEARING:6X10X6	AA082195	PLAIN SHAFT BEARING:DIA6XDIA10X6	U005_S005	13	1	O/O			
			AA082173	PLAIN SHAFT BEARING:6X10X6	AA082195	PLAIN SHAFT BEARING:DIA6XDIA10X6	U012_S001	15	2	O/O			
			AA082173	PLAIN SHAFT BEARING:6X10X6	AA082195	PLAIN SHAFT BEARING:DIA6XDIA10X6	U013_S001	23	10	O/O			
202112-01	2112 Modification	-	D1494646	SYNCHRONOUS BELT:30S2M262	D0BQ4646	SYNCHRONOUS BELT:30S2M262	U013_S001	80	1	O/O			
202112-02	2112 Modification	-	D1494645	SYNCHRONOUS BELT:30S2M118	D0BQ4645	SYNCHRONOUS BELT:30S2M118	U013_S001	79	1	O/O			
202111-01	2111 Modification	-	D2416003	(EU/CHN/AA/KOR/TWN):TRANSFER UNIT:INTERMEDIATE TRANSFER:ASS'Y	D2416005	(EU/CHN/AA/KOR/TWN):TRANSFER UNIT:INTERMEDIATE TRANSFER:ASS'Y	U008_S001	42	1	O/O			
			D2416003	(EU/CHN/AA/KOR/TWN):TRANSFER UNIT:INTERMEDIATE TRANSFER:ASS'Y	D2416005	(EU/CHN/AA/KOR/TWN):TRANSFER UNIT:INTERMEDIATE TRANSFER:ASS'Y	U008_S004	42	1	O/O			

Design Change List

Number	Title	Set	Old Part		New Part		Index No.		Q'ty	Interchg		Reason	Cut-in S/N
			P/N	Name	P/N	Name	Group	ID		Indiv.	Set		
		-	D2416003	(EU/CHN/AA/KOR/TWN):TRANSFER UNIT:INTERMEDIATE TRANSFER:ASS'Y	D2416005	(EU/CHN/AA/KOR/TWN):TRANSFER UNIT:INTERMEDIATE TRANSFER:ASS'Y	U008_S005	42	1	O/O			
			D2416003	(EU/CHN/AA/KOR/TWN):TRANSFER UNIT:INTERMEDIATE TRANSFER:ASS'Y	D2416005	(EU/CHN/AA/KOR/TWN):TRANSFER UNIT:INTERMEDIATE TRANSFER:ASS'Y	U008_S006	42	1	O/O			
202111-02	2111 Modification	-	D2416004	(NA/LA):TRANSFER UNIT:INTERMEDIATE TRANSFER:ASS'Y	D2416006	(NA/LA):TRANSFER UNIT:INTERMEDIATE TRANSFER:ASS'Y	U008_S007	48	1	O/O			
			D2416004	(NA/LA):TRANSFER UNIT:INTERMEDIATE TRANSFER:ASS'Y	D2416006	(NA/LA):TRANSFER UNIT:INTERMEDIATE TRANSFER:ASS'Y	U008_S008	48	1	O/O			
202110-01	2110 Modification	-	D0AC1415	(EU/NA/AA/KOR/TWN):OPERATION SUB-UNIT:ASS'Y	D0AC1417	(EU/NA/AA/KOR/TWN):OPERATION SUB-UNIT:ASS'Y	U002_S001	17	1	O/O			
			D0AC1415	(EU/NA/AA/KOR/TWN):OPERATION SUB-UNIT:ASS'Y	D0AC1417	(EU/NA/AA/KOR/TWN):OPERATION SUB-UNIT:ASS'Y	U002_S002	17	1	O/O			
			D0AC1415	(EU/NA/AA/KOR/TWN):OPERATION SUB-UNIT:ASS'Y	D0AC1417	(EU/NA/AA/KOR/TWN):OPERATION SUB-UNIT:ASS'Y	U002_S003	17	1	O/O			

Design Change List

Number	Title	Set	Old Part		New Part		Index No.		Q'ty	Interchg		Reason	Cut-in S/N
			P/N	Name	P/N	Name	Group	ID		Indiv.	Set		
		-	D0AC1415	(EU/NA/AA/KOR/TWN):OPERATION SUB-UNIT:ASS'Y	D0AC1417	(EU/NA/AA/KOR/TWN):OPERATION SUB-UNIT:ASS'Y	U002_S004	17	1	O/O			
202109-01	2109 Modification	-	D2412880	SIDE FENCE:REAR:ASS'Y	D0BQ2880	SIDE FENCE:REAR:ASS'Y	U005_S007_S004	113	1	O/O			
202109-02	2109 Modification	-	AA082170	PLAIN SHAFT BEARING:DIA4XDIA8X5:EG-1	AA082193	PLAIN SHAFT BEARING:DIA4XDIA8X5:EG-1-J	U012_S001	14	4	O/O			
							U013_S001	21	3				
202109-03	2109 Modification	-	AA082174	PLAIN SHAFT BEARING:6X10X9	AA082196	BUSHING:DIA6XDIA10X9	U005_S004	14	1	O/O			
							U005_S005	14	1				
202106-01	2106 Modification	-	D2411855	OPTICAL WRITING UNIT	D2411856	OPTICAL WRITING UNIT	U004_S001	1	1	O/O			
202106-02	2106 Modification	-	AB010156	GEAR:SEPARATE:DRIVE	D0BQ2655	GEAR:SEPARATE:DRIVE	U013_S001	30	1	O/O			
202106-03	2106 Modification	-	D2024680	BRACKET:DRIVE N ROLLER:PRES SURE	D0BQ4680	BRACKET:DRIVE N ROLLER:PRES SURE	U013_S001	128	1	X/O			
202106-04	2106 Modification	-			D0BQ1297	SEAL:SCANNER:UPPER:REAR	U001_S001	77	1				
202106-05	2106 Modification	-	D2412805	PAPER TRAY:NO.2:ASS'Y	D0BQ2805	PAPER TRAY:NO.2:ASS'Y	U005_S007	107	1	O/O			
202106-06	2106 Modification	A			D2412690	SIDE FENCE:FRONT:ASS'Y	U013_S001_S001	187	1			RTB: RD239105, Old Part Number: D2412630 (Int:O/O)	
202106-07	2106 Modification	A			D2414899	SHEET:RACK:MANUAL FEED	U013_S001_S001	189	1			RTB: RD239105	
202106-08	2106 Modification	B			D2412691	SIDE FENCE:REAR:ASS'Y	U013_S001_S001	188	1			RTB: RD239105, Old Part Number:	

Design Change List

Number	Title	Set	Old Part		New Part		Index No.		Q'ty	Interchg		Reason	Cut-in S/N	
			P/N	Name	P/N	Name	Group	ID		Indiv.	Set			
							2					D2412632 (Int:O/O)		
202106-09	2106 Modification	B			D2414899	SHEET:RACK:MANUAL FEED	U013_S001_S001	189	1			RTB: RD239105		
202105-01	2105 Modification	-	D2411261	COVER:REAR	D2411264	COVER:REAR:SUB-ASS'Y	U001	49	8	O/O		TAPPING SCREW:3X8(04513008 N) is included in a new part and use it after replacing the old part.		
202105-02	2105 Modification	-	D1496112	ROLLER:FLAT BELT-TRANSFER:FACE FRONT:ASS'Y	D0BQ6125	ROLLER:FLAT BELT-TRANSFER:FACE FRONT:ASS'Y	U008_S001	40	1	O/O				
			D1496112	ROLLER:FLAT BELT-TRANSFER:FACE FRONT:ASS'Y	D0BQ6125	ROLLER:FLAT BELT-TRANSFER:FACE FRONT:ASS'Y	U008_S004	40	1	O/O				
			D1496112	ROLLER:FLAT BELT-TRANSFER:FACE FRONT:ASS'Y	D0BQ6125	ROLLER:FLAT BELT-TRANSFER:FACE FRONT:ASS'Y	U008_S005	40	1	O/O				
			D1496112	ROLLER:FLAT BELT-TRANSFER:FACE FRONT:ASS'Y	D0BQ6125	ROLLER:FLAT BELT-TRANSFER:FACE FRONT:ASS'Y	U008_S006	40	1	O/O				
			D1496112	ROLLER:FLAT BELT-TRANSFER:FACE FRONT:ASS'Y	D0BQ6125	ROLLER:FLAT BELT-TRANSFER:FACE FRONT:ASS'Y	U008_S007	40	1	O/O				

Design Change List

Number	Title	Set	Old Part		New Part		Index No.		Q'ty	Interchg		Reason	Cut-in S/N
			P/N	Name	P/N	Name	Group	ID		Indiv.	Set		
		-	D1496112	ROLLER:FLAT B ELT-TRANSFER: FACE FRONT:AS S'Y	D0BQ6125	ROLLER:FLAT B ELT-TRANSFER: FACE FRONT:AS S'Y	U008_S008	40	1	O/O			
202105-03	2105 Modification	-	D1492688	TENSION SPRIN G:WIRE	D0BQ2688	TENSION SPRIN G:WIRE	U013_S001	73	1	O/O			
202105-04	2105 Modification	-	D2414757	SPACER:DC MO TOR:DUPLEX	D0BQ4757	SPACER:DC MO TOR:DUPLEX:2	U013	184	1	O/O			
202105-05	2105 Modification	-	D1496311	GEAR:ON-OFF:C OLLAR:OUTPUT	D0BQ6311	GEAR:ON-OFF:C OLLAR:OUTPUT: HS	U008	29	1	O/O			
202105-06	2105 Modification	-			D2414648	BRACKET:SWIVE L:PEEN	U013_S001	210	1				
202105-07	2105 Modification	-			D1492571	GUIDE:POSITION ING:REGISTRATI ON:FRONT	U005	137	1				
202105-08	2105 Modification	-			D1492572	GUIDE:POSITION ING:REGISTRATI ON:REAR	U005	138	1				
202105-09	2105 Modification	-			B2231163	JOINT:ON-OFF:I NTERMEDIATE T RANSFER	U014_S002	58	1				
202105-10	2105 Modification	-			D2423072	GEAR:TRANSPOR T SCREW:REAR	U007_S001	50	1				
							U007_S002	50	1				
							U007_S003	50	1				
							U007_S004	50	1				

Design Change List

Number	Title	Set	Old Part		New Part		Index No.		Q'ty	Interchg		Reason	Cut-in S/N
			P/N	Name	P/N	Name	Group	ID		Indiv.	Set		
		-					U007_S005_S002	50	1				
							U007_S006_S002	50	1				
							U007_S007_S002	50	1				
							U007_S008_S002	50	1				
							U007_S009_S002	50	1				
202105-11	2105 Modification	-	AZ240315	(NA)(TWN(D240, D242)):DC POWER SUPPLY	AZ240386	(NA)(TWN(D240, D242)):DC POWER SUPPLY	U015	37	1	X/O			
			AZ240315	(NA)(TWN(D240, D242)):DC POWER SUPPLY	AZ240386	(NA)(TWN(D240, D242)):DC POWER SUPPLY	U015	37	1	X/O			
202105-12	2105 Modification	-	AZ240317	(EU/AA/KOR/CHN):DC POWER SUPPLY	AZ240387	(EU/AA/KOR/CHN):DC POWER SUPPLY	U015	107	1	X/O			
			AZ240317	(EU/AA/KOR/CHN):DC POWER SUPPLY	AZ240387	(EU/AA/KOR/CHN):DC POWER SUPPLY	U015	107	1	X/O			
			AZ240317	(EU/AA/KOR/CHN):DC POWER SUPPLY	AZ240387	(EU/AA/KOR/CHN):DC POWER SUPPLY	U015	107	1	X/O			
202103-01	2103 Modification	-	D2022654	CUSHION:GUIDE PLATE:SEPARATOR	D0BQ2654	CUSHION:GUIDE PLATE:SEPARATOR	U013_S001	121	2	O/O			
202103-02	2103 Modification	-	D2424055	(NA):FUSING UNIT:120V	D2424058	(NA/LA):FUSING UNIT:120V	U011_S004	104	1	O/O		NA Region only	

Design Change List

Number	Title	Set	Old Part		New Part		Index No.		Q'ty	Interchg		Reason	Cut-in S/N
			P/N	Name	P/N	Name	Group	ID		Indiv.	Set		
202103-03	2103 Modification	-			D2424058	(NA/LA):FUSING UNIT:120V	U011_S006	104	1				
202101-01	2101 Modification	-	D2415737	BRACKET:MAIN SWITCH	D2415738	BRACKET:MAIN SWITCH	U015	69	1	X/O			
202101-02	2101 Modification	-	D2414317	GUIDE:HARNES S:DRAWER:PRESS FIT	D0BQ4317	GUIDE:HARNES S:DRAWER:PRESS FIT	U011_S001	78	1	O/O			
			D2414317	GUIDE:HARNES S:DRAWER:PRESS FIT	D0BQ4317	GUIDE:HARNES S:DRAWER:PRESS FIT	U011_S002	78	1	O/O			
			D2414317	GUIDE:HARNES S:DRAWER:PRESS FIT	D0BQ4317	GUIDE:HARNES S:DRAWER:PRESS FIT	U011_S003	78	1	O/O			
			D2414317	GUIDE:HARNES S:DRAWER:PRESS FIT	D0BQ4317	GUIDE:HARNES S:DRAWER:PRESS FIT	U011_S004	78	1	O/O			
			D2414317	GUIDE:HARNES S:DRAWER:PRESS FIT	D0BQ4317	GUIDE:HARNES S:DRAWER:PRESS FIT	U011_S005	78	1	O/O			
202012-01	2012 Modification	-	D0BQ6766	(NA/AA_KOR):DECAL:CAUTION:ORIGINAL:ENGLISH	D0CZ6766	(EU):DECAL:CAUTION:ORIGINAL	U018	60	1	X/O		EU Region only	
202011-01	2011 Modification	-	D0BQ3287	TRANSPORT SCREW:NOZZLE:BK:ASS'Y	D0BQ3285	TRANSPORT SCREW:NOZZLE:BK:ASS'Y	U006	43	1	O/O			
202011-02	2011 Modification	-	D0BQ3240	TONER HOPPER:TONER SUPPLY:BK:ASS'Y	D0BQ3242	TONER HOPPER:TONER SUPPLY:BK:ASS'Y	U006_S009	35	1	O/O			
202011-03	2011 Modification	-	D0BQ3270	TONER HOPPER	D0BQ3272	TONER HOPPER	U006_S010	36	1	O/O			

Design Change List

Number	Title	Set	Old Part		New Part		Index No.		Q'ty	Interchg		Reason	Cut-in S/N
			P/N	Name	P/N	Name	Group	ID		Indiv.	Set		
		-		:TONER SUPPLY :C:ASS'Y		:TONER SUPPLY :C:ASS'Y							
202011-04	2011 Modification	-	D0BQ3280	TONER HOPPER :TONER SUPPLY :M:ASS'Y	D0BQ3282	TONER HOPPER :TONER SUPPLY :M:ASS'Y	U006_S011	37	1	O/O			
202011-05	2011 Modification	-	D0BQ3310	TONER HOPPER :TONER SUPPLY :Y:ASS'Y	D0BQ3312	TONER HOPPER :TONER SUPPLY :Y:ASS'Y	U006_S012	38	1	O/O			
202011-06	2011 Modification	-	D1492773	PULLEY:PICKUP: MECHANICAL R OLLER CLUTCH	D0BQ2773	PULLEY:PICKUP: MECHANICAL R OLLER CLUTCH: U	U005_S004	48	1	X/O			
							U005_S005	48	1				
202010-01	2010 Modification	-	D2414218	LINK:GATE PAW L:FUSING EXIT	D0BQ4218	LINK:GATE PAW L:FUSING EXIT	U011_S001	73	1	O/O			
							U011_S002	73	1				
							U011_S003	73	1				
							U011_S004	73	1				
							U011_S005	73	1				
202010-02	2010 Modification	-	D0BQ3288	TRANSPORT SC REW:NOZZLE:C MY:ASS'Y	D0BQ3286	TRANSPORT SC REW:NOZZLE:C MY:ASS'Y	U006	42	1	O/O			
			D0BQ3288	TRANSPORT SC REW:NOZZLE:C MY:ASS'Y	D0BQ3286	TRANSPORT SC REW:NOZZLE:C MY:ASS'Y	U006	42	1	O/O			
			D0BQ3288	TRANSPORT SC REW:NOZZLE:C MY:ASS'Y	D0BQ3286	TRANSPORT SC REW:NOZZLE:C MY:ASS'Y	U006	42	1	O/O			
202010-03	2010 Modification	-	D1491194	PULLEY:PAPER FEED:FEED:NO.1 :MECHANICAL R OLLER CLUTCH	D0BQ1194	PULLEY:FEED:N O.1:MECHANICA L ROLLER CLUT CH:U	U014_S003	30	1	O/O			

Design Change List

Number	Title	Set	Old Part		New Part		Index No.		Q'ty	Interchg		Reason	Cut-in S/N
			P/N	Name	P/N	Name	Group	ID		Indiv.	Set		
202009-01	2009 Modification	-	D2416003	(EU/CHN/AA/KOR/TWN):TRANSFER UNIT:INTERMEDIATE TRANSFER:ASS'Y	D2416004	(NA/LA):TRANSFER UNIT:INTERMEDIATE TRANSFER:ASS'Y	U008	42	1	O/O		NA Rigion only	
202009-02	2009 Modification	-			D2416004	(NA/LA):TRANSFER UNIT:INTERMEDIATE TRANSFER:ASS'Y	U008	42	1				
202009-03	2009 Modification	-	D1491196	GEAR:PAPER FEED:FEED:NO.2:MECHANICAL ROLLER CLUTCH	D0BQ1196	GEAR:FEED:NO.2:MECHANICAL ROLLER CLUTCH:U	U014_S003	32	1	O/O			
202008-01	2008 Modification	-	D2392244	(EU/CHN/AA/KOR/TWN):PCU:K	D2392245	(NA/LA):PCU:K	U007_S008_S001	48	1	O/O		NA Region only	
202008-02	2008 Modification	-	D2423091	(EU/CHN/AA/KOR/TWN):DEVELOPMENT UNIT:K	D2423096	(NA/LA):DEVELOPMENT UNIT:K	U007_S008_S002	49	1	O/O		NA Region only	
202008-03	2008 Modification	-			D2392245	(NA/LA):PCU:K	U007_S009_S001	48	1				
202008-04	2008 Modification	-			D2423096	(NA/LA):DEVELOPMENT UNIT:K	U007_S009_S002	49	1				
202008-05	2008 Modification	-	D1494423	SYNCHRONOUS BELT:40S2M122	D6842163	SYNCHRONOUS BELT:40S2M122	U012_S001	26	1	O/O			
202007-01	2007 Modification	-	D2416212	TRANSFER ROLLER:SECOND:ASS'Y	D0BQ6212	TRANSFER ROLLER:SECOND:ASS'Y	U009	45	1	O/O			
202007-02	2007 Modification	-	D2392227	(EU/CHN/AA/KOR/TWN):PCDU:K	D2392247	(NA/LA):PCDU:K	U007_S008	47	1	O/O		NA Region only	
202007-03	2007 Modification	-			D2392247	(NA/LA):PCDU:K	U007_S009	47	1				

Design Change List

Number	Title	Set	Old Part		New Part		Index No.		Q'ty	Interchg		Reason	Cut-in S/N
			P/N	Name	P/N	Name	Group	ID		Indiv.	Set		
202007-04	2007 Modification	-	D2426400	(EU/CHN/AA/KOR/TWN):COLLECTION BOTTLE:ASS'Y	D2426410	(NA/LA):COLLECTION BOTTLE:ASS'Y	U010	33	1	O/O		NA Region only	
202007-05	2007 Modification	-			D2426410	(NA/LA):COLLECTION BOTTLE:ASS'Y	U010	33	1				
202006-01	2006 Modification	-	D1473287	TRANSPORT SCREW:NOZZLE:BK:ASS'Y	D0BQ3287	TRANSPORT SCREW:NOZZLE:BK:ASS'Y	U006	39	1	O/O			
202006-02	2006 Modification	-	D1473288	TRANSPORT SCREW:NOZZLE:CMY:ASS'Y	D0BQ3288	TRANSPORT SCREW:NOZZLE:CMY:ASS'Y	U006	40	1	O/O			
			D1473288	TRANSPORT SCREW:NOZZLE:CMY:ASS'Y	D0BQ3288	TRANSPORT SCREW:NOZZLE:CMY:ASS'Y	U006	40	1	O/O			
			D1473288	TRANSPORT SCREW:NOZZLE:CMY:ASS'Y	D0BQ3288	TRANSPORT SCREW:NOZZLE:CMY:ASS'Y	U006	40	1	O/O			
202006-03	2006 Modification	-	D1493307	BASE:TONER SUPPLY	D0AF3307	BASE:TONER SUPPLY	U006	22	1	O/O			
202005-01	2005 Modification	-	D1492850	TRAY BOTTOM PLATE:ASS'Y	D0BQ2850	TRAY BOTTOM PLATE:ASS'Y	U005_S006_S004	78	1	O/O			
202004-01	2004 Modification	-	D2412656	HOLDER:HARNESS	D0BQ2656	HOLDER:HARNESS	U013_S001	146	1	O/O			
202002-01	2002 Modification	-	D2385626	(EU):(D241):PCB:SERVICE	D2385693	(EU):(D241):PCB:SERVICE	U015	115	1	O/O			
202001-01	2001 Modification	-	GW020024	PHOTOINTERRUPTOR:LG2A24BL1:GF	AW020198	PHOTOINTERRUPTOR:LG2A14NL1	U013_S001	37	1	O/O			

Design Change List

Number	Title	Set	Old Part		New Part		Index No.		Q'ty	Interchg		Reason	Cut-in S/N
			P/N	Name	P/N	Name	Group	ID		Indiv.	Set		
201912-01	1912 Modification	-	D2411713	SYNCHRONOUS BELT:890ST55-4.0	D0BQ1713	SYNCHRONOUS BELT:890ST55-4.0	U003	43	1	O/O			
201912-02	1912 Modification	-	D0AD5688	(D0AF-NA/EU):P CB:SERVICE	D0AD5667	(D0AF-NA/EU):P CB:SERVICE	U015	111	1	O/O			
			D0AD5688	(D0AF-NA/EU):P CB:SERVICE	D0AD5667	(D0AF-NA/EU):P CB:SERVICE	U015	111	1	O/O			
201912-03	1912 Modification	-			D0BQ1375	GEAR:PRESSUR E RELEASE:NO.1 :MECHANICAL R OLLER CLUTCH: U	U014_S004	56	1				
201911-01	1911 Modification	-	D0BQ2051	CHARGE UNIT:A SS'Y	D0BQ2071	CHARGE UNIT:A SS'Y	U007_S001 _S001	45	1	O/O			
			D0BQ2051	CHARGE UNIT:A SS'Y	D0BQ2071	CHARGE UNIT:A SS'Y	U007_S002 _S001	45	1	O/O			
			D0BQ2051	CHARGE UNIT:A SS'Y	D0BQ2071	CHARGE UNIT:A SS'Y	U007_S003 _S001	45	1	O/O			
			D0BQ2051	CHARGE UNIT:A SS'Y	D0BQ2071	CHARGE UNIT:A SS'Y	U007_S004 _S001	45	1	O/O			
201911-02	1911 Modification	-			D2415797	FRAME:RACK:RI GHT:PEEN	U015	117	1				
201911-03	1911 Modification	-			D1496133	VIBRATING PLAT E:FRONT:PEEN	U008_S001	45	1				
							U008_S004	45	1				
							U008_S005	45	1				
							U008_S006	45	1				
							U008_S007	45	1				
							U008_S008	45	1				
201911-04	1911 Modification	-			D1496136	VIBRATING PLAT E:REAR:PEEN	U008_S001	46	1				
							U008_S004	46	1				

Design Change List

Number	Title	Set	Old Part		New Part		Index No.		Q'ty	Interchg		Reason	Cut-in S/N
			P/N	Name	P/N	Name	Group	ID		Indiv.	Set		
		-					U008_S005	46	1				
							U008_S006	46	1				
							U008_S007	46	1				
							U008_S008	46	1				
201911-05	1911 Modification	-	AZ320216	POWER PACK:C B:H	AZ320233	POWER PACK:C B:H	U015	40	1	O/O			
201911-06	1911 Modification	-	D2414102	DRIVEN ROLLER: FUSING EXIT:AS S'Y	D0BQ4102	DRIVEN ROLLER: FUSING EXIT:AS S'Y	U011_S001	60	1	O/O			
			D2414102	DRIVEN ROLLER: FUSING EXIT:AS S'Y	D0BQ4102	DRIVEN ROLLER: FUSING EXIT:AS S'Y	U011_S002	60	1	O/O			
			D2414102	DRIVEN ROLLER: FUSING EXIT:AS S'Y	D0BQ4102	DRIVEN ROLLER: FUSING EXIT:AS S'Y	U011_S003	60	1	O/O			
			D2414102	DRIVEN ROLLER: FUSING EXIT:AS S'Y	D0BQ4102	DRIVEN ROLLER: FUSING EXIT:AS S'Y	U011_S004	60	1	O/O			
			D2414102	DRIVEN ROLLER: FUSING EXIT:AS S'Y	D0BQ4102	DRIVEN ROLLER: FUSING EXIT:AS S'Y	U011_S005	60	1	O/O			
201911-07	1911 Modification	-	D2414214	EXIT ROLLER:FU SING EXIT:RIGH T	D0BQ4214	EXIT ROLLER:FU SING EXIT:RIGH T	U011_S001	71	1	O/O			
							U011_S002	71	1				
							U011_S003	71	1				
							U011_S004	71	1				
							U011_S005	71	1				
201911-08	1911 Modification	-	AE020238	PRESSURE ROL LER:DIA32	AE020261	PRESSURE ROL LER:DIA32	U011_S001	41	1	O/O			
			AE020238	PRESSURE ROL LER:DIA32	AE020261	PRESSURE ROL LER:DIA32	U011_S002	41	1	O/O			

Design Change List

Number	Title	Set	Old Part		New Part		Index No.		Q'ty	Interchg		Reason	Cut-in S/N
			P/N	Name	P/N	Name	Group	ID		Indiv.	Set		
		-	AE020238	PRESSURE ROL LER:DIA32	AE020261	PRESSURE ROL LER:DIA32	U011_S003	41	1	O/O			
		-	AE020238	PRESSURE ROL LER:DIA32	AE020261	PRESSURE ROL LER:DIA32	U011_S004	41	1	O/O			
		-	AE020238	PRESSURE ROL LER:DIA32	AE020261	PRESSURE ROL LER:DIA32	U011_S005	41	1	O/O			
201910-01	1910 Modification	-	D2422278	PCDU:C	D2422218	PCDU:C	U007_S002	38	1	O/O			
201910-02	1910 Modification	-	D2422279	PCDU:M	D2422219	PCDU:M	U007_S003	35	1	O/O			
201909-01	1909 Modification	-	AW020207	PHOTOINTERRU PTOR:FLAT:PICH 2MM:M4	AW020249	PHOTOINTERRU PTOR:FLAT:PICH 2MM:M4	U003	20	1	O/O			
201908-01	1908 Modification	-	AX060492	DC POLYGON MI RROR MOTOR	AX060519	DC POLYGON MI RROR MOTOR	U004_S001	2	1	O/O			
201908-02	1908 Modification	-	D2414404	PAPER EXIT UNI T:ASS'Y	D2414406	PAPER EXIT UNI T:ASS'Y	U012_S001	37	1	O/O			
201908-03	1908 Modification	-	D2422280	PCDU:Y	D2422220	PCDU:Y	U007_S004	40	1	O/O			
201908-04	1908 Modification	-	D2423086	DEVELOPMENT UNIT:C	D2423092	DEVELOPMENT UNIT:C	U007_S002 _S002	31	1	O/O			
201908-05	1908 Modification	-	D2423087	DEVELOPMENT UNIT:M	D2423093	DEVELOPMENT UNIT:M	U007_S003 _S002	32	1	O/O			
201908-06	1908 Modification	-	D2423088	DEVELOPMENT UNIT:Y	D2423094	DEVELOPMENT UNIT:Y	U007_S004 _S002	33	1	O/O			
201908-07	1908 Modification	-	D0AD5687	(D0AE):PCB:SER VICE	D0AD5659	(D0AE):PCB:SER VICE	U015	112	1	O/O			
201908-08	1908 Modification	-	D2385625	(D240):PCB:SER VICE	D2385689	(D240):PCB:SER VICE	U015	114	1	O/O			
201907-01	1907 Modification	-	D2411678	SHEET:FFC:LOW ER	D0BQ1678	SHEET:FFC:LOW ER	U003	27	1	O/O			
201907-02	1907 Modification	-	D2422244	PCU:CMY	D2422245	PCU:CMY	U007_S002 _S001	34	1	O/O			

Design Change List

Number	Title	Set	Old Part		New Part		Index No.		Q'ty	Interchg		Reason	Cut-in S/N
			P/N	Name	P/N	Name	Group	ID		Indiv.	Set		
		-	D2422244	PCU:CMY	D2422245	PCU:CMY	U007_S003_S001	34	1	O/O			
		-	D2422244	PCU:CMY	D2422245	PCU:CMY	U007_S004_S001	34	1	O/O			
201907-03	1907 Modification	-	D2392226	PCDU:K	D2392227	(EU/CHN/AA/KOR/TWN):PCDU:K	U007_S001	44	1	O/O			
201907-04	1907 Modification	-	D2423085	DEVELOPMENT UNIT:K	D2423091	(EU/CHN/AA/KOR/TWN):DEVELOPMENT UNIT:K	U007_S001_S002	29	1	O/O			
201907-05	1907 Modification	-	D2385627	(D242):PCB:SER VICE	D2385694	(D242):PCB:SER VICE	U015	116	1	O/O			
201907-06	1907 Modification	-	D1473269	DRIVE UNIT:TONER BOTTLE:ASS'Y	D0BQ3219	DRIVE UNIT:TONER BOTTLE:ASS'Y	U006_S001	12	1	O/O			
			D1473269	DRIVE UNIT:TONER BOTTLE:ASS'Y	D0BQ3219	DRIVE UNIT:TONER BOTTLE:ASS'Y	U006_S002	12	1	O/O			
			D1473269	DRIVE UNIT:TONER BOTTLE:ASS'Y	D0BQ3219	DRIVE UNIT:TONER BOTTLE:ASS'Y	U006_S003	12	1	O/O			
			D1473269	DRIVE UNIT:TONER BOTTLE:ASS'Y	D0BQ3219	DRIVE UNIT:TONER BOTTLE:ASS'Y	U006_S004	12	1	O/O			
201907-07	1907 Modification	-	M0AJ2379	DUCT:GEAR:DEVELOPMENT:SUB-ASS'Y	D0BQ2379	DUCT:GEAR:DEVELOPMENT:SUB-ASS'Y	U007_S001	22	1	O/O			
			M0AJ2379	DUCT:GEAR:DEVELOPMENT:SUB-ASS'Y	D0BQ2379	DUCT:GEAR:DEVELOPMENT:SUB-ASS'Y	U007_S002	22	1	O/O			
			M0AJ2379	DUCT:GEAR:DEVELOPMENT:SUB-ASS'Y	D0BQ2379	DUCT:GEAR:DEVELOPMENT:SUB-ASS'Y	U007_S003	22	1	O/O			

Design Change List

Number	Title	Set	Old Part		New Part		Index No.		Q'ty	Interchg		Reason	Cut-in S/N
			P/N	Name	P/N	Name	Group	ID		Indiv.	Set		
		-		ELOPMENT:SUB-ASS'Y		ELOPMENT:SUB-ASS'Y							
			M0AJ2379	DUCT:GEAR:DEV ELOPMENT:SUB-ASS'Y	D0BQ2379	DUCT:GEAR:DEV ELOPMENT:SUB-ASS'Y	U007_S004	22	1	O/O			
201904-14	1904 Modification	A	D2412637	PAPER STOPPER:MANUAL FEED	D0BQ2637	PAPER STOPPER:MANUAL FEED	U013_S001	140	1	X/X		RTB:RD239097	
201904-15	1904 Modification	A	D1492638	LINK:PAPER STOPPER:MANUAL FEED	D0BQ2638	LINK:PAPER STOPPER:MANUAL FEED	U013_S001	66	1	X/X		RTB:RD239097	
201906-01	1906 Modification	-	D2392225	PCDU:K	D2392226	PCDU:K	U007	36	1	O/O			
201906-02	1906 Modification	-	D2392243	PCU:K	D2392244	(EU/CHN/AA/KOR/TWN):PCU:K	U007_S001_S001	37	1	O/O			
201906-03	1906 Modification	-	D2422062	CHARGE UNIT:ASS'Y	D0BQ2051	CHARGE UNIT:ASS'Y	U007_S001_S001	39	1	O/O			
			D2422062	CHARGE UNIT:ASS'Y	D0BQ2051	CHARGE UNIT:ASS'Y	U007_S002_S001	39	1	O/O			
			D2422062	CHARGE UNIT:ASS'Y	D0BQ2051	CHARGE UNIT:ASS'Y	U007_S003_S001	39	1	O/O			
			D2422062	CHARGE UNIT:ASS'Y	D0BQ2051	CHARGE UNIT:ASS'Y	U007_S004_S001	39	1	O/O			
201906-04	1906 Modification	-	D0AD5689	(D0AG):PCB:SERVICE	D0AD5668	(D0AG):PCB:SERVICE	U015	110	1	O/O			
201904-01	1904 Modification	-	D2414517	DUPLEX UNIT:ASS'Y	D2414519	DUPLEX UNIT:ASS'Y	U013_S001	206	1	O/O		RTB:RD147178	
201904-02	1904 Modification	-	D1492840	END FENCE:PAPER TRAY:ASS'Y	D0BQ2840	END FENCE:PAPER TRAY:ASS'Y	U005_S006_S003	134	1	O/O			
			D1492840	END FENCE:PAPER TRAY:ASS'Y	D0BQ2840	END FENCE:PAPER TRAY:ASS'Y	U005_S007_S001	134	1	O/O			
201904-03	1904 Modification	-	D1496336	TRANSFER ROL	D0BQ6060	TRANSFER ROL	U008_S001	44	1	O/O			

Design Change List

Number	Title	Set	Old Part		New Part		Index No.		Q'ty	Interchg		Reason	Cut-in S/N
			P/N	Name	P/N	Name	Group	ID		Indiv.	Set		
		-		LER:ASS'Y		LER:FC:ASS'Y							
			D1496336	TRANSFER ROL LER:ASS'Y	D0BQ6060	TRANSFER ROL LER:FC:ASS'Y	U008_S001	44	1	O/O			
			D1496336	TRANSFER ROL LER:ASS'Y	D0BQ6060	TRANSFER ROL LER:FC:ASS'Y	U008_S001	44	1	O/O			
201904-04	1904 Modification	-	D1493240	TONER HOPPER :TONER SUPPLY :BK:ASS'Y	D0BQ3240	TONER HOPPER :TONER SUPPLY :BK:ASS'Y	U006	35	1	O/O			
201904-05	1904 Modification	A	D1494655	GRIP:DUPLEX U NIT	D2894655	GRIP:DUPLEX U NIT	U013_S001	207	1	X/X		RTB:RD147178	
201904-06	1904 Modification	A	D1754654	SHAFT:LEVER:L OCK	D0BQ4654	SHAFT:LEVER:L OCK	U013_S001	205	1	X/X		RTB:RD147178	
201904-08	1904 Modification	B	D1492619	SHAFT:SEPARAT OR:DRIVE:ASS'Y	D0BQ2619	SHAFT:SEPARAT OR:DRIVE:ASS'Y	U013_S001	200	1	X/X		RTB:RD147178	
201904-09	1904 Modification	B	D1494770	SHAFT:SEPARAT OR:DRIVEN:ASS' Y	D0BQ2608	SHAFT:SEPARAT OR:DRIVEN:ASS' Y	U013_S001	198	1	X/X		RTB:RD147178	
201904-10	1904 Modification	B	D2412653	COIL SPRING:PR ESSURE:SEPAR ATOR	D0BQ2653	COIL SPRING:PR ESSURE:SEPAR ATOR	U013_S001	202	1	X/X		RTB:RD147178	
201904-11	1904 Modification	B	M0BW2615	GUIDE PLATE:SE PARATOR:ASS'Y	D0BQ2615	GUIDE PLATE:SE PARATOR:ASS'Y	U013_S001	199	1	X/X		RTB:RD147178	
201904-12	1904 Modification	C	D2414631	SIDE PLATE:REA R:DUPLEX:PEEN	D0BQ4631	SIDE PLATE:REA R:DUPLEX:PEEN	U013_S001	203	1	X/X		RTB:RD147178	
201904-13	1904 Modification	C	D2414644	GEAR:MECHANI CAL ROLLER CL UTCH	D0BQ4644	GEAR:MECHANI CAL ROLLER CL UTCH	U013_S001	204	1	X/X		RTB:RD147178	
201905-01	1905 Modification	-	D1493270	TONER HOPPER :TONER SUPPLY :C:ASS'Y	D0BQ3270	TONER HOPPER :TONER SUPPLY :C:ASS'Y	U006	36	1	O/O			

Design Change List

Number	Title	Set	Old Part		New Part		Index No.		Q'ty	Interchg		Reason	Cut-in S/N
			P/N	Name	P/N	Name	Group	ID		Indiv.	Set		
201905-02	1905 Modification	-	D1493280	TONER HOPPER :TONER SUPPLY :M:ASS'Y	D0BQ3280	TONER HOPPER :TONER SUPPLY :M:ASS'Y	U006	37	1	O/O			
201905-03	1905 Modification	-	D1493310	TONER HOPPER :TONER SUPPLY :Y:ASS'Y	D0BQ3310	TONER HOPPER :TONER SUPPLY :Y:ASS'Y	U006	38	1	O/O			
201903-04	1903 Modification	-	AW020224	PHOTOINTERRU PTOR:GP1A173L CSVF	AW020234	PHOTOINTERRU PTOR:GP1A173L CS5F	U005_S004	131	2	O/O			
							U005_S005	131	2				
							U008	43	1				
							U009	58	1				
							U012_S001	80	1				
201903-05	1903 Modification	-	D2412711	PAPER FEED UN IT:NO.1:ASS'Y	D0BQ2711	PAPER FEED UN IT:NO.1:ASS'Y	U005_S004	132	1	O/O			
201903-06	1903 Modification	-	D2412714	PAPER FEED UN IT:NO.2:ASS'Y	D0BQ2712	PAPER FEED UN IT:NO.2:ASS'Y	U005_S005	133	1	O/O			
201902-02	1902 Modification	-				D1493073	JOINT:DEVELOP MENT	U007_S001	41	1			
								U007_S002	41	1			
								U007_S003	41	1			
								U007_S004	41	1			
								U007_S005	41	1			
								U007_S006	41	1			
								U007_S007	41	1			
								U007_S008	41	1			

Design Change List

Number	Title	Set	Old Part		New Part		Index No.		Q'ty	Interchg		Reason	Cut-in S/N
			P/N	Name	P/N	Name	Group	ID		Indiv.	Set		
		-					_S002						
							U007_S009	41	1				
							_S002						
201902-03	1902 Modification	-			D1493074	GEAR:IDLER:TRANSPORT SCREW	U007_S001	42	1				
							_S002						
							U007_S002	42	1				
							_S002						
							U007_S003	42	1				
							_S002						
							U007_S004	42	1				
							_S002						
							U007_S005	42	1				
							_S002						
							U007_S006	42	1				
							_S002						
							U007_S007	42	1				
							_S002						
							U007_S008	42	1				
							_S002						
							U007_S009	42	1				
							_S002						
201902-04	1902 Modification	-			D1493075	GEAR:IDLER:DEVELOPMENT ROLLER	U007_S001	43	1				
							_S002						
							U007_S002	43	1				
							_S002						
							U007_S003	43	1				
							_S002						
							U007_S004	43	1				
							_S002						
							U007_S005	43	1				
							_S002						

Design Change List

Number	Title	Set	Old Part		New Part		Index No.		Q'ty	Interchg		Reason	Cut-in S/N
			P/N	Name	P/N	Name	Group	ID		Indiv.	Set		
		-					U007_S002						
							U007_S006	43	1				
							U007_S007	43	1				
							U007_S008	43	1				
							U007_S009	43	1				
201902-05	1902 Modification	-	D2416141	CLEANING UNIT: BELT CLEANING: ASS'Y	D0BQ6141	CLEANING UNIT: BELT CLEANING: ASS'Y	U008_S003	41	1	O/O			
201902-06	1902 Modification	-	D2385682	(D240):PCB:SER VICE	D2385625	(D240):PCB:SER VICE	U015	114	1	O/O			
201902-07	1902 Modification	-	D2385683	(EU):(D241):PCB: SERVICE	D2385626	(EU):(D241):PCB: SERVICE	U015	115	1	O/O			
201902-08	1902 Modification	-	D2385684	(D242):PCB:SER VICE	D2385627	(D242):PCB:SER VICE	U015	116	1	O/O			
201902-09	1902 Modification	-	D2416001	TRANSFER UNIT :INTERMEDIATE TRANSFER:ASS' Y	D2416003	(EU/CHN/AA/KOR/ /TWN):TRANSFE R UNIT:INTERME DIATE TRANSFE R:ASS'Y	U008	42	1	O/O			
201902-10	1902 Modification	-	G0652767	LEVER - FEED	D0BQ2785	PLAIN SHAFT BE ARING:FEED	U005_S004	130	1	O/O			
							U005_S005	130	1				
201902-13	1902 Modification	B	D1492775	SHAFT:FEED:AS S'Y	D0BQ2777	SHAFT:FEED:AS S'Y	U005_S005	129	1	X/X	O/O		
			D1492775	SHAFT:FEED:AS S'Y	D0BQ2777	SHAFT:FEED:AS S'Y	U005_S004	129	1	X/X			
201902-14	1902 Modification	B	D0892764	GEAR:FEED			U005_S005	29	1	X/X	O/O		

Design Change List

Number	Title	Set	Old Part		New Part		Index No.		Q'ty	Interchg		Reason	Cut-in S/N
			P/N	Name	P/N	Name	Group	ID		Indiv.	Set		
			D0892764	GEAR:FEED			U005_S004	29	1	X/X			
201901-01	1901 Modification	-	D1492873	TRAY BOTTOM PLATE:NO.2:ASS'Y	D0BQ2873	TRAY BOTTOM PLATE:NO.2:ASS'Y	U005_S007_S002	128	1	O/O			
201901-02	1901 Modification	-	D2422061	CHARGE UNIT:ASS'Y	D2422062	CHARGE UNIT:ASS'Y	U007_S001_S001	39	1	O/O			
			D2422061	CHARGE UNIT:ASS'Y	D2422062	CHARGE UNIT:ASS'Y	U007_S002_S001	39	1	O/O			
			D2422061	CHARGE UNIT:ASS'Y	D2422062	CHARGE UNIT:ASS'Y	U007_S003_S001	39	1	O/O			
			D2422061	CHARGE UNIT:ASS'Y	D2422062	CHARGE UNIT:ASS'Y	U007_S004_S001	39	1	O/O			
201901-03	1901 Modification	-	D2422227	PCDU:Y	D2422280	PCDU:Y	U007	40	1	O/O			
201901-04	1901 Modification	-			D1495822	BRACKET:POWER SUPPLY UNIT	U015	113	1				
201901-05	1901 Modification	-	M0AJ6861	(EU/NA/AA/KOR):DECAL:INKJET:MULTI-LANGUAGE	M0AJ6856	(EU/NA/AA/KOR):DECAL:INKJET:MANUAL FEED	U018	62	1	O/O			
			M0AJ6861	(EU/NA/AA/KOR):DECAL:INKJET:MULTI-LANGUAGE	M0AJ6856	(EU/NA/AA/KOR):DECAL:INKJET:MANUAL FEED	U018	62	1	O/O			
			M0AJ6861	(EU/NA/AA/KOR):DECAL:INKJET:MULTI-LANGUAGE	M0AJ6856	(EU/NA/AA/KOR):DECAL:INKJET:MANUAL FEED	U018	62	1	O/O			
201812-01	1812 Modification	-	D2392224	PCDU:K	D2392225	PCDU:K	U007	36	1	O/O			
201812-02	1812 Modification	-	D2392242	PCU:K	D2392243	PCU:K	U007_S001	37	1	O/O			
201812-03	1812 Modification	-	D2422225	PCDU:C	D2422278	PCDU:C	U007	38	1	O/O			
201811-01	1811 Modification	-	AW500040	PUSH SWITCH:SW1AG-550:10MA	AW500049	PUSH SWITCH:SW1AG-550	U005	127	2	O/O			
							U010	36	1				
							U013	196	1				
							U013_S001	196	1				

Design Change List

Number	Title	Set	Old Part		New Part		Index No.		Q'ty	Interchg		Reason	Cut-in S/N
			P/N	Name	P/N	Name	Group	ID		Indiv.	Set		
201811-02	1811 Modification	-	D2422226	PCDU:M	D2422279	PCDU:M	U007	35	1	O/O			
201811-03	1811 Modification	-	D2422243	PCU:CMY	D2422244	PCU:CMY	U007_S002	34	1	O/O			
			D2422243	PCU:CMY	D2422244	PCU:CMY	U007_S003	34	1	O/O			
			D2422243	PCU:CMY	D2422244	PCU:CMY	U007_S004	34	1	O/O			
201811-04	1811 Modification	-	GW020022	PHOTOINTERRU PTOR:LG2A24BL 1	GW020024	PHOTOINTERRU PTOR:LG2A24BL 1:GF	U003	64	1	X/O			
201811-05	1811 Modification	-	D2411309	MAGNET CATCH	D0BQ1309	MAGNET CATCH :COVER:FRONT	U001	76	1	O/O			
201811-06	1811 Modification	-	AW020198	PHOTOINTERRU PTOR:LG2A14NL 1	GW020024	PHOTOINTERRU PTOR:LG2A24BL 1:GF	U013_S001	197	1	O/O			
201811-07	1811 Modification	-	D1496766	(EU/NA/AA_KOR) :DECAL:CAUTIO N:ORIGINAL:ENG LISH	D0BQ6766	(NA/AA_KOR):DE CAL:CAUTION:O RIGINAL:ENGLIS H	U018	60	1	O/O			
			D1496766	(EU/NA/AA_KOR) :DECAL:CAUTIO N:ORIGINAL:ENG LISH	D0BQ6766	(NA/AA_KOR):DE CAL:CAUTION:O RIGINAL:ENGLIS H	U018	60	1	O/O			
			D1496766	(EU/NA/AA_KOR) :DECAL:CAUTIO N:ORIGINAL:ENG LISH	D0BQ6766	(NA/AA_KOR):DE CAL:CAUTION:O RIGINAL:ENGLIS H	U018	60	1	O/O			
201810-01	1810 Modification	-	D2414515	DUPLEX UNIT:AS S'Y	D2414517	DUPLEX UNIT:AS S'Y	U013	195	1	O/O			
201810-02	1810 Modification	-			M0BW6246	LINK:TRANSFER/ SEPARATION UN IT:MO	U009_S001	57	1				
201809-01	1809 Modification	-	AF013006	BOTTOM PLATE	AF013019	PAD:TRAY BOTT	U005_S006	126	1	O/O			

Design Change List

Number	Title	Set	Old Part		New Part		Index No.		Q'ty	Interchg		Reason	Cut-in S/N
			P/N	Name	P/N	Name	Group	ID		Indiv.	Set		
		-		PAD		OM PLATE	_S004						
							U005_S007_S002	126	1				
201809-02	1809 Modification	-	D2423065	DEVELOPMENT UNIT:C	D2423086	DEVELOPMENT UNIT:C	U007_S002	31	1	X/O			
201809-03	1809 Modification	-	D2423066	DEVELOPMENT UNIT:M	D2423087	DEVELOPMENT UNIT:M	U007_S003	32	1	X/O			
201809-04	1809 Modification	-	D2423067	DEVELOPMENT UNIT:Y	D2423088	DEVELOPMENT UNIT:Y	U007_S004	33	1	X/O			
201809-05	1809 Modification	-			D2422061	CHARGE UNIT:ASS'Y	U007_S001	30	1				
							U007_S002_S001	30	1				
							U007_S003_S001	30	1				
							U007_S004_S001	30	1				
201809-06	1809 Modification	-	D0AD5682	(D0AE):PCB:CTL:SERVICE	D0AD5687	(D0AE):PCB:SERVICE	U015	112	1	O/O			
201808-01	1808 Modification	-	D2422285	PCDU:C	D2422225	PCDU:C	U007	26	1	X/O			
201808-02	1808 Modification	-	D2422286	PCDU:M	D2422226	PCDU:M	U007	27	1	X/O			
201808-03	1808 Modification	-	D2422287	PCDU:Y	D2422227	PCDU:Y	U007	28	1	X/O			
201808-04	1808 Modification	-	D1494815	GUIDE PLATE:SEPARATOR:ASS'Y	M0BW2615	GUIDE PLATE:SEPARATOR:ASS'Y	U013_S001	194	1	O/O			
201808-05	1808 Modification	-	D2392284	PCDU:K	D2392224	PCDU:K	U007	25	1	X/O			
201808-06	1808 Modification	-	D2423064	DEVELOPMENT UNIT:K	D2423085	DEVELOPMENT UNIT:K	U007_S001	29	1	X/O			
201808-07	1808 Modification	-	D0AD5683	(D0AF-NA/EU):PCB:CTL:SERVICE	D0AD5688	(D0AF-NA/EU):PCB:SERVICE	U015	111	1	O/O			
			D0AD5683	(D0AF-NA/EU):P	D0AD5688	(D0AF-NA/EU):P	U015	111	1	O/O			

Design Change List

Number	Title	Set	Old Part		New Part		Index No.		Q'ty	Interchg		Reason	Cut-in S/N
			P/N	Name	P/N	Name	Group	ID		Indiv.	Set		
		-		CB:CTL:SERVICE		CB:SERVICE							
201807-01	1807 Modification	-			M0BW6228	TORSION SPRING:SEPARATION/TRANSPORT:28N	U009_S001	56	1				
201807-02	1807 Modification	-	D2417911	DUCT:DEVELOPMENT:FRONT	D0BH7911	DUCT:DEVELOPMENT:FRONT	U001	75	1	X/O			
201807-03	1807 Modification	-	D2424022	(EU/AA/KOR/CHN):FUSING UNIT:20/240V	D2424056	(EU/AA/KOR/CHN):FUSING UNIT:20/240V	U011_S001	106	1	O/O			
			D2424022	(EU/AA/KOR/CHN):FUSING UNIT:20/240V	D2424056	(EU/AA/KOR/CHN):FUSING UNIT:20/240V	U011_S002	106	1	O/O			
			D2424022	(EU/AA/KOR/CHN):FUSING UNIT:20/240V	D2424056	(EU/AA/KOR/CHN):FUSING UNIT:20/240V	U011_S003	106	1	O/O			
201807-04	1807 Modification	-	D0AD5684	(D0AG):PCB:CTL:SERVICE	D0AD5689	(D0AG):PCB:SERVICE	U015	110	1	O/O			
201806-01	1806 Modification	-	D2424023	(TWN):FUSING UNIT:110V	D2424057	(TWN):FUSING UNIT:110V	U011_S005	105	1	O/O			
201805-01	1805 Modification	-	D2411288	COVER:SCANNER:UPPER:RIGHT	D0BQ1288	COVER:SCANNER:UPPER:RIGHT	U001	74	1	O/O			
201805-02	1805 Modification	-	D2422237	PCDU:Y	D2422287	PCDU:Y	U007	24	1	O/O			
201805-03	1805 Modification	-			D2414631	SIDE PLATE:REAR:DUPLEX:PEEN	U013_S001	193	1				
201805-04	1805 Modification	-	D2424051	(NA):FUSING UNIT:120V	D2424055	(NA):FUSING UNIT:120V	U011	104	1	O/O			
201805-05	1805 Modification	-			D2425235	HARNESS:LSU: MOTOR	D9(1/2),F6(2/2)		2				
201804-01	1804 Modification	-	D1495174	PCB:TCB	D0BQ5172	PCB:TCB	U006	34	4	O/O			

Design Change List

Number	Title	Set	Old Part		New Part		Index No.		Q'ty	Interchg		Reason	Cut-in S/N
			P/N	Name	P/N	Name	Group	ID		Indiv.	Set		
201804-02	1804 Modification	-	D2411287	COVER:SCANNER:RIGHT	D0BQ1287	COVER:SCANNER:RIGHT	U001	72	1	O/O			
201804-03	1804 Modification	-	D2422236	PCDU:M	D2422286	PCDU:M	U007	23	1	O/O			
201804-04	1804 Modification	-	D2421265	COVER:RIGHT:REAR	D2391265	COVER:RIGHT:REAR	U001	73	1	O/O			
201804-05	1804 Modification	-	D2416215	GUIDE PLATE:TRANSFER:SECOND:ASSY	D2416216	GUIDE PLATE:TRANSFER:SECOND:ASSY	U009_S001	55	1	O/O			
201803-01	1803 Modification	-	AB012117	GEAR:IDLER:PRESSURE ROLLER	AB012120	GEAR:IDLER:PRESSURE ROLLER	U011_S001	103	1	X/O			
			AB012117	GEAR:IDLER:PRESSURE ROLLER	AB012120	GEAR:IDLER:PRESSURE ROLLER	U011_S002	103	1	X/O			
			AB012117	GEAR:IDLER:PRESSURE ROLLER	AB012120	GEAR:IDLER:PRESSURE ROLLER	U011_S003	103	1	X/O			
			AB012117	GEAR:IDLER:PRESSURE ROLLER	AB012120	GEAR:IDLER:PRESSURE ROLLER	U011_S004	103	1	X/O			
			AB012117	GEAR:IDLER:PRESSURE ROLLER	AB012120	GEAR:IDLER:PRESSURE ROLLER	U011_S005	103	1	X/O			
201802-02	1802 Modification	-	AB012118	GEAR:PRESSURE ROLLER	AB012119	GEAR:PRESSURE ROLLER	U011_S001	100	1	X/O			
							U011_S002	100	1				
							U011_S003	100	1				
							U011_S004	100	1				
							U011_S005	100	1				
201802-03	1802 Modification	-	D2411230	COVER:UPPER	D0BQ1230	COVER:UPPER	U001	71	1	O/O			
201802-04	1802 Modification	-	D2422235	PCDU:C	D2422285	PCDU:C	U007	21	1	O/O			

Design Change List

Number	Title	Set	Old Part		New Part		Index No.		Q'ty	Interchg		Reason	Cut-in S/N
			P/N	Name	P/N	Name	Group	ID		Indiv.	Set		
201802-05	1802 Modification	-	D2414105	GUIDE PLATE:FUSING EXIT:LEFT	D2414108	GUIDE:FUSING EXIT:LEFT	U011_S001	101	1	O/O			
							U011_S002	101					
							U011_S003	101					
							U011_S004	101					
							U011_S005	101					
201802-06	1802 Modification	-	D1492329	DUCT:GEAR:DEVELOPMENT:ASS'Y	M0AJ2379	DUCT:GEAR:DEVELOPMENT:SUB-ASS'Y	U007_S001	22	1	O/O			
			D1492329	DUCT:GEAR:DEVELOPMENT:ASS'Y	M0AJ2379	DUCT:GEAR:DEVELOPMENT:SUB-ASS'Y	U007_S002	22					
			D1492329	DUCT:GEAR:DEVELOPMENT:ASS'Y	M0AJ2379	DUCT:GEAR:DEVELOPMENT:SUB-ASS'Y	U007_S003	22					
			D1492329	DUCT:GEAR:DEVELOPMENT:ASS'Y	M0AJ2379	DUCT:GEAR:DEVELOPMENT:SUB-ASS'Y	U007_S004	22					
201802-07	1802 Modification	-	D2424021	(NA):FUSING UNIT:120V	D2424051	(NA):FUSING UNIT:120V	U011	102	1	O/O			
201802-08	1802 Modification	-			VSSG9008	FLOIL-G348 GREASE 20G	SPECIAL TOOLS	9	1				
201801-01	1801 Modification	-	D1484681	BRACKET:MOTOR:PEEN	D2414681	BRACKET:MOTOR:PEEN	U013_S001	192	1	X/O			
201801-02	1801 Modification	-	D2424011	(NA):FUSING UNIT:120V	D2424021	(NA):FUSING UNIT:120V	U011	99	1	O/O			
201801-03	1801 Modification	-	D1501290	COVER:SCANNER:UPPER:REAR	D0AF1290	COVER:SCANNER:UPPER:REAR	U001_S001	70	1	O/O			
201801-04	1801 Modification	-			D2411299	GUIDE PLATE:SCANNER	U018	59	1				
201801-05	1801 Modification	-			D1493256	BASE:TONER HO	U006	33	1				

Design Change List

Number	Title	Set	Old Part		New Part		Index No.		Q'ty	Interchg		Reason	Cut-in S/N
			P/N	Name	P/N	Name	Group	ID		Indiv.	Set		
		-				PPER:REAR:ASS'Y							
201712-01	1712 Modification	-	D2422241	PCU:CMY	D2422243	PCU:CMY	U007_S002	20	1	O/O			
			D2422241	PCU:CMY	D2422243	PCU:CMY	U007_S003	20	1	O/O			
			D2422241	PCU:CMY	D2422243	PCU:CMY	U007_S004	20	1	O/O			
201712-02	1712 Modification	-	D2380071	(NA)(TWN(D240, D242)):HEATER: SCANNER:120V: ASS'Y	D2380073	(NA)(TWN(D240, D242)):HEATER: SCANNER:120V: ASS'Y	U017	10	2	X/O			
201711-02	1711 Modification	-	D2424012	(EU/AA/KOR/CHN):FUSING UNIT:2 20/240V	D2424022	(EU/AA/KOR/CHN):FUSING UNIT:2 20/240V	U011	98	1	O/O			
			D2424012	(EU/AA/KOR/CHN):FUSING UNIT:2 20/240V	D2424022	(EU/AA/KOR/CHN):FUSING UNIT:2 20/240V	U011	98	1	O/O			
			D2424012	(EU/AA/KOR/CHN):FUSING UNIT:2 20/240V	D2424022	(EU/AA/KOR/CHN):FUSING UNIT:2 20/240V	U011	98	1	O/O			
201711-03	1711 Modification	-			D1494706	PIN:ARM:FRONT LOWER	U013_S001	191	1				
201711-04	1711 Modification	-	D1492576	GUIDE PLATE:REGISTRATION:FRONT LEFT	D2412576	GUIDE PLATE:REGISTRATION:FRONT LEFT	U005	125	1	O/O			
201711-05	1711 Modification	-	D2423063	DEVELOPMENT UNIT:Y	D2423067	DEVELOPMENT UNIT:Y	U007_S004	19	1	O/O			
201711-06	1711 Modification	-	D0AC1410	(EU/NA/AA/KOR/TWN):OPERATION PANEL:ASS'Y	D0AC1415	(EU/NA/AA/KOR/TWN):OPERATION SUB-UNIT:ASS'Y	U002	17	1	O/O			
			D0AC1410	(EU/NA/AA/KOR/	D0AC1415	(EU/NA/AA/KOR/	U002	17	1	O/O			

Design Change List

Number	Title	Set	Old Part		New Part		Index No.		Q'ty	Interchg		Reason	Cut-in S/N
			P/N	Name	P/N	Name	Group	ID		Indiv.	Set		
		-		TWN):OPERATION PANEL:ASS'Y		TWN):OPERATION SUB-UNIT:ASS'Y							
			D0AC1410	(EU/NA/AA/KOR/TWN):OPERATION PANEL:ASS'Y	D0AC1415	(EU/NA/AA/KOR/TWN):OPERATION SUB-UNIT:ASS'Y	U002	17	1	O/O			
			D0AC1410	(EU/NA/AA/KOR/TWN):OPERATION PANEL:ASS'Y	D0AC1415	(EU/NA/AA/KOR/TWN):OPERATION SUB-UNIT:ASS'Y	U002	17	1	O/O			
201711-07	1711 Modification	-	D0AC1411	(CHN):OPERATION PANEL:ASS'Y	D0AC1416	(CHN):OPERATION SUB-UNIT:ASS'Y	U002_S005	18	1	O/O			
201710-01	1710 Modification	-	D2423060	DEVELOPMENT UNIT:K	D2423064	DEVELOPMENT UNIT:K	U007_S001	18	1	O/O			
201710-02	1710 Modification	-	D2412712	PAPER FEED UNIT:NO.2:ASS'Y	D2412714	PAPER FEED UNIT:NO.2:ASS'Y	U005	123	1	O/O			
201710-03	1710 Modification	-	D2424013	(TWN):FUSING UNIT:110V	D2424023	(TWN):FUSING UNIT:110V	U011	97	1	O/O			
201710-04	1710 Modification	-	D0AG5114	BCU:TYPE-H3:ASS'Y	D0AG5116	BCU:TYPE-H3:ASS'Y	U015	109	1	X/O			
201710-05	1710 Modification	-	D2411480	CABLE:OPERATION SUB-UNIT:USB3.0	D2411482	CABLE:OPERATION SUB-UNIT:USB3.0	D5(2/2)		1	X/O			
201710-06	1710 Modification	-			D2413336	COVER:GEAR/TONER SUPPLY SUB-UNIT:C	U006	32	1				
201710-07	1710 Modification	-			M0AJ4981	DECAL:EXIT:GUIDE PLATE:LOWE	U012_S001	77	1				

Design Change List

Number	Title	Set	Old Part		New Part		Index No.		Q'ty	Interchg		Reason	Cut-in S/N
			P/N	Name	P/N	Name	Group	ID		Indiv.	Set		
		-				R:MIDDLE							
201710-08	1710 Modification	-			M0AJ4982	DECAL:EXIT:GUI DE PLATE:LOWE R:INNER BACK	U012_S001	78	1				
201710-10	1710 Modification	-			D1492780	GROUND WIRE: SENSOR:PAPER FEED	U005_S004	124	1				
							U005_S005	124	1				
201710-11	1710 Modification	-			D1494463	GROUND WIRE: SENSOR:REVER SE	U012_S001	79	1				
201710-12	1710 Modification	-			D2024684	GROUND WIRE: BRACKET:DRIVE N ROLLER	U013_S001	190	1				
201710-13	1710 Modification	-			D1494623	GROUND WIRE: BRACKET:ENTR ANCE:DUPLEX	A1(1/2)		1				
201710-14	1710 Modification	-			D2412657	GROUND WIRE: MANUAL FEED U NIT:REAR	B1(1/2)		1				
201710-15	1710 Modification	-			D2414697	GROUND WIRE: EXIT SENSOR:D UPLEX	A1(1/2)		1				
201710-16	1710 Modification	-			D2416250	GROUND WIRE: BRACKET:ENTR ANCE SENSOR	E7(1/2)		1				
201709-01	1709 Modification	-			08050100	RETAINING RING - M2.5	U007_S001	16	1				
							_S002	16	1				
							U007_S002	16	1				
							U007_S003	16	1				

Design Change List

Number	Title	Set	Old Part		New Part		Index No.		Q'ty	Interchg		Reason	Cut-in S/N
			P/N	Name	P/N	Name	Group	ID		Indiv.	Set		
		-					_S002						
							U007_S004	16	1				
							_S002						
							U007_S005	16	1				
							_S002						
							U007_S006	16	1				
							_S002						
							U007_S007	16	1				
							_S002						
							U007_S008	16	1				
							_S002						
							U007_S009	16	1				
							_S002						
201709-02	1709 Modification	-	D2392240	PCU:K	D2392242	PCU:K	U007_S001	17	1	O/O			
201709-03	1709 Modification	-	D2411417	(EU/NA/AA/KOR/TWN):OPERATION SUB-UNIT:ASS'Y	D0AC1410	(EU/NA/AA/KOR/TWN):OPERATION PANEL:ASS'Y	U002	16	1	O/O			
			D2411417	(EU/NA/AA/KOR/TWN):OPERATION SUB-UNIT:ASS'Y	D0AC1410	(EU/NA/AA/KOR/TWN):OPERATION PANEL:ASS'Y	U002	16	1	O/O			
			D2411417	(EU/NA/AA/KOR/TWN):OPERATION SUB-UNIT:ASS'Y	D0AC1410	(EU/NA/AA/KOR/TWN):OPERATION PANEL:ASS'Y	U002	16	1	O/O			
			D2411417	(EU/NA/AA/KOR/TWN):OPERATION SUB-UNIT:ASS'Y	D0AC1410	(EU/NA/AA/KOR/TWN):OPERATION PANEL:ASS'Y	U002	16	1	O/O			

Design Change List

Number	Title	Set	Old Part		New Part		Index No.		Q'ty	Interchg		Reason	Cut-in S/N
			P/N	Name	P/N	Name	Group	ID		Indiv.	Set		
201709-04	1709 Modification	-	D2921750	CARRIAGE:SCANNER:ASS'Y			U003_S001	58	1				
201709-05	1709 Modification	-	D2411640	OPTICAL READING UNIT:CARRIAGE:SCANNER	D0AC1640	OPTICAL READING UNIT:CARRIAGE:SCANNER	U003_S001	62	1	O/O			
201708-01	1708 Modification	-	D2423061	DEVELOPMENT UNIT:C	D2423065	DEVELOPMENT UNIT:C	U007_S002	14	1	O/O			
201708-02	1708 Modification	-	D2423062	DEVELOPMENT UNIT:M	D2423066	DEVELOPMENT UNIT:M	U007_S003	15	1	O/O			
201708-03	1708 Modification	-	D1482906	LEVER:STRETCH:PAPER TRAY:ASS'Y	D2412906	LEVER:STRETCH:PAPER TRAY:ASS'Y	U005	122	1	O/O			
			D1482906	LEVER:STRETCH:PAPER TRAY:ASS'Y	D2412906	LEVER:STRETCH:PAPER TRAY:ASS'Y	U005	122	1	O/O			
201707-01	1707 Modification	-	D2415109	PCB:IOB:TRANS PORT	D2415110	PCB:IOB:TRANS PORT	U015	108	1	O/O			
201707-02	1707 Modification	-			D2414899	SHEET:RACK:MANUAL FEED	U013_S001_S001	189	1				
					D2414899	SHEET:RACK:MANUAL FEED	U013_S001_S001	189	1				
201706-01	1706 Modification	-	D2392264	PCDU:K	D2392284	PCDU:K	U007	13	1	O/O			
201706-02	1706 Modification	-	D2414497	TRAY:EXIT	M0AJ4497	TRAY:EXIT	U012	76	1	O/O			
201706-03	1706 Modification	-	AZ240269	(EU/AA/KOR/CHN):DC POWER SUPPLY	AZ240317	(EU/AA/KOR/CHN):DC POWER SUPPLY	U015	107	1	X/O			
			AZ240269	(EU/AA/KOR/CHN):DC POWER SUPPLY	AZ240317	(EU/AA/KOR/CHN):DC POWER SUPPLY	U015	107	1	X/O			
			AZ240269	(EU/AA/KOR/CHN):DC POWER SUPPLY	AZ240317	(EU/AA/KOR/CHN):DC POWER SUPPLY	U015	107	1	X/O			

Design Change List

Number	Title	Set	Old Part		New Part		Index No.		Q'ty	Interchg		Reason	Cut-in S/N
			P/N	Name	P/N	Name	Group	ID		Indiv.	Set		
		-):DC POWER SUPPLY):DC POWER SUPPLY							
201706-04	1706 Modification	A	D2412630	SIDE FENCE:FRONT:ASS'Y	D2412690	SIDE FENCE:FRONT:ASS'Y	U013_S001_S001_S001	187	1	O/O			
201706-05	1706 Modification	A	D2412632	SIDE FENCE:REAR:ASS'Y	D2412691	SIDE FENCE:REAR:ASS'Y	U013_S001_S001_S002	188	1	O/O			
201706-06	1706 Modification	-	D2411418	(CHN):OPERATION SUB-UNIT:ASS'Y	D0AC1411	(CHN):OPERATION PANEL:ASS'Y	U002	15	1	O/O			
201705-03	1705 Modification	-	D2425114	BCU:TYPE-H3:ASS'Y	D0AG5114	BCU:TYPE-H3:ASS'Y	U015	96	1	X/O			
201705-04	1705 Modification	-	D2392234	PCDU:K	D2392264	PCDU:K	U007	3	1	O/O			
201705-05	1705 Modification	-	AZ240267	(NA)(TWN(D240, D242)):DC POWER SUPPLY	AZ240315	(NA)(TWN(D240, D242)):DC POWER SUPPLY	U015	37	1	X/O			
			AZ240267	(NA)(TWN(D240, D242)):DC POWER SUPPLY	AZ240315	(NA)(TWN(D240, D242)):DC POWER SUPPLY	U015	37	1	X/O			
201705-06	1705 Modification	-	D7390116	(NA)(TWN(D240, D242)):HEATER:PHOTOCONDUCTOR:ASS'Y	D3BR2201	(NA)(TWN(D240, D242)):HEATER:PHOTOCONDUCTOR:ASS'Y	U017	8	2	X/O			
201705-07	1705 Modification	-	D7390117	(EU/AA/KOR/CHN):HEATER:PHOTOCONDUCTOR:ASS'Y	D3BR2202	(EU/AA/KOR/CHN):HEATER:PHOTOCONDUCTOR:ASS'Y	U017	9	3	X/O			
201705-08	1705 Modification	-	D1473286	TRANSPORT SCREW:NOZZLE:C	D1473288	TRANSPORT SCREW:NOZZLE:C	U006	16	1	X/O			

Design Change List

Number	Title	Set	Old Part		New Part		Index No.		Q'ty	Interchg		Reason	Cut-in S/N
			P/N	Name	P/N	Name	Group	ID		Indiv.	Set		
		-		MY:ASS'Y		MY:ASS'Y							
			D1473286	TRANSPORT SC REW:NOZZLE:C MY:ASS'Y	D1473288	TRANSPORT SC REW:NOZZLE:C MY:ASS'Y	U006	16	1	X/O			
			D1473286	TRANSPORT SC REW:NOZZLE:C MY:ASS'Y	D1473288	TRANSPORT SC REW:NOZZLE:C MY:ASS'Y	U006	16	1	X/O			
201705-09	1705 Modification	-	D2425235	HARNESS:LSU:M OTOR			D9(1/2),F6(2/2)		0				
201704-01	1704 Modification	-	D2385662	(D240):PCB:SER VICE	D2385682	(D240):PCB:SER VICE	U015	58	1	O/O			
201704-02	1704 Modification	-	D2385664	(D242):PCB:SER VICE	D2385684	(D242):PCB:SER VICE	U015	60	1	O/O			
201704-03	1704 Modification	-			M0AJ6871	(TWN):DECAL:IN KJET:MULTI-LAN GUAGE	U018	58	1				
201704-04	1704 Modification	-	D2414513	DUPLEX UNIT:AS S'Y	D2414515	DUPLEX UNIT:AS S'Y	U013	185	1	O/O			
201704-05	1704 Modification	-	D2415334	HARNESS:CT:3P: CONNECTING	D1495334	HARNESS:CT:3P: CONNECTING	B6,C6(1/2)		4	X/O			
201703-01	1703 Modification	-			D1496542	BRACKET:USED TONER SENSOR	U010	35	1				
201703-02	1703 Modification	-			D0AD5682	(D0AE):PCB:CTL: SERVICE	U015	104	1				
201703-03	1703 Modification	-			D0AD5683	(D0AF-NA/EU):P CB:CTL:SERVICE	U015	105	1				
					D0AD5683	(D0AF-NA/EU):P CB:CTL:SERVICE	U015	105	1				
201703-04	1703 Modification	-			D0AD5684	(D0AG):PCB:CTL: SERVICE	U015	106	1				

Design Change List

Number	Title	Set	Old Part		New Part		Index No.		Q'ty	Interchg		Reason	Cut-in S/N
			P/N	Name	P/N	Name	Group	ID		Indiv.	Set		
201702-01	1702 Modification	-	D2411750	CARRIAGE:SCANNER:ASS'Y			U003_S001	58	1	O/O			
201702-02	1702 Modification	-	D2411231	COVER:UPPER:FRONT	D2421231	COVER:UPPER:FRONT	U001	40	1	X/O			
201702-03	1702 Modification	-	D2385663	(EU):(D241):PCB:SERVICE	D2385683	(EU):(D241):PCB:SERVICE	U015	59	1	O/O			
201702-04	1702 Modification	-			D2412731	STOPPER:GUIDE PLATE:SWIVEL	U005	121	1				
					D2412731	STOPPER:GUIDE PLATE:SWIVEL	U005	121	1				
201702-05	1702 Modification	-	D1492856	GRIP:PAPER TRAY	D2442856	GRIP:PAPER TRAY	U005_S006	79	1	X/O			
							U005_S007	79	1				
201702-06	1702 Modification	-	D1473285	TRANSPORT SCREW:NOZZLE:BACK:ASS'Y	D1473287	TRANSPORT SCREW:NOZZLE:BACK:ASS'Y	U006	15	1	X/O			
201701-01	1701 Modification	-			D2414627	COVER:DUPLEX	U013_S001	186	1				
201701-02	1701 Modification	-			D1496112	ROLLER:FLAT BELT-TRANSFER:FACE FRONT:ASS'Y	U008_S001	40	1				
							U008_S004	40	1				
							U008_S005	40	1				
							U008_S006	40	1				
							U008_S007	40	1				
							U008_S008	40	1				
201612-01	1612 Modification	-			D2411767	PLAIN SHAFT BEARING:90ANG	U003_S001	61	1				
201611-01	1611 Modification	-			D2414513	DUPLEX UNIT:ASS'Y	U013	185	1				
201611-02	1611 Modification	-	D2411718	CAP:COVER	D2411788	CAP:COVER:POSITIONING	U018	37	1	X/O			
			D2411718	CAP:COVER	D2411788	CAP:COVER:POSITIONING	U018	37	1	X/O			

Design Change List

Number	Title	Set	Old Part		New Part		Index No.		Q'ty	Interchg		Reason	Cut-in S/N
			P/N	Name	P/N	Name	Group	ID		Indiv.	Set		
201611-03	1611 Modification	-	D2411247	COVER:FRONT: USED TONER	D2421247	COVER:FRONT: USED TONER	U001	45	1	X/O			
201611-04	1611 Modification	-	D1494390	(NA/AA/KOR):DE CAL:CAUTION:IN KJET			U018	22	2				
201611-05	1611 Modification	-	D1496667	(CHN):DECAL:CA UTION:INKJET			U018	23	1				
201611-06	1611 Modification	-	D1496668	(TWN):DECAL:CA UTION:INKJET			U018	24	1				
201611-07	1611 Modification	-			M0AJ6870	(CHN):(D240/D24 2/D0AE/D0AG)DE CAL:INKJET:MUL TI-LANGUAGE:CH	U018	57	1				
201611-08	1611 Modification	-	D2406752	(EU/NA/AA/KOR): (D240):DECAL:M ODEL NAME PLA TE:RIC	D2406753	(CHN(D24021)/T WN(D240)):DECA L:MODEL NAME PLATE:RIC	U018	35	1	X/O			
201611-09	1611 Modification	-	D2426752	(EU/NA/AA/KOR): (D242):DECAL:M ODEL NAME PLA TE:RIC	D2426753	(CHN(D24221)/T WN(D242)):DECA L:MODEL NAME PLATE:RIC	U018	45	1	X/O			
201611-10	1611 Modification	-			D2411671	PROTECTION:CA RRRIAGE:SCANN ER	U003	60	2				
201611-11	1611 Modification	-			D2414960	BASE:PLATE:EXI T	U012	73	1				
201611-12	1611 Modification	-			D2414971	LINK:PLATE:EXIT	U012	74	2				
201611-13	1611 Modification	-			D2414972	GUIDE:PLATE:EX IT	U012	75	2				

Design Change List

Number	Title	Set	Old Part		New Part		Index No.		Q'ty	Interchg		Reason	Cut-in S/N
			P/N	Name	P/N	Name	Group	ID		Indiv.	Set		
201611-14	1611 Modification	-			D1491268	COVER:RIGHT:LOWER	U018	56	1				
201610-01	1610 Modification	-	D1491317	HOLDER:GLASS:CLEANER:ASS'Y	D2581317	HOLDER:GLASS:CLEANER:ASS'Y	U018	16	1	O/O			
201609-01	1609 Modification	-			D2414757	SPACER:DC MOTOR:DUPLEX	U013	184	1				
201608-01	1608 Modification	B	D1494643	TRANSPORT ROLLER:ENTRANCE	D2414643	TRANSPORT ROLLER:ENTRANCE	U013_S001	78	2	X/O	X/O		
201608-02	1608 Modification	B	D1494766	PULLEY:T26/T26	D2414766	TRANSPORT ROLLER:EXIT:DIA8	U013_S001	99	1	X/O	X/O		
			D1494766	PULLEY:T26/T26	D2414766	TRANSPORT ROLLER:EXIT:DIA8	U013_S001	99	1	X/O			
201608-03	1608 Modification	A	D1494779	TRANSPORT ROLLER:EXIT:DIA8	D2414640	TRANSPORT ROLLER:EXIT:DIA8	U013_S001	102	1	X/O	X/O		
201608-04	1608 Modification	A	D1494766	PULLEY:T26/T26	D2414766	TRANSPORT ROLLER:EXIT:DIA8	U013_S001	99	1	X/O	X/O		
201607-01	1607 Modification	-			AX060492	DC POLYGON MIRROR MOTOR	U004_S001	2	1				
201607-02	1607 Modification	-	D2411424	(EU/NA/AA/KOR/TWN):OPERATION SUB-UNIT:ASS'Y	D2411417	(EU/NA/AA/KOR/TWN):OPERATION SUB-UNIT:ASS'Y	U002	13	1	O/O			
			D2411424	(EU/NA/AA/KOR/TWN):OPERATION SUB-UNIT:ASS'Y	D2411417	(EU/NA/AA/KOR/TWN):OPERATION SUB-UNIT:ASS'Y	U002	13	1	O/O			
			D2411424	(EU/NA/AA/KOR/TWN):OPERATION SUB-UNIT:ASS'Y	D2411417	(EU/NA/AA/KOR/TWN):OPERATION SUB-UNIT:ASS'Y	U002	13	1	O/O			

Design Change List

Number	Title	Set	Old Part		New Part		Index No.		Q'ty	Interchg		Reason	Cut-in S/N
			P/N	Name	P/N	Name	Group	ID		Indiv.	Set		
		-		Y		Y							
			D2411424	(EU/NA/AA/KOR/TWN):OPERATION SUB-UNIT:ASS'Y	D2411417	(EU/NA/AA/KOR/TWN):OPERATION SUB-UNIT:ASS'Y	U002	13	1	O/O			
201607-03	1607 Modification	-	D2411426	(CHN):OPERATION SUB-UNIT:ASS'Y	D2411418	(CHN):OPERATION SUB-UNIT:ASS'Y	U002	14	1	O/O			
201606-01	1606 Modification	-	D1771592	SCREW:M3X6	08025299	TAPPING SCREW - M3X8	U002	12	9	X/O			
201606-02	1606 Modification	-			D2411251	COVER:LEFT:UPPER	U001	69	1				
201606-03	1606 Modification	-	D2591485	(EU/NA/AA/KOR):IC:NFC_TAG:RCH-NTG215	D1961485	(EU/NA/AA/KOR)(CHN:D242/D0AE/D0AG):IC:NFC_TAG:MN63Y3212NB	U018	31	1	X/O			
			D2591485	(EU/NA/AA/KOR):IC:NFC_TAG:RCH-NTG215	D1961485	(EU/NA/AA/KOR)(CHN:D242/D0AE/D0AG):IC:NFC_TAG:MN63Y3212NB	U018	31	1	X/O			
			D2591485	(EU/NA/AA/KOR):IC:NFC_TAG:RCH-NTG215	D1961485	(EU/NA/AA/KOR)(CHN:D242/D0AE/D0AG):IC:NFC_TAG:MN63Y3212NB	U018	31	1	X/O			
201605-01	1605 Modification	-	AW020203	PHOTOINTERRUPTOR:GP1A173LCS2F	AW020224	PHOTOINTERRUPTOR:GP1A173LCSVF	U005_S004	23	1	X/O			

Design Change List

Number	Title	Set	Old Part		New Part		Index No.		Q'ty	Interchg		Reason	Cut-in S/N
			P/N	Name	P/N	Name	Group	ID		Indiv.	Set		
		-	AW020203	PHOTOINTERRU PTOR:GP1A173L CS2F	AW020224	PHOTOINTERRU PTOR:GP1A173L CSVF	U005_S004	23	1	X/O			
			AW020203	PHOTOINTERRU PTOR:GP1A173L CS2F	AW020224	PHOTOINTERRU PTOR:GP1A173L CSVF	U005_S005	23	1	X/O			
			AW020203	PHOTOINTERRU PTOR:GP1A173L CS2F	AW020224	PHOTOINTERRU PTOR:GP1A173L CSVF	U005_S005	23	1	X/O			
			AW020203	PHOTOINTERRU PTOR:GP1A173L CS2F	AW020224	PHOTOINTERRU PTOR:GP1A173L CSVF	U008	10	1	X/O			
			AW020203	PHOTOINTERRU PTOR:GP1A173L CS2F	AW020224	PHOTOINTERRU PTOR:GP1A173L CSVF	U009	15	1	X/O			
			AW020203	PHOTOINTERRU PTOR:GP1A173L CS2F	AW020224	PHOTOINTERRU PTOR:GP1A173L CSVF	U012_S001	18	1	X/O			
201605-02	1605 Modification	-	D2411416	(CHN):OPERATI ON PANEL:ASS'Y	D2411426	(CHN):OPERATI ON SUB-UNIT:AS S'Y	U002	7	1	X/O			
201605-03	1605 Modification	-	D1496345	CAM:SHUTTER:T M SENSOR			U008_S001	34	1				
							U008_S004	34	1				
							U008_S005	34	1				
							U008_S006	34	1				
							U008_S007	34	1				
							U008_S008	34	1				
201605-04	1605 Modification	-	D2411414	(EU/NA/AA/KOR/ TWN):OPERATIO N PANEL:ASS'Y	D2411424	(EU/NA/AA/KOR/ TWN):OPERATIO N SUB-UNIT:ASS'	U002	6	1	X/O			

Design Change List

Number	Title	Set	Old Part		New Part		Index No.		Q'ty	Interchg		Reason	Cut-in S/N
			P/N	Name	P/N	Name	Group	ID		Indiv.	Set		
		-				Y							
			D2411414	(EU/NA/AA/KOR/TWN):OPERATION PANEL:ASS'Y	D2411424	(EU/NA/AA/KOR/TWN):OPERATION SUB-UNIT:ASS'Y	U002	6	1	X/O			
			D2411414	(EU/NA/AA/KOR/TWN):OPERATION PANEL:ASS'Y	D2411424	(EU/NA/AA/KOR/TWN):OPERATION SUB-UNIT:ASS'Y	U002	6	1	X/O			
			D2411414	(EU/NA/AA/KOR/TWN):OPERATION PANEL:ASS'Y	D2411424	(EU/NA/AA/KOR/TWN):OPERATION SUB-UNIT:ASS'Y	U002	6	1	X/O			

