

Pro C7200/C7210/C7200X/C7210X
(M0BH/M0BJ/M0BK/M0BL-CHN)
Parts Catalog

Parts change information sample

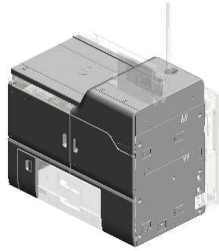
 **Add**

 **Update**

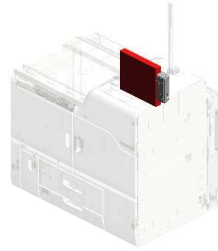
 **Delete**

Model	Product Code	PC Style
Pro C7200S/C7210S/C7200SL/C7200SX/C7210SX	D0A5/D0AK/D0BG/D0AL/D0AM	3D
Pro C7200/C7200e/C7210/C7200X/C7210X	M0BH/M0CN/M0BJ/M0BK/M0BL	3D
Decurl Unit DU5060	D3FA	3D
Vacuum Feed LCIT RT5120	D3EW	3D
Vacuum Feed Banner Sheet Tray Type S9	D3EW	3D
LCIT RT5110	D3ET	3D
Buffer Pass Unit Type S9	D3FC	3D
Multi Bypass Tray BY5020	D3EV	3D
Multi Bypass Banner Sheet Tray Type S9	D3EV	3D
High Capacity Stacker SK5040	D3DK	3D
Roll-Away Cart Type 5010	D456	3D
Multi Bypass Attachment Kit for Vacuum Feed LCIT Type S9	D3EW	3D
5th Station Replacement Kit Type S9	D899	3D
Toner Interchange Unit Type S9	D3FD	3D
RPIP Interface Box Type S3	M462	Traditional
Counter Interface Type M12	B870	Traditional
OCR Unit Type M2	D166	Traditional
PostScript3 Unit Type S9	D3EX	Traditional
Color Controller E-45A	M521	Traditional
Color Controller E-85A	M522	Traditional
TotalFlow Print Server R-62A	M526	Traditional
Prinect DFE	M526	Traditional

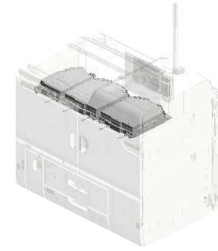
Unit All



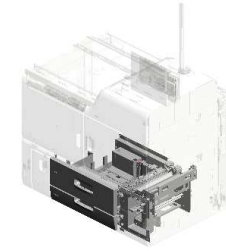
U001
EXTERIOR



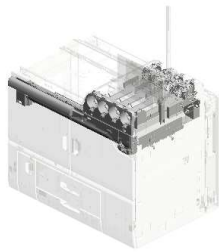
U002
OPERATION



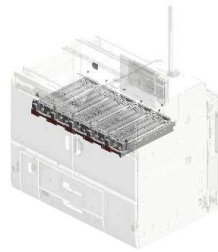
U003
LASER UNIT



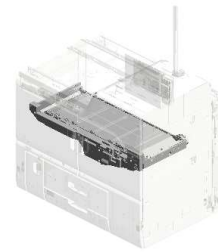
U004
PAPER FEED



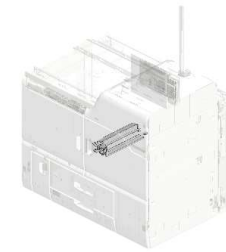
U005
TONER SUPPLY



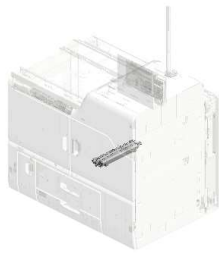
U006
PCDU



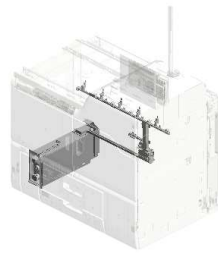
U007
ITB UNIT



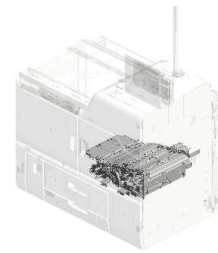
U008
ITB CLEANING



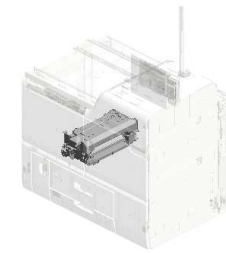
U009
TRANSFER/SEPARATION



U010
USED TONER

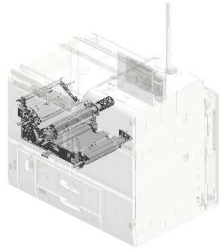


U011
PAPER TRANSPORT

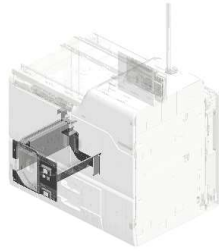


U012
FUSING:(C7200+/C7210+)

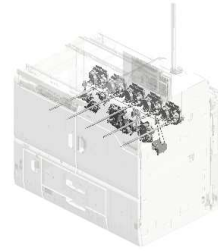
Unit All



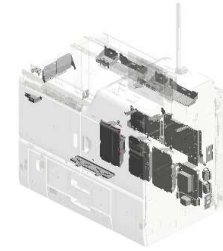
U013
PAPER EXIT



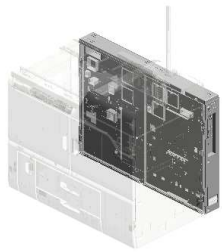
U014
DUPLEX



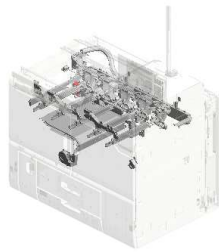
U015
MAIN DRIVE



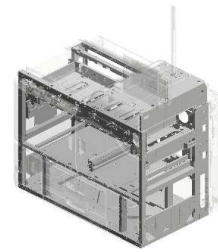
U016
ELECTRICAL



U017
CONTROLLER:(C7200+/C7210+)



U018
AIR COOLING:(C7200+/C7210+)



U019
MAIN FRAME



U020
ACCESSORIES

U001.EXTERIOR

U001 S005
D1947716
COVER:MAIN:LEFT:ASS'Y

U001 S009
D0A57842
INNER COVER:PULL OUT:LE
FT:ASS'Y

U001 S007
M0EB7873
COVER:TONER SUPPLY:UPP
ER:ASS'Y

U001 S001
D0747780
DOOR:FRONT LEFT:UPPER:
ASS'Y

U001 S003
D0747810
DOOR:FRONT RIGHT:UPPER
:ASS'Y

U001 S011
D0A57842
INNER COVER:PULL OUT:LE
FT:ASS'Y

U001 S006
D0A57806
COVER:MAIN:RIGHT:ASS'Y

U001 S002
D0747791
DOOR:COLLECTION BOTTLE
:ASS'Y

U001 S008
D0A57841
INNER COVER:PULL OUT:RI
GHT:ASS'Y

U001 S004
D0A57816
SUPPORTING PLATE:DOOR:
FRONT RIGHT:ASS'Y

U001 S010
D0A57841
INNER COVER:PULL OUT:RI
GHT:ASS'Y

U001	U002	U003	U004	U005	U006	U007	U008	U009	U010	U011	U012	U013	U014	U015	U016	U017	U018	U019	U020
------	------	------	------	------	------	------	------	------	------	------	------	------	------	------	------	------	------	------	------

U001 EXTERIOR



- 34.D0747850 HINGE:LEFT UPPER ASS'Y
- 7.54472681 (x4) SNAP RING
- 10.AG070512 MAGNET CATCH:ASS'Y
- 11.AG070514 MAGNET CATCH
- 17.D0747752 (x5) CAP:COVER:TONE R SUPPLY

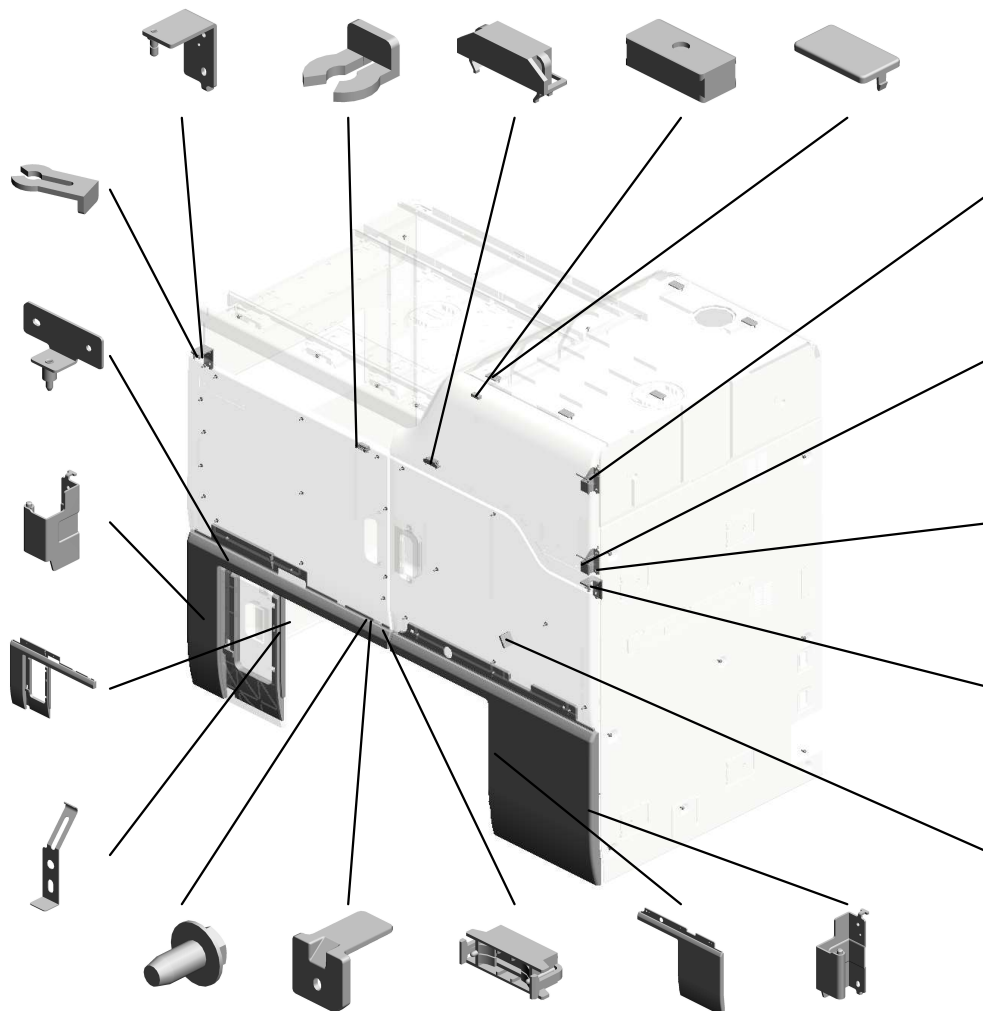
- 15.C1012360 (x2) SNAP RING

- 22.D0747787 HINGE:DOOR:COLLECTION BOTTLE:ASS'Y

- 35.D0747854 HINGE:LEFT LOWER ASS'Y

- 39.D0A57259 DOOR:FRONT LEFT:LOWER

- 27.D0747797 SPRING PLATE:DOOR:LEFT LOWER



- 19.D0747762 (x2) BRACKET:HINGE:TONER SUPPLY

- 4.08025324 (x10) HEXAGON HEAD TAPPING SCREW:PF:4X10

- 5.11050723 CLAMPS:WES-0507

- 13.B1041303 (x2) HINGE SHAFT

- 2.04514008N (x20) TAPPING SCREW:4X8

- 6.11050760 CLAMP:LWSM-0511A

- 36.D0747858 HINGE:RIGHT UPPER ASS'Y

- 1.03604008N(x17) SCREW - M4X8
- 2.04514008N(x30) TAPPING SCREW:4X8
- 3.04544008Q(x 4) TAPPING SCREW - M4X8

- 56.D1942927 STOPPER:LEVER:5MM

- 4.08025324 (x52) HEXAGON HEAD TAPPING SCREW:PF:4X10

- 14.B2341293 LEVER - SAFETY SWITCH

- 12.AG071013 (x2) MAGNET CATCH:4.5N:ASS'Y

- 29.D0747814 DOOR:FRONT RIGHT:LOWER

- 37.D0747861 HINGE:RIGHT LOWER ASS'Y

U001 EXTERIOR

64.M0447745 (x4)
BRACKET:COVER:
UPPER MIDDLE:FR
ONT

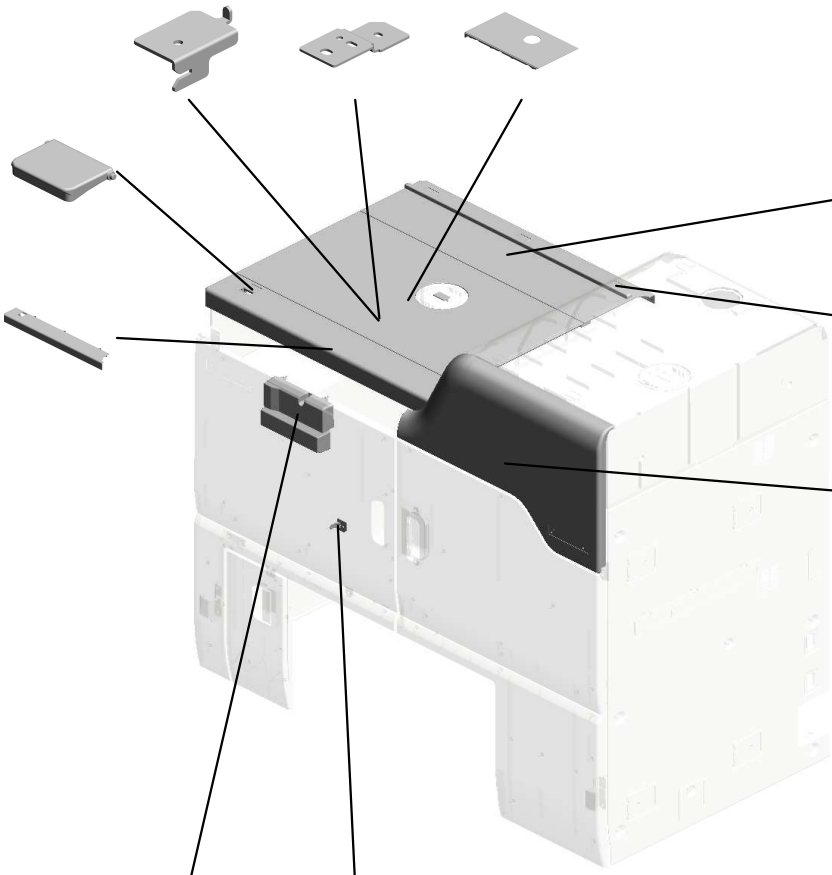
63.M0447744 (x4)
BRACKET:COVER:
UPPER MIDDLE:RE
AR

75.M0BH7745
COVER:UPPER MI
DDLE



58.D1945934
COVER:DCSW

67.M1957741
COVER:UPPER FR
ONT



65.M0447746
COVER:UPPER RE
AR

66.M0447747
(x4)
CAP:COVER:REAR

80.M0EB7960
[A]
DOOR:TONER SUP
PLY
202402-06 O/O

61.D1947761
(Pro C7200S/C7210
S/C7200SL/C7200/
C7200e/C7210):INN
ER COVER:5ST

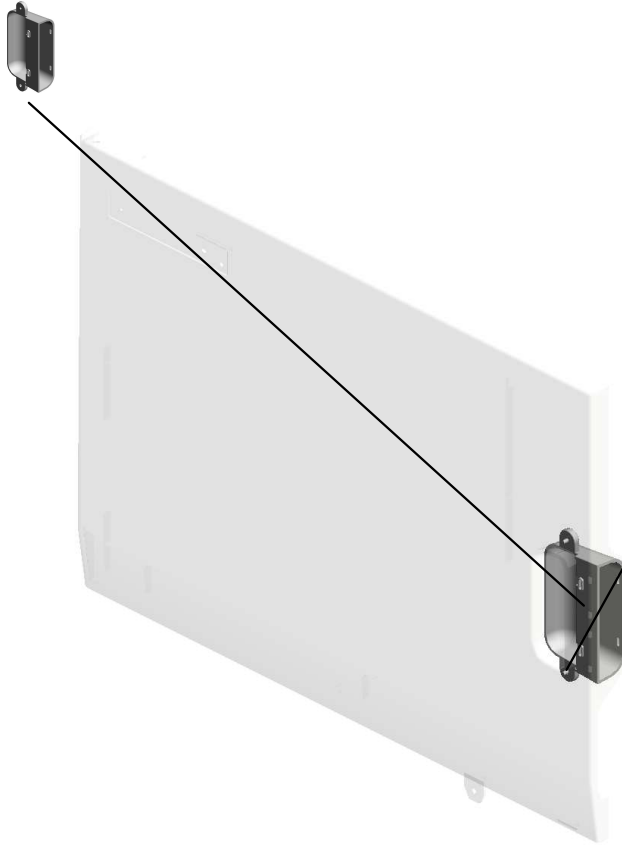
62.D7101333
(x2)
SHIELDING PLATE:
OPEN AND CLOSE:
SENSOR:DOOR



U001	U002	U003	U004	U005	U006	U007	U008	U009	U010	U011	U012	U013	U014	U015	U016	U017	U018	U019	U020
------	------	------	------	------	------	------	------	------	------	------	------	------	------	------	------	------	------	------	------

U001_S001
DOOR:FRONT LEFT:UPPER:ASS'Y

21.D0747782
GRIP:DOOR:FRON
T



4.0802532
(x2)
HEXAGON HEAD T
APPING SCREW:P
F:4X10



20.D0747780
DOOR:FRONT LEF
T:UPPER:ASSY

U001	U002	U003	U004	U005	U006	U007	U008	U009	U010	U011	U012	U013	U014	U015	U016	U017	U018	U019	U020
------	------	------	------	------	------	------	------	------	------	------	------	------	------	------	------	------	------	------	------

U001_S002
DOOR:COLLECTION BOTTLE:ASS'Y

4.08025324
HEXAGON HEAD TAPPING SCREW:PF.4X10

7.54472681
(x2)
SNAP RING

14.B2341293
LEVER - SAFETY SWITCH

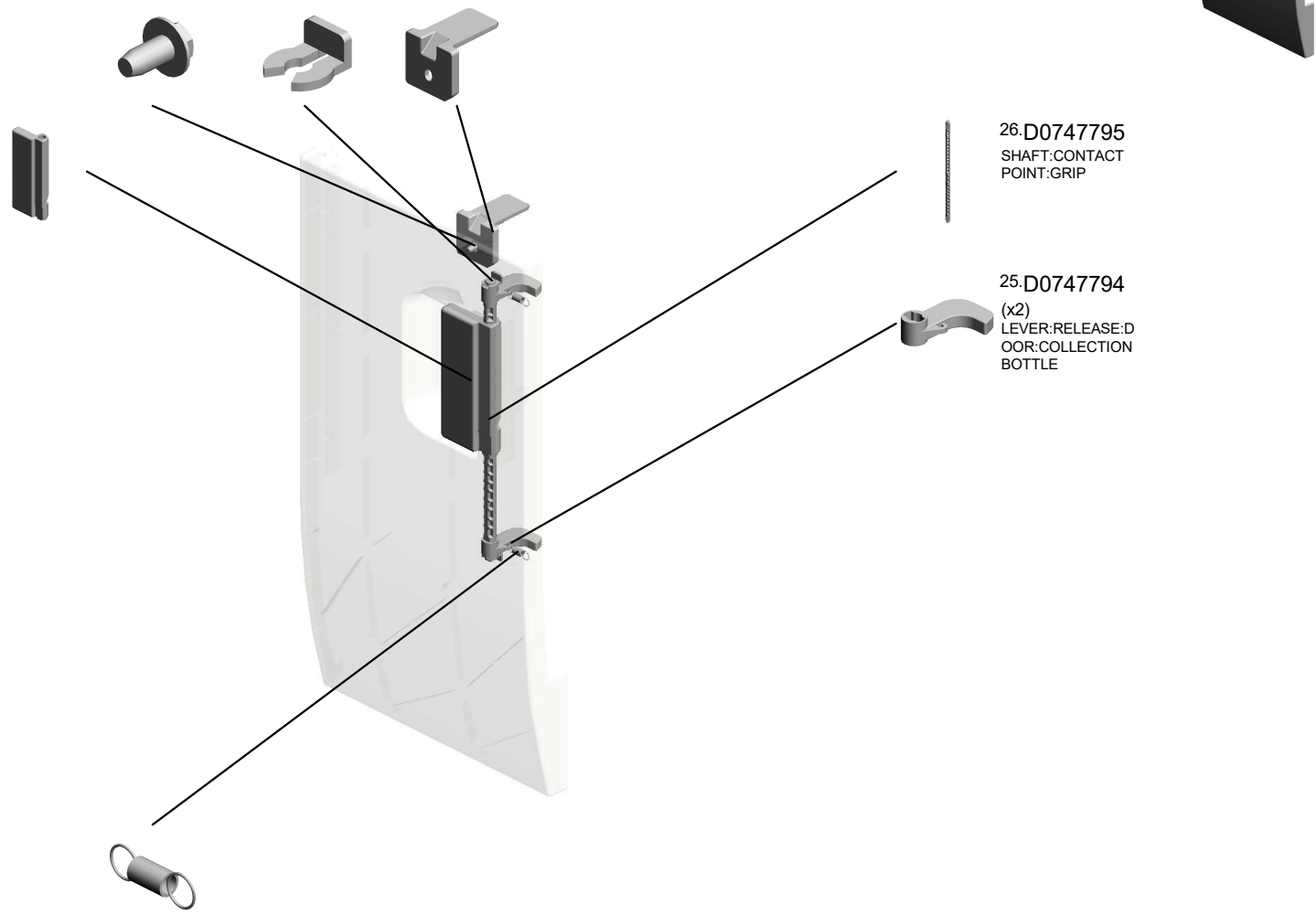
23.D0747791
DOOR:COLLECTION BOTTLE:ASS'Y

24.D0747793
GRIP:DOOR:COLLECTION BOTTLE

26.D0747795
SHAFT:CONTACT POINT:GRIP

25.D0747794
(x2)
LEVER:RELEASE:DOOR:COLLECTION BOTTLE

16.D0146458
(x2)
SPRING:BLADE:NO.1

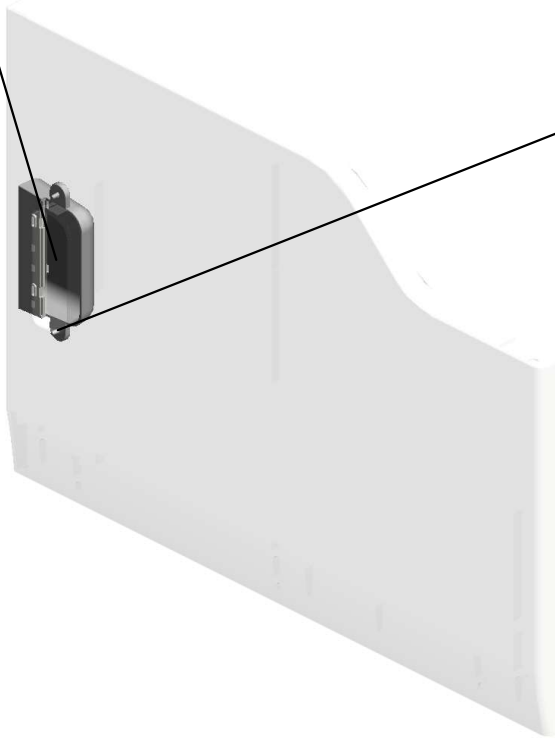


U001	U002	U003	U004	U005	U006	U007	U008	U009	U010	U011	U012	U013	U014	U015	U016	U017	U018	U019	U020
------	------	------	------	------	------	------	------	------	------	------	------	------	------	------	------	------	------	------	------

U001_S003
DOOR:FRONT RIGHT:UPPER:ASS'Y

21.D0747782
GRIP:DOOR:FRON
T

28.D0747810
DOOR:FRONT RIG
HT:UPPER:ASS'Y



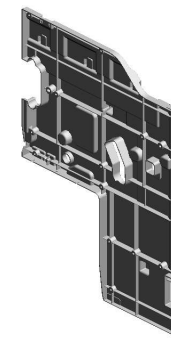
4.08025324
(x2)
HEXAGON HEAD T
APPING SCREW:P
F:4X10



U001	U002	U003	U004	U005	U006	U007	U008	U009	U010	U011	U012	U013	U014	U015	U016	U017	U018	U019	U020
------	------	------	------	------	------	------	------	------	------	------	------	------	------	------	------	------	------	------	------

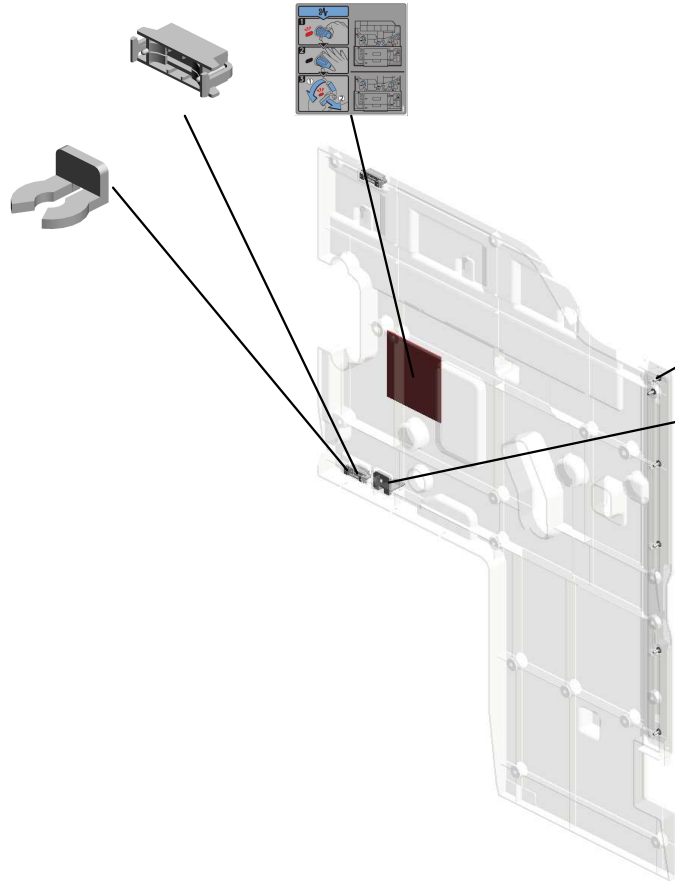
U001_S004
SUPPORTING PLATE:DOOR:FRONT RIGHT:ASS'Y

12.AG071013 40.D0A57687
(x2) DECAL:DOOR:FRO
MAGNET CATCH:2 NT:LED
4.5N:ASS'Y



48.D0A57816
SUPPORTING PLA
TE:DOOR:FRONT
RIGHT:ASS'Y

7.54472681
(x4)
SNAP RING



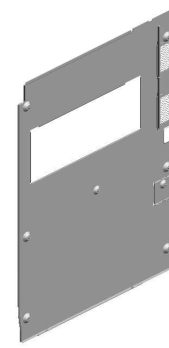
4.08025324
(x6)
HEXAGON HEAD T
APPING SCREW:P
F:4X10

14.B2341293
LEVER - SAFETY S
WITCH

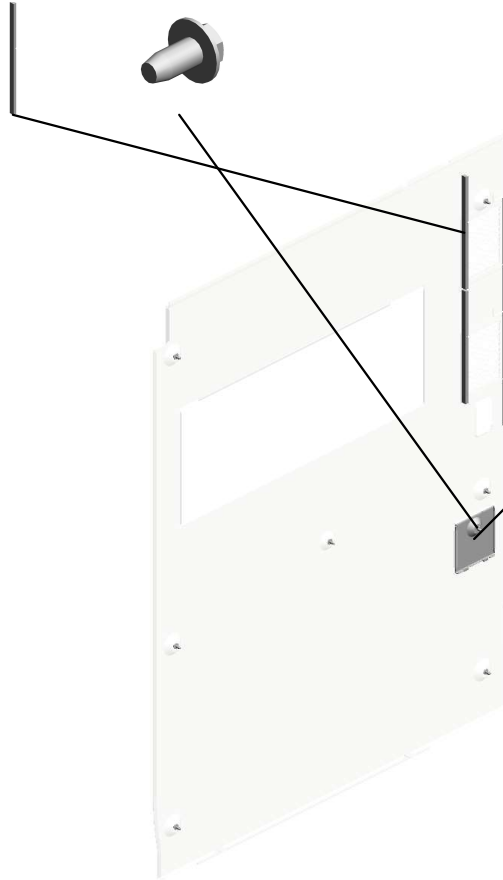
U001	U002	U003	U004	U005	U006	U007	U008	U009	U010	U011	U012	U013	U014	U015	U016	U017	U018	U019	U020
------	------	------	------	------	------	------	------	------	------	------	------	------	------	------	------	------	------	------	------

U001_S005
COVER:MAIN:LEFT:ASS'Y

60.D1947720 2.04514008N
(x4) (x8)
SEAL:EXTERIOR: TAPPING SCREW:4
XIT:GUIDE PLATE: X8
ENTRANCE



59.D1947716
COVER:MAIN:LEFT
:ASS'Y



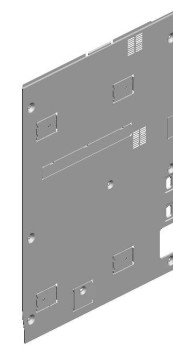
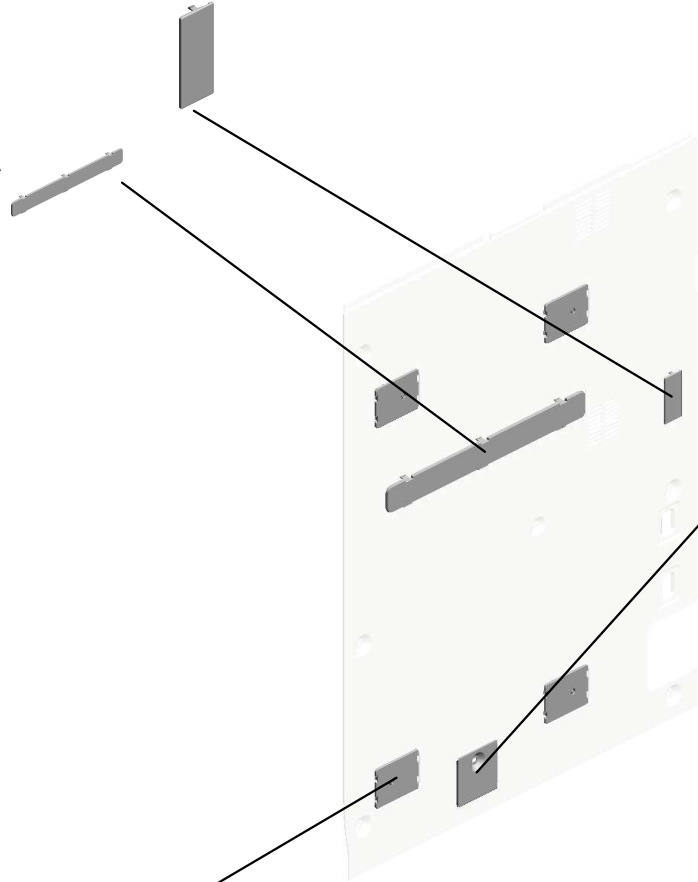
33.D0747831
COVER:CONNECT
OR:LARGE CAPACI
TY TRAY

U001	U002	U003	U004	U005	U006	U007	U008	U009	U010	U011	U012	U013	U014	U015	U016	U017	U018	U019	U020
------	------	------	------	------	------	------	------	------	------	------	------	------	------	------	------	------	------	------	------

U001_S006
COVER:MAIN:RIGHT:ASS'Y

30.D0747828
CAP:CONNECTOR

32.D0747830
COVER:LARGE CA
PACITY TRAY



74.D0A57806
COVER:MAIN:RIGH
T:ASS'Y

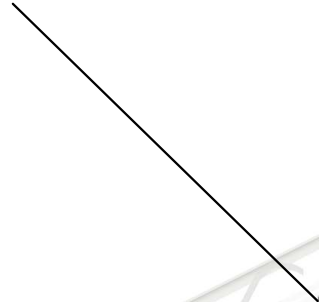
33.D0747831
COVER:CONNECT
OR:LARGE CAPACI
TY TRAY

31.D0747829
(x4)
CAP:JOINT:LARGE
CAPACITY TRAY

U001	U002	U003	U004	U005	U006	U007	U008	U009	U010	U011	U012	U013	U014	U015	U016	U017	U018	U019	U020
------	------	------	------	------	------	------	------	------	------	------	------	------	------	------	------	------	------	------	------

U001_S007
COVER:TONER SUPPLY:UPPER:ASS'Y

4.08025324
(x3)
HEXAGON HEAD TAPPING SCREW:PF:4X10



79.M0EB7873
[A]
COVER:TONER SUPPLY:UPPER:ASS'Y
202302-02 O/O



D0747753
[A]
COVER:TONER SUPPLY:UPPER:ASS'Y
202302-02 O/O

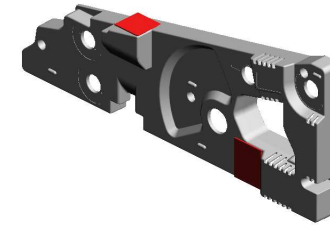
U001	U002	U003	U004	U005	U006	U007	U008	U009	U010	U011	U012	U013	U014	U015	U016	U017	U018	U019	U020
------	------	------	------	------	------	------	------	------	------	------	------	------	------	------	------	------	------	------	------

INNER COVER:PULL OUT:RIGHT:ASS'Y

43.D0A57690
DECAL:PULL OUT:
RIGHT:B6

76.D0A57722
DECAL:H-TEMP W
ARNING:PAPER FE
ED:INNER BACK
201911-06

42.D0A57689
DECAL:PULL OUT:
RIGHT:B4



49.D0A57841
INNER COVER:PUL
L OUT:RIGHT:ASS'
Y



9.AC020153
(x3)
LENS:LED:4



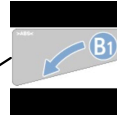
8.AC020152
LENS:LED:3



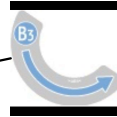
44.D0A57691
DECAL:PULL OUT:
RIGHT:Z2



55.D0A58889
DECAL:PULL OUT:
RIGHT:B1



41.D0A57688
DECAL:PULL OUT:
RIGHT:B3



77.D0A57723
DECAL:H-TEMP W
ARNING:PAPER FE
ED:FRONT RIGHT
201911-07

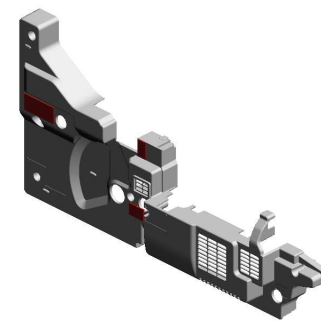
U001_S009

INNER COVER:PULL OUT:LEFT:ASS'Y

45.D0A57692
DECAL:PULL OUT:
LEFT:D1

51.D0A58860
DECAL:H-TEMP W
ARNING:EXIT

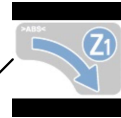
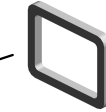
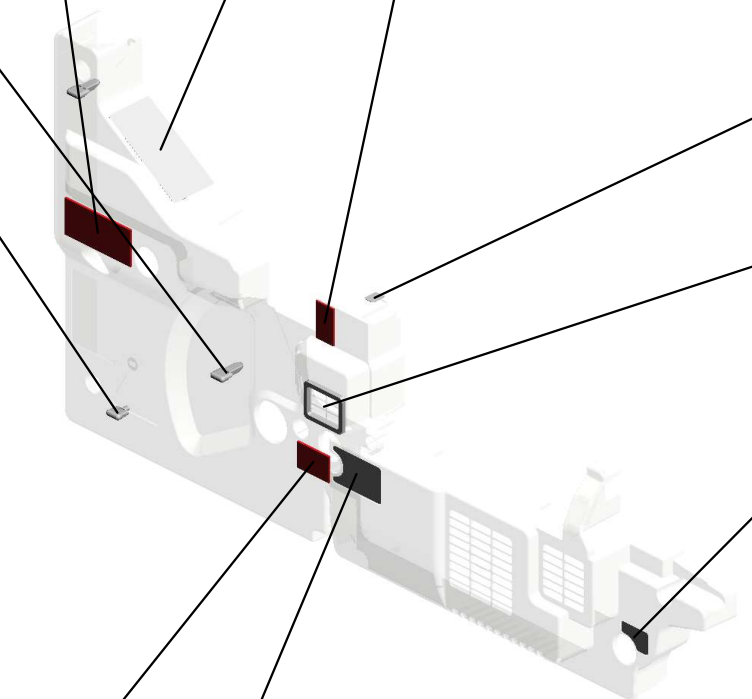
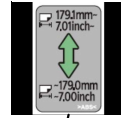
47.D0A57694
DECAL:ON-OFF:CO
OLING SUB-UNIT:E
NTRANCE:DRIVEN
ROLLER



50.D0A57842
INNER COVER:PUL
L OUT:LEFT:ASS'Y

8.AC020152
(x2)
LENS:LED:3

9.AC020153
LENS:LED:4



52.D0A58883
DECAL:PULL OUT:
LEFT:FUSING UNIT
:SET

38.D0A57093
SEAL:DUCT:CONT
ACT IMAGE SENSO
R:VACUUM:FRONT

53.D0A58885
DECAL:PULL OUT:
LEFT:Z1



46.D0A57693
DECAL:PULL OUT:
LEFT:D7

54.D0A58887
DECAL:PULL OUT:
LEFT:FUSING UNIT
:TCRU

U001	U002	U003	U004	U005	U006	U007	U008	U009	U010	U011	U012	U013	U014	U015	U016	U017	U018	U019	U020
------	------	------	------	------	------	------	------	------	------	------	------	------	------	------	------	------	------	------	------

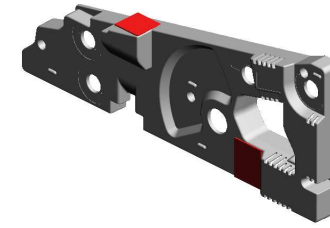
U001_S010

INNER COVER:PULL OUT:RIGHT:ASS'Y

43.D0A57690
DECAL:PULL OUT:
RIGHT:B6

76.D0A57722
DECAL:H-TEMP W
ARNING:PAPER FE
ED:INNER BACK
201911-06

42.D0A57689
DECAL:PULL OUT:
RIGHT:B4



49.D0A57841
INNER COVER:PUL
L OUT:RIGHT:ASS'
Y



9.AC020153
(x3)
LENS:LED:4



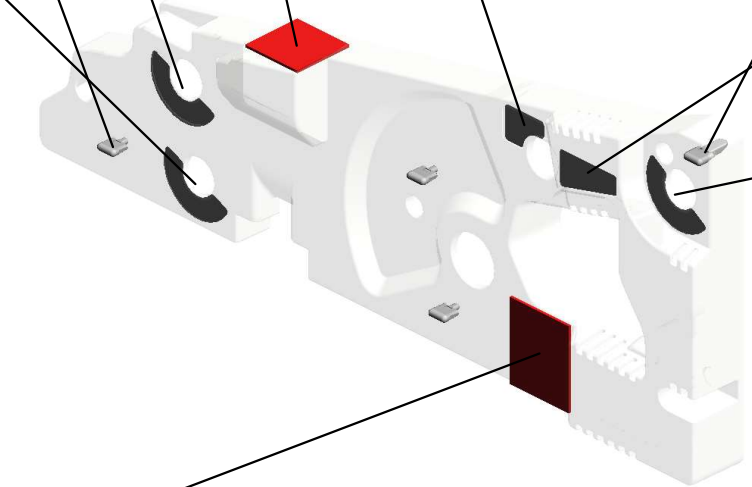
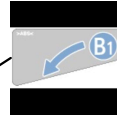
8.AC020152
LENS:LED:3



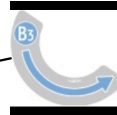
44.D0A57691
DECAL:PULL OUT:
RIGHT:Z2



55.D0A58889
DECAL:PULL OUT:
RIGHT:B1



41.D0A57688
DECAL:PULL OUT:
RIGHT:B3

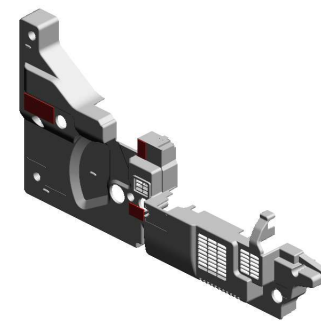


77.D0A57723
DECAL:H-TEMP W
ARNING:PAPER FE
ED:FRONT RIGHT
201911-07

U001	U002	U003	U004	U005	U006	U007	U008	U009	U010	U011	U012	U013	U014	U015	U016	U017	U018	U019	U020
------	------	------	------	------	------	------	------	------	------	------	------	------	------	------	------	------	------	------	------

U001_S011
INNER COVER:PULL OUT:LEFT:ASS'Y

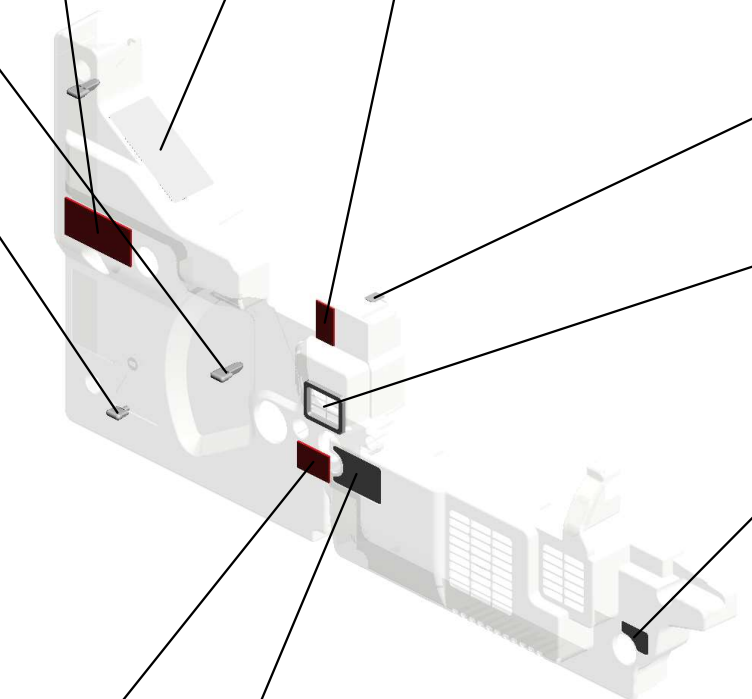
- 45.D0A57692 DECAL:PULL OUT: LEFT:D1
- 51.D0A58860 DECAL:H-TEMP W ARNING:EXIT
- 47.D0A57694 DECAL:ON-OFF:CO OLING SUB-UNIT:EN TRANCE:DRIVEN ROLLER



50.D0A57842
INNER COVER:PUL L OUT:LEFT:ASS'Y

8.AC020152
(x2)
LENS:LED:3

9.AC020153
LENS:LED:4



52.D0A58883
DECAL:PULL OUT: LEFT:FUSING UNIT :SET

38.D0A57093
SEAL:DUCT:CONT ACT IMAGE SENSO R:VACUUM:FRONT

53.D0A58885
DECAL:PULL OUT: LEFT:Z1



46.D0A57693
DECAL:PULL OUT: LEFT:D7

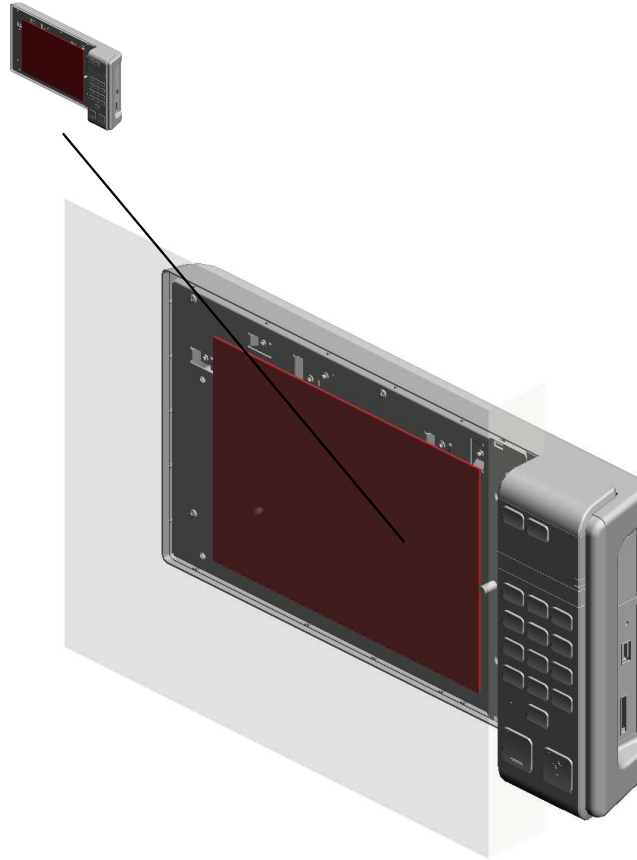


54.D0A58887
DECAL:PULL OUT: LEFT:FUSING UNIT :TCRU

U001	U002	U003	U004	U005	U006	U007	U008	U009	U010	U011	U012	U013	U014	U015	U016	U017	U018	U019	U020
------	------	------	------	------	------	------	------	------	------	------	------	------	------	------	------	------	------	------	------

U002.OPERATION

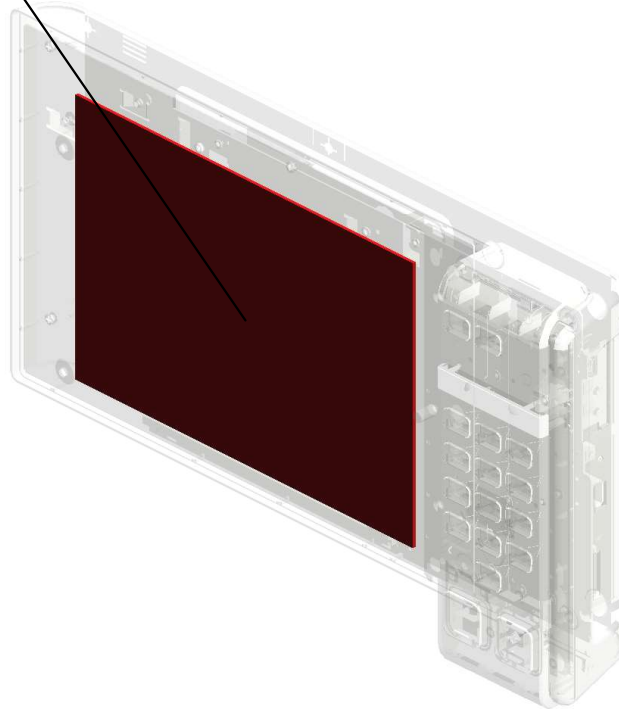
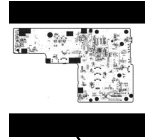
U002 S001
M0BJ5728
OPERATION SUB-UNIT:KEY_
BOX:ASSY



U001	U002	U003	U004	U005	U006	U007	U008	U009	U010	U011	U012	U013	U014	U015	U016	U017	U018	U019	U020
------	-------------	------	------	------	------	------	------	------	------	------	------	------	------	------	------	------	------	------	------

U002_S001.OPERATION SUB-UNIT:KEY_BOX:ASS'Y

U002 S001 S001
M0BJ5732
PCB:MAIN:COM:ASS'Y

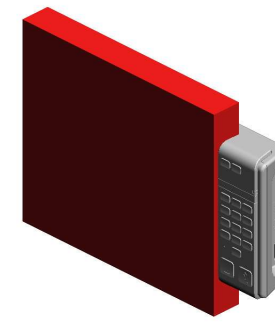


U001	U002	U003	U004	U005	U006	U007	U008	U009	U010	U011	U012	U013	U014	U015	U016	U017	U018	U019	U020
------	------	------	------	------	------	------	------	------	------	------	------	------	------	------	------	------	------	------	------

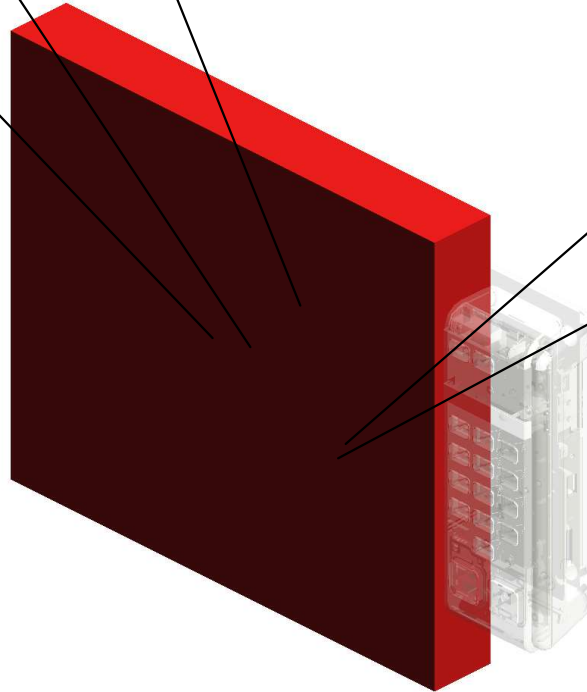
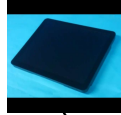
U002 OPERATION

16.M0BJ5780
DISPLSY:TM170-RI
X01

12.D0A56840
SPRING PLATE:OP
U-DISPLAY



5.03604016N
SCREW:M4X16



4.03604008N
(x7)
SCREW - M4X8



8.11050534
(x3)
CLAMP



10.16072247
FERRITE CORE:K3
NF-55(N)BK0



11.D0A56731
COVER:DISPLSY:R
EAR LOWER

2.03530040N (x 6)
SCREW - M3X4

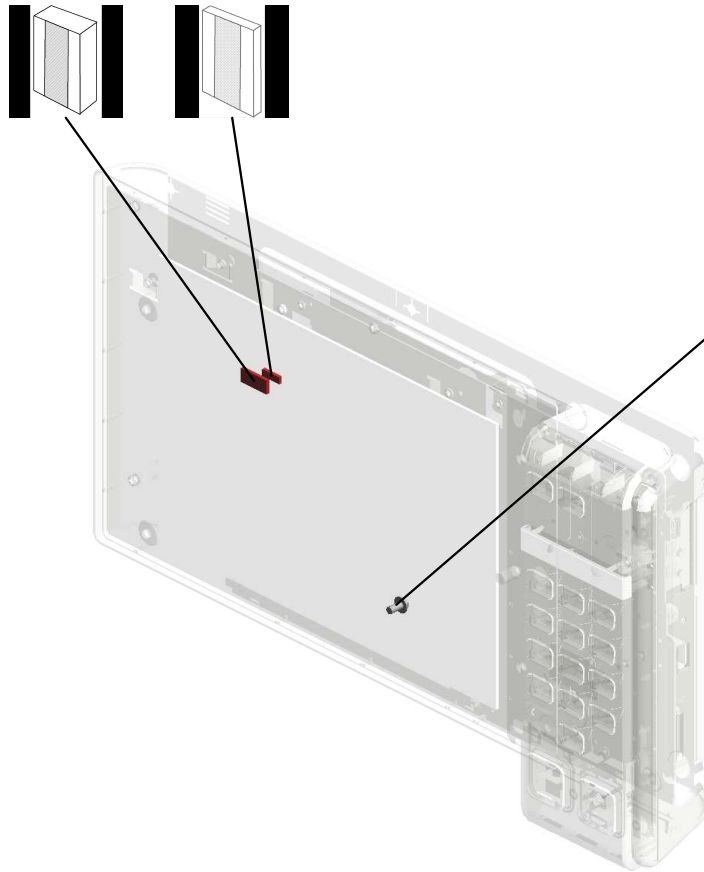
3.03603006N (x 2)
SCREW - M3X6

4.03604008N (x 2)
SCREW - M4X8

5.03604016N (x 7)
SCREW:M4X16

U002_S001
OPERATION SUB-UNIT:KEY_BOX:ASS'Y

14.D0A56843 13.D0A56842
GASKET:H5.5:W8:L 17 GASKET:H1:W5:L1 3



20.03603005N
SCREW - M3X5



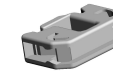
6.11050508
(x2)
HARNESS CLAMP -
LWS-0711



7.11050511
HARNESS CLAMP -
LWS-0306ZC



8.11050534
(x2)
CLAMP



9.11050692
CLAMP:LES-0503

20.03603005N(x 2)
SCREW - M3X5

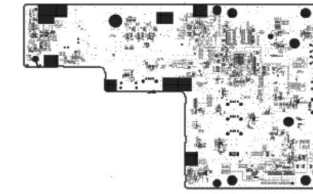


22.M0BJ5728
[A]
OPERATION SUB-U
NIT:KEY_BOX:ASS'
Y
201812-05 O/O



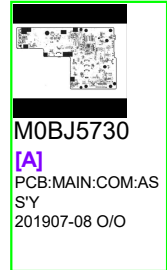
M0BJ5723
[A]
OPERATION SUB-U
NIT:KEY_BOX:ASS'
Y
201812-05 O/O

U002_S001_S001
PCB:MAIN:COM:ASS'Y



24.M0BJ5732
[A]
PCB:MAIN:COM:AS
S'Y
201907-08 O/O

1.03520040N(x 1)
SCREW M2X4



M0BJ5730
[A]
PCB:MAIN:COM:AS
S'Y
201907-08 O/O

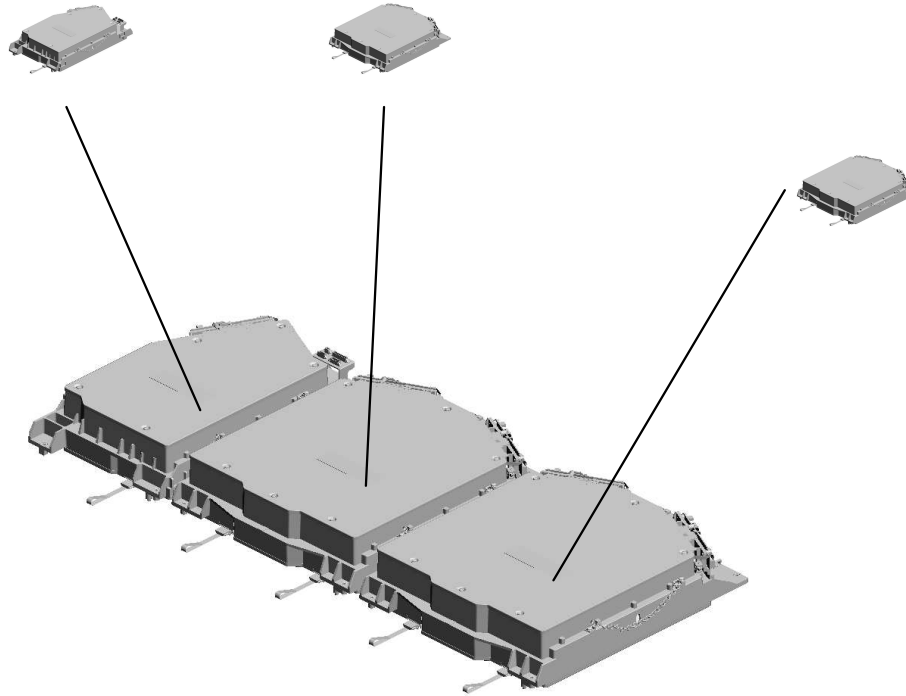
U001	U002	U003	U004	U005	U006	U007	U008	U009	U010	U011	U012	U013	U014	U015	U016	U017	U018	U019	U020
------	------	------	------	------	------	------	------	------	------	------	------	------	------	------	------	------	------	------	------

U003.LASER UNIT

U003 S001
D0A51806
(Pro C7200SX/C7210SX/C7200X/C7210X):OPTICAL WRITING UNIT:SST:ASSY

U003 S002
D0A51801
OPTICAL WRITING UNIT:4ST:ASSY

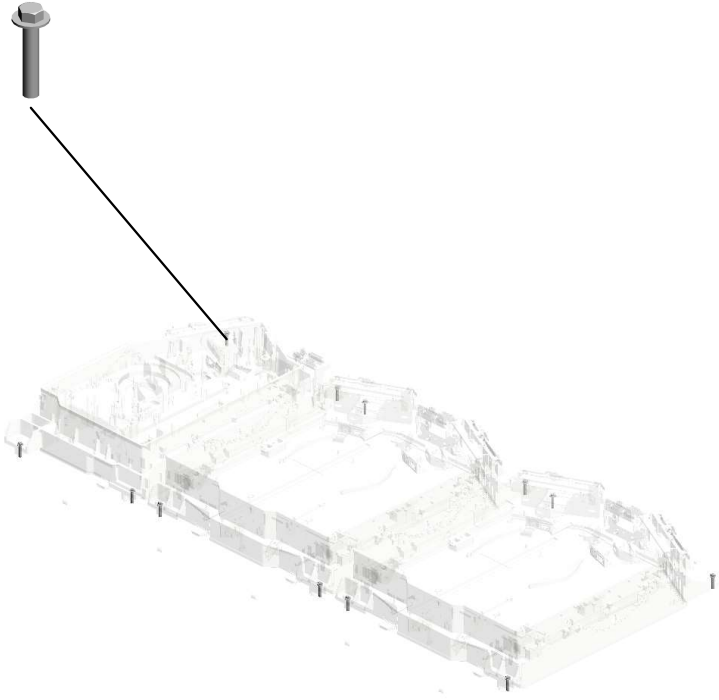
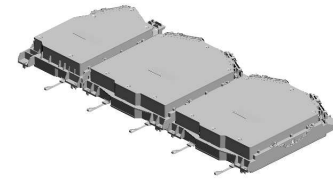
U003 S003
D0A51801
OPTICAL WRITING UNIT:4ST:ASSY



U001	U002	U003	U004	U005	U006	U007	U008	U009	U010	U011	U012	U013	U014	U015	U016	U017	U018	U019	U020
------	------	------	------	------	------	------	------	------	------	------	------	------	------	------	------	------	------	------	------

U003
LASER UNIT

3-03604020N
(x12)
SCREW:M4X20

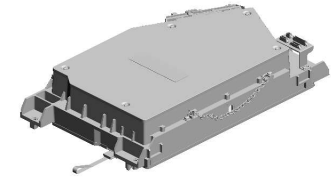


U001	U002	U003	U004	U005	U006	U007	U008	U009	U010	U011	U012	U013	U014	U015	U016	U017	U018	U019	U020
------	------	------	------	------	------	------	------	------	------	------	------	------	------	------	------	------	------	------	------

U003_S001
 (Pro C7200SX/C7210SX/C7200X/C7210X):OPTICAL WRITING UNIT:SST:ASS'Y

2.03540080N (x7)
 SCREW:M4X8

1.03530060N (x41)
 BIND SCREW - M3
 X6

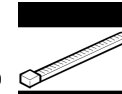


11.D0A51806
 (Pro C7200SX/C7210SX/C7200X/C7210X):OPTICAL WRITING UNIT:SST:ASS'Y

8.11050763
 (x4)
 CLAMP:LWS-1211A



6.11050724
 CLAMPS:WES-1210

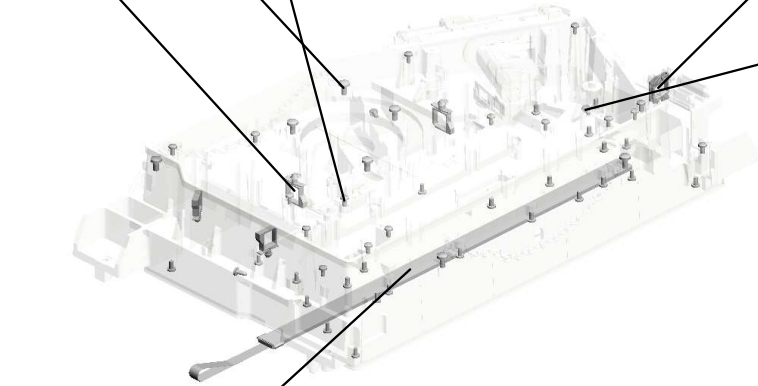


5.11050042
 (x13)
 WIRE BAND

4.04523008N
 (x2)
 TAPPING SCREW -
 M3X8



1.03530060N(x 3)
 BIND SCREW - M3X6

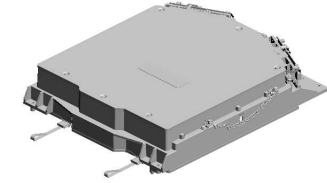


9.D0742020
 SHIELD GLASS:AS
 S'Y



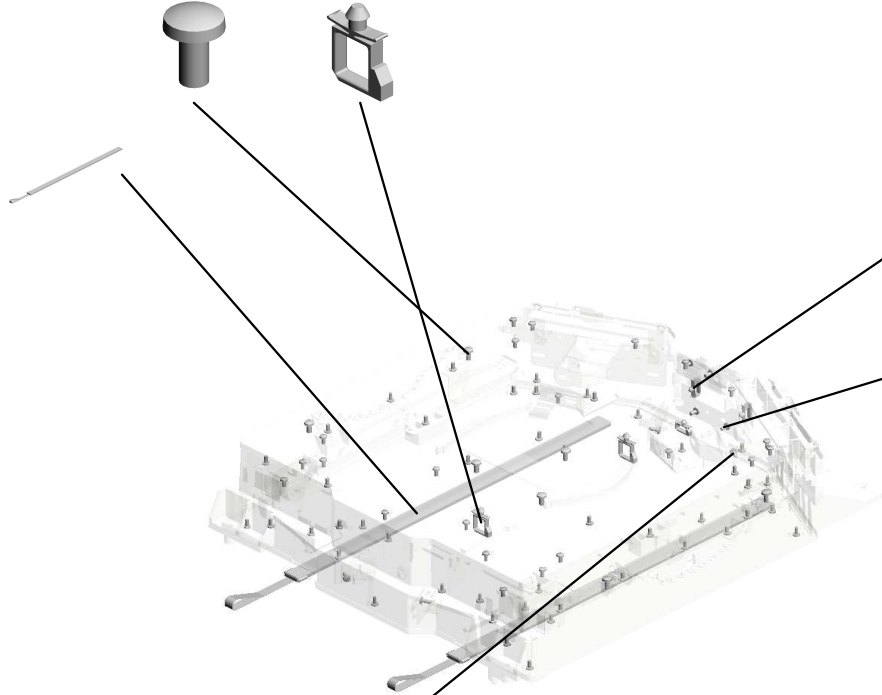
U003_S002
OPTICAL WRITING UNIT:4ST:ASS'Y

2.03540080N 8.11050763
(x7) (x2)
SCREW:M4X8 CLAMP:LWS-1211A

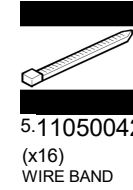


10.D0A51801
OPTICAL WRITING
UNIT:4ST:ASSY

9.D0742020
(x2)
SHIELD GLASS:AS
SY



7.11050760
(x5)
CLAMP:LWSM-051
1A



5.11050042
(x16)
WIRE BAND

1.03530060N
(x72)
BIND SCREW - M3
X6

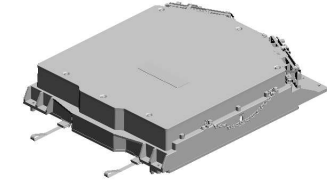
1.03530060N(x 2)
BIND SCREW - M3X6

4.04523008N
(x4)
TAPPING SCREW -
M3X8

U001	U002	U003	U004	U005	U006	U007	U008	U009	U010	U011	U012	U013	U014	U015	U016	U017	U018	U019	U020
------	------	------	------	------	------	------	------	------	------	------	------	------	------	------	------	------	------	------	------

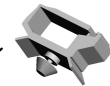
U003_S003
OPTICAL WRITING UNIT:4ST:ASS'Y

2.03540080N 8.11050763
(x7) (x2)
SCREW:M4X8 CLAMP:LWS-1211A

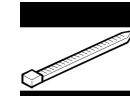


10.D0A51801
OPTICAL WRITING
UNIT:4ST:ASSY

9.D0742020
(x2)
SHIELD GLASS:AS
SY



7.11050760
(x5)
CLAMP:LWSM-051
1A



5.11050042
(x16)
WIRE BAND



1.03530060N
(x73)
BIND SCREW - M3
X6

1.03530060N(x 1)
BIND SCREW - M3X6

4.04523008N
(x4)
TAPPING SCREW -
M3X8

U001	U002	U003	U004	U005	U006	U007	U008	U009	U010	U011	U012	U013	U014	U015	U016	U017	U018	U019	U020
------	------	------	------	------	------	------	------	------	------	------	------	------	------	------	------	------	------	------	------

U004.PAPER FEED

U004 S001
D0A57352
(EU/AA/TWN/KOR):(CHN|Pro
C7200/C7210/C7200X/C7210X
J):TANDEM LCT:RIGHT:ASS'Y

U004 S003
D0A57678
HEAT SINK:HEATER:LOWER:
ASS'Y

U004 S011
D0A57450
PAPER FEED UNIT:PAPER B
ANK:ASS'Y

U004 S002
D0BX7556
(EU/AA/TWN/KOR):(CHN|Pro
C7200/C7210/C7200X/C7210X
J):TANDEM LCT:LEFT:ASS'Y

U004 S009
D0741387
SHAFT:JOINT:PAPER FEED
UNIT:ASS'Y

U004 S004
D0A57679
HEAT SINK:HEATER:UPPER:
ASS'Y

U004 S006
D3553810
BRACKET:DETENT:RIGHT:AS
S'Y

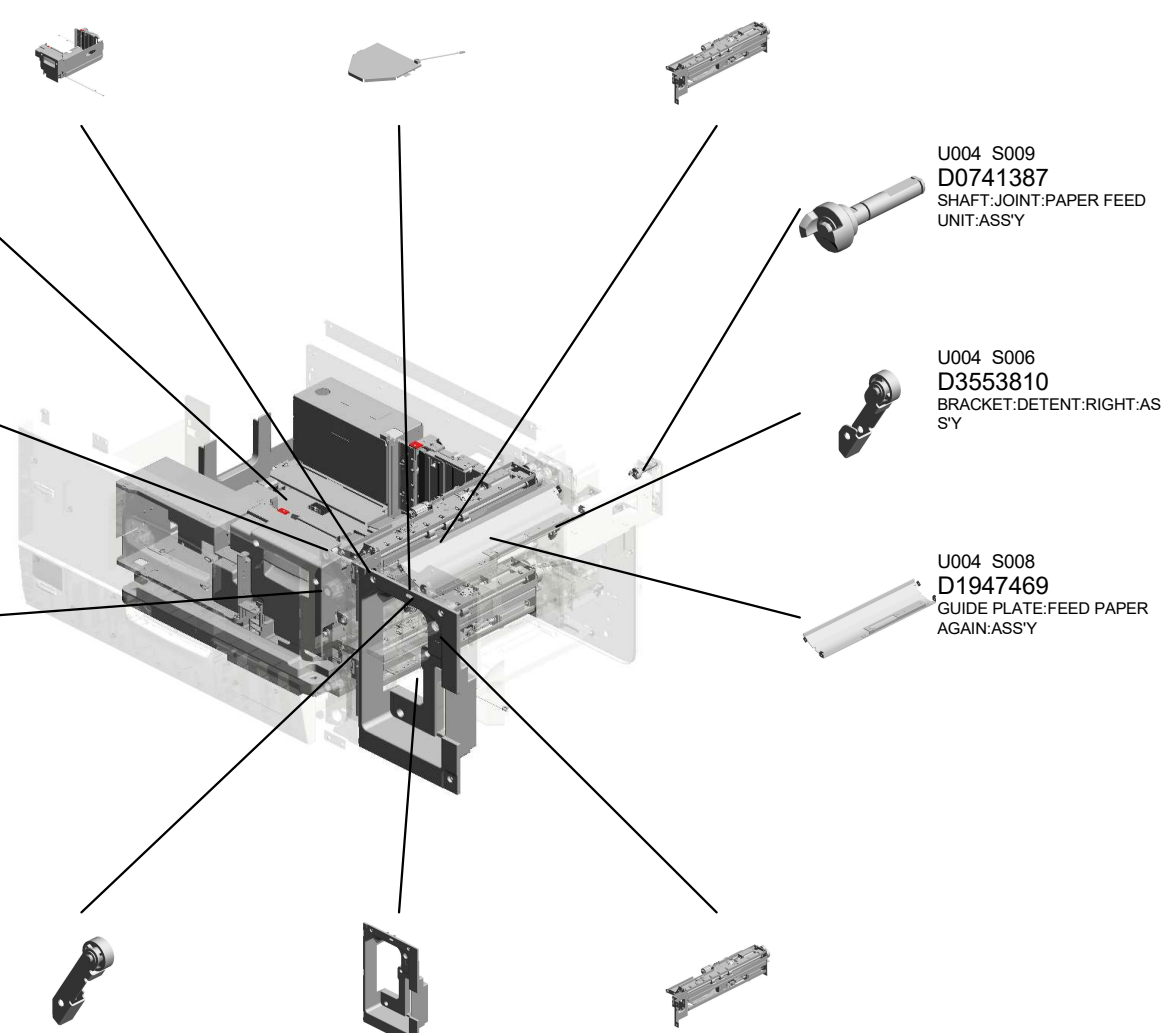
U004 S005
D0BX7631
PAPER TRAY:UNIVERSAL:SU
B-ASS'Y

U004 S008
D1947469
GUIDE PLATE:FEED PAPER
AGAIN:ASS'Y

U004 S007
D3553840
BRACKET:DETENT:ASS'Y

U004 S012
D0A57471
INNER COVER:VERTICAL TR
ANSPORT:RIGHT:ASS'Y

U004 S010
D0A57450
PAPER FEED UNIT:PAPER B
ANK:ASS'Y

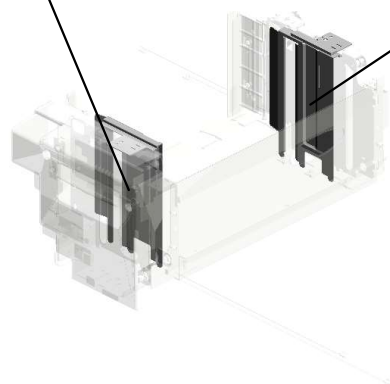
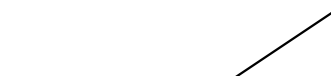


U001	U002	U003	U004	U005	U006	U007	U008	U009	U010	U011	U012	U013	U014	U015	U016	U017	U018	U019	U020
------	------	------	------	------	------	------	------	------	------	------	------	------	------	------	------	------	------	------	------

U004 S001 S01
B2346686
SIDE FENCE - RIGHT FRONT



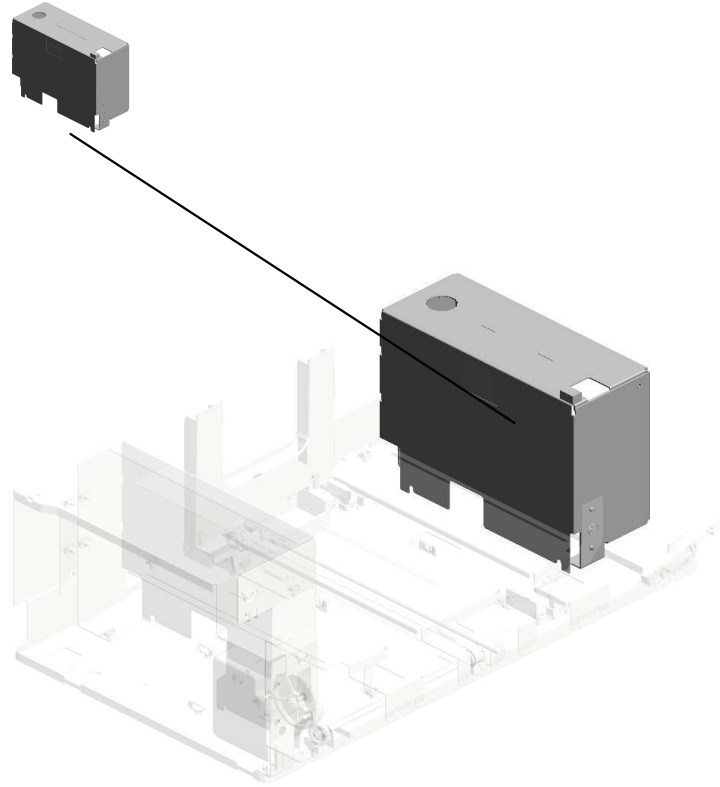
U004 S001 S02
B2346691
SIDE FENCE:TANDEM LCT:RI
GHT:ASSY



U001	U002	U003	U004	U005	U006	U007	U008	U009	U010	U011	U012	U013	U014	U015	U016	U017	U018	U019	U020
------	------	------	------	------	------	------	------	------	------	------	------	------	------	------	------	------	------	------	------

U004_S002.(EU/AA/TWN/KOR):(CHN[Pro C7200/C7210/C7200X/C7210X]):TANDEM LCT:L

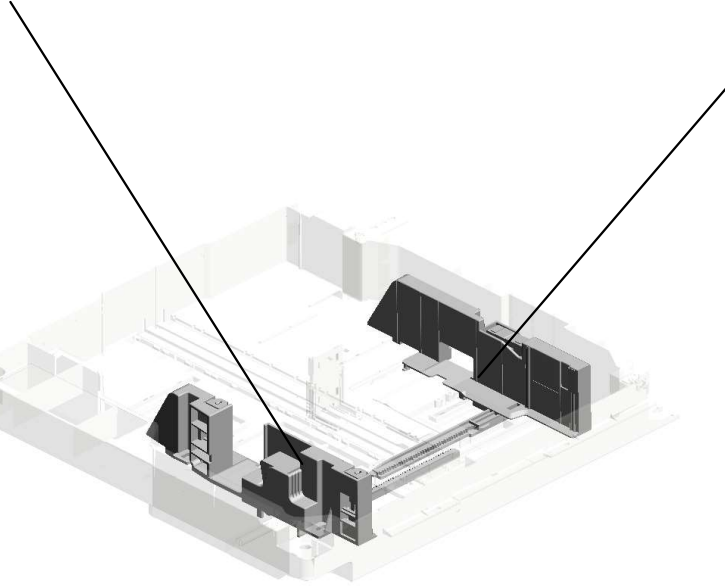
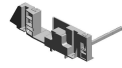
U004 S002 S001
D0A57144
SIDE FENCE:TANDEM LCT:L
EFT REAR:ASS'Y



U001	U002	U003	U004	U005	U006	U007	U008	U009	U010	U011	U012	U013	U014	U015	U016	U017	U018	U019	U020
------	------	------	-------------	------	------	------	------	------	------	------	------	------	------	------	------	------	------	------	------

U004_S005.PAPER TRAY:UNIVERSAL:SUB-ASS'Y

U004 S005 S002
D1316777
SIDE FENCE:FRONT:ASS'Y

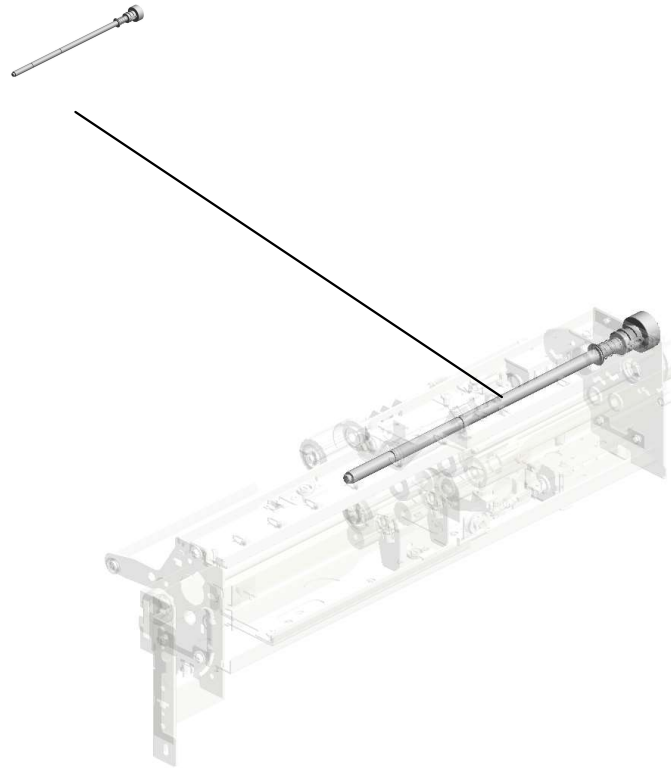


U004 S005 S001
D1316775
SIDE FENCE:REAR:ASS'Y

U001	U002	U003	U004	U005	U006	U007	U008	U009	U010	U011	U012	U013	U014	U015	U016	U017	U018	U019	U020
------	------	------	-------------	------	------	------	------	------	------	------	------	------	------	------	------	------	------	------	------

U004_S011.PAPER FEED UNIT:PAPER BANK:ASS'Y

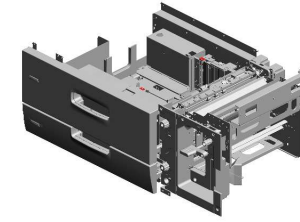
U004 S011 S001
D0747527
SHAFT:FEED:ASS'Y



U001	U002	U003	U004	U005	U006	U007	U008	U009	U010	U011	U012	U013	U014	U015	U016	U017	U018	U019	U020
------	------	------	------	------	------	------	------	------	------	------	------	------	------	------	------	------	------	------	------

U004 PAPER FEED

15.04514006N (x14) TAPPING SCREW - 4X6
 9.03604008N (x4) SCREW - M4X8
 5.03540040N (x2) SCREW-M4X4
 29.07200040E (x11) RETAINING RING - M4
 16.04514008N (x107) TAPPING SCREW:4 X8



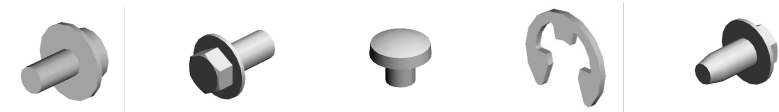
12.04504008N (x32) TAPPING SCREW - M4X8

24.04544008Q (x19) TAPPING SCREW - M4X8

8.03604006N (x6) SCREW - M4X6

14.04513008N (x4) TAPPING SCREW - M3X8

4.03530080N SCREW:M3X8



27.07080080N WASHER-DIA8

50.11050761 (x2) CLAMP:LWS-0511A

19.04524010N (x3) BINDING SELF-TAPPING SCREW:4X10

4.03530080N (x 1) SCREW:M3X8
 14.04513008N (x 1) TAPPING SCREW - M3X8
 16.04514008N (x 3) TAPPING SCREW:4X8
 29.07200040E (x 7) RETAINING RING - M4

33.07413708 (x4) BALL BEARING - 8 X12X3.5MM

31.07200060E (x24) RETAINING RING - M6

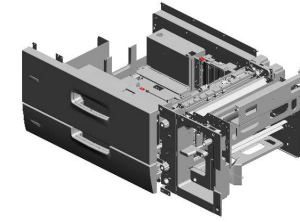
7.03603006N (x59) SCREW - M3X6

28.07200030E (x3) RETAINING RING - M3
 23.04544006Q (x2) TAPPING SCREW:4 X6
 6.03540060N (x11) SCREW-M4X6
 21.04534008N (x2) BINDING SELF TAPPING SCREW:4X8
 17.04514010N (x8) TAPPING SCREW:4 X10

U001	U002	U003	U004	U005	U006	U007	U008	U009	U010	U011	U012	U013	U014	U015	U016	U017	U018	U019	U020
------	------	------	------	------	------	------	------	------	------	------	------	------	------	------	------	------	------	------	------

U004 PAPER FEED

83.AA063268 (x2) CONNECTOR SPRING
 36.08046123 HEXAGONAL BOLT :W/WASHER:M3X8
 46.11050692 (x2) CLAMP:LES-0503
 59.67542866 (x2) ROLLER - POSITIONING GUIDE
 47.11050724 CLAMPS:WES-1210



53.12042570 (x2) ROCKER SWITCH: SDDJE13200



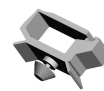
38.08050089 (x10) RETAINING RING - M4



52.11050763 (x2) CLAMP:LWS-1211A



49.11050760 (x13) CLAMP:LWSM-051A



37.08050088 (x3) RETAINING RING - M6



35.08010237 (x4) HEXAGONAL BOLT :DOUBLE SCREW: M4X12



56.52152621 SNAP RING - M6



51.11050762 (x4) CLAMP:LWS-0711A



40.09514006N (x12) SCREW:POLISHED ROUND:M4X6



57.54472681 (x4) SNAP RING



48.11050758 (x27) CLAMP:LWSM-0306A



45.11050551 (x3) CLAMP:LES-0505



84.AA063471 (x2) COMPRESSION SPRING:PRESSURE:8N



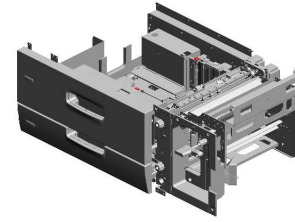
34.07423808 (x12) BALL BEARING - 8 X16X5



44.11050534 (x2) CLAMP



U004 PAPER FEED



- 106.AA148777 SHAFT:ARM:LINK
- 98.AA143585 SHAFT:MISFEED R EMOVAL:UPPER
- 102.AA143797 (x2) CONNECTOR GUID E PIN
- 88.AA080265 (x3) BUSHING:6X8X5
- 94.AA140912 SCREW - 8X14X2.8

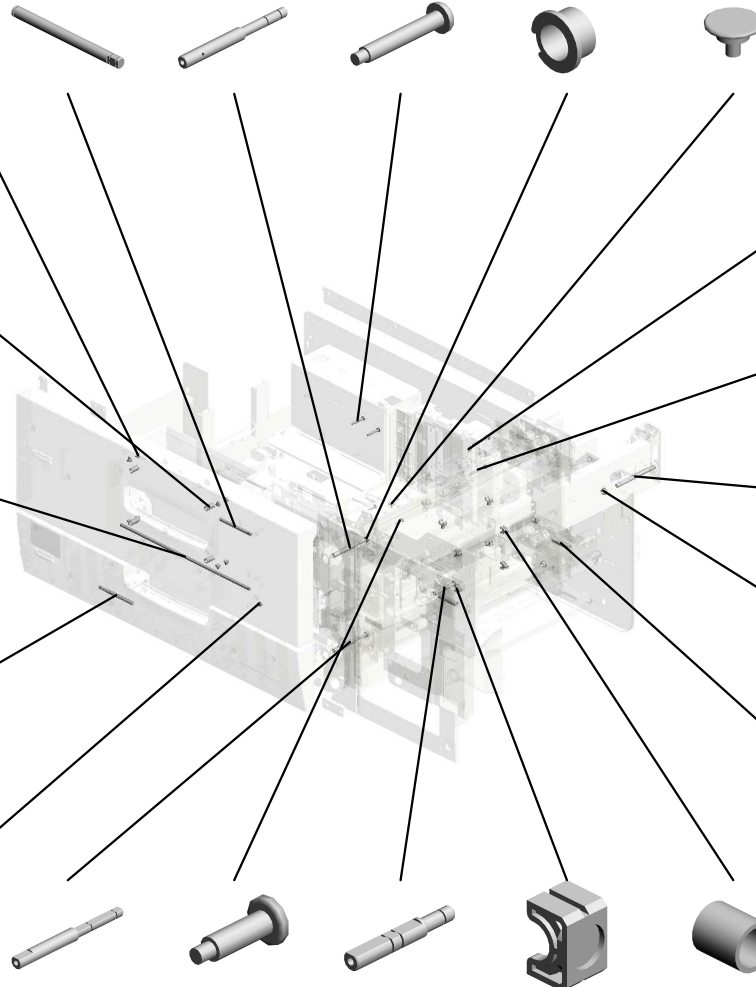
103.AA143872
(x8)
SCREW:DIA6:M4

87.AA063695
(x4)
COMPRESSION SP
RING:GRIP

95.AA140937
SHAFT:GRIP:LOWE
R

104.AA143883
SHAFT:STOPPER:P
APER TRAY

101.AA143718
STEPPED SCREW
- M4



92.AA132203
SPACER - 6MM

96.AA143550
(x2)
SCREW:DIA4:M3

105.AA148776
SHAFT:DRIVE

89.AA080346
(x2)
BUSHING:FLANGE
TYPE:DIA6

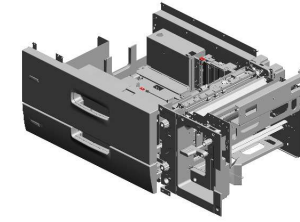
86.AA063694
(x2)
COMPRESSION SP
RING:HANDLE

- 99.AA143586 SHAFT:MISFEED R EMOVAL:LOWER
- 97.AA143569 (x2) SCREW
- 100.AA143587 SHAFT:MISFEED R EMOVAL:VERTICA L TRANSPORT
- 91.AA084059 (x8) BALL BEARING HO LDER
- 85.AA063693 (x6) COMPRESSION SP RING:PRESSURE:D RIVEN ROLLER

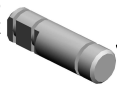
U001	U002	U003	U004	U005	U006	U007	U008	U009	U010	U011	U012	U013	U014	U015	U016	U017	U018	U019	U020
------	------	------	------	------	------	------	------	------	------	------	------	------	------	------	------	------	------	------	------

U004 PAPER FEED

147.B0656136 (x2) TRAY LOCK ARM
 118.AB017726 GEAR/TIMING PULLEY - 20Z/20T
 142.AW500010 PUSH SWITCH
 143.AW500045 PUSH SWITCH
 154.B0656769 LOCK ARM



107.AA148778
SHAFT:ARM:PLATE



138.AG050101 (x2)
KNOB - MISFEED REMOVAL



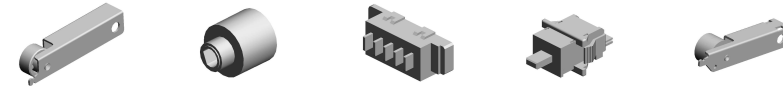
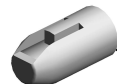
152.B0656591
PAPER TRAY HOLDER BASE



125.AC020153 (x2)
LENS:LED:4



146.B0042995 (x2)
CAP - POSITIONING



128.AF020741
TRANSPORT ROLLER:GRIP:DRIVE



110.AA161172
CUSHION:GUIDE PLATE



131.AF020786
TRANSPORT ROLLER:EXIT:PAPER BANK:DRIVE



145.AX040276 (x4)
STEPPER MOTOR:MM56:TRANSPORT



111.AA161180 (x4)
CUSHION:DC STEPPER MOTOR

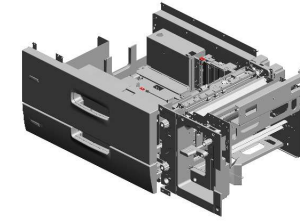


137.AG050100 KNOB - TRANSPORT ROLLER
 117.AB017725 (x2) GEAR/TIMING PULLEY - 20Z/20T
 127.AF020740 (x2) TRANSPORT ROLLER:VERTICAL TRANSPORT:DRIVE
 133.AF022165 (x3) TRANSPORT ROLLER - DRIVEN
 144.AX040199 DC MOTOR:RISING TRAY:ASS'Y



U004 PAPER FEED

213.B2476754 LOCK SPRING - SMALL
 184.B2346141 POSITIONING SLEEVE - INNER BACK
 166.B1326726 BRACKET:ARM:ASSY
 168.B1326764 BRACKET:CONNECTOR:RIGHT
 167.B1326738 BRACKET:LIFT MOTOR:TANDEM LCT



212.B2476753 LOCK SPRING - LARGE



183.B2346138 RAIL - TANDEM LCT



177.B1327591 RAIL:PAPER TRAY:ASSY



192.B2346495 GUIDE:FRONT:PAPER TRAY



185.B2346188 SLIDE SLEEVE POSITIONING



193.B2346497 GUIDE:REAR:PAPER TRAY



182.B2346120 BRACKET:POSITIONING:PAPER TRAY



201.B2346533 (x2) TIMING BELT - S2M 152



198.B2346530 (x2) BRACKET



196.B2346508 (x4) TENSION SPRING



199.B2346531 (x2) TIGHTENER BRACKET



195.B2346506 (x4) TIMING PULLEY - 30T



203.B2346542 (x2) GRIP DRIVE SHAFT



197.B2346514 (x2) TIMING BELT - S2M 126

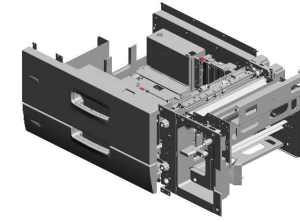


200.B2346532 (x2) TIGHTENER BRACKET



U004 PAPER FEED

223.BA146065 SHAFT:STOPPER:TANDEM LCT
 233.D0590761 SPRING:TANDEM TRAY:LOCK
 243.D0596591 SPRING:PAPER TRAY:LOCK
 219.B7001802 TIMING BELT:B40S 2M134
 238.D0596172 PAPER TRAY STOPPER



222.B8343312
(x4)
COLLAR

237.D0596170
BRACKET:SLIDE RAIL:PAPER TRAY:2:ASS'Y

252.D0596721
STOPPER:PAPER TRAY

254.D0596728
(x2)
COMPRESSION SPRING:GRIP:PAPER TRAY

253.D0596725
BRACKET:STOPPER:PAPER TRAY:RIGHT:PEEN



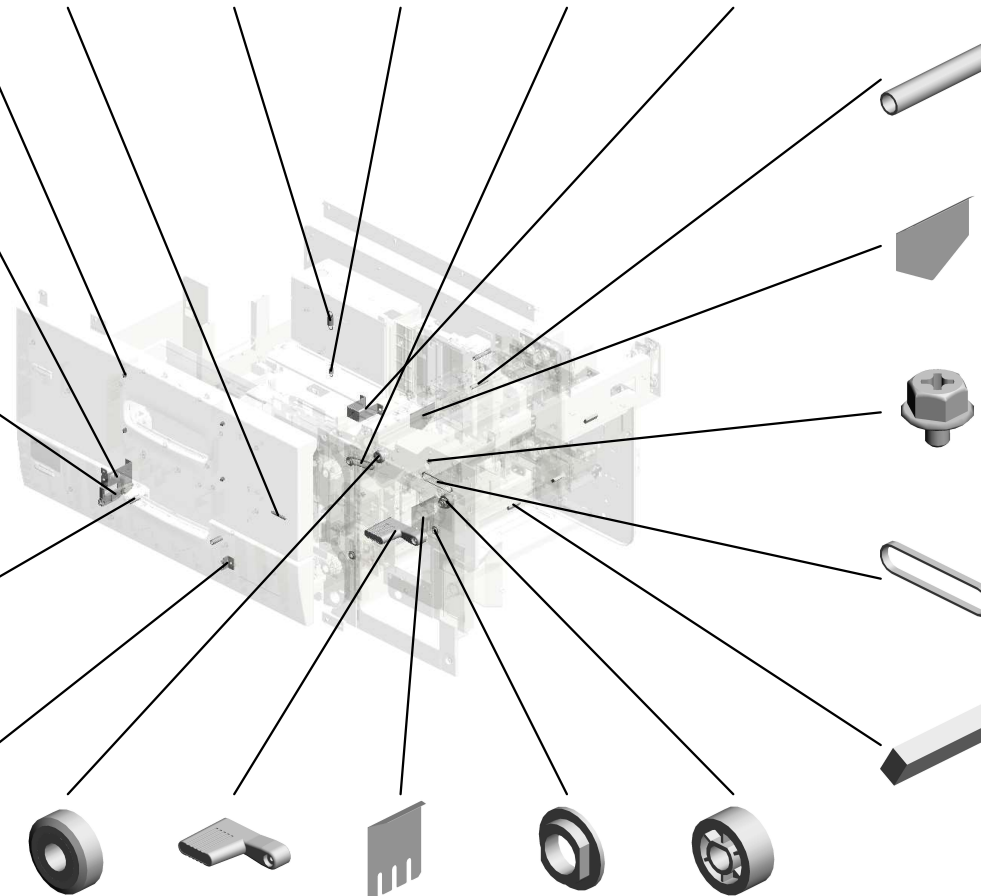
236.D0596121
(x2)
SPRING:CONNECTOR:TANDEM LCT

247.D0596664
GUIDE:MIDDLE:PAPER TRAY

234.D0592399
(x2)
FLANGED HEXAGONAL HEAD BOLT:M3*4

220.B7004428
TIMING BELT:B40S 2M158

221.B8323909
(x3)
BRACKET CUSHION



224.BB013007
GEAR - 20Z

217.B3033682
MISFEED REMOVAL KNOB

242.D0596496
GUIDE:MIDDLE:PAPER TRAY

227.C2693566
(x4)
BUSHING:MM8:PRESSURE:DRIVE

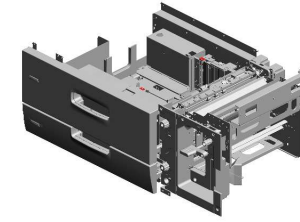
226.BB013011
GEAR - 22Z



U001	U002	U003	U004	U005	U006	U007	U008	U009	U010	U011	U012	U013	U014	U015	U016	U017	U018	U019	U020
------	------	------	------	------	------	------	------	------	------	------	------	------	------	------	------	------	------	------	------

U004 PAPER FEED

256.D0626692 SLIDE RAIL:PAPER TRAY:LEFT:SUB-ASSY
 264.D0747330 SLIDE RAIL:LEFT:NO.1
 265.D0747331 STAY:SLIDE RAIL:LEFT INNER REAR:NO.1:PEEN
 267.D0747335 STAY:SLIDE RAIL:LEFT:NO.2
 268.D0747349 (x2) COMPRESSION SPRING:BRACKET:SENSOR:PAPER SIZE SENSOR



278.D0747392
DECAL:PAPER TRAY:NO.1



266.D0747333
STAY:SLIDE RAIL:LEFT FRONT:NO.1



279.D0747393
DECAL:PAPER TRAY:NO.2



261.D0744854 (x2)
INNER COVER:RECEIVING SUB-UNIT:LEFT LOWER:LED



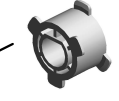
269.D0747367
BRACKET:STOPPER:TANDEM LCT



258.D0741389
COMPRESSION SPRING:JOINT:TRANSPORT



259.D0743173 (x11)
TIMING PULLEY:S2 M:25T



281.D0747433 (x2)
STUD:HANDLE:RELEASE:ASSY



280.D0747431
STAY:HANDLE:ASSY



260.D0743490
FUNNEL:DEVELOPER

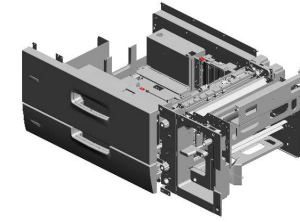


255.D0596731 SHIELD:GUIDE:MISFEED REMOVAL
 271.D0747382 DECAL:VERTICAL TRANSPORT:A2
 272.D0747383 DECAL:VERTICAL TRANSPORT:A3
 270.D0747381 DECAL:VERTICAL TRANSPORT:A1
 263.D0747326 SLIDE RAIL:RIGHT:NO.2:ASSY



U004 PAPER FEED

293.D0747551 COVER:PAPER TRAY:NO.1
 294.D0747558 COVER:GRIP:INNER BACK
 295.D0747561 GRIP:UPPER
 301.D0747570 BASE:LINK:PAPER TRAY:ASSY
 298.D0747566 (x2) BRACKET:ARM:LINK



302.D0747573 BRACKET:ARM:PLATE

303.D0747575 LINK:UPPER LOWER:LEFT:ASSY

299.D0747567 (x2) BRACKET:ARM:LINK:LEFT

296.D0747562 GRIP:LOWER

297.D0747565 STAY:COVER:PAPER TRAY

300.D0747568 BRACKET:FIX:AUXILIARY:COVER

304.D0747577 LINK:UPPER LOWER:ASSY

288.D0747476 GUIDE PLATE:OPEN AND CLOSE:ASSY

285.D0747461 GUIDE PLATE:GRIP:LOWER

283.D0747450 GUIDE PLATE:VERTICAL TRANSPORT:DRIVE

284.D0747455 GUIDE PLATE:GRIP:UPPER

286.D0747470 GUIDE PLATE:CONNECTING:UPPER

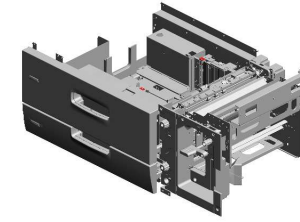
287.D0747474 GUIDE PLATE:CONNECTING:RIGHT

289.D0747481 GUIDE PLATE:OPEN AND CLOSE:CONNECTING:ASSY

282.D0747446 (x2) BRACKET:DC STEPPER MOTOR:TRANSPORT UNIT

U004 PAPER FEED

343.D5161261 (x2) COVER:LED
 312.D0747609 (x2) PROTECTION:COVER:LED
 345.D5165200 (x4) PCB:LED:ASSY
 323.D1945941 STAY:SLIDE RAIL:LEFT FRONT
 318.D1316511 BRACKET:CONNECTOR:LEFT



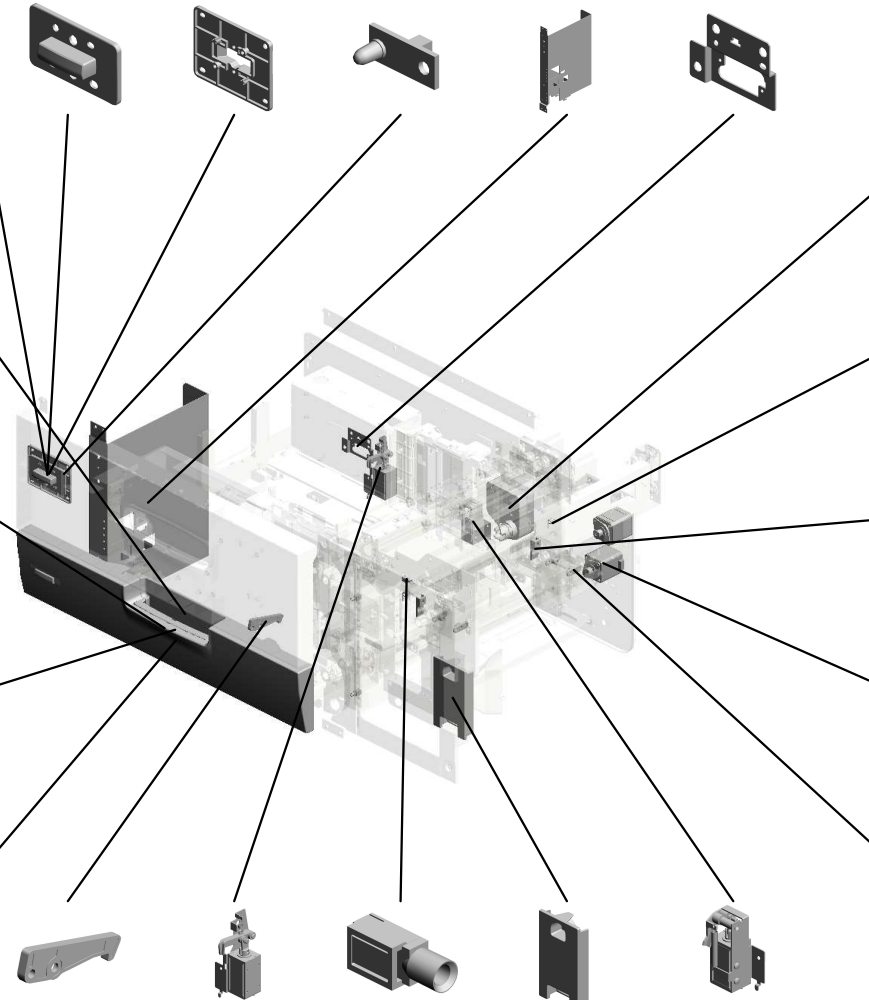
344.D5161453 (x2) DIFFUSION PLATE:LED

309.D0747603 PLATE:GRIP:PAPER TRAY:NO.2

308.D0747601 COVER:PAPER TRAY:NO.2

310.D0747606 GRIP:PAPER TRAY:NO.2

311.D0747607 ARM:PAPER TRAY:GRIP



324.D1947346 DC MOTOR:RISE:TANDEM LCT:ASSY:19.2W:BRUSH

342.D3553858 (x2) TORSION SPRING:GUIDE PLATE:16N

339.D3553828 (x2) HOLDER:STAY:GUIDE PLATE

322.D1942999 (x2) DC STEPPER MOTOR:PAPER TRANSPORT MD:MM42:ASSY

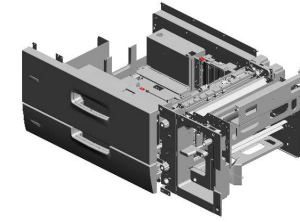
341.D3553844 (x4) SHOE:HANDLE:RELEASE

305.D0747579 STOPPER:TANDEM LCT
 329.D2236231 DC SOLENOID:LOCK:ASSY
 333.D2416290 (x3) LED:RED
 313.D0747659 COVER:FUNNEL:DEVELOPER
 330.D2236233 DC SOLENOID:COUPLING:ASSY

U001	U002	U003	U004	U005	U006	U007	U008	U009	U010	U011	U012	U013	U014	U015	U016	U017	U018	U019	U020
------	------	------	------	------	------	------	------	------	------	------	------	------	------	------	------	------	------	------	------

U004 PAPER FEED

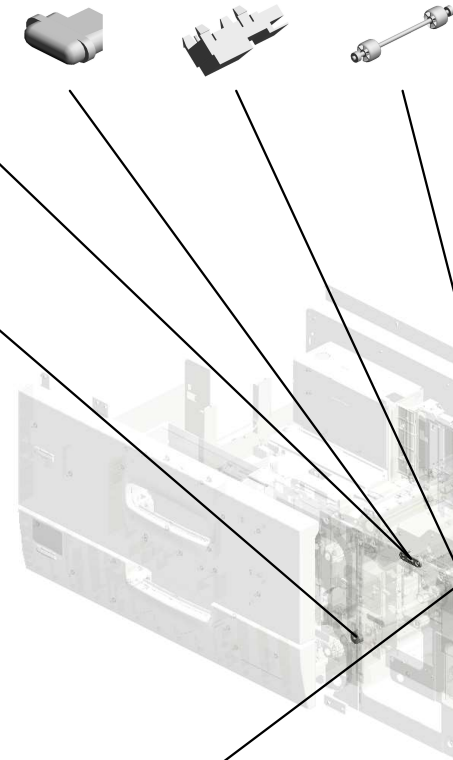
349.M2057492 347.GW010007 348.M0774862
 LED:LENS:PAPER J (x5) TRANSPORT ROLL
 AM PHOTO REFLECTI ER:DRIVEN:DUPL
 ON SENSOR:EXIT X:DIA18X2



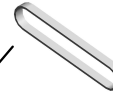
350.M2057496
 LED HOLDER:PAP
 ER JAM:TRANSP
 ORT SUB-UNIT



346.G1785029
 GEAR:DECURA:Z2
 0/M1



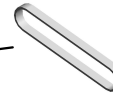
353.AA043737
 (x2)
 TIMING BELT:60S2
 M188
 202005-05 O/O



354.07433808
 (x4)
 RADIAL BALL BEA
 RING:DIA8XDIA16X
 5
 201807-06 O/O



353.AA043737
 (x4)
 TIMING BELT:60S2
 M188



364.D2706541
 (x2)
 SHAFT:DRIVE:FEE
 D:ASS'Y
 201904-06 O/O

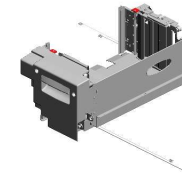


U001	U002	U003	U004	U005	U006	U007	U008	U009	U010	U011	U012	U013	U014	U015	U016	U017	U018	U019	U020
------	------	------	------	------	------	------	------	------	------	------	------	------	------	------	------	------	------	------	------

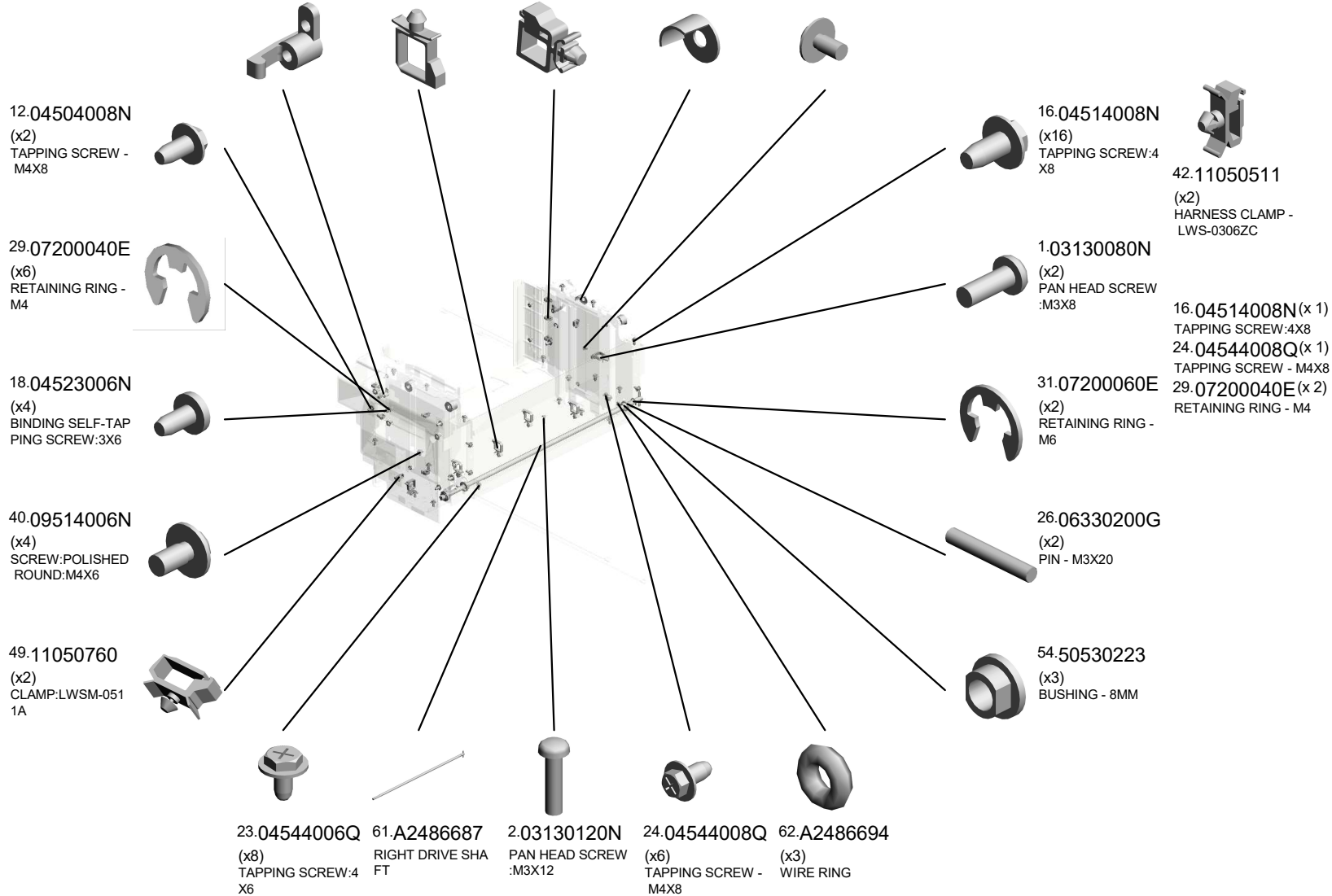
U004_S001

(EU/AA/TWN/KOR):(CHN[Pro C7200/C7210/C7200X/C7210X]):TANDEM LCT:RIGHT:ASS'Y

64.A2486713 (x2) HOOK - TENSION SPRING
 52.11050763 (x6) CLAMP:LWS-1211A
 44.11050534 (x8) CLAMP
 63.A2486695 (x4) GUIDE - PULLEY
 39.09513006N SCREW - M3X6



314.D0A57352
 (EU/AA/TWN/KOR):
 (CHN[Pro C7200/C7210/C7200X/C7210X]):TANDEM LCT:RIGHT:ASS'Y

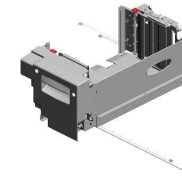


U001	U002	U003	U004	U005	U006	U007	U008	U009	U010	U011	U012	U013	U014	U015	U016	U017	U018	U019	U020
------	------	------	------	------	------	------	------	------	------	------	------	------	------	------	------	------	------	------	------

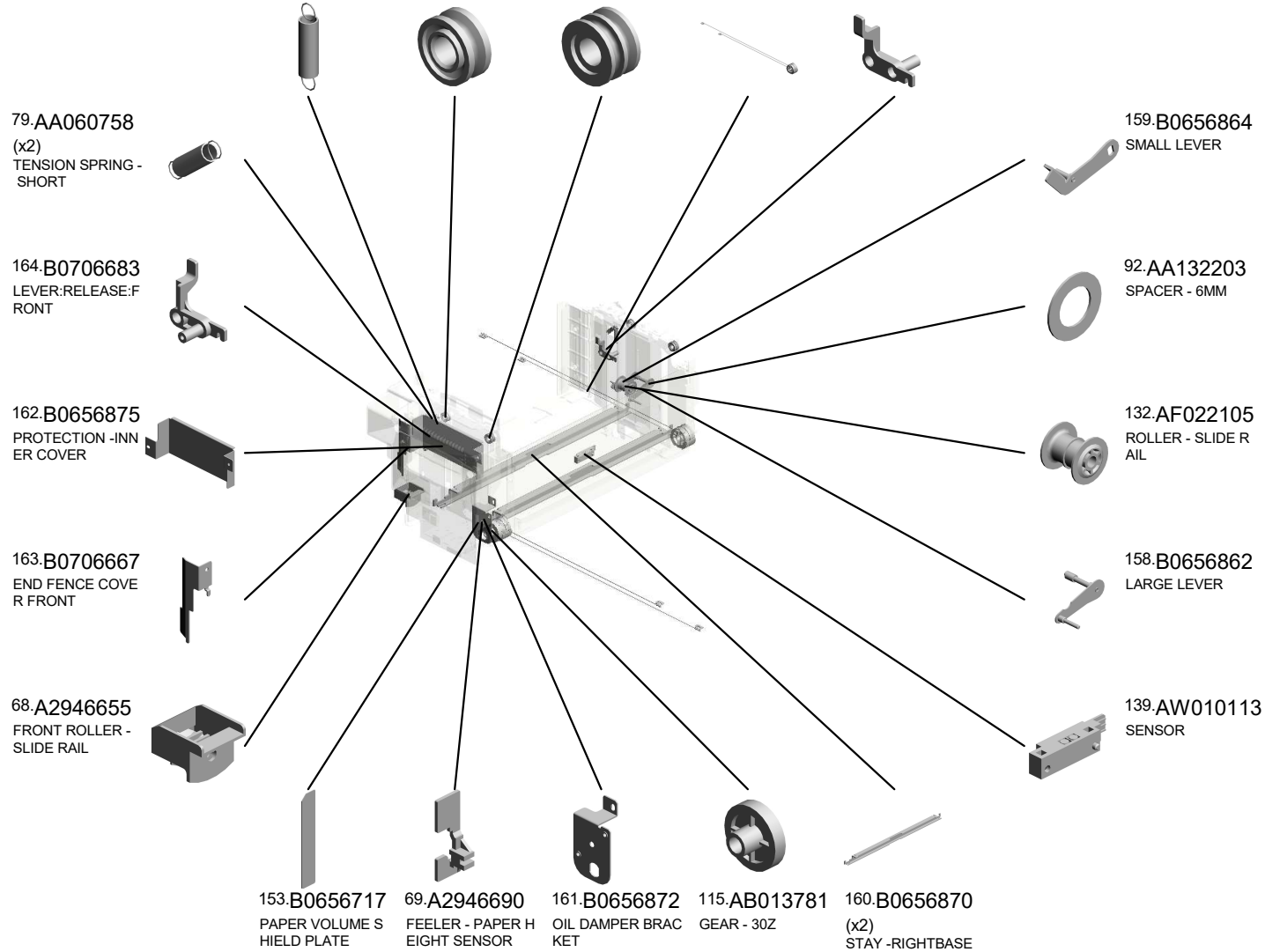
U004_S001

(EU/AA/TWN/KOR):(CHN[Pro C7200/C7210/C7200X/C7210X]):TANDEM LCT:RIGHT:ASS'Y

- 78.AA060757 (x2) TENSION SPRING - LONG
- 121.AB032058 (x2) WIRE PULLEY - M10
- 122.AB032719 (x2) PULLEY - M10
- 173.B1327550 (x2) COVER:PULLEY:DRIVE WERE
- 165.B0706684 LEVER:RELEASE:RIGHT EAR



314.D0A57352
(EU/AA/TWN/KOR):
(CHN[Pro C7200/C7210/C7200X/C7210X]):TANDEM LCT:RIGHT:ASS'Y

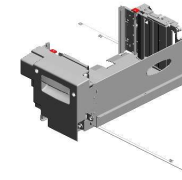


U001	U002	U003	U004	U005	U006	U007	U008	U009	U010	U011	U012	U013	U014	U015	U016	U017	U018	U019	U020
------	------	------	------	------	------	------	------	------	------	------	------	------	------	------	------	------	------	------	------

U004_S001

(EU/AA/TWN/KOR):(CHN[Pro C7200/C7210/C7200X/C7210X]):TANDEM LCT:RIGHT:ASS'Y

228.D0146626 BRACKET:ON OFF
DETECTOR:FRONT
335.D2706678 (x2)
COVER:CUSHION
275.D0747388 DECAL:PAPER SET
DIRECTION:TAND
EM LCT:RIGHT
206.B2346625 END FENCE - REA
R
229.D0146627 BRACKET:ON OFF
DETECTOR:REAR



314.D0A57352
(EU/AA/TWN/KOR):
(CHN[Pro C7200/C7
210/C7200X/C7210
X]):TANDEM LCT:RI
GHT:ASS'Y

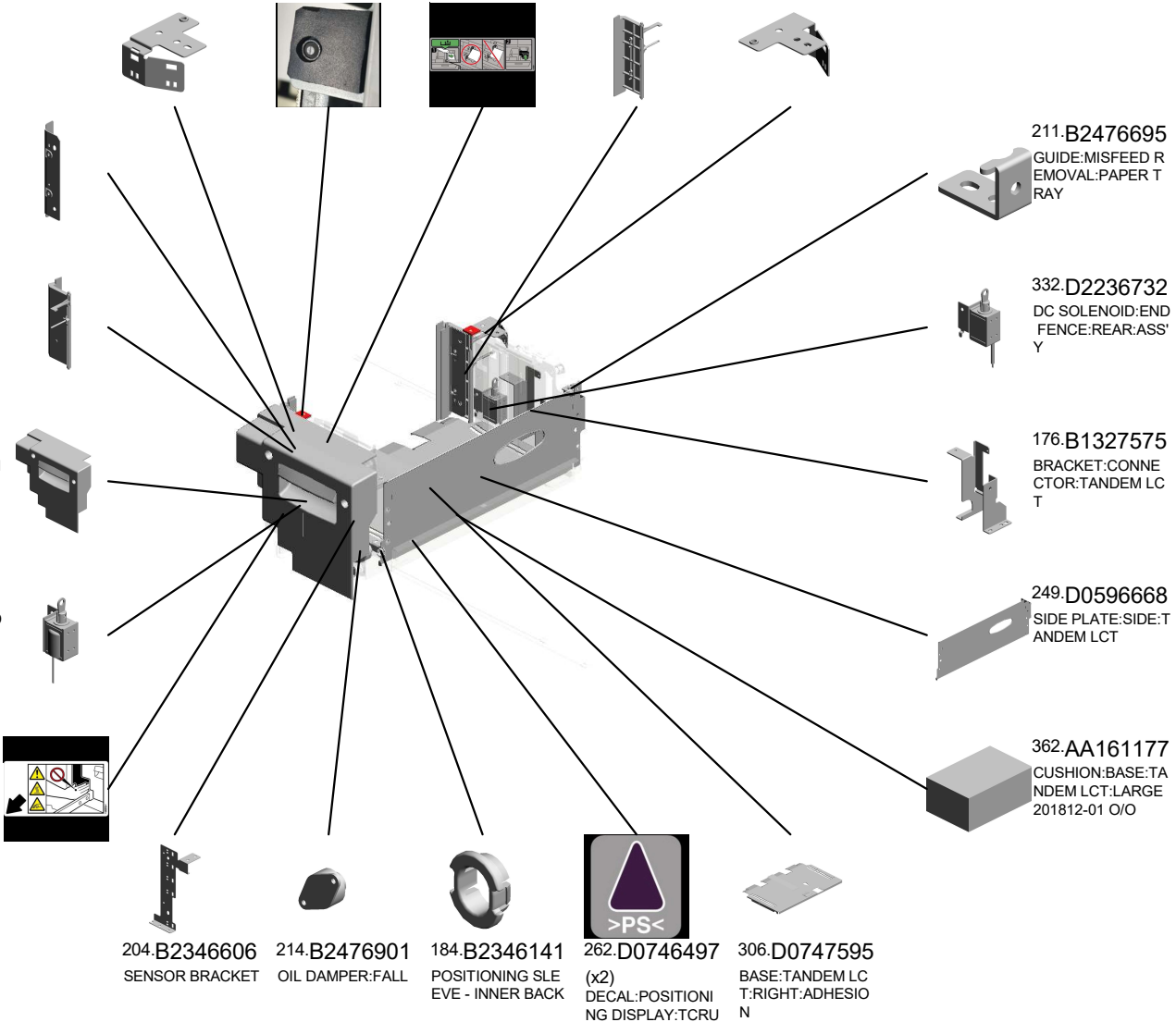
207.B2346630
(x2)
(EU/AA/TWN/KOR/
CHN):GUIDE PLAT
E - END FENCE

205.B2346612
END FENCE - FRO
NT

251.D0596712
INNER COVER:TAN
DEM LCT

331.D2236722
DC SOLENOID:END
FENCE:FRONT:AS
SY

274.D0747385
DECAL:CAUTION C
HART:TANDEM LC
T

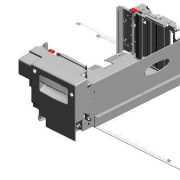


204.B2346606 SENSOR BRACKET
214.B2476901 OIL DAMPER:FALL
184.B2346141 POSITIONING SLE
EVE - INNER BACK
262.D0746497 (x2)
DECAL:POSITIONI
NG DISPLAY:TCRU
306.D0747595 BASE:TANDEM LC
T:RIGHT:ADHESIO
N

U001	U002	U003	U004	U005	U006	U007	U008	U009	U010	U011	U012	U013	U014	U015	U016	U017	U018	U019	U020
------	------	------	------	------	------	------	------	------	------	------	------	------	------	------	------	------	------	------	------

U004_S001
(EU/AA/TWN/KOR):(CHN[Pro C7200/C7210/C7200X/C7210X]):TANDEM LCT:RIGHT:ASS'Y

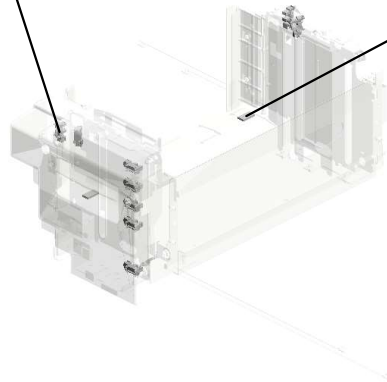
366.GW020024
(x9)
PHOTOINTERRUPT
OR:LG2A24BL1:GF
201907-06 O/O



314.D0A57352
(EU/AA/TWN/KOR):
(CHN[Pro C7200/C7210/C7200X/C7210
X]):TANDEM LCT:RI
GHT:ASS'Y



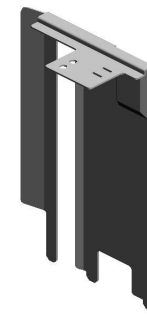
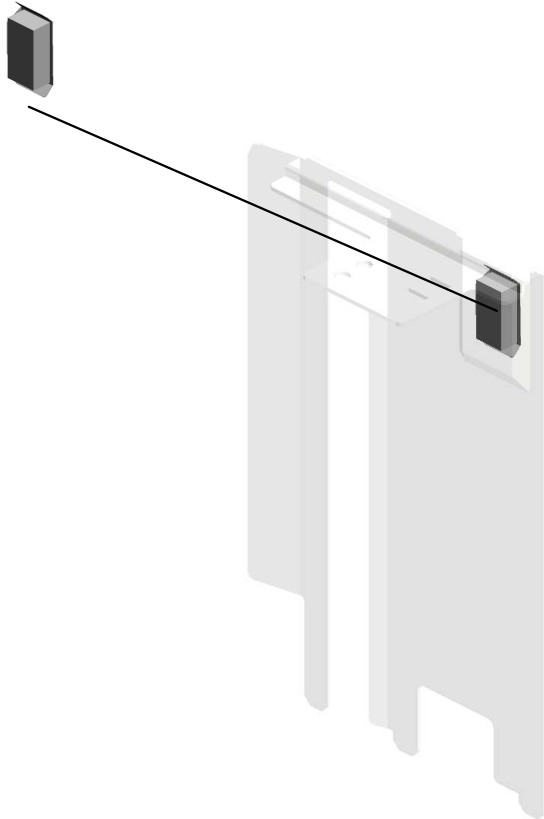
363.AA161178
(x2)
CUSHION:BASE:TA
NDEM LCT:SMALL
201812-02 O/O



U001	U002	U003	U004	U005	U006	U007	U008	U009	U010	U011	U012	U013	U014	U015	U016	U017	U018	U019	U020
------	------	------	------	------	------	------	------	------	------	------	------	------	------	------	------	------	------	------	------

U004_S001_S001
SIDE FENCE - RIGHT FRONT

250.D0596690
PLATE:PAPER:ASS'
Y

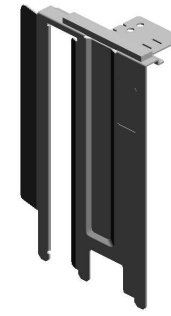


208.B2346686
SIDE FENCE - RIG
HT FRONT

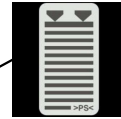
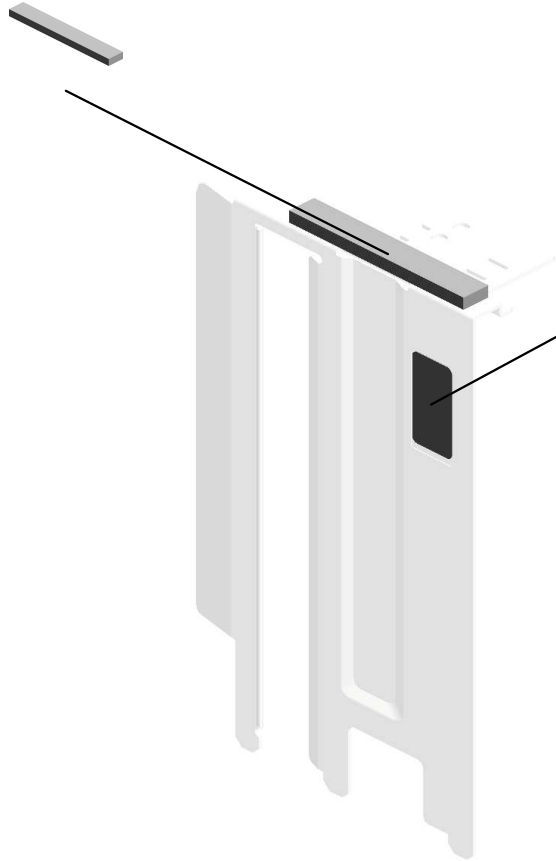
U001	U002	U003	U004	U005	U006	U007	U008	U009	U010	U011	U012	U013	U014	U015	U016	U017	U018	U019	U020
------	------	------	------	------	------	------	------	------	------	------	------	------	------	------	------	------	------	------	------

U004_S001_S002
SIDE FENCE:TANDEM LCT:RIGHT:ASS'Y

218.B4756855
SHIELD:TANDEM L
CT:REAR RIGHT



209.B2346691
SIDE FENCE:TAND
EM LCT:RIGHT:AS
SY



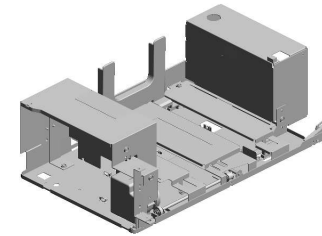
73.AA001509
DECAL:SIDE FENC
E:16X30

U001	U002	U003	U004	U005	U006	U007	U008	U009	U010	U011	U012	U013	U014	U015	U016	U017	U018	U019	U020
------	------	------	------	------	------	------	------	------	------	------	------	------	------	------	------	------	------	------	------

U004_S002

(EU/AA/TWN/KOR):(CHN[Pro C7200/C7210/C7200X/C7210X]):TANDEM LCT:LEFT:ASS'Y

- 29.07200040E (x5) RETAINING RING - M4
- 12.04504008N (x2) TAPPING SCREW - M4X8
- 81.AA060987 TENSION SPRING: TIMING BELT:10N
- 75.AA043271 TIMING BELT S3M 196T
- 1.03130080N (x2) PAN HEAD SCREW :M3X8



373.D0BX7556
 [A]
 (EU/AA/TWN/KOR):
 (CHN[Pro C7200/C7210/C7200X/C7210X]):TANDEM LCT:L
 202402-13 O/O

124.AB033085
TIMING PULLEY - 1
5T



13.04504010N
(x2)
TAPPING SCREW:
M4X10



67.A2946643
LEFT FRONT FENCE



140.AW020163
PAPER FEED SENSOR



23.04544006Q
(x4)
TAPPING SCREW:4
X6



11.04503008N
(x3)
TAPPING SCREW -
M3X8



120.AB019475
GEAR - 48T



116.AB013798
GEAR - Z18



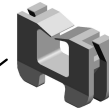
93.AA140686
SHAFT - TIMING P
ULLEY



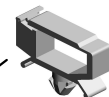
20.04534006N
BINDING SELF TAP
PING SCREW:4X6



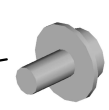
41.11050328
(x4)
HARNESS CLAMP -
ES-0505



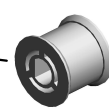
43.11050516
(x7)
CLAMP



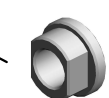
15.04514006N
(x21)
TAPPING SCREW -
4X6



123.AB033084
TIMING PULLEY - 1
5T



55.50530447
(x2)
BUSHING - 6MM



42.11050511
(x2)
HARNESS CLAMP -
LWS-0306ZC



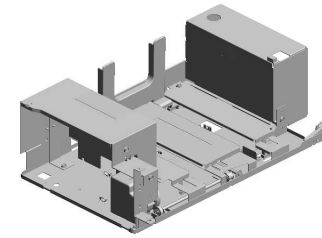
15.04514006N(x 1)
TAPPING SCREW - 4X6

U001	U002	U003	U004	U005	U006	U007	U008	U009	U010	U011	U012	U013	U014	U015	U016	U017	U018	U019	U020
------	------	------	------	------	------	------	------	------	------	------	------	------	------	------	------	------	------	------	------

U004_S002

(EU/AA/TWN/KOR):(CHN[Pro C7200/C7210/C7200X/C7210X]):TANDEM LCT:LEFT:ASS'Y

326.D1947552 SIDE PLATE:TANDEM LCT:LEFT SIDEWAYS
 155.B0656823 TIMING BELT COVER
 174.B1327561 BACK FENCE:LEFT
 175.B1327564 SLIDER:BACK FENCE:LEFT
 336.D2706721 COVER:GUARD:HANDNESS



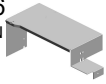
373.D0BX7556

[A]
 (EU/AA/TWN/KOR):
 (CHN[Pro C7200/C7210/C7200X/C7210X]):TANDEM LCT:L
 202402-13 O/O

276.D0747389
 DECAL:PAPER SET
 DIRECTION:TANDEM LCT:LEFT



245.D0EZ6646
 INNER COVER:TANDEM LCT:LEFT
 202312-01 O/O



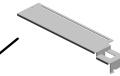
216.B2476951
 BRACKET:PULLEY:DRIVEN:ASS'Y



210.B2347540
 TRAY BOTTOM PLATE:LEFT FRONT



172.B1327541
 TRAY BOTTOM PLATE:LEFT REAR



244.D0596620
 LEVER:COUPLING:LEFT



246.D0596659
 SUPPORTING PLATE:SIDE FENCE:LEFT



366.GW020024
 (x2)
 PHOTOINTERRUPTOR:LG2A24BL1:GF
 201907-06 O/O



157.B0656831
 SENSOR BRACKET



248.D0596665
 BRACKET:DC MOTOR:LEFT:ASS'Y



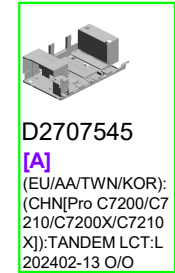
215.B2476950
 SHAFT:SLIDER:BACK FENCE



307.D0747596
 TRAY BOTTOM PLATE:LEFT MIDDLE:ASS'Y



156.B0656830
 PULLEY BRACKET



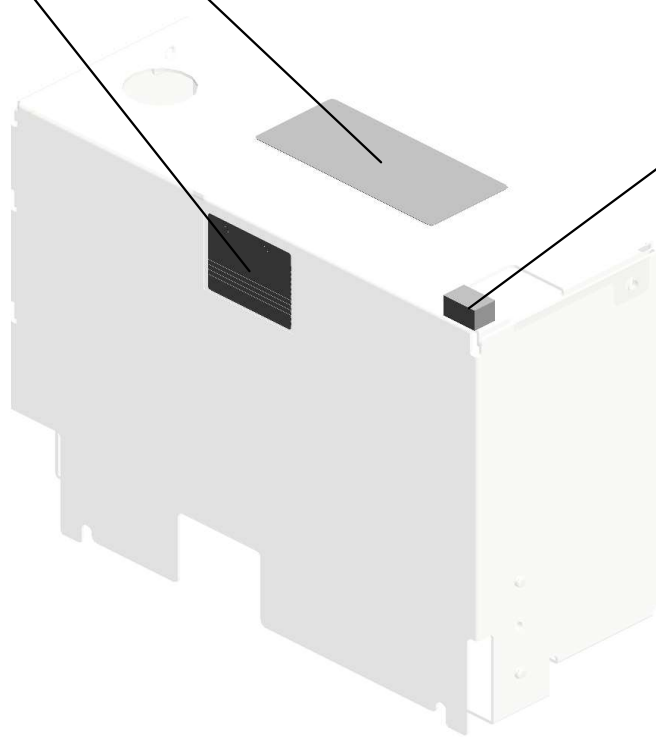
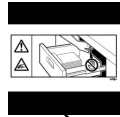
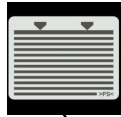
D2707545
 [A]
 (EU/AA/TWN/KOR):
 (CHN[Pro C7200/C7210/C7200X/C7210X]):TANDEM LCT:L
 202402-13 O/O

U001	U002	U003	U004	U005	U006	U007	U008	U009	U010	U011	U012	U013	U014	U015	U016	U017	U018	U019	U020
------	------	------	------	------	------	------	------	------	------	------	------	------	------	------	------	------	------	------	------

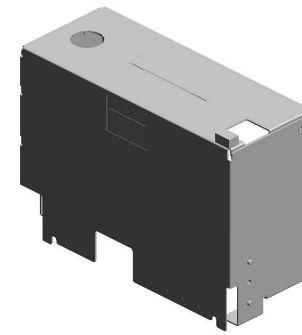
U004_S002_S001
SIDE FENCE:TANDEM LCT:LEFT REAR:ASS'Y

72-AA001508
DECAL:SIDE FENC
E:40X30

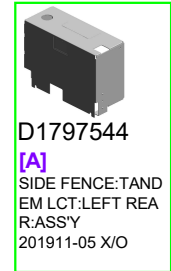
71-AA000313
DECAL:CAUTION:I
NSERT:PAPER FEE
D SUB-UNIT



370-D4573963
CUSHION:COVER:
GUIDE PLATE
202205-02



367-D0A57144
[A]
SIDE FENCE:TAND
EM LCT:LEFT REA
R:ASS'Y
201911-05 X/O

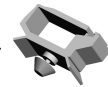


D1797544
[A]
SIDE FENCE:TAND
EM LCT:LEFT REA
R:ASS'Y
201911-05 X/O

U001	U002	U003	U004	U005	U006	U007	U008	U009	U010	U011	U012	U013	U014	U015	U016	U017	U018	U019	U020
------	------	------	------	------	------	------	------	------	------	------	------	------	------	------	------	------	------	------	------

U004_S003
HEAT SINK:HEATER:LOWER:ASS'Y

356.11050723
CLAMPS:WES-0507



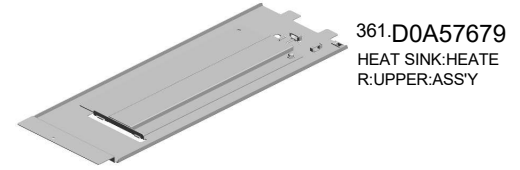
49.11050760
CLAMP:LWSM-051
1A



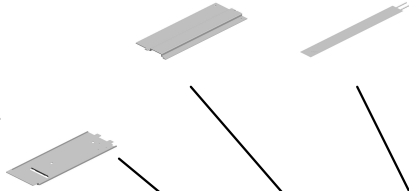
U001	U002	U003	U004	U005	U006	U007	U008	U009	U010	U011	U012	U013	U014	U015	U016	U017	U018	U019	U020
------	------	------	------	------	------	------	------	------	------	------	------	------	------	------	------	------	------	------	------

U004_S004
HEAT SINK:HEATER:UPPER:ASS'Y

358.B0656118 357.AX400178
GUIDE PLATE:HEA HEATER:240V:18W
T SINK:UPPER:FIB :UPPER
ER

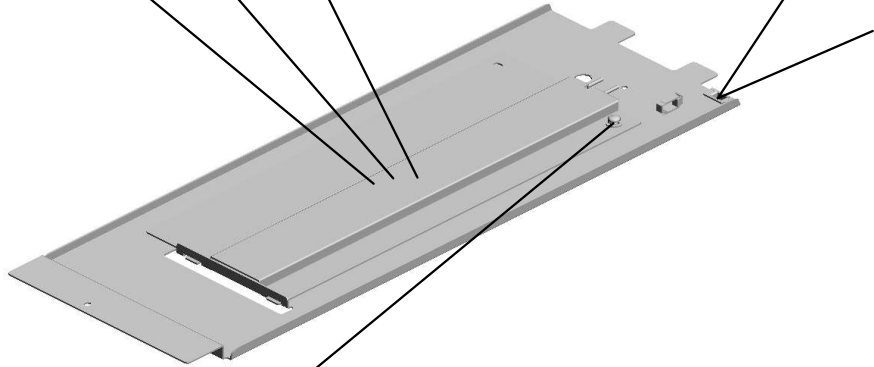


359.D0747684
HEAT SINK:HEATE
R:UPPER:FIBER



49.11050760
(x2)
CLAMP:LWSM-051
1A

356.11050723
CLAMPS:WES-0507



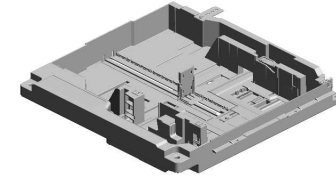
355.09574008N
SCREW:SMALL RO
UND/SPRING:M4X8



U001	U002	U003	U004	U005	U006	U007	U008	U009	U010	U011	U012	U013	U014	U015	U016	U017	U018	U019	U020
------	------	------	------	------	------	------	------	------	------	------	------	------	------	------	------	------	------	------	------

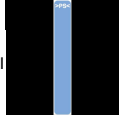
U004_S005
PAPER TRAY:UNIVERSAL:SUB-ASS'Y

232.D0146785 126.AF017033 178.B1816780 179.B1816789 170.B1326797
 SPRING PLATE:AR END FENCE LINK:END FENCE:P LINK:SIDE FENCE: SIDE FENCE:REAR
 M:END FENCE:LOC APER SIZE SENSO PAPER SIZE SENS :AUXILIARY
 K R:ASS'Y OR



327.D0BX7631
 [A]
 PAPER TRAY:UNIV
 ERSAL:SUB-ASS'Y
 201909-02 O/O

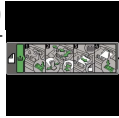
151.B0656545
 (x2)
 DECAL - POSITIONI
 NG



328.D1947635
 ARM:END FENCE:L
 OCK



277.D0747390
 DECAL:PAPER SET
 DIRECTION:PAPE
 R TRAY



231.D0146784
 SPRING PLATE:EN
 D FENCE



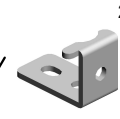
171.B1326798
 SPRING PLATE:PA
 PER TRAY:EARTH



80.AA060961 365.D0BX6780 31.07200060E 12.04504008N 114.AB012327
 TENSION SPRING: TRAY BOTTOM PL (x2) (x3) GEAR:16Z
 SIDE FENCE:REAR ATE:ASS'Y RETAINING RING - TAPPING SCREW -
 201905-05 O/O M6 M4X8



211.B2476695
 GUIDE:MISFEED R
 EMOVAL:PAPER T
 RAY



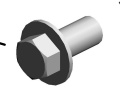
194.B2346498
 (x2)
 SHEET:TRAY BOT
 TOM PLATE



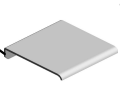
149.B0656524
 BOTTOM PLATE LI
 FT SHAFT



9.03604008N
 (x2)
 SCREW - M4X8



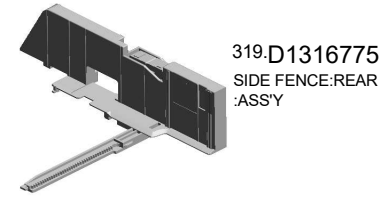
150.B0656526
 LIFT LEVER



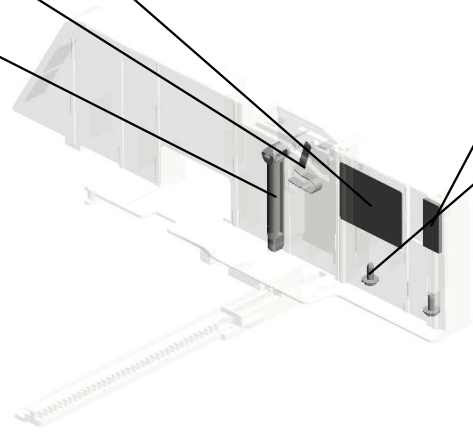
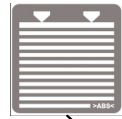
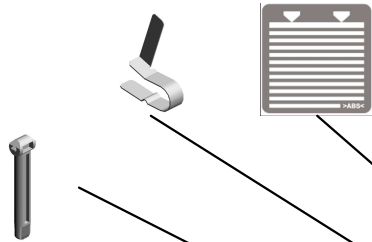
D1947631
 [A]
 PAPER TRAY:UNIV
 ERSAL:SUB-ASS'Y
 201909-02 O/O

U004_S005_S001
SIDE FENCE:REAR:ASS'Y

65.A2672857 74.AA001597
SPRING PLATE - SI DE FENCE DECAL:SIDE FENCE:REAR



66.A2672859
SIDE FENCE STOP PER



181.B2342864
PAD:CLEANER

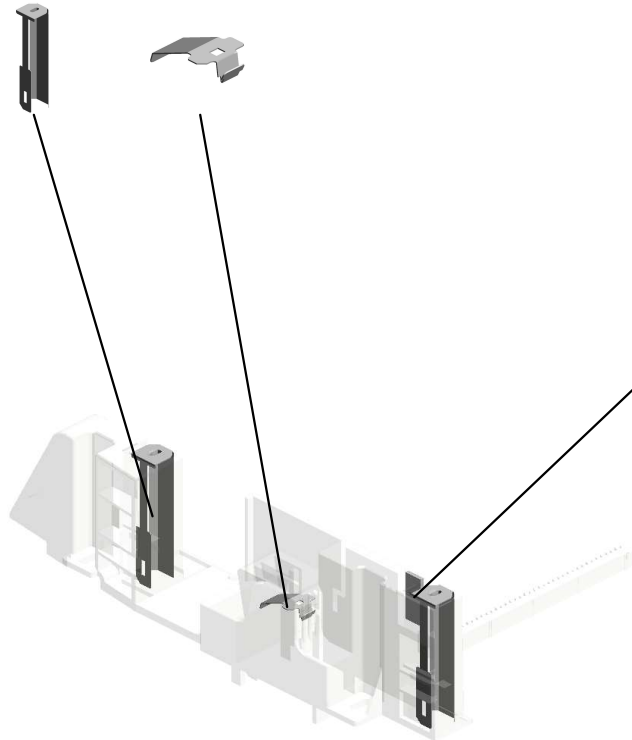
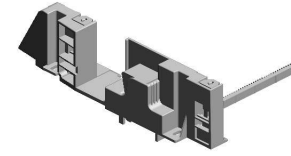
11.04503008N
(x2)
TAPPING SCREW - M3X8

U001	U002	U003	U004	U005	U006	U007	U008	U009	U010	U011	U012	U013	U014	U015	U016	U017	U018	U019	U020
------	------	------	------	------	------	------	------	------	------	------	------	------	------	------	------	------	------	------	------

U004_S005_S002
SIDE FENCE:FRONT:ASS'Y

169.B1326791 60.A1342978
(x2) SPRING PLATE
PLATE:SIDE FENCE

320.D1316777
SIDE FENCE:FRONT:ASS'Y



181.B2342864
PAD:CLEANER

U001	U002	U003	U004	U005	U006	U007	U008	U009	U010	U011	U012	U013	U014	U015	U016	U017	U018	U019	U020
------	------	------	------	------	------	------	------	------	------	------	------	------	------	------	------	------	------	------	------

U004_S006
BRACKET:DETENT:RIGHT:ASS'Y

28.07200030E
(x2)
RETAINING RING -
M3



338.D3553810
BRACKET:DETENT:
RIGHT:ASS'Y



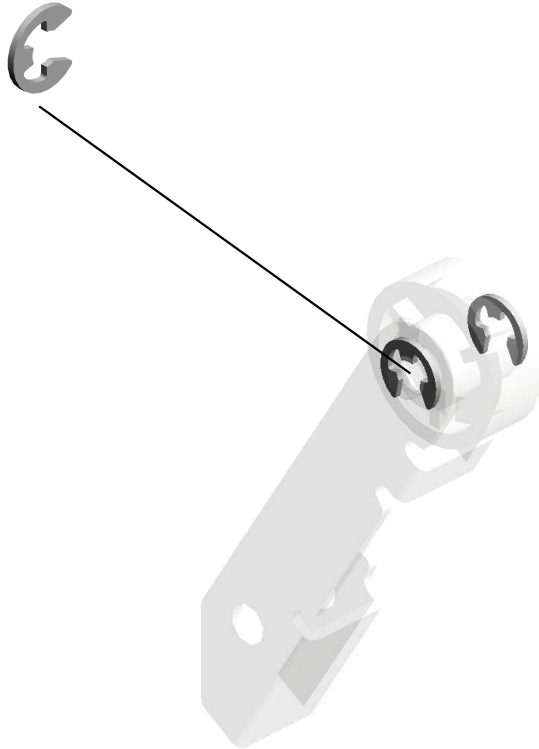
U001	U002	U003	U004	U005	U006	U007	U008	U009	U010	U011	U012	U013	U014	U015	U016	U017	U018	U019	U020
------	------	------	------	------	------	------	------	------	------	------	------	------	------	------	------	------	------	------	------

U004_S007
BRACKET:DETENT:ASS'Y

28.07200030E
(x2)
RETAINING RING -
M3



340.D3553840
BRACKET:DETENT:
ASS'Y



U001	U002	U003	U004	U005	U006	U007	U008	U009	U010	U011	U012	U013	U014	U015	U016	U017	U018	U019	U020
------	------	------	------	------	------	------	------	------	------	------	------	------	------	------	------	------	------	------	------

U004_S008
GUIDE PLATE:FEED PAPER AGAIN:ASS'Y



325.D1947469
GUIDE PLATE:FEED
D PAPER AGAIN:A
SS'Y

7.03603006N(x 2)
SCREW - M3X6

U001	U002	U003	U004	U005	U006	U007	U008	U009	U010	U011	U012	U013	U014	U015	U016	U017	U018	U019	U020
------	------	------	------	------	------	------	------	------	------	------	------	------	------	------	------	------	------	------	------

U004_S009
SHAFT:JOINT:PAPER FEED UNIT:ASS'Y

30.07200050E
RETAINING RING -
M5

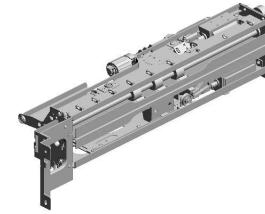


257.D0741387
SHAFT:JOINT:PAP
ER FEED UNIT:ASS
'Y

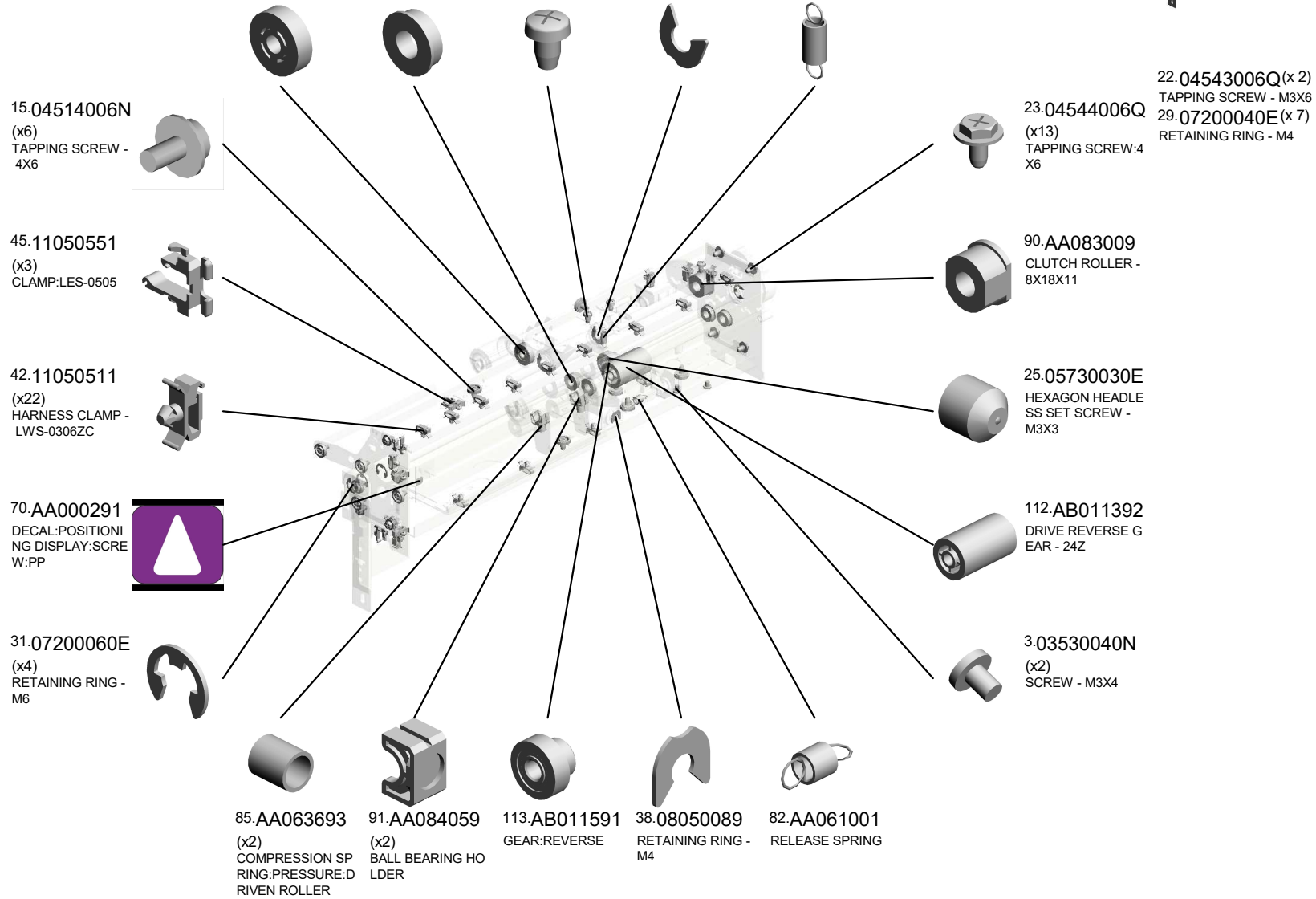
U001	U002	U003	U004	U005	U006	U007	U008	U009	U010	U011	U012	U013	U014	U015	U016	U017	U018	U019	U020
------	------	------	------	------	------	------	------	------	------	------	------	------	------	------	------	------	------	------	------

U004_S010
 PAPER FEED UNIT:PAPER BANK:ASS'Y

58.54472706 GEAR - 15T
 32.07413506 (x4) BALL BEARING - 6 X12X4 MM
 10.04340060N (x3) PAN SELF-TAPPING SCREW:M4X6
 37.08050088 (x2) RETAINING RING - M6
 77.AA060523 PICK-UP PRESSURE SPRING



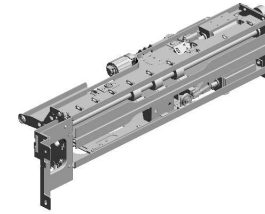
315.D0A57450
 PAPER FEED UNIT:
 PAPER BANK:ASS'
 Y



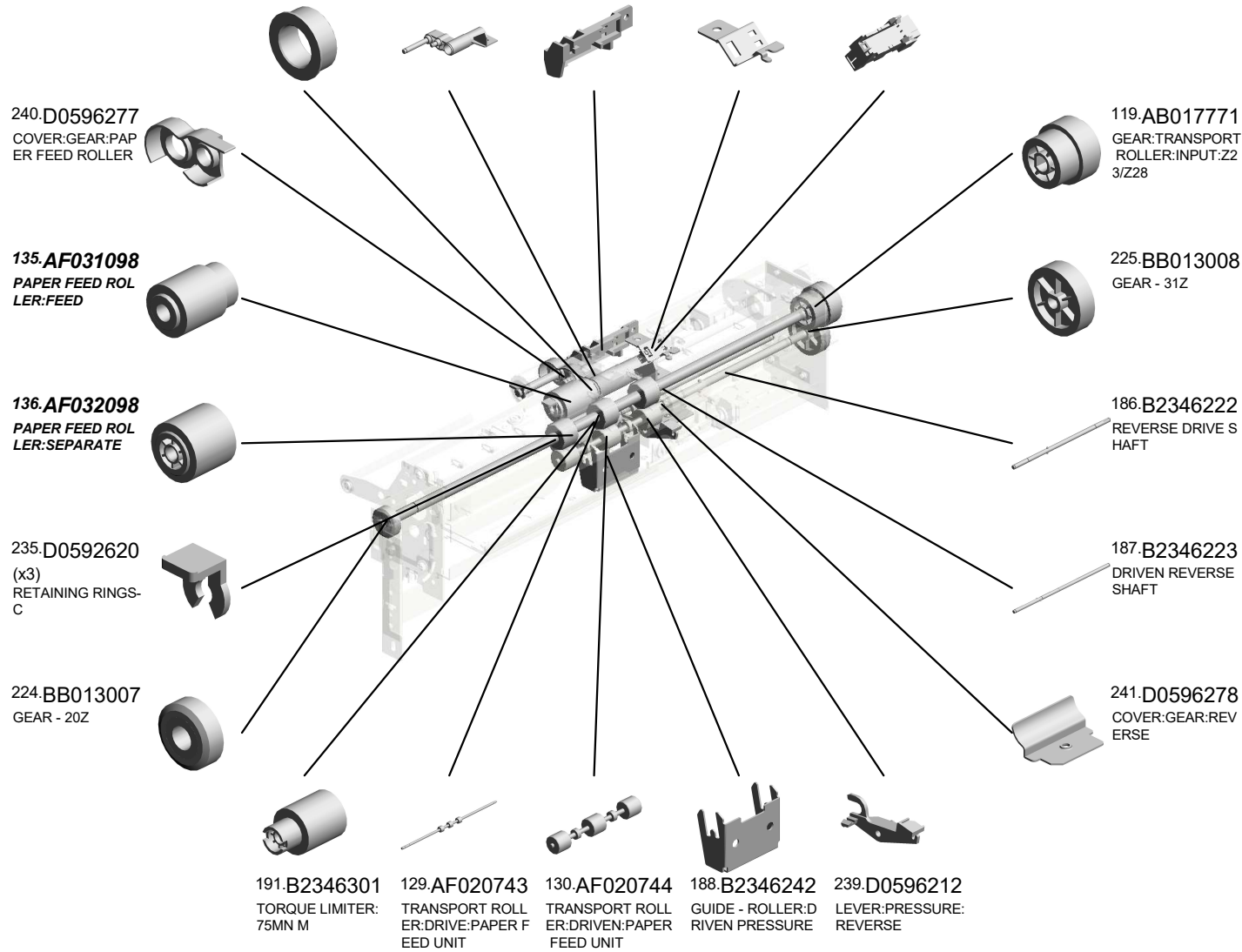
U001	U002	U003	U004	U005	U006	U007	U008	U009	U010	U011	U012	U013	U014	U015	U016	U017	U018	U019	U020
------	------	------	------	------	------	------	------	------	------	------	------	------	------	------	------	------	------	------	------

U004_S010
 PAPER FEED UNIT:PAPER BANK:ASS'Y

- 180.B2342624 BALL BEARING - 8 X12X5
- 189.B2346275 PICKUP ARM
- 148.B0656345 PAPER END SENS OR BRACKET
- 190.B2346288 BSENSOR BRACKET - SENSOR
- 141.AW020198 PHOTOINTERRUPT OR:LG2A14NL1



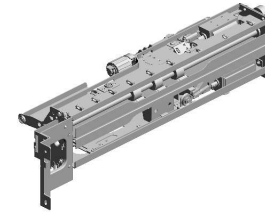
315.D0A57450
 PAPER FEED UNIT:
 PAPER BANK:ASS'
 Y



U001	U002	U003	U004	U005	U006	U007	U008	U009	U010	U011	U012	U013	U014	U015	U016	U017	U018	U019	U020
------	------	------	------	------	------	------	------	------	------	------	------	------	------	------	------	------	------	------	------

U004_S010
 PAPER FEED UNIT:PAPER BANK:ASS'Y

290.D0747521 292.D0747527
 GUIDE PLATE:UPP SHAFT:FEED:ASS'
 ER:PAPER FEED U Y
 NIT



315.D0A57450
 PAPER FEED UNIT:
 PAPER BANK:ASS'
 Y

371.AF030173
 PAPER FEED ROL
 LER:PICKUP
 202208-01 O/O



347.GW010007
 (x2)
 PHOTO REFLECTI
 ON SENSOR:EXIT



354.07433808
 (x2)
 RADIAL BALL BEA
 RING:DIA8XDIA16X
 5
 201807-06 O/O



372.D0BX6282
 SWING UNIT:PICK
 UP ROLLER:ASS'Y
 202301-07 O/O



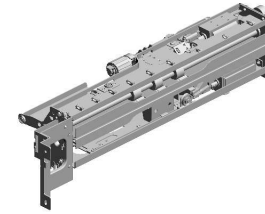
291.D0747522 316.D0A57464
 GUIDE PLATE:LOW DC SOLENOID:REV
 ER:PAPER FEED U ERSE:SUB-ASS'Y
 NIT



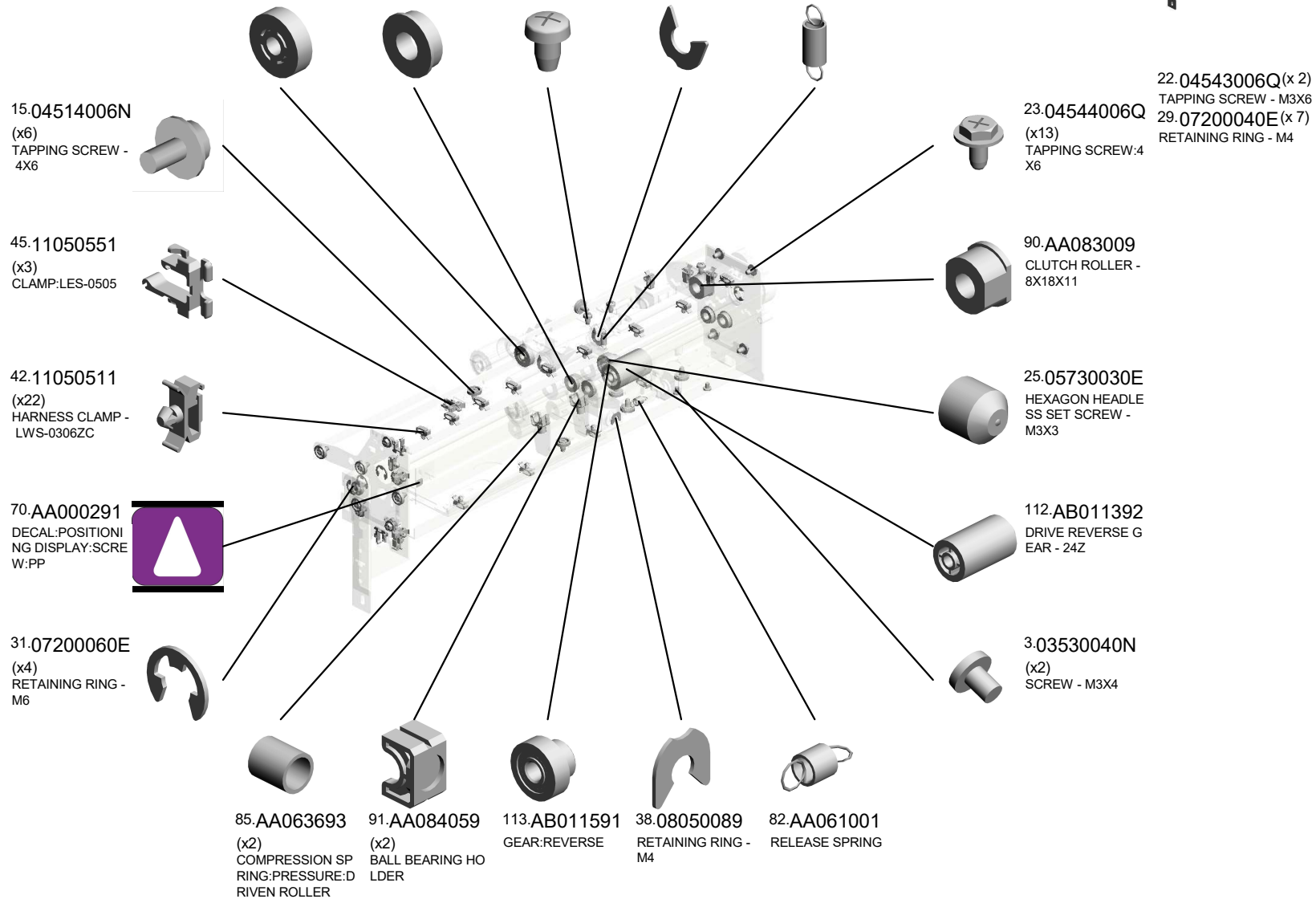
U001	U002	U003	U004	U005	U006	U007	U008	U009	U010	U011	U012	U013	U014	U015	U016	U017	U018	U019	U020
------	------	------	------	------	------	------	------	------	------	------	------	------	------	------	------	------	------	------	------

U004_S011
PAPER FEED UNIT:PAPER BANK:ASS'Y

58.54472706 GEAR - 15T
32.07413506 (x4) BALL BEARING - 6 X12X4 MM
10.04340060N (x3) PAN SELF-TAPPING SCREW:M4X6
37.08050088 (x2) RETAINING RING - M6
77.AA060523 PICK-UP PRESSURE SPRING



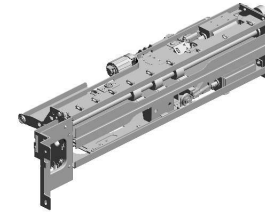
315.D0A57450
PAPER FEED UNIT:
PAPER BANK:ASS'
Y



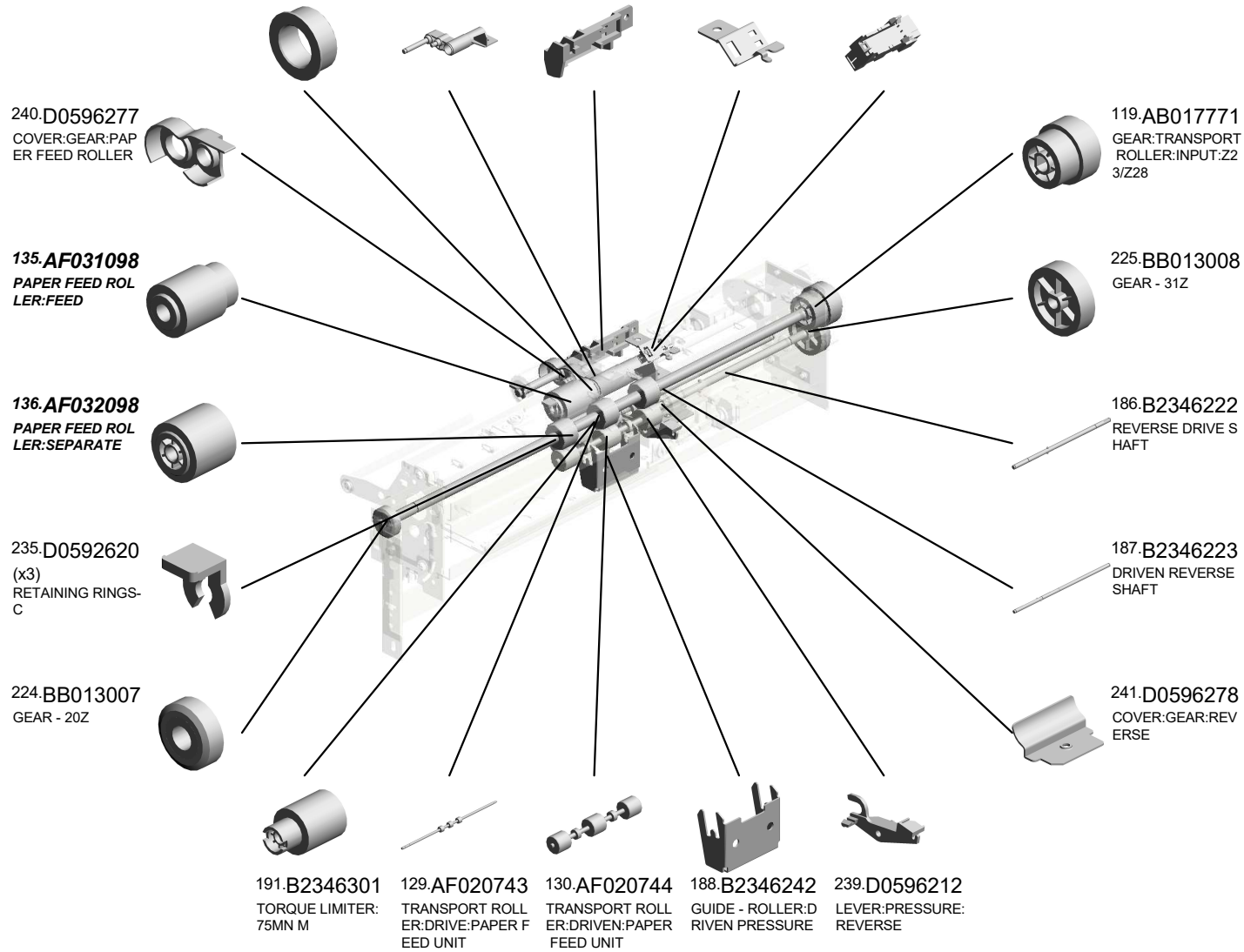
U001	U002	U003	U004	U005	U006	U007	U008	U009	U010	U011	U012	U013	U014	U015	U016	U017	U018	U019	U020
------	------	------	------	------	------	------	------	------	------	------	------	------	------	------	------	------	------	------	------

U004_S011
 PAPER FEED UNIT:PAPER BANK:ASS'Y

- 180.B2342624 BALL BEARING - 8 X12X5
- 189.B2346275 PICKUP ARM
- 148.B0656345 PAPER END SENS OR BRACKET
- 190.B2346288 BSENSOR BRACKET - SENSOR
- 141.AW020198 PHOTOINTERRUPT OR:LG2A14NL1



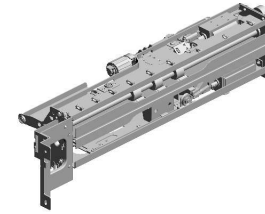
315.D0A57450
 PAPER FEED UNIT:
 PAPER BANK:ASS'
 Y



U001	U002	U003	U004	U005	U006	U007	U008	U009	U010	U011	U012	U013	U014	U015	U016	U017	U018	U019	U020
------	------	------	------	------	------	------	------	------	------	------	------	------	------	------	------	------	------	------	------

U004_S011
 PAPER FEED UNIT:PAPER BANK:ASS'Y

371.AF030173 290.D0747521 291.D0747522
 PAPER FEED ROL GUIDE PLATE:UPP GUIDE PLATE:LOW
 LER:PICKUP ER:PAPER FEED U ER:PAPER FEED U
 202208-01 O/O NIT NIT



315.D0A57450
 PAPER FEED UNIT:
 PAPER BANK:ASS'
 Y

347.GW010007
 (x2)
 PHOTO REFLECTI
 ON SENSOR:EXIT



354.07433808
 (x2)
 RADIAL BALL BEA
 RING:DIA8XDIA16X
 5
 201807-06 O/O



372.D0BX6282
 SWING UNIT:PICK
 UP ROLLER:ASS'Y
 202301-07 O/O



316.D0A57464
 DC SOLENOID:REV
 ERSE:SUB-ASS'Y



U001	U002	U003	U004	U005	U006	U007	U008	U009	U010	U011	U012	U013	U014	U015	U016	U017	U018	U019	U020
------	------	------	------	------	------	------	------	------	------	------	------	------	------	------	------	------	------	------	------

U004_S011_S001
SHAFT:FEED:ASS'Y

31.07200060E
RETAINING RING -
M6

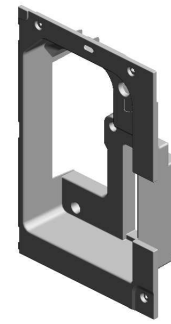


292.D0747527
SHAFT:FEED:ASS'
Y

U001	U002	U003	U004	U005	U006	U007	U008	U009	U010	U011	U012	U013	U014	U015	U016	U017	U018	U019	U020
------	------	------	------	------	------	------	------	------	------	------	------	------	------	------	------	------	------	------	------

U004_S012
INNER COVER:VERTICAL TRANSPORT:RIGHT:ASS'Y

273.D0747384
DECAL:VERTICAL
TRANSPORT:B2



317.D0A57471
INNER COVER:VER
TICAL TRANSPORT
:RIGHT:ASS'Y

U001	U002	U003	U004	U005	U006	U007	U008	U009	U010	U011	U012	U013	U014	U015	U016	U017	U018	U019	U020
------	------	------	------	------	------	------	------	------	------	------	------	------	------	------	------	------	------	------	------

U005.TONER SUPPLY

U005 S001
D1943640
 FEELER:SENSOR:ON OFF D
 ETECTOR:TONER BANK:ASS'
 Y

U005 S006
D0A53441
 CASE:TONER HOPPER:TON
 ER SUPPLY:COLOR:ASS'Y

U005 S002
D1943655
 INNER COVER:TONER BANK:
 ASS'Y

U005 S009
D0AL3428
 (Pro C7200SX/C7210SX/C720
 0X/C7210X):TONER HOPPER:
 TONER SUPPLY:S:ASS'Y

U005 S011
D1943677
 COVER:GEAR:TONER BOTTL
 E:ASS'Y

U005 S008
D0A53441
 CASE:TONER HOPPER:TON
 ER SUPPLY:COLOR:ASS'Y

U005 S012
D0A53546
 TONER BANK:ASS'Y

U005 S007
D0A53441
 CASE:TONER HOPPER:TON
 ER SUPPLY:COLOR:ASS'Y

U005 S010
D0A53546
 TONER BANK:ASS'Y



U005 S005
D0AL3458
 DECAL:TCRU:5ST:ASS'Y



U005 S003
D0A53429
 CASE:TONER SUPPLY:K:ASS
 'Y



U005 S004
D0A53450
 PUMP UNIT:TONER SUPPLY:
 ASS'Y

U001	U002	U003	U004	U005	U006	U007	U008	U009	U010	U011	U012	U013	U014	U015	U016	U017	U018	U019	U020
------	------	------	------	------	------	------	------	------	------	------	------	------	------	------	------	------	------	------	------

U005.TONER SUPPLY

U005 S014
D0A53546
TONER BANK:ASS'Y

U005 S015
D1943677
COVER:GEAR:TONER BOTTL
E:ASS'Y

U005 S013
D1943677
COVER:GEAR:TONER BOTTL
E:ASS'Y

U005 S021
D0A53441
CASE:TONER HOPPER:TON
ER SUPPLY:COLOR:ASS'Y

U005 S017
D1943677
COVER:GEAR:TONER BOTTL
E:ASS'Y

U005 S020
D0A53441
CASE:TONER HOPPER:TON
ER SUPPLY:COLOR:ASS'Y

U005 S016
D0A53546
TONER BANK:ASS'Y

U005 S019
D0A53441
CASE:TONER HOPPER:TON
ER SUPPLY:COLOR:ASS'Y

U005 S018
D2033521
(Pro C7200SX/C7210SX/C720
0X/C7210X):DRIVE UNIT:TON
ER BOTTLE:5ST:ASS'Y



U005 S024
D0AL3458
DECAL:TCRU:5ST:ASS'Y



U005 S022
D0A53429
CASE:TONER SUPPLY:K:ASS
'Y



U005 S023
D0A53450
PUMP UNIT:TONER SUPPLY:
ASS'Y

U001	U002	U003	U004	U005	U006	U007	U008	U009	U010	U011	U012	U013	U014	U015	U016	U017	U018	U019	U020
------	------	------	------	------	------	------	------	------	------	------	------	------	------	------	------	------	------	------	------

U005.TONER SUPPLY

U005 S031
D0A53546
TONER BANK:ASS'Y

U005 S029
D0A53546
TONER BANK:ASS'Y

U005 S032
D1943677
COVER:GEAR:TONER BOTTL
E:ASS'Y

U005 S033
D1943640
FEELER:SENSOR:ON OFF D
ETECTOR:TONER BANK:ASS'
Y

U005 S030
D1943677
COVER:GEAR:TONER BOTTL
E:ASS'Y

U005 S035
D0A53763
(Pro C7200S/C7210S/C7200S
L/C7200/C7200e/C7210):INNE
R COVER:TONER SUPPLY:4
ST:ASS'Y

U005 S028
D1943677
COVER:GEAR:TONER BOTTL
E:ASS'Y

U005 S034
D1943655
INNER COVER:TONER BANK:
ASS'Y

U005 S026
D1943677
COVER:GEAR:TONER BOTTL
E:ASS'Y

U005 S036
D0A53760
(Pro C7200S/C7210S/C7200S
L/C7200/C7200e/C7210):INNE
R COVER:DUMMY:5ST:TONE
R SUPPLY:ASS'Y

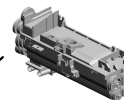
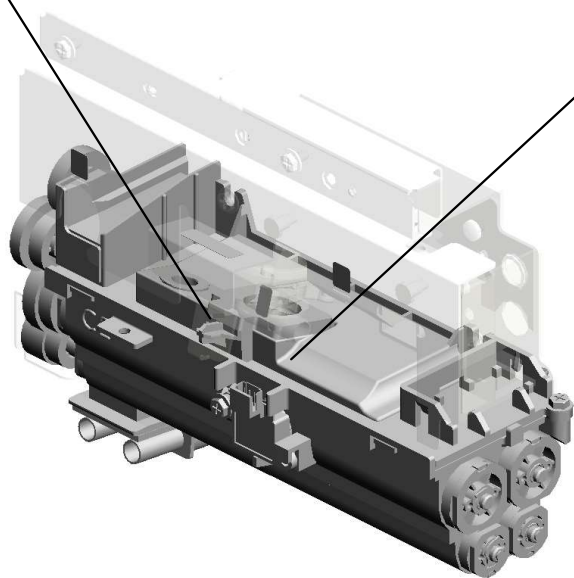
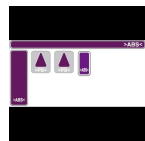
U005 S027
D0A53546
TONER BANK:ASS'Y

U005 S025
D0A53546
TONER BANK:ASS'Y

U001	U002	U003	U004	U005	U006	U007	U008	U009	U010	U011	U012	U013	U014	U015	U016	U017	U018	U019	U020
------	------	------	------	------	------	------	------	------	------	------	------	------	------	------	------	------	------	------	------

U005_S009.(Pro C7200SX/C7210SX/C7200X/C7210X):TONER HOPPER:TONER SUPPLY:

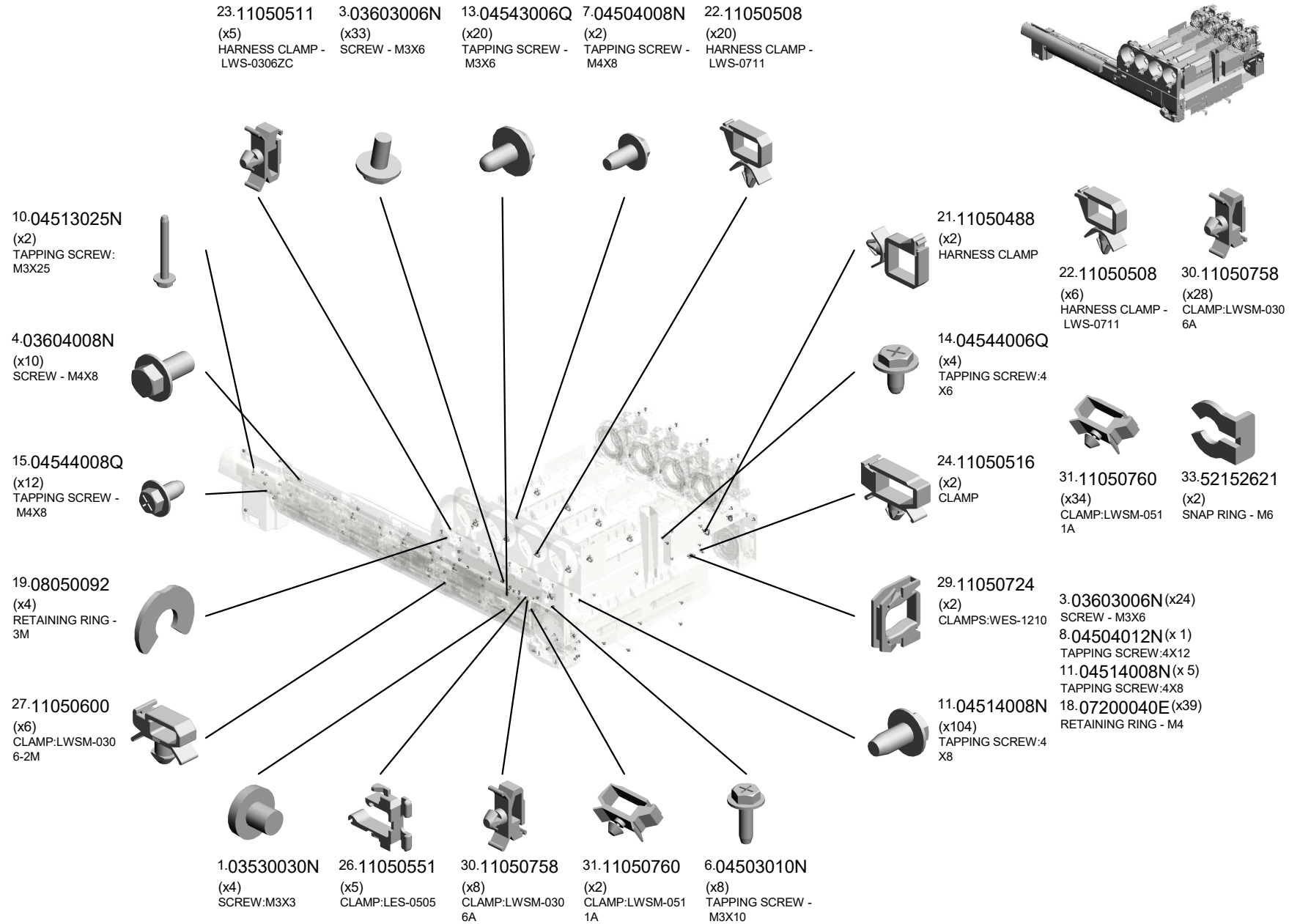
U005 S009 S002
D0AL3458
DECAL:TCRU:5ST:ASS'Y



U005 S009 S001
D0AL3429
(Pro C7200SX/C7210SX/C7200X/C7210X);CASE:TONER SUPPLY:S:ASS'Y

U001	U002	U003	U004	U005	U006	U007	U008	U009	U010	U011	U012	U013	U014	U015	U016	U017	U018	U019	U020
------	------	------	------	-------------	------	------	------	------	------	------	------	------	------	------	------	------	------	------	------

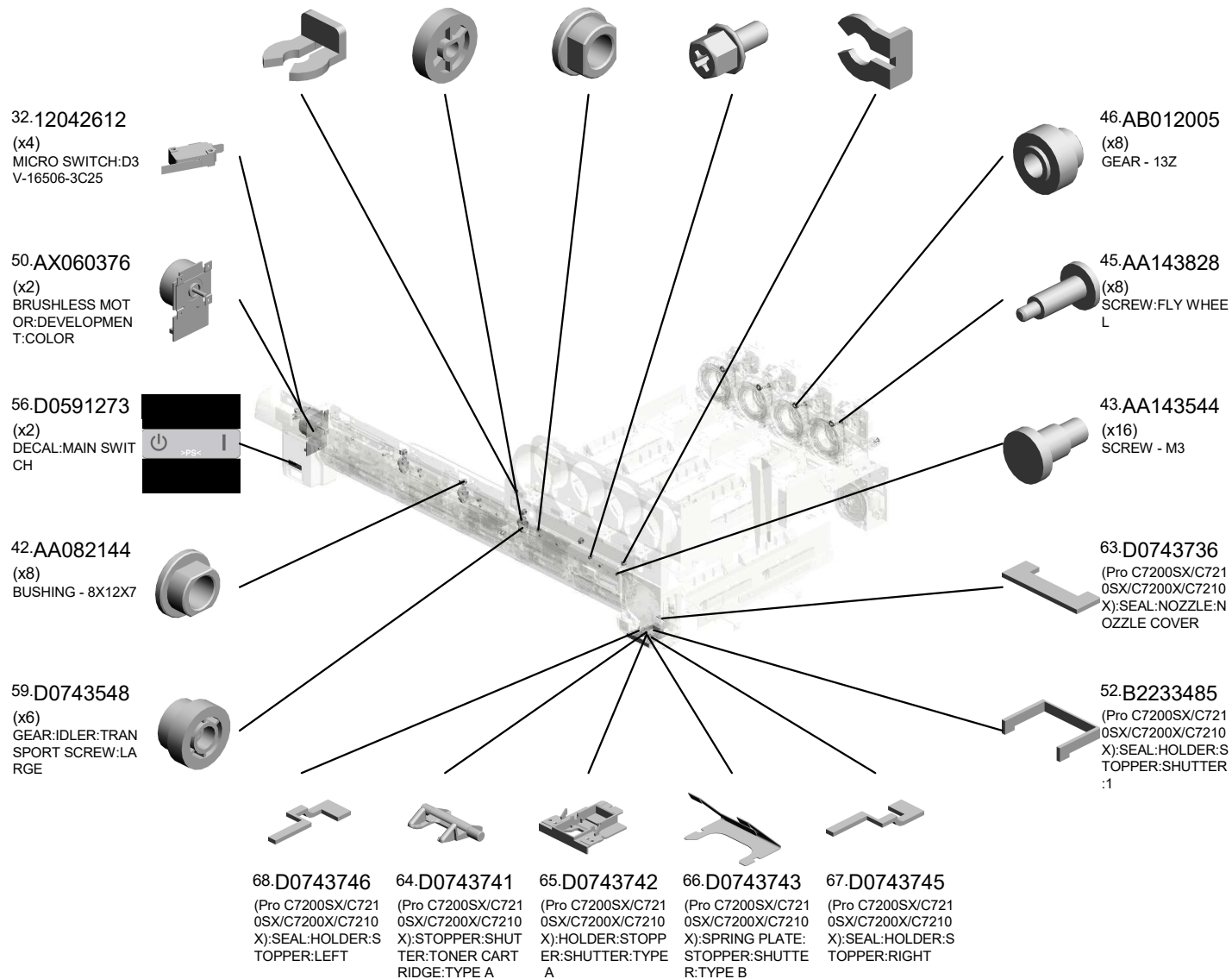
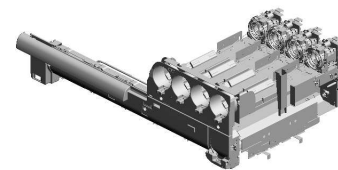
U005 TONER SUPPLY



U001	U002	U003	U004	U005	U006	U007	U008	U009	U010	U011	U012	U013	U014	U015	U016	U017	U018	U019	U020
------	------	------	------	------	------	------	------	------	------	------	------	------	------	------	------	------	------	------	------

U005 TONER SUPPLY

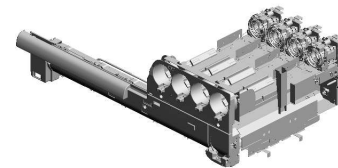
- 34.54472681 (x8) SNAP RING
- 58.D0743547 (x6) GEAR:DRIVE:TONE R SUPPLY UNIT
- 41.AA082101 (x12) BUSHING - 6X10X6
- 53.B2342390 (x8) FLANGED HEXAGONAL HEAD BOLT:M 4X8
- 33.52152621 (x8) SNAP RING - M6



U001	U002	U003	U004	U005	U006	U007	U008	U009	U010	U011	U012	U013	U014	U015	U016	U017	U018	U019	U020
------	------	------	------	------	------	------	------	------	------	------	------	------	------	------	------	------	------	------	------

U005 TONER SUPPLY

- 78.D0A53417 (x3) GEAR:CLUTCH:DRIVE
- 86.D0A53499 (x9) ELECTROMAGNETIC CLUTCH:0.5NM:Z 31:DIA6
- 80.D0A53419 (x3) SHAFT:CLUTCH:DRIVE:KS
- 91.D0A53697 (Pro C7200S/C7210 S/C7200SL/C7200/C7200e/C7210);GE AR:TONER BANK:RIC-SPT:Y:ASSY
- 90.D0A53692 (Pro C7200S/C7210 S/C7200SL/C7200/C7200e/C7210);GE AR:TONER BANK:RIC-SPT:M:ASSY



- 74.D0743829 (x2) DECAL:POSITIONING DISPLAY:TCRUNG



- 77.D0A53409 (x10) GEAR:DRIVE:CLUTCH



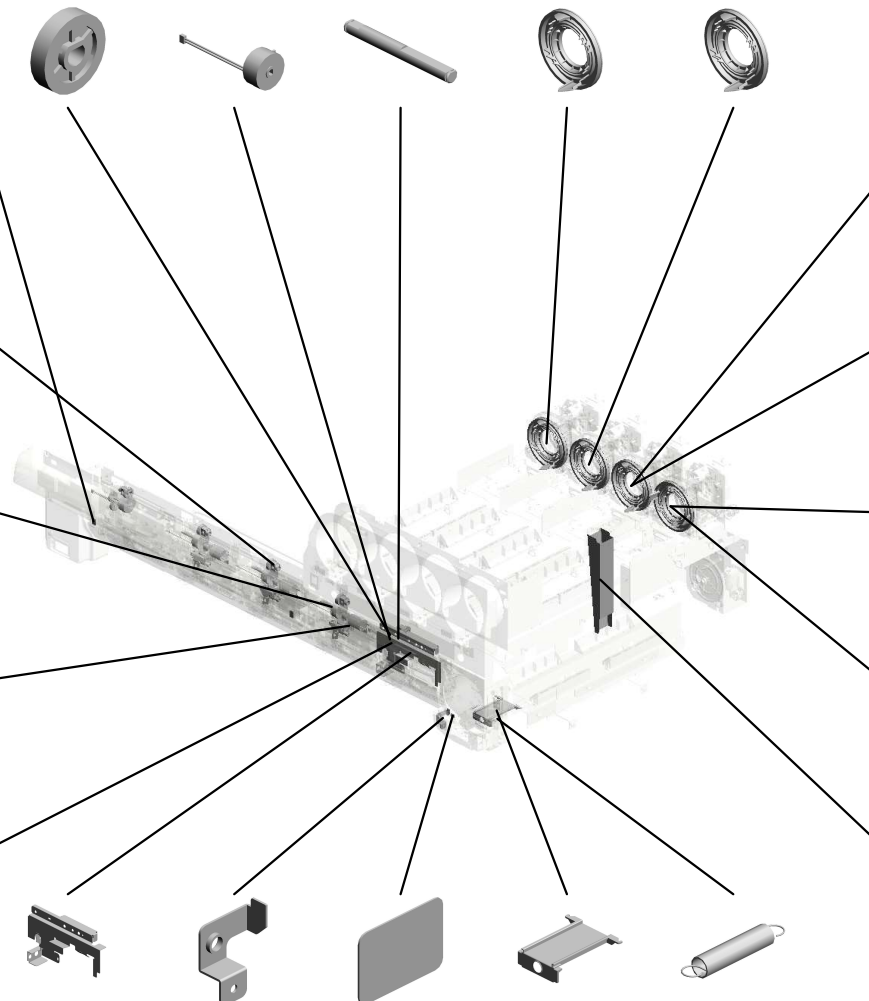
- 81.D0A53421 (x6) SHAFT:CLUTCH:DRIVE:COLOR



- 85.D0A53450 (x6) PUMP UNIT:TONER SUPPLY:ASSY



- 79.D0A53418 (x3) GEAR:CLUTCH:IDLER



- 82.D0A53427 (x2) COVER:TONER SUPPLY:FRONT:KS:ASSY
- 72.D0743766 (Pro C7200SX/C7210SX/C7200X/C7210X);PLATE:COIL SPRING
- 69.D0743756 SEAL:BLOCK LIGHT:LEVER
- 71.D0743763 (Pro C7200SX/C7210SX/C7200X/C7210X);NOZZLE COVER:TONER SUPPLY SUB-UNIT
- 73.D0743768 (x2) (Pro C7200SX/C7210SX/C7200X/C7210X);TENSION SPRING:SHUTTER:TONER SUPPLY UNIT

- 89.D0A53687 (Pro C7200S/C7210 S/C7200SL/C7200/C7200e/C7210);GE AR:TONER BANK:RIC-SPT:C:ASSY

- 93.D0A53737 (Pro C7200SX/C7210SX/C7200X/C7210X);GEAR:TONER BANK:RIC:C:ASSY

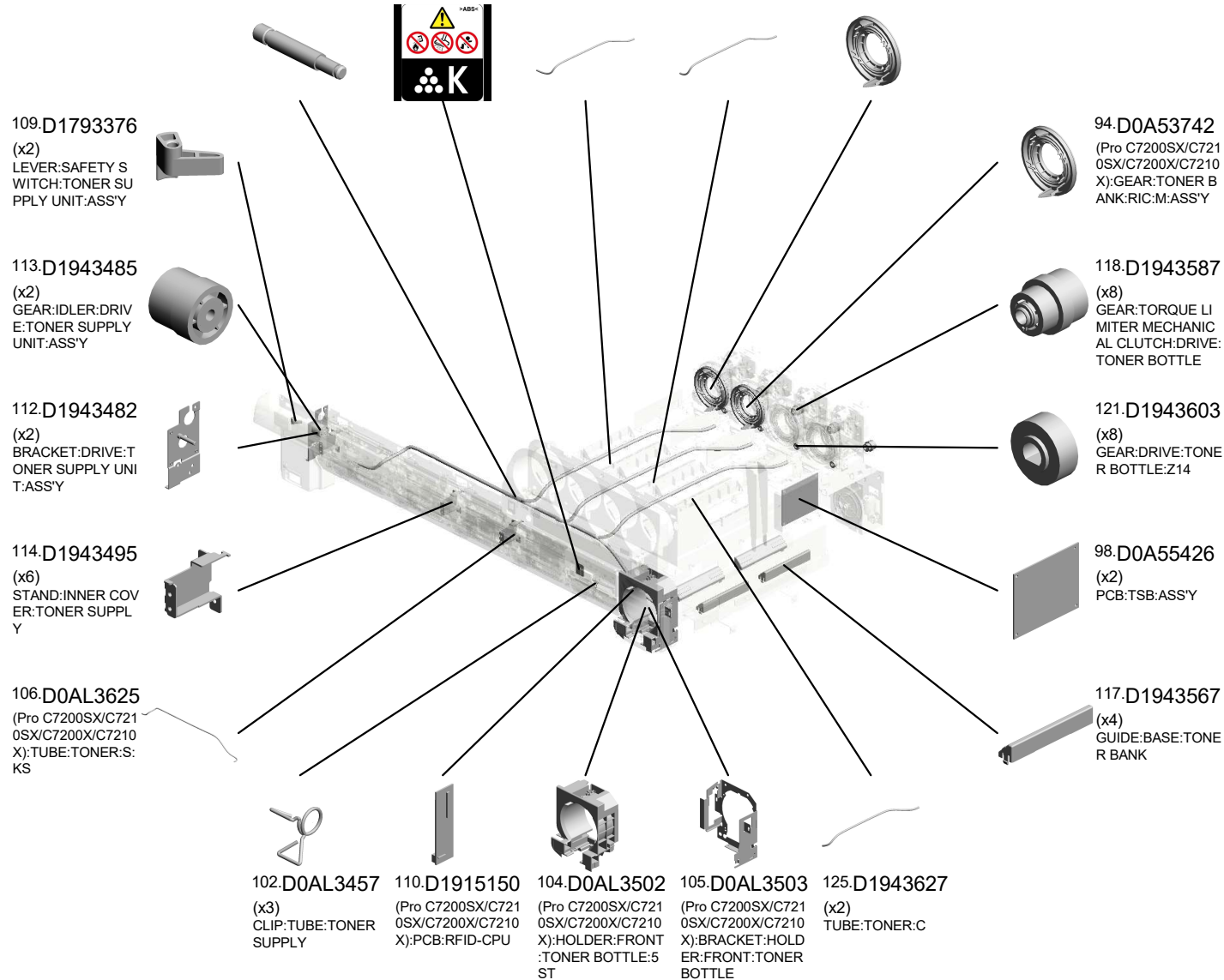
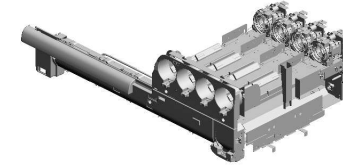
- 88.D0A53682 (Pro C7200S/C7210 S/C7200SL/C7200/C7200e/C7210);GE AR:TONER BANK:RIC-SPT:K:ASSY

- 92.D0A53732 (Pro C7200SX/C7210SX/C7200X/C7210X);GEAR:TONER BANK:RIC:K:ASSY

- 76.D0A51161 (x2) COVER:HARNESS:TONER SUPPLY

U005 TONER SUPPLY

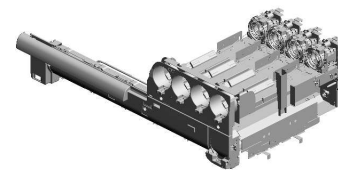
- 131.D1943642 (x2) SHAFT:FEELER:SE NSOR:ON OFF DETECTOR:TONER BANK
- 107.D0AL3725 (x2) DECAL:TONER HOLDER:PCB:TCRU:BK
- 127.D1943629 (x2) TUBE:TONER:Y:REAR
- 126.D1943628 (x2) TUBE:TONER:M:REAR
- 95.D0A53747 (Pro C7200SX/C7210SX/C7200X/C7210X);GEAR:TONER BANK:RIC:Y:ASSY



U001	U002	U003	U004	U005	U006	U007	U008	U009	U010	U011	U012	U013	U014	U015	U016	U017	U018	U019	U020
------	------	------	------	------	------	------	------	------	------	------	------	------	------	------	------	------	------	------	------

U005 TONER SUPPLY

- 132.D1943643 (x2) TORSION SPRING: FEELER:ON OFF DETECTOR
- 165.GW020022 (x3) PHOTOINTERRUPTOR:LG2A24BL1
- 160.D2033531 (Pro C7200SX/C7210SX/C7200X/C7210X);DECAL:OPERATE:TONER BOTTLE:5ST
- 152.D2033509 (Pro C7200SX/C7210SX/C7200X/C7210X);INSULATING SHEET:PCB:RFID:CPU5ST
- 142.D1943726 (x8) SEAL:GEAR:DRIVE:TONER BOTTLE



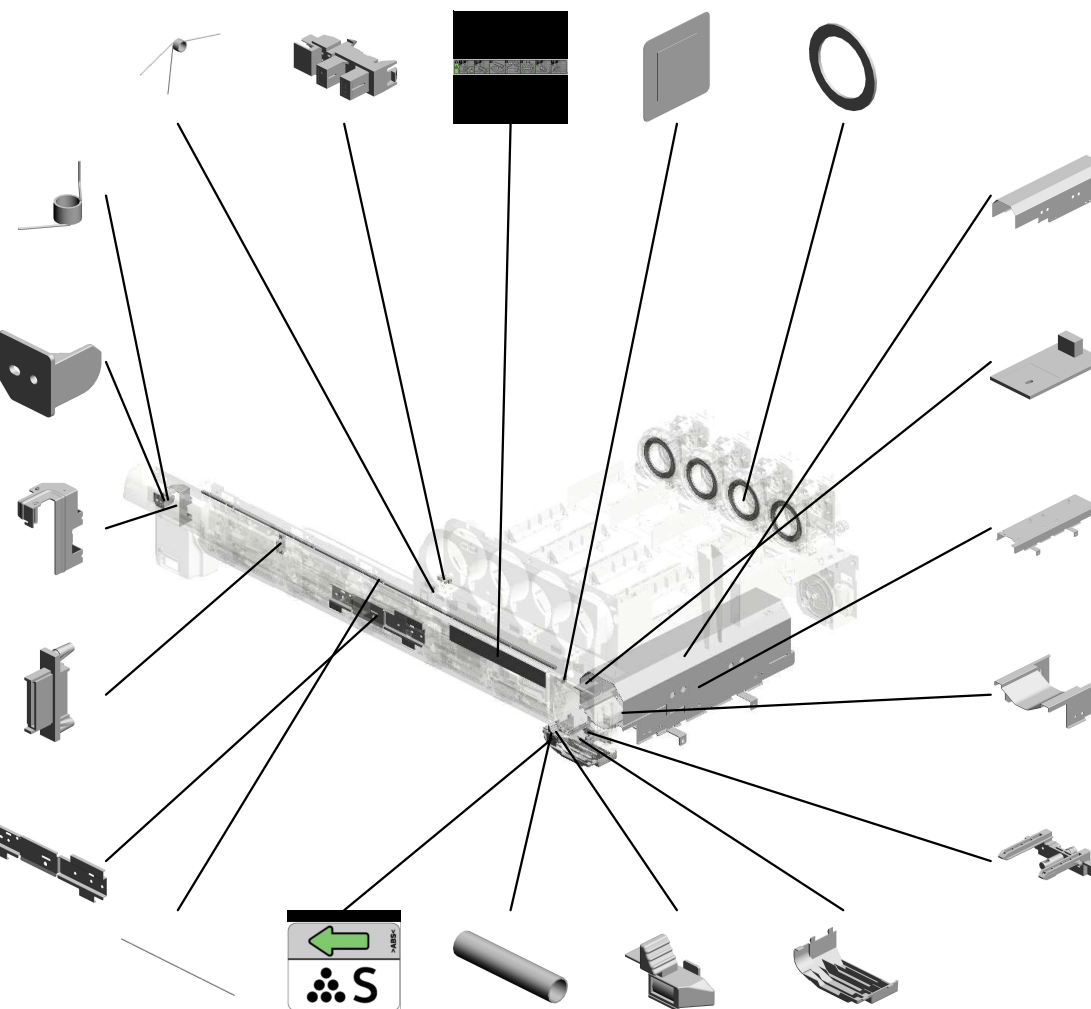
- 146.D1943765 (x2) TORSION SPRING: SAFETY SWITCH:TONER SUPPLY UNIT

- 164.D3551333 SHIELDING PLATE: SAFETY SWITCH:DOOR

- 148.D1943768 (x2) BRACKET:SAFETY SWITCH:INNER COVER:TONER SUPPLY

- 173.11036080 CONNECTOR:14R-RIZ-K4GG-FL(LF)(SN)

- 147.D1943767 MAGNET CATCH PLATE:FRONT UPPER



- 155.D2033516 (Pro C7200SX/C7210SX/C7200X/C7210X);GUIDE:UPPER:TONER BOTTLE:5ST

- 168.D0A55517 (Pro C7200SX/C7210SX/C7200X/C7210X);PCB:RFID-AFE:201812-04 X/O

- 153.D2033512 (Pro C7200SX/C7210SX/C7200X/C7210X);GUIDE:TONER BOTTLE:5ST

- 154.D2033515 (Pro C7200SX/C7210SX/C7200X/C7210X);GUIDE:FRONT:TONER BOTTLE:5ST

- 150.D2033507 (Pro C7200SX/C7210SX/C7200X/C7210X);NOZZLE:TONER SUPPLY

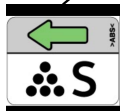
- 174.D0A53408 (x2) SHAFT:DRIVE:TONER SUPPLY

- 159.D2033530 (Pro C7200SX/C7210SX/C7200X/C7210X);DECAL:COLOR DISPLAY:TONER BANK:S

- 161.D2033540 (Pro C7200SX/C7210SX/C7200X/C7210X);COIL SPRING:LEVER:TONER SUPPLY UNIT

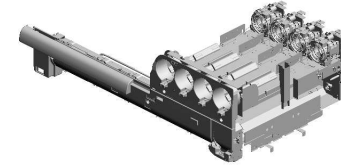
- 149.D2033505 (Pro C7200SX/C7210SX/C7200X/C7210X);LEVER:TONER BOTTLE:5ST

- 151.D2033508 (Pro C7200SX/C7210SX/C7200X/C7210X);COVER:HOLDER:FRONT:TONER BOTTLE:5ST

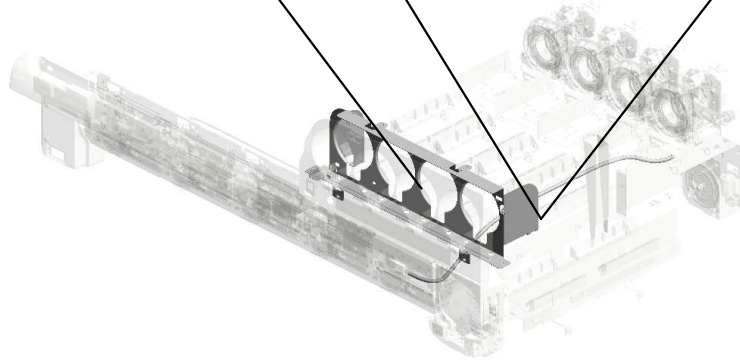


U005 TONER SUPPLY

177:D1943653 178:D0A53636
(x2) TUBE:BK:4ST
BRACKET:INNER C
OVER:TONER BAN
K:PEEN



179:D0AL3626
TUBE:TONER:BK:K
S



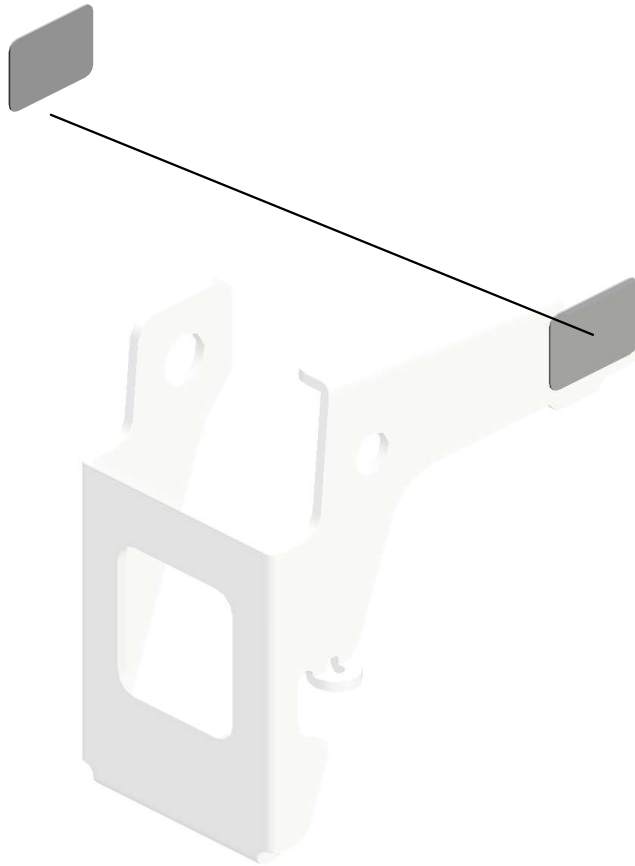
U001	U002	U003	U004	U005	U006	U007	U008	U009	U010	U011	U012	U013	U014	U015	U016	U017	U018	U019	U020
------	------	------	------	-------------	------	------	------	------	------	------	------	------	------	------	------	------	------	------	------

U005_S001
FEELER:SENSOR:ON OFF DETECTOR:TONER BANK:ASS'Y

69.D0743756
SEAL:BLOCK LIGHT
T:LEVER



130.D1943640
FEELER:SENSOR:
ON OFF DETECTO
R:TONER BANK:AS
S'Y



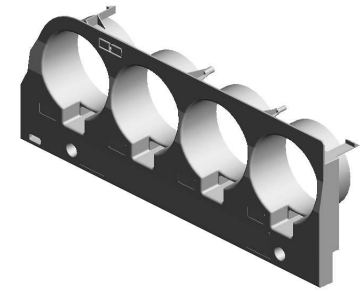
U001	U002	U003	U004	U005	U006	U007	U008	U009	U010	U011	U012	U013	U014	U015	U016	U017	U018	U019	U020
------	------	------	------	-------------	------	------	------	------	------	------	------	------	------	------	------	------	------	------	------

U005_S002
INNER COVER:TONER BANK:ASS'Y

70.D0743757
MAGNET CATCH P
LEET:TONER SUPP
LY SUB-UNIT:UPPE
R

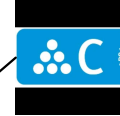
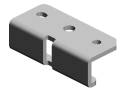
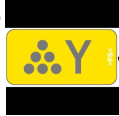
7.04504008N
TAPPING SCREW -
M4X8

136.D1943662
DECAL:COLORED
DISPLAY:TONER B
ANK:M

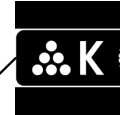


133.D1943655
INNER COVER:TO
NER BANK:ASS'Y

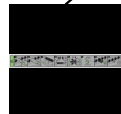
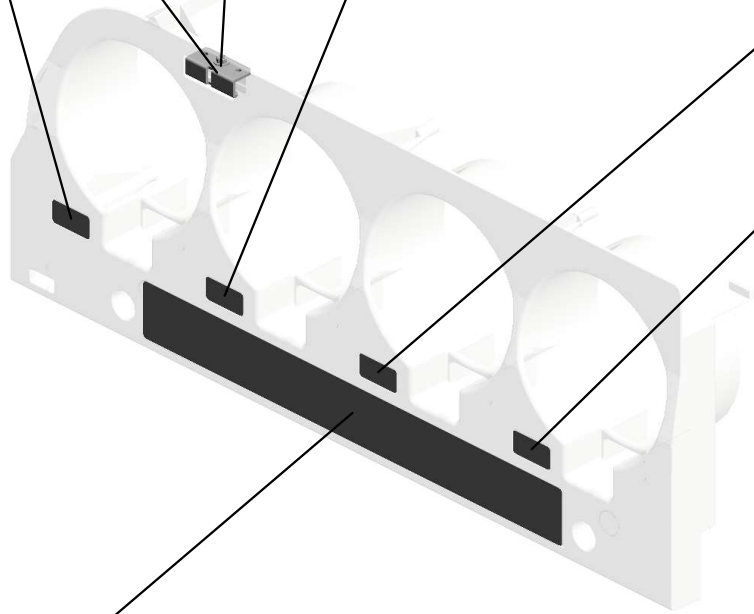
137.D1943663
DECAL:COLORED
DISPLAY:TONER B
ANK:Y



135.D1943661
DECAL:COLORED
DISPLAY:TONER B
ANK:C



134.D1943660
DECAL:COLORED
DISPLAY:TONER B
ANK:K



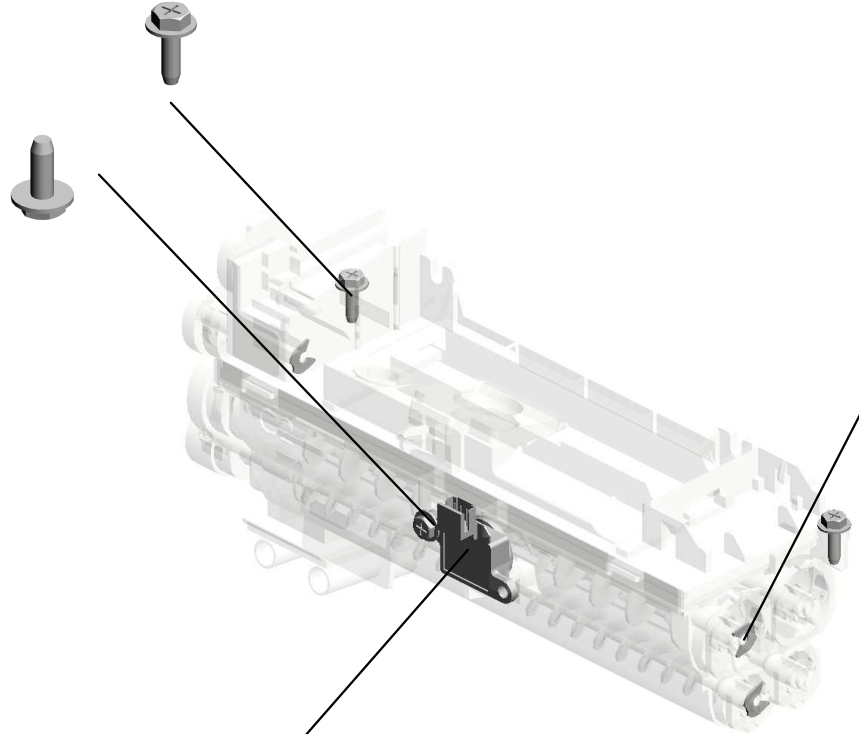
138.D1943664
DECAL:OPERATE:T
ONER BOTTLE:4C

U001	U002	U003	U004	U005	U006	U007	U008	U009	U010	U011	U012	U013	U014	U015	U016	U017	U018	U019	U020
------	------	------	------	------	------	------	------	------	------	------	------	------	------	------	------	------	------	------	------

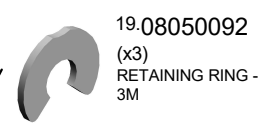
U005_S003
CASE:TONER SUPPLY:K:ASS'Y

6.04503010N
(x2)
TAPPING SCREW -
M3X10

5.04503008N
TAPPING SCREW -
M3X8



166.GW230008
TONER END SENS
OR

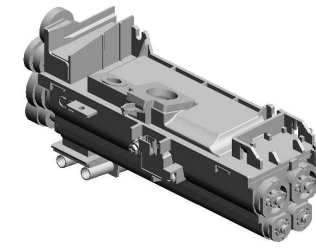


19.08050092
(x3)
RETAINING RING -
3M



20.08050104
(x2)
RETAINING RINGS-
E:SILENCER:DIA4

18.07200040E(x 2)
RETAINING RING - M4

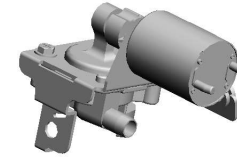


83.D0A53429
CASE:TONER SUP
PLY:K:ASS'Y

U001	U002	U003	U004	U005	U006	U007	U008	U009	U010	U011	U012	U013	U014	U015	U016	U017	U018	U019	U020
------	------	------	------	-------------	------	------	------	------	------	------	------	------	------	------	------	------	------	------	------

U005_S004
PUMP UNIT:TONER SUPPLY:ASS'Y

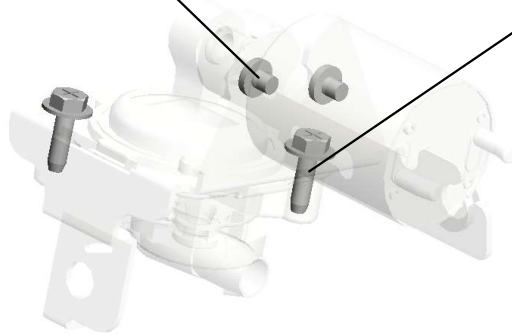
1.03530030N
(x2)
SCREW:M3X3



85.D0A53450
PUMP UNIT:TONER
SUPPLY:ASS'Y



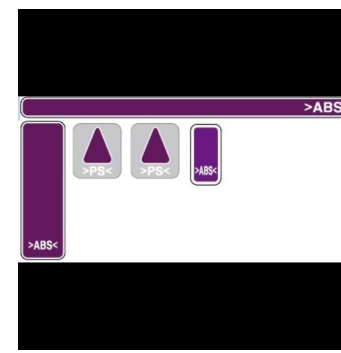
6.04503010N
(x2)
TAPPING SCREW -
M3X10



U001	U002	U003	U004	U005	U006	U007	U008	U009	U010	U011	U012	U013	U014	U015	U016	U017	U018	U019	U020
------	------	------	------	------	------	------	------	------	------	------	------	------	------	------	------	------	------	------	------

U005_S005
DECAL:TCRU:5ST:ASS'Y

111.D1942165
DECAL:GRIP



103.D0AL3458
DECAL:TCRU:5ST:
ASS'Y

162.D2033710
DECAL:TCRU:PUM
P:5ST



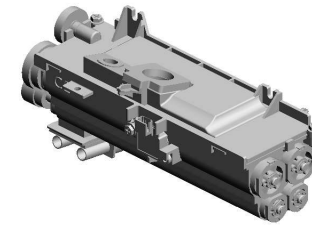
75.D0746497
(x2)
DECAL:POSITIONI
NG DISPLAY:TCRU



57.D0742542
DECAL:GRIP

U001	U002	U003	U004	U005	U006	U007	U008	U009	U010	U011	U012	U013	U014	U015	U016	U017	U018	U019	U020
------	------	------	------	------	------	------	------	------	------	------	------	------	------	------	------	------	------	------	------

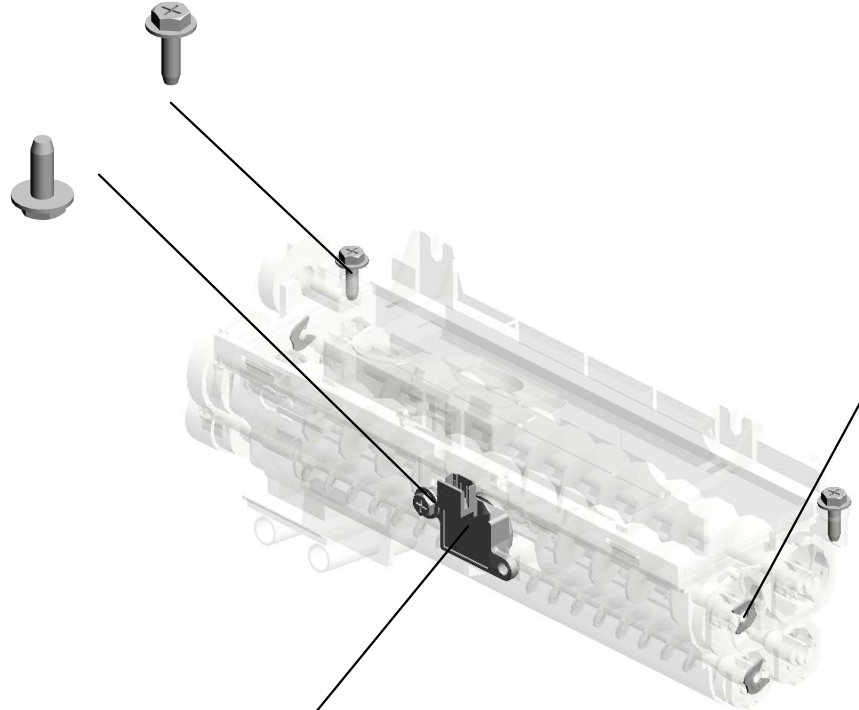
U005_S006
CASE:TONER HOPPER:TONER SUPPLY:COLOR:ASS'Y



84.D0A53441
CASE:TONER HOP
PER:TONER SUPP
LY:COLOR:ASS'Y

6.04503010N
(x2)
TAPPING SCREW -
M3X10

5.04503008N
TAPPING SCREW -
M3X8



19.08050092
(x3)
RETAINING RING -
3M

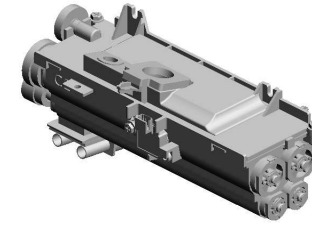
20.08050104
(x2)
RETAINING RINGS-
E:SILENCER:DIA4

18.07200040E(x 1)
RETAINING RING - M4

166.GW230008
TONER END SENS
OR

U001	U002	U003	U004	U005	U006	U007	U008	U009	U010	U011	U012	U013	U014	U015	U016	U017	U018	U019	U020
------	------	------	------	-------------	------	------	------	------	------	------	------	------	------	------	------	------	------	------	------

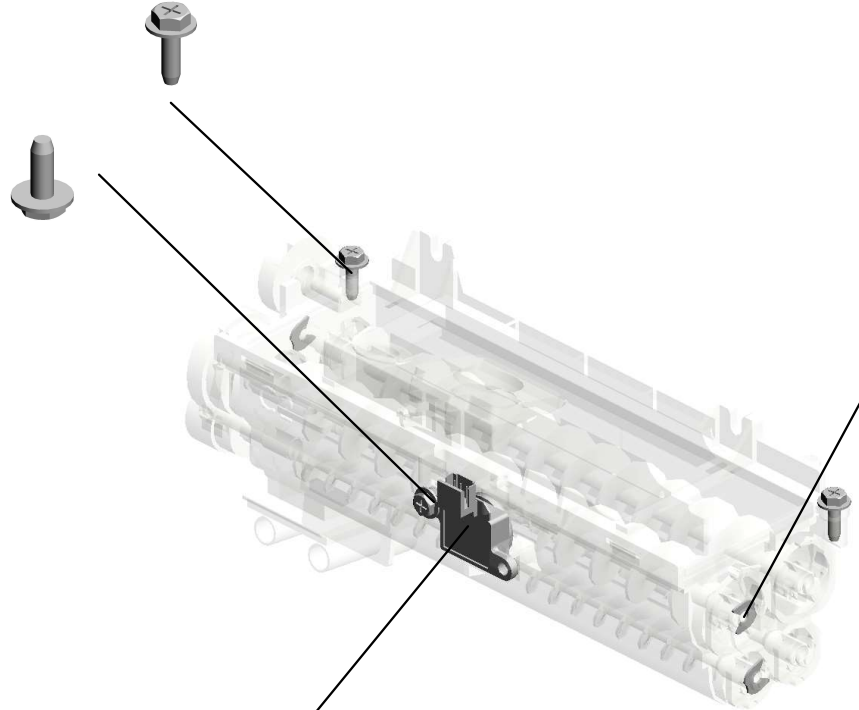
U005_S007
CASE:TONER HOPPER:TONER SUPPLY:COLOR:ASS'Y



84.D0A53441
CASE:TONER HOP
PER:TONER SUPP
LY:COLOR:ASS'Y

6.04503010N
(x2)
TAPPING SCREW -
M3X10

5.04503008N
TAPPING SCREW -
M3X8



19.08050092
(x3)
RETAINING RING -
3M

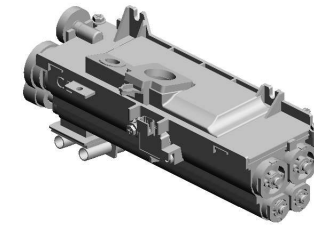
20.08050104
(x2)
RETAINING RINGS-
E:SILENCER:DIA4

18.07200040E(x 1)
RETAINING RING - M4

166.GW230008
TONER END SENS
OR

U001	U002	U003	U004	U005	U006	U007	U008	U009	U010	U011	U012	U013	U014	U015	U016	U017	U018	U019	U020
------	------	------	------	-------------	------	------	------	------	------	------	------	------	------	------	------	------	------	------	------

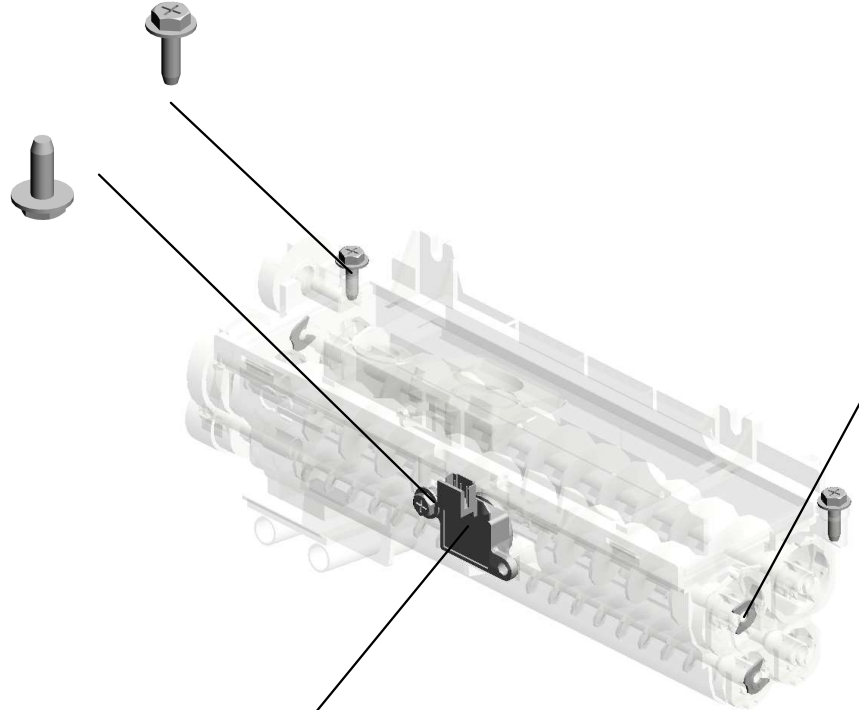
U005_S008
CASE:TONER HOPPER:TONER SUPPLY:COLOR:ASS'Y



84.D0A53441
CASE:TONER HOP
PER:TONER SUPP
LY:COLOR:ASS'Y

6.04503010N
(x2)
TAPPING SCREW -
M3X10

5.04503008N
TAPPING SCREW -
M3X8



19.08050092
(x3)
RETAINING RING -
3M

20.08050104
(x2)
RETAINING RINGS-
E:SILENCER:DIA4

18.07200040E(x 1)
RETAINING RING - M4

166.GW230008
TONER END SENS
OR

U001	U002	U003	U004	U005	U006	U007	U008	U009	U010	U011	U012	U013	U014	U015	U016	U017	U018	U019	U020
------	------	------	------	-------------	------	------	------	------	------	------	------	------	------	------	------	------	------	------	------

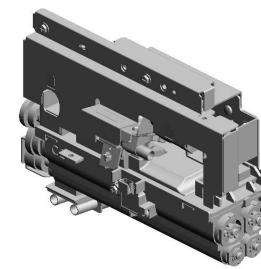
U005_S009

(Pro C7200SX/C7210SX/C7200X/C7210X):TONER HOPPER:TONER SUPPLY:S:ASS'Y

13.04543006Q (x4)
TAPPING SCREW - M3X6

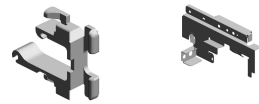
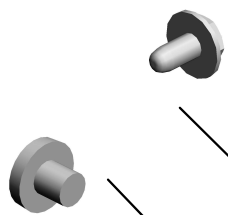
26.11050551 (x2)
CLAMP:LES-0505

82.D0A53427
COVER:TONER SUPPLY:FRONT:KS:ASS'Y

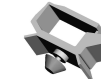
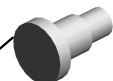


100.D0AL3428
(Pro C7200SX/C7210SX/C7200X/C7210X):TONER HOPPER:TONER SUPPLY:S:ASS'Y

1.03530030N (x2)
SCREW:M3X3



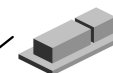
43.AA143544 (x2)
SCREW - M3



30.11050758 (x4)
CLAMP:LWSM-0306A

31.11050760 (x2)
CLAMP:LWSM-0511A

99.D0A55530 (Pro C7200SX/C7210SX/C7200X/C7210X):PCB.DSW

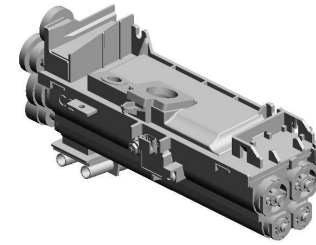


85.D0A53450
PUMP UNIT:TONER SUPPLY:ASS'Y



U001	U002	U003	U004	U005	U006	U007	U008	U009	U010	U011	U012	U013	U014	U015	U016	U017	U018	U019	U020
------	------	------	------	------	------	------	------	------	------	------	------	------	------	------	------	------	------	------	------

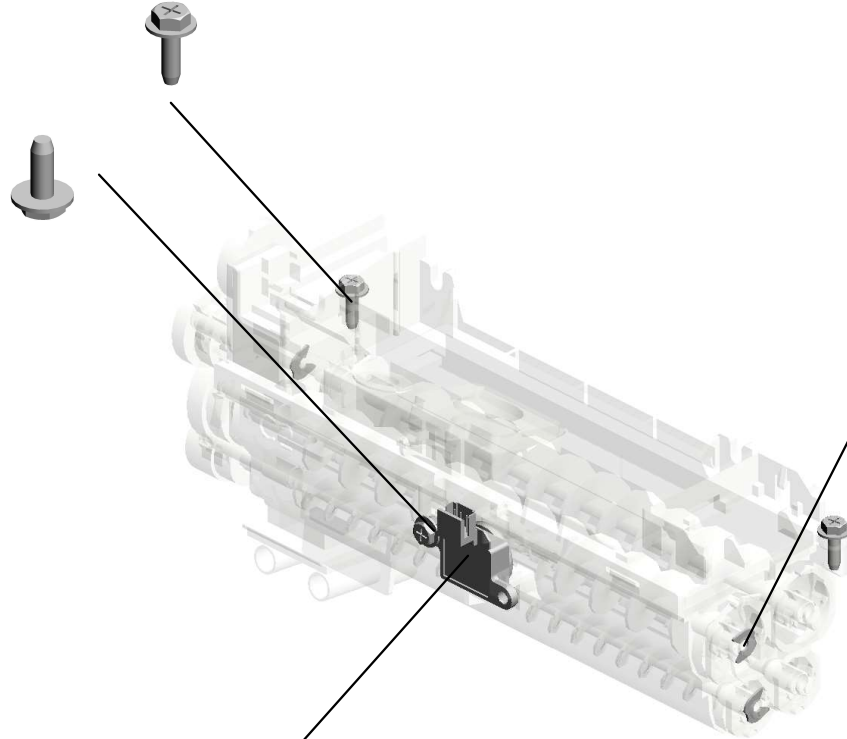
U005_S009_S001
(Pro C7200SX/C7210SX/C7200X/C7210X):CASE:TONER SUPPLY:S:ASS'Y



101.D0AL3429
(Pro C7200SX/C7210SX/C7200X/C7210X):CASE:TONER SUPPLY:S:ASS'Y

6.04503010N
(x2)
TAPPING SCREW - M3X10

5.04503008N
TAPPING SCREW - M3X8



19.08050092
(x3)
RETAINING RING - 3M

20.08050104
(x2)
RETAINING RINGS - SILENCER: DIA4

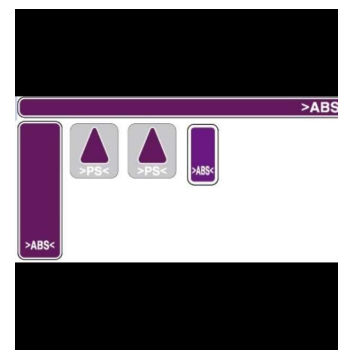
18.07200040E (x 2)
RETAINING RING - M4

166.GW230008
TONER END SENS
OR

U001	U002	U003	U004	U005	U006	U007	U008	U009	U010	U011	U012	U013	U014	U015	U016	U017	U018	U019	U020
------	------	------	------	-------------	------	------	------	------	------	------	------	------	------	------	------	------	------	------	------

U005_S009_S002
DECAL:TCRU:5ST:ASS'Y

111.D1942165
DECAL:GRIP



103.D0AL3458
DECAL:TCRU:5ST:
ASS'Y

162.D2033710
DECAL:TCRU:PUM
P:5ST



75.D0746497
(x2)
DECAL:POSITIONI
NG DISPLAY:TCRU

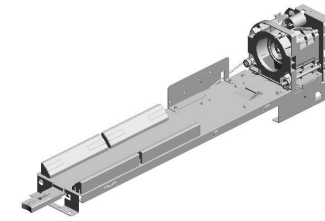


57.D0742542
DECAL:GRIP

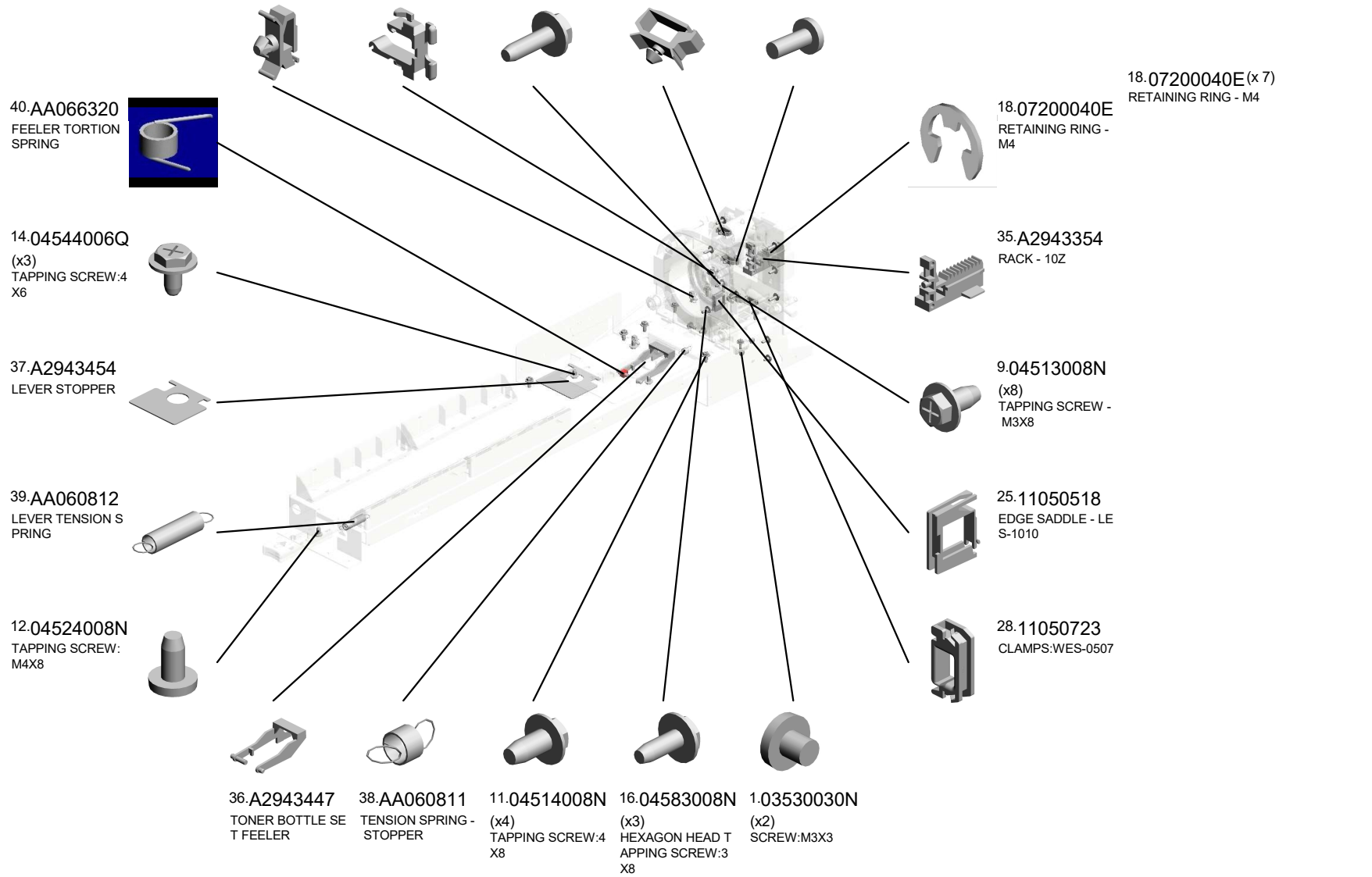
U001	U002	U003	U004	U005	U006	U007	U008	U009	U010	U011	U012	U013	U014	U015	U016	U017	U018	U019	U020
------	------	------	------	------	------	------	------	------	------	------	------	------	------	------	------	------	------	------	------

U005_S010
TONER BANK:ASS'Y

- 30.11050758 (x3) CLAMP:LWSM-030 6A
- 26.11050551 CLAMP:LES-0505
- 17.04583010N (x6) HEXAGON HEAD TAPPING SCREW:3 X10
- 31.11050760 (x3) CLAMP:LWSM-051 1A
- 2.03530080N SCREW:M3X8



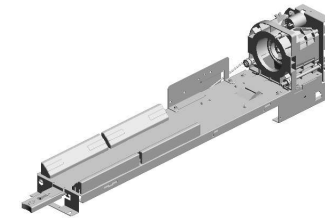
176.D0A53546
[A]
TONER BANK:ASS'
Y
201911-04 O/O



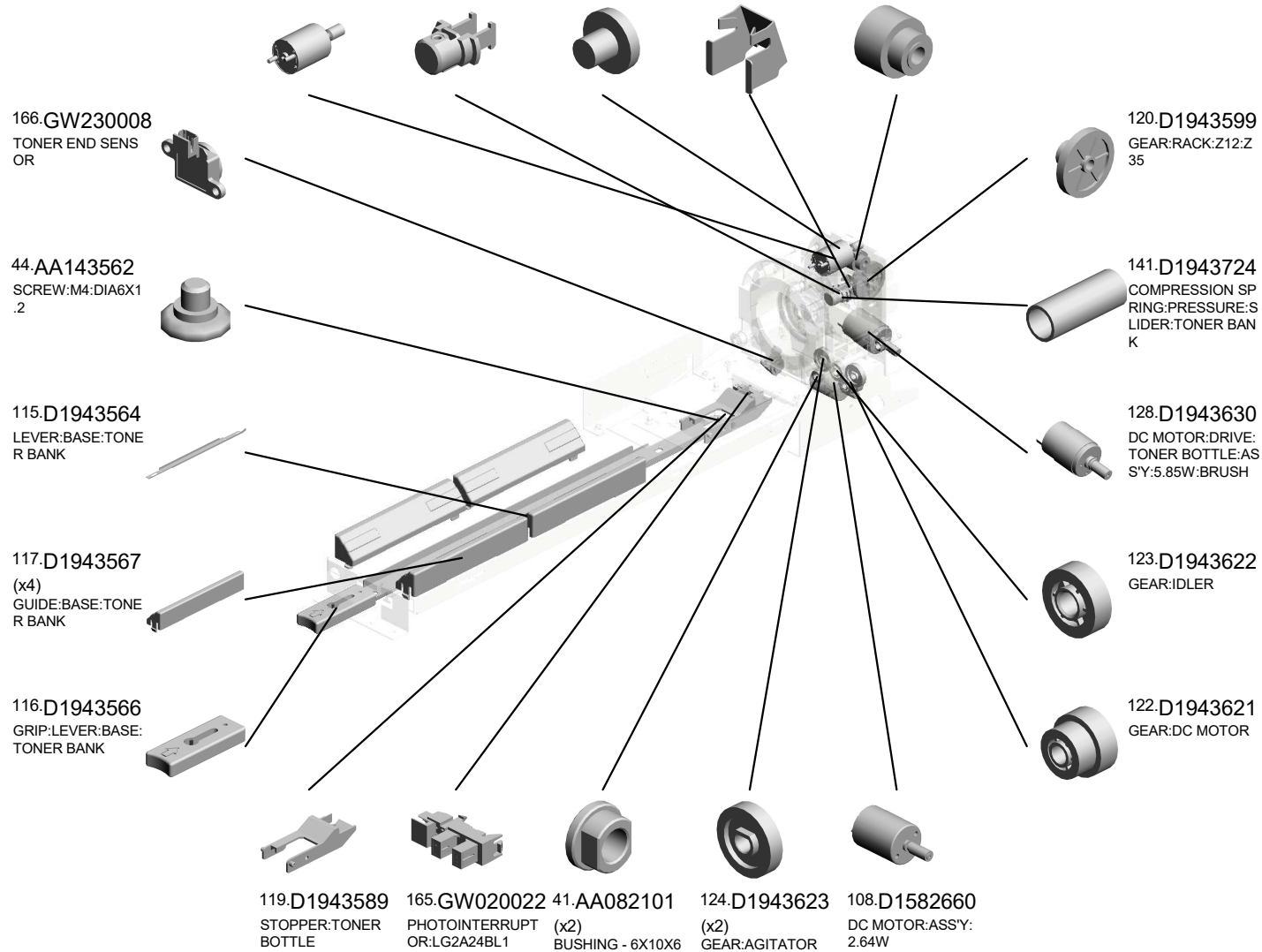
U001	U002	U003	U004	U005	U006	U007	U008	U009	U010	U011	U012	U013	U014	U015	U016	U017	U018	U019	U020
------	------	------	------	------	------	------	------	------	------	------	------	------	------	------	------	------	------	------	------

U005_S010
TONER BANK:ASS'Y

- 129.D1943632 DC MOTOR:SLIDE R:TONER BANK:ASS'Y:4.2W:BRUSH
- 54.B2343356 JOINT:CHUCK:TONER BOTTLE
- 55.D0393368 (x2) SCREW:M3X3.5
- 140.D1943713 PLATE:SHAFT:CHUCK:TONER BOTTLE
- 49.AB017515 DOUBLE GEAR - 12/23Z



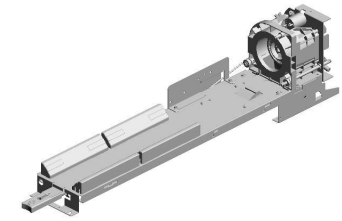
176.D0A53546
[A] TONER BANK:ASS'Y
201911-04 O/O



U001	U002	U003	U004	U005	U006	U007	U008	U009	U010	U011	U012	U013	U014	U015	U016	U017	U018	U019	U020
------	------	------	------	------	------	------	------	------	------	------	------	------	------	------	------	------	------	------	------

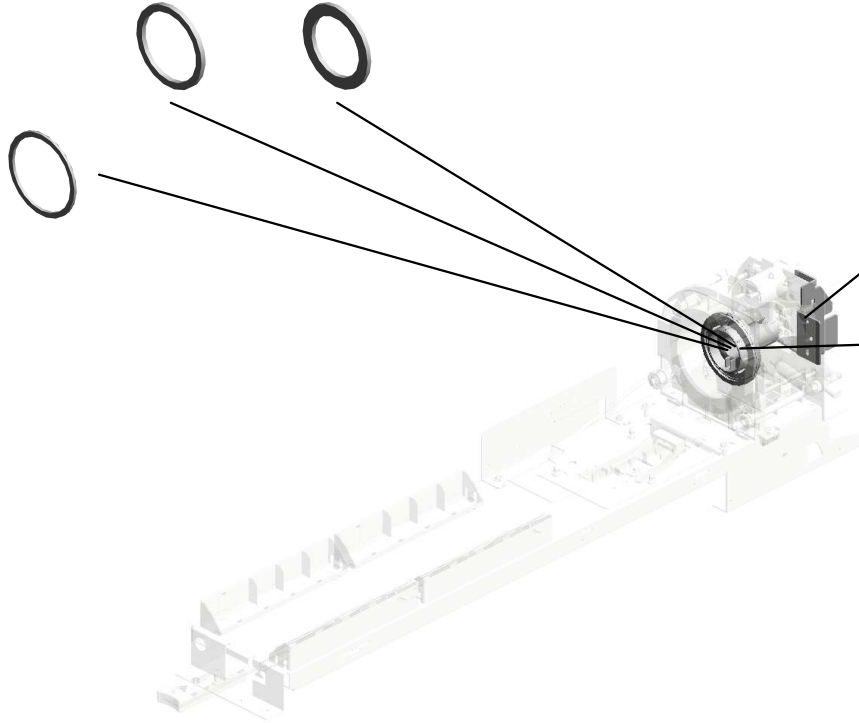
U005_S010
 TONER BANK:ASS'Y

170.D1943708 172.D0A53710
 SEAL:INNER:SLIDE SEAL:REAR:SLIDE
 R:TONER BANK R:TONER BANK:T6



176.D0A53546
 [A]
 TONER BANK:ASS'
 Y
 201911-04 O/O

171.D1943709
 SEAL:OUTER:SLID
 ER:TONER BANK



167.D0A53588
 BRACKET:RACK:S
 TOPPER



169.D1943707
 SLIDER:TONER BA
 NK



D0A53545
 [A]
 TONER BANK:ASS'
 Y
 201911-04 O/O

U001	U002	U003	U004	U005	U006	U007	U008	U009	U010	U011	U012	U013	U014	U015	U016	U017	U018	U019	U020
------	------	------	------	------	------	------	------	------	------	------	------	------	------	------	------	------	------	------	------

U005_S011
COVER:GEAR:TONER BOTTLE:ASS'Y

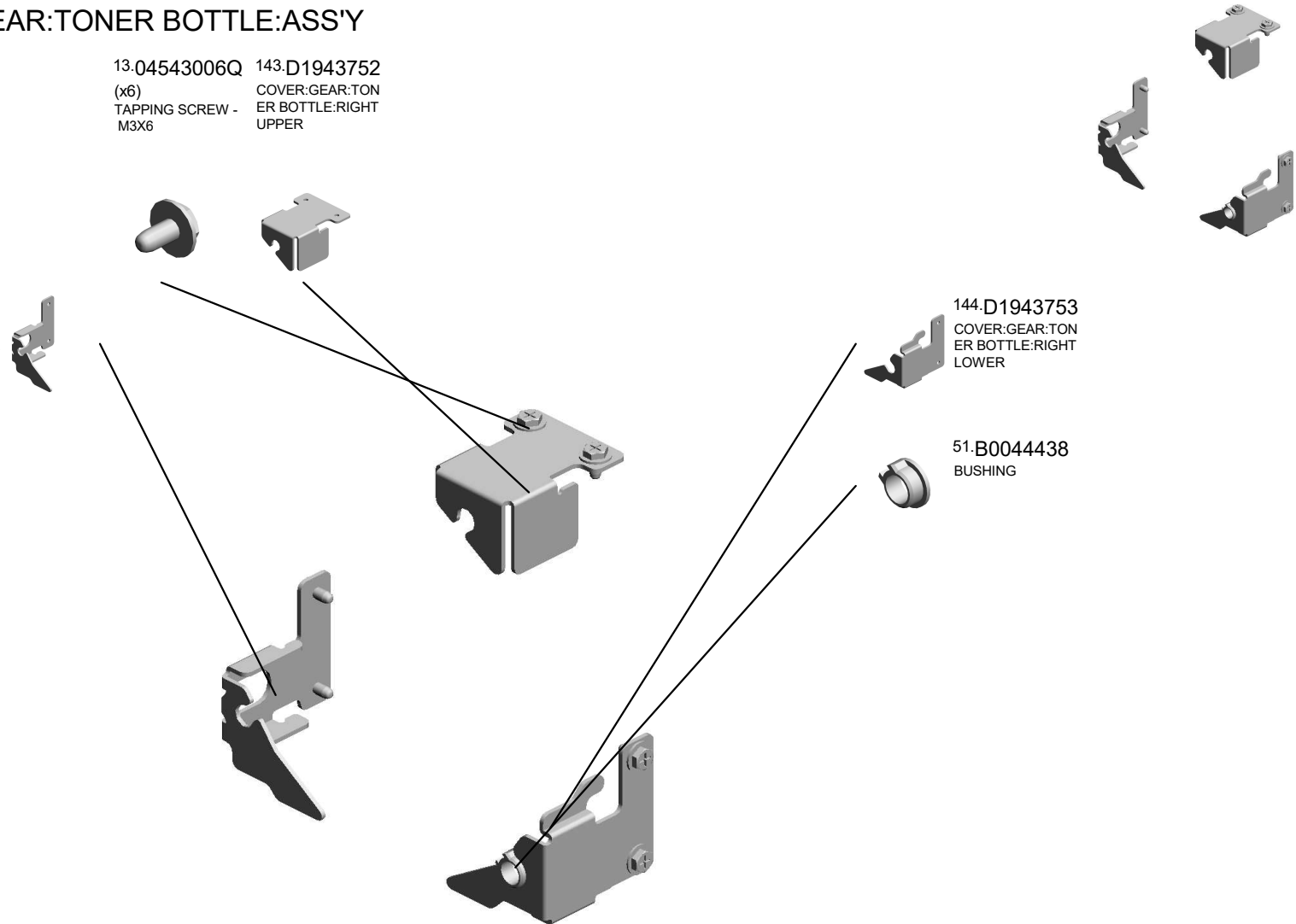
13.04543006Q 143.D1943752
(x6) COVER:GEAR:TONER BOTTLE:RIGHT UPPER
TAPPING SCREW - M3X6

139.D1943677
COVER:GEAR:TONER BOTTLE:ASS'Y

145.D1943754
COVER:GEAR:TONER BOTTLE:LEFT LOWER

144.D1943753
COVER:GEAR:TONER BOTTLE:RIGHT LOWER

51.B0044438
BUSHING



U001	U002	U003	U004	U005	U006	U007	U008	U009	U010	U011	U012	U013	U014	U015	U016	U017	U018	U019	U020
------	------	------	------	------	------	------	------	------	------	------	------	------	------	------	------	------	------	------	------

U005_S012
TONER BANK:ASS'Y

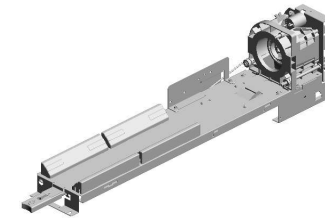
30.11050758
(x3)
CLAMP:LWSM-030
6A

26.11050551
CLAMP:LES-0505

17.04583010N
(x6)
HEXAGON HEAD T
APPING SCREW:3
X10

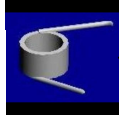
31.11050760
(x3)
CLAMP:LWSM-051
1A

2.03530080N
SCREW:M3X8



176.D0A53546
[A]
TONER BANK:ASS'
Y
201911-04 O/O

40.AA066320
FEELER TORTION
SPRING



14.04544006Q
(x3)
TAPPING SCREW:4
X6



37.A2943454
LEVER STOPPER



39.AA060812
LEVER TENSION S
PRING



12.04524008N
TAPPING SCREW:
M4X8



36.A2943447
TONER BOTTLE SE
T FEELER



38.AA060811
TENSION SPRING -
STOPPER



11.04514008N
(x4)
TAPPING SCREW:4
X8



16.04583008N
(x3)
HEXAGON HEAD T
APPING SCREW:3
X8



1.03530030N
(x2)
SCREW:M3X3



18.07200040E
RETAINING RING -
M4



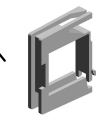
35.A2943354
RACK - 10Z



9.04513008N
(x8)
TAPPING SCREW -
M3X8



25.11050518
EDGE SADDLE - LE
S-1010



28.11050723
CLAMPS:WES-0507

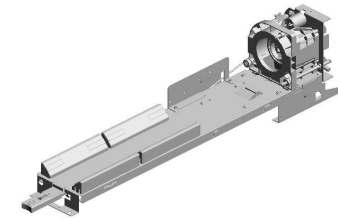


18.07200040E (x 7)
RETAINING RING - M4

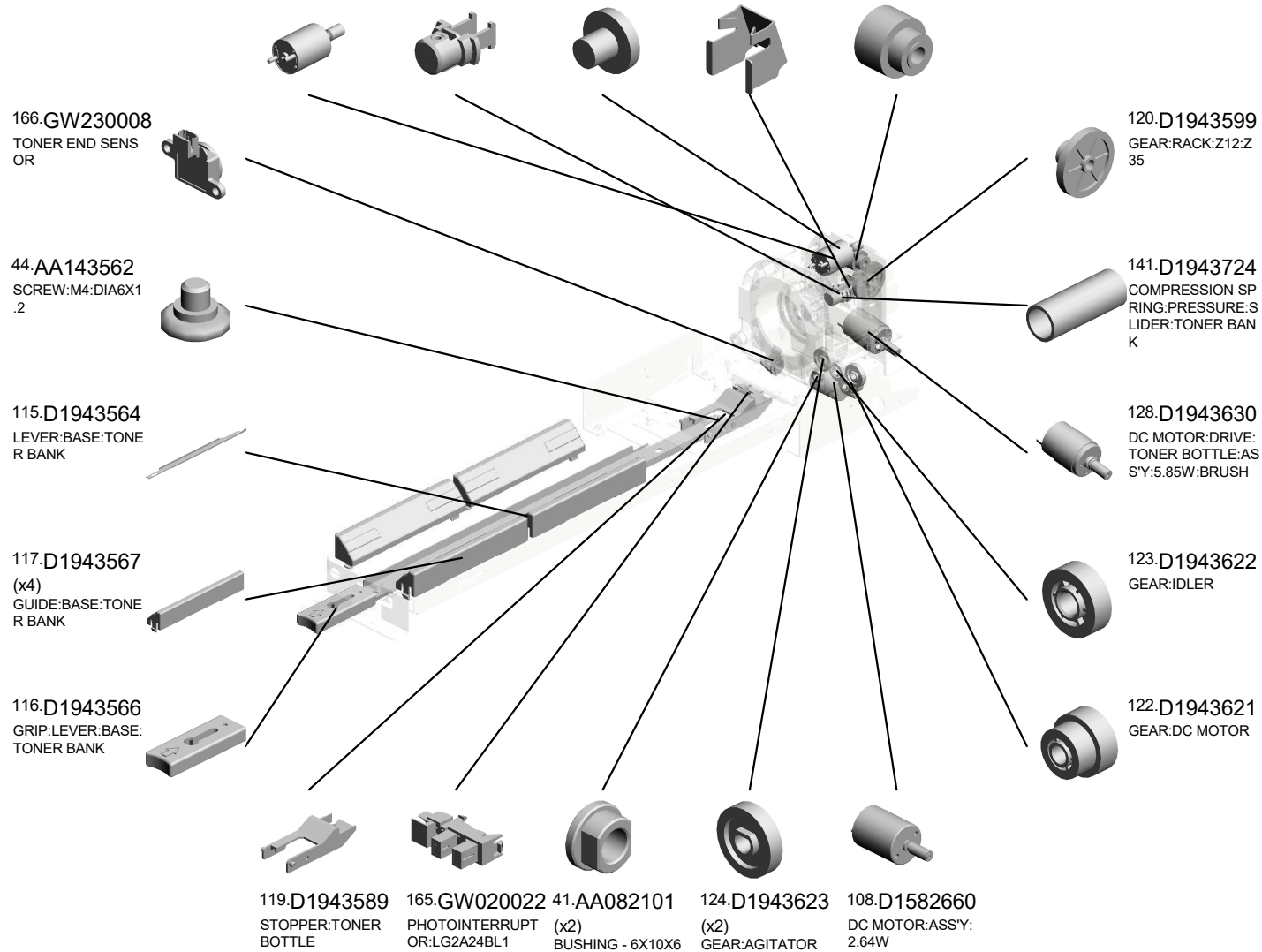
U001	U002	U003	U004	U005	U006	U007	U008	U009	U010	U011	U012	U013	U014	U015	U016	U017	U018	U019	U020
------	------	------	------	------	------	------	------	------	------	------	------	------	------	------	------	------	------	------	------

U005_S012
TONER BANK:ASS'Y

- 129.D1943632 DC MOTOR:SLIDE R:TONER BANK:ASS'Y:4.2W:BRUSH
- 54.B2343356 JOINT:CHUCK:TONER BOTTLE
- 55.D0393368 (x2) SCREW:M3X3.5
- 140.D1943713 PLATE:SHAFT:CHUCK:TONER BOTTLE
- 49.AB017515 DOUBLE GEAR - 12/23Z



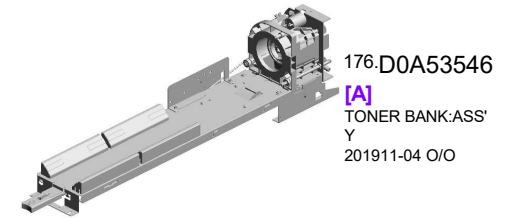
176.D0A53546
[A] TONER BANK:ASS'Y
201911-04 O/O



U001	U002	U003	U004	U005	U006	U007	U008	U009	U010	U011	U012	U013	U014	U015	U016	U017	U018	U019	U020
------	------	------	------	------	------	------	------	------	------	------	------	------	------	------	------	------	------	------	------

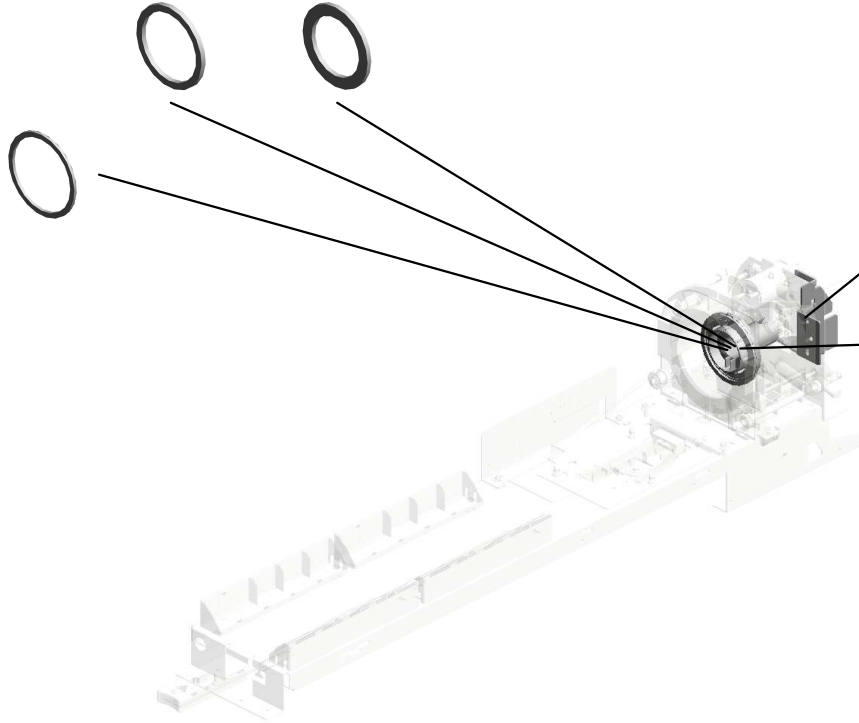
U005_S012
 TONER BANK:ASS'Y

170.D1943708 172.D0A53710
 SEAL:INNER:SLIDE SEAL:REAR:SLIDE
 R:TONER BANK R:TONER BANK:T6



176.D0A53546
 [A]
 TONER BANK:ASS'
 Y
 201911-04 O/O

171.D1943709
 SEAL:OUTER:SLID
 ER:TONER BANK



167.D0A53588
 BRACKET:RACK:S
 TOPPER



169.D1943707
 SLIDER:TONER BA
 NK



D0A53545
 [A]
 TONER BANK:ASS'
 Y
 201911-04 O/O

U001	U002	U003	U004	U005	U006	U007	U008	U009	U010	U011	U012	U013	U014	U015	U016	U017	U018	U019	U020
------	------	------	------	------	------	------	------	------	------	------	------	------	------	------	------	------	------	------	------

U005_S013
COVER:GEAR:TONER BOTTLE:ASS'Y

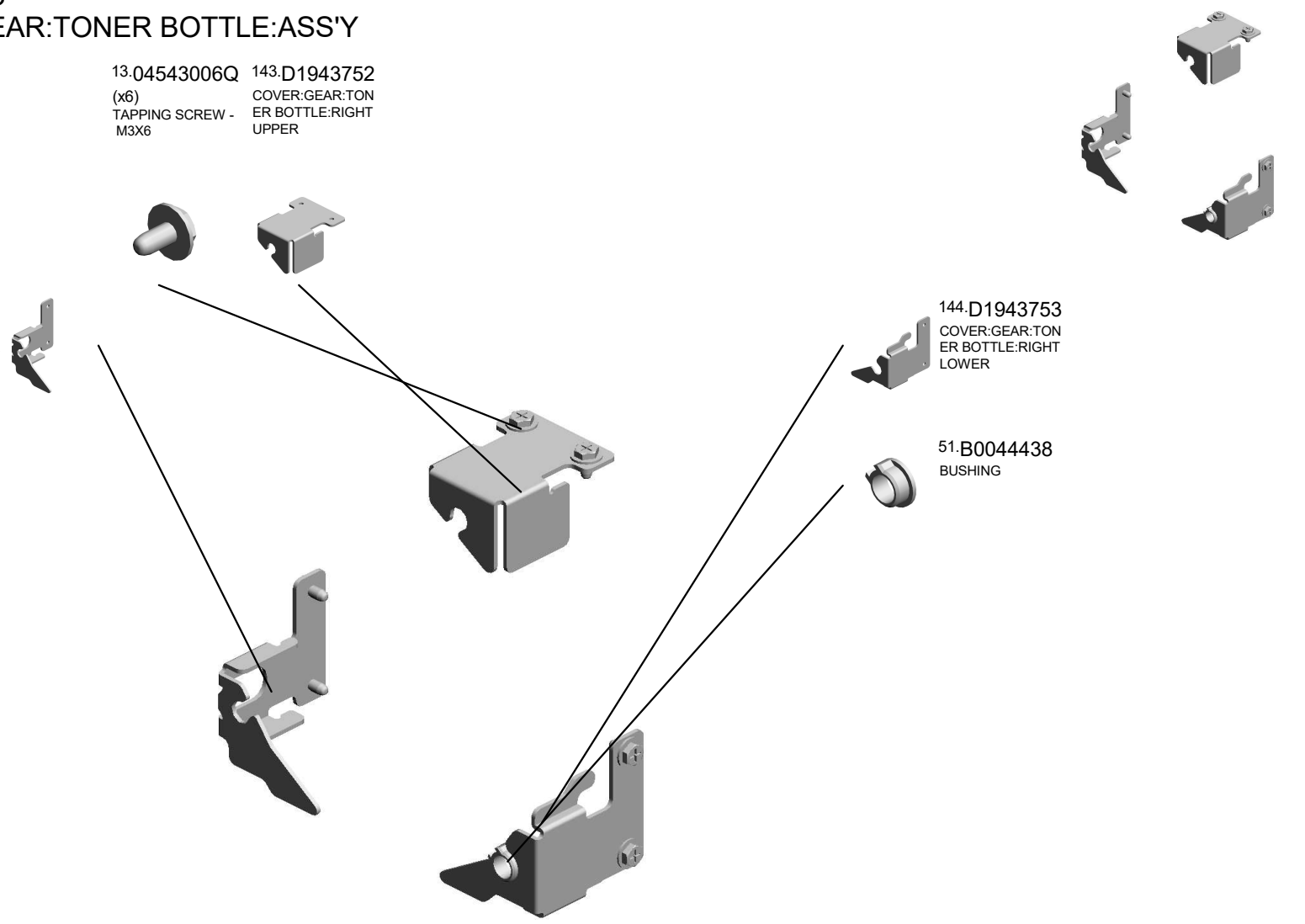
13.04543006Q 143.D1943752
(x6) COVER:GEAR:TONER BOTTLE:RIGHT UPPER
TAPPING SCREW - M3X6

139.D1943677
COVER:GEAR:TONER BOTTLE:ASS'Y

145.D1943754
COVER:GEAR:TONER BOTTLE:LEFT LOWER

144.D1943753
COVER:GEAR:TONER BOTTLE:RIGHT LOWER

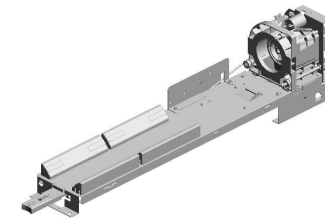
51.B0044438
BUSHING



U001	U002	U003	U004	U005	U006	U007	U008	U009	U010	U011	U012	U013	U014	U015	U016	U017	U018	U019	U020
------	------	------	------	------	------	------	------	------	------	------	------	------	------	------	------	------	------	------	------

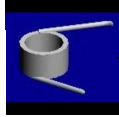
U005_S014
TONER BANK:ASS'Y

- 30.11050758 (x2) CLAMP:LWSM-030 6A
- 26.11050551 CLAMP:LES-0505
- 17.04583010N (x6) HEXAGON HEAD TAPPING SCREW:3 X10
- 31.11050760 (x3) CLAMP:LWSM-051 1A
- 2.03530080N SCREW:M3X8



176.D0A53546
[A]
TONER BANK:ASS'
Y
201911-04 O/O

40.AA066320
FEELER TORSION
SPRING



14.04544006Q
(x3)
TAPPING SCREW:4
X6



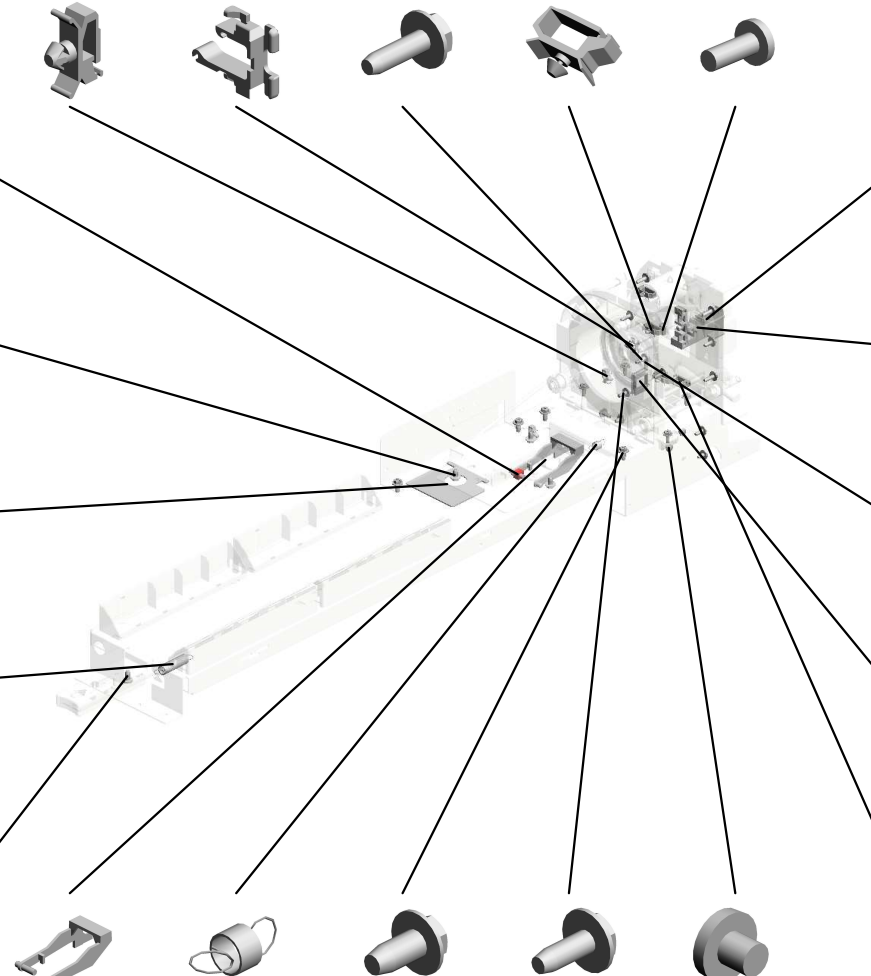
37.A2943454
LEVER STOPPER



39.AA060812
LEVER TENSION S
PRING



12.04524008N
TAPPING SCREW:
M4X8



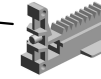
18.07200040E
RETAINING RING -
M4



30.11050758
CLAMP:LWSM-030
6A



35.A2943354
RACK - 10Z

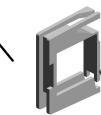


18.07200040E (x 7)
RETAINING RING - M4

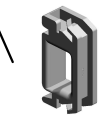
9.04513008N
(x8)
TAPPING SCREW -
M3X8



25.11050518
EDGE SADDLE - LE
S-1010



28.11050723
CLAMPS:WES-0507

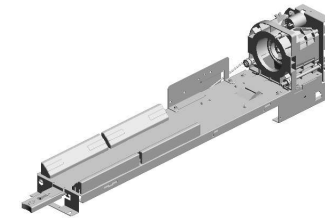


- 36.A2943447 TONER BOTTLE SE T FEELER
- 38.AA060811 TENSION SPRING - STOPPER
- 11.04514008N (x4) TAPPING SCREW:4 X8
- 16.04583008N (x3) HEXAGON HEAD TAPPING SCREW:3 X8
- 1.03530030N (x2) SCREW:M3X3

U001	U002	U003	U004	U005	U006	U007	U008	U009	U010	U011	U012	U013	U014	U015	U016	U017	U018	U019	U020
------	------	------	------	------	------	------	------	------	------	------	------	------	------	------	------	------	------	------	------

U005_S014
TONER BANK:ASS'Y

- 129.D1943632 DC MOTOR:SLIDE R:TONER BANK:ASS'Y:4.2W:BRUSH
- 54.B2343356 JOINT:CHUCK:TONER BOTTLE
- 55.D0393368 (x2) SCREW:M3X3.5
- 140.D1943713 PLATE:SHAFT:CHUCK:TONER BOTTLE
- 49.AB017515 DOUBLE GEAR - 12/23Z



176.D0A53546
[A] TONER BANK:ASS'Y
201911-04 O/O

166.GW230008
TONER END SENSOR



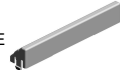
44.AA143562
SCREW:M4:DIA6X1.2



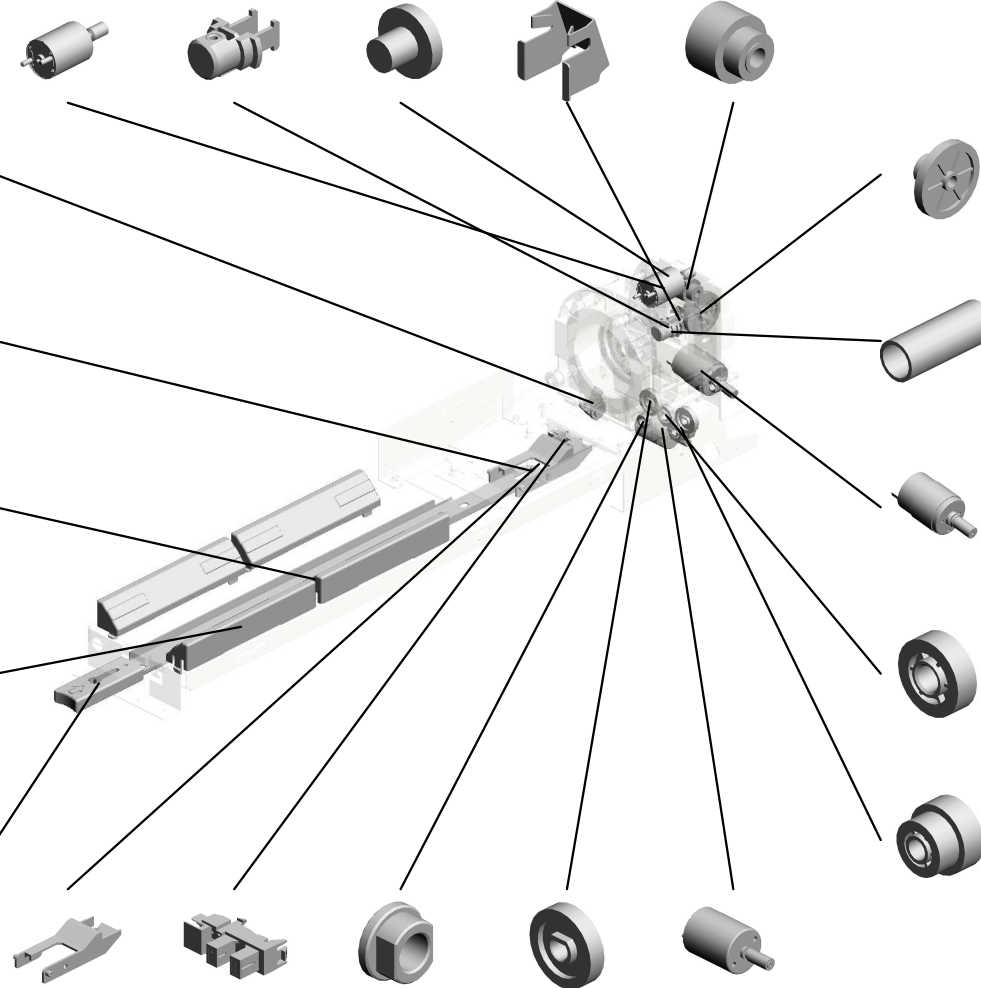
115.D1943564
LEVER:BASE:TONER BANK



117.D1943567
(x4)
GUIDE:BASE:TONER BANK



116.D1943566
GRIP:LEVER:BASE:TONER BANK



120.D1943599
GEAR:RACK:Z12:Z35



141.D1943724
COMPRESSION SPRING:PRESSURE:SLIDER:TONER BANK



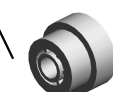
128.D1943630
DC MOTOR:DRIVE:TONER BOTTLE:ASS'Y:5.85W:BRUSH



123.D1943622
GEAR:IDLER



122.D1943621
GEAR:DC MOTOR

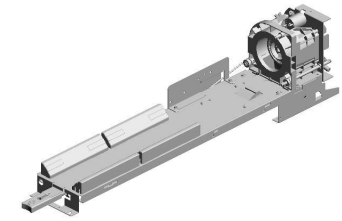


- 119.D1943589 STOPPER:TONER BOTTLE
- 165.GW020022 PHOTOINTERRUPTOR:LG2A24BL1
- 41.AA082101 (x2) BUSHING - 6X10X6
- 124.D1943623 (x2) GEAR:AGITATOR
- 108.D1582660 DC MOTOR:ASS'Y:2.64W

U001	U002	U003	U004	U005	U006	U007	U008	U009	U010	U011	U012	U013	U014	U015	U016	U017	U018	U019	U020
------	------	------	------	------	------	------	------	------	------	------	------	------	------	------	------	------	------	------	------

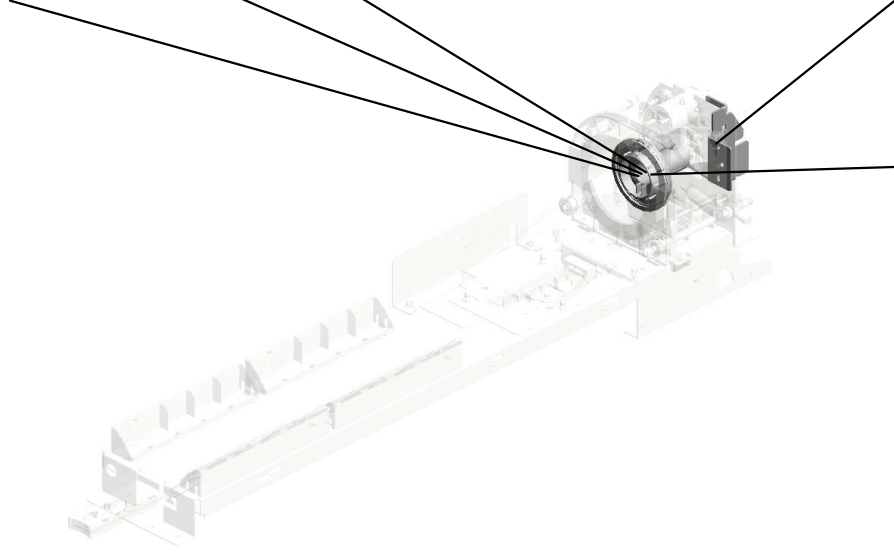
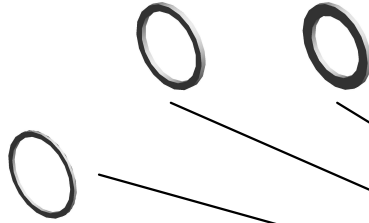
U005_S014
 TONER BANK:ASS'Y

170.D1943708 172.D0A53710
 SEAL:INNER:SLIDE SEAL:REAR:SLIDE
 R:TONER BANK R:TONER BANK:T6



176.D0A53546
 [A]
 TONER BANK:ASS'
 Y
 201911-04 O/O

171.D1943709
 SEAL:OUTER:SLID
 ER:TONER BANK



167.D0A53588
 BRACKET:RACK:S
 TOPPER



169.D1943707
 SLIDER:TONER BA
 NK



D0A53545
 [A]
 TONER BANK:ASS'
 Y
 201911-04 O/O

U001	U002	U003	U004	U005	U006	U007	U008	U009	U010	U011	U012	U013	U014	U015	U016	U017	U018	U019	U020
------	------	------	------	------	------	------	------	------	------	------	------	------	------	------	------	------	------	------	------

U005_S015
 COVER:GEAR:TONER BOTTLE:ASS'Y

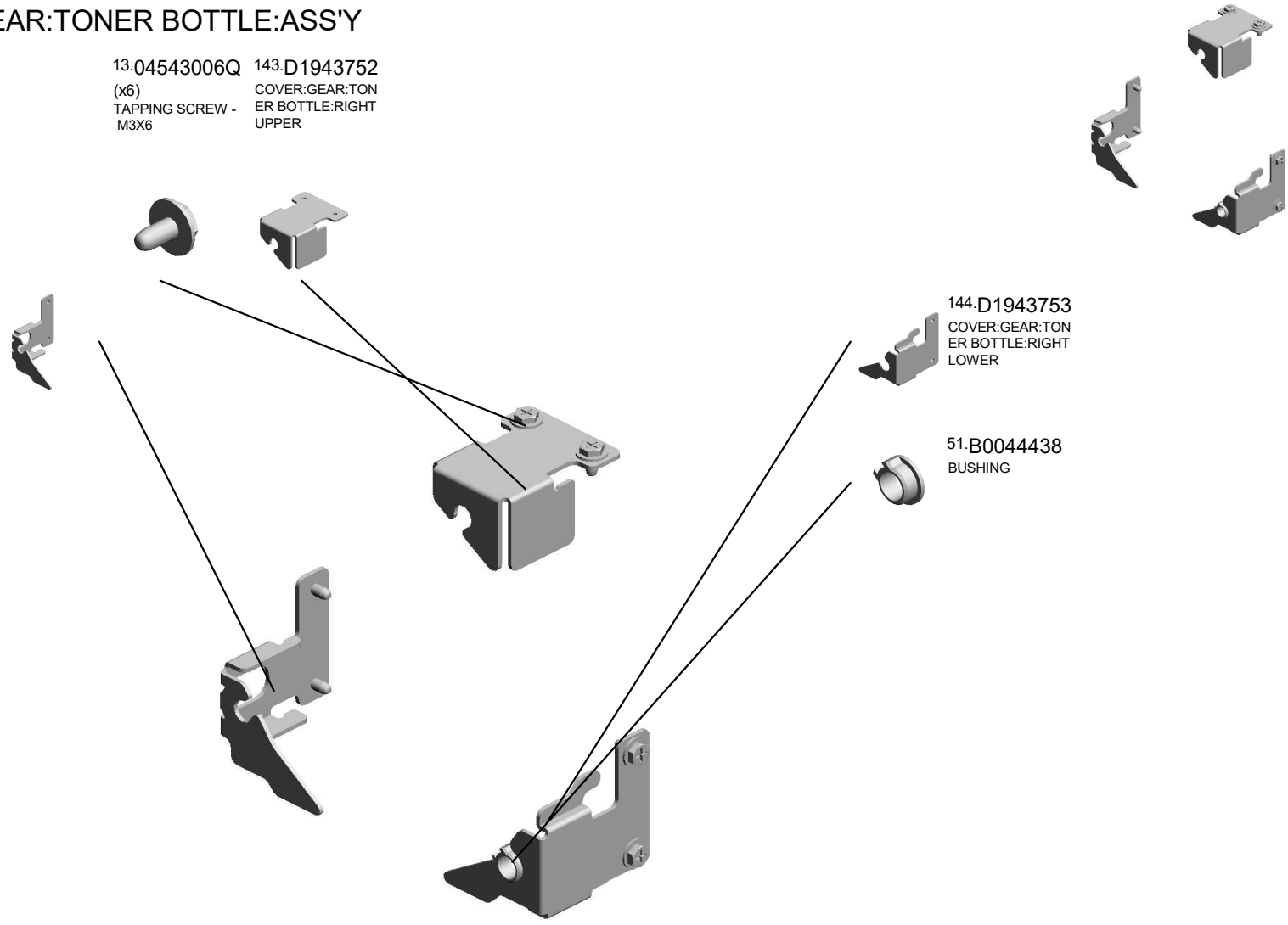
13.04543006Q 143.D1943752
 (x6) COVER:GEAR:TONER BOTTLE:RIGHT UPPER
 TAPPING SCREW - M3X6

139.D1943677
 COVER:GEAR:TONER BOTTLE:ASS'Y

145.D1943754
 COVER:GEAR:TONER BOTTLE:LEFT LOWER

144.D1943753
 COVER:GEAR:TONER BOTTLE:RIGHT LOWER

51.B0044438
 BUSHING



U001	U002	U003	U004	U005	U006	U007	U008	U009	U010	U011	U012	U013	U014	U015	U016	U017	U018	U019	U020
------	------	------	------	------	------	------	------	------	------	------	------	------	------	------	------	------	------	------	------

U005_S016
TONER BANK:ASS'Y

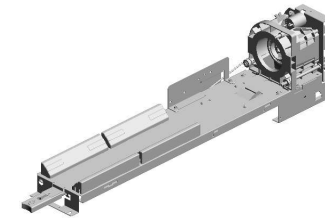
30.11050758
(x3)
CLAMP:LWSM-030
6A

26.11050551
CLAMP:LES-0505

17.04583010N
(x6)
HEXAGON HEAD T
APPING SCREW:3
X10

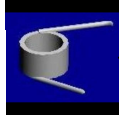
31.11050760
(x3)
CLAMP:LWSM-051
1A

2.03530080N
SCREW:M3X8



176.D0A53546
[A]
TONER BANK:ASS'
Y
201911-04 O/O

40.AA066320
FEELER TORTION
SPRING



14.04544006Q
(x3)
TAPPING SCREW:4
X6



37.A2943454
LEVER STOPPER



39.AA060812
LEVER TENSION S
PRING



12.04524008N
TAPPING SCREW:
M4X8



36.A2943447
TONER BOTTLE SE
T FEELER



38.AA060811
TENSION SPRING -
STOPPER



11.04514008N
(x4)
TAPPING SCREW:4
X8



16.04583008N
(x3)
HEXAGON HEAD T
APPING SCREW:3
X8



1.03530030N
(x2)
SCREW:M3X3



18.07200040E
RETAINING RING -
M4



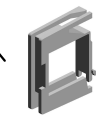
35.A2943354
RACK - 10Z



9.04513008N
(x8)
TAPPING SCREW -
M3X8



25.11050518
EDGE SADDLE - LE
S-1010



28.11050723
CLAMPS:WES-0507

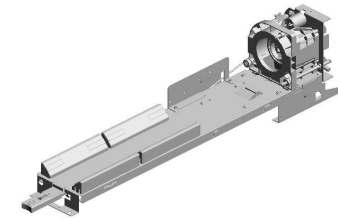


18.07200040E (x 7)
RETAINING RING - M4

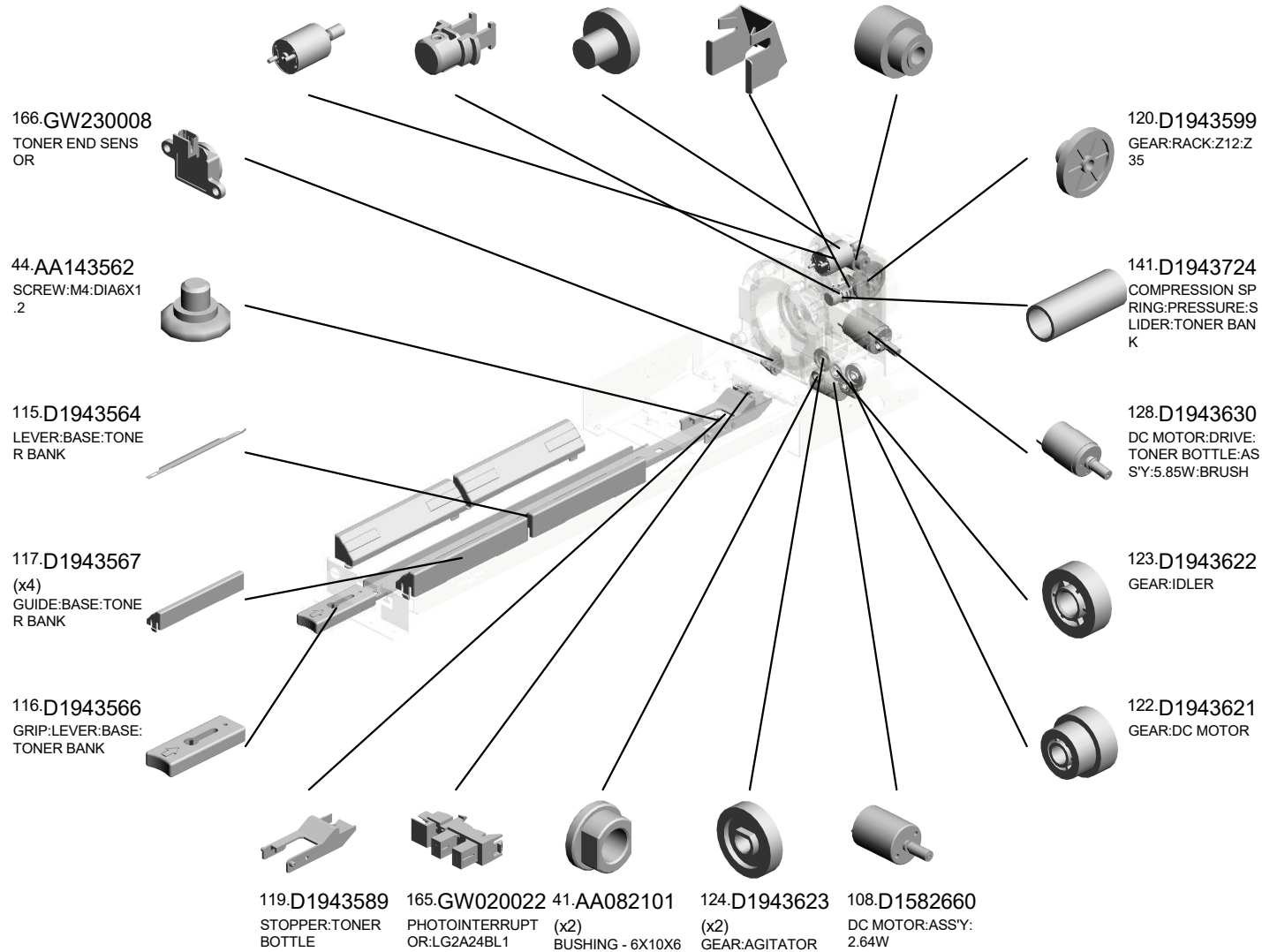
U001	U002	U003	U004	U005	U006	U007	U008	U009	U010	U011	U012	U013	U014	U015	U016	U017	U018	U019	U020
------	------	------	------	------	------	------	------	------	------	------	------	------	------	------	------	------	------	------	------

U005_S016
TONER BANK:ASS'Y

- 129.D1943632 DC MOTOR:SLIDE R:TONER BANK:ASS'Y:4.2W:BRUSH
- 54.B2343356 JOINT:CHUCK:TONER BOTTLE
- 55.D0393368 (x2) SCREW:M3X3.5
- 140.D1943713 PLATE:SHAFT:CHUCK:TONER BOTTLE
- 49.AB017515 DOUBLE GEAR - 12/23Z



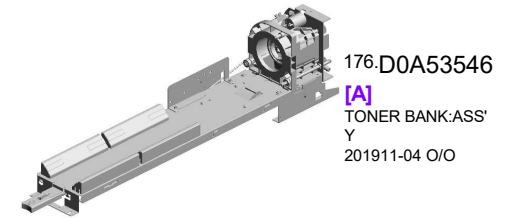
176.D0A53546
[A] TONER BANK:ASS'Y
201911-04 O/O



U001	U002	U003	U004	U005	U006	U007	U008	U009	U010	U011	U012	U013	U014	U015	U016	U017	U018	U019	U020
------	------	------	------	------	------	------	------	------	------	------	------	------	------	------	------	------	------	------	------

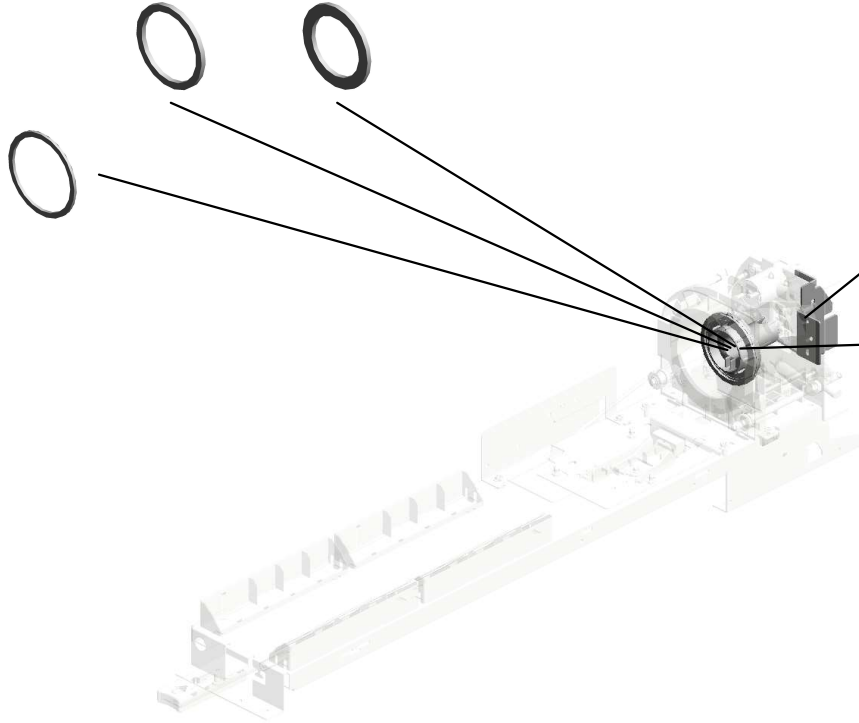
U005_S016
 TONER BANK:ASS'Y

170.D1943708 172.D0A53710
 SEAL:INNER:SLIDE SEAL:REAR:SLIDE
 R:TONER BANK R:TONER BANK:T6



176.D0A53546
 [A]
 TONER BANK:ASS'
 Y
 201911-04 O/O

171.D1943709
 SEAL:OUTER:SLID
 ER:TONER BANK



167.D0A53588
 BRACKET:RACK:S
 TOPPER



169.D1943707
 SLIDER:TONER BA
 NK



D0A53545
 [A]
 TONER BANK:ASS'
 Y
 201911-04 O/O

U001	U002	U003	U004	U005	U006	U007	U008	U009	U010	U011	U012	U013	U014	U015	U016	U017	U018	U019	U020
------	------	------	------	------	------	------	------	------	------	------	------	------	------	------	------	------	------	------	------

U005_S017
COVER:GEAR:TONER BOTTLE:ASS'Y

13.04543006Q (x6)
TAPPING SCREW - M3X6

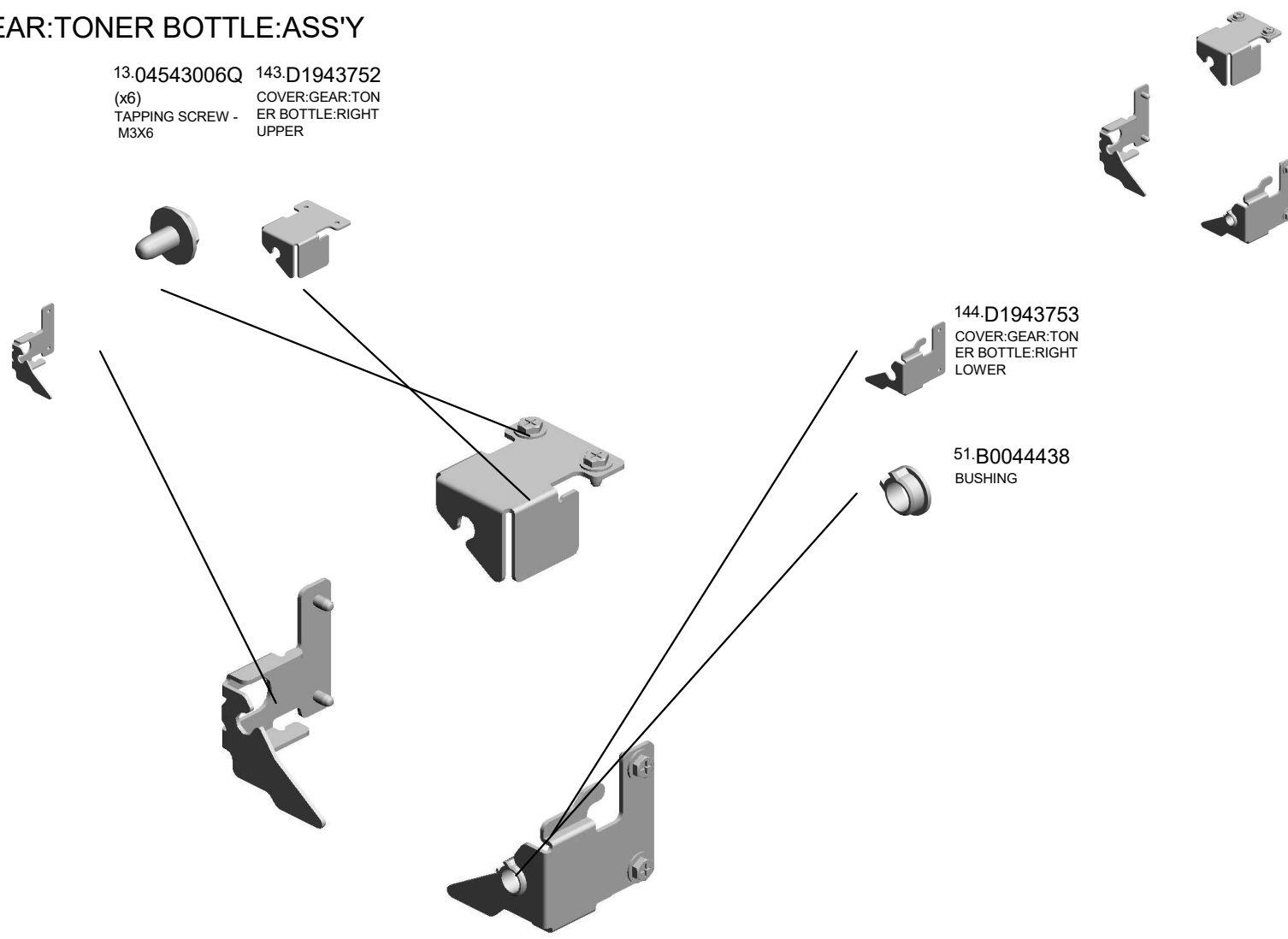
143.D1943752
COVER:GEAR:TONER BOTTLE:RIGHT UPPER

139.D1943677
COVER:GEAR:TONER BOTTLE:ASS'Y

145.D1943754
COVER:GEAR:TONER BOTTLE:LEFT LOWER

144.D1943753
COVER:GEAR:TONER BOTTLE:RIGHT LOWER

51.B0044438
BUSHING

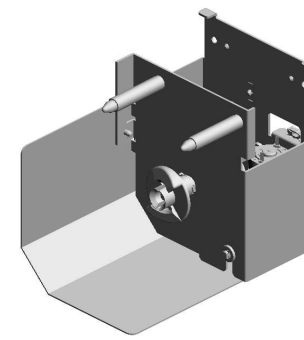


U001	U002	U003	U004	U005	U006	U007	U008	U009	U010	U011	U012	U013	U014	U015	U016	U017	U018	U019	U020
------	------	------	------	------	------	------	------	------	------	------	------	------	------	------	------	------	------	------	------

U005_S018

(Pro C7200SX/C7210SX/C7200X/C7210X):DRIVE UNIT:TONER BOTTLE:5ST:ASS'Y

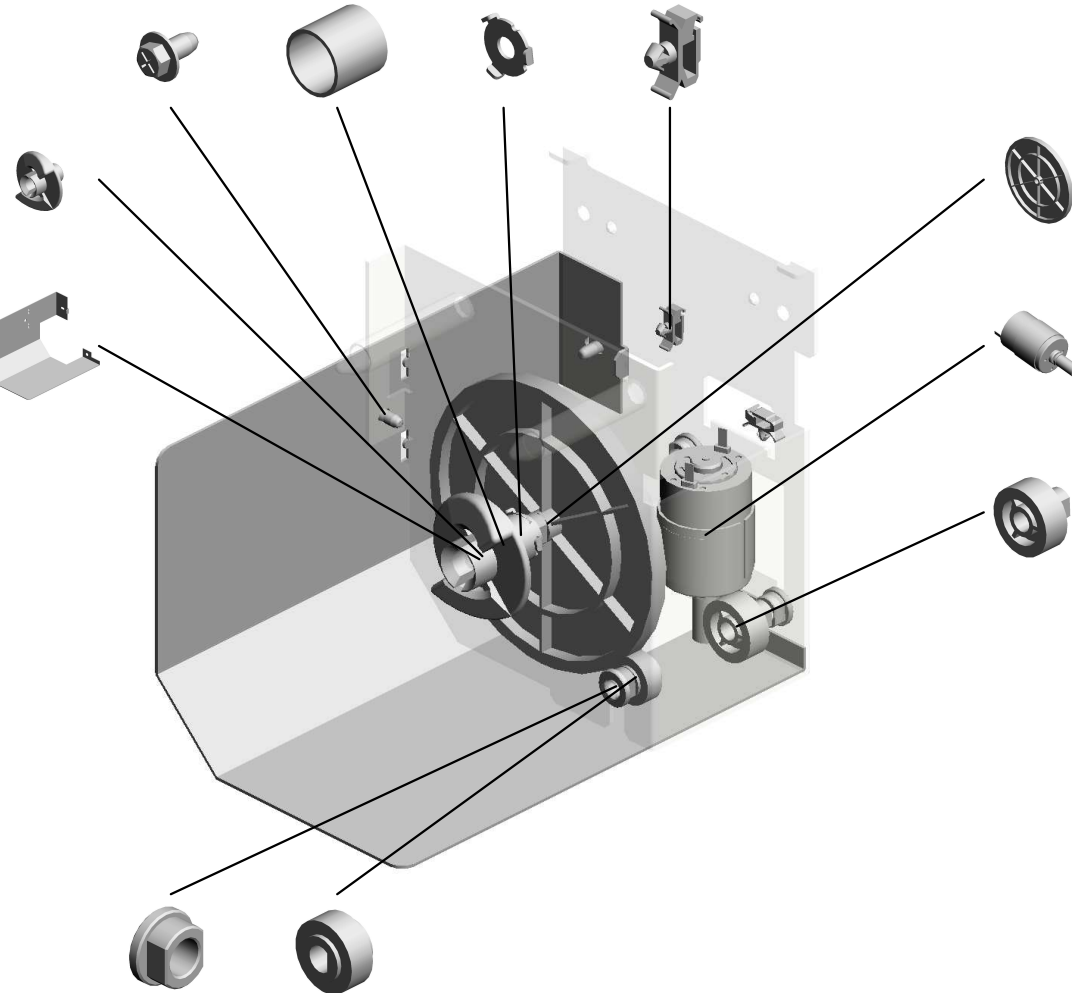
- 15.04544008Q (x3)
TAPPING SCREW - M4X8
- 158.D2033528 (Pro C7200SX/C7210SX/C7200X/C7210X):COIL SPRING:DRIVE SUB-UNIT:TONER SUPPLY UNIT
- 61.D0743708 (Pro C7200SX/C7210SX/C7200X/C7210X):SPRING LOCK WASHER:DRIVE SUB-UNIT:TONER BOTTLE
- 23.11050511 (x2)
HARNES CLAMP - LWS-0306ZC



- 156.D2033521 (Pro C7200SX/C7210SX/C7200X/C7210X):DRIVE UNIT:TONER BOTTLE:5ST:ASS'Y

- 62.D0743721 (Pro C7200SX/C7210SX/C7200X/C7210X):JOINT:DRIVE:TONER SUPPLY UNIT

- 157.D2033525 (Pro C7200SX/C7210SX/C7200X/C7210X):COVER:DRIVE UNIT:TONER BOTTLE:5ST



- 18.07200040E (x 6)
RETAINING RING - M4

- 60.D0743703 (Pro C7200SX/C7210SX/C7200X/C7210X):GEAR:TONER BOTTLE:DIA92

- 128.D1943630 DC MOTOR:DRIVE:TONER BOTTLE:ASS'Y:5.85W:BRUSH

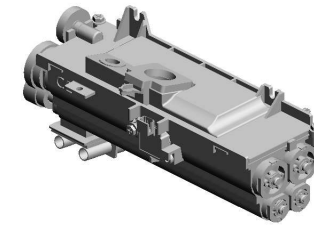
- 48.AB012008 (Pro C7200SX/C7210SX/C7200X/C7210X):GEAR - 23Z

- 41.AA082101 (x4)
BUSHING - 6X10X6

- 47.AB012007 (Pro C7200SX/C7210SX/C7200X/C7210X):GEAR - 14Z

U001	U002	U003	U004	U005	U006	U007	U008	U009	U010	U011	U012	U013	U014	U015	U016	U017	U018	U019	U020
------	------	------	------	------	------	------	------	------	------	------	------	------	------	------	------	------	------	------	------

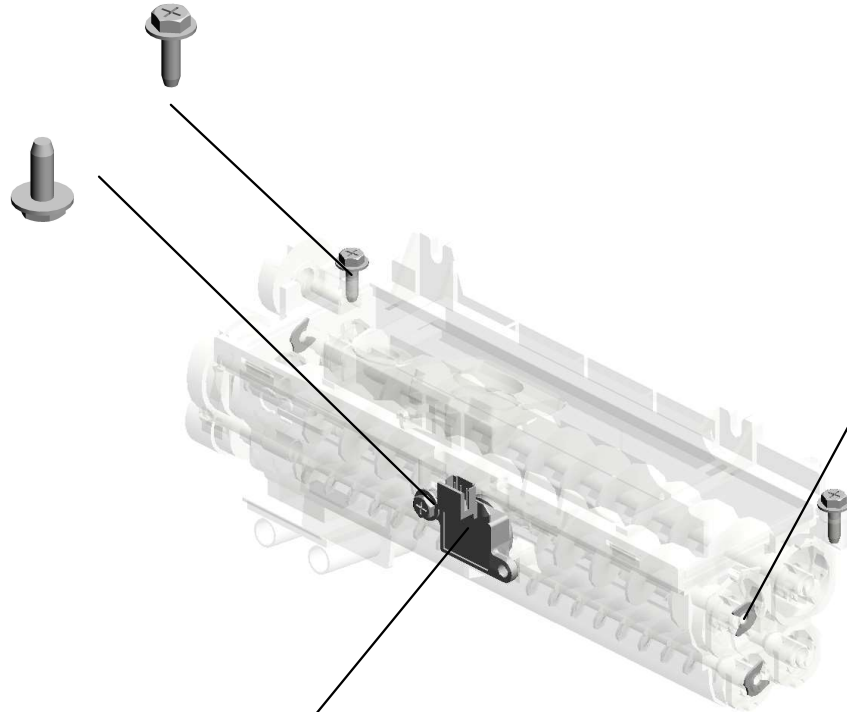
U005_S019
CASE:TONER HOPPER:TONER SUPPLY:COLOR:ASS'Y



84.D0A53441
CASE:TONER HOP
PER:TONER SUPP
LY:COLOR:ASS'Y

6.04503010N
(x2)
TAPPING SCREW -
M3X10

5.04503008N
TAPPING SCREW -
M3X8



19.08050092
(x3)
RETAINING RING -
3M

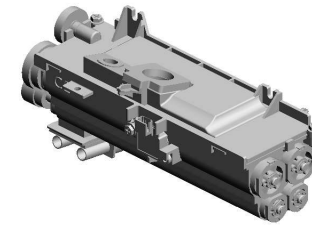
20.08050104
(x2)
RETAINING RINGS-
E:SILENCER:DIA4

18.07200040E(x 1)
RETAINING RING - M4

166.GW230008
TONER END SENS
OR

U001	U002	U003	U004	U005	U006	U007	U008	U009	U010	U011	U012	U013	U014	U015	U016	U017	U018	U019	U020
------	------	------	------	-------------	------	------	------	------	------	------	------	------	------	------	------	------	------	------	------

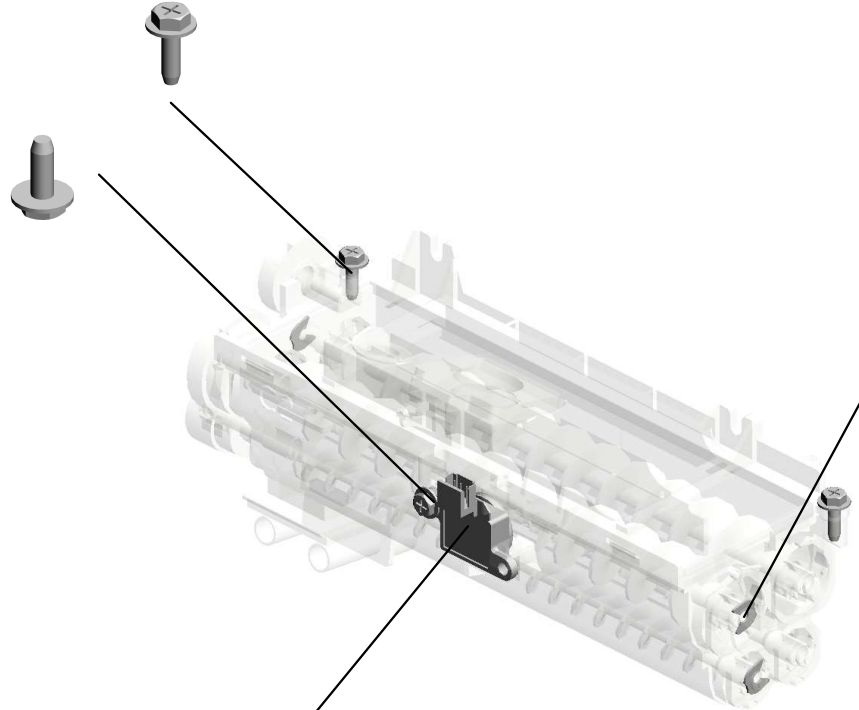
U005_S020
CASE:TONER HOPPER:TONER SUPPLY:COLOR:ASS'Y



84.D0A53441
CASE:TONER HOP
PER:TONER SUPP
LY:COLOR:ASS'Y

6.04503010N
(x2)
TAPPING SCREW -
M3X10

5.04503008N
TAPPING SCREW -
M3X8



19.08050092
(x3)
RETAINING RING -
3M

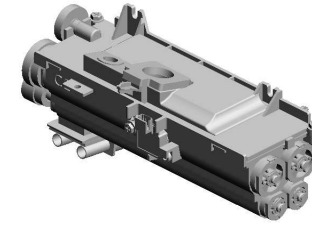
20.08050104
(x2)
RETAINING RINGS-
E:SILENCER:DIA4

18.07200040E(x 1)
RETAINING RING - M4

166.GW230008
TONER END SENS
OR

U001	U002	U003	U004	U005	U006	U007	U008	U009	U010	U011	U012	U013	U014	U015	U016	U017	U018	U019	U020
------	------	------	------	-------------	------	------	------	------	------	------	------	------	------	------	------	------	------	------	------

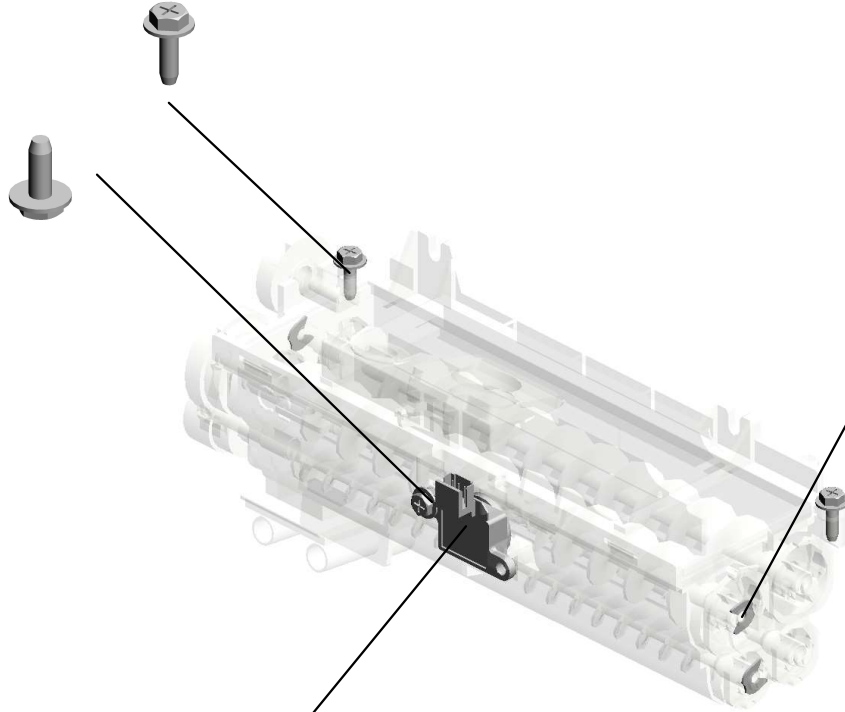
U005_S021
CASE:TONER HOPPER:TONER SUPPLY:COLOR:ASS'Y



84.D0A53441
CASE:TONER HOP
PER:TONER SUPP
LY:COLOR:ASS'Y

6.04503010N
(x2)
TAPPING SCREW -
M3X10

5.04503008N
TAPPING SCREW -
M3X8



19.08050092
(x3)
RETAINING RING -
3M



20.08050104
(x2)
RETAINING RINGS-
E:SILENCER:DIA4

18.07200040E(x 1)
RETAINING RING - M4

166.GW230008
TONER END SENS
OR

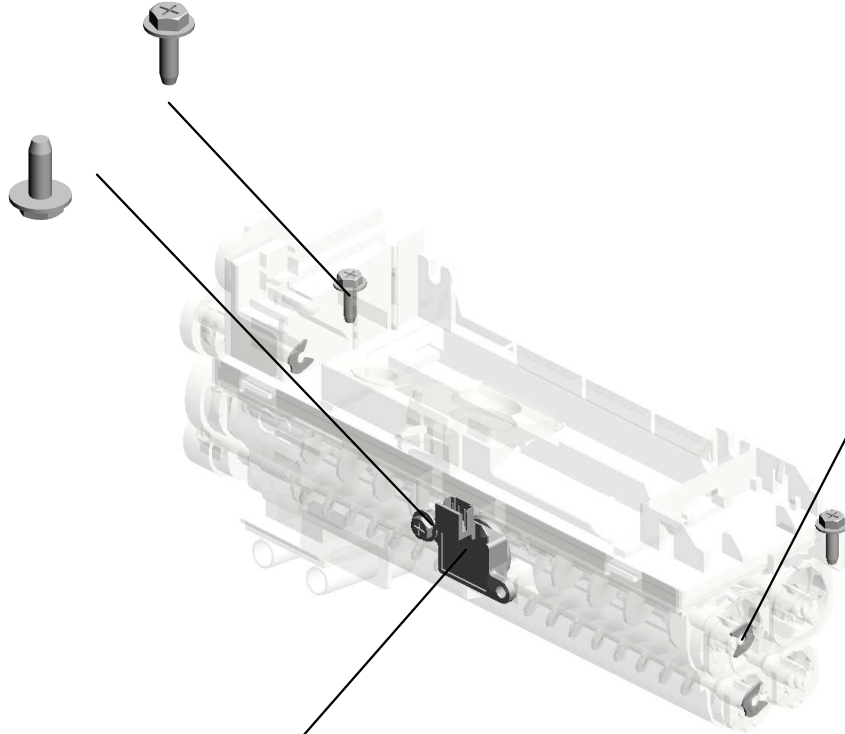


U001	U002	U003	U004	U005	U006	U007	U008	U009	U010	U011	U012	U013	U014	U015	U016	U017	U018	U019	U020
------	------	------	------	------	------	------	------	------	------	------	------	------	------	------	------	------	------	------	------

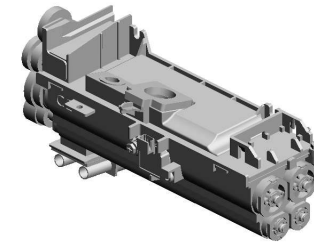
U005_S022
CASE:TONER SUPPLY:K:ASS'Y

6.04503010N
(x2)
TAPPING SCREW -
M3X10

5.04503008N
TAPPING SCREW -
M3X8



166.GW230008
TONER END SENS
OR



83.D0A53429
CASE:TONER SUP
PLY:K:ASS'Y



19.08050092
(x3)
RETAINING RING -
3M



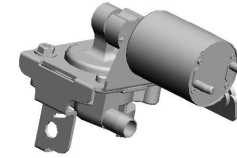
20.08050104
(x2)
RETAINING RINGS-
E:SILENCER:DIA4

18.07200040E (x 2)
RETAINING RING - M4

U001	U002	U003	U004	U005	U006	U007	U008	U009	U010	U011	U012	U013	U014	U015	U016	U017	U018	U019	U020
------	------	------	------	------	------	------	------	------	------	------	------	------	------	------	------	------	------	------	------

U005_S023
PUMP UNIT:TONER SUPPLY:ASS'Y

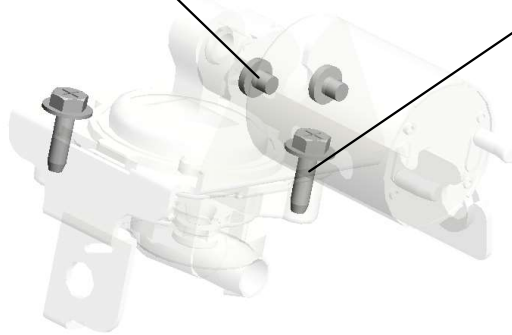
1.03530030N
(x2)
SCREW:M3X3



85.D0A53450
PUMP UNIT:TONER
SUPPLY:ASS'Y



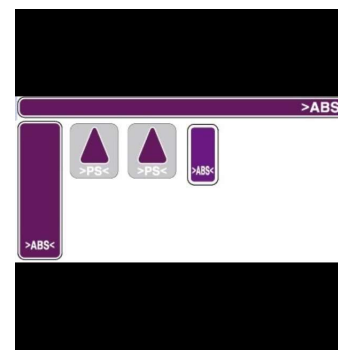
6.04503010N
(x2)
TAPPING SCREW -
M3X10



U001	U002	U003	U004	U005	U006	U007	U008	U009	U010	U011	U012	U013	U014	U015	U016	U017	U018	U019	U020
------	------	------	------	------	------	------	------	------	------	------	------	------	------	------	------	------	------	------	------

U005_S024
DECAL:TCRU:5ST:ASS'Y

111.D1942165
DECAL:GRIP



103.D0AL3458
DECAL:TCRU:5ST:
ASS'Y

162.D2033710
DECAL:TCRU:PUM
P:5ST



75.D0746497
(x2)
DECAL:POSITIONI
NG DISPLAY:TCRU

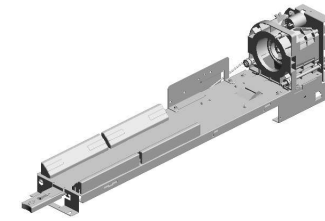


57.D0742542
DECAL:GRIP

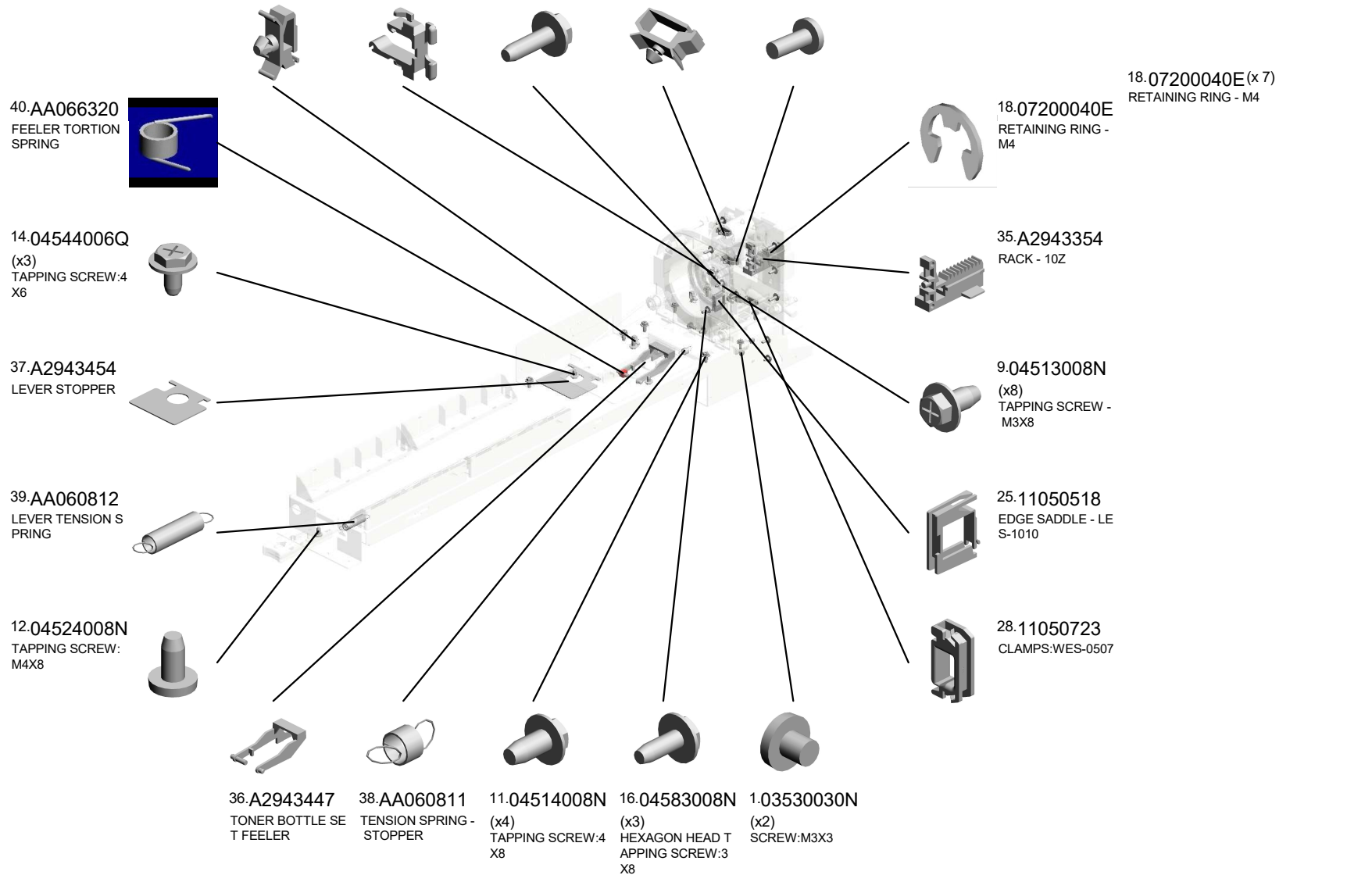
U001	U002	U003	U004	U005	U006	U007	U008	U009	U010	U011	U012	U013	U014	U015	U016	U017	U018	U019	U020
------	------	------	------	------	------	------	------	------	------	------	------	------	------	------	------	------	------	------	------

U005_S025
TONER BANK:ASS'Y

- 30.11050758 (x3) CLAMP:LWSM-030 6A
- 26.11050551 CLAMP:LES-0505
- 17.04583010N (x6) HEXAGON HEAD TAPPING SCREW:3 X10
- 31.11050760 (x3) CLAMP:LWSM-051 1A
- 2.03530080N SCREW:M3X8



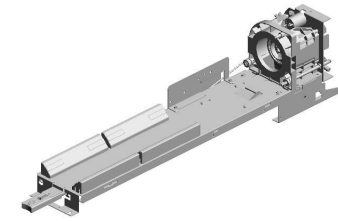
176.D0A53546
[A]
TONER BANK:ASS'
Y
201911-04 O/O



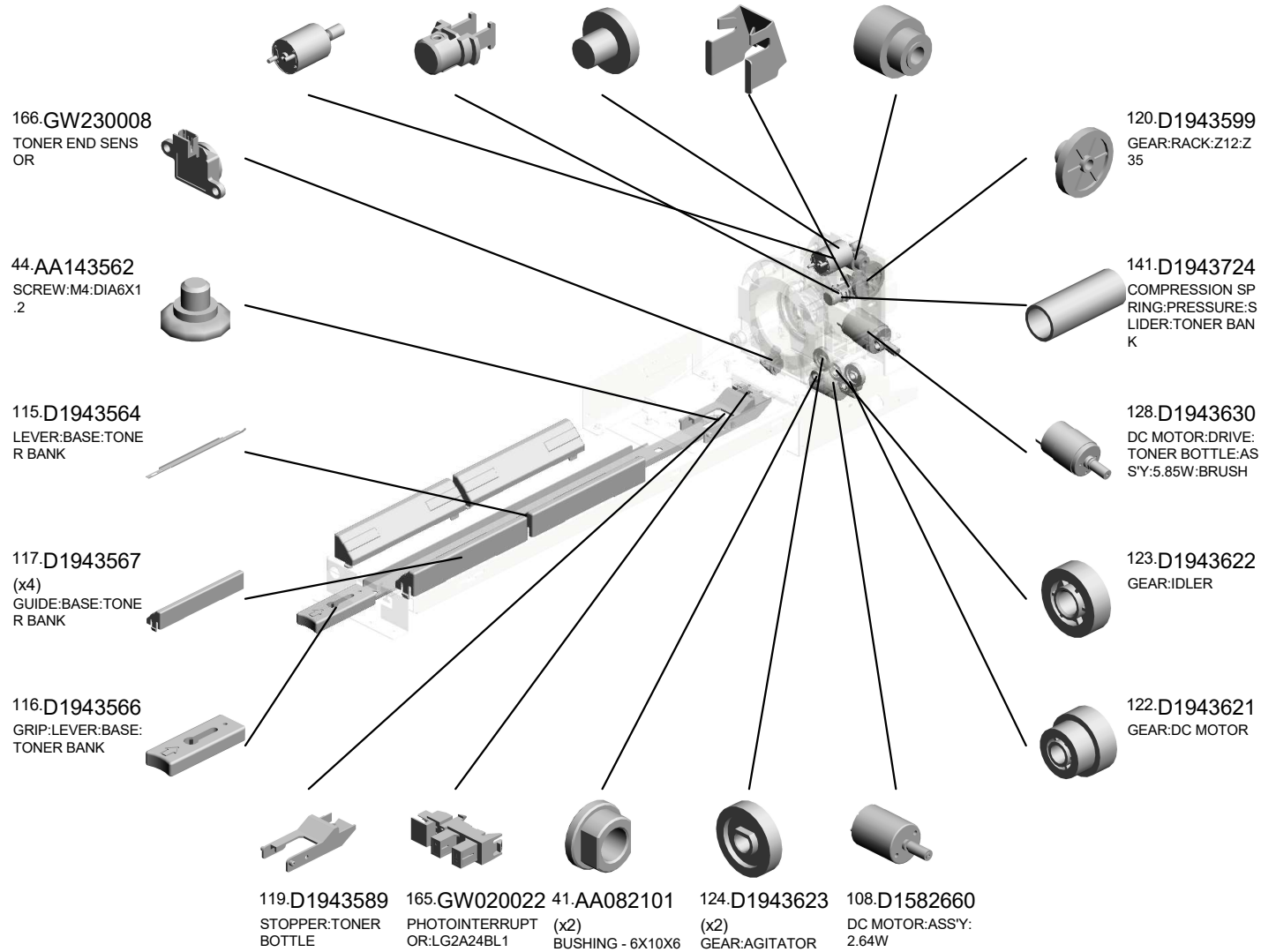
U001	U002	U003	U004	U005	U006	U007	U008	U009	U010	U011	U012	U013	U014	U015	U016	U017	U018	U019	U020
------	------	------	------	------	------	------	------	------	------	------	------	------	------	------	------	------	------	------	------

U005_S025
TONER BANK:ASS'Y

- 129.D1943632 DC MOTOR:SLIDE R:TONER BANK:ASS'Y:4.2W:BRUSH
- 54.B2343356 JOINT:CHUCK:TONER BOTTLE
- 55.D0393368 (x2) SCREW:M3X3.5
- 140.D1943713 PLATE:SHAFT:CHUCK:TONER BOTTLE
- 49.AB017515 DOUBLE GEAR - 12/23Z



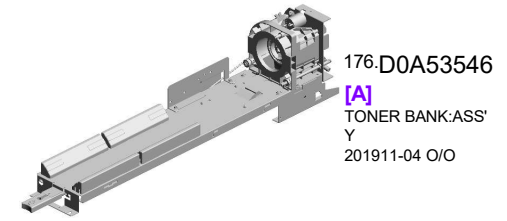
176.D0A53546
[A] TONER BANK:ASS'Y
201911-04 O/O



U001	U002	U003	U004	U005	U006	U007	U008	U009	U010	U011	U012	U013	U014	U015	U016	U017	U018	U019	U020
------	------	------	------	------	------	------	------	------	------	------	------	------	------	------	------	------	------	------	------

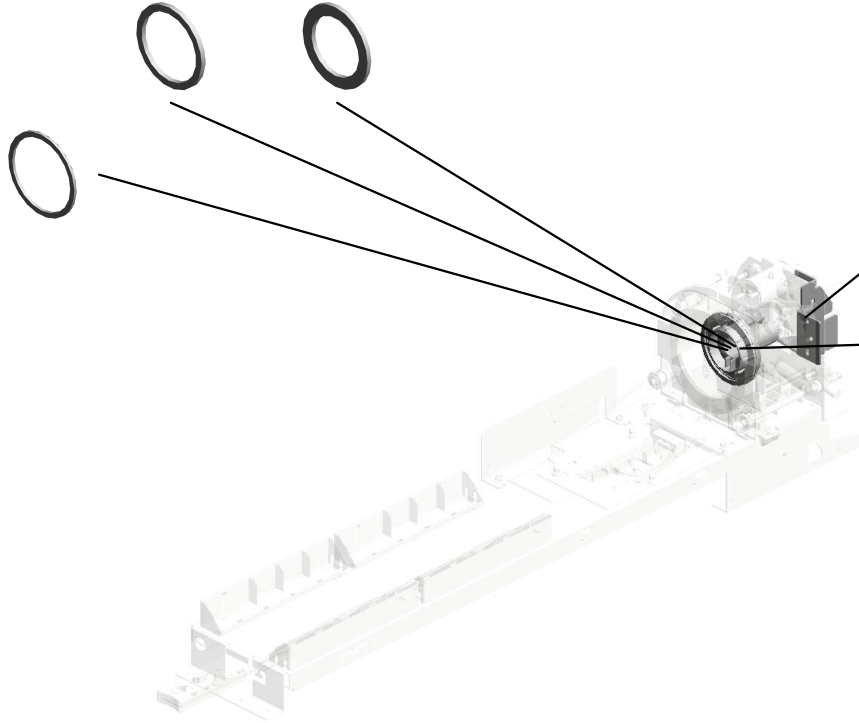
U005_S025
 TONER BANK:ASS'Y

170.D1943708 172.D0A53710
 SEAL:INNER:SLIDE SEAL:REAR:SLIDE
 R:TONER BANK R:TONER BANK:T6



176.D0A53546
 [A]
 TONER BANK:ASS'
 Y
 201911-04 O/O

171.D1943709
 SEAL:OUTER:SLID
 ER:TONER BANK



167.D0A53588
 BRACKET:RACK:S
 TOPPER



169.D1943707
 SLIDER:TONER BA
 NK



D0A53545
 [A]
 TONER BANK:ASS'
 Y
 201911-04 O/O

U001	U002	U003	U004	U005	U006	U007	U008	U009	U010	U011	U012	U013	U014	U015	U016	U017	U018	U019	U020
------	------	------	------	------	------	------	------	------	------	------	------	------	------	------	------	------	------	------	------

U005_S026
COVER:GEAR:TONER BOTTLE:ASS'Y

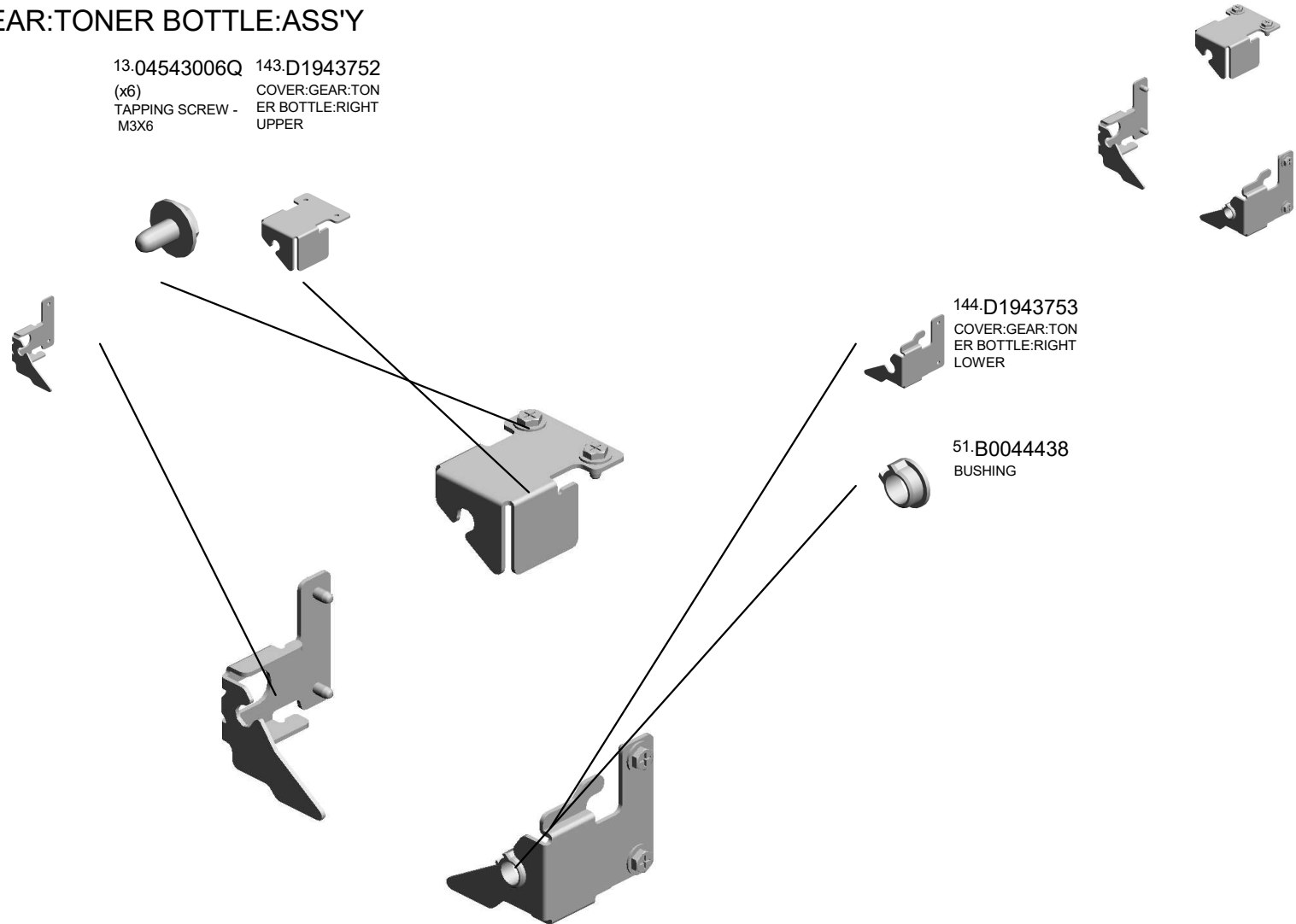
13.04543006Q 143.D1943752
(x6) COVER:GEAR:TONER BOTTLE:RIGHT UPPER
TAPPING SCREW - M3X6

139.D1943677
COVER:GEAR:TONER BOTTLE:ASS'Y

145.D1943754
COVER:GEAR:TONER BOTTLE:LEFT LOWER

144.D1943753
COVER:GEAR:TONER BOTTLE:RIGHT LOWER

51.B0044438
BUSHING



U001	U002	U003	U004	U005	U006	U007	U008	U009	U010	U011	U012	U013	U014	U015	U016	U017	U018	U019	U020
------	------	------	------	------	------	------	------	------	------	------	------	------	------	------	------	------	------	------	------

U005_S027
TONER BANK:ASS'Y

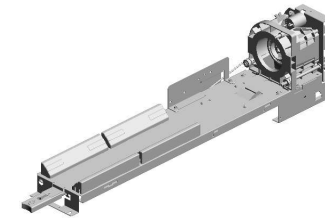
30.11050758
(x3)
CLAMP:LWSM-030
6A

26.11050551
CLAMP:LES-0505

17.04583010N
(x6)
HEXAGON HEAD T
APPING SCREW:3
X10

31.11050760
(x3)
CLAMP:LWSM-051
1A

2.03530080N
SCREW:M3X8



176.D0A53546
[A]
TONER BANK:ASS'
Y
201911-04 O/O

40.AA066320
FEELER TORTION
SPRING



14.04544006Q
(x3)
TAPPING SCREW:4
X6



37.A2943454
LEVER STOPPER



39.AA060812
LEVER TENSION S
PRING



12.04524008N
TAPPING SCREW:
M4X8



36.A2943447
TONER BOTTLE SE
T FEELER



38.AA060811
TENSION SPRING -
STOPPER



11.04514008N
(x4)
TAPPING SCREW:4
X8



16.04583008N
(x3)
HEXAGON HEAD T
APPING SCREW:3
X8



1.03530030N
(x2)
SCREW:M3X3



18.07200040E
RETAINING RING -
M4



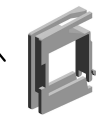
35.A2943354
RACK - 10Z



9.04513008N
(x8)
TAPPING SCREW -
M3X8



25.11050518
EDGE SADDLE - LE
S-1010



28.11050723
CLAMPS:WES-0507

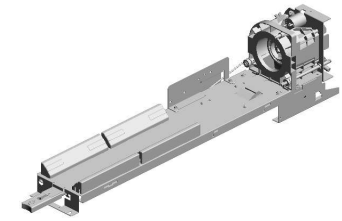


18.07200040E (x 7)
RETAINING RING - M4

U001	U002	U003	U004	U005	U006	U007	U008	U009	U010	U011	U012	U013	U014	U015	U016	U017	U018	U019	U020
------	------	------	------	------	------	------	------	------	------	------	------	------	------	------	------	------	------	------	------

U005_S027
TONER BANK:ASS'Y

- 129.D1943632 DC MOTOR:SLIDE R:TONER BANK:ASS'Y:4.2W:BRUSH
- 54.B2343356 JOINT:CHUCK:TONER BOTTLE
- 55.D0393368 (x2) SCREW:M3X3.5
- 140.D1943713 PLATE:SHAFT:CHUCK:TONER BOTTLE
- 49.AB017515 DOUBLE GEAR - 12/23Z



176.D0A53546
[A] TONER BANK:ASS'Y
201911-04 O/O

166.GW230008
TONER END SENSOR



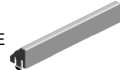
44.AA143562
SCREW:M4:DIA6X1.2



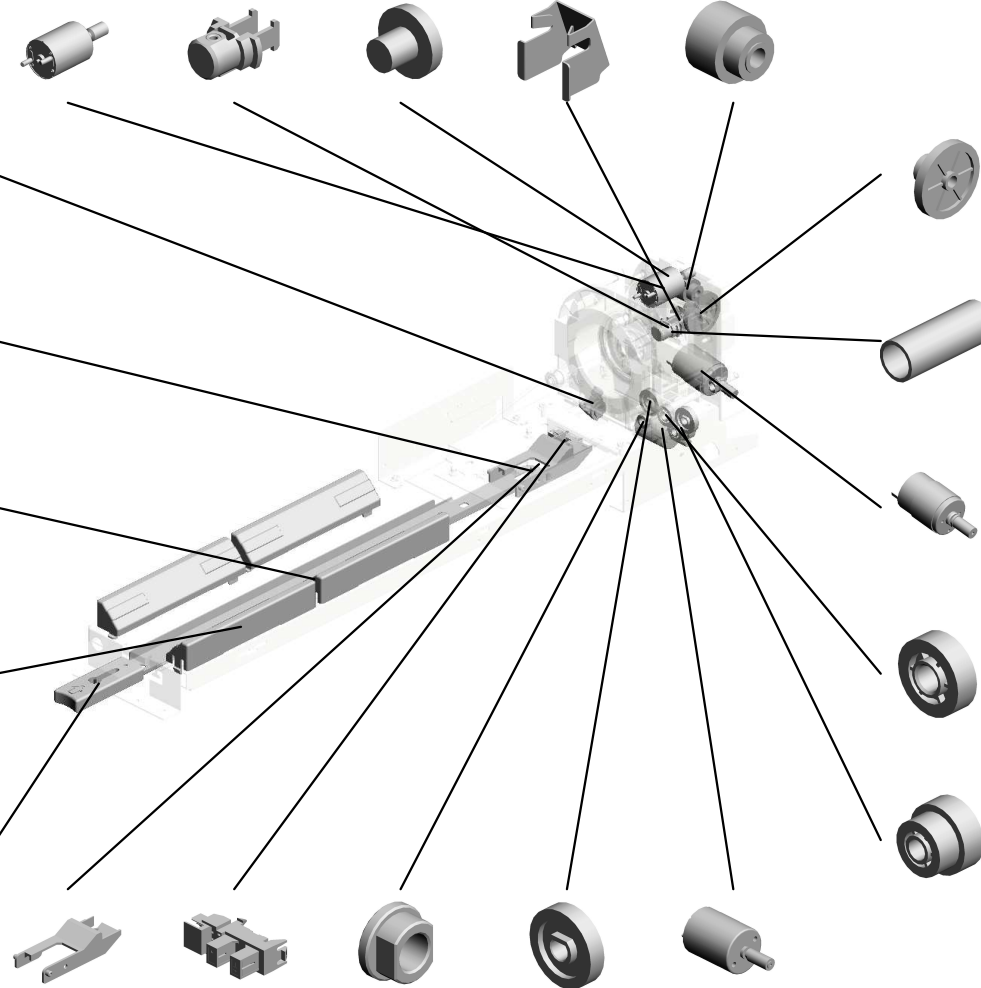
115.D1943564
LEVER:BASE:TONER BANK



117.D1943567
(x4)
GUIDE:BASE:TONER BANK



116.D1943566
GRIP:LEVER:BASE:TONER BANK



120.D1943599
GEAR:RACK:Z12:Z35



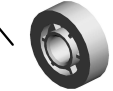
141.D1943724
COMPRESSION SPRING:PRESSURE:SLIDER:TONER BANK



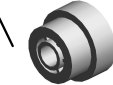
128.D1943630
DC MOTOR:DRIVE:TONER BOTTLE:ASS'Y:5.85W:BRUSH



123.D1943622
GEAR:IDLER



122.D1943621
GEAR:DC MOTOR

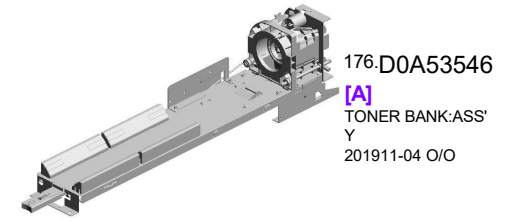


- 119.D1943589 STOPPER:TONER BOTTLE
- 165.GW020022 PHOTOINTERRUPTOR:LG2A24BL1
- 41.AA082101 (x2) BUSHING - 6X10X6
- 124.D1943623 (x2) GEAR:AGITATOR
- 108.D1582660 DC MOTOR:ASS'Y:2.64W

U001	U002	U003	U004	U005	U006	U007	U008	U009	U010	U011	U012	U013	U014	U015	U016	U017	U018	U019	U020
------	------	------	------	------	------	------	------	------	------	------	------	------	------	------	------	------	------	------	------

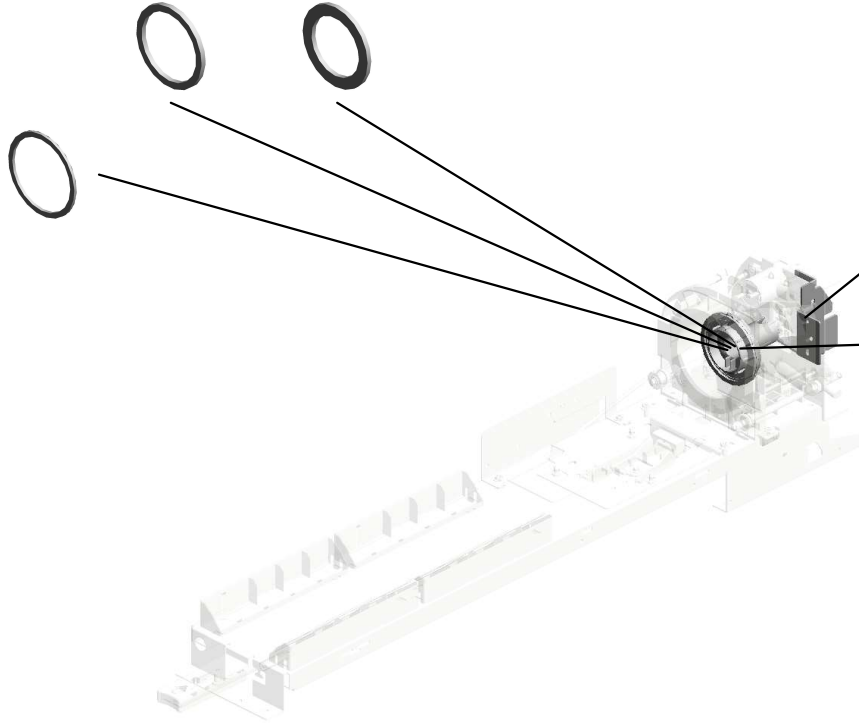
U005_S027
 TONER BANK:ASS'Y

170.D1943708 172.D0A53710
 SEAL:INNER:SLIDE SEAL:REAR:SLIDE
 R:TONER BANK R:TONER BANK:T6



176.D0A53546
 [A]
 TONER BANK:ASS'
 Y
 201911-04 O/O

171.D1943709
 SEAL:OUTER:SLID
 ER:TONER BANK



167.D0A53588
 BRACKET:RACK:S
 TOPPER



169.D1943707
 SLIDER:TONER BA
 NK



D0A53545
 [A]
 TONER BANK:ASS'
 Y
 201911-04 O/O

U001	U002	U003	U004	U005	U006	U007	U008	U009	U010	U011	U012	U013	U014	U015	U016	U017	U018	U019	U020
------	------	------	------	------	------	------	------	------	------	------	------	------	------	------	------	------	------	------	------

U005_S028
 COVER:GEAR:TONER BOTTLE:ASS'Y

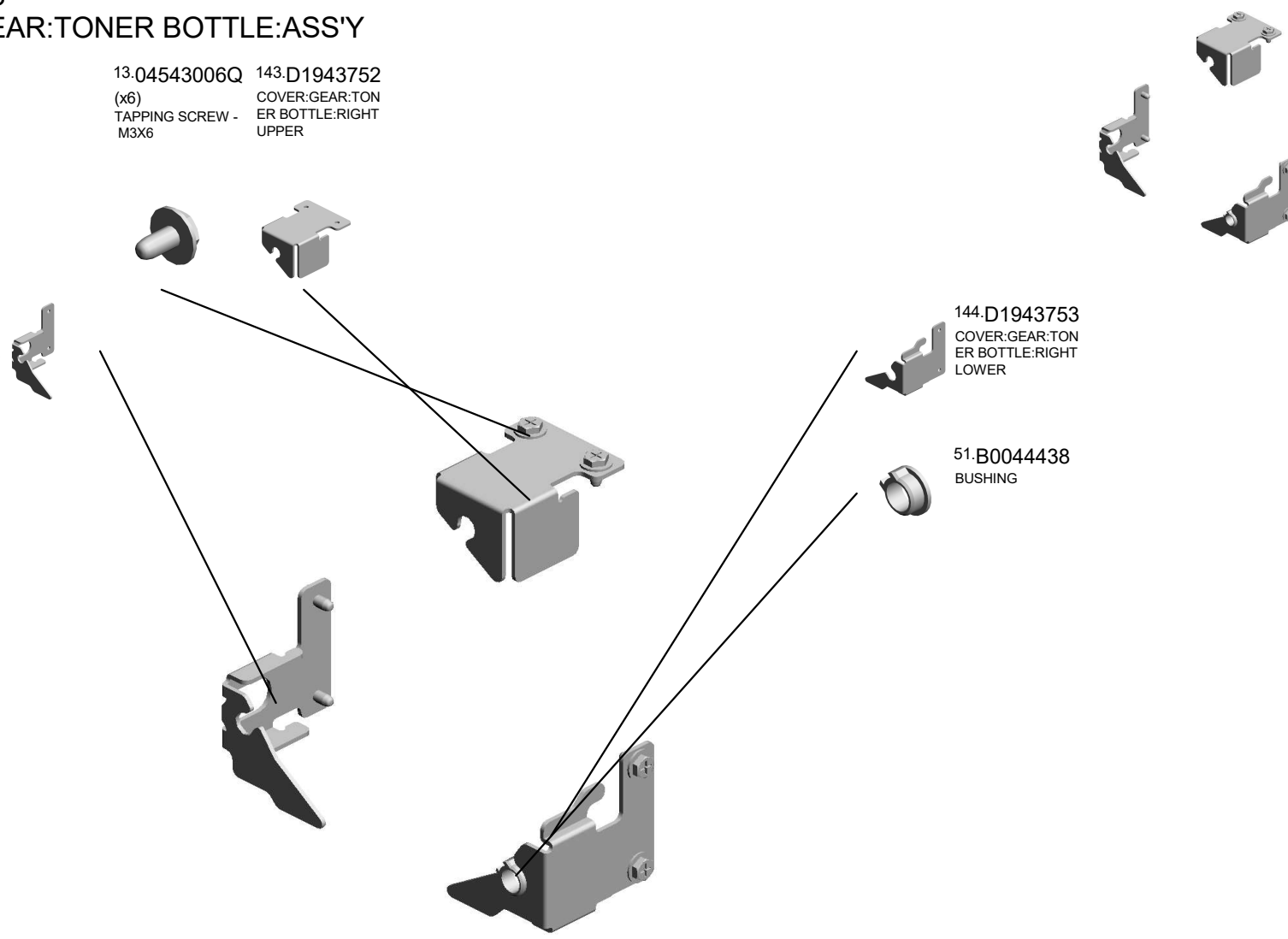
13.04543006Q 143.D1943752
 (x6) COVER:GEAR:TONER BOTTLE:RIGHT UPPER
 TAPPING SCREW - M3X6

139.D1943677
 COVER:GEAR:TONER BOTTLE:ASS'Y

145.D1943754
 COVER:GEAR:TONER BOTTLE:LEFT LOWER

144.D1943753
 COVER:GEAR:TONER BOTTLE:RIGHT LOWER

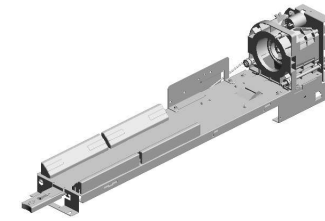
51.B0044438
 BUSHING



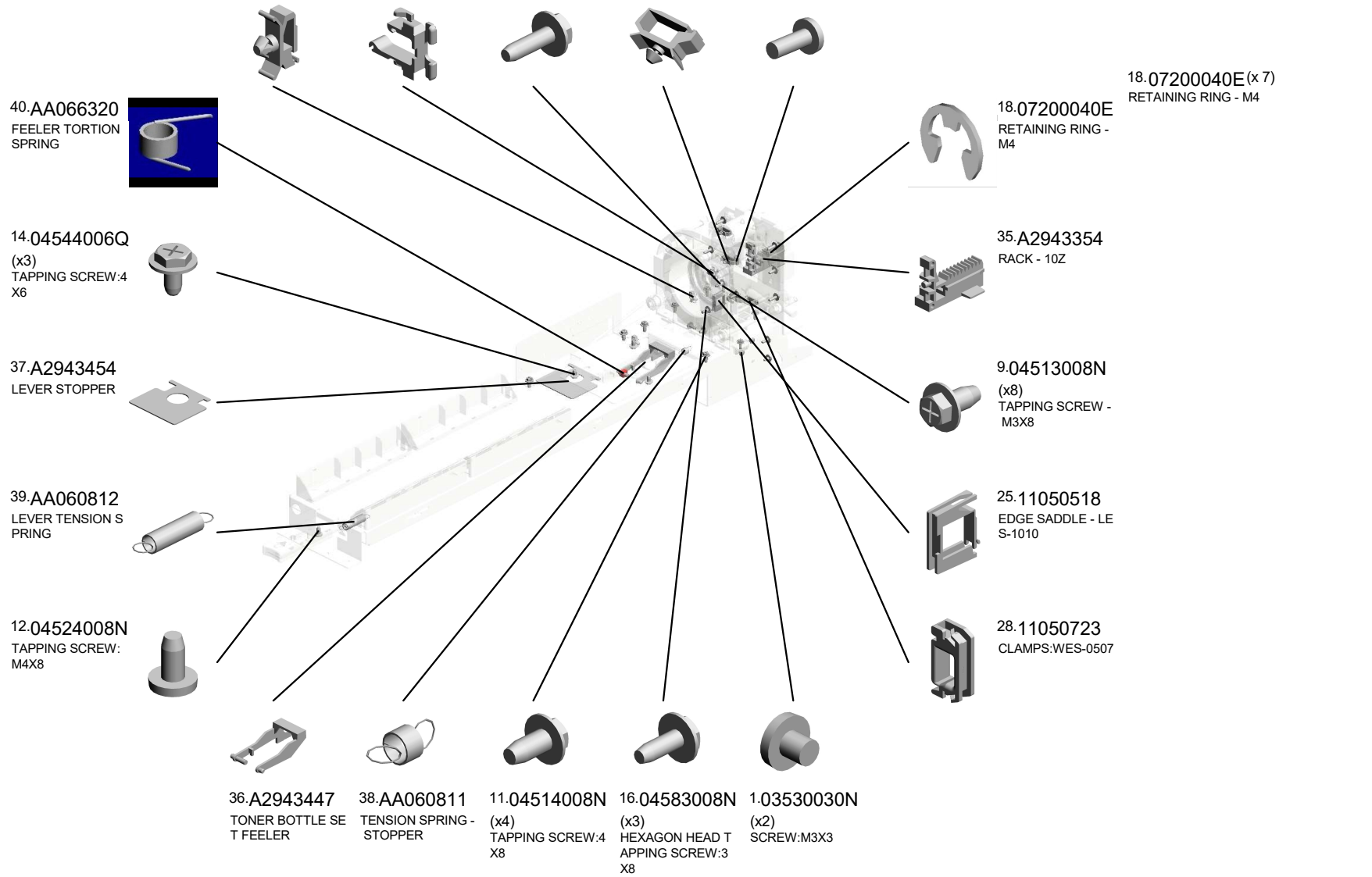
U001	U002	U003	U004	U005	U006	U007	U008	U009	U010	U011	U012	U013	U014	U015	U016	U017	U018	U019	U020
------	------	------	------	------	------	------	------	------	------	------	------	------	------	------	------	------	------	------	------

U005_S029
TONER BANK:ASS'Y

- 30.11050758 (x3) CLAMP:LWSM-030 6A
- 26.11050551 CLAMP:LES-0505
- 17.04583010N (x6) HEXAGON HEAD TAPPING SCREW:3 X10
- 31.11050760 (x3) CLAMP:LWSM-051 1A
- 2.03530080N SCREW:M3X8



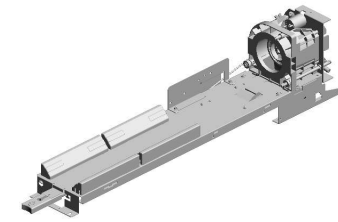
176.D0A53546
[A]
TONER BANK:ASS'
Y
201911-04 O/O



U001	U002	U003	U004	U005	U006	U007	U008	U009	U010	U011	U012	U013	U014	U015	U016	U017	U018	U019	U020
------	------	------	------	------	------	------	------	------	------	------	------	------	------	------	------	------	------	------	------

U005_S029
TONER BANK:ASS'Y

- 129.D1943632 DC MOTOR:SLIDE R:TONER BANK:ASS'Y:4.2W:BRUSH
- 54.B2343356 JOINT:CHUCK:TONER BOTTLE
- 55.D0393368 (x2) SCREW:M3X3.5
- 140.D1943713 PLATE:SHAFT:CHUCK:TONER BOTTLE
- 49.AB017515 DOUBLE GEAR - 12/23Z



176.D0A53546
[A] TONER BANK:ASS'Y
201911-04 O/O

166.GW230008
TONER END SENSOR



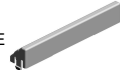
44.AA143562
SCREW:M4:DIA6X1.2



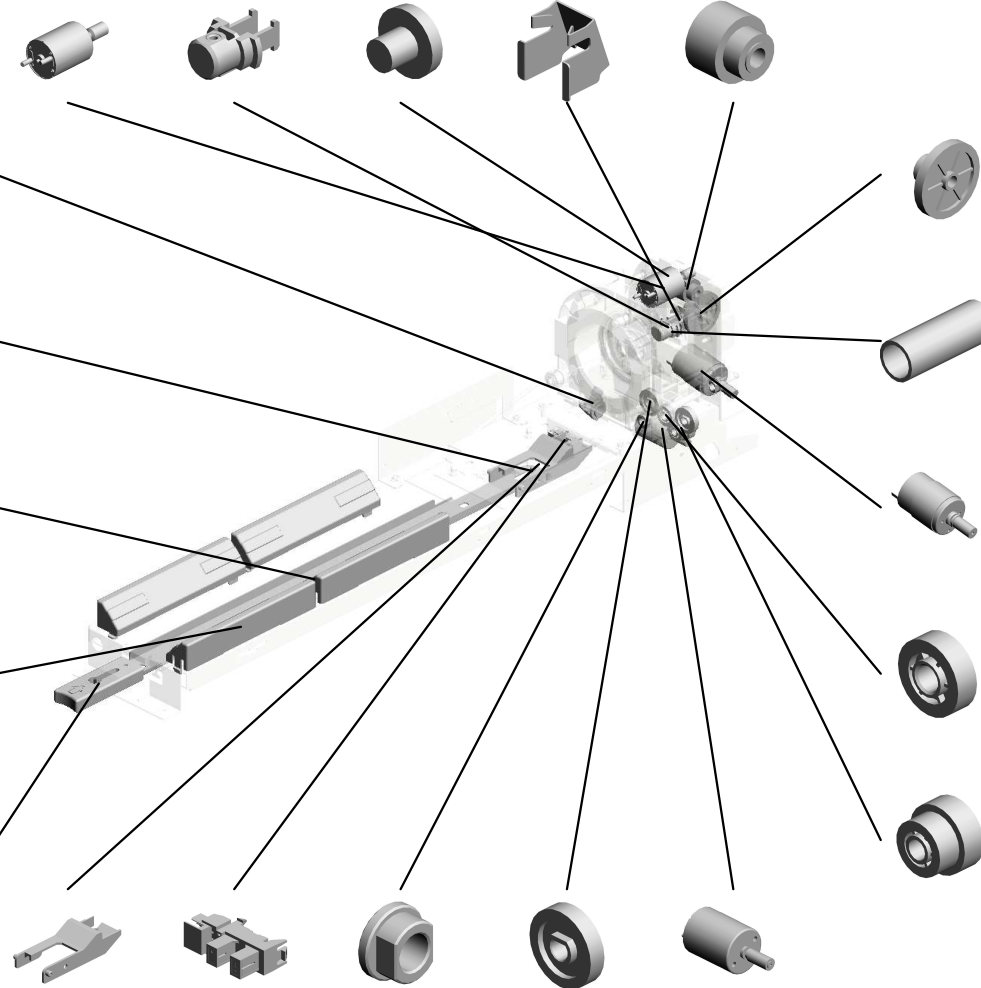
115.D1943564
LEVER:BASE:TONER BANK



117.D1943567
(x4)
GUIDE:BASE:TONER BANK



116.D1943566
GRIP:LEVER:BASE:TONER BANK



120.D1943599
GEAR:RACK:Z12:Z35



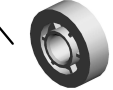
141.D1943724
COMPRESSION SPRING:PRESSURE:SLIDER:TONER BANK



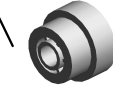
128.D1943630
DC MOTOR:DRIVE:TONER BOTTLE:ASS'Y:5.85W:BRUSH



123.D1943622
GEAR:IDLER



122.D1943621
GEAR:DC MOTOR

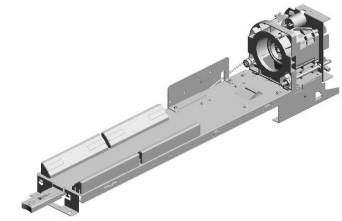


- 119.D1943589 STOPPER:TONER BOTTLE
- 165.GW020022 PHOTOINTERRUPTOR:LG2A24BL1
- 41.AA082101 (x2) BUSHING - 6X10X6
- 124.D1943623 (x2) GEAR:AGITATOR
- 108.D1582660 DC MOTOR:ASS'Y:2.64W

U001	U002	U003	U004	U005	U006	U007	U008	U009	U010	U011	U012	U013	U014	U015	U016	U017	U018	U019	U020
------	------	------	------	------	------	------	------	------	------	------	------	------	------	------	------	------	------	------	------

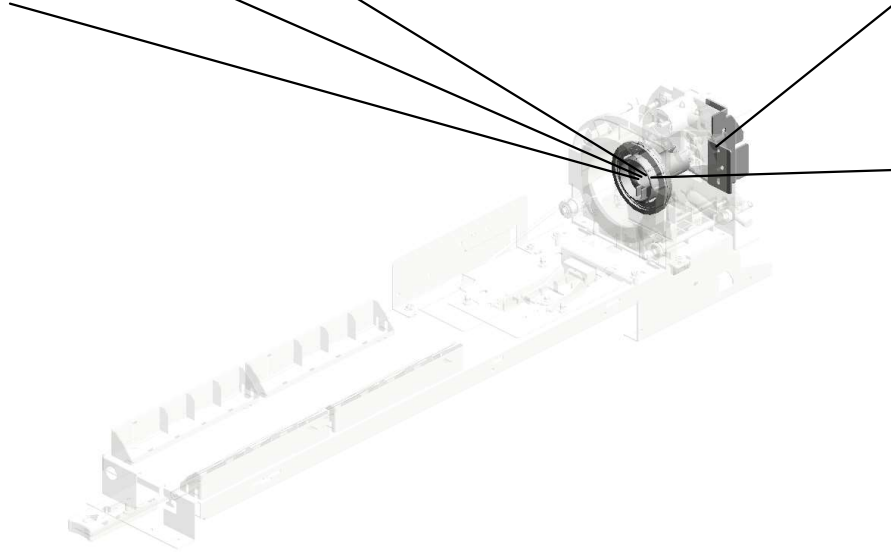
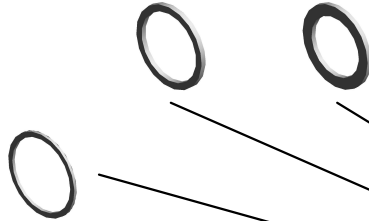
U005_S029
 TONER BANK:ASS'Y

170.D1943708 172.D0A53710
 SEAL:INNER:SLIDE SEAL:REAR:SLIDE
 R:TONER BANK R:TONER BANK:T6



176.D0A53546
 [A]
 TONER BANK:ASS'
 Y
 201911-04 O/O

171.D1943709
 SEAL:OUTER:SLID
 ER:TONER BANK



167.D0A53588
 BRACKET:RACK:S
 TOPPER



169.D1943707
 SLIDER:TONER BA
 NK



D0A53545
 [A]
 TONER BANK:ASS'
 Y
 201911-04 O/O

U001	U002	U003	U004	U005	U006	U007	U008	U009	U010	U011	U012	U013	U014	U015	U016	U017	U018	U019	U020
------	------	------	------	------	------	------	------	------	------	------	------	------	------	------	------	------	------	------	------

U005_S030
COVER:GEAR:TONER BOTTLE:ASS'Y

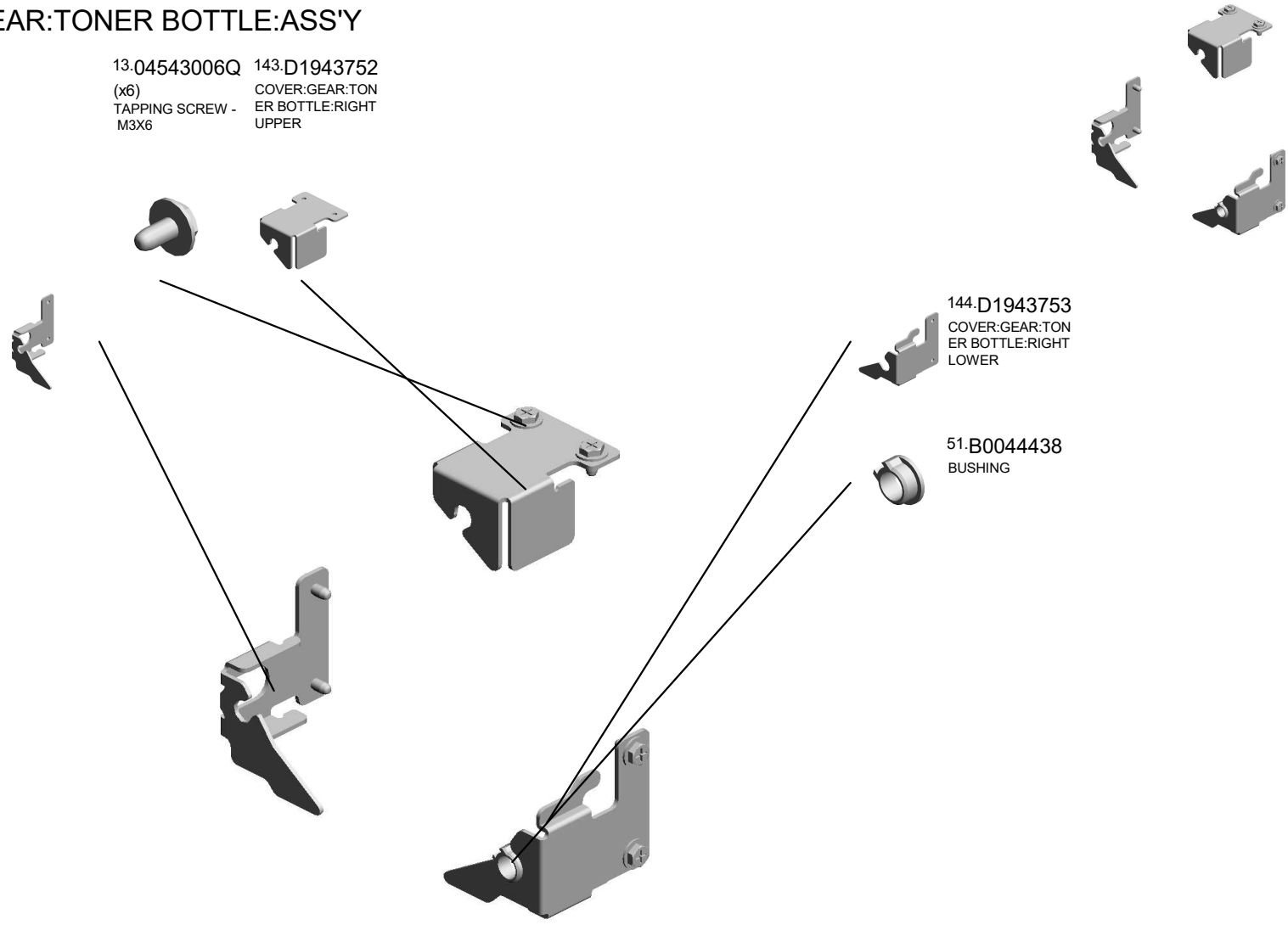
13.04543006Q 143.D1943752
(x6) COVER:GEAR:TONER BOTTLE:RIGHT UPPER
TAPPING SCREW - M3X6

139.D1943677
COVER:GEAR:TONER BOTTLE:ASS'Y

145.D1943754
COVER:GEAR:TONER BOTTLE:LEFT LOWER

144.D1943753
COVER:GEAR:TONER BOTTLE:RIGHT LOWER

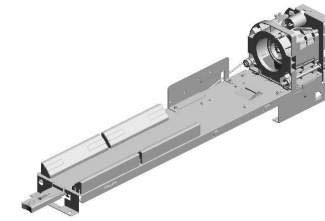
51.B0044438
BUSHING



U001	U002	U003	U004	U005	U006	U007	U008	U009	U010	U011	U012	U013	U014	U015	U016	U017	U018	U019	U020
------	------	------	------	------	------	------	------	------	------	------	------	------	------	------	------	------	------	------	------

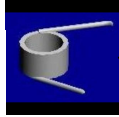
U005_S031
TONER BANK:ASS'Y

- 30.11050758 (x2) CLAMP:LWSM-030 6A
- 26.11050551 CLAMP:LES-0505
- 17.04583010N (x6) HEXAGON HEAD TAPPING SCREW:3 X10
- 31.11050760 (x3) CLAMP:LWSM-051 1A
- 2.03530080N SCREW:M3X8



176.D0A53546
[A]
TONER BANK:ASS'
Y
201911-04 O/O

40.AA066320
FEELER TORSION
SPRING



14.04544006Q
(x3)
TAPPING SCREW:4
X6



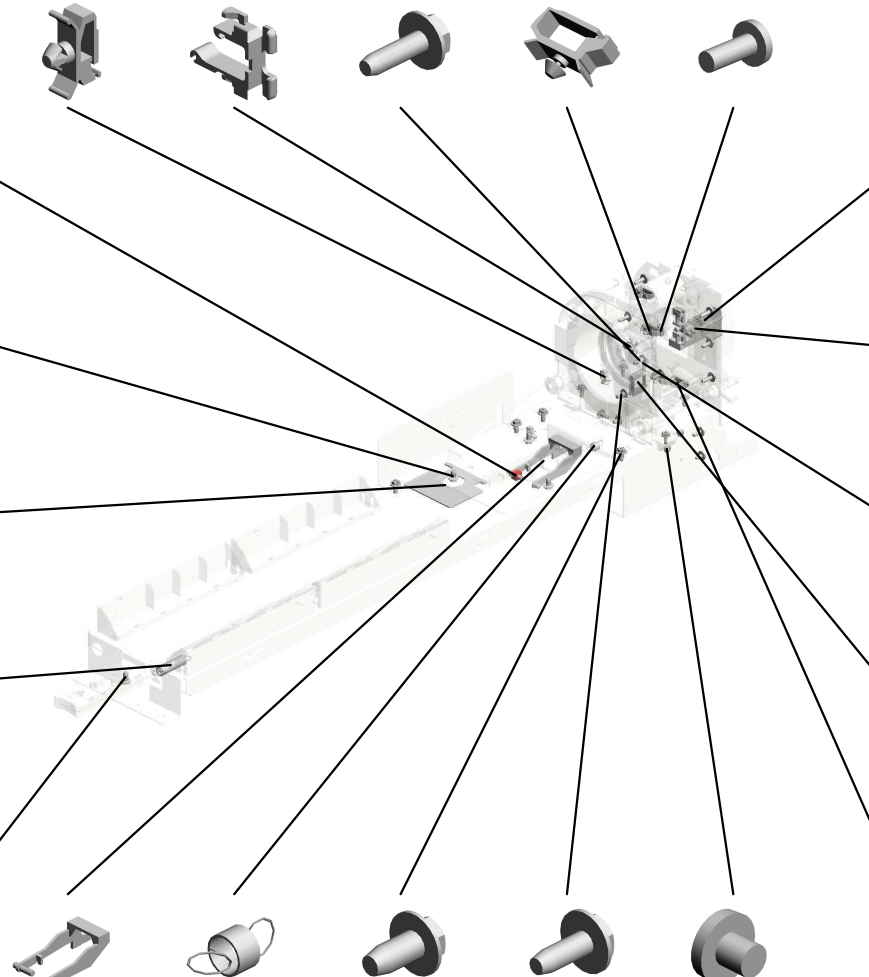
37.A2943454
LEVER STOPPER



39.AA060812
LEVER TENSION S
PRING



12.04524008N
TAPPING SCREW:
M4X8



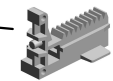
18.07200040E
RETAINING RING -
M4



30.11050758
CLAMP:LWSM-030
6A

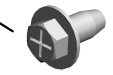


35.A2943354
RACK - 10Z

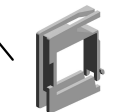


18.07200040E (x 7)
RETAINING RING - M4

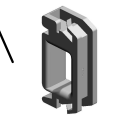
9.04513008N
(x8)
TAPPING SCREW -
M3X8



25.11050518
EDGE SADDLE - LE
S-1010



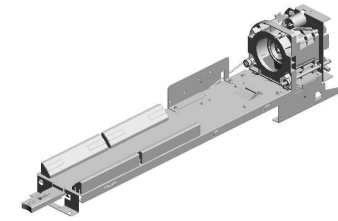
28.11050723
CLAMPS:WES-0507



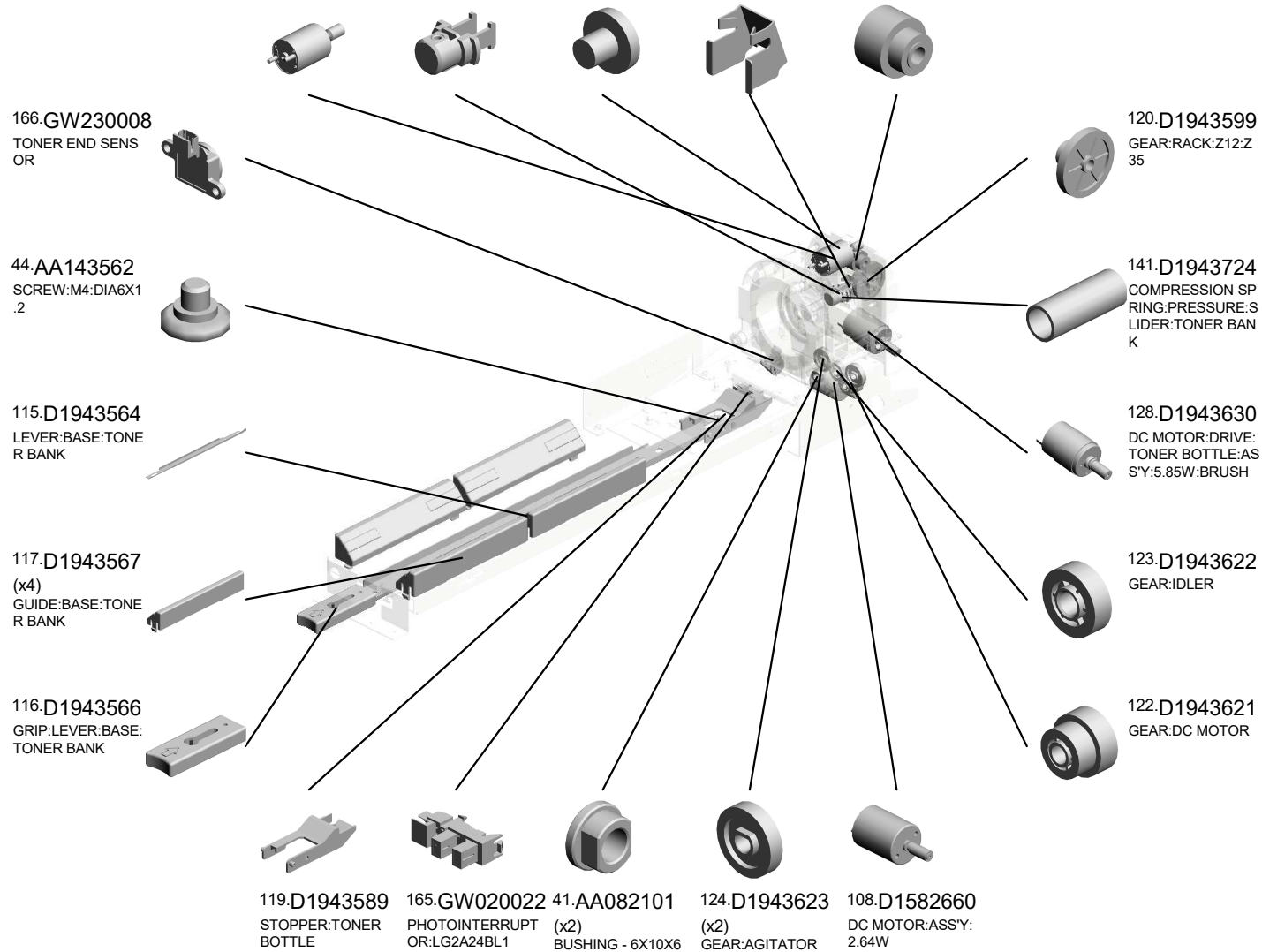
- 36.A2943447 TONER BOTTLE SE T FEELER
- 38.AA060811 TENSION SPRING - STOPPER
- 11.04514008N (x4) TAPPING SCREW:4 X8
- 16.04583008N (x3) HEXAGON HEAD TAPPING SCREW:3 X8
- 1.03530030N (x2) SCREW:M3X3

U005_S031
TONER BANK:ASS'Y

- 129.D1943632 DC MOTOR:SLIDE R:TONER BANK:ASS'Y:4.2W:BRUSH
- 54.B2343356 JOINT:CHUCK:TONER BOTTLE
- 55.D0393368 (x2) SCREW:M3X3.5
- 140.D1943713 PLATE:SHAFT:CHUCK:TONER BOTTLE
- 49.AB017515 DOUBLE GEAR - 12/23Z



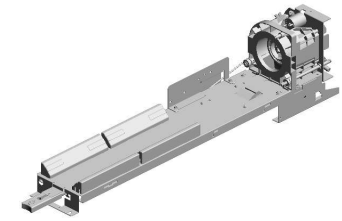
176.D0A53546
[A]
TONER BANK:ASS'Y
201911-04 O/O



U001	U002	U003	U004	U005	U006	U007	U008	U009	U010	U011	U012	U013	U014	U015	U016	U017	U018	U019	U020
------	------	------	------	------	------	------	------	------	------	------	------	------	------	------	------	------	------	------	------

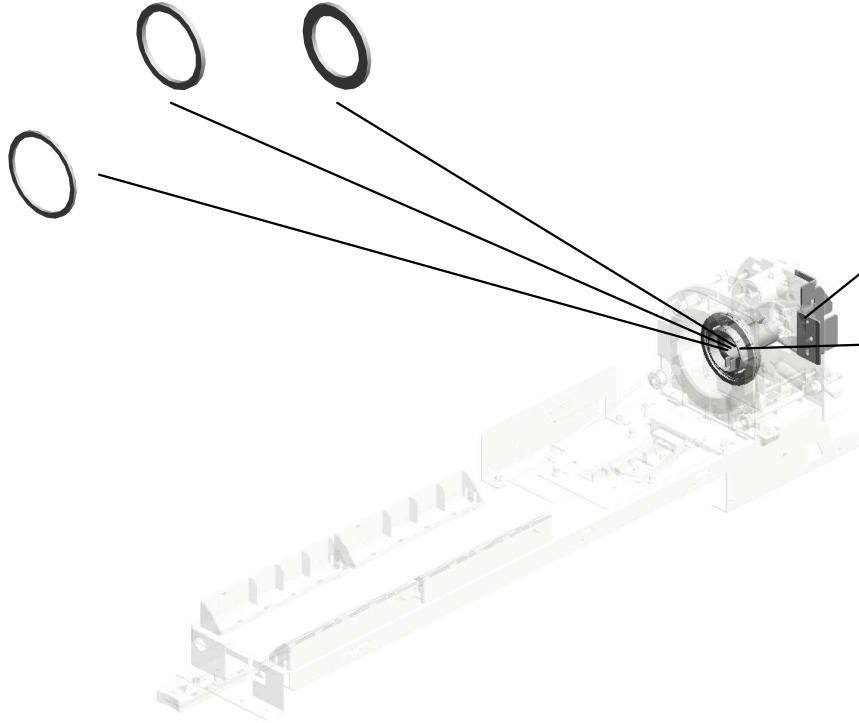
U005_S031
 TONER BANK:ASS'Y

170.D1943708 172.D0A53710
 SEAL:INNER:SLIDE SEAL:REAR:SLIDE
 R:TONER BANK R:TONER BANK:T6



176.D0A53546
 [A]
 TONER BANK:ASS'
 Y
 201911-04 O/O

171.D1943709
 SEAL:OUTER:SLID
 ER:TONER BANK



167.D0A53588
 BRACKET:RACK:S
 TOPPER



169.D1943707
 SLIDER:TONER BA
 NK



D0A53545
 [A]
 TONER BANK:ASS'
 Y
 201911-04 O/O

U001	U002	U003	U004	U005	U006	U007	U008	U009	U010	U011	U012	U013	U014	U015	U016	U017	U018	U019	U020
------	------	------	------	------	------	------	------	------	------	------	------	------	------	------	------	------	------	------	------

U005_S032
COVER:GEAR:TONER BOTTLE:ASS'Y

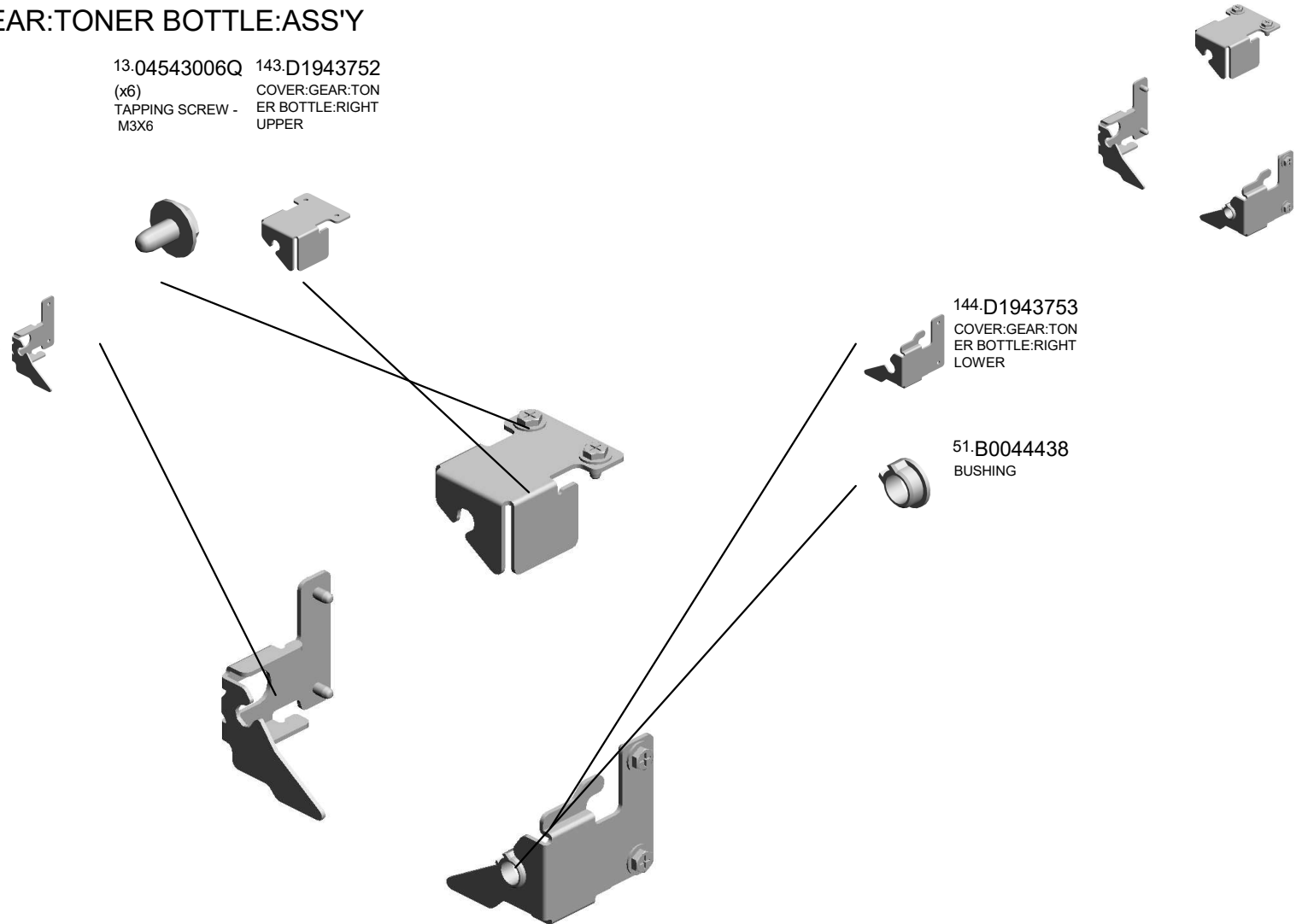
13.04543006Q 143.D1943752
(x6) COVER:GEAR:TONER BOTTLE:RIGHT UPPER
TAPPING SCREW - M3X6

139.D1943677
COVER:GEAR:TONER BOTTLE:ASS'Y

145.D1943754
COVER:GEAR:TONER BOTTLE:LEFT LOWER

144.D1943753
COVER:GEAR:TONER BOTTLE:RIGHT LOWER

51.B0044438
BUSHING



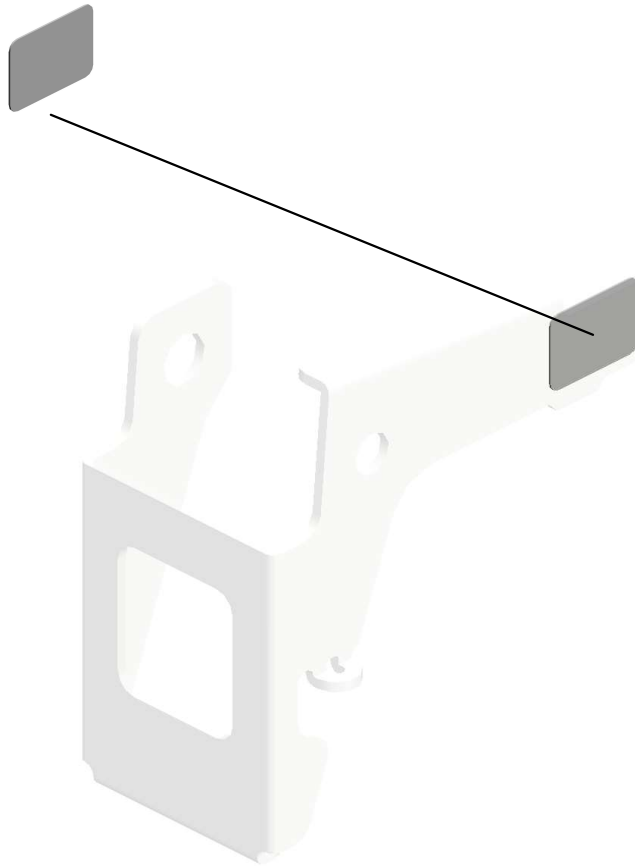
U001	U002	U003	U004	U005	U006	U007	U008	U009	U010	U011	U012	U013	U014	U015	U016	U017	U018	U019	U020
------	------	------	------	------	------	------	------	------	------	------	------	------	------	------	------	------	------	------	------

U005_S033
FEELER:SENSOR:ON OFF DETECTOR:TONER BANK:ASS'Y

69.D0743756
SEAL:BLOCK LIGHT
T:LEVER



130.D1943640
FEELER:SENSOR:
ON OFF DETECTO
R:TONER BANK:AS
S'Y



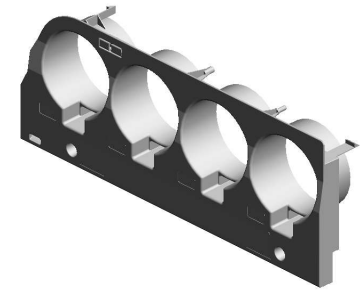
U001	U002	U003	U004	U005	U006	U007	U008	U009	U010	U011	U012	U013	U014	U015	U016	U017	U018	U019	U020
------	------	------	------	------	------	------	------	------	------	------	------	------	------	------	------	------	------	------	------

U005_S034
INNER COVER:TONER BANK:ASS'Y

70.D0743757 MAGNET CATCH P
LEET:TONER SUPP
LY SUB-UNIT:UPPE
R

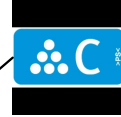
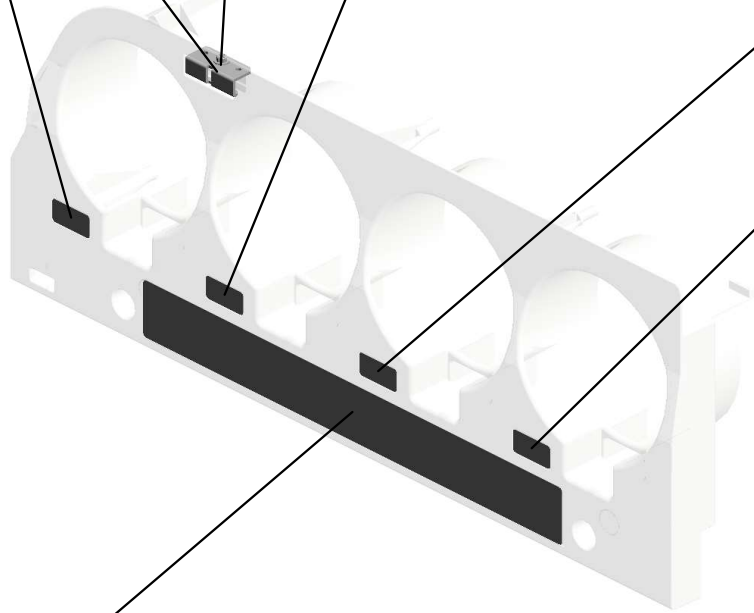
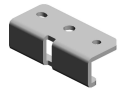
7.04504008N TAPPING SCREW -
M4X8

136.D1943662 DECAL:COLORED
DISPLAY:TONER B
ANK:M

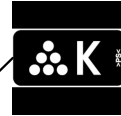


133.D1943655
INNER COVER:TO
NER BANK:ASS'Y

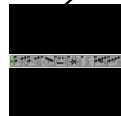
137.D1943663
DECAL:COLORED
DISPLAY:TONER B
ANK:Y



135.D1943661
DECAL:COLORED
DISPLAY:TONER B
ANK:C



134.D1943660
DECAL:COLORED
DISPLAY:TONER B
ANK:K



138.D1943664
DECAL:OPERATE:T
ONER BOTTLE:4C

U001	U002	U003	U004	U005	U006	U007	U008	U009	U010	U011	U012	U013	U014	U015	U016	U017	U018	U019	U020
------	------	------	------	------	------	------	------	------	------	------	------	------	------	------	------	------	------	------	------

U005_S035

(Pro C7200S/C7210S/C7200SL/C7200/C7200e/C7210):INNER COVER:TONER SUPPLY:4ST:ASS'Y

164.D3551333
SHIELDING PLATE:
SAFETY SWITCH:D
OOR

97.D0A53763
(Pro C7200S/C7210
S/C7200SL/C7200/
C7200e/C7210):INN
ER COVER:TONER
SUPPLY:4ST:ASS'Y



147.D1943767
MAGNET CATCH P
LATE:FRONT UPPE
R

8.04504012N(x 1)
TAPPING SCREW:4X12
11.04514008N(x 2)
TAPPING SCREW:4X8

U001	U002	U003	U004	U005	U006	U007	U008	U009	U010	U011	U012	U013	U014	U015	U016	U017	U018	U019	U020
------	------	------	------	------	------	------	------	------	------	------	------	------	------	------	------	------	------	------	------

U005_S036

(Pro C7200S/C7210S/C7200SL/C7200/C7200e/C7210):INNER COVER:DUMMY:5ST:TONER SUPPLY:ASS'Y

5.04503008N

(x2)
TAPPING SCREW -
M3X8



96.D0A53760

(Pro C7200S/C7210
S/C7200SL/C7200/
C7200e/C7210):INN
ER COVER:DUMMY
.5ST:TONER SUPP
LY:ASS'Y

U001	U002	U003	U004	U005	U006	U007	U008	U009	U010	U011	U012	U013	U014	U015	U016	U017	U018	U019	U020
------	------	------	------	------	------	------	------	------	------	------	------	------	------	------	------	------	------	------	------

U006.PCDU

U006 S006
D0743446
RECEPTACLE:DEVELOPME
NT BIAS:ASS'Y

U006 S004
D0A52269
ELECTRIC POTENTIAL SENS
OR

U006 S007
D0743446
RECEPTACLE:DEVELOPME
NT BIAS:ASS'Y

U006 S005
D0743446
RECEPTACLE:DEVELOPME
NT BIAS:ASS'Y

U006 S008
D0743446
RECEPTACLE:DEVELOPME
NT BIAS:ASS'Y

U006 S002
D0A52269
ELECTRIC POTENTIAL SENS
OR

U006 S009
D0743446
RECEPTACLE:DEVELOPME
NT BIAS:ASS'Y

U006 S003
D0A52269
ELECTRIC POTENTIAL SENS
OR

U006 S001
D0A52269
ELECTRIC POTENTIAL SENS
OR

U006 S011
D0A52302
PCU:ASS'Y

U006 S010
D0A52150
CHARGE UNIT:ASS'Y

U006 S012
D0A52320
CLEANING UNIT:ASS'Y

U001	U002	U003	U004	U005	U006	U007	U008	U009	U010	U011	U012	U013	U014	U015	U016	U017	U018	U019	U020
------	------	------	------	------	------	------	------	------	------	------	------	------	------	------	------	------	------	------	------

U006.PCDU

U006 S022
D0A52150
CHARGE UNIT:ASS'Y

U006 S019
D0A52150
CHARGE UNIT:ASS'Y

U006 S021
D0A52320
CLEANING UNIT:ASS'Y

U006 S023
D0A52302
PCU:ASS'Y

U006 S016
D0A52150
CHARGE UNIT:ASS'Y

U006 S024
D0A52320
CLEANING UNIT:ASS'Y

U006 S013
D0A52150
CHARGE UNIT:ASS'Y

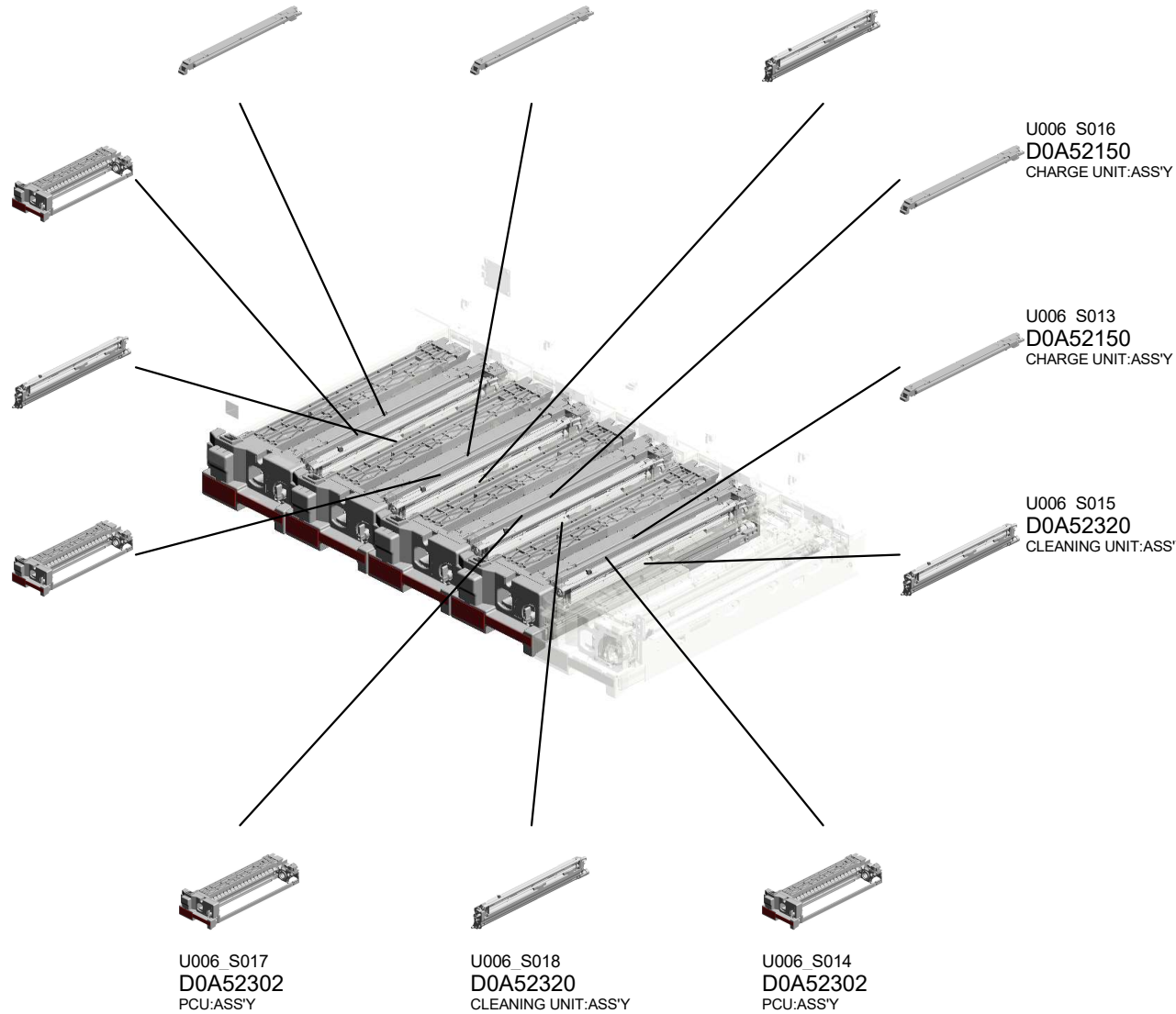
U006 S020
D0A52302
PCU:ASS'Y

U006 S015
D0A52320
CLEANING UNIT:ASS'Y

U006 S017
D0A52302
PCU:ASS'Y

U006 S018
D0A52320
CLEANING UNIT:ASS'Y

U006 S014
D0A52302
PCU:ASS'Y



U001	U002	U003	U004	U005	U006	U007	U008	U009	U010	U011	U012	U013	U014	U015	U016	U017	U018	U019	U020
------	------	------	------	------	------	------	------	------	------	------	------	------	------	------	------	------	------	------	------

U006.PCDU

U006 S030
D0743446
RECEPTACLE:DEVELOPME
NT BIAS:ASS'Y

U006 S028
D0A52269
ELECTRIC POTENTIAL SENS
OR

U006 S031
D0743446
RECEPTACLE:DEVELOPME
NT BIAS:ASS'Y

U006 S029
D0743446
RECEPTACLE:DEVELOPME
NT BIAS:ASS'Y

U006 S032
D0743446
RECEPTACLE:DEVELOPME
NT BIAS:ASS'Y

U006 S026
D0A52269
ELECTRIC POTENTIAL SENS
OR

U006 S033
D0743446
RECEPTACLE:DEVELOPME
NT BIAS:ASS'Y

U006 S027
D0A52269
ELECTRIC POTENTIAL SENS
OR

U006 S025
D0A52269
ELECTRIC POTENTIAL SENS
OR

U006 S035
D0A52302
PCU:ASS'Y

U006 S034
D0A52150
CHARGE UNIT:ASS'Y

U006 S036
D0A52320
CLEANING UNIT:ASS'Y

U001	U002	U003	U004	U005	U006	U007	U008	U009	U010	U011	U012	U013	U014	U015	U016	U017	U018	U019	U020
------	------	------	------	------	------	------	------	------	------	------	------	------	------	------	------	------	------	------	------

U006.PCDU

U006 S043
D0A52150
CHARGE UNIT:ASS'Y

U006 S041
D0A52302
PCU:ASS'Y

U006 S040
D0A52150
CHARGE UNIT:ASS'Y

U006 S044
D0A52302
PCU:ASS'Y

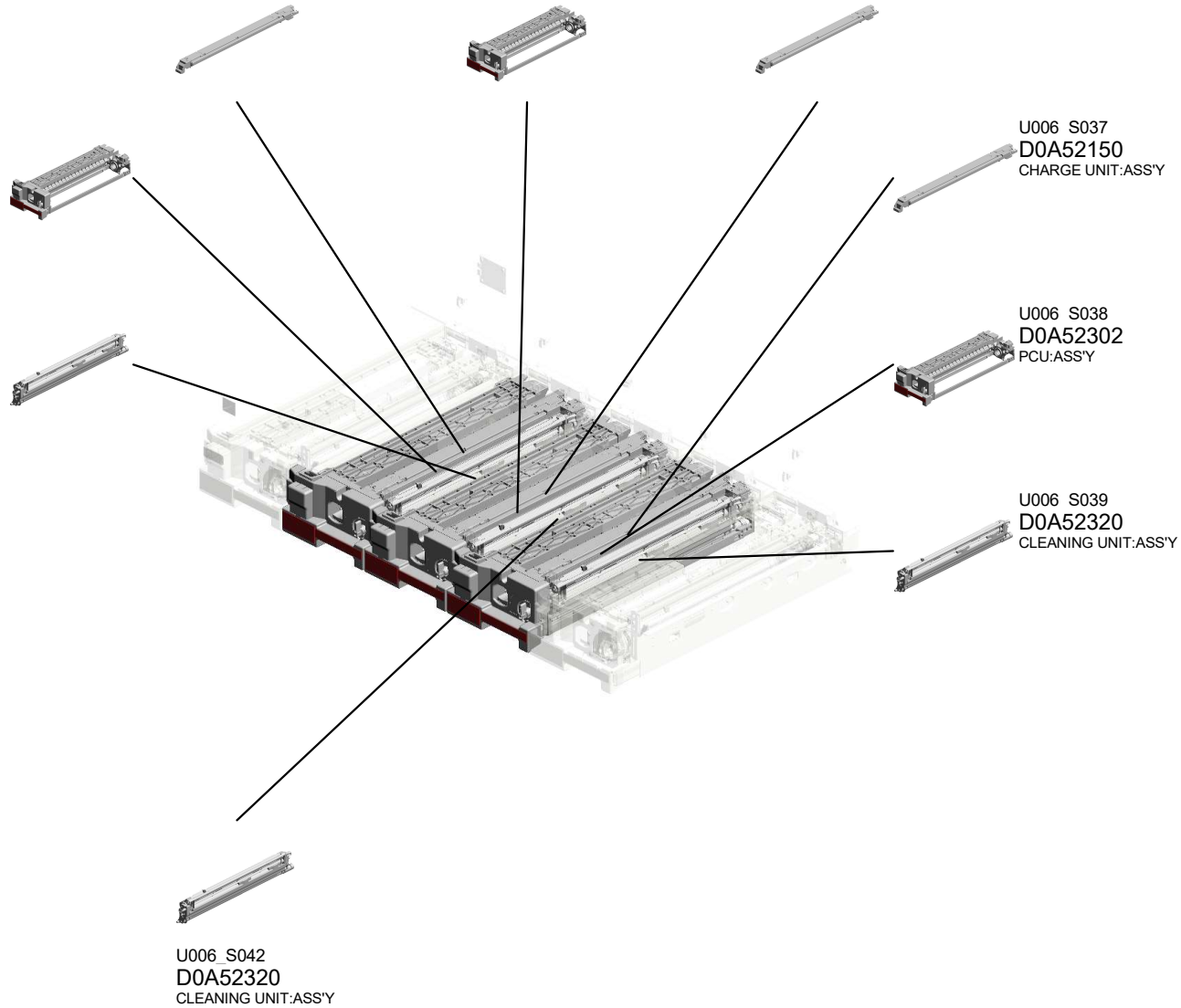
U006 S037
D0A52150
CHARGE UNIT:ASS'Y

U006 S045
D0A52320
CLEANING UNIT:ASS'Y

U006 S038
D0A52302
PCU:ASS'Y

U006 S039
D0A52320
CLEANING UNIT:ASS'Y

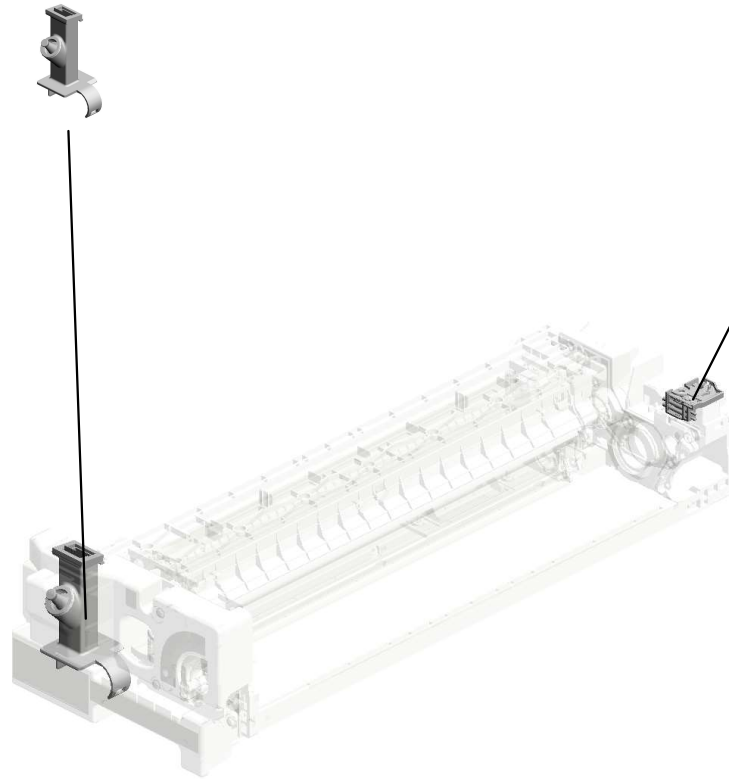
U006 S042
D0A52320
CLEANING UNIT:ASS'Y



U001	U002	U003	U004	U005	U006	U007	U008	U009	U010	U011	U012	U013	U014	U015	U016	U017	U018	U019	U020
------	------	------	------	------	-------------	------	------	------	------	------	------	------	------	------	------	------	------	------	------

U006_S011.PCU:ASS'Y

U006 S011 S001
D0A53316
GUIDE:TONER SUPPLY:ASS'
Y



U006 S011 S002
D1942531
TERMINAL:PAPER VOLUME
SENSOR:COATING BAR:ASS'
Y

U001	U002	U003	U004	U005	U006	U007	U008	U009	U010	U011	U012	U013	U014	U015	U016	U017	U018	U019	U020
------	------	------	------	------	-------------	------	------	------	------	------	------	------	------	------	------	------	------	------	------

U006_S012.CLEANING UNIT:ASS'Y

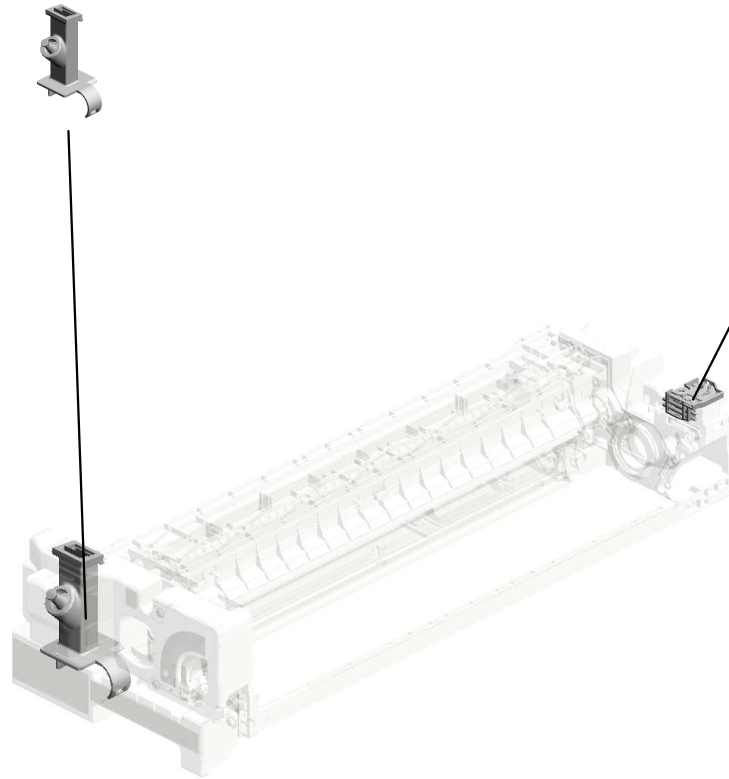
U006 S012 S002
D1942550
GEAR:CLEANING:DRUM:SER
VICE



U001	U002	U003	U004	U005	U006	U007	U008	U009	U010	U011	U012	U013	U014	U015	U016	U017	U018	U019	U020
------	------	------	------	------	-------------	------	------	------	------	------	------	------	------	------	------	------	------	------	------

U006_S014.PCU:ASS'Y

U006 S014 S001
D0A53316
GUIDE:TONER SUPPLY:ASS'
Y



U006 S014 S002
D1942531
TERMINAL:PAPER VOLUME
SENSOR:COATING BAR:ASS'
Y

U001	U002	U003	U004	U005	U006	U007	U008	U009	U010	U011	U012	U013	U014	U015	U016	U017	U018	U019	U020
------	------	------	------	------	-------------	------	------	------	------	------	------	------	------	------	------	------	------	------	------

U006_S015.CLEANING UNIT:ASS'Y

U006 S015 S002
D1942550
GEAR:CLEANING:DRUM:SER
VICE

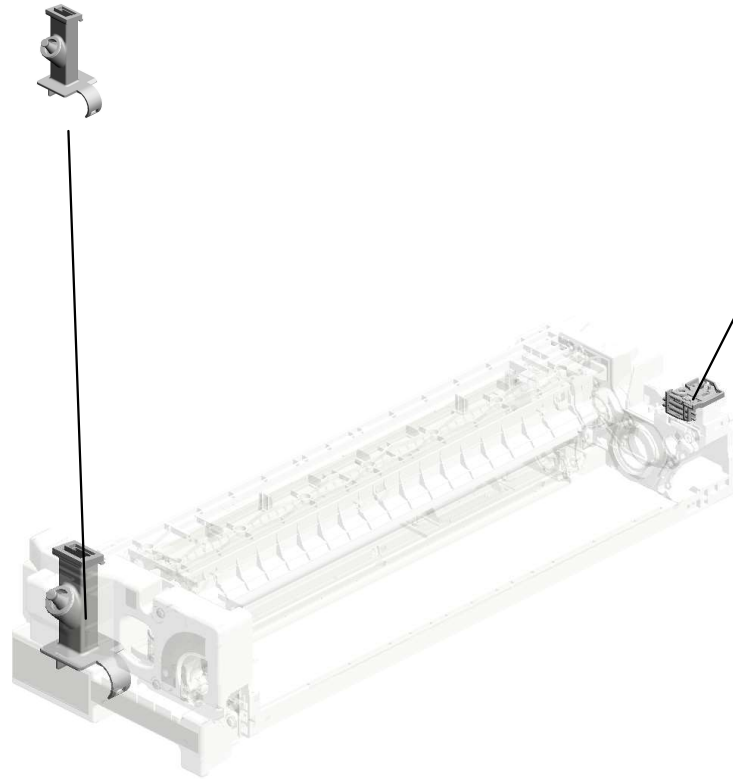


U006 S015 S001
D1942475
STAY:APPLY:ASS'Y

U001	U002	U003	U004	U005	U006	U007	U008	U009	U010	U011	U012	U013	U014	U015	U016	U017	U018	U019	U020
------	------	------	------	------	-------------	------	------	------	------	------	------	------	------	------	------	------	------	------	------

U006_S017.PCU:ASS'Y

U006 S017 S001
D0A53316
GUIDE:TONER SUPPLY:ASS'
Y



U006 S017 S002
D1942531
TERMINAL:PAPER VOLUME
SENSOR:COATING BAR:ASS'
Y

U001	U002	U003	U004	U005	U006	U007	U008	U009	U010	U011	U012	U013	U014	U015	U016	U017	U018	U019	U020
------	------	------	------	------	-------------	------	------	------	------	------	------	------	------	------	------	------	------	------	------

U006_S018.CLEANING UNIT:ASS'Y

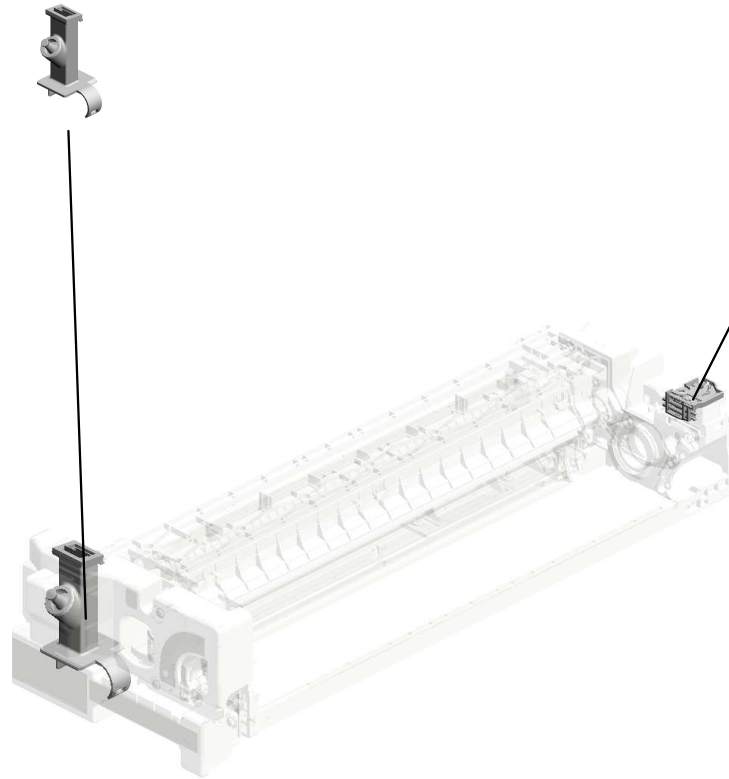
U006 S018 S002
D1942550
GEAR:CLEANING:DRUM:SER
VICE



U001	U002	U003	U004	U005	U006	U007	U008	U009	U010	U011	U012	U013	U014	U015	U016	U017	U018	U019	U020
------	------	------	------	------	-------------	------	------	------	------	------	------	------	------	------	------	------	------	------	------

U006_S020.PCU:ASS'Y

U006 S020 S001
D0A53316
GUIDE:TONER SUPPLY:ASS'
Y



U006 S020 S002
D1942531
TERMINAL:PAPER VOLUME
SENSOR:COATING BAR:ASS'
Y

U001	U002	U003	U004	U005	U006	U007	U008	U009	U010	U011	U012	U013	U014	U015	U016	U017	U018	U019	U020
------	------	------	------	------	-------------	------	------	------	------	------	------	------	------	------	------	------	------	------	------

U006_S021.CLEANING UNIT:ASS'Y

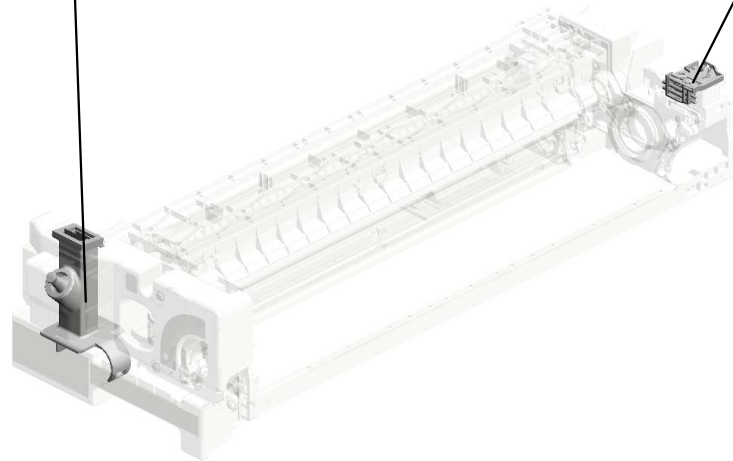
U006 S021 S002
D1942550
GEAR:CLEANING:DRUM:SER
VICE



U001	U002	U003	U004	U005	U006	U007	U008	U009	U010	U011	U012	U013	U014	U015	U016	U017	U018	U019	U020
------	------	------	------	------	-------------	------	------	------	------	------	------	------	------	------	------	------	------	------	------

U006_S023.PCU:ASS'Y

U006 S023 S001
D0A53316
GUIDE:TONER SUPPLY:ASS'
Y



U006 S023 S002
D1942531
TERMINAL:PAPER VOLUME
SENSOR:COATING BAR:ASS'
Y

U001	U002	U003	U004	U005	U006	U007	U008	U009	U010	U011	U012	U013	U014	U015	U016	U017	U018	U019	U020
------	------	------	------	------	-------------	------	------	------	------	------	------	------	------	------	------	------	------	------	------

U006_S024.CLEANING UNIT:ASS'Y

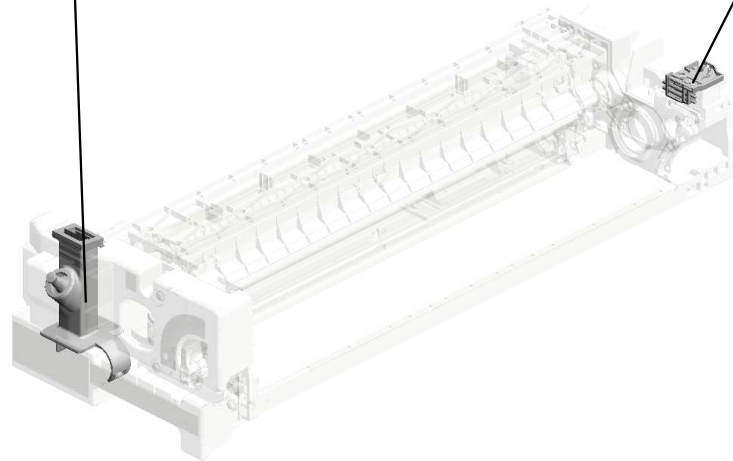
U006 S024 S002
D1942550
GEAR:CLEANING:DRUM:SER
VICE



U001	U002	U003	U004	U005	U006	U007	U008	U009	U010	U011	U012	U013	U014	U015	U016	U017	U018	U019	U020
------	------	------	------	------	-------------	------	------	------	------	------	------	------	------	------	------	------	------	------	------

U006_S035.PCU:ASS'Y

U006 S035 S001
D0A53316
GUIDE:TONER SUPPLY:ASS'
Y



U006 S035 S002
D1942531
TERMINAL:PAPER VOLUME
SENSOR:COATING BAR:ASS'
Y

U001	U002	U003	U004	U005	U006	U007	U008	U009	U010	U011	U012	U013	U014	U015	U016	U017	U018	U019	U020
------	------	------	------	------	-------------	------	------	------	------	------	------	------	------	------	------	------	------	------	------

U006_S036.CLEANING UNIT:ASS'Y

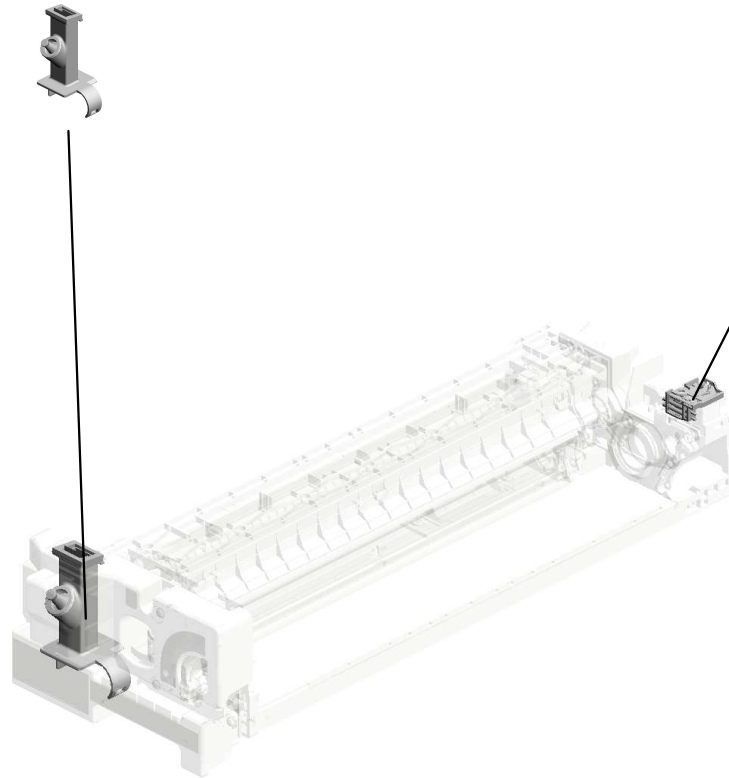
U006 S036 S002
D1942550
GEAR:CLEANING:DRUM:SER
VICE



U001	U002	U003	U004	U005	U006	U007	U008	U009	U010	U011	U012	U013	U014	U015	U016	U017	U018	U019	U020
------	------	------	------	------	-------------	------	------	------	------	------	------	------	------	------	------	------	------	------	------

U006_S038.PCU:ASS'Y

U006 S038 S001
D0A53316
GUIDE:TONER SUPPLY:ASS'
Y



U006 S038 S002
D1942531
TERMINAL:PAPER VOLUME
SENSOR:COATING BAR:ASS'
Y

U001	U002	U003	U004	U005	U006	U007	U008	U009	U010	U011	U012	U013	U014	U015	U016	U017	U018	U019	U020
------	------	------	------	------	-------------	------	------	------	------	------	------	------	------	------	------	------	------	------	------

U006_S039.CLEANING UNIT:ASS'Y

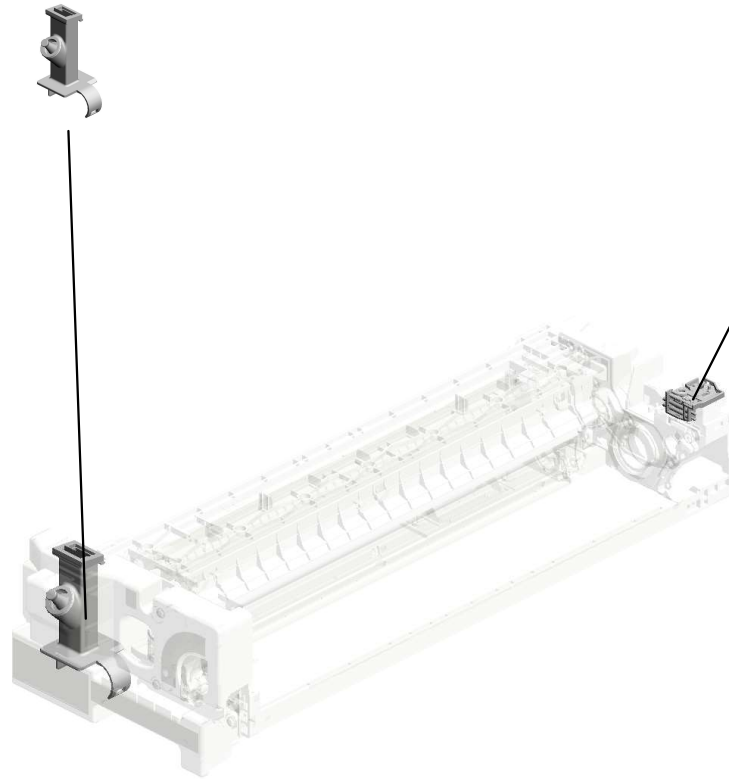
U006 S039 S002
D1942550
GEAR:CLEANING:DRUM:SER
VICE



U001	U002	U003	U004	U005	U006	U007	U008	U009	U010	U011	U012	U013	U014	U015	U016	U017	U018	U019	U020
------	------	------	------	------	-------------	------	------	------	------	------	------	------	------	------	------	------	------	------	------

U006_S041.PCU:ASS'Y

U006 S041 S001
D0A53316
GUIDE:TONER SUPPLY:ASS'
Y



U006 S041 S002
D1942531
TERMINAL:PAPER VOLUME
SENSOR:COATING BAR:ASS'
Y

U001	U002	U003	U004	U005	U006	U007	U008	U009	U010	U011	U012	U013	U014	U015	U016	U017	U018	U019	U020
------	------	------	------	------	-------------	------	------	------	------	------	------	------	------	------	------	------	------	------	------

U006_S042.CLEANING UNIT:ASS'Y

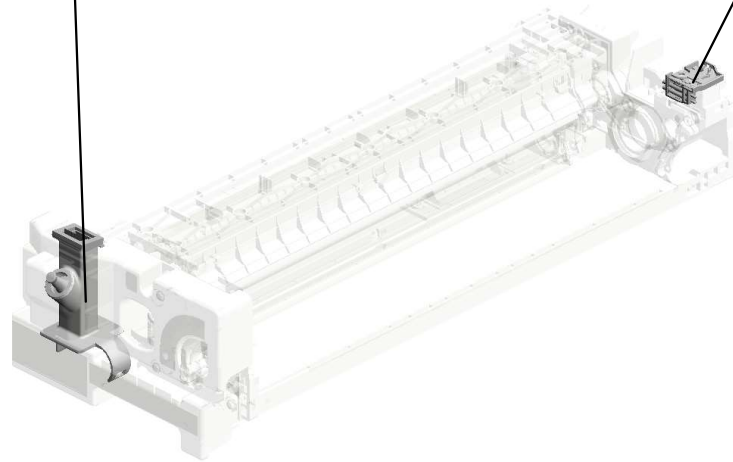
U006 S042 S002
D1942550
GEAR:CLEANING:DRUM:SER
VICE



U001	U002	U003	U004	U005	U006	U007	U008	U009	U010	U011	U012	U013	U014	U015	U016	U017	U018	U019	U020
------	------	------	------	------	-------------	------	------	------	------	------	------	------	------	------	------	------	------	------	------

U006_S044.PCU:ASS'Y

U006 S044 S001
D0A53316
GUIDE:TONER SUPPLY:ASS'
Y



U006 S044 S002
D1942531
TERMINAL:PAPER VOLUME
SENSOR:COATING BAR:ASS'
Y

U001	U002	U003	U004	U005	U006	U007	U008	U009	U010	U011	U012	U013	U014	U015	U016	U017	U018	U019	U020
------	------	------	------	------	-------------	------	------	------	------	------	------	------	------	------	------	------	------	------	------

U006_S045.CLEANING UNIT:ASS'Y

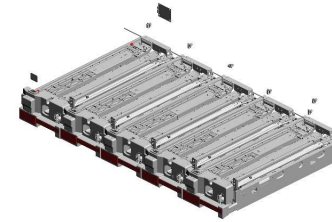
U006 S045 S002
D1942550
GEAR:CLEANING:DRUM:SER
VICE



U001	U002	U003	U004	U005	U006	U007	U008	U009	U010	U011	U012	U013	U014	U015	U016	U017	U018	U019	U020
------	------	------	------	------	-------------	------	------	------	------	------	------	------	------	------	------	------	------	------	------

U006
PCDU

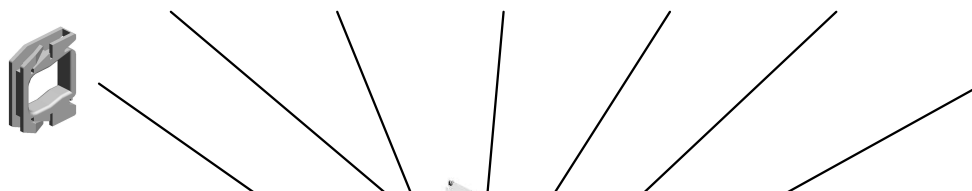
- 13.11050508 (x20) HARNESS CLAMP - LWS-0711
- 28.D0742181 (x10) CONNECTOR:1POL E
- 7.04514008N (x40) TAPPING SCREW:4 X8
- 19.AW500045 (x10) PUSH SWITCH
- 1.03530030N (x18) SCREW:M3X3



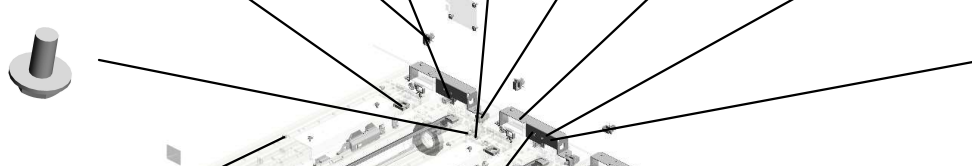
- 16.11050724 (x9) CLAMPS:WES-1210



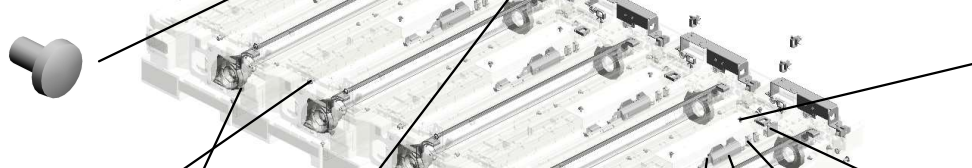
- 5.03603006N (x32) SCREW - M3X6



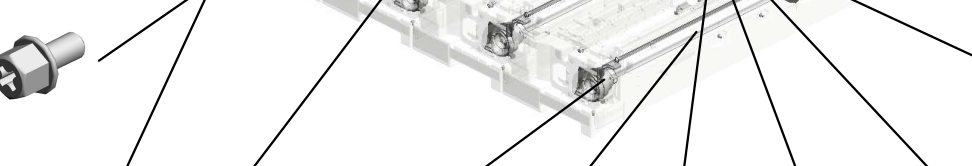
- 2.03530050N (x70) SCREW-M3X5



- 20.B2342390 (x9) FLANGED HEXAGONAL HEAD BOLT:M 4X8



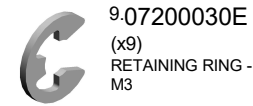
- 21.B2591131 (x8) SCREW:PCU



- 26.D0742172 (x9) BRACKET:SOLENOID:ON-OFF
- 22.D0142380 (x9) COMPRESSION SPRING - DRUM
- 30.D0742252 (x9) FRAME:PHOTOCOINDUCTOR
- 24.D0143656 (x9) HOLDER:ELECTRIC POTENTIAL SENSOR
- 25.D0143657 (x8) SHIELDING PLATE



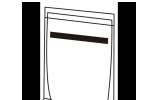
- 9.07200030E (x9) RETAINING RING - M3



- 21.B2591131 (x20) SCREW:PCU



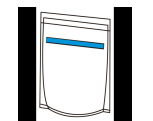
- 82.D0A59640 (x2) DEVELOPER BLACK



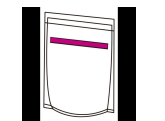
- 27.D0742178 (x9) TENSION SPRING: SOLENOID:ON-OFF



- 83.D0A59660 (x2) DEVELOPER CYAN



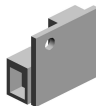
- 84.D0A59670 (x2) DEVELOPER MAGENTA



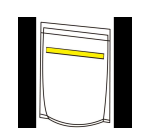
- 8.04543006Q (x22) TAPPING SCREW - M3X6



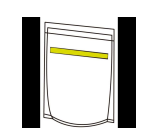
- 18.AW140015 (x2) TEMPERATURE & HUMIDITY SENSOR



- 85.D0A59680 (x2) DEVELOPER YELLOW



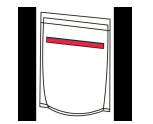
- 136.D0A59705 (x2) DEVELOPER NEON YELLOW 202002-01 O/O



- 14.11050516 (x18) CLAMP



- 137.D0A59725 (x2) DEVELOPER INVISIBLE-RED 202002-02 O/O

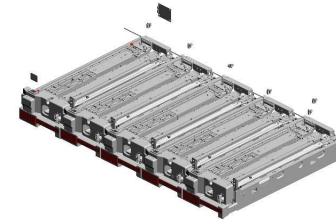


- 138.D0A59715 (x2) DEVELOPER NEON-PINK 202005-08 O/O

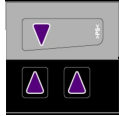


U006
PCDU

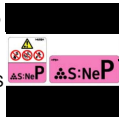
- 111.D1942566 (x2) GUIDE PLATE:SLIDE RAIL:PCU:S:PEEN
- 97.D1942277 ELECTRIC POTENTIAL SENSOR
- 98.D1942290 (Pro C7200SX/C7210SX/C7200X/C7210X):DC SOLENOID:ON-OFF:S:ASSY
- 62.D0742575 (x10) ARM:SET SENSOR:PCU
- 64.D0742577 (x10) CONNECTOR:DRAWER:4POLE:REC



110.D1942562
(Pro C7200SX/C7210SX/C7200X/C7210X):DECAL:PCU:TCRU:5ST



120.D1948523
(Pro C7200SX/C7210SX/C7200X/C7210X):SERVICE PARTS:DECAL:NEON-P:ASSY 201804-02



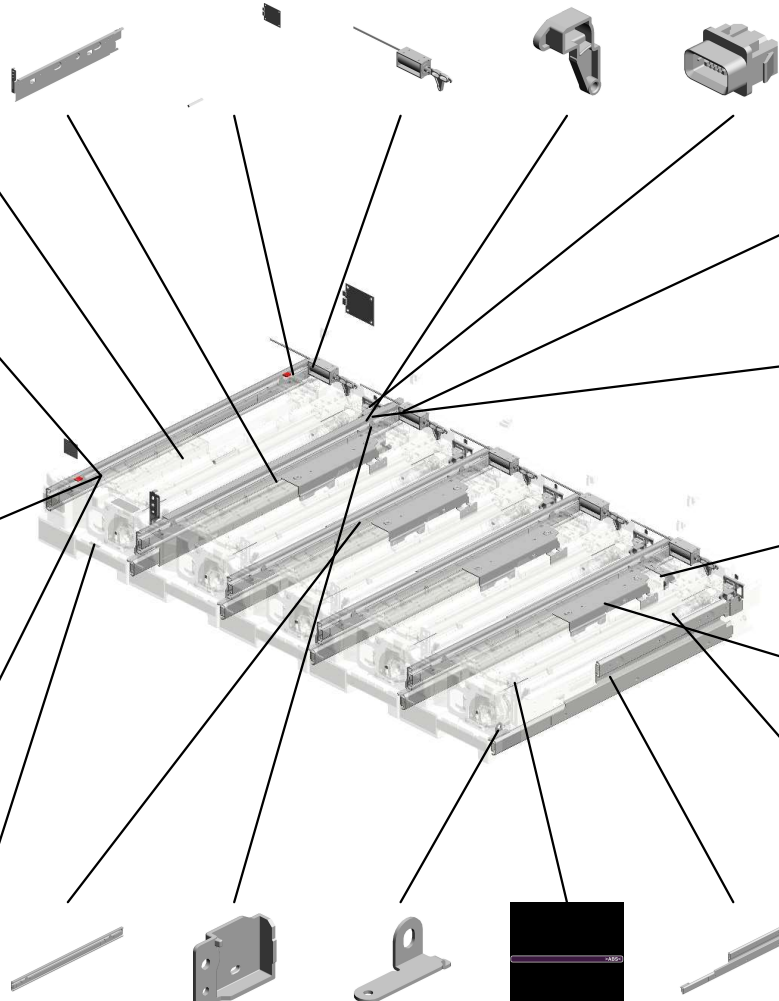
121.D1948520
(Pro C7200SX/C7210SX/C7200X/C7210X):SERVICE PARTS:DECAL:NEON_Y:ASSY



126.D1948524
(Pro C7200SX/C7210SX/C7200X/C7210X):SERVICE PARTS:DECAL:IV-R:ASSY



94.D1942165 (x2) DECAL:GRIP



- 78.D0A52569 (x10) SLIDE RAIL:PCU:LEFT
- 63.D0742576 (x10) HOLDER:SET SENSOR:PCU
- 60.D0742561 (x10) LOCK:SLIDE RAIL:PCU:RIGHT
- 58.D0742542 (x18) DECAL:GRIP
- 109.D1942553 (x10) SLIDE RAIL:PCU:RIGHT

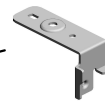
95.D1942175 (x8) DC SOLENOID:ON-OFF:ASSY



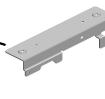
61.D0742572 (x10) STAY:SET SENSOR:PCU



31.D0742272 (x2) BRACKET:TEMPERATURE & HUMIDITY SENSOR



32.D0742274 (x8) BRACKET:ELECTRIC POTENTIAL SENSOR



57.D0742541 (x18) DECAL:ARROW LABEL

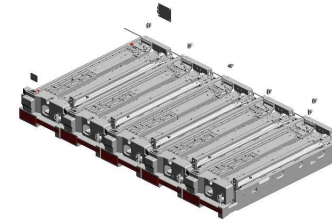


- 141.D0A59735 (x2) DEVELOPER CLEAR 202011-05 O/O
- 142.D0A59695 (x2) DEVELOPER WHITE 202012-03 O/O

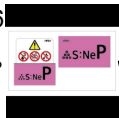
- 143.D0A59755 (x2) DEVELOPER-S 202012-05
- 144.D0A59765 (x2) DEVELOPER-G 202012-06

U006
PCDU

- 130.D0A52591 (x2)
DECAL:PCDU_HOP
PER:K
202002-07
- 131.D0A52592 (x2)
DECAL:PCDU_HOP
PER:W
202002-08
- 132.D0A52593 (x2)
DECAL:PCDU_HOP
PER:CLR
202002-09
- 133.D0A52595 (x2)
DECAL:PCDU_HOP
PER:NEON-Y
202002-10



- 134.D0A52596 (x2)
DECAL:PCDU_HOP
PER:NEON-P
202002-11



- 135.D0A52597 (x2)
DECAL:PCDU_HOP
PER:IV-R
202002-12



- 150.D0A52589 (x2)
DECAL:PCDU_HOP
PER:SIL
202105-08



- 151.D0A52590 (x2)
DECAL:PCDU_HOP
PER:GLD
202105-09



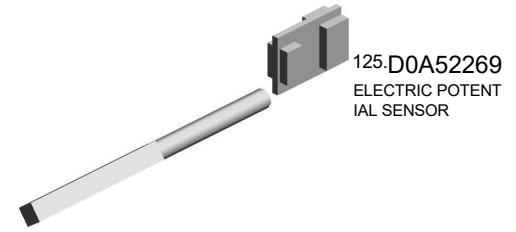
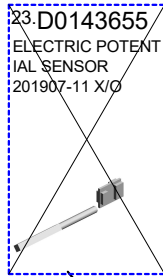
- 153.M0EB2524 (x8)
GUIDE PLATE:SLID
E RAIL:PCU
202303-02 O/O



- 154.M0BJ9510 (x9)
OPC DRUM DIA60
202308-02 O/O

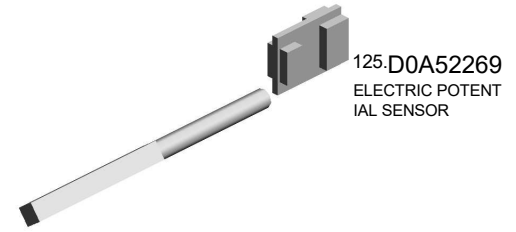
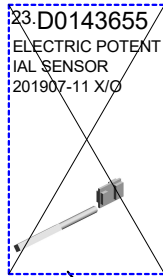
U001	U002	U003	U004	U005	U006	U007	U008	U009	U010	U011	U012	U013	U014	U015	U016	U017	U018	U019	U020
------	------	------	------	------	------	------	------	------	------	------	------	------	------	------	------	------	------	------	------

U006_S001
ELECTRIC POTENTIAL SENSOR



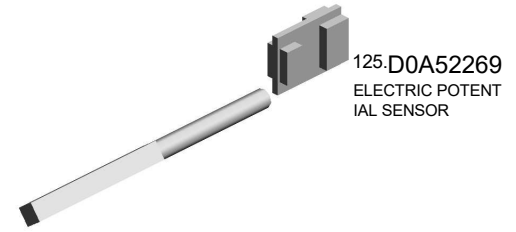
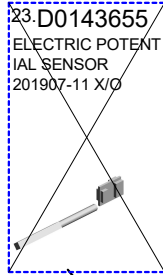
U001	U002	U003	U004	U005	U006	U007	U008	U009	U010	U011	U012	U013	U014	U015	U016	U017	U018	U019	U020
------	------	------	------	------	-------------	------	------	------	------	------	------	------	------	------	------	------	------	------	------

U006_S002
ELECTRIC POTENTIAL SENSOR



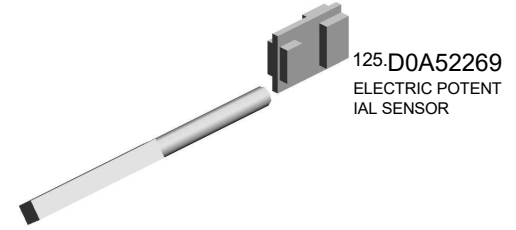
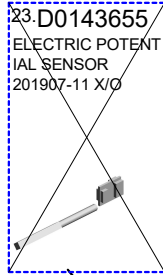
U001	U002	U003	U004	U005	U006	U007	U008	U009	U010	U011	U012	U013	U014	U015	U016	U017	U018	U019	U020
------	------	------	------	------	-------------	------	------	------	------	------	------	------	------	------	------	------	------	------	------

U006_S003
ELECTRIC POTENTIAL SENSOR



U001	U002	U003	U004	U005	U006	U007	U008	U009	U010	U011	U012	U013	U014	U015	U016	U017	U018	U019	U020
------	------	------	------	------	-------------	------	------	------	------	------	------	------	------	------	------	------	------	------	------

U006_S004
ELECTRIC POTENTIAL SENSOR



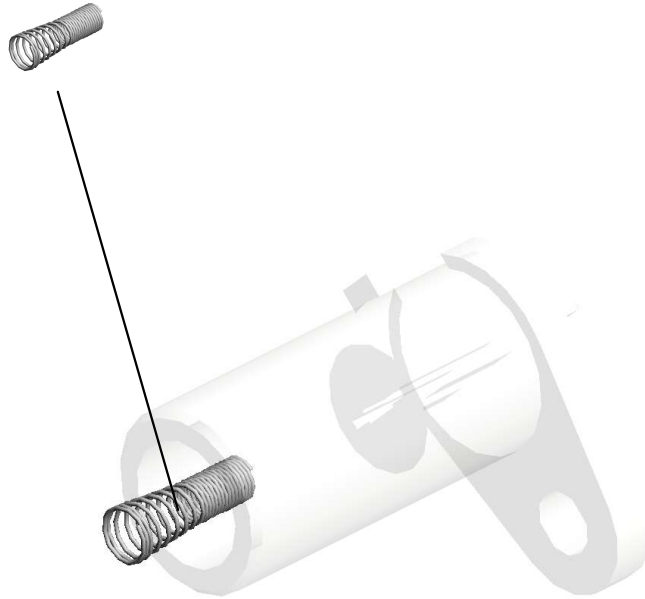
U001	U002	U003	U004	U005	U006	U007	U008	U009	U010	U011	U012	U013	U014	U015	U016	U017	U018	U019	U020
------	------	------	------	------	-------------	------	------	------	------	------	------	------	------	------	------	------	------	------	------

U006_S005
RECEPTACLE:DEVELOPMENT BIAS:ASS'Y

17-AA063371
SPRING



72-D0743446
RECEPTACLE:DEV
ELOPMENT BIAS:A
SS'Y



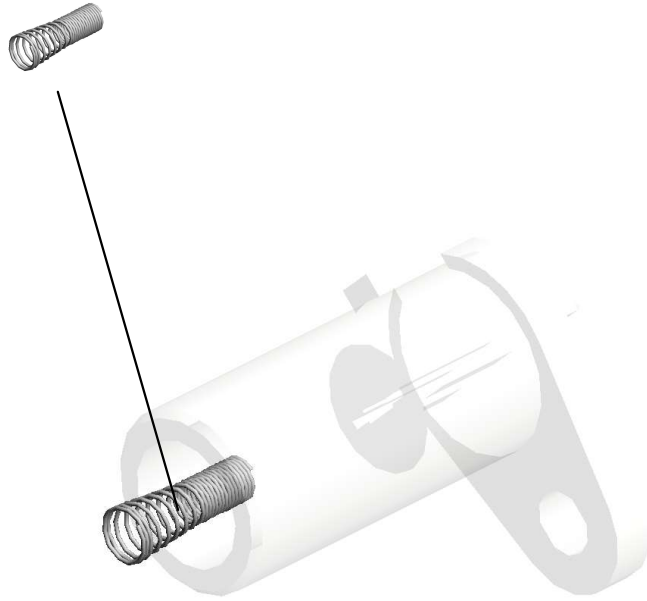
U001	U002	U003	U004	U005	U006	U007	U008	U009	U010	U011	U012	U013	U014	U015	U016	U017	U018	U019	U020
------	------	------	------	------	-------------	------	------	------	------	------	------	------	------	------	------	------	------	------	------

U006_S006
RECEPTACLE:DEVELOPMENT BIAS:ASS'Y

17-AA063371
SPRING



72-D0743446
RECEPTACLE:DEV
ELOPMENT BIAS:A
SS'Y



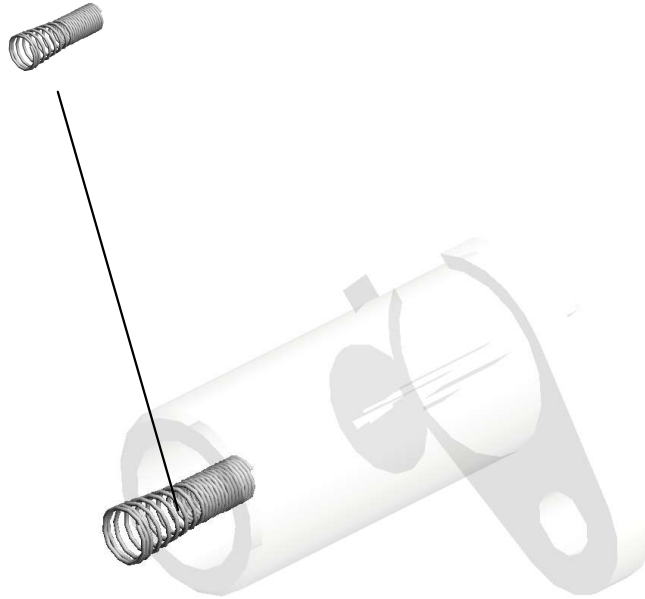
U001	U002	U003	U004	U005	U006	U007	U008	U009	U010	U011	U012	U013	U014	U015	U016	U017	U018	U019	U020
------	------	------	------	------	-------------	------	------	------	------	------	------	------	------	------	------	------	------	------	------

U006_S007
RECEPTACLE:DEVELOPMENT BIAS:ASS'Y

17-AA063371
SPRING



72-D0743446
RECEPTACLE:DEV
ELOPMENT BIAS:A
SS'Y



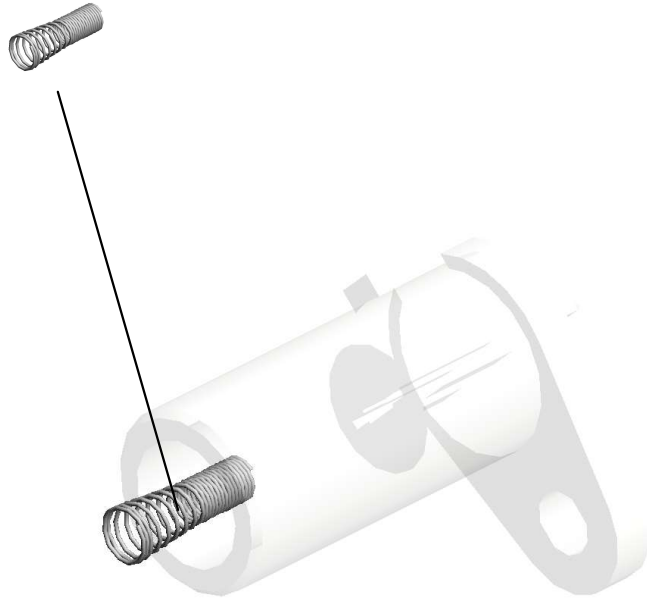
U001	U002	U003	U004	U005	U006	U007	U008	U009	U010	U011	U012	U013	U014	U015	U016	U017	U018	U019	U020
------	------	------	------	------	-------------	------	------	------	------	------	------	------	------	------	------	------	------	------	------

U006_S008
RECEPTACLE:DEVELOPMENT BIAS:ASS'Y

17-AA063371
SPRING



72-D0743446
RECEPTACLE:DEV
ELOPMENT BIAS:A
SS'Y



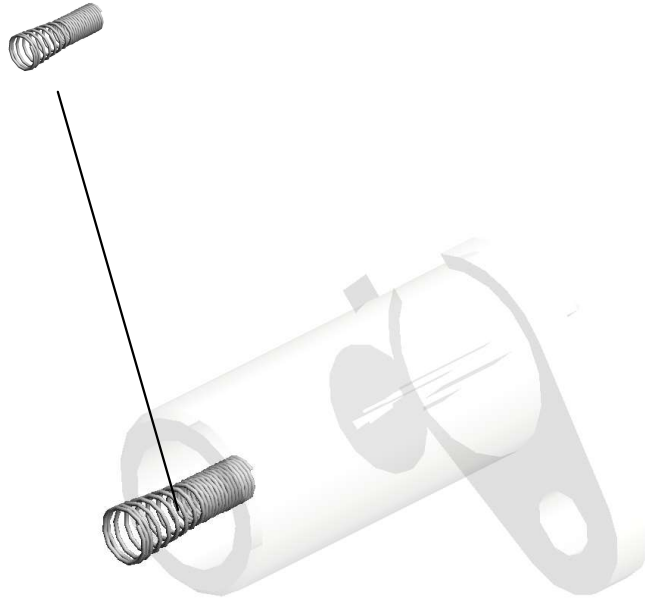
U001	U002	U003	U004	U005	U006	U007	U008	U009	U010	U011	U012	U013	U014	U015	U016	U017	U018	U019	U020
------	------	------	------	------	-------------	------	------	------	------	------	------	------	------	------	------	------	------	------	------

U006_S009
RECEPTACLE:DEVELOPMENT BIAS:ASS'Y

17-AA063371
SPRING



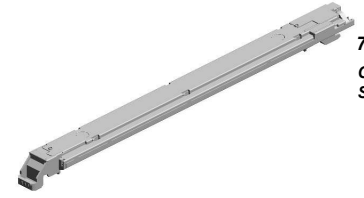
72-D0743446
RECEPTACLE:DEV
ELOPMENT BIAS:A
SS'Y



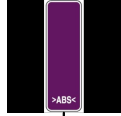
U001	U002	U003	U004	U005	U006	U007	U008	U009	U010	U011	U012	U013	U014	U015	U016	U017	U018	U019	U020
------	------	------	------	------	-------------	------	------	------	------	------	------	------	------	------	------	------	------	------	------

U006_S010
CHARGE UNIT:ASS'Y

94.D1942165
DECAL:GRIP



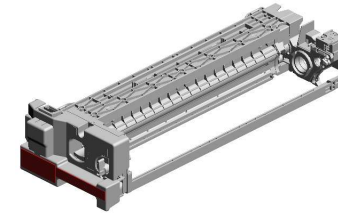
74.D0A52150
CHARGE UNIT:AS
S'Y



U001	U002	U003	U004	U005	U006	U007	U008	U009	U010	U011	U012	U013	U014	U015	U016	U017	U018	U019	U020
------	------	------	------	------	------	------	------	------	------	------	------	------	------	------	------	------	------	------	------

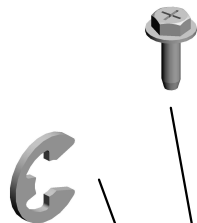
U006_S011
PCU:ASS'Y

- 6.04503010N (x4) TAPPING SCREW - M3X10
- 34.D0742367 HOLDER:LOCK:CHARGE UNIT
- 35.D0742368 COMPRESSION SPRING:LOCK:CHARGE UNIT
- 33.D0742366 LEVER:LOCK:CHARGE UNIT
- 37.D0742377 TENSION SPRING:LOCK:PCU



124.D0A52302
[A]
PCU:ASS'Y
201905-06 X/O

9.07200030E
RETAINING RING - M3



5.03603006N
(x18)
SCREW - M3X6



36.D0742376
LEVER:LOCK:PCU



42.D0742393
COVER:PCU:FRONT



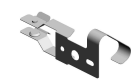
4.03530080N
(x4)
SCREW:M3X8



11.08025320
(x2)
HEXAGON HEAD TAPPING SCREW:ES:3X10



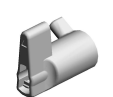
43.D0742395
GROUND PLATE:PCU:ASSY



12.08046128
(x7)
HEXAGONAL BOLT:DOUBLE SCREW:M3X10



40.D0742383
LEVER:LOCK:CLEANING UNIT:FRONT



39.D0742382
HOLDER:LOCK:CLEANING UNIT:FRONT



3.03530060N
(x2)
BIND SCREW - M3 X6



15.11050723
CLAMPS:WES-0507



41.D0742386
HOLDER:LOCK:CLEANING UNIT:REAR



10.07200040E (x 6)
RETAINING RING - M4

2.03530050N
(x2)
SCREW-M3X5



29.D0742192
SHEET:DISCHARGE LAMP



38.D0742381
(x2)
COMPRESSION SPRING:LOCK:CLEANING UNIT



U001	U002	U003	U004	U005	U006	U007	U008	U009	U010	U011	U012	U013	U014	U015	U016	U017	U018	U019	U020
------	------	------	------	------	------	------	------	------	------	------	------	------	------	------	------	------	------	------	------

U006_S011
PCU:ASS'Y

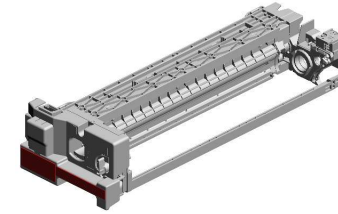
68.D0743362
ELECTRODE PLAT
E:DEVELOPMENT
BIAS:FRONT

139.D0A53456
SEAL:DEVELOPME
NT ROLLER:FRON
T:2
202011-03

140.D0A53457
SEAL:DEVELOPME
NT ROLLER:FRON
T:1
202011-04 O/O

65.D0743321
PLATE:FILTER

93.D1363431
FILTER:DEVELOP
MENT



124.D0A52302
[A]
PCU:ASS'Y
201905-06 X/O

73.D0743829
DECAL:POSITIONI
NG DISPLAY:TCRU



71.D0743440
COVER:INSERT:DE
VELOPER



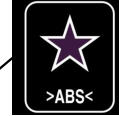
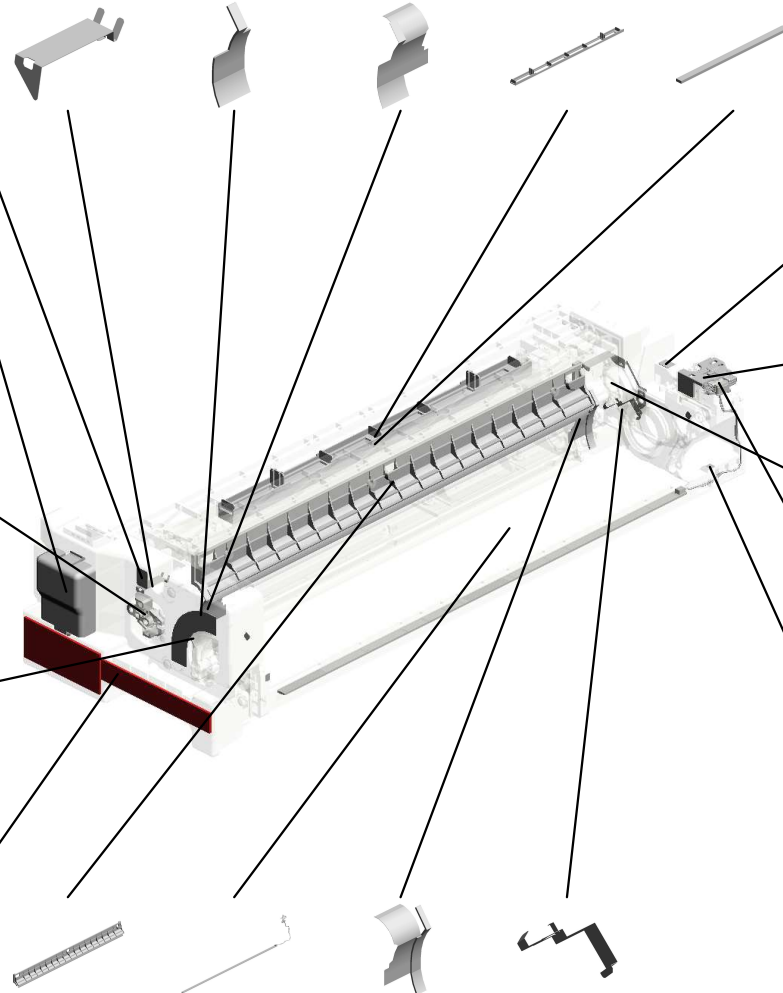
123.D1943356
POSITIONING PLA
TE:MAIN POLE:ASS
Y



56.D0742540
DECAL:LOCK:CLEA
NING UNIT

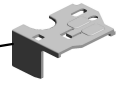


79.D0A52588
DECAL:LASER DIO
DE:MULT-LANGUA
GE



59.D0742544
DECAL:POSITIONI
NG DISPLAY

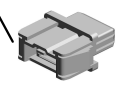
107.D1942537
COVER:PAPER VO
LUME SENSOR:CO
ATING BAR



69.D0743367
ELECTRODE PLAT
E:DEVELOPMENT
BIAS:REAR UPPER



118.J0155505
DRAWER:CONNEC
TOR:USED DEVEL
PER:PLUG



57.D0742541
(x4)
DECAL:ARROW LA
BEL

66.D0743330
ENTRANCE SEAL:
DEVELOPMENT:AS
S'Y

96.D1942191
DISCHARGE LAMP:
LED ARRAY

92.D1363407
SEAL:DEVELOPME
NT ROLLER:REAR

70.D0743368
ELECTRODE PLAT
E:DEVELOPMENT
BIAS:REAR LOWE
R



D0A52301
[A]
PCU:ASS'Y
201905-06 X/O

U001	U002	U003	U004	U005	U006	U007	U008	U009	U010	U011	U012	U013	U014	U015	U016	U017	U018	U019	U020
------	------	------	------	------	------	------	------	------	------	------	------	------	------	------	------	------	------	------	------

U006_S011_S001
GUIDE:TONER SUPPLY:ASS'Y

67.D0743352
SEAL:GUIDE:TONE
R SUPPLY:UPPER



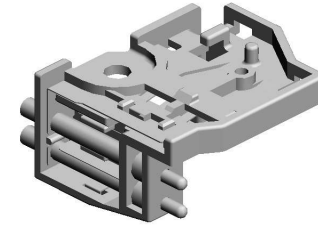
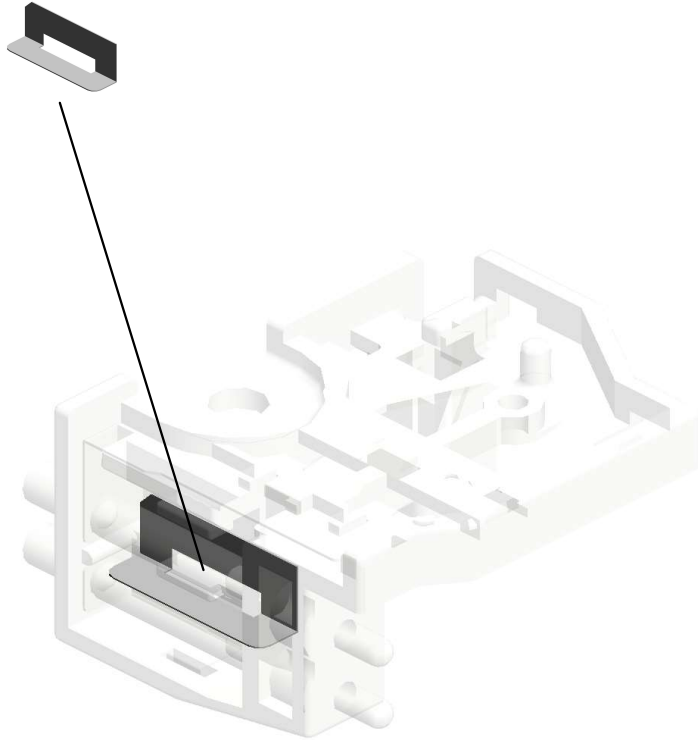
80.D0A53316
GUIDE:TONER SUP
PLY:ASS'Y



U001	U002	U003	U004	U005	U006	U007	U008	U009	U010	U011	U012	U013	U014	U015	U016	U017	U018	U019	U020
------	------	------	------	------	-------------	------	------	------	------	------	------	------	------	------	------	------	------	------	------

U006_S011_S002
TERMINAL:PAPER VOLUME SENSOR:COATING BAR:ASS'Y

108.D1942539
SHEET:TERMINAL
COVER



106.D1942531
TERMINAL:PAPER
VOLUME SENSOR:
COATING BAR:ASS
'Y

U001	U002	U003	U004	U005	U006	U007	U008	U009	U010	U011	U012	U013	U014	U015	U016	U017	U018	U019	U020
------	------	------	------	------	-------------	------	------	------	------	------	------	------	------	------	------	------	------	------	------

U006_S012
CLEANING UNIT:ASS'Y

5.03603006N
(x4)
SCREW - M3X6

90.D1362441
BLADE:APPLY:AS
S'Y

87.D1362411
COATING BAR:AS
S'Y

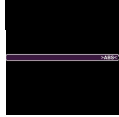
48.D0742448
TRANSPORT SCRE
W:APPLY:ASS'Y

89.D1362418
TENSION SPRING:
COATING BAR:18N



76.D0A52320
CLEANING UNIT:AS
S'Y

58.D0742542
(x2)
DECAL:GRIP



103.D1942485
(x2)
SEAL:BLADE:APP
LY



99.D1942457
COVER:BEARING:
OIL SUPPLY ROLL
ER:FRONT



46.D0742424
SEAL:BLADE:CLE
ANING:FRONT



45.D0742419
(x2)
PLAIN SHAFT BEA
RING:TRANSPORT
SCREW



86.D1362365
CLEANING BLADE:
ASS'Y

44.D0742414
TRANSPORT SCRE
W:BASE:ASS'Y

88.D1362417
(x2)
ARM:COATING BA
R

47.D0742425
SEAL:BLADE:CLE
ANING:REAR

3.03530060N
(x4)
BIND SCREW - M3
X6

49.D0742459
JOINT:CLEANING
UNIT



5.03603006N (x 1)
SCREW - M3X6
10.07200040E (x 2)
RETAINING RING - M4

100.D1942458
COVER:BEARING:
OIL SUPPLY ROLL
ER:REAR



51.D0742491
COVER:TONER OU
TLET SUB-UNIT:CL
EANING UNIT:ASS'
Y



52.D0742497
VIBRATING PLATE:
TONER OUTLET S
UB-UNIT



11.08025320
HEXAGON HEAD T
APPING SCREW:R
S:3X10



U001	U002	U003	U004	U005	U006	U007	U008	U009	U010	U011	U012	U013	U014	U015	U016	U017	U018	U019	U020
------	------	------	------	------	------	------	------	------	------	------	------	------	------	------	------	------	------	------	------

U006_S012
CLEANING UNIT:ASS'Y

145.D1942439 SEAL:FRAME:APPL
Y:FRONT SIDE
147.D1942441 SEAL:FRAME:COA
TING BAR:FRONT
SIDE
149.D1942443 SEAL:FRAME:COA
TING BAR:UPPER

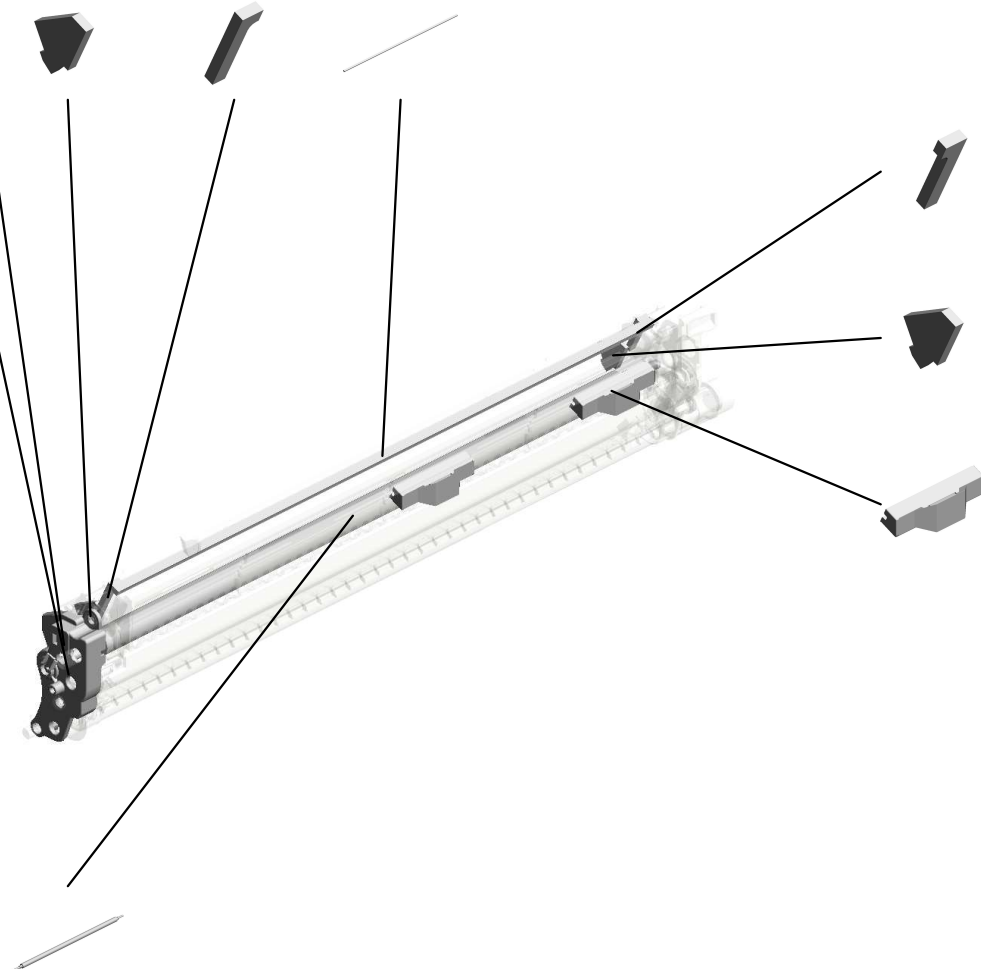


76.D0A52320
CLEANING UNIT:A
SS'Y

105.D1942507
GROUND PLATE:OI
L SUPPLY ROLLER
:ASS'Y



104.D1942506
DRUM STAY:CLEA
NING UNIT



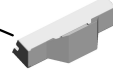
148.D1942442
SEAL:FRAME:COA
TING BAR:REAR SI
DE



146.D1942440
SEAL:FRAME:APPL
Y:REAR SIDE



127.D0A52510
(x2)
CUSHION:CLEANIN
G UNIT:ASS'Y



117.D2582402
OIL SUPPLY ROLL
ER:ASS'Y



U001	U002	U003	U004	U005	U006	U007	U008	U009	U010	U011	U012	U013	U014	U015	U016	U017	U018	U019	U020
------	------	------	------	------	------	------	------	------	------	------	------	------	------	------	------	------	------	------	------

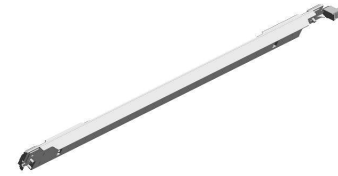
U006_S012_S001
STAY:APPLY:ASS'Y

50.D0742477
(x2)
SHEET:STAY:APPL
Y

102.D1942475
STAY:APPLY:ASS'Y



5.03603006N
(x2)
SCREW - M3X6



U001	U002	U003	U004	U005	U006	U007	U008	U009	U010	U011	U012	U013	U014	U015	U016	U017	U018	U019	U020
------	------	------	------	------	-------------	------	------	------	------	------	------	------	------	------	------	------	------	------	------

U006_S012_S002
GEAR:CLEANING:DRUM:SERVICE

54.D0742502
GEAR:IDLER:20Z:L
EFT



101.D1942460
GEAR:19Z:RIGHT



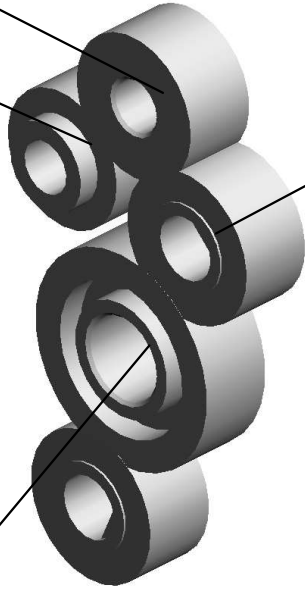
53.D0742501
(x2)
GEAR:21Z:RIGHT



55.D0742503
GEAR:IDLER:31Z:L
EFT



119.D1942550
GEAR:CLEANING:
DRUM:SERVICE



U001	U002	U003	U004	U005	U006	U007	U008	U009	U010	U011	U012	U013	U014	U015	U016	U017	U018	U019	U020
------	------	------	------	------	-------------	------	------	------	------	------	------	------	------	------	------	------	------	------	------

U006_S013
CHARGE UNIT:ASS'Y

94.D1942165
DECAL:GRIP



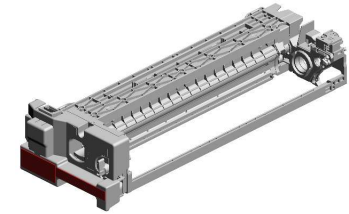
74.D0A52150
CHARGE UNIT:AS
S'Y



U001	U002	U003	U004	U005	U006	U007	U008	U009	U010	U011	U012	U013	U014	U015	U016	U017	U018	U019	U020
------	------	------	------	------	------	------	------	------	------	------	------	------	------	------	------	------	------	------	------

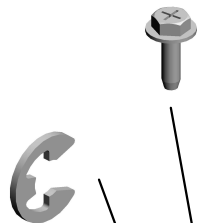
U006_S014
PCU:ASS'Y

- 6.04503010N (x4) TAPPING SCREW - M3X10
- 34.D0742367 HOLDER:LOCK:CHARGE UNIT
- 35.D0742368 COMPRESSION SPRING:LOCK:CHARGE UNIT
- 33.D0742366 LEVER:LOCK:CHARGE UNIT
- 37.D0742377 TENSION SPRING:LOCK:PCU



124.D0A52302
[A]
PCU:ASS'Y
201905-06 X/O

9.07200030E
RETAINING RING - M3



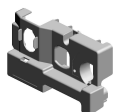
5.03603006N (x18) SCREW - M3X6



36.D0742376
LEVER:LOCK:PCU



42.D0742393
COVER:PCU:FRONT



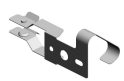
4.03530080N (x4) SCREW:M3X8



11.08025320 (x2) HEXAGON HEAD TAPPING SCREW:ES:3X10



43.D0742395
GROUND PLATE:PCU:ASS'Y



12.08046128 (x7) HEXAGONAL BOLT:DOUBLE SCREW:M3X10



40.D0742383
LEVER:LOCK:CLEANING UNIT:FRONT



39.D0742382
HOLDER:LOCK:CLEANING UNIT:FRONT



3.03530060N (x2) BIND SCREW - M3X6



41.D0742386
HOLDER:LOCK:CLEANING UNIT:REAR



2.03530050N (x2) SCREW-M3X5



29.D0742192
SHEET:DISCHARGE LAMP



38.D0742381 (x2) COMPRESSION SPRING:LOCK:CLEANING UNIT



15.11050723
CLAMPS:WES-0507



10.07200040E (x6)
RETAINING RING - M4



U001	U002	U003	U004	U005	U006	U007	U008	U009	U010	U011	U012	U013	U014	U015	U016	U017	U018	U019	U020
------	------	------	------	------	------	------	------	------	------	------	------	------	------	------	------	------	------	------	------

U006_S014
PCU:ASS'Y

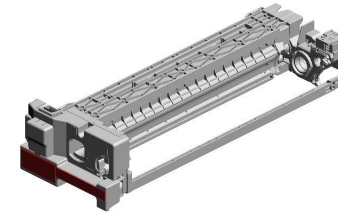
68.D0743362
ELECTRODE PLAT
E:DEVELOPMENT
BIAS:FRONT

139.D0A53456
SEAL:DEVELOPME
NT ROLLER:FRON
T:2
202011-03

140.D0A53457
SEAL:DEVELOPME
NT ROLLER:FRON
T:1
202011-04 O/O

65.D0743321
PLATE:FILTER

93.D1363431
FILTER:DEVELOP
MENT



124.D0A52302
[A]
PCU:ASS'Y
201905-06 X/O

73.D0743829
DECAL:POSITIONI
NG DISPLAY:TCRU



71.D0743440
COVER:INSERT:DE
VELOPER



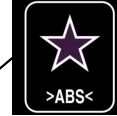
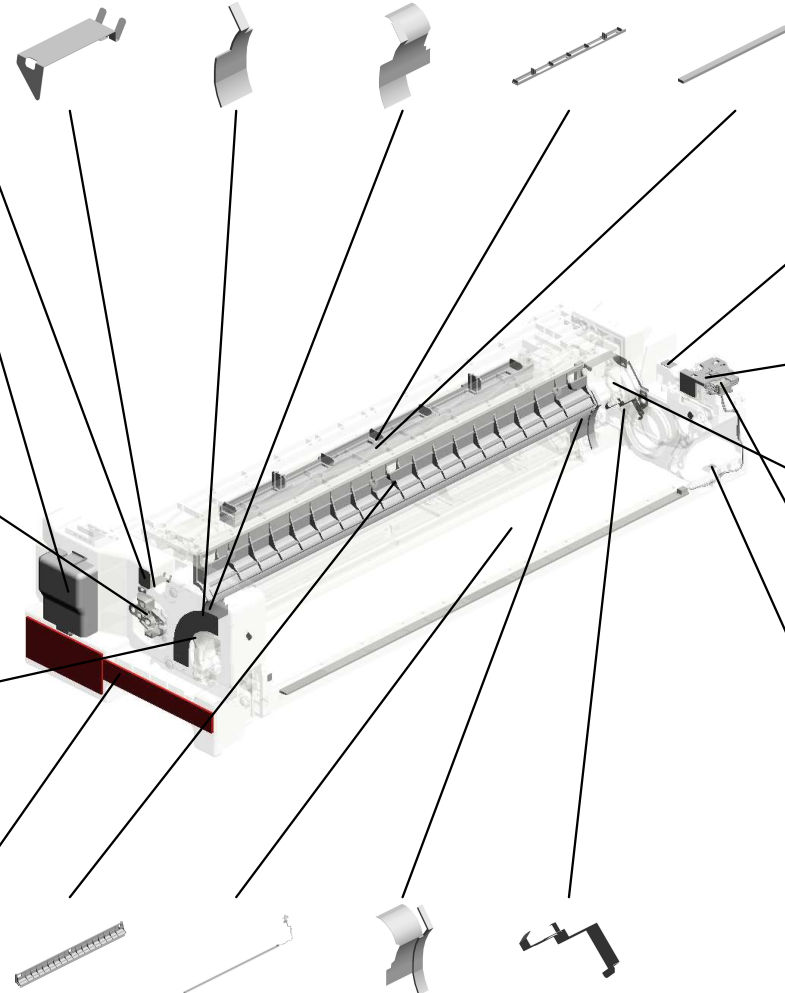
123.D1943356
POSITIONING PLA
TE:MAIN POLE:ASS
Y



56.D0742540
DECAL:LOCK:CLEA
NING UNIT



79.D0A52588
DECAL:LASER DIO
DE:MULT-LANGUA
GE



59.D0742544
DECAL:POSITIONI
NG DISPLAY

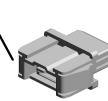
107.D1942537
COVER:PAPER VO
LUME SENSOR:CO
ATING BAR



69.D0743367
ELECTRODE PLAT
E:DEVELOPMENT
BIAS:REAR UPPER



118.J0155505
DRAWER:CONNEC
TOR:USED DEVEL
PER:PLUG



57.D0742541
(x4)
DECAL:ARROW LA
BEL

66.D0743330
ENTRANCE SEAL:
DEVELOPMENT:AS
S'Y

96.D1942191
DISCHARGE LAMP:
LED ARRAY

92.D1363407
SEAL:DEVELOPME
NT ROLLER:REAR

70.D0743368
ELECTRODE PLAT
E:DEVELOPMENT
BIAS:REAR LOWE
R



D0A52301
[A]
PCU:ASS'Y
201905-06 X/O

U001	U002	U003	U004	U005	U006	U007	U008	U009	U010	U011	U012	U013	U014	U015	U016	U017	U018	U019	U020
------	------	------	------	------	------	------	------	------	------	------	------	------	------	------	------	------	------	------	------

U006_S014_S001
GUIDE:TONER SUPPLY:ASS'Y

67.D0743352
SEAL:GUIDE:TONE
R SUPPLY:UPPER



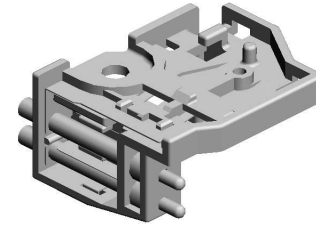
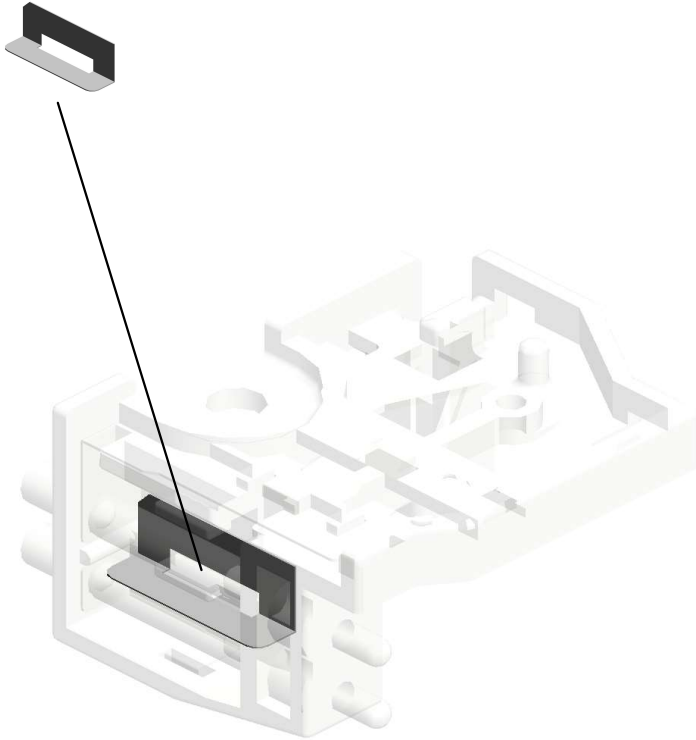
80.D0A53316
GUIDE:TONER SUP
PLY:ASS'Y



U001	U002	U003	U004	U005	U006	U007	U008	U009	U010	U011	U012	U013	U014	U015	U016	U017	U018	U019	U020
------	------	------	------	------	-------------	------	------	------	------	------	------	------	------	------	------	------	------	------	------

U006_S014_S002
TERMINAL:PAPER VOLUME SENSOR:COATING BAR:ASS'Y

108.D1942539
SHEET:TERMINAL
COVER



106.D1942531
TERMINAL:PAPER
VOLUME SENSOR:
COATING BAR:ASS
'Y

U001	U002	U003	U004	U005	U006	U007	U008	U009	U010	U011	U012	U013	U014	U015	U016	U017	U018	U019	U020
------	------	------	------	------	-------------	------	------	------	------	------	------	------	------	------	------	------	------	------	------

U006_S015
CLEANING UNIT:ASS'Y

5.03603006N
(x4)
SCREW - M3X6

90.D1362441
BLADE:APPLY:AS
S'Y

87.D1362411
COATING BAR:AS
S'Y

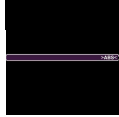
48.D0742448
TRANSPORT SCRE
W:APPLY:ASS'Y

89.D1362418
TENSION SPRING:
COATING BAR:18N



76.D0A52320
CLEANING UNIT:AS
S'Y

58.D0742542
(x2)
DECAL:GRIP



103.D1942485
(x2)
SEAL:BLADE:APP
LY



99.D1942457
COVER:BEARING:
OIL SUPPLY ROLL
ER:FRONT



46.D0742424
SEAL:BLADE:CLE
ANING:FRONT



45.D0742419
(x2)
PLAIN SHAFT BEA
RING:TRANSPORT
SCREW



86.D1362365
CLEANING BLADE:
ASS'Y

44.D0742414
TRANSPORT SCRE
W:BASE:ASS'Y

88.D1362417
(x2)
ARM:COATING BA
R

47.D0742425
SEAL:BLADE:CLE
ANING:REAR

3.03530060N
(x4)
BIND SCREW - M3
X6

49.D0742459
JOINT:CLEANING
UNIT



5.03603006N (x 1)
SCREW - M3X6
10.07200040E (x 2)
RETAINING RING - M4

100.D1942458
COVER:BEARING:
OIL SUPPLY ROLL
ER:REAR



51.D0742491
COVER:TONER OU
TLET SUB-UNIT:CL
EANING UNIT:ASS'
Y



52.D0742497
VIBRATING PLATE:
TONER OUTLET S
UB-UNIT



11.08025320
HEXAGON HEAD T
APPING SCREW:R
S:3X10



U001	U002	U003	U004	U005	U006	U007	U008	U009	U010	U011	U012	U013	U014	U015	U016	U017	U018	U019	U020
------	------	------	------	------	------	------	------	------	------	------	------	------	------	------	------	------	------	------	------

U006_S015
CLEANING UNIT:ASS'Y

145.D1942439 SEAL:FRAME:APPL
Y:FRONT SIDE
147.D1942441 SEAL:FRAME:COA
TING BAR:FRONT
SIDE
149.D1942443 SEAL:FRAME:COA
TING BAR:UPPER



105.D1942507
GROUND PLATE:OI
L SUPPLY ROLLER
:ASS'Y

104.D1942506
DRUM STAY:CLEA
NING UNIT



148.D1942442
SEAL:FRAME:COA
TING BAR:REAR SI
DE

146.D1942440
SEAL:FRAME:APPL
Y:REAR SIDE

127.D0A52510
(x2)
CUSHION:CLEANIN
G UNIT:ASS'Y

117.D2582402
OIL SUPPLY ROLL
ER:ASS'Y

U001	U002	U003	U004	U005	U006	U007	U008	U009	U010	U011	U012	U013	U014	U015	U016	U017	U018	U019	U020
------	------	------	------	------	------	------	------	------	------	------	------	------	------	------	------	------	------	------	------

U006_S015_S001
STAY:APPLY:ASS'Y

50.D0742477
(x2)
SHEET:STAY:APPL
Y

102.D1942475
STAY:APPLY:ASS'Y



5.03603006N
(x2)
SCREW - M3X6



U001	U002	U003	U004	U005	U006	U007	U008	U009	U010	U011	U012	U013	U014	U015	U016	U017	U018	U019	U020
------	------	------	------	------	-------------	------	------	------	------	------	------	------	------	------	------	------	------	------	------

U006_S015_S002
GEAR:CLEANING:DRUM:SERVICE

54.D0742502
GEAR:IDLER:20Z:L
EFT

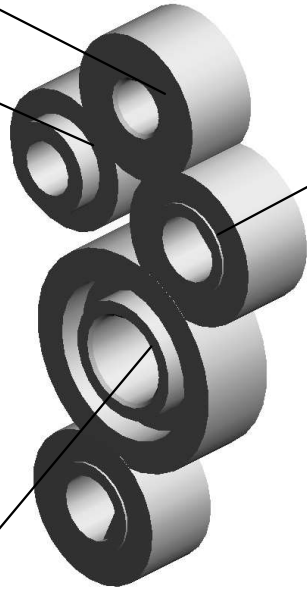
119.D1942550
GEAR:CLEANING:
DRUM:SERVICE



101.D1942460
GEAR:19Z:RIGHT



53.D0742501
(x2)
GEAR:21Z:RIGHT



55.D0742503
GEAR:IDLER:31Z:L
EFT



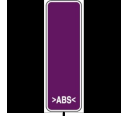
U001	U002	U003	U004	U005	U006	U007	U008	U009	U010	U011	U012	U013	U014	U015	U016	U017	U018	U019	U020
------	------	------	------	------	-------------	------	------	------	------	------	------	------	------	------	------	------	------	------	------

U006_S016
CHARGE UNIT:ASS'Y

94.D1942165
DECAL:GRIP



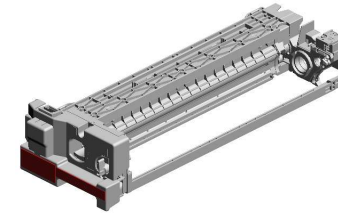
74.D0A52150
CHARGE UNIT:AS
S'Y



U001	U002	U003	U004	U005	U006	U007	U008	U009	U010	U011	U012	U013	U014	U015	U016	U017	U018	U019	U020
------	------	------	------	------	------	------	------	------	------	------	------	------	------	------	------	------	------	------	------

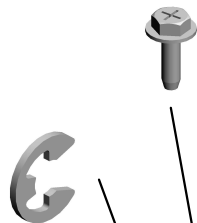
U006_S017
PCU:ASS'Y

- 6.04503010N (x4) TAPPING SCREW - M3X10
- 34.D0742367 HOLDER:LOCK:CHARGE UNIT
- 35.D0742368 COMPRESSION SPRING:LOCK:CHARGE UNIT
- 33.D0742366 LEVER:LOCK:CHARGE UNIT
- 37.D0742377 TENSION SPRING:LOCK:PCU



124.D0A52302
[A]
PCU:ASS'Y
201905-06 X/O

9.07200030E
RETAINING RING - M3



5.03603006N (x18) SCREW - M3X6



36.D0742376
LEVER:LOCK:PCU



42.D0742393
COVER:PCU:FRONT



4.03530080N (x4) SCREW:M3X8



11.08025320 (x2) HEXAGON HEAD TAPPING SCREW:ES:3X10



43.D0742395
GROUND PLATE:PCU:ASSY



12.08046128 (x7) HEXAGONAL BOLT:DOUBLE SCREW:M3X10



40.D0742383
LEVER:LOCK:CLEANING UNIT:FRONT



39.D0742382
HOLDER:LOCK:CLEANING UNIT:FRONT



3.03530060N (x2) BIND SCREW - M3X6



15.11050723
CLAMPS:WES-0507



41.D0742386
HOLDER:LOCK:CLEANING UNIT:REAR



10.07200040E (x6)
RETAINING RING - M4

2.03530050N (x2) SCREW-M3X5



29.D0742192
SHEET:DISCHARGE LAMP



38.D0742381 (x2) COMPRESSION SPRING:LOCK:CLEANING UNIT



U001	U002	U003	U004	U005	U006	U007	U008	U009	U010	U011	U012	U013	U014	U015	U016	U017	U018	U019	U020
------	------	------	------	------	------	------	------	------	------	------	------	------	------	------	------	------	------	------	------

U006_S017
PCU:ASS'Y

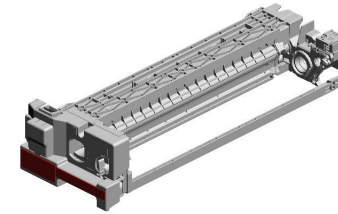
68.D0743362
ELECTRODE PLAT
E:DEVELOPMENT
BIAS:FRONT

139.D0A53456
SEAL:DEVELOPME
NT ROLLER:FRON
T:2
202011-03

140.D0A53457
SEAL:DEVELOPME
NT ROLLER:FRON
T:1
202011-04 O/O

65.D0743321
PLATE:FILTER

93.D1363431
FILTER:DEVELOP
MENT



124.D0A52302
[A]
PCU:ASS'Y
201905-06 X/O

73.D0743829
DECAL:POSITIONI
NG DISPLAY:TCRU



71.D0743440
COVER:INSERT:DE
VELOPER



123.D1943356
POSITIONING PLA
TE:MAIN POLE:ASS
Y



56.D0742540
DECAL:LOCK:CLEA
NING UNIT



79.D0A52588
DECAL:LASER DIO
DE:MULT-LANGUA
GE



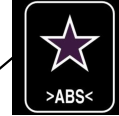
66.D0743330
ENTRANCE SEAL:
DEVELOPMENT:AS
S'Y

96.D1942191
DISCHARGE LAMP:
LED ARRAY

92.D1363407
SEAL:DEVELOPME
NT ROLLER:REAR

70.D0743368
ELECTRODE PLAT
E:DEVELOPMENT
BIAS:REAR LOWE
R

59.D0742544
DECAL:POSITIONI
NG DISPLAY



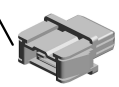
107.D1942537
COVER:PAPER VO
LUME SENSOR:CO
ATING BAR



69.D0743367
ELECTRODE PLAT
E:DEVELOPMENT
BIAS:REAR UPPER



118.J0155505
DRAWER:CONNEC
TOR:USED DEVEL
PER:PLUG



57.D0742541
(x4)
DECAL:ARROW LA
BEL



D0A52301
[A]
PCU:ASS'Y
201905-06 X/O

U006_S017_S001
GUIDE:TONER SUPPLY:ASS'Y

67.D0743352
SEAL:GUIDE:TONE
R SUPPLY:UPPER

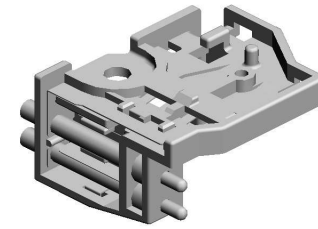
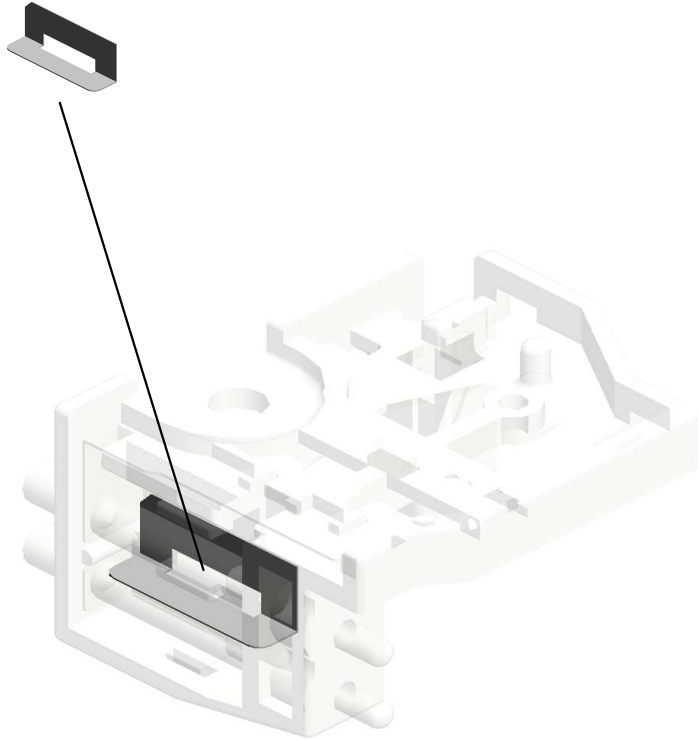


80.D0A53316
GUIDE:TONER SUP
PLY:ASS'Y

U001	U002	U003	U004	U005	U006	U007	U008	U009	U010	U011	U012	U013	U014	U015	U016	U017	U018	U019	U020
------	------	------	------	------	-------------	------	------	------	------	------	------	------	------	------	------	------	------	------	------

U006_S017_S002
TERMINAL:PAPER VOLUME SENSOR:COATING BAR:ASS'Y

108.D1942539
SHEET:TERMINAL
COVER



106.D1942531
TERMINAL:PAPER
VOLUME SENSOR:
COATING BAR:ASS
'Y

U001	U002	U003	U004	U005	U006	U007	U008	U009	U010	U011	U012	U013	U014	U015	U016	U017	U018	U019	U020
------	------	------	------	------	-------------	------	------	------	------	------	------	------	------	------	------	------	------	------	------

U006_S018
CLEANING UNIT:ASS'Y

5.03603006N
(x4)
SCREW - M3X6

90.D1362441
BLADE:APPLY:AS
S'Y

87.D1362411
COATING BAR:AS
S'Y

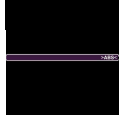
48.D0742448
TRANSPORT SCRE
W:APPLY:ASS'Y

89.D1362418
TENSION SPRING:
COATING BAR:18N



76.D0A52320
CLEANING UNIT:AS
S'Y

58.D0742542
(x2)
DECAL:GRIP



103.D1942485
(x2)
SEAL:BLADE:APP
LY



99.D1942457
COVER:BEARING:
OIL SUPPLY ROLL
ER:FRONT



46.D0742424
SEAL:BLADE:CLE
ANING:FRONT



45.D0742419
(x2)
PLAIN SHAFT BEA
RING:TRANSPORT
SCREW



86.D1362365
CLEANING BLADE:
ASS'Y

44.D0742414
TRANSPORT SCRE
W:BASE:ASS'Y

88.D1362417
(x2)
ARM:COATING BA
R

47.D0742425
SEAL:BLADE:CLE
ANING:REAR

3.03530060N
(x4)
BIND SCREW - M3
X6

49.D0742459
JOINT:CLEANING
UNIT



5.03603006N (x 1)
SCREW - M3X6
10.07200040E (x 2)
RETAINING RING - M4

100.D1942458
COVER:BEARING:
OIL SUPPLY ROLL
ER:REAR



51.D0742491
COVER:TONER OU
TLET SUB-UNIT:CL
EANING UNIT:ASS'
Y



52.D0742497
VIBRATING PLATE:
TONER OUTLET S
UB-UNIT



11.08025320
HEXAGON HEAD T
APPING SCREW:E
S:3X10



U006_S018
CLEANING UNIT:ASS'Y

145.D1942439 SEAL:FRAME:APPL
Y:FRONT SIDE
147.D1942441 SEAL:FRAME:COA
TING BAR:FRONT
SIDE
149.D1942443 SEAL:FRAME:COA
TING BAR:UPPER

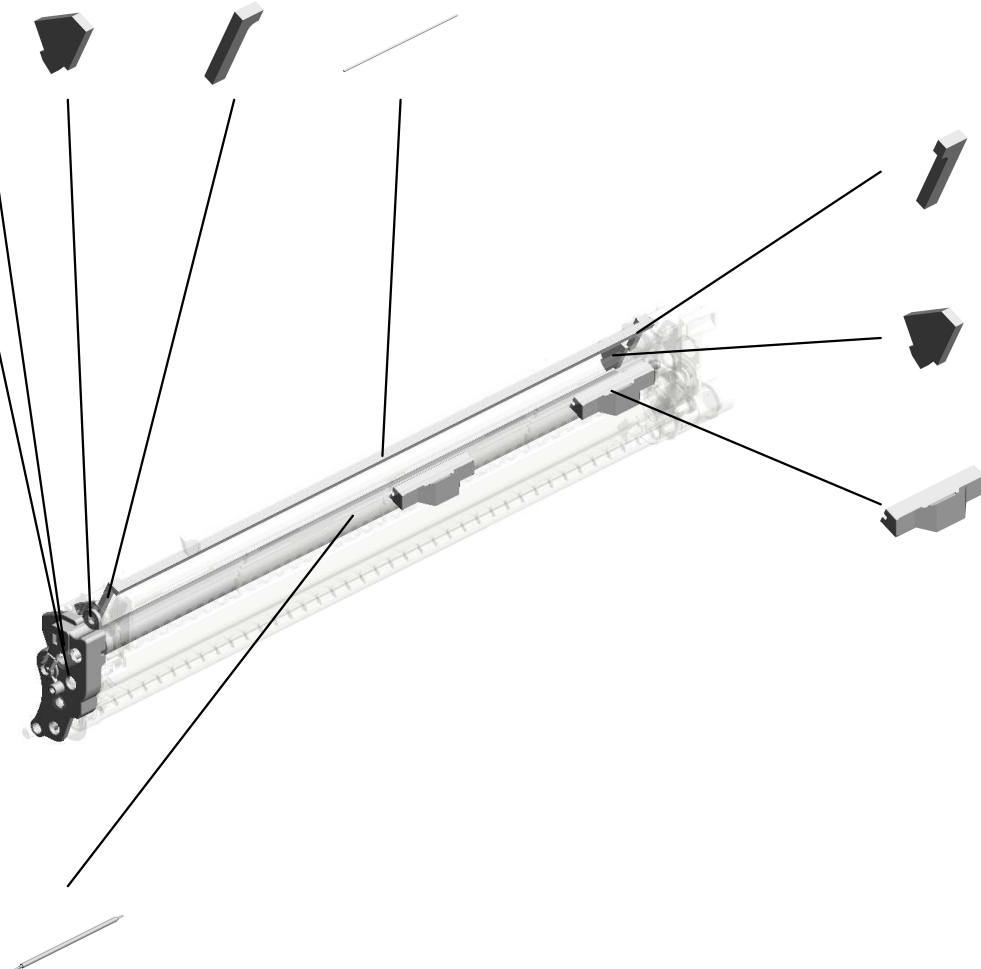


76.D0A52320
CLEANING UNIT:A
SS'Y

105.D1942507
GROUND PLATE:OI
L SUPPLY ROLLER
:ASS'Y



104.D1942506
DRUM STAY:CLEA
NING UNIT



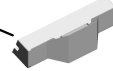
148.D1942442
SEAL:FRAME:COA
TING BAR:REAR SI
DE



146.D1942440
SEAL:FRAME:APPL
Y:REAR SIDE



127.D0A52510
(x2)
CUSHION:CLEANIN
G UNIT:ASS'Y



117.D2582402
OIL SUPPLY ROLL
ER:ASS'Y



U001	U002	U003	U004	U005	U006	U007	U008	U009	U010	U011	U012	U013	U014	U015	U016	U017	U018	U019	U020
------	------	------	------	------	------	------	------	------	------	------	------	------	------	------	------	------	------	------	------

U006_S018_S001
STAY:APPLY:ASS'Y

50.D0742477
(x2)
SHEET:STAY:APPL
Y

102.D1942475
STAY:APPLY:ASS'Y



5.03603006N
(x2)
SCREW - M3X6



U001	U002	U003	U004	U005	U006	U007	U008	U009	U010	U011	U012	U013	U014	U015	U016	U017	U018	U019	U020
------	------	------	------	------	-------------	------	------	------	------	------	------	------	------	------	------	------	------	------	------

U006_S018_S002
GEAR:CLEANING:DRUM:SERVICE

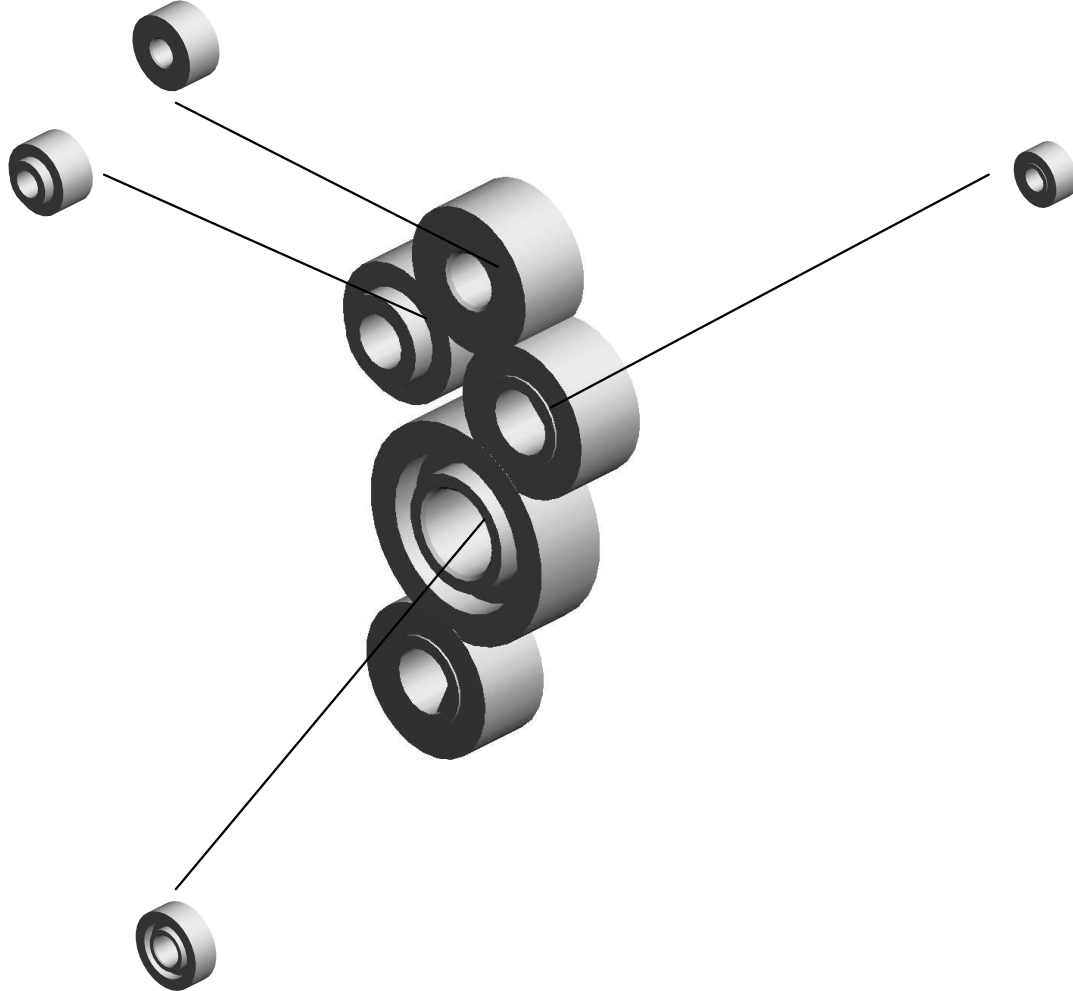
54.D0742502
GEAR:IDLER:20Z:L
EFT

101.D1942460
GEAR:19Z:RIGHT

53.D0742501
(x2)
GEAR:21Z:RIGHT

55.D0742503
GEAR:IDLER:31Z:L
EFT

119.D1942550
GEAR:CLEANING:
DRUM:SERVICE



U001	U002	U003	U004	U005	U006	U007	U008	U009	U010	U011	U012	U013	U014	U015	U016	U017	U018	U019	U020
------	------	------	------	------	-------------	------	------	------	------	------	------	------	------	------	------	------	------	------	------

U006_S019
CHARGE UNIT:ASS'Y

94.D1942165
DECAL:GRIP



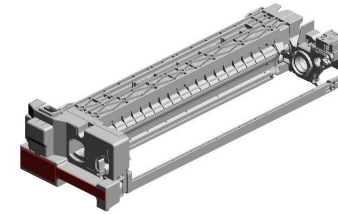
74.D0A52150
CHARGE UNIT:AS
S'Y



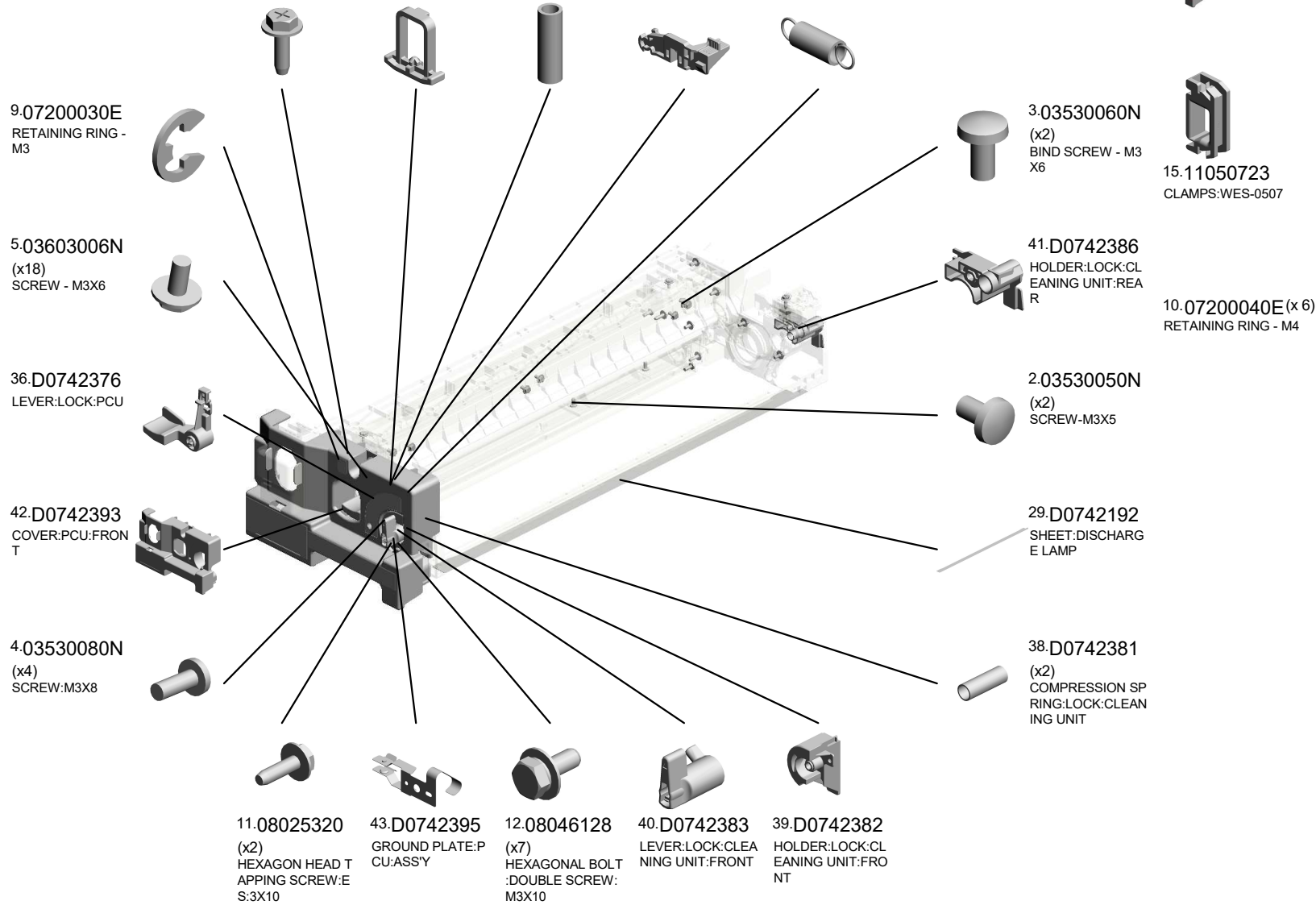
U001	U002	U003	U004	U005	U006	U007	U008	U009	U010	U011	U012	U013	U014	U015	U016	U017	U018	U019	U020
------	------	------	------	------	------	------	------	------	------	------	------	------	------	------	------	------	------	------	------

U006_S020
PCU:ASS'Y

- 6.04503010N (x4) TAPPING SCREW - M3X10
- 34.D0742367 HOLDER:LOCK:CHARGE UNIT
- 35.D0742368 COMPRESSION SPRING:LOCK:CHARGE UNIT
- 33.D0742366 LEVER:LOCK:CHARGE UNIT
- 37.D0742377 TENSION SPRING:LOCK:PCU



124.D0A52302
[A]
PCU:ASS'Y
201905-06 X/O



U001	U002	U003	U004	U005	U006	U007	U008	U009	U010	U011	U012	U013	U014	U015	U016	U017	U018	U019	U020
------	------	------	------	------	------	------	------	------	------	------	------	------	------	------	------	------	------	------	------

U006_S020
PCU:ASS'Y

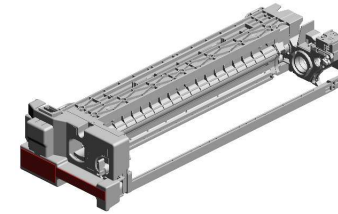
68.D0743362
ELECTRODE PLAT
E:DEVELOPMENT
BIAS:FRONT

139.D0A53456
SEAL:DEVELOPME
NT ROLLER:FRON
T:2
202011-03

140.D0A53457
SEAL:DEVELOPME
NT ROLLER:FRON
T:1
202011-04 O/O

65.D0743321
PLATE:FILTER

93.D1363431
FILTER:DEVELOP
MENT

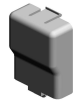


124.D0A52302
[A]
PCU:ASS'Y
201905-06 X/O

73.D0743829
DECAL:POSITIONI
NG DISPLAY:TCRU



71.D0743440
COVER:INSERT:DE
VELOPER



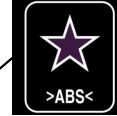
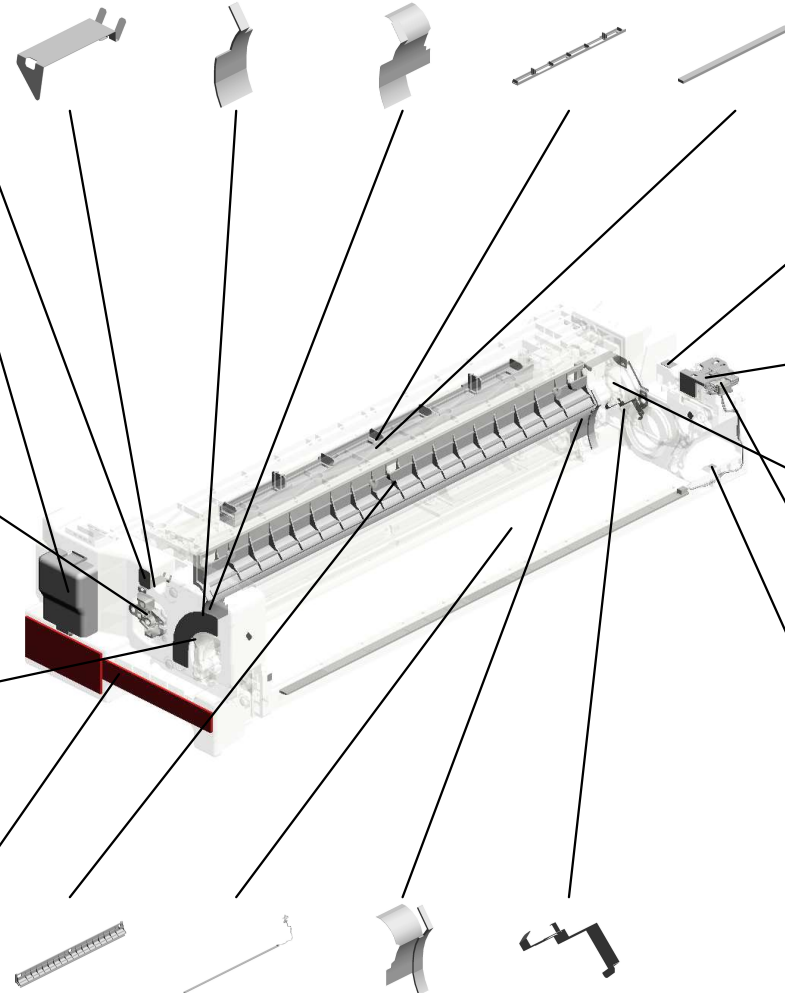
123.D1943356
POSITIONING PLA
TE:MAIN POLE:ASS
Y



56.D0742540
DECAL:LOCK:CLEA
NING UNIT



79.D0A52588
DECAL:LASER DIO
DE:MULT-LANGUA
GE



59.D0742544
DECAL:POSITIONI
NG DISPLAY

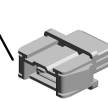
107.D1942537
COVER:PAPER VO
LUME SENSOR:CO
ATING BAR



69.D0743367
ELECTRODE PLAT
E:DEVELOPMENT
BIAS:REAR UPPER



118.J0155505
DRAWER:CONNEC
TOR:USED DEVEL
PER:PLUG



57.D0742541
(x4)
DECAL:ARROW LA
BEL

66.D0743330
ENTRANCE SEAL:
DEVELOPMENT:AS
S'Y

96.D1942191
DISCHARGE LAMP:
LED ARRAY

92.D1363407
SEAL:DEVELOPME
NT ROLLER:REAR

70.D0743368
ELECTRODE PLAT
E:DEVELOPMENT
BIAS:REAR LOWE
R

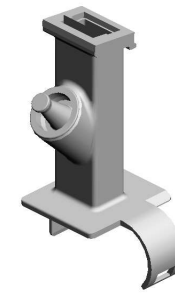


D0A52301
[A]
PCU:ASS'Y
201905-06 X/O

U001	U002	U003	U004	U005	U006	U007	U008	U009	U010	U011	U012	U013	U014	U015	U016	U017	U018	U019	U020
------	------	------	------	------	------	------	------	------	------	------	------	------	------	------	------	------	------	------	------

U006_S020_S001
GUIDE:TONER SUPPLY:ASS'Y

67.D0743352
SEAL:GUIDE:TONE
R SUPPLY:UPPER



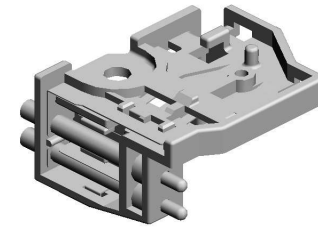
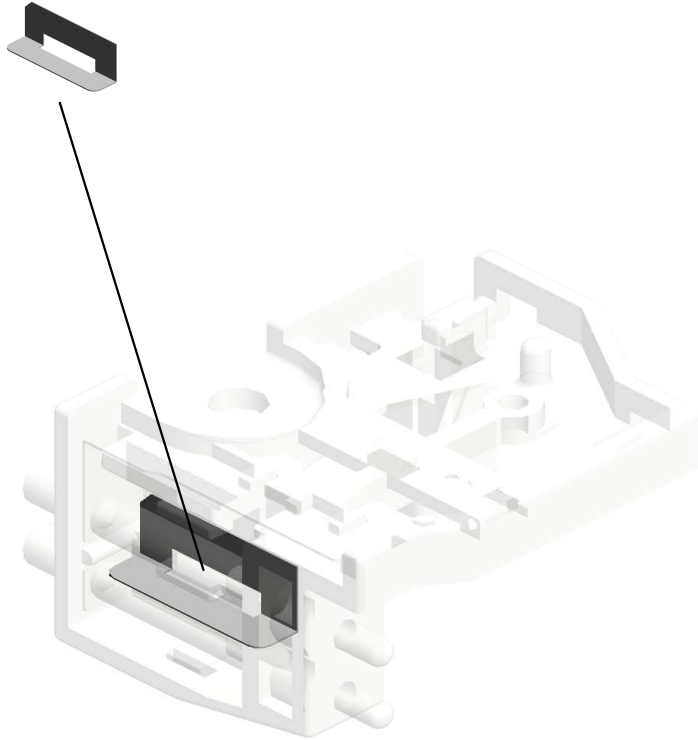
80.D0A53316
GUIDE:TONER SUP
PLY:ASS'Y



U001	U002	U003	U004	U005	U006	U007	U008	U009	U010	U011	U012	U013	U014	U015	U016	U017	U018	U019	U020
------	------	------	------	------	-------------	------	------	------	------	------	------	------	------	------	------	------	------	------	------

U006_S020_S002
TERMINAL:PAPER VOLUME SENSOR:COATING BAR:ASS'Y

108.D1942539
SHEET:TERMINAL
COVER



106.D1942531
TERMINAL:PAPER
VOLUME SENSOR:
COATING BAR:ASS
'Y

U001	U002	U003	U004	U005	U006	U007	U008	U009	U010	U011	U012	U013	U014	U015	U016	U017	U018	U019	U020
------	------	------	------	------	-------------	------	------	------	------	------	------	------	------	------	------	------	------	------	------

U006_S021
CLEANING UNIT:ASS'Y

90.D1362441
BLADE:APPLY:AS
S'Y

86.D1362365
CLEANING BLADE:
ASS'Y

87.D1362411
COATING BAR:AS
S'Y

48.D0742448
TRANSPORT SCRE
W:APPLY:ASS'Y

89.D1362418
TENSION SPRING:
COATING BAR:18N



76.D0A52320
CLEANING UNIT:AS
SS'Y

5.03603006N
(x4)
SCREW - M3X6



58.D0742542
(x2)
DECAL:GRIP



99.D1942457
COVER:BEARING:
OIL SUPPLY ROLL
ER:FRONT



46.D0742424
SEAL:BLADE:CLE
ANING:FRONT



45.D0742419
(x2)
PLAIN SHAFT BEA
RING:TRANSPORT
SCREW



44.D0742414
TRANSPORT SCRE
W:BASE:ASS'Y

88.D1362417
(x2)
ARM:COATING BA
R

47.D0742425
SEAL:BLADE:CLE
ANING:REAR

103.D1942485
(x2)
SEAL:BLADE:APP
LY

3.03530060N
(x4)
BIND SCREW - M3
X6

49.D0742459
JOINT:CLEANING
UNIT



5.03603006N (x 1)
SCREW - M3X6
10.07200040E (x 2)
RETAINING RING - M4

100.D1942458
COVER:BEARING:
OIL SUPPLY ROLL
ER:REAR



51.D0742491
COVER:TONER OU
TLET SUB-UNIT:CL
EANING UNIT:ASS'
Y



52.D0742497
VIBRATING PLATE:
TONER OUTLET S
UB-UNIT



11.08025320
HEXAGON HEAD T
APPING SCREW:E
S:3X10



U001	U002	U003	U004	U005	U006	U007	U008	U009	U010	U011	U012	U013	U014	U015	U016	U017	U018	U019	U020
------	------	------	------	------	------	------	------	------	------	------	------	------	------	------	------	------	------	------	------

U006_S021
CLEANING UNIT:ASS'Y

145.D1942439 SEAL:FRAME:APPLY:FRONT SIDE
 147.D1942441 SEAL:FRAME:COATING BAR:FRONT SIDE
 149.D1942443 SEAL:FRAME:COATING BAR:UPPER SIDE

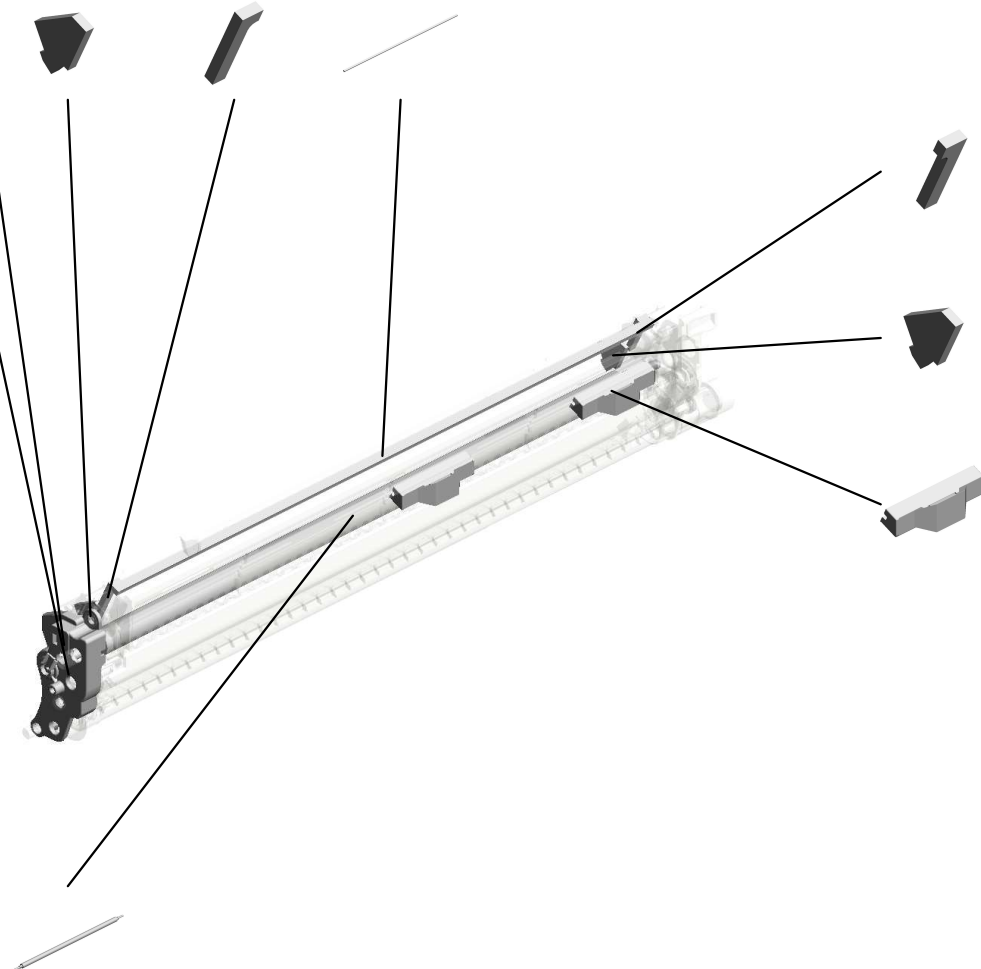


76.D0A52320
CLEANING UNIT:ASS'Y

105.D1942507
GROUND PLATE:OIL SUPPLY ROLLER:ASS'Y



104.D1942506
DRUM STAY:CLEANING UNIT



148.D1942442
SEAL:FRAME:COATING BAR:REAR SIDE



146.D1942440
SEAL:FRAME:APPLY:REAR SIDE



127.D0A52510
(x2)
CUSHION:CLEANING UNIT:ASS'Y



117.D2582402
OIL SUPPLY ROLLER:ASS'Y



U001	U002	U003	U004	U005	U006	U007	U008	U009	U010	U011	U012	U013	U014	U015	U016	U017	U018	U019	U020
------	------	------	------	------	------	------	------	------	------	------	------	------	------	------	------	------	------	------	------

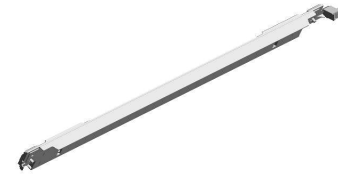
U006_S021_S001
STAY:APPLY:ASS'Y

50.D0742477
(x2)
SHEET:STAY:APPL
Y

102.D1942475
STAY:APPLY:ASS'Y



5.03603006N
(x2)
SCREW - M3X6



U001	U002	U003	U004	U005	U006	U007	U008	U009	U010	U011	U012	U013	U014	U015	U016	U017	U018	U019	U020
------	------	------	------	------	-------------	------	------	------	------	------	------	------	------	------	------	------	------	------	------

U006_S021_S002
GEAR:CLEANING:DRUM:SERVICE

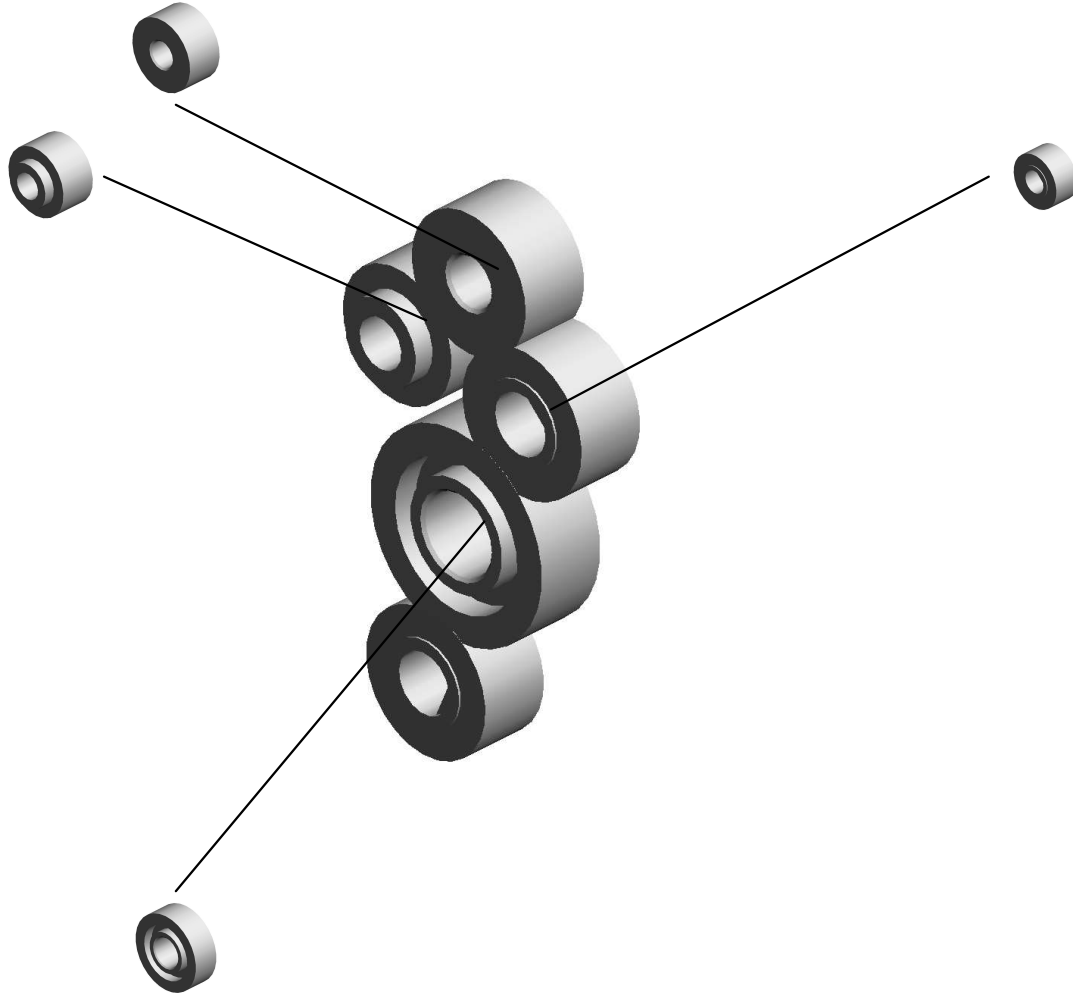
54.D0742502
GEAR:IDLER:20Z:L
EFT

101.D1942460
GEAR:19Z:RIGHT

53.D0742501
(x2)
GEAR:21Z:RIGHT

55.D0742503
GEAR:IDLER:31Z:L
EFT

119.D1942550
GEAR:CLEANING:
DRUM:SERVICE



U001	U002	U003	U004	U005	U006	U007	U008	U009	U010	U011	U012	U013	U014	U015	U016	U017	U018	U019	U020
------	------	------	------	------	-------------	------	------	------	------	------	------	------	------	------	------	------	------	------	------

U006_S022
CHARGE UNIT:ASS'Y

94.D1942165
DECAL:GRIP



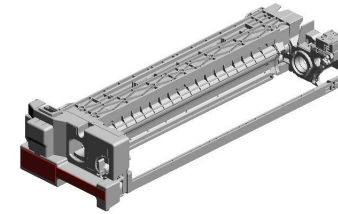
74.D0A52150
CHARGE UNIT:AS
S'Y



U001	U002	U003	U004	U005	U006	U007	U008	U009	U010	U011	U012	U013	U014	U015	U016	U017	U018	U019	U020
------	------	------	------	------	------	------	------	------	------	------	------	------	------	------	------	------	------	------	------

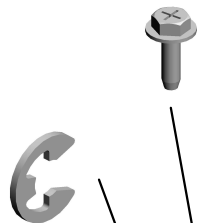
U006_S023
PCU:ASS'Y

- 6.04503010N (x4) TAPPING SCREW - M3X10
- 34.D0742367 HOLDER:LOCK:CHARGE UNIT
- 35.D0742368 COMPRESSION SPRING:LOCK:CHARGE UNIT
- 33.D0742366 LEVER:LOCK:CHARGE UNIT
- 37.D0742377 TENSION SPRING:LOCK:PCU



124.D0A52302
[A]
PCU:ASS'Y
201905-06 X/O

9.07200030E
RETAINING RING - M3



5.03603006N (x18) SCREW - M3X6



36.D0742376
LEVER:LOCK:PCU



42.D0742393
COVER:PCU:FRONT



4.03530080N (x4) SCREW:M3X8



11.08025320 (x2) HEXAGON HEAD TAPPING SCREW:ES:3X10



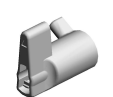
43.D0742395
GROUND PLATE:PCU:ASSY



12.08046128 (x7) HEXAGONAL BOLT:DOUBLE SCREW:M3X10



40.D0742383
LEVER:LOCK:CLEANING UNIT:FRONT



39.D0742382
HOLDER:LOCK:CLEANING UNIT:FRONT



3.03530060N (x2) BIND SCREW - M3X6



15.11050723
CLAMPS:WES-0507



41.D0742386
HOLDER:LOCK:CLEANING UNIT:REAR



10.07200040E (x6)
RETAINING RING - M4

2.03530050N (x2) SCREW-M3X5



29.D0742192
SHEET:DISCHARGE LAMP



38.D0742381 (x2) COMPRESSION SPRING:LOCK:CLEANING UNIT



U001	U002	U003	U004	U005	U006	U007	U008	U009	U010	U011	U012	U013	U014	U015	U016	U017	U018	U019	U020
------	------	------	------	------	------	------	------	------	------	------	------	------	------	------	------	------	------	------	------

U006_S023
PCU:ASS'Y

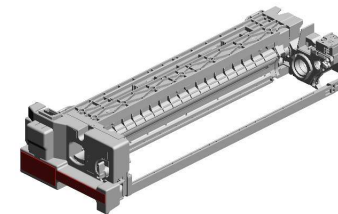
68.D0743362
ELECTRODE PLAT
E:DEVELOPMENT
BIAS:FRONT

139.D0A53456
SEAL:DEVELOPME
NT ROLLER:FRON
T:2
202011-03

140.D0A53457
SEAL:DEVELOPME
NT ROLLER:FRON
T:1
202011-04 O/O

65.D0743321
PLATE:FILTER

93.D1363431
FILTER:DEVELOP
MENT



124.D0A52302
[A]
PCU:ASS'Y
201905-06 X/O

73.D0743829
DECAL:POSITIONI
NG DISPLAY:TCRU



71.D0743440
COVER:INSERT:DE
VELOPER



123.D1943356
POSITIONING PLA
TE:MAIN POLE:ASS
Y



56.D0742540
DECAL:LOCK:CLEA
NING UNIT



79.D0A52588
DECAL:LASER DIO
DE:MULT-LANGUA
GE



66.D0743330
ENTRANCE SEAL:
DEVELOPMENT:AS
S'Y

96.D1942191
DISCHARGE LAMP:
LED ARRAY

92.D1363407
SEAL:DEVELOPME
NT ROLLER:REAR

69.D0743367
ELECTRODE PLAT
E:DEVELOPMENT
BIAS:REAR UPPER



59.D0742544
DECAL:POSITIONI
NG DISPLAY

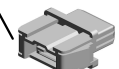
107.D1942537
COVER:PAPER VO
LUME SENSOR:CO
ATING BAR



70.D0743368
ELECTRODE PLAT
E:DEVELOPMENT
BIAS:REAR LOWE
R



118.J0155505
DRAWER:CONNEC
TOR:USED DEVEL
PER:PLUG



57.D0742541
(x4)
DECAL:ARROW LA
BEL



D0A52301
[A]
PCU:ASS'Y
201905-06 X/O

U006_S023_S001
GUIDE:TONER SUPPLY:ASS'Y

67.D0743352
SEAL:GUIDE:TONE
R SUPPLY:UPPER

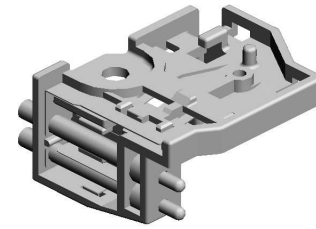
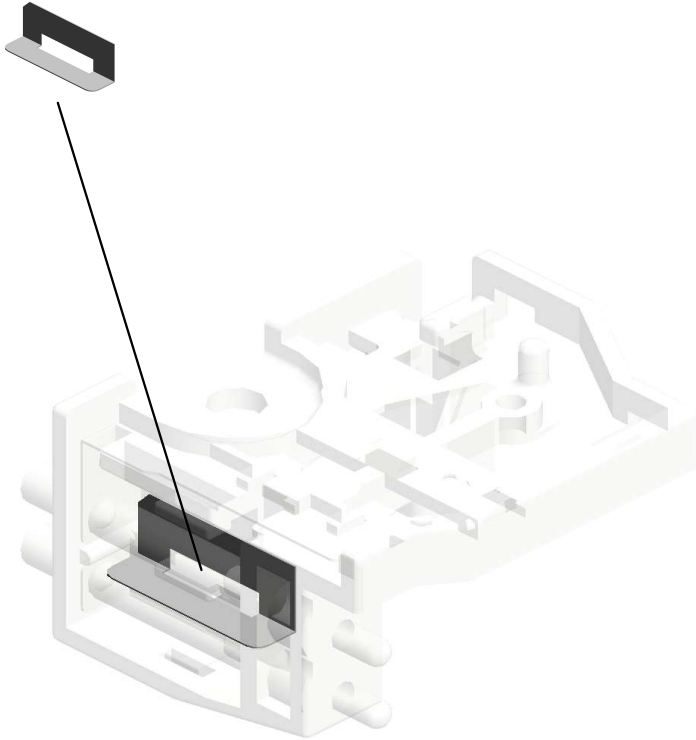


80.D0A53316
GUIDE:TONER SUP
PLY:ASS'Y

U001	U002	U003	U004	U005	U006	U007	U008	U009	U010	U011	U012	U013	U014	U015	U016	U017	U018	U019	U020
------	------	------	------	------	-------------	------	------	------	------	------	------	------	------	------	------	------	------	------	------

U006_S023_S002
TERMINAL:PAPER VOLUME SENSOR:COATING BAR:ASS'Y

108.D1942539
SHEET:TERMINAL
COVER



106.D1942531
TERMINAL:PAPER
VOLUME SENSOR:
COATING BAR:ASS
'Y

U001	U002	U003	U004	U005	U006	U007	U008	U009	U010	U011	U012	U013	U014	U015	U016	U017	U018	U019	U020
------	------	------	------	------	-------------	------	------	------	------	------	------	------	------	------	------	------	------	------	------

U006_S024
CLEANING UNIT:ASS'Y

90.D1362441
BLADE:APPLY:AS
S'Y

86.D1362365
CLEANING BLADE:
ASS'Y

87.D1362411
COATING BAR:AS
S'Y

48.D0742448
TRANSPORT SCRE
W:APPLY:ASS'Y

89.D1362418
TENSION SPRING:
COATING BAR:18N



76.D0A52320
CLEANING UNIT:AS
SS'Y

5.03603006N
(x4)
SCREW - M3X6



58.D0742542
(x2)
DECAL:GRIP



99.D1942457
COVER:BEARING:
OIL SUPPLY ROLL
ER:FRONT



46.D0742424
SEAL:BLADE:CLE
ANING:FRONT



45.D0742419
(x2)
PLAIN SHAFT BEA
RING:TRANSPORT
SCREW



44.D0742414
TRANSPORT SCRE
W:BASE:ASS'Y

88.D1362417
(x2)
ARM:COATING BA
R

47.D0742425
SEAL:BLADE:CLE
ANING:REAR

103.D1942485
(x2)
SEAL:BLADE:APP
LY

3.03530060N
(x4)
BIND SCREW - M3
X6

49.D0742459
JOINT:CLEANING
UNIT



5.03603006N (x 1)
SCREW - M3X6
10.07200040E (x 2)
RETAINING RING - M4

100.D1942458
COVER:BEARING:
OIL SUPPLY ROLL
ER:REAR



51.D0742491
COVER:TONER OU
TLET SUB-UNIT:CL
EANING UNIT:ASS'
Y



52.D0742497
VIBRATING PLATE:
TONER OUTLET S
UB-UNIT



11.08025320
HEXAGON HEAD T
APPING SCREW:E
S:3X10



U001	U002	U003	U004	U005	U006	U007	U008	U009	U010	U011	U012	U013	U014	U015	U016	U017	U018	U019	U020
------	------	------	------	------	------	------	------	------	------	------	------	------	------	------	------	------	------	------	------

U006_S024

CLEANING UNIT:ASS'Y

145.D1942439 SEAL:FRAME:APPL
Y:FRONT SIDE

147.D1942441 SEAL:FRAME:COA
TING BAR:FRONT
SIDE

149.D1942443 SEAL:FRAME:COA
TING BAR:UPPER



76.D0A52320
CLEANING UNIT:A
SS'Y

105.D1942507
GROUND PLATE:OI
L SUPPLY ROLLER
:ASS'Y



104.D1942506
DRUM STAY:CLEA
NING UNIT



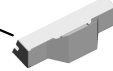
148.D1942442
SEAL:FRAME:COA
TING BAR:REAR SI
DE



146.D1942440
SEAL:FRAME:APPL
Y:REAR SIDE



127.D0A52510
(x2)
CUSHION:CLEANIN
G UNIT:ASS'Y



117.D2582402
OIL SUPPLY ROLL
ER:ASS'Y



U001	U002	U003	U004	U005	U006	U007	U008	U009	U010	U011	U012	U013	U014	U015	U016	U017	U018	U019	U020
------	------	------	------	------	------	------	------	------	------	------	------	------	------	------	------	------	------	------	------

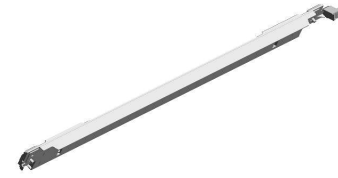
U006_S024_S001
STAY:APPLY:ASS'Y

50.D0742477
(x2)
SHEET:STAY:APPL
Y

102.D1942475
STAY:APPLY:ASS'Y



5.03603006N
(x2)
SCREW - M3X6



U001	U002	U003	U004	U005	U006	U007	U008	U009	U010	U011	U012	U013	U014	U015	U016	U017	U018	U019	U020
------	------	------	------	------	-------------	------	------	------	------	------	------	------	------	------	------	------	------	------	------

U006_S024_S002
GEAR:CLEANING:DRUM:SERVICE

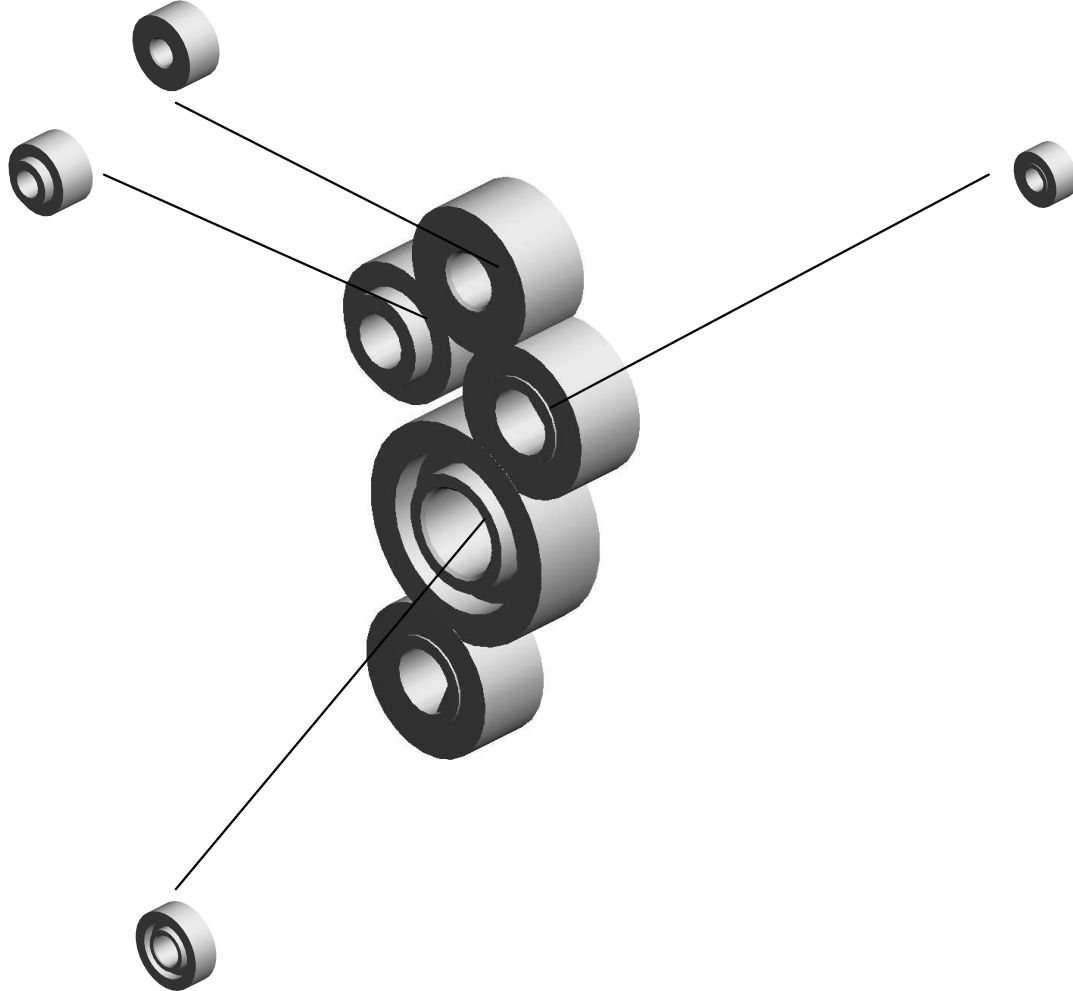
54.D0742502
GEAR:IDLER:20Z:L
EFT

101.D1942460
GEAR:19Z:RIGHT

53.D0742501
(x2)
GEAR:21Z:RIGHT

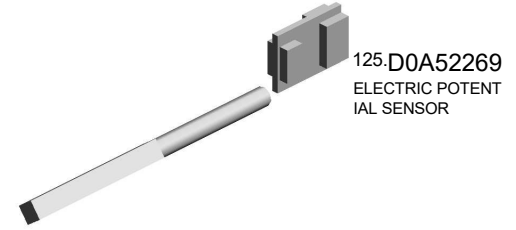
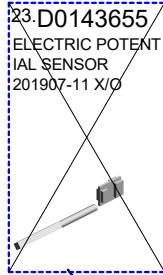
55.D0742503
GEAR:IDLER:31Z:L
EFT

119.D1942550
GEAR:CLEANING:
DRUM:SERVICE



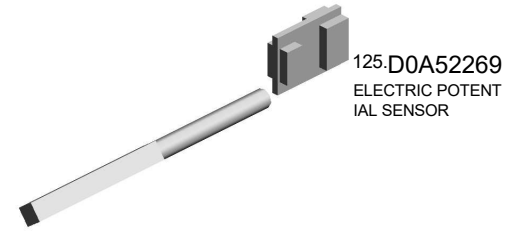
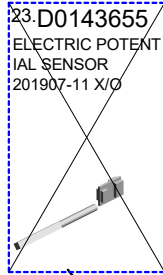
U001	U002	U003	U004	U005	U006	U007	U008	U009	U010	U011	U012	U013	U014	U015	U016	U017	U018	U019	U020
------	------	------	------	------	-------------	------	------	------	------	------	------	------	------	------	------	------	------	------	------

U006_S025
ELECTRIC POTENTIAL SENSOR



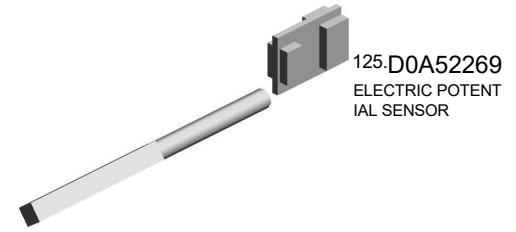
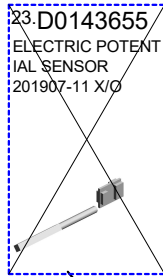
U001	U002	U003	U004	U005	U006	U007	U008	U009	U010	U011	U012	U013	U014	U015	U016	U017	U018	U019	U020
------	------	------	------	------	-------------	------	------	------	------	------	------	------	------	------	------	------	------	------	------

U006_S026
ELECTRIC POTENTIAL SENSOR



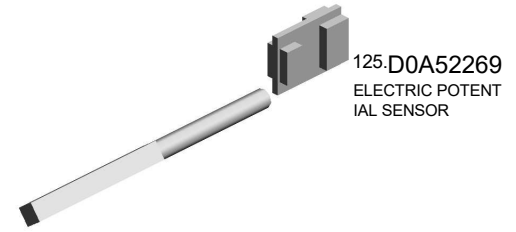
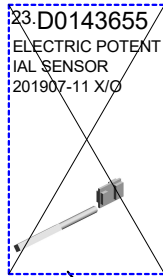
U001	U002	U003	U004	U005	U006	U007	U008	U009	U010	U011	U012	U013	U014	U015	U016	U017	U018	U019	U020
------	------	------	------	------	-------------	------	------	------	------	------	------	------	------	------	------	------	------	------	------

U006_S027
ELECTRIC POTENTIAL SENSOR



U001	U002	U003	U004	U005	U006	U007	U008	U009	U010	U011	U012	U013	U014	U015	U016	U017	U018	U019	U020
------	------	------	------	------	-------------	------	------	------	------	------	------	------	------	------	------	------	------	------	------

U006_S028
ELECTRIC POTENTIAL SENSOR



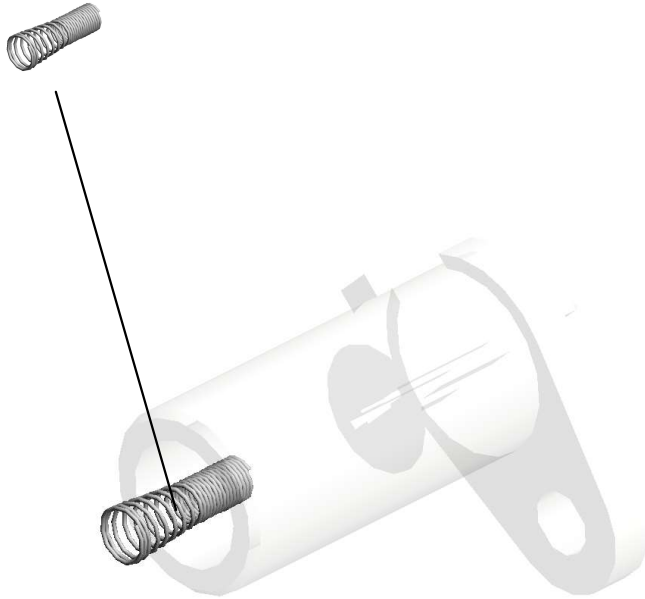
U001	U002	U003	U004	U005	U006	U007	U008	U009	U010	U011	U012	U013	U014	U015	U016	U017	U018	U019	U020
------	------	------	------	------	-------------	------	------	------	------	------	------	------	------	------	------	------	------	------	------

U006_S029
RECEPTACLE:DEVELOPMENT BIAS:ASS'Y

17-AA063371
SPRING



72-D0743446
RECEPTACLE:DEV
ELOPMENT BIAS:A
SS'Y



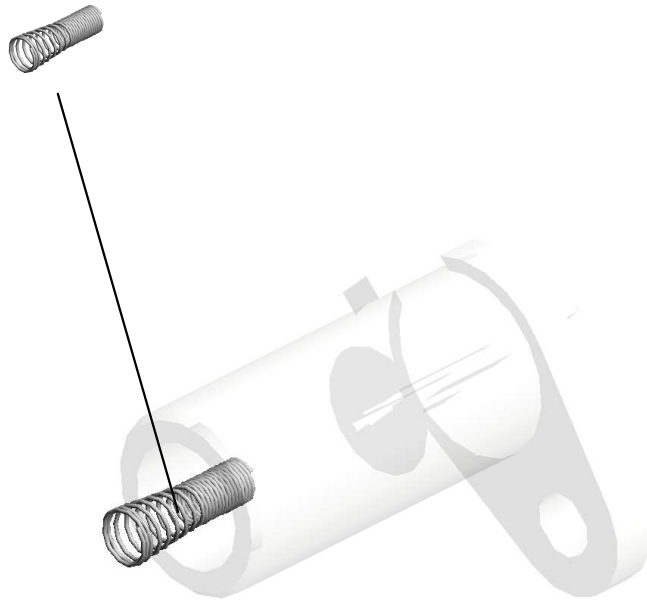
U001	U002	U003	U004	U005	U006	U007	U008	U009	U010	U011	U012	U013	U014	U015	U016	U017	U018	U019	U020
------	------	------	------	------	-------------	------	------	------	------	------	------	------	------	------	------	------	------	------	------

U006_S030
RECEPTACLE:DEVELOPMENT BIAS:ASS'Y

17-AA063371
SPRING



72-D0743446
RECEPTACLE:DEV
ELOPMENT BIAS:A
SS'Y



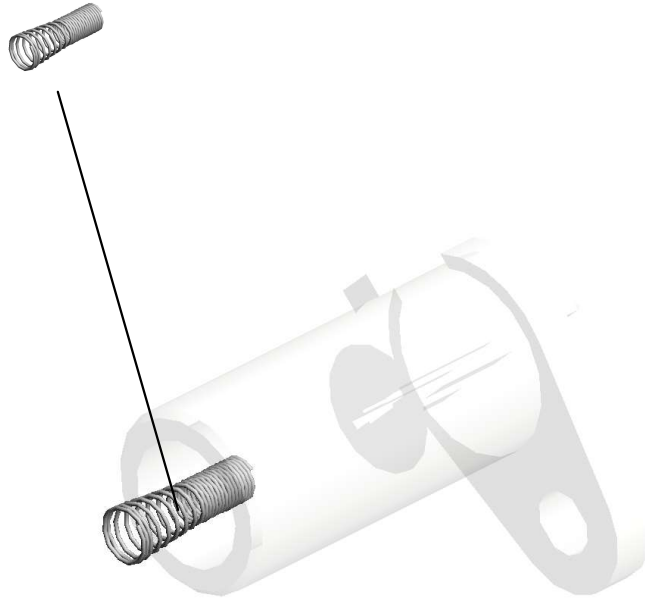
U001	U002	U003	U004	U005	U006	U007	U008	U009	U010	U011	U012	U013	U014	U015	U016	U017	U018	U019	U020
------	------	------	------	------	-------------	------	------	------	------	------	------	------	------	------	------	------	------	------	------

U006_S031
RECEPTACLE:DEVELOPMENT BIAS:ASS'Y

17-AA063371
SPRING



72-D0743446
RECEPTACLE:DEV
ELOPMENT BIAS:A
SS'Y



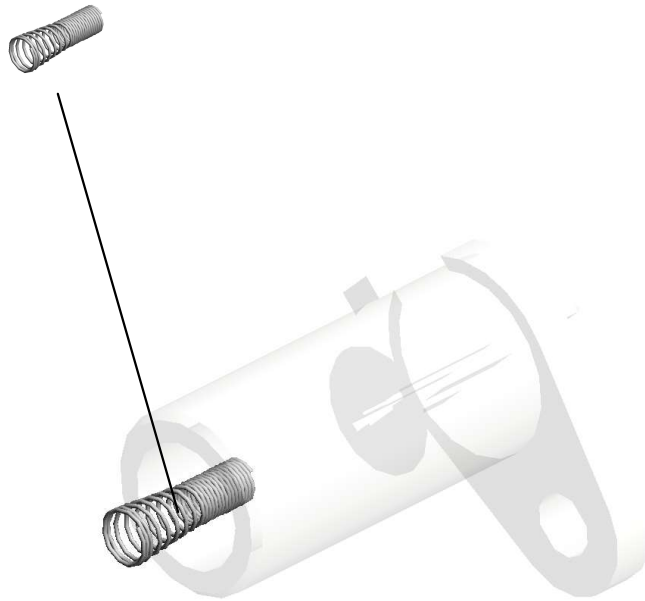
U001	U002	U003	U004	U005	U006	U007	U008	U009	U010	U011	U012	U013	U014	U015	U016	U017	U018	U019	U020
------	------	------	------	------	-------------	------	------	------	------	------	------	------	------	------	------	------	------	------	------

U006_S032
RECEPTACLE:DEVELOPMENT BIAS:ASS'Y

17-AA063371
SPRING



72-D0743446
RECEPTACLE:DEV
ELOPMENT BIAS:A
SS'Y



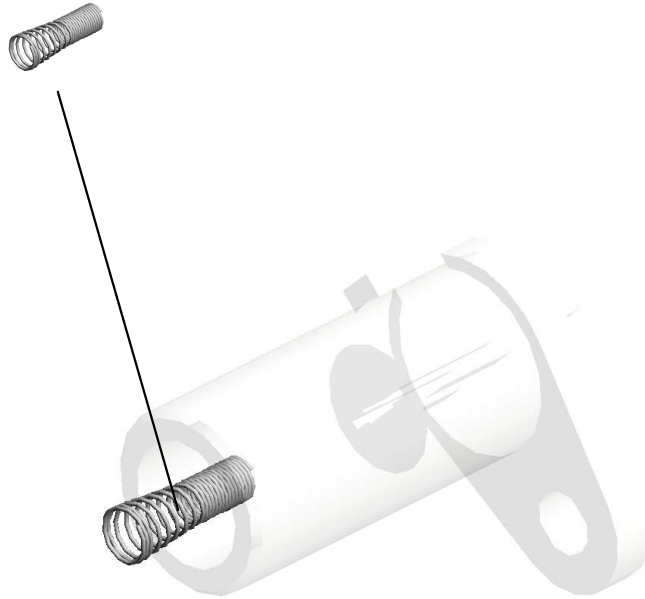
U001	U002	U003	U004	U005	U006	U007	U008	U009	U010	U011	U012	U013	U014	U015	U016	U017	U018	U019	U020
------	------	------	------	------	-------------	------	------	------	------	------	------	------	------	------	------	------	------	------	------

U006_S033
RECEPTACLE:DEVELOPMENT BIAS:ASS'Y

17-AA063371
SPRING



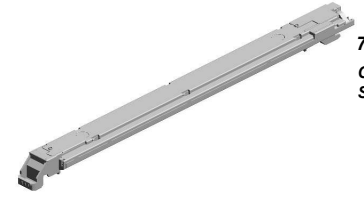
72-D0743446
RECEPTACLE:DEV
ELOPMENT BIAS:A
SS'Y



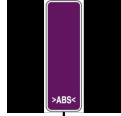
U001	U002	U003	U004	U005	U006	U007	U008	U009	U010	U011	U012	U013	U014	U015	U016	U017	U018	U019	U020
------	------	------	------	------	-------------	------	------	------	------	------	------	------	------	------	------	------	------	------	------

U006_S034
CHARGE UNIT:ASS'Y

94.D1942165
DECAL:GRIP



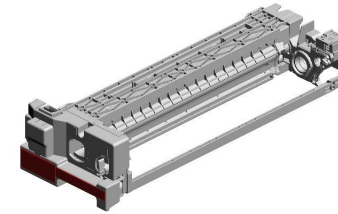
74.D0A52150
CHARGE UNIT:AS
S'Y



U001	U002	U003	U004	U005	U006	U007	U008	U009	U010	U011	U012	U013	U014	U015	U016	U017	U018	U019	U020
------	------	------	------	------	------	------	------	------	------	------	------	------	------	------	------	------	------	------	------

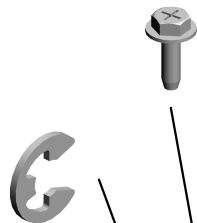
U006_S035
PCU:ASS'Y

- 6.04503010N (x4) TAPPING SCREW - M3X10
- 34.D0742367 HOLDER:LOCK:CHARGE UNIT
- 35.D0742368 COMPRESSION SPRING:LOCK:CHARGE UNIT
- 33.D0742366 LEVER:LOCK:CHARGE UNIT
- 37.D0742377 TENSION SPRING:LOCK:PCU



124.D0A52302
PCU:ASS'Y
201905-06 X/O

9.07200030E
RETAINING RING - M3



5.03603006N (x18) SCREW - M3X6



36.D0742376
LEVER:LOCK:PCU



42.D0742393
COVER:PCU:FRONT



4.03530080N (x4) SCREW:M3X8



11.08025320 (x2) HEXAGON HEAD TAPPING SCREW:ES:3X10



43.D0742395
GROUND PLATE:PCU:ASSY



12.08046128 (x7) HEXAGONAL BOLT:DOUBLE SCREW:M3X10



40.D0742383
LEVER:LOCK:CLEANING UNIT:FRONT



39.D0742382
HOLDER:LOCK:CLEANING UNIT:FRONT



3.03530060N (x2) BIND SCREW - M3X6



41.D0742386
HOLDER:LOCK:CLEANING UNIT:REAR



2.03530050N (x2) SCREW-M3X5



29.D0742192
SHEET:DISCHARGE LAMP



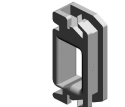
38.D0742381 (x2) COMPRESSION SPRING:LOCK:CLEANING UNIT



15.11050723
CLAMPS:WES-0507



10.07200040E (x6)
RETAINING RING - M4



U001	U002	U003	U004	U005	U006	U007	U008	U009	U010	U011	U012	U013	U014	U015	U016	U017	U018	U019	U020
------	------	------	------	------	------	------	------	------	------	------	------	------	------	------	------	------	------	------	------

U006_S035
PCU:ASS'Y

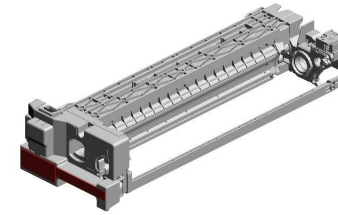
68.D0743362
ELECTRODE PLAT
E:DEVELOPMENT
BIAS:FRONT

139.D0A53456
SEAL:DEVELOPME
NT ROLLER:FRON
T:2
202011-03

140.D0A53457
SEAL:DEVELOPME
NT ROLLER:FRON
T:1
202011-04 O/O

65.D0743321
PLATE:FILTER

93.D1363431
FILTER:DEVELOP
MENT



124.D0A52302
[A]
PCU:ASS'Y
201905-06 X/O

73.D0743829
DECAL:POSITIONI
NG DISPLAY:TCRU



71.D0743440
COVER:INSERT:DE
VELOPER



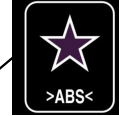
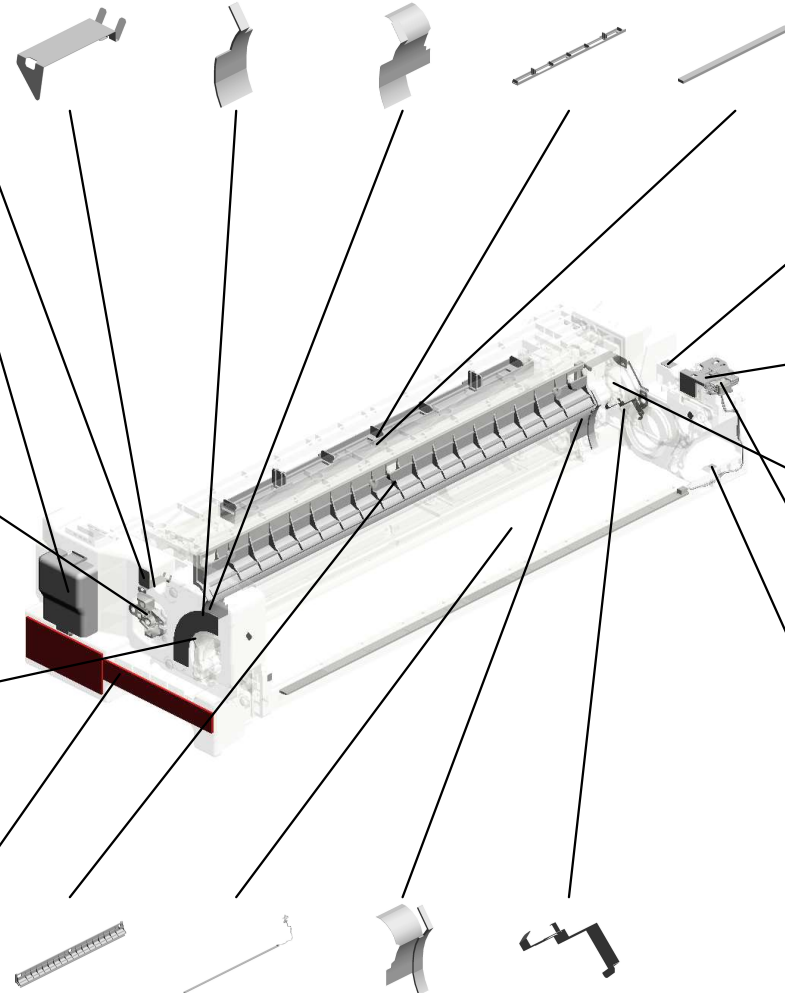
123.D1943356
POSITIONING PLA
TE:MAIN POLE:ASS
Y



56.D0742540
DECAL:LOCK:CLEA
NING UNIT



79.D0A52588
DECAL:LASER DIO
DE:MULT-LANGUA
GE



59.D0742544
DECAL:POSITIONI
NG DISPLAY

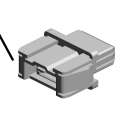
107.D1942537
COVER:PAPER VO
LUME SENSOR:CO
ATING BAR



69.D0743367
ELECTRODE PLAT
E:DEVELOPMENT
BIAS:REAR UPPER



118.J0155505
DRAWER:CONNEC
TOR:USED DEVEL
PER:PLUG



57.D0742541
(x4)
DECAL:ARROW LA
BEL

66.D0743330
ENTRANCE SEAL:
DEVELOPMENT:AS
S'Y

96.D1942191
DISCHARGE LAMP:
LED ARRAY

92.D1363407
SEAL:DEVELOPME
NT ROLLER:REAR

70.D0743368
ELECTRODE PLAT
E:DEVELOPMENT
BIAS:REAR LOWE
R



D0A52301
[A]
PCU:ASS'Y
201905-06 X/O

U001	U002	U003	U004	U005	U006	U007	U008	U009	U010	U011	U012	U013	U014	U015	U016	U017	U018	U019	U020
------	------	------	------	------	------	------	------	------	------	------	------	------	------	------	------	------	------	------	------

U006_S035_S001
GUIDE:TONER SUPPLY:ASS'Y

67.D0743352
SEAL:GUIDE:TONE
R SUPPLY:UPPER



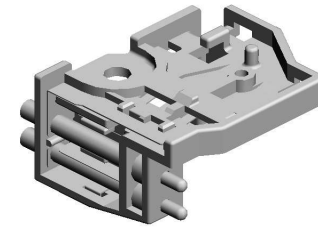
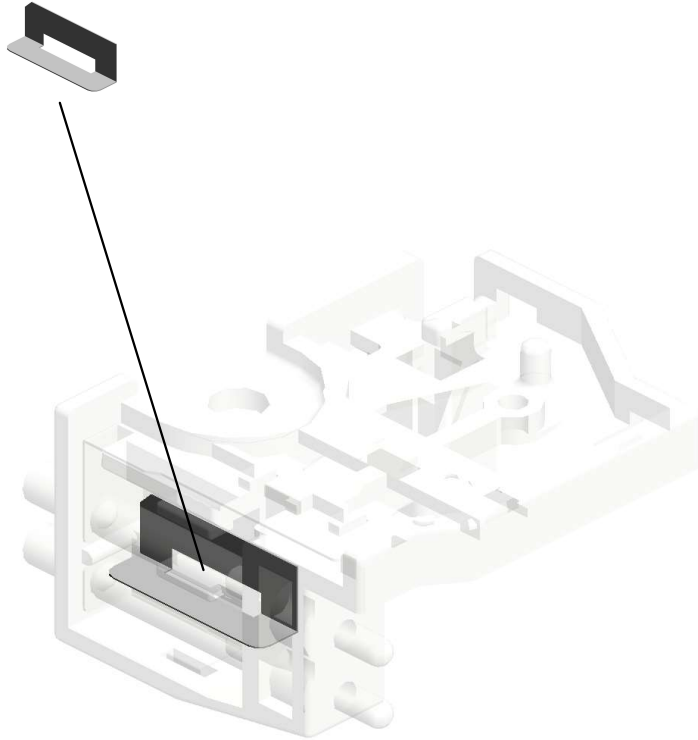
80.D0A53316
GUIDE:TONER SUP
PLY:ASS'Y



U001	U002	U003	U004	U005	U006	U007	U008	U009	U010	U011	U012	U013	U014	U015	U016	U017	U018	U019	U020
------	------	------	------	------	-------------	------	------	------	------	------	------	------	------	------	------	------	------	------	------

U006_S035_S002
TERMINAL:PAPER VOLUME SENSOR:COATING BAR:ASS'Y

108.D1942539
SHEET:TERMINAL
COVER



106.D1942531
TERMINAL:PAPER
VOLUME SENSOR:
COATING BAR:ASS
'Y

U001	U002	U003	U004	U005	U006	U007	U008	U009	U010	U011	U012	U013	U014	U015	U016	U017	U018	U019	U020
------	------	------	------	------	-------------	------	------	------	------	------	------	------	------	------	------	------	------	------	------

U006_S036
CLEANING UNIT:ASS'Y

5.03603006N
(x4)
SCREW - M3X6

90.D1362441
BLADE:APPLY:AS
S'Y

87.D1362411
COATING BAR:AS
S'Y

48.D0742448
TRANSPORT SCRE
W:APPLY:ASS'Y

89.D1362418
TENSION SPRING:
COATING BAR:18N



76.D0A52320
CLEANING UNIT:AS
S'Y

58.D0742542
(x2)
DECAL:GRIP



103.D1942485
(x2)
SEAL:BLADE:APP
LY



99.D1942457
COVER:BEARING:
OIL SUPPLY ROLL
ER:FRONT



46.D0742424
SEAL:BLADE:CLE
ANING:FRONT



45.D0742419
(x2)
PLAIN SHAFT BEA
RING:TRANSPORT
SCREW



86.D1362365
CLEANING BLADE:
ASS'Y

44.D0742414
TRANSPORT SCRE
W:BASE:ASS'Y

88.D1362417
(x2)
ARM:COATING BA
R

47.D0742425
SEAL:BLADE:CLE
ANING:REAR

3.03530060N
(x4)
BIND SCREW - M3
X6

49.D0742459
JOINT:CLEANING
UNIT



5.03603006N (x 1)
SCREW - M3X6
10.07200040E (x 2)
RETAINING RING - M4

100.D1942458
COVER:BEARING:
OIL SUPPLY ROLL
ER:REAR



51.D0742491
COVER:TONER OU
TLET SUB-UNIT:CL
EANING UNIT:ASS'
Y



52.D0742497
VIBRATING PLATE:
TONER OUTLET S
UB-UNIT



11.08025320
HEXAGON HEAD T
APPING SCREW:R
S:3X10



U001	U002	U003	U004	U005	U006	U007	U008	U009	U010	U011	U012	U013	U014	U015	U016	U017	U018	U019	U020
------	------	------	------	------	------	------	------	------	------	------	------	------	------	------	------	------	------	------	------

U006_S036

CLEANING UNIT:ASS'Y

145.D1942439 SEAL:FRAME:APPL
Y:FRONT SIDE

147.D1942441 SEAL:FRAME:COA
TING BAR:FRONT
SIDE

149.D1942443 SEAL:FRAME:COA
TING BAR:UPPER



76.D0A52320
CLEANING UNIT:A
SS'Y

105.D1942507
GROUND PLATE:OI
L SUPPLY ROLLER
:ASS'Y



104.D1942506
DRUM STAY:CLEA
NING UNIT



148.D1942442
SEAL:FRAME:COA
TING BAR:REAR SI
DE



146.D1942440
SEAL:FRAME:APPL
Y:REAR SIDE



127.D0A52510
(x2)
CUSHION:CLEANIN
G UNIT:ASS'Y



117.D2582402
OIL SUPPLY ROLL
ER:ASS'Y



U001	U002	U003	U004	U005	U006	U007	U008	U009	U010	U011	U012	U013	U014	U015	U016	U017	U018	U019	U020
------	------	------	------	------	------	------	------	------	------	------	------	------	------	------	------	------	------	------	------

U006_S036_S001
STAY:APPLY:ASS'Y

50.D0742477
(x2)
SHEET:STAY:APPL
Y

102.D1942475
STAY:APPLY:ASS'Y



5.03603006N
(x2)
SCREW - M3X6

U001	U002	U003	U004	U005	U006	U007	U008	U009	U010	U011	U012	U013	U014	U015	U016	U017	U018	U019	U020
------	------	------	------	------	-------------	------	------	------	------	------	------	------	------	------	------	------	------	------	------

U006_S036_S002
GEAR:CLEANING:DRUM:SERVICE

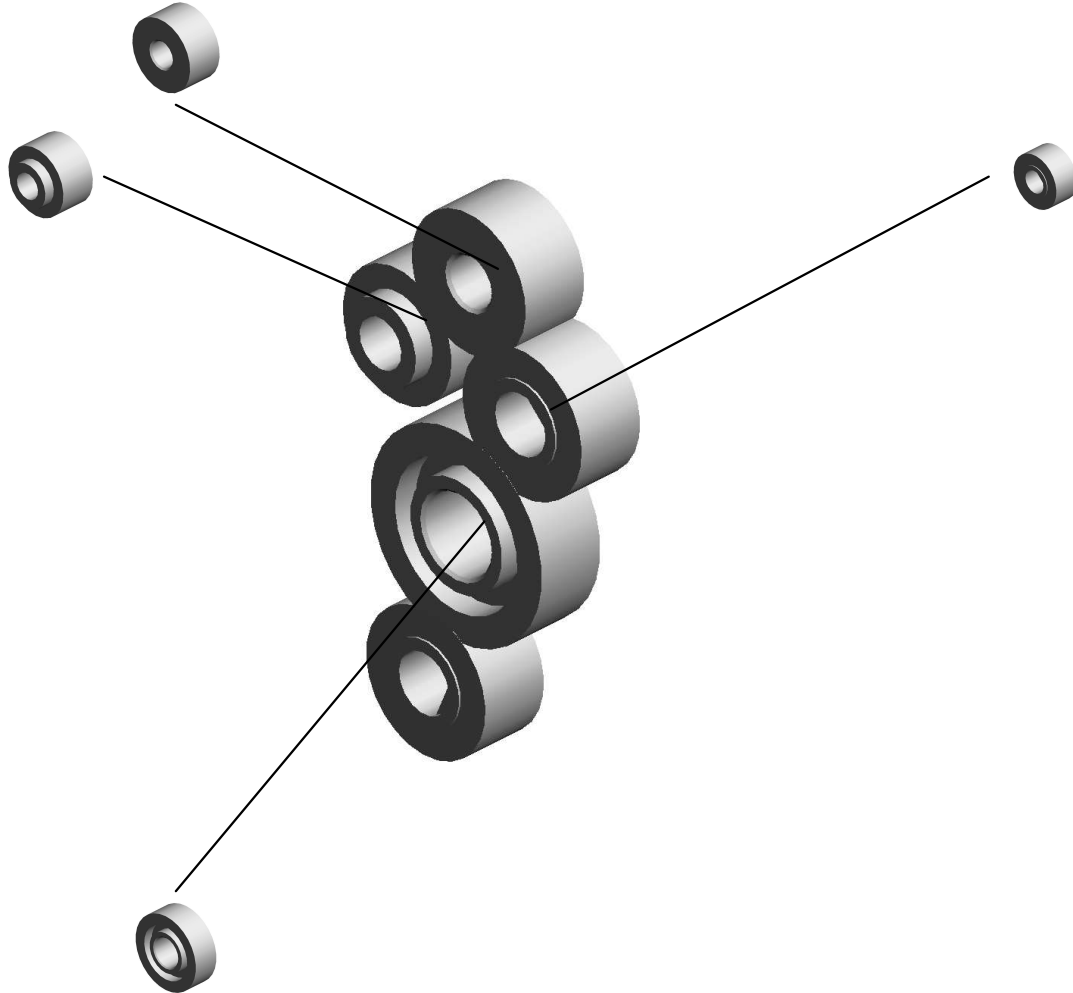
54.D0742502
GEAR:IDLER:20Z:L
EFT

101.D1942460
GEAR:19Z:RIGHT

53.D0742501
(x2)
GEAR:21Z:RIGHT

55.D0742503
GEAR:IDLER:31Z:L
EFT

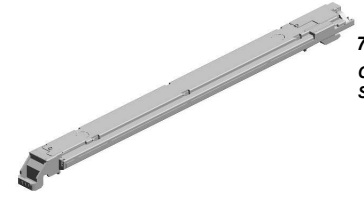
119.D1942550
GEAR:CLEANING:
DRUM:SERVICE



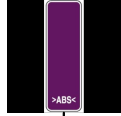
U001	U002	U003	U004	U005	U006	U007	U008	U009	U010	U011	U012	U013	U014	U015	U016	U017	U018	U019	U020
------	------	------	------	------	-------------	------	------	------	------	------	------	------	------	------	------	------	------	------	------

U006_S037
CHARGE UNIT:ASS'Y

94.D1942165
DECAL:GRIP



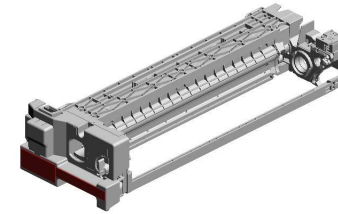
74.D0A52150
CHARGE UNIT:AS
S'Y



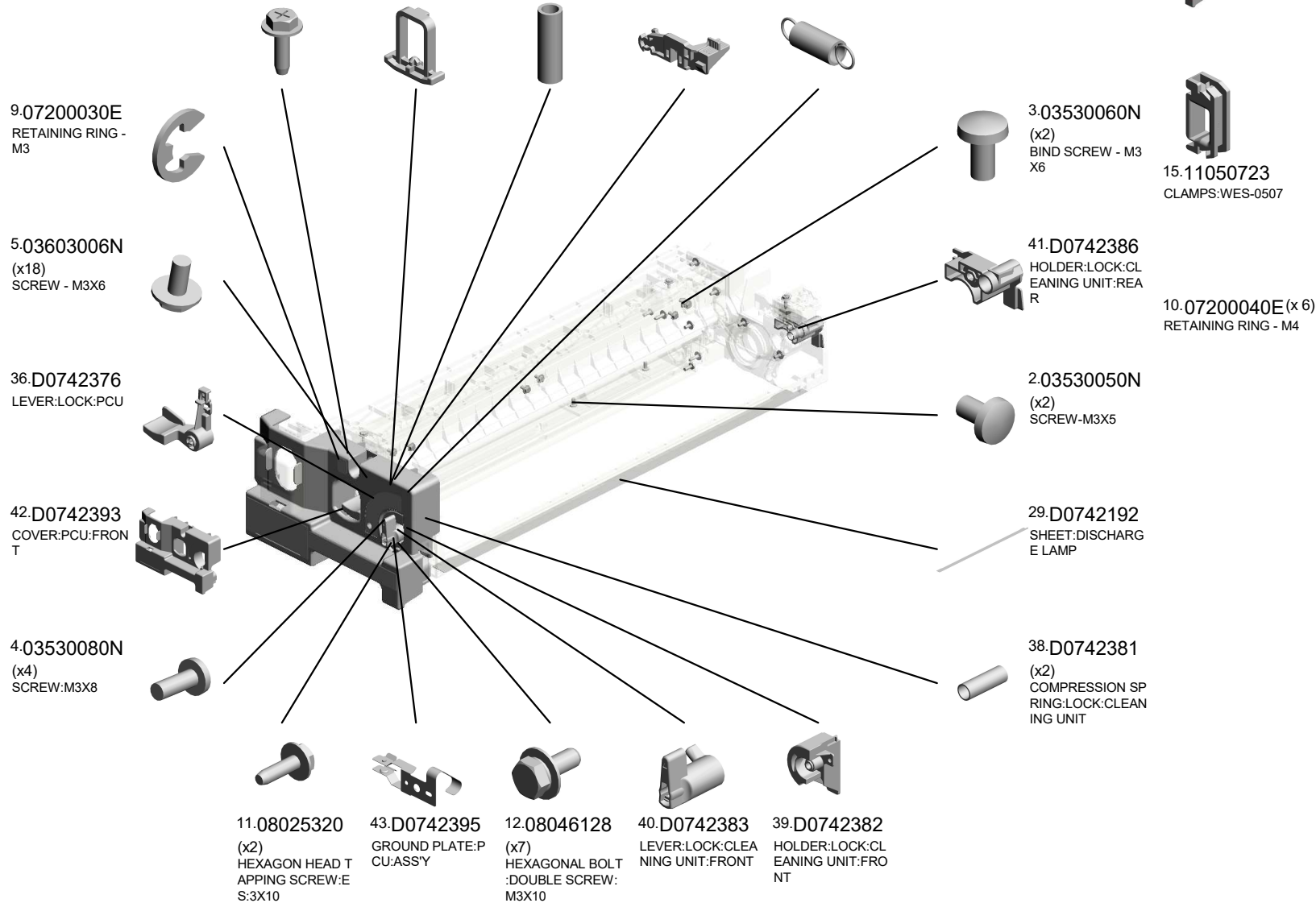
U001	U002	U003	U004	U005	U006	U007	U008	U009	U010	U011	U012	U013	U014	U015	U016	U017	U018	U019	U020
------	------	------	------	------	------	------	------	------	------	------	------	------	------	------	------	------	------	------	------

U006_S038
PCU:ASS'Y

- 6.04503010N (x4) TAPPING SCREW - M3X10
- 34.D0742367 HOLDER:LOCK:CHARGE UNIT
- 35.D0742368 COMPRESSION SPRING:LOCK:CHARGE UNIT
- 33.D0742366 LEVER:LOCK:CHARGE UNIT
- 37.D0742377 TENSION SPRING:LOCK:PCU



124.D0A52302
[A]
PCU:ASS'Y
201905-06 X/O



U001	U002	U003	U004	U005	U006	U007	U008	U009	U010	U011	U012	U013	U014	U015	U016	U017	U018	U019	U020
------	------	------	------	------	------	------	------	------	------	------	------	------	------	------	------	------	------	------	------

U006_S038
PCU:ASS'Y

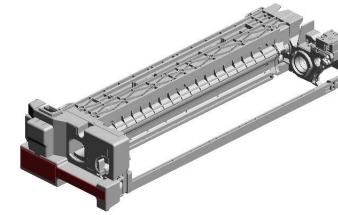
68.D0743362
ELECTRODE PLAT
E:DEVELOPMENT
BIAS:FRONT

139.D0A53456
SEAL:DEVELOPME
NT ROLLER:FRON
T:2
202011-03

140.D0A53457
SEAL:DEVELOPME
NT ROLLER:FRON
T:1
202011-04 O/O

65.D0743321
PLATE:FILTER

93.D1363431
FILTER:DEVELOP
MENT



124.D0A52302
[A]
PCU:ASS'Y
201905-06 X/O

73.D0743829
DECAL:POSITIONI
NG DISPLAY:TCRU



71.D0743440
COVER:INSERT:DE
VELOPER



123.D1943356
POSITIONING PLA
TE:MAIN POLE:ASS
Y



56.D0742540
DECAL:LOCK:CLEA
NING UNIT



79.D0A52588
DECAL:LASER DIO
DE:MULT-LANGUA
GE



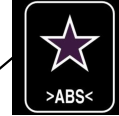
66.D0743330
ENTRANCE SEAL:
DEVELOPMENT:AS
S'Y

96.D1942191
DISCHARGE LAMP:
LED ARRAY

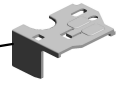
92.D1363407
SEAL:DEVELOPME
NT ROLLER:REAR

70.D0743368
ELECTRODE PLAT
E:DEVELOPMENT
BIAS:REAR LOWE
R

59.D0742544
DECAL:POSITIONI
NG DISPLAY



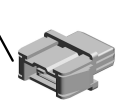
107.D1942537
COVER:PAPER VO
LUME SENSOR:CO
ATING BAR



69.D0743367
ELECTRODE PLAT
E:DEVELOPMENT
BIAS:REAR UPPER



118.J0155505
DRAWER:CONNEC
TOR:USED DEVEL
PER:PLUG



57.D0742541
(x4)
DECAL:ARROW LA
BEL



D0A52301
[A]
PCU:ASS'Y
201905-06 X/O

U006_S038_S001
GUIDE:TONER SUPPLY:ASS'Y

67.D0743352
SEAL:GUIDE:TONE
R SUPPLY:UPPER



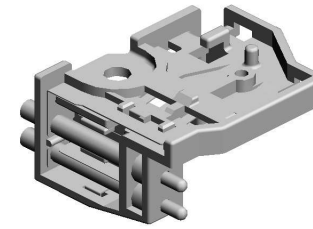
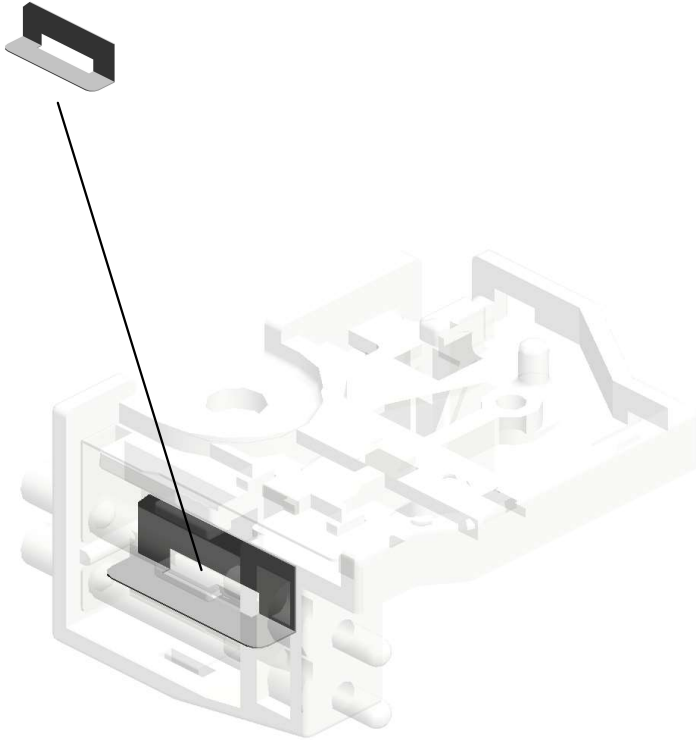
80.D0A53316
GUIDE:TONER SUP
PLY:ASS'Y



U001	U002	U003	U004	U005	U006	U007	U008	U009	U010	U011	U012	U013	U014	U015	U016	U017	U018	U019	U020
------	------	------	------	------	-------------	------	------	------	------	------	------	------	------	------	------	------	------	------	------

U006_S038_S002
TERMINAL:PAPER VOLUME SENSOR:COATING BAR:ASS'Y

108.D1942539
SHEET:TERMINAL
COVER



106.D1942531
TERMINAL:PAPER
VOLUME SENSOR:
COATING BAR:ASS
'Y

U001	U002	U003	U004	U005	U006	U007	U008	U009	U010	U011	U012	U013	U014	U015	U016	U017	U018	U019	U020
------	------	------	------	------	-------------	------	------	------	------	------	------	------	------	------	------	------	------	------	------

U006_S039
CLEANING UNIT:ASS'Y

5.03603006N
(x4)
SCREW - M3X6

90.D1362441
BLADE:APPLY:AS
S'Y

87.D1362411
COATING BAR:AS
S'Y

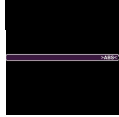
48.D0742448
TRANSPORT SCRE
W:APPLY:ASS'Y

89.D1362418
TENSION SPRING:
COATING BAR:18N



76.D0A52320
CLEANING UNIT:A
SS'Y

58.D0742542
(x2)
DECAL:GRIP



103.D1942485
(x2)
SEAL:BLADE:APP
LY



99.D1942457
COVER:BEARING:
OIL SUPPLY ROLL
ER:FRONT



46.D0742424
SEAL:BLADE:CLE
ANING:FRONT



45.D0742419
(x2)
PLAIN SHAFT BEA
RING:TRANSPORT
SCREW



86.D1362365
CLEANING BLADE:
ASS'Y

44.D0742414
TRANSPORT SCRE
W:BASE:ASS'Y

88.D1362417
(x2)
ARM:COATING BA
R

47.D0742425
SEAL:BLADE:CLE
ANING:REAR

3.03530060N
(x4)
BIND SCREW - M3
X6

49.D0742459
JOINT:CLEANING
UNIT



5.03603006N (x 1)
SCREW - M3X6
10.07200040E (x 2)
RETAINING RING - M4

100.D1942458
COVER:BEARING:
OIL SUPPLY ROLL
ER:REAR



51.D0742491
COVER:TONER OU
TLET SUB-UNIT:CL
EANING UNIT:ASS'
Y



52.D0742497
VIBRATING PLATE:
TONER OUTLET S
UB-UNIT



11.08025320
HEXAGON HEAD T
APPING SCREW:E
S:3X10



U006_S039

CLEANING UNIT:ASS'Y

145.D1942439 SEAL:FRAME:APPL
Y:FRONT SIDE

147.D1942441 SEAL:FRAME:COA
TING BAR:FRONT
SIDE

149.D1942443 SEAL:FRAME:COA
TING BAR:UPPER
SIDE

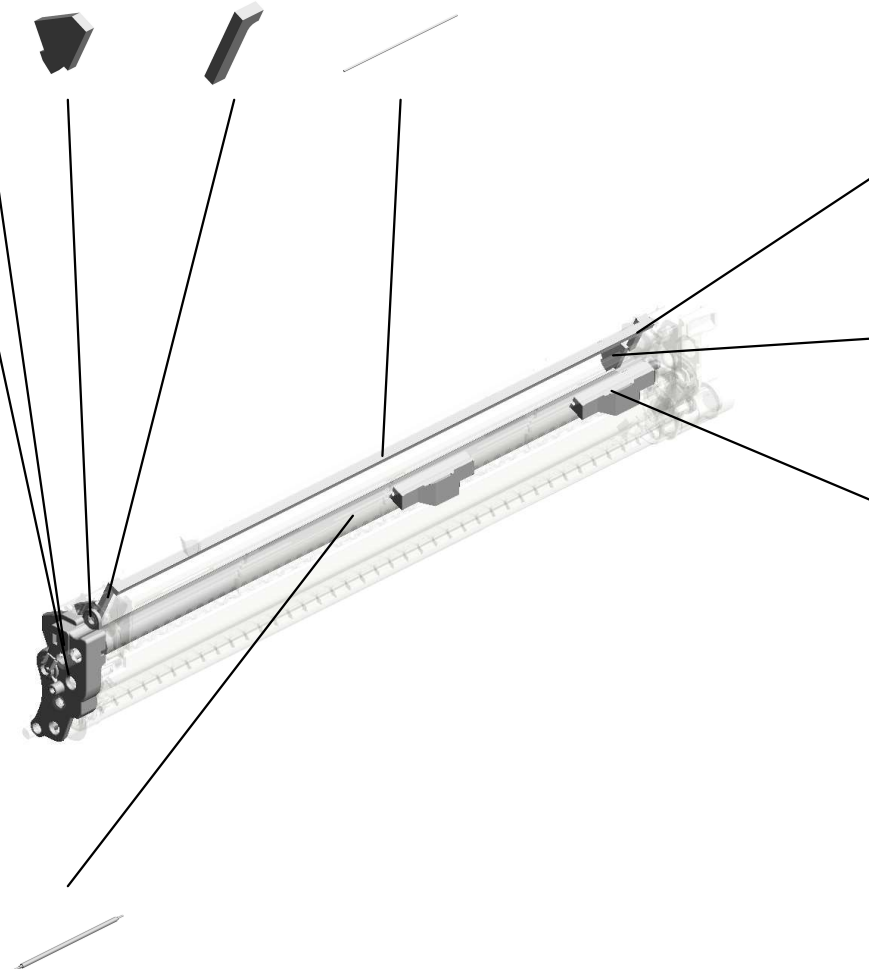


76.D0A52320
CLEANING UNIT:A
SS'Y

105.D1942507
GROUND PLATE:OI
L SUPPLY ROLLER
:ASS'Y



104.D1942506
DRUM STAY:CLEA
NING UNIT



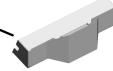
148.D1942442
SEAL:FRAME:COA
TING BAR:REAR SI
DE



146.D1942440
SEAL:FRAME:APPL
Y:REAR SIDE



127.D0A52510
(x2)
CUSHION:CLEANIN
G UNIT:ASS'Y



117.D2582402
OIL SUPPLY ROLL
ER:ASS'Y



U001	U002	U003	U004	U005	U006	U007	U008	U009	U010	U011	U012	U013	U014	U015	U016	U017	U018	U019	U020
------	------	------	------	------	------	------	------	------	------	------	------	------	------	------	------	------	------	------	------

U006_S039_S001
STAY:APPLY:ASS'Y

50.D0742477
(x2)
SHEET:STAY:APPL
Y

102.D1942475
STAY:APPLY:ASS'Y



U001	U002	U003	U004	U005	U006	U007	U008	U009	U010	U011	U012	U013	U014	U015	U016	U017	U018	U019	U020
------	------	------	------	------	-------------	------	------	------	------	------	------	------	------	------	------	------	------	------	------

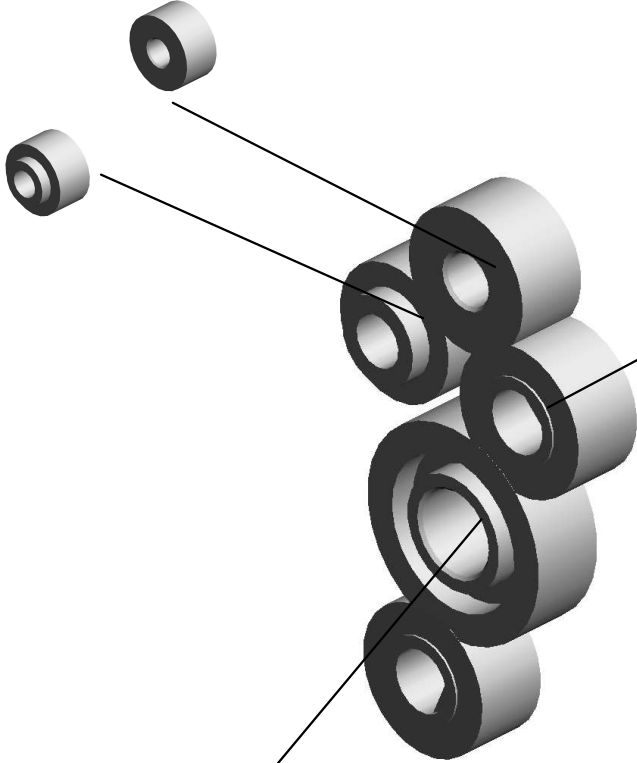
U006_S039_S002
GEAR:CLEANING:DRUM:SERVICE

54.D0742502
GEAR:IDLER:20Z:L
EFT

119.D1942550
GEAR:CLEANING:
DRUM:SERVICE



101.D1942460
GEAR:19Z:RIGHT



53.D0742501
(x2)
GEAR:21Z:RIGHT

55.D0742503
GEAR:IDLER:31Z:L
EFT

U001	U002	U003	U004	U005	U006	U007	U008	U009	U010	U011	U012	U013	U014	U015	U016	U017	U018	U019	U020
------	------	------	------	------	-------------	------	------	------	------	------	------	------	------	------	------	------	------	------	------

U006_S040
CHARGE UNIT:ASS'Y

94.D1942165
DECAL:GRIP



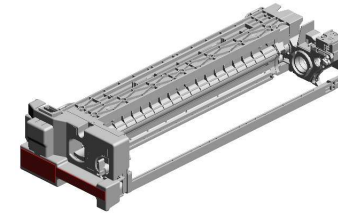
74.D0A52150
CHARGE UNIT:AS
S'Y



U001	U002	U003	U004	U005	U006	U007	U008	U009	U010	U011	U012	U013	U014	U015	U016	U017	U018	U019	U020
------	------	------	------	------	------	------	------	------	------	------	------	------	------	------	------	------	------	------	------

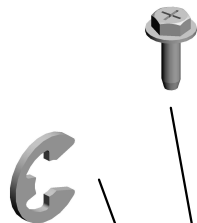
U006_S041
PCU:ASS'Y

- 6.04503010N (x4) TAPPING SCREW - M3X10
- 34.D0742367 HOLDER:LOCK:CHARGE UNIT
- 35.D0742368 COMPRESSION SPRING:LOCK:CHARGE UNIT
- 33.D0742366 LEVER:LOCK:CHARGE UNIT
- 37.D0742377 TENSION SPRING:LOCK:PCU



124.D0A52302
[A]
PCU:ASS'Y
201905-06 X/O

9.07200030E
RETAINING RING - M3



5.03603006N (x18) SCREW - M3X6



36.D0742376
LEVER:LOCK:PCU



42.D0742393
COVER:PCU:FRONT



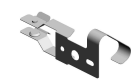
4.03530080N (x4) SCREW:M3X8



11.08025320 (x2) HEXAGON HEAD TAPPING SCREW:ES:3X10



43.D0742395
GROUND PLATE:PCU:ASSY



12.08046128 (x7) HEXAGONAL BOLT:DOUBLE SCREW:M3X10



40.D0742383
LEVER:LOCK:CLEANING UNIT:FRONT



39.D0742382
HOLDER:LOCK:CLEANING UNIT:FRONT



3.03530060N (x2) BIND SCREW - M3X6



15.11050723
CLAMPS:WES-0507



41.D0742386
HOLDER:LOCK:CLEANING UNIT:REAR



10.07200040E (x6)
RETAINING RING - M4

2.03530050N (x2) SCREW-M3X5



29.D0742192
SHEET:DISCHARGE LAMP



38.D0742381 (x2) COMPRESSION SPRING:LOCK:CLEANING UNIT



U001	U002	U003	U004	U005	U006	U007	U008	U009	U010	U011	U012	U013	U014	U015	U016	U017	U018	U019	U020
------	------	------	------	------	------	------	------	------	------	------	------	------	------	------	------	------	------	------	------

U006_S041
PCU:ASS'Y

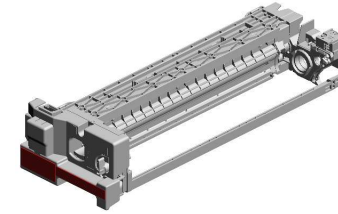
68.D0743362
ELECTRODE PLAT
E:DEVELOPMENT
BIAS:FRONT

139.D0A53456
SEAL:DEVELOPME
NT ROLLER:FRON
T:2
202011-03

140.D0A53457
SEAL:DEVELOPME
NT ROLLER:FRON
T:1
202011-04 O/O

65.D0743321
PLATE:FILTER

93.D1363431
FILTER:DEVELOP
MENT



124.D0A52302
[A]
PCU:ASS'Y
201905-06 X/O

73.D0743829
DECAL:POSITIONI
NG DISPLAY:TCRU



71.D0743440
COVER:INSERT:DE
VELOPER



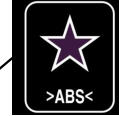
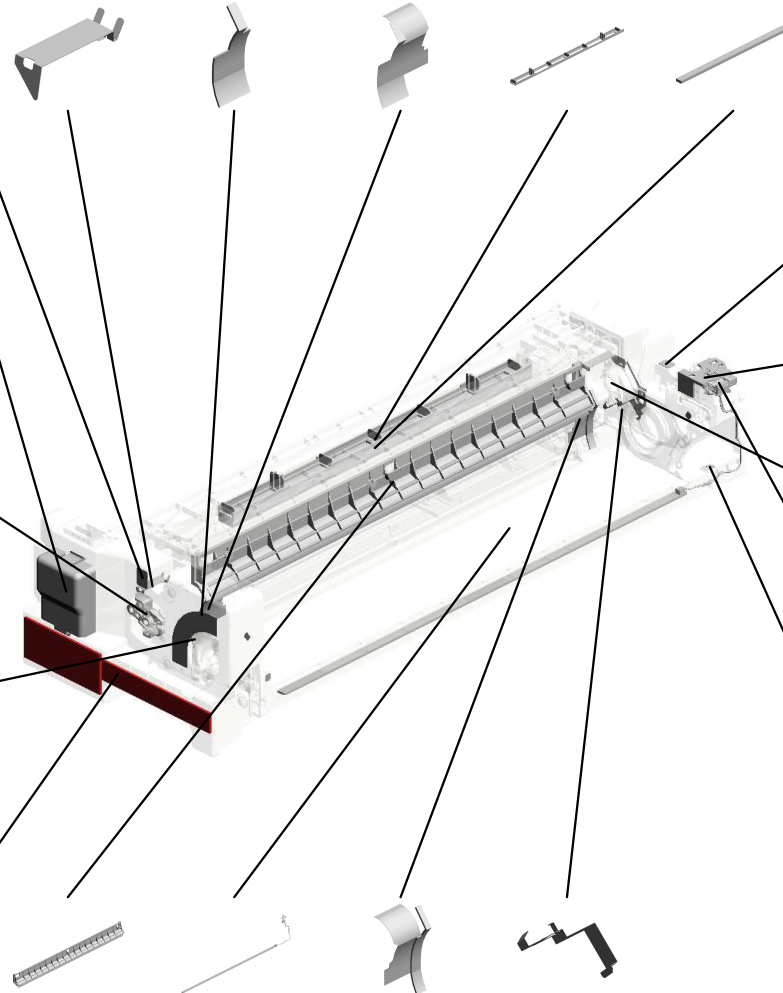
123.D1943356
POSITIONING PLA
TE:MAIN POLE:ASS
Y



56.D0742540
DECAL:LOCK:CLEA
NING UNIT



79.D0A52588
DECAL:LASER DIO
DE:MULT-LANGUA
GE



59.D0742544
DECAL:POSITIONI
NG DISPLAY

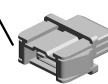
107.D1942537
COVER:PAPER VO
LUME SENSOR:CO
ATING BAR



69.D0743367
ELECTRODE PLAT
E:DEVELOPMENT
BIAS:REAR UPPER



118.J0155505
DRAWER:CONNEC
TOR:USED DEVEL
PER:PLUG



57.D0742541
(x4)
DECAL:ARROW LA
BEL

66.D0743330
ENTRANCE SEAL:
DEVELOPMENT:AS
S'Y

96.D1942191
DISCHARGE LAMP:
LED ARRAY

92.D1363407
SEAL:DEVELOPME
NT ROLLER:REAR

70.D0743368
ELECTRODE PLAT
E:DEVELOPMENT
BIAS:REAR LOWE
R

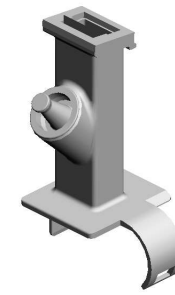


D0A52301
[A]
PCU:ASS'Y
201905-06 X/O

U001	U002	U003	U004	U005	U006	U007	U008	U009	U010	U011	U012	U013	U014	U015	U016	U017	U018	U019	U020
------	------	------	------	------	------	------	------	------	------	------	------	------	------	------	------	------	------	------	------

U006_S041_S001
GUIDE:TONER SUPPLY:ASS'Y

67.D0743352
SEAL:GUIDE:TONE
R SUPPLY:UPPER

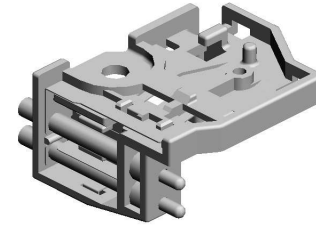
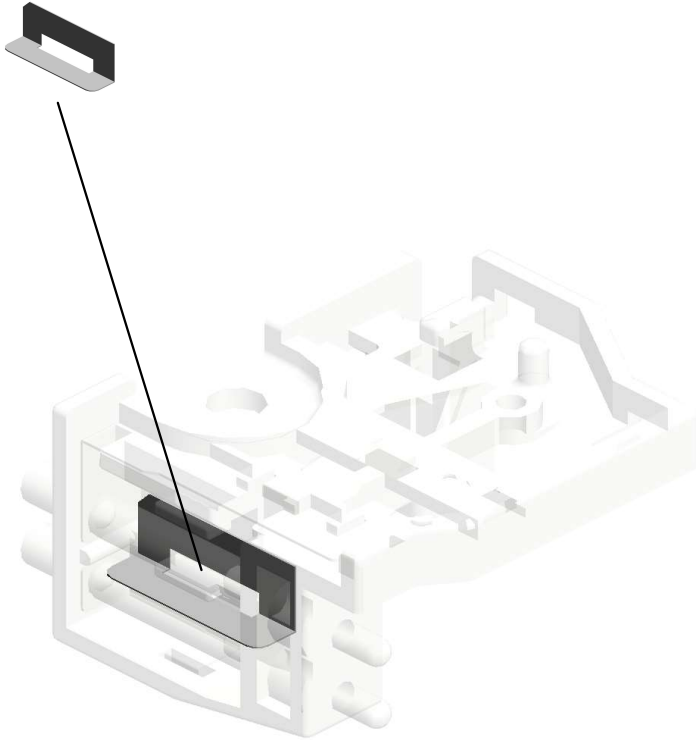


80.D0A53316
GUIDE:TONER SUP
PLY:ASS'Y

U001	U002	U003	U004	U005	U006	U007	U008	U009	U010	U011	U012	U013	U014	U015	U016	U017	U018	U019	U020
------	------	------	------	------	-------------	------	------	------	------	------	------	------	------	------	------	------	------	------	------

U006_S041_S002
TERMINAL:PAPER VOLUME SENSOR:COATING BAR:ASS'Y

108.D1942539
SHEET:TERMINAL
COVER



106.D1942531
TERMINAL:PAPER
VOLUME SENSOR:
COATING BAR:ASS
'Y

U001	U002	U003	U004	U005	U006	U007	U008	U009	U010	U011	U012	U013	U014	U015	U016	U017	U018	U019	U020
------	------	------	------	------	-------------	------	------	------	------	------	------	------	------	------	------	------	------	------	------

U006_S042
CLEANING UNIT:ASS'Y

5.03603006N
(x4)
SCREW - M3X6

90.D1362441
BLADE:APPLY:AS
S'Y

87.D1362411
COATING BAR:AS
S'Y

48.D0742448
TRANSPORT SCRE
W:APPLY:ASS'Y

89.D1362418
TENSION SPRING:
COATING BAR:18N



76.D0A52320
CLEANING UNIT:A
SS'Y

58.D0742542
(x2)
DECAL:GRIP



103.D1942485
(x2)
SEAL:BLADE:APP
LY



99.D1942457
COVER:BEARING:
OIL SUPPLY ROLL
ER:FRONT



46.D0742424
SEAL:BLADE:CLE
ANING:FRONT



45.D0742419
(x2)
PLAIN SHAFT BEA
RING:TRANSPORT
SCREW



86.D1362365
CLEANING BLADE:
ASS'Y

44.D0742414
TRANSPORT SCRE
W:BASE:ASS'Y

88.D1362417
(x2)
ARM:COATING BA
R

47.D0742425
SEAL:BLADE:CLE
ANING:REAR

3.03530060N
(x4)
BIND SCREW - M3
X6

49.D0742459
JOINT:CLEANING
UNIT



5.03603006N (x 1)
SCREW - M3X6
10.07200040E (x 2)
RETAINING RING - M4

100.D1942458
COVER:BEARING:
OIL SUPPLY ROLL
ER:REAR



51.D0742491
COVER:TONER OU
TLET SUB-UNIT:CL
EANING UNIT:ASS'
Y



52.D0742497
VIBRATING PLATE:
TONER OUTLET S
UB-UNIT



11.08025320
HEXAGON HEAD T
APPING SCREW:E
S:3X10



U001	U002	U003	U004	U005	U006	U007	U008	U009	U010	U011	U012	U013	U014	U015	U016	U017	U018	U019	U020
------	------	------	------	------	------	------	------	------	------	------	------	------	------	------	------	------	------	------	------

U006_S042
CLEANING UNIT:ASS'Y

145.D1942439 SEAL:FRAME:APPL
Y:FRONT SIDE
147.D1942441 SEAL:FRAME:COA
TING BAR:FRONT
SIDE
149.D1942443 SEAL:FRAME:COA
TING BAR:UPPER

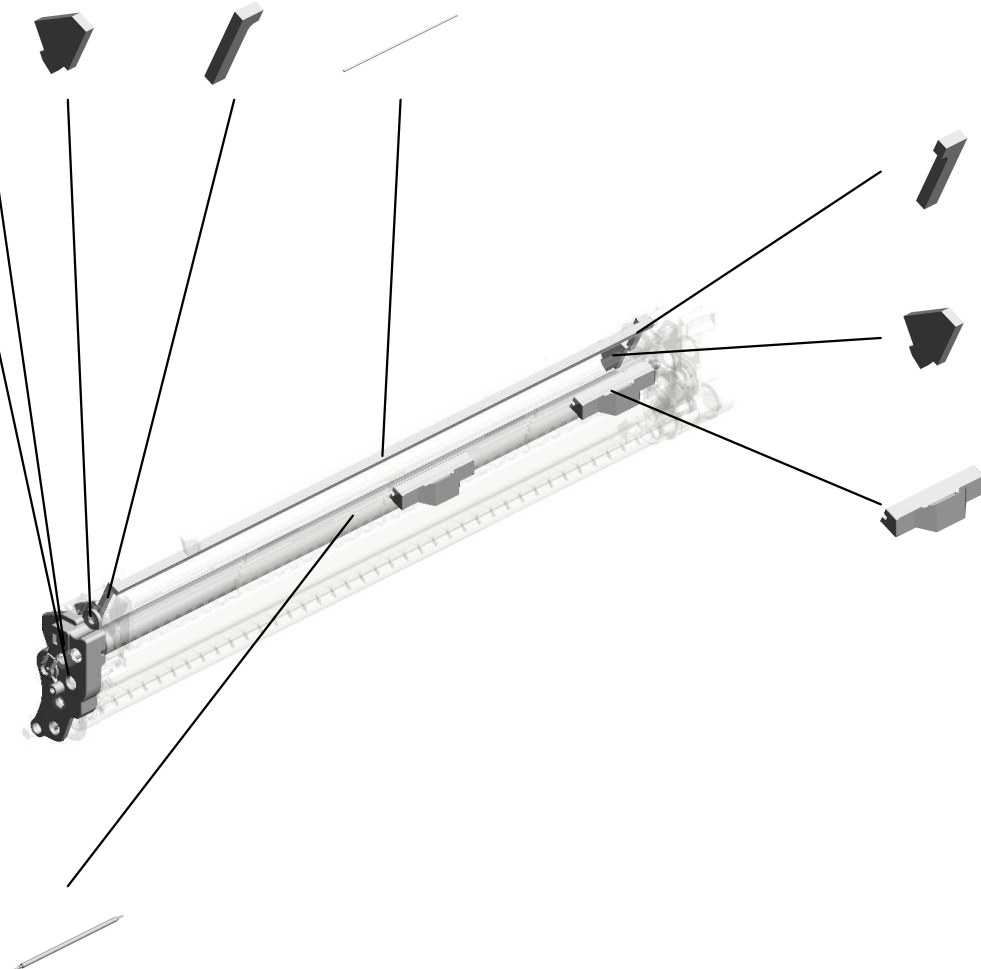


76.D0A52320
CLEANING UNIT:A
SS'Y

105.D1942507
GROUND PLATE:OI
L SUPPLY ROLLER
:ASS'Y



104.D1942506
DRUM STAY:CLEA
NING UNIT



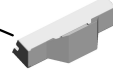
148.D1942442
SEAL:FRAME:COA
TING BAR:REAR SI
DE



146.D1942440
SEAL:FRAME:APPL
Y:REAR SIDE



127.D0A52510
(x2)
CUSHION:CLEANIN
G UNIT:ASS'Y



117.D2582402
OIL SUPPLY ROLL
ER:ASS'Y



U001	U002	U003	U004	U005	U006	U007	U008	U009	U010	U011	U012	U013	U014	U015	U016	U017	U018	U019	U020
------	------	------	------	------	------	------	------	------	------	------	------	------	------	------	------	------	------	------	------

U006_S042_S001
STAY:APPLY:ASS'Y

50.D0742477
(x2)
SHEET:STAY:APPL
Y

102.D1942475
STAY:APPLY:ASS'Y



5.03603006N
(x2)
SCREW - M3X6

U001	U002	U003	U004	U005	U006	U007	U008	U009	U010	U011	U012	U013	U014	U015	U016	U017	U018	U019	U020
------	------	------	------	------	-------------	------	------	------	------	------	------	------	------	------	------	------	------	------	------

U006_S042_S002
GEAR:CLEANING:DRUM:SERVICE

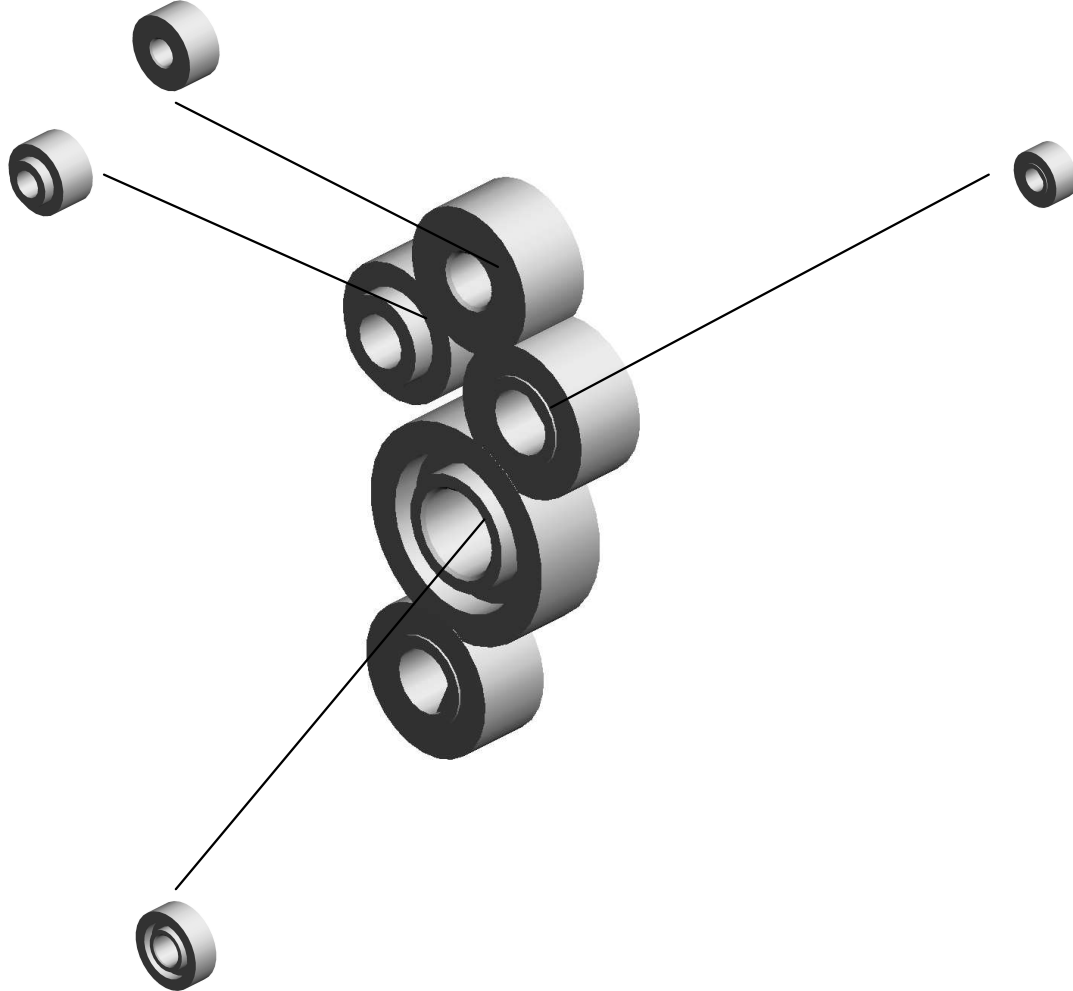
54.D0742502
GEAR:IDLER:20Z:L
EFT

101.D1942460
GEAR:19Z:RIGHT

53.D0742501
(x2)
GEAR:21Z:RIGHT

55.D0742503
GEAR:IDLER:31Z:L
EFT

119.D1942550
GEAR:CLEANING:
DRUM:SERVICE



U001	U002	U003	U004	U005	U006	U007	U008	U009	U010	U011	U012	U013	U014	U015	U016	U017	U018	U019	U020
------	------	------	------	------	-------------	------	------	------	------	------	------	------	------	------	------	------	------	------	------

U006_S043
CHARGE UNIT:ASS'Y

94.D1942165
DECAL:GRIP



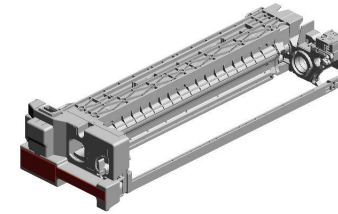
74.D0A52150
CHARGE UNIT:AS
S'Y



U001	U002	U003	U004	U005	U006	U007	U008	U009	U010	U011	U012	U013	U014	U015	U016	U017	U018	U019	U020
------	------	------	------	------	------	------	------	------	------	------	------	------	------	------	------	------	------	------	------

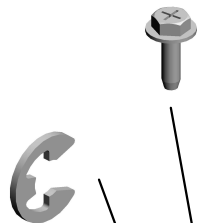
U006_S044
PCU:ASS'Y

- 6.04503010N (x4) TAPPING SCREW - M3X10
- 34.D0742367 HOLDER:LOCK:CHARGE UNIT
- 35.D0742368 COMPRESSION SPRING:LOCK:CHARGE UNIT
- 33.D0742366 LEVER:LOCK:CHARGE UNIT
- 37.D0742377 TENSION SPRING:LOCK:PCU



124.D0A52302
[A]
PCU:ASS'Y
201905-06 X/O

9.07200030E
RETAINING RING - M3



5.03603006N (x18) SCREW - M3X6



36.D0742376
LEVER:LOCK:PCU



42.D0742393
COVER:PCU:FRONT



4.03530080N (x4) SCREW:M3X8



11.08025320 (x2) HEXAGON HEAD TAPPING SCREW:ES:3X10



43.D0742395
GROUND PLATE:PCU:ASSY



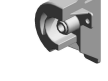
12.08046128 (x7) HEXAGONAL BOLT:DOUBLE SCREW:M3X10



40.D0742383
LEVER:LOCK:CLEANING UNIT:FRONT



39.D0742382
HOLDER:LOCK:CLEANING UNIT:FRONT



3.03530060N (x2) BIND SCREW - M3X6



15.11050723
CLAMPS:WES-0507



41.D0742386
HOLDER:LOCK:CLEANING UNIT:REAR



10.07200040E (x6)
RETAINING RING - M4

2.03530050N (x2) SCREW-M3X5



29.D0742192
SHEET:DISCHARGE LAMP



38.D0742381 (x2) COMPRESSION SPRING:LOCK:CLEANING UNIT



U001	U002	U003	U004	U005	U006	U007	U008	U009	U010	U011	U012	U013	U014	U015	U016	U017	U018	U019	U020
------	------	------	------	------	------	------	------	------	------	------	------	------	------	------	------	------	------	------	------

U006_S044
PCU:ASS'Y

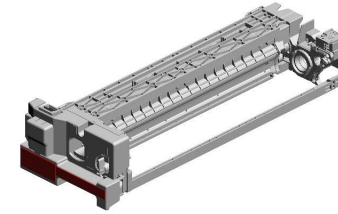
68.D0743362
ELECTRODE PLAT
E:DEVELOPMENT
BIAS:FRONT

139.D0A53456
SEAL:DEVELOPME
NT ROLLER:FRON
T:2
202011-03

140.D0A53457
SEAL:DEVELOPME
NT ROLLER:FRON
T:1
202011-04 O/O

65.D0743321
PLATE:FILTER

93.D1363431
FILTER:DEVELOP
MENT



124.D0A52302
[A]
PCU:ASS'Y
201905-06 X/O

73.D0743829
DECAL:POSITIONI
NG DISPLAY:TCRU



71.D0743440
COVER:INSERT:DE
VELOPER



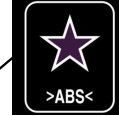
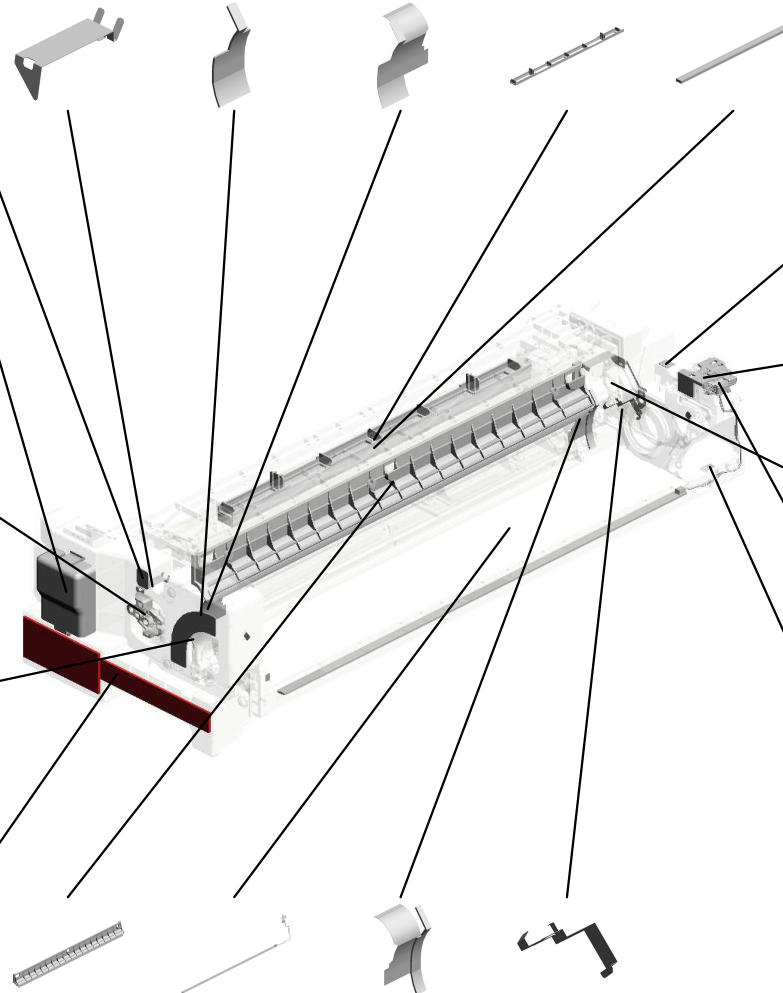
123.D1943356
POSITIONING PLA
TE:MAIN POLE:ASS
Y



56.D0742540
DECAL:LOCK:CLEA
NING UNIT

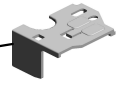


79.D0A52588
DECAL:LASER DIO
DE:MULT-LANGUA
GE



59.D0742544
DECAL:POSITIONI
NG DISPLAY

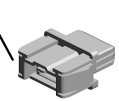
107.D1942537
COVER:PAPER VO
LUME SENSOR:CO
ATING BAR



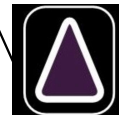
69.D0743367
ELECTRODE PLAT
E:DEVELOPMENT
BIAS:REAR UPPER



118.J0155505
DRAWER:CONNEC
TOR:USED DEVEL
PER:PLUG



57.D0742541
(x4)
DECAL:ARROW LA
BEL



66.D0743330
ENTRANCE SEAL:
DEVELOPMENT:AS
S'Y

96.D1942191
DISCHARGE LAMP:
LED ARRAY

92.D1363407
SEAL:DEVELOPME
NT ROLLER:REAR

70.D0743368
ELECTRODE PLAT
E:DEVELOPMENT
BIAS:REAR LOWE
R



D0A52301
[A]
PCU:ASS'Y
201905-06 X/O

U001	U002	U003	U004	U005	U006	U007	U008	U009	U010	U011	U012	U013	U014	U015	U016	U017	U018	U019	U020
------	------	------	------	------	------	------	------	------	------	------	------	------	------	------	------	------	------	------	------

U006_S044_S001
GUIDE:TONER SUPPLY:ASS'Y

67.D0743352
SEAL:GUIDE:TONE
R SUPPLY:UPPER



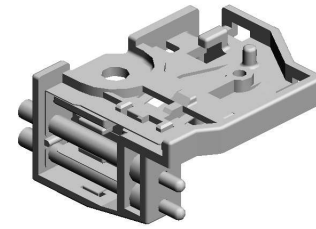
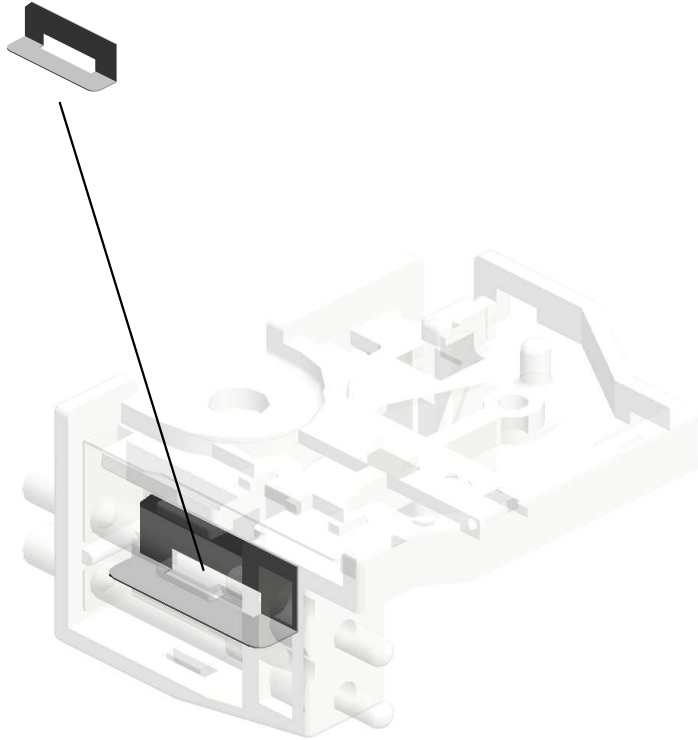
80.D0A53316
GUIDE:TONER SUP
PLY:ASS'Y



U001	U002	U003	U004	U005	U006	U007	U008	U009	U010	U011	U012	U013	U014	U015	U016	U017	U018	U019	U020
------	------	------	------	------	-------------	------	------	------	------	------	------	------	------	------	------	------	------	------	------

U006_S044_S002
TERMINAL:PAPER VOLUME SENSOR:COATING BAR:ASS'Y

108.D1942539
SHEET:TERMINAL
COVER



106.D1942531
TERMINAL:PAPER
VOLUME SENSOR:
COATING BAR:ASS
'Y

U001	U002	U003	U004	U005	U006	U007	U008	U009	U010	U011	U012	U013	U014	U015	U016	U017	U018	U019	U020
------	------	------	------	------	-------------	------	------	------	------	------	------	------	------	------	------	------	------	------	------

U006_S045
CLEANING UNIT:ASS'Y

90.D1362441
BLADE:APPLY:AS
S'Y

86.D1362365
CLEANING BLADE:
ASS'Y

87.D1362411
COATING BAR:AS
S'Y

48.D0742448
TRANSPORT SCRE
W:APPLY:ASS'Y

89.D1362418
TENSION SPRING:
COATING BAR:18N



76.D0A52320
CLEANING UNIT:AS
SS'Y

5.03603006N
(x4)
SCREW - M3X6



58.D0742542
(x2)
DECAL:GRIP



99.D1942457
COVER:BEARING:
OIL SUPPLY ROLL
ER:FRONT



46.D0742424
SEAL:BLADE:CLE
ANING:FRONT



45.D0742419
(x2)
PLAIN SHAFT BEA
RING:TRANSPORT
SCREW



44.D0742414
TRANSPORT SCRE
W:BASE:ASS'Y

88.D1362417
(x2)
ARM:COATING BA
R

47.D0742425
SEAL:BLADE:CLE
ANING:REAR

103.D1942485
(x2)
SEAL:BLADE:APP
LY

3.03530060N
(x4)
BIND SCREW - M3
X6

49.D0742459
JOINT:CLEANING
UNIT



100.D1942458
COVER:BEARING:
OIL SUPPLY ROLL
ER:REAR



51.D0742491
COVER:TONER OU
TLET SUB-UNIT:CL
EANING UNIT:ASS'
Y



52.D0742497
VIBRATING PLATE:
TONER OUTLET S
UB-UNIT



11.08025320
HEXAGON HEAD T
APPING SCREW:E
S:3X10



5.03603006N (x 1)
SCREW - M3X6
10.07200040E (x 2)
RETAINING RING - M4

U001	U002	U003	U004	U005	U006	U007	U008	U009	U010	U011	U012	U013	U014	U015	U016	U017	U018	U019	U020
------	------	------	------	------	------	------	------	------	------	------	------	------	------	------	------	------	------	------	------

U006_S045
CLEANING UNIT:ASS'Y

145.D1942439 SEAL:FRAME:APPLY:FRONT SIDE
 147.D1942441 SEAL:FRAME:COATING BAR:FRONT SIDE
 149.D1942443 SEAL:FRAME:COATING BAR:UPPER SIDE

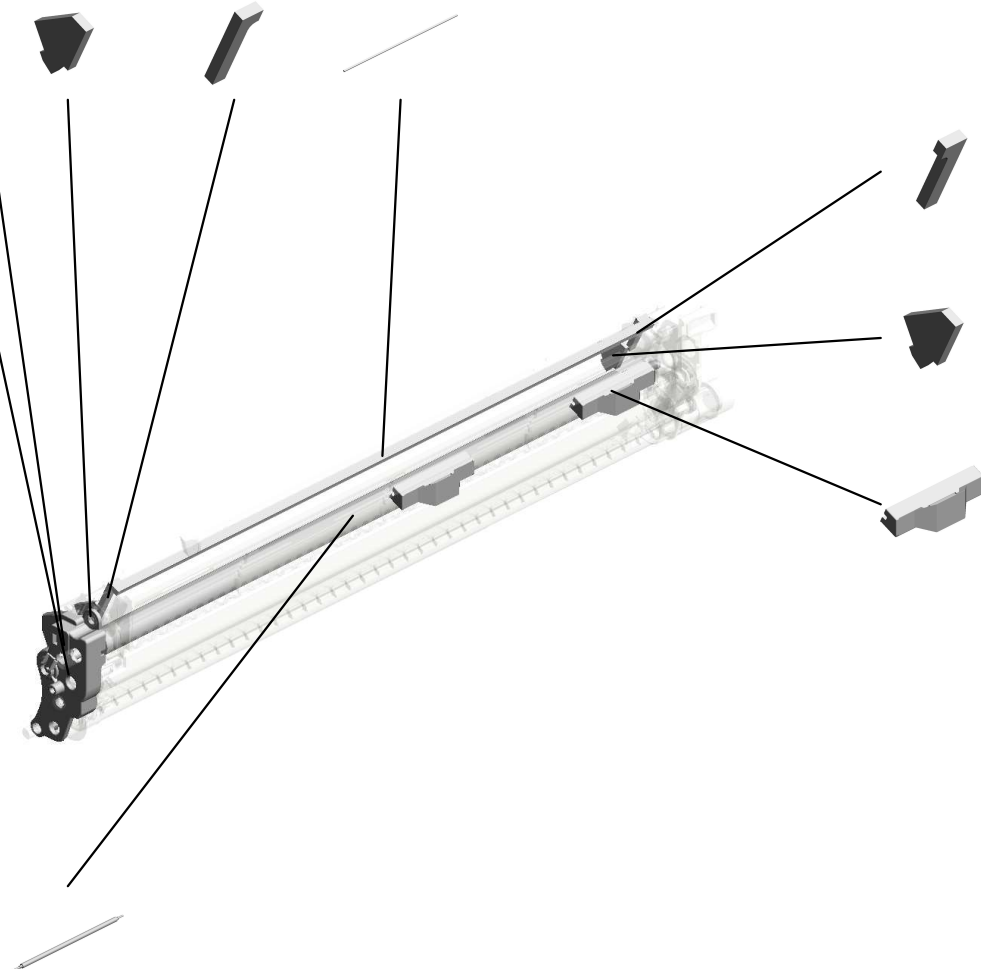


76.D0A52320
CLEANING UNIT:ASS'Y

105.D1942507
GROUND PLATE:OIL SUPPLY ROLLER:ASS'Y



104.D1942506
DRUM STAY:CLEANING UNIT



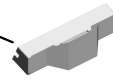
148.D1942442
SEAL:FRAME:COATING BAR:REAR SIDE



146.D1942440
SEAL:FRAME:APPLY:REAR SIDE



127.D0A52510
(x2)
CUSHION:CLEANING UNIT:ASS'Y



117.D2582402
OIL SUPPLY ROLLER:ASS'Y



U001	U002	U003	U004	U005	U006	U007	U008	U009	U010	U011	U012	U013	U014	U015	U016	U017	U018	U019	U020
------	------	------	------	------	------	------	------	------	------	------	------	------	------	------	------	------	------	------	------

U006_S045_S001
STAY:APPLY:ASS'Y

50.D0742477
(x2)
SHEET:STAY:APPL
Y

102.D1942475
STAY:APPLY:ASS'Y



5.03603006N
(x2)
SCREW - M3X6



U001	U002	U003	U004	U005	U006	U007	U008	U009	U010	U011	U012	U013	U014	U015	U016	U017	U018	U019	U020
------	------	------	------	------	-------------	------	------	------	------	------	------	------	------	------	------	------	------	------	------

U006_S045_S002
GEAR:CLEANING:DRUM:SERVICE

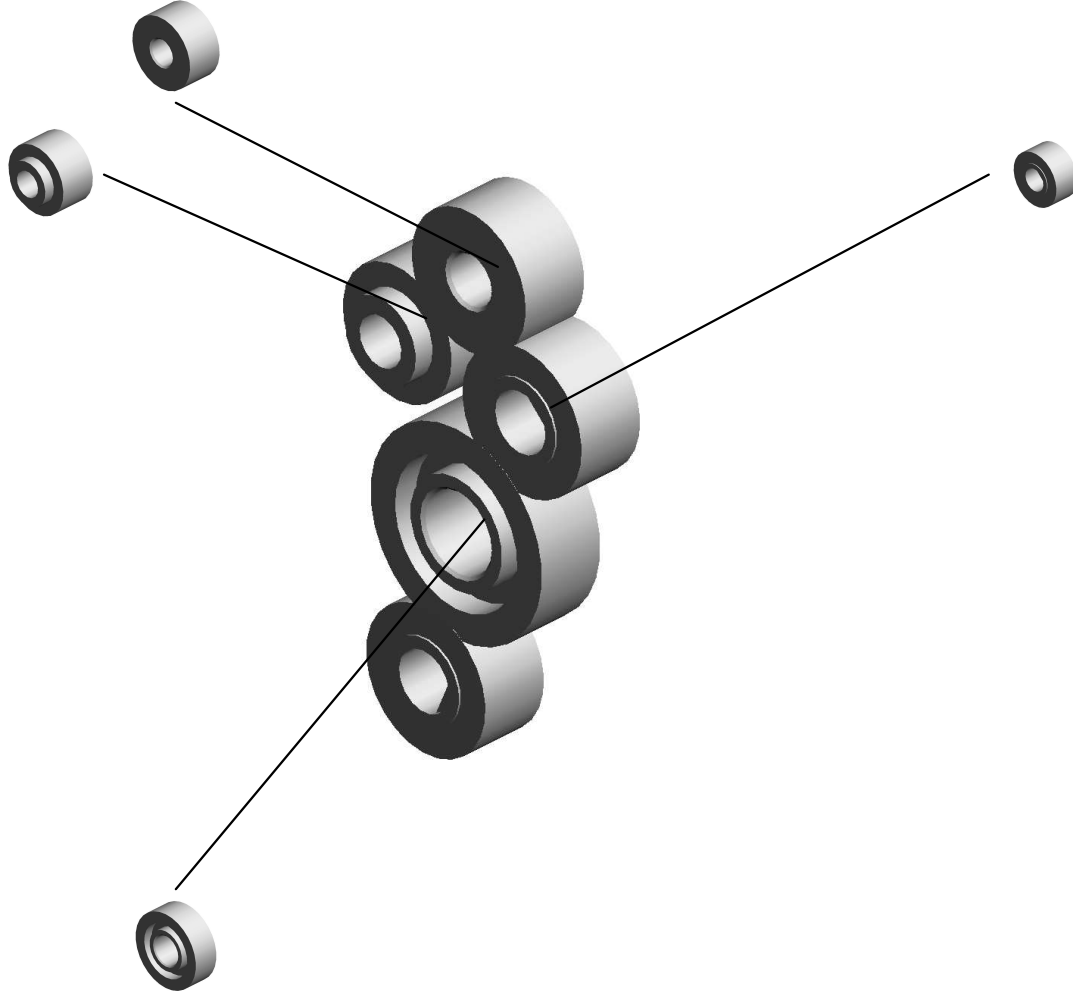
54.D0742502
GEAR:IDLER:20Z:L
EFT

101.D1942460
GEAR:19Z:RIGHT

53.D0742501
(x2)
GEAR:21Z:RIGHT

55.D0742503
GEAR:IDLER:31Z:L
EFT

119.D1942550
GEAR:CLEANING:
DRUM:SERVICE



U001	U002	U003	U004	U005	U006	U007	U008	U009	U010	U011	U012	U013	U014	U015	U016	U017	U018	U019	U020
------	------	------	------	------	-------------	------	------	------	------	------	------	------	------	------	------	------	------	------	------

U007.ITB UNIT

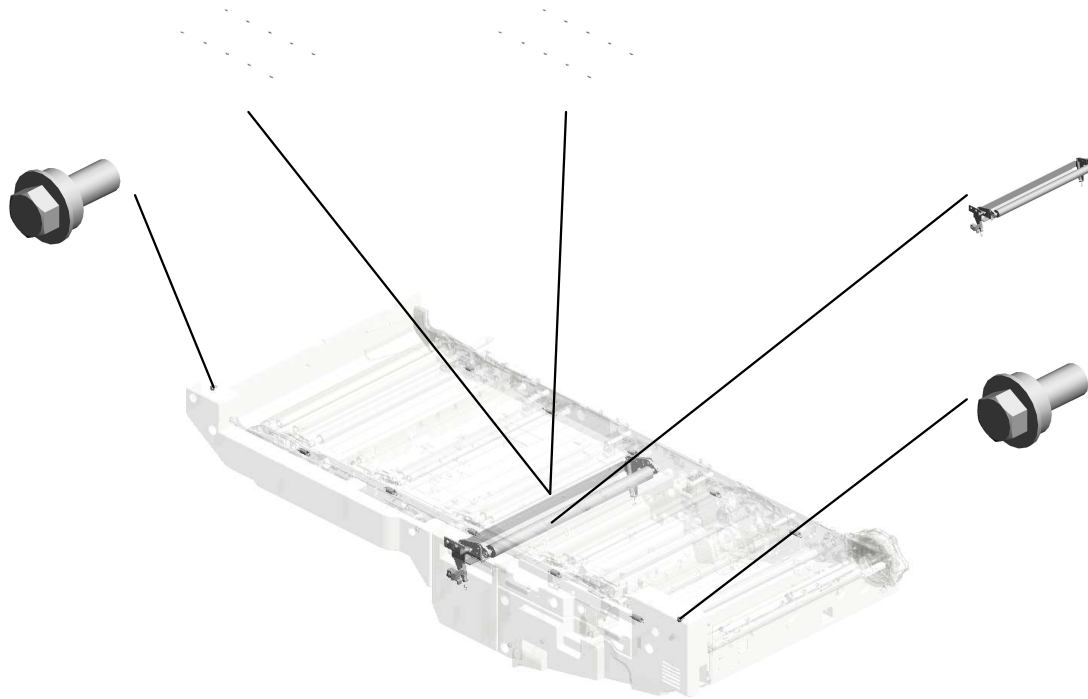
U007 S002
D0A56075
SERVICE PARTS:INTERMEDI
ATE TRANSFER:COIL SPRIN
G:SET:B

U007 S003
D0A56070
SERVICE PARTS:INTERMEDI
ATE TRANSFER:COIL SPRIN
G:SET:A

U007 S004
D1946236
HEXAGON HEAD SCREW:WA
SHER:M4X10:ASS'Y

U007 S001
D0743808
CASE:TENSION:ROLLER:ASS
'Y

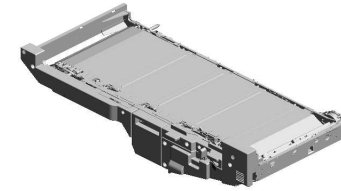
U007 S005
D1946236
HEXAGON HEAD SCREW:WA
SHER:M4X10:ASS'Y



U001	U002	U003	U004	U005	U006	U007	U008	U009	U010	U011	U012	U013	U014	U015	U016	U017	U018	U019	U020
------	------	------	------	------	------	------	------	------	------	------	------	------	------	------	------	------	------	------	------

U007 ITB UNIT

- 20.07403906 (x4) BALL BEARING - 6 X15X5
- 22.08050106 (x5) RETAINING RINGS- E:SILENCER:DIA6
- 12.04503010N (x5) TAPPING SCREW - M3X10
- 21.08046123 (x4) HEXAGONAL BOLT :W/WASHER:M3X8 202404-05 X/O
- 1.03530030N (x4) SCREW:M3X3



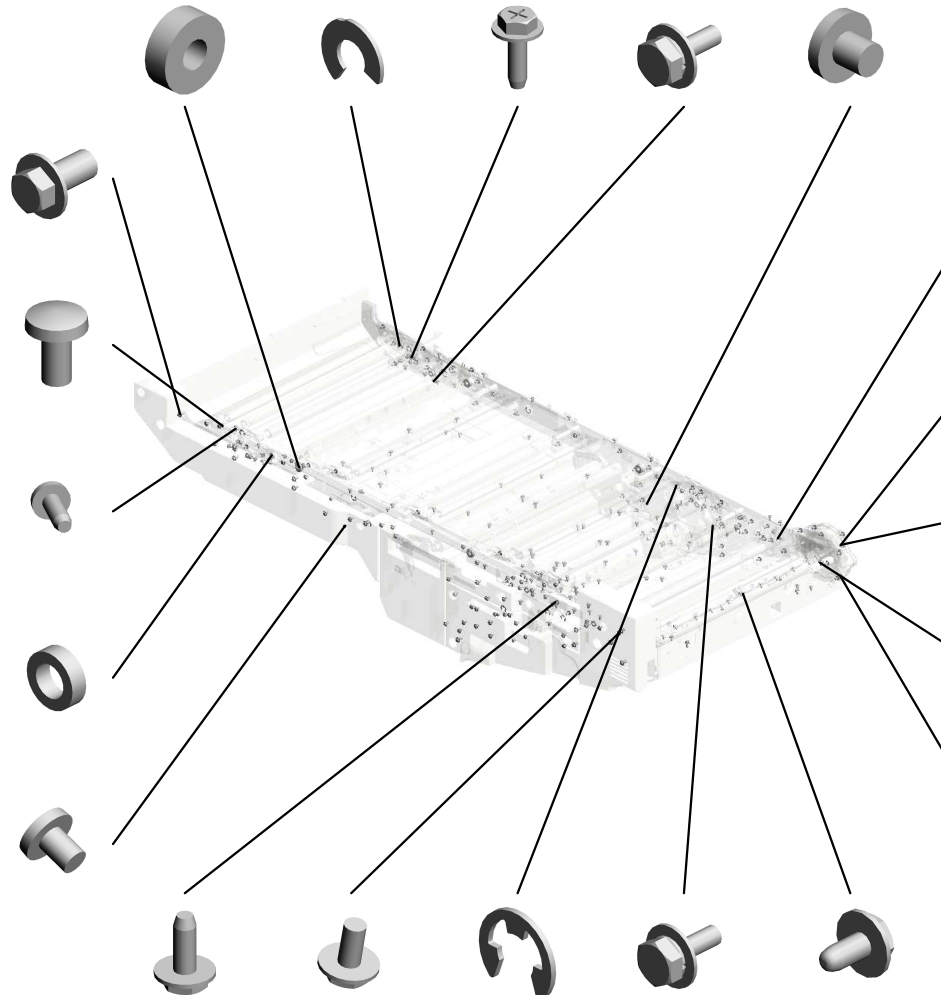
9.03604008N
(x18)
SCREW - M4X8

3.03530060N
(x30)
BIND SCREW - M3 X6

13.04523008N
TAPPING SCREW - M3X8

18.07403706
(x6)
BALL BEARING - M 6X10X3

2.03530040N
(x4)
SCREW - M3X4



11.04503008N
(x17)
TAPPING SCREW - M3X8

6.03603006N
(x163)
SCREW - M3X6

17.07200060E
(x18)
RETAINING RING - M6

21.08046123
(x5)
HEXAGONAL BOLT :W/WASHER:M3X8

14.04543006Q
(x14)
TAPPING SCREW - M3X6

7.03603008N
(x10)
SCREW:M3X8

15.07200030E
(x6)
RETAINING RING - M3

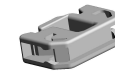
19.07403804
BALL BEARING:DIA 4XDIA9X4

5.03540060N
SCREW-M4X6

8.03604006N
(x3)
SCREW - M4X6



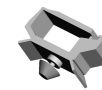
24.11050409
(x2)
CARD SPACER- 6.4 MM



25.11050692
CLAMP:LES-0503



28.11050758
(x28)
CLAMP:LWSM-030 6A



29.11050760
(x2)
CLAMP:LWSM-051 1A

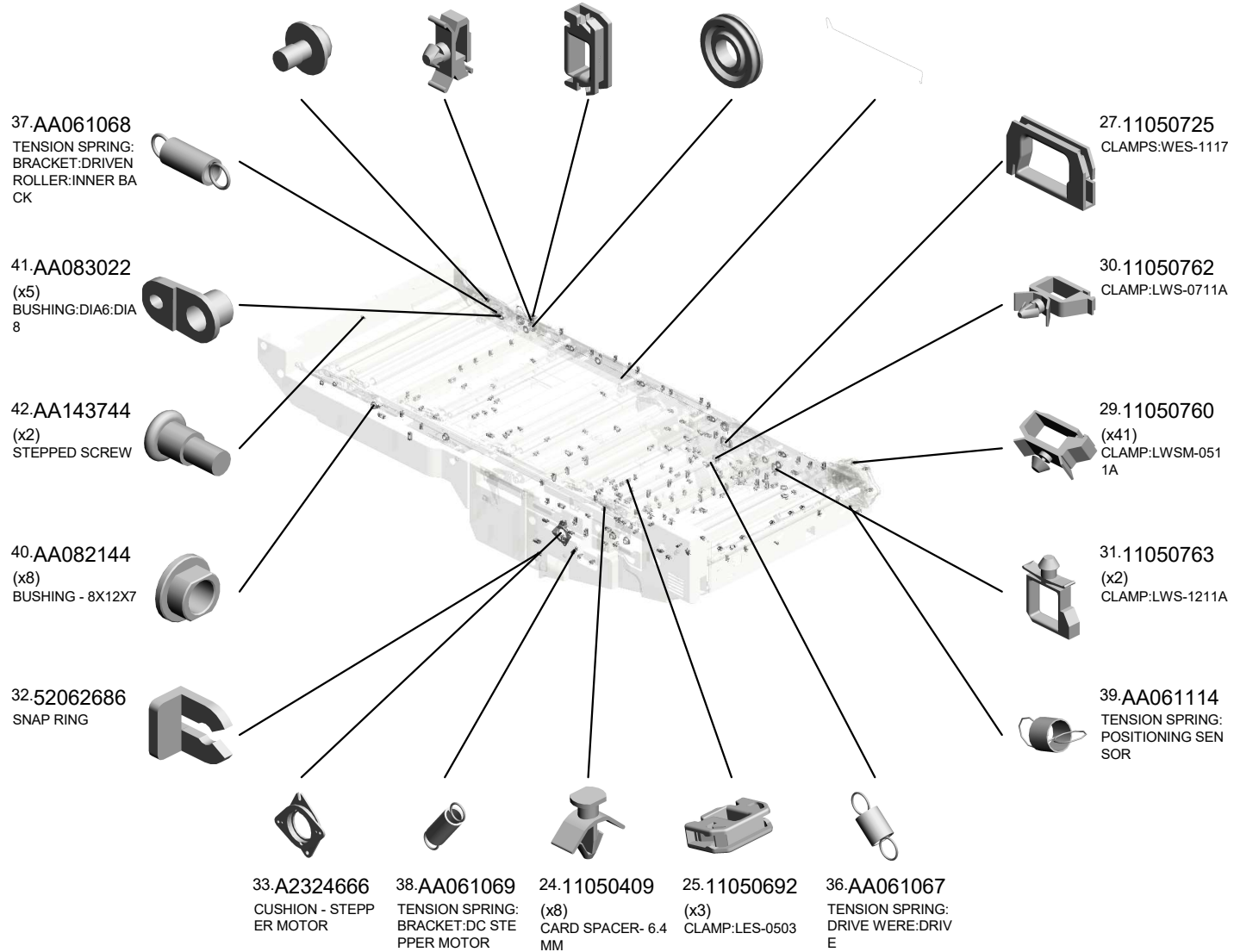
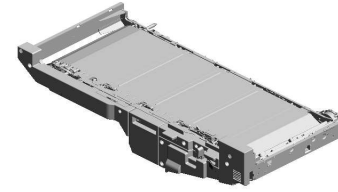


43.AA143822
(x2)
STEPPEDSCREW - M3.5

6.03603006N (x 3)
SCREW - M3X6
16.07200040E (x26)
RETAINING RING - M4

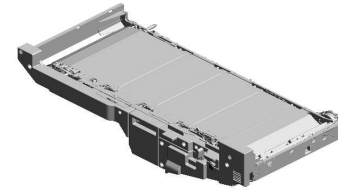
U007 ITB UNIT

23.09544008N (x3) SCREW - M4X8
 28.11050758 (x103) CLAMP:LWSM-0306A
 26.11050723 (x19) CLAMPS:WES-0507
 44.AB032072 (x3) PULLEY:DRIVEN:WIRE
 35.AA050116 DRIVE WERE:DRIVEN ROLLER



U001	U002	U003	U004	U005	U006	U007	U008	U009	U010	U011	U012	U013	U014	U015	U016	U017	U018	U019	U020
------	------	------	------	------	------	------	------	------	------	------	------	------	------	------	------	------	------	------	------

U007 ITB UNIT



- 61.D0743822 (x2) ROLLER:OPPOSED :BELT CLEANING:PRESS FIT
- 53.AZ310048 POWER PACK:TRANSFER:T3
- 48.AW500045 (x2) PUSH SWITCH
- 52.AZ300066 POWER PACK:T2
- 62.D0743824 (x3) PLATE:ROLLER:INTERMEDIATE TRANSFER

- 65.D0743831 PLATE:UPPER:POSITIONING SENSOR:INTERMEDIATE TRANSFER:ASSY

- 56.B2342390 (x3) FLANGED HEXAGONAL HEAD BOLT:M4X8

- 51.AZ300065 (x5) POWER PACK:T1

- 63.D0743829 (x3) DECAL:POSITIONING DISPLAY:TCRUNG

- 64.D0743830 DECAL:OPERATELEVER:INTERMEDIATE TRANSFER



- 66.D0743841 SEAL:RIGHT:INTERMEDIATE TRANSFER
- 54.B1326114 CAM:ON-OFF:BLACK
- 47.AW020219 (x2) PHOTOINTERRUPTOR:ACTUATOR:29.2MM
- 57.C2363237 (x4) COLLAR 6X11.2X1.5
- 46.AW020218 POSITIONING SENSOR:FLAT BELT-TRANSFER

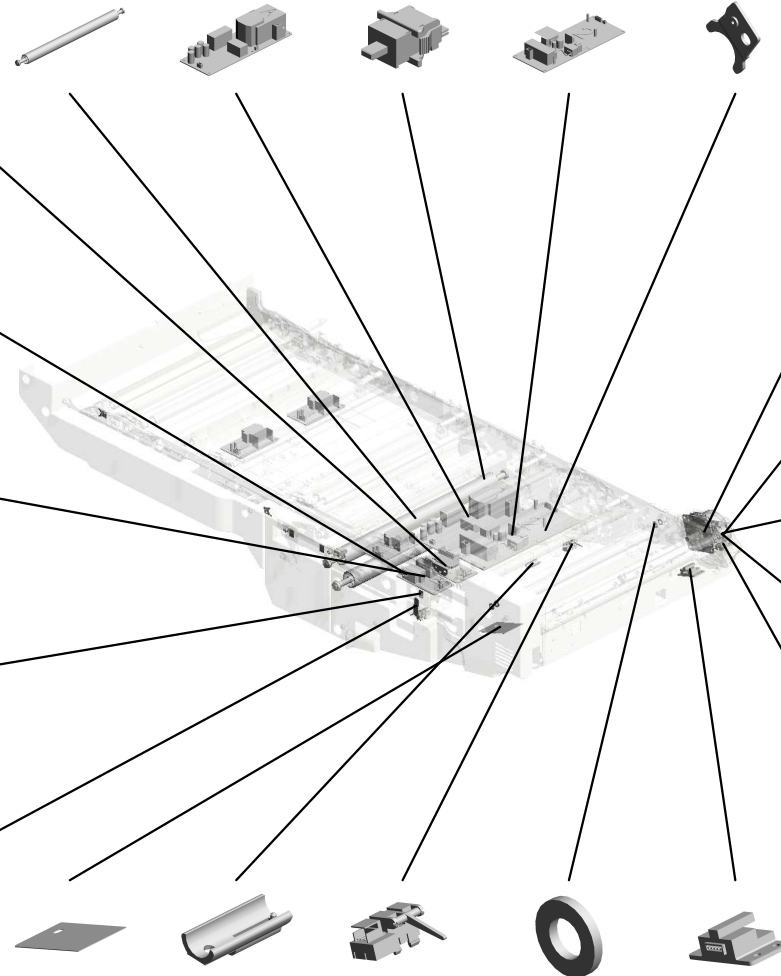
- 49.AX060458 DC MOTOR:DIA56:16.5W:BRUSHLESS

- 55.B2236171 RUBBER BUSHING:ENCODER

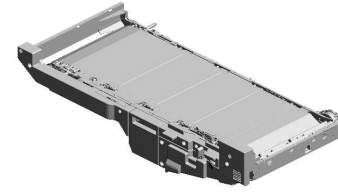
- 59.D0741382 SHAFT:DRIVE:INTERMEDIATE TRANSFER:ENCODER:ADHESION

- 58.D0741369 COVER:ENCODER

- 45.AW020217 (x2) OPTICS SENSOR:ENCODER:300LPI



U007
ITB UNIT



- 75.D0743878 HOLDER:RADIAL BALL BEARING:DRIVEN ROLLER:INNER BACK
- 74.D0743874 BRACKET:POSITIONING CONTROL:DRIVEN ROLLER:INNER BACK:ASS'Y
- 73.D0743873 FEELER:DRIVE WERE
- 83.D0746092 (x2) BRACKET:HEATER:INTERMEDIATE TRANSFER
- 84.D0746097 THERMOSTAT:INTERMEDIATE TRANSFER

- 80.D0746066 (x2) ROLLER:DRIVEN:INTERMEDIATE TRANSFER:NO.2:ASS'Y

- 82.D0746075 (x2) GRIP:INTERMEDIATE TRANSFER:LEFT

- 68.D0743845 (x2) FLAT NUT:INNER COVER:INTERMEDIATE TRANSFER

- 85.D0746109 (x2) PLATE:BLADE:BELT CLEANING

- 69.D0743846 INNER COVER:BELT CLEANING

- 86.D0746121 BRACKET:SENSOR:ON-OFF:TRANSFER ROLLER
- 76.D0743887 BRACKET:ON-OFF:TRANSFER ROLLER
- 67.D0743842 COVER:HARNESS:SECOND:INTERMEDIATE TRANSFER
- 79.D0743899 (x2) LEVER:POSITIONING SENSOR:SLACK PREVENTION
- 81.D0746074 TENSION SPRING:SLEEVE:WIRE:INTERMEDIATE TRANSFER

- 71.D0743871 STOPPER:WIRE:PULLEY

- 72.D0743872 PULLEY:DRIVE WERE:ASS'Y

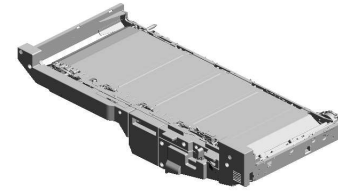
- 70.D0743853 PLATE:FRAME:INTERMEDIATE TRANSFER

- 77.D0743892 LEVER:POSITIONING SENSOR:FLAT BELT-TRANSFER

- 78.D0743896 COVER:POSITIONING SENSOR:FLAT BELT-TRANSFER

U001	U002	U003	U004	U005	U006	U007	U008	U009	U010	U011	U012	U013	U014	U015	U016	U017	U018	U019	U020
------	------	------	------	------	------	------	------	------	------	------	------	------	------	------	------	------	------	------	------

U007 ITB UNIT



- 103.D0746165 (x2) PULLEY:ON-OFF:BELT TENSIONER
- 108.D0746172 (x2) COLLAR:ON-OFF:INTERMEDIATE TRANSFER
- 105.D0746169 ROLLER:FRONT:INTERMEDIATE TRANSFER:LEFT
- 99.D0746161 (x5) COVER:BIAS:INTERMEDIATE TRANSFER
- 96.D0746149 (x4) CAM:INTERMEDIATE TRANSFER:COLLAR

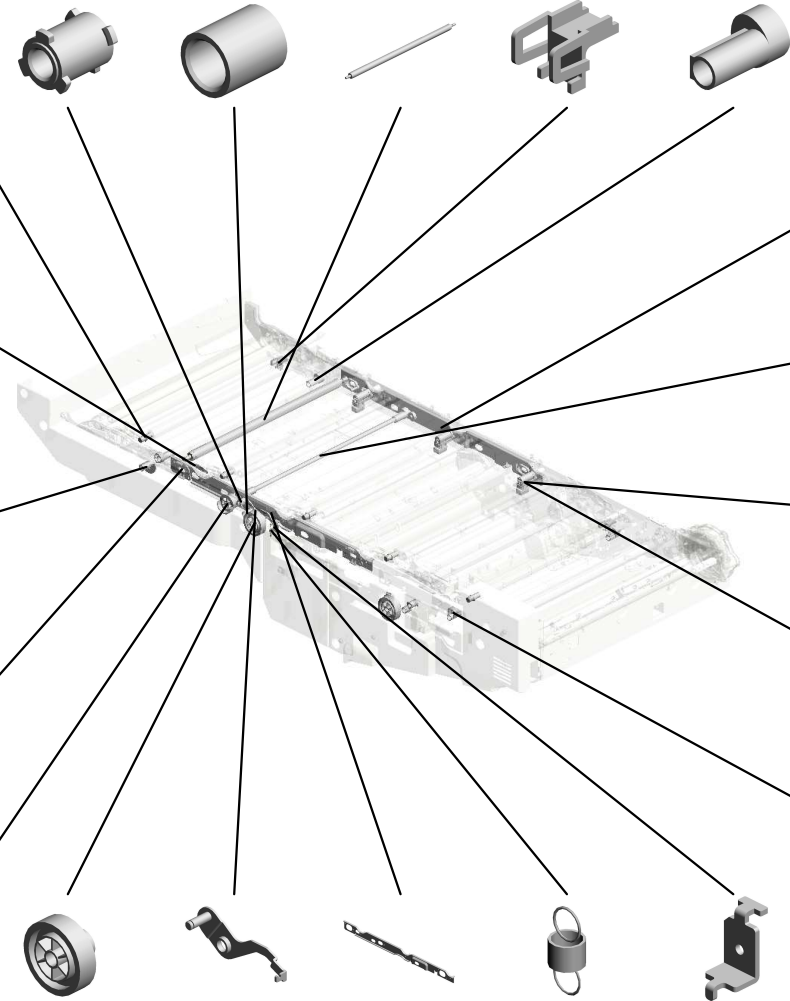
89.D0746134 (x5) PLAIN SHAFT BEARING:INSULATE

88.D0746130 SPRING PLATE:EARLY:INTERMEDIATE TRANSFER:ASSY

87.D0746125 FEELER:ON-OFF:INTERMEDIATE TRANSFER:BLACK

109.D0746175 (x4) PLAIN SHAFT BEARING:SLIDE RAIL:ON-OFF

100.D0746162 TIMING PULLEY:CAM:ON-OFF:INTERMEDIATE TRANSFER



98.D0746155 SLIDE RAIL:ON-OFF:INTERMEDIATE TRANSFER:REAR:ASSY

95.D0746148 SHAFT:CAM:INTERMEDIATE TRANSFER:COLLAR

94.D0746147 (x3) TERMINAL:INTERMEDIATE TRANSFER

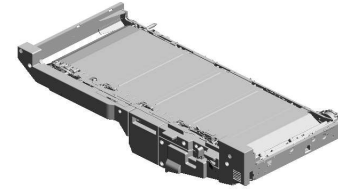
93.D0746146 (x3) BRACKET:BIAS:INTERMEDIATE TRANSFER

90.D0746142 (x2) CAM:INTERMEDIATE TRANSFER:BLACK

- 101.D0746163 (x2) GEAR:TIMING PULLEY:IDLER:INTERMEDIATE TRANSFER
- 104.D0746168 TIGHTENER:INTERMEDIATE TRANSFER:ASSY
- 97.D0746153 SLIDE RAIL:ON-OFF:INTERMEDIATE TRANSFER:FRONT:ASSY
- 106.D0746170 (x2) COIL SPRING:PRESSURE:TIGHTENER
- 107.D0746171 (x2) GUIDE PLATE:COIL SPRING:PRESSURE:TIGHTENER

U001	U002	U003	U004	U005	U006	U007	U008	U009	U010	U011	U012	U013	U014	U015	U016	U017	U018	U019	U020
------	------	------	------	------	------	------	------	------	------	------	------	------	------	------	------	------	------	------	------

U007
ITB UNIT



- 111.D0746180 (x5) COMPRESSION SPRING:BIAS:INTERMEDIATE TRANSFER
- 112.D0746197 (x5) TERMINAL:CONNECTING:BIAS:INTERMEDIATE TRANSFER
- 124.D0A56141 EXCHANGE PLATE:ON-OFF:NO.5:REAR:PEEN
- 130.D0A56243 (x2) COVER:INTERMEDIATE TRANSFER:NO.1
- 127.D0A56157 (x3) ROLLER:FIRST:TRANSFER:REAR:PRESS FIT

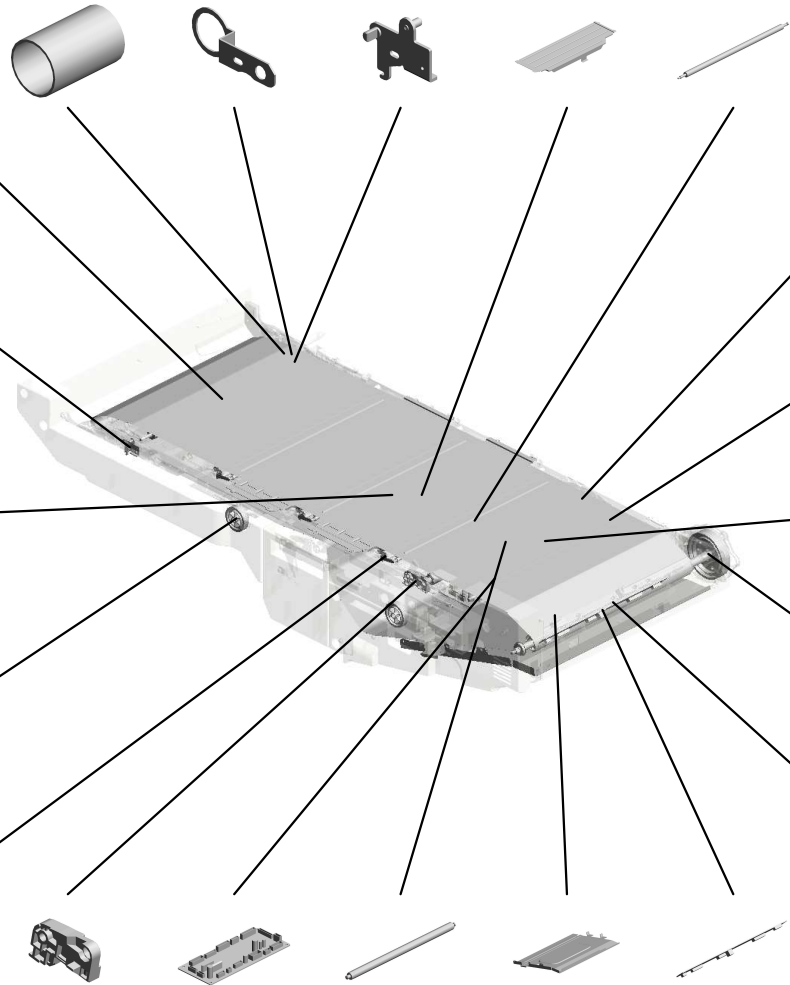
129.D0A56212 (x5) ROLLER:INTERMEDIATE TRANSFER:17.5MM:ASSY

125.D0A56142 EXCHANGE PLATE:ON-OFF:NO.5:FRONT:PEEN

119.D0A56050 FLAT BELT-TRANSFER:ASSY

110.D0746179 (x2) GEAR:IDLER:INTERMEDIATE TRANSFER:Z17:Z53

126.D0A56155 (x3) SPRING PLATE:EARLY:BACK UP:INTERMEDIATE TRANSFER:ASSY



121.D0A56066 PLATE:ROLLER:DRIVEN:BLACK

122.D0A56114 (x2) TENSION SPRING:ON-OFF:SCALE:BRACKET:INNER

114.D0A51463 DC STEPPER MOTOR:MM42

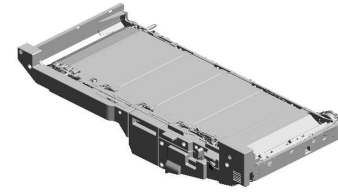
115.D0A51467 GEAR:DRIVE:130Z

116.D0A51470 DRIVE ROLLER:INTERMEDIATE TRANSFER:ASSY

- 120.D0A56061 LEVER:ON-OFF:BLACK:LEFT:FRONT
- 117.D0A55446 PCB:TDRB
- 123.D0A56125 ROLLER:FRONT:INTERMEDIATE TRANSFER:PRESS FIT
- 128.D0A56187 COVER:INTERMEDIATE TRANSFER:ASSY
- 118.D0A55487 PCB:PRB

U001	U002	U003	U004	U005	U006	U007	U008	U009	U010	U011	U012	U013	U014	U015	U016	U017	U018	U019	U020
------	------	------	------	------	------	------	------	------	------	------	------	------	------	------	------	------	------	------	------

U007
ITB UNIT



- 145.D1941483 BRACKET:DRIVE WERE:TENSION SPRING
- 148.D1941634 COIL SPRING:JOINT:INTERMEDIATE TRANSFER:ON-OFF:5ST
- 149.D1943847 INNER COVER:INTERMEDIATE TRANSFER:PCU
- 151.D1943861 INNER COVER:INTERMEDIATE TRANSFER:RIGHT
- 131.D0A56244 COVER:INTERMEDIATE TRANSFER:N O.2

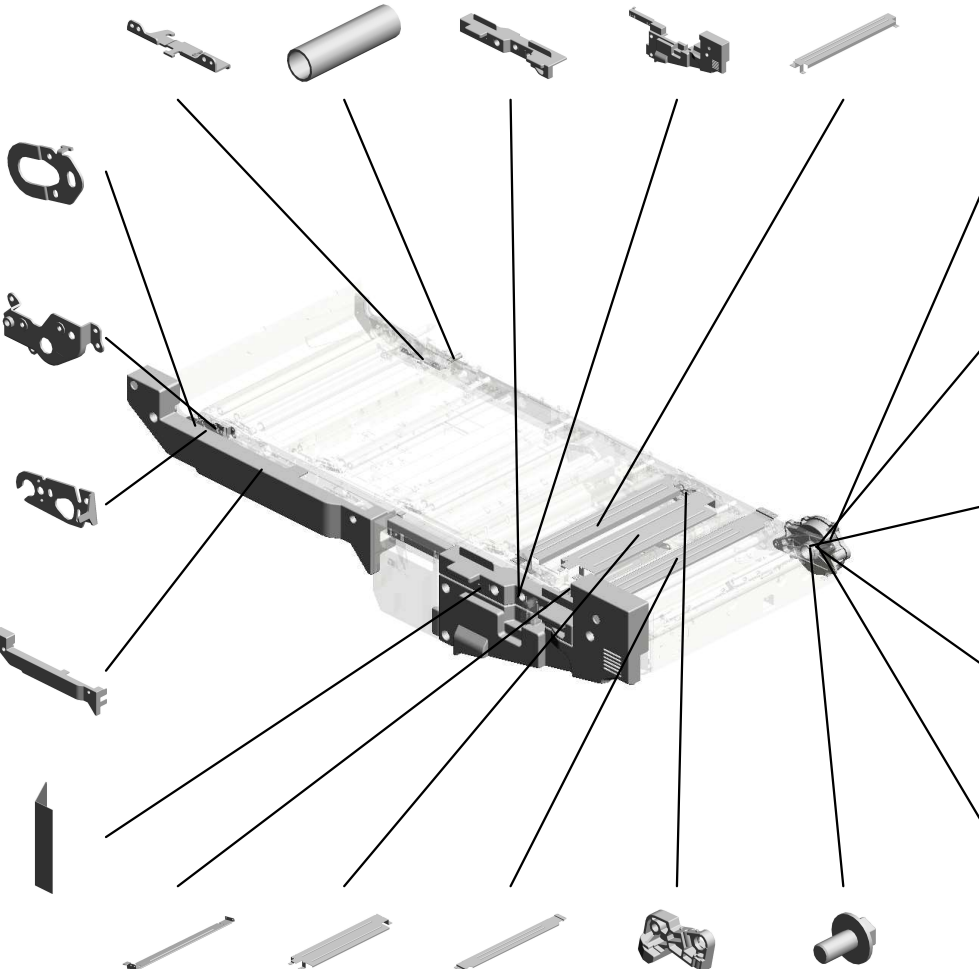
143.D1941481 STOPPER:DRIVEN ROLLER:FRONT LEFT

144.D1941482 BRACKET:DRIVEN ROLLER:FRONT

142.D1941480 HOLDER:DRIVEN ROLLER:FRONT

150.D1943860 INNER COVER:INTERMEDIATE TRANSFER:LEFT

137.D1366499 SHEET:GUIDE:BELT CLEANING



146.D1941496 ENCODER:ASS'Y

141.D1941466 DRUM STAY:DC MOTOR:DRIVE:PRESS FIT

138.D1941460 HOUSING:DRIVE:INTERMEDIATE TRANSFER:2

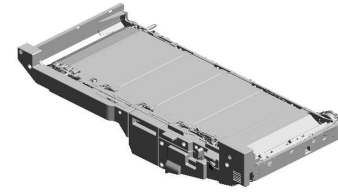
139.D1941461 BOSS:INTERMEDIATE TRANSFER:GEAR

147.D1941499 SEAL:PREVENTFENCE:8X395X3

- 134.D0A56260 GUIDE:TRANSPORT:INTERMEDIATE TRANSFER:ASS'Y
- 153.D1946012 COVER:INTERMEDIATE TRANSFER:BACK:1
- 152.D1946011 COVER:INTERMEDIATE TRANSFER:BACK
- 136.D0A56412 LEVER:ON-OFF:BACK:LEFT:REAR
- 140.D1941462 (x5) HEXAGON HEAD BOLT:DOUBLE SCREW:M4X10

U001	U002	U003	U004	U005	U006	U007	U008	U009	U010	U011	U012	U013	U014	U015	U016	U017	U018	U019	U020
------	------	------	------	------	------	------	------	------	------	------	------	------	------	------	------	------	------	------	------

U007
ITB UNIT



- 173.D1946144 BRACKET:ROLLER:DRIVEN:NO.5:FRO
NT
- 154.D1946031 (x2) TENSION SPRING:
ROLLER:DRIVEN:N
O.5:RIGHT
- 165.D1946091 (x2) PLAIN SHAFT BEA
RING:SHAFT:ON-O
FF:NO.5:RIGHT
- 158.D1946052 ROLLER:DRIVEN:I
NTERMEDIATE TR
ANSFER:NO.5
- 160.D1946058 COLLAR:ROLLER:D
RIVEN:INTERMEDI
ATE TRANSFER:N
O.5

- 155.D1946032 (x2) TENSION SPRING:
ROLLER:DRIVEN:N
O.5:LEFT

- 159.D1946055 (x2) PLAIN SHAFT BEA
RING:SHAFT:ON-O
FF:NO.5:LEFT

- 172.D1946142 BRACKET:PLAIN S
HAFT BEARING:ON
-OFF:NO.5:FRONT

- 166.D1946092 (x2) SHAFT:SLIDE:ON-
OFF:INTERMEDIAT
E TRANSFER:NO.5

- 156.D1946033 (x2) TENSION SPRING:
SLIDER:SHAFT:NO.
5

- 169.D1946103 BRACKET:MOTOR:
ON-OFF:INTERME
DIATE TRANSFER

- 163.D1946089 SHAFT:ON-OFF:DR
IVE:NO.5:INTERME
DIATE TRANSFER

- 170.D1946112 COVER:INTERMED
IATE TRANSFER:N
O.4

- 161.D1946073 (x4) PLAIN SHAFT BEA
RING:SLIDER:ON-O
FF:BLACK

- 168.D1946099 HOOK:LEVER:ON-
OFF:BLACK:FRON
T

- 162.D1946088 BRACKET:ROLLER:
DRIVEN:NO.5:REA
R

- 157.D1946051 BRACKET:PLAIN S
HAFT BEARING:ON
-OFF:NO.5:REAR

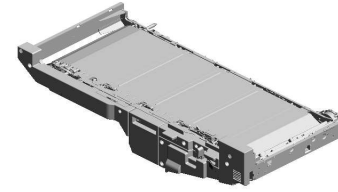
- 167.D1946098 HOOK:LEVER:ON-
OFF:BLACK:REAR

- 164.D1946090 SHAFT:CAM:INTER
MEDIATE TRANSF
ER:BLACK

- 171.D1946125 ROLLER:FRONT:IN
TERMEDIATE TRA
NSFER:RIGHT

U001	U002	U003	U004	U005	U006	U007	U008	U009	U010	U011	U012	U013	U014	U015	U016	U017	U018	U019	U020
------	------	------	------	------	------	------	------	------	------	------	------	------	------	------	------	------	------	------	------

U007
ITB UNIT



- 188.D1946428 (x2) TERMINAL:INTERMEDIATE TRANSFER:5ST
- 192.D1946442 SLIDER:ON-OFF:NO.5:REAR
- 182.D1946191 JOINT:INTERMEDIATE TRANSFER:ON-OFF:5ST
- 195.D1946453 BRACKET:ROLLER:TRANSFER:LEFT REAR:ASS'Y
- 183.D1946207 (x3) SHEET:GREASE:HOLDER:TRANSFER ROLLER

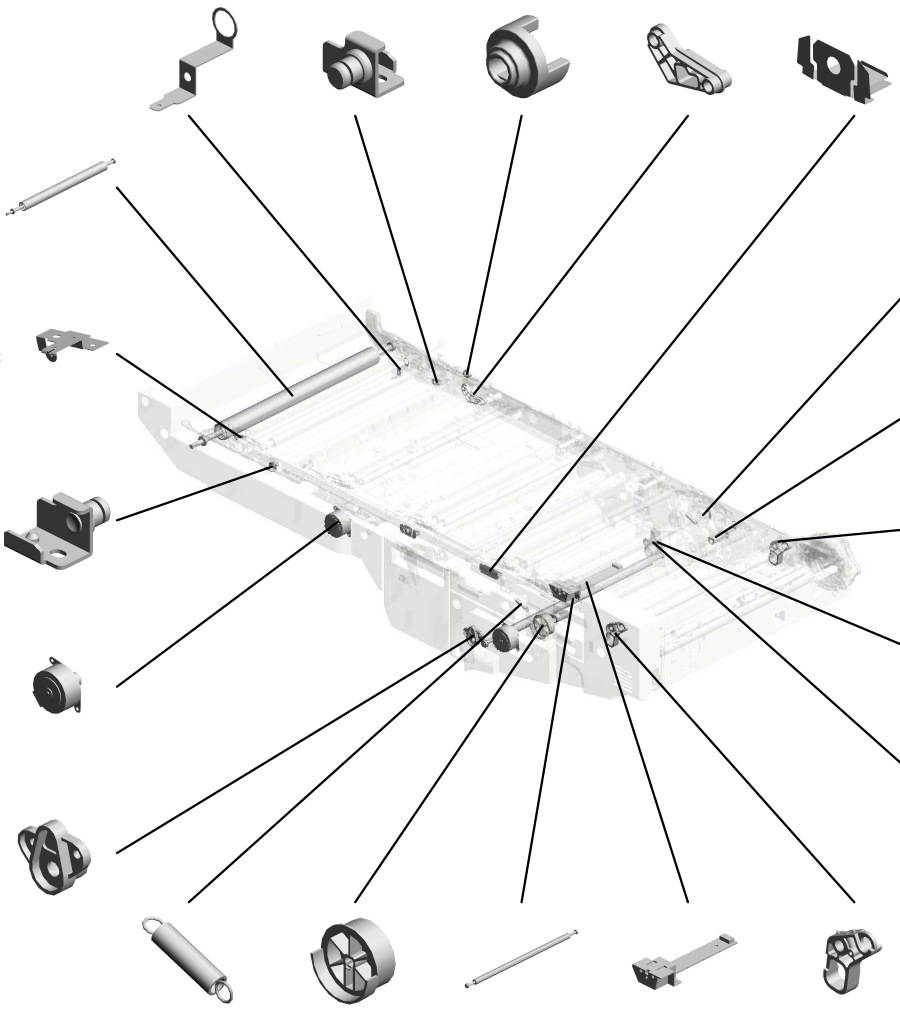
184.D1946228
ROLLER:POSITIONING CONTROL:BELT

177.D1946160
SPRING PLATE:EA RTH:ROLLER:NO.5:ASS'Y

193.D1946444
SLIDER:ON-OFF:NO.5:FRONT

179.D1946177
(x2)
DC STEPPER MOTOR:DIA42:24V

189.D1946436
CASE:OPPOSED:TRANSFER ROLLER:FRONT



186.D1946396
GROUND PLATE:ROLLER:DRIVEN:LEFT

178.D1946176
(x2)
CAM:ON-OFF:BLACK:AUTOMATIC

180.D1946182
PLATE:ROLLER:DRIVEN:BLACK:RIGHT

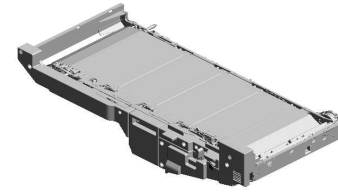
174.D1946147
SPRING PLATE:ELECTRODE:OPPOSED:TRANSFER ROLLER

190.D1946439
CASE:OPPOSED:TRANSFER ROLLER:REAR

- 194.D1946449 (x2) TENSION SPRING:PLATE:INTERMEDIATE TRANSFER
- 176.D1946154 TIMING PULLEY:CAM:ON-OFF:INTERMEDIATE TRANSFER:BLACK
- 191.D1946440 ROLLER:TRANSFER:FRONT
- 187.D1946420 POSITIONING SENSOR:SCALE:INTERMEDIATE TRANSFER:ASS'Y
- 181.D1946183 (x2) LEVER:ON-OFF:BLACK:RIGHT

U001	U002	U003	U004	U005	U006	U007	U008	U009	U010	U011	U012	U013	U014	U015	U016	U017	U018	U019	U020
------	------	------	------	------	------	------	------	------	------	------	------	------	------	------	------	------	------	------	------

U007
ITB UNIT



- 206.G0143291 (x9) SNAP RING - PICK UP
- 214.GW020022 (x5) PHOTOINTERRUPTOR:LG2A24BL1
- 199.D1946459 (x2) TENSION SPRING:ON-OFF:BLACK:LEFT
- 202.D1946475 GRIP:ON-OFF:INTERMEDIATE TRANSFER
- 215.D1946231**
ROLLER:OPPOSE
D:TRANSFER:PAPER:ASSY
201804-01 X/O

- 218.D0A56071 (x2) TENSION SPRING:PRESSURE:INTERMEDIATE TRANSFER:8N:RED
201904-02 X/O

- 196.D1946454 BRACKET:ROLLER:TRANSFER:LEFT FRONT:ASSY

- 204.D2583868 DC STEPPER MOTOR:MM42:1.0A:3.60V

- 200.D1946467 TIGHTENER:INTERMEDIATE TRANSFER:ASSY

- 197.D1946455 BRACKET:MOTOR:ON-OFF:INTERMEDIATE TRANSFER:BLACK

- 201.D1946473 (x2) TENSION SPRING:SLIDER:ON-OFF:BLACK
- 205.D6882142 (x2) PLAIN SHAFT BEARING:6X8X10
- 198.D1946457 SHAFT:CAM:INTERMEDIATE TRANSFER:BLACK:2
- 211.G1786393 SLEEVE:WIRE:LOWER:COVER
- 212.G1786394 WIRE:STOPPER:LOWER:COVER

- 203.D1946499 GROUND PLATE:ROLLER:DRIVEN:RIGHT

- 207.G1073834 (x4) RIVET - 2.0

- 209.G1786352 GUIDE PLATE:ENCODER

- 213.GW010009 (x5) DENSITY SENSOR

- 210.G1786392 HOUSING:LOWER:COVER

U001	U002	U003	U004	U005	U006	U007	U008	U009	U010	U011	U012	U013	U014	U015	U016	U017	U018	U019	U020
------	------	------	------	------	------	------	------	------	------	------	------	------	------	------	------	------	------	------	------

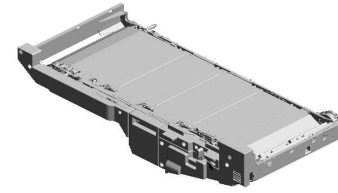
U007 ITB UNIT

228.AA043995 SYNCHRONOUS B
ELT:80S2M206
202011-01 O/O

226.D0A56045 (x2)
BRACKET:INTERM
EDIATE TRANSFER
:REAR
202009-03 X/O

235.AX400275 (x2)
HEATER:230V:9W
202210-01 O/O

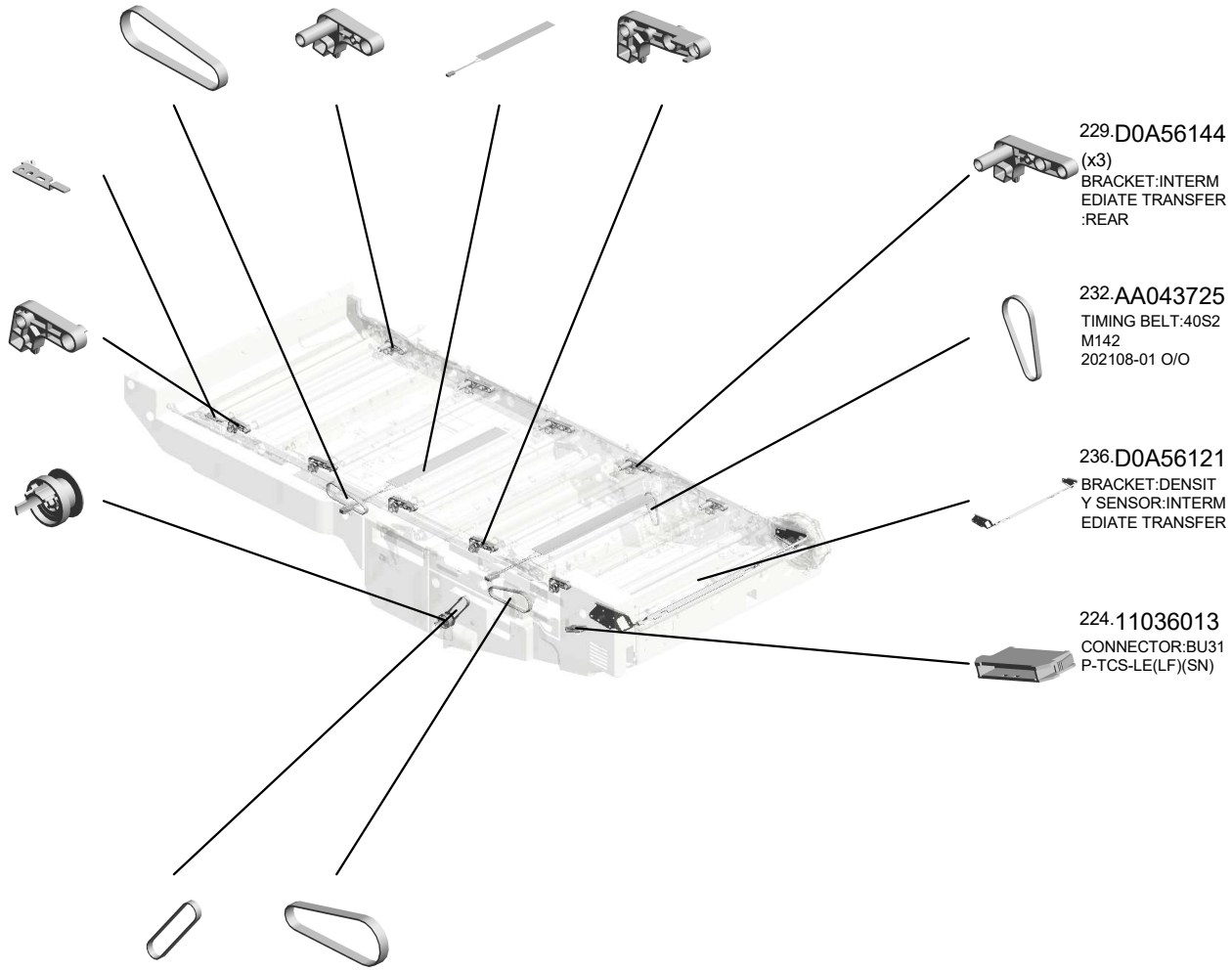
230.D0A56147 (x3)
BRACKET:INTERM
EDIATE TRANSFER
:FRONT



231.D1946054
BRACKET:TENSIO
N SPRING:ROLLER
:NO.5:FRONT

225.D0A56044 (x2)
BRACKET:INTERM
EDIATE TRANSFER
:FRONT
202009-02 X/O

223.D0A56257
PULLEY:ON-OFF:S
2M:27T:MELTING A
DHESION
201907-09 X/O



229.D0A56144 (x3)
BRACKET:INTERM
EDIATE TRANSFER
:REAR

232.AA043725
TIMING BELT:40S2
M142
202108-01 O/O

236.D0A56121
BRACKET:DENSIT
Y SENSOR:INTERM
EDIATE TRANSFER

224.11036013
CONNECTOR:BU31
P-TCS-LE(LF)(SN)

234.AA043998 SYNCHRONOUS B
ELT:60S2M190
202201-01 O/O

227.AA043996 SYNCHRONOUS B
ELT:80S2M224
202010-01 O/O

U001	U002	U003	U004	U005	U006	U007	U008	U009	U010	U011	U012	U013	U014	U015	U016	U017	U018	U019	U020
------	------	------	------	------	------	------	------	------	------	------	------	------	------	------	------	------	------	------	------

U007_S001
CASE:TENSION:ROLLER:ASS'Y

113.D0746397 237.D0746379
(x2) ROLLER:TENSION:
COIL SPRING:TEN ASS'Y
SION:ROLLER



60.D0743808
CASE:TENSION:RO
LLER:ASS'Y

6.03603006N
SCREW - M3X6



4.03530080N
SCREW:M3X8



222.D0743819
PLATE:ROLLER:TE
NSION



16.07200040E
(x2)
RETAINING RING -
M4



U001	U002	U003	U004	U005	U006	U007	U008	U009	U010	U011	U012	U013	U014	U015	U016	U017	U018	U019	U020
------	------	------	------	------	------	------	------	------	------	------	------	------	------	------	------	------	------	------	------

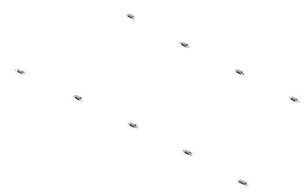
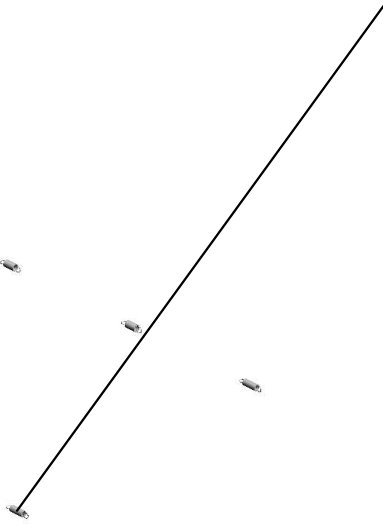
U007_S002

SERVICE PARTS:INTERMEDIATE TRANSFER:COIL SPRING:SET:B

216.D0A56242
(x6)
TENSION SPRING:
PRESSURE:INTER
MEDIATE TRANSF
ER:17N



221.D0A56081
(x4)
TENSION SPRING:
PRESSURE:INTER
MEDIATE TRANSF
ER:12.5N:BLUE



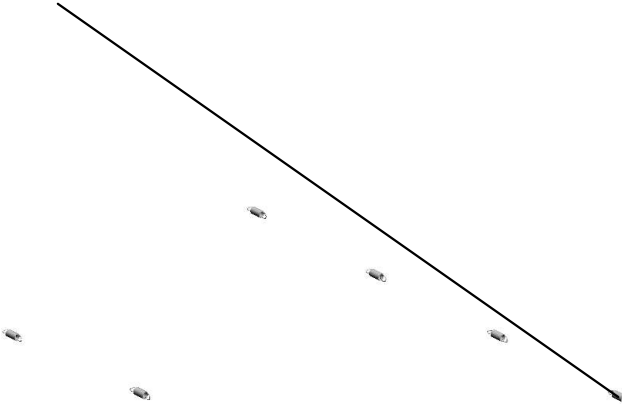
220.D0A56075
SERVICE PARTS:IN
TERMEDIATE TRA
NSFER:COIL SPRI
NG:SET:B

U001	U002	U003	U004	U005	U006	U007	U008	U009	U010	U011	U012	U013	U014	U015	U016	U017	U018	U019	U020
------	------	------	------	------	------	------	------	------	------	------	------	------	------	------	------	------	------	------	------

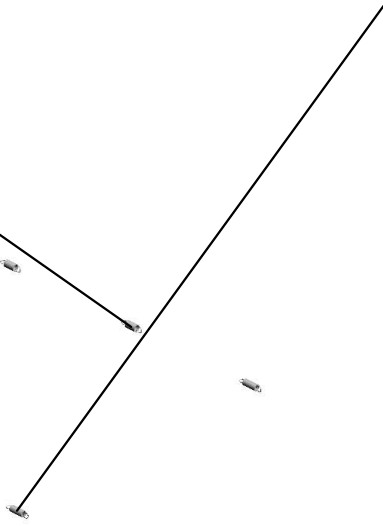
U007_S003

SERVICE PARTS:INTERMEDIATE TRANSFER:COIL SPRING:SET:A

219.D0A56072
(x6)
TENSION SPRING:
PRESSURE:INTER
MEDIATE TRANSF
ER:13N:GREEN



218.D0A56071
(x4)
TENSION SPRING:
PRESSURE:INTER
MEDIATE TRANSF
ER:8N:RED

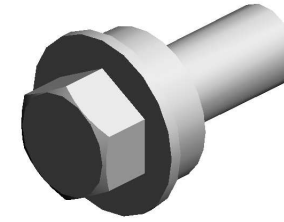


217.D0A56070
SERVICE PARTS:IN
TERMEDIATE TRA
NSFER:COIL SPRI
NG:SET:A

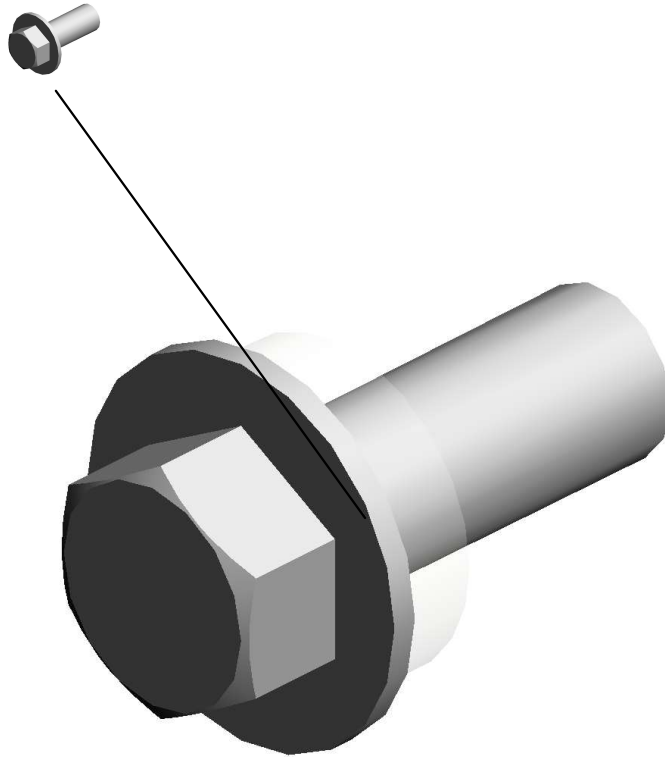
U001	U002	U003	U004	U005	U006	U007	U008	U009	U010	U011	U012	U013	U014	U015	U016	U017	U018	U019	U020
------	------	------	------	------	------	------	------	------	------	------	------	------	------	------	------	------	------	------	------

U007_S004
HEXAGON HEAD SCREW:WASHER:M4X10:ASS'Y

10.03604010N
SCREW:M4X10



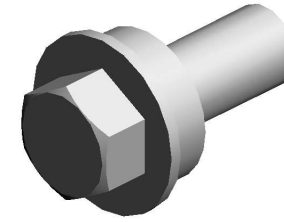
185.D1946236
HEXAGON HEAD S
CREW:WASHER:M
4X10:ASS'Y



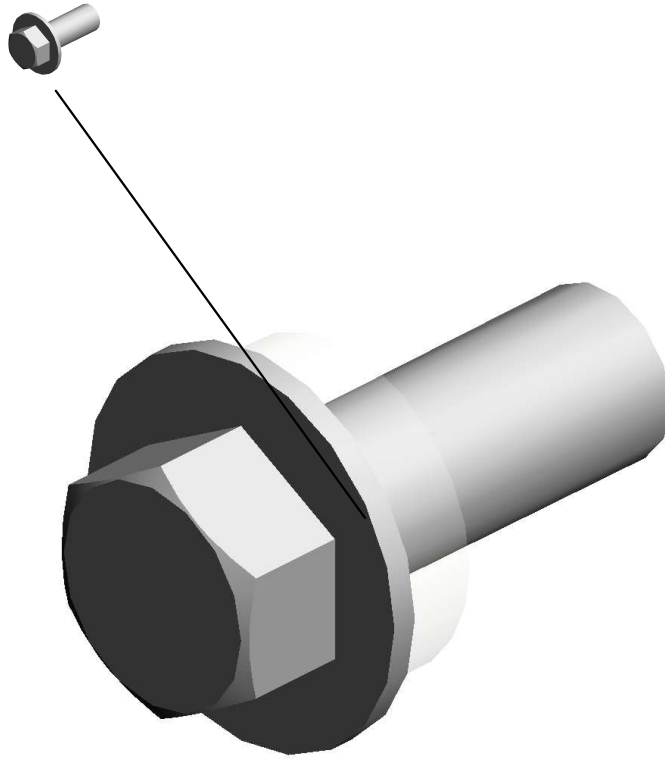
U001	U002	U003	U004	U005	U006	U007	U008	U009	U010	U011	U012	U013	U014	U015	U016	U017	U018	U019	U020
------	------	------	------	------	------	------	------	------	------	------	------	------	------	------	------	------	------	------	------

U007_S005
HEXAGON HEAD SCREW:WASHER:M4X10:ASS'Y

10.03604010N
SCREW:M4X10



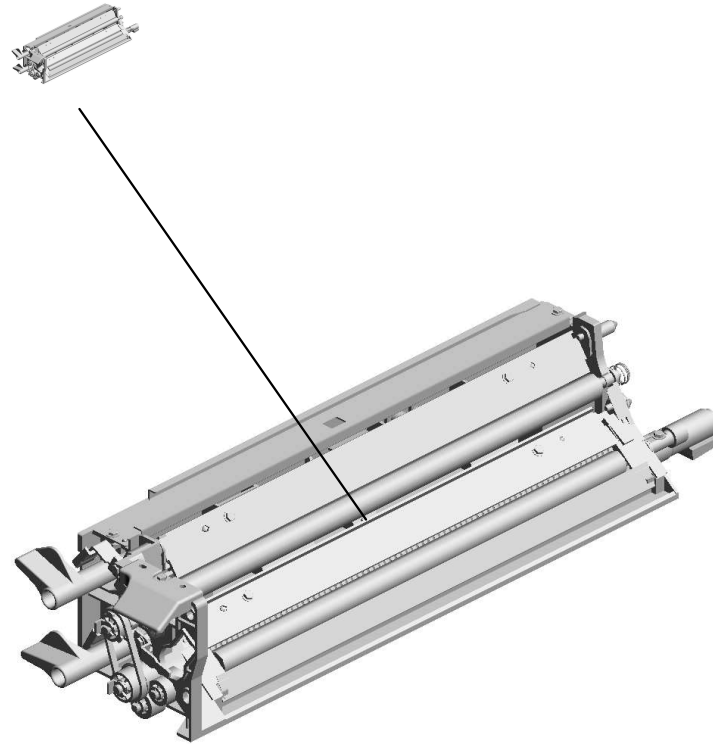
185.D1946236
HEXAGON HEAD S
CREW:WASHER:M
4X10:ASS'Y



U001	U002	U003	U004	U005	U006	U007	U008	U009	U010	U011	U012	U013	U014	U015	U016	U017	U018	U019	U020
------	------	------	------	------	------	------	------	------	------	------	------	------	------	------	------	------	------	------	------

U008.ITB CLEANING

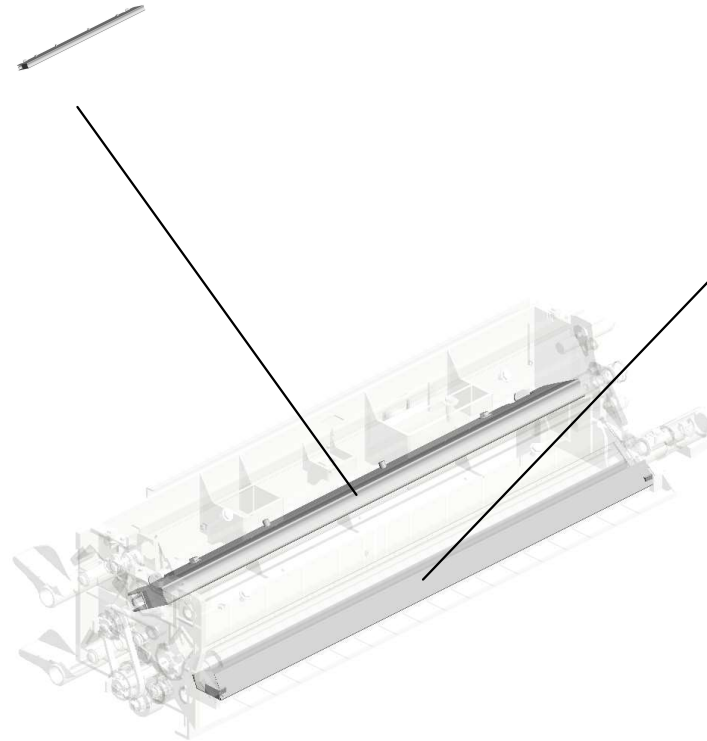
U008 S001
D0A50641
BELT CLEANING:ASS'Y



U001	U002	U003	U004	U005	U006	U007	U008	U009	U010	U011	U012	U013	U014	U015	U016	U017	U018	U019	U020
------	------	------	------	------	------	------	-------------	------	------	------	------	------	------	------	------	------	------	------	------

U008_S001.BELT CLEANING:ASS'Y

U008 S001 S002
D0746450
COATING BAR:ASS'Y

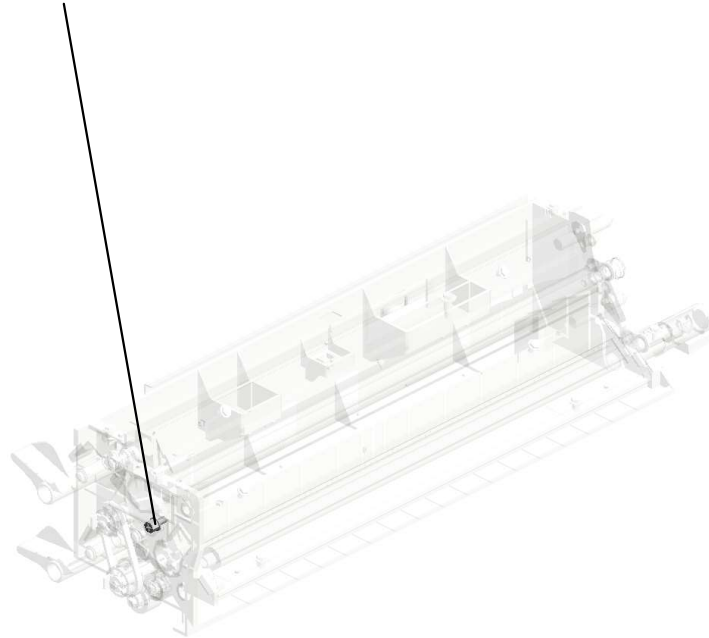
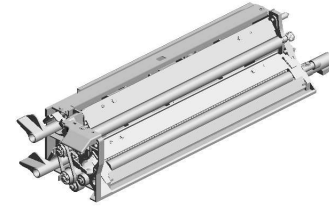


U008 S001 S001
D0746413
SCRAPER:BRUSH:REMOVE
PAPER DUST:ASS'Y

U001	U002	U003	U004	U005	U006	U007	U008	U009	U010	U011	U012	U013	U014	U015	U016	U017	U018	U019	U020
------	------	------	------	------	------	------	-------------	------	------	------	------	------	------	------	------	------	------	------	------

U008
ITB CLEANING

9-B2342390
FLANGED HEXAGONAL HEAD BOLT:M
4X8



U001	U002	U003	U004	U005	U006	U007	U008	U009	U010	U011	U012	U013	U014	U015	U016	U017	U018	U019	U020
------	------	------	------	------	------	------	-------------	------	------	------	------	------	------	------	------	------	------	------	------

U008_S001
BELT CLEANING:ASS'Y

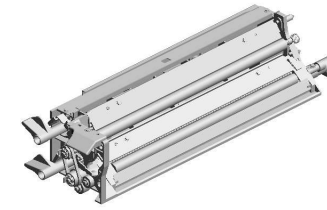
4.08050104
RETAINING RINGS-
E:SILENCER:DIA4

8.B1322264
(x2)
BUSHING:TERMIN
AL

20.D0746431
COIL SPRING:BLA
DE:CLEANING:BEL
T CLEANING

10.B5457506
SCREW:BUSHING

1.03603006N
(x19)
SCREW - M3X6



54.D0A50641
BELT CLEANING:A
SS'Y

6.AA082137
BUSHING:6X10X6



5.54472681
(x2)
SNAP RING



11.B7001802
TIMING BELT:B40S
2M134



22.D0746439
PLAIN SHAFT BEA
RING:REMOVE PA
PER DUST:TRANS
PORT SCREW



3.07200040E
(x4)
RETAINING RING -
M4



19.D0746428
HOLDER:CLEANIN
G:BELT CLEANING:
ASS'Y

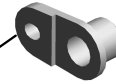
18.D0746424
BLADE:CLEANING
:BELT CLEANING:
ASS'Y

17.D0746420
BRUSH:REMOVE P
APER DUST:BELT
CLEANING

21.D0746434
TONER COLLECTI
ON COIL:BELT CLE
ANING:ASS'Y

12.D0746410
GROUND PLATE:B
ELT CLEANING

7.AA083022
(x2)
BUSHING:DIA6:DIA
8



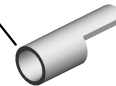
2.07080060N
(x2)
WASHER:DIA6



13.D0746411
COIL SPRING:EAR
TH:BELT CLEANIN
G



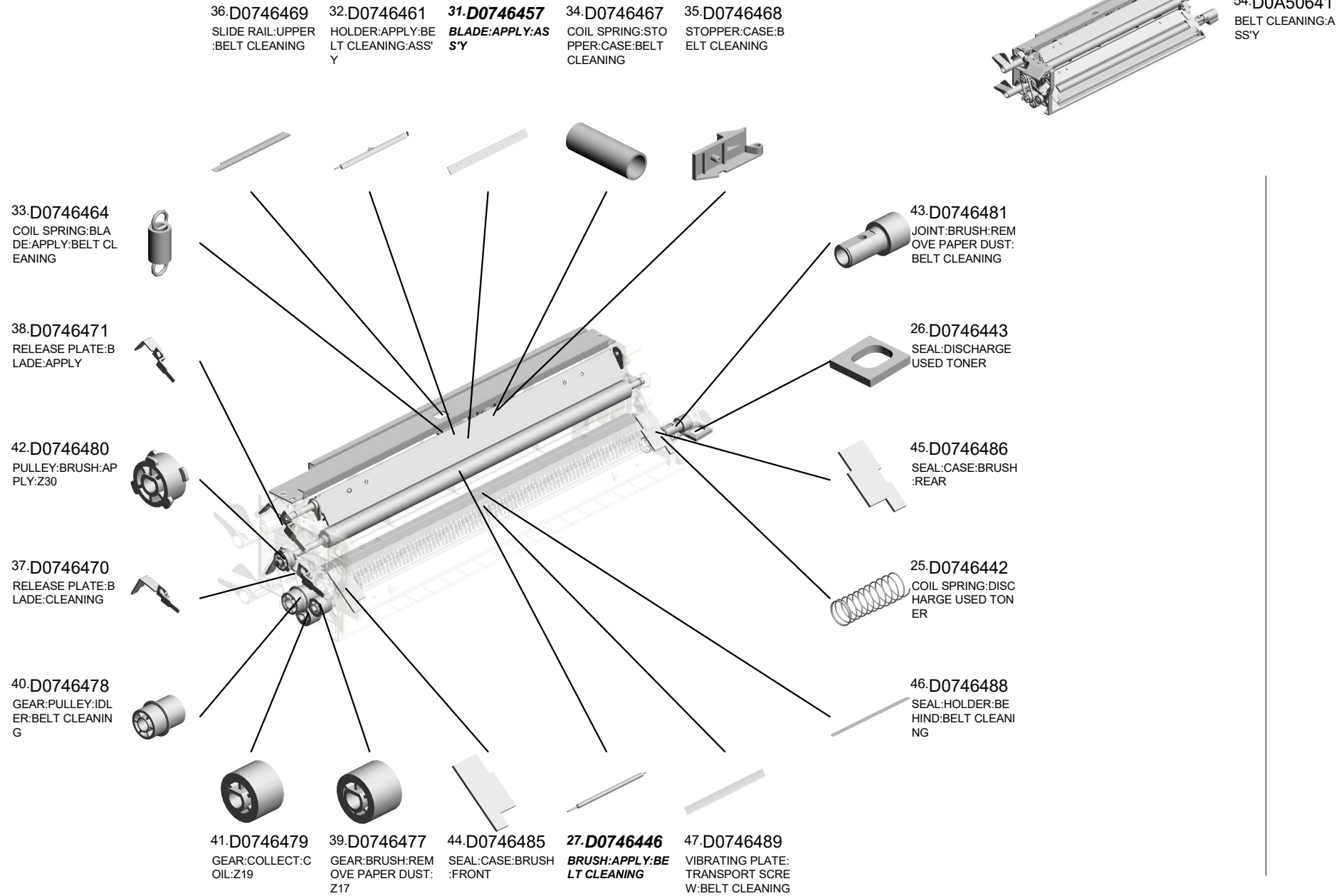
24.D0746441
SHUTTER:TRANSP
ORT SCREW:BELT
CLEANING



23.D0746440
GUIDE:DISCHARG
E USED TONER:BE
LT CLEANING



U008_S001
BELT CLEANING:ASS'Y



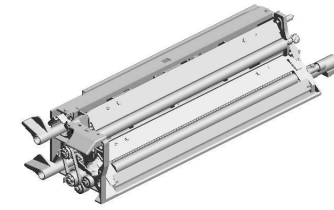
U001	U002	U003	U004	U005	U006	U007	U008	U009	U010	U011	U012	U013	U014	U015	U016	U017	U018	U019	U020
------	------	------	------	------	------	------	------	------	------	------	------	------	------	------	------	------	------	------	------

U008_S001
BELT CLEANING:ASS'Y

52.D0746496
GRIP:BELT CLEANING

49.D0746491
SEAL:CASE:CLEANING BLADE:FRONT

55.D1796412
(x2)
SEAL:HOLDER:CLEANING BLADE:UPPER



54.D0A50641
BELT CLEANING:ASS'Y

60.G1786621
(x2)
COVER:RELEASE PLATE:BLADE

51.D0746495
(x2)
LEVER:RELEASE:BLADE

53.D0746497
(x2)
DECAL:POSITIONING DISPLAY:TCRU



50.D0746492
SEAL:CASE:CLEANING BLADE:REAR

57.D1796414
SEAL:HOLDER:CLEANING BLADE:REAR LOWER

58.D1796415
(x2)
SEAL:HOLDER:CLEANING BLADE:LOWER

56.D1796413
SEAL:HOLDER:CLEANING BLADE:FRONT LOWER

48.D0746490
SEAL:BASE:CASE:BELT CLEANING

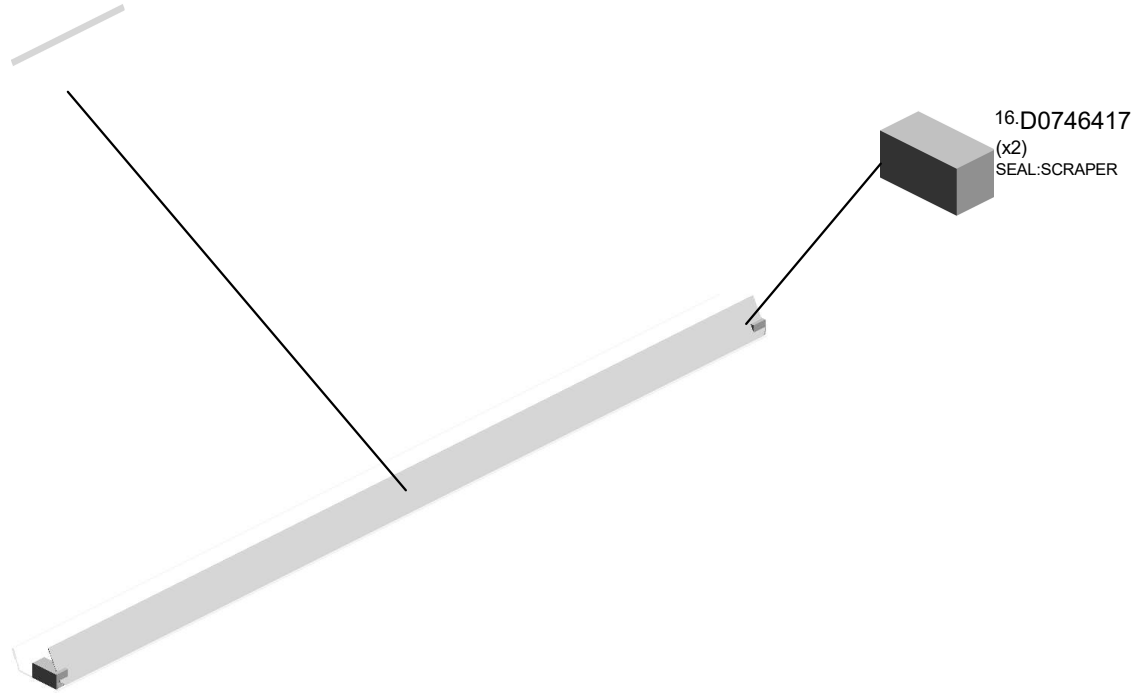
59.D1796416
(x2)
SEAL:HOLDER:CLEANING BLADE:BEHIND

U001	U002	U003	U004	U005	U006	U007	U008	U009	U010	U011	U012	U013	U014	U015	U016	U017	U018	U019	U020
------	------	------	------	------	------	------	------	------	------	------	------	------	------	------	------	------	------	------	------

U008_S001_S001
SCRAPER:BRUSH:REMOVE PAPER DUST:ASS'Y

15.D0746416
SEAL:ENTRANCE S
EAL:BELT CLEANIN
G

14.D0746413
SCRAPER:BRUSH:
REMOVE PAPER D
UST:ASS'Y



U001	U002	U003	U004	U005	U006	U007	U008	U009	U010	U011	U012	U013	U014	U015	U016	U017	U018	U019	U020
------	------	------	------	------	------	------	-------------	------	------	------	------	------	------	------	------	------	------	------	------

U008_S001_S002
COATING BAR:ASS'Y

29.D0746454
(x2)
ARM:COATING BA
R:BELT CLEANING



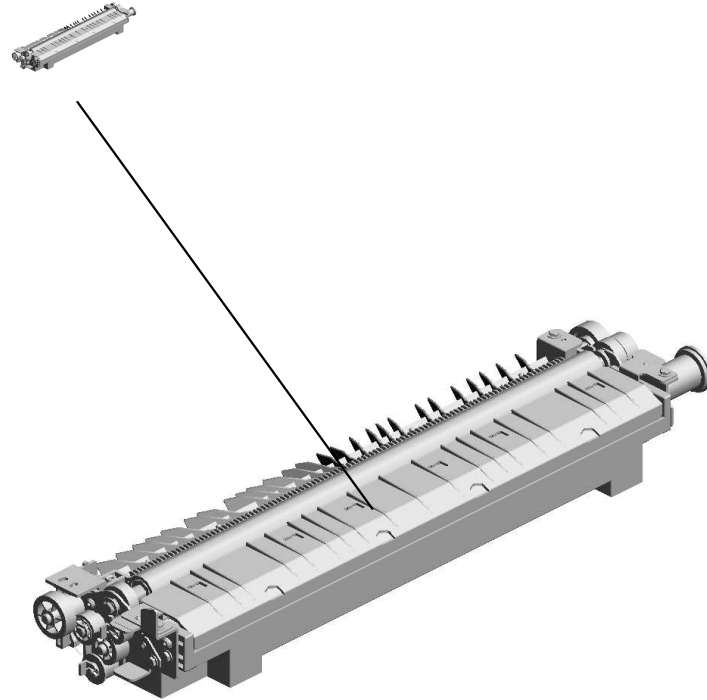
28.D0746450
COATING BAR:AS
S'Y

30.D0746455
COIL SPRING:COA
TING BAR

U001	U002	U003	U004	U005	U006	U007	U008	U009	U010	U011	U012	U013	U014	U015	U016	U017	U018	U019	U020
------	------	------	------	------	------	------	------	------	------	------	------	------	------	------	------	------	------	------	------

U009.TRANSFER/SEPARATION

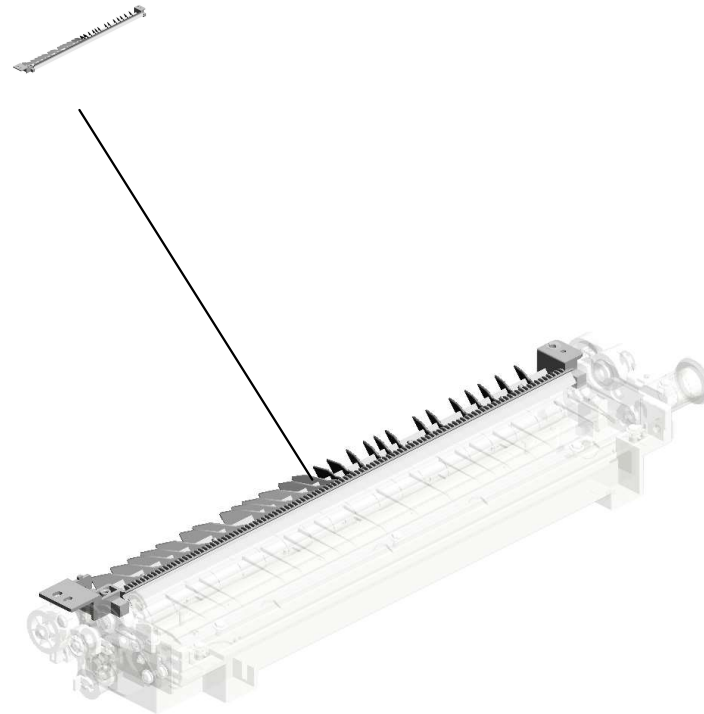
U009 S001
D0A56200
TRANSFER/SEPARATION UN
IT:ASSY



U001	U002	U003	U004	U005	U006	U007	U008	U009	U010	U011	U012	U013	U014	U015	U016	U017	U018	U019	U020
------	------	------	------	------	------	------	------	------	------	------	------	------	------	------	------	------	------	------	------

U009_S001.TRANSFER/SEPARATION UNIT:ASS'Y

U009 S001 S001
D1946301
SEPARATION GUIDE:ASS'Y

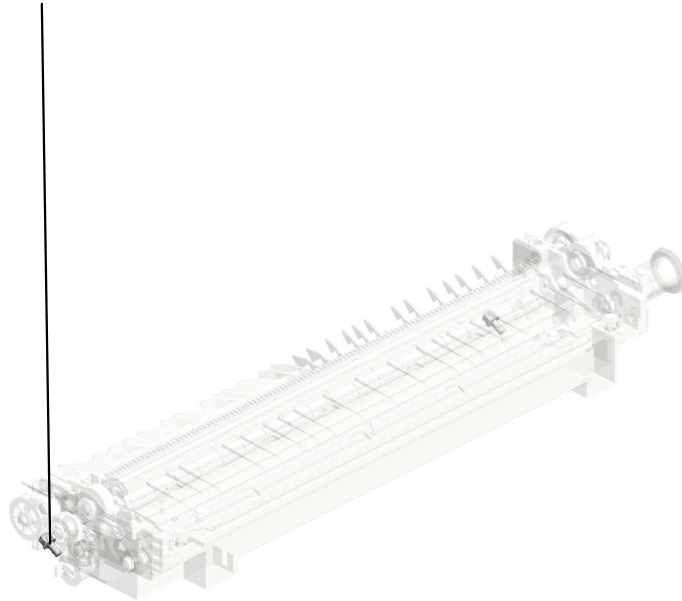
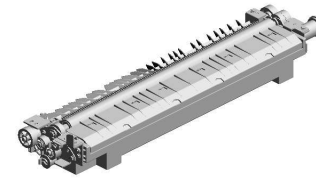


U001	U002	U003	U004	U005	U006	U007	U008	U009	U010	U011	U012	U013	U014	U015	U016	U017	U018	U019	U020
------	------	------	------	------	------	------	------	------	------	------	------	------	------	------	------	------	------	------	------

U009
TRANSFER/SEPARATION

17.B2342390

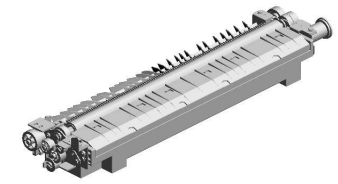
(x2)
FLANGED HEXAGONAL
HEAD BOLT:M
4X8



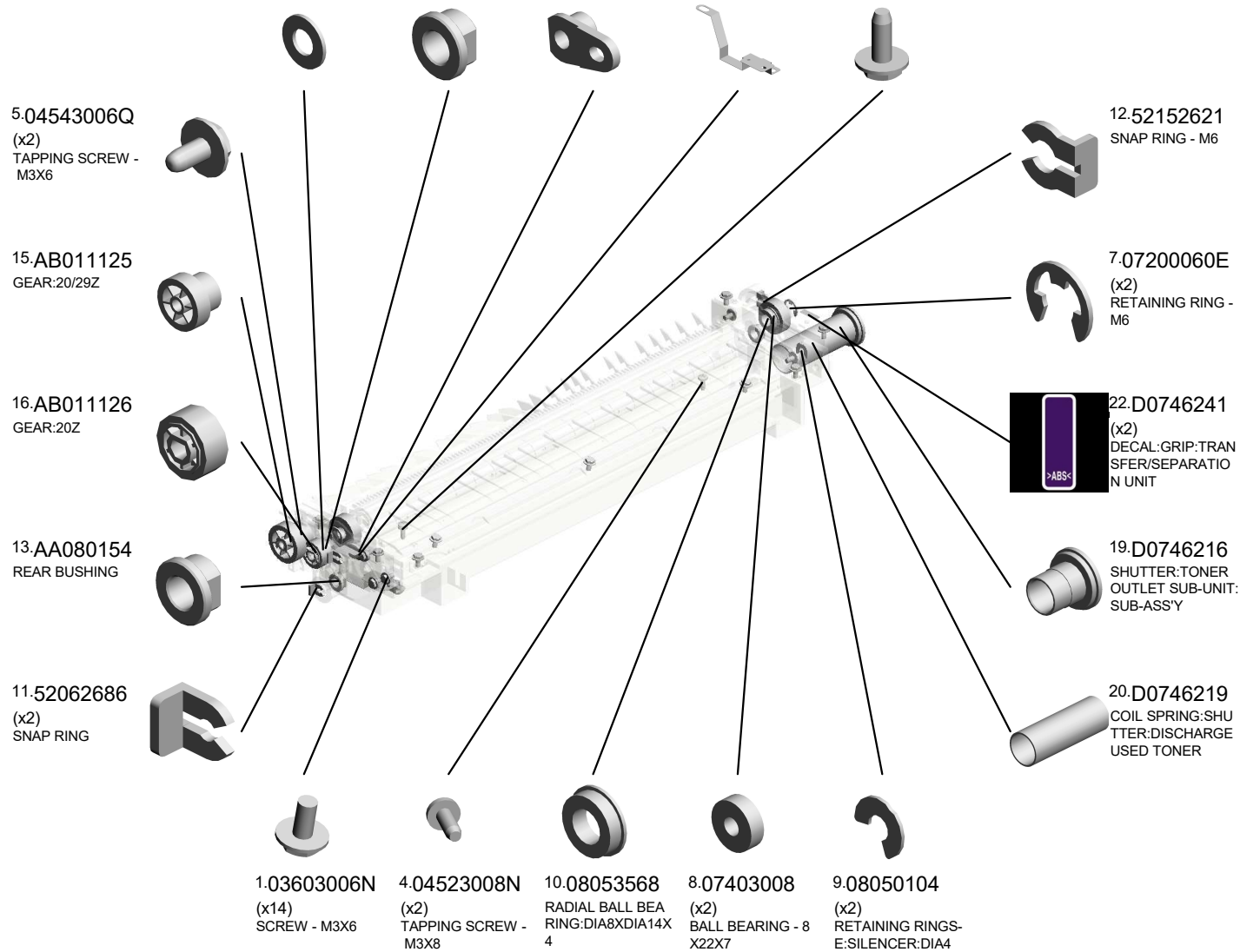
U001	U002	U003	U004	U005	U006	U007	U008	U009	U010	U011	U012	U013	U014	U015	U016	U017	U018	U019	U020
------	------	------	------	------	------	------	------	------	------	------	------	------	------	------	------	------	------	------	------

U009_S001
TRANSFER/SEPARATION UNIT:ASS'Y

6.07010060N WASHER DIA6
14.AA082137 (x2) BUSHING:6X10X6
18.D0146272 BUSHING:BRUSH: REAR
21.D0746228 ELECTRODE PLAT E:FRAME
2.04503008N TAPPING SCREW - M3X8



38.D0A56200
TRANSFER/SEPARATION UNIT:ASS'Y



U001	U002	U003	U004	U005	U006	U007	U008	U009	U010	U011	U012	U013	U014	U015	U016	U017	U018	U019	U020
------	------	------	------	------	------	------	------	------	------	------	------	------	------	------	------	------	------	------	------

U009_S001
TRANSFER/SEPARATION UNIT:ASS'Y

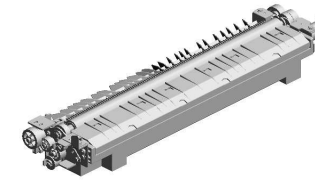
39.D0A56252
TRANSFER ROLLER:
R:18MIC

40.D1946201
BRUSH ROLLER:A
PPLY:ASS'Y

26.D0746273
SEAL:HOLDER

24.D0746265
BLADE:TRANSFER
ROLLER:ASS'Y

30.D0746280
GUIDE PLATE:ENT
RANCE:TRANSFER
ROLLER:ASS'Y



38.D0A56200
TRANSFER/SEPAR
ATION UNIT:ASS'Y

31.D0746291
(x2)
COIL SPRING:COA
TING BAR

37.D0746315
GEAR:BRUSH:APP
PLY

35.D0746313
GEAR:IDLER:COLL
ECTION COIL

28.D0746276
PIN:POSITIONING
PLATE:BLADE:TRA
NSFER ROLLER:AS
S'Y

36.D0746314
GEAR:COLLECTIO
N COIL

34.D0746312
GEAR:IDLER:TRAN
SFER ROLLER

33.D0746311
GEAR:TRANSFER
ROLLER

44.D0746212
SEAL:TRANSFER R
OLLER:REAR

27.D0746274
(x2)
SEAL:HOLDER:UP
PER

29.D0746279
(x2)
COIL SPRING:BLA
DE:TRANSFER RO
LLER

23.D0746255
BRUSH ROLLER:T
RANSFER ROLLER
:ASS'Y

32.D0746294
TRANSPORT SCRE
W:TRANSFER ROL
LER:ASS'Y

25.D0746270
HOLDER:BLADE:A
SS'Y

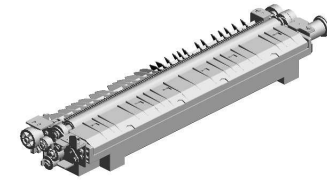
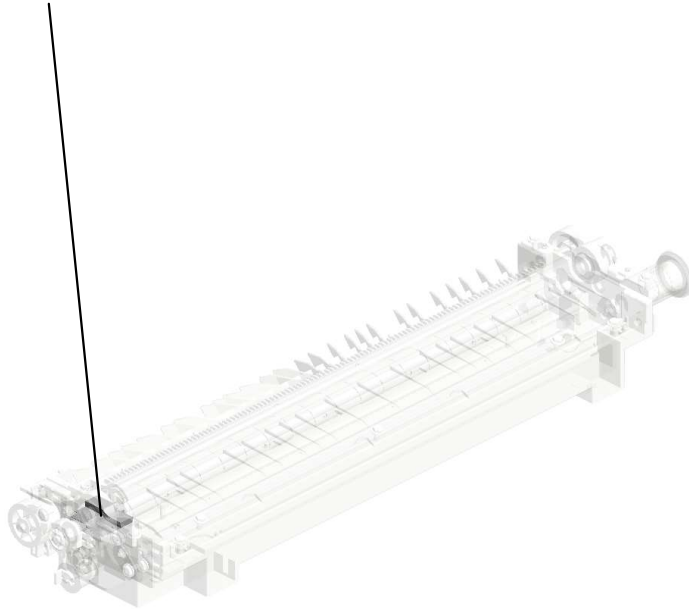
43.G1786767
COATING BAR:TR
ANSFER ROLLER

42.G1784018
CASE:COATING BA
R:TRANSFER ROLL
ER

U001	U002	U003	U004	U005	U006	U007	U008	U009	U010	U011	U012	U013	U014	U015	U016	U017	U018	U019	U020
------	------	------	------	------	------	------	------	------	------	------	------	------	------	------	------	------	------	------	------

U009_S001
TRANSFER/SEPARATION UNIT:ASS'Y

45.D0746213
SEAL:TRANSFER R
ROLLER:FRONT



38.D0A56200
TRANSFER/SEPAR
ATION UNIT:ASS'Y

U001	U002	U003	U004	U005	U006	U007	U008	U009	U010	U011	U012	U013	U014	U015	U016	U017	U018	U019	U020
------	------	------	------	------	------	------	------	------	------	------	------	------	------	------	------	------	------	------	------

U009_S001_S001
SEPARATION GUIDE:ASS'Y

3.04523006N
BINDING SELF-TAP
PING SCREW:3X6



U001	U002	U003	U004	U005	U006	U007	U008	U009	U010	U011	U012	U013	U014	U015	U016	U017	U018	U019	U020
------	------	------	------	------	------	------	------	------	------	------	------	------	------	------	------	------	------	------	------

U010.USED TONER

U010 S006
D0746627
COLLECTION BOTTLE:SMAL
L:ASSY

U010 S001
D1946521
TONER OUTLET SUB-UNIT:P
CU:MAIN:5ST:ASSY

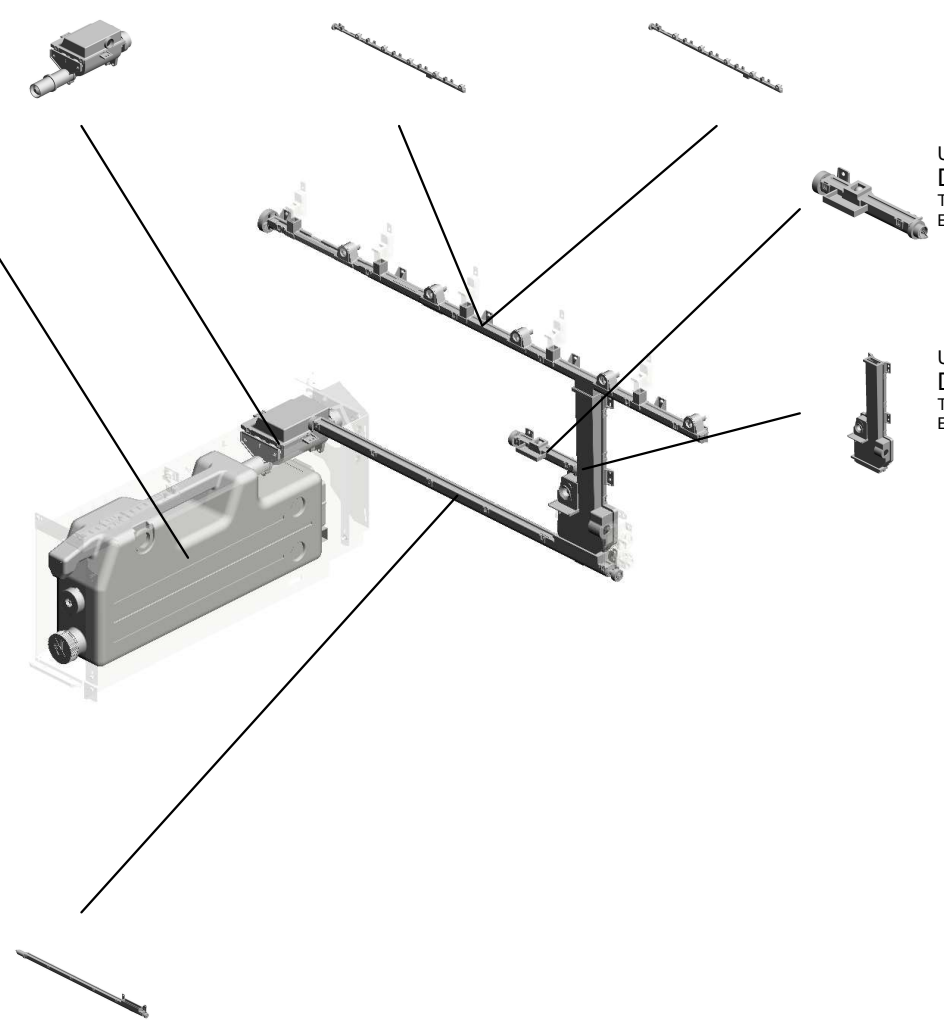
U010 S007
D1946521
TONER OUTLET SUB-UNIT:P
CU:MAIN:5ST:ASSY

U010 S004
D0746590
COLLECTION BOTTLE:ASSY

U010 S002
D0746531
TONER OUTLET SUB-UNIT:B
ELT CLEANING:MAIN:ASSY

U010 S003
D0746551
TONER OUTLET SUB-UNIT:V
ERTICAL TRANSPORT:ASSY

U010 S005
D0746601
TONER OUTLET SUB-UNIT:L
OWER:ASSY



U001	U002	U003	U004	U005	U006	U007	U008	U009	U010	U011	U012	U013	U014	U015	U016	U017	U018	U019	U020
------	------	------	------	------	------	------	------	------	------	------	------	------	------	------	------	------	------	------	------

U010 USED TONER

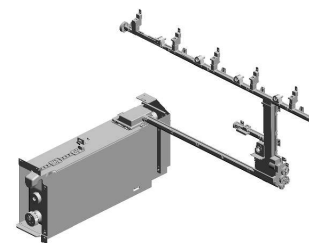
12.11050717
(x2)
CLAMP:JDW-1S

11.11050551
CLAMP:LES-0505

20.D0143241
(x5)
SEAL:DISCHARGE
USED TONER

21.D0143242
(x5)
SEAL:DISCHARGE
USED TONER:LOW
ER

26.D0746520
(x5)
COVER:DISCHARG
E USED TONER:DE
VELOPMENT



18.AW500045
(x2)
PUSH SWITCH



5.04543006Q
(x2)
TAPPING SCREW -
M3X6



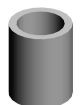
2.04503008N
TAPPING SCREW -
M3X8



6.04543010Q
(x2)
TAPPING SCREW:3
X10



8.07073050N
(x2)
BUSHING:DIA3X5



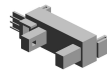
13.11050724
CLAMPS:WES-1210



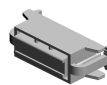
1.03603006N
SCREW - M3X6



17.AW020164
(x2)
OIL END SENSOR



16.AG071012
MAGNET CATCH:A
SS'Y



14.11050758
(x5)
CLAMP:LWSM-030
6A



19.AX061204
DC MOTOR:11.5W:
BRUSHLESS



14.11050758
(x2)
CLAMP:LWSM-030
6A



4.04514008N
(x39)
TAPPING SCREW:4
X8



4.04514008N(x 5)
TAPPING SCREW:4X8
9.07200040E(x 3)
RETAINING RING - M4



38.D0746574
COVER:CAM:VERTI
CAL TRANSPORT



37.D0746572
BRACKET:VERTIC
AL TRANSPORT:AS
S'Y



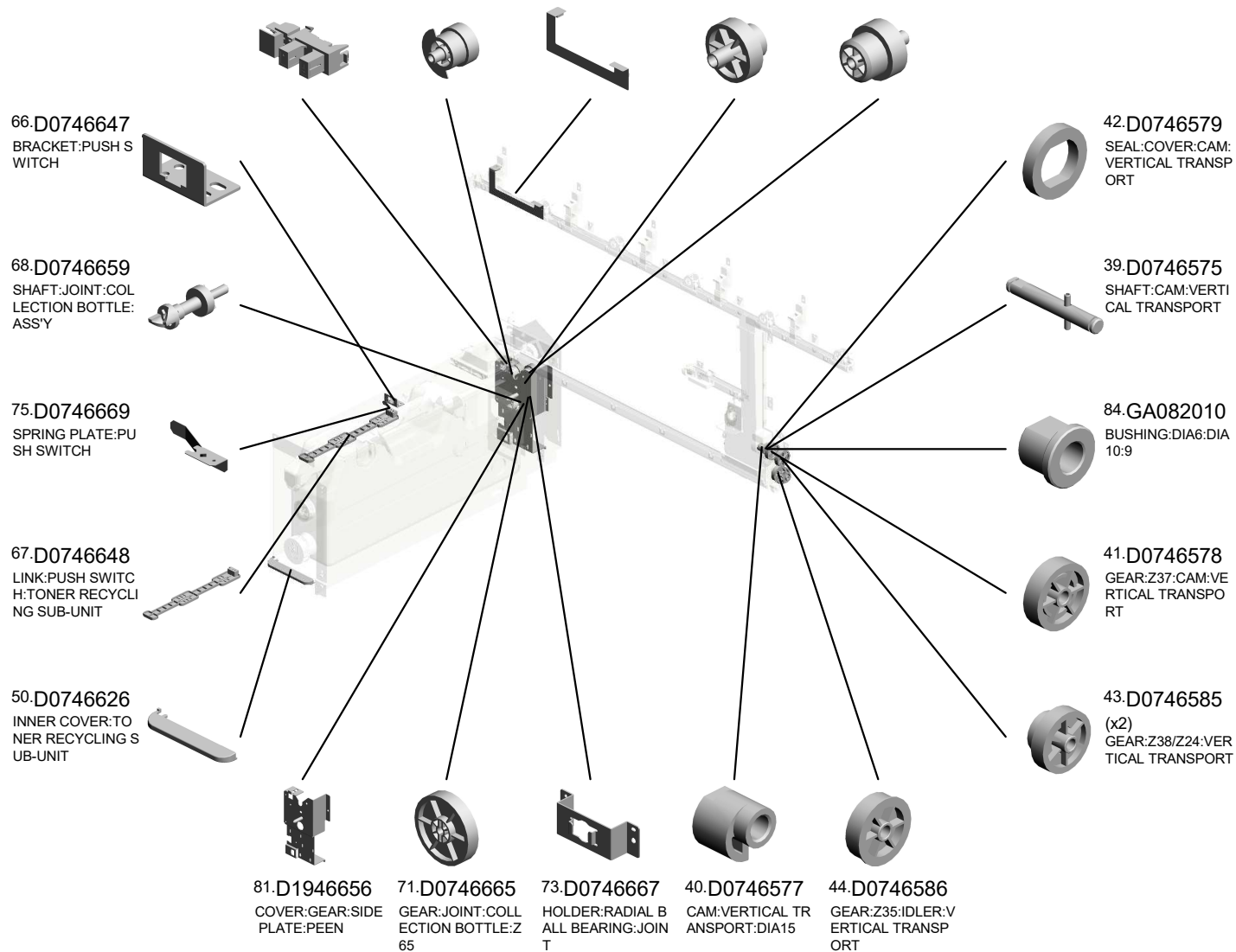
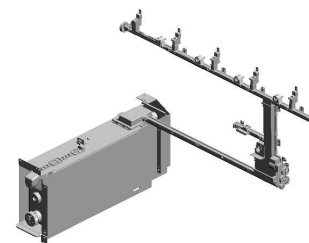
3.04513006N
(x15)
TAPPING SCREW -
3X6



U001	U002	U003	U004	U005	U006	U007	U008	U009	U010	U011	U012	U013	U014	U015	U016	U017	U018	U019	U020
------	------	------	------	------	------	------	------	------	------	------	------	------	------	------	------	------	------	------	------

U010 USED TONER

- 85.GW020022 PHOT INTERRUPTOR:LG2A24BL1
- 69.D0746663 TORQUE LIMITER MECHANICAL CLUTCH:GEAR:Z63
- 80.D1946528 (Pro C7200S/C7210 S/C7200SL/C7200/C7200e/C7210):CAP:TONER OUTLET SUB-UNIT
- 70.D0746664 GEAR:IDLER:Z49/Z27
- 72.D0746666 GEAR:IDLER:Z37/Z28

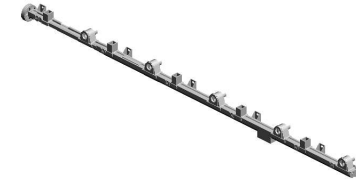


U001	U002	U003	U004	U005	U006	U007	U008	U009	U010	U011	U012	U013	U014	U015	U016	U017	U018	U019	U020
------	------	------	------	------	------	------	------	------	------	------	------	------	------	------	------	------	------	------	------

U010_S001
 TONER OUTLET SUB-UNIT:PCU:MAIN:5ST:ASS'Y

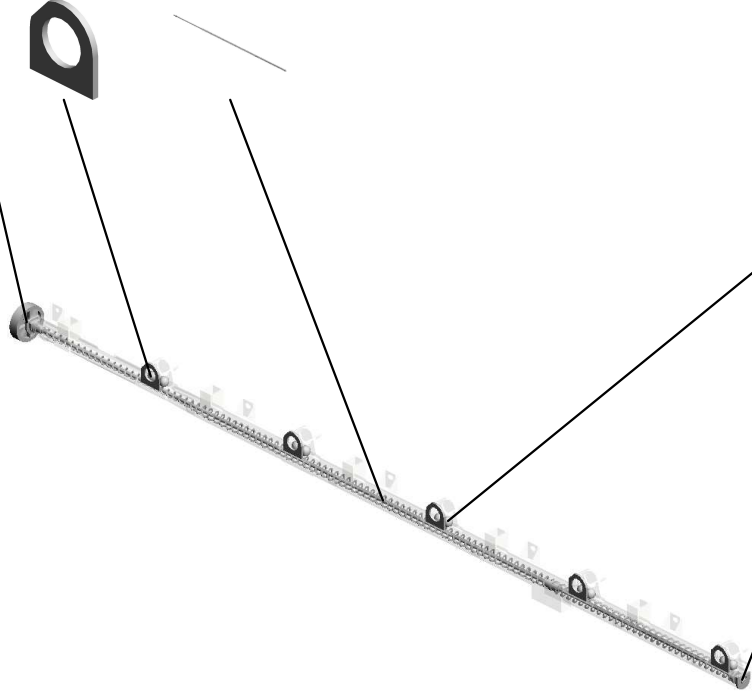
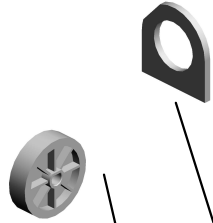
24.D0746514 (x5)
 SEAL:TONER OUTLET SUB-UNIT:PCU

78.D1946504
 TRANSPORT SCREW:PCU:MAIN:ASS'Y



79.D1946521
 TONER OUTLET SUB-UNIT:PCU:MAIN:5ST:ASS'Y

23.D0746512
 GEAR:Z35:TRANSPORT SCREW:PCU:MAIN



25.D0746517 (x10)
 STEEL BALL:TONER OUTLET SUB-UNIT



9.07200040E (x 1)
 RETAINING RING - M4

22.D0746511 (x2)
 PLAIN SHAFT BEARING:TONER RECYCLING SUB-UNIT

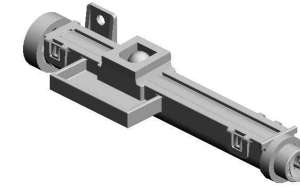


U001	U002	U003	U004	U005	U006	U007	U008	U009	U010	U011	U012	U013	U014	U015	U016	U017	U018	U019	U020
------	------	------	------	------	------	------	------	------	------	------	------	------	------	------	------	------	------	------	------

U010_S002
 TONER OUTLET SUB-UNIT:BELT CLEANING:MAIN:ASS'Y

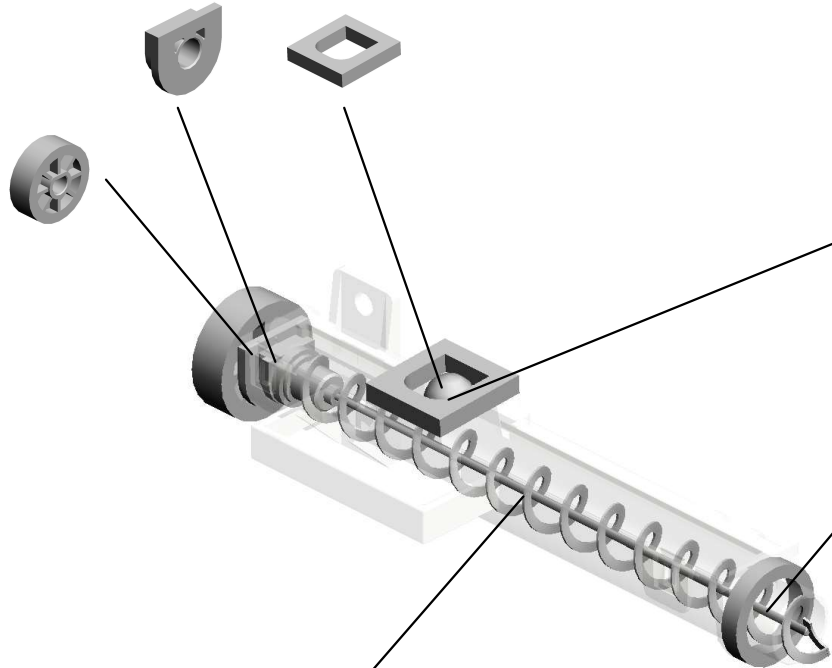
22.D0746511
 PLAIN SHAFT BEARING
 RING:TONER RECYCLING SUB-UNIT

30.D0746540
 SEAL:BELT CLEANING:MAIN



27.D0746531
 TONER OUTLET SUB-UNIT:BELT CLEANING:MAIN:ASS'Y

29.D0746539
 GEAR:Z29:TRANSPORT SCREW:BELT CLEANING



25.D0746517
 STEEL BALL:TONER OUTLET SUB-UNIT

9.07200040E(x 1)
 RETAINING RING - M4

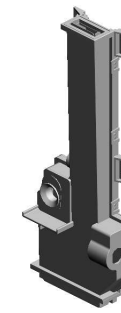
31.D0746541
 SEAL:RING:TONER OUTLET SUB-UNIT:BELT CLEANING

28.D0746534
 TRANSPORT SCREW:BELT CLEANING:MAIN:ASS'Y

U001	U002	U003	U004	U005	U006	U007	U008	U009	U010	U011	U012	U013	U014	U015	U016	U017	U018	U019	U020
------	------	------	------	------	------	------	------	------	------	------	------	------	------	------	------	------	------	------	------

U010_S003
TONER OUTLET SUB-UNIT:VERTICAL TRANSPORT:ASS'Y

36.D0746567
SEAL:VERTICAL T
RANSPORT:UPPER



32.D0746551
TONER OUTLET S
UB-UNIT:VERTICAL
TRANSPORT:ASS'
Y

33.D0746564
TONER OUTLET S
UB-UNIT:T/S UNIT:
SHUTTER:OUTER



34.D0746565
TONER OUTLET S
UB-UNIT:T/S UNIT:
SHUTTER:INNER



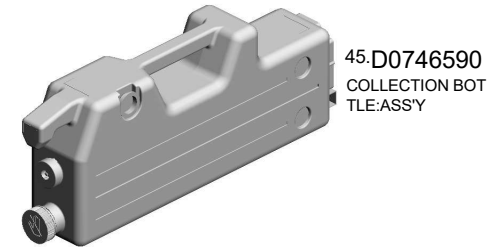
35.D0746566
SEAL:VERTICAL T
RANSPORT:LOWE
R



U001	U002	U003	U004	U005	U006	U007	U008	U009	U010	U011	U012	U013	U014	U015	U016	U017	U018	U019	U020
------	------	------	------	------	------	------	------	------	------	------	------	------	------	------	------	------	------	------	------

U010_S004
COLLECTION BOTTLE:ASS'Y

77.D0746697 82.G0603602
DECAL:COLLECTIO N BOTTLE:GRIP:FR ONT
CAP:BOTTLE



45.D0746590
COLLECTION BOT
TLE:ASS'Y



15.AA036015
CAP:COLLECTION
BOTTLE

83.G1787819
SEAL:CAP:COLLEC
TION BOTTLE



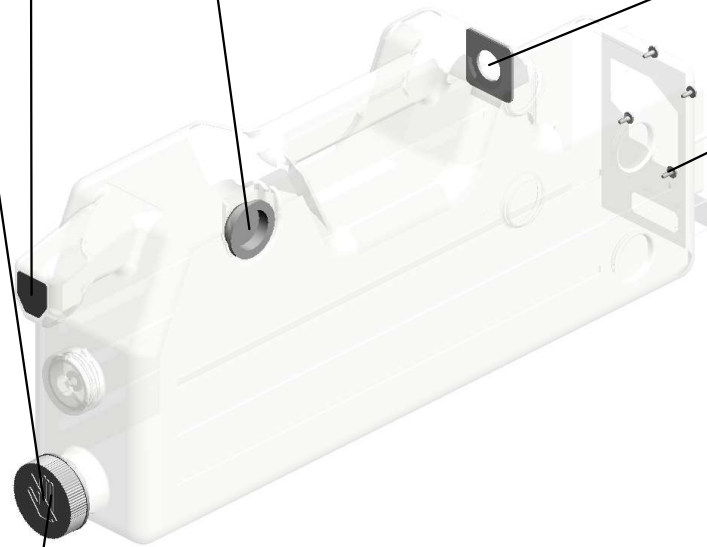
76.D0746684
SEAL:TANK:USED
TONER:COLLECT



2.04503008N
(x4)
TAPPING SCREW -
M3X8



10.08050089
RETAINING RING -
M4

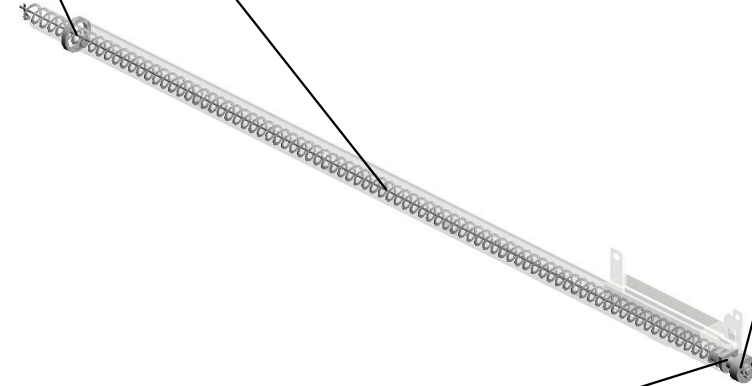


U001	U002	U003	U004	U005	U006	U007	U008	U009	U010	U011	U012	U013	U014	U015	U016	U017	U018	U019	U020
------	------	------	------	------	------	------	------	------	------	------	------	------	------	------	------	------	------	------	------

U010_S005
 TONER OUTLET SUB-UNIT:LOWER:ASS'Y

47.D0746604
 TRANSPORT SCRE
 W:TONER OUTLET
 SUB-UNIT:LOWER:
 ASS'Y

49.D0746610
 SEAL:RING:TONER
 OUTLET SUB-UNIT
 :LOWER



48.D0746609
 GEAR:Z23:TRANSP
 ORT SCREW:LOW
 ER

9.07200040E(x 1)
 RETAINING RING - M4



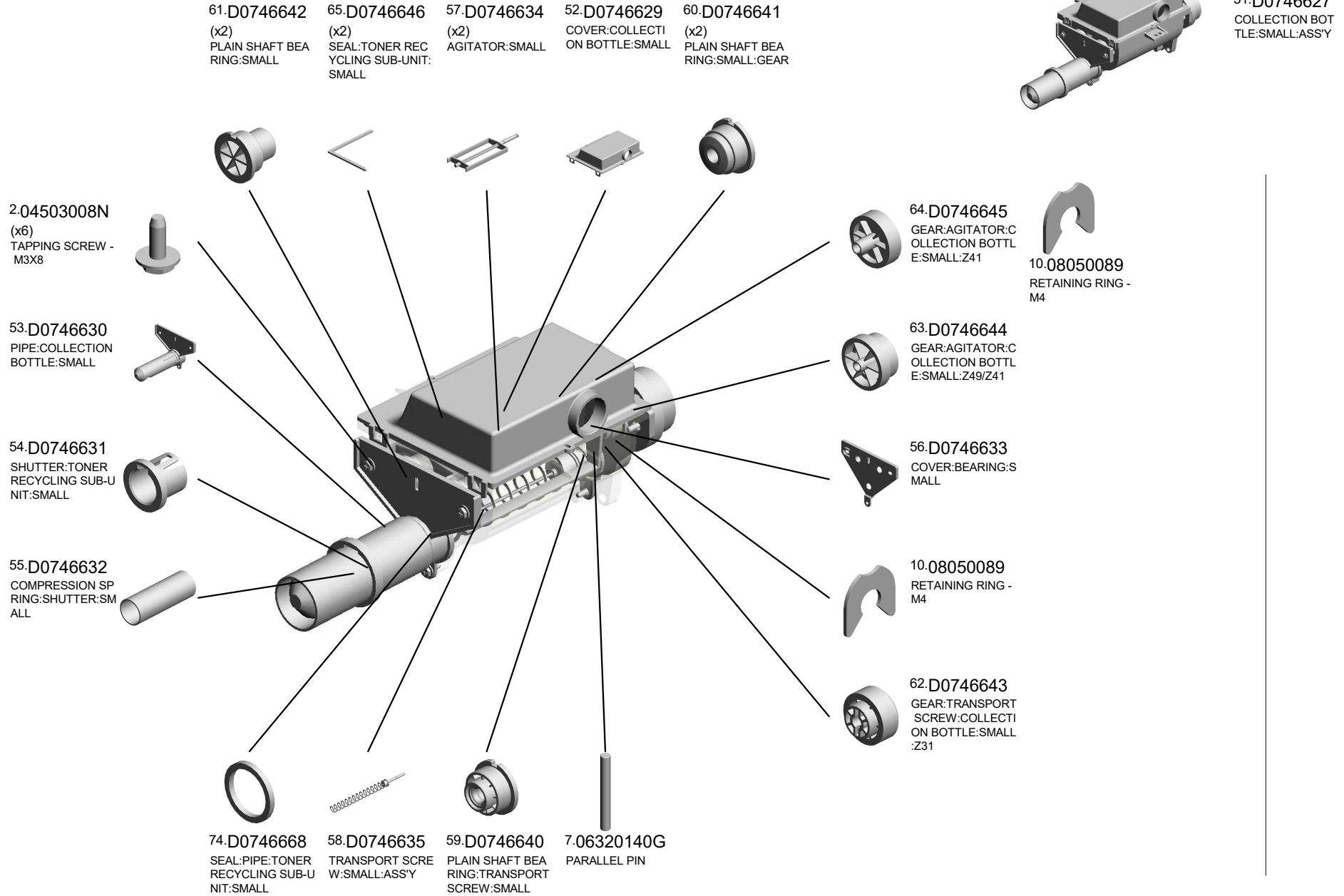
22.D0746511
 PLAIN SHAFT BEA
 RING:TONER REC
 YCLING SUB-UNIT



46.D0746601
 TONER OUTLET S
 UB-UNIT:LOWER:A
 SS'Y

U001	U002	U003	U004	U005	U006	U007	U008	U009	U010	U011	U012	U013	U014	U015	U016	U017	U018	U019	U020
------	------	------	------	------	------	------	------	------	------	------	------	------	------	------	------	------	------	------	------

U010_S006
COLLECTION BOTTLE:SMALL:ASS'Y



U001	U002	U003	U004	U005	U006	U007	U008	U009	U010	U011	U012	U013	U014	U015	U016	U017	U018	U019	U020
------	------	------	------	------	------	------	------	------	------	------	------	------	------	------	------	------	------	------	------

U010_S007
 TONER OUTLET SUB-UNIT:PCU:MAIN:5ST:ASS'Y

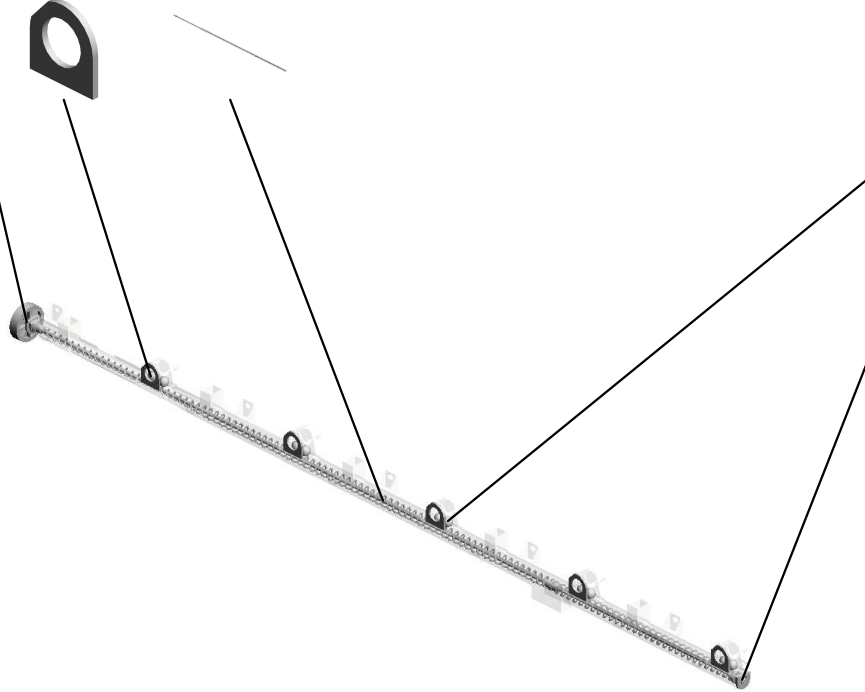
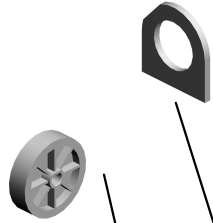
24.D0746514 (x5)
 SEAL:TONER OUTLET SUB-UNIT:PCU

78.D1946504
 TRANSPORT SCREW:PCU:MAIN:ASS'Y



79.D1946521
 TONER OUTLET SUB-UNIT:PCU:MAIN:5ST:ASS'Y

23.D0746512
 GEAR:Z35:TRANSPORT SCREW:PCU:MAIN



9.07200040E (x 1)
 RETAINING RING - M4

25.D0746517 (x10)
 STEEL BALL:TONER OUTLET SUB-UNIT



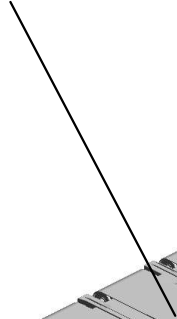
22.D0746511 (x2)
 PLAIN SHAFT BEARING:TONER RECYCLING SUB-UNIT



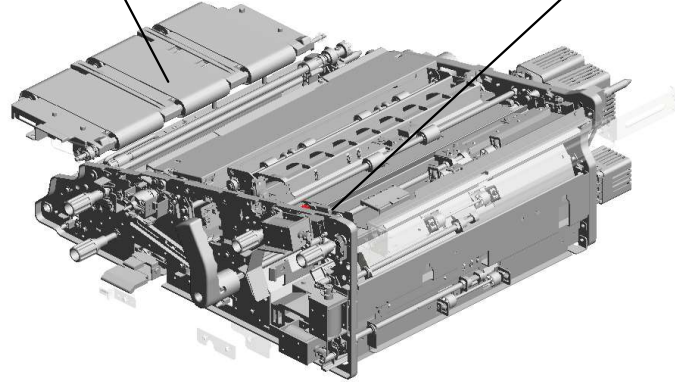
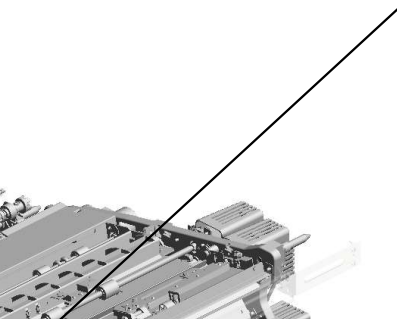
U001	U002	U003	U004	U005	U006	U007	U008	U009	U010	U011	U012	U013	U014	U015	U016	U017	U018	U019	U020
------	------	------	------	------	------	------	------	------	------	------	------	------	------	------	------	------	------	------	------

U011.PAPER TRANSPORT

U011 S001
D0A53850
TRANSPORT BELT UNIT:ASS
Y



U011 S002
D0A52615
TRANSPORT UNIT:ASS'Y



U001	U002	U003	U004	U005	U006	U007	U008	U009	U010	U011	U012	U013	U014	U015	U016	U017	U018	U019	U020
------	------	------	------	------	------	------	------	------	------	------	------	------	------	------	------	------	------	------	------

U011_S002.TRANSPORT UNIT:ASS'Y

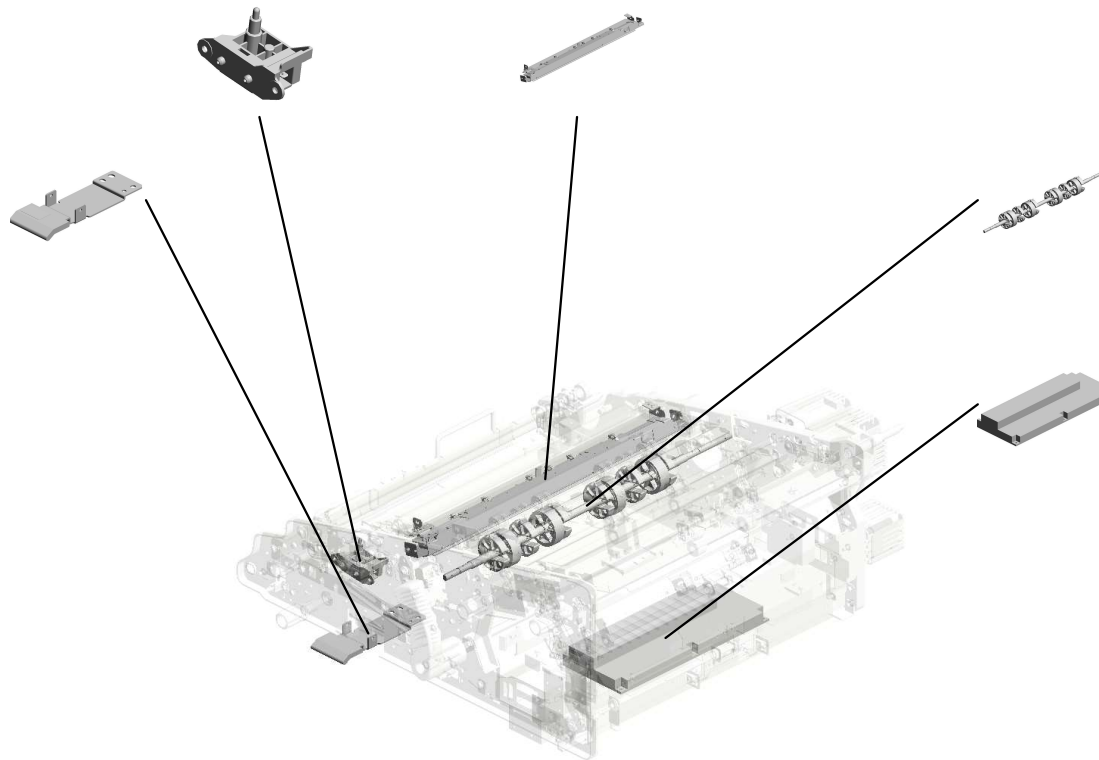
U011 S002 S005
D0746230
CASE:TERMINAL:SEPARATIO
N:ASSY

U011 S002 S002
D0A52687
GUIDE PLATE:REGISTRATIO
N:EXIT:ASSY

U011 S002 S004
D0742979
LEVER:GUIDE PLATE

U011 S002 S003
M2057305
REGISTRATION ROLLER:GA
TE:ASSY

U011 S002 S001
D0A55532
PCB:DRB



U001	U002	U003	U004	U005	U006	U007	U008	U009	U010	U011	U012	U013	U014	U015	U016	U017	U018	U019	U020
------	------	------	------	------	------	------	------	------	------	------	------	------	------	------	------	------	------	------	------

U011_S002_S002.GUIDE PLATE:REGISTRATION:EXIT:ASS'Y

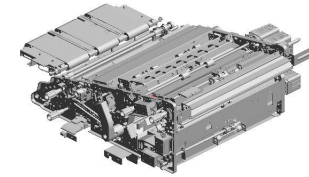
U011 S002 S002 S001
D0A52685
CONTACT IMAGE SENSOR:A
SS'Y



U001	U002	U003	U004	U005	U006	U007	U008	U009	U010	U011	U012	U013	U014	U015	U016	U017	U018	U019	U020
------	------	------	------	------	------	------	------	------	------	------	------	------	------	------	------	------	------	------	------

U011 PAPER TRANSPORT

- 17.04514008N (x11) TAPPING SCREW:4X8
- 73.AA082173 (x2) PLAIN SHAFT BEARING RING:6X10X6
- 52.54472681 (x3) SNAP RING
- 143.D0742938 (x2) GUIDE PLATE:CONNECTION:LARGE CAPACITY TRAY:UPPER
- 51.12042612 (x2) MICRO SWITCH:D3 V-16506-3C25



159.D0743033
GUIDE PLATE:CONNECTING

104.B2384755
TIMING BELT - B40 S2M166

160.D0743038
BRACKET:DUPLEX:EXIT

161.D0743039
GUIDE PLATE:DUPLEX:EXIT

162.D0743047
BRACKET:HOLDER:DUPLEX:ASSY

124.D0742799
GUIDE PLATE:CONNECTION:LCT:LOWER

123.D0742797
STAY:CONNECTION:LARGE CAPACITY TRAY

1.03130040N (x2) SCREW:M3X4

8.03603014N (x2) SCREW - M3X14

76.AA143797
CONNECTOR GUIDE PIN

17.04514008N (x2) TAPPING SCREW:4X8 202404-03

145.D0742942
PIN:GUIDE PLATE:CONNECTION:LARGE CAPACITY TRAY:UPPER

11.03604008N (x6) SCREW - M4X8

80.AA143884 (x2) STEPPED SCREW: DIA5.4:DIA3.5:M3:LONG

67.AA063725 (x2) COMPRESSION SPRING:CONNECTOR:DRAWER:UPPER

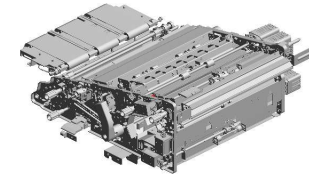
50.11050763
CLAMP:LWS-1211A

17.04514008N (x3)
TAPPING SCREW:4X8

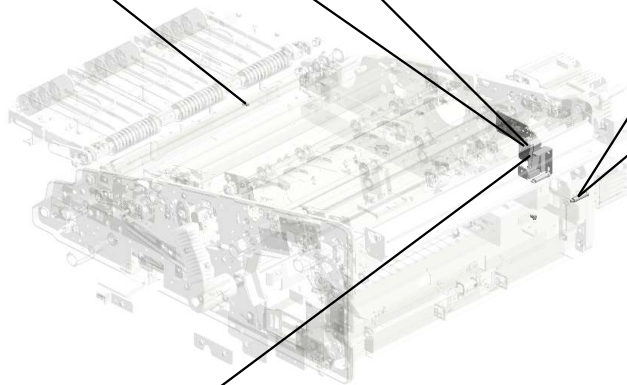
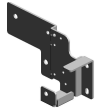
U001	U002	U003	U004	U005	U006	U007	U008	U009	U010	U011	U012	U013	U014	U015	U016	U017	U018	U019	U020
------	------	------	------	------	------	------	------	------	------	------	------	------	------	------	------	------	------	------	------

U011 PAPER TRANSPORT

229.D1942971 230.D1942972
BRACKET:SAFETY SWITCH STAY:SAFETY SWITCH



260.G1787793
(x2)
SCREW:REGISTRATION:FIX



252.G1787515
(x2)
CONNECTOR GUIDE PIN:CONNECTOR



248.G1784866
(x2)
COMPRESSION SPRING:EXIT:CONNECTOR



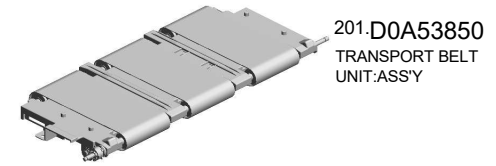
244.G1781602
ARM:SAFETY SWITCH:UPPER:ASSY



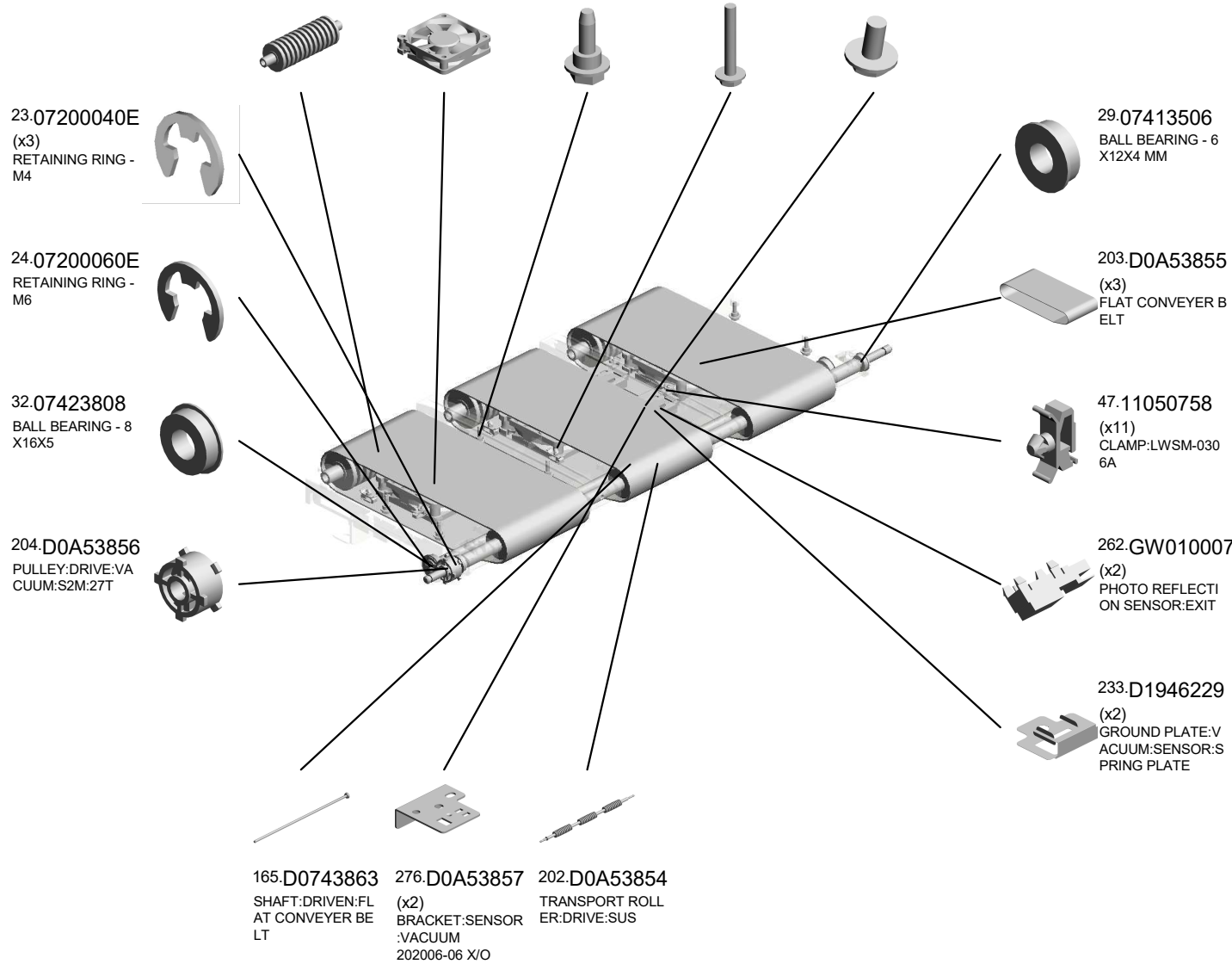
U001	U002	U003	U004	U005	U006	U007	U008	U009	U010	U011	U012	U013	U014	U015	U016	U017	U018	U019	U020
------	------	------	------	------	------	------	------	------	------	------	------	------	------	------	------	------	------	------	------

U011_S001 TRANSPORT BELT UNIT:ASS'Y

- 85.AF022064 (x3) TRANSPORT ROLL ER:DRIVEN
- 235.D2583910 (x3) FAN:MM60X15
- 261.GA143003 (x7) SCREW:MM5.2.5M M
- 9.03603020N (x6) SCREW:M3X20
- 6.03603006N (x2) SCREW - M3X6



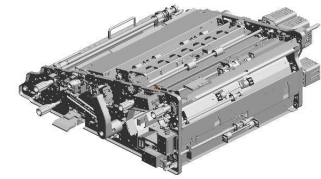
201.D0A53850
TRANSPORT BELT
UNIT:ASS'Y



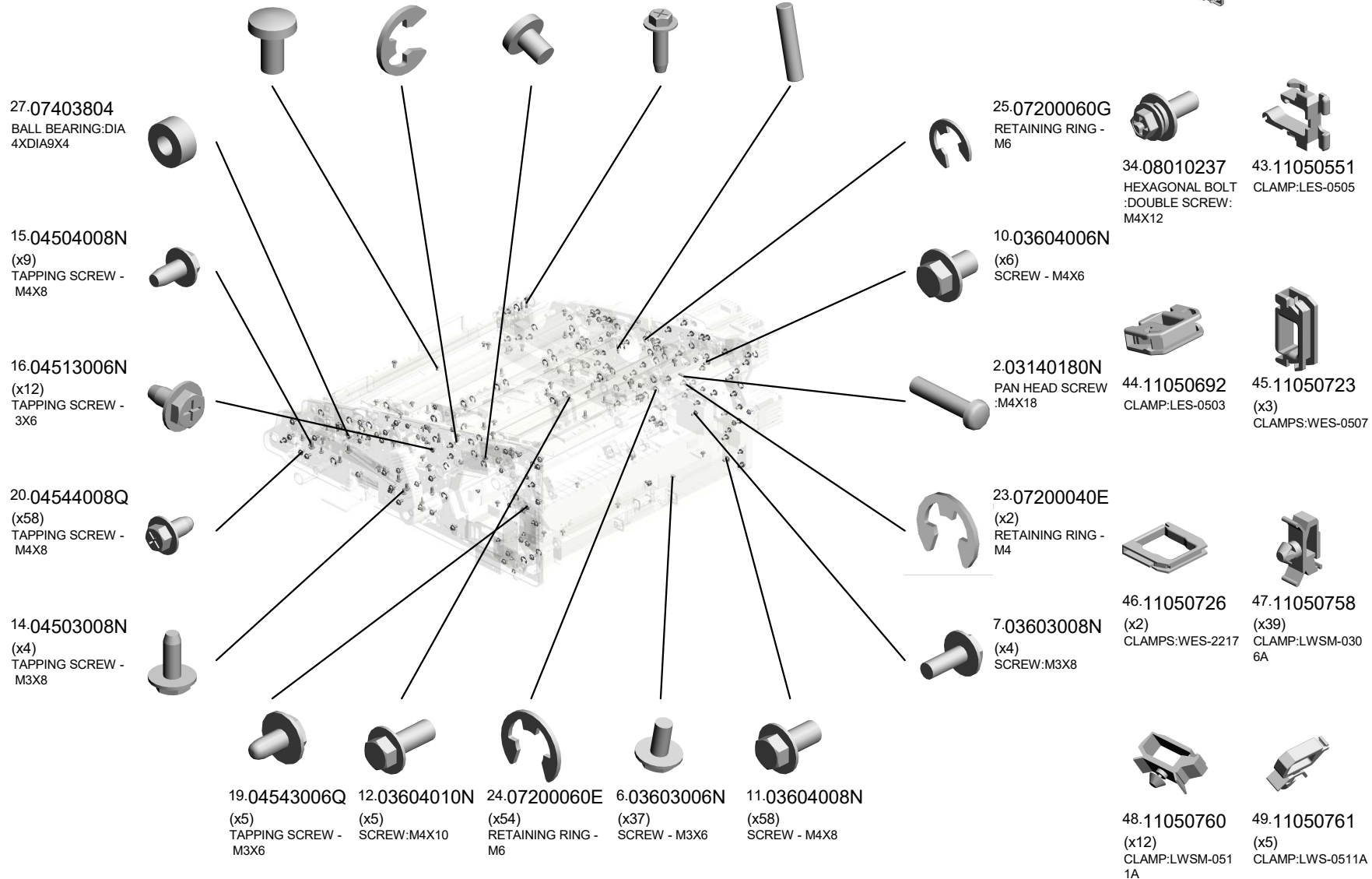
U001	U002	U003	U004	U005	U006	U007	U008	U009	U010	U011	U012	U013	U014	U015	U016	U017	U018	U019	U020
------	------	------	------	------	------	------	------	------	------	------	------	------	------	------	------	------	------	------	------

U011_S002
 TRANSPORT UNIT:ASS'Y

- 5.03530060N (x3) BIND SCREW - M3 X6
- 22.07200030E (x8) RETAINING RING - M3
- 4.03530040N (x7) SCREW - M3X4
- 13.03604014N SCREW - M4X14
- 21.06330140G (x3) PARALLEL PIN - 3X 14



294.D0A52615
 [A]
 TRANSPORT UNIT:
 ASS'Y
 202401-07 O/O

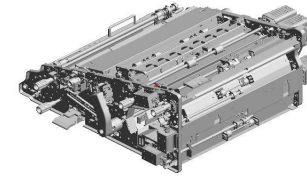


U001	U002	U003	U004	U005	U006	U007	U008	U009	U010	U011	U012	U013	U014	U015	U016	U017	U018	U019	U020
------	------	------	------	------	------	------	------	------	------	------	------	------	------	------	------	------	------	------	------

U011_S002
 TRANSPORT UNIT:ASS'Y

294.D0A52615

[A]
 TRANSPORT UNIT:
 ASS'Y
 202401-07 O/O



- 44.11050692 (x6) CLAMP:LES-0503
- 52.54472681 SNAP RING
- 39.08053573 (x2) RADIAL BALL BEARING: DIA8XDIA16X5
- 47.11050758 (x38) CLAMP:LWSM-030 6A
- 54.AA043634 TIMING BELT - 40S 2M296

- 42.11050534 (x4) CLAMP

- 30.07413706 BALL BEARING - 6 X10X3

- 38.08053263 (x2) BEARING - 6X10X6 MM

- 53.A2574493 BAND

- 28.07403808 (x6) BALL BEARING - 8 X16X5MM

- 37.08050092 (x2) RETAINING RING - 3M
- 34.08010237 (x3) HEXAGONAL BOLT :DOUBLE SCREW: M4X12
- 36.08050089 (x10) RETAINING RING - M4
- 31.07413708 (x3) BALL BEARING - 8 X12X3.5MM
- 35.08050088 (x4) RETAINING RING - M6

- 55.AA043722 SYNCHRONOUS BELT: 80S2M182

- 50.11050763 CLAMP:LWS-1211A

- 106.D0592399 FLANGED HEXAGONAL HEAD BOLT:M 3*4

- 45.11050723 (x7) CLAMPS:WES-0507

- 3.03530030N (x 1) SCREW:M3X3

- 6.03603006N (x 3) SCREW - M3X6

- 33.07433808 (x4) RADIAL BALL BEARING: DIA8XDIA16X5

- 11.03604008N (x11) SCREW - M4X8

- 16.04513006N (x 1) TAPPING SCREW - 3X6

- 19.04543006Q (x 1) TAPPING SCREW - M3X6

- 20.04544008Q (x 2) TAPPING SCREW - M4X8

- 41.09543008N (x3) SCREW - M3X8

- 23.07200040E (x 9) RETAINING RING - M4

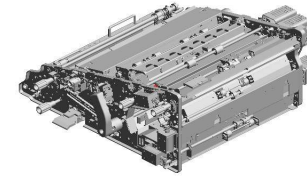
- 32.07423808 (x7) BALL BEARING - 8 X16X5

U001	U002	U003	U004	U005	U006	U007	U008	U009	U010	U011	U012	U013	U014	U015	U016	U017	U018	U019	U020
------	------	------	------	------	------	------	------	------	------	------	------	------	------	------	------	------	------	------	------

U011_S002
 TRANSPORT UNIT:ASS'Y

294.D0A52615

[A]
 TRANSPORT UNIT:
 ASS'Y
 202401-07 O/O



- 70.AA066428 TORSION SPRING: GUIDE PLATE:FRO
NT
- 59.AA061065 (x4) TENSION SPRING: DUPLEX:DRIVEN R
OLLER
- 71.AA080346 (x2) BUSHING:FLANGE
TYPE:DIA6
- 56.AA043723 TIMING BELT:80S2
M200
- 62.AA061250 TENSION SPRING: PRESSURE:TIMING
ROLLER:TRANSFE
R:REAR

77.AA143807
 SCREW:A

63.AA061251
 TENSION SPRING: PRESSURE:TIMING
ROLLER:TRANSFE
R:FRONT

64.AA061253
 (x2)
 TENSION SPRING: PRESSURE:TIMING
ROLLER:REGISTR
ATION

60.AA061097
 TENSION SPRING: DC SOLENOID:ON-
OFF:LARGE CAPA
CITY TRAY

78.AA143811
 (x2)
 STEPPED SCREW
- M3X4

61.AA061098
 TENSION SPRING: DC SOLENOID:ON-
OFF:MAIN

66.AA063678 (x6)
 SPRING - 3.5N

74.AA084059 (x6)
 BALL BEARING HO
LDER

72.AA082104 (x12)
 BUSHING - 8X12X7

68.AA066400 COIL SPRING:PAW
L:OPEN AND CLOS
E

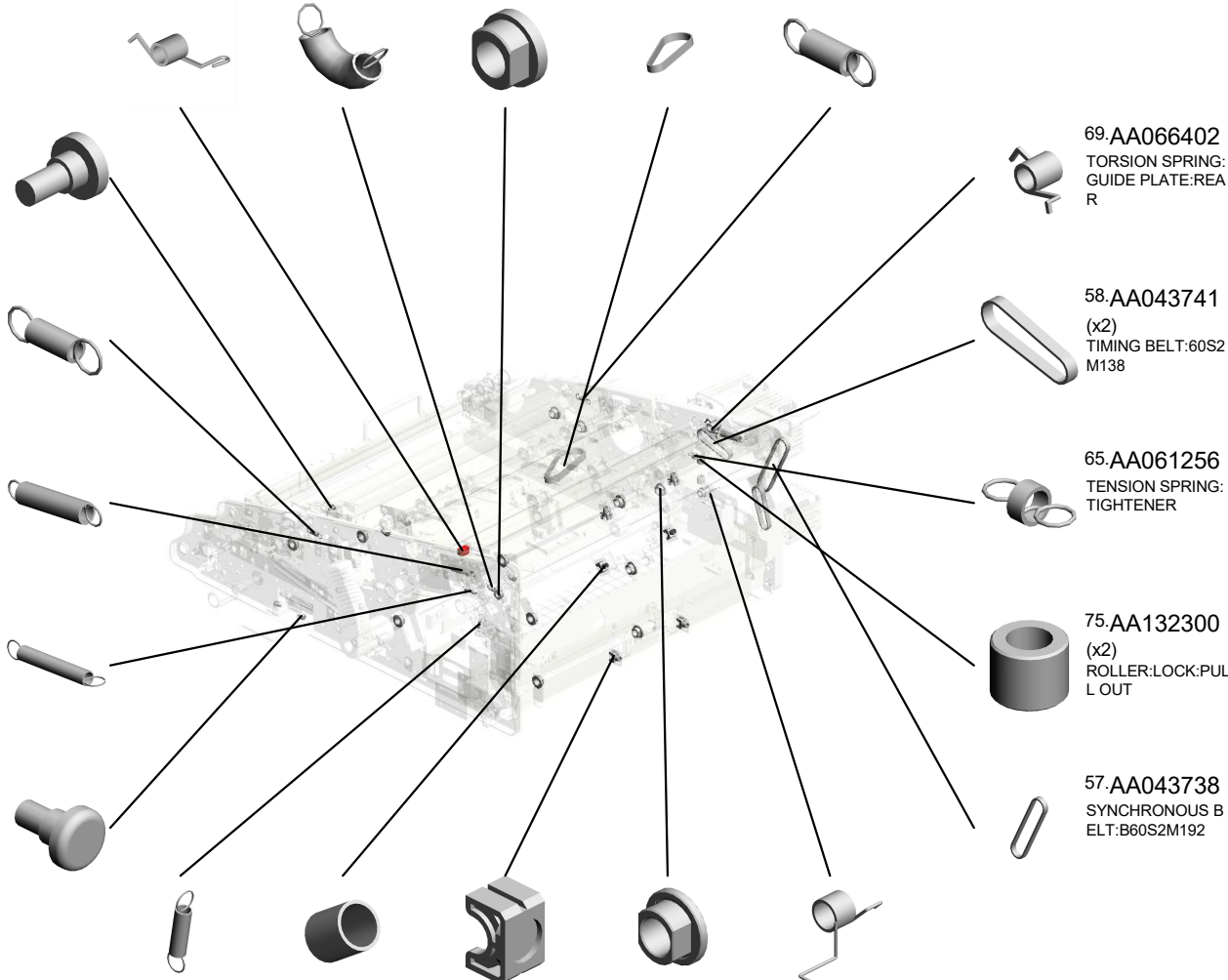
69.AA066402
 TORSION SPRING: GUIDE PLATE:REA
R

58.AA043741
 (x2)
 TIMING BELT:60S2
M138

65.AA061256
 TENSION SPRING: TIGHTENER

75.AA132300
 (x2)
 ROLLER:LOCK:PUL
L OUT

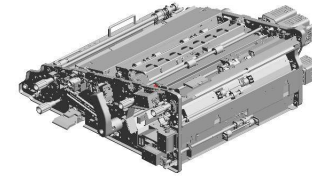
57.AA043738
 SYNCHRONOUS B
ELT:B60S2M192



U001	U002	U003	U004	U005	U006	U007	U008	U009	U010	U011	U012	U013	U014	U015	U016	U017	U018	U019	U020
------	------	------	------	------	------	------	------	------	------	------	------	------	------	------	------	------	------	------	------

U011_S002 TRANSPORT UNIT:ASS'Y

- 92.AW020209 ENCODER:PAPER THICK
- 97.AZ310032 POWER PACK:D
- 90.AG051141 RELEASE LEVER
- 89.AG050100 (x4) KNOB - TRANSPOR T ROLLER
- 95.AX040307 STEPPER MOTOR: MM56:TRANSPORT



294.D0A52615
[A]
TRANSPORT UNIT:
ASS'Y
202401-07 O/O

100.B1322366
(x2)
LEVER:DRUM STA
Y:LEFT

84.AB030846
TIMING PULLEY:S2
M:22T

79.AA143812
SCREW - SCALE

93.AW020217
(x2)
OPTICS SENSOR:E
NCODER:300LPI

86.AF022067
(x2)
GUIDE STOPPER R
OLLER

81.AA161157
(x2)
BRACKET CUSHIO
N

88.AF022178
(x2)
TRANSPORT ROLL
ER:DRIVEN:DIA17.
7X2:INNER

91.AG070513
MAGNET CATCH

87.AF022167
TRANSPORT ROLL
ER - DRIVEN

99.B1321221
HOLDER:SPRING:P
ULL OUT

96.AX060517
DC STEPPER MOT
OR:MM56XL76

82.AA161180
(x2)
CUSHION:DC STEP
PER MOTOR

94.AX040196
STEPPER MOTOR:
PAPER TRANSPOR
T MD:MM56

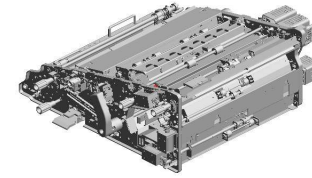
83.AB014243
GEAR:IDLER:Z30

98.B1321183
BRACKET:LOCK

U001	U002	U003	U004	U005	U006	U007	U008	U009	U010	U011	U012	U013	U014	U015	U016	U017	U018	U019	U020
------	------	------	------	------	------	------	------	------	------	------	------	------	------	------	------	------	------	------	------

U011_S002
 TRANSPORT UNIT:ASS'Y

- 114.D0742715 BRACKET:SOLENOID ID:PEEN
- 117.D0742750 STAY:SOLENOID
- 106.D0592399 (x4) FLANGED HEXAGONAL HEAD BOLT:M 3*4
- 112.D0742681 SHAFT:CAM:SHIFT
- 115.D0742739 (x4) PRESSURE ROLLER:TRANSPORT ROLLER:SHIFT:DRIVEN



294.D0A52615
 [A]
 TRANSPORT UNIT:
 ASS'Y
 202401-07 O/O

102.B2344858
 (x2)
 DRIVEN ROLLER HOLDER



116.D0742744
 HOLDER:SHIFT:BEARING:FRONT



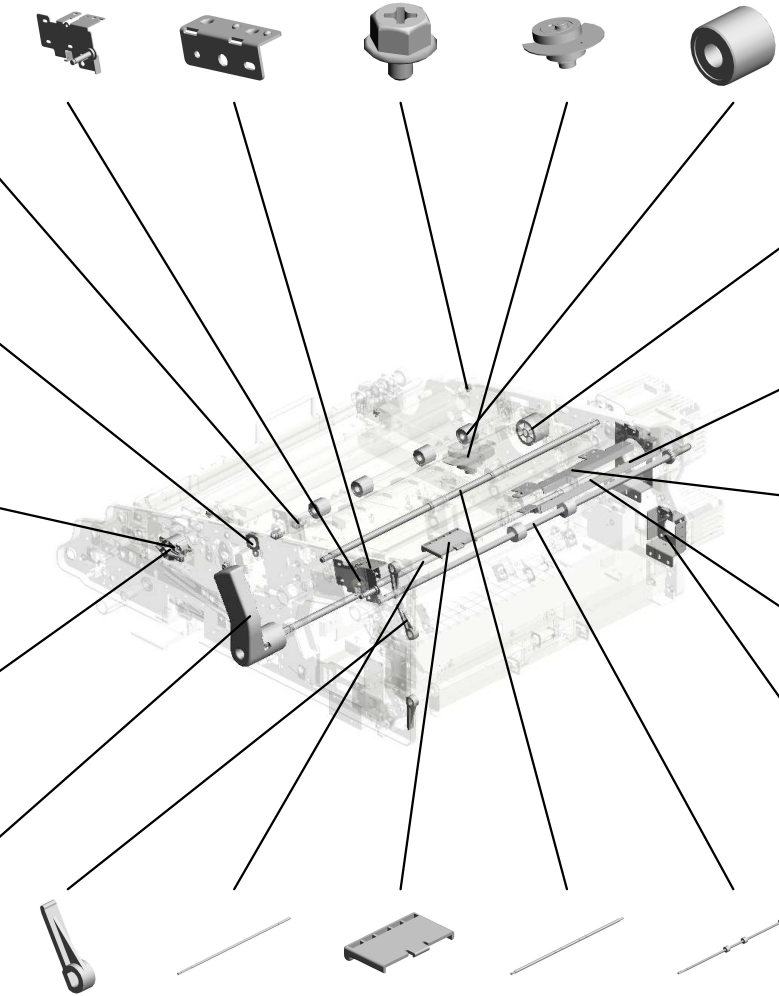
109.D0741369
 COVER:ENCODER



101.B2236171
 RUBBER BUSHING:ENCODER



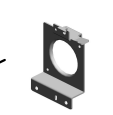
107.D0741179
 LEVER:PULL OUT:REGISTRATION



105.BB013040
 GEAR:SHIFT:ROLLER:Z30



120.D0742769
 BRACKET:DC STEPPER MOTOR:REGISTRATION ROLLER:TIMING



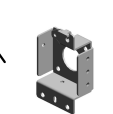
119.D0742757
 HOLDER:SENSOR:CONNECTING:LCT:NO.2



118.D0742756
 HOLDER:SENSOR:CONNECTING:LCT:NO.1



110.D0742634
 BRACKET:DC STEPPER MOTOR:MM4 2:REGISTRATION:ENTRANCE

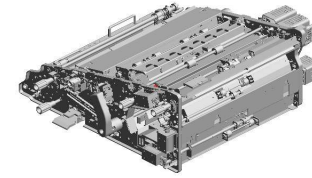


- 111.D0742652 (x3) LEVER:LINK:TRANSPORT ROLLER
- 108.D0741194 SHAFT:LOCK:TRANSPORT UNIT
- 103.B2346424 RELEASE GRIP
- 121.D0742771 SHAFT:REGISTRATION ROLLER:TIMING:DRIVEN
- 113.D0742711 TRANSPORT ROLLER:CONNECTING:LARGE CAPACITY T RAY

U001	U002	U003	U004	U005	U006	U007	U008	U009	U010	U011	U012	U013	U014	U015	U016	U017	U018	U019	U020
------	------	------	------	------	------	------	------	------	------	------	------	------	------	------	------	------	------	------	------

U011_S002
 TRANSPORT UNIT:ASS'Y

- 142.D0742935 GUIDE:DUPLX:OPEN AND CLOSE:RIGHT:LOWER
- 126.D0742818 FIX STAND:GUIDE PLATE:REAR
- 141.D0742934 SHAFT:ON-OFF: LARGE CAPACITY TRAY:CONNECTING
- 144.D0742941 TIMING PULLEY:S2 M:30T
- 134.D0742908 BRACKET:DC STEPPER MOTOR:DUPLX:RIGHT



294.D0A52615
 [A]
 TRANSPORT UNIT:
 ASS'Y
 202401-07 O/O

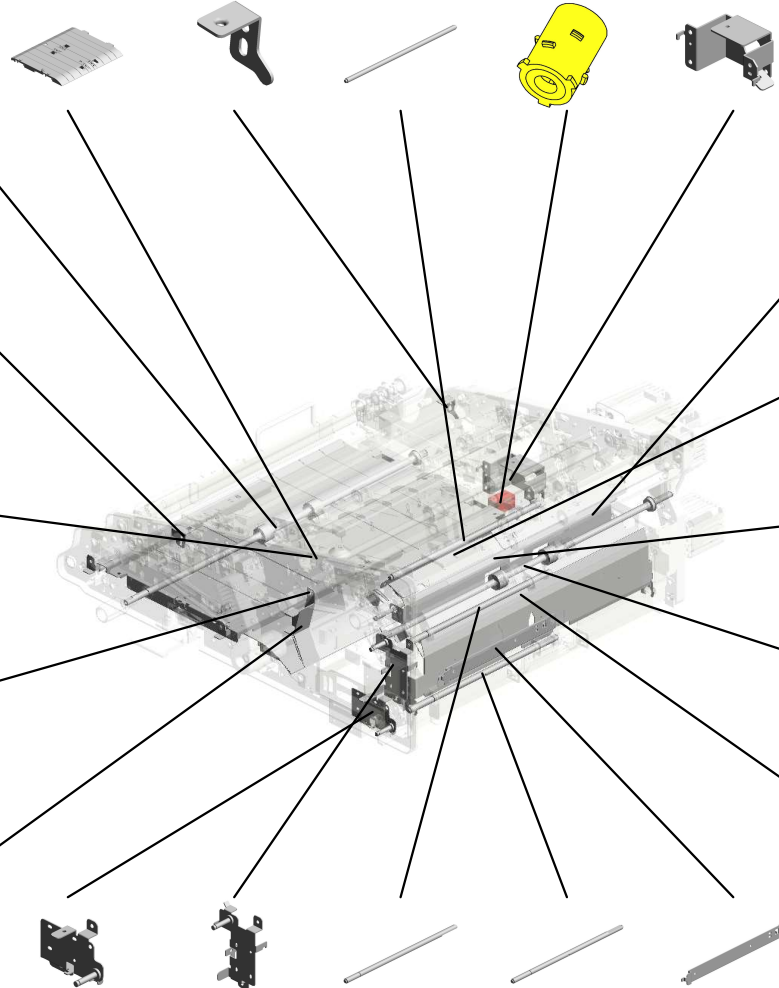
131.D0742882
 TRANSPORT ROLLER:DUPLX:RIGHT: NO.1:PRESS FIT

122.D0742773
 FIX STAND:GUIDE PLATE:TIMING:TRANSFER:EXIT

127.D0742864
 GUIDE PLATE:DUPLX:RIGHT:UPPER

135.D0742912
 (x2)
 BRACKET:SENSOR:DUPLX:SHORT

125.D0742809
 COVER:HARNESS: PAPER FEED UNIT: FRONT



136.D0742924
 COVER:HARNESS

138.D0742929
 BRACKET:SENSOR:VERTICAL TRANSPORT:NO.3

129.D0742876
 SHAFT:LOCK:GUIDE PLATE

130.D0742881
 TRANSPORT ROLLER:REGISTRATION:ENTRANCE:DRIVE:PRESS FIT

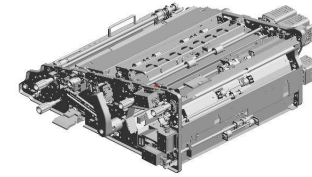
128.D0742873
 GUIDE PLATE:PULL OUT:RIGHT:VERTICAL TRANSPORT

- 133.D0742899 HOLDER:DC SOLENOID:VERTICAL TRANSPORT:LOWER:PEEN
- 132.D0742896 HOLDER:DC SOLENOID:VERTICAL TRANSPORT:UPPER
- 140.D0742931 SHAFT:LINK:ON-OFF:VERTICAL TRANSPORT:UPPER
- 139.D0742930 SHAFT:LINK:ON-OFF:VERTICAL TRANSPORT:LOWER
- 137.D0742926 BRACKET:SENSOR:VERTICAL TRANSPORT:NO.2

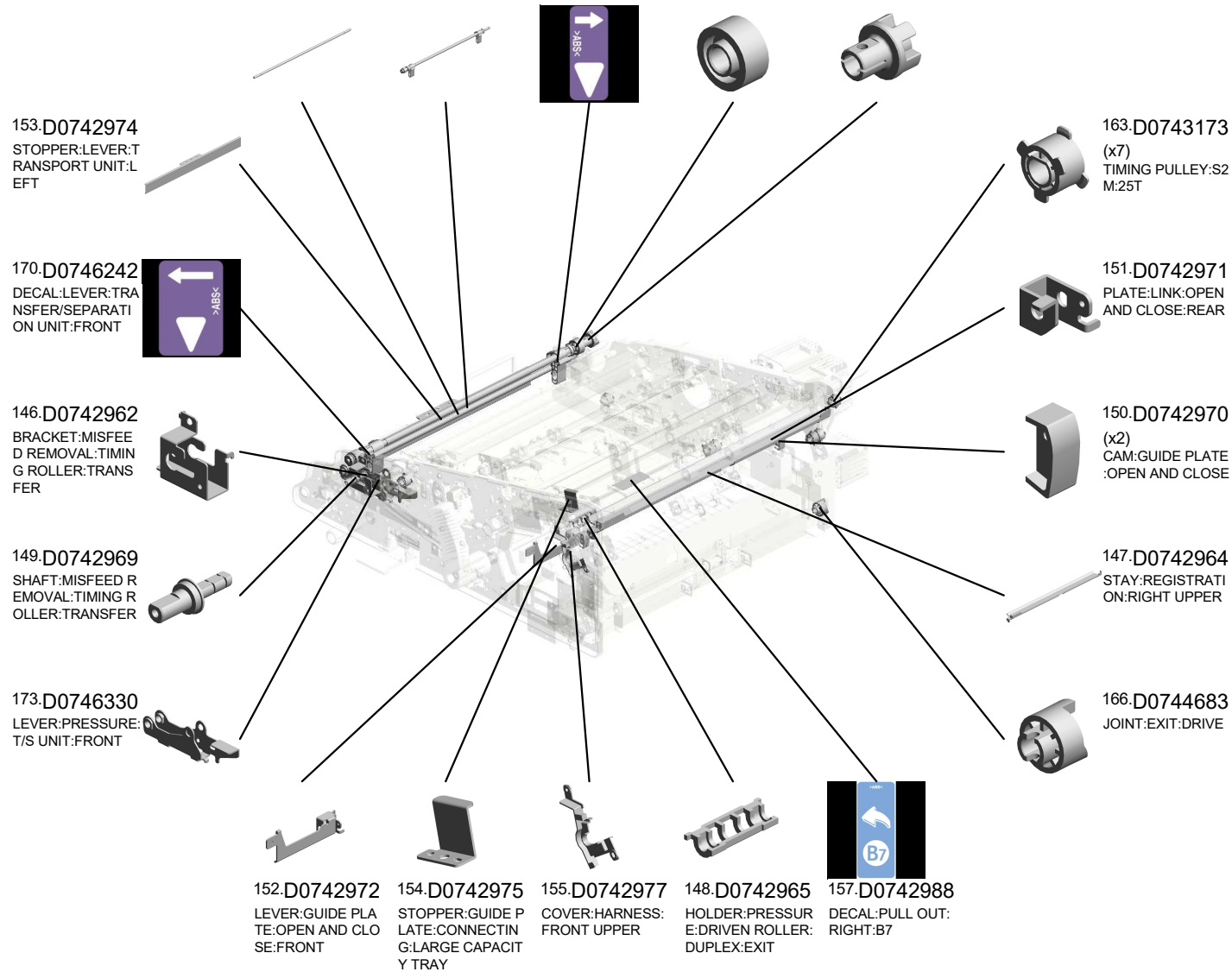
U001	U002	U003	U004	U005	U006	U007	U008	U009	U010	U011	U012	U013	U014	U015	U016	U017	U018	U019	U020
------	------	------	------	------	------	------	------	------	------	------	------	------	------	------	------	------	------	------	------

U011_S002 TRANSPORT UNIT:ASS'Y

- 174.D0746333 SHAFT:LEVER:PRESSURE:TRANSFER ROLLER
- 169.D0746240 SHAFT:CONTACT POINT:T/S UNIT
- 171.D0746243 DECAL:LEVER:TRANSFER/SEPARATION UNIT:REAR
- 172.D0746324 GEAR:DRIVE:TRANSFER/SEPARATION UNIT
- 168.D0746238 JOINT:TRANSFER:DRIVE



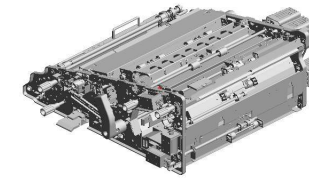
294.D0A52615
[A]
TRANSPORT UNIT:
ASS'Y
202401-07 O/O



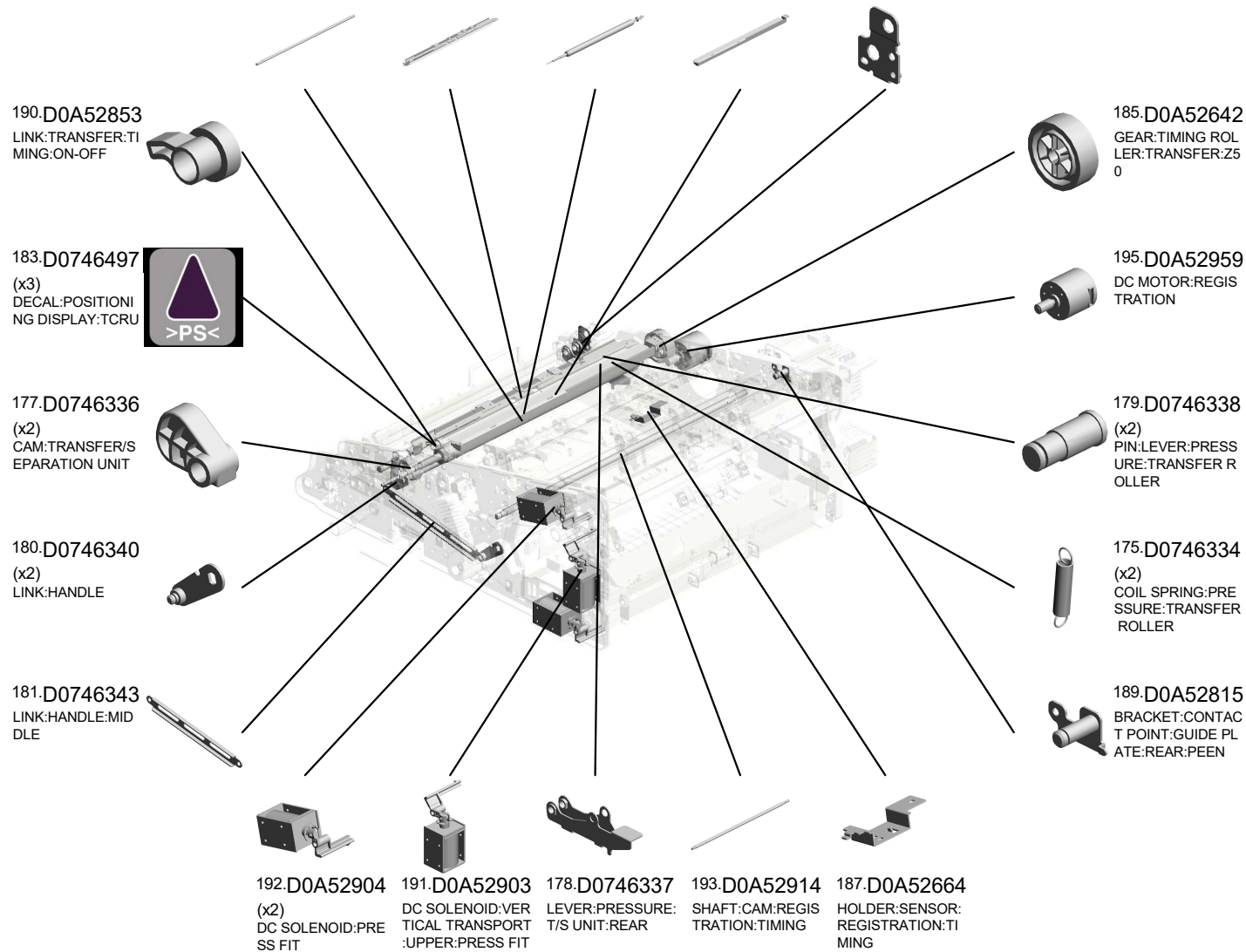
U001	U002	U003	U004	U005	U006	U007	U008	U009	U010	U011	U012	U013	U014	U015	U016	U017	U018	U019	U020
------	------	------	------	------	------	------	------	------	------	------	------	------	------	------	------	------	------	------	------

U011_S002 TRANSPORT UNIT:ASS'Y

- 176.D0746335 SHAFT:CAM:TRANSFER/SEPARATION UNIT
- 194.D0A52950 GUIDE PLATE:TIMING:TRANSFER:PEEN
- 188.D0A52751 TIMING ROLLER:TRANSFER:DRIVE:PRESS FIT
- 186.D0A52654 CASE:REMOVE PARTICULATE DUST:ASS'Y
- 182.D0746349 BRACKET:SHAFT:CONTACT POINT:TRANSFER ROLLER



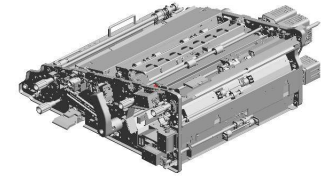
294.D0A52615
[A]
TRANSPORT UNIT:ASS'Y
202401-07 O/O



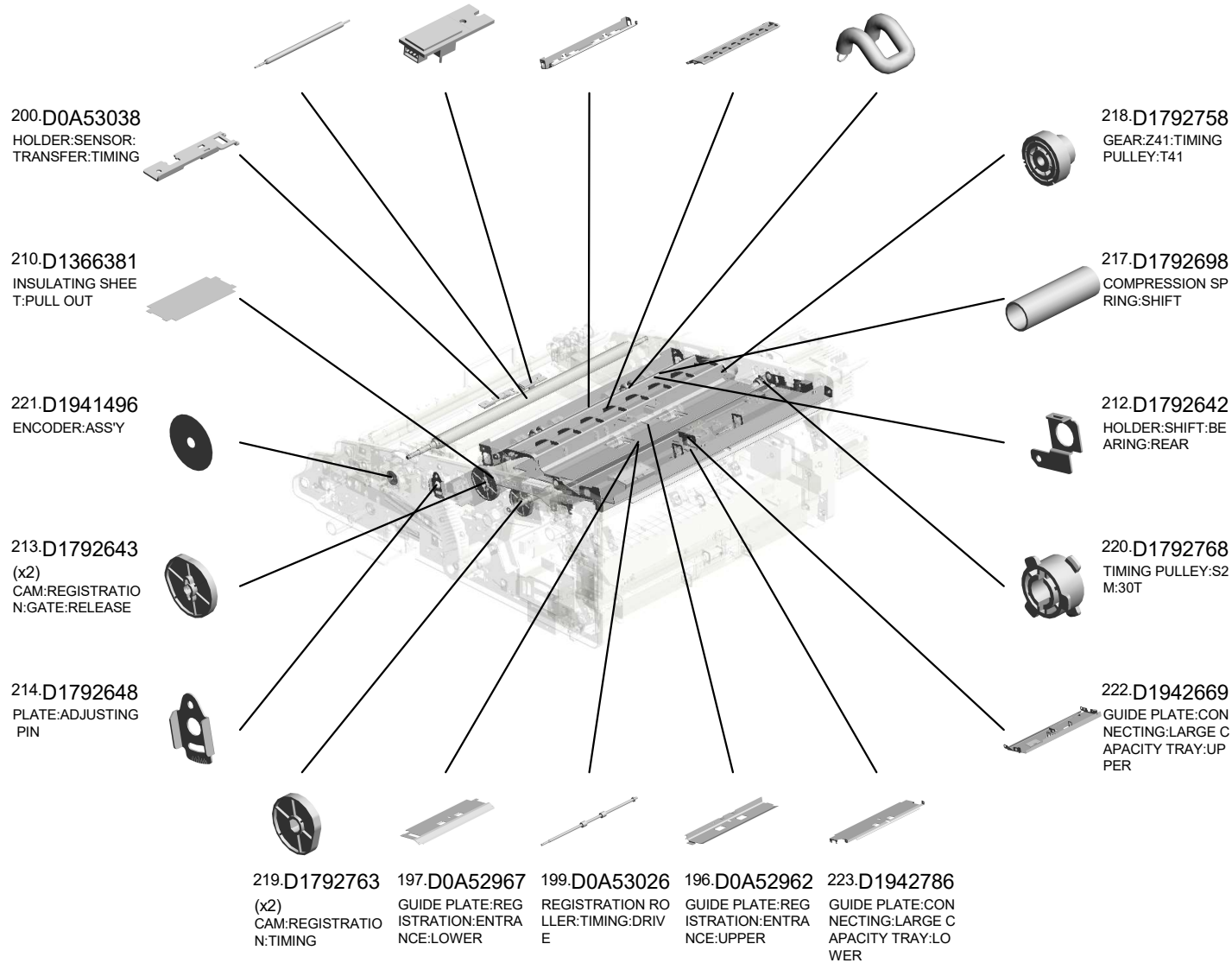
U001	U002	U003	U004	U005	U006	U007	U008	U009	U010	U011	U012	U013	U014	U015	U016	U017	U018	U019	U020
------	------	------	------	------	------	------	------	------	------	------	------	------	------	------	------	------	------	------	------

U011_S002
 TRANSPORT UNIT:ASS'Y

- 198.D0A53014 TIMING ROLLER:TRANSFER:DRIVEN:PRESS FIT
- 207.D0A55490 PCB:TACT_SNS
- 211.D1792631 GUIDE PLATE:SHIFT:REGISTRATION:UPPER
- 215.D1792684 REGISTRATION GUIDE:OPEN AND CLOSE
- 216.D1792691 (x2) TENSION SPRING:PRESSURE ROLLER



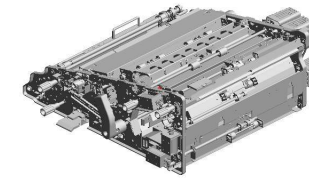
294.D0A52615
 [A]
 TRANSPORT UNIT:
 ASS'Y
 202401-07 O/O



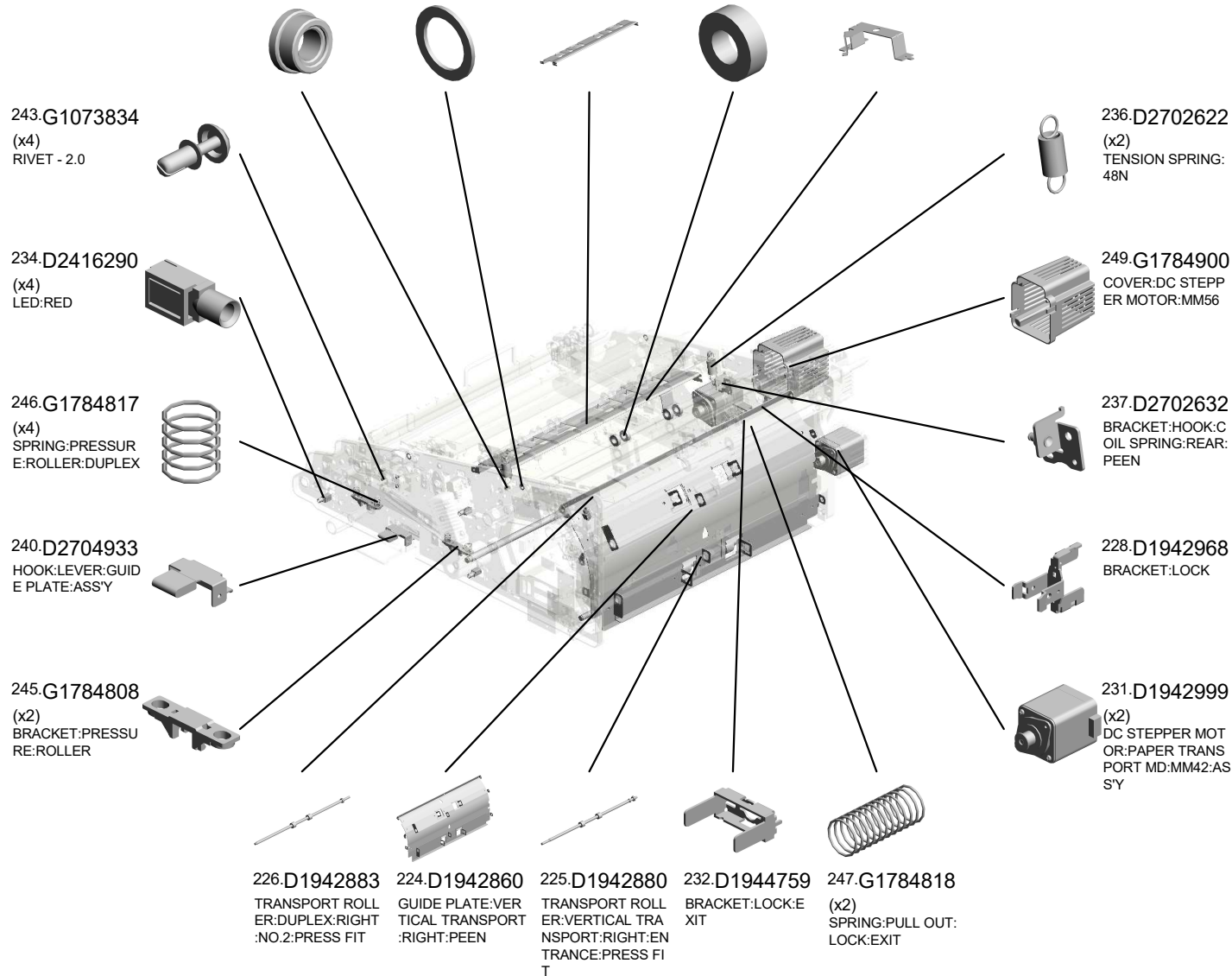
U001	U002	U003	U004	U005	U006	U007	U008	U009	U010	U011	U012	U013	U014	U015	U016	U017	U018	U019	U020
------	------	------	------	------	------	------	------	------	------	------	------	------	------	------	------	------	------	------	------

U011_S002
 TRANSPORT UNIT:ASS'Y

- 239.D2702637 (x4) COLOR:4M
- 242.G0603293 (x4) SPACER:6.1X8.5X0.5
- 238.D2702636 GUIDE PLATE:SHIF T:REGISTRATION:L OWER
- 241.G0602296 (x4) BALL BEARING:8X1 6X5MM
- 227.D1942945 HOLDER:CAM:SHIF T



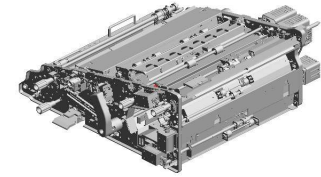
294.D0A52615
 [A]
 TRANSPORT UNIT:
 ASS'Y
 202401-07 O/O



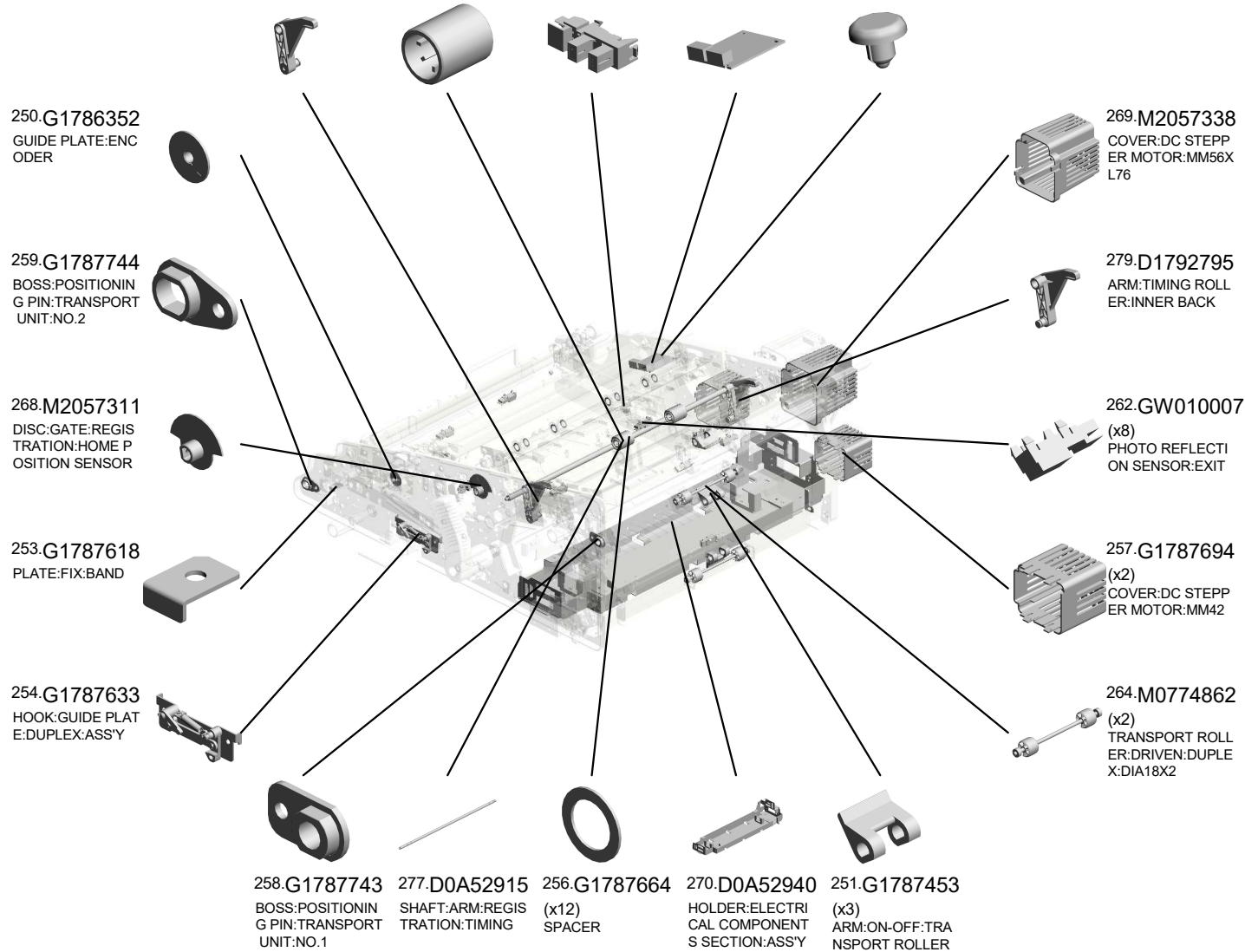
U001	U002	U003	U004	U005	U006	U007	U008	U009	U010	U011	U012	U013	U014	U015	U016	U017	U018	U019	U020
------	------	------	------	------	------	------	------	------	------	------	------	------	------	------	------	------	------	------	------

U011_S002
 TRANSPORT UNIT:ASS'Y

278.D1792793 255.G1787660 263.GW020022 271.D0A55472 273.11050837
 ARM:TIMING ROLL (x2) PCB:SSB_R (x3)
 ER:FRONT (x2) PRESSURE ROLLE R:TRANSPORT ROLLER OR:LG2A24BL1 201907-10 X/O RIVETS:P3035-W



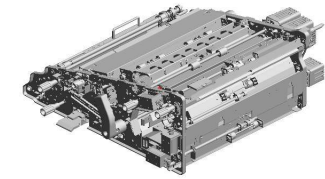
294.D0A52615
 [A]
 TRANSPORT UNIT:
 ASS'Y
 202401-07 O/O



U001	U002	U003	U004	U005	U006	U007	U008	U009	U010	U011	U012	U013	U014	U015	U016	U017	U018	U019	U020
------	------	------	------	------	------	------	------	------	------	------	------	------	------	------	------	------	------	------	------

U011_S002
 TRANSPORT UNIT:ASS'Y

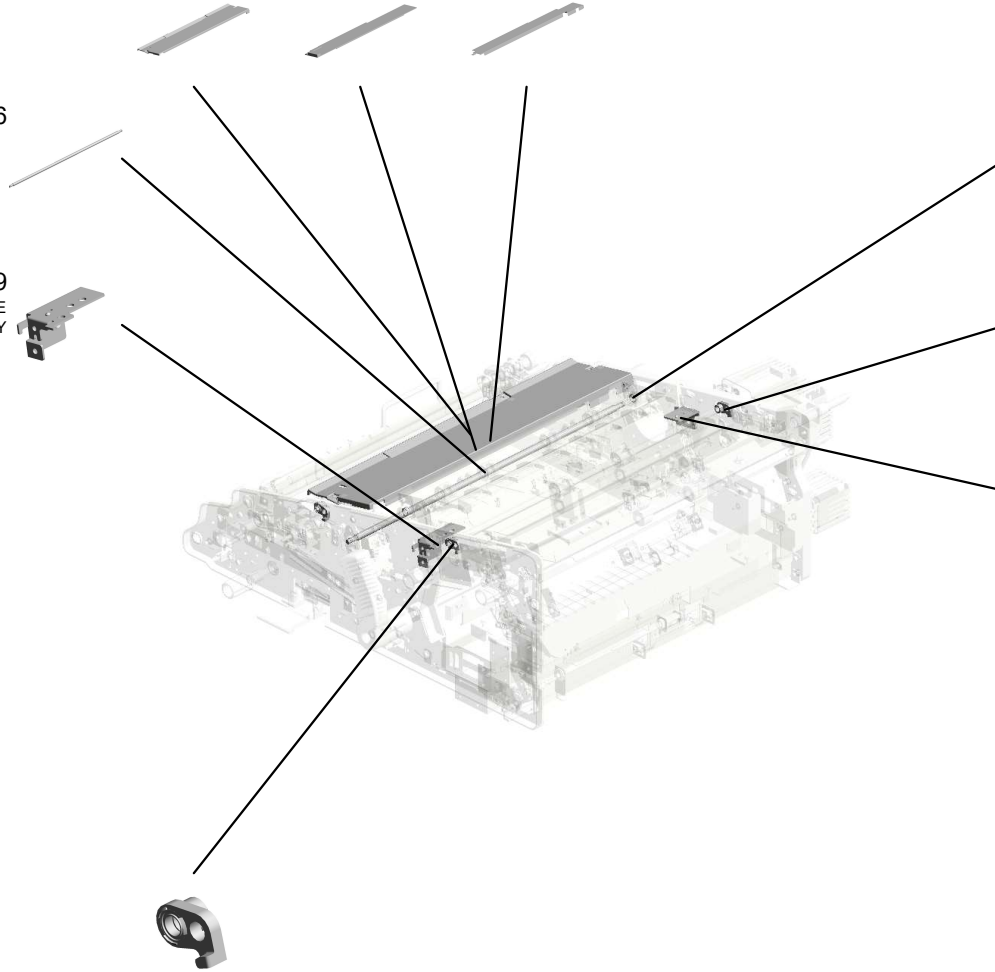
282.D0A52780 296.D0A55475 293.D0A53035
 COVER:TRANSFER PCB:CRB-R COVER:CRB
 :TIMING:UPPER 202401-06 X/O



294.D0A52615
 [A]
 TRANSPORT UNIT:
 ASS'Y
 202401-07 O/O

280.D0A52916
 SHAFT:SHIFT

292.D0A52769
 PLATE:SIDE PLATE
 :FRONT:AUXILIARY
 :PEEN



297.G0703088
 (x2)
 SPACER:DEVELOP
 MENT ROLLER

290.M0EB4671
 (x2)
 RADIAL BALL BEA
 RING:REGISTRATI
 ON:DRIVEN:REAR
 202301-04 O/O

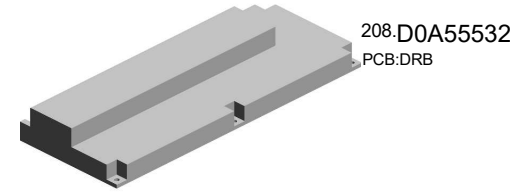
291.D0A52760
 PLATE:SIDE PLATE
 :REAR:AUXILIARY

289.M0EB4670
 (x2)
 RADIAL BALL BEA
 RING:REGISTRATI
 ON:DRIVEN:FRONT
 202301-05 O/O

D0A52614
 [A]
 TRANSPORT UNIT:
 ASS'Y
 202401-07 O/O

U001	U002	U003	U004	U005	U006	U007	U008	U009	U010	U011	U012	U013	U014	U015	U016	U017	U018	U019	U020
------	------	------	------	------	------	------	------	------	------	------	------	------	------	------	------	------	------	------	------

U011_S002_S001
PCB:DRB



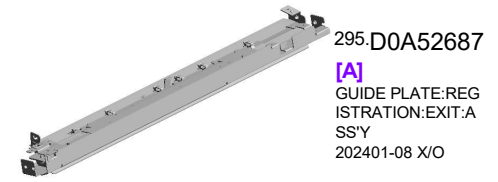
40.09503006N(x 2)
SCREW:SPRING WASHER:M3X6

U001	U002	U003	U004	U005	U006	U007	U008	U009	U010	U011	U012	U013	U014	U015	U016	U017	U018	U019	U020
------	------	------	------	------	------	------	------	------	------	------	------	------	------	------	------	------	------	------	------

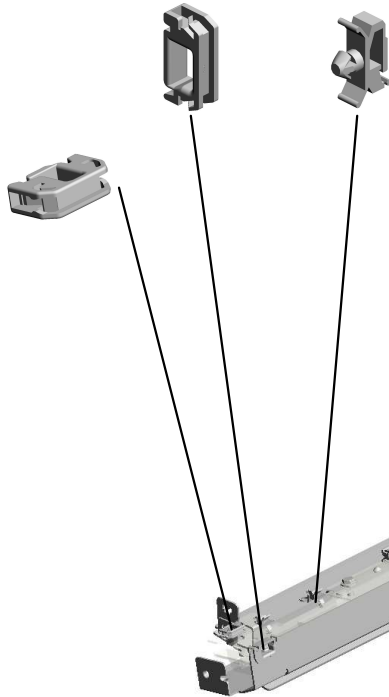
U011_S002_S002

GUIDE PLATE:REGISTRATION:EXIT:ASS'Y

45.11050723 47.11050758
CLAMPS:WES-0507 (x7)
CLAMP:LWSM-030
6A



44.11050692
CLAMP:LES-0503



6.03603006N
(x2)
SCREW - M3X6



274.D0A52980
GUIDE PLATE:REGISTRATION:EXIT:PEEN



D0A52686
[A]
GUIDE PLATE:REGISTRATION:EXIT:ASS'Y
202401-08 X/O

U001	U002	U003	U004	U005	U006	U007	U008	U009	U010	U011	U012	U013	U014	U015	U016	U017	U018	U019	U020
------	------	------	------	------	------	------	------	------	------	------	------	------	------	------	------	------	------	------	------

U011_S002_S002_S001
CONTACT IMAGE SENSOR:ASS'Y

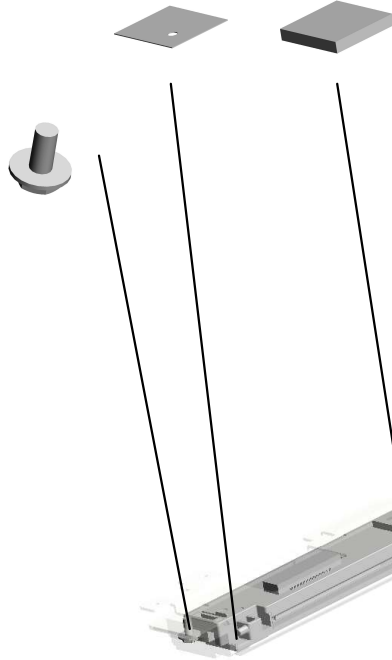
272.D0A53015 REFLECTANCE TA
RGETS SHEET:CO
NTACT IMAGE SEN
SOR:CORRECT

288.D0A57605 HEAT CONDUCTIV
E SHEET:CONTAC
T IMAGE SENSOR:
COOLING
202204-03



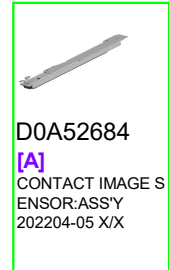
284.D0A52685
[A]
CONTACT IMAGE S
ENSOR:ASS'Y
202204-05 X/X

6.03603006N
(x2)
SCREW - M3X6



287.D0A57601
CONTACT IMAGE S
ENSOR:FA4CFC-02
-50
202204-01 X/X

283.D1942963
SHIELD GLASS:CO
NTACT IMAGE SEN
SOR:GING



D0A52684
[A]
CONTACT IMAGE S
ENSOR:ASS'Y
202204-05 X/X

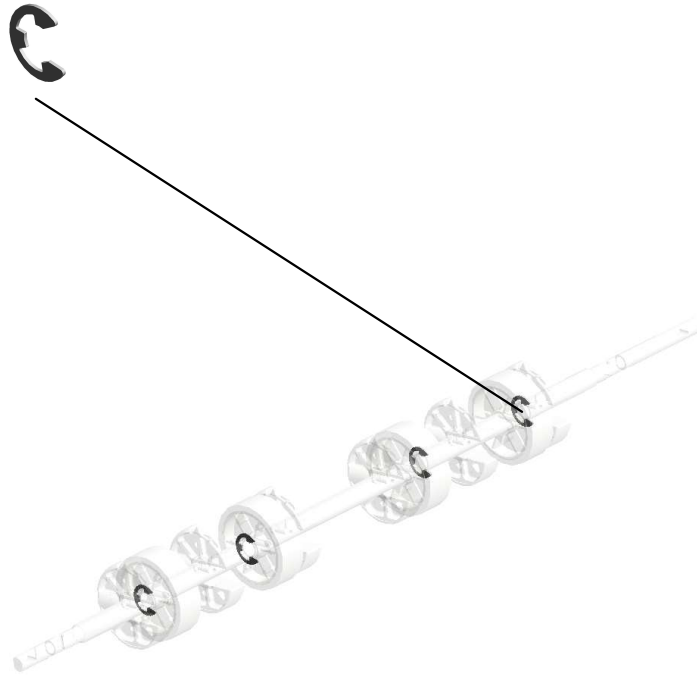
U001	U002	U003	U004	U005	U006	U007	U008	U009	U010	U011	U012	U013	U014	U015	U016	U017	U018	U019	U020
------	------	------	------	------	------	------	------	------	------	------	------	------	------	------	------	------	------	------	------

U011_S002_S003
REGISTRATION ROLLER:GATE:ASS'Y

26.07200080E
(x4)
RETAINING RING -
M8



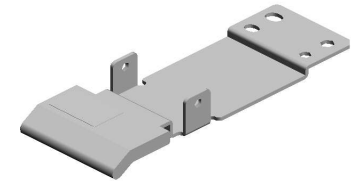
267.M2057305
REGISTRATION RO
LLER:GATE:ASSY



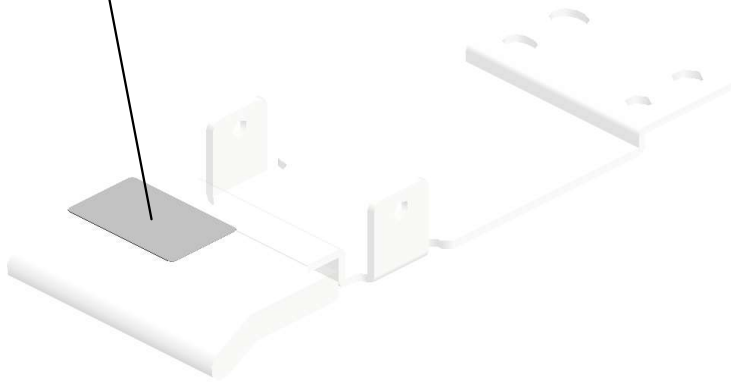
U001	U002	U003	U004	U005	U006	U007	U008	U009	U010	U011	U012	U013	U014	U015	U016	U017	U018	U019	U020
------	------	------	------	------	------	------	------	------	------	------	------	------	------	------	------	------	------	------	------

U011_S002_S004
LEVER:GUIDE PLATE

158.D0742990
DECAL:PULL OUT:
RIGHT:Z4



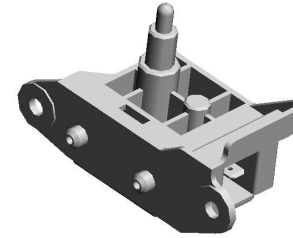
156.D0742979
LEVER:GUIDE PLATE



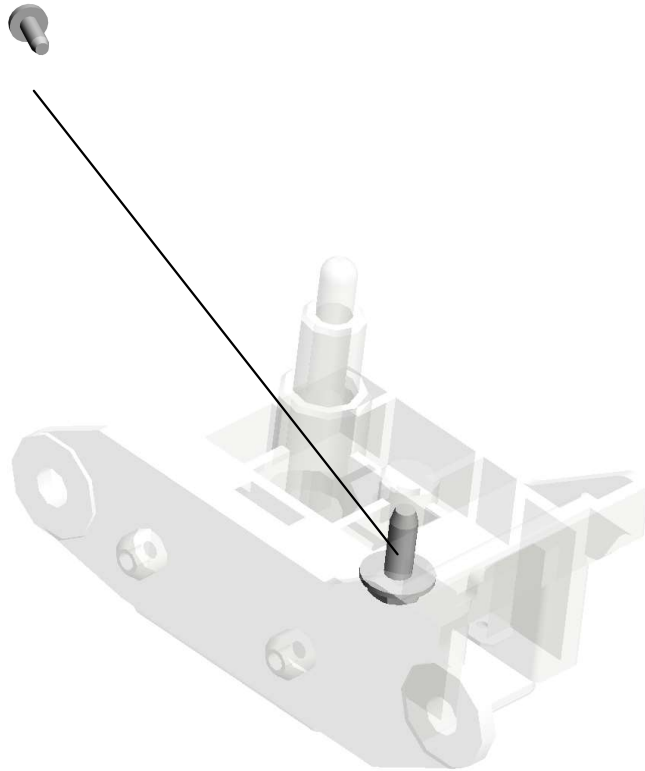
U001	U002	U003	U004	U005	U006	U007	U008	U009	U010	U011	U012	U013	U014	U015	U016	U017	U018	U019	U020
------	------	------	------	------	------	------	------	------	------	------	------	------	------	------	------	------	------	------	------

U011_S002_S005
CASE:TERMINAL:SEPARATION:ASS'Y

18.04523008N
TAPPING SCREW -
M3X8



167.D0746230
CASE:TERMINAL:SEPARATION:ASS'Y



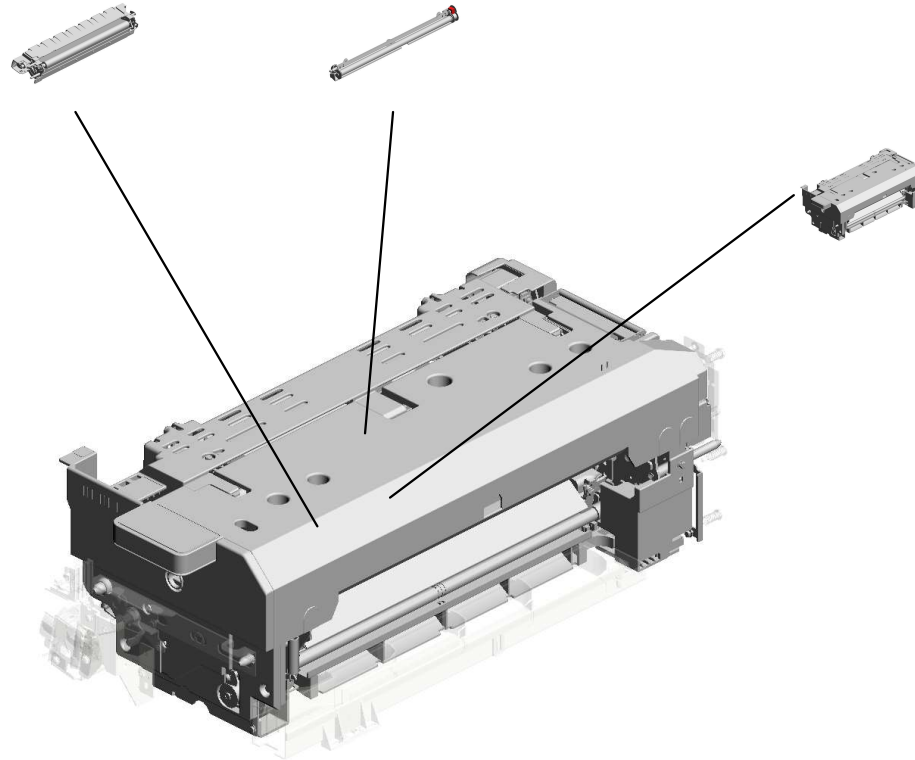
U001	U002	U003	U004	U005	U006	U007	U008	U009	U010	U011	U012	U013	U014	U015	U016	U017	U018	U019	U020
------	------	------	------	------	------	------	------	------	------	------	------	------	------	------	------	------	------	------	------

U012.FUSING:(C7200+/C7210+)

U012 S001
D0A54250
WEB:CLEANING UNIT:ASS'Y:
(C7200+/C7210+)

U012 S002
D0A54352
ROLLER:POLISH:ASS'Y

U012 S003
D0A54027
(EU/AA/TWN/KOR/CHN):FUSI
NG UNIT:230V:ASS'Y



U001	U002	U003	U004	U005	U006	U007	U008	U009	U010	U011	U012	U013	U014	U015	U016	U017	U018	U019	U020
------	------	------	------	------	------	------	------	------	------	------	------	------	------	------	------	------	------	------	------

U012_S001.WEB:CLEANING UNIT:ASS'Y:(C7200+/C7210+)

U012 S001 S001
D0744325
COVER:WEB:CLEANING FEL
T



U001	U002	U003	U004	U005	U006	U007	U008	U009	U010	U011	U012	U013	U014	U015	U016	U017	U018	U019	U020
------	------	------	------	------	------	------	------	------	------	------	------	------	------	------	------	------	------	------	------

U012_S003.(EU/AA/TWN/KOR/CHN):FUSING UNIT:230V:ASS'Y

U012_S003_S003
D0A54202
SEPARATION SUB-UNIT:FUSI
NG:ASS'Y

U012_S003_S002
D0A54192
SIDE PLATE:HEAT ROLLER:F
RONT:PRESS FIT:(C7200+/C7
210+)

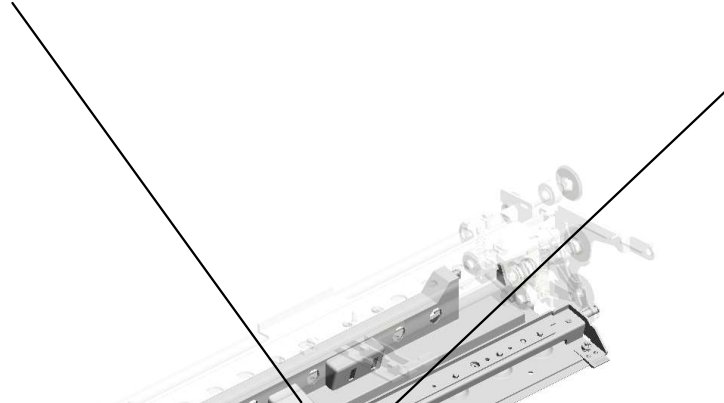
U012_S003_S001
D0A54252
FUSING COVER:UPPER:SUB-
ASS'Y:(C7200+/C7210+)

U012_S003_S004
D0A54091
PRESSURE SUB-UNIT:STRIP
PER PLATE:ASS'Y:(C7200+/C
7210+)

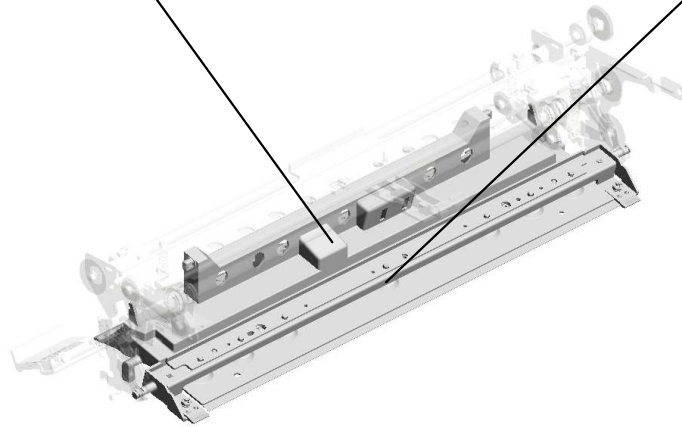
U001	U002	U003	U004	U005	U006	U007	U008	U009	U010	U011	U012	U013	U014	U015	U016	U017	U018	U019	U020
------	------	------	------	------	------	------	------	------	------	------	------	------	------	------	------	------	------	------	------

U012_S003_S003.SEPARATION SUB-UNIT:FUSING:ASS'Y

U012 S003 S003 S002
D0A54224
GUIDE PLATE:FUSING EXIT:
UPPER:ASS'Y

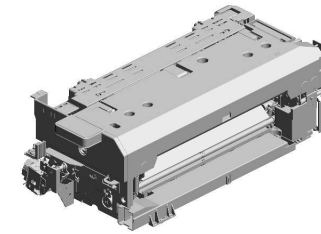


U012 S003 S003 S001
D0A54208
SERVICE PARTS:STRIPPER
PLATE:ASS'Y



U001	U002	U003	U004	U005	U006	U007	U008	U009	U010	U011	U012	U013	U014	U015	U016	U017	U018	U019	U020
------	------	------	------	------	------	------	------	------	------	------	------	------	------	------	------	------	------	------	------

U012
FUSING:(C7200+/C7210+)



- 90.B2342390 FLANGED HEXAGONAL HEAD BOLT:M 4X8
- 18.08050089 (x2) RETAINING RING - M4
- 61.AB011523 GEAR - 24Z
- 43.AA066397 TORSION SPRING: WEB:MECHANICAL DRIVE SECTION
- 10.07200060E (x2) RETAINING RING - M6

17.08046123
HEXAGONAL BOLT :W/WASHER:M3X8

2.03603006N
(x11)
SCREW - M3X6

89.B2234317
STEPPER MOTOR:
DC24V 24.3W

62.AB011524
GEAR - 36Z

63.AB011526
GEAR - 24Z

32.53041639
(x2)
BUSHING - 8MM

4.04543006Q
(x2)
TAPPING SCREW - M3X6

79.AW010200
PAPER FEED SENS
OR:FUSING EXIT

28.11050741
(x2)
CLAMP:LWSM-060
6-2.4M

3.04514008N
(x5)
TAPPING SCREW:4
X8

131.D0744350
BRACKET:DRAWER:
FUSING SECTIO
N:24

24.11050511
(x6)
HARNES CLAMP -
LWS-0306ZC

132.D0744351
(x4)
STEPPED SCREW:
DIA5.4DIA:DIA3.5:M
3

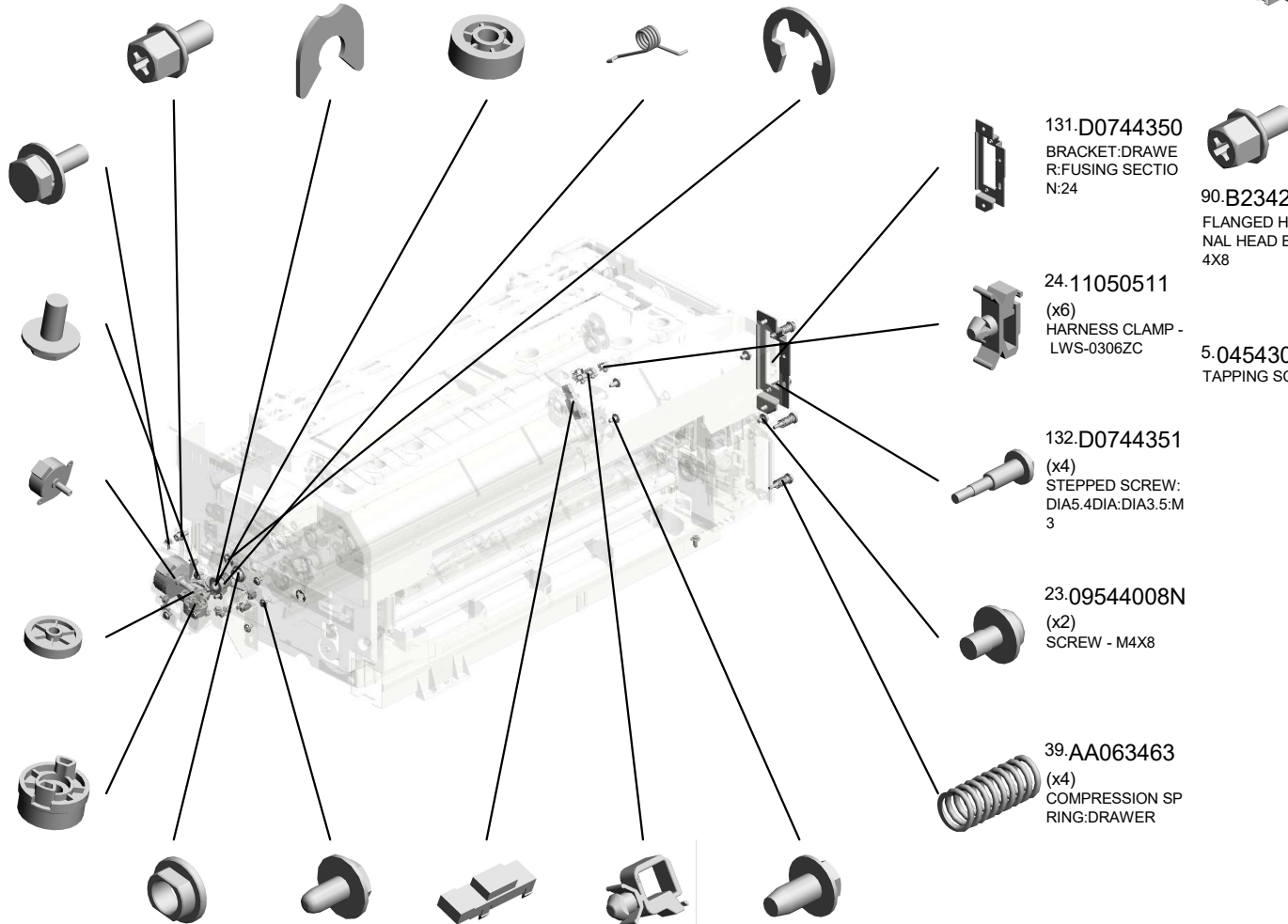
23.09544008N
(x2)
SCREW - M4X8

39.AA063463
(x4)
COMPRESSION SP
RING:DRAWER



90.B2342390
FLANGED HEXAGONAL HEAD BOLT:M 4X8

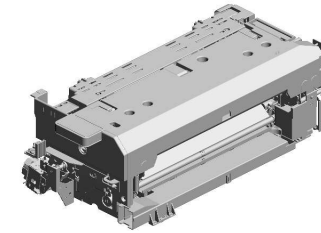
5.04543008Q (x 2)
TAPPING SCREW:3X8



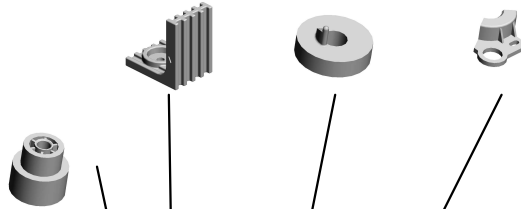
U001	U002	U003	U004	U005	U006	U007	U008	U009	U010	U011	U012	U013	U014	U015	U016	U017	U018	U019	U020
------	------	------	------	------	------	------	------	------	------	------	------	------	------	------	------	------	------	------	------

U012
FUSING:(C7200+/C7210+)

138.D0744371 GRIP:SLIDER:FUSI
NG
133.D0744352 JOINT:GEAR:WEB:
DRIVE
134.D0744353 COVER:GEAR:JOIN
T



135.D0744354
GEAR:SLOW DOWN:
WORM GEAR



136.D0744356
BRACKET:LEVER:
WEB:DRIVE SUB-UNIT



190.D0A54348
HOLDER:FUSING UNIT:
HEATER:(C7200+/C7210+)



142.D0744399
DUCT:PRESSURE:
CONNECTING:B



141.M0EB4398
DUCT:PRESSURE:
CONNECTING:A
202312-05 O/O



137.D0744364 BRACKET:WEB:CL
EANING
219.GW020022 PHOTOINTERRUPT
OR:LG2A24BL1



U001	U002	U003	U004	U005	U006	U007	U008	U009	U010	U011	U012	U013	U014	U015	U016	U017	U018	U019	U020
------	------	------	------	------	------	------	------	------	------	------	------	------	------	------	------	------	------	------	------

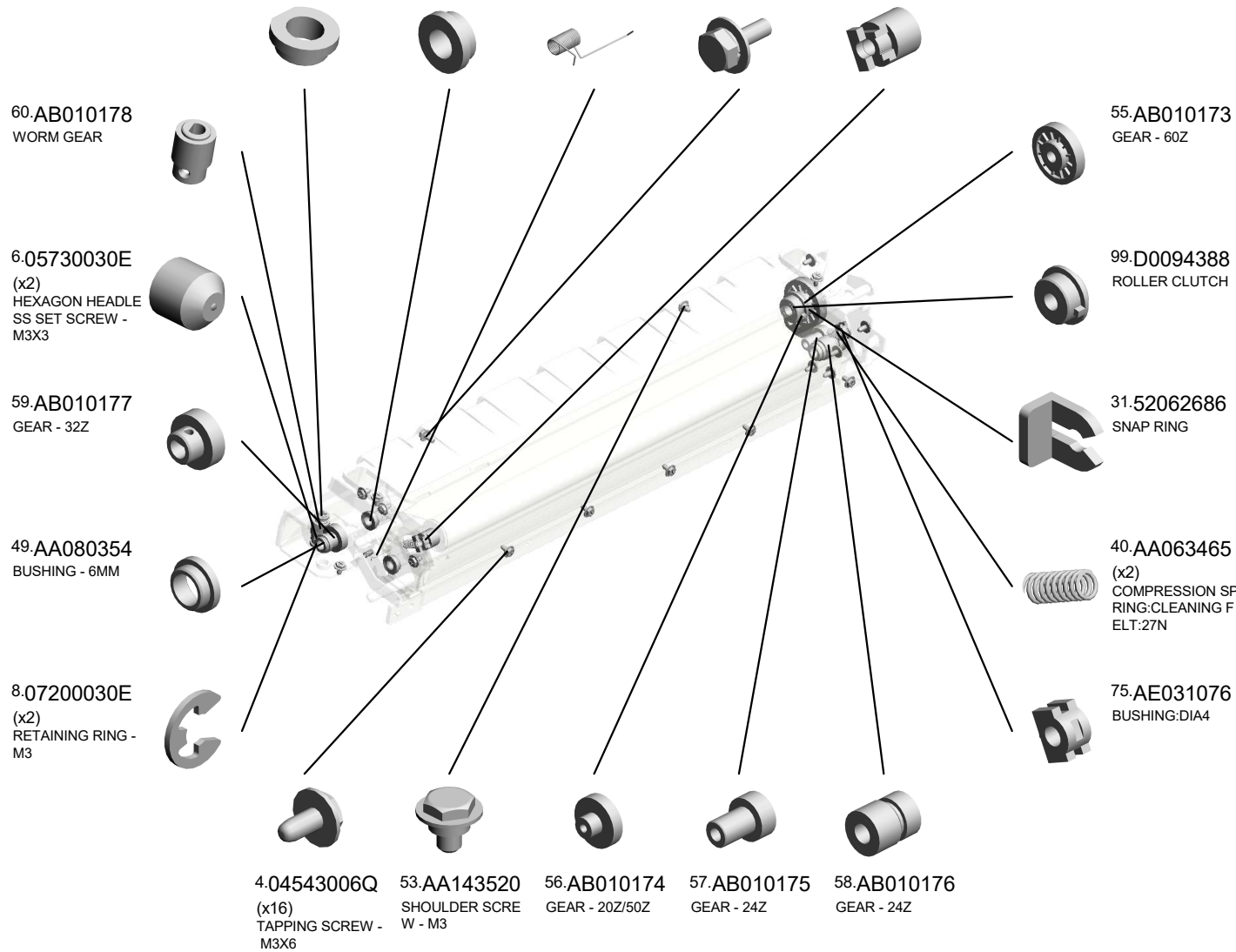
U012_S001

WEB:CLEANING UNIT:ASS'Y:(C7200+/C7210+)

- 50.AA080355 (x2) BUSHING - 7MM
- 51.AA080356 (x4) BUSHING - 6MM
- 44.AA066401 TORSION SPRING: FEELER
- 17.08046123 HEXAGONAL BOLT :W/WASHER:M3X8
- 74.AE031075 PLAIN SHAFT BEARING: DIA4:MECHANICAL ROLLER CLUTCH



177.D0A54250
WEB:CLEANING UNIT:ASS'Y:(C7200+/C7210+)



U001	U002	U003	U004	U005	U006	U007	U008	U009	U010	U011	U012	U013	U014	U015	U016	U017	U018	U019	U020
------	------	------	------	------	------	------	------	------	------	------	------	------	------	------	------	------	------	------	------

U012_S001

WEB:CLEANING UNIT:ASS'Y:(C7200+/C7210+)

196.D1794337 127.D0744303 231.AE045073
RING:WEB:CLEANING FEELER:CLEANING WEB:SUB-ASS'Y
202211-01 O/O



177.D0A54250
WEB:CLEANING UNIT:ASS'Y:(C7200+/C7210+)

173.D0A54242
BRACKET:FRONT:WEB:(C7200+/C7210+)



128.D0744304
SHAFT:WORM GEAR:SUB-ASS'Y



172.D0A54237
BRACKET:REAR:WEB:PEEN:(C7200+/C7210+)



233.M0EB4343
ROLLER:PLATE 202301-06 O/O



203.D1944172
BRAKE:WEB



195.D1294331
FLAT NUT:BRAKE



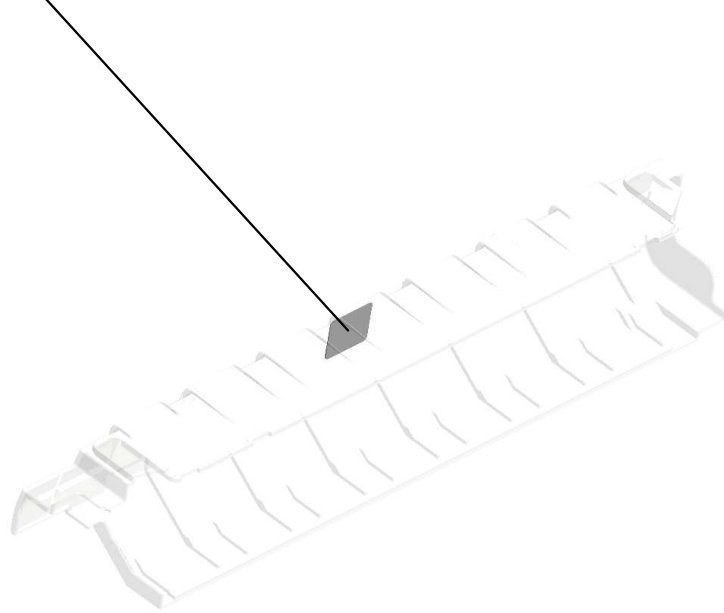
U001	U002	U003	U004	U005	U006	U007	U008	U009	U010	U011	U012	U013	U014	U015	U016	U017	U018	U019	U020
------	------	------	------	------	------	------	------	------	------	------	------	------	------	------	------	------	------	------	------

U012_S001_S001
COVER:WEB:CLEANING FELT

139.D0744380
DECAL:H-TEMP W
ARNING:FUSING:W
EB



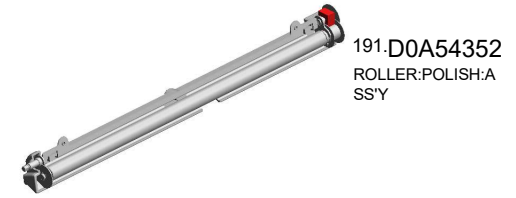
129.D0744325
COVER:WEB:CLEA
NING FELT



U001	U002	U003	U004	U005	U006	U007	U008	U009	U010	U011	U012	U013	U014	U015	U016	U017	U018	U019	U020
------	------	------	------	------	------	------	------	------	------	------	------	------	------	------	------	------	------	------	------

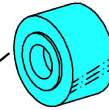
U012_S002
 ROLLER:POLISH:ASS'Y

20.09543006N 215.D1944325 147.D0A53990
 SCREW - M3X6 COVER:ROLLER:POLISH:PRINTING ROLLER:POLISH



191.D0A54352
 ROLLER:POLISH:ASS'Y

15.07413506
 (x2)
 BALL BEARING - 6
 X12X4 MM



66.AB012207
 GEAR:POLISH:ROLLER:A



64.AB012203
 GEAR:DRIVE:ROLLER:FUSING:B



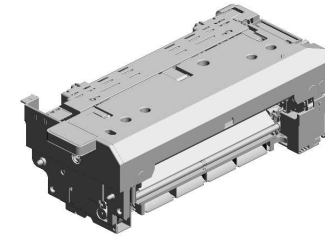
9.07200040E
 (x4)
 RETAINING RING -
 M4

U001	U002	U003	U004	U005	U006	U007	U008	U009	U010	U011	U012	U013	U014	U015	U016	U017	U018	U019	U020
------	------	------	------	------	------	------	------	------	------	------	------	------	------	------	------	------	------	------	------

U012_S003

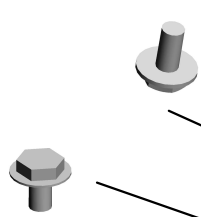
(EU/AA/TWN/KOR/CHN):FUSING UNIT:230V:ASS'Y

- 2.03603006N (x88) SCREW - M3X6
- 9.07200040E (x14) RETAINING RING - M4
- 15.07413506 BALL BEARING - 6 X12X4 MM
- 10.07200060E (x6) RETAINING RING - M6
- 16.07413706 (x2) BALL BEARING - 6 X10X3



239.D0A54027
 [A]
 (EU/AA/TWN/KOR/CHN):FUSING UNIT :230V:ASS'Y
 202402-09 O/O

1.03603005P (x2) SCREW:M3X5



25.11050692 CLAMP:LES-0503



12.07250220E RETAINING RING - M22



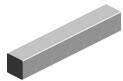
13.07250250E RETAINING RING C - M25



14.07403906 (x4) BALL BEARING - 6 X15X5



19.09300404A (x2) PARALLEL KEY:4X 4X25



17.08046123 (x44) HEXAGONAL BOLT :W/WASHER:M3X8



11.07250200E (x3) RETAINING RING C - M20



21.09543010N (x2) SCREW:POLISHED ROUND/SPRING:M 3X10



22.09543012N SCREW - M3X12



7.07074080N BUSHING:DIA4X8



17.08046123 HEXAGONAL BOLT :W/WASHER:M3X8



29.11050744 CLAMP:F-LWS-071



8.07200030E (x2) RETAINING RING - M3



26.11050713 (x3) CLAMP:LWSM-030 6H GRAY



29.11050744 CLAMP:F-LWS-071



27.11050723 CLAMPS:WES-0507



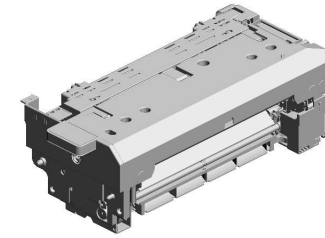
- 2.03603006N (x 7) SCREW - M3X6
- 8.07200030E (x 1) RETAINING RING - M3
- 9.07200040E (x 2) RETAINING RING - M4
- 10.07200060E (x 2) RETAINING RING - M6
- 11.07250200E (x 1) RETAINING RING C - M20
- 12.07250220E (x 1) RETAINING RING - M22
- 21.09543010N (x 1) SCREW:POLISHED ROUND/SPRING:M 3X10

U001	U002	U003	U004	U005	U006	U007	U008	U009	U010	U011	U012	U013	U014	U015	U016	U017	U018	U019	U020
------	------	------	------	------	------	------	------	------	------	------	------	------	------	------	------	------	------	------	------

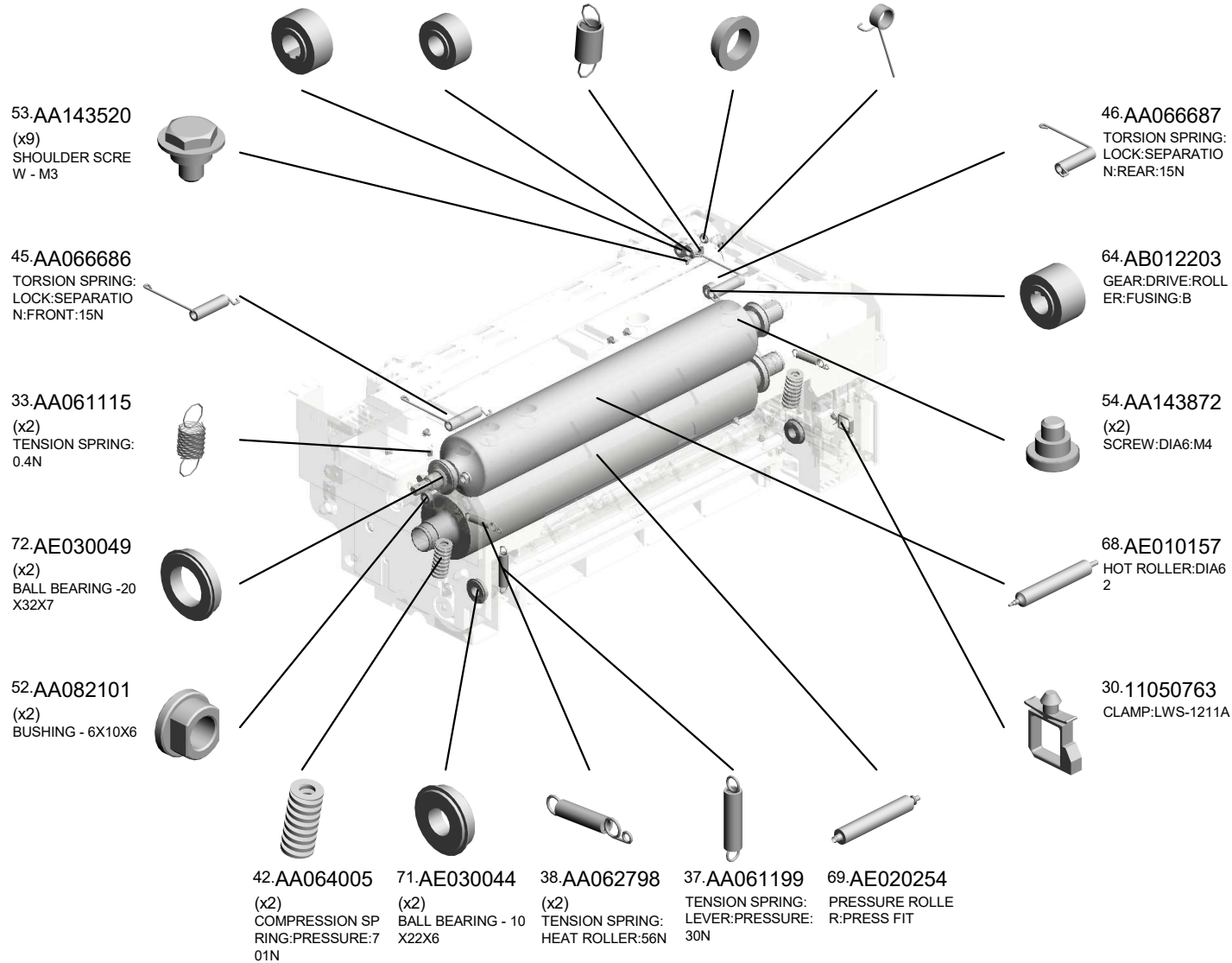
U012_S003

(EU/AA/TWN/KOR/CHN):FUSING UNIT:230V:ASS'Y

- 67.AB012214 GEAR.POLISH.ROLLER:A
- 65.AB012205 GEAR.IDLER:ON-OFF
- 36.AA061164 TENSION SPRING:GEAR:ON-OFF
- 48.AA080247 (x2) BUSHING - B-F6-3
- 47.AA066691 TORSION SPRING:GRIP



239.D0A54027
 [A]
 (EU/AA/TWN/KOR/CHN):FUSING UNIT:230V:ASS'Y
 202402-09 O/O

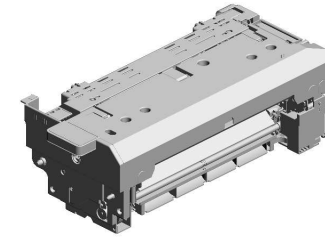


U001	U002	U003	U004	U005	U006	U007	U008	U009	U010	U011	U012	U013	U014	U015	U016	U017	U018	U019	U020
------	------	------	------	------	------	------	------	------	------	------	------	------	------	------	------	------	------	------	------

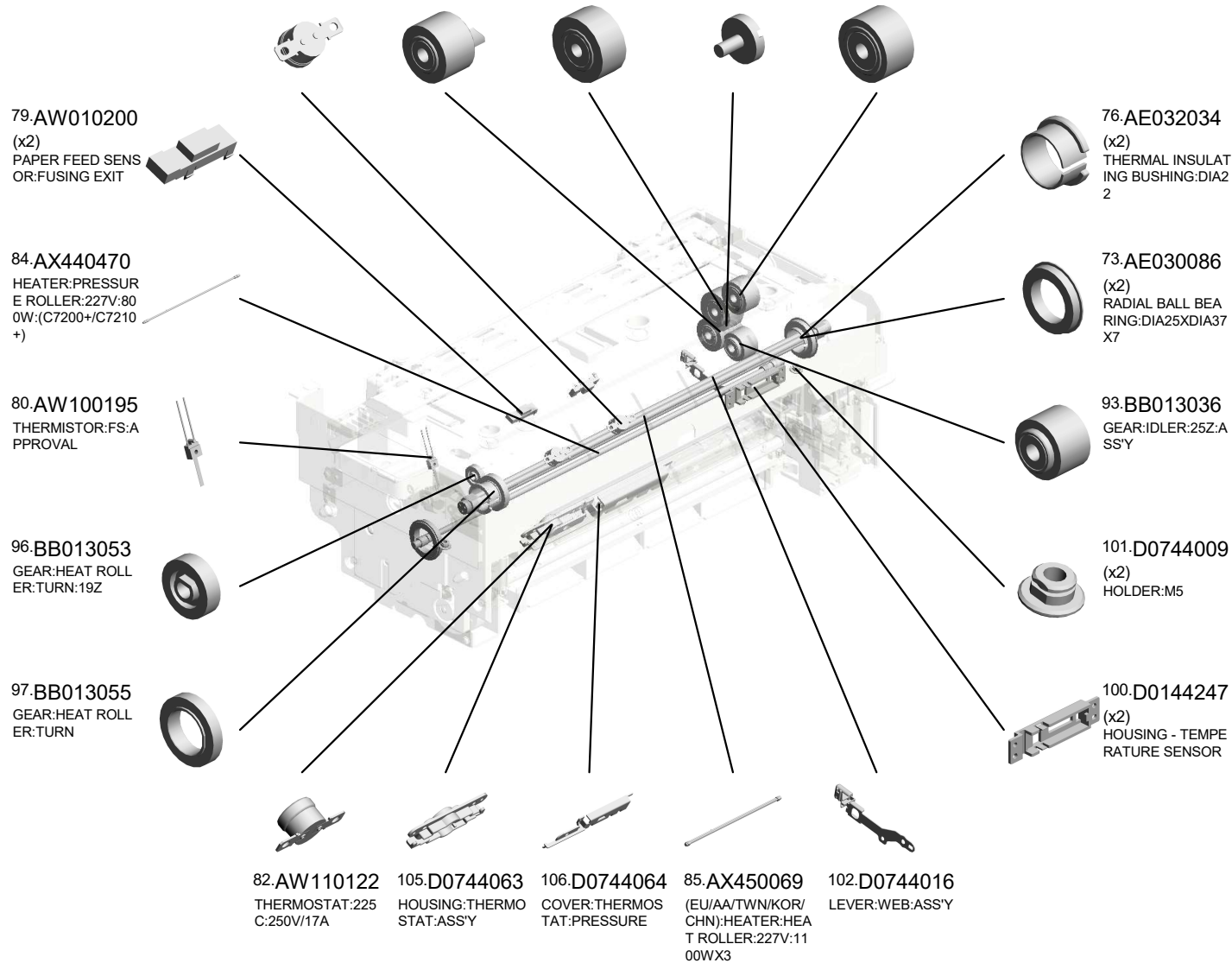
U012_S003

(EU/AA/TWN/KOR/CHN):FUSING UNIT:230V:ASS'Y

- 81.AW110052 (x2) THERMOSTAT:211 C
- 95.BB013052 GEAR:JOINT:PRESSURE:ASS'Y
- 92.BB013028 GEAR:IDLER:35Z:ASS'Y
- 98.C2382873 ADJUSTING SCREW
- 94.BB013051 GEAR:IDLER:31Z:ASS'Y



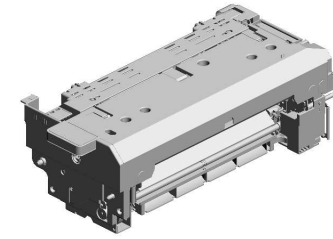
239.D0A54027
 [A]
 (EU/AA/TWN/KOR/CHN):FUSING UNIT:230V:ASS'Y
 202402-09 O/O



U001	U002	U003	U004	U005	U006	U007	U008	U009	U010	U011	U012	U013	U014	U015	U016	U017	U018	U019	U020
------	------	------	------	------	------	------	------	------	------	------	------	------	------	------	------	------	------	------	------

U012_S003
 (EU/AA/TWN/KOR/CHN):FUSING UNIT:230V:ASS'Y

123.D0744235 SUPPORTING PLATE:GUIDE PLATE:FUSING UNIT:230V:ASS'Y
 108.D0744090 DUCT:PRESSURE:EXIT:CONNECTING :A
 144.D0A53906 FLAT BELT-FUSING UNIT:230V:ASS'Y :G:DIA88.5:SEAL :B
 109.D0744091 DUCT:PRESSURE:EXIT:CONNECTING :B
 126.D0744269 PIN:HANDLE:COVER



239.D0A54027
 [A]
 (EU/AA/TWN/KOR/CHN):FUSING UNIT:230V:ASS'Y
 202402-09 O/O

121.D0744183
 TAB:TERMINAL:187 :2P:UPPER



153.D0A54022
 HEATER HOLDER:HEAT ROLLER:FRONT



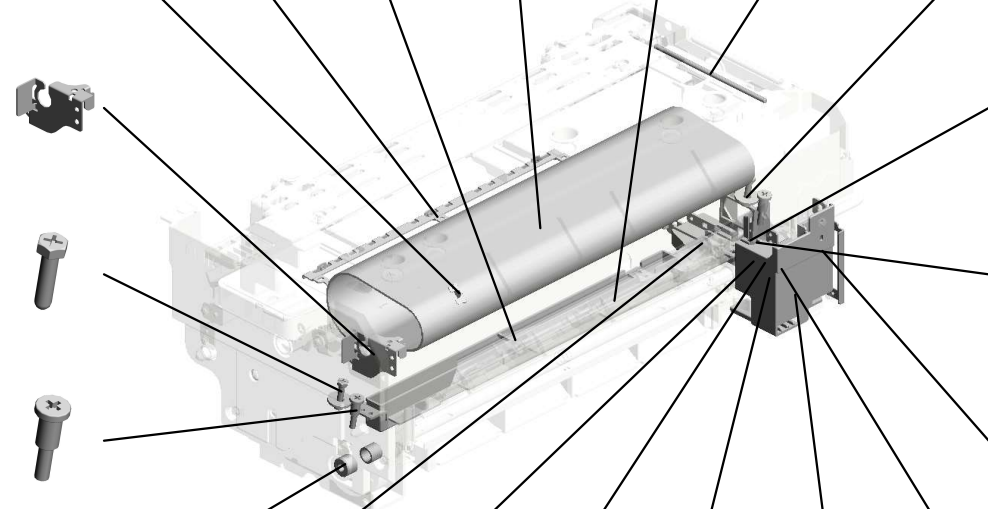
122.D0744227
 (x2)
 BOLT:M5:ROUND POINT



107.D0744072
 (x2)
 STEPPED SCREW:M5



116.D0744107
 COLLAR:DIA10XDI A14X9.4



146.D0A53928
 (x2)
 HOLDER:COIL SPRING:PRESSURE



125.D0744266
 CLAMP:HARNESS:PRESSURE:HEATER:REAR



113.D0744098
 COVER:TERMINAL:CONNECTING



124.D0744265
 BRACKET:DRAWER:LOWER



145.D0A53919
 COVER:HARNESS:FIRST:LOWER



110.D0744092
 DUCT:PRESSURE:EXIT



115.D0744102
 (x2)
 COLLAR:DIA10XDI A14X:12



111.D0744096
 TERMINAL:CONNECTING



112.D0744097
 TAB:TERMINAL:CONNECTING



114.D0744100
 COVER:BASE:ID

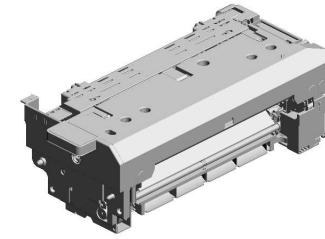


U001	U002	U003	U004	U005	U006	U007	U008	U009	U010	U011	U012	U013	U014	U015	U016	U017	U018	U019	U020
------	------	------	------	------	------	------	------	------	------	------	------	------	------	------	------	------	------	------	------

U012_S003

(EU/AA/TWN/KOR/CHN):FUSING UNIT:230V:ASS'Y

- 168.D0A54191 SEPARATION SUB-UNIT:GUIDE PLATE:(C7200+/C7210+)
- 163.D0A54109 FEELER:CAM:PRESSURE:FRONT
- 166.D0A54188 GUIDE PLATE:FUSING EXIT:LOWER:NO.2:ASS'Y
- 158.D0A54064 SHAFT:DRIVE:ON-OFF:POLISH
- 159.D0A54066 SHAFT:DRIVE:POLISH



239.D0A54027
 [A]
 (EU/AA/TWN/KOR/CHN):FUSING UNIT:230V:ASS'Y
 202402-09 O/O

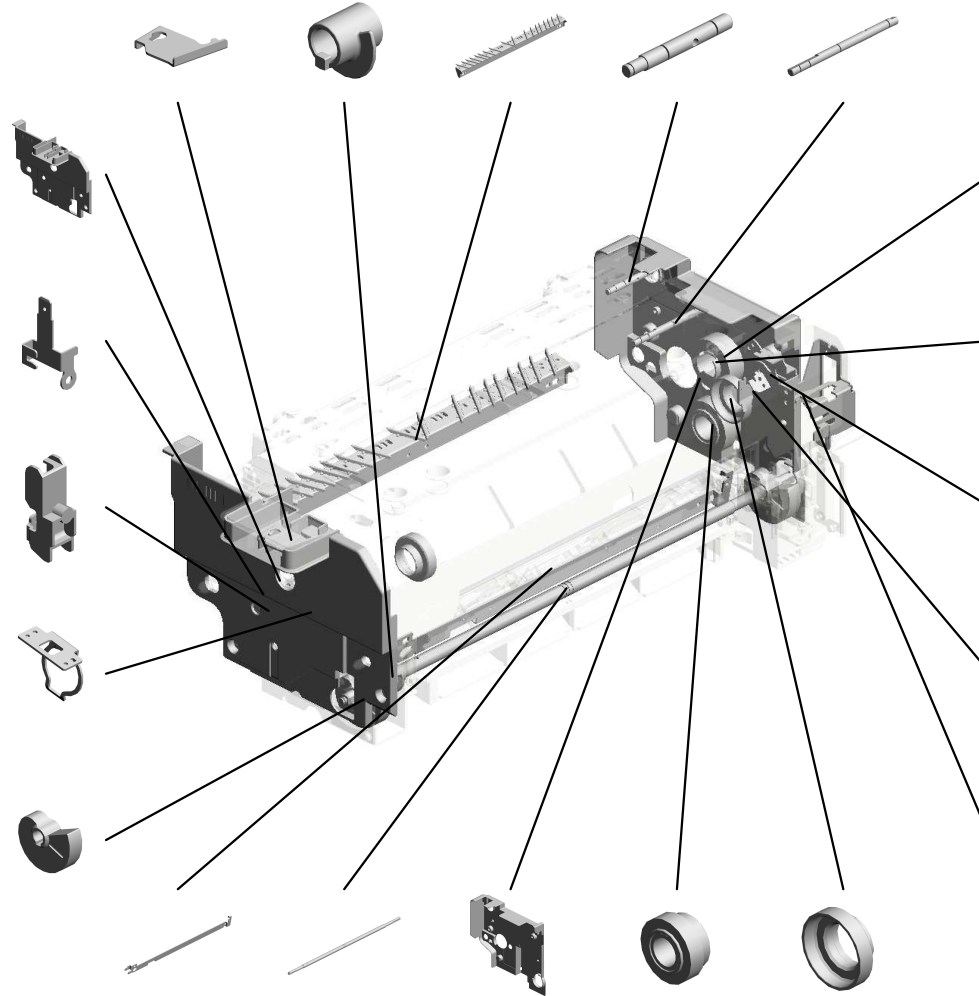
179.D0A54255
 FUSING COVER:FRONT:(C7200+/C7210+)

180.D0A54277
 ELECTRODE PLATE:HEATER:PRESSURE:FRONT:(C7200+/C7210+)

181.D0A54278
 FIX STAND:TERMINAL:HEATER:ASS'Y:(C7200+/C7210+)

164.D0A54120
 SUPPORTING PLATE:LEVER:PRESSURE

165.D0A54135
 (x2)
 CAM:PRESSURE:A



171.D0A54221
 PLATE:HOT ROLLER:GEAR:(C7200+/C7210+)

174.D0A54243
 GEAR:HOT ROLLER:40Z:(C7200+/C7210+)

154.D0A54023
 HEATER HOLDER:HEAT ROLLER:REAR

155.D0A54026
 HOLDER:THERMISTOR:HEAT ROLLER:REAR

167.D0A54189
 HOLDER:HARNESSE:HEATER:(C7200+/C7210+)

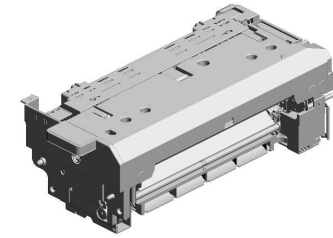
- 182.D0A54281 FUSING ENTRANCE GUIDE PLATE:LOWER:BRACKET:(C7200+/C7210+)
- 162.D0A54104 SHAFT:CAM:PRESSURE
- 176.D0A54245 FUSING COVER:REAR:PRINTING:(C7200+/C7210+)
- 175.D0A54244 GEAR:PRESSURE ROLLER:42Z:ASS'Y:(C7200+/C7210+)
- 156.D0A54031 (x2)
RING:GUIDE:HEAT ROLLER:DIA39.2

U001	U002	U003	U004	U005	U006	U007	U008	U009	U010	U011	U012	U013	U014	U015	U016	U017	U018	U019	U020
------	------	------	------	------	------	------	------	------	------	------	------	------	------	------	------	------	------	------	------

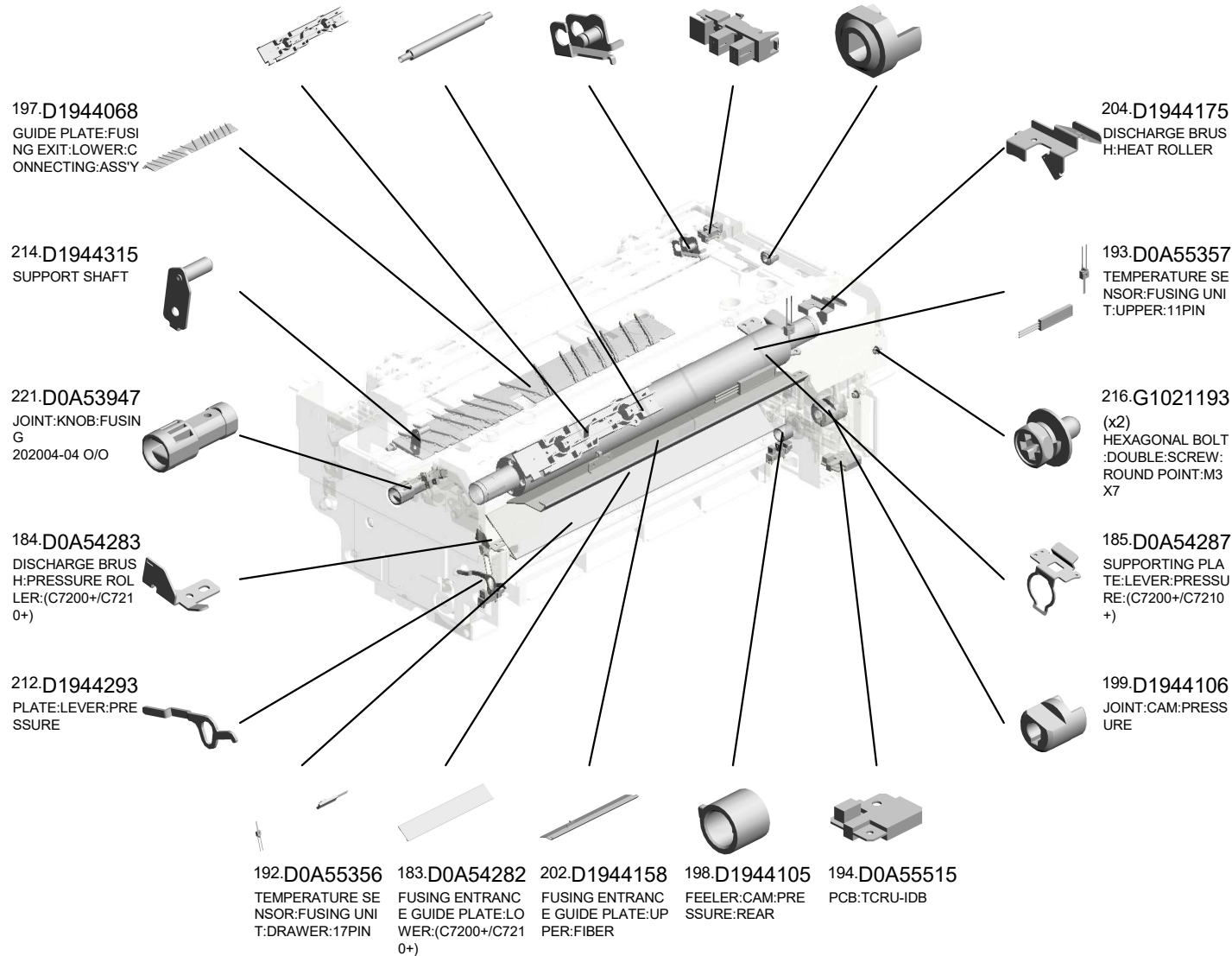
U012_S003

(EU/AA/TWN/KOR/CHN):FUSING UNIT:230V:ASS'Y

- 187.D0A54321 HOUSING:THERMO
STAT:HEAT ROLLE
R:ASS'Y
- 189.D0A54346 HEAT ROLLER:DIA
39.2
- 213.D1944302 HOLDER:GEAR:ON
-OFF
- 219.GW020022 (x4)
PHOTOINTERRUPT
OR:LG2A24BL1
- 217.G1786679 (x2)
JOINT:DRIVE:BRUS
H ROLLER



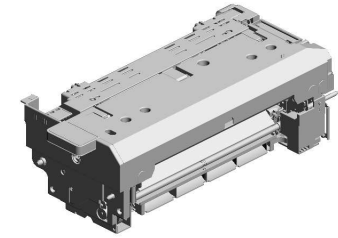
239.D0A54027
[A]
(EU/AA/TWN/KOR/
CHN):FUSING UNIT
:230V:ASS'Y
202402-09 O/O



U001	U002	U003	U004	U005	U006	U007	U008	U009	U010	U011	U012	U013	U014	U015	U016	U017	U018	U019	U020
------	------	------	------	------	------	------	------	------	------	------	------	------	------	------	------	------	------	------	------

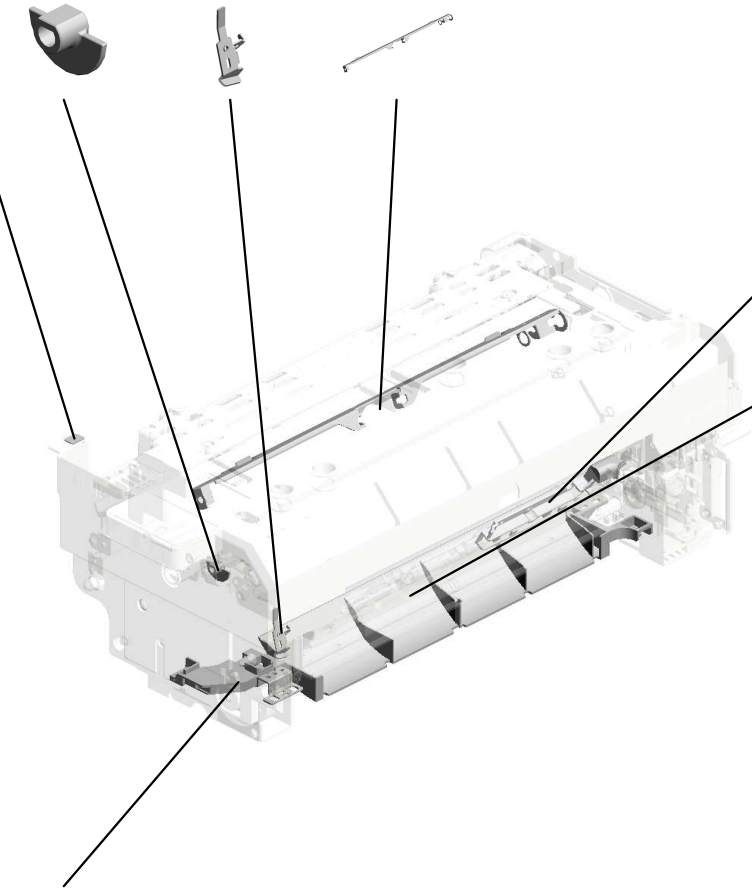
U012_S003
 (EU/AA/TWN/KOR/CHN):FUSING UNIT:230V:ASS'Y

225.D0A54046 FEELER:HEAT ROL
 LER:TURN
 237.D0A54062 BRACKET:THERMI
 STOR:PRESSURE
 202402-10 O/O
 234.D0A54057 BRACKET:DRIVE:P
 OLISH:PEEN



239.D0A54027
 [A]
 (EU/AA/TWN/KOR/
 CHN):FUSING UNIT
 :230V:ASS'Y
 202402-09 O/O

223.D0A54266
 DECAL:FUSING UN
 IT:POSITIONING
 202004-03 O/O



236.D0A54061
 CLAMP:HARNES:
 PRESSURE
 202402-11 O/O

238.D0A54102
 DUCT:PRESURE:
 LOWER

229.D0A54090
 BRACKET:PHOTOI
 NTERRUPTOR:FR
 ONT
 202208-02 X/O



D0A54019
 [A]
 (EU/AA/TWN/KOR/
 CHN):FUSING UNIT
 :230V:ASS'Y
 202402-09 O/O

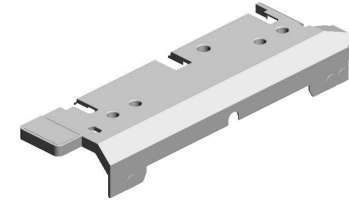
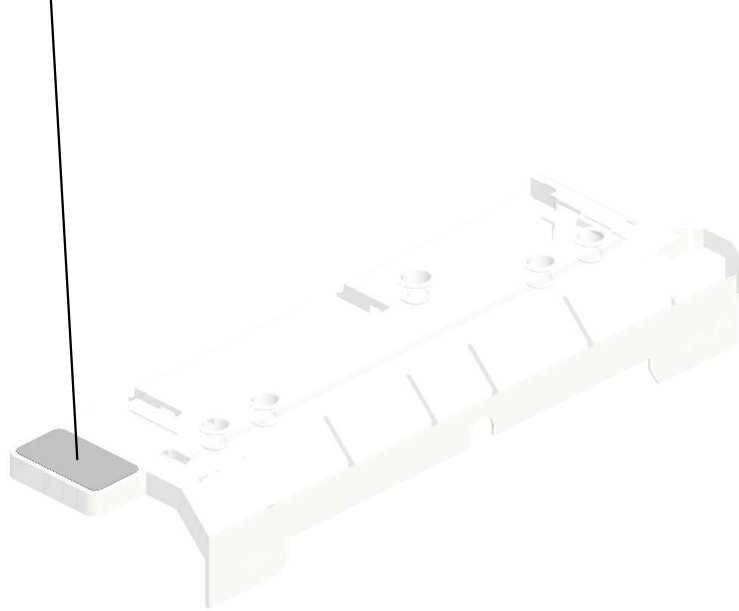
U001	U002	U003	U004	U005	U006	U007	U008	U009	U010	U011	U012	U013	U014	U015	U016	U017	U018	U019	U020
------	------	------	------	------	------	------	------	------	------	------	------	------	------	------	------	------	------	------	------

U012_S003_S001

FUSING COVER:UPPER:SUB-ASS'Y:(C7200+/C7210+)

222.D0A54265

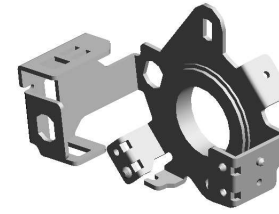
DECAL:WARNING (REMOVAL AND INSTALLATION);FUSING COVER
G
202004-05 O/O



178.D0A54252
FUSING COVER:UPPER:SUB-ASS'Y:(C7200+/C7210+)

U001	U002	U003	U004	U005	U006	U007	U008	U009	U010	U011	U012	U013	U014	U015	U016	U017	U018	U019	U020
------	------	------	------	------	------	------	------	------	------	------	------	------	------	------	------	------	------	------	------

U012_S003_S002
SIDE PLATE:HEAT ROLLER:FRONT:PRESS FIT:(C7200+/C7210+)

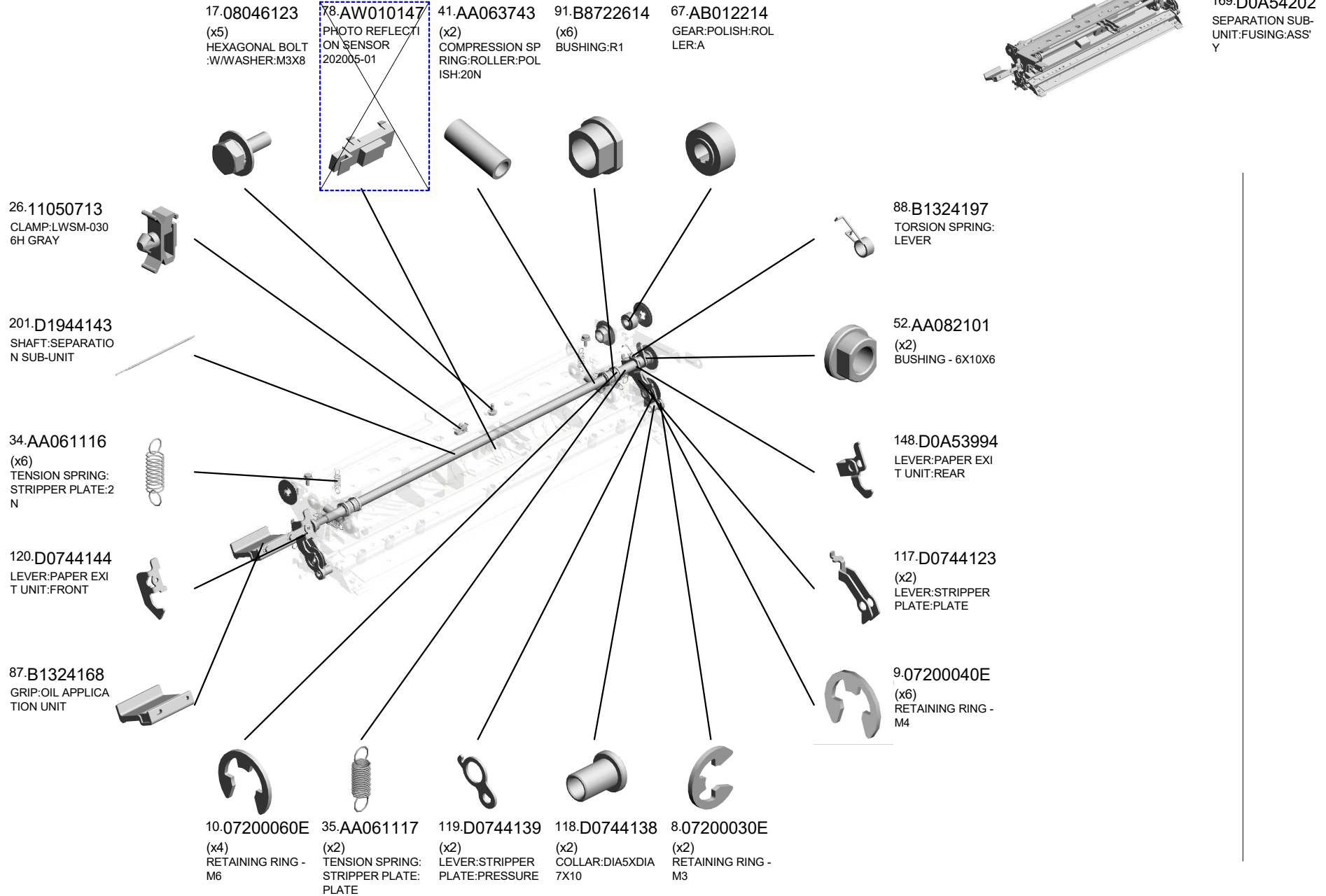


232.D0A54192
SIDE PLATE:HEAT
ROLLER:FRONT:P
RESS FIT:(C7200/
C7210+)

U001	U002	U003	U004	U005	U006	U007	U008	U009	U010	U011	U012	U013	U014	U015	U016	U017	U018	U019	U020
------	------	------	------	------	------	------	------	------	------	------	------	------	------	------	------	------	------	------	------

U012_S003_S003

SEPARATION SUB-UNIT:FUSING:ASS'Y

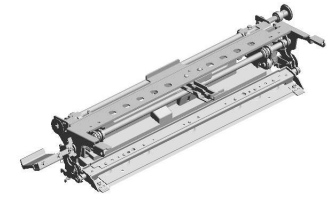


U001	U002	U003	U004	U005	U006	U007	U008	U009	U010	U011	U012	U013	U014	U015	U016	U017	U018	U019	U020
------	------	------	------	------	------	------	------	------	------	------	------	------	------	------	------	------	------	------	------

U012_S003_S003

SEPARATION SUB-UNIT:FUSING:ASS'Y

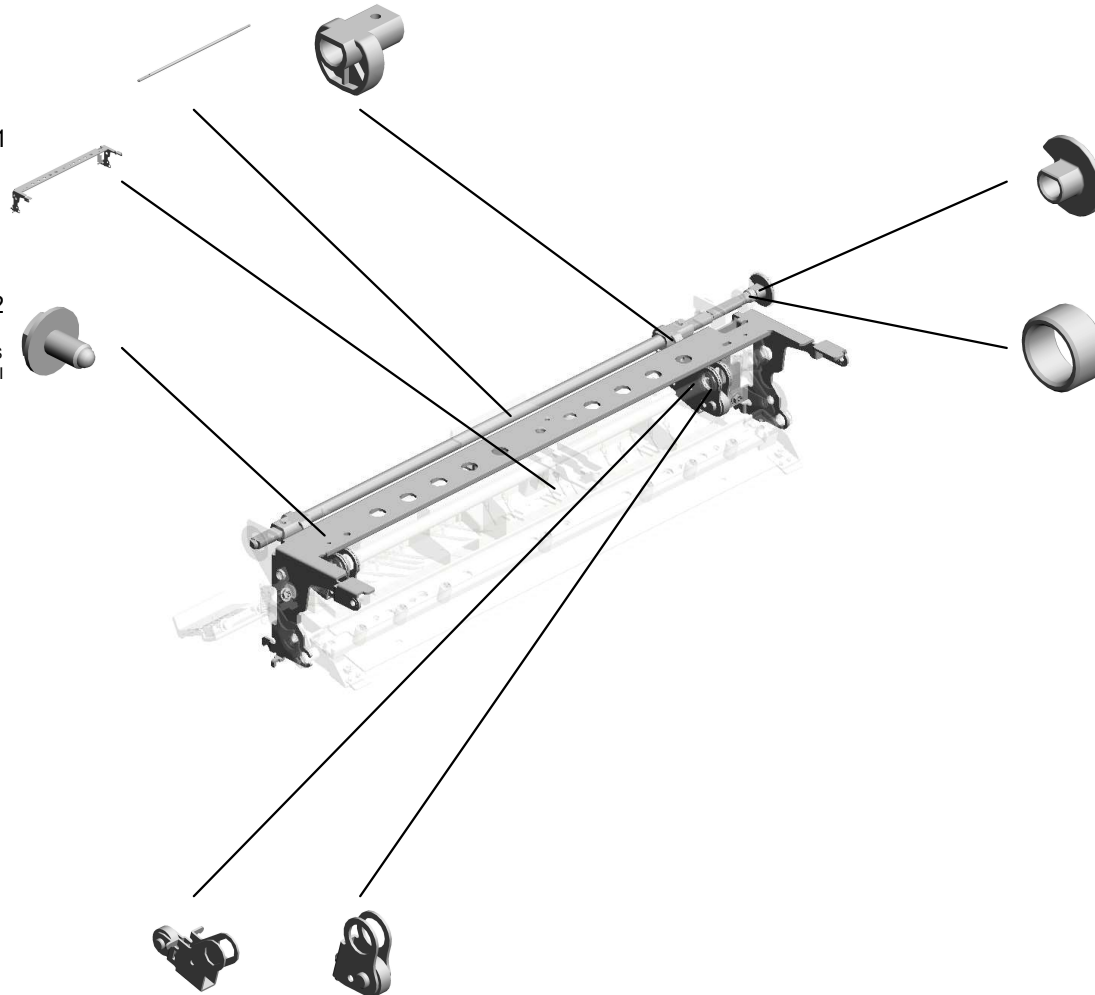
211.D1944289 208.D1944242
 SHAFT:CAM (x2)
 CAM:ON-OFF



169.D0A54202
 SEPARATION SUB-UNIT:FUSING:ASS'Y

224.D0A54041
 FRAME:SEPARATION SUB-UNIT

228.D2051082
 (x7)
 HEXAGON HEAD SCREW:ROUND POINT:M3X6:BK
 202105-07 X/O



209.D1944243
 FEELER:SENSOR:ON-OFF

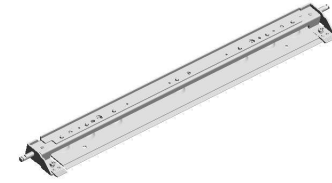
218.GA082007
 PLAIN SHAFT BEARING:4XDIA6DIA8

207.D1944234 206.D1944232
 (x2) (x2)
 LEVER:ON-OFF:B.P EEN LEVER:ON-OFF:A.P EEN

U001	U002	U003	U004	U005	U006	U007	U008	U009	U010	U011	U012	U013	U014	U015	U016	U017	U018	U019	U020
------	------	------	------	------	------	------	------	------	------	------	------	------	------	------	------	------	------	------	------

U012_S003_S003_S001
 SERVICE PARTS:STRIPPER PLATE:ASS'Y

157.D0A54045
 GUIDE PLATE:UPP
 ER:STRIPPER PLA
 TE



170.D0A54208
 SERVICE PARTS:S
 TRIPPER PLATE:A
 SS'Y

188.D0A54330
 SHEET:GUIDE PLA
 TE:STRIPPER PLA
 TE



216.G1021193
 (x2)
 HEXAGONAL BOLT
 :DOUBLE:SCREW:
 ROUND POINT:M3
 X7



17.08046123
 HEXAGONAL BOLT
 :W/WASHER:M3X8



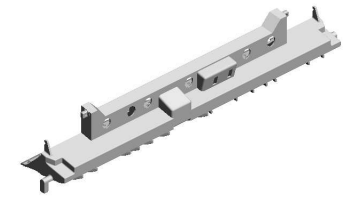
53.AA143520
 (x2)
 SHOULDER SCRE
 W - M3

U001	U002	U003	U004	U005	U006	U007	U008	U009	U010	U011	U012	U013	U014	U015	U016	U017	U018	U019	U020
------	------	------	------	------	------	------	------	------	------	------	------	------	------	------	------	------	------	------	------

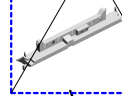
U012_S003_S003_S002
GUIDE PLATE:FUSING EXIT:UPPER:ASS'Y

150.D0A53997
(x24)
GUIDE:FUSING EXI
T:UPPER:2

~~160.D0A54067
GUIDE PLATE:FUSI
NG EXIT:UPPER
202005-02~~



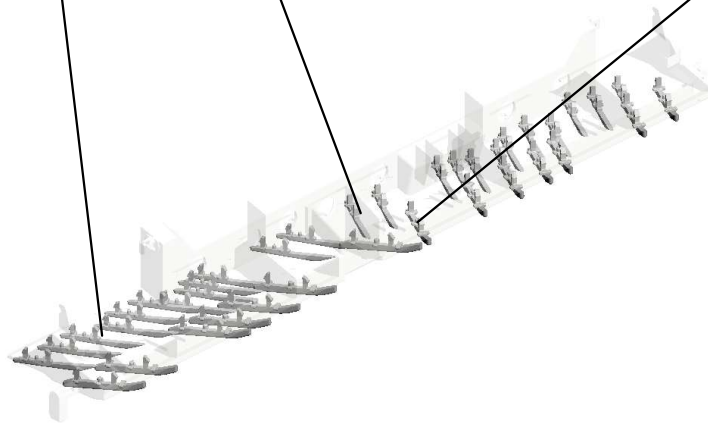
226.D0A54224
GUIDE PLATE:FUSI
NG EXIT:UPPER:A
SS'Y



186.D0A54316
(x14)
GUIDE:FUSING EXI
T:UPPER



78.AW010147
PHOTO REFLECTI
ON SENSOR



U001	U002	U003	U004	U005	U006	U007	U008	U009	U010	U011	U012	U013	U014	U015	U016	U017	U018	U019	U020
------	------	------	------	------	------	------	------	------	------	------	------	------	------	------	------	------	------	------	------

U012_S003_S004

PRESSURE SUB-UNIT:STRIPPER PLATE:ASS'Y:(C7200+/C7210+)

210.D1944279 53.AA143520
 GUIDE PLATE:SEP (x2)
 ARATION SUB-UNI SHOULDER SCRE
 T:PRESSURE W - M3



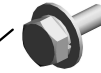
161.D0A54091
 PRESSURE SUB-U
 NIT:STRIPPER PLA
 TE:ASS'Y:(C7200+/
 C7210+)

200.D1944115
 (x9)
 SERVICE PARTS:PI
 CKOFF PAWL:PRE
 SSURE ROLLER:A
 SS'Y

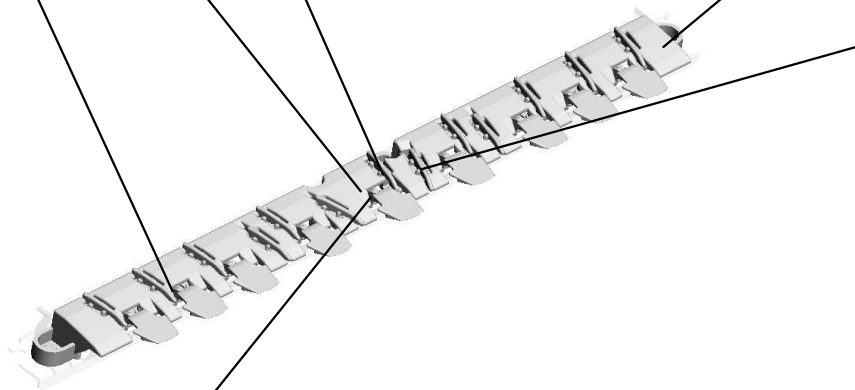


2.03603006N (x 3)
 SCREW - M3X6

17.08046123
 HEXAGONAL BOLT
 :W/WASHER:M3X8



143.D0894252
 (x13)
 GUIDE:FUSING EXI
 T:PFA



2.03603006N
 (x21)
 SCREW - M3X6



U001	U002	U003	U004	U005	U006	U007	U008	U009	U010	U011	U012	U013	U014	U015	U016	U017	U018	U019	U020
------	------	------	------	------	------	------	------	------	------	------	------	------	------	------	------	------	------	------	------

U013.PAPER EXIT

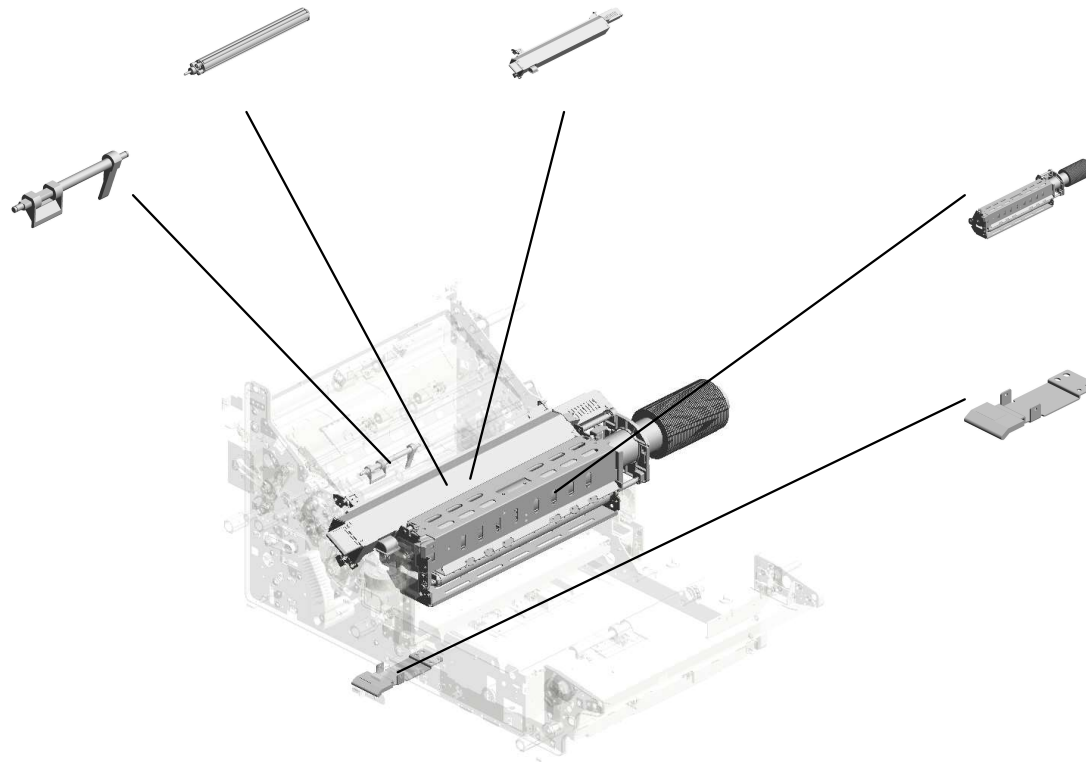
U013 S005
D0A57580
SHADING PLATE:TURN:ASS'
Y

U013 S004
D0A57642
OPTICAL READING UNIT:CO
OLING:EXIT:ASSY

U013 S002
D0A54647
LINK:REVERSE ROLLER:ASS'
Y

U013 S001
D0A54530
COOLING SUB-UNIT:PAPER
EXIT UNIT:ASSY

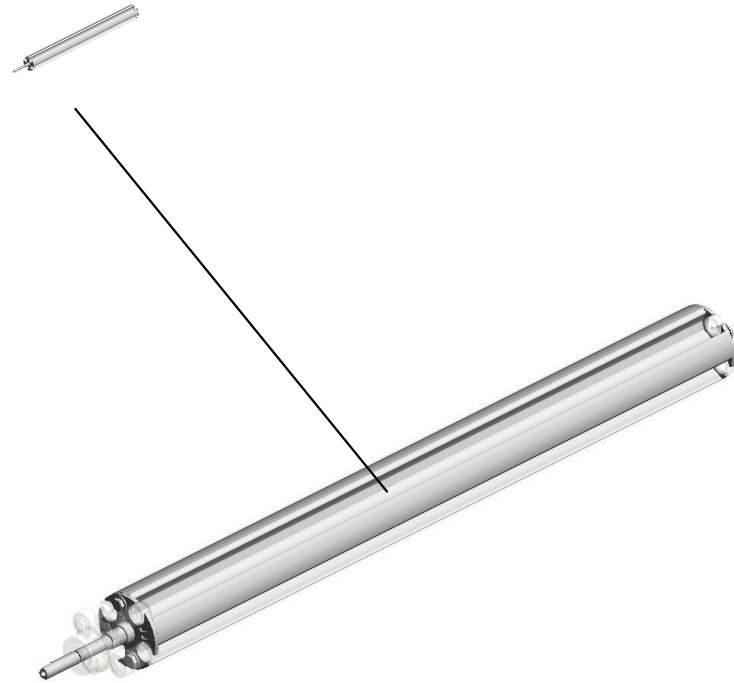
U013 S003
D0744826
GRIP:DUPLEX:GUIDE PLATE:
LEFT



U001	U002	U003	U004	U005	U006	U007	U008	U009	U010	U011	U012	U013	U014	U015	U016	U017	U018	U019	U020
------	------	------	------	------	------	------	------	------	------	------	------	------	------	------	------	------	------	------	------

U013_S005.SHADING PLATE:TURN:ASS'Y

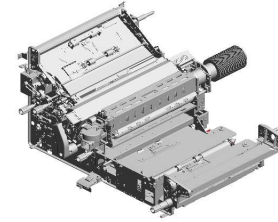
U013 S005 S001
D0A57581
BASE:SHADING:ASS'Y



U001	U002	U003	U004	U005	U006	U007	U008	U009	U010	U011	U012	U013	U014	U015	U016	U017	U018	U019	U020
------	------	------	------	------	------	------	------	------	------	------	------	------	------	------	------	------	------	------	------

U013 PAPER EXIT

18.07200030E (x3) RETAINING RING - M3
 10.04503008N (x9) TAPPING SCREW - M3X8
 2.03530040N (x2) SCREW - M3X4
 9.03604008N (x47) SCREW - M4X8
 7.03603006N (x54) SCREW - M3X6



3.03530060N (x5) BIND SCREW - M3 X6



21.07200060G (x4) RETAINING RING - M6



22.07403804 BALL BEARING: DIA 4XDIA9X4



16.04544006Q (x6) TAPPING SCREW: 4 X6



19.07200040E (x2) RETAINING RING - M4



13.04514008N (x23) TAPPING SCREW: 4 X8
 15.04543006Q (x8) TAPPING SCREW - M3X6
 12.04513006N (x2) TAPPING SCREW - 3X6
 17.04544008Q (x43) TAPPING SCREW - M4X8
 14.04534008N (x2) BINDING SELF TAPPING SCREW: 4X8



1.03140180N PAN HEAD SCREW :M4X18



5.03540450N (x2) SCREW: M4X45



20.07200060E (x32) RETAINING RING - M6



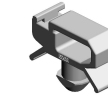
8.03603008N (x4) SCREW: M3X8



11.04504008N (x9) TAPPING SCREW - M4X8



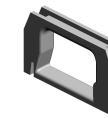
26.08010237 (x2) HEXAGONAL BOLT :DOUBLE SCREW: M4X12



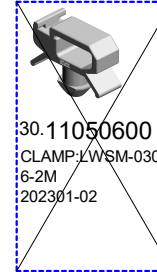
30.11050600 (x13) CLAMP: LWSM-030 6-2M



32.11050692 CLAMP: LES-0503



35.11050725 CLAMPS: WES-1117



30.11050600 CLAMP: LWSM-030 6-2M 202301-02



31.11050601 CLAMP: LWSM-051 1-2M

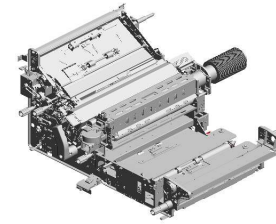


33.11050723 (x2) CLAMPS: WES-0507



36.11050758 (x28) CLAMP: LWSM-030 6A

U013 PAPER EXIT



- 37.11050760 CLAMP:LWSM-051 1A
- 38.11050761 CLAMP:LWS-0511A
- 41.A2324666 CUSHION - STEPPER MOTOR
- 28.08053384 (x2) BUSHING - 5MM
- 25.07423808 (x13) BALL BEARING - 8 X16X5

- 32.11050692 (x3) CLAMP:LES-0503

- 23.07413706 (x2) BALL BEARING - 6 X10X3

- 27.08050089 (x4) RETAINING RING - M4

- 26.08010237 HEXAGONAL BOLT :DOUBLE SCREW: M4X12

- 36.11050758 (x5) CLAMP:LWSM-030 6A

- 43.AA021034 MAGNETIC
- 34.11050724 (x2) CLAMPS:WES-1210
- 33.11050723 (x9) CLAMPS:WES-0507
- 31.11050601 (x5) CLAMP:LWSM-051 1-2M
- 42.A2574493 BAND

- 24.07413808 BALL BEARING - 8 X16X5MM

- 38.11050761 (x8) CLAMP:LWS-0511A
- 39.11050764 (x3) CLAMP:LWS-1316A

- 44.AA043297 TIMING BELT:S3M: 150

- 7.03603006N(x 2) SCREW - M3X6

- 8.03603008N(x 2) SCREW:M3X8

- 13.04514008N(x 2) TAPPING SCREW:4X8

- 15.04543006Q(x 1) TAPPING SCREW - M3X6

- 16.04544006Q(x 1) TAPPING SCREW:4X6

- 17.04544008Q(x 3) TAPPING SCREW - M4X8

- 19.07200040E (x36) RETAINING RING - M4

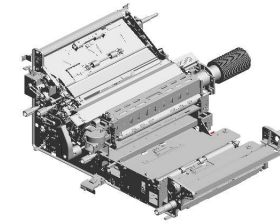
- 20.07200060E (x 3) RETAINING RING - M6

- 30.11050600 (x21) CLAMP:LWSM-030 6-2M

- 29.11050551 (x2) CLAMP:LES-0505

- 40.54472681 SNAP RING

U013 PAPER EXIT



- 55.AA063675 (x10) SPRING - 5N
- 52.AA061065 (x2) TENSION SPRING: DUPLEX:DRIVEN ROLLER
- 54.AA063674 (x2) SPRING - 8N
- 56.AA080346 (x6) BUSHING:FLANGE TYPE:DIA6
- 46.AA043327 TIMING BELT - B60 DS3M453

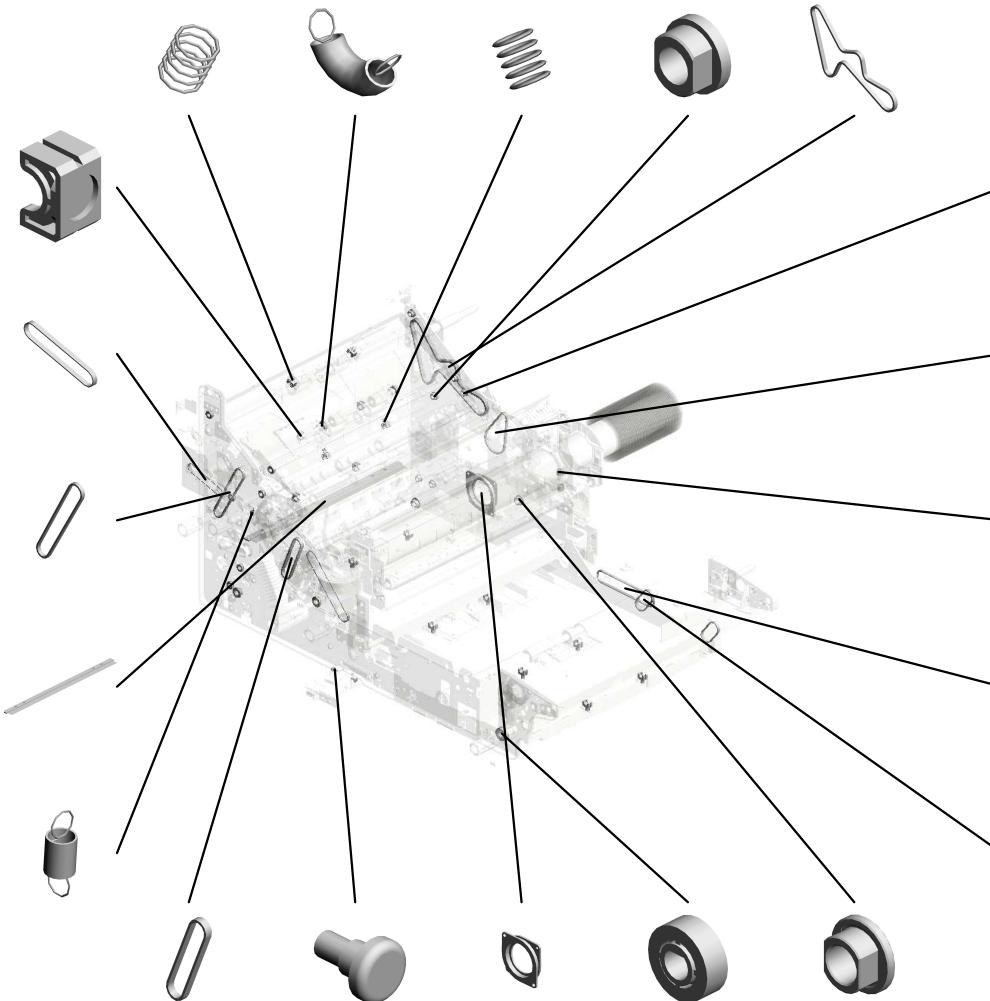
59.AA084059
(x16)
BALL BEARING HOLDER

51.AA043710
SYNCHRONOUS BELT:40S2M158

47.AA043527
TIMING BELT - 230 XL

61.AA120145
DISCHARGE BRUSH:REVERSE:17MM

53.AA061170
COIL SPRING:GATE PAWL:EXIT:ENTRANCE



57.AA082101
(x6)
BUSHING - 6X10X6

50.AA043692
SYNCHRONOUS BELT:40S2M182

62.AA132300
(x2)
ROLLER:LOCK:PULL OUT

45.AA043325
(x2)
TIMING BELT - B40 S2M250

49.AA043604
(x2)
TIMING BELT:B40S2M110

48.AA043587
TIMING BELT:S2M170

65.AA143811
(x2)
STEPPED SCREW - M3X4

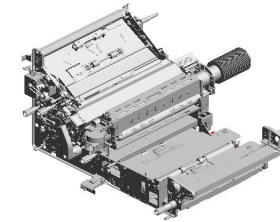
66.AA161180
CUSHION:DC STEP PER MOTOR

67.AB013421
GEAR - 18Z

58.AA082104
(x4)
BUSHING - 8X12X7

U001	U002	U003	U004	U005	U006	U007	U008	U009	U010	U011	U012	U013	U014	U015	U016	U017	U018	U019	U020
------	------	------	------	------	------	------	------	------	------	------	------	------	------	------	------	------	------	------	------

U013 PAPER EXIT



- 90.B2236171 RUBBER BUSHING: ENCODER (x3)
- 68.AB030081 PULLEY - 20Z (x4)
- 70.AB030808 TIMING PULLEY - 20T (x4)
- 87.B1253659 CUSHION:SWIVEL: STOPPER (x4)
- 69.AB030805 PULLEY:COUPLING:30T (x2)

73.AB030846
(x2)
TIMING PULLEY:S2
M:22T

78.AG050100
(x3)
KNOB - TRANSPORT
ROLLER

80.AW020213
(x2)
OPTICS SENSOR:ENCODER:300LPI

75.AC020152
(x2)
LENS:LED:3

76.AC020153
LENS:LED:4

77.AF022067
(x3)
GUIDE STOPPER ROLLER

85.AX640240
FAN:SIROCCO:DC2
4V:60MM

79.AG070022
MAGNET CATCH:2
5.5N

74.AB032721
PULLEY - M18

83.AX060464
DC MOTOR:ENCODER:NO:10W:GEAR:BRUSHLESS

88.B1321183
BRACKET:LOCK

84.AX060517
DC STEPPER MOTOR:MM56XL76

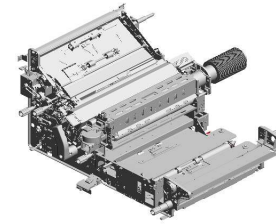
89.B1321221
HOLDER:SPRING:PULL OUT

86.AX660016
DC FAN MOTOR:M60X38:DC24V:PWM:18W

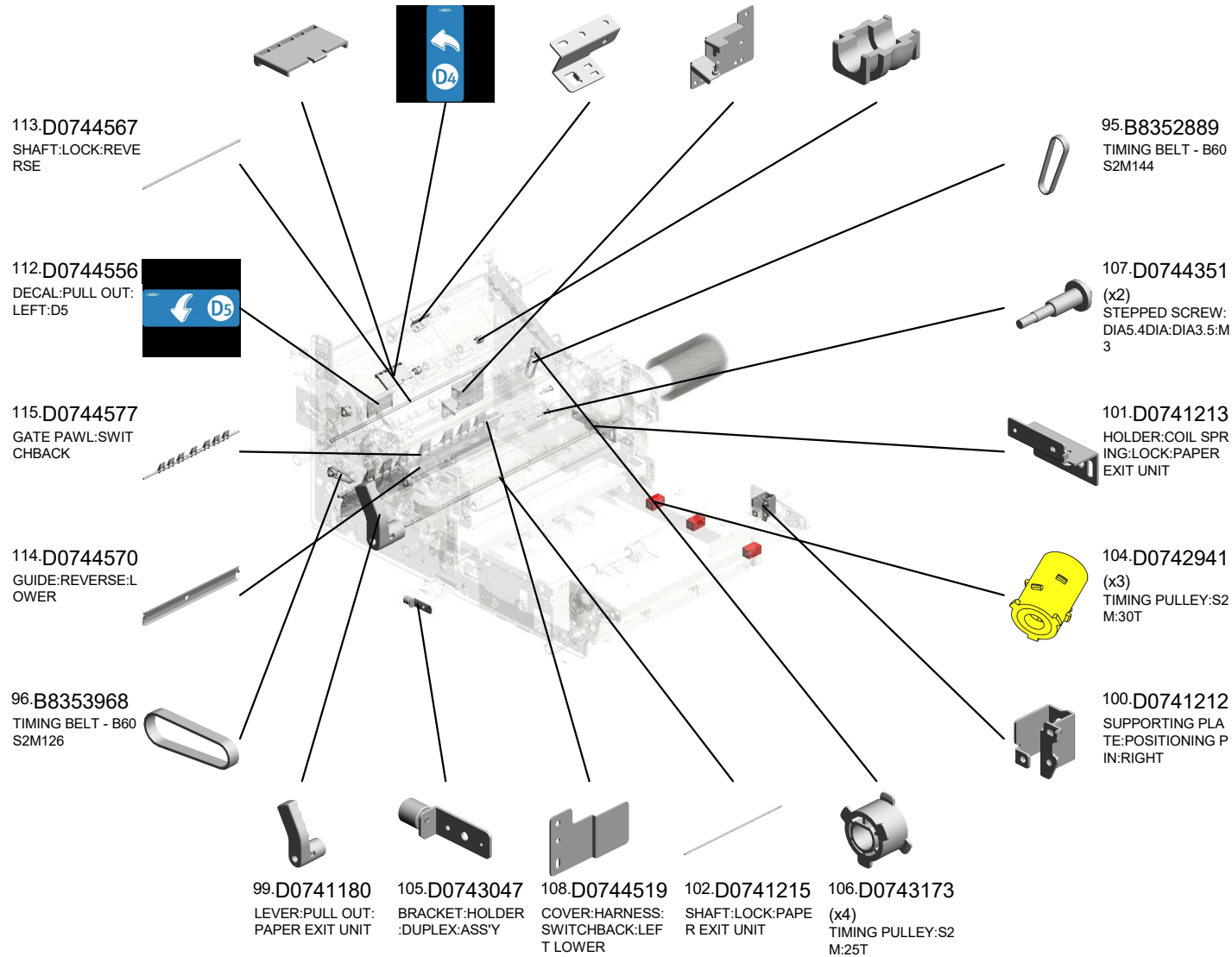
71.AB030842
(x5)
TIMING PULLEY:S2
M:30T

U001	U002	U003	U004	U005	U006	U007	U008	U009	U010	U011	U012	U013	U014	U015	U016	U017	U018	U019	U020
------	------	------	------	------	------	------	------	------	------	------	------	------	------	------	------	------	------	------	------

U013 PAPER EXIT



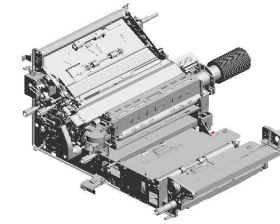
- 94.B2346424 (x2) RELEASE GRIP
- 111.D0744555 DECAL:PULL OUT: LEFT:D4
- 109.D0744528 BRACKET:SENSOR :EXIT:EXIT
- 116.D0744581 BRACKET:LEVER:R EVERSE
- 93.B2344858 (x2) DRIVEN ROLLER H OLDER



U001	U002	U003	U004	U005	U006	U007	U008	U009	U010	U011	U012	U013	U014	U015	U016	U017	U018	U019	U020
------	------	------	------	------	------	------	------	------	------	------	------	------	------	------	------	------	------	------	------

U013 PAPER EXIT

- 118.D0744682 PAPER EXIT SUB-UNIT:EXIT:MAIN
- 133.D0A54453 TRANSPORT ROLLER:DRIVE:REVERSE:EXIT:PRESS FIT
- 134.D0A54455 TRANSPORT ROLLER:DRIVE:EXIT:CONNECTING:PRESS FIT
- 130.D0A54432 GUIDE PLATE:EXIT:LOWER
- 129.D0A54408 TRANSPORT ROLLER:DRIVEN:PRESS FIT



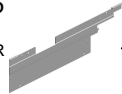
119.D0744690
PIN:PLATE



135.D0A54487
(x2)
TENSION SPRING:
EXIT:GUIDE PLATE



117.D0744625
COVER:REVERSE
UNIT:LEFT LOWER



121.D0744698
(x2)
LEVER:LOCK:GUIDE
PLATE



120.D0744693
PLATE:PIN:LEFT
LOWER:PEEN



- 138.D0A54556 GATE:DUPLX:EXIT:ASS'Y
- 128.D0A54406 TRANSPORT ROLLER:DRIVE:REVERSE:ENTRANCE:PRESS FIT
- 126.D0A53038 HOLDER:SENSOR:TRANSFER:TIMING
- 139.D0A54588 DC SOLENOID:REVERSE ROLLER:LINK:PRESS FIT
- 122.D0744710 KNOB:TRANSPORT ROLLER:AUXILIARY:PRESS FIT

136.D0A54492
(x2)
JOINT:EXIT:DRIVE



137.D0A54497
(x2)
SHAFT:JOINT:DRIVE:EXIT:PRESS FIT



132.D0A54439
GEAR:PULLEY:EXIT:92Z/60T



125.D0746078
(x2)
COMPRESSION SPRING:DRAWER:INTERMEDIATE TRANSFER

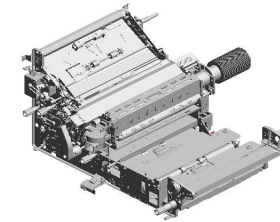


123.D0744806
PLATE:OPEN AND CLOSE:DUPLX:RIGHT LOWER



U001	U002	U003	U004	U005	U006	U007	U008	U009	U010	U011	U012	U013	U014	U015	U016	U017	U018	U019	U020
------	------	------	------	------	------	------	------	------	------	------	------	------	------	------	------	------	------	------	------

U013 PAPER EXIT



- 162.D0A57560 (x2) PULLEY:TRANSPORT ROLLER:T24
- 153.D0A54870 DISCHARGE BRUSH:DUPLICATION
- 155.D0A54893 GUIDE PLATE:REVERSE:ENTRANCE:CING
- 154.D0A54884 TRANSPORT ROLLER:DRIVE:REVERSING
- 140.D0A54696 GATE:REVERSE:EXIT:ASSY

178.D1794820
CAM:ON-OFF

179.D1794821
LINK:GATE PAWL:EXIT:ENTRANCE

167.D0A57586
TENSION SPRING:TENSIONER:COOLING:EXIT

177.D1361244
COVER:ENCODER

163.D0A57568
SYNCHRONOUS BELT:60DS3M300

166.D0A57585
TENSION SPRING:DC STEPPER MOTOR:SHADING

172.D0A57599
TIMING PULLEY:FEELER:DRIVE:30T

156.D0A54999
DC STEPPER MOTOR:MM42:DRIVE

143.D0A54728
GRIP:COOLING UNIT:ON-OFF

150.D0A54801
GUIDE:DUPLICATION:OPEN AND CLOSE:LOWER

157.D0A55490
PCB:TACT_SNS

160.D0A57536
ROLLER:SCANNING:PAPER:SUB SCANNING:COATING

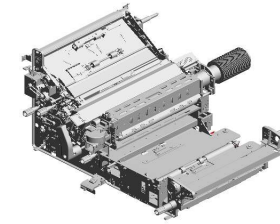
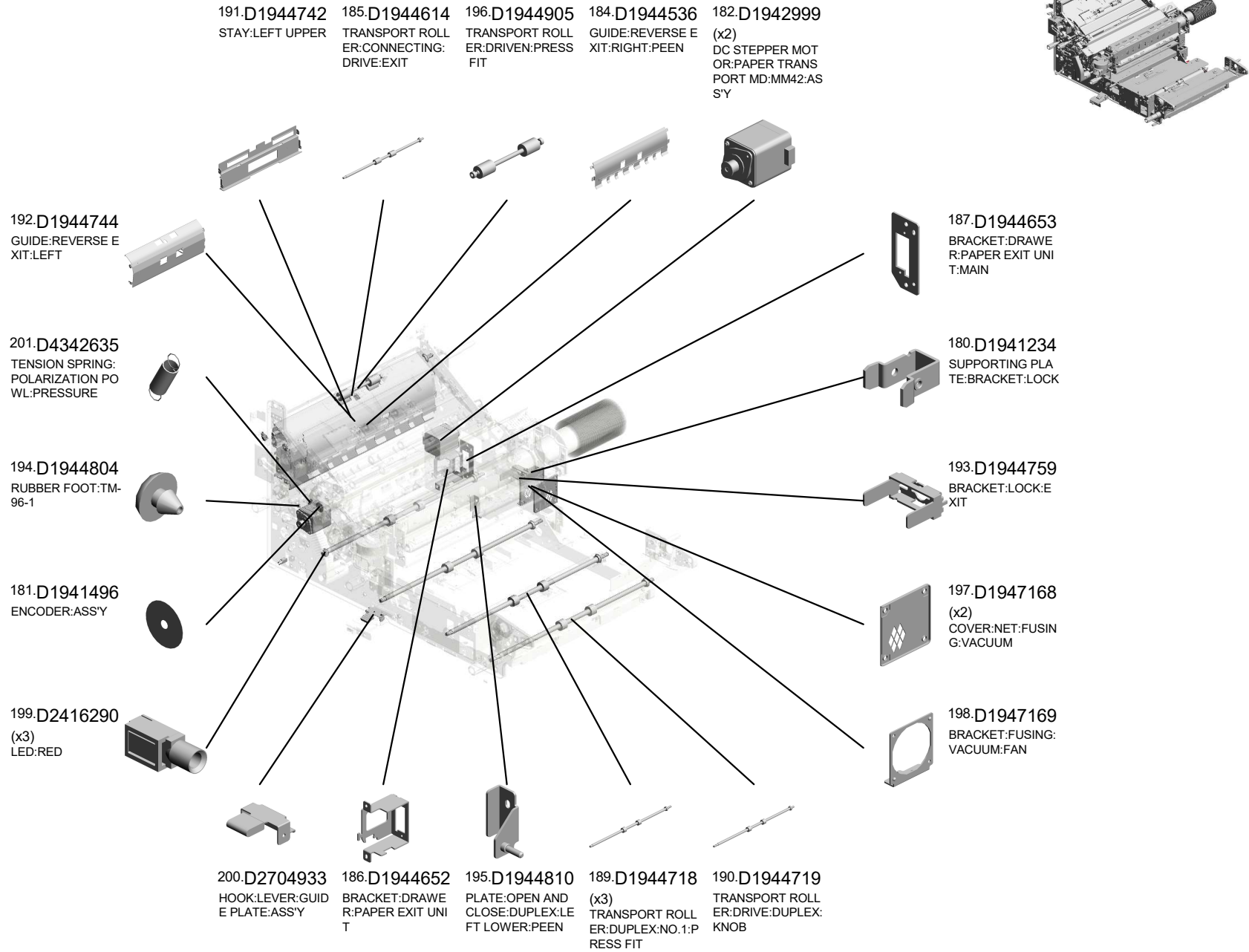
149.D0A54772
TRANSPORT ROLLER:COOLING:EXIT:PRESS FIT

161.D0A57544
GUIDE PLATE:COOLING:EXIT:LOWER

151.D0A54802
GUIDE:DUPLICATION:OPEN AND CLOSE:UPPER:PEEN

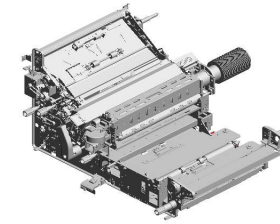
U001	U002	U003	U004	U005	U006	U007	U008	U009	U010	U011	U012	U013	U014	U015	U016	U017	U018	U019	U020
------	------	------	------	------	------	------	------	------	------	------	------	------	------	------	------	------	------	------	------

U013 PAPER EXIT



U001	U002	U003	U004	U005	U006	U007	U008	U009	U010	U011	U012	U013	U014	U015	U016	U017	U018	U019	U020
------	------	------	------	------	------	------	------	------	------	------	------	------	------	------	------	------	------	------	------

U013 PAPER EXIT



- 216.G1784828 (x2) STAY:LOCK:LEVER :LEFT LOWER
- 207.G1783593 (x14) TENSION SPRING: STOPPER
- 220.G1784908 (x2) COIL SPRING:LEFT LOWER:LOCK
- 212.G1784813 STOPPER:LEFT LOWER:FRAME
- 209.G1784794 SPRING:TENSIONER:EXIT

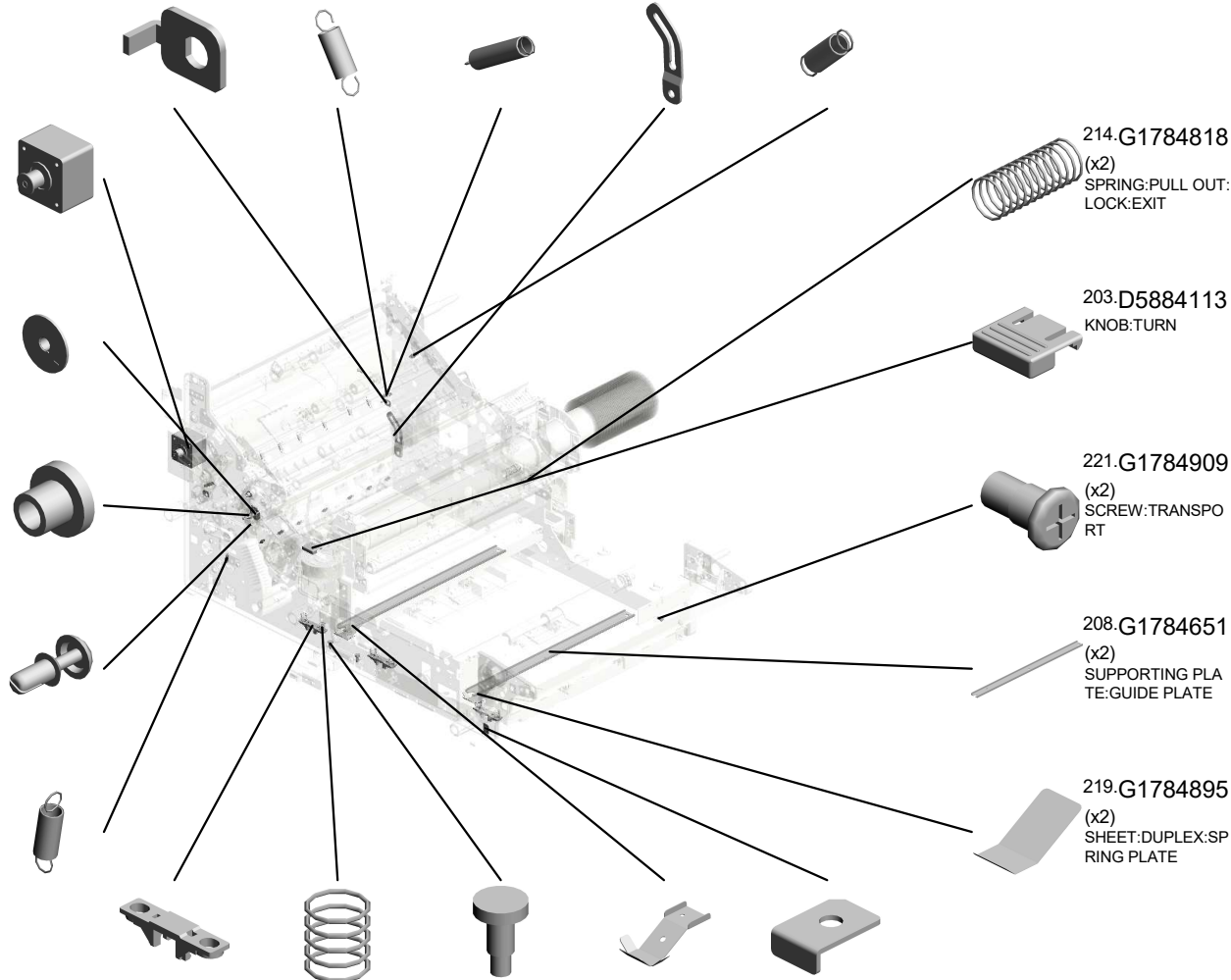
205.D7065660
DC STEPPER MOTOR:MM42:L30

223.G1786352
GUIDE PLATE:ENCODER

202.D5161560
(x2) SPACER:SHAFT:LINK

206.G1073834
(x4) RIVET - 2.0

210.G1784798
SPRING:SWITCHBACK:GATE



- 211.G1784808 (x3) BRACKET:PRESSURE:ROLLER
- 213.G1784817 (x6) SPRING:PRESSURE:ROLLER:DUPLIX
- 222.G1784916 (x2) SCREW:ROUND POINT
- 218.G1784890 (x2) SPRING PLATE:DUPLIX:GUIDE:LOWER
- 225.G1787618 PLATE:FIX:BAND

214.G1784818
(x2) SPRING:PULL OUT:LOCK:EXIT

203.D5884113
KNOB:TURN

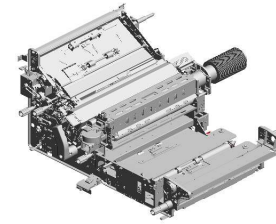
221.G1784909
(x2) SCREW:TRANSPORT

208.G1784651
(x2) SUPPORTING PLATE:GUIDE PLATE

219.G1784895
(x2) SHEET:DUPLIX:SPRING PLATE

U001	U002	U003	U004	U005	U006	U007	U008	U009	U010	U011	U012	U013	U014	U015	U016	U017	U018	U019	U020
------	------	------	------	------	------	------	------	------	------	------	------	------	------	------	------	------	------	------	------

U013 PAPER EXIT



227.G1787743 BOSS:POSITIONIN
G PIN:TRANSPORT
UNIT:NO.1

242.M3791627 (x3)
TRANSPORT ROLL
ER:DRIVEN

259.D0A54443 GUIDE PLATE:EXIT
:UPPER:ASSY

239.M2054538 BRACKET:GATE P
AWL:REVERSE EXI
T

238.M0B14675 GATE PAWL:EXIT:
REVERSE

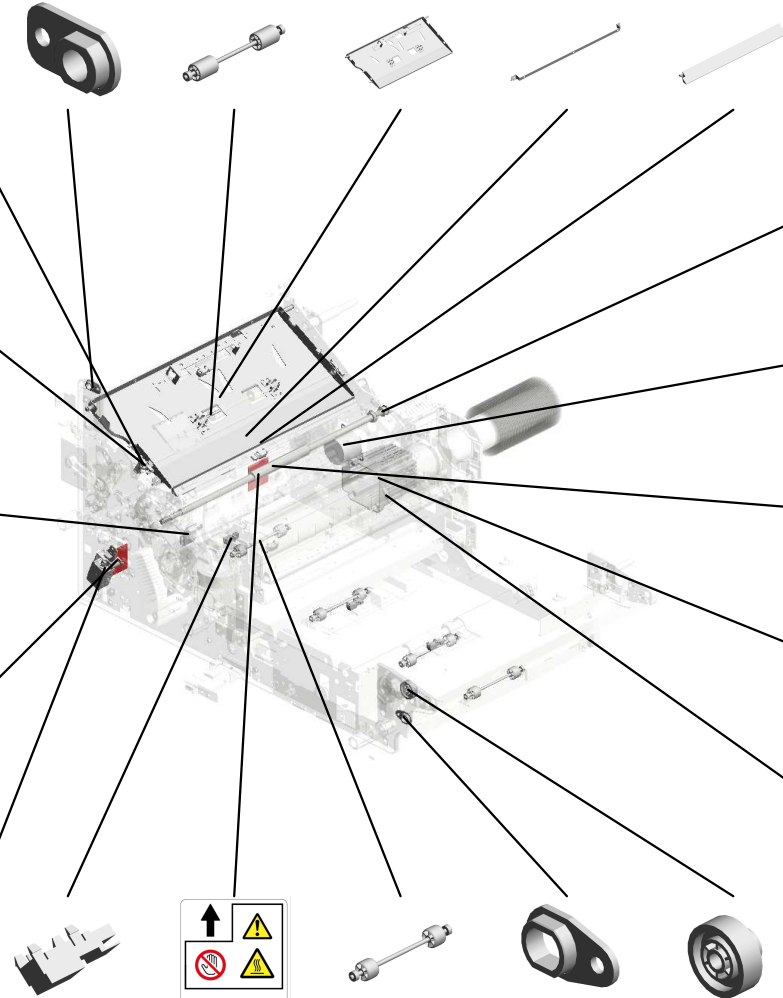
246.D0A54427
(x2)
LEVER:GUIDE PLA
TE:EXIT:UPPER:OP
EN AND CLOSE

257.D0A54459
(x2)
STAY:LOCK:LEVER
:GUIDE PLATE

244.D0744564
BRACKET:REVERS
E:SENSOR

251.D0A57726
DECAL:H-TEMP W
ARNING:EXIT:LEFT
FRONT
201911-09

240.M2054770
DC SOLENOID:GAT
E PAWL:SWITCHB
ACK:ASSY



230.GW010007
(x8)
PHOTO REFLECTI
ON SENSOR:EXIT

250.D0A57725
DECAL:H-TEMP W
ARNING:EXIT:LEFT
REAR
201911-08



235.M0774862
(x4)
TRANSPORT ROLL
ER:DRIVEN:DUPL
X:DIA18X2

228.G1787744
BOSS:POSITIONIN
G PIN:TRANSPORT
UNIT:NO.2

262.D0A51521
GEAR:PULLEY:VAC
UUM:51Z/21T

256.M0B17680
TIMING PULLEY:TR
ANSPORT ROLLER
:PEEN
202005-06 X/O

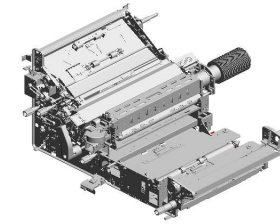
255.AX060535
DC MOTOR:GEAR:
10W
202001-02 X/O

248.D0A54774
DRIVE ROLLER:SC
ANNING:PAPER:SU
B SCANNING:PRES
S FIT

241.M2057338
COVER:DC STEPP
ER MOTOR:MM56X
L76

226.G1787656
TENSION SPRING:
TENSIONER

U013 PAPER EXIT



- 264.D0A54835 COIL SPRING:PRESSURE:ROLLER:SUB SCANNING:REAR
- 269.M0EB4671 RADIAL BALL BEARING:REGISTRATION:DRIVEN:REAR
- 267.G0603293 (x2) SPACER:6.1X8.5X0.5
- 265.M0EB4681 (x4) COMPRESSION SPRING:DRIVE:REVERSE:EXIT

- 266.GW020026 PHOTOINTERRUPTOR:LG2A24RL1G

- 276.M0EB4607 (x2) COLLAR:6X10X4

- 266.GW020026 PHOTOINTERRUPTOR:LG2A24RL1G



- 263.D0A54834 COIL SPRING:PRESSURE:ROLLER:SUB SCANNING:FRONT

- 268.M0EB4670 RADIAL BALL BEARING:REGISTRATION:DRIVEN:FRONT

- 274.D0A54410 BRACKET:DC MOTOR:EXIT:ENTRANCE:PEEN

- 273.M0EB4667 GUIDE PLATE:EXIT:GATE

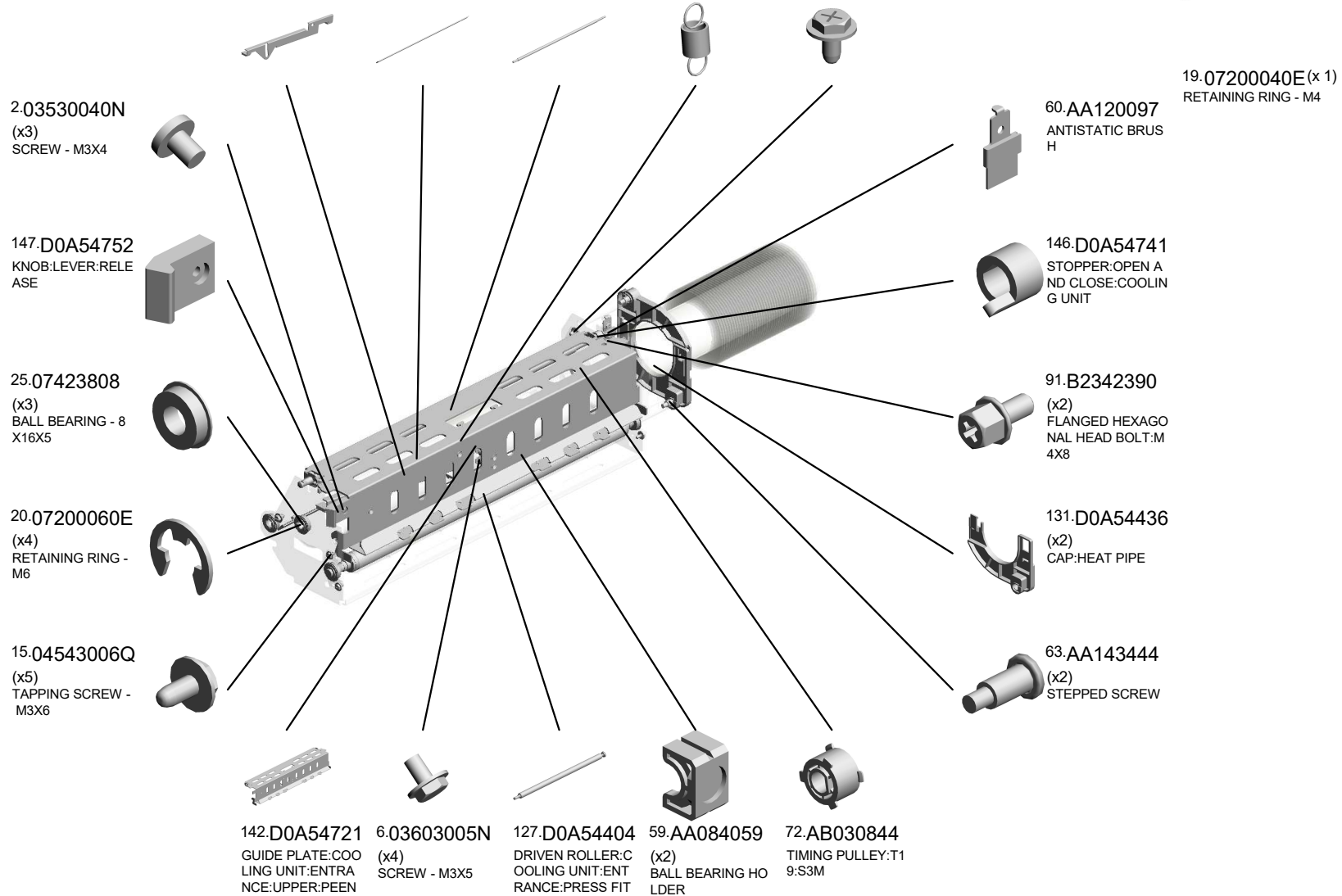
- 270.D0744568 SHAFT:CONTACT POINT:FRAME:LEFT LOWER
- 272.D2704670 BRACKET:MAGNET CATCH:DUPLIX

U013_S001
COOLING SUB-UNIT:PAPER EXIT UNIT:ASS'Y

- 145.D0A54735 LEVER:ON-OFF:LINK:ASS'Y
- 92.B2344460 DISCHARGE BRUSH - L=341 SUS
- 141.D0A54720 SHAFT:CONTACT POINT:GUIDE:COOLING:ENTRANCE
- 144.D0A54732 (x2) TENSION SPRING:DRIVEN ROLLER:COOLING:ENTRANCE
- 16.04544006Q (x4) TAPPING SCREW:4 X6



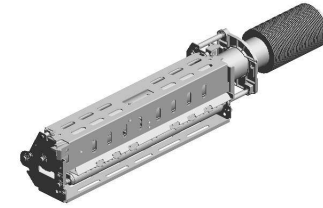
261.D0A54530
COOLING SUB-UNIT:PAPER EXIT UNIT:ASS'Y



U001	U002	U003	U004	U005	U006	U007	U008	U009	U010	U011	U012	U013	U014	U015	U016	U017	U018	U019	U020
------	------	------	------	------	------	------	------	------	------	------	------	------	------	------	------	------	------	------	------

U013_S001
 COOLING SUB-UNIT:PAPER EXIT UNIT:ASS'Y

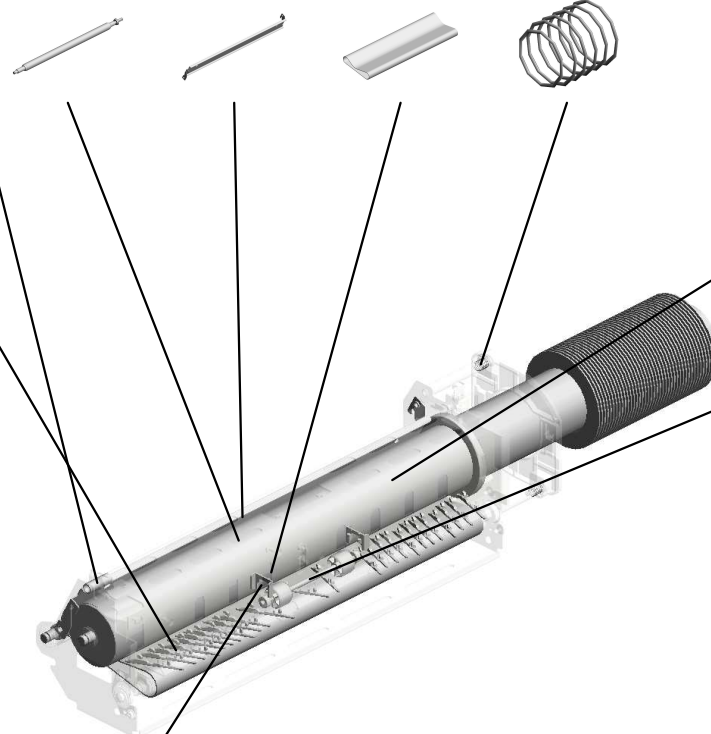
152.D0A54818 275.D0A54579 188.D1944712 232.H0722216
 DRIVE ROLLER:EXIT:COOLING UNIT:PRESS FIT
 GUIDE PLATE:COOLING:EXIT:UPPER:ADHESION
 FLAT CONVEYER BELT:COOLING
 (x2)
 COMPRESSION SPRING



261.D0A54530
 COOLING SUB-UNIT:PAPER EXIT UNIT:ASS'Y

204.D6061114
 COMPRESSION SPRING:EXIT:DRIVEN

245.D0A54770
 (x26)
 GUIDE:COOLING:ENTRANCE



183.D1944438
 TRANSPORT ROLLER:HEAT PIPE:DIA 50.4:COATING

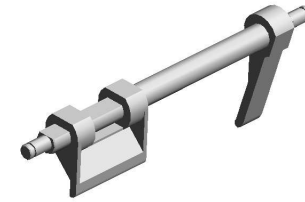
148.D0A54771
 TRANSPORT ROLLER:DRIVEN:COOLING:ENTRANCE

229.G1787790
 (x2)
 HOLDER:ROLLER:ON-OFF

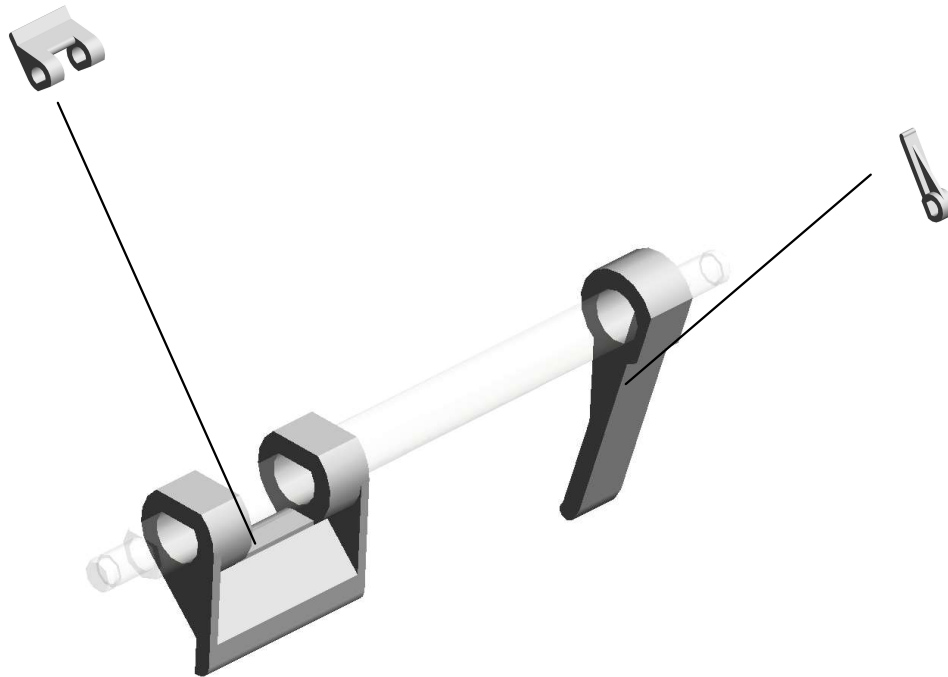
U001	U002	U003	U004	U005	U006	U007	U008	U009	U010	U011	U012	U013	U014	U015	U016	U017	U018	U019	U020
------	------	------	------	------	------	------	------	------	------	------	------	------	------	------	------	------	------	------	------

U013_S002
LINK:REVERSE ROLLER:ASS'Y

224.G1787453
ARM:ON-OFF:TRANSPORT ROLLER



243.D0A54647
LINK:REVERSE ROLLER:ASSY

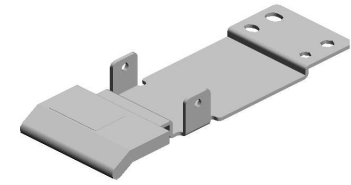


103.D0742652
LEVER:LINK:TRANSPORT ROLLER

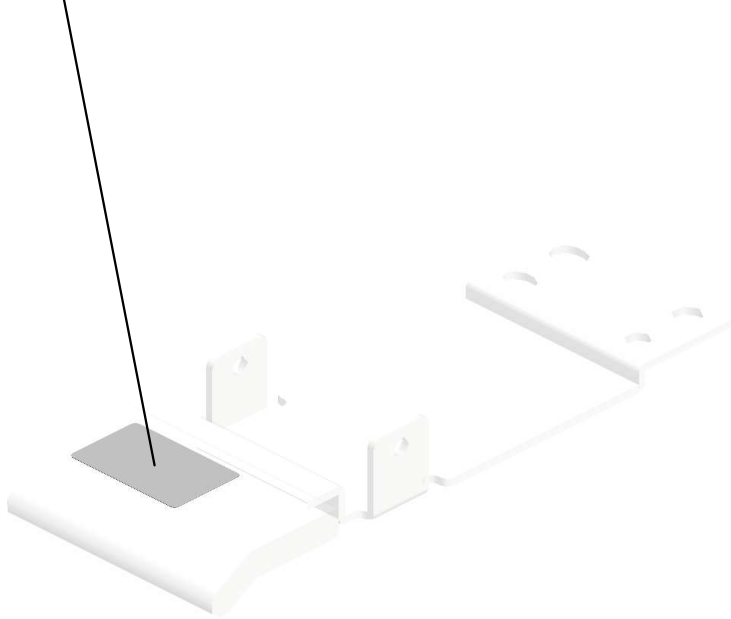
U001	U002	U003	U004	U005	U006	U007	U008	U009	U010	U011	U012	U013	U014	U015	U016	U017	U018	U019	U020
------	------	------	------	------	------	------	------	------	------	------	------	------	------	------	------	------	------	------	------

U013_S003
GRIP:DUPLEX:GUIDE PLATE:LEFT

110.D0744552
DECAL:PULL OUT:
LEFT:Z3



124.D0744826
GRIP:DUPLEX:GUI
DE PLATE:LEFT



U001	U002	U003	U004	U005	U006	U007	U008	U009	U010	U011	U012	U013	U014	U015	U016	U017	U018	U019	U020
------	------	------	------	------	------	------	------	------	------	------	------	------	------	------	------	------	------	------	------

U013_S004
OPTICAL READING UNIT:COOLING:EXIT:ASS'Y

30.11050600 (x4) CLAMP:LWSM-030 6-2M
 2.03530040N (x4) SCREW - M3X4
 59.AA084059 (x2) BALL BEARING HOLDER
 55.AA063675 (x2) SPRING - 5N



254.D0A57642
 [A]
 OPTICAL READING
 UNIT:COOLING:EX
 IT:ASS'Y
 202205-01 O/O

173.D0A57600
 (x2)
 CONTACT IMAGE S
 ENSOR:FA4CFC-02

38.11050761
 CLAMP:LWS-0511A

174.D0A57621
 DECAL:GRIP:SCAN
 NING:D3



4.03540060N
 (x2)
 SCREW-M4X6



271.D0A57675
 SLOPE:COVER:CO
 NTACTION IMAGE SEN
 SOR

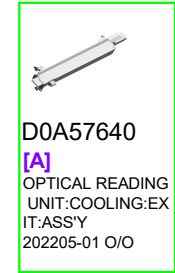
2.03530040N (x 2)
 SCREW - M3X4
 7.03603006N (x 4)
 SCREW - M3X6
 15.04543006Q (x 1)
 TAPPING SCREW - M3X6

258.D0A55474
 PCB:SSB

36.11050758
 (x6)
 CLAMP:LWSM-030
 6A

230.GW010007
 PHOTO REFLECTI
 ON SENSOR:EXIT

7.03603006N (x16) SCREW - M3X6
 157.D0A55490 PCB:TACT_SNS
 32.11050692 CLAMP:LES-0503
 253.D0A54905 TRANSPORT ROLL
 ER:DRIVEN:PRESS
 FIT



D0A57640
 [A]
 OPTICAL READING
 UNIT:COOLING:EX
 IT:ASS'Y
 202205-01 O/O

U001	U002	U003	U004	U005	U006	U007	U008	U009	U010	U011	U012	U013	U014	U015	U016	U017	U018	U019	U020
------	------	------	------	------	------	------	------	------	------	------	------	------	------	------	------	------	------	------	------

U013_S005
SHADING PLATE:TURN:ASS'Y

158.D0A57529 (x4)
GEAR:ROLLER:SHADING

170.D0A57597
ROLLER:SHADING:WHITE:LARGE:PRESS FIT

168.D0A57595
ROLLER:SHADING:BLACK:LARGE:PRESS FIT

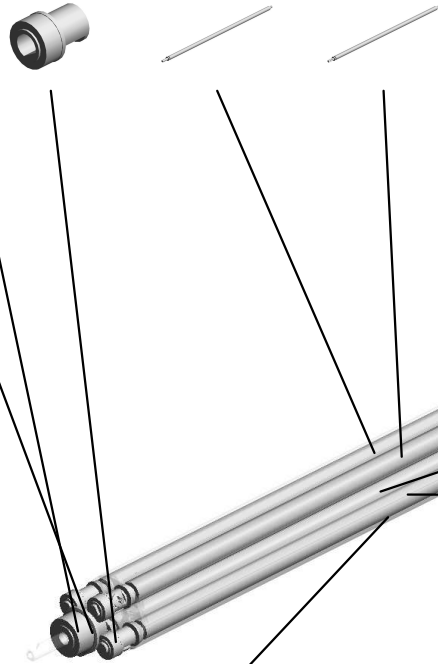


164.D0A57580
SHADING PLATE:TURN:ASS'Y

159.D0A57530
GEAR:PULLEY:ROLLER:SHADING



98.C2442454 (x4)
SCREW M3X6



19.07200040E (x 5)
RETAINING RING - M4

23.07413706 (x4)
BALL BEARING - 6X10X3



247.D0A57521
ROLLER:SHADING:WHITE:SMALL:PRESS FIT
201812-07 X/O



169.D0A57596
ROLLER:SHADING:BLACK:SMALL:PRESS FIT



176.D0A57665
ADJUSTING PLATE:FILM:GRAY



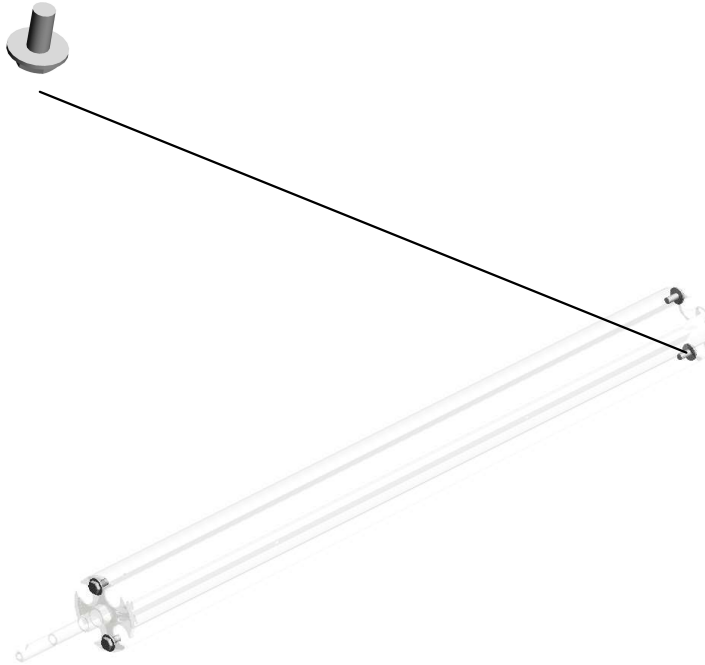
U001	U002	U003	U004	U005	U006	U007	U008	U009	U010	U011	U012	U013	U014	U015	U016	U017	U018	U019	U020
------	------	------	------	------	------	------	------	------	------	------	------	------	------	------	------	------	------	------	------

U013_S005_S001
BASE:SHADING:ASS'Y

7.03603006N
(x4)
SCREW - M3X6



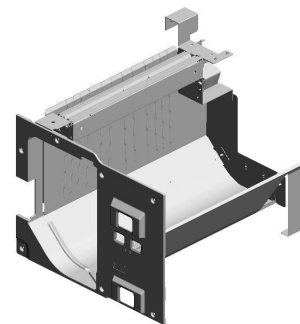
165.D0A57581
BASE:SHADING:AS
SY



U001	U002	U003	U004	U005	U006	U007	U008	U009	U010	U011	U012	U013	U014	U015	U016	U017	U018	U019	U020
------	------	------	------	------	------	------	------	------	------	------	------	------	------	------	------	------	------	------	------

U014 DUPLEX

- 12.AA063674 (x2) SPRING - 8N
- 13.AA084059 (x2) BALL BEARING HOLDER
- 20.D0744857 GUIDE PLATE:RECEIVING SUB-UNIT:LEFT LOWER
- 23.D0744881 GUIDE PLATE:PRESSURE ROLLER:DUPLEX:REVERSE
- 22.D0744871 GUIDE PLATE:TRANSPORT ROLLER:DUPLEX:REVERSE



4.04513006N
(x11)
TAPPING SCREW - 3X6



8.07200060E
(x2)
RETAINING RING - M6



9.07423808
BALL BEARING - 8 X16X5



18.D0744559
DECAL:RECEIVING SUB-UNIT:E



5.04514008N
(x20)
TAPPING SCREW:4 X8



19.D0744853
INNER COVER:RECEIVING SUB-UNIT:LEFT LOWER



17.B1325996
DECAL:TOTAL COUNTER



21.D0744865
BRACKET:SENSOR:RECEIVING SUB-UNIT:LEFT LOWER



15.AW010143
PHOTO REFLECTION SENSOR:PSR11T L1R-C



10.11050723
CLAMPS:WES-0507



16.AX040276
STEPPER MOTOR:MM56:TRANSPORT



- 1.03530100N (x 1) SCREW-M3X10
- 2.03604006N (x 2) SCREW - M4X6
- 3.03604010N (x 2) SCREW:M4X10
- 5.04514008N (x 2) TAPPING SCREW:4X8

14.AA161122
MOTOR CUSHION



11.11050758
(x7)
CLAMP:LWSM-0306A



6.04543006Q
(x7)
TAPPING SCREW - M3X6



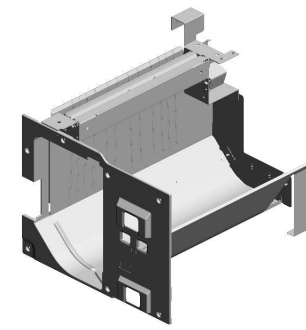
7.04544008Q
(x2)
TAPPING SCREW - M4X8



U001	U002	U003	U004	U005	U006	U007	U008	U009	U010	U011	U012	U014	U015	U016	U017	U018	U019	U020
------	------	------	------	------	------	------	------	------	------	------	------	------	------	------	------	------	------	------

U014
 DUPLEX

32.M0774862 TRANSPORT ROLLER:DRIVEN:DUPLEX:DIA18X2
 25.D0A54872 BRACKET:TRANSPORT ROLLER:DUPLEX:REVERSE:RIGHT
 29.D0A54998 TIMING PULLEY:S2M:30T



24.D0744885 GUIDE PLATE:PRESSURE ROLLER:DUPLEX:REVERSE:LEFT

28.D0A54934 TRANSPORT ROLLER:DRIVE:REVERSE:PRESS FIT

30.D1796762 SYNCHRONOUS BELT:60S2M166

26.D0A54889 GUIDE PLATE:RECEIVING SUB-UNIT:LEFT LOWER:LOWER:PEEN

27.D0A54891 GUIDE PLATE:RECEIVING SUB-UNIT:LEFT LOWER:EXTENSION GUIDE

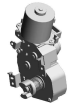


31.D1947380 DECAL:SWITCH:HEATER:INTERMEDIATE TRANSFER

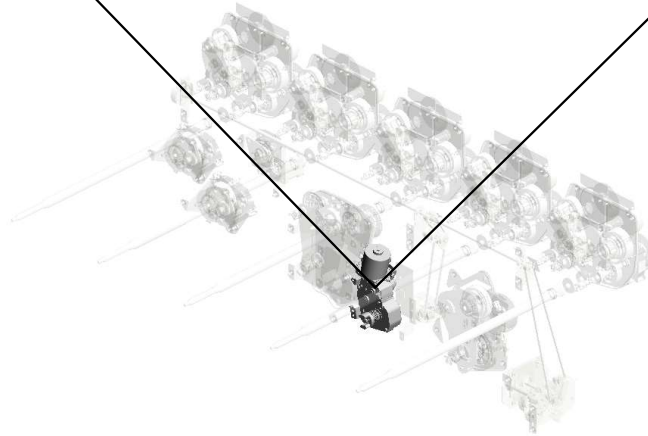
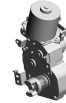
U001	U002	U003	U004	U005	U006	U007	U008	U009	U010	U011	U012	U013	U014	U015	U016	U017	U018	U019	U020
------	------	------	------	------	------	------	------	------	------	------	------	------	------	------	------	------	------	------	------

U015.MAIN DRIVE

U015 S001
AX060510
DRIVE SUB-UNIT:ON-OFF:PR
ESSURE ROLLER

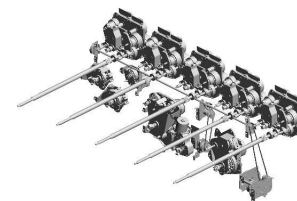


U015 S002
AX060510
DRIVE SUB-UNIT:ON-OFF:PR
ESSURE ROLLER



U001	U002	U003	U004	U005	U006	U007	U008	U009	U010	U011	U012	U013	U014	U015	U016	U017	U018	U019	U020
------	------	------	------	------	------	------	------	------	------	------	------	------	------	------	------	------	------	------	------

U015 MAIN DRIVE



- 15.09544008N (x18) SCREW - M4X8
- 5.03604006N (x33) SCREW - M4X6
- 6.03604008N (x13) SCREW - M4X8
- 7.03604010N (x24) SCREW:M4X10
- 4.03603014N (x9) SCREW - M3X14

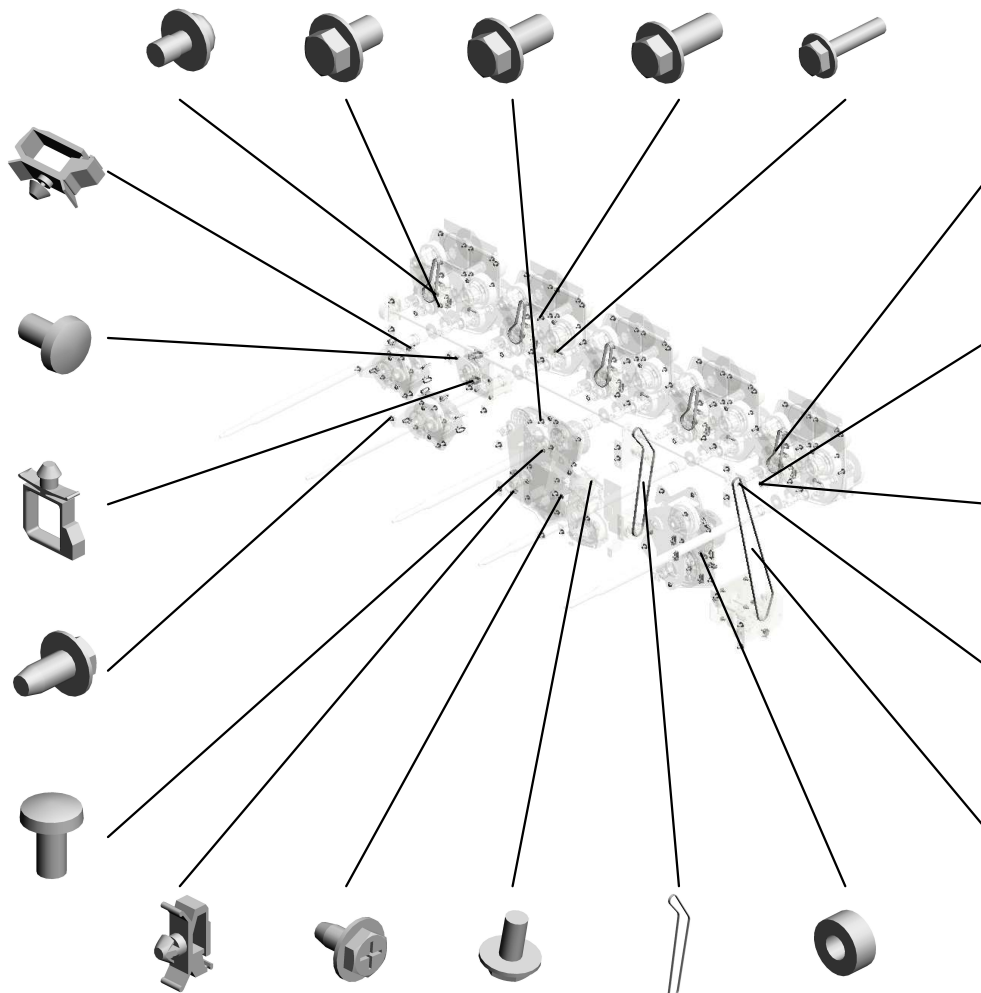
18.11050760
(x32)
CLAMP:LWSM-051
1A

1.03530050N
(x4)
SCREW-M3X5

19.11050763
(x2)
CLAMP:LWS-1211A

9.04514008N
(x30)
TAPPING SCREW:4
X8

2.03530060N
(x4)
BIND SCREW - M3
X6



22.AA043989
(x9)
SYNCHRONOUS B
ELT:60S2M194

10.07080040N
(x9)
WASHER - DIA4

11.07200030E
(x11)
RETAINING RING -
M3

12.07200040E
(x2)
RETAINING RING -
M4

21.AA043646
(x2)
SYNCHRONOUS B
ELT:40S2M596

16.11050724
(x2)
CLAMPS:WES-1210

17.11050758
(x8)
CLAMP:LWSM-030
6A

3.03603006N(x 2)
SCREW - M3X6

7.03604010N(x 3)
SCREW:M4X10

9.04514008N(x 2)
TAPPING SCREW:4X8

11.07200030E(x 1)
RETAINING RING - M3

12.07200040E(x12)
RETAINING RING - M4

17.11050758
(x24)
CLAMP:LWSM-030
6A

8.04513006N
(x8)
TAPPING SCREW -
3X6

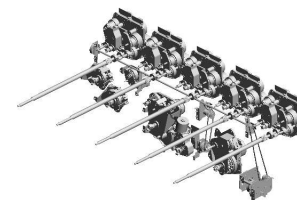
3.03603006N
(x157)
SCREW - M3X6

20.AA043645
(x2)
SYNCHRONOUS B
ELT:40S2M426

14.07403804
(x2)
BALL BEARING:DIA
4XDIA9X4

U001	U002	U003	U004	U005	U006	U007	U008	U009	U010	U011	U012	U013	U014	U015	U016	U017	U018	U019	U020
------	------	------	------	------	------	------	------	------	------	------	------	------	------	------	------	------	------	------	------

U015 MAIN DRIVE



- 33.AB017881 (x2) GEAR:PULLEY:DRIVE:USED TONER:44Z/32T
- 38.AB030851 (x4) PULLEY:DRIVE:USED TONER:25T
- 37.AB030850 (x2) PULLEY:TIGHTENER:DRIVE:USED TONER
- 24.AA061111 (x2) TENSION SPRING:MIDDLE:DRIVE:USED TONER
- 39.AB030852 (x4) PULLEY:IDLER:DRIVE:USED TONER:32T

26.AB013765
(x2)
GEAR:DRIVE:USED TONER:36Z



32.AB017880
(x4)
GEAR:IDLER:DRIVE:EXIT:Z101/42



31.AB017860
(Pro C7200SX/C7210SX/C7200X/C7210X):GEAR:DRIVE:Z61:Z18



27.AB017815
(x2)
GEAR:Z24:Z41



42.AX060462
(x2)
DC MOTOR:DIA73:56W:BRUSHLESS



41.AX060459
(x9)
DC MOTOR:DIA63:24V:24.4W:BRUSHLESS



29.AB017857
(x9)
GEAR:PULLEY:DEVELOPMENT DRIVE UNIT:65Z/30T



30.AB017858
(x9)
GEAR:64Z/51Z



28.AB017820
(x2)
GEAR:DRIVE:101Z/52Z



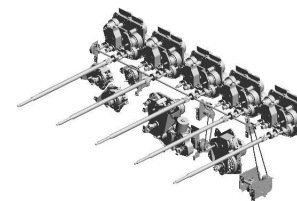
23.AA061110
(x2)
TENSION SPRING:TIGHTENER:DRIVE UNIT:USED TONER



- 40.AW020217 (x4) OPTICS SENSOR:ENCODER:300LPI
- 35.AB017883 (x2) GEAR:IDLER:DRIVE UNIT:USED TONER:77Z/23Z
- 25.AB011550 (x2) GEAR:DRIVE UNIT:USED TONER:35Z
- 34.AB017882 (x2) GEAR:DRIVE UNIT:USED TONER:48Z/24Z
- 36.AB017884 (x2) GEAR:PULLEY:DRIVE UNIT:USED TONER:36Z/32T



U015 MAIN DRIVE



- 47.AX061315 (x9) DC MOTOR:DIA65:24V:23.5W
- 54.D0741465 (x2) BRACKET:TENSION:DRIVE:USED TONER:ASSY
- 55.D0741466 (x2) BRACKET:TIGHTNER:DRIVE:USED TONER:ASSY
- 63.D0741496 (x2) JOINT:DRIVE:USED TONER
- 57.D0741470 (x2) SHAFT:LEFT:DRIVE:USED TONER:ASSY

- 59.D0741476 (x2) HOLDER:RIGHT:DRIVE:USED TONER

- 46.AX061204 (x6) DC MOTOR:11.5W:BRUSHLESS

- 53.D0741464 (x2) SHAFT:RIGHT:DRIVE:USED TONER:ASSY

- 49.AX061318 (Pro C7200SX/C7210SX/C7200X/C7210X):STEPPER MOTOR:DC32.4W1.35A

- 44.AX060503 (x2) DC MOTOR:39.5W:BRUSHLESS

- 43.AX060463 (x9) DC MOTOR:DIA56:14.7W:BRUSHLESS

- 60.D0741484 (x2) HOLDER:LEFT:DRIVE:USED TONER

- 48.AX061316 (x2) DC MOTOR:DIA63:27.7W:BRUSHLESS

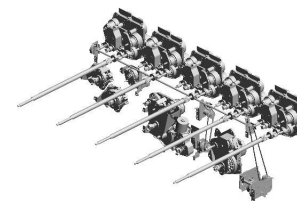
- 50.B2236171 (x2) RUBBER BUSHING:ENCODER

- 58.D0741473 (x2) BRACKET:TENSION:DRIVE UNIT:USED TONER:ASSY

- 56.D0741468 (x2) BRACKET:MIDDLE:DRIVE:USED TONER:ASSY
- 52.D0741379 (x2) BRACKET:PLATE
- 51.D0741369 (x2) COVER:ENCODER
- 61.D0741486 (x2) BRACKET:MOTOR:DRIVE:USED TONER
- 62.D0741487 (x2) BRACKET:DRIVE UNIT:USED TONER

U001	U002	U003	U004	U005	U006	U007	U008	U009	U010	U011	U012	U013	U014	U015	U016	U017	U018	U019	U020
------	------	------	------	------	------	------	------	------	------	------	------	------	------	------	------	------	------	------	------

U015 MAIN DRIVE



- 77.D0A51671 (Pro C7200SX/C7210SX/C7200X/C7210X):BRACKET:DRIVE:ON-OFF:5ST:ASSY
- 72.D0A51561 (x2) SHAFT:OUTPUT:POLISH:ON-OFF:ASSY
- 71.D0A51560 (x2) SHAFT:OUTPUT:DRIVE:FUSING:ASSY
- 73.D0A51563 (x2) SHAFT:OUTPUT:POLISH:FUSING:ASSY
- 84.D1941501 (x2) BRACKET:DC BRUSHLESS MOTOR:ASSY

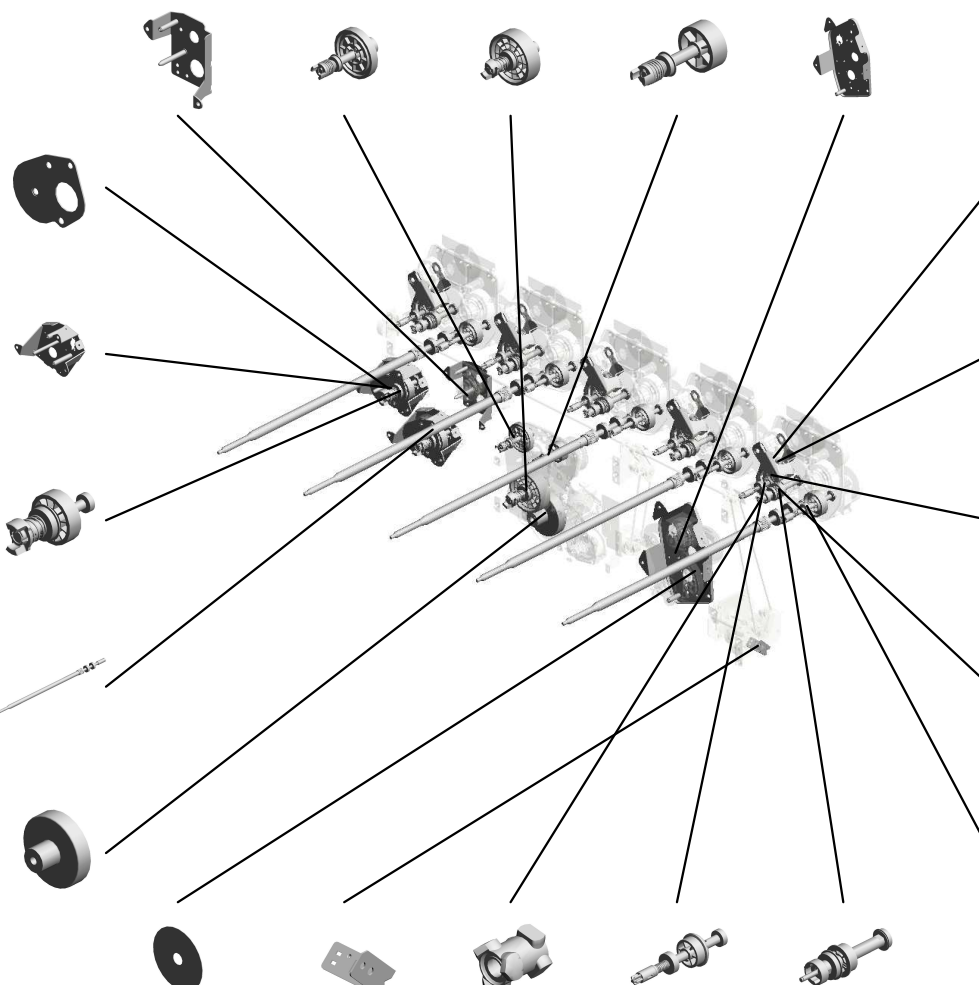
74.D0A51610 (x4) BRACKET:AUXILIARY:DRIVE:EXIT

75.D0A51611 (x4) BRACKET:DRIVE:EXIT:ASSY

76.D0A51617 (x4) SHAFT:DRIVE:EXIT:ASSY

67.D0A51428 (x9) DRUM SHAFT:ASSY

70.D0A51556 (x2) GEAR:IDLER:FUSING:Z78/Z21



82.D1941437 (x9) TIGHTENER:DEVELOPMENT SLEEVE

81.D1941436 (x9) TENSION SPRING:TIGHTENER:DRIVE:AROUND THE PHOTOCONDUCTOR

79.D1941428 (x9) TIGHTENER:DRIVE:DEVELOPMENT:ASSY

65.D0A51418 (x9) TENSION SPRING:DEVELOPMENT

66.D0A51426 (x9) SHAFT:DRIVE:BRUSH ROLLER:ASSY

83.D1941496 (x2) ENCODER:ASSY

64.D0741498 (x2) BRACKET:SENSOR

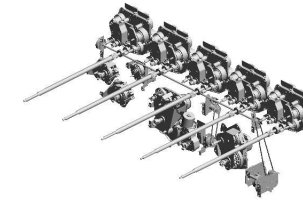
80.D1941433 (x9) JOINT:DEVELOPMENT SLEEVE:DRIVE:MIDDLE

69.D0A51481 (x9) SHAFT:DRIVE:TRANSPORT SCREW:ASSY

68.D0A51431 (x9) SHAFT:DRIVE:DEVELOPMENT SLEEVE:ASSY

U001	U002	U003	U004	U005	U006	U007	U008	U009	U010	U011	U012	U013	U014	U015	U016	U017	U018	U019	U020
------	------	------	------	------	------	------	------	------	------	------	------	------	------	------	------	------	------	------	------

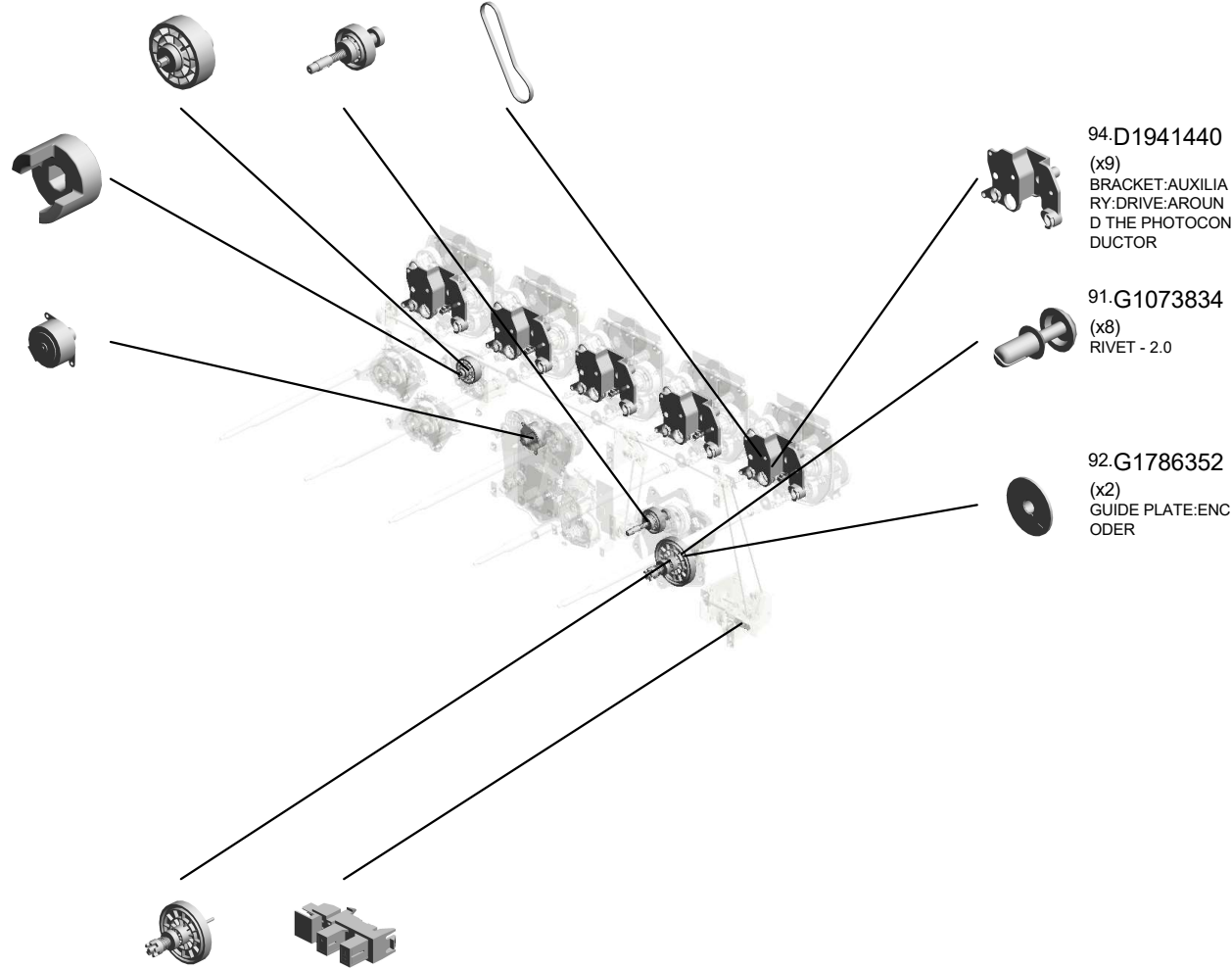
U015 MAIN DRIVE



- 88.D1941630 (Pro C7200SX/C7210SX/C7200X/C7210X):SHAFT:OUTPUT:ON-OFF:5ST:ASSY
- 86.D1941509 (x2) SHAFT:DRIVE:BELT CLEANING:ASSY
- 90.G0603945 (x9) TIMING BELT - TRANSFER BELT DRIVE

- 87.D1941629 (Pro C7200SX/C7210SX/C7200X/C7210X):JOINT:DRIVE:ON-OFF:5ST

- 89.D1946177 (x2) DC STEPPER MOTOR:DIA42:24V



- 85.D1941508 (x2) SHAFT:DRIVE:TRANSFER:ASSY
- 93.GW020022 (x11) PHOTOINTERRUPTOR:LG2A24BL1

- 94.D1941440 (x9) BRACKET:AUXILIARY:DRIVE:AROUND THE PHOTOCONDUCTOR

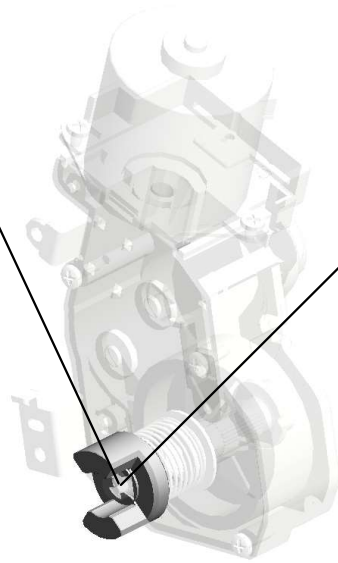
- 91.G1073834 (x8) RIVET - 2.0

- 92.G1786352 (x2) GUIDE PLATE:ENCODER

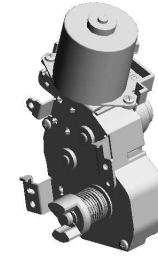
U001	U002	U003	U004	U005	U006	U007	U008	U009	U010	U011	U012	U013	U014	U015	U016	U017	U018	U019	U020
------	------	------	------	------	------	------	------	------	------	------	------	------	------	------	------	------	------	------	------

U015_S001
DRIVE SUB-UNIT:ON-OFF:PRESSURE ROLLER

13.07200050E
RETAINING RING -
M5



78.D1381289
JOINT:FUSING:ON-
OFF

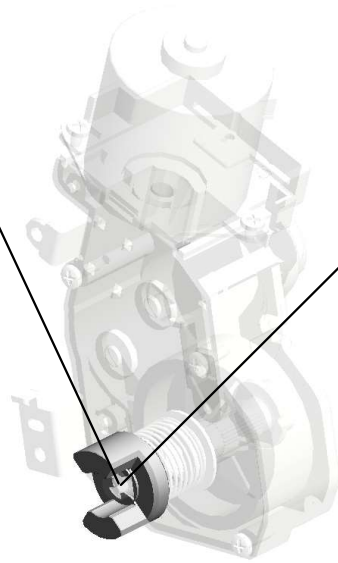


45.AX060510
DRIVE SUB-UNIT:O
N-OFF:PRESSURE
ROLLER

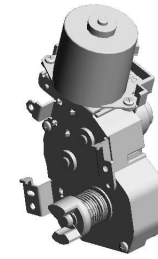
U001	U002	U003	U004	U005	U006	U007	U008	U009	U010	U011	U012	U013	U014	U015	U016	U017	U018	U019	U020
------	------	------	------	------	------	------	------	------	------	------	------	------	------	------	------	------	------	------	------

U015_S002
DRIVE SUB-UNIT:ON-OFF:PRESSURE ROLLER

13.07200050E
RETAINING RING -
M5



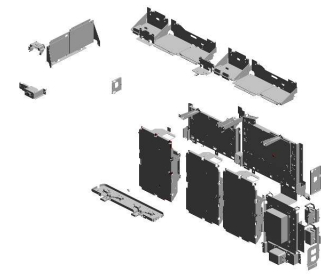
78.D1381289
JOINT:FUSING:ON-
OFF



45.AX060510
DRIVE SUB-UNIT:O
N-OFF:PRESSURE
ROLLER

U001	U002	U003	U004	U005	U006	U007	U008	U009	U010	U011	U012	U013	U014	U015	U016	U017	U018	U019	U020
------	------	------	------	------	------	------	------	------	------	------	------	------	------	------	------	------	------	------	------

U016 ELECTRICAL



- 1.03603006N (x61) SCREW - M3X6
- 17.11050758 (x2) CLAMP:LWSM-030 6A 201901-07
- 8.04544008Q (x4) TAPPING SCREW - M4X8
- 22.11050764 (x2) CLAMP:LWS-1316A
- 18.11050760 CLAMP:LWSM-051 1A

- 6.04513006N (x2) TAPPING SCREW - 3X6

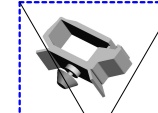
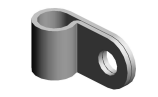
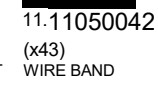
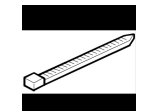
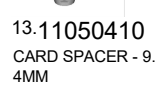
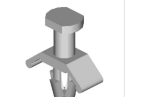
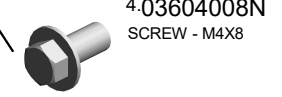
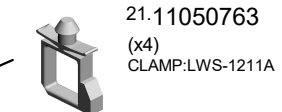
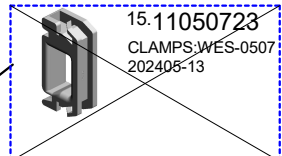
- 7.04514008N (x52) TAPPING SCREW:4 X8

- 26.12042614 SWITCH AC250V/1 6A

- 2.03603014N (x4) SCREW - M3X14

- 25.12042612 (x4) MICRO SWITCH:D3 V-16506-3C25

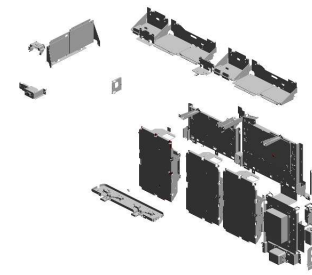
- 3.03603030N (x4) SCREW:M3X30
- 23.11050765 (x7) CLAMP:LWS-2218A
- 12.11050409 (x19) CARD SPACER- 6.4 MM
- 28.16071799 FILTER - SUP-ET20 -ER-0
- 24.11071281 (x2) FUSE:BJ52012F2



U001	U002	U003	U004	U005	U006	U007	U008	U009	U010	U011	U012	U013	U014	U015	U016	U017	U018	U019	U020
------	------	------	------	------	------	------	------	------	------	------	------	------	------	------	------	------	------	------	------

U016 ELECTRICAL

- 46.D1495884 COMPRESSION SP RING:KEYTOP
- 32.AZ310045 (x3) POWER PACK:B:T3
- 44.D0AL5494 (Pro C7200SX/C7210SX/C7200X/C7210X):PCB:EXDB
- 33.B3031116 GROUNDING PLATE
- 38.D0A52279 BASE:ELECTRIC POTENTIAL SENSOR



45.D1495883
KEYTOP:MAIN SWITCH

47.D1775686
PCB:DCSW

37.D0745920
BRACKET:MAIN SWITCH

34.C2182185
(x2)
STEPPER SCREW

36.D0745917
(x2)
ARM:SAFETY SWITCH

35.D0745916
(x2)
SPRING PLATE:SAFETY SWITCH

48.D1945914
BRACKET:SAFETY SWITCH

39.D0A55433
AC CONTROL BOARD

29.AX640199
(x3)
FAN:MM80:25MM:DC 2.16W

30.AZ250066
(x2)
POWER SUPPLY UNIT:864W

43.D0A55520
PCB:TDCU:ASSY

41.D0A55502
PCB:IOB

49.D1945926
BRACKET:CONNECTOR:LARGE CAPACITY TRAY

40.D0A55435
PCB:ACRY

42.D0A55516
PCB:PFB



18.11050760
(x17)
CLAMP:LWSM-0511A



19.11050761
(x2)
CLAMP:LWS-0511A



20.11050762
(x8)
CLAMP:LWS-0711A



21.11050763
(x9)
CLAMP:LWS-1211A



22.11050764
(x9)
CLAMP:LWS-1316A



23.11050765
(x5)
CLAMP:LWS-2218A



64.D0CQ5100
(x2)
SD-CARD:NICE-APPLICATION:ASSY 202110-02 O/O

U001	U002	U003	U004	U005	U006	U007	U008	U009	U010	U011	U012	U013	U014	U015	U016	U017	U018	U019	U020
------	------	------	------	------	------	------	------	------	------	------	------	------	------	------	------	------	------	------	------

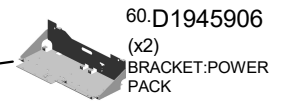
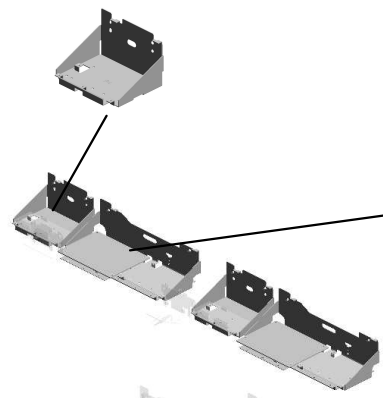
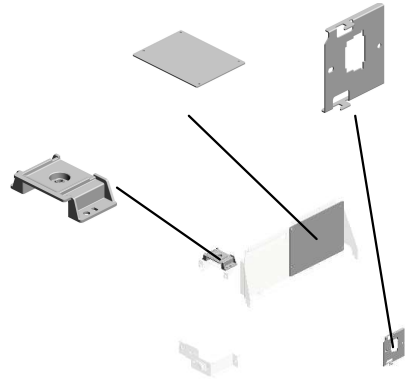
U016 ELECTRICAL

62.AZ310052
(x3)
POWER PACK:CHA
RGE
202012-02 X/O

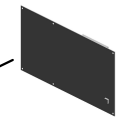
50.D1945927
BRACKET:CONNE
CTOR:FIN

65.M0EB5907
(x2)
BRACKET:BASE:EL
ECTRIC POTENTIA
L SENSOR:P4
202302-01 O/O

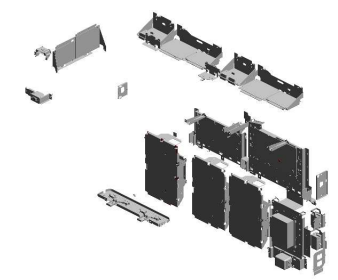
51.D1945932
COVER:DCSW



60.D1945906
(x2)
BRACKET:POWER
PACK



63.M0BH5405
PCB:BCU:ASS'Y
202012-01 X/O



1.03603006N (x27)
SCREW - M3X6

3.03603030N (x 2)
SCREW:M3X30

4.03604008N (x 1)
SCREW - M4X8

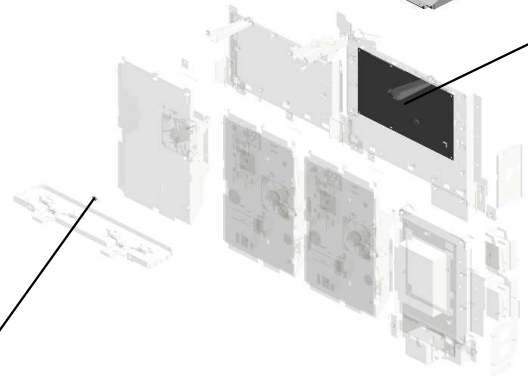
5.04340200N (x 4)
PAN SELF-TAPPING SCREW:4X20

7.04514008N (x 6)
TAPPING SCREW:4X8

10.09505010N (x 2)
SCREW:SPRING WASHER:M5X10



59.11050702
CLAMP:LWC-3AB
201901-06



U001	U002	U003	U004	U005	U006	U007	U008	U009	U010	U011	U012	U013	U014	U015	U016	U017	U018	U019	U020
------	------	------	------	------	------	------	------	------	------	------	------	------	------	------	------	------	------	------	------

U017.CONTROLLER:(C7200+/C7210+)

U017 S005
D1941265
COVER:C/T BOX:LEFT:ASS'Y

U017 S002
D1947250
LIQUID COOLING:FAN:ASS'Y

U017 S006
D0A55832
HDD UNIT:ASS'Y

U017 S001
D0741251
DUCT:EXHAUST:EXIT:ASS'Y

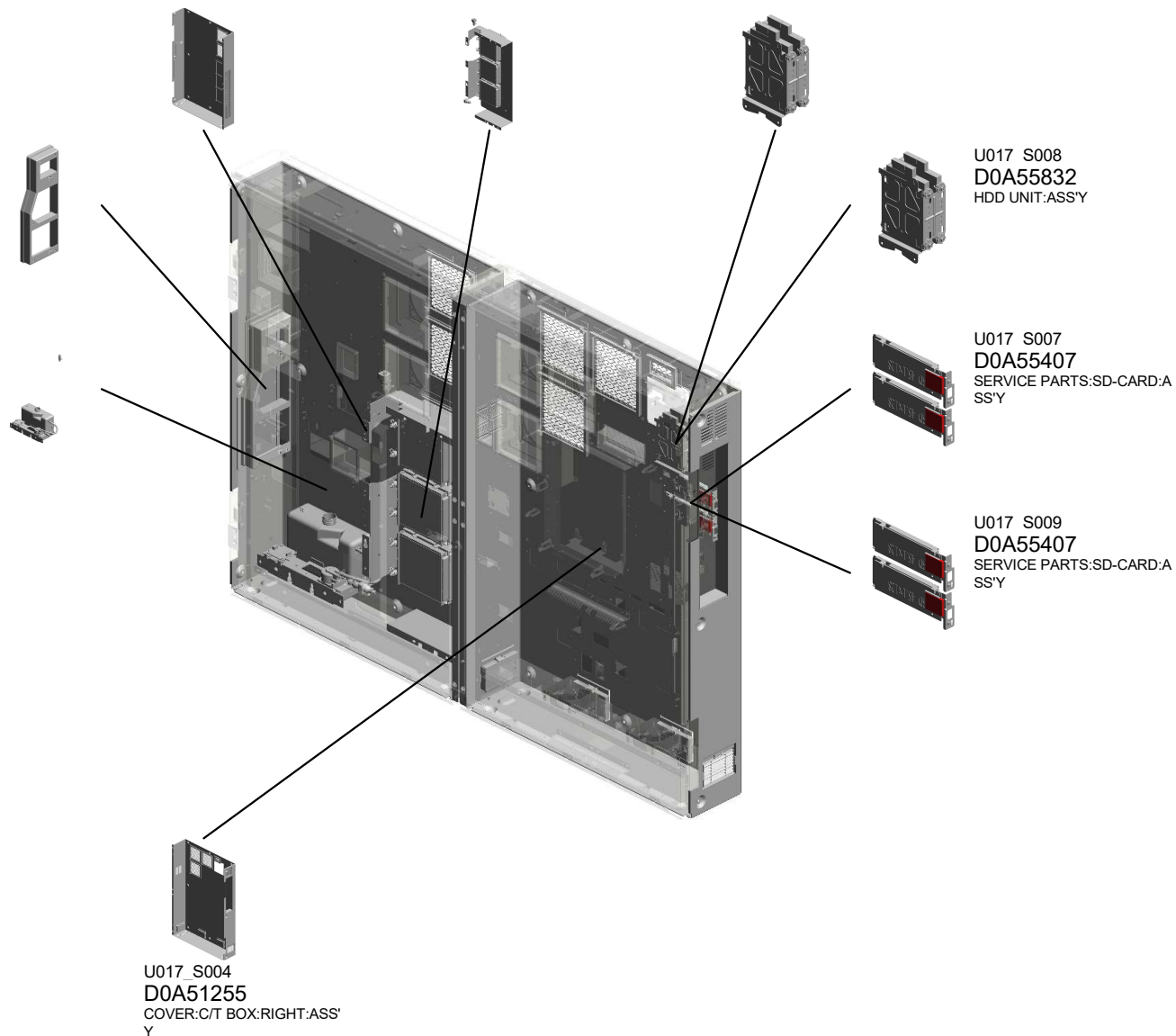
U017 S003
D1948515
LIQUID COOLING:PT:ASS'Y

U017 S008
D0A55832
HDD UNIT:ASS'Y

U017 S007
D0A55407
SERVICE PARTS:SD-CARD:A
SS'Y

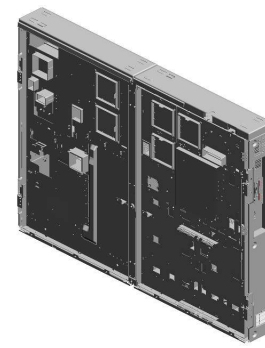
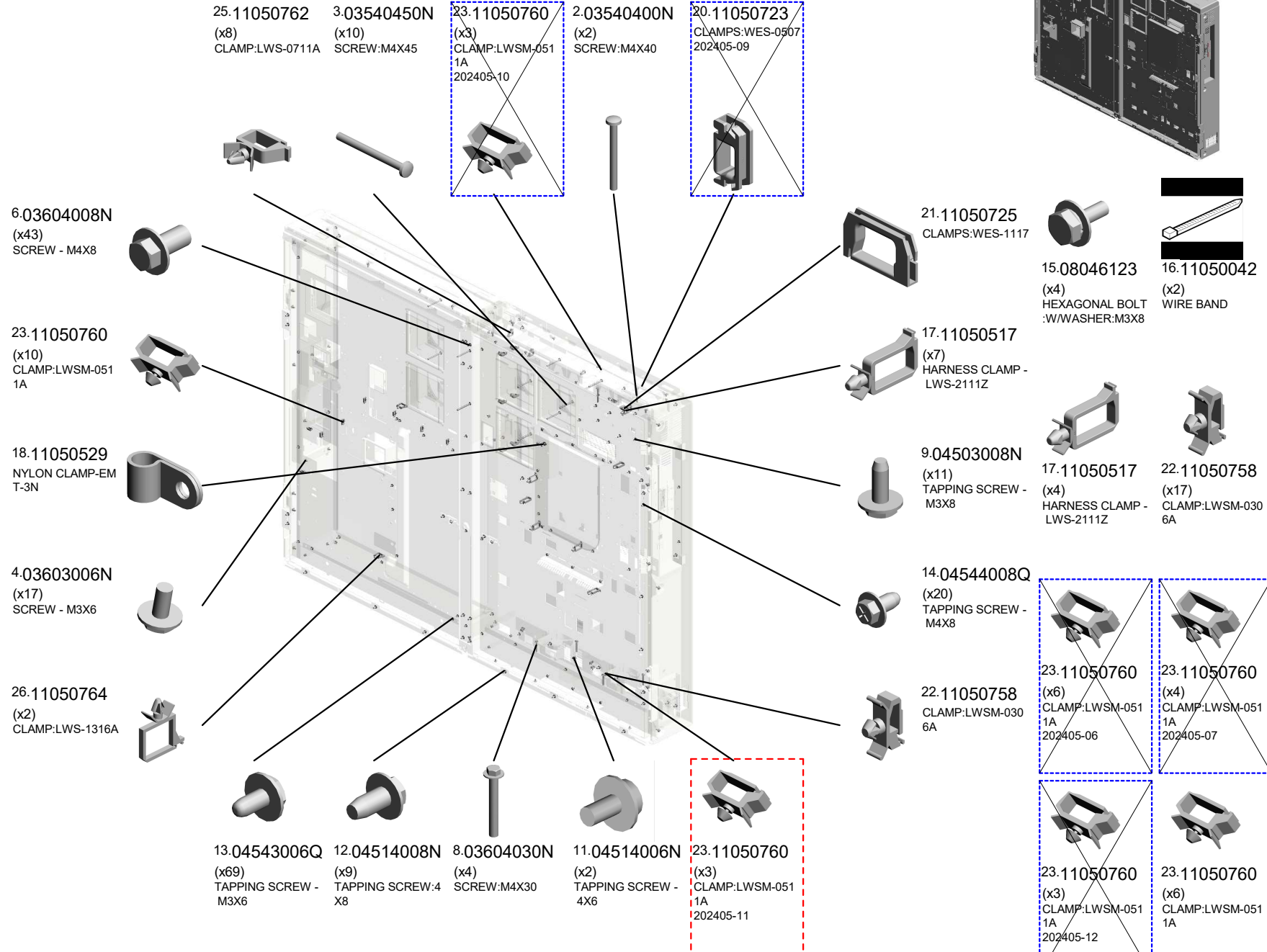
U017 S009
D0A55407
SERVICE PARTS:SD-CARD:A
SS'Y

U017 S004
D0A51255
COVER:C/T BOX:RIGHT:ASS'Y



U001	U002	U003	U004	U005	U006	U007	U008	U009	U010	U011	U012	U013	U014	U015	U016	U017	U018	U019	U020
------	------	------	------	------	------	------	------	------	------	------	------	------	------	------	------	------	------	------	------

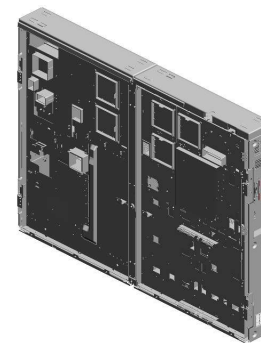
U017 CONTROLLER:(C7200+/C7210+)



U001	U002	U003	U004	U005	U006	U007	U008	U009	U010	U011	U012	U013	U014	U015	U016	U017	U018	U019	U020
------	------	------	------	------	------	------	------	------	------	------	------	------	------	------	------	------	------	------	------

U017 CONTROLLER:(C7200+/C7210+)

- 45.D0141248 (x4) PLATE:LEVER:DRUM STAY:LEFT
- 41.B1322366 (x2) LEVER:DRUM STAY:LEFT
- 36.AX660914 (x5) DC FAN MOTOR:DC24V:MM120:PWM CONTROL
- 35.AX660015 (x2) DC FAN MOTOR:SI ROCCO:DC24V:PWM
- 43.B7125605 (x2) GRIP:APPLICATION



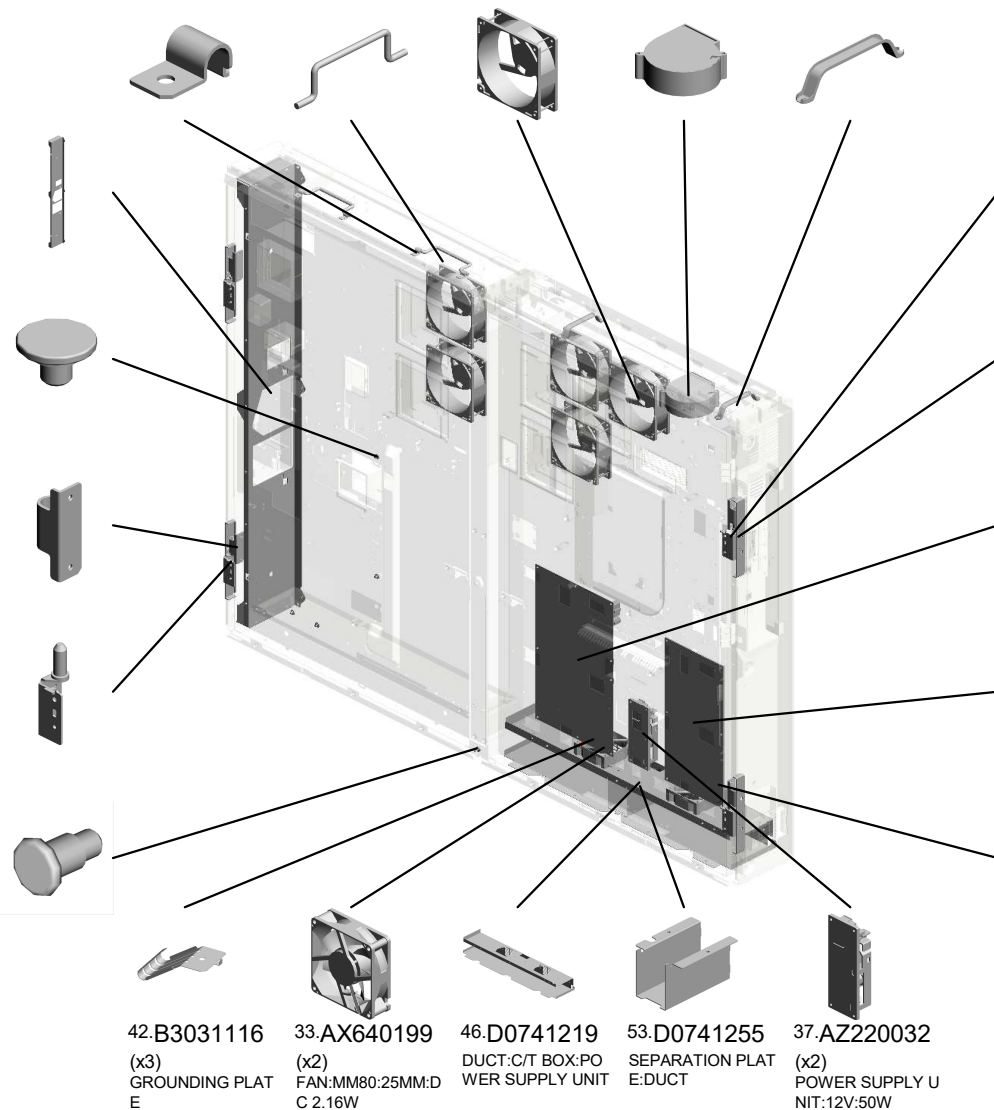
52.D0741254
SIDE PLATE:C/T BOX:LEFT

44.C2182185
(x4)
STEPPER SCREW

50.D0741250
(x4)
ARM:HINGE:C/T BOX

49.D0741230
(x2)
HINGE:C/T BOX:LEFT UPPER:PEEN

30.AA143545
SCREW:M4



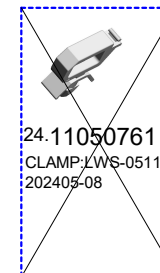
47.D0741225
(x2)
HINGE:C/T BOX:RIGHT UPPER:PEEN

48.D0741228
(x4)
COVER:HINGE

39.AZ250066
(x2)
POWER SUPPLY UNIT:864W

38.AZ230334
(x2)
POWER SUPPLY UNIT

29.A2671820
(x2)
SHEET - PHOTO INTERRUPTER



24.11050761
CLAMP:LWS-0511A
202405-08



25.11050762
(x3)
CLAMP:LWS-0711A



26.11050764
(x14)
CLAMP:LWS-1316A



27.11050765
(x2)
CLAMP:LWS-2218A



40.B0391367
RIVET - M6

42.B3031116
(x3)
GROUNDING PLATE

33.AX640199
(x2)
FAN:MM80:25MM:DC 2.16W

46.D0741219
DUCT:C/T BOX:POWER SUPPLY UNIT

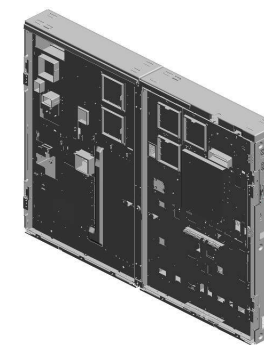
53.D0741255
SEPARATION PLATE:DUCT

37.AZ220032
(x2)
POWER SUPPLY UNIT:12V:50W

4.03603006N (x89)
SCREW - M3X6
6.03604008N (x7)
SCREW - M4X8

U001	U002	U003	U004	U005	U006	U007	U008	U009	U010	U011	U012	U013	U014	U015	U016	U017	U018	U019	U020
------	------	------	------	------	------	------	------	------	------	------	------	------	------	------	------	------	------	------	------

U017 CONTROLLER:(C7200+/C7210+)



- 70.D0747752 (x8) CAP:COVER:TONE R SUPPLY
- 60.D0747114 (x6) BRACKET:FAN:DU CT:EXHAUST:C/T B OX
- 62.D0747123 DUCT:REAR:OZON E UNIT:C/T BOX
- 55.D0741271 (x2) SEAL:COVER:C/T B OX:UPPER
- 56.D0741288 SIDE PLATE:C/T B OX:UPPER

61.D0747122
DUCT:FRONT:OZO
NE UNIT:C/T BOX

65.D0747128
SEAL:LOWER:DU
CT:OZONE FILTER:C
/T BOX

63.D0747125
COVER:DUCT:OZO
NE UNIT:C/T BOX

64.D0747126
SEAL:COVER:DU
CT:OZONE UNIT:C/T
BOX

66.D0747130
SEAL:EXIT:DUCT:O
ZONE FILTER:C/T
BOX

68.D0747194
(x4)
BRACKET:DUCT:E
XHAUST:C/T BOX

81.D0A57109
SEAL:DUCT:EXHA
UST:C/T BOX:EXIT

80.D0A57107
(x2)
SEAL:DUCT:EXHA
UST:C/T BOX:FRO
NT

77.D0A55410
(x2)
PCB:RYB

57.D0745870
DUCT:AUXILIARY:P
OWER SUPPLY UN
IT

83.D0A57135
(x5)
OZONE FILTER:C/T
BOX:MM120:10MM

84.D0A57146
DUCT:EXHAUST:A
BSORB DUST SUB
UNIT:C/T BOX:FRO
NT:(C7200+/C7210
+)

82.D0A57111
FILTER:PREVENTF
ENCE:(C7200+/C72
10+)

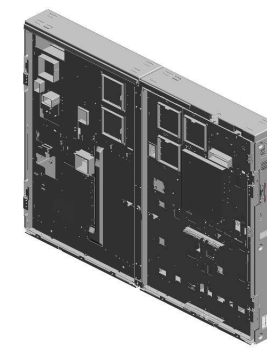
72.D0935309
COVER:SD-CARD

71.D0895824
COVER:SD-CARD:
D086/D087

- 9.04503008N (x43) TAPPING SCREW - M3X8
- 10.04513006N (x 4) TAPPING SCREW - 3X6
- 13.04543006Q (x51) TAPPING SCREW - M3X6
- 14.04544008Q (x 4) TAPPING SCREW - M4X8

U001	U002	U003	U004	U005	U006	U007	U008	U009	U010	U011	U012	U013	U014	U015	U016	U017	U018	U019	U020
------	------	------	------	------	------	------	------	------	------	------	------	------	------	------	------	------	------	------	------

U017 CONTROLLER:(C7200+/C7210+)



- 108.D1951270 (x2) COVER:C/T BOX:UPPER
- 103.D1947141 (x10) SEAL:DUCT:C/T BOX:MM120
- 98.D1947055 (x5) FILTER:DUCT:MM120
- 101.D1947138 (x5) DUCT:C/T BOX:FA N:MM120:UPPER
- 102.D1947140 (x5) DUCT:C/T BOX:FA N:MM120:LOWER

105.D1947176
SHEET:DUCT:OZONE UNIT:C/T BOX:UPPER

104.D1947175
SHEET:DUCT:OZONE UNIT:C/T BOX

87.D0A57190
DUCT:EXHAUST:C/T BOX:REAR

86.D0A57189
DUCT:EXHAUST:C/T BOX:FRONT

100.D1947136
DUCT:VACUUM:HEAT SINKER:C/T BOX

99.D1947110
OZONE FILTER:C/T BOX

85.D0A57147
DUCT:EXHAUST:ABSORB DUST SUB-UNIT:C/T BOX:REAR:(C7200+/C7210+)

119.D0A56974
CAP:DUCT:EXHAUST:ABSORB DUST SUB-UNIT:C/T BOX:(C7200+/C7210+)

116.M2051763
SEAL:DOOR:CUSHION:3:(C7200+/C7210+)

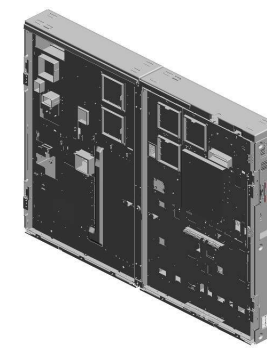
114.M0BH9590 (x2)
(Pro C7200/C7200e/C7200X/C7210/C7210X):NV-RAM

- 94.D1941224 (x2) HEXAGON HEAD SCREW:M4X10:WASHER:DIA9:ASSY
- 112.D3DK7700 DECAL:POWER SUPPLY UNIT:N:DESIGN SKETCH
- 113.M0BH5702 (x2) PCB:IMAGE PROCESSING UNIT
- 111.D3BN5205 (x2) PCB:D3BN-05:ASSY
- 92.D1495776 COVER:USB:SMALL

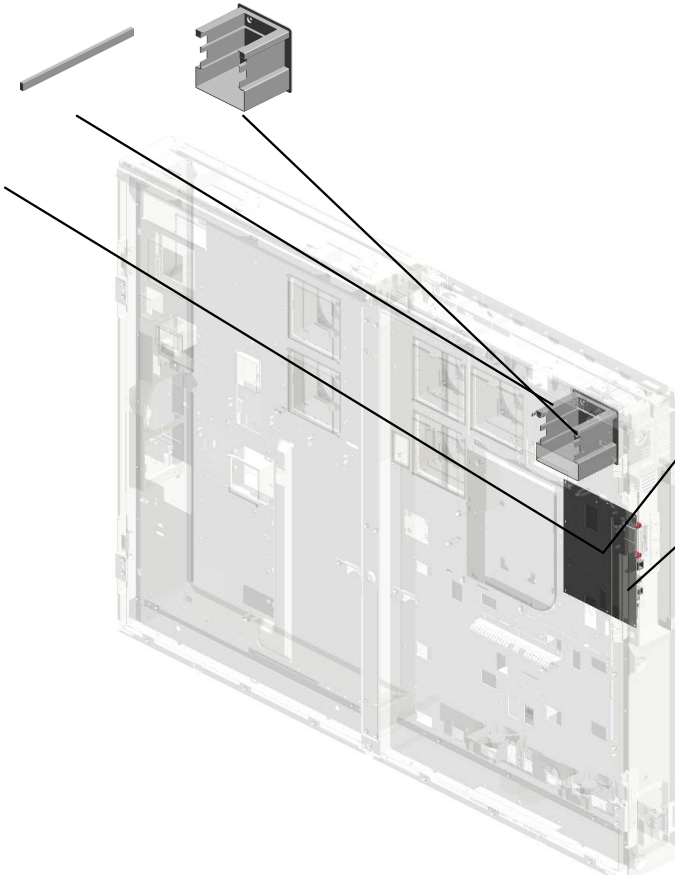


U017
 CONTROLLER:(C7200+/C7210+)

121.D0A56976 120.D0A56975
 (x2) CASE:DUCT:EXHA
 SEAL:CASE:ABSOR UST:ABSORB DUS
 B DUST SUB-UNIT: T SUB-UNIT:C/T BO
 C/T BOX:(C7200+/C X:(C7200+/C7210+)
 7210+)



122.M0BK5789
 (Pro C7200/C7200e/
 C7200X);PCB:A
 202401-03 X/O



123.M0BK5790
 (Pro C7210/C7210X
);PCB:B
 202401-02 X/O



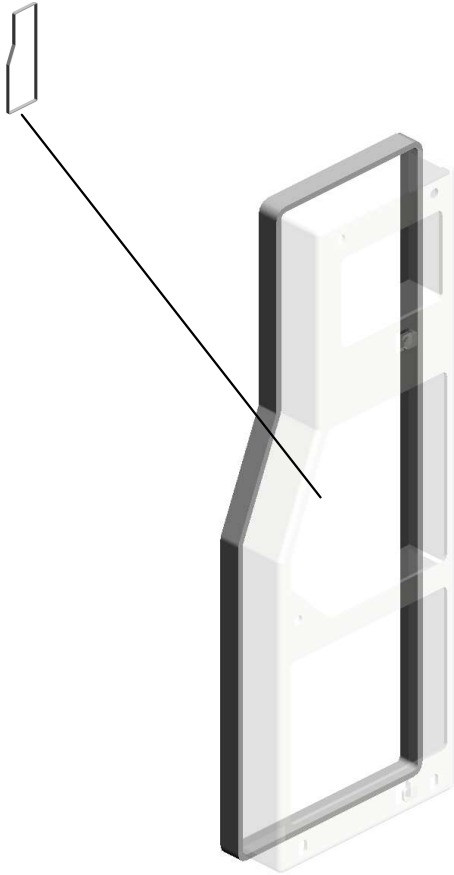
124.D2395625
 (x2)
 (CHN);PCB:DDR3-D
 IMM:RC-A:4GB:ASS
 'Y
 202401-01 O/O



U001	U002	U003	U004	U005	U006	U007	U008	U009	U010	U011	U012	U013	U014	U015	U016	U017	U018	U019	U020
------	------	------	------	------	------	------	------	------	------	------	------	------	------	------	------	------	------	------	------

U017_S001
DUCT:EXHAUST:EXIT:ASS'Y

67.D0747174
SEAL:DUCT:EXIT



51.D0741251
DUCT:EXHAUST:E
XIT:ASS'Y

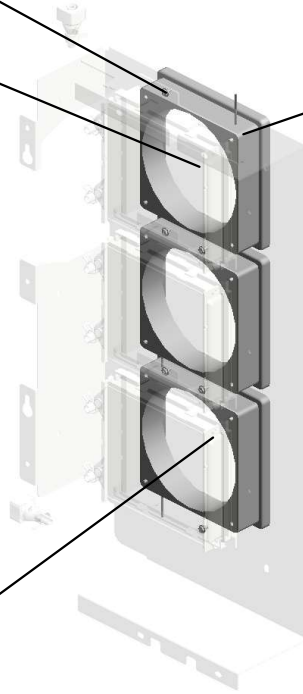
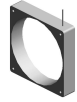
U001	U002	U003	U004	U005	U006	U007	U008	U009	U010	U011	U012	U013	U014	U015	U016	U017	U018	U019	U020
------	------	------	------	------	------	------	------	------	------	------	------	------	------	------	------	------	------	------	------

U017_S002
LIQUID COOLING:FAN:ASS'Y

4.03603006N
(x6)
SCREW - M3X6

106.D1947250
LIQUID COOLING:F
AN:ASSY

34.AX640229
(x3)
DC FAN MOTOR:D
C24V:MM120:25MM



5.03603030N
(x6)
SCREW:M3X30



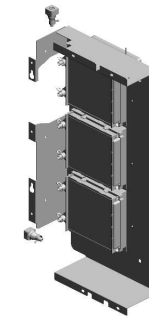
22.11050758
(x3)
CLAMP:LWSM-030
6A



26.11050764
(x3)
CLAMP:LWS-1316A
6A



69.D0747275
(x3)
DUCT:FAN:LIQUID
COOLING

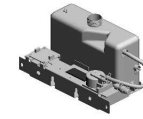
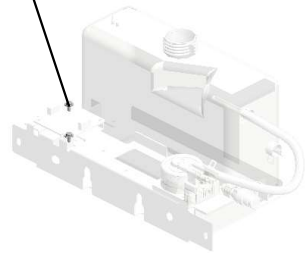
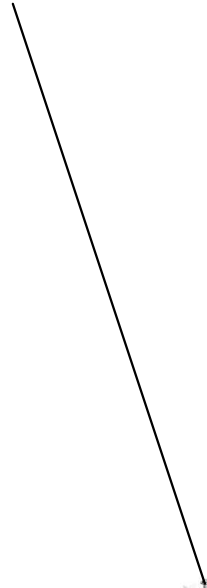


U001	U002	U003	U004	U005	U006	U007	U008	U009	U010	U011	U012	U013	U014	U015	U016	U017	U018	U019	U020
------	------	------	------	------	------	------	------	------	------	------	------	------	------	------	------	------	------	------	------

U017_S003
LIQUID COOLING:PT:ASS'Y

4.03603006N
(x2)
SCREW - M3X6

107.D1948515
LIQUID COOLING:P
T:ASS'Y



22.11050758
(x3)
CLAMP:LWSM-030
6A

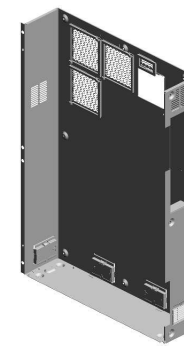
1.03530100N(x 2)
SCREW-M3X10
4.03603006N(x 2)
SCREW - M3X6

U001	U002	U003	U004	U005	U006	U007	U008	U009	U010	U011	U012	U013	U014	U015	U016	U017	U018	U019	U020
------	------	------	------	------	------	------	------	------	------	------	------	------	------	------	------	------	------	------	------

U017_S004
COVER:C/T BOX:RIGHT:ASS'Y

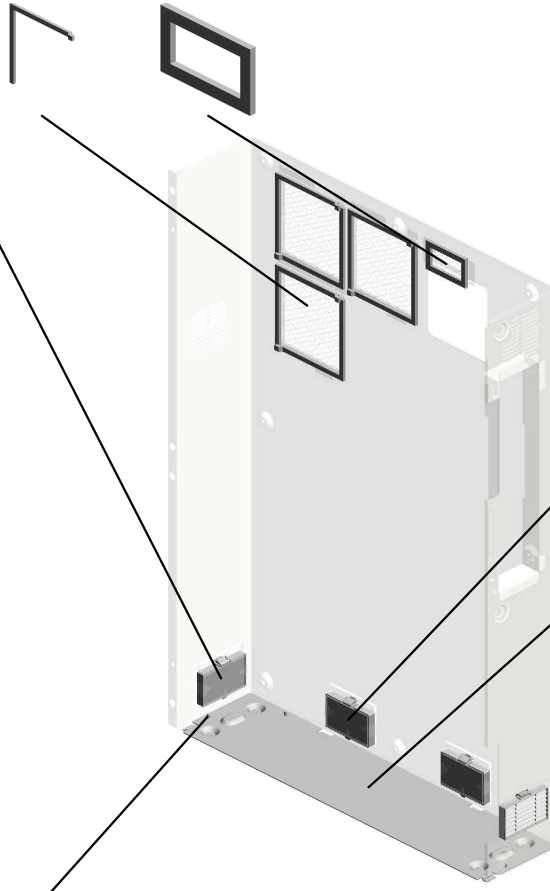
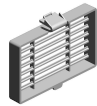
96.D1941282 (x6)
SEAL:COVER:C/T B
OX:MM120

93.D1941223
SEAL:COVER:C/T B
OX:SIROCCO

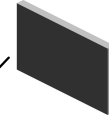


73.D0A51255
COVER:C/T BOX:RI
GHT:ASS'Y

58.D0746974
(x4)
CAP:LOUVER:MM9
0



59.D0746975
(x4)
FILTER:POWER SU
PLY UNIT:MM90



54.D0741258
COVER:C/T BOX:RI
GHT LOWER



97.D1941462
(x4)
HEXAGON HEAD B
OLT:DOUBLE SCR
EW:M4X10

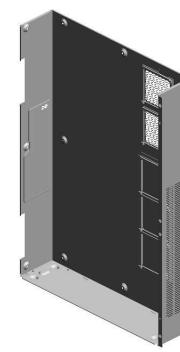


U001	U002	U003	U004	U005	U006	U007	U008	U009	U010	U011	U012	U013	U014	U015	U016	U017	U018	U019	U020
------	------	------	------	------	------	------	------	------	------	------	------	------	------	------	------	------	------	------	------

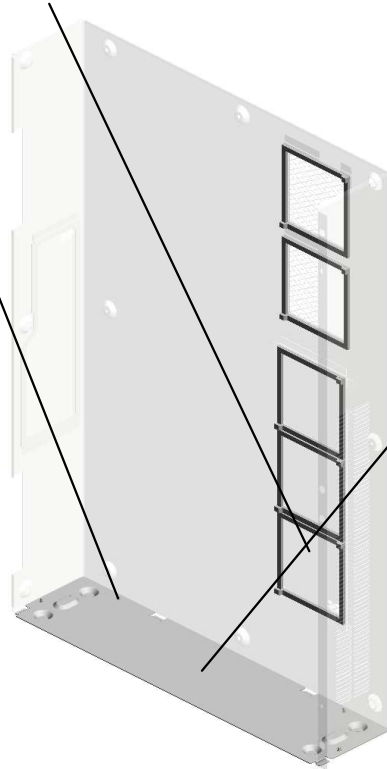
U017_S005
COVER:C/T BOX:LEFT:ASS'Y

97.D1941462 (x4)
HEXAGON HEAD BOLT:DOUBLE SCR
EW:M4X10

96.D1941282 (x10)
SEAL:COVER:C/T B OX:MM120



95.D1941265
COVER:C/T BOX:LEFT:ASS'Y



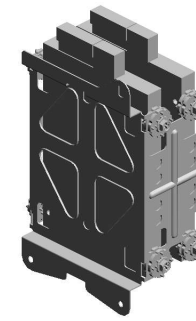
54.D0741258
COVER:C/T BOX:RIGHT LOWER

U001	U002	U003	U004	U005	U006	U007	U008	U009	U010	U011	U012	U013	U014	U015	U016	U017	U018	U019	U020
------	------	------	------	------	------	------	------	------	------	------	------	------	------	------	------	------	------	------	------

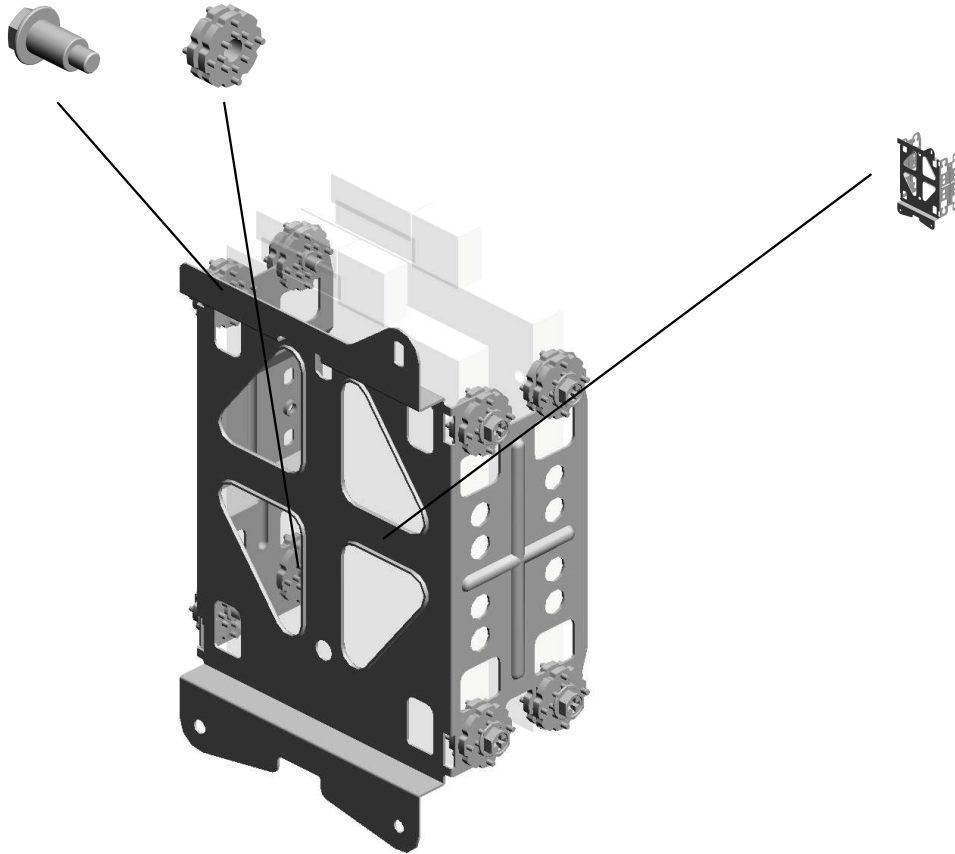
U017_S006
HDD UNIT:ASS'Y

31.AA143848 (x8)
STEPPED SCREW - M3

32.AA161125 (x8)
RUBBER CUSHION



79.D0A55832
HDD UNIT:ASS'Y

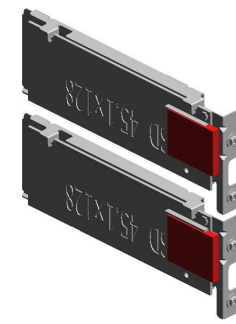


91.D1365978
BRACKET:HDD

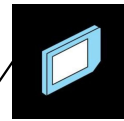
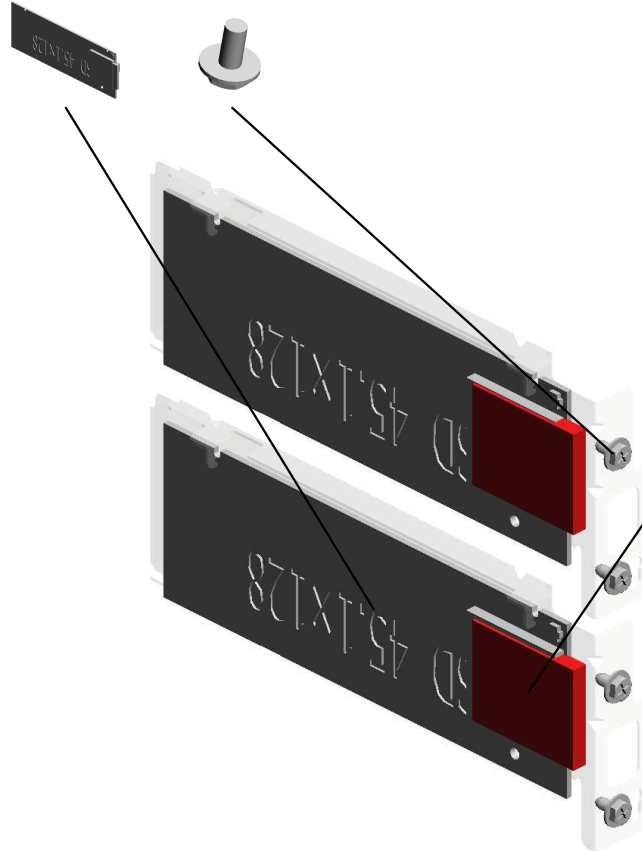
U001	U002	U003	U004	U005	U006	U007	U008	U009	U010	U011	U012	U013	U014	U015	U016	U017	U018	U019	U020
------	------	------	------	------	------	------	------	------	------	------	------	------	------	------	------	------	------	------	------

U017_S007
 SERVICE PARTS:SD-CARD:ASS'Y

110.D2615140 (x2) PCB:SDCU:ASS'Y
 4.03603006N (x4) SCREW - M3X6



76.D0A55407
 SERVICE PARTS:S
 D-CARD:ASS'Y



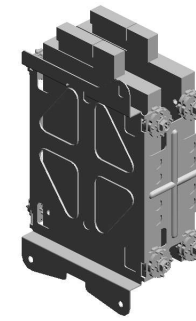
28.14078476 (x2) ROM STORAGE:SD XC8GB
 4.03603006N (x 2) SCREW - M3X6

U001	U002	U003	U004	U005	U006	U007	U008	U009	U010	U011	U012	U013	U014	U015	U016	U017	U018	U019	U020
------	------	------	------	------	------	------	------	------	------	------	------	------	------	------	------	------	------	------	------

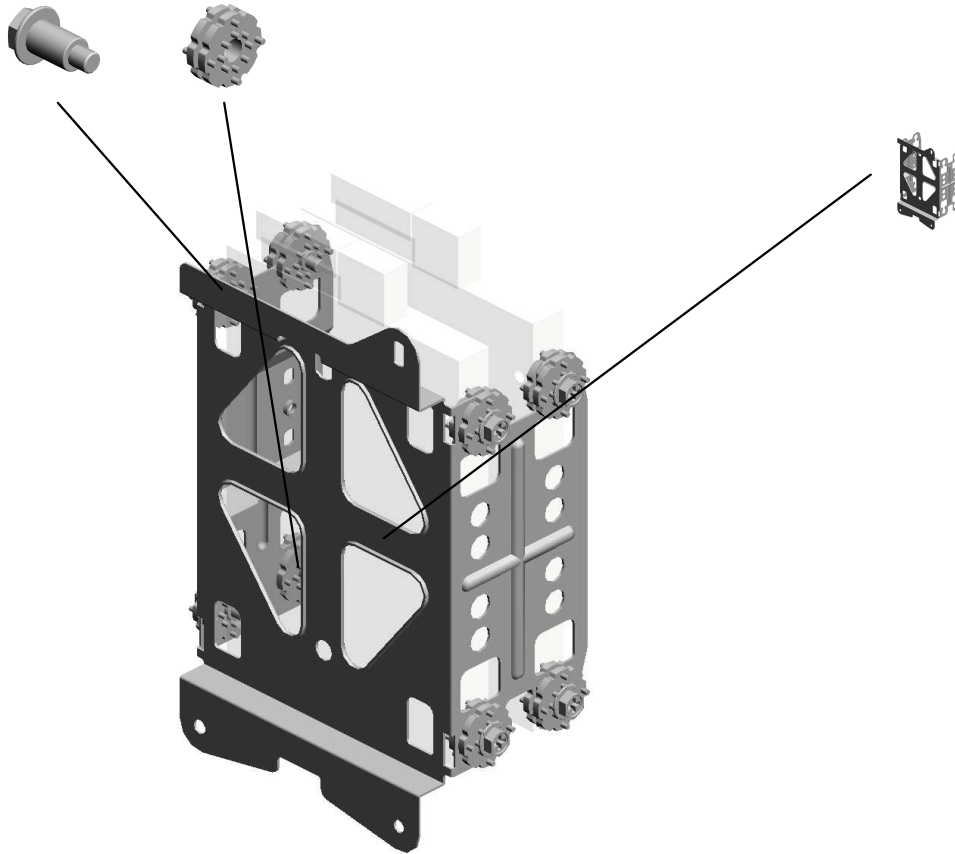
U017_S008
HDD UNIT:ASS'Y

31.AA143848 (x8)
STEPPED SCREW - M3

32.AA161125 (x8)
RUBBER CUSHION



79.D0A55832
HDD UNIT:ASS'Y

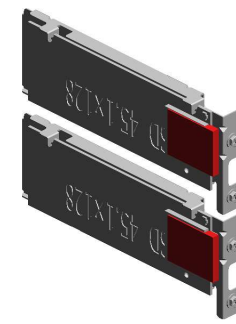


91.D1365978
BRACKET:HDD

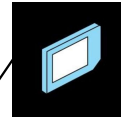
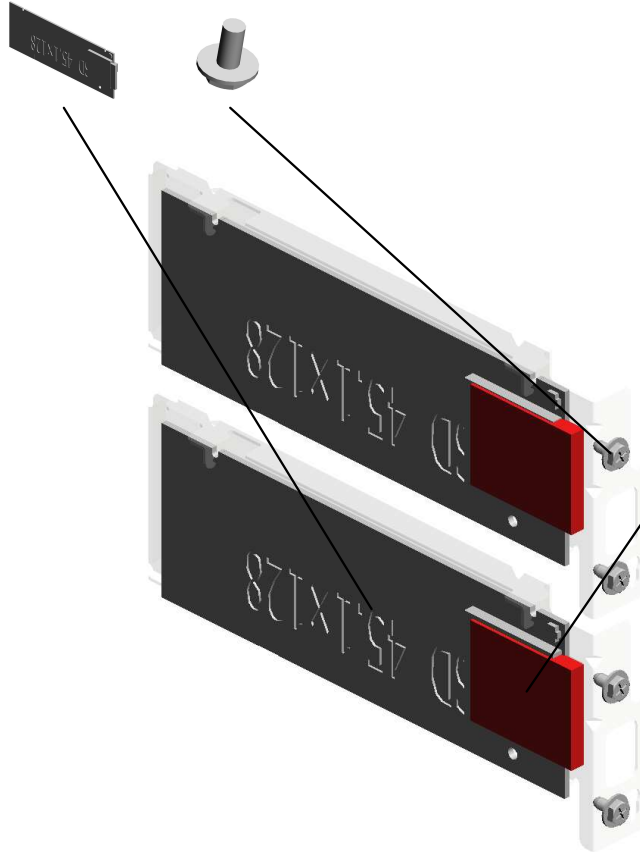
U001	U002	U003	U004	U005	U006	U007	U008	U009	U010	U011	U012	U013	U014	U015	U016	U017	U018	U019	U020
------	------	------	------	------	------	------	------	------	------	------	------	------	------	------	------	------	------	------	------

U017_S009
 SERVICE PARTS:SD-CARD:ASS'Y

110.D2615140 (x2) PCB:SDCU:ASS'Y
 4.03603006N (x4) SCREW - M3X6



76.D0A55407
 SERVICE PARTS:S
 D-CARD:ASS'Y



28.14078476 (x2)
 ROM STORAGE:SD
 XC8GB

4.03603006N (x 2)
 SCREW - M3X6

U001	U002	U003	U004	U005	U006	U007	U008	U009	U010	U011	U012	U013	U014	U015	U016	U017	U018	U019	U020
------	------	------	------	------	------	------	------	------	------	------	------	------	------	------	------	------	------	------	------

U018.AIR COOLING:(C7200+/C7210+)

U018_S002
D1947152
FAN:PCU:UPPER FRONT:AS
S'Y

U018_S004
D1947152
FAN:PCU:UPPER FRONT:AS
S'Y

U018_S001
D1947152
FAN:PCU:UPPER FRONT:AS
S'Y

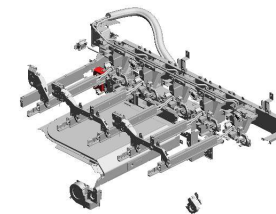
U018_S003
D1947152
FAN:PCU:UPPER FRONT:AS
S'Y

U001	U002	U003	U004	U005	U006	U007	U008	U009	U010	U011	U012	U013	U014	U015	U016	U017	U018	U019	U020
------	------	------	------	------	------	------	------	------	------	------	------	------	------	------	------	------	------	------	------

U018

AIR COOLING:(C7200+/C7210+)

- 4.03540400N (x4) SCREW:M4X40
- 14.04514008N (x74) TAPPING SCREW:4 X8
- 21.11050723 (x4) CLAMPS:WES-0507 202405-15
- 1.03530050N (x20) SCREW-M3X5
- 21.11050723 (x8) CLAMPS:WES-0507



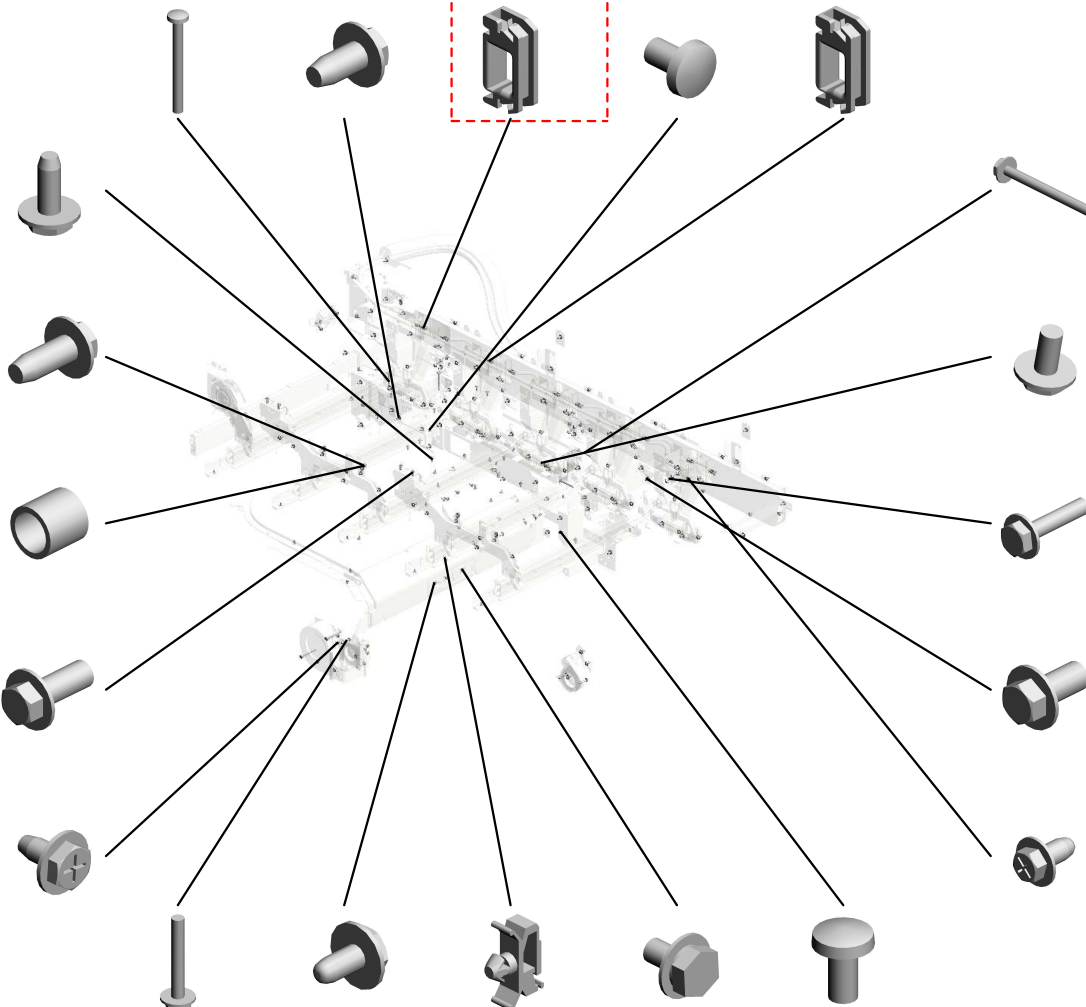
- 11.04503008N (x69) TAPPING SCREW - M3X8

- 15.04514010N (x8) TAPPING SCREW:4 X10

- 18.07074050N (x11) BUSHING - 4X5

- 10.03604010N (x6) SCREW:M4X10

- 13.04513006N (x2) TAPPING SCREW - 3X6



- 7.03603020N (x8) SCREW:M3X20
- 16.04543006Q (x11) TAPPING SCREW - M3X6
- 22.11050758 (x25) CLAMP:LWSM-030 6A
- 19.08010231 (x4) HEXAGONAL HEAD BOLT W/WASHER: M3X6
- 2.03530060N BIND SCREW - M3 X6

- 12.04503035N (x4) TAPPING SCREW:3 X35

- 5.03603006N (x32) SCREW - M3X6

- 6.03603014N (x14) SCREW - M3X14

- 9.03604008N (x19) SCREW - M4X8

- 17.04544008Q (x7) TAPPING SCREW - M4X8

- 20.11050600 (x2) CLAMP:LWSM-030 6-2M
- 21.11050723 (x8) CLAMPS:WES-0507

- 22.11050758 (x21) CLAMP:LWSM-030 6A
- 23.11050759 (x2) CLAMP:LWSM-060 5A

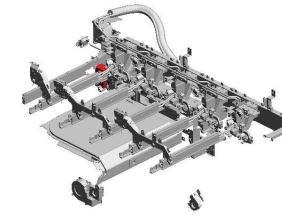
- 24.11050760 (x2) CLAMP:LWSM-051 1A 202405-16
- 24.11050760 (x6) CLAMP:LWSM-051 1A 202405-17

- 24.11050760 (x2) CLAMP:LWSM-051 1A
- 25.11050761 (x18) CLAMP:LWS-05111A

U001	U002	U003	U004	U005	U006	U007	U008	U009	U010	U011	U012	U013	U014	U015	U016	U017	U018	U019	U020
------	------	------	------	------	------	------	------	------	------	------	------	------	------	------	------	------	------	------	------

U018

AIR COOLING:(C7200+/C7210+)



- 30.AA143645 (x6) STEPPED SCREW: M3:45MM
- 39.AX660015 (x2) DC FAN MOTOR:SI ROCCO:DC24V:PW M
- 41.AX660028 (x2) DC FAN MOTOR:M M80X38:DC24:PW M:7.2W
- 25.11050761 (x18) CLAMP:LWS-0511A
- 24.11050760 (x2) CLAMP:LWSM-051 1A

- 44.D0746935 (x2) SEAL:DUCT:HEAT PIPE:FUSING

- 31.AA161104 (x11) CUSHION - MOTOR

- 40.AX660016 (x4) DC FAN MOTOR:M M60X38:DC24V:PW M:18W

- 42.D0746932 (x2) DUCT:HEAT PIPE:F USING:UPPER

- 35.AX640243 (x2) DC FAN MOTOR:M M40:15MM:1.2W

- 38.AX660014 (x4) DC FAN MOTOR:DI A97X38:DC24V:PW M:38.88W

- 37.AX640330 (x4) FAN:SIROCCO:DI A51

- 43.D0746933 (x2) SEAL:DUCT:HEAT PIPE:FUSING:UPPER

- 33.AW100183 (x2) THERMOPILE

- 29.AA143544 (x22) SCREW - M3

- 45.D0746940 (x2) DUCT:UPPER:HEAT SINKER

- 26.11050763 (x4) CLAMP:LWS-1211A

- 34.AX640219 (x4) DC FAN MOTOR:D C24V:MM60:25MM

- 36.AX640244 (x7) DC FAN MOTOR:M M40:10MM:1.1W

- 32.AW100169 (x2) THERMISTOR:ASSY

- 26.11050763 (x10) CLAMP:LWS-1211A

- 27.11050765 (x2) CLAMP:LWS-2218A

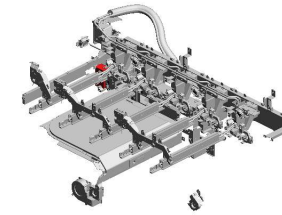
- 28.11050768 (x4) CLAMP:LES-0912

- 30.AA143645 (x6) STEPPED SCREW: M3:45MM

- 2.03530060N (x 1) BIND SCREW - M3X6
- 4.03540400N (x 8) SCREW:M4X40
- 5.03603006N (x12) SCREW - M3X6
- 8.03603030N (x 4) SCREW:M3X30
- 9.03604008N (x 8) SCREW - M4X8
- 10.03604010N (x 2) SCREW:M4X10
- 11.04503008N (x21) TAPPING SCREW - M3X8
- 13.04513006N (x17) TAPPING SCREW - 3X6

U018

AIR COOLING:(C7200+/C7210+)



- 59.D0746987 (x2) DUCT:UPPER:FUSING:EXIT
- 60.D0746988 (x2) DUCT:LOWER:FUSING:EXIT
- 53.D0746969 (x2) SEAL:LONG:DUCT:FUSING:EXIT
- 51.D0746967 (x2) DUCT:UPPER:FUSING:EXIT
- 50.D0746965 (x2) BRACKET:DUCT:EXHAUST:HEAT SINKER

58.D0746979 (x2) SEAL:DUCT:EXIT:CONNECTING

57.D0746978 (x2) DUCT:LEFT:EXIT:EXHAUST

56.D0746977 (x2) DUCT:RIGHT:EXIT:EXHAUST

54.D0746970 (x2) SEAL:SHORT:DUCT:FUSING:EXIT

52.D0746968 (x2) DUCT:LOWER:FUSING:EXIT



64.D0747015 (x10) SEAL:EXIT:DUCT:EXHAUST:DEVELOPMENT UNIT

65.D0747017 (x10) DUCT:CONNECTING:EXHAUST:DEVELOPMENT UNIT

61.D0747012 (x8) DUCT:UPPER:EXHAUST:DEVELOPMENT UNIT

62.D0747013 (x8) DUCT:LOWER:EXHAUST:DEVELOPMENT UNIT

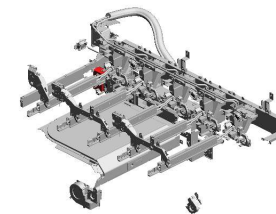
63.D0747014 (x10) SEAL:VACUUM:DUCT:EXHAUST:DEVELOPMENT UNIT

- 47.D0746962 (x2) DUCT:UPPER:EXHAUST:HEAT SINKER
- 48.D0746963 (x2) DUCT:LOWER:EXHAUST:HEAT SINKER
- 49.D0746964 (x2) BRACKET:FAN:DUCT:EXHAUST:HEAT SINKER
- 46.D0746943 (x4) SEAL:LONG:DUCT:HEAT SINKER
- 55.D0746972 (x2) SEAL:DUCT:EXHAUST:HEAT SINKER

- 14.04514008N(x70) TAPPING SCREW:4X8
- 16.04543006Q(x11) TAPPING SCREW - M3X6
- 17.04544008Q(x 9) TAPPING SCREW - M4X8

U018

AIR COOLING:(C7200+/C7210+)



- 83.D0A56934 (x2) DUCT:HEAT PIPE:FUSING:LOWER
- 72.D0747086 (x2) SEAL:VACUUM:COOLING:INTERMEDIATE TRANSFER:PULL OUT
- 85.D0A56993 (x2) DUCT:HEAT PIPE:ROLLER:VACUUM:LOWER
- 84.D0A56992 (x2) DUCT:HEAT PIPE:ROLLER:VACUUM:UPPER
- 66.D0747028 (x9) SEAL:CONNECTING:ENTRANCE

71.D0747083
(x2)
DUCT:LEFT:COOLING:INTERMEDIATE TRANSFER:PULL OUT

70.D0747082
(x2)
DUCT:RIGHT:COOLING:INTERMEDIATE TRANSFER:PULL OUT

73.D0747087
(x4)
SEAL:DC FAN MOTOR:SIROCCO

67.D0747077
(x2)
DUCT:FRONT:COOLING:PRESSURE ROLLER:PULL OUT

74.D0747089
(x2)
SEAL:JOINT:DUCT:COOLING:PRESSURE ROLLER

68.D0747078
(x2)
DUCT:INNER BACK:COOLING:PRESSURE ROLLER:PULL OUT

69.D0747080
(x4)
SEAL:DUCT:COOLING:PRESSURE ROLLER:PULL OUT

81.D0894365
(x2)
HOLDER:THERMISTOR:LENS

82.D0894366
(x2)
COVER:THERMISTOR:LENS

79.D0747119
(x2)
DUCT:FRONT:COOLING:POSITIONING SENSOR

77.D0747103
(x10)
SEAL:UPPER:DUCT:CONNECTING:DEVELOPMENT UNIT

76.D0747102
(x10)
SEAL:LOWER:DUCT:CONNECTING:DEVELOPMENT UNIT

75.D0747090
(x2)
SEAL:VACUUM:POSITIONING SENSOR

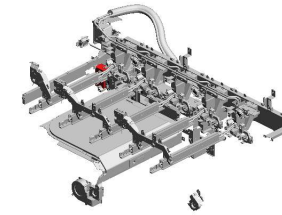
78.D0747118
(x2)
DUCT:INNER BACK:COOLING:POSITIONING SENSOR

80.D0747120
(x2)
BRACKET:DUCT:COOLING:POSITIONING SENSOR

U001	U002	U003	U004	U005	U006	U007	U008	U009	U010	U011	U012	U013	U014	U015	U016	U017	U018	U019	U020
------	------	------	------	------	------	------	------	------	------	------	------	------	------	------	------	------	------	------	------

U018

AIR COOLING:(C7200+/C7210+)



- 86.D0A56995 (x2) SEAL:DUCT:HEAT PIPE:VACUUM:UPPER
- 89.D0A56998 (x2) DUCT:HEAT PIPE:ROLLER:VACUUM:LEFT
- 88.D0A56997 (x2) SEAL:DUCT:HEAT PIPE:UPPER:MIDDLE
- 93.D1941035 (x2) SEAL:HEAT PIPE:ROLLER:FAN:MM60
- 102.D1946998 (x4) SEAL:DUCT:EXHAUST:HEAT PIPE:SHORT

- 90.D0A56999 (x2) SEAL:DUCT:HEAT PIPE:LOWER:MIDDLE

- 87.D0A56996 (x2) SEAL:DUCT:HEAT PIPE:VACUUM:LOWER

- 105.D1947003 (x2) SEAL:DUCT:HEAT PIPE:ROLLER:UPPER

- 104.D1947001 (x2) DUCT:EXHAUST:HEAT PIPE:ROLLER:LEFT

- 92.D1366928 (x2) DUCT:DC FAN MOTOR:OPTICAL WRITING UNIT

- 97.D1946936 (x2) BLOCK AIR MOVEMENT PLATE:THERMOPILE
- 94.D1946923 (x2) DUCT:HEAT PIPE:USING:SIDE
- 98.D1946937 (x4) SEAL:THERMOPILE:HEAT PIPE
- 95.D1946924 (x2) COVER:HEAT PIPE:THERMOPILE
- 91.D0A57124 (x8) DUCT:PCU:FRONT:4ST:ASSY

- 100.D1946958 (x2) DUCT:REAR:VACUUM:CONNECTING:HEAT SINKER

- 99.D1946957 (x2) DUCT:FRONT:VACUUM:CONNECTING:HEAT SINKER

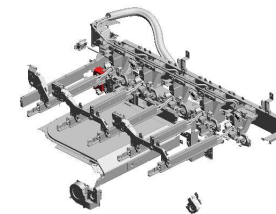
- 101.D1946997 (x4) SEAL:DUCT:EXHAUST:HEAT PIPE:LONG

- 103.D1947000 (x2) DUCT:EXHAUST:HEAT PIPE:ROLLER:RIGHT

- 96.D1946931 (x2) PANEL MOUNT:THERMOPILE

U018

AIR COOLING:(C7200+/C7210+)



- 115.D1947183 (x2) DUCT:EXIT:GUIDE PLATE:ENTRANCE:COVER
- 114.D1947182 (x2) SEAL:DUCT:EXIT:GUIDE PLATE:INNER BACK
- 118.D1947188 (x2) DUCT:EXIT:GUIDE PLATE:ENTRANCE:LEFT
- 119.D1947189 (x2) DUCT:EXIT:GUIDE PLATE:ENTRANCE:RIGHT
- 113.D1947181 (x2) SEAL:DUCT:EXIT:GUIDE PLATE:ENTRANCE

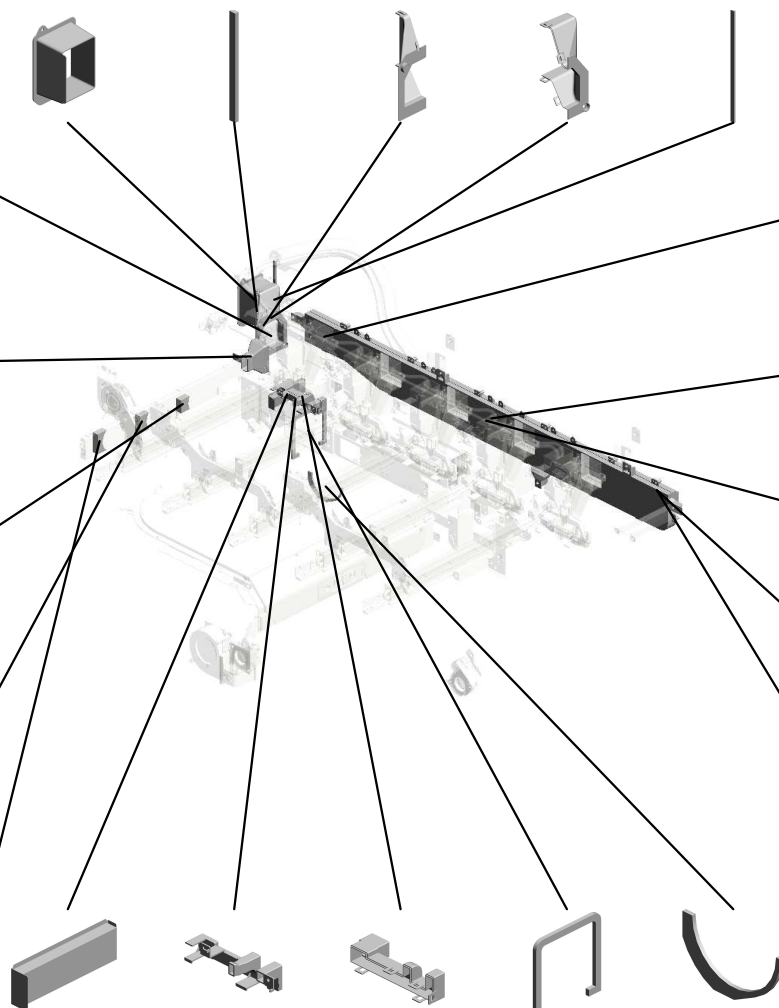
- 117.D1947186 (x2) SEAL:DUCT:EXIT:GUIDE PLATE:FAN

- 116.D1947184 (x2) DUCT:EXIT:GUIDE PLATE:EXHAUST

- 123.D1947266 (x2) SEAL:DUCT:COOLING:GUIDE PLATE:3

- 122.D1947265 (x2) SEAL:DUCT:COOLING:GUIDE PLATE:2

- 121.D1947264 (x2) SEAL:DUCT:COOLING:GUIDE PLATE:1



- 109.D1947033 (Pro C7200S/C7210S/C7200SL/C7200/C7200e/C7210);SH EET:RELAY DUCT:EXHAUST:ABSORB DUST SUB-UNIT

- 108.D1947030 (x2) DUCT:EXHAUST:ABSORB DUST SUB-UNIT:REAR

- 107.D1947022 (x2) DUCT:EXHAUST:ABSORB DUST SUB-UNIT:FRONT

- 110.D1947084 (x2) SEAL:DUCT:EXHAUST:ABSORB DUST SUB-UNIT:REAR 202404-01

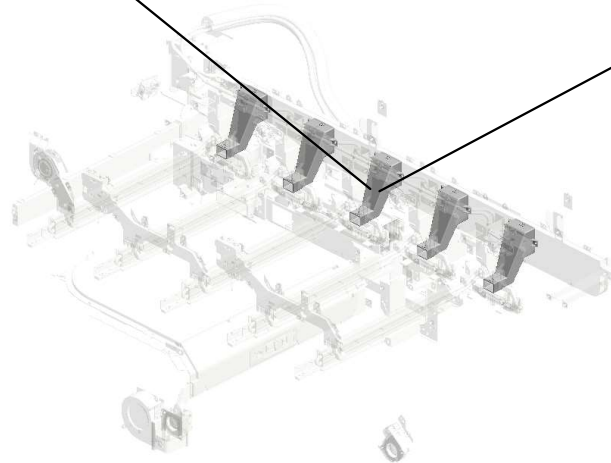
- 110.D1947084 (x2) SEAL:DUCT:EXHAUST:ABSORB DUST SUB-UNIT:REAR

- 112.D1947165 (x2) SHEET:DUCT:FUSION:EXIT:EXHAUST
- 125.D2037013 (x2) DUCT:LOWER:EXHAUST:DEVELOPMENT UNIT:S
- 124.D2037012 (x2) DUCT:UPPER:EXHAUST:DEVELOPMENT UNIT:S
- 120.D1947227 (x2) SEAL:HEAT PIPE:ROLLER:FAN:MM80
- 106.D1947006 (x2) SEAL:DUCT:HEAT PIPE:ROLLER:LOWER

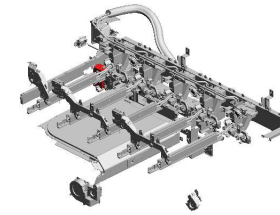
U001	U002	U003	U004	U005	U006	U007	U008	U009	U010	U011	U012	U013	U014	U015	U016	U017	U018	U019	U020
------	------	------	------	------	------	------	------	------	------	------	------	------	------	------	------	------	------	------	------

U018
AIR COOLING:(C7200+/C7210+)

126.D0A57026
(x9)
DUCT:CONNECTIN
G:ABSORB DUST S
UB-UNIT:LEFT:(C72
00+/C7210+)



127.D0A57027
(x9)
DUCT:CONNECTIN
G:ABSORB DUST S
UB-UNIT:RIGHT:(C
7200+/C7210+)

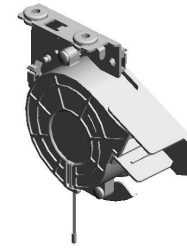


U001	U002	U003	U004	U005	U006	U007	U008	U009	U010	U011	U012	U013	U014	U015	U016	U017	U018	U019	U020
------	------	------	------	------	------	------	------	------	------	------	------	------	------	------	------	------	------	------	------

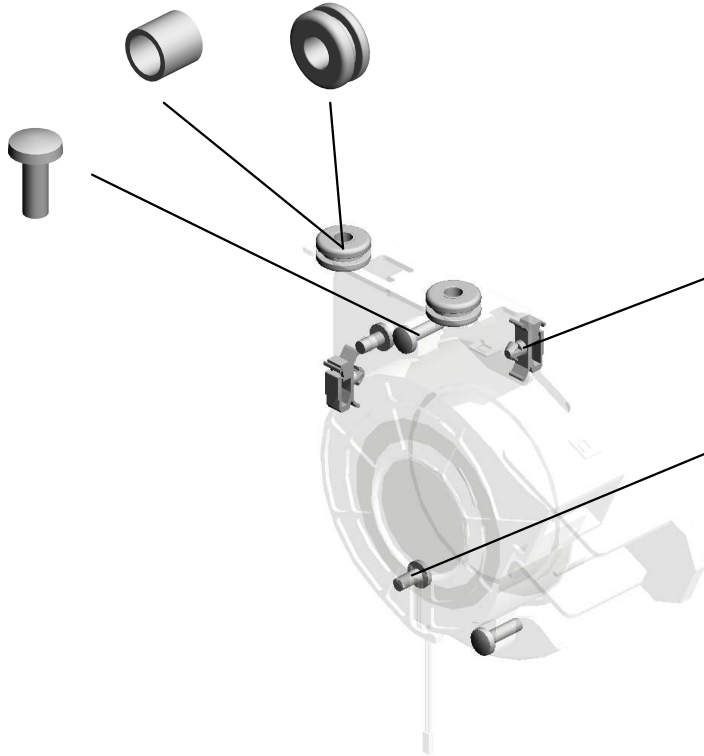
U018_S001
FAN:PCU:UPPER FRONT:ASS'Y

18.07074050N 31.AA161104
(x2) (x2)
BUSHING - 4X5 CUSHION - MOTOR

111.D1947152
FAN:PCU:UPPER F
RONT:ASS'Y



3.03530100N
(x2)
SCREW-M3X10



22.11050758
(x2)
CLAMP:LWSM-030
6A

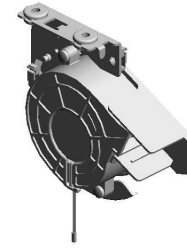
2.03530060N
(x2)
BIND SCREW - M3
X6

U001	U002	U003	U004	U005	U006	U007	U008	U009	U010	U011	U012	U013	U014	U015	U016	U017	U018	U019	U020
------	------	------	------	------	------	------	------	------	------	------	------	------	------	------	------	------	------	------	------

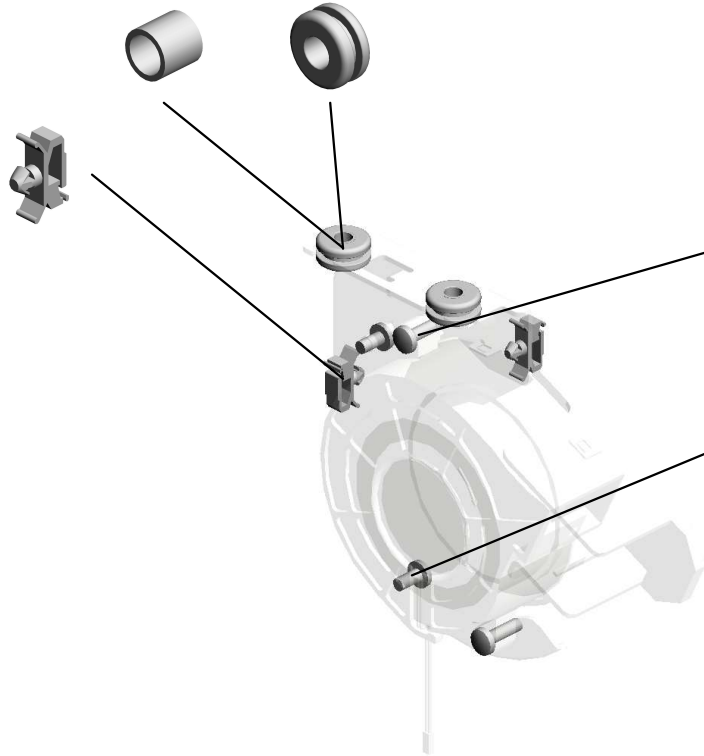
U018_S002
FAN:PCU:UPPER FRONT:ASS'Y

18.07074050N 31.AA161104
(x2) (x2)
BUSHING - 4X5 CUSHION - MOTOR

111.D1947152
FAN:PCU:UPPER F
RONT:ASS'Y



22.11050758
(x2)
CLAMP:LWSM-030
6A



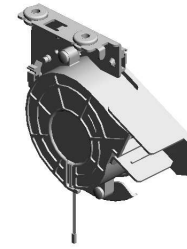
3.03530100N
(x2)
SCREW-M3X10

2.03530060N
(x2)
BIND SCREW - M3
X6

U001	U002	U003	U004	U005	U006	U007	U008	U009	U010	U011	U012	U013	U014	U015	U016	U017	U018	U019	U020
------	------	------	------	------	------	------	------	------	------	------	------	------	------	------	------	------	------	------	------

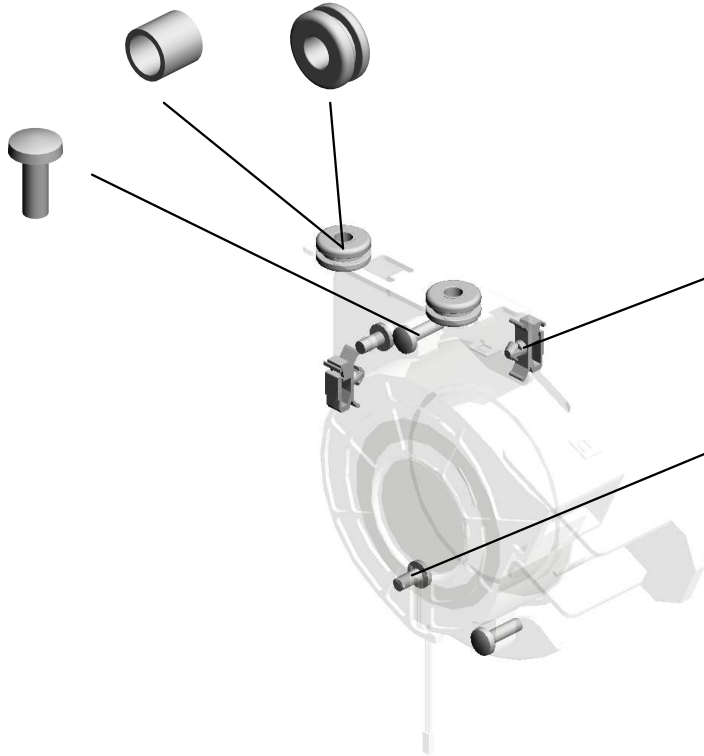
U018_S003
 FAN:PCU:UPPER FRONT:ASS'Y

18.07074050N 31.AA161104
 (x2) (x2)
 BUSHING - 4X5 CUSHION - MOTOR



111.D1947152
 FAN:PCU:UPPER F
 RONT:ASS'Y

3.03530100N
 (x2)
 SCREW-M3X10



22.11050758
 (x2)
 CLAMP:LWSM-030
 6A

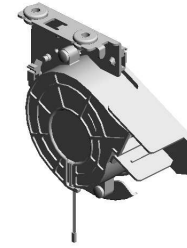
2.03530060N
 (x2)
 BIND SCREW - M3
 X6

U001	U002	U003	U004	U005	U006	U007	U008	U009	U010	U011	U012	U013	U014	U015	U016	U017	U018	U019	U020
------	------	------	------	------	------	------	------	------	------	------	------	------	------	------	------	------	------	------	------

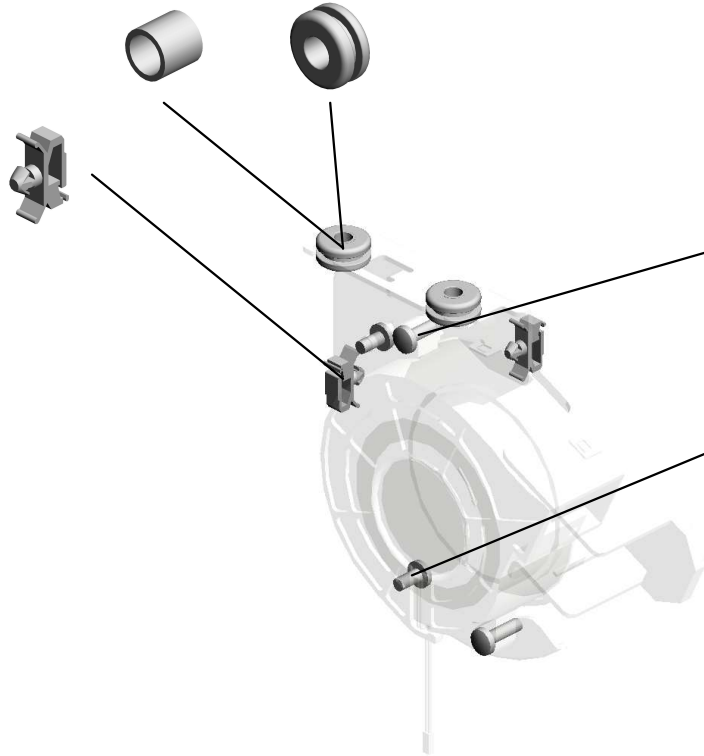
U018_S004
FAN:PCU:UPPER FRONT:ASS'Y

18.07074050N 31.AA161104
(x2) (x2)
BUSHING - 4X5 CUSHION - MOTOR

111.D1947152
FAN:PCU:UPPER F
RONT:ASS'Y



22.11050758
(x2)
CLAMP:LWSM-030
6A

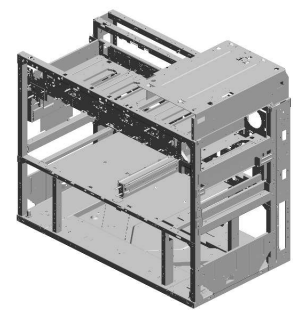
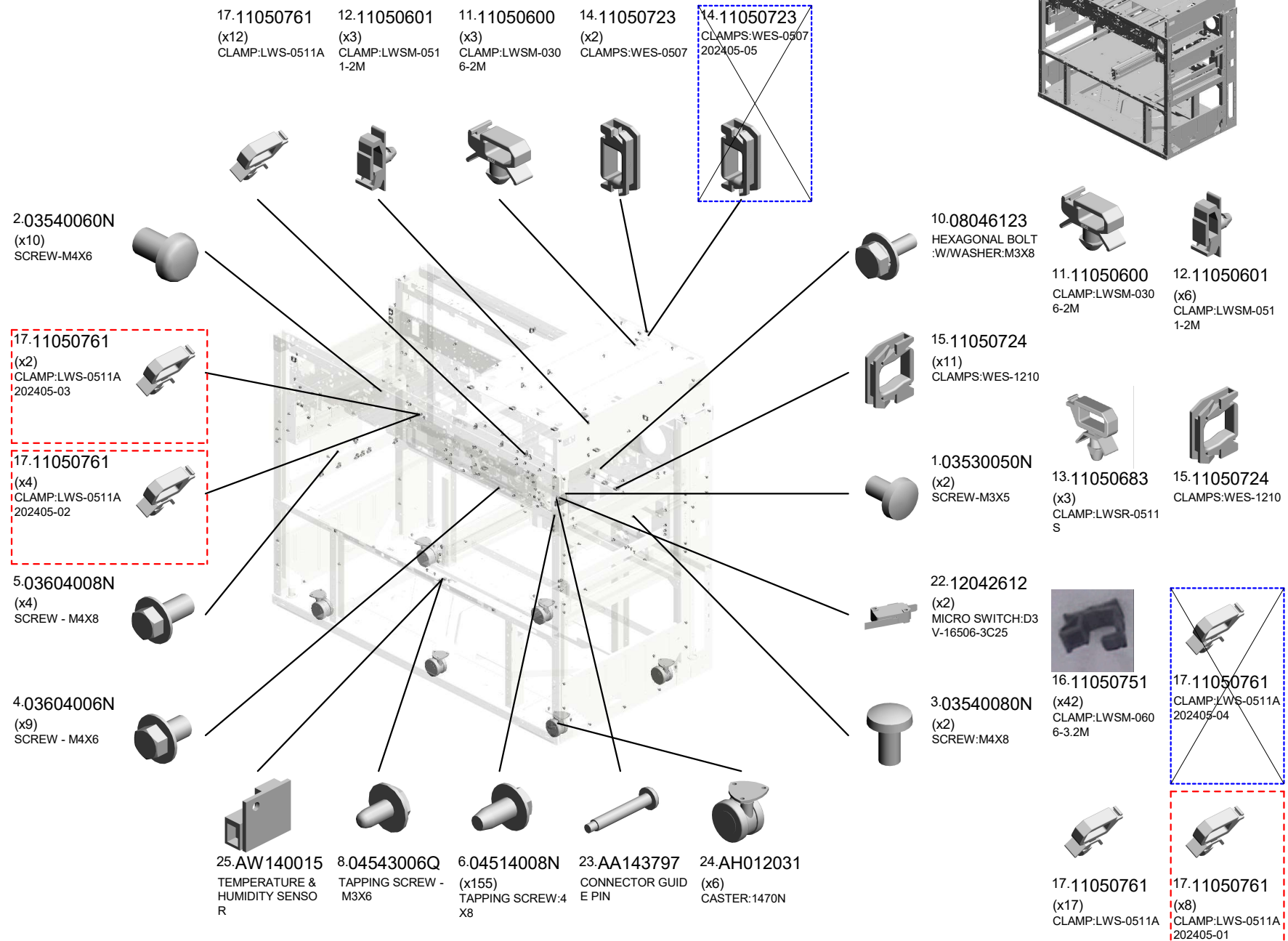


3.03530100N
(x2)
SCREW-M3X10

2.03530060N
(x2)
BIND SCREW - M3
X6

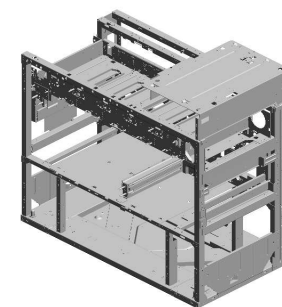
U001	U002	U003	U004	U005	U006	U007	U008	U009	U010	U011	U012	U013	U014	U015	U016	U017	U018	U019	U020
------	------	------	------	------	------	------	------	------	------	------	------	------	------	------	------	------	------	------	------

U019 MAIN FRAME



U001	U002	U003	U004	U005	U006	U007	U008	U009	U010	U011	U012	U013	U014	U015	U016	U017	U018	U019	U020
------	------	------	------	------	------	------	------	------	------	------	------	------	------	------	------	------	------	------	------

U019 MAIN FRAME



- 40.D1941189 (x5) SEAL:OPTICAL WRITING UNIT:UPPER: LEFT
- 44.D1947172 SEAL:OPTICAL WRITING UNIT:LOWER:5ST
- 41.D1941190 (x5) SEAL:OPTICAL WRITING UNIT:UPPER: RIGHT
- 43.D1947159 SEAL:OPTICAL WRITING UNIT:LOWER: R:S
- 32.D0741173 BOSS:POSITIONING PIN:TRANSPORT UNIT:NO.2:10.3MM

35.D0744529
COVER:PAPER EXIT SUB-UNIT:EXIT

29.D0741143
BRACKET:COUPLING

31.D0741154
COVER:PAPER EXIT UNIT:EXIT

30.D0741152
SLIDE RAIL:EXIT:RIGHT

28.D0741141
(x2)
SUPPORTING PLATE:FRAME:MAIN

38.D1941159
(x2)
SLIDE RAIL:INTERMEDIATE TRANSFER

26.D0741088
SHEET:BASE:MAIN:FRONT

27.D0741125
PLATE:RADIAL BALL BEARING:THRUST

39.D1941162
(x2)
SLIDE RAIL:TRANSPORT UNIT

45.G1781134
(x4)
HEXAGONAL BOLT :M20X70

37.D0747172
(x6)
SEAL:OPTICAL WRITING UNIT:LOWER

42.D1947158
(x2)
SEAL:OPTICAL WRITING UNIT:LOWER:M:K

36.D0746078
(x8)
COMPRESSION SPRING:DRAWER:INTERMEDIATE TRANSFER

34.D0744351
(x8)
STEPPED SCREW: DIA5.4DIA:3.5M3

33.D0741195
(x4)
GUIDE:LOCK:TRANSPORT UNIT

18.11050762
(x47)
CLAMP:LWS-0711A

19.11050763
(x10)
CLAMP:LWS-1211A

20.11050764
(x81)
CLAMP:LWS-1316A

21.11050765
(x11)
CLAMP:LWS-2218A

2.03540060N (x 5)
SCREW-M4X6

4.03604006N (x 7)
SCREW - M4X6

5.03604008N (x 4)
SCREW - M4X8

6.04514008N (x39)
TAPPING SCREW:4X8

7.04514012N (x 8)
TAPPING SCREW:4X12

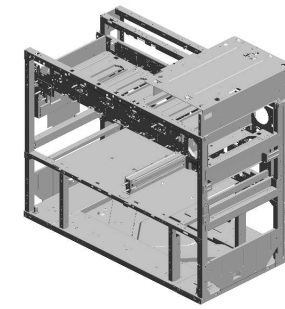
9.04544006Q (x 1)
TAPPING SCREW:4X6

U019 MAIN FRAME

47.G1787743 (x2) BOSS:POSITIONIN G PIN:TRANSPORT UNIT:NO.1

52.11029805 (x2) CONNECTOR:6-29 2233-0

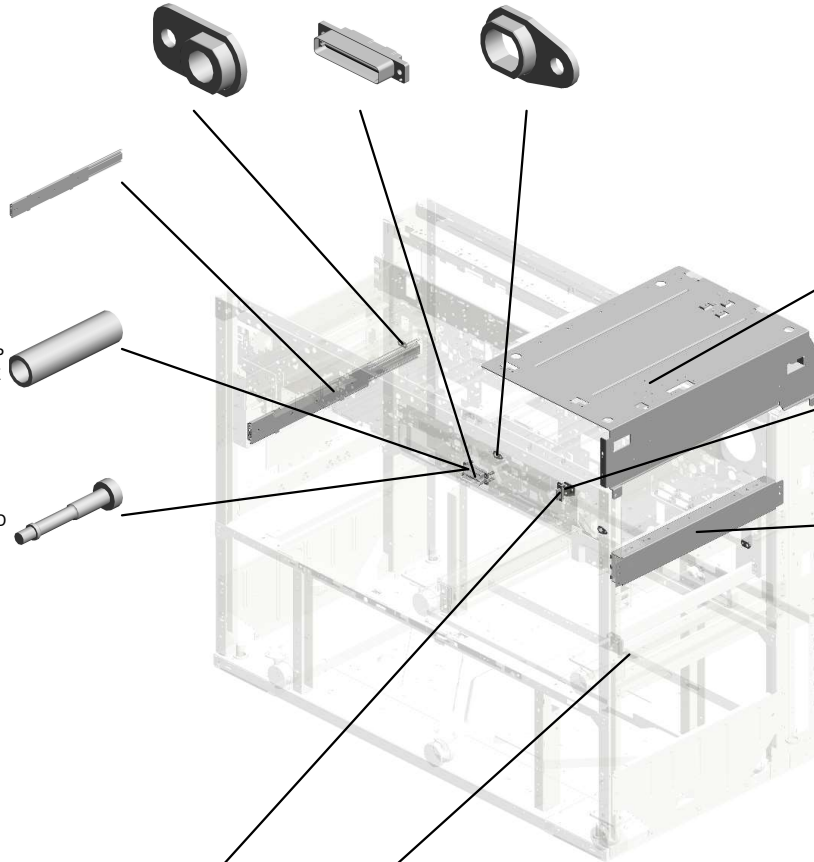
48.G1787744 (x2) BOSS:POSITIONIN G PIN:TRANSPORT UNIT:NO.2



46.G1784746
SLIDE RAIL:EXIT

53.G1784866
(x4)
COMPRESSION SP
RING:EXIT:CONNE
CTOR

59.G1787515
(x4)
CONNECTOR GUID
E PIN:CONNECTO
R
202005-04 X/O



55.D0A51164
COVER:TONER SU
PPPLY

61.M0EB1128
PLAIN SHAFT BEA
RING:POSITIONIN
G PIN:FUSING:PRE
SS FIT
202307-02 X/O

56.D1941371
STAY:MAIN:RIGHT
UPPER:ASSY

57.11036080
CONNECTOR:14R-
RIZ-K4GG-FL(LF)(S
N)

58.D3DK7700
(x2)
DECAL:POWER SU
PPPLY UNIT:N:DESI
GN SKETCH
201908-01



U001	U002	U003	U004	U005	U006	U007	U008	U009	U010	U011	U012	U013	U014	U015	U016	U017	U018	U019	U020
------	------	------	------	------	------	------	------	------	------	------	------	------	------	------	------	------	------	------	------

U020.ACCESSORIES

U020 S005
D3AK3006
(CHN):MAIN:ASS'Y

U020 S002
D0A56712
COVER:OPERATION SUB-UN
IT:STAND:UPPER:ASS'Y

U020 S011
D0744390
ACCESSORY:KNOB:FUSING:
ASS'Y

U020 S010
D3AK3006
(CHN):MAIN:ASS'Y

U020 S007
D0A56712
COVER:OPERATION SUB-UN
IT:STAND:UPPER:ASS'Y

U020 S003
D0A57981
(EU/AA/TWN/KOR):(CHN[Pro
C7200/C7210/C7200X/C7210X
]);POWER SUPPLY CODE:DE
CAL:ASS'Y

U020 S001
D0744390
ACCESSORY:KNOB:FUSING:
ASS'Y

U020 S008
D0A57981
(EU/AA/TWN/KOR):(CHN[Pro
C7200/C7210/C7200X/C7210X
]);POWER SUPPLY CODE:DE
CAL:ASS'Y

U020 S006
D0744390
ACCESSORY:KNOB:FUSING:
ASS'Y

U020 S012
D0A56712
COVER:OPERATION SUB-UN
IT:STAND:UPPER:ASS'Y

U020 S004
D0A57981
(EU/AA/TWN/KOR):(CHN[Pro
C7200/C7210/C7200X/C7210X
]);POWER SUPPLY CODE:DE
CAL:ASS'Y

U020 S009
D0A57981
(EU/AA/TWN/KOR):(CHN[Pro
C7200/C7210/C7200X/C7210X
]);POWER SUPPLY CODE:DE
CAL:ASS'Y

U001	U002	U003	U004	U005	U006	U007	U008	U009	U010	U011	U012	U013	U014	U015	U016	U017	U018	U019	U020
------	------	------	------	------	------	------	------	------	------	------	------	------	------	------	------	------	------	------	------

U020.ACCESSORIES

U020 S015
D3AK3006
(CHN):MAIN:ASS'Y

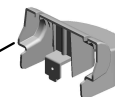
U020 S019
D0A57981
(EU/AA/TWN/KOR):(CHN[Pro
C7200/C7210/C7200X/C7210X
]):POWER SUPPLY CODE:DE
CAL:ASS'Y



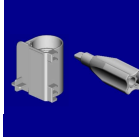
U020 S020
D3AK3006
(CHN):MAIN:ASS'Y



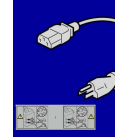
U020 S017
D0A56712
COVER:OPERATION SUB-UN
IT:STAND:UPPER:ASS'Y



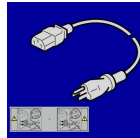
U020 S016
D0744390
ACCESSORY:KNOB:FUSING:
ASS'Y



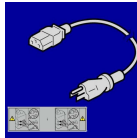
U020 S014
D0A57981
(EU/AA/TWN/KOR):(CHN[Pro
C7200/C7210/C7200X/C7210X
]):POWER SUPPLY CODE:DE
CAL:ASS'Y



U020 S013
D0A57981
(EU/AA/TWN/KOR):(CHN[Pro
C7200/C7210/C7200X/C7210X
]):POWER SUPPLY CODE:DE
CAL:ASS'Y



U020 S018
D0A57981
(EU/AA/TWN/KOR):(CHN[Pro
C7200/C7210/C7200X/C7210X
]):POWER SUPPLY CODE:DE
CAL:ASS'Y



U001	U002	U003	U004	U005	U006	U007	U008	U009	U010	U011	U012	U013	U014	U015	U016	U017	U018	U019	U020
------	------	------	------	------	------	------	------	------	------	------	------	------	------	------	------	------	------	------	------

U020 ACCESSORIES

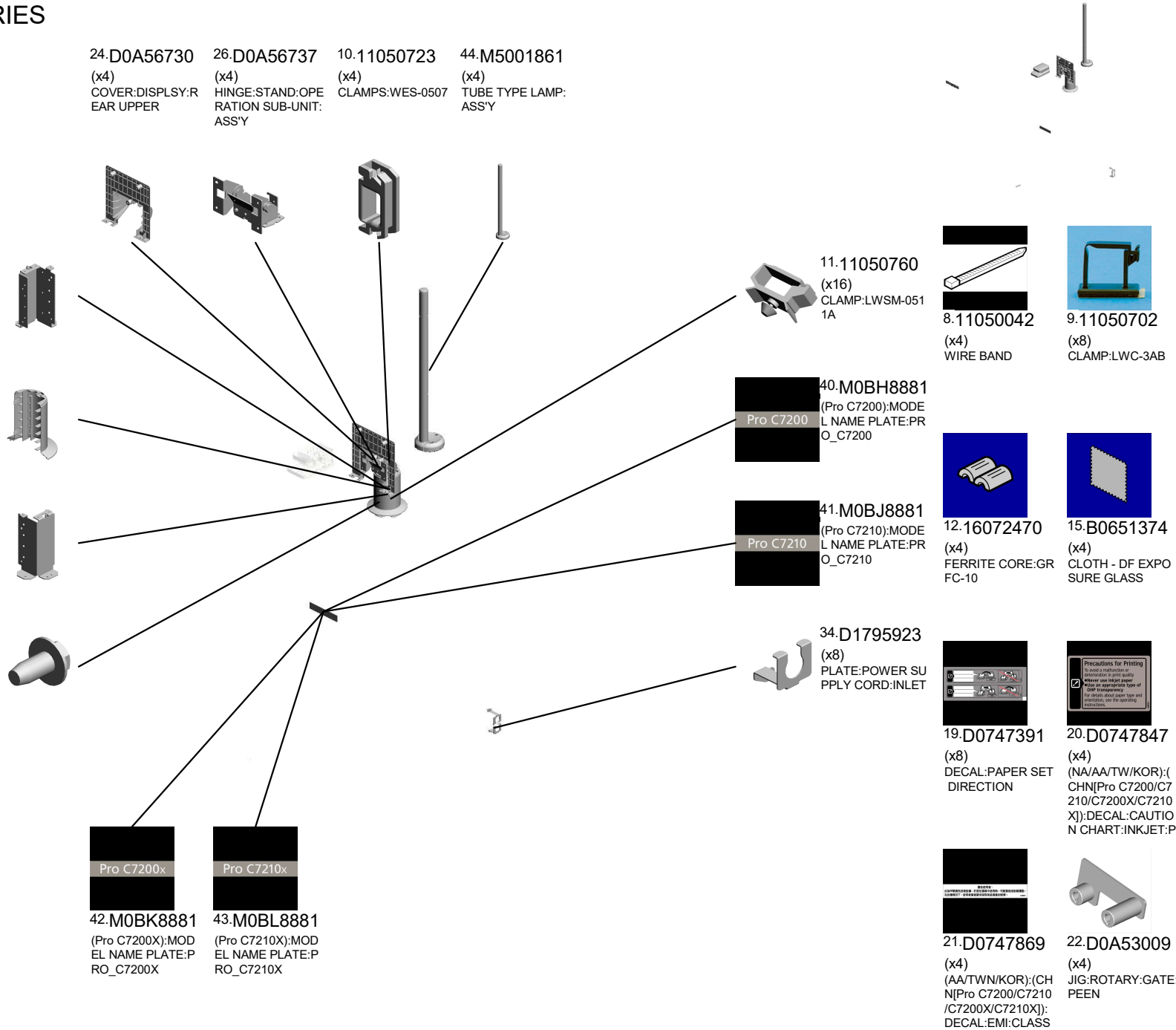
24.D0A56730 (x4) COVER:DISPLSY:R EAR UPPER
 26.D0A56737 (x4) HINGE:STAND:OPE RATION SUB-UNIT: ASS'Y
 10.11050723 (x4) CLAMPS:WES-0507
 44.M5001861 (x4) TUBE TYPE LAMP: ASS'Y

27.D0A56739 (x4) FRAME:STAND:OP ERATION SUB-UNI T:REAR

25.D0A56733 (x8) COVER:FRAME:ST AND:OPERATION S UB-UNIT

28.D0A56740 (x4) FRAME:STAND:OP ERATION SUB-UNI T:FRONT

6.04514008N (x40) TAPPING SCREW:4 X8



U001	U002	U003	U004	U005	U006	U007	U008	U009	U010	U011	U012	U013	U014	U015	U016	U017	U018	U019	U020
------	------	------	------	------	------	------	------	------	------	------	------	------	------	------	------	------	------	------	------

U020
ACCESSORIES



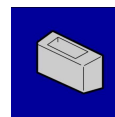
30.D0A58892

(x4)
DECAL:CAUTION:INLET



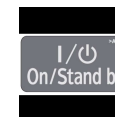
32.D0A58897

(x4)
(NA/AA/TW/KOR):(CHN[Pro C7200/C7210/C7200X/C7210X]);DECAL:POWER SOURCE:OFF:ENG



33.D1791748

(x4)
HOLDER:EXPOSURE GLASS:ASSY



35.D1947889

(x4)
(NA/AA/TW/KOR):(CHN[Pro C7200/C7210/C7200X/C7210X]);DECAL:DC:MAIN SWITCH



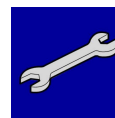
36.D2557798

(x4)
DECAL:BLUETOOTH



38.G1781141

(x16)
HOLDER:STAND:MODEL 20

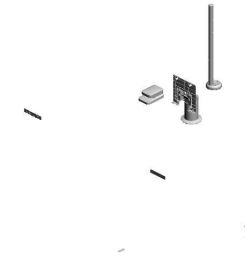


39.G1788350

(x4)
WRENCH:HEXAGONAL BOLT

U001	U002	U003	U004	U005	U006	U007	U008	U009	U010	U011	U012	U013	U014	U015	U016	U017	U018	U019	U020
------	------	------	------	------	------	------	------	------	------	------	------	------	------	------	------	------	------	------	------

U020
ACCESSORIES



2.03540080N(x16)
SCREW:M4X8

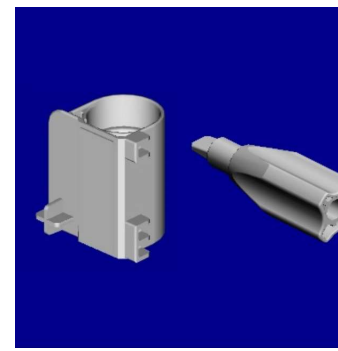
3.03604008N(x40)
SCREW - M4X8

5.04514006N(x 4)
TAPPING SCREW - 4X6

7.04544008Q(x16)
TAPPING SCREW - M4X8

U001	U002	U003	U004	U005	U006	U007	U008	U009	U010	U011	U012	U013	U014	U015	U016	U017	U018	U019	U020
------	------	------	------	------	------	------	------	------	------	------	------	------	------	------	------	------	------	------	------

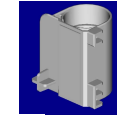
U020_S001
ACCESSORY:KNOB:FUSING:ASS'Y



17.D0744390
ACCESSORY:KNO
B:FUSING:ASS'Y



16.D0744225
KNOB:FUSING

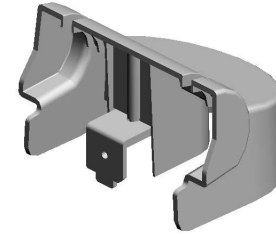


18.D0744391
HOLDER:KNOB:FU
SING:DUAL FACES
TEPE

U001	U002	U003	U004	U005	U006	U007	U008	U009	U010	U011	U012	U013	U014	U015	U016	U017	U018	U019	U020
------	------	------	------	------	------	------	------	------	------	------	------	------	------	------	------	------	------	------	------

U020_S002
COVER:OPERATION SUB-UNIT:STAND:UPPER:ASS'Y

4.04503010N
(x2)
TAPPING SCREW -
M3X10

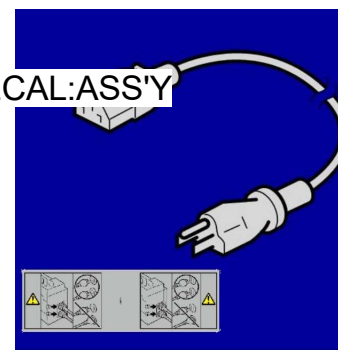


23.D0A56712
COVER:OPERATIO
N SUB-UNIT:STAN
D:UPPER:ASSY

U001	U002	U003	U004	U005	U006	U007	U008	U009	U010	U011	U012	U013	U014	U015	U016	U017	U018	U019	U020
------	------	------	------	------	------	------	------	------	------	------	------	------	------	------	------	------	------	------	------

U020_S003

(EU/AA/TWN/KOR):(CHN[Pro C7200/C7210/C7200X/C7210X]):POWER SUPPLY CODE:DECAL:ASS'Y



29.D0A57981
(EU/AA/TWN/KOR):
(CHN[Pro C7200/C7
210/C7200X/C7210
X]):POWER SUPPL
Y CODE:DECAL:AS
S'Y

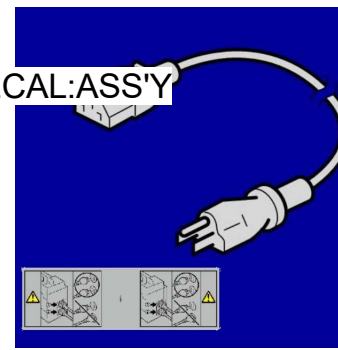


31.D0A58893
DECAL:CAUTION:P
OWER SUPPLY CO
RD

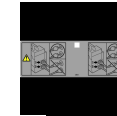
U001	U002	U003	U004	U005	U006	U007	U008	U009	U010	U011	U012	U013	U014	U015	U016	U017	U018	U019	U020
------	------	------	------	------	------	------	------	------	------	------	------	------	------	------	------	------	------	------	------

U020_S004

(EU/AA/TWN/KOR):(CHN[Pro C7200/C7210/C7200X/C7210X]):POWER SUPPLY CODE:DECAL:ASS'Y



29.D0A57981
(EU/AA/TWN/KOR):
(CHN[Pro C7200/C7210/C7200X/C7210X]):POWER SUPPLY CODE:DECAL:ASS'Y



31.D0A58893
DECAL:CAUTION:POWER SUPPLY CORD

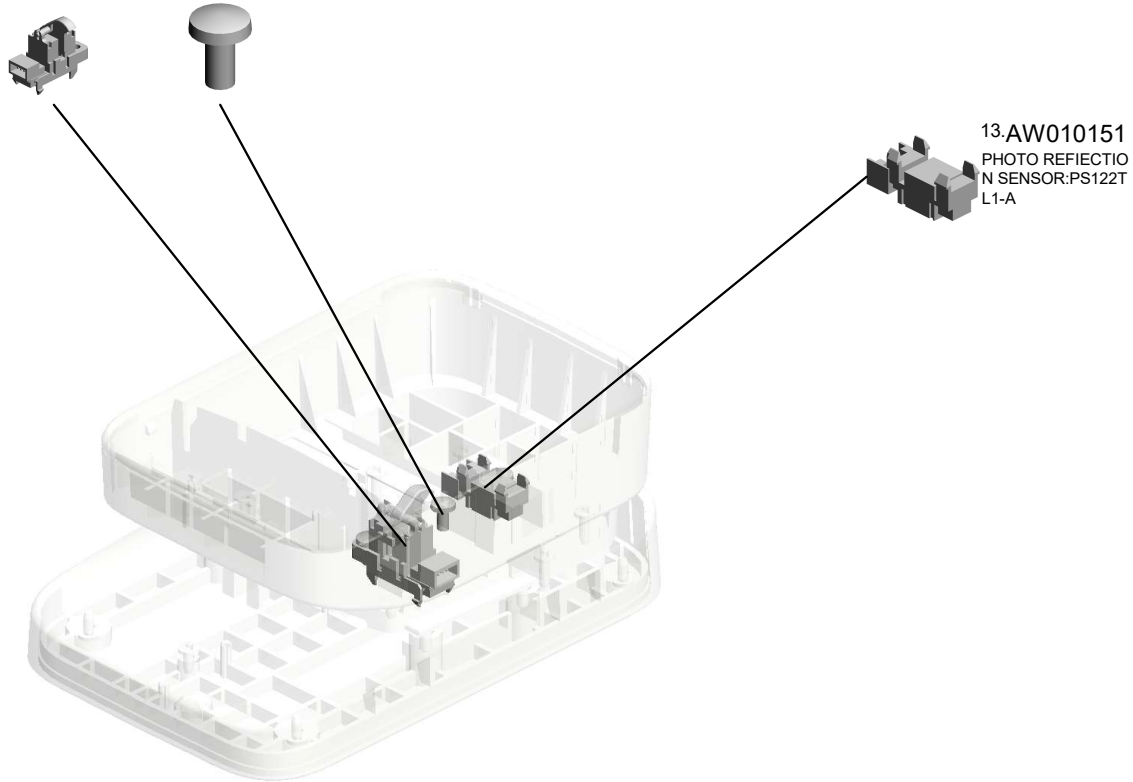
U001	U002	U003	U004	U005	U006	U007	U008	U009	U010	U011	U012	U013	U014	U015	U016	U017	U018	U019	U020
------	------	------	------	------	------	------	------	------	------	------	------	------	------	------	------	------	------	------	------

U020_S005
(CHN):MAIN:ASS'Y

14.AW020209 1.03530060N
ENCODER:PAPER (x3)
THICK BIND SCREW - M3
X6



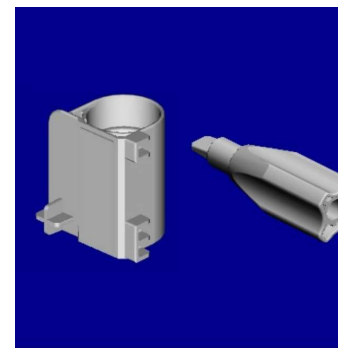
58.D3AK3006
[A]
(CHN):MAIN:ASS'Y
201808-01 X/O



D3AK3000
[A]
(CHN[Pro C7200SX/
C7200/C7210/C720
0X/C7210X]):(AA/T
WN[Pro C7200/C72
201808-01 X/O

U001	U002	U003	U004	U005	U006	U007	U008	U009	U010	U011	U012	U013	U014	U015	U016	U017	U018	U019	U020
------	------	------	------	------	------	------	------	------	------	------	------	------	------	------	------	------	------	------	------

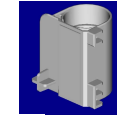
U020_S006
ACCESSORY:KNOB:FUSING:ASS'Y



17.D0744390
ACCESSORY:KNO
B:FUSING:ASS'Y



16.D0744225
KNOB:FUSING

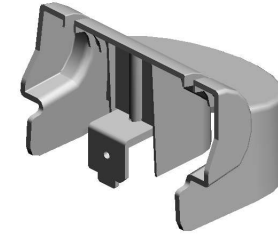


18.D0744391
HOLDER:KNOB:FU
SING:DUAL FACES
TEPE

U001	U002	U003	U004	U005	U006	U007	U008	U009	U010	U011	U012	U013	U014	U015	U016	U017	U018	U019	U020
------	------	------	------	------	------	------	------	------	------	------	------	------	------	------	------	------	------	------	------

U020_S007
COVER:OPERATION SUB-UNIT:STAND:UPPER:ASS'Y

4.04503010N
(x2)
TAPPING SCREW -
M3X10

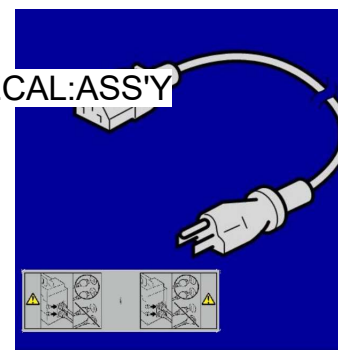


23.D0A56712
COVER:OPERATIO
N SUB-UNIT:STAN
D:UPPER:ASSY

U001	U002	U003	U004	U005	U006	U007	U008	U009	U010	U011	U012	U013	U014	U015	U016	U017	U018	U019	U020
------	------	------	------	------	------	------	------	------	------	------	------	------	------	------	------	------	------	------	------

U020_S008

(EU/AA/TWN/KOR):(CHN[Pro C7200/C7210/C7200X/C7210X]):POWER SUPPLY CODE:DECAL:ASS'Y



29.D0A57981
(EU/AA/TWN/KOR):
(CHN[Pro C7200/C7210/C7200X/C7210X]):POWER SUPPLY CODE:DECAL:ASS'Y

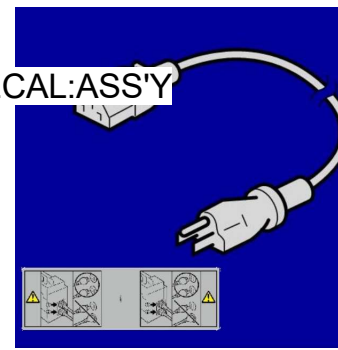


31.D0A58893
DECAL:CAUTION:POWER SUPPLY CORD

U001	U002	U003	U004	U005	U006	U007	U008	U009	U010	U011	U012	U013	U014	U015	U016	U017	U018	U019	U020
------	------	------	------	------	------	------	------	------	------	------	------	------	------	------	------	------	------	------	------

U020_S009

(EU/AA/TWN/KOR):(CHN[Pro C7200/C7210/C7200X/C7210X]):POWER SUPPLY CODE:DECAL:ASS'Y



29.D0A57981
(EU/AA/TWN/KOR):
(CHN[Pro C7200/C7210/C7200X/C7210X]):POWER SUPPLY CODE:DECAL:ASS'Y



31.D0A58893
DECAL:CAUTION:POWER SUPPLY CORD

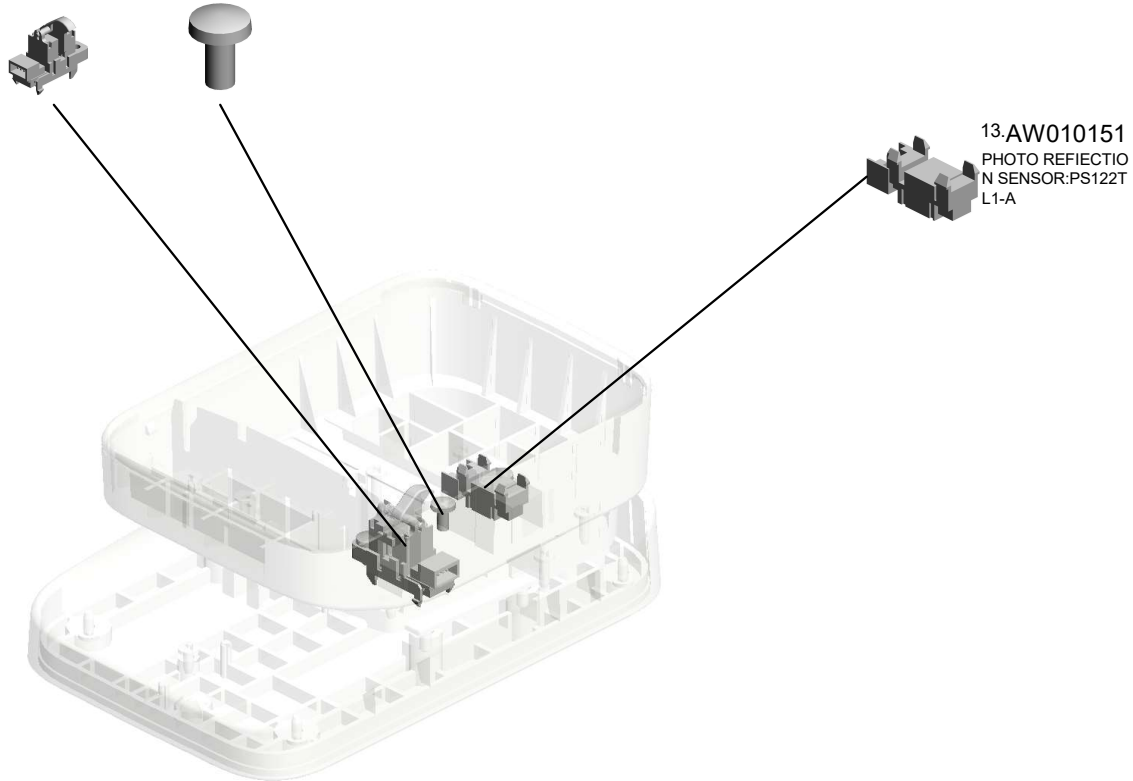
U001	U002	U003	U004	U005	U006	U007	U008	U009	U010	U011	U012	U013	U014	U015	U016	U017	U018	U019	U020
------	------	------	------	------	------	------	------	------	------	------	------	------	------	------	------	------	------	------	------

U020_S010
(CHN):MAIN:ASS'Y

14.AW020209 1.03530060N
ENCODER:PAPER (x3)
THICK BIND SCREW - M3
X6



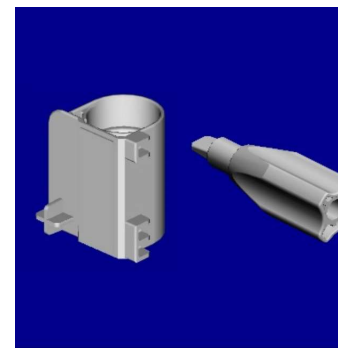
58.D3AK3006
[A]
(CHN):MAIN:ASS'Y
201808-01 X/O



D3AK3000
[A]
(CHN[Pro C7200SX/
C7200/C7210/C720
0X/C7210X]):(AA/T
WN[Pro C7200/C72
201808-01 X/O

U001	U002	U003	U004	U005	U006	U007	U008	U009	U010	U011	U012	U013	U014	U015	U016	U017	U018	U019	U020
------	------	------	------	------	------	------	------	------	------	------	------	------	------	------	------	------	------	------	------

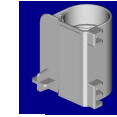
U020_S011
ACCESSORY:KNOB:FUSING:ASS'Y



17.D0744390
ACCESSORY:KNO
B:FUSING:ASS'Y



16.D0744225
KNOB:FUSING

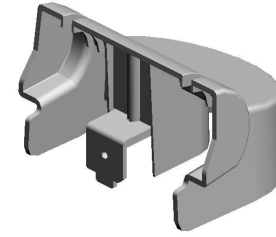
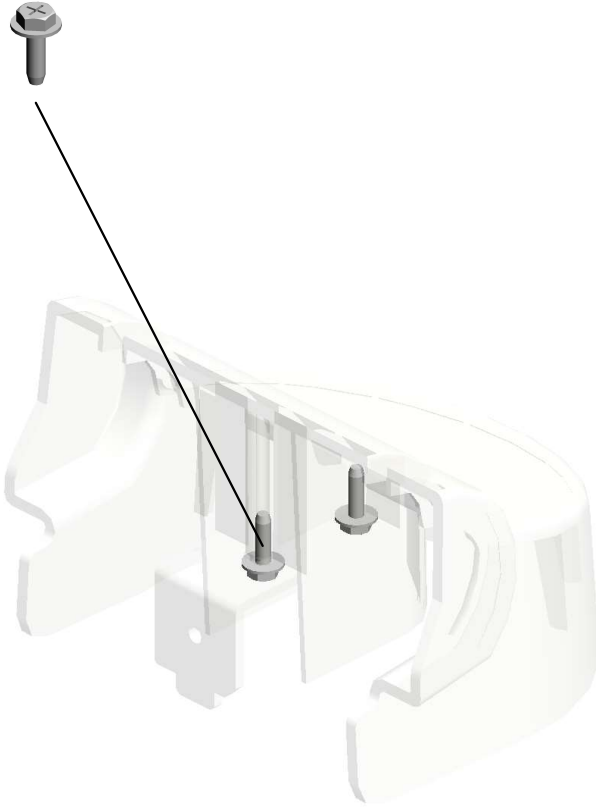


18.D0744391
HOLDER:KNOB:FU
SING:DUAL FACES
TEPE

U001	U002	U003	U004	U005	U006	U007	U008	U009	U010	U011	U012	U013	U014	U015	U016	U017	U018	U019	U020
------	------	------	------	------	------	------	------	------	------	------	------	------	------	------	------	------	------	------	------

U020_S012
COVER:OPERATION SUB-UNIT:STAND:UPPER:ASS'Y

4.04503010N
(x2)
TAPPING SCREW -
M3X10

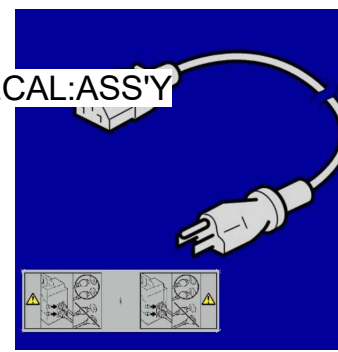


23.D0A56712
COVER:OPERATIO
N SUB-UNIT:STAN
D:UPPER:ASSY

U001	U002	U003	U004	U005	U006	U007	U008	U009	U010	U011	U012	U013	U014	U015	U016	U017	U018	U019	U020
------	------	------	------	------	------	------	------	------	------	------	------	------	------	------	------	------	------	------	------

U020_S013

(EU/AA/TWN/KOR):(CHN[Pro C7200/C7210/C7200X/C7210X]):POWER SUPPLY CODE:DECAL:ASS'Y



29.D0A57981
(EU/AA/TWN/KOR):
(CHN[Pro C7200/C7210/C7200X/C7210X]):POWER SUPPLY CODE:DECAL:ASS'Y

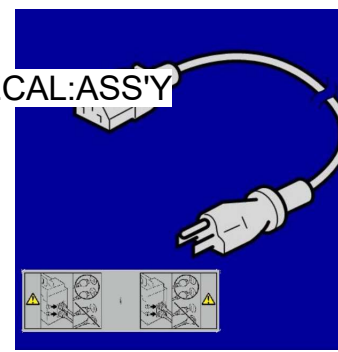


31.D0A58893
DECAL:CAUTION:POWER SUPPLY CORD

U001	U002	U003	U004	U005	U006	U007	U008	U009	U010	U011	U012	U013	U014	U015	U016	U017	U018	U019	U020
------	------	------	------	------	------	------	------	------	------	------	------	------	------	------	------	------	------	------	------

U020_S014

(EU/AA/TWN/KOR):(CHN[Pro C7200/C7210/C7200X/C7210X]):POWER SUPPLY CODE:DECAL:ASS'Y



29.D0A57981
(EU/AA/TWN/KOR):
(CHN[Pro C7200/C7210/C7200X/C7210X]):POWER SUPPLY CODE:DECAL:ASS'Y



31.D0A58893
DECAL:CAUTION:POWER SUPPLY CORD

U001	U002	U003	U004	U005	U006	U007	U008	U009	U010	U011	U012	U013	U014	U015	U016	U017	U018	U019	U020
------	------	------	------	------	------	------	------	------	------	------	------	------	------	------	------	------	------	------	------

U020_S015
(CHN):MAIN:ASS'Y

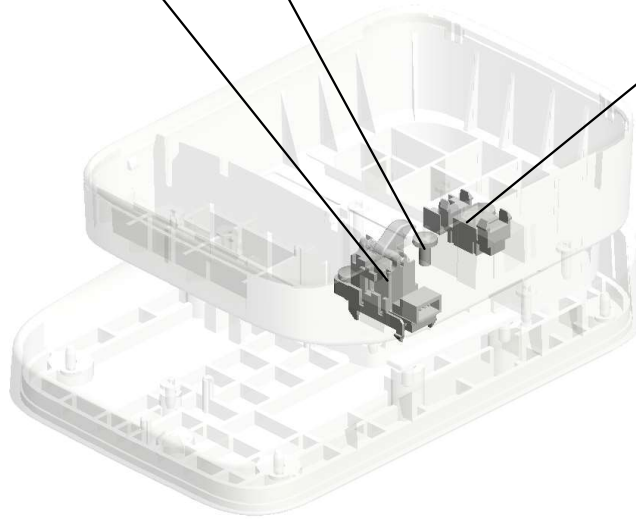
14.AW020209 1.03530060N
ENCODER:PAPER (x3)
THICK BIND SCREW - M3
X6



13.AW010151
PHOTO REFLECTIO
N SENSOR:PS122T
L1-A



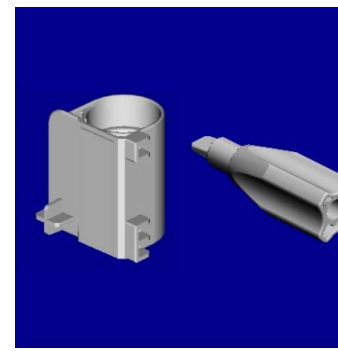
58.D3AK3006
[A]
(CHN):MAIN:ASS'Y
201808-01 X/O



D3AK3000
[A]
(CHN[Pro C7200SX/
C7200/C7210/C720
0X/C7210X]):(AA/T
WN[Pro C7200/C72
201808-01 X/O

U001	U002	U003	U004	U005	U006	U007	U008	U009	U010	U011	U012	U013	U014	U015	U016	U017	U018	U019	U020
------	------	------	------	------	------	------	------	------	------	------	------	------	------	------	------	------	------	------	------

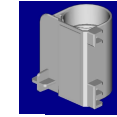
U020_S016
ACCESSORY:KNOB:FUSING:ASS'Y



17.D0744390
ACCESSORY:KNO
B:FUSING:ASS'Y



16.D0744225
KNOB:FUSING

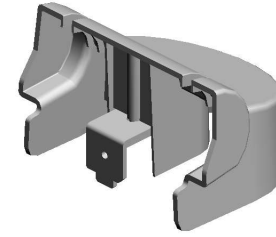
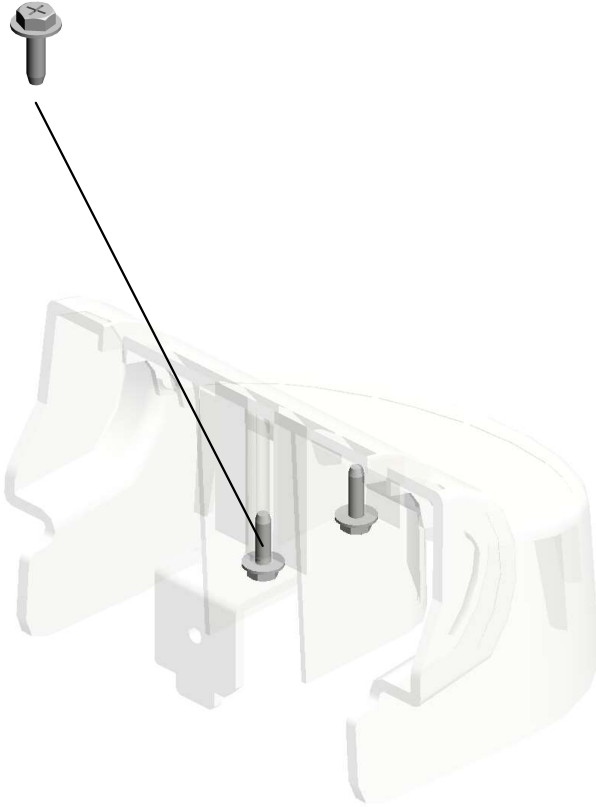


18.D0744391
HOLDER:KNOB:FU
SING:DUAL FACES
TEPE

U001	U002	U003	U004	U005	U006	U007	U008	U009	U010	U011	U012	U013	U014	U015	U016	U017	U018	U019	U020
------	------	------	------	------	------	------	------	------	------	------	------	------	------	------	------	------	------	------	------

U020_S017
COVER:OPERATION SUB-UNIT:STAND:UPPER:ASS'Y

4.04503010N
(x2)
TAPPING SCREW -
M3X10

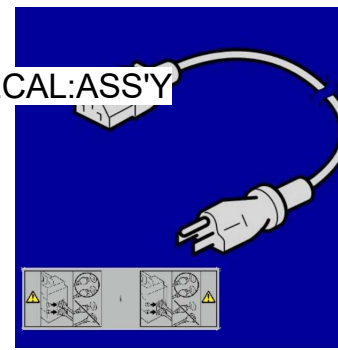


23.D0A56712
COVER:OPERATIO
N SUB-UNIT:STAN
D:UPPER:ASSY

U001	U002	U003	U004	U005	U006	U007	U008	U009	U010	U011	U012	U013	U014	U015	U016	U017	U018	U019	U020
------	------	------	------	------	------	------	------	------	------	------	------	------	------	------	------	------	------	------	------

U020_S018

(EU/AA/TWN/KOR):(CHN[Pro C7200/C7210/C7200X/C7210X]):POWER SUPPLY CODE:DECAL:ASS'Y



29.D0A57981
(EU/AA/TWN/KOR):
(CHN[Pro C7200/C7210/C7200X/C7210X]):POWER SUPPLY CODE:DECAL:ASS'Y

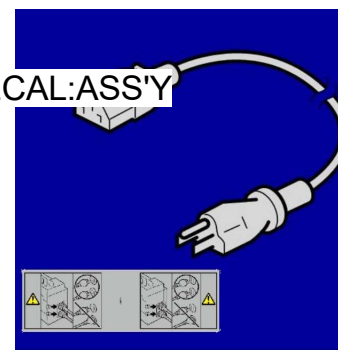


31.D0A58893
DECAL:CAUTION:POWER SUPPLY CORD

U001	U002	U003	U004	U005	U006	U007	U008	U009	U010	U011	U012	U013	U014	U015	U016	U017	U018	U019	U020
------	------	------	------	------	------	------	------	------	------	------	------	------	------	------	------	------	------	------	------

U020_S019

(EU/AA/TWN/KOR):(CHN[Pro C7200/C7210/C7200X/C7210X]):POWER SUPPLY CODE:DECAL:ASS'Y



29.D0A57981
(EU/AA/TWN/KOR):
(CHN[Pro C7200/C7210/C7200X/C7210X]):POWER SUPPLY CODE:DECAL:ASS'Y



31.D0A58893
DECAL:CAUTION:POWER SUPPLY CORD

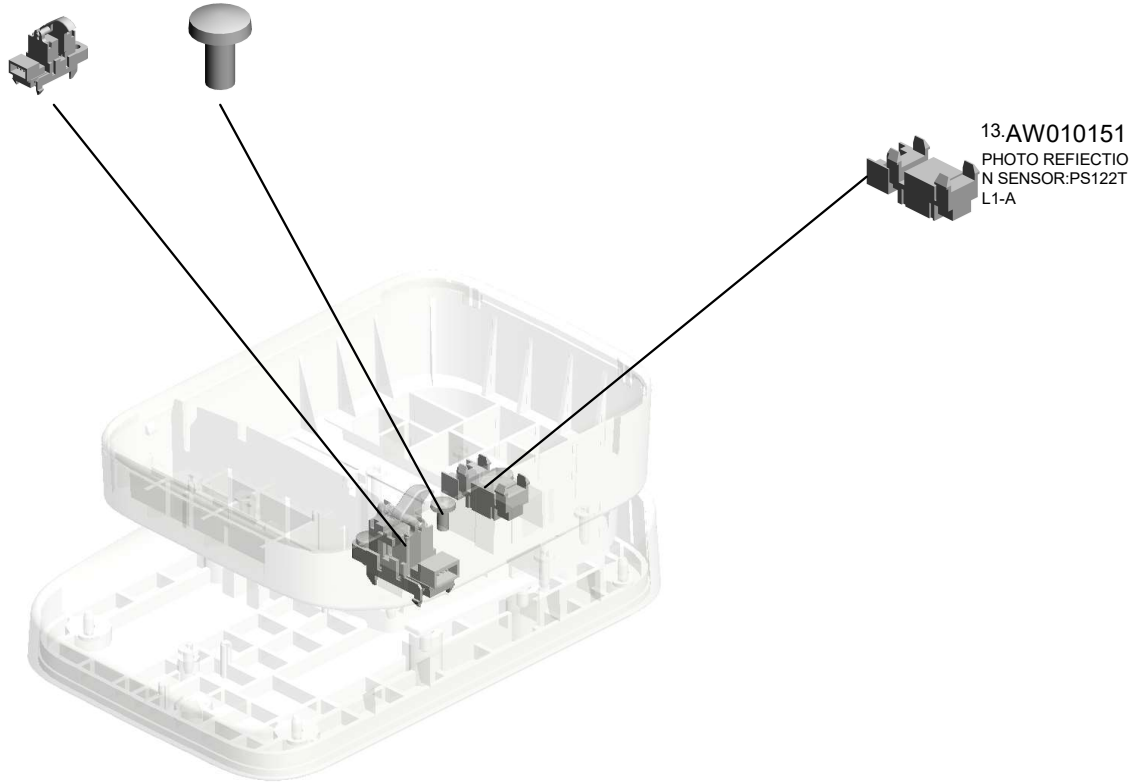
U001	U002	U003	U004	U005	U006	U007	U008	U009	U010	U011	U012	U013	U014	U015	U016	U017	U018	U019	U020
------	------	------	------	------	------	------	------	------	------	------	------	------	------	------	------	------	------	------	------

U020_S020
(CHN):MAIN:ASS'Y

14.AW020209 1.03530060N
ENCODER:PAPER (x3)
THICK BIND SCREW - M3
X6



58.D3AK3006
[A]
(CHN):MAIN:ASS'Y
201808-01 X/O



13.AW010151
PHOTO REFLECTIO
N SENSOR:PS122T
L1-A

D3AK3000
[A]
(CHN[Pro C7200SX/
C7200/C7210/C720
0X/C7210X]):(AA/T
WN[Pro C7200/C72
201808-01 X/O

U001	U002	U003	U004	U005	U006	U007	U008	U009	U010	U011	U012	U013	U014	U015	U016	U017	U018	U019	U020
------	------	------	------	------	------	------	------	------	------	------	------	------	------	------	------	------	------	------	------

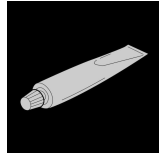
SPECIAL TOOLS



1.52039502
SILICON GREASE 501



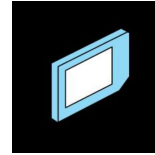
2.A0069104
ADJUSTING SCANNER PIN (4PCS/SET)



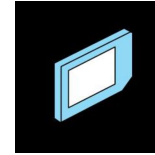
3.A2579300
GREASE - BARRIERTA S552R



4.B1329700
LUBRICANT POWDER



5.B6455010
SD-CARD:ASSY



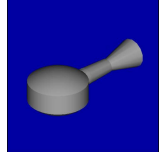
6.B6455020
SD-CARD:SERVICE:1GB:ASSY



7.D0159500
G104 YELLOW TONER



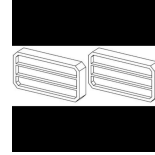
8.D0159501
ZINC STEARATE



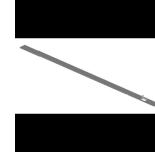
9.D0747690
BRUSH:BLOWER



10.D0749548
DG CLEANER 5PCS/SET



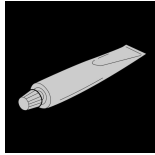
11.D0749549
JIG:OPC SET



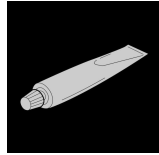
12.D0A53020
ADJUSTING PLATE:CONTACT IMAGE SENSOR:ASSY



13.D0A53999
CYLINDER:GUIDE:HEATER



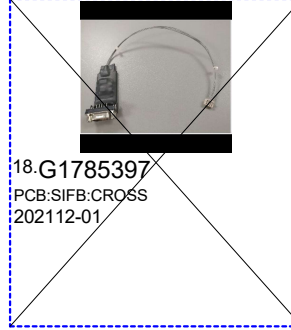
14.G0049668
GREASE:KS660:SHIN-ETSU



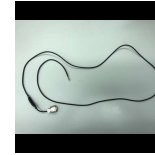
15.VSSG9002
FLUOTRIBO MG GREASE : 100G



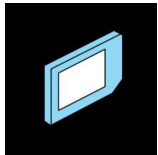
16.D0A55390
HARNES:BLASTER:CRB:CONNECTING
201811-08



18.G1785397
PCB:SIFB:CROSS
202112-01



19.M0B15888
HARNES:DEBUG:MONITOR:SERVICE
201911-11 O/O



20.D0A57797
SD-CARD:SP: BATCH:TOOL:ASSY
202011-02

Exclusive Parts

Number	Part Name	Group	ID
50530223	BUSHING - 8MM	U004_S001	54
50530447	BUSHING - 6MM	U004_S002	55
52039502	SILICON GREASE 501	SPECIAL TOOLS	1
52062686	SNAP RING	U007	32
		U009_S001	11
		U012_S001	31
52152621	SNAP RING - M6	U004	56
		U005	33
		U009_S001	12
53041639	BUSHING - 8MM	U012	32
54472681	SNAP RING	U001	7
		U001_S002	7
		U001_S004	7
		U004	57
		U005	34
		U008_S001	5
		U011	52
		U011_S002	52
54472706	GEAR - 15T	U004_S010	58
		U004_S011	58
67542866	ROLLER - POSITIONING GUIDE	U004	59
A0069104	ADJUSTING SCANNER PIN (4PCS/SET)	SPECIAL TOOLS	2
A1342978	SPRING PLATE	U004_S005_S002	60
A2324666	CUSHION - STEPPER MOTOR	U007	33
		U013	41
A2486687	RIGHT DRIVE SHAFT	U004_S001	61
A2486694	WIRE RING	U004_S001	62
A2486695	GUIDE - PULLEY	U004_S001	63
A2486713	HOOK - TENSION SPRING	U004_S001	64
A2574493	BAND	U011_S002	53
		U013	42
A2579300	GREASE - BARRIERTA S552R	SPECIAL TOOLS	3
A2671820	SHEET - PHOTOINTERRUPTER	U017	29
A2672857	SPRING PLATE - SIDE FENCE	U004_S005_S001	65
A2672859	SIDE FENCE STOPPER	U004_S005_S001	66
A2943354	RACK - 10Z	U005_S010	35

Number	Part Name	Group	ID
		U005_S012	35
		U005_S014	35
		U005_S016	35
		U005_S025	35
		U005_S027	35
		U005_S029	35
		U005_S031	35
A2943447	TONER BOTTLE SET FEELER	U005_S010	36
		U005_S012	36
		U005_S014	36
		U005_S016	36
		U005_S025	36
		U005_S027	36
		U005_S029	36
A2943454	LEVER STOPPER	U005_S010	37
		U005_S012	37
		U005_S014	37
		U005_S016	37
		U005_S025	37
		U005_S027	37
		U005_S029	37
A2946643	LEFT FRONT FENCE	U004_S002	67
		U004_S001	68
		U004_S001	69
		U004_S010	70
		U004_S011	70
		U004_S002_S001	71
		U004_S002_S001	72
U004_S001_S002	73		
U004_S005_S001	74		
U013	43		
U010_S004	15		
U004_S002	75		
U013	44		
U013	45		

Exclusive Parts

Number	Part Name	Group	ID
AA043327	TIMING BELT - B60DS3M453	U013	46
AA043527	TIMING BELT - 230XL	U013	47
AA043587	TIMING BELT:S2M170	U013	48
AA043604	TIMING BELT:B40S2M110	U013	49
AA043634	TIMING BELT - 40S2M296	U011_S002	54
AA043645	SYNCHRONOUS BELT:40S2M426	U015	20
AA043646	SYNCHRONOUS BELT:40S2M596	U015	21
AA043692	SYNCHRONOUS BELT:40S2M182	U013	50
AA043710	SYNCHRONOUS BELT:40S2M158	U013	51
AA043722	SYNCHRONOUS BELT:80S2M182	U011_S002	55
AA043723	TIMING BELT:80S2M200	U011_S002	56
AA043725	TIMING BELT:40S2M142	U007	232
AA043737	TIMING BELT:60S2M188	U004	353
AA043738	SYNCHRONOUS BELT:B60S2M192	U011_S002	57
AA043741	TIMING BELT:60S2M138	U011_S002	58
AA043989	SYNCHRONOUS BELT:60S2M194	U015	22
AA043995	SYNCHRONOUS BELT:80S2M206	U007	228
AA043996	SYNCHRONOUS BELT:80S2M224	U007	227
AA043998	SYNCHRONOUS BELT:60S2M190	U007	234
AA050116	DRIVE WERE:DRIVEN ROLLER	U007	35
AA060523	PICK-UP PRESSURE SPING	U004_S010	77
		U004_S011	77
AA060757	TENSION SPRING - LONG	U004_S001	78
AA060758	TENSION SPRING - SHORT	U004_S001	79
AA060811	TENSION SPRING - STOPPER	U005_S010	38
		U005_S012	38
		U005_S014	38
		U005_S016	38
		U005_S025	38
		U005_S027	38
		U005_S029	38
		U005_S031	38
AA060812	LEVER TENSION SPRING	U005_S010	39
		U005_S012	39
		U005_S014	39
		U005_S016	39
		U005_S025	39
		U005_S027	39

Number	Part Name	Group	ID
		U005_S029	39
		U005_S031	39
AA060961	TENSION SPRING:SIDE FENCE:REAR	U004_S005	80
AA060987	TENSION SPRING:TIMING BELT:10N	U004_S002	81
AA061001	RELEASE SPRING	U004_S010	82
		U004_S011	82
AA061065	TENSION SPRING:DUPLEX:DRIVE N ROLLER	U011_S002	59
		U013	52
AA061067	TENSION SPRING:DRIVE WERE:DRIVE	U007	36
AA061068	TENSION SPRING:BRACKET:DRIVEN ROLLER:INNER BACK	U007	37
AA061069	TENSION SPRING:BRACKET:DC STEPPER MOTOR	U007	38
AA061097	TENSION SPRING:DC SOLENOID:ON-OFF:LARGE CAPACITY TRAY	U011_S002	60
AA061098	TENSION SPRING:DC SOLENOID:ON-OFF:MAIN	U011_S002	61
AA061110	TENSION SPRING:TIGHTENER:DRIVE UNIT:USED TONER	U015	23
AA061111	TENSION SPRING:MIDDLE:DRIVE:USED TONER	U015	24
AA061114	TENSION SPRING:POSITIONING SENSOR	U007	39
AA061115	TENSION SPRING:0.4N	U012_S003	33
AA061116	TENSION SPRING:STRIPPER PLATE:2N	U012_S003_S003	34
AA061117	TENSION SPRING:STRIPPER PLATE:PLATE	U012_S003_S003	35
AA061164	TENSION SPRING:GEAR:ON-OFF	U012_S003	36
AA061170	COIL SPRING:GATE PAWL:EXIT:ENTRANCE	U013	53
AA061199	TENSION SPRING:LEVER:PRESSURE:30N	U012_S003	37
AA061250	TENSION SPRING:PRESSURE:TIMING ROLLER:TRANSFER:REAR	U011_S002	62

Exclusive Parts

Number	Part Name	Group	ID
AA061251	TENSION SPRING:PRESSURE:TIMING ROLLER:TRANSFER:FRONT	U011_S002	63
AA061253	TENSION SPRING:PRESSURE:TIMING ROLLER:REGISTRATION	U011_S002	64
AA061256	TENSION SPRING:TIGHTENER	U011_S002	65
AA062798	TENSION SPRING:HEAT ROLLER:56N	U012_S003	38
AA063268	CONNECTOR SPRING	U004	83
AA063371	SPRING	U006_S005	17
		U006_S006	17
		U006_S007	17
		U006_S008	17
		U006_S009	17
		U006_S029	17
		U006_S030	17
		U006_S031	17
		U006_S032	17
		U006_S033	17
AA063463	COMPRESSION SPRING:DRAWER	U012	39
AA063465	COMPRESSION SPRING:CLEANING FELT:27N	U012_S001	40
AA063471	COMPRESSION SPRING:PRESSURE:8N	U004	84
AA063674	SPRING - 8N	U013	54
		U014	12
AA063675	SPRING - 5N	U013	55
		U013_S004	55
AA063678	SPRING - 3.5N	U011_S002	66
AA063693	COMPRESSION SPRING:PRESSURE:DRIVEN ROLLER	U004	85
		U004_S010	85
		U004_S011	85
AA063694	COMPRESSION SPRING:HANDLE	U004	86
AA063695	COMPRESSION SPRING:GRIP	U004	87
AA063725	COMPRESSION SPRING:CONNECTOR:DRAWER:UPPER	U011	67
AA063743	COMPRESSION SPRING:ROLLER:POLISH:20N	U012_S003_S003	41
AA064005	COMPRESSION SPRING:PRESSURE	U012_S003	42

Number	Part Name	Group	ID
	E:701N		
AA066320	FEELER TORTION SPRING	U005_S010	40
		U005_S012	40
		U005_S014	40
		U005_S016	40
		U005_S025	40
		U005_S027	40
		U005_S029	40
		U005_S031	40
AA066397	TORSION SPRING:WEB:MECHANICAL DRIVE SECTION	U012	43
AA066400	COIL SPRING:PAWL:OPEN AND CLOSE	U011_S002	68
AA066401	TORSION SPRING:FEELER	U012_S001	44
AA066402	TORSION SPRING:GUIDE PLATE:REAR	U011_S002	69
AA066428	TORSION SPRING:GUIDE PLATE:FRONT	U011_S002	70
AA066686	TORSION SPRING:LOCK:SEPARATION:FRONT:15N	U012_S003	45
AA066687	TORSION SPRING:LOCK:SEPARATION:REAR:15N	U012_S003	46
AA066691	TORSION SPRING:GRIP	U012_S003	47
AA080154	REAR BUSHING	U009_S001	13
AA080247	BUSHING - B-F6-3	U012_S003	48
AA080265	BUSHING:6X8X5	U004	88
AA080346	BUSHING:FLANGE TYPE:DIA6	U004	89
		U011_S002	71
		U013	56
AA080354	BUSHING - 6MM	U012_S001	49
AA080355	BUSHING - 7MM	U012_S001	50
AA080356	BUSHING - 6MM	U012_S001	51
AA082101	BUSHING - 6X10X6	U005	41
		U005_S010	41
		U005_S012	41
		U005_S014	41
		U005_S016	41
		U005_S018	41

Exclusive Parts

Number	Part Name	Group	ID
		U005_S025	41
		U005_S027	41
		U005_S029	41
		U005_S031	41
		U012_S003	52
		U012_S003_S003	52
		U013	57
AA082104	BUSHING - 8X12X7	U011_S002	72
		U013	58
AA082137	BUSHING:6X10X6	U008_S001	6
		U009_S001	14
AA082144	BUSHING - 8X12X7	U005	42
		U007	40
AA082173	PLAIN SHAFT BEARING:6X10X6	U011	73
AA083009	CLUTCH ROLLER - 8X18X11	U004_S010	90
		U004_S011	90
AA083022	BUSHING:DIA6:DIA8	U007	41
		U008_S001	7
AA084059	BALL BEARING HOLDER	U004	91
		U004_S010	91
		U004_S011	91
		U011_S002	74
		U013	59
		U013_S001	59
		U013_S004	59
		U014	13
AA120097	ANTISTATIC BRUSH	U013_S001	60
AA120145	DISCHARGE BRUSH:REVERSE:17MM	U013	61
AA132203	SPACER - 6MM	U004	92
		U004_S001	92
AA132300	ROLLER:LOCK:PULL OUT	U011_S002	75
		U013	62
AA140686	SHAFT - TIMING PULLEY	U004_S002	93
AA140912	SCREW - 8X14X2.8	U004	94
AA140937	SHAFT:GRIP:LOWER	U004	95
AA143444	STEPPED SCREW	U013_S001	63
AA143520	SHOULDER SCREW - M3	U012_S001	53

Number	Part Name	Group	ID
		U012_S003	53
		U012_S003_S003_S001	53
		U012_S003_S004	53
AA143544	SCREW - M3	U005	43
		U005_S009	43
		U018	29
AA143545	SCREW:M4	U017	30
AA143550	SCREW:DIA4:M3	U004	96
AA143562	SCREW:M4:DIA6X1.2	U005_S010	44
		U005_S012	44
		U005_S014	44
		U005_S016	44
		U005_S025	44
		U005_S027	44
		U005_S029	44
		U005_S031	44
AA143569	SCREW	U004	97
AA143585	SHAFT:MISFEED REMOVAL:UPPER	U004	98
AA143586	SHAFT:MISFEED REMOVAL:LOWER	U004	99
AA143587	SHAFT:MISFEED REMOVAL:VERTICAL TRANSPORT	U004	100
AA143645	STEPPED SCREW:M3:45MM	U018	30
AA143718	STEPPED SCREW - M4	U004	101
AA143744	STEPPED SCREW	U007	42
AA143797	CONNECTOR GUIDE PIN	U004	102
		U011	76
		U019	23
AA143807	SCREW:A	U011_S002	77
AA143811	STEPPED SCREW - M3X4	U011_S002	78
		U013	65
AA143812	SCREW - SCALE	U011_S002	79
AA143822	STEPPEDSCREW - M3.5	U007	43
AA143828	SCREW:FLY WHEEL	U005	45
AA143848	STEPPED SCREW - M3	U017_S006	31
		U017_S008	31

Exclusive Parts

Number	Part Name	Group	ID
AA143872	SCREW:DIA6:M4	U004	103
		U012_S003	54
AA143883	SHAFT:STOPPER:PAPER TRAY	U004	104
AA143884	STEPPED SCREW:DIA5.4:DIA3.5:M3:LONG	U011	80
AA148776	SHAFT:DRIVE	U004	105
AA148777	SHAFT:ARM:LINK	U004	106
AA148778	SHAFT:ARM:PLATE	U004	107
AA161104	CUSHION - MOTOR	U018	31
		U018_S001	31
		U018_S002	31
		U018_S003	31
		U018_S004	31
AA161122	MOTOR CUSHION	U014	14
AA161125	RUBBER CUSHION	U017_S006	32
		U017_S008	32
AA161157	BRACKET CUSHION	U011_S002	81
AA161172	CUSHION:GUIDE PLATE	U004	110
AA161177	CUSHION:BASE:TANDEM LCT:LARGE	U004_S001	362
AA161178	CUSHION:BASE:TANDEM LCT:SMALL	U004_S001	363
AA161180	CUSHION:DC STEPPER MOTOR	U004	111
		U011_S002	82
		U013	66
AB010173	GEAR - 60Z	U012_S001	55
AB010174	GEAR - 20Z/50Z	U012_S001	56
AB010175	GEAR - 24Z	U012_S001	57
AB010176	GEAR - 24Z	U012_S001	58
AB010177	GEAR - 32Z	U012_S001	59
AB010178	WORM GEAR	U012_S001	60
AB011125	GEAR:20/29Z	U009_S001	15
AB011126	GEAR:20Z	U009_S001	16
AB011392	DRIVE REVERSE GEAR - 24Z	U004_S010	112
		U004_S011	112
AB011523	GEAR - 24Z	U012	61
AB011524	GEAR - 36Z	U012	62
AB011526	GEAR - 24Z	U012	63

Number	Part Name	Group	ID
AB011550	GEAR:DRIVE UNIT:USED TONER:35Z	U015	25
AB011591	GEAR:REVERSE	U004_S010	113
		U004_S011	113
AB012005	GEAR - 13Z	U005	46
AB012007	(Pro C7200SX/C7210SX/C7200X/C7210X):GEAR - 14Z	U005_S018	47
AB012008	(Pro C7200SX/C7210SX/C7200X/C7210X):GEAR - 23Z	U005_S018	48
AB012203	GEAR:DRIVE:ROLLER:FUSING:B	U012_S002	64
		U012_S003	64
AB012205	GEAR:IDLER:ON-OFF	U012_S003	65
AB012207	GEAR:POLISH:ROLLER:A	U012_S002	66
AB012214	GEAR:POLISH:ROLLER:A	U012_S003	67
		U012_S003_S003	67
AB012327	GEAR:16Z	U004_S005	114
AB013421	GEAR - 18Z	U013	67
AB013765	GEAR:DRIVE:USED TONER:36Z	U015	26
AB013781	GEAR - 30Z	U004_S001	115
AB013798	GEAR - Z18	U004_S002	116
AB014243	GEAR:IDLER:Z30	U011_S002	83
AB017515	DOUBLE GEAR - 12/23Z	U005_S010	49
		U005_S012	49
		U005_S014	49
		U005_S016	49
		U005_S025	49
		U005_S027	49
		U005_S029	49
		U005_S031	49
AB017725	GEAR/TIMING PULLEY - 20Z/20T	U004	117
AB017726	GEAR/TIMING PULLEY - 20Z/20T	U004	118
AB017771	GEAR:TRANSPORT ROLLER:INPUT:Z23/Z28	U004_S010	119
		U004_S011	119
AB017815	GEAR:Z24:Z41	U015	27
AB017820	GEAR:DRIVE:101Z/52Z	U015	28
AB017857	GEAR:PULLEY:DEVELOPMENT DRIVE UNIT:65Z/30T	U015	29
AB017858	GEAR:64Z/51Z	U015	30

Exclusive Parts

Number	Part Name	Group	ID
AB017860	(Pro C7200SX/C7210SX/C7200X/C7210X):GEAR:DRIVE:Z61:Z18	U015	31
AB017880	GEAR:IDLER:DRIVE:EXIT:Z101/42	U015	32
AB017881	GEAR:PULLEY:DRIVE:USED TONER:44Z/32T	U015	33
AB017882	GEAR:DRIVE UNIT:USED TONER:48Z/24Z	U015	34
AB017883	GEAR:IDLER:DRIVE UNIT:USED TONER:77Z/23Z	U015	35
AB017884	GEAR:PULLEY:DRIVE UNIT:USED TONER:36Z/32T	U015	36
AB019475	GEAR - 48T	U004_S002	120
AB030081	PULLEY - 20Z	U013	68
AB030805	PULLEY:COUPLING:30T	U013	69
AB030808	TIMING PULLEY - 20T	U013	70
AB030842	TIMING PULLEY:S2M:30T	U013	71
AB030844	TIMING PULLEY:T19:S3M	U013_S001	72
AB030846	TIMING PULLEY:S2M:22T	U011_S002	84
		U013	73
AB030850	PULLEY:TIGHTENER:DRIVE:USED TONER	U015	37
AB030851	PULLEY:DRIVE:USED TONER:25T	U015	38
AB030852	PULLEY:IDLER:DRIVE:USED TONER:32T	U015	39
AB032058	WIRE PULLEY - M10	U004_S001	121
AB032072	PULLEY:DRIVEN:WIRE	U007	44
AB032719	PULLEY - M10	U004_S001	122
AB032721	PULLEY - M18	U013	74
AB033084	TIMING PULLEY - 15T	U004_S002	123
AB033085	TIMING PULLEY - 15T	U004_S002	124
AC020152	LENS:LED:3	U001_S008	8
		U001_S009	8
		U001_S010	8
		U001_S011	8
		U013	75
AC020153	LENS:LED:4	U001_S008	9
		U001_S009	9
		U001_S010	9

Number	Part Name	Group	ID
		U001_S011	9
		U004	125
		U013	76
AE010157	HOT ROLLER:DIA62	U012_S003	68
AE020254	PRESSURE ROLLER:PRESS FIT	U012_S003	69
AE030044	BALL BEARING - 10X22X6	U012_S003	71
AE030049	BALL BEARING -20X32X7	U012_S003	72
AE030086	RADIAL BALL BEARING:DIA25XDIA37X7	U012_S003	73
AE031075	PLAIN SHAFT BEARING:DIA4:MECHANICAL ROLLER CLUTCH	U012_S001	74
AE031076	BUSHING:DIA4	U012_S001	75
AE032034	THERMAL INSULATING BUSHING:DIA22	U012_S003	76
AE045073	WEB:SUB-ASS'Y	U012_S001	231
AF017033	END FENCE	U004_S005	126
AF020740	TRANSPORT ROLLER:VERTICAL TRANSPORT:DRIVE	U004	127
AF020741	TRANSPORT ROLLER:GRIP:DRIVE	U004	128
AF020743	TRANSPORT ROLLER:DRIVE:PAPER FEED UNIT	U004_S010	129
		U004_S011	129
AF020744	TRANSPORT ROLLER:DRIVEN:PAPER FEED UNIT	U004_S010	130
		U004_S011	130
AF020786	TRANSPORT ROLLER:EXIT:PAPER BANK:DRIVE	U004	131
AF022064	TRANSPORT ROLLER:DRIVEN	U011_S001	85
AF022067	GUIDE STOPPER ROLLER	U011_S002	86
		U013	77
AF022105	ROLLER - SLIDE RAIL	U004_S001	132
AF022165	TRANSPORT ROLLER - DRIVEN	U004	133
AF022167	TRANSPORT ROLLER - DRIVEN	U011_S002	87
AF022178	TRANSPORT ROLLER:DRIVEN:DIA17.7X2:INNER	U011_S002	88
AF030173	PAPER FEED ROLLER:PICKUP	U004_S010	371
		U004_S011	371
AF031098	PAPER FEED ROLLER:FEED	U004_S010	135
		U004_S011	135
AF032098	PAPER FEED ROLLER:SEPARATE	U004_S010	136

Exclusive Parts

Number	Part Name	Group	ID
		U004_S011	136
AG050100	KNOB - TRANSPORT ROLLER	U004	137
		U011_S002	89
		U013	78
		U004	138
AG050101	KNOB - MISFEED REMOVAL	U004	138
AG051141	RELEASE LEVER	U011_S002	90
AG070022	MAGNET CATCH:25.5N	U013	79
AG070512	MAGNET CATCH:ASS'Y	U001	10
AG070513	MAGNET CATCH	U011_S002	91
AG070514	MAGNET CATCH	U001	11
AG071012	MAGNET CATCH:ASS'Y	U010	16
AG071013	MAGNET CATCH:24.5N:ASS'Y	U001	12
		U001_S004	12
AH012031	CASTER:1470N	U019	24
AW010113	SENSOR	U004_S001	139
AW010143	PHOTO REFLECTION SENSOR:PSR11TL1R-C	U014	15
AW010147	PHOTO REFLECTION SENSOR	U012_S003_S003_S002	78
AW010151	PHOTO REFLECTION SENSOR:PS122TL1-A	U020_S005	13
		U020_S010	13
		U020_S015	13
		U020_S020	13
AW010200	PAPER FEED SENSOR:FUSING EXIT	U012	79
		U012_S003	79
AW020163	PAPER FEED SENSOR	U004_S002	140
AW020164	OIL END SENSOR	U010	17
AW020198	PHOTOINTERRUPTOR:LG2A14NL1	U004_S010	141
		U004_S011	141
AW020209	ENCODER:PAPER THICK	U011_S002	92
		U020_S005	14
		U020_S010	14
		U020_S015	14
		U020_S020	14
AW020213	OPTICS SENSOR:ENCODER:300LP I	U013	80
AW020217	OPTICS SENSOR:ENCODER:300LP I	U007	45
		U011_S002	93

Number	Part Name	Group	ID
		U015	40
AW020218	POSITIONING SENSOR:FLAT BELT -TRANSFER	U007	46
AW020219	PHOTOINTERRUPTOR:ACTUATOR :29.2MM	U007	47
AW100169	THERMISTOR:ASS'Y	U018	32
AW100183	THERMOPILE	U018	33
AW100195	THERMISTOR:FS:APPROVAL	U012_S003	80
AW110052	THERMOSTAT:211C	U012_S003	81
AW110122	THERMOSTAT:225C:250V/17A	U012_S003	82
AW140015	TEMPERATURE & HUMIDITY SENSOR	U006	18
		U019	25
AW500010	PUSH SWITCH	U004	142
AW500045	PUSH SWITCH	U004	143
		U006	19
		U007	48
		U010	18
AX040196	STEPPER MOTOR:PAPER TRANSPORT MD:MM56	U011_S002	94
AX040199	DC MOTOR:RISING TRAY:ASS'Y	U004	144
AX040276	STEPPER MOTOR:MM56:TRANSPORT	U004	145
		U014	16
AX040307	STEPPER MOTOR:MM56:TRANSPORT	U011_S002	95
AX060376	BRUSHLESS MOTOR:DEVELOPMENT:COLOR	U005	50
AX060458	DC MOTOR:DIA56:16.5W:BRUSHLESS	U007	49
AX060459	DC MOTOR:DIA63:24V:24.4W:BRUSHLESS	U015	41
AX060462	DC MOTOR:DIA73:56W:BRUSHLESS	U015	42
AX060463	DC MOTOR:DIA56:14.7W:BRUSHLESS	U015	43
AX060464	DC MOTOR:ENCODER:NO:10W:GEAR:BRUSHLESS	U013	83
AX060503	DC MOTOR:39.5W:BRUSHLESS	U015	44
AX060510	DRIVE SUB-UNIT:ON-OFF:PRESSURE	U015_S001	45

Exclusive Parts

Number	Part Name	Group	ID
	RE ROLLER	U015_S002	45
AX060517	DC STEPPER MOTOR:MM56XL76	U011_S002	96
		U013	84
AX060535	DC MOTOR:GEAR:10W	U013	255
AX061204	DC MOTOR:11.5W:BRUSHLESS	U010	19
		U015	46
AX061315	DC MOTOR:DIA65:24V:23.5W	U015	47
AX061316	DC MOTOR:DIA63:27.7W:BRUSHLESS	U015	48
AX061318	(Pro C7200SX/C7210SX/C7200X/C7210X):STEPPER MOTOR:DC32.4W 1.35A	U015	49
AX400178	HEATER:240V:18W:UPPER	U004_S004	357
AX400275	HEATER:230V:9W	U007	235
AX440470	HEATER:PRESSURE ROLLER:227V:800W:(C7200+/C7210+)	U012_S003	84
AX450069	(EU/AA/TWN/KOR/CHN):HEATER:H EAT ROLLER:227V:1100WX3	U012_S003	85
AX640199	FAN:MM80:25MM:DC 2.16W	U016	29
		U017	33
AX640219	DC FAN MOTOR:DC24V:MM60:25MM	U018	34
AX640229	DC FAN MOTOR:DC24V:MM120:25MM	U017_S002	34
AX640240	FAN:SIROCCO:DC24V:60MM	U013	85
AX640243	DC FAN MOTOR:MM40:15MM:1.2W	U018	35
AX640244	DC FAN MOTOR:MM40:10MM:1.1W	U018	36
AX640330	FAN:SIROCCO:DIA51	U018	37
AX660014	DC FAN MOTOR:DIA97X38:DC24V: PWM:38.88W	U018	38
AX660015	DC FAN MOTOR:SIROCCO:DC24V: PWM	U017	35
		U018	39
AX660016	DC FAN MOTOR:MM60X38:DC24V: PWM:18W	U013	86
		U018	40
AX660028	DC FAN MOTOR:MM80X38:DC24: PWM:7.2W	U018	41
AX660914	DC FAN MOTOR:DC24V:MM120: PWM CONTROL	U017	36

Number	Part Name	Group	ID
AZ220032	POWER SUPPLY UNIT:12V:50W	U017	37
AZ230334	POWER SUPPLY UNIT	U017	38
AZ250066	POWER SUPPLY UNIT:864W	U016	30
		U017	39
AZ300065	POWER PACK:T1	U007	51
AZ300066	POWER PACK:T2	U007	52
AZ310032	POWER PACK:D	U011_S002	97
AZ310045	POWER PACK:B:T3	U016	32
AZ310048	POWER PACK:TRANSFER:T3	U007	53
AZ310052	POWER PACK:CHARGE	U016	62
B0042995	CAP - POSITIONING	U004	146
B0044438	BUSHING	U005_S011	51
		U005_S013	51
		U005_S015	51
		U005_S017	51
		U005_S026	51
		U005_S028	51
		U005_S030	51
		U005_S032	51
B0391367	RIVET - M6	U017	40
B0651374	CLOTH - DF EXPOSURE GLASS	U020	15
B0656118	GUIDE PLATE:HEAT SINK:UPPER: FIBER	U004_S004	358
B0656136	TRAY LOCK ARM	U004	147
B0656345	PAPER END SENSOR BRACKET	U004_S010	148
		U004_S011	148
B0656524	BOTTOM PLATE LIFT SHAFT	U004_S005	149
B0656526	LIFT LEVER	U004_S005	150
B0656545	DECAL - POSITIONING	U004_S005	151
B0656591	PAPER TRAY HOLDER BASE	U004	152
B0656717	PAPER VOLUME SHIELD PLATE	U004_S001	153
B0656769	LOCK ARM	U004	154
B0656823	TIMING BELT COVER	U004_S002	155
B0656830	PULLEY BRACKET	U004_S002	156
B0656831	SENSOR BRACKET	U004_S002	157
B0656862	LARGE LEVER	U004_S001	158
B0656864	SMALL LEVER	U004_S001	159
B0656870	STAY -RIGHTBASE	U004_S001	160

Exclusive Parts

Number	Part Name	Group	ID
B0656872	OIL DAMPER BRACKET	U004_S001	161
B0656875	PROTECTION -INNER COVER	U004_S001	162
B0706667	END FENCE COVER FRONT	U004_S001	163
B0706683	LEVER:RELEASE:FRONT	U004_S001	164
B0706684	LEVER:RELEASE:REAR	U004_S001	165
B1041303	HINGE SHAFT	U001	13
B1253659	CUSHION:SWIVEL:STOPPER	U013	87
B1321183	BRACKET:LOCK	U011_S002	98
		U013	88
B1321221	HOLDER:SPRING:PULL OUT	U011_S002	99
		U013	89
B1322264	BUSHING:TERMINAL	U008_S001	8
B1322366	LEVER:DRUM STAY:LEFT	U011_S002	100
		U017	41
B1324168	GRIP:OIL APPLICATION UNIT	U012_S003_S003	87
B1324197	TORSION SPRING:LEVER	U012_S003_S003	88
B1325996	DECAL:TOTAL COUNTER	U014	17
B1326114	CAM:ON-OFF:BLACK	U007	54
B1326726	BRACKET:ARM:ASS'Y	U004	166
B1326738	BRACKET:LIFT MOTOR:TANDEM LCT	U004	167
B1326764	BRACKET:CONNECTOR:RIGHT	U004	168
B1326791	PLATE:SIDE FENCE	U004_S005_S002	169
B1326797	SIDE FENCE:REAR:AUXILIARY	U004_S005	170
B1326798	SPRING PLATE:PAPER TRAY:EAR TH	U004_S005	171
B1327541	TRAY BOTTOM PLATE:LEFT REAR	U004_S002	172
B1327550	COVER:PULLEY:DRIVE WERE	U004_S001	173
B1327561	BACK FENCE:LEFT	U004_S002	174
B1327564	SLIDER:BACK FENCE:LEFT	U004_S002	175
B1327575	BRACKET:CONNECTOR:TANDEM LCT	U004_S001	176
B1327591	RAIL:PAPER TRAY:ASS'Y	U004	177
B1329700	LUBRICANT POWDER	SPECIAL TOOLS	4
B1816780	LINK:END FENCE:PAPER SIZE SENSOR:ASS'Y	U004_S005	178
B1816789	LINK:SIDE FENCE:PAPER SIZE SENSOR	U004_S005	179

Number	Part Name	Group	ID
B2233485	(Pro C7200SX/C7210SX/C7200X/C7210X):SEAL:HOLDER:STOPPER:SHUTTER:1	U005	52
B2234317	STEPPER MOTOR:DC24V 24.3W	U012	89
B2236171	RUBBER BUSHING:ENCODER	U007	55
		U011_S002	101
		U013	90
		U015	50
B2341293	LEVER - SAFETY SWITCH	U001	14
		U001_S002	14
		U001_S004	14
B2342390	FLANGED HEXAGONAL HEAD BOLT:M4X8	U005	53
		U006	20
		U007	56
		U008	9
		U009	17
		U012	90
		U013_S001	91
B2342624	BALL BEARING - 8X12X5	U004_S010	180
		U004_S011	180
B2342864	PAD:CLEANER	U004_S005_S001	181
		U004_S005_S002	181
B2343356	JOINT:CHUCK:TONER BOTTLE	U005_S010	54
		U005_S012	54
		U005_S014	54
		U005_S016	54
		U005_S025	54
		U005_S027	54
		U005_S029	54
		U005_S031	54
B2344460	DISCHARGE BRUSH - L=341 SUS	U013_S001	92
B2344858	DRIVEN ROLLER HOLDER	U011_S002	102
		U013	93
B2346120	BRACKET:POSITIONING:PAPER TRAY	U004	182
B2346138	RAIL - TANDEM LCT	U004	183
B2346141	POSITIONING SLEEVE - INNER BACK	U004	184
		U004_S001	184

Exclusive Parts

Number	Part Name	Group	ID
B2346188	SLIDE SLEEVE POSITIONING	U004	185
B2346222	REVERSE DRIVE SHAFT	U004_S010	186
		U004_S011	186
B2346223	DRIVEN REVERSE SHAFT	U004_S010	187
		U004_S011	187
B2346242	GUIDE - ROLLER:DRIVEN PRESSURE	U004_S010	188
		U004_S011	188
B2346275	PICKUP ARM	U004_S010	189
		U004_S011	189
B2346288	BSENSOR BRACKET - SENSOR	U004_S010	190
		U004_S011	190
B2346301	TORQUE LIMITER:75MN M	U004_S010	191
		U004_S011	191
B2346424	RELEASE GRIP	U011_S002	103
		U013	94
B2346495	GUIDE:FRONT:PAPER TRAY	U004	192
B2346497	GUIDE:REAR:PAPER TRAY	U004	193
B2346498	SHEET:TRAY BOTTOM PLATE	U004_S005	194
B2346506	TIMING PULLEY - 30T	U004	195
B2346508	TENSION SPRING	U004	196
B2346514	TIMING BELT - S2M126	U004	197
B2346530	BRACKET	U004	198
B2346531	TIGHTENER BRACKET	U004	199
B2346532	TIGHTENER BRACKET	U004	200
B2346533	TIMING BELT - S2M152	U004	201
B2346542	GRIP DRIVE SHAFT	U004	203
B2346606	SENSOR BRACKET	U004_S001	204
B2346612	END FENCE - FRONT	U004_S001	205
B2346625	END FENCE - REAR	U004_S001	206
B2346630	(EU/AA/TWN/KOR/CHN):GUIDE PLATE - END FENCE	U004_S001	207
B2346686	SIDE FENCE - RIGHT FRONT	U004_S001_S001	208
B2346691	SIDE FENCE:TANDEM LCT:RIGHT:ASS'Y	U004_S001_S002	209
B2347540	TRAY BOTTOM PLATE:LEFT FRONT	U004_S002	210
B2384755	TIMING BELT - B40S2M166	U011	104
B2476695	GUIDE:MISFEED REMOVAL:PAPER	U004_S001	211

Number	Part Name	Group	ID
	TRAY	U004_S005	211
B2476753	LOCK SPRING - LARGE	U004	212
B2476754	LOCK SPRING - SMALL	U004	213
B2476901	OIL DAMPER:FALL	U004_S001	214
B2476950	SHAFT:SLIDER:BACK FENCE	U004_S002	215
B2476951	BRACKET:PULLEY:DRIVEN:ASS'Y	U004_S002	216
B2591131	SCREW:PCU	U006	21
B3031116	GROUNDING PLATE	U016	33
		U017	42
B3033682	MISFEED REMOVAL KNOB	U004	217
B4756855	SHIELD:TANDEM LCT:REAR RIGHT	U004_S001_S002	218
B5457506	SCREW:BUSHING	U008_S001	10
B6455010	SD-CARD:ASS'Y	SPECIAL TOOLS	5
B6455020	SD-CARD:SERVICE:1GB:ASS'Y	SPECIAL TOOLS	6
B7001802	TIMING BELT:B40S2M134	U004	219
		U008_S001	11
B7004428	TIMING BELT:B40S2M158	U004	220
B7125605	GRIP:APPLICATION	U017	43
B8323909	BRACKET CUSHION	U004	221
B8343312	COLLAR	U004	222
B8352889	TIMING BELT - B60S2M144	U013	95
B8353968	TIMING BELT - B60S2M126	U013	96
B8722614	BUSHING:R1	U012_S003_S003	91
BA146065	SHAFT:STOPPER:TANDEM LCT	U004	223
BB013007	GEAR - 20Z	U004	224
		U004_S010	224
		U004_S011	224
BB013008	GEAR - 31Z	U004_S010	225
		U004_S011	225
BB013011	GEAR - 22Z	U004	226
BB013028	GEAR:IDLER:35Z:ASS'Y	U012_S003	92
BB013036	GEAR:IDLER:25Z:ASS'Y	U012_S003	93
BB013040	GEAR:SHIFT:ROLLER:Z30	U011_S002	105
BB013051	GEAR:IDLER:31Z:ASS'Y	U012_S003	94
BB013052	GEAR:JOINT:PRESSURE:ASS'Y	U012_S003	95
BB013053	GEAR:HEAT ROLLER:TURN:19Z	U012_S003	96
BB013055	GEAR:HEAT ROLLER:TURN	U012_S003	97
C1012360	SNAP RING	U001	15

Exclusive Parts

Number	Part Name	Group	ID
C2182185	STEPPER SCREW	U016	34
		U017	44
C2363237	COLLAR 6X11.2X1.5	U007	57
C2382873	ADJUSTING SCREW	U012_S003	98
C2442454	SCREW M3X6	U013_S005	98
C2693566	BUSHING:MM8:PRESSURE:DRIVE	U004	227
D0094388	ROLLER CLUTCH	U012_S001	99
D0141248	PLATE:LEVER:DRUM STAY:LEFT	U017	45
D0142380	COMPRESSION SPRING - DRUM	U006	22
D0143241	SEAL:DISCHARGE USED TONER	U010	20
D0143242	SEAL:DISCHARGE USED TONER:LOWER	U010	21
D0143656	HOLDER:ELECTRIC POTENTIAL SENSOR	U006	24
D0143657	SHIELDING PLATE	U006	25
D0144247	HOUSING - TEMPERATURE SENSOR	U012_S003	100
D0146272	BUSHING:BRUSH:REAR	U009_S001	18
D0146458	SPRING:BLADE:NO.1	U001_S002	16
D0146626	BRACKET:ON OFF DETECTOR:FRONT	U004_S001	228
D0146627	BRACKET:ON OFF DETECTOR:REAR	U004_S001	229
D0146784	SPRING PLATE:END FENCE	U004_S005	231
D0146785	SPRING PLATE:ARM:END FENCE:LOCK	U004_S005	232
D0159500	G104 YELLOW TONER	SPECIAL TOOLS	7
D0159501	ZINC STEARATE	SPECIAL TOOLS	8
D0393368	SCREW:M3X3.5	U005_S010	55
		U005_S012	55
		U005_S014	55
		U005_S016	55
		U005_S025	55
		U005_S027	55
		U005_S029	55
		U005_S031	55
D0590761	SPRING:TANDEM TRAY:LOCK	U004	233
D0591273	DECAL:MAIN SWITCH	U005	56

Number	Part Name	Group	ID
D0592399	FLANGED HEXAGONAL HEAD BOLT:M3*4	U004	234
		U011_S002	106
D0592620	RETAINING RINGS-C	U004_S010	235
		U004_S011	235
D0596121	SPRING:CONNECTOR:TANDEM LCT	U004	236
D0596170	BRACKET:SLIDE RAIL:PAPER TRAY:2:ASS'Y	U004	237
D0596172	PAPER TRAY STOPPER	U004	238
D0596212	LEVER:PRESSURE:REVERSE	U004_S010	239
		U004_S011	239
D0596277	COVER:GEAR:PAPER FEED ROLLER	U004_S010	240
		U004_S011	240
D0596278	COVER:GEAR:REVERSE	U004_S010	241
		U004_S011	241
D0596496	GUIDE:MIDDLE:PAPER TRAY	U004	242
D0596591	SPRING:PAPER TRAY:LOCK	U004	243
D0596620	LEVER:COUPLING:LEFT	U004_S002	244
D0596659	SUPPORTING PLATE:SIDE FENCE:LEFT	U004_S002	246
D0596664	GUIDE:MIDDLE:PAPER TRAY	U004	247
D0596665	BRACKET:DC MOTOR:LEFT:ASS'Y	U004_S002	248
D0596668	SIDE PLATE:SIDE:TANDEM LCT	U004_S001	249
D0596690	PLATE:PAPER:ASS'Y	U004_S001_S001	250
D0596712	INNER COVER:TANDEM LCT	U004_S001	251
D0596721	STOPPER:PAPER TRAY	U004	252
D0596725	BRACKET:STOPPER:PAPER TRAY:RIGHT:PEEN	U004	253
D0596728	COMPRESSION SPRING:GRIP:PAPER TRAY	U004	254
D0596731	SHIELD:GUIDE:MISFEED REMOVAL	U004	255
D0626692	SLIDE RAIL:PAPER TRAY:LEFT:SUB-ASS'Y	U004	256
D0741088	SHEET:BASE:MAIN:FRONT	U019	26
D0741125	PLATE:RADIAL BALL BEARING:THRUST	U019	27
D0741141	SUPPORTING PLATE:FRAME:MAIN	U019	28

Exclusive Parts

Number	Part Name	Group	ID
D0741143	BRACKET:COUPLING	U019	29
D0741152	SLIDE RAIL:EXIT:RIGHT	U019	30
D0741154	COVER:PAPER EXIT UNIT:EXIT	U019	31
D0741173	BOSS:POSITIONING PIN:TRANSPORT UNIT:NO.2:10.3MM	U019	32
D0741179	LEVER:PULL OUT:REGISTRATION	U011_S002	107
D0741180	LEVER:PULL OUT:PAPER EXIT UNIT	U013	99
D0741194	SHAFT:LOCK:TRANSPORT UNIT	U011_S002	108
D0741195	GUIDE:LOCK:TRANSPORT UNIT	U019	33
D0741212	SUPPORTING PLATE:POSITIONING PIN:RIGHT	U013	100
D0741213	HOLDER:COIL SPRING:LOCK:PAPER EXIT UNIT	U013	101
D0741215	SHAFT:LOCK:PAPER EXIT UNIT	U013	102
D0741219	DUCT:C/T BOX:POWER SUPPLY UNIT	U017	46
D0741225	HINGE:C/T BOX:RIGHT UPPER:PEEN	U017	47
D0741228	COVER:HINGE	U017	48
D0741230	HINGE:C/T BOX:LEFT UPPER:PEEN	U017	49
D0741250	ARM:HINGE:C/T BOX	U017	50
D0741251	DUCT:EXHAUST:EXIT:ASS'Y	U017_S001	51
D0741254	SIDE PLATE:C/T BOX:LEFT	U017	52
D0741255	SEPARATION PLATE:DUCT	U017	53
D0741258	COVER:C/T BOX:RIGHT LOWER	U017_S004	54
		U017_S005	54
D0741271	SEAL:COVER:C/T BOX:UPPER	U017	55
D0741288	SIDE PLATE:C/T BOX:UPPER	U017	56
D0741369	COVER:ENCODER	U007	58
		U011_S002	109
		U015	51
D0741379	BRACKET:PLATE	U015	52
D0741382	SHAFT:DRIVE:INTERMEDIATE TRANSFER:ENCODER:ADHESION	U007	59
D0741387	SHAFT:JOINT:PAPER FEED UNIT:ASS'Y	U004_S009	257

Number	Part Name	Group	ID
D0741389	COMPRESSION SPRING:JOINT:TRANSPORT	U004	258
D0741464	SHAFT:RIGHT:DRIVE:USED TONER:ASS'Y	U015	53
D0741465	BRACKET:TENSION:DRIVE:USED TONER:ASS'Y	U015	54
D0741466	BRACKET:TIGHTENER:DRIVE:USED TONER:ASS'Y	U015	55
D0741468	BRACKET:MIDDLE:DRIVE:USED TONER:ASS'Y	U015	56
D0741470	SHAFT:LEFT:DRIVE:USED TONER:ASS'Y	U015	57
D0741473	BRACKET:TENSIONER:DRIVE UNIT:USED TONER:ASS'Y	U015	58
D0741476	HOLDER:RIGHT:DRIVE:USED TONER	U015	59
D0741484	HOLDER:LEFT:DRIVE:USED TONER	U015	60
D0741486	BRACKET:MOTOR:DRIVE:USED TONER	U015	61
D0741487	BRACKET:DRIVE UNIT:USED TONER	U015	62
D0741496	JOINT:DRIVE:USED TONER	U015	63
D0741498	BRACKET:SENSOR	U015	64
D0742020	SHIELD GLASS:ASS'Y	U003_S001	9
		U003_S002	9
		U003_S003	9
D0742172	BRACKET:SOLENOID:ON-OFF	U006	26
D0742178	TENSION SPRING:SOLENOID:ON-OFF	U006	27
D0742181	CONNECTOR:1POLE	U006	28
D0742192	SHEET:DISCHARGE LAMP	U006_S011	29
		U006_S014	29
		U006_S017	29
		U006_S020	29
		U006_S023	29
		U006_S035	29
		U006_S038	29

Exclusive Parts

Number	Part Name	Group	ID
		U006_S041	29
		U006_S044	29
D0742252	FRAME:PHOTOCONDUCTOR	U006	30
D0742272	BRACKET:TEMPERATURE & HUMIDITY SENSOR	U006	31
D0742274	BRACKET:ELECTRIC POTENTIAL SENSOR	U006	32
D0742366	LEVER:LOCK:CHARGE UNIT	U006_S011	33
		U006_S014	33
		U006_S017	33
		U006_S020	33
		U006_S023	33
		U006_S035	33
		U006_S038	33
		U006_S041	33
		U006_S044	33
D0742367	HOLDER:LOCK:CHARGE UNIT	U006_S011	34
		U006_S014	34
		U006_S017	34
		U006_S020	34
		U006_S023	34
		U006_S035	34
		U006_S038	34
		U006_S041	34
		U006_S044	34
D0742368	COMPRESSION SPRING:LOCK:CHARGE UNIT	U006_S011	35
		U006_S014	35
		U006_S017	35
		U006_S020	35
		U006_S023	35
		U006_S035	35
		U006_S038	35
		U006_S041	35
		U006_S044	35
D0742376	LEVER:LOCK:PCU	U006_S011	36
		U006_S014	36
		U006_S017	36
		U006_S020	36

Number	Part Name	Group	ID
		U006_S023	36
		U006_S035	36
		U006_S038	36
		U006_S041	36
		U006_S044	36
D0742377	TENSION SPRING:LOCK:PCU	U006_S011	37
		U006_S014	37
		U006_S017	37
		U006_S020	37
		U006_S023	37
		U006_S035	37
		U006_S038	37
		U006_S041	37
		U006_S044	37
D0742381	COMPRESSION SPRING:LOCK:CLEANING UNIT	U006_S011	38
		U006_S014	38
		U006_S017	38
		U006_S020	38
		U006_S023	38
		U006_S035	38
		U006_S038	38
		U006_S041	38
		U006_S044	38
D0742382	HOLDER:LOCK:CLEANING UNIT:FRONT	U006_S011	39
		U006_S014	39
		U006_S017	39
		U006_S020	39
		U006_S023	39
		U006_S035	39
		U006_S038	39
		U006_S041	39
		U006_S044	39
D0742383	LEVER:LOCK:CLEANING UNIT:FRONT	U006_S011	40
		U006_S014	40
		U006_S017	40
		U006_S020	40
		U006_S023	40
		U006_S035	40

Exclusive Parts

Number	Part Name	Group	ID
D0742386	HOLDER:LOCK:CLEANING UNIT:REAR	U006_S038	40
		U006_S041	40
		U006_S044	40
		U006_S011	41
		U006_S014	41
		U006_S017	41
		U006_S020	41
		U006_S023	41
		U006_S035	41
		U006_S038	41
		U006_S041	41
		U006_S044	41
D0742393	COVER:PCU:FRONT	U006_S011	42
		U006_S014	42
		U006_S017	42
		U006_S020	42
		U006_S023	42
		U006_S035	42
		U006_S038	42
		U006_S041	42
		U006_S044	42
D0742395	GROUND PLATE:PCU:ASS'Y	U006_S011	43
		U006_S014	43
		U006_S017	43
		U006_S020	43
		U006_S023	43
		U006_S035	43
		U006_S038	43
		U006_S041	43
		U006_S044	43
D0742414	TRANSPORT SCREW:BASE:ASS'Y	U006_S012	44
		U006_S015	44
		U006_S018	44
		U006_S021	44
		U006_S024	44
		U006_S036	44
		U006_S039	44
		U006_S042	44

Number	Part Name	Group	ID
D0742419	PLAIN SHAFT BEARING:TRANSPORT SCREW	U006_S045	44
		U006_S012	45
		U006_S015	45
		U006_S018	45
		U006_S021	45
		U006_S024	45
		U006_S036	45
		U006_S039	45
		U006_S042	45
		U006_S045	45
D0742424	SEAL:BLADE:CLEANING:FRONT	U006_S012	46
		U006_S015	46
		U006_S018	46
		U006_S021	46
		U006_S024	46
		U006_S036	46
		U006_S039	46
		U006_S042	46
D0742425	SEAL:BLADE:CLEANING:REAR	U006_S012	47
		U006_S015	47
		U006_S018	47
		U006_S021	47
		U006_S024	47
		U006_S036	47
		U006_S039	47
		U006_S042	47
D0742448	TRANSPORT SCREW:APPLY:ASS'Y	U006_S012	48
		U006_S015	48
		U006_S018	48
		U006_S021	48
		U006_S024	48
		U006_S036	48
		U006_S039	48
D0742459	JOINT:CLEANING UNIT	U006_S042	48
		U006_S012	49

Exclusive Parts

Number	Part Name	Group	ID
		U006_S015	49
		U006_S018	49
		U006_S021	49
		U006_S024	49
		U006_S036	49
		U006_S039	49
		U006_S042	49
		U006_S045	49
D0742477	SHEET:STAY:APPLY	U006_S012_S001	50
		U006_S015_S001	50
		U006_S018_S001	50
		U006_S021_S001	50
		U006_S024_S001	50
		U006_S036_S001	50
		U006_S039_S001	50
		U006_S042_S001	50
D0742491	COVER:TONER OUTLET SUB-UNIT :CLEANING UNIT:ASS'Y	U006_S012	51
		U006_S015	51
		U006_S018	51
		U006_S021	51
		U006_S024	51
		U006_S036	51
		U006_S039	51
		U006_S042	51
D0742497	VIBRATING PLATE:TONER OUTLE T SUB-UNIT	U006_S012	52
		U006_S015	52
		U006_S018	52
		U006_S021	52
		U006_S024	52
		U006_S036	52
		U006_S039	52
		U006_S042	52
D0742501	GEAR:21Z:RIGHT	U006_S012_S002	53
		U006_S015_S002	53
		U006_S018_S002	53

Number	Part Name	Group	ID
		U006_S021_S002	53
		U006_S024_S002	53
		U006_S036_S002	53
		U006_S039_S002	53
		U006_S042_S002	53
		U006_S045_S002	53
D0742502	GEAR:IDLER:20Z:LEFT	U006_S012_S002	54
		U006_S015_S002	54
		U006_S018_S002	54
		U006_S021_S002	54
		U006_S024_S002	54
		U006_S036_S002	54
		U006_S039_S002	54
D0742503	GEAR:IDLER:31Z:LEFT	U006_S012_S002	55
		U006_S015_S002	55
		U006_S018_S002	55
		U006_S021_S002	55
		U006_S024_S002	55
		U006_S036_S002	55
		U006_S039_S002	55
D0742540	DECAL:LOCK:CLEANING UNIT	U006_S011	56
		U006_S014	56
		U006_S017	56
		U006_S020	56
		U006_S023	56
		U006_S035	56
		U006_S038	56
D0742541	DECAL:ARROW LABEL	U006_S041	56
		U006_S044	56
		U006	57
		U006_S011	57
		U006_S014	57
		U006_S017	57
		U006_S020	57

Exclusive Parts

Number	Part Name	Group	ID
		U006_S023	57
		U006_S035	57
		U006_S038	57
		U006_S041	57
		U006_S044	57
D0742542	DECAL:GRIP	U005_S005	57
		U005_S009_S002	57
		U005_S024	57
		U006	58
		U006_S012	58
		U006_S015	58
		U006_S018	58
		U006_S021	58
		U006_S024	58
		U006_S036	58
		U006_S039	58
		U006_S042	58
		U006_S045	58
D0742544	DECAL:POSITIONING DISPLAY	U006_S011	59
		U006_S014	59
		U006_S017	59
		U006_S020	59
		U006_S023	59
		U006_S035	59
		U006_S038	59
		U006_S041	59
		U006_S044	59
D0742561	LOCK:SLIDE RAIL:PCU:RIGHT	U006	60
D0742572	STAY:SET SENSOR:PCU	U006	61
D0742575	ARM:SET SENSOR:PCU	U006	62
D0742576	HOLDER:SET SENSOR:PCU	U006	63
D0742577	CONNECTOR:DRAWER:4POLE:RE C	U006	64
D0742634	BRACKET:DC STEPPER MOTOR:M M42:REGISTRATION:ENTRANCE	U011_S002	110
D0742652	LEVER:LINK:TRANSPORT ROLLER	U011_S002	111
		U013_S002	103
D0742681	SHAFT:CAM:SHIFT	U011_S002	112

Number	Part Name	Group	ID
D0742711	TRANSPORT ROLLER:CONNECTIN G:LARGE CAPACITY TRAY	U011_S002	113
D0742715	BRACKET:SOLENOID:PEEN	U011_S002	114
D0742739	PRESSURE ROLLER:TRANSPORT ROLLER:SHIFT:DRIVEN	U011_S002	115
D0742744	HOLDER:SHIFT:BEARING:FRONT	U011_S002	116
D0742750	STAY:SOLENOID	U011_S002	117
D0742756	HOLDER:SENSOR:CONNECTING:L CT:NO.1	U011_S002	118
D0742757	HOLDER:SENSOR:CONNECTING:L CT:NO.2	U011_S002	119
D0742769	BRACKET:DC STEPPER MOTOR:R EGISTRATION ROLLER:TIMING	U011_S002	120
D0742771	SHAFT:REGISTRATION ROLLER:TI MING:DRIVEN	U011_S002	121
D0742773	FIX STAND:GUIDE PLATE:TIMING:T RANSFER:EXIT	U011_S002	122
D0742797	STAY:CONNECTION:LARGE CAPA CITY TRAY	U011	123
D0742799	GUIDE PLATE:CONNECTION:LCT:L OWER	U011	124
D0742809	COVER:HARNESS:PAPER FEED U NIT:FRONT	U011_S002	125
D0742818	FIX STAND:GUIDE PLATE:REAR	U011_S002	126
D0742864	GUIDE PLATE:DUPLEX:RIGHT:UPP ER	U011_S002	127
D0742873	GUIDE PLATE:PULL OUT:RIGHT:V ERTICAL TRANSPORT	U011_S002	128
D0742876	SHAFT:LOCK:GUIDE PLATE	U011_S002	129
D0742881	TRANSPORT ROLLER:REGISTRATI ON:ENTRANCE:DRIVE:PRESS FIT	U011_S002	130
D0742882	TRANSPORT ROLLER:DUPLEX:RI GHT:NO.1:PRESS FIT	U011_S002	131
D0742896	HOLDER:DC SOLENOID:VERTICAL TRANSPORT:UPPER	U011_S002	132
D0742899	HOLDER:DC SOLENOID:VERTICAL TRANSPORT:LOWER:PEEN	U011_S002	133
D0742908	BRACKET:DC STEPPER MOTOR:D	U011_S002	134

Exclusive Parts

Number	Part Name	Group	ID
	UPLEX:RIGHT		
D0742912	BRACKET:SENSOR:DUPLEX:SHORT	U011_S002	135
D0742924	COVER:HARNESS	U011_S002	136
D0742926	BRACKET:SENSOR:VERTICAL TRANSPORT:NO.2	U011_S002	137
D0742929	BRACKET:SENSOR:VERTICAL TRANSPORT:NO.3	U011_S002	138
D0742930	SHAFT:LINK:ON-OFF:VERTICAL TRANSPORT:LOWER	U011_S002	139
D0742931	SHAFT:LINK:ON-OFF:VERTICAL TRANSPORT:UPPER	U011_S002	140
D0742934	SHAFT:ON-OFF:LARGE CAPACITY TRAY:CONNECTING	U011_S002	141
D0742935	GUIDE:DUPLEX:OPEN AND CLOSE:RIGHT:LOWER	U011_S002	142
D0742938	GUIDE PLATE:CONNECTION:LARGE CAPACITY TRAY:UPPER:PEEN	U011	143
D0742941	TIMING PULLEY:S2M:30T	U011_S002 U013	144 104
D0742942	PIN:GUIDE PLATE:CONNECTION:LARGE CAPACITY TRAY:UPPER	U011	145
D0742962	BRACKET:MISFEED REMOVAL:TIMING ROLLER:TRANSFER	U011_S002	146
D0742964	STAY:REGISTRATION:RIGHT UPPER	U011_S002	147
D0742965	HOLDER:PRESSURE:DRIVEN ROLLER:DUPLEX:EXIT	U011_S002	148
D0742969	SHAFT:MISFEED REMOVAL:TIMING ROLLER:TRANSFER	U011_S002	149
D0742970	CAM:GUIDE PLATE:OPEN AND CLOSE	U011_S002	150
D0742971	PLATE:LINK:OPEN AND CLOSE:REAR	U011_S002	151
D0742972	LEVER:GUIDE PLATE:OPEN AND CLOSE:FRONT	U011_S002	152
D0742974	STOPPER:LEVER:TRANSPORT UNIT:LEFT	U011_S002	153

Number	Part Name	Group	ID
D0742975	STOPPER:GUIDE PLATE:CONNECTING:LARGE CAPACITY TRAY	U011_S002	154
D0742977	COVER:HARNESS:FRONT UPPER	U011_S002	155
D0742979	LEVER:GUIDE PLATE	U011_S002_S004	156
D0742988	DECAL:PULL OUT:RIGHT:B7	U011_S002	157
D0742990	DECAL:PULL OUT:RIGHT:Z4	U011_S002_S004	158
D0743033	GUIDE PLATE:CONNECTING	U011	159
D0743038	BRACKET:DUPLEX:EXIT	U011	160
D0743039	GUIDE PLATE:DUPLEX:EXIT	U011	161
D0743047	BRACKET:HOLDER:DUPLEX:ASS'Y	U011 U013	162 105
D0743173	TIMING PULLEY:S2M:25T	U004 U011_S002 U013	259 163 106
D0743321	PLATE:FILTER	U006_S011 U006_S014 U006_S017 U006_S020 U006_S023 U006_S035 U006_S038 U006_S041 U006_S044	65 65 65 65 65 65 65 65 65
D0743330	ENTRANCE SEAL:DEVELOPMENT:ASS'Y	U006_S011 U006_S014 U006_S017 U006_S020 U006_S023 U006_S035 U006_S038 U006_S041 U006_S044	66 66 66 66 66 66 66 66 66
D0743352	SEAL:GUIDE:TONER SUPPLY:UPPER	U006_S011_S001 U006_S014_S001 U006_S017_S001 U006_S020_S001 U006_S023_S001 U006_S035_S001	67 67 67 67 67 67

Exclusive Parts

Number	Part Name	Group	ID
		U006_S038_S001	67
		U006_S041_S001	67
		U006_S044_S001	67
D0743362	ELECTRODE PLATE:DEVELOPMENT BIAS:FRONT	U006_S011	68
		U006_S014	68
		U006_S017	68
		U006_S020	68
		U006_S023	68
		U006_S035	68
		U006_S038	68
		U006_S041	68
		U006_S044	68
D0743367	ELECTRODE PLATE:DEVELOPMENT BIAS:REAR UPPER	U006_S011	69
		U006_S014	69
		U006_S017	69
		U006_S020	69
		U006_S023	69
		U006_S035	69
		U006_S038	69
		U006_S041	69
		U006_S044	69
D0743368	ELECTRODE PLATE:DEVELOPMENT BIAS:REAR LOWER	U006_S011	70
		U006_S014	70
		U006_S017	70
		U006_S020	70
		U006_S023	70
		U006_S035	70
		U006_S038	70
		U006_S041	70
		U006_S044	70
D0743440	COVER:INSERT:DEVELOPER	U006_S011	71
		U006_S014	71
		U006_S017	71
		U006_S020	71
		U006_S023	71
		U006_S035	71
		U006_S038	71
		U006_S041	71

Number	Part Name	Group	ID
		U006_S044	71
D0743446	RECEPTACLE:DEVELOPMENT BIAS:ASS'Y	U006_S005	72
		U006_S006	72
		U006_S007	72
		U006_S008	72
		U006_S009	72
		U006_S029	72
		U006_S030	72
		U006_S031	72
		U006_S032	72
		U006_S033	72
D0743490	FUNNEL:DEVELOPER	U004	260
D0743547	GEAR:DRIVE:TONER SUPPLY UNIT	U005	58
D0743548	GEAR:IDLER:TRANSPORT SCREW: LARGE	U005	59
D0743703	(Pro C7200SX/C7210SX/C7200X/C7210X):GEAR:TONER BOTTLE:DIA92	U005_S018	60
D0743708	(Pro C7200SX/C7210SX/C7200X/C7210X):SPRING LOCK WASHER:DRIVE SUB-UNIT:TONER BOTTLE	U005_S018	61
D0743721	(Pro C7200SX/C7210SX/C7200X/C7210X):JOINT:DRIVE:TONER SUPPLY UNIT	U005_S018	62
D0743736	(Pro C7200SX/C7210SX/C7200X/C7210X):SEAL:NOZZLE:NOZZLE COVER	U005	63
D0743741	(Pro C7200SX/C7210SX/C7200X/C7210X):STOPPER:SHUTTER:TONER CARTRIDGE:TYPE A	U005	64
D0743742	(Pro C7200SX/C7210SX/C7200X/C7210X):HOLDER:STOPPER:SHUTTER:TYPE A	U005	65
D0743743	(Pro C7200SX/C7210SX/C7200X/C7210X):SPRING PLATE:STOPPER:SHUTTER:TYPE B	U005	66
D0743745	(Pro C7200SX/C7210SX/C7200X/C7210X):SEAL:HOLDER:STOPPER:RI	U005	67

Exclusive Parts

Number	Part Name	Group	ID
	GHT		
D0743746	(Pro C7200SX/C7210SX/C7200X/C7210X):SEAL:HOLDER:STOPPER:LE FT	U005	68
D0743756	SEAL:BLOCK LIGHT:LEVER	U005	69
		U005_S001	69
		U005_S033	69
D0743757	MAGNET CATCH PLEET:TONER S UPPLY SUB-UNIT:UPPER	U005_S002	70
		U005_S034	70
D0743763	(Pro C7200SX/C7210SX/C7200X/C7210X):NOZZLE COVER:TONER SU PPLY SUB-UNIT	U005	71
D0743766	(Pro C7200SX/C7210SX/C7200X/C7210X):PLATE:COIL SPRING	U005	72
D0743768	(Pro C7200SX/C7210SX/C7200X/C7210X):TENSION SPRING:SHUTTER :TONER SUPPLY UNIT	U005	73
D0743808	CASE:TENSION:ROLLER:ASS'Y	U007_S001	60
D0743819	PLATE:ROLLER:TENSION	U007_S001	222
D0743822	ROLLER:OPPOSED:BELT CLEANIN G:PRESS FIT	U007	61
D0743824	PLATE:ROLLER:INTERMEDIATE T RANSFER	U007	62
D0743829	DECAL:POSITIONING DISPLAY:TC RU	U005	74
		U006_S011	73
		U006_S014	73
		U006_S017	73
		U006_S020	73
		U006_S023	73
		U006_S035	73
		U006_S038	73
		U006_S041	73
		U006_S044	73
		U007	63
D0743830	DECAL:OPERATE:LEVER:INTERME DIATE TRANSFER	U007	64
D0743831	PLATE:UPPER:POSITIONING SENS OR:INTERMEDIATE TRANSFER:AS	U007	65

Number	Part Name	Group	ID
	S'Y		
D0743841	SEAL:RIGHT:INTERMEDIATE TRAN SFER	U007	66
D0743842	COVER:HARNESS:SECOND:INTER MEDIATE TRANSFER	U007	67
D0743845	FLAT NUT:INNER COVER:INTERM EDIATE TRANSFER	U007	68
D0743846	INNER COVER:BELT CLEANING	U007	69
D0743853	PLATE:FRAME:INTERMEDIATE TR ANSFER	U007	70
D0743863	SHAFT:DRIVEN:FLAT CONVEYER BELT	U011_S001	165
D0743871	STOPPER:WIRE:PULLEY	U007	71
D0743872	PULLEY:DRIVE WERE:ASS'Y	U007	72
D0743873	FEELER:DRIVE WERE	U007	73
D0743874	BRACKET:POSITIONING CONTROL :DRIVEN ROLLER:INNER BACK:AS S'Y	U007	74
D0743878	HOLDER:RADIAL BALL BEARING:D RIVEN ROLLER:INNER BACK	U007	75
D0743887	BRACKET:ON-OFF:TRANSFER RO LLER	U007	76
D0743892	LEVER:POSITIONING SENSOR:FLA T BELT-TRANSFER	U007	77
D0743896	COVER:POSITIONING SENSOR:FL AT BELT-TRANSFER	U007	78
D0743899	LEVER:POSITIONING SENSOR:SLA CK PREVENTION	U007	79
D0744009	HOLDER:M5	U012_S003	101
D0744016	LEVER:WEB:ASS'Y	U012_S003	102
D0744063	HOUSING:THERMOSTAT:ASS'Y	U012_S003	105
D0744064	COVER:THERMOSTAT:PRESSURE	U012_S003	106
D0744072	STEPPED SCREW:M5	U012_S003	107
D0744090	DUCT:PRESSURE:EXIT:CONNECTI NG:A	U012_S003	108
D0744091	DUCT:PRESSURE:EXIT:CONNECTI NG:B	U012_S003	109
D0744092	DUCT:PRESSURE:EXIT	U012_S003	110

Exclusive Parts

Number	Part Name	Group	ID
D0744096	TERMINAL:CONNECTING	U012_S003	111
D0744097	TAB:TERMINAL:CONNECTING	U012_S003	112
D0744098	COVER:TERMINAL:CONNECTING	U012_S003	113
D0744100	COVER:BASE:ID	U012_S003	114
D0744102	COLLAR:DIA10X:DIA14X:12	U012_S003	115
D0744107	COLLAR:DIA10XDIA14X9.4	U012_S003	116
D0744123	LEVER:STRIPPER PLATE:PLATE	U012_S003_S003	117
D0744138	COLLAR:DIA5XDIA7X10	U012_S003_S003	118
D0744139	LEVER:STRIPPER PLATE:PRESSURE	U012_S003_S003	119
D0744144	LEVER:PAPER EXIT UNIT:FRONT	U012_S003_S003	120
D0744183	TAB:TERMINAL:187:2P:UPPER	U012_S003	121
D0744225	KNOB:FUSING	U020_S001	16
		U020_S006	16
		U020_S011	16
		U020_S016	16
D0744227	BOLT:M5:ROUND POINT	U012_S003	122
D0744235	SUPPORTING PLATE:GUIDE PLATE:FUSING EXIT:LOWER	U012_S003	123
D0744265	BRACKET:DRAWER:LOWER	U012_S003	124
D0744266	CLAMP:HARNESS:PRESSURE:HEATER:REAR	U012_S003	125
D0744269	PIN:HANDLE:COVER	U012_S003	126
D0744303	FEELER:CLEANING	U012_S001	127
D0744304	SHAFT:WORM GEAR:SUB-ASSY	U012_S001	128
D0744325	COVER:WEB:CLEANING FELT	U012_S001_S001	129
D0744350	BRACKET:DRAWER:FUSING SECTION:24	U012	131
D0744351	STEPPED SCREW:DIA5.4DIA:DIA3.5:M3	U012	132
		U013	107
		U019	34
D0744352	JOINT:GEAR:WEB:DRIVE	U012	133
D0744353	COVER:GEAR:JOINT	U012	134
D0744354	GEAR:SLOW DOWN:WORM GEAR	U012	135
D0744356	BRACKET:LEVER:WEB:DRIVE SUB-UNIT	U012	136
D0744364	BRACKET:WEB:CLEANING	U012	137
D0744371	GRIP:SLIDER:FUSING	U012	138

Number	Part Name	Group	ID
D0744380	DECAL:H-TEMP WARNING:FUSING:WEB	U012_S001_S001	139
D0744390	ACCESSORY:KNOB:FUSING:ASSY	U020_S001	17
		U020_S006	17
		U020_S011	17
		U020_S016	17
D0744391	HOLDER:KNOB:FUSING:DUAL FAC ES TEPE	U020_S001	18
		U020_S006	18
		U020_S011	18
		U020_S016	18
D0744399	DUCT:PRESSURE:CONNECTING:BACK	U012	142
D0744519	COVER:HARNESS:SWITCHBACK:LEFT LOWER	U013	108
D0744528	BRACKET:SENSOR:EXIT:EXIT	U013	109
D0744529	COVER:PAPER EXIT SUB-UNIT:EXIT	U019	35
D0744552	DECAL:PULL OUT:LEFT:Z3	U013_S003	110
D0744555	DECAL:PULL OUT:LEFT:D4	U013	111
D0744556	DECAL:PULL OUT:LEFT:D5	U013	112
D0744559	DECAL:RECEIVING SUB-UNIT:EXIT	U014	18
D0744564	BRACKET:REVERSE:SENSOR	U013	244
D0744567	SHAFT:LOCK:REVERSE	U013	113
D0744568	SHAFT:CONTACT POINT:FRAME:LEFT LOWER	U013	270
D0744570	GUIDE:REVERSE:LOWER	U013	114
D0744577	GATE PAWL:SWITCHBACK	U013	115
D0744581	BRACKET:LEVER:REVERSE	U013	116
D0744625	COVER:REVERSE UNIT:LEFT LOWER	U013	117
D0744682	PAPER EXIT SUB-UNIT:EXIT:MAIN	U013	118
D0744683	JOINT:EXIT:DRIVE	U011_S002	166
D0744690	PIN:PLATE	U013	119
D0744693	PLATE:PIN:LEFT LOWER:PEEN	U013	120
D0744698	LEVER:LOCK:GUIDE PLATE	U013	121
D0744710	KNOB:TRANSPORT ROLLER:AUXILIARY:PRESS FIT	U013	122
D0744806	PLATE:OPEN AND CLOSE:DUPLEX:RIGHT LOWER	U013	123

Exclusive Parts

Number	Part Name	Group	ID
D0744826	GRIP:DUPLEX:GUIDE PLATE:LEFT	U013_S003	124
D0744853	INNER COVER:RECEIVING SUB-UNIT:LEFT LOWER	U014	19
D0744854	INNER COVER:RECEIVING SUB-UNIT:LEFT LOWER:LED	U004	261
D0744857	GUIDE PLATE:RECEIVING SUB-UNIT:LEFT LOWER:LEFT	U014	20
D0744865	BRACKET:SENSOR:RECEIVING SUB-UNIT:LEFT LOWER	U014	21
D0744871	GUIDE PLATE:TRANSPORT ROLLER:DUPLEX:REVERSE	U014	22
D0744881	GUIDE PLATE:PRESSURE ROLLER:DUPLEX:REVERSE	U014	23
D0744885	GUIDE PLATE:PRESSURE ROLLER:DUPLEX:REVERSE:LEFT	U014	24
D0745870	DUCT:AUXILIARY:POWER SUPPLY UNIT	U017	57
D0745916	SPRING PLATE:SAFETY SWITCH	U016	35
D0745917	ARM:SAFETY SWITCH	U016	36
D0745920	BRACKET:MAIN SWITCH	U016	37
D0746066	ROLLER:DRIVEN:INTERMEDIATE TRANSFER:NO.2:ASS'Y	U007	80
D0746074	TENSION SPRING:SLEEVE:WIRE:INTERMEDIATE TRANSFER	U007	81
D0746075	GRIP:INTERMEDIATE TRANSFER:LEFT	U007	82
D0746078	COMPRESSION SPRING:DRAWER:INTERMEDIATE TRANSFER	U013 U019	125 36
D0746092	BRACKET:HEATER:INTERMEDIATE TRANSFER	U007	83
D0746097	THERMOSTAT:INTERMEDIATE TRANSFER	U007	84
D0746109	PLATE:BLADE:BELT CLEANING	U007	85
D0746121	BRACKET:SENSOR:ON-OFF:TRANSFER ROLLER	U007	86
D0746125	FEELER:ON-OFF:INTERMEDIATE TRANSFER:BLACK	U007	87
D0746130	SPRING PLATE:EARTH:INTERMEDIATE	U007	88

Number	Part Name	Group	ID
	ATE TRANSFER:ASS'Y		
D0746134	PLAIN SHAFT BEARING:INSULATE	U007	89
D0746142	CAM:INTERMEDIATE TRANSFER:BLOCK	U007	90
D0746146	BRACKET:BIAS:INTERMEDIATE TRANSFER	U007	93
D0746147	TERMINAL:INTERMEDIATE TRANSFER	U007	94
D0746148	SHAFT:CAM:INTERMEDIATE TRANSFER:COLLAR	U007	95
D0746149	CAM:INTERMEDIATE TRANSFER:COLLAR	U007	96
D0746153	SLIDE RAIL:ON-OFF:INTERMEDIATE TRANSFER:FRONT:ASS'Y	U007	97
D0746155	SLIDE RAIL:ON-OFF:INTERMEDIATE TRANSFER:REAR:ASS'Y	U007	98
D0746161	COVER:BIAS:INTERMEDIATE TRANSFER	U007	99
D0746162	TIMING PULLEY:CAM:ON-OFF:INTERMEDIATE TRANSFER	U007	100
D0746163	GEAR:TIMING PULLEY:IDLER:INTERMEDIATE TRANSFER	U007	101
D0746165	PULLEY:ON-OFF:BELT TENSIONER	U007	103
D0746168	TIGHTENER:INTERMEDIATE TRANSFER:ASS'Y	U007	104
D0746169	ROLLER:FRONT:INTERMEDIATE TRANSFER:LEFT	U007	105
D0746170	COIL SPRING:PRESSURE:TIGHTENER	U007	106
D0746171	GUIDE PLATE:COIL SPRING:PRESSURE:TIGHTENER	U007	107
D0746172	COLLAR:ON-OFF:INTERMEDIATE TRANSFER	U007	108
D0746175	PLAIN SHAFT BEARING:SLIDE RAIL:ON-OFF	U007	109
D0746179	GEAR:IDLER:INTERMEDIATE TRANSFER:Z17:Z53	U007	110

Exclusive Parts

Number	Part Name	Group	ID
D0746180	COMPRESSION SPRING:BIAS:INTERMEDIATE TRANSFER	U007	111
D0746197	TERMINAL:CONNECTING:BIAS:INTERMEDIATE TRANSFER	U007	112
D0746212	SEAL:TRANSFER ROLLER:REAR	U009_S001	44
D0746213	SEAL:TRANSFER ROLLER:FRONT	U009_S001	45
D0746216	SHUTTER:TONER OUTLET SUB-UNIT:SUB-ASS'Y	U009_S001	19
D0746219	COIL SPRING:SHUTTER:DISCHARGE USED TONER	U009_S001	20
D0746228	ELECTRODE PLATE:FRAME	U009_S001	21
D0746230	CASE:TERMINAL:SEPARATION:ASS'Y	U011_S002_S005	167
D0746238	JOINT:TRANSFER:DRIVE	U011_S002	168
D0746240	SHAFT:CONTACT POINT:T/S UNIT	U011_S002	169
D0746241	DECAL:GRIP:TRANSFER/SEPARATION UNIT	U009_S001	22
D0746242	DECAL:LEVER:TRANSFER/SEPARATION UNIT:FRONT	U011_S002	170
D0746243	DECAL:LEVER:TRANSFER/SEPARATION UNIT:REAR	U011_S002	171
D0746255	BRUSH ROLLER:TRANSFER ROLLER:ASS'Y	U009_S001	23
D0746265	BLADE:TRANSFER ROLLER:ASS'Y	U009_S001	24
D0746270	HOLDER:BLADE:ASS'Y	U009_S001	25
D0746273	SEAL:HOLDER	U009_S001	26
D0746274	SEAL:HOLDER:UPPER	U009_S001	27
D0746276	PIN:POSITIONING PLATE:BLADE:TRANSFER ROLLER:ASS'Y	U009_S001	28
D0746279	COIL SPRING:BLADE:TRANSFER ROLLER	U009_S001	29
D0746280	GUIDE PLATE:ENTRANCE:TRANSFER ROLLER:ASS'Y	U009_S001	30
D0746291	COIL SPRING:COATING BAR	U009_S001	31
D0746294	TRANSPORT SCREW:TRANSFER ROLLER:ASS'Y	U009_S001	32
D0746311	GEAR:TRANSFER ROLLER	U009_S001	33
D0746312	GEAR:IDLER:TRANSFER ROLLER	U009_S001	34

Number	Part Name	Group	ID
D0746313	GEAR:IDLER:COLLECTION COIL	U009_S001	35
D0746314	GEAR:COLLECTION COIL	U009_S001	36
D0746315	GEAR:BRUSH:APPLY	U009_S001	37
D0746324	GEAR:DRIVE:TRANSFER/SEPARATION UNIT	U011_S002	172
D0746330	LEVER:PRESSURE:T/S UNIT:FRONT	U011_S002	173
D0746333	SHAFT:LEVER:PRESSURE:TRANSFER ROLLER	U011_S002	174
D0746334	COIL SPRING:PRESSURE:TRANSFER ROLLER	U011_S002	175
D0746335	SHAFT:CAM:TRANSFER/SEPARATION UNIT	U011_S002	176
D0746336	CAM:TRANSFER/SEPARATION UNIT	U011_S002	177
D0746337	LEVER:PRESSURE:T/S UNIT:REAR	U011_S002	178
D0746338	PIN:LEVER:PRESSURE:TRANSFER ROLLER	U011_S002	179
D0746340	LINK:HANDLE	U011_S002	180
D0746343	LINK:HANDLE:MIDDLE	U011_S002	181
D0746349	BRACKET:SHAFT:CONTACT POINT:TRANSFER ROLLER	U011_S002	182
D0746379	ROLLER:TENSION:ASS'Y	U007_S001	237
D0746397	COIL SPRING:TENSION:ROLLER	U007_S001	113
D0746410	GROUND PLATE:BELT CLEANING	U008_S001	12
D0746411	COIL SPRING:EARTH:BELT CLEANING	U008_S001	13
D0746413	SCRAPER:BRUSH:REMOVE PAPER DUST:ASS'Y	U008_S001_S001	14
D0746416	SEAL:ENTRANCE SEAL:BELT CLEANING	U008_S001_S001	15
D0746417	SEAL:SCRAPER	U008_S001_S001	16
D0746420	BRUSH:REMOVE PAPER DUST:BELT CLEANING	U008_S001	17
D0746424	BLADE:CLEANING:BELT CLEANING:ASS'Y	U008_S001	18
D0746428	HOLDER:CLEANING:BELT CLEANING:ASS'Y	U008_S001	19

Exclusive Parts

Number	Part Name	Group	ID
D0746431	COIL SPRING:BLADE:CLEANING:BELT CLEANING	U008_S001	20
D0746434	TONER COLLECTION COIL:BELT CLEANING:ASS'Y	U008_S001	21
D0746439	PLAIN SHAFT BEARING:REMOVE PAPER DUST:TRANSPORT SCREW	U008_S001	22
D0746440	GUIDE:DISCHARGE USED TONER:BELT CLEANING	U008_S001	23
D0746441	SHUTTER:TRANSPORT SCREW:BELT CLEANING	U008_S001	24
D0746442	COIL SPRING:DISCHARGE USED TONER	U008_S001	25
D0746443	SEAL:DISCHARGE USED TONER	U008_S001	26
D0746446	BRUSH:APPLY:BELT CLEANING	U008_S001	27
D0746450	COATING BAR:ASS'Y	U008_S001_S002	28
D0746454	ARM:COATING BAR:BELT CLEANING	U008_S001_S002	29
D0746455	COIL SPRING:COATING BAR	U008_S001_S002	30
D0746457	BLADE:APPLY:ASS'Y	U008_S001	31
D0746461	HOLDER:APPLY:BELT CLEANING:ASS'Y	U008_S001	32
D0746464	COIL SPRING:BLADE:APPLY:BELT CLEANING	U008_S001	33
D0746467	COIL SPRING:STOPPER:CASE:BELT CLEANING	U008_S001	34
D0746468	STOPPER:CASE:BELT CLEANING	U008_S001	35
D0746469	SLIDE RAIL:UPPER:BELT CLEANING	U008_S001	36
D0746470	RELEASE PLATE:BLADE:CLEANING	U008_S001	37
D0746471	RELEASE PLATE:BLADE:APPLY	U008_S001	38
D0746477	GEAR:BRUSH:REMOVE PAPER DUST:Z17	U008_S001	39
D0746478	GEAR:PULLEY:IDLER:BELT CLEANING	U008_S001	40
D0746479	GEAR:COLLECT:COIL:Z19	U008_S001	41
D0746480	PULLEY:BRUSH:APPLY:Z30	U008_S001	42
D0746481	JOINT:BRUSH:REMOVE PAPER DUST	U008_S001	43

Number	Part Name	Group	ID
	ST:BELT CLEANING		
D0746485	SEAL:CASE:BRUSH:FRONT	U008_S001	44
D0746486	SEAL:CASE:BRUSH:REAR	U008_S001	45
D0746488	SEAL:HOLDER:BEHIND:BELT CLEANING	U008_S001	46
D0746489	VIBRATING PLATE:TRANSPORT SCREW:BELT CLEANING	U008_S001	47
D0746490	SEAL:BASE:CASE:BELT CLEANING	U008_S001	48
D0746491	SEAL:CASE:CLEANING BLADE:FRONT	U008_S001	49
D0746492	SEAL:CASE:CLEANING BLADE:REAR	U008_S001	50
D0746495	LEVER:RELEASE:BLADE	U008_S001	51
D0746496	GRIP:BELT CLEANING	U008_S001	52
D0746497	DECAL:POSITIONING DISPLAY:TCRU	U004_S001	262
		U005_S005	75
		U005_S009_S002	75
		U005_S024	75
		U008_S001	53
		U011_S002	183
D0746511	PLAIN SHAFT BEARING:TONER RECYCLING SUB-UNIT	U010_S001	22
		U010_S002	22
		U010_S005	22
		U010_S007	22
D0746512	GEAR:Z35:TRANSPORT SCREW:PCU:MAIN	U010_S001	23
		U010_S007	23
D0746514	SEAL:TONER OUTLET SUB-UNIT:PCU	U010_S001	24
		U010_S007	24
D0746517	STEEL BALL:TONER OUTLET SUB-UNIT	U010_S001	25
		U010_S002	25
		U010_S007	25
D0746520	COVER:DISCHARGE USED TONER:DEVELOPMENT	U010	26
D0746531	TONER OUTLET SUB-UNIT:BELT CLEANING:MAIN:ASS'Y	U010_S002	27
D0746534	TRANSPORT SCREW:BELT CLEANING:MAIN:ASS'Y	U010_S002	28
D0746539	GEAR:Z29:TRANSPORT SCREW:BELT CLEANING	U010_S002	29

Exclusive Parts

Number	Part Name	Group	ID
	ELT CLEANING		
D0746540	SEAL:BELT CLEANING:MAIN	U010_S002	30
D0746541	SEAL:RING:TONER OUTLET SUB-UNIT:BELT CLEANING	U010_S002	31
D0746551	TONER OUTLET SUB-UNIT:VERTICAL TRANSPORT:ASS'Y	U010_S003	32
D0746564	TONER OUTLET SUB-UNIT:T/S UNIT:SHUTTER:OUTER	U010_S003	33
D0746565	TONER OUTLET SUB-UNIT:T/S UNIT:SHUTTER:INNER	U010_S003	34
D0746566	SEAL:VERTICAL TRANSPORT:LOWER	U010_S003	35
D0746567	SEAL:VERTICAL TRANSPORT:UPPER	U010_S003	36
D0746572	BRACKET:VERTICAL TRANSPORT:ASS'Y	U010	37
D0746574	COVER:CAM:VERTICAL TRANSPORT	U010	38
D0746575	SHAFT:CAM:VERTICAL TRANSPORT	U010	39
D0746577	CAM:VERTICAL TRANSPORT:DIA15	U010	40
D0746578	GEAR:Z37:CAM:VERTICAL TRANSPORT	U010	41
D0746579	SEAL:COVER:CAM:VERTICAL TRANSPORT	U010	42
D0746585	GEAR:Z38/Z24:VERTICAL TRANSPORT	U010	43
D0746586	GEAR:Z35:IDLER:VERTICAL TRANSPORT	U010	44
D0746590	COLLECTION BOTTLE:ASS'Y	U010_S004	45
D0746601	TONER OUTLET SUB-UNIT:LOWER:ASS'Y	U010_S005	46
D0746604	TRANSPORT SCREW:TONER OUTLET SUB-UNIT:LOWER:ASS'Y	U010_S005	47
D0746609	GEAR:Z23:TRANSPORT SCREW:LOWER	U010_S005	48
D0746610	SEAL:RING:TONER OUTLET SUB-UNIT	U010_S005	49

Number	Part Name	Group	ID
	NIT:LOWER		
D0746626	INNER COVER:TONER RECYCLING SUB-UNIT	U010	50
D0746627	COLLECTION BOTTLE:SMALL:ASS'Y	U010_S006	51
D0746629	COVER:COLLECTION BOTTLE:SMALL	U010_S006	52
D0746630	PIPE:COLLECTION BOTTLE:SMALL	U010_S006	53
D0746631	SHUTTER:TONER RECYCLING SUB-UNIT:SMALL	U010_S006	54
D0746632	COMPRESSION SPRING:SHUTTER:SMALL	U010_S006	55
D0746633	COVER:BEARING:SMALL	U010_S006	56
D0746634	AGITATOR:SMALL	U010_S006	57
D0746635	TRANSPORT SCREW:SMALL:ASS'Y	U010_S006	58
D0746640	PLAIN SHAFT BEARING:TRANSPORT SCREW:SMALL	U010_S006	59
D0746641	PLAIN SHAFT BEARING:SMALL:GEAR	U010_S006	60
D0746642	PLAIN SHAFT BEARING:SMALL	U010_S006	61
D0746643	GEAR:TRANSPORT SCREW:COLLECTION BOTTLE:SMALL:Z31	U010_S006	62
D0746644	GEAR:AGITATOR:COLLECTION BOTTLE:SMALL:Z49/Z41	U010_S006	63
D0746645	GEAR:AGITATOR:COLLECTION BOTTLE:SMALL:Z41	U010_S006	64
D0746646	SEAL:TONER RECYCLING SUB-UNIT:SMALL	U010_S006	65
D0746647	BRACKET:PUSH SWITCH	U010	66
D0746648	LINK:PUSH SWITCH:TONER RECYCLING SUB-UNIT	U010	67
D0746659	SHAFT:JOINT:COLLECTION BOTTLE:ASS'Y	U010	68
D0746663	TORQUE LIMITER MECHANICAL CLUTCH:GEAR:Z63	U010	69
D0746664	GEAR:IDLER:Z49/Z27	U010	70
D0746665	GEAR:JOINT:COLLECTION BOTTLE	U010	71

Exclusive Parts

Number	Part Name	Group	ID
	E:Z65		
D0746666	GEAR:IDLER:Z37/Z28	U010	72
D0746667	HOLDER:RADIAL BALL BEARING:JOINT	U010	73
D0746668	SEAL:PIPE:TONER RECYCLING SUB-UNIT:SMALL	U010_S006	74
D0746669	SPRING PLATE:PUSH SWITCH	U010	75
D0746684	SEAL:TANK:USED TONER:COLLECTOR	U010_S004	76
D0746697	DECAL:COLLECTION BOTTLE:GRIP:FRONT	U010_S004	77
D0746932	DUCT:HEAT PIPE:FUSING:UPPER	U018	42
D0746933	SEAL:DUCT:HEAT PIPE:FUSING:UPPER	U018	43
D0746935	SEAL:DUCT:HEAT PIPE:FUSING	U018	44
D0746940	DUCT:UPPER:HEAT SINKER	U018	45
D0746943	SEAL:LONG:DUCT:HEAT SINKER	U018	46
D0746962	DUCT:UPPER:EXHAUST:HEAT SINKER	U018	47
D0746963	DUCT:LOWER:EXHAUST:HEAT SINKER	U018	48
D0746964	BRACKET:FAN:DUCT:EXHAUST:HEAT SINKER	U018	49
D0746965	BRACKET:DUCT:EXHAUST:HEAT SINKER	U018	50
D0746967	DUCT:UPPER:FUSING:EXIT	U018	51
D0746968	DUCT:LOWER:FUSING:EXIT	U018	52
D0746969	SEAL:LONG:DUCT:FUSING:EXIT	U018	53
D0746970	SEAL:SHORT:DUCT:FUSING:EXIT	U018	54
D0746972	SEAL:DUCT:EXHAUST:HEAT SINKER	U018	55
D0746974	CAP:LOUVER:MM90	U017_S004	58
D0746975	FILTER:POWER SUPPLY UNIT:MM90	U017_S004	59
D0746977	DUCT:RIGHT:EXIT:EXHAUST	U018	56
D0746978	DUCT:LEFT:EXIT:EXHAUST	U018	57
D0746979	SEAL:DUCT:EXIT:CONNECTING	U018	58
D0746987	DUCT:UPPER:FUSING:EXIT:EXHAUST	U018	59

Number	Part Name	Group	ID
	UST		
D0746988	DUCT:LOWER:FUSING:EXIT:EXHAUST:UST	U018	60
D0747012	DUCT:UPPER:EXHAUST:DEVELOPMENT UNIT	U018	61
D0747013	DUCT:LOWER:EXHAUST:DEVELOPMENT UNIT	U018	62
D0747014	SEAL:VACUUM:DUCT:EXHAUST:DEVELOPMENT UNIT	U018	63
D0747015	SEAL:EXIT:DUCT:EXHAUST:DEVELOPMENT UNIT	U018	64
D0747017	DUCT:CONNECTING:EXHAUST:DEVELOPMENT UNIT	U018	65
D0747028	SEAL:CONNECTING:ENTRANCE	U018	66
D0747077	DUCT:FRONT:COOLING:PRESSURE ROLLER:PULL OUT	U018	67
D0747078	DUCT:INNER BACK:COOLING:PRESSURE ROLLER:PULL OUT	U018	68
D0747080	SEAL:DUCT:COOLING:PRESSURE ROLLER:PULL OUT	U018	69
D0747082	DUCT:RIGHT:COOLING:INTERMEDIATE TRANSFER:PULL OUT	U018	70
D0747083	DUCT:LEFT:COOLING:INTERMEDIATE TRANSFER:PULL OUT	U018	71
D0747086	SEAL:VACUUM:COOLING:INTERMEDIATE TRANSFER:PULL OUT	U018	72
D0747087	SEAL:DC FAN MOTOR:SIROCCO	U018	73
D0747089	SEAL:JOINT:DUCT:COOLING:PRESSURE ROLLER	U018	74
D0747090	SEAL:VACUUM:POSITIONING SENSOR	U018	75
D0747102	SEAL:LOWER:DUCT:CONNECTING:DEVELOPMENT UNIT	U018	76
D0747103	SEAL:UPPER:DUCT:CONNECTING:DEVELOPMENT UNIT	U018	77
D0747114	BRACKET:FAN:DUCT:EXHAUST:CONTAINER BOX	U017	60
D0747118	DUCT:INNER BACK:COOLING:POSITIONING	U018	78

Exclusive Parts

Number	Part Name	Group	ID
	TIONING SENSOR		
D0747119	DUCT:FRONT:COOLING:POSITIONING SENSOR	U018	79
D0747120	BRACKET:DUCT:COOLING:POSITIONING SENSOR	U018	80
D0747122	DUCT:FRONT:OZONE UNIT:C/T BOX	U017	61
D0747123	DUCT:REAR:OZONE UNIT:C/T BOX	U017	62
D0747125	COVER:DUCT:OZONE UNIT:C/T BOX	U017	63
D0747126	SEAL:COVER:DUCT:OZONE UNIT:C/T BOX	U017	64
D0747128	SEAL:LOWER:DUCT:OZONE FILTER:C/T BOX	U017	65
D0747130	SEAL:EXIT:DUCT:OZONE FILTER:C/T BOX	U017	66
D0747172	SEAL:OPTICAL WRITING UNIT:LOWER	U019	37
D0747174	SEAL:DUCT:EXIT	U017_S001	67
D0747194	BRACKET:DUCT:EXHAUST:C/T BOX	U017	68
D0747275	DUCT:FAN:LIQUID COOLING	U017_S002	69
D0747326	SLIDE RAIL:RIGHT:NO.2:ASS'Y	U004	263
D0747330	SLIDE RAIL:LEFT:NO.1	U004	264
D0747331	STAY:SLIDE RAIL:LEFT INNER REAR:NO.1:PEEN	U004	265
D0747333	STAY:SLIDE RAIL:LEFT FRONT:NO.1	U004	266
D0747335	STAY:SLIDE RAIL:LEFT:NO.2	U004	267
D0747349	COMPRESSION SPRING:BRACKET:SENSOR:PAPER SIZE SENSOR	U004	268
D0747367	BRACKET:STOPPER:TANDEM LCT	U004	269
D0747381	DECAL:VERTICAL TRANSPORT:A1	U004	270
D0747382	DECAL:VERTICAL TRANSPORT:A2	U004	271
D0747383	DECAL:VERTICAL TRANSPORT:A3	U004	272
D0747384	DECAL:VERTICAL TRANSPORT:B2	U004_S012	273
D0747385	DECAL:CAUTION CHART:TANDEM LCT	U004_S001	274

Number	Part Name	Group	ID
D0747388	DECAL:PAPER SET DIRECTION:TANDEM LCT:RIGHT	U004_S001	275
D0747389	DECAL:PAPER SET DIRECTION:TANDEM LCT:LEFT	U004_S002	276
D0747390	DECAL:PAPER SET DIRECTION:PAPER TRAY	U004_S005	277
D0747391	DECAL:PAPER SET DIRECTION	U020	19
D0747392	DECAL:PAPER TRAY:NO.1	U004	278
D0747393	DECAL:PAPER TRAY:NO.2	U004	279
D0747431	STAY:HANDLE:ASS'Y	U004	280
D0747433	STUD:HANDLE:RELEASE:ASS'Y	U004	281
D0747446	BRACKET:DC STEPPER MOTOR:TRANSPORT UNIT	U004	282
D0747450	GUIDE PLATE:VERTICAL TRANSPORT:DRIVE	U004	283
D0747455	GUIDE PLATE:GRIP:UPPER	U004	284
D0747461	GUIDE PLATE:GRIP:LOWER	U004	285
D0747470	GUIDE PLATE:CONNECTING:UPPER	U004	286
D0747474	GUIDE PLATE:CONNECTING:RIGHT	U004	287
D0747476	GUIDE PLATE:OPEN AND CLOSE:ASS'Y	U004	288
D0747481	GUIDE PLATE:OPEN AND CLOSE:CONNECTING:ASS'Y	U004	289
D0747521	GUIDE PLATE:UPPER:PAPER FEED UNIT	U004_S010 U004_S011	290 290
D0747522	GUIDE PLATE:LOWER:PAPER FEED UNIT	U004_S010 U004_S011	291 291
D0747527	SHAFT:FEED:ASS'Y	U004_S010 U004_S011_S001	292 292
D0747551	COVER:PAPER TRAY:NO.1	U004	293
D0747558	COVER:GRIP:INNER BACK	U004	294
D0747561	GRIP:UPPER	U004	295
D0747562	GRIP:LOWER	U004	296
D0747565	STAY:COVER:PAPER TRAY	U004	297
D0747566	BRACKET:ARM:LINK	U004	298
D0747567	BRACKET:ARM:LINK:LEFT	U004	299

Exclusive Parts

Number	Part Name	Group	ID
D0747568	BRACKET:FIX:AUXILIARY:COVER	U004	300
D0747570	BASE:LINK:PAPER TRAY:ASS'Y	U004	301
D0747573	BRACKET:ARM:PLATE	U004	302
D0747575	LINK:UPPER LOWER:LEFT:ASS'Y	U004	303
D0747577	LINK:UPPER LOWER:ASS'Y	U004	304
D0747579	STOPPER:TANDEM LCT	U004	305
D0747595	BASE:TANDEM LCT:RIGHT:ADHESI ON	U004_S001	306
D0747596	TRAY BOTTOM PLATE:LEFT MIDDLE: ASS'Y	U004_S002	307
D0747601	COVER:PAPER TRAY:NO.2	U004	308
D0747603	PLATE:GRIP:PAPER TRAY:NO.2	U004	309
D0747606	GRIP:PAPER TRAY:NO.2	U004	310
D0747607	ARM:PAPER TRAY:GRIP	U004	311
D0747609	PROTECTION:COVER:LED	U004	312
D0747659	COVER:FUNNEL:DEVELOPER	U004	313
D0747684	HEAT SINK:HEATER:UPPER:FIBER	U004_S004	359
D0747690	BRUSH:BLOWER	SPECIAL TOOLS	9
D0747752	CAP:COVER:TONER SUPPLY	U001 U017	17 70
D0747762	BRACKET:HINGE:TONER SUPPLY	U001	19
D0747780	DOOR:FRONT LEFT:UPPER:ASS'Y	U001_S001	20
D0747782	GRIP:DOOR:FRONT	U001_S001 U001_S003	21 21
D0747787	HINGE:DOOR:COLLECTION BOTTLE: ASS'Y	U001	22
D0747791	DOOR:COLLECTION BOTTLE:ASS' Y	U001_S002	23
D0747793	GRIP:DOOR:COLLECTION BOTTLE	U001_S002	24
D0747794	LEVER:RELEASE:DOOR:COLLECTI ON BOTTLE	U001_S002	25
D0747795	SHAFT:CONTACT POINT:GRIP	U001_S002	26
D0747797	SPRING PLATE:DOOR:LEFT LOWER	U001	27
D0747810	DOOR:FRONT RIGHT:UPPER:ASS' Y	U001_S003	28
D0747814	DOOR:FRONT RIGHT:LOWER	U001	29
D0747828	CAP:CONNECTOR	U001_S006	30

Number	Part Name	Group	ID
D0747829	CAP:JOINT:LARGE CAPACITY TRA Y	U001_S006	31
D0747830	COVER:LARGE CAPACITY TRAY	U001_S006	32
D0747831	COVER:CONNECTOR:LARGE CAP ACITY TRAY	U001_S005 U001_S006	33 33
D0747847	(NA/AA/TW/KOR):(CHN[Pro C7200/ C7210/C7200X/C7210X]):DECAL:CA UTION CHART:INKJET:PAPER	U020	20
D0747850	HINGE:LEFT UPPER:ASS'Y	U001	34
D0747854	HINGE:LEFT LOWER:ASS'Y	U001	35
D0747858	HINGE:RIGHT UPPER:ASS'Y	U001	36
D0747861	HINGE:RIGHT LOWER:ASS'Y	U001	37
D0747869	(AA/TWN/KOR):(CHN[Pro C7200/C7 210/C7200X/C7210X]):DECAL:EMI:C LASS_A	U020	21
D0749548	DG CLEANER 5PCS/SET	SPECIAL TOOLS	10
D0749549	JIG:OPC SET	SPECIAL TOOLS	11
D0894252	GUIDE:FUSING EXIT:PFA	U012_S003_S004	143
D0894365	HOLDER:THERMISTOR:LENS	U018	81
D0894366	COVER:THERMISTOR:LENS	U018	82
D0895824	COVER:SD-CARD:D086/D087	U017	71
D0935309	COVER:SD-CARD	U017	72
D0A50641	BELT CLEANING:ASS'Y	U008_S001	54
D0A51161	COVER:HARNESS:TONER SUPPLY	U005	76
D0A51164	COVER:TONER SUPPLY	U019	55
D0A51255	COVER:C/T BOX:RIGHT:ASS'Y	U017_S004	73
D0A51418	TENSION SPRING:DEVELOPMENT	U015	65
D0A51426	SHAFT:DRIVE:BRUSH ROLLER:AS S'Y	U015	66
D0A51428	DRUM SHAFT:ASS'Y	U015	67
D0A51431	SHAFT:DRIVE:DEVELOPMENT SLE EVE:ASS'Y	U015	68
D0A51463	DC STEPPER MOTOR:MM42	U007	114
D0A51467	GEAR:DRIVE:130Z	U007	115
D0A51470	DRIVE ROLLER:INTERMEDIATE TR ANSFER:ASS'Y	U007	116
D0A51481	SHAFT:DRIVE:TRANSPORT SCRE W:ASS'Y	U015	69

Exclusive Parts

Number	Part Name	Group	ID
D0A51521	GEAR:PULLEY:VACUUM:51Z/21T	U013	262
D0A51556	GEAR:IDLER:FUSING:Z78/Z21	U015	70
D0A51560	SHAFT:OUTPUT:DRIVE:FUSING:ASS'Y	U015	71
D0A51561	SHAFT:OUTPUT:POLISH:ON-OFF:ASS'Y	U015	72
D0A51563	SHAFT:OUTPUT:POLISH:FUSING:ASS'Y	U015	73
D0A51610	BRACKET:AUXILIARY:DRIVE:EXIT	U015	74
D0A51611	BRACKET:DRIVE:EXIT:ASS'Y	U015	75
D0A51617	SHAFT:DRIVE:EXIT:ASS'Y	U015	76
D0A51671	(Pro C7200SX/C7210SX/C7200X/C7210X):BRACKET:DRIVE:ON-OFF:5ST:ASS'Y	U015	77
D0A51801	OPTICAL WRITING UNIT:4ST:ASS'Y	U003_S002	10
		U003_S003	10
D0A51806	(Pro C7200SX/C7210SX/C7200X/C7210X):OPTICAL WRITING UNIT:SST:ASS'Y	U003_S001	11
D0A52150	CHARGE UNIT:ASS'Y	U006_S010	74
		U006_S013	74
		U006_S016	74
		U006_S019	74
		U006_S022	74
		U006_S034	74
		U006_S037	74
		U006_S040	74
		U006_S043	74
D0A52269	ELECTRIC POTENTIAL SENSOR	U006_S001	125
		U006_S002	125
		U006_S003	125
		U006_S004	125
		U006_S025	125
		U006_S026	125
		U006_S027	125
		U006_S028	125
D0A52279	BASE:ELECTRIC POTENTIAL SENSOR	U016	38

Number	Part Name	Group	ID
D0A52302	PCU:ASS'Y	U006_S011	124
		U006_S014	124
		U006_S017	124
		U006_S020	124
		U006_S023	124
		U006_S035	124
		U006_S038	124
		U006_S041	124
		U006_S044	124
D0A52320	CLEANING UNIT:ASS'Y	U006_S012	76
		U006_S015	76
		U006_S018	76
		U006_S021	76
		U006_S024	76
		U006_S036	76
		U006_S039	76
		U006_S042	76
		U006_S045	76
D0A52510	CUSHION:CLEANING UNIT:ASS'Y	U006_S012	127
		U006_S015	127
		U006_S018	127
		U006_S021	127
		U006_S024	127
		U006_S036	127
		U006_S039	127
		U006_S042	127
		U006_S045	127
D0A52569	SLIDE RAIL:PCU:LEFT	U006	78
D0A52588	DECAL:LASER DIODE:MULTI-LANGUAGE	U006_S011	79
		U006_S014	79
		U006_S017	79
		U006_S020	79
		U006_S023	79
		U006_S035	79
		U006_S038	79
		U006_S041	79
		U006_S044	79
D0A52589	DECAL:PCDU_HOPPER:SIL	U006	150

Exclusive Parts

Number	Part Name	Group	ID
D0A52590	DECAL:PCDU_HOPPER:GLD	U006	151
D0A52591	DECAL:PCDU_HOPPER:K	U006	130
D0A52592	DECAL:PCDU_HOPPER:W	U006	131
D0A52593	DECAL:PCDU_HOPPER:CLR	U006	132
D0A52595	DECAL:PCDU_HOPPER:NEON-Y	U006	133
D0A52596	DECAL:PCDU_HOPPER:NEON-P	U006	134
D0A52597	DECAL:PCDU_HOPPER:IV-R	U006	135
D0A52615	TRANSPORT UNIT:ASS'Y	U011_S002	294
D0A52642	GEAR:TIMING ROLLER:TRANSFER:Z50	U011_S002	185
D0A52654	CASE:REMOVE PAPER DUST:ASS'Y	U011_S002	186
D0A52664	HOLDER:SENSOR:REGISTRATION:TIMING	U011_S002	187
D0A52685	CONTACT IMAGE SENSOR:ASS'Y	U011_S002_S002_S001	284
D0A52687	GUIDE PLATE:REGISTRATION:EXIT:ASS'Y	U011_S002_S002	295
D0A52751	TIMING ROLLER:TRANSFER:DRIVE:PRESS FIT	U011_S002	188
D0A52760	PLATE:SIDE PLATE:REAR:AUXILIARY	U011_S002	291
D0A52769	PLATE:SIDE PLATE:FRONT:AUXILIARY:PEEN	U011_S002	292
D0A52780	COVER:TRANSFER:TIMING:UPPER	U011_S002	282
D0A52815	BRACKET:CONTACT POINT:GUIDE PLATE:REAR:PEEN	U011_S002	189
D0A52853	LINK:TRANSFER:TIMING:ON-OFF	U011_S002	190
D0A52903	DC SOLENOID:VERTICAL TRANSPORT:UPPER:PRESS FIT	U011_S002	191
D0A52904	DC SOLENOID:PRESS FIT	U011_S002	192
D0A52914	SHAFT:CAM:REGISTRATION:TIMING	U011_S002	193
D0A52915	SHAFT:ARM:REGISTRATION:TIMING	U011_S002	277
D0A52916	SHAFT:SHIFT	U011_S002	280
D0A52940	HOLDER:ELECTRICAL COMPONENTS SECTION:ASS'Y	U011_S002	270

Number	Part Name	Group	ID
D0A52950	GUIDE PLATE:TIMING:TRANSFER:PEEN	U011_S002	194
D0A52959	DC MOTOR:REGISTRATION	U011_S002	195
D0A52962	GUIDE PLATE:REGISTRATION:ENTRANCE:UPPER	U011_S002	196
D0A52967	GUIDE PLATE:REGISTRATION:ENTRANCE:LOWER	U011_S002	197
D0A52980	GUIDE PLATE:REGISTRATION:EXIT:PEEN	U011_S002_S002	274
D0A53009	JIG:ROTARY:GATE:PEEN	U020	22
D0A53014	TIMING ROLLER:TRANSFER:DRIVE:PRESS FIT	U011_S002	198
D0A53015	REFLECTANCE TARGETS SHEET:CONTACT IMAGE SENSOR:CORRECT	U011_S002_S002_S001	272
D0A53020	ADJUSTING PLATE:CONTACT IMAGE SENSOR:ASS'Y	SPECIAL TOOLS	12
D0A53026	REGISTRATION ROLLER:TIMING:DRIVE	U011_S002	199
D0A53035	COVER:CRB	U011_S002	293
D0A53038	HOLDER:SENSOR:TRANSFER:TIMING	U011_S002 U013	200 126
D0A53316	GUIDE:TONER SUPPLY:ASS'Y	U006_S011_S001 U006_S014_S001 U006_S017_S001 U006_S020_S001 U006_S023_S001 U006_S035_S001 U006_S038_S001 U006_S041_S001 U006_S044_S001	80 80 80 80 80 80 80 80 80
D0A53408	SHAFT:DRIVE:TONER SUPPLY	U005	174
D0A53409	GEAR:DRIVE:CLUTCH	U005	77
D0A53417	GEAR:CLUTCH:DRIVE	U005	78
D0A53418	GEAR:CLUTCH:IDLER	U005	79
D0A53419	SHAFT:CLUTCH:DRIVE:KS	U005	80
D0A53421	SHAFT:CLUTCH:DRIVE:COLOR	U005	81
D0A53427	COVER:TONER SUPPLY:FRONT:K	U005	82

Exclusive Parts

Number	Part Name	Group	ID
	S:ASS'Y	U005_S009	82
D0A53429	CASE:TONER SUPPLY:K:ASS'Y	U005_S003	83
		U005_S022	83
D0A53441	CASE:TONER HOPPER:TONER SUPPLY:COLOR:ASS'Y	U005_S006	84
		U005_S007	84
		U005_S008	84
		U005_S019	84
		U005_S020	84
		U005_S021	84
D0A53450	PUMP UNIT:TONER SUPPLY:ASS'Y	U005	85
		U005_S004	85
		U005_S009	85
		U005_S023	85
D0A53456	SEAL:DEVELOPMENT ROLLER:FRONT:2	U006_S011	139
		U006_S014	139
		U006_S017	139
		U006_S020	139
		U006_S023	139
		U006_S035	139
		U006_S038	139
		U006_S041	139
		U006_S044	139
D0A53457	SEAL:DEVELOPMENT ROLLER:FRONT:1	U006_S011	140
		U006_S014	140
		U006_S017	140
		U006_S020	140
		U006_S023	140
		U006_S035	140
		U006_S038	140
		U006_S041	140
		U006_S044	140
D0A53499	ELECTROMAGNETIC CLUTCH:0.5NM:Z31:DIA6	U005	86
D0A53546	TONER BANK:ASS'Y	U005_S010	176
		U005_S012	176
		U005_S014	176
		U005_S016	176
		U005_S025	176

Number	Part Name	Group	ID
		U005_S027	176
		U005_S029	176
		U005_S031	176
D0A53588	BRACKET:RACK:STOPPER	U005_S010	167
		U005_S012	167
		U005_S014	167
		U005_S016	167
		U005_S025	167
		U005_S027	167
		U005_S029	167
		U005_S031	167
D0A53636	TUBE:BK:4ST	U005	178
D0A53682	(Pro C7200S/C7210S/C7200SL/C7200/C7200e/C7210):GEAR:TONER BANK:RIC-SPT:K:ASS'Y	U005	88
D0A53687	(Pro C7200S/C7210S/C7200SL/C7200/C7200e/C7210):GEAR:TONER BANK:RIC-SPT:C:ASS'Y	U005	89
D0A53692	(Pro C7200S/C7210S/C7200SL/C7200/C7200e/C7210):GEAR:TONER BANK:RIC-SPT:M:ASS'Y	U005	90
D0A53697	(Pro C7200S/C7210S/C7200SL/C7200/C7200e/C7210):GEAR:TONER BANK:RIC-SPT:Y:ASS'Y	U005	91
D0A53710	SEAL:REAR:SLIDER:TONER BANK:T6	U005_S010	172
		U005_S012	172
		U005_S014	172
		U005_S016	172
		U005_S025	172
		U005_S027	172
		U005_S029	172
		U005_S031	172
D0A53732	(Pro C7200SX/C7210SX/C7200X/C7210X):GEAR:TONER BANK:RIC:K:ASS'Y	U005	92
D0A53737	(Pro C7200SX/C7210SX/C7200X/C7210X):GEAR:TONER BANK:RIC:C:ASS'Y	U005	93

Exclusive Parts

Number	Part Name	Group	ID
D0A53742	(Pro C7200SX/C7210SX/C7200X/C7210X):GEAR:TONER BANK:RIC:M:ASS'Y	U005	94
D0A53747	(Pro C7200SX/C7210SX/C7200X/C7210X):GEAR:TONER BANK:RIC:Y:ASS'Y	U005	95
D0A53760	(Pro C7200S/C7210S/C7200SL/C7200/C7200e/C7210):INNER COVER:DRUMMY:5ST:TONER SUPPLY:ASS'Y	U005_S036	96
D0A53763	(Pro C7200S/C7210S/C7200SL/C7200/C7200e/C7210):INNER COVER:TONER SUPPLY:4ST:ASS'Y	U005_S035	97
D0A53850	TRANSPORT BELT UNIT:ASS'Y	U011_S001	201
D0A53854	TRANSPORT ROLLER:DRIVE:SUS	U011_S001	202
D0A53855	FLAT CONVEYER BELT	U011_S001	203
D0A53856	PULLEY:DRIVE:VACUUM:S2M:27T	U011_S001	204
D0A53857	BRACKET:SENSOR:VACUUM	U011_S001	276
D0A53906	FLAT BELT-FUSING:DIA88.5:SEAL	U012_S003	144
D0A53919	COVER:HARNESS:FIRST:LOWER	U012_S003	145
D0A53928	HOLDER:COIL SPRING:PRESSURE	U012_S003	146
D0A53947	JOINT:KNOB:FUSING	U012_S003	221
D0A53990	ROLLER:POLISH	U012_S002	147
D0A53994	LEVER:PAPER EXIT UNIT:REAR	U012_S003_S003	148
D0A53997	GUIDE:FUSING EXIT:UPPER:2	U012_S003_S003_S002	150
D0A53999	CYLINDER:GUIDE:HEATER	SPECIAL TOOLS	13
D0A54022	HEATER HOLDER:HEAT ROLLER:FRONT	U012_S003	153
D0A54023	HEATER HOLDER:HEAT ROLLER:REAR	U012_S003	154
D0A54026	HOLDER:THERMISTOR:HEAT ROLLER:REAR	U012_S003	155
D0A54027	(EU/AA/TWN/KOR/CHN):FUSING UNIT:230V:ASS'Y	U012_S003	239
D0A54031	RING:GUIDE:HEAT ROLLER:DIA39.2	U012_S003	156
D0A54041	FRAME:SEPARATION SUB-UNIT	U012_S003_S003	224
D0A54045	GUIDE PLATE:UPPER:STRIPPER P	U012_S003_S003	157

Number	Part Name	Group	ID
	LATE	_S001	
D0A54046	FEELER:HEAT ROLLER:TURN	U012_S003	225
D0A54057	BRACKET:DRIVE:POLISH:PEEN	U012_S003	234
D0A54061	CLAMP:HARNESS:PRESSURE	U012_S003	236
D0A54062	BRACKET:THERMISTOR:PRESSURE	U012_S003	237
D0A54064	SHAFT:DRIVE:ON-OFF:POLISH	U012_S003	158
D0A54066	SHAFT:DRIVE:POLISH	U012_S003	159
D0A54090	BRACKET:PHOTOINTERRUPTOR:FRONT	U012_S003	229
D0A54091	PRESSURE SUB-UNIT:STRIPPER PLATE:ASS'Y:(C7200+/C7210+)	U012_S003_S004	161
D0A54102	DUCT:PRESSURE:LOWER	U012_S003	238
D0A54104	SHAFT:CAM:PRESSURE	U012_S003	162
D0A54109	FEELER:CAM:PRESSURE:FRONT	U012_S003	163
D0A54120	SUPPORTING PLATE:LEVER:PRESSURE	U012_S003	164
D0A54135	CAM:PRESSURE:A	U012_S003	165
D0A54188	GUIDE PLATE:FUSING EXIT:LOWER:NO.2:ASS'Y	U012_S003	166
D0A54189	HOLDER:HARNESS:HEATER:(C7200+/C7210+)	U012_S003	167
D0A54191	SEPARATION SUB-UNIT:GUIDE PLATE:(C7200+/C7210+)	U012_S003	168
D0A54192	SIDE PLATE:HEAT ROLLER:FRONT:PRESS FIT:(C7200+/C7210+)	U012_S003_S002	232
D0A54202	SEPARATION SUB-UNIT:FUSING:ASS'Y	U012_S003_S003	169
D0A54208	SERVICE PARTS:STRIPPER PLATE:ASS'Y	U012_S003_S003_S001	170
D0A54221	PLATE:HOT ROLLER:GEAR:(C7200+/C7210+)	U012_S003	171
D0A54224	GUIDE PLATE:FUSING EXIT:UPPER:ASS'Y	U012_S003_S003_S002	226
D0A54237	BRACKET:REAR:WEB:PEEN:(C7200+/C7210+)	U012_S001	172
D0A54242	BRACKET:FRONT:WEB:(C7200+/C7210+)	U012_S001	173

Exclusive Parts

Number	Part Name	Group	ID
D0A54243	GEAR:HOT ROLLER:40Z:(C7200+/C7210+)	U012_S003	174
D0A54244	GEAR:PRESSURE ROLLER:42Z:ASS'Y:(C7200+/C7210+)	U012_S003	175
D0A54245	FUSING COVER:REAR:PRINTING:(C7200+/C7210+)	U012_S003	176
D0A54250	WEB:CLEANING UNIT:ASS'Y:(C7200+/C7210+)	U012_S001	177
D0A54252	FUSING COVER:UPPER:SUB-ASS'Y:(C7200+/C7210+)	U012_S003_S001	178
D0A54255	FUSING COVER:FRONT:(C7200+/C7210+)	U012_S003	179
D0A54265	DECAL:WARNING (REMOVAL AND INSTALLATION):FUSING	U012_S003_S001	222
D0A54266	DECAL:FUSING UNIT:POSITIONING	U012_S003	223
D0A54277	ELECTRODE PLATE:HEATER:PRESSURE:FRONT:(C7200+/C7210+)	U012_S003	180
D0A54278	FIX STAND:TERMINAL:HEATER:ASS'Y:(C7200+/C7210+)	U012_S003	181
D0A54281	FUSING ENTRANCE GUIDE PLATE:LOWER:BRACKET:(C7200+/C7210+)	U012_S003	182
D0A54282	FUSING ENTRANCE GUIDE PLATE:LOWER:(C7200+/C7210+)	U012_S003	183
D0A54283	DISCHARGE BRUSH:PRESSURE ROLLER:(C7200+/C7210+)	U012_S003	184
D0A54287	SUPPORTING PLATE:LEVER:PRESSURE:(C7200+/C7210+)	U012_S003	185
D0A54316	GUIDE:FUSING EXIT:UPPER	U012_S003_S003_S002	186
D0A54321	HOUSING:THERMOSTAT:HEAT ROLLER:ASS'Y	U012_S003	187
D0A54330	SHEET:GUIDE PLATE:STRIPPER PLATE	U012_S003_S003_S001	188
D0A54346	HEAT ROLLER:DIA39.2	U012_S003	189
D0A54348	HOLDER:FUSING UNIT:HEATER:(C7200+/C7210+)	U012	190

Number	Part Name	Group	ID
D0A54352	ROLLER:POLISH:ASS'Y	U012_S002	191
D0A54404	DRIVEN ROLLER:COOLING UNIT:ENTRANCE:PRESS FIT	U013_S001	127
D0A54406	TRANSPORT ROLLER:DRIVE:REVERSE:ENTRANCE:PRESS FIT	U013	128
D0A54408	TRANSPORT ROLLER:DRIVEN:PRESS FIT	U013	129
D0A54410	BRACKET:DC MOTOR:EXIT:ENTRANCE:PEEN	U013	274
D0A54427	LEVER:GUIDE PLATE:EXIT:UPPER:OPEN AND CLOSE	U013	246
D0A54432	GUIDE PLATE:EXIT:LOWER	U013	130
D0A54436	CAP:HEAT PIPE	U013_S001	131
D0A54439	GEAR:PULLEY:EXIT:92Z/60T	U013	132
D0A54443	GUIDE PLATE:EXIT:UPPER:ASS'Y	U013	259
D0A54453	TRANSPORT ROLLER:DRIVE:REVERSE:EXIT:PRESS FIT	U013	133
D0A54455	TRANSPORT ROLLER:DRIVE:EXIT:CONNECTING:PRESS FIT	U013	134
D0A54459	STAY:LOCK:LEVER:GUIDE PLATE	U013	257
D0A54487	TENSION SPRING:EXIT:GUIDE PLATE	U013	135
D0A54492	JOINT:EXIT:DRIVE	U013	136
D0A54497	SHAFT:JOINT:DRIVE:EXIT:PRESS FIT	U013	137
D0A54530	COOLING SUB-UNIT:PAPER EXIT UNIT:ASS'Y	U013_S001	261
D0A54556	GATE:DUPLEX:EXIT:ASS'Y	U013	138
D0A54579	GUIDE PLATE:COOLING:EXIT:UPPER:ADHESION	U013_S001	275
D0A54588	DC SOLENOID:REVERSE ROLLER:LINK:PRESS FIT	U013	139
D0A54647	LINK:REVERSE ROLLER:ASS'Y	U013_S002	243
D0A54696	GATE:REVERSE:EXIT:ASS'Y	U013	140
D0A54720	SHAFT:CONTACT POINT:GUIDE:COOLING:ENTRANCE	U013_S001	141
D0A54721	GUIDE PLATE:COOLING UNIT:ENTRANCE:UPPER:PEEN	U013_S001	142

Exclusive Parts

Number	Part Name	Group	ID
D0A54728	GRIP:COOLING UNIT:ON-OFF	U013	143
D0A54732	TENSION SPRING:DRIVEN ROLLER:COOLING:ENTRANCE	U013_S001	144
D0A54735	LEVER:ON-OFF:LINK:ASS'Y	U013_S001	145
D0A54741	STOPPER:OPEN AND CLOSE:COOLING UNIT	U013_S001	146
D0A54752	KNOB:LEVER:RELEASE	U013_S001	147
D0A54770	GUIDE:COOLING:ENTRANCE	U013_S001	245
D0A54771	TRANSPORT ROLLER:DRIVEN:COOLING:ENTRANCE	U013_S001	148
D0A54772	TRANSPORT ROLLER:COOLING:EXIT:PRESS FIT	U013	149
D0A54774	DRIVE ROLLER:SCANNING:PAPER:SUB SCANNING:PRESS FIT	U013	248
D0A54801	GUIDE:DUPLEX:OPEN AND CLOSE:LOWER	U013	150
D0A54802	GUIDE:DUPLEX:OPEN AND CLOSE:UPPER:PEEN	U013	151
D0A54818	DRIVE ROLLER:EXIT:COOLING UNIT:PRESS FIT	U013_S001	152
D0A54834	COIL SPRING:PRESSURE:ROLLER:SUB SCANNING:FRONT	U013	263
D0A54835	COIL SPRING:PRESSURE:ROLLER:SUB SCANNING:REAR	U013	264
D0A54870	DISCHARGE BRUSH:DUPLEX	U013	153
D0A54872	BRACKET:TRANSPORT ROLLER:DUPLEX:REVERSE:RIGHT	U014	25
D0A54884	TRANSPORT ROLLER:DRIVE:REVERSE:PRESS FIT	U013	154
D0A54889	GUIDE PLATE:RECEIVING SUB-UNIT:LEFT LOWER:LOWER:PEEN	U014	26
D0A54891	GUIDE PLATE:RECEIVING SUB-UNIT:LEFT LOWER:EXTENSION GUIDE	U014	27
D0A54893	GUIDE PLATE:REVERSE:ENTRANCE:HING	U013	155
D0A54905	TRANSPORT ROLLER:DRIVEN:PRESS FIT	U013_S004	253

Number	Part Name	Group	ID
D0A54934	TRANSPORT ROLLER:DRIVE:REVERSE:PRESS FIT	U014	28
D0A54998	TIMING PULLEY:S2M:30T	U014	29
D0A54999	DC STEPPER MOTOR:MM42:DRIVE	U013	156
D0A55356	TEMPERATURE SENSOR:FUSING UNIT:DRAWER:17PIN	U012_S003	192
D0A55357	TEMPERATURE SENSOR:FUSING UNIT:UPPER:11PIN	U012_S003	193
D0A55390	HARNESS:BLASTER:CRB:CONNECTING	SPECIAL TOOLS	16
D0A55407	SERVICE PARTS:SD-CARD:ASS'Y	U017_S007	76
		U017_S009	76
D0A55410	PCB:RYB	U017	77
D0A55426	PCB:TSB:ASS'Y	U005	98
D0A55433	AC CONTROL BOARD	U016	39
D0A55435	PCB:ACRY	U016	40
D0A55446	PCB:TDRB	U007	117
D0A55472	PCB:SSB_R	U011_S002	271
D0A55474	PCB:SSB	U013_S004	258
D0A55475	PCB:CRB-R	U011_S002	296
D0A55487	PCB:PRB	U007	118
D0A55490	PCB:TACT_SNS	U011_S002	207
		U013	157
		U013_S004	157
D0A55502	PCB:IOB	U016	41
D0A55515	PCB:TCRU-IDB	U012_S003	194
D0A55516	PCB:PFB	U016	42
D0A55517	(Pro C7200SX/C7210SX/C7200X/C7210X):PCB:RFID-AFE:S	U005	168
D0A55520	PCB:TDCU:ASS'Y	U016	43
D0A55530	(Pro C7200SX/C7210SX/C7200X/C7210X):PCB:DSW	U005_S009	99
D0A55532	PCB:DRB	U011_S002_S001	208
D0A55832	HDD UNIT:ASS'Y	U017_S006	79
		U017_S008	79
D0A56044	BRACKET:INTERMEDIATE TRANSFER:FRONT	U007	225
D0A56045	BRACKET:INTERMEDIATE TRANSFER:FRONT	U007	226

Exclusive Parts

Number	Part Name	Group	ID
	ER:REAR		
D0A56050	FLAT BELT-TRANSFER:ASS'Y	U007	119
D0A56061	LEVER:ON-OFF:BLACK:LEFT:FRONT	U007	120
D0A56066	PLATE:ROLLER:DRIVEN:BLACK	U007	121
D0A56070	SERVICE PARTS:INTERMEDIATE TRANSFER:COIL SPRING:SET:A	U007_S003	217
D0A56071	TENSION SPRING:PRESSURE:INTERMEDIATE TRANSFER:8N:RED	U007 U007_S003	218 218
D0A56072	TENSION SPRING:PRESSURE:INTERMEDIATE TRANSFER:13N:GREEN	U007_S003	219
D0A56075	SERVICE PARTS:INTERMEDIATE TRANSFER:COIL SPRING:SET:B	U007_S002	220
D0A56081	TENSION SPRING:PRESSURE:INTERMEDIATE TRANSFER:12.5N:BLUE	U007_S002	221
D0A56114	TENSION SPRING:ON-OFF:SCALE:BRACKET:INNER	U007	122
D0A56121	BRACKET:DENSITY SENSOR:INTERMEDIATE TRANSFER	U007	236
D0A56125	ROLLER:FRONT:INTERMEDIATE TRANSFER:PRESS FIT	U007	123
D0A56141	EXCHANGE PLATE:ON-OFF:NO.5:REAR:PEEN	U007	124
D0A56142	EXCHANGE PLATE:ON-OFF:NO.5:FRONT:PEEN	U007	125
D0A56144	BRACKET:INTERMEDIATE TRANSFER:REAR	U007	229
D0A56147	BRACKET:INTERMEDIATE TRANSFER:FRONT	U007	230
D0A56155	SPRING PLATE:EARTH:BACK UP:INTERMEDIATE TRANSFER:ASS'Y	U007	126
D0A56157	ROLLER:FIRST:TRANSFER:REAR:PRESS FIT	U007	127
D0A56187	COVER:INTERMEDIATE TRANSFER:ASS'Y	U007	128
D0A56200	TRANSFER/SEPARATION UNIT:AS	U009_S001	38

Number	Part Name	Group	ID
	S'Y		
D0A56212	ROLLER:INTERMEDIATE TRANSFER:17.5MM:ASS'Y	U007	129
D0A56242	TENSION SPRING:PRESSURE:INTERMEDIATE TRANSFER:17N	U007_S002	216
D0A56243	COVER:INTERMEDIATE TRANSFER:NO.1	U007	130
D0A56244	COVER:INTERMEDIATE TRANSFER:NO.2	U007	131
D0A56252	TRANSFER ROLLER:18MIC	U009_S001	39
D0A56257	PULLEY:ON-OFF:S2M:27T:MELTING ADHESION	U007	223
D0A56260	GUIDE:TRANSPORT:INTERMEDIATE TRANSFER:ASS'Y	U007	134
D0A56412	LEVER:ON-OFF:BLACK:LEFT:REAR	U007	136
D0A56712	COVER:OPERATION SUB-UNIT:STAND:UPPER:ASS'Y	U020_S002 U020_S007 U020_S012 U020_S017	23 23 23 23
D0A56730	COVER:DISPLSY:REAR UPPER	U020	24
D0A56731	COVER:DISPLSY:REAR LOWER	U002	11
D0A56733	COVER:FRAME:STAND:OPERATION SUB-UNIT	U020	25
D0A56737	HINGE:STAND:OPERATION SUB-UNIT:ASS'Y	U020	26
D0A56739	FRAME:STAND:OPERATION SUB-UNIT:REAR	U020	27
D0A56740	FRAME:STAND:OPERATION SUB-UNIT:FRONT	U020	28
D0A56840	SPRING PLATE:OPU-DISPLAY	U002	12
D0A56842	GASKET:H1:W5:L13	U002_S001	13
D0A56843	GASKET:H5.5:W8:L17	U002_S001	14
D0A56934	DUCT:HEAT PIPE:FUSING:LOWER	U018	83
D0A56974	CAP:DUCT:EXHAUST:ABSORB DUST SUB-UNIT:C/T BOX:(C7200+/C7210+)	U017	119
D0A56975	CASE:DUCT:EXHAUST:ABSORB DUST SUB-UNIT:C/T BOX:(C7200+/C	U017	120

Exclusive Parts

Number	Part Name	Group	ID
	7210+)		
D0A56976	SEAL:CASE:ABSORB DUST SUB-UNIT:C/T BOX:(C7200+/C7210+)	U017	121
D0A56992	DUCT:HEAT PIPE:ROLLER:VACUUM:UPPER	U018	84
D0A56993	DUCT:HEAT PIPE:ROLLER:VACUUM:LOWER	U018	85
D0A56995	SEAL:DUCT:HEAT PIPE:VACUUM:UPPER	U018	86
D0A56996	SEAL:DUCT:HEAT PIPE:VACUUM:LOWER	U018	87
D0A56997	SEAL:DUCT:HEAT PIPE:UPPER:MI DDLE	U018	88
D0A56998	DUCT:HEAT PIPE:ROLLER:VACUUM:LEFT	U018	89
D0A56999	SEAL:DUCT:HEAT PIPE:LOWER:MI DDLE	U018	90
D0A57026	DUCT:CONNECTING:ABSORB DUST SUB-UNIT:LEFT:(C7200+/C7210+)	U018	126
D0A57027	DUCT:CONNECTING:ABSORB DUST SUB-UNIT:RIGHT:(C7200+/C7210+)	U018	127
D0A57093	SEAL:DUCT:CONTACT IMAGE SENSOR:VACUUM:FRONT	U001_S009 U001_S011	38 38
D0A57107	SEAL:DUCT:EXHAUST:C/T BOX:FRONT	U017	80
D0A57109	SEAL:DUCT:EXHAUST:C/T BOX:EXIT	U017	81
D0A57111	FILTER:PREVENTFENCE:(C7200+/C7210+)	U017	82
D0A57124	DUCT:PCU:FRONT:4ST:ASS'Y	U018	91
D0A57135	OZONE FILTER:C/T BOX:MM120:10MM	U017	83
D0A57144	SIDE FENCE:TANDEM LCT:LEFT REAR:ASS'Y	U004_S002_S001	367
D0A57146	DUCT:EXHAUST:ABSORB DUST SUB-UNIT:C/T BOX:FRONT:(C7200+/C7210+)	U017	84

Number	Part Name	Group	ID
D0A57147	DUCT:EXHAUST:ABSORB DUST SUB-UNIT:C/T BOX:REAR:(C7200+/C7210+)	U017	85
D0A57189	DUCT:EXHAUST:C/T BOX:FRONT	U017	86
D0A57190	DUCT:EXHAUST:C/T BOX:REAR	U017	87
D0A57259	DOOR:FRONT LEFT:LOWER	U001	39
D0A57352	(EU/AA/TWN/KOR):(CHN[Pro C7200/C7210/C7200X/C7210X]):TANDEM LCT:RIGHT:ASS'Y	U004_S001	314
D0A57450	PAPER FEED UNIT:PAPER BANK:ASS'Y	U004_S010 U004_S011	315 315
D0A57464	DC SOLENOID:REVERSE:SUB-ASS'Y	U004_S010 U004_S011	316 316
D0A57471	INNER COVER:VERTICAL TRANSPORT:RIGHT:ASS'Y	U004_S012	317
D0A57521	ROLLER:SHADING:WHITE:SMALL:PRESS FIT	U013_S005	247
D0A57529	GEAR:ROLLER:SHADING	U013_S005	158
D0A57530	GEAR:PULLEY:ROLLER:SHADING	U013_S005	159
D0A57536	ROLLER:SCANNING:PAPER:SUB SCANNING:COATING	U013	160
D0A57544	GUIDE PLATE:COOLING:EXIT:LOWER	U013	161
D0A57560	PULLEY:TRANSPORT ROLLER:T24	U013	162
D0A57568	SYNCHRONOUS BELT:60DS3M300	U013	163
D0A57580	SHADING PLATE:TURN:ASS'Y	U013_S005	164
D0A57581	BASE:SHADING:ASS'Y	U013_S005_S001	165
D0A57585	TENSION SPRING:DC STEPPER MOTOR:SHADING	U013	166
D0A57586	TENSION SPRING:TENSIONER:COILING:EXIT	U013	167
D0A57595	ROLLER:SHADING:BLACK:LARGE:PRESS FIT	U013_S005	168
D0A57596	ROLLER:SHADING:BLACK:SMALL:PRESS FIT	U013_S005	169
D0A57597	ROLLER:SHADING:WHITE:LARGE:PRESS FIT	U013_S005	170
D0A57599	TIMING PULLEY:FEELER:DRIVE:30	U013	172

Exclusive Parts

Number	Part Name	Group	ID
	T		
D0A57600	CONTACT IMAGE SENSOR:FA4CF C-02	U013_S004	173
D0A57601	CONTACT IMAGE SENSOR:FA4CF C-02-50	U011_S002_S002_S001	287
D0A57605	HEAT CONDUCTIVE SHEET:CONTACT IMAGE SENSOR:COOLING	U011_S002_S002_S001	288
D0A57621	DECAL:GRIP:SCANNING:D3	U013_S004	174
D0A57642	OPTICAL READING UNIT:COOLING:EXIT:ASS'Y	U013_S004	254
D0A57665	ADJUSTING PLATE:FILM:GRAY	U013_S005	176
D0A57675	SLOPE:COVER:CONTACT IMAGE SENSOR	U013_S004	271
D0A57678	HEAT SINK:HEATER:LOWER:ASS'Y	U004_S003	360
D0A57679	HEAT SINK:HEATER:UPPER:ASS'Y	U004_S004	361
D0A57687	DECAL:DOOR:FRONT:LED	U001_S004	40
D0A57688	DECAL:PULL OUT:RIGHT:B3	U001_S008 U001_S010	41 41
D0A57689	DECAL:PULL OUT:RIGHT:B4	U001_S008 U001_S010	42 42
D0A57690	DECAL:PULL OUT:RIGHT:B6	U001_S008 U001_S010	43 43
D0A57691	DECAL:PULL OUT:RIGHT:Z2	U001_S008 U001_S010	44 44
D0A57692	DECAL:PULL OUT:LEFT:D1	U001_S009 U001_S011	45 45
D0A57693	DECAL:PULL OUT:LEFT:D7	U001_S009 U001_S011	46 46
D0A57694	DECAL:ON-OFF:COOLING SUB-UNIT:ENTRANCE:DRIVEN ROLLER	U001_S009 U001_S011	47 47
D0A57722	DECAL:H-TEMP WARNING:PAPER FEED:INNER BACK	U001_S008 U001_S010	76 76
D0A57723	DECAL:H-TEMP WARNING:PAPER FEED:FRONT RIGHT	U001_S008 U001_S010	77 77
D0A57725	DECAL:H-TEMP WARNING:EXIT:LEFT REAR	U013	250
D0A57726	DECAL:H-TEMP WARNING:EXIT:LEFT FRONT	U013	251

Number	Part Name	Group	ID
D0A57797	SD-CARD:SP:Batch:TOOL:ASS'Y	SPECIAL TOOLS	20
D0A57806	COVER:MAIN:RIGHT:ASS'Y	U001_S006	74
D0A57816	SUPPORTING PLATE:DOOR:FRONT RIGHT:ASS'Y	U001_S004	48
D0A57841	INNER COVER:PULL OUT:RIGHT:ASS'Y	U001_S008 U001_S010	49 49
D0A57842	INNER COVER:PULL OUT:LEFT:ASS'Y	U001_S009 U001_S011	50 50
D0A57981	(EU/AA/TWN/KOR):(CHN[Pro C7200/C7210/C7200X/C7210X]):POWER SUPPLY CODE:DECAL:ASS'Y	U020_S003 U020_S004 U020_S008 U020_S009 U020_S013 U020_S014 U020_S018 U020_S019	29 29 29 29 29 29 29 29
D0A58860	DECAL:H-TEMP WARNING:EXIT	U001_S009 U001_S011	51 51
D0A58883	DECAL:PULL OUT:LEFT:FUSING UNIT:SET	U001_S009 U001_S011	52 52
D0A58885	DECAL:PULL OUT:LEFT:Z1	U001_S009 U001_S011	53 53
D0A58887	DECAL:PULL OUT:LEFT:FUSING UNIT:TCRU	U001_S009 U001_S011	54 54
D0A58889	DECAL:PULL OUT:RIGHT:B1	U001_S008 U001_S010	55 55
D0A58892	DECAL:CAUTION:INLET	U020	30
D0A58893	DECAL:CAUTION:POWER SUPPLY CORD	U020_S003 U020_S004 U020_S008 U020_S009 U020_S013 U020_S014 U020_S018 U020_S019	31 31 31 31 31 31 31 31
D0A58897	(NA/AA/TW/KOR):(CHN[Pro C7200/C7210/C7200X/C7210X]):DECAL:POWER SOURCE:OFF:ENGLISH	U020	32

Exclusive Parts

Number	Part Name	Group	ID
D0A59640	DEVELOPER BLACK	U006	82
D0A59660	DEVELOPER CYAN	U006	83
D0A59670	DEVELOPER MAGENTA	U006	84
D0A59680	DEVELOPER YELLOW	U006	85
D0A59695	DEVELOPER WHITE	U006	142
D0A59705	DEVELOPER NEON YELLOW	U006	136
D0A59715	DEVELOPER NEON-PINK	U006	138
D0A59725	DEVELOPER INVISIBLE-RED	U006	137
D0A59735	DEVELOPER CLEAR	U006	141
D0A59755	DEVELOPER-S	U006	143
D0A59765	DEVELOPER-G	U006	144
D0AL3428	(Pro C7200SX/C7210SX/C7200X/C7210X):TONER HOPPER:TONER SUPPLY:S:ASS'Y	U005_S009	100
D0AL3429	(Pro C7200SX/C7210SX/C7200X/C7210X):CASE:TONER SUPPLY:S:ASS'Y	U005_S009_S001	101
D0AL3457	CLIP:TUBE:TONER SUPPLY	U005	102
D0AL3458	DECAL:TCRU:5ST:ASS'Y	U005_S005	103
		U005_S009_S002	103
		U005_S024	103
D0AL3502	(Pro C7200SX/C7210SX/C7200X/C7210X):HOLDER:FRONT:TONER BOTTLE:5ST	U005	104
D0AL3503	(Pro C7200SX/C7210SX/C7200X/C7210X):BRACKET:HOLDER:FRONT:TONER BOTTLE	U005	105
D0AL3625	(Pro C7200SX/C7210SX/C7200X/C7210X):TUBE:TONER:S:KS	U005	106
D0AL3626	TUBE:TONER:BK:KS	U005	179
D0AL3725	DECAL:TONER HOPPER:TCRU:BK	U005	107
D0AL5494	(Pro C7200SX/C7210SX/C7200X/C7210X):PCB:EXDB	U016	44
D0BX6282	SWING UNIT:PICKUP ROLLER:ASS'Y	U004_S010	372
		U004_S011	372
D0BX6780	TRAY BOTTOM PLATE:ASS'Y	U004_S005	365
D0BX7556	(EU/AA/TWN/KOR):(CHN[Pro C7200/C7210/C7200X/C7210X]):TANDEM	U004_S002	373

Number	Part Name	Group	ID
	LCT:LEFT:ASS'Y		
D0BX7631	PAPER TRAY:UNIVERSAL:SUB-ASS'Y	U004_S005	327
D0CQ5100	SD-CARD:NICE:APPLICATION:ASS'Y	U016	64
D0EZ6646	INNER COVER:TANDEM LCT:LEFT	U004_S002	245
D1294331	FLAT NUT:BRAKE	U012_S001	195
D1316511	BRACKET:CONNECTOR:LEFT	U004	318
D1316775	SIDE FENCE:REAR:ASS'Y	U004_S005_S001	319
D1316777	SIDE FENCE:FRONT:ASS'Y	U004_S005_S002	320
D1361244	COVER:ENCODER	U013	177
D1362365	CLEANING BLADE:ASS'Y	U006_S012	86
		U006_S015	86
		U006_S018	86
		U006_S021	86
		U006_S024	86
		U006_S036	86
		U006_S039	86
		U006_S042	86
		U006_S045	86
D1362411	COATING BAR:ASS'Y	U006_S012	87
		U006_S015	87
		U006_S018	87
		U006_S021	87
		U006_S024	87
		U006_S036	87
		U006_S039	87
		U006_S042	87
		U006_S045	87
D1362417	ARM:COATING BAR	U006_S012	88
		U006_S015	88
		U006_S018	88
		U006_S021	88
		U006_S024	88
		U006_S036	88
		U006_S039	88
		U006_S042	88
		U006_S045	88

Exclusive Parts

Number	Part Name	Group	ID
D1362418	TENSION SPRING:COATING BAR:18N	U006_S012	89
		U006_S015	89
		U006_S018	89
		U006_S021	89
		U006_S024	89
		U006_S036	89
		U006_S039	89
		U006_S042	89
D1362441	BLADE:APPLY:ASS'Y	U006_S012	90
		U006_S015	90
		U006_S018	90
		U006_S021	90
		U006_S024	90
		U006_S036	90
		U006_S039	90
		U006_S042	90
D1363407	SEAL:DEVELOPMENT ROLLER:REAR	U006_S011	92
		U006_S014	92
		U006_S017	92
		U006_S020	92
		U006_S023	92
		U006_S035	92
		U006_S038	92
		U006_S041	92
D1363431	FILTER:DEVELOPMENT	U006_S011	93
		U006_S014	93
		U006_S017	93
		U006_S020	93
		U006_S023	93
		U006_S035	93
		U006_S038	93
		U006_S041	93
D1365978	BRACKET:HDD	U017_S006	91
		U017_S008	91

Number	Part Name	Group	ID
D1366381	INSULATING SHEET:PULL OUT	U011_S002	210
D1366499	SHEET:GUIDE:BELT CLEANING	U007	137
D1366928	DUCT:DC FAN MOTOR:OPTICAL WRITING UNIT	U018	92
D1381289	JOINT:FUSING:ON-OFF	U015_S001	78
		U015_S002	78
D1495776	COVER:USB:SMALL	U017	92
D1495883	KEYTOP:MAIN SWITCH	U016	45
D1495884	COMPRESSION SPRING:KEYTOP	U016	46
D1582660	DC MOTOR:ASS'Y:2.64W	U005_S010	108
		U005_S012	108
		U005_S014	108
		U005_S016	108
		U005_S025	108
		U005_S027	108
		U005_S029	108
D1775686	PCB:DCSW	U016	47
D1791748	HOLDER:EXPOSURE GLASS:ASS'Y	U020	33
D1792631	GUIDE PLATE:SHIFT:REGISTRATION:UPPER	U011_S002	211
D1792642	HOLDER:SHIFT:BEARING:REAR	U011_S002	212
D1792643	CAM:REGISTRATION:GATE:RELEASE	U011_S002	213
D1792648	PLATE:ADJUSTING PIN	U011_S002	214
D1792684	REGISTRATION GUIDE:OPEN AND CLOSE	U011_S002	215
D1792691	TENSION SPRING:PRESSURE ROLLER	U011_S002	216
D1792698	COMPRESSION SPRING:SHIFT	U011_S002	217
D1792758	GEAR:Z41:TIMING PULLEY:T41	U011_S002	218
D1792763	CAM:REGISTRATION:TIMING	U011_S002	219
D1792768	TIMING PULLEY:S2M:30T	U011_S002	220
D1792793	ARM:TIMING ROLLER:FRONT	U011_S002	278
D1792795	ARM:TIMING ROLLER:INNER BACK	U011_S002	279
D1793376	LEVER:SAFETY SWITCH:TONER SUPPLY UNIT:ASS'Y	U005	109
D1794337	RING:WEB:CLEANING	U012_S001	196

Exclusive Parts

Number	Part Name	Group	ID
D1794820	CAM:ON-OFF	U013	178
D1794821	LINK:GATE PAWL:EXIT:ENTRANCE	U013	179
D1795923	PLATE:POWER SUPPLY CORD:INLET	U020	34
D1796412	SEAL:HOLDER:CLEANING BLADE:UPPER	U008_S001	55
D1796413	SEAL:HOLDER:CLEANING BLADE:FRONT LOWER	U008_S001	56
D1796414	SEAL:HOLDER:CLEANING BLADE:REAR LOWER	U008_S001	57
D1796415	SEAL:HOLDER:CLEANING BLADE:LOWER	U008_S001	58
D1796416	SEAL:HOLDER:CLEANING BLADE:BEHIND	U008_S001	59
D1796762	SYNCHRONOUS BELT:60S2M166	U014	30
D1915150	(Pro C7200SX/C7210SX/C7200X/C7210X):PCB:RFID-CPU	U005	110
D1941035	SEAL:HEAT PIPE:ROLLER:FAN:MM60	U018	93
D1941159	SLIDE RAIL:INTERMEDIATE TRANSFER	U019	38
D1941162	SLIDE RAIL:TRANSPORT UNIT	U019	39
D1941189	SEAL:OPTICAL WRITING UNIT:UPPER:LEFT	U019	40
D1941190	SEAL:OPTICAL WRITING UNIT:UPPER:RIGHT	U019	41
D1941223	SEAL:COVER:C/T BOX:SIROCCO	U017_S004	93
D1941224	HEXAGON HEAD SCREW:M4X10:WASHER:DIA9:ASS'Y	U017	94
D1941234	SUPPORTING PLATE:BRACKET:LOCK	U013	180
D1941265	COVER:C/T BOX:LEFT:ASS'Y	U017_S005	95
D1941282	SEAL:COVER:C/T BOX:MM120	U017_S004	96
		U017_S005	96
D1941371	STAY:MAIN:RIGHT UPPER:ASS'Y	U019	56
D1941428	TIGHTENER:DRIVE:DEVELOPMENT:ASS'Y	U015	79
D1941433	JOINT:DEVELOPMENT SLEEVE:DRIVE:MIDDLE	U015	80

Number	Part Name	Group	ID
	IVE:MIDDLE		
D1941436	TENSION SPRING:TIGHTENER:DRIVE:AROUND THE PHOTOCONDUCTOR	U015	81
D1941437	TIGHTENER:DEVELOPMENT SLEEVE	U015	82
D1941440	BRACKET:AUXILIARY:DRIVE:AROUND THE PHOTOCONDUCTOR	U015	94
D1941460	HOUSING:DRIVE:INTERMEDIATE TRANSFER:2	U007	138
D1941461	BOSS:INTERMEDIATE TRANSFER:GEAR	U007	139
D1941462	HEXAGON HEAD BOLT:DOUBLE SCREW:M4X10	U007	140
		U017_S004	97
		U017_S005	97
D1941466	DRUM STAY:DC MOTOR:DRIVE:PRESS FIT	U007	141
D1941480	HOLDER:DRIVEN ROLLER:FRONT	U007	142
D1941481	STOPPER:DRIVEN ROLLER:FRONT LEFT	U007	143
D1941482	BRACKET:DRIVEN ROLLER:FRONT	U007	144
D1941483	BRACKET:DRIVE WERE:TENSION SPRING	U007	145
D1941496	ENCODER:ASS'Y	U007	146
		U011_S002	221
		U013	181
		U015	83
D1941499	SEAL:PREVENTFENCE:8X395X3	U007	147
D1941501	BRACKET:DC BRUSHLESS MOTOR:ASS'Y	U015	84
D1941508	SHAFT:DRIVE:TRANSFER:ASS'Y	U015	85
D1941509	SHAFT:DRIVE:BELT CLEANING:ASS'Y	U015	86
D1941629	(Pro C7200SX/C7210SX/C7200X/C7210X):JOINT:DRIVE:ON-OFF:5ST	U015	87
D1941630	(Pro C7200SX/C7210SX/C7200X/C7210X):SHAFT:OUTPUT:ON-OFF:5S	U015	88

Exclusive Parts

Number	Part Name	Group	ID
	T:ASS'Y		
D1941634	COIL SPRING:JOINT:INTERMEDIATE TRANSFER:ON-OFF:5ST	U007	148
D1942165	DECAL:GRIP	U005_S005	111
		U005_S009_S002	111
		U005_S024	111
		U006	94
		U006_S010	94
		U006_S013	94
		U006_S016	94
		U006_S019	94
		U006_S022	94
		U006_S034	94
		U006_S037	94
		U006_S040	94
		U006_S043	94
D1942175	DC SOLENOID:ON-OFF:ASS'Y	U006	95
D1942191	DISCHARGE LAMP:LED ARRAY	U006_S011	96
		U006_S014	96
		U006_S017	96
		U006_S020	96
		U006_S023	96
		U006_S035	96
		U006_S038	96
		U006_S041	96
		U006_S044	96
D1942277	ELECTRIC POTENTIAL SENSOR	U006	97
D1942290	(Pro C7200SX/C7210SX/C7200X/C7210X):DC SOLENOID:ON-OFF:S:ASS'Y	U006	98
D1942439	SEAL:FRAME:APPLY:FRONT SIDE	U006_S012	145
		U006_S015	145
		U006_S018	145
		U006_S021	145
		U006_S024	145
		U006_S036	145
		U006_S039	145
		U006_S042	145

Number	Part Name	Group	ID
		U006_S045	145
D1942440	SEAL:FRAME:APPLY:REAR SIDE	U006_S012	146
		U006_S015	146
		U006_S018	146
		U006_S021	146
		U006_S024	146
		U006_S036	146
		U006_S039	146
		U006_S042	146
		U006_S045	146
D1942441	SEAL:FRAME:COATING BAR:FRONT SIDE	U006_S012	147
		U006_S015	147
		U006_S018	147
		U006_S021	147
		U006_S024	147
		U006_S036	147
		U006_S039	147
		U006_S042	147
		U006_S045	147
D1942442	SEAL:FRAME:COATING BAR:REAR SIDE	U006_S012	148
		U006_S015	148
		U006_S018	148
		U006_S021	148
		U006_S024	148
		U006_S036	148
		U006_S039	148
		U006_S042	148
		U006_S045	148
D1942443	SEAL:FRAME:COATING BAR:UPPER	U006_S012	149
		U006_S015	149
		U006_S018	149
		U006_S021	149
		U006_S024	149
		U006_S036	149
		U006_S039	149
		U006_S042	149
		U006_S045	149
D1942457	COVER:BEARING:OIL SUPPLY ROLLER	U006_S012	99

Exclusive Parts

Number	Part Name	Group	ID
	LER:FRONT	U006_S015	99
		U006_S018	99
		U006_S021	99
		U006_S024	99
		U006_S036	99
		U006_S039	99
		U006_S042	99
		U006_S045	99
D1942458	COVER:BEARING:OIL SUPPLY ROLLER:REAR	U006_S012	100
		U006_S015	100
		U006_S018	100
		U006_S021	100
		U006_S024	100
		U006_S036	100
		U006_S039	100
		U006_S042	100
D1942460	GEAR:19Z:RIGHT	U006_S012_S002	101
		U006_S015_S002	101
		U006_S018_S002	101
		U006_S021_S002	101
		U006_S024_S002	101
		U006_S036_S002	101
		U006_S039_S002	101
		U006_S042_S002	101
D1942475	STAY:APPLY:ASS'Y	U006_S012_S001	102
		U006_S015_S001	102
		U006_S018_S001	102
		U006_S021_S001	102
		U006_S024_S001	102
		U006_S036_S001	102
		U006_S039_S001	102
		U006_S042_S001	102
D1942485	SEAL:BLADE:APPLY	U006_S012	103
		U006_S015	103
		U006_S018	103

Number	Part Name	Group	ID
		U006_S021	103
		U006_S024	103
		U006_S036	103
		U006_S039	103
		U006_S042	103
		U006_S045	103
		D1942506	DRUM STAY:CLEANING UNIT
U006_S015	104		
U006_S018	104		
U006_S021	104		
U006_S024	104		
U006_S036	104		
U006_S039	104		
U006_S042	104		
D1942507	GROUND PLATE:OIL SUPPLY ROLLER:ASS'Y	U006_S012	105
		U006_S015	105
		U006_S018	105
		U006_S021	105
		U006_S024	105
		U006_S036	105
		U006_S039	105
		U006_S042	105
D1942531	TERMINAL:PAPER VOLUME SENSOR:COATING BAR:ASS'Y	U006_S011_S002	106
		U006_S014_S002	106
		U006_S017_S002	106
		U006_S020_S002	106
		U006_S023_S002	106
		U006_S035_S002	106
		U006_S038_S002	106
		U006_S041_S002	106
D1942537	COVER:PAPER VOLUME SENSOR:COATING BAR	U006_S011	107
		U006_S014	107
		U006_S017	107
		U006_S020	107
		U006_S023	107

Exclusive Parts

Number	Part Name	Group	ID
		U006_S035	107
		U006_S038	107
		U006_S041	107
		U006_S044	107
D1942539	SHEET:TERMINAL COVER	U006_S011_S002	108
		U006_S014_S002	108
		U006_S017_S002	108
		U006_S020_S002	108
		U006_S023_S002	108
		U006_S035_S002	108
		U006_S038_S002	108
		U006_S041_S002	108
		U006_S044_S002	108
D1942550	GEAR:CLEANING:DRUM:SERVICE	U006_S012_S002	119
		U006_S015_S002	119
		U006_S018_S002	119
		U006_S021_S002	119
		U006_S024_S002	119
		U006_S036_S002	119
		U006_S039_S002	119
		U006_S042_S002	119
		U006_S045_S002	119
D1942553	SLIDE RAIL:PCU:RIGHT	U006	109
D1942562	(Pro C7200SX/C7210SX/C7200X/C7210X):DECAL:PCU:TCRU:5ST	U006	110
D1942566	GUIDE PLATE:SLIDE RAIL:PCU:S:PEEN	U006	111
D1942669	GUIDE PLATE:CONNECTING:LARGE CAPACITY TRAY:UPPER	U011_S002	222
D1942786	GUIDE PLATE:CONNECTING:LARGE CAPACITY TRAY:LOWER	U011_S002	223
D1942860	GUIDE PLATE:VERTICAL TRANSPORT:RIGHT:PEEN	U011_S002	224
D1942880	TRANSPORT ROLLER:VERTICAL TRANSPORT:RIGHT:ENTRANCE:PRESS FIT	U011_S002	225
D1942883	TRANSPORT ROLLER:DUPLEX:RIGHT:NO.2:PRESS FIT	U011_S002	226

Number	Part Name	Group	ID
D1942927	STOPPER:LEVER:5MM	U001	56
D1942945	HOLDER:CAM:SHIFT	U011_S002	227
D1942963	SHIELD GLASS:CONTACT IMAGE SENSOR:HING	U011_S002_S002_S001	283
D1942968	BRACKET:LOCK	U011_S002	228
D1942971	BRACKET:SAFETY SWITCH	U011	229
D1942972	STAY:SAFETY SWITCH	U011	230
D1942999	DC STEPPER MOTOR:PAPER TRANSPORT MD:MM42:ASS'Y	U004	322
		U011_S002	231
		U013	182
D1943356	POSITIONING PLATE:MAIN POLE:ASS'Y	U006_S011	123
		U006_S014	123
		U006_S017	123
		U006_S020	123
		U006_S023	123
		U006_S035	123
		U006_S038	123
		U006_S041	123
		U006_S044	123
D1943482	BRACKET:DRIVE:TONER SUPPLY UNIT:ASS'Y	U005	112
D1943485	GEAR:IDLER:DRIVE:TONER SUPPLY UNIT:ASS'Y	U005	113
D1943495	STAND:INNER COVER:TONER SUPPLY	U005	114
D1943564	LEVER:BASE:TONER BANK	U005_S010	115
		U005_S012	115
		U005_S014	115
		U005_S016	115
		U005_S025	115
		U005_S027	115
		U005_S029	115
		U005_S031	115
D1943566	GRIP:LEVER:BASE:TONER BANK	U005_S010	116
		U005_S012	116
		U005_S014	116
		U005_S016	116
		U005_S025	116

Exclusive Parts

Number	Part Name	Group	ID
		U005_S027	116
		U005_S029	116
		U005_S031	116
D1943567	GUIDE:BASE:TONER BANK	U005	117
		U005_S010	117
		U005_S012	117
		U005_S014	117
		U005_S016	117
		U005_S025	117
		U005_S027	117
		U005_S029	117
		U005_S031	117
D1943587	GEAR:TORQUE LIMITER MECHANICAL CLUTCH:DRIVE:TONER BOTTLE	U005	118
D1943589	STOPPER:TONER BOTTLE	U005_S010	119
		U005_S012	119
		U005_S014	119
		U005_S016	119
		U005_S025	119
		U005_S027	119
		U005_S029	119
		U005_S031	119
D1943599	GEAR:RACK:Z12:Z35	U005_S010	120
		U005_S012	120
		U005_S014	120
		U005_S016	120
		U005_S025	120
		U005_S027	120
		U005_S029	120
		U005_S031	120
D1943603	GEAR:DRIVE:TONER BOTTLE:Z14	U005	121
D1943621	GEAR:DC MOTOR	U005_S010	122
		U005_S012	122
		U005_S014	122
		U005_S016	122
		U005_S025	122
		U005_S027	122

Number	Part Name	Group	ID
		U005_S029	122
		U005_S031	122
D1943622	GEAR:IDLER	U005_S010	123
		U005_S012	123
		U005_S014	123
		U005_S016	123
		U005_S025	123
		U005_S027	123
		U005_S029	123
		U005_S031	123
D1943623	GEAR:AGITATOR	U005_S010	124
		U005_S012	124
		U005_S014	124
		U005_S016	124
		U005_S025	124
		U005_S027	124
		U005_S029	124
		U005_S031	124
D1943627	TUBE:TONER:C	U005	125
D1943628	TUBE:TONER:M:REAR	U005	126
D1943629	TUBE:TONER:Y:REAR	U005	127
D1943630	DC MOTOR:DRIVE:TONER BOTTLE:ASS'Y:5.85W:BRUSH	U005_S010	128
		U005_S012	128
		U005_S014	128
		U005_S016	128
		U005_S018	128
		U005_S025	128
		U005_S027	128
		U005_S029	128
		U005_S031	128
D1943632	DC MOTOR:SLIDER:TONER BANK:ASS'Y:4.2W:BRUSH	U005_S010	129
		U005_S012	129
		U005_S014	129
		U005_S016	129
		U005_S025	129
		U005_S027	129
		U005_S029	129
		U005_S031	129

Exclusive Parts

Number	Part Name	Group	ID
D1943640	FEELER:SENSOR:ON OFF DETECTOR:TONER BANK:ASS'Y	U005_S001	130
		U005_S033	130
D1943642	SHAFT:FEELER:SENSOR:ON OFF DETECTOR:TONER BANK	U005	131
D1943643	TORSION SPRING:FEELER:ON OFF DETECTOR	U005	132
D1943653	BRACKET:INNER COVER:TONER BANK:PEEN	U005	177
D1943655	INNER COVER:TONER BANK:ASS'Y	U005_S002	133
		U005_S034	133
D1943660	DECAL:COLORED DISPLAY:TONER BANK:K	U005_S002	134
		U005_S034	134
D1943661	DECAL:COLORED DISPLAY:TONER BANK:C	U005_S002	135
		U005_S034	135
D1943662	DECAL:COLORED DISPLAY:TONER BANK:M	U005_S002	136
		U005_S034	136
D1943663	DECAL:COLORED DISPLAY:TONER BANK:Y	U005_S002	137
		U005_S034	137
D1943664	DECAL:OPERATE:TONER BOTTLE:4C	U005_S002	138
		U005_S034	138
D1943677	COVER:GEAR:TONER BOTTLE:ASS'Y	U005_S011	139
		U005_S013	139
		U005_S015	139
		U005_S017	139
		U005_S026	139
		U005_S028	139
		U005_S030	139
U005_S032	139		
D1943707	SLIDER:TONER BANK	U005_S010	169
		U005_S012	169
		U005_S014	169
		U005_S016	169
		U005_S025	169
		U005_S027	169
		U005_S029	169
U005_S031	169		
D1943708	SEAL:INNER:SLIDER:TONER BANK	U005_S010	170
		U005_S012	170

Number	Part Name	Group	ID
		U005_S014	170
		U005_S016	170
		U005_S025	170
		U005_S027	170
		U005_S029	170
		U005_S031	170
		U005_S010	171
		U005_S012	171
		U005_S014	171
		U005_S016	171
		U005_S025	171
		U005_S027	171
		U005_S029	171
		U005_S031	171
		U005_S010	140
D1943713	PLATE:SHAFT:CHUCK:TONER BOTTLE	U005_S012	140
		U005_S014	140
		U005_S016	140
		U005_S025	140
		U005_S027	140
		U005_S029	140
		U005_S031	140
D1943724	COMPRESSION SPRING:PRESSURE:SLIDER:TONER BANK	U005_S010	141
		U005_S012	141
		U005_S014	141
		U005_S016	141
		U005_S025	141
		U005_S027	141
		U005_S029	141
		U005_S031	141
		U005_S010	142
D1943726	SEAL:GEAR:DRIVE:TONER BOTTLE	U005	142
D1943752	COVER:GEAR:TONER BOTTLE:RIGHT UPPER	U005_S011	143
		U005_S013	143
		U005_S015	143
		U005_S017	143
		U005_S026	143
		U005_S028	143

Exclusive Parts

Number	Part Name	Group	ID
		U005_S030	143
		U005_S032	143
D1943753	COVER:GEAR:TONER BOTTLE:RIGHT LOWER	U005_S011	144
		U005_S013	144
		U005_S015	144
		U005_S017	144
		U005_S026	144
		U005_S028	144
		U005_S030	144
		U005_S032	144
D1943754	COVER:GEAR:TONER BOTTLE:LEFT LOWER	U005_S011	145
		U005_S013	145
		U005_S015	145
		U005_S017	145
		U005_S026	145
		U005_S028	145
		U005_S030	145
		U005_S032	145
D1943765	TORSION SPRING:SAFETY SWITCH:TONER SUPPLY UNIT	U005	146
D1943767	MAGNET CATCH PLATE:FRONT UPPER	U005	147
		U005_S035	147
D1943768	BRACKET:SAFETY SWITCH:INNER COVER:TONER SUPPLY	U005	148
D1943847	INNER COVER:INTERMEDIATE TRANSFER:PCU	U007	149
D1943860	INNER COVER:INTERMEDIATE TRANSFER:LEFT	U007	150
D1943861	INNER COVER:INTERMEDIATE TRANSFER:RIGHT	U007	151
D1944068	GUIDE PLATE:FUSING EXIT:LOWER:CONNECTING:ASS'Y	U012_S003	197
D1944105	FEELER:CAM:PRESSURE:REAR	U012_S003	198
D1944106	JOINT:CAM:PRESSURE	U012_S003	199
D1944115	SERVICE PARTS:PICKOFF PAWL:PRESSURE ROLLER:ASS'Y	U012_S003_S004	200
D1944143	SHAFT:SEPARATION SUB-UNIT	U012_S003_S003	201
D1944158	FUSING ENTRANCE GUIDE PLATE:	U012_S003	202

Number	Part Name	Group	ID
	UPPER:FIBER		
D1944172	BRAKE:WEB	U012_S001	203
D1944175	DISCHARGE BRUSH:HEAT ROLLER	U012_S003	204
D1944232	LEVER:ON-OFF:A:PEEN	U012_S003_S003	206
D1944234	LEVER:ON-OFF:B:PEEN	U012_S003_S003	207
D1944242	CAM:ON-OFF	U012_S003_S003	208
D1944243	FEELER:SENSOR:ON-OFF	U012_S003_S003	209
D1944279	GUIDE PLATE:SEPARATION SUB-UNIT:PRESSURE	U012_S003_S004	210
D1944289	SHAFT:CAM	U012_S003_S003	211
D1944293	PLATE:LEVER:PRESSURE	U012_S003	212
D1944302	HOLDER:GEAR:ON-OFF	U012_S003	213
D1944315	SUPPORT SHAFT	U012_S003	214
D1944325	COVER:ROLLER:POLISH:PRINTING	U012_S002	215
D1944438	TRANSPORT ROLLER:HEAT PIPE:DIA50.4:COATING	U013_S001	183
D1944536	GUIDE:REVERSE EXIT:RIGHT:PEEN	U013	184
D1944614	TRANSPORT ROLLER:CONNECTING:DRIVE:EXIT	U013	185
D1944652	BRACKET:DRAWER:PAPER EXIT UNIT	U013	186
D1944653	BRACKET:DRAWER:PAPER EXIT UNIT:MAIN	U013	187
D1944712	FLAT CONVEYER BELT:COOLING	U013_S001	188
D1944718	TRANSPORT ROLLER:DUPLEX:NO.1:PRESS FIT	U013	189
D1944719	TRANSPORT ROLLER:DRIVE:DUPLEX:KNOB	U013	190
D1944742	STAY:LEFT UPPER	U013	191
D1944744	GUIDE:REVERSE EXIT:LEFT	U013	192
D1944759	BRACKET:LOCK:EXIT	U011_S002	232
		U013	193
D1944804	RUBBER FOOT:TM-96-1	U013	194
D1944810	PLATE:OPEN AND CLOSE:DUPLEX:LEFT LOWER:PEEN	U013	195

Exclusive Parts

Number	Part Name	Group	ID
D1944905	TRANSPORT ROLLER:DRIVEN:PRESS FIT	U013	196
D1945906	BRACKET:POWER PACK	U016	60
D1945914	BRACKET:SAFETY SWITCH	U016	48
D1945926	BRACKET:CONNECTOR:LARGE CAPACITY TRAY	U016	49
D1945927	BRACKET:CONNECTOR:FIN	U016	50
D1945932	COVER:DSCW	U016	51
D1945934	COVER:DSCW	U001	58
D1945941	STAY:SLIDE RAIL:LEFT FRONT	U004	323
D1946011	COVER:INTERMEDIATE TRANSFER:BLACK	U007	152
D1946012	COVER:INTERMEDIATE TRANSFER:BLACK:1	U007	153
D1946031	TENSION SPRING:ROLLER:DRIVEN:NO.5:RIGHT	U007	154
D1946032	TENSION SPRING:ROLLER:DRIVEN:NO.5:LEFT	U007	155
D1946033	TENSION SPRING:SLIDER:SHAFT:NO.5	U007	156
D1946051	BRACKET:PLAIN SHAFT BEARING:ON-OFF:NO.5:REAR	U007	157
D1946052	ROLLER:DRIVEN:INTERMEDIATE TRANSFER:NO.5	U007	158
D1946054	BRACKET:TENSION SPRING:ROLLER:NO.5:FRONT	U007	231
D1946055	PLAIN SHAFT BEARING:SHAFT:ON-OFF:NO.5:LEFT	U007	159
D1946058	COLLAR:ROLLER:DRIVEN:INTERMEDIATE TRANSFER:NO.5	U007	160
D1946073	PLAIN SHAFT BEARING:SLIDER:ON-OFF:BLACK	U007	161
D1946088	BRACKET:ROLLER:DRIVEN:NO.5:REAR	U007	162
D1946089	SHAFT:ON-OFF:DRIVE:NO.5:INTERMEDIATE TRANSFER	U007	163
D1946090	SHAFT:CAM:INTERMEDIATE TRANSFER:BLACK	U007	164

Number	Part Name	Group	ID
D1946091	PLAIN SHAFT BEARING:SHAFT:ON-OFF:NO.5:RIGHT	U007	165
D1946092	SHAFT:SLIDE:ON-OFF:INTERMEDIATE TRANSFER:NO.5	U007	166
D1946098	HOOK:LEVER:ON-OFF:BLACK:REAR	U007	167
D1946099	HOOK:LEVER:ON-OFF:BLACK:FRONT	U007	168
D1946103	BRACKET:MOTOR:ON-OFF:INTERMEDIATE TRANSFER	U007	169
D1946112	COVER:INTERMEDIATE TRANSFER:NO.4	U007	170
D1946125	ROLLER:FRONT:INTERMEDIATE TRANSFER:RIGHT	U007	171
D1946142	BRACKET:PLAIN SHAFT BEARING:ON-OFF:NO.5:FRONT	U007	172
D1946144	BRACKET:ROLLER:DRIVEN:NO.5:FRONT	U007	173
D1946147	SPRING PLATE:ELECTRODE:OPPOSED:TRANSFER ROLLER	U007	174
D1946154	TIMING PULLEY:CAM:ON-OFF:INTERMEDIATE TRANSFER:BLACK	U007	176
D1946160	SPRING PLATE:EARTH:ROLLER:NO.5:ASS'Y	U007	177
D1946176	CAM:ON-OFF:BLACK:AUTOMATIC	U007	178
D1946177	DC STEPPER MOTOR:DIA42:24V	U007 U015	179 89
D1946182	PLATE:ROLLER:DRIVEN:BLACK:RIGHT	U007	180
D1946183	LEVER:ON-OFF:BLACK:RIGHT	U007	181
D1946191	JOINT:INTERMEDIATE TRANSFER:ON-OFF:5ST	U007	182
D1946201	BRUSH ROLLER:APPLY:ASS'Y	U009_S001	40
D1946207	SHEET:GREASE:HOLDER:TRANSFER ROLLER	U007	183
D1946228	ROLLER:POSITIONING CONTROL:BELT	U007	184
D1946229	GROUND PLATE:VACUUM:SENSOR	U011_S001	233

Exclusive Parts

Number	Part Name	Group	ID
	R:SPRING PLATE		
D1946231	ROLLER:OPPOSED:TRANSFER:PA PER:ASS'Y	U007	215
D1946236	HEXAGON HEAD SCREW:WASHE R:M4X10:ASS'Y	U007_S004	185
		U007_S005	185
D1946301	SEPARATION GUIDE:ASS'Y	U009_S001_S001	41
D1946396	GROUND PLATE:ROLLER:DRIVEN: LEFT	U007	186
D1946420	POSITIONING SENSOR:SCALE:INT ERMEDIATE TRANSFER:ASS'Y	U007	187
D1946428	TERMINAL:INTERMEDIATE TRANS FER:5ST	U007	188
D1946436	CASE:OPPOSED:TRANSFER ROLL ER:FRONT	U007	189
D1946439	CASE:OPPOSED:TRANSFER ROLL ER:REAR	U007	190
D1946440	ROLLER:TRANSFER:FRONT	U007	191
D1946442	SLIDER:ON-OFF:NO.5:REAR	U007	192
D1946444	SLIDER:ON-OFF:NO.5:FRONT	U007	193
D1946449	TENSION SPRING:PLATE:INTERM EDIATE TRANSFER	U007	194
D1946453	BRACKET:ROLLER:TRANSFER:LE FT REAR:ASS'Y	U007	195
D1946454	BRACKET:ROLLER:TRANSFER:LE FT FRONT:ASS'Y	U007	196
D1946455	BRACKET:MOTOR:ON-OFF:INTER MEDIATE TRANSFER:BLACK	U007	197
D1946457	SHAFT:CAM:INTERMEDIATE TRAN SFER:BLACK:2	U007	198
D1946459	TENSION SPRING:ON-OFF:BLACK: LEFT	U007	199
D1946467	TIGHTENER:INTERMEDIATE TRAN SFER:ASS'Y	U007	200
D1946473	TENSION SPRING:SLIDER:ON-OFF :BLACK	U007	201
D1946475	GRIP:ON-OFF:INTERMEDIATE TRA NSFER	U007	202
D1946499	GROUND PLATE:ROLLER:DRIVEN:	U007	203

Number	Part Name	Group	ID
	RIGHT		
D1946504	TRANSPORT SCREW:PCU:MAIN:A SS'Y	U010_S001	78
		U010_S007	78
D1946521	TONER OUTLET SUB-UNIT:PCU:M AIN:5ST:ASS'Y	U010_S001	79
		U010_S007	79
D1946528	(Pro C7200S/C7210S/C7200SL/C72 00/C7200e/C7210):CAP:TONER OU TLET SUB-UNIT	U010	80
D1946656	COVER:GEAR:SIDE PLATE:PEEN	U010	81
D1946923	DUCT:HEAT PIPE:FUSING:SIDE	U018	94
D1946924	COVER:HEAT PIPE:THERMOPILE	U018	95
D1946931	PANEL MOUNT:THERMOPILE	U018	96
D1946936	BLOCK AIR MOVEMENT PLATE:TH ERMOPILE	U018	97
D1946937	SEAL:THERMOPILE:HEAT PIPE	U018	98
D1946957	DUCT:FRONT:VACUUM:CONNECTI NG:HEAT SINKER	U018	99
D1946958	DUCT:REAR:VACUUM:CONNECTIN G:HEAT SINKER	U018	100
D1946997	SEAL:DUCT:EXHAUST:HEAT PIPE: LONG	U018	101
D1946998	SEAL:DUCT:EXHAUST:HEAT PIPE: SHORT	U018	102
D1947000	DUCT:EXHAUST:HEAT PIPE:ROLL ER:RIGHT	U018	103
D1947001	DUCT:EXHAUST:HEAT PIPE:ROLL ER:LEFT	U018	104
D1947003	SEAL:DUCT:HEAT PIPE:ROLLER:U PPER	U018	105
D1947006	SEAL:DUCT:HEAT PIPE:ROLLER:L OWER	U018	106
D1947022	DUCT:EXHAUST:ABSORB DUST S UB-UNIT:FRONT	U018	107
D1947030	DUCT:EXHAUST:ABSORB DUST S UB-UNIT:REAR	U018	108
D1947033	(Pro C7200S/C7210S/C7200SL/C72 00/C7200e/C7210):SHEET:RELAY D UCT:EXHAUST:ABSORB DUST SU	U018	109

Exclusive Parts

Number	Part Name	Group	ID
	B-UNIT		
D1947055	FILTER:DUCT:MM120	U017	98
D1947084	SEAL:DUCT:EXHAUST:ABSORB D UST SUB-UNIT:REAR	U018	110
D1947110	OZONE FILTER:C/T BOX	U017	99
D1947136	DUCT:VACUUM:HEAT SINKER:C/T BOX	U017	100
D1947138	DUCT:C/T BOX:FAN:MM120:UPPER	U017	101
D1947140	DUCT:C/T BOX:FAN:MM120:LOWE R	U017	102
D1947141	SEAL:DUCT:C/T BOX:MM120	U017	103
D1947152	FAN:PCU:UPPER FRONT:ASS'Y	U018_S001	111
		U018_S002	111
		U018_S003	111
		U018_S004	111
D1947158	SEAL:OPTICAL WRITING UNIT:LO WER:M:K	U019	42
D1947159	SEAL:OPTICAL WRITING UNIT:LO WER:S	U019	43
D1947165	SHEET:DUCT:FUSING:EXIT:EXHAU ST	U018	112
D1947168	COVER:NET:FUSING:VACUUM	U013	197
D1947169	BRACKET:FUSING:VACUUM:FAN	U013	198
D1947172	SEAL:OPTICAL WRITING UNIT:LO WER:5ST	U019	44
D1947175	SHEET:DUCT:OZONE UNIT:C/T BO X	U017	104
D1947176	SHEET:DUCT:OZONE UNIT:C/T BO X:UPPER	U017	105
D1947181	SEAL:DUCT:EXIT:GUIDE PLATE:EN TRANCE	U018	113
D1947182	SEAL:DUCT:EXIT:GUIDE PLATE:IN NER BACK	U018	114
D1947183	DUCT:EXIT:GUIDE PLATE:ENTRAN CE:COVER	U018	115
D1947184	DUCT:EXIT:GUIDE PLATE:EXHAUS T	U018	116
D1947186	SEAL:DUCT:EXIT:GUIDE PLATE:FA	U018	117

Number	Part Name	Group	ID
	N		
D1947188	DUCT:EXIT:GUIDE PLATE:ENTRAN CE:LEFT	U018	118
D1947189	DUCT:EXIT:GUIDE PLATE:ENTRAN CE:RIGHT	U018	119
D1947227	SEAL:HEAT PIPE:ROLLER:FAN:MM 80	U018	120
D1947250	LIQUID COOLING:FAN:ASS'Y	U017_S002	106
D1947264	SEAL:DUCT:COOLING:GUIDE PLAT E:1	U018	121
D1947265	SEAL:DUCT:COOLING:GUIDE PLAT E:2	U018	122
D1947266	SEAL:DUCT:COOLING:GUIDE PLAT E:3	U018	123
D1947346	DC MOTOR:RISE:TANDEM LCT:AS S'Y:19.2W:BRUSH	U004	324
D1947380	DECAL:SWITCH:HEATER:INTERME DIATE TRANSFER	U014	31
D1947469	GUIDE PLATE:FEED PAPER AGAIN :ASS'Y	U004_S008	325
D1947552	SIDE PLATE:TANDEM LCT:LEFT SI DEWAYS	U004_S002	326
D1947635	ARM:END FENCE:LOCK	U004_S005	328
D1947716	COVER:MAIN:LEFT:ASS'Y	U001_S005	59
D1947720	SEAL:EXTERIOR:EXIT:GUIDE PLAT E:ENTRANCE	U001_S005	60
D1947761	(Pro C7200S/C7210S/C7200SL/C72 00/C7200e/C7210):INNER COVER:5 ST	U001	61
D1947889	(NA/AA/TW/KOR):(CHN[Pro C7200/ C7210/C7200X/C7210X]):DECAL:DC :MAIN SWITCH	U020	35
D1948515	LIQUID COOLING:PT:ASS'Y	U017_S003	107
D1948520	(Pro C7200SX/C7210SX/C7200X/C7 210X):SERVICE PARTS:DECAL:NE ON_Y:ASS'Y	U006	121
D1948523	(Pro C7200SX/C7210SX/C7200X/C7 210X):SERVICE PARTS:DECAL:NE	U006	120

Exclusive Parts

Number	Part Name	Group	ID
	ON-P:ASS'Y		
D1948524	(Pro C7200SX/C7210SX/C7200X/C7210X):SERVICE PARTS:DECAL:IV-R:ASS'Y	U006	126
D1951270	COVER:C/T BOX:UPPER	U017	108
D2033505	(Pro C7200SX/C7210SX/C7200X/C7210X):LEVER:TONER BOTTLE:5ST	U005	149
D2033507	(Pro C7200SX/C7210SX/C7200X/C7210X):NOZZLE:TONER SUPPLY	U005	150
D2033508	(Pro C7200SX/C7210SX/C7200X/C7210X):COVER:HOLDER:FRONT:TONER BOTTLE:5ST	U005	151
D2033509	(Pro C7200SX/C7210SX/C7200X/C7210X):INSULATING SHEET:PCB:RF ID:CPU	U005	152
D2033512	(Pro C7200SX/C7210SX/C7200X/C7210X):GUIDE:TONER BOTTLE:5ST	U005	153
D2033515	(Pro C7200SX/C7210SX/C7200X/C7210X):GUIDE:FRONT:TONER BOTTLE:5ST	U005	154
D2033516	(Pro C7200SX/C7210SX/C7200X/C7210X):GUIDE:UPPER:TONER BOTTLE:5ST	U005	155
D2033521	(Pro C7200SX/C7210SX/C7200X/C7210X):DRIVE UNIT:TONER BOTTLE:5ST:ASS'Y	U005_S018	156
D2033525	(Pro C7200SX/C7210SX/C7200X/C7210X):COVER:DRIVE UNIT:TONER BOTTLE:5ST	U005_S018	157
D2033528	(Pro C7200SX/C7210SX/C7200X/C7210X):COIL SPRING:DRIVE SUB-UNIT:TONER SUPPLY UNIT	U005_S018	158
D2033530	(Pro C7200SX/C7210SX/C7200X/C7210X):DECAL:COLORED DISPLAY:TONER BANK:S	U005	159
D2033531	(Pro C7200SX/C7210SX/C7200X/C7210X):DECAL:OPERATE:TONER BOTTLE:5ST	U005	160

Number	Part Name	Group	ID
D2033540	(Pro C7200SX/C7210SX/C7200X/C7210X):COIL SPRING:LEVER:TONER SUPPLY UNIT	U005	161
D2033710	DECAL:TCRU:PUMP:5ST	U005_S005	162
		U005_S009_S002	162
		U005_S024	162
D2037012	DUCT:UPPER:EXHAUST:DEVELOPMENT UNIT:S	U018	124
D2037013	DUCT:LOWER:EXHAUST:DEVELOPMENT UNIT:S	U018	125
D2051082	HEXAGON HEAD SCREW:ROUND POINT:M3X6:BK	U012_S003_S003	228
D2236231	DC SOLENOID:LOCK:ASS'Y	U004	329
D2236233	DC SOLENOID:COUPLING:ASS'Y	U004	330
D2236722	DC SOLENOID:END FENCE:FRONT:ASS'Y	U004_S001	331
D2236732	DC SOLENOID:END FENCE:REAR:ASS'Y	U004_S001	332
D2395625	(CHN):PCB:DDR3-DIMM:RC-A:4GB:ASS'Y	U017	124
D2416290	LED:RED	U004	333
		U011_S002	234
		U013	199
D2557798	DECAL:BLUETOOTH	U020	36
D2582402	OIL SUPPLY ROLLER:ASS'Y	U006_S012	117
		U006_S015	117
		U006_S018	117
		U006_S021	117
		U006_S024	117
		U006_S036	117
		U006_S039	117
		U006_S042	117
		U006_S045	117
D2583868	DC STEPPER MOTOR:MM42:1.0A:3.60V	U007	204
D2583910	FAN:MM60X15	U011_S001	235
D2615140	PCB:SDCU:ASS'Y	U017_S007	110
		U017_S009	110

Exclusive Parts

Number	Part Name	Group	ID
D2702622	TENSION SPRING:48N	U011_S002	236
D2702632	BRACKET:HOOK:COIL SPRING:REAR:PEEN	U011_S002	237
D2702636	GUIDE PLATE:SHIFT:REGISTRATION:LOWER	U011_S002	238
D2702637	COLOR:4M	U011_S002	239
D2704670	BRACKET:MAGNET CATCH:DUPLICATE	U013	272
D2704933	HOOK:LEVER:GUIDE PLATE:ASS'Y	U011_S002	240
		U013	200
D2706541	SHAFT:DRIVE:FEED:ASS'Y	U004	364
D2706678	COVER:CUSHION	U004_S001	335
D2706721	COVER:GUARD:HARNESS	U004_S002	336
D3551333	SHIELDING PLATE:SAFETY SWITCH:DOOR	U005	164
		U005_S035	164
D3553810	BRACKET:DETENT:RIGHT:ASS'Y	U004_S006	338
D3553828	HOLDER:STAY:GUIDE PLATE	U004	339
D3553840	BRACKET:DETENT:ASS'Y	U004_S007	340
D3553844	SHOE:HANDLE:RELEASE	U004	341
D3553858	TORSION SPRING:GUIDE PLATE:16N	U004	342
D3AK3006	(CHN):MAIN:ASS'Y	U020_S005	58
		U020_S010	58
		U020_S015	58
		U020_S020	58
D3BN5205	PCB:D3BN-05:ASS'Y	U017	111
D3DK7700	DECAL:POWER SUPPLY UNIT:N:DESIGN SKETCH	U017	112
		U019	58
D4342635	TENSION SPRING:POLARIZATION POWL:PRESSURE	U013	201
D4573963	CUSHION:COVER:GUIDE PLATE	U004_S002_S001	370
D5161261	COVER:LED	U004	343
D5161453	DIFFUSION PLATE:LED	U004	344
D5161560	SPACER:SHAFT:LINK	U013	202
D5165200	PCB:LED:ASS'Y	U004	345
D5884113	KNOB:TURN	U013	203
D6061114	COMPRESSION SPRING:EXIT:DRIVEN	U013_S001	204

Number	Part Name	Group	ID
D6882142	PLAIN SHAFT BEARING:6X8X10	U007	205
D7065660	DC STEPPER MOTOR:MM42:L30	U013	205
D7101333	SHIELDING PLATE:OPEN AND CLOSE:SENSOR:DOOR	U001	62
G0049668	GREASE:KS660:SHIN-ETSU	SPECIAL TOOLS	14
G0143291	SNAP RING - PICK UP	U007	206
G0602296	BALL BEARING:8X16X5MM	U011_S002	241
G0603293	SPACER:6.1X8.5X0.5	U011_S002	242
		U013	267
G0603602	CAP:BOTTLE	U010_S004	82
G0603945	TIMING BELT - TRANSFER BELT DRIVE	U015	90
G0703088	SPACER:DEVELOPMENT ROLLER	U011_S002	297
G1021193	HEXAGONAL BOLT:DOUBLE:SCREW:ROUND POINT:M3X7	U012_S003	216
		U012_S003_S003_S001	216
G1073834	RIVET - 2.0	U007	207
		U011_S002	243
		U013	206
		U015	91
G1781134	HEXAGONAL BOLT:M20X70	U019	45
G1781141	HOLDER:STAND:M20	U020	38
G1781602	ARM:SAFETY SWITCH:UPPER:ASS'Y	U011	244
G1783593	TENSION SPRING:STOPPER	U013	207
G1784018	CASE:COATING BAR:TRANSFER ROLLER	U009_S001	42
G1784651	SUPPORTING PLATE:GUIDE PLATE	U013	208
G1784746	SLIDE RAIL:EXIT	U019	46
G1784794	SPRING:TENSIONER:EXIT	U013	209
G1784798	SPRING:SWITCHBACK:GATE	U013	210
G1784808	BRACKET:PRESSURE:ROLLER	U011_S002	245
		U013	211
G1784813	STOPPER:LEFT LOWER:FRAME	U013	212
G1784817	SPRING:PRESSURE:ROLLER:DUPLEX	U011_S002	246
		U013	213
G1784818	SPRING:PULL OUT:LOCK:EXIT	U011_S002	247

Exclusive Parts

Number	Part Name	Group	ID
		U013	214
G1784828	STAY:LOCK:LEVER:LEFT LOWER	U013	216
G1784866	COMPRESSION SPRING:EXIT:CONNECTOR	U011	248
		U019	53
G1784890	SPRING PLATE:DUPLEX:GUIDE:LOWER	U013	218
G1784895	SHEET:DUPLEX:SPRING PLATE	U013	219
G1784900	COVER:DC STEPPER MOTOR:MM56	U011_S002	249
G1784908	COIL SPRING:LEFT LOWER:LOCK	U013	220
G1784909	SCREW:TRANSPORT	U013	221
G1784916	SCREW:ROUND POINT	U013	222
G1785029	GEAR:DECURA:Z20/M1	U004	346
G1786352	GUIDE PLATE:ENCODER	U007	209
		U011_S002	250
		U013	223
		U015	92
G1786392	HOUSING:LOWER:COVER	U007	210
G1786393	SLEEVE:WIRE:LOWER:COVER	U007	211
G1786394	WIRE:STOPPER:LOWER:COVER	U007	212
G1786621	COVER:RELEASE PLATE:BLADE	U008_S001	60
G1786679	JOINT:DRIVE:BRUSH ROLLER	U012_S003	217
G1786767	COATING BAR:TRANSFER ROLLER	U009_S001	43
G1787453	ARM:ON-OFF:TRANSPORT ROLLER	U011_S002	251
		U013_S002	224
G1787515	CONNECTOR GUIDE PIN:CONNECTOR	U011	252
		U019	59
G1787618	PLATE:FIX:BAND	U011_S002	253
		U013	225
G1787633	HOOK:GUIDE PLATE:DUPLEX:ASSY	U011_S002	254
G1787656	TENSION SPRING:TENSIONER	U013	226
G1787660	PRESSURE ROLLER:TRANSPORT ROLLER	U011_S002	255
G1787664	SPACER	U011_S002	256
G1787694	COVER:DC STEPPER MOTOR:MM42	U011_S002	257

Number	Part Name	Group	ID
G1787743	BOSS:POSITIONING PIN:TRANSPORT UNIT:NO.1	U011_S002	258
		U013	227
		U019	47
G1787744	BOSS:POSITIONING PIN:TRANSPORT UNIT:NO.2	U011_S002	259
		U013	228
		U019	48
G1787790	HOLDER:ROLLER:ON-OFF	U013_S001	229
G1787793	SCREW:REGISTRATION:FIX	U011	260
G1787819	SEAL:CAP:COLLECTION BOTTLE	U010_S004	83
G1788350	WRENCH:HEXAGONAL BOLT	U020	39
GA082007	PLAIN SHAFT BEARING:4XDIA6DIA8	U012_S003_S003	218
GA082010	BUSHING:DIA6:DIA10:9	U010	84
GA143003	SCREW:MM5:2.5MM	U011_S001	261
GW010007	PHOTO REFLECTION SENSOR:EXIT	U004	347
		U004_S010	347
		U004_S011	347
		U011_S001	262
		U011_S002	262
		U013	230
		U013_S004	230
GW010009	DENSITY SENSOR	U007	213
GW020022	PHOTOINTERRUPTOR:LG2A24BL1	U005	165
		U005_S010	165
		U005_S012	165
		U005_S014	165
		U005_S016	165
		U005_S025	165
		U005_S027	165
		U005_S029	165
		U005_S031	165
		U007	214
		U010	85
		U011_S002	263
		U012	219
		U012_S003	219
		U015	93
GW020024	PHOTOINTERRUPTOR:LG2A24BL1	U004_S001	366

Exclusive Parts

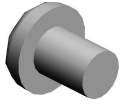
Number	Part Name	Group	ID
	:GF	U004_S002	366
GW020026	PHOTOINTERRUPTOR:LG2A24RL1 G	U013	266
GW230008	TONER END SENSOR	U005_S003	166
		U005_S006	166
		U005_S007	166
		U005_S008	166
		U005_S009_S001	166
		U005_S010	166
		U005_S012	166
		U005_S014	166
		U005_S016	166
		U005_S019	166
		U005_S020	166
		U005_S021	166
		U005_S022	166
		U005_S025	166
		U005_S027	166
		U005_S029	166
		U005_S031	166
H0722216	COMPRESSION SPRING	U013_S001	232
J0155505	DRAWER:CONNECTOR:USED DEV ELPER:PLUG	U006_S011	118
		U006_S014	118
		U006_S017	118
		U006_S020	118
		U006_S023	118
		U006_S035	118
		U006_S038	118
		U006_S041	118
		U006_S044	118
M0447744	BRACKET:COVER:UPPER MIDDLE: REAR	U001	63
M0447745	BRACKET:COVER:UPPER MIDDLE: FRONT	U001	64
M0447746	COVER:UPPER REAR	U001	65
M0447747	CAP:COVER:REAR	U001	66
M0774862	TRANSPORT ROLLER:DRIVEN:DU PLEX:DIA18X2	U004	348
		U011_S002	264

Number	Part Name	Group	ID
		U013	235
		U014	32
M0B14675	GATE PAWL:EXIT:REVERSE	U013	238
M0B15888	HARNESS:DEBUG:MONITOR:SERV ICE	SPECIAL TOOLS	19
M0B17680	TIMING PULLEY:TRANSPORT ROL LER:PEEN	U013	256
M0BH5405	PCB:BCU:ASS'Y	U016	63
M0BH5702	PCB:IMAGE PROCESSING UNIT	U017	113
M0BH7745	COVER:UPPER MIDDLE	U001	75
M0BH8881	(Pro C7200):MODEL NAME PLATE: PRO_C7200	U020	40
M0BH9590	(Pro C7200/C7200e/C7200X/C7210/ C7210X):NV-RAM	U017	114
M0BJ5728	OPERATION SUB-UNIT:KEY_BOX:A SS'Y	U002_S001	22
M0BJ5732	PCB:MAIN:COM:ASS'Y	U002_S001_S001	24
M0BJ5780	DISPLSY:TM170-RIX01	U002	16
M0BJ8881	(Pro C7210):MODEL NAME PLATE: PRO_C7210	U020	41
M0BJ9510	OPC DRUM DIA60	U006	154
M0BK5789	(Pro C7200/C7200e/C7200X):PCB:A	U017	122
M0BK5790	(Pro C7210/C7210X):PCB:B	U017	123
M0BK8881	(Pro C7200X):MODEL NAME PLATE :PRO_C7200X	U020	42
M0BL8881	(Pro C7210X):MODEL NAME PLATE :PRO_C7210X	U020	43
M0EB1128	PLAIN SHAFT BEARING:POSITIONI NG PIN:FUSING:PRESS FIT	U019	61
M0EB2524	GUIDE PLATE:SLIDE RAIL:PCU	U006	153
M0EB4343	ROLLER:PLATE	U012_S001	233
M0EB4398	DUCT:PRESSURE:CONNECTING:A	U012	141
M0EB4607	COLLAR:6X10X4	U013	276
M0EB4667	GUIDE PLATE:EXIT:GATE	U013	273
M0EB4670	RADIAL BALL BEARING:REGISTRA TION:DRIVEN:FRONT	U011_S002	289
		U013	268
M0EB4671	RADIAL BALL BEARING:REGISTRA TION:DRIVEN:REAR	U011_S002	290
		U013	269

Exclusive Parts

Number	Part Name	Group	ID
M0EB4681	COMPRESSION SPRING:DRIVE:REVERSE:EXIT_	U013	265
M0EB5907	BRACKET:BASE:ELECTRIC POTENTIAL SENSOR:P4	U016	65
M0EB7873	COVER:TONER SUPPLY:UPPER:ASS'Y	U001_S007	79
M0EB7960	DOOR:TONER SUPPLY	U001	80
M1957741	COVER:UPPER FRONT	U001	67
M2051763	SEAL:DOOR:CUSHION:3:(C7200+/C7210+)	U017	116
M2054538	BRACKET:GATE PAWL:REVERSE EXIT	U013	239
M2054770	DC SOLENOID:GATE PAWL:SWITCHBACK:ASS'Y	U013	240
M2057305	REGISTRATION ROLLER:GATE:ASS'Y	U011_S002_S003	267
M2057311	DISC:GATE:REGISTRATION:HOME POSITION SENSOR	U011_S002	268
M2057338	COVER:DC STEPPER MOTOR:MM56XL76	U011_S002	269
		U013	241
M2057492	LED:LENS:PAPER JAM	U004	349
M2057496	LED HOLDER:PAPER JAM:TRANSPORT SUB-UNIT	U004	350
M3791627	TRANSPORT ROLLER:DRIVEN	U013	242
M5001861	TUBE TYPE LAMP:ASS'Y	U020	44
VSSG9002	FLUOTRIBO MG GREASE : 100G	SPECIAL TOOLS	15

Standard Parts



03130040N
SCREW:M3X4



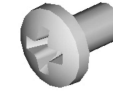
03130080N
PAN HEAD SCREW:M3X8



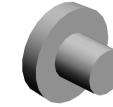
03130120N
PAN HEAD SCREW:M3X12



03140180N
PAN HEAD SCREW:M4X18



03520040N
SCREW M2X4



03530030N
SCREW:M3X3



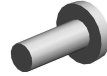
03530040N
SCREW - M3X4



03530050N
SCREW-M3X5



03530060N
BIND SCREW - M3X6



03530080N
SCREW:M3X8



03530100N
SCREW-M3X10



03540040N
SCREW-M4X4



03540060N
SCREW-M4X6



03540080N
SCREW-M4X8



03540400N
SCREW:M4X40



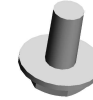
03540450N
SCREW:M4X45



03603005N
SCREW - M3X5



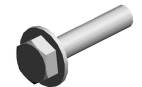
03603005P
SCREW:M3X5



03603006N
SCREW - M3X6



03603008N
SCREW:M3X8



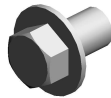
03603014N
SCREW - M3X14



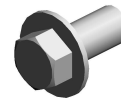
03603020N
SCREW:M3X20



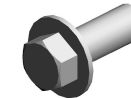
03603030N
SCREW:M3X30



03604006N
SCREW - M4X6



03604008N
SCREW - M4X8



03604010N
SCREW:M4X10



03604014N
SCREW - M4X14



03604016N
SCREW:M4X16

Standard Parts



03604020N
SCREW:M4X20



03604030N
SCREW:M4X30



04340060N
PAN SELF-TAPPING SCREW:
M4X6



04340200N
PAN SELF-TAPPING SCREW:
4X20



04503008N
TAPPING SCREW - M3X8



04503010N
TAPPING SCREW - M3X10



04503035N
TAPPING SCREW:3X35



04504008N
TAPPING SCREW - M4X8



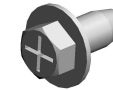
04504010N
TAPPING SCREW:M4X10



04504012N
TAPPING SCREW:4X12



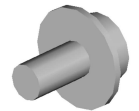
04513006N
TAPPING SCREW - 3X6



04513008N
TAPPING SCREW - M3X8



04513025N
TAPPING SCREW:M3X25



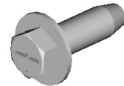
04514006N
TAPPING SCREW - 4X6



04514008N
TAPPING SCREW:4X8



04514010N
TAPPING SCREW:4X10



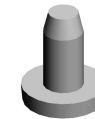
04514012N
TAPPING SCREW:4X12



04523006N
BINDING SELF-TAPPING SCR
EW:3X6



04523008N
TAPPING SCREW - M3X8



04524008N
TAPPING SCREW:M4X8



04524010N
BINDING SELF-TAPPING SCR
EW:4X10



04534006N
BINDING SELF TAPPING SCR
EW:4X6



04534008N
BINDING SELF TAPPING SCR
EW:4X8



04543006Q
TAPPING SCREW - M3X6



04543008Q
TAPPING SCREW:3X8



04543010Q
TAPPING SCREW:3X10



04544006Q
TAPPING SCREW:4X6



04544008Q
TAPPING SCREW - M4X8

Standard Parts



04583008N
HEXAGON HEAD TAPPING S
CREW:3X8



04583010N
HEXAGON HEAD TAPPING S
CREW:3X10



05730030E
HEXAGON HEADLESS SET S
CREW - M3X3



06320140G
PARALLEL PIN



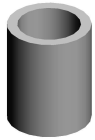
06330140G
PARALLEL PIN - 3X14



06330200G
PIN - M3X20



07010060N
WASHER DIA6



07073050N
BUSHING:DIA3X5



07074050N
BUSHING - 4X5



07074080N
BUSHING:DIA4X8



07080040N
WASHER - DIA4



07080060N
WASHER:DIA6



07080080N
WASHER-DIA8



07200030E
RETAINING RING - M3



07200040E
RETAINING RING - M4



07200050E
RETAINING RING - M5



07200060E
RETAINING RING - M6



07200060G
RETAINING RING - M6



07200080E
RETAINING RING - M8



07250200E
RETAINING RING C - M20



07250220E
RETAINING RING - M22



07250250E
RETAINING RING C - M25



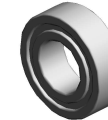
07403008
BALL BEARING - 8X22X7



07403706
BALL BEARING - M6X10X3



07403804
BALL BEARING:DIA4XDIA9X4



07403808
BALL BEARING - 8X16X5MM

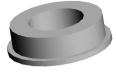


07403906
BALL BEARING - 6X15X5



07413506
BALL BEARING - 6X12X4 MM

Standard Parts



07413706
BALL BEARING - 6X10X3



07413708
BALL BEARING - 8X12X3.5M
M



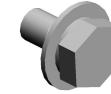
07413808
BALL BEARING - 8X16X5MM



07423808
BALL BEARING - 8X16X5



07433808
RADIAL BALL BEARING: DIA8
XDIA16X5



08010231
HEXAGONAL HEAD BOLT W/
WASHER: M3X6



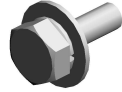
08010237
HEXAGONAL BOLT: DOUBLE
SCREW: M4X12



08025320
HEXAGON HEAD TAPPING S
CREW: ES: 3X10



08025324
HEXAGON HEAD TAPPING S
CREW: PF: 4X10



08046123
HEXAGONAL BOLT: W/WASH
ER: M3X8



08046128
HEXAGONAL BOLT: DOUBLE
SCREW: M3X10



08050088
RETAINING RING - M6



08050089
RETAINING RING - M4



08050092
RETAINING RING - 3M



08050104
RETAINING RINGS-E: SILENC
ER: DIA4



08050106
RETAINING RINGS-E: SILENC
ER: DIA6



08053263
BEARING - 6X10X6MM



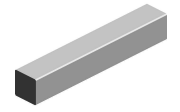
08053384
BUSHING - 5MM



08053568
RADIAL BALL BEARING: DIA8
XDIA14X4



08053573
RADIAL BALL BEARING: DIA8
XDIA16X5



09300404A
PARALLEL KEY: 4X4X25



09503006N
SCREW: SPRING WASHER: M
3X6



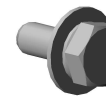
09505010N
SCREW: SPRING WASHER: M
5X10



09513006N
SCREW - M3X6



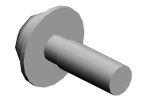
09514006N
SCREW: POLISHED ROUND:
M4X6



09543006N
SCREW - M3X6

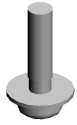


09543008N
SCREW - M3X8



09543010N
SCREW: POLISHED ROUND/S
PRING: M3X10

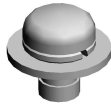
Standard Parts



09543012N
SCREW - M3X12



09544008N
SCREW - M4X8



09574008N
SCREW:SMALL ROUND/SPRI
NG:M4X8



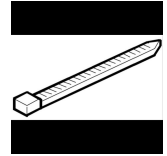
11029805
CONNECTOR:6-292233-0



11036013
CONNECTOR:BU31P-TCS-LE(
LF)(SN)



11036080
CONNECTOR:14R-RIZ-K4GG-
FL(LF)(SN)



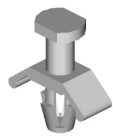
11050042
WIRE BAND



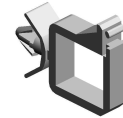
11050328
HARNESS CLAMP - ES-0505



11050409
CARD SPACER- 6.4MM



11050410
CARD SPACER - 9.4MM



11050488
HARNESS CLAMP



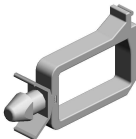
11050508
HARNESS CLAMP - LWS-071
1



11050511
HARNESS CLAMP - LWS-030
6ZC



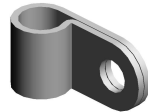
11050516
CLAMP



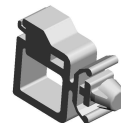
11050517
HARNESS CLAMP - LWS-211
1Z



11050518
EDGE SADDLE - LES-1010



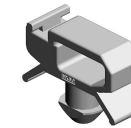
11050529
NYLON CLAMP-EMT-3N



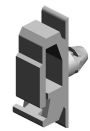
11050534
CLAMP



11050551
CLAMP:LES-0505



11050600
CLAMP:LWSM-0306-2M



11050601
CLAMP:LWSM-0511-2M



11050683
CLAMP:LWSR-0511S



11050692
CLAMP:LES-0503



11050702
CLAMP:LWC-3AB



11050713
CLAMP:LWSM-0306H GRAY



11050717
CLAMP:JDW-1S

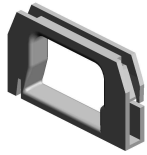


11050723
CLAMPS:WES-0507

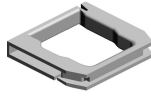


11050724
CLAMPS:WES-1210

Standard Parts



11050725
CLAMPS:WES-1117



11050726
CLAMPS:WES-2217



11050741
CLAMP:LWSM-0606-2.4M



11050744
CLAMP:F-LWS-0711



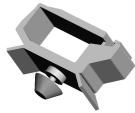
11050751
CLAMP:LWSM-0606-3.2M



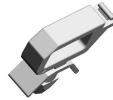
11050758
CLAMP:LWSM-0306A



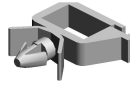
11050759
CLAMP:LWSM-0605A



11050760
CLAMP:LWSM-0511A



11050761
CLAMP:LWS-0511A



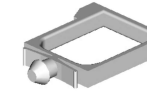
11050762
CLAMP:LWS-0711A



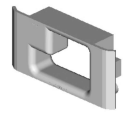
11050763
CLAMP:LWS-1211A



11050764
CLAMP:LWS-1316A



11050765
CLAMP:LWS-2218A



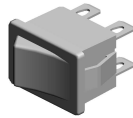
11050768
CLAMP:LES-0912



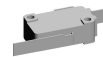
11050837
RIVETS:P3035-W



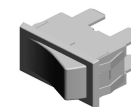
11071281
FUSE:BJS2012F2



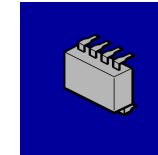
12042570
ROCKER SWITCH:SDDJE132
00



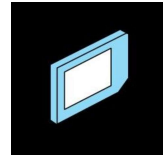
12042612
MICRO SWITCH:D3V-16506-3
C25



12042614
SWITCH AC250V/16A



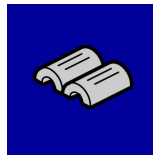
14077899
EEPROM:BR24T256-W



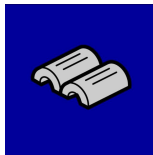
14078476
ROM STORAGE:SDXC8GB



16071799
FILTER - SUP-ET20-ER-0



16072247
FERRITE CORE:K3 NF-55(N)B
K0



16072470
FERRITE CORE:GRFC-10
K0

PM Part List

Number	Part Name	Num	Group	ID
AF030173	PAPER FEED ROLLER:PICKUP	2	U004_S010	371
			U004_S011	371
AF031098	PAPER FEED ROLLER:FEED	2	U004_S010	135
			U004_S011	135
AF032098	PAPER FEED ROLLER:SEPARATE	2	U004_S010	136
			U004_S011	136
D0742424	SEAL:BLADE:CLEANING:FRONT	9	U006_S012	46
			U006_S015	46
			U006_S018	46
			U006_S021	46
			U006_S024	46
			U006_S036	46
			U006_S039	46
			U006_S042	46
			U006_S045	46
D0742425	SEAL:BLADE:CLEANING:REAR	9	U006_S012	47
			U006_S015	47
			U006_S018	47
			U006_S021	47
			U006_S024	47
			U006_S036	47
			U006_S039	47
			U006_S042	47
			U006_S045	47
D0742459	JOINT:CLEANING UNIT	9	U006_S012	49
			U006_S015	49
			U006_S018	49
			U006_S021	49
			U006_S024	49
			U006_S036	49
			U006_S039	49
			U006_S042	49
			U006_S045	49
D0742501	GEAR:21Z:RIGHT	18	U006_S012_S002	53
			U006_S015_S002	53
			U006_S018_S002	53
			U006_S021_S002	53
			U006_S024_S002	53

Number	Part Name	Num	Group	ID
			U006_S036_S002	53
			U006_S039_S002	53
			U006_S042_S002	53
			U006_S045_S002	53
D0742502	GEAR:IDLER:20Z:LEFT	9	U006_S012_S002	54
			U006_S015_S002	54
			U006_S018_S002	54
			U006_S021_S002	54
			U006_S024_S002	54
			U006_S036_S002	54
			U006_S039_S002	54
			U006_S042_S002	54
D0742503	GEAR:IDLER:31Z:LEFT	9	U006_S012_S002	55
			U006_S015_S002	55
			U006_S018_S002	55
			U006_S021_S002	55
			U006_S024_S002	55
			U006_S036_S002	55
			U006_S039_S002	55
			U006_S042_S002	55
D0746265	BLADE:TRANSFER ROLLER:ASS'Y	1	U009_S001	24
D0746424	BLADE:CLEANING:BELT CLEANING:ASS'Y	1	U008_S001	18
D0746446	BRUSH:APPLY:BELT CLEANING	1	U008_S001	27
D0746450	COATING BAR:ASS'Y	1	U008_S001_S002	28
D0746457	BLADE:APPLY:ASS'Y	1	U008_S001	31
D0A52150	CHARGE UNIT:ASS'Y	9	U006_S010	74
			U006_S013	74
			U006_S016	74
			U006_S019	74
			U006_S022	74
			U006_S034	74
			U006_S037	74
			U006_S040	74

PM Part List

Number	Part Name	Num	Group	ID
			U006_S043	74
D0A56050	FLAT BELT-TRANSFER:ASS'Y	1	U007	119
D0A56212	ROLLER:INTERMEDIATE TRANSFER:17.5MM:ASS'Y	5	U007	129
D0A56252	TRANSFER ROLLER:18MIC	1	U009_S001	39
D1362365	CLEANING BLADE:ASS'Y	9	U006_S012	86
			U006_S015	86
			U006_S018	86
			U006_S021	86
			U006_S024	86
			U006_S036	86
			U006_S039	86
			U006_S042	86
			U006_S045	86
D1362411	COATING BAR:ASS'Y	9	U006_S012	87
			U006_S015	87
			U006_S018	87
			U006_S021	87
			U006_S024	87
			U006_S036	87
			U006_S039	87
			U006_S042	87
			U006_S045	87
D1362441	BLADE:APPLY:ASS'Y	9	U006_S012	90
			U006_S015	90
			U006_S018	90
			U006_S021	90
			U006_S024	90
			U006_S036	90
			U006_S039	90
			U006_S042	90
			U006_S045	90
D1363431	FILTER:DEVELOPMENT	9	U006_S011	93
			U006_S014	93
			U006_S017	93
			U006_S020	93
			U006_S023	93

Number	Part Name	Num	Group	ID
			U006_S035	93
			U006_S038	93
			U006_S041	93
			U006_S044	93
D1942460	GEAR:19Z:RIGHT	9	U006_S012_S002	101
			U006_S015_S002	101
			U006_S018_S002	101
			U006_S021_S002	101
			U006_S024_S002	101
			U006_S036_S002	101
			U006_S039_S002	101
			U006_S042_S002	101
			U006_S045_S002	101
D1942485	SEAL:BLADE:APPLY	18	U006_S012	103
			U006_S015	103
			U006_S018	103
			U006_S021	103
			U006_S024	103
			U006_S036	103
			U006_S039	103
			U006_S042	103
			U006_S045	103
D1942550	GEAR:CLEANING:DRUM:SERVICE	9	U006_S012_S002	119
			U006_S015_S002	119
			U006_S018_S002	119
			U006_S021_S002	119
			U006_S024_S002	119
			U006_S036_S002	119
			U006_S039_S002	119
			U006_S042_S002	119
			U006_S045_S002	119
D1946231	ROLLER:OPPOSED:TRANSFER:PAPER:ASS'Y	1	U007	215
D1946301	SEPARATION GUIDE:ASS'Y	1	U009_S001_S001	41
D2582402	OIL SUPPLY ROLLER:ASS'Y	9	U006_S012	117
			U006_S015	117
			U006_S018	117
			U006_S021	117

PM Part List

Number	Part Name	Num	Group	ID
			U006_S024	117
			U006_S036	117
			U006_S039	117
			U006_S042	117
			U006_S045	117
G1786767	COATING BAR:TRANSFER ROLLER	1	U009_S001	43
M0BJ9510	OPC DRUM DIA60	9	U006	154

Design Change List

Number	Title	Set	Old Part		New Part		Index No.		Q'ty	Interchg		Reason	Cut-in S/N
			P/N	Name	P/N	Name	Group	ID		Indiv.	Set		
202405-01	2405Modification	-			11050761	CLAMP:LWS-051 1A	U019	17	1				
					11050761	CLAMP:LWS-051 1A	U019	17	1				
					11050761	CLAMP:LWS-051 1A	U019	17	1				
					11050761	CLAMP:LWS-051 1A	U019	17	1				
					11050761	CLAMP:LWS-051 1A	U019	17	1				
					11050761	CLAMP:LWS-051 1A	U019	17	1				
					11050761	CLAMP:LWS-051 1A	U019	17	1				
					11050761	CLAMP:LWS-051 1A	U019	17	1				
202405-02	2405Modification	-			11050761	CLAMP:LWS-051 1A	U019	17	1				
					11050761	CLAMP:LWS-051 1A	U019	17	1				
					11050761	CLAMP:LWS-051 1A	U019	17	1				
					11050761	CLAMP:LWS-051 1A	U019	17	1				
202405-03	2405Modification	-			11050761	CLAMP:LWS-051 1A	U019	17	1				
					11050761	CLAMP:LWS-051 1A	U019	17	1				
202405-04	2405Modification	-	11050761	CLAMP:LWS-051 1A			U019	17	1				

Design Change List

Number	Title	Set	Old Part		New Part		Index No.		Q'ty	Interchg		Reason	Cut-in S/N
			P/N	Name	P/N	Name	Group	ID		Indiv.	Set		
202405-05	2405Modification	-	11050723	CLAMPS:WES-05 07			U019	14	1				
202405-06	2405Modification	-	11050760	CLAMP:LWSM-05 11A			U017	23	1				
			11050760	CLAMP:LWSM-05 11A			U017	23	1				
			11050760	CLAMP:LWSM-05 11A			U017	23	1				
			11050760	CLAMP:LWSM-05 11A			U017	23	1				
			11050760	CLAMP:LWSM-05 11A			U017	23	1				
			11050760	CLAMP:LWSM-05 11A			U017	23	1				
202405-07	2405Modification	-	11050760	CLAMP:LWSM-05 11A			U017	23	1				
			11050760	CLAMP:LWSM-05 11A			U017	23	1				
			11050760	CLAMP:LWSM-05 11A			U017	23	1				
			11050760	CLAMP:LWSM-05 11A			U017	23	1				
202405-08	2405Modification	-	11050761	CLAMP:LWS-051 1A			U017	24	1				
202405-09	2405Modification	-	11050723	CLAMPS:WES-05 07			U017	20	1				
202405-10	2405Modification	-	11050760	CLAMP:LWSM-05 11A			U017	23	1				
			11050760	CLAMP:LWSM-05 11A			U017	23	1				

Design Change List

Number	Title	Set	Old Part		New Part		Index No.		Q'ty	Interchg		Reason	Cut-in S/N
			P/N	Name	P/N	Name	Group	ID		Indiv.	Set		
		-	11050760	CLAMP:LWSM-05 11A			U017	23	1				
202405-11	2405Modification	-			11050760	CLAMP:LWSM-05 11A	U017	23	1				
					11050760	CLAMP:LWSM-05 11A	U017	23	1				
					11050760	CLAMP:LWSM-05 11A	U017	23	1				
202405-12	2405Modification	-	11050760	CLAMP:LWSM-05 11A			U017	23	1				
			11050760	CLAMP:LWSM-05 11A			U017	23	1				
			11050760	CLAMP:LWSM-05 11A			U017	23	1				
202405-13	2405Modification	-	11050723	CLAMPS:WES-05 07			U016	15	1				
202405-14	2405Modification	-	11050760	CLAMP:LWSM-05 11A			U016	18	1				
202405-15	2405Modification	-			11050723	CLAMPS:WES-05 07	U018	21	1				
					11050723	CLAMPS:WES-05 07	U018	21	1				
					11050723	CLAMPS:WES-05 07	U018	21	1				
					11050723	CLAMPS:WES-05 07	U018	21	1				
202405-16	2405Modification	-			11050760	CLAMP:LWSM-05 11A	U018	24	1				
					11050760	CLAMP:LWSM-05 11A	U018	24	1				

Design Change List

Number	Title	Set	Old Part		New Part		Index No.		Q'ty	Interchg		Reason	Cut-in S/N
			P/N	Name	P/N	Name	Group	ID		Indiv.	Set		
202405-17	2405Modification	-			11050760	CLAMP:LWSM-0511A	U018	24	1				
					11050760	CLAMP:LWSM-0511A	U018	24	1				
					11050760	CLAMP:LWSM-0511A	U018	24	1				
					11050760	CLAMP:LWSM-0511A	U018	24	1				
					11050760	CLAMP:LWSM-0511A	U018	24	1				
					11050760	CLAMP:LWSM-0511A	U018	24	1				
202404-01	2404Modification	-	D1947084	SEAL:DUCT:EXH AUST:ABSORB D UST SUB-UNIT:R EAR			U018	110	1				
			D1947084	SEAL:DUCT:EXH AUST:ABSORB D UST SUB-UNIT:R EAR			U018	110	1				
202404-02	2404Modification	-			G0703088	SPACER:DEVELOPMENT ROLLER	U011_S002	297	2				
202404-03	2404Modification	-			04514008N	TAPPING SCREW:4X8	U011	17	1				
					04514008N	TAPPING SCREW:4X8	U011	17	1				
202404-05	2404Modification	-	03603006N	SCREW - M3X6	08046123	HEXAGONAL BOLT:W/WASHER:M3X8	U007	21	1	X/O			

Design Change List

Number	Title	Set	Old Part		New Part		Index No.		Q'ty	Interchg		Reason	Cut-in S/N
			P/N	Name	P/N	Name	Group	ID		Indiv.	Set		
		-	03603006N	SCREW - M3X6	08046123	HEXAGONAL BO LT:W/WASHER:M 3X8	U007	21	1	X/O			
			03603006N	SCREW - M3X6	08046123	HEXAGONAL BO LT:W/WASHER:M 3X8	U007	21	1	X/O			
			03603006N	SCREW - M3X6	08046123	HEXAGONAL BO LT:W/WASHER:M 3X8	U007	21	1	X/O			
202402-01	2402Modification	-			D0A54410	BRACKET:DC MO TOR:EXIT:ENTRA NCE:PEEN	U013	274	1				
202402-02	2402Modification	-	C2023102	COLLAR - 6.35X1 0X4MM	M0EB4607	COLLAR:6X10X4	U013	276	2	X/O			
202402-05	2402Modification	-			D0A54579	GUIDE PLATE:C OOLING:EXIT:UP PER:ADHESION	U013_S001	275	1				
202402-06	2402Modification	-	M0EB7959	DOOR:TONER S UPPLY	M0EB7960	DOOR:TONER S UPPLY	U001	80	1	O/O			
202402-07	2402Modification	-			D0A54102	DUCT:PRESSUR E:LOWER	U012_S003	238	1				
202402-08	2402Modification	A	D0A55348	HARNESS:FUSIN G:PRESSURE:TH ERMOSTAT	M0EB4390	HARNESS:FUSIN G:PRESSURE:SP IRAL TUBE:ASS'Y	D11(7/21)		1	O/O			
202402-09	2402Modification	-	D0A54019	(EU/AA/TWN/KO R/CHN):FUSING UNIT:230V:ASS'Y	D0A54027	(EU/AA/TWN/KO R/CHN):FUSING UNIT:230V:ASS'Y	U012_S003	239	1	O/O			
202402-10	2402Modification	A	D0744062	BRACKET:THER MISTOR:PRESSU RE	D0A54062	BRACKET:THER MISTOR:PRESSU RE	U012_S003	237	1	O/O			

Design Change List

Number	Title	Set	Old Part		New Part		Index No.		Q'ty	Interchg		Reason	Cut-in S/N
			P/N	Name	P/N	Name	Group	ID		Indiv.	Set		
202402-11	2402Modification	A	D0744061	CLAMP:HARNES S:PRESSURE	D0A54061	CLAMP:HARNES S:PRESSURE	U012_S003	236	1	O/O			
202402-13	2402Modification	-	D2707545	(EU/AA/TWN/KO R):(CHN[Pro C72 00/C7210/C7200X /C7210X]):TANDE M LCT:LEFT:ASS' Y	D0BX7556	(EU/AA/TWN/KO R):(CHN[Pro C72 00/C7210/C7200X /C7210X]):TANDE M LCT:LEFT:ASS' Y	U004_S002	373	1	O/O			
202401-01	2401Modification	-	D2395629	(NA/EU/AA/TWN/ KOR):PCB:DDR3- DIMM:RC-A:4GB: ASS'Y	D2395625	(CHN):PCB:DDR3 -DIMM:RC-A:4GB: ASS'Y	U017	124	1	O/O			
			D2395629	(NA/EU/AA/TWN/ KOR):PCB:DDR3- DIMM:RC-A:4GB: ASS'Y	D2395625	(CHN):PCB:DDR3 -DIMM:RC-A:4GB: ASS'Y	U017	124	1	O/O			
202401-02	2401Modification	-	M0BK5788	(Pro C7210/C721 0X):PCB:B	M0BK5790	(Pro C7210/C721 0X):PCB:B	U017	123	1	X/O			
202401-03	2401Modification	-	M0BK5787	(Pro C7200/C720 0e/C7200X):PCB: A	M0BK5789	(Pro C7200/C720 0e/C7200X):PCB: A	U017	122	1	X/O			
202401-06	2401Modification	-	D0A55469	PCB:CRB-R	D0A55475	PCB:CRB-R	U011_S002	296	1	X/O			
202401-08	2401Modification	-	D0A52686	GUIDE PLATE:RE GISTRATION:EXI T:ASS'Y	D0A52687	GUIDE PLATE:RE GISTRATION:EXI T:ASS'Y	U011_S002 _S002	295	1	X/O			
202401-07	2401Modification	-	D0A52614	TRANSPORT UNI T:ASS'Y	D0A52615	TRANSPORT UNI T:ASS'Y	U011_S002	294	1	O/O			
202312-01	2312 Modification	-	D0596646	INNER COVER:T ANDEM LCT:LEF T	D0EZ6646	INNER COVER:T ANDEM LCT:LEF T	U004_S002	245	1	O/O			

Design Change List

Number	Title	Set	Old Part		New Part		Index No.		Q'ty	Interchg		Reason	Cut-in S/N
			P/N	Name	P/N	Name	Group	ID		Indiv.	Set		
202312-02	2312 Modification	-			D0A52769	PLATE:SIDE PLATE:FRONT:AUXILIARY:PEEN	U011_S002	292	1				
202312-03	2312 Modification	-			D0A52760	PLATE:SIDE PLATE:REAR:AUXILIARY	U011_S002	291	1				
202312-04	2312 Modification	-			D0A53035	COVER:CRB	U011_S002	293	1				
202312-05	2312 Modification	-	D0744398	DUCT:PRESSURE:CONNECTING:A	M0EB4398	DUCT:PRESSURE:CONNECTING:A	U012	141	1	O/O			
202309-01	2309 Modification	-	D0A52612	TRANSPORT UNIT:ASS'Y	D0A52614	TRANSPORT UNIT:ASS'Y	U011	275	1	O/O			
202308-01	2308Modification	-			D1941440	BRACKET:AUXILIARY:DRIVE:AROUND THE PHOTO CONDUCTOR	U015	94	9				
202308-02	2308Modification	-	M0BH9510	OPC DRUM DIA60	M0BJ9510	OPC DRUM DIA60	U006	154	1	O/O			
			M0BH9510	OPC DRUM DIA60	M0BJ9510	OPC DRUM DIA60	U006	154	1	O/O			
			M0BH9510	OPC DRUM DIA60	M0BJ9510	OPC DRUM DIA60	U006	154	1	O/O			
			M0BH9510	OPC DRUM DIA60	M0BJ9510	OPC DRUM DIA60	U006	154	1	O/O			
			M0BH9510	OPC DRUM DIA60	M0BJ9510	OPC DRUM DIA60	U006	154	1	O/O			
			M0BH9510	OPC DRUM DIA60	M0BJ9510	OPC DRUM DIA60	U006	154	1	O/O			
			M0BH9510	OPC DRUM DIA60	M0BJ9510	OPC DRUM DIA60	U006	154	1	O/O			

Design Change List

Number	Title	Set	Old Part		New Part		Index No.		Q'ty	Interchg		Reason	Cut-in S/N
			P/N	Name	P/N	Name	Group	ID		Indiv.	Set		
		-	M0BH9510	OPC DRUM DIA60	M0BJ9510	OPC DRUM DIA60	U006	154	1	O/O			
		-	M0BH9510	OPC DRUM DIA60	M0BJ9510	OPC DRUM DIA60	U006	154	1	O/O			
202308-03	2308Modification	-			D0746379	ROLLER:TENSION:ASS'Y	U007_S001	237	1				
202308-04	2308Modification	-	D0A54611	GUIDE PLATE:EXIT:GATE	M0EB4667	GUIDE PLATE:EXIT:GATE	U013	273	1	O/O			
202307-01	2307Modification	-			D2704670	BRACKET:MAGNET CATCH:DUPLICATE	U013	272	1				
202307-02	2307Modification	-	D0A51128	PLAIN SHAFT BEARING:POSITIONING PIN:FUSING:PRESS FIT	M0EB1128	PLAIN SHAFT BEARING:POSITIONING PIN:FUSING:PRESS FIT	U019	61	1	X/O			
202307-03	2307Modification	-			D0A57675	SLOPE:COVER:CONTACT IMAGE SENSOR	U013_S004	271	1				
202307-04	2307Modification	-			D0744568	SHAFT:CONTACT POINT:FRAME:LEFT LOWER	U013	270	1				
202307-05	2307Modification	-			D0A54057	BRACKET:DRIVE:POLISH:PEEN	U012_S003	234	1				
202303-01	2303Modification	-			D0A56121	BRACKET:DENSITY SENSOR:INTERMEDIATE TRANSFER	U007	236	1				
202303-02	2303Modification	-	D0A52552	GUIDE PLATE:SLIDE RAIL:PCU	M0EB2524	GUIDE PLATE:SLIDE RAIL:PCU	U006	153	8	O/O			
202302-01	2302Modification	-	D1945908	BRACKET:BASE:	M0EB5907	BRACKET:BASE:	U016	65	2	O/O			

Design Change List

Number	Title	Set	Old Part		New Part		Index No.		Q'ty	Interchg		Reason	Cut-in S/N
			P/N	Name	P/N	Name	Group	ID		Indiv.	Set		
		-		ELECTRIC POTE NTIAL SENSOR		ELECTRIC POTE NTIAL SENSOR:P 4							
202302-02	2302Modification	-	D0747753	COVER:TONER S UPPLY:UPPER:A SS'Y	M0EB7873	COVER:TONER S UPPLY:UPPER:A SS'Y	U001_S007	79	1	O/O			
202301-01	2301Modification	-	H5194238	SPACER:ROLLE R:CONNECTING	G0603293	SPACER:6.1X8.5 X0.5	U013	267	2	X/O			
202301-02	2301Modification	-	11050600	CLAMP:LWSM-03 06-2M			U013	30	1				
202301-03	2301Modification	-			D0A54192	SIDE PLATE:HEA T ROLLER:FRON T:PRESS FIT:(C7 200+/C7210+)	U012_S003 _S002	232	1				
202301-04	2301Modification	-	M0777429	BALL BEARING:R EGISTRATION:D RIVEN:REAR	M0EB4671	RADIAL BALL BE ARING:REGISTR ATION:DRIVEN:R EAR	U013	269	1	O/O			
			M0777429	BALL BEARING:R EGISTRATION:D RIVEN:REAR	M0EB4671	RADIAL BALL BE ARING:REGISTR ATION:DRIVEN:R EAR	U011_S002	290	1	O/O			
			M0777429	BALL BEARING:R EGISTRATION:D RIVEN:REAR	M0EB4671	RADIAL BALL BE ARING:REGISTR ATION:DRIVEN:R EAR	U011_S002	290	1	O/O			
202301-05	2301Modification	-	M0777428	BALL BEARING:R EGISTRATION:D RIVEN:FRONT	M0EB4670	RADIAL BALL BE ARING:REGISTR ATION:DRIVEN:F RONT	U013	268	1	O/O			

Design Change List

Number	Title	Set	Old Part		New Part		Index No.		Q'ty	Interchg		Reason	Cut-in S/N
			P/N	Name	P/N	Name	Group	ID		Indiv.	Set		
		-	M0777428	BALL BEARING:REGISTRATION:DRIVEN:FRONT	M0EB4670	RADIAL BALL BEARING:REGISTRATION:DRIVEN:FRONT	U011_S002	289	1	O/O			
		-	M0777428	BALL BEARING:REGISTRATION:DRIVEN:FRONT	M0EB4670	RADIAL BALL BEARING:REGISTRATION:DRIVEN:FRONT	U011_S002	289	1	O/O			
202301-06	2301Modification	-	D0744333	ROLLER:PLATE	M0EB4343	ROLLER:PLATE	U012_S001	233	1	O/O			
202301-07	2301Modification	-	D2706282	SWING UNIT:PIKUP ROLLER:ASSY	D0BX6282	SWING UNIT:PIKUP ROLLER:ASSY	U004_S011	372	1	O/O			
		-	D2706282	SWING UNIT:PIKUP ROLLER:ASSY	D0BX6282	SWING UNIT:PIKUP ROLLER:ASSY	U004_S010	372	1	O/O			
202211-01	2211Modification	-	AE045072	WEB:SUB-ASSY	AE045073	WEB:SUB-ASSY	U012_S001	231	1	O/O			
202210-01	2210Modification	-	AX400194	HEATER - 230V/9W	AX400275	HEATER:230V:9W	U007	235	2	O/O			
202210-02	2210Modification	-	AW020224	PHOTOINTERRUPTOR:GP1A173L CSVF	GW020026	PHOTOINTERRUPTOR:LG2A24RL1G	U013	266	1	O/O			
202210-03	2210Modification	-	GW020022	PHOTOINTERRUPTOR:LG2A24BL1	GW020026	PHOTOINTERRUPTOR:LG2A24RL1G	U013	266	1	O/O			
202208-01	2208Modification	-	AF030072	PAPER FEED ROLLER:PICKUP	AF030173	PAPER FEED ROLLER:PICKUP	U004_S010	371	1	O/O			
		-					U004_S011	371	1				
202208-02	2208Modification	-	D0744087	BRACKET:PHOTOINTERRUPTOR:FRONT	D0A54090	BRACKET:PHOTOINTERRUPTOR:FRONT	U012_S003	229	1	X/O			
202207-01	2207Modification	-	D1943751	DOOR:TONER S	M0EB7959	DOOR:TONER S	U001	78	1	O/O			

Design Change List

Number	Title	Set	Old Part		New Part		Index No.		Q'ty	Interchg		Reason	Cut-in S/N
			P/N	Name	P/N	Name	Group	ID		Indiv.	Set		
		-		UPPLY		UPPLY							
202205-01	2205 Modification	-	D0A57640	OPTICAL READING UNIT:COOLING:EXIT:ASS'Y	D0A57642	OPTICAL READING UNIT:COOLING:EXIT:ASS'Y	U013_S004	254	1	O/O			
202205-02	2205 Modification	-			D4573963	CUSHION:COVER:GUIDE PLATE	U004_S002_S001	370	1				
202204-01	2204Modification	A	D0A57600	CONTACT IMAGE SENSOR:FA4CF C-02	D0A57601	CONTACT IMAGE SENSOR:FA4CF C-02-50	U011_S002_S002_S001	287	1	X/X			
202204-02	2204Modification	-			D0A52686	GUIDE PLATE:REGISTRATION:EXIT:ASS'Y	U011_S002	285	1				
202204-03	2204Modification	A			D0A57605	HEAT CONDUCTIVE SHEET:CONTACT IMAGE SENSOR:COOLING	U011_S002_S002_S001	288	1				
202204-04	2204Modification	A	D0A55486	PCB:CRB-R	D0A55469	PCB:CRB-R	U011_S002	286	1	X/X			
202204-05	2204Modification	A	D0A52684	CONTACT IMAGE SENSOR:ASS'Y	D0A52685	CONTACT IMAGE SENSOR:ASS'Y	U011_S002_S002_S001	284	1	X/X			
202201-01	2201Modification	-	AA043728	SYNCHRONOUS BELT:60S2M190	AA043998	SYNCHRONOUS BELT:60S2M190	U007	234	1	O/O			
202201-02	2201Modification	-	G1784822	SPRING:PRESSURE:0.8N:DIA0.65	M0EB4681	COMPRESSION SPRING:DRIVE:REVERSE:EXIT_	U013	265	4	O/O			
202112-01	2112 Modification	-	G1785397	PCB:SIFB:CROSS			SPECIAL TOOLS	18	1				
202112-03	2112 Modification	-			D0A51128	PLAIN SHAFT BEARING:POSITIONING PIN:FUSING:	U019	60	1				

Design Change List

Number	Title	Set	Old Part		New Part		Index No.		Q'ty	Interchg		Reason	Cut-in S/N
			P/N	Name	P/N	Name	Group	ID		Indiv.	Set		
		-				PRESS FIT							
202112-04	2112 Modification	-			D0A53636	TUBE:BK:4ST	U005	178	1				
202112-05	2112 Modification	-			D0AL3626	TUBE:TONER:BK:KS	U005	179	1				
202112-06	2112 Modification	-			D0A51521	GEAR:PULLEY:VACUUM:51Z/21T	U013	262	1				
202112-07	2112 Modification	-			D0A54834	COIL SPRING:PRESSURE:ROLLER:SUB SCANNING:FRONT	U013	263	1				
202112-08	2112 Modification	-			D0A54835	COIL SPRING:PRESSURE:ROLLER:SUB SCANNING:REAR	U013	264	1				
202111-01	2111 Modification	-	D0A59510	OPC DRUM DIA60	M0BH9510	OPC DRUM DIA60	U006	152	1	O/O			
			D0A59510	OPC DRUM DIA60	M0BH9510	OPC DRUM DIA60	U006	152	1	O/O			
			D0A59510	OPC DRUM DIA60	M0BH9510	OPC DRUM DIA60	U006	152	1	O/O			
			D0A59510	OPC DRUM DIA60	M0BH9510	OPC DRUM DIA60	U006	152	1	O/O			
			D0A59510	OPC DRUM DIA60	M0BH9510	OPC DRUM DIA60	U006	152	1	O/O			
			D0A59510	OPC DRUM DIA60	M0BH9510	OPC DRUM DIA60	U006	152	1	O/O			
			D0A59510	OPC DRUM DIA60	M0BH9510	OPC DRUM DIA60	U006	152	1	O/O			
			D0A59510	OPC DRUM DIA60	M0BH9510	OPC DRUM DIA60	U006	152	1	O/O			

Design Change List

Number	Title	Set	Old Part		New Part		Index No.		Q'ty	Interchg		Reason	Cut-in S/N
			P/N	Name	P/N	Name	Group	ID		Indiv.	Set		
		-	D0A59510	OPC DRUM DIA60	M0BH9510	OPC DRUM DIA60	U006	152	1	O/O			
202110-01	2110 Modification	-	G1785023	TIMING BELT:S2M190	AA043728	SYNCHRONOUS BELT:60S2M190	U007	233	1	O/O			
202110-02	2110 Modification	-	D0AK5100	SD-CARD:NICE:APPLICATION:ASS'Y	D0CQ5100	SD-CARD:NICE:APPLICATION:ASS'Y	U016	64	2	O/O			
202108-01	2108 Modification	-	AA043976	TIMING BELT:40S2M142	AA043725	TIMING BELT:40S2M142	U007	232	1	O/O			
202108-02	2108 Modification	-			D0A54530	COOLING SUB-UNIT:PAPER EXIT UNIT:ASS'Y	U013_S001	261	1				
202107-01	2107 Modification	-			D1946054	BRACKET:TENSION SPRING:ROLLER:NO.5:FRONT	U007	231	1				
202106-02	2106 Modification	-			D1942963	SHIELD GLASS:CONTACT IMAGE SENSOR:CING	U011_S002_S002_S001	283	1				
202106-03	2106 Modification	-			D0A52780	COVER:TRANSFER:TIMING:UPPER	U011_S002	282	1				
202106-04	2106 Modification	-			D0A52684	CONTACT IMAGE SENSOR:ASS'Y	U011_S002_S002	281	1				
202105-07	2105 Modification	A	03603006N	SCREW - M3X6	D2051082	HEXAGON HEAD SCREW:ROUND POINT:M3X6:BK	U012_S003_S003	228	1	X/O			
			03603006N	SCREW - M3X6	D2051082	HEXAGON HEAD SCREW:ROUND POINT:M3X6:BK	U012_S003_S003	228	1	X/O			
			03603006N	SCREW - M3X6	D2051082	HEXAGON HEAD	U012_S003	228	1	X/O			

Design Change List

Number	Title	Set	Old Part		New Part		Index No.		Q'ty	Interchg		Reason	Cut-in S/N
			P/N	Name	P/N	Name	Group	ID		Indiv.	Set		
						SCREW:ROUND POINT:M3X6:BK	_S003						
			03603006N	SCREW - M3X6	D2051082	HEXAGON HEAD SCREW:ROUND POINT:M3X6:BK	U012_S003	228	1	X/O			
			03603006N	SCREW - M3X6	D2051082	HEXAGON HEAD SCREW:ROUND POINT:M3X6:BK	U012_S003	228	1	X/O			
			03603006N	SCREW - M3X6	D2051082	HEXAGON HEAD SCREW:ROUND POINT:M3X6:BK	U012_S003	228	1	X/O			
			03603006N	SCREW - M3X6	D2051082	HEXAGON HEAD SCREW:ROUND POINT:M3X6:BK	U012_S003	228	1	X/O			
202105-08	2105 Modification	-			D0A52589	DECAL:PCDU_H OPPER:SIL	U006	150	1				
					D0A52589	DECAL:PCDU_H OPPER:SIL	U006	150	1				
202105-09	2105 Modification	-			D0A52590	DECAL:PCDU_H OPPER:GLD	U006	151	1				
					D0A52590	DECAL:PCDU_H OPPER:GLD	U006	151	1				
202103-01	2103 Modification	-			D0A54443	GUIDE PLATE:EX IT:UPPER:ASS'Y	U013	259	1				
202103-02	2103 Modification	-			D1942439	SEAL:FRAME:AP PLY:FRONT SIDE	U006_S012	145	1				
							U006_S015	145	1				
							U006_S018	145	1				
							U006_S021	145	1				
							U006_S024	145	1				
							U006_S036	145	1				

Design Change List

Number	Title	Set	Old Part		New Part		Index No.		Q'ty	Interchg		Reason	Cut-in S/N
			P/N	Name	P/N	Name	Group	ID		Indiv.	Set		
		-					U006_S039	145	1				
							U006_S042	145	1				
							U006_S045	145	1				
202103-03	2103 Modification	-			D1942440	SEAL:FRAME:AP PLY:REAR SIDE	U006_S012	146	1				
							U006_S015	146	1				
							U006_S018	146	1				
							U006_S021	146	1				
							U006_S024	146	1				
							U006_S036	146	1				
							U006_S039	146	1				
							U006_S042	146	1				
							U006_S045	146	1				
202103-04	2103 Modification	A			D1942441	SEAL:FRAME:CO ATING BAR:FRO NT SIDE	U006_S012	147	1				
							U006_S015	147	1				
							U006_S018	147	1				
							U006_S021	147	1				
							U006_S024	147	1				
							U006_S036	147	1				
							U006_S039	147	1				
							U006_S042	147	1				
							U006_S045	147	1				
202103-05	2103 Modification	A			D1942442	SEAL:FRAME:CO ATING BAR:REA R SIDE	U006_S012	148	1				
							U006_S015	148	1				
							U006_S018	148	1				
							U006_S021	148	1				
							U006_S024	148	1				
							U006_S036	148	1				
							U006_S039	148	1				
							U006_S042	148	1				
							U006_S045	148	1				

Design Change List

Number	Title	Set	Old Part		New Part		Index No.		Q'ty	Interchg		Reason	Cut-in S/N
			P/N	Name	P/N	Name	Group	ID		Indiv.	Set		
202103-06	2103 Modification	A			D1942443	SEAL:FRAME:COATING BAR:UPPER	U006_S012	149	1				
							U006_S015	149	1				
							U006_S018	149	1				
							U006_S021	149	1				
							U006_S024	149	1				
							U006_S036	149	1				
							U006_S039	149	1				
							U006_S042	149	1				
							U006_S045	149	1				
202012-01	2012 Modification	-	M0BH5401	PCB:BCU:ASS'Y	M0BH5405	PCB:BCU:ASS'Y	U016	63	1	X/O			
202012-02	2012 Modification	-	AZ310037	POWER PACK:CHARGE	AZ310052	POWER PACK:CHARGE	U016	62	1	X/O			
			AZ310037	POWER PACK:CHARGE	AZ310052	POWER PACK:CHARGE	U016	62	1	X/O			
			AZ310037	POWER PACK:CHARGE	AZ310052	POWER PACK:CHARGE	U016	62	1	X/O			
202012-03	2012 Modification	-	D1949690	DEVELOPER WH ITE	D0A59695	DEVELOPER WH ITE	U006	142	1	O/O			
			D1949690	DEVELOPER WH ITE	D0A59695	DEVELOPER WH ITE	U006	142	1	O/O			
202012-04	2012 Modification	-			D0A52916	SHAFT:SHIFT	U011_S002	280	1				
202012-05	2012 Modification	-			D0A59755	DEVELOPER-S	U006	143	1				
					D0A59755	DEVELOPER-S	U006	143	1				
202012-06	2012 Modification	-			D0A59765	DEVELOPER-G	U006	144	1				
					D0A59765	DEVELOPER-G	U006	144	1				
202011-01	2011 Modification	-	D0746164	SYNCHRONOUS BELT:ON-OFF:INTERMEDIATE TRANSFER	AA043995	SYNCHRONOUS BELT:80S2M206	U007	228	1	O/O			
202011-02	2011 Modification	-			D0A57797	SD-CARD:SP:BA	SPECIAL T	20	1				

Design Change List

Number	Title	Set	Old Part		New Part		Index No.		Q'ty	Interchg		Reason	Cut-in S/N
			P/N	Name	P/N	Name	Group	ID		Indiv.	Set		
		-				TCH:TOOL:ASS'Y	OOLS						
202011-03	2011 Modification	A			D0A53456	SEAL:DEVELOPMENT ROLLER:FRONT:2	U006_S044	139	1				
					D0A53456	SEAL:DEVELOPMENT ROLLER:FRONT:2	U006_S041	139	1				
					D0A53456	SEAL:DEVELOPMENT ROLLER:FRONT:2	U006_S038	139	1				
					D0A53456	SEAL:DEVELOPMENT ROLLER:FRONT:2	U006_S035	139	1				
					D0A53456	SEAL:DEVELOPMENT ROLLER:FRONT:2	U006_S023	139	1				
					D0A53456	SEAL:DEVELOPMENT ROLLER:FRONT:2	U006_S020	139	1				
					D0A53456	SEAL:DEVELOPMENT ROLLER:FRONT:2	U006_S017	139	1				
					D0A53456	SEAL:DEVELOPMENT ROLLER:FRONT:2	U006_S014	139	1				
					D0A53456	SEAL:DEVELOPMENT ROLLER:FRONT:2	U006_S011	139	1				
202011-04	2011 Modification	A	D1363406	SEAL:DEVELOPMENT ROLLER:F	D0A53457	SEAL:DEVELOPMENT ROLLER:F	U006_S044	140	1	O/O			

Design Change List

Number	Title	Set	Old Part		New Part		Index No.		Q'ty	Interchg		Reason	Cut-in S/N
			P/N	Name	P/N	Name	Group	ID		Indiv.	Set		
				RONT		RONT:1							
			D1363406	SEAL:DEVELOPMENT ROLLER:F RONT	D0A53457	SEAL:DEVELOPMENT ROLLER:F RONT:1	U006_S041	140	1	O/O			
			D1363406	SEAL:DEVELOPMENT ROLLER:F RONT	D0A53457	SEAL:DEVELOPMENT ROLLER:F RONT:1	U006_S038	140	1	O/O			
			D1363406	SEAL:DEVELOPMENT ROLLER:F RONT	D0A53457	SEAL:DEVELOPMENT ROLLER:F RONT:1	U006_S035	140	1	O/O			
			D1363406	SEAL:DEVELOPMENT ROLLER:F RONT	D0A53457	SEAL:DEVELOPMENT ROLLER:F RONT:1	U006_S023	140	1	O/O			
			D1363406	SEAL:DEVELOPMENT ROLLER:F RONT	D0A53457	SEAL:DEVELOPMENT ROLLER:F RONT:1	U006_S020	140	1	O/O			
			D1363406	SEAL:DEVELOPMENT ROLLER:F RONT	D0A53457	SEAL:DEVELOPMENT ROLLER:F RONT:1	U006_S017	140	1	O/O			
			D1363406	SEAL:DEVELOPMENT ROLLER:F RONT	D0A53457	SEAL:DEVELOPMENT ROLLER:F RONT:1	U006_S014	140	1	O/O			
			D1363406	SEAL:DEVELOPMENT ROLLER:F RONT	D0A53457	SEAL:DEVELOPMENT ROLLER:F RONT:1	U006_S011	140	1	O/O			
202011-05	2011 Modification	-	D1949701	DEVELOPER CL EAR	D0A59735	DEVELOPER CL EAR	U006	141	1	O/O			
			D1949701	DEVELOPER CL EAR	D0A59735	DEVELOPER CL EAR	U006	141	1	O/O			
202011-06	2011 Modification	-			D1792793	ARM:TIMING ROL	U011_S002	278	1				

Design Change List

Number	Title	Set	Old Part		New Part		Index No.		Q'ty	Interchg		Reason	Cut-in S/N
			P/N	Name	P/N	Name	Group	ID		Indiv.	Set		
		-				LER:FRONT							
202011-07	2011 Modification	-			D1792795	ARM:TIMING ROLLER:INNER BACK	U011_S002	279	1				
202011-08	2011 Modification	-			D0A56144	BRACKET:INTERMEDIATE TRANSFER:REAR	U007	229	3				
202011-09	2011 Modification	-			D0A56147	BRACKET:INTERMEDIATE TRANSFER:FRONT	U007	230	3				
202010-01	2010 Modification	-	D1946148	SYNCHRONOUS BELT:80S2M224	AA043996	SYNCHRONOUS BELT:80S2M224	U007	227	1	O/O			
202009-01	2009 Modification	-	D0A54009	(EU/AA/TWN/KOR/CHN):FUSING UNIT:230V:ASS'Y	D0A54019	(EU/AA/TWN/KOR/CHN):FUSING UNIT:230V:ASS'Y	U012	227	1	O/O			
202009-02	2009 Modification	A	D0746144	BRACKET:INTERMEDIATE TRANSFER:FRONT	D0A56044	BRACKET:INTERMEDIATE TRANSFER:FRONT	U007	225	1	X/O			
			D0746144	BRACKET:INTERMEDIATE TRANSFER:FRONT	D0A56044	BRACKET:INTERMEDIATE TRANSFER:FRONT	U007	225	1	X/O			
202009-03	2009 Modification	A	D0746145	BRACKET:INTERMEDIATE TRANSFER:REAR	D0A56045	BRACKET:INTERMEDIATE TRANSFER:REAR	U007	226	1	X/O			
			D0746145	BRACKET:INTERMEDIATE TRANSFER:REAR	D0A56045	BRACKET:INTERMEDIATE TRANSFER:REAR	U007	226	1	X/O			
202008-01	2008 Modification	-			D0A51228	HARNESS:CIS:IMAGE DATA:3.5:ASS'Y	H4(14/21)		1				

Design Change List

Number	Title	Set	Old Part		New Part		Index No.		Q'ty	Interchg		Reason	Cut-in S/N
			P/N	Name	P/N	Name	Group	ID		Indiv.	Set		
202008-02	2008 Modification	-			D0A55474	PCB:SSB	U013_S004	258	1				
202008-03	2008 Modification	-			D0A52915	SHAFT:ARM:REGISTRATION:TIMING	U011_S002	277	1				
202007-01	2007 Modification	-			D0A55327	HARNESS:LEFT:FFC:CRB:CIS	F15(6/21)		1				
202006-03	2006 Modification	-			D1943653	BRACKET:INNER COVER:TONER BANK:PEEN	U005	177	2				
202006-04	2006 Modification	-			D0A55327	HARNESS:LEFT:FFC:CRB:CIS	G15(9/21)		1				
202006-06	2006 Modification	-	D0743855	BRACKET:SENSOR:VACUUM	D0A53857	BRACKET:SENSOR:VACUUM	U011_S001	276	1	X/O			
			D0743855	BRACKET:SENSOR:VACUUM	D0A53857	BRACKET:SENSOR:VACUUM	U011_S001	276	1	X/O			
202006-07	2006 Modification	-			D0A54459	STAY:LOCK:LEVER:GUIDE PLATE	U013	257	2				
202005-01	2005 Modification	-	AW010147	PHOTO REFLECTION SENSOR			U012_S003_S003	78	1			New Part Number D0A54224, Int X/O	
202005-02	2005 Modification	-	D0A54067	GUIDE PLATE:FUSING EXIT:UPPER			U012_S003_S003_S002	160	1			New Part Number D0A54224, Int X/O	
202005-03	2005 Modification	-			D0A54224	GUIDE PLATE:FUSING EXIT:UPPER:ASS'Y	U012_S003_S003_S002	226	1			Old Part Number AW010147/D0A54067, Int X/O	
202005-04	2005 Modification	-	AA143797	CONNECTOR GUIDE PIN	G1787515	CONNECTOR GUIDE PIN:CONNECTOR	U019	59	1	X/O			
			AA143797	CONNECTOR GUIDE PIN	G1787515	CONNECTOR GUIDE PIN:CONNECTOR	U019	59	1	X/O			

Design Change List

Number	Title	Set	Old Part		New Part		Index No.		Q'ty	Interchg		Reason	Cut-in S/N
			P/N	Name	P/N	Name	Group	ID		Indiv.	Set		
		-		IDE PIN		IDE PIN:CONNECTOR							
			AA143797	CONNECTOR GUIDE PIN	G1787515	CONNECTOR GUIDE PIN:CONNECTOR	U019	59	1	X/O			
			AA143797	CONNECTOR GUIDE PIN	G1787515	CONNECTOR GUIDE PIN:CONNECTOR	U019	59	1	X/O			
202005-05	2005 Modification	-	AA043647	TIMING BELT:60S2M188	AA043737	TIMING BELT:60S2M188	U004	353	1	O/O			
			AA043647	TIMING BELT:60S2M188	AA043737	TIMING BELT:60S2M188	U004	353	1	O/O			
202005-06	2005 Modification	-	J5077022	TIMING PULLEY:TRANSPORT:2	M0B17680	TIMING PULLEY:TRANSPORT ROLLER:PEEN	U013	256	1	X/O			
202005-07	2005 Modification	-	D0A52611	TRANSPORT UNIT:ASS'Y	D0A52612	TRANSPORT UNIT:ASS'Y	U011	184	1	X/O			
202005-08	2005 Modification	-	D1949720	DEVELOPER NEON-PINK	D0A59715	DEVELOPER NEON-PINK	U006	138	1	O/O			
			D1949720	DEVELOPER NEON-PINK	D0A59715	DEVELOPER NEON-PINK	U006	138	1	O/O			
202005-09	2005 Modification	-			11036013	CONNECTOR:BU31P-TCS-LE(LF)(SN)	U007	224	1				
202005-10	2005 Modification	-			D0A54041	FRAME:SEPARATION SUB-UNIT	U012_S003	224	1				
202005-11	2005 Modification	-			D0A54046	FEELER:HEAT ROLLER:TURN	U012_S003	225	1				
202004-03	2004 Modification	A	D0744381	DECAL:FUSING UNIT:POSITIONI	D0A54266	DECAL:FUSING UNIT:POSITIONI	U012_S003	223	1	O/O			

Design Change List

Number	Title	Set	Old Part		New Part		Index No.		Q'ty	Interchg		Reason	Cut-in S/N
			P/N	Name	P/N	Name	Group	ID		Indiv.	Set		
				NG		NG							
202004-04	2004 Modification	A	D0A53995	JOINT:KNOB:FUSING	D0A53947	JOINT:KNOB:FUSING	U012_S003	221	1	O/O			
202004-05	2004 Modification	-	D1944186	DECAL:WARNING (REMOVAL AND INSTALLATION):FUSING	D0A54265	DECAL:WARNING (REMOVAL AND INSTALLATION):FUSING	U012_S003_S001	222	1	O/O			
202003-02	2003 Modification	-			D0A52980	GUIDE PLATE:REGISTRATION:EXIT:PEEN	U011_S002_S002	274	1				
202003-03	2003 Modification	-			11050837	RIVETS:P3035-W	U011_S002	273	3				
202002-01	2002 Modification	-	D1949710	DEVELOPER NEON-YELLOW	D0A59705	DEVELOPER NEON YELLOW	U006	136	1	O/O			
			D1949710	DEVELOPER NEON-YELLOW	D0A59705	DEVELOPER NEON YELLOW	U006	136	1	O/O			
202002-02	2002 Modification	-	D1949730	DEVELOPER INVISIBLE-RED	D0A59725	DEVELOPER INVISIBLE-RED	U006	137	1	O/O			
			D1949730	DEVELOPER INVISIBLE-RED	D0A59725	DEVELOPER INVISIBLE-RED	U006	137	1	O/O			
202002-04	2002 Modification	-			D1945906	BRACKET:POWER PACK	U016	60	2				
202002-05	2002 Modification	-			D1945908	BRACKET:BASE:ELECTRIC POTENTIAL SENSOR	U016	61	2				
202002-06	2002 Modification	-			D0A53015	REFLECTANCE TARGETS SHEET: CONTACT IMAGE1 SENSOR:CORRECT	U011_S002_S002_S00	272	1				
202002-07	2002 Modification	-			D0A52591	DECAL:PCDU_H	U006	130	1				

Design Change List

Number	Title	Set	Old Part		New Part		Index No.		Q'ty	Interchg		Reason	Cut-in S/N
			P/N	Name	P/N	Name	Group	ID		Indiv.	Set		
		-				OPPER:K							
					D0A52591	DECAL:PCDU_H OPPER:K	U006	130	1				
202002-08	2002 Modification	-			D0A52592	DECAL:PCDU_H OPPER:W	U006	131	1				
					D0A52592	DECAL:PCDU_H OPPER:W	U006	131	1				
202002-09	2002 Modification	-			D0A52593	DECAL:PCDU_H OPPER:CLR	U006	132	1				
					D0A52593	DECAL:PCDU_H OPPER:CLR	U006	132	1				
202002-10	2002 Modification	-			D0A52595	DECAL:PCDU_H OPPER:NEON-Y	U006	133	1				
					D0A52595	DECAL:PCDU_H OPPER:NEON-Y	U006	133	1				
202002-11	2002 Modification	-			D0A52596	DECAL:PCDU_H OPPER:NEON-P	U006	134	1				
					D0A52596	DECAL:PCDU_H OPPER:NEON-P	U006	134	1				
202002-12	2002 Modification	-			D0A52597	DECAL:PCDU_H OPPER:IV-R	U006	135	1				
					D0A52597	DECAL:PCDU_H OPPER:IV-R	U006	135	1				
202001-02	2001 Modification	-	AX060435	DC MOTOR:GEAR:10W:BRUSHLESS	AX060535	DC MOTOR:GEAR:10W	U013	255	1	X/O			
201912-01	1912 Modification	-	D0A57659	OPTICAL READING UNIT:COOLING:EXIT:ASS'Y	D0A57640	OPTICAL READING UNIT:COOLING:EXIT:ASS'Y	U013	254	1	X/O			
201912-02	1912 Modification	-			D0A54611	GUIDE PLATE:EX	U013	252	1				

Design Change List

Number	Title	Set	Old Part		New Part		Index No.		Q'ty	Interchg		Reason	Cut-in S/N
			P/N	Name	P/N	Name	Group	ID		Indiv.	Set		
		-				IT:GATE							
201912-03	1912 Modification	-			D0A54905	TRANSPORT ROLLER:DRIVEN PRESS FIT	U013_S004	253	1				
201911-03	1911 Modification	-	D0A57654	OPTICAL READING UNIT:COOLING:EXIT:ASS'Y	D0A57659	OPTICAL READING UNIT:COOLING:EXIT:ASS'Y	U013	249	1	O/O			
201911-04	1911 Modification	-	D0A53545	TONER BANK:ASS'Y	D0A53546	TONER BANK:ASS'Y	U005_S031	176	1	O/O			
			D0A53545	TONER BANK:ASS'Y	D0A53546	TONER BANK:ASS'Y	U005_S029	176	1	O/O			
			D0A53545	TONER BANK:ASS'Y	D0A53546	TONER BANK:ASS'Y	U005_S027	176	1	O/O			
			D0A53545	TONER BANK:ASS'Y	D0A53546	TONER BANK:ASS'Y	U005_S025	176	1	O/O			
			D0A53545	TONER BANK:ASS'Y	D0A53546	TONER BANK:ASS'Y	U005_S016	176	1	O/O			
			D0A53545	TONER BANK:ASS'Y	D0A53546	TONER BANK:ASS'Y	U005_S014	176	1	O/O			
			D0A53545	TONER BANK:ASS'Y	D0A53546	TONER BANK:ASS'Y	U005_S012	176	1	O/O			
			D0A53545	TONER BANK:ASS'Y	D0A53546	TONER BANK:ASS'Y	U005_S010	176	1	O/O			
201911-05	1911 Modification	-	D1797544	SIDE FENCE:TANDEM LCT:LEFT REAR:ASS'Y	D0A57144	SIDE FENCE:TANDEM LCT:LEFT REAR:ASS'Y	U004_S002_S001	367	1	X/O			
201911-06	1911 Modification	-			D0A57722	DECAL:H-TEMP WARNING:PAPE R FEED:INNER BACK	U001_S008	76	1				

Design Change List

Number	Title	Set	Old Part		New Part		Index No.		Q'ty	Interchg		Reason	Cut-in S/N
			P/N	Name	P/N	Name	Group	ID		Indiv.	Set		
		-			D0A57722	DECAL:H-TEMP WARNING:PAPE R FEED:INNER B ACK	U001_S010	76	1				
201911-07	1911 Modification	-			D0A57723	DECAL:H-TEMP WARNING:PAPE R FEED:FRONT RIGHT	U001_S008	77	1				
					D0A57723	DECAL:H-TEMP WARNING:PAPE R FEED:FRONT RIGHT	U001_S010	77	1				
201911-08	1911 Modification	-			D0A57725	DECAL:H-TEMP WARNING:EXIT:L EFT REAR	U013	250	1				
201911-09	1911 Modification	-			D0A57726	DECAL:H-TEMP WARNING:EXIT:L EFT FRONT	U013	251	1				
201911-11	1911 Modification	-	D1945398	HARNESS:DEBU G:MONITOR:SER VICE:CONNECTI NG	M0B15888	HARNESS:DEBU G:MONITOR:SER VICE	SPECIAL T OOLS	19	1	O/O			
201911-13	1911 Modification	-	D0A55242		D0A55342	HARNESS:PULL OUT:LEFT:TACT	H6(6/21)		1				
201911-14	1911 Modification	-	D0A53327	HARNESS:DENSI TY SENSOR:AW G28			G16(9/21)		0				
201910-01	1910 Modification	-			D0A52510	CUSHION:CLEAN ING UNIT:ASS'Y	U006_S012	127	2				
							U006_S015	127	2				
							U006_S018	127	2				

Design Change List

Number	Title	Set	Old Part		New Part		Index No.		Q'ty	Interchg		Reason	Cut-in S/N
			P/N	Name	P/N	Name	Group	ID		Indiv.	Set		
		-					U006_S021	127	2				
							U006_S024	127	2				
							U006_S036	127	2				
							U006_S039	127	2				
							U006_S042	127	2				
							U006_S045	127	2				
201909-02	1909 Modification	-	D1947631	PAPER TRAY:UNIVERSAL:SUB-ASSY	D0BX7631	PAPER TRAY:UNIVERSAL:SUB-ASSY	U004_S005	327	1	O/O			
201908-01	1908 Modification	-			D3DK7700	DECAL:POWER SUPPLY UNIT:N: DESIGN SKETCH	U019	58	1				
					D3DK7700	DECAL:POWER SUPPLY UNIT:N: DESIGN SKETCH	U019	58	1				
201907-01	1907 Modification	-			D1948515	LIQUID COOLING:PT:ASSY	U017_S003	107	1				
201907-02	1907 Modification	-			D0A53408	SHAFT:DRIVE:TONER SUPPLY	U005	174	2				
201907-03	1907 Modification	-			D0743819	PLATE:ROLLER:TENSION	U007_S001	222	1				
201907-04	1907 Modification	-			11036080	CONNECTOR:14R-RIZ-K4GG-FL(LF)(SN)	U005	173	1				
							U019	57	1				
201907-05	1907 Modification	-			D1944279	GUIDE PLATE:SEPARATION SUB-UNIT:PRESSURE	U012_S003_S004	210	1				
201907-06	1907 Modification	-	AW020198	PHOTOINTERRUPTOR:LG2A14NL1	GW020024	PHOTOINTERRUPTOR:LG2A24BL1:GF	U004_S002	366	1	O/O			

Design Change List

Number	Title	Set	Old Part		New Part		Index No.		Q'ty	Interchg		Reason	Cut-in S/N
			P/N	Name	P/N	Name	Group	ID		Indiv.	Set		
		-	AW020198	PHOTOINTERRU PTOR:LG2A14NL 1	GW020024	PHOTOINTERRU PTOR:LG2A24BL 1:GF	U004_S002	366	1	O/O			
			AW020198	PHOTOINTERRU PTOR:LG2A14NL 1	GW020024	PHOTOINTERRU PTOR:LG2A24BL 1:GF	U004_S001	366	1	O/O			
			AW020198	PHOTOINTERRU PTOR:LG2A14NL 1	GW020024	PHOTOINTERRU PTOR:LG2A24BL 1:GF	U004_S001	366	1	O/O			
			AW020198	PHOTOINTERRU PTOR:LG2A14NL 1	GW020024	PHOTOINTERRU PTOR:LG2A24BL 1:GF	U004_S001	366	1	O/O			
			AW020198	PHOTOINTERRU PTOR:LG2A14NL 1	GW020024	PHOTOINTERRU PTOR:LG2A24BL 1:GF	U004_S001	366	1	O/O			
			AW020198	PHOTOINTERRU PTOR:LG2A14NL 1	GW020024	PHOTOINTERRU PTOR:LG2A24BL 1:GF	U004_S001	366	1	O/O			
			AW020198	PHOTOINTERRU PTOR:LG2A14NL 1	GW020024	PHOTOINTERRU PTOR:LG2A24BL 1:GF	U004_S001	366	1	O/O			
			AW020198	PHOTOINTERRU PTOR:LG2A14NL 1	GW020024	PHOTOINTERRU PTOR:LG2A24BL 1:GF	U004_S001	366	1	O/O			
			AW020198	PHOTOINTERRU PTOR:LG2A14NL 1	GW020024	PHOTOINTERRU PTOR:LG2A24BL 1:GF	U004_S001	366	1	O/O			

Design Change List

Number	Title	Set	Old Part		New Part		Index No.		Q'ty	Interchg		Reason	Cut-in S/N
			P/N	Name	P/N	Name	Group	ID		Indiv.	Set		
201907-08	1907 Modification	-	M0BJ5730	PCB:MAIN:COM:ASS'Y	M0BJ5732	PCB:MAIN:COM:ASS'Y	U002_S001_S001	24	1	O/O			
201907-09	1907 Modification	-	D0A56253	PULLEY:ON-OFF:TRANSFER ROLLER:S2M:27T	D0A56257	PULLEY:ON-OFF:S2M:27T:MELTING ADHESION	U007	223	1	X/O			
201907-10	1907 Modification	-	D0A55476	PCB:SSB_R	D0A55472	PCB:SSB_R	U011_S002	271	1	X/O			
201907-11	1907 Modification	-	D0143655	ELECTRIC POTE NTIAL SENSOR			U006_S001	23	1	X/O		New part number D0A52269, Int X/O	
							U006_S002	23	1				
							U006_S003	23	1				
							U006_S004	23	1				
							U006_S025	23	1				
							U006_S026	23	1				
							U006_S027	23	1				
							U006_S028	23	1				
201907-12	1907 Modification	-				D0A52269	ELECTRIC POTE	125	1	X/O		Old part number D0143655, Int X/O	
							NTIAL SENSOR						
							U006_S001						
							U006_S002						
							U006_S003						
							U006_S004						
							U006_S025						
							U006_S026						
U006_S027													
U006_S028													
201905-01	1905 Modification	-			D1941371	STAY:MAIN:RIGHT UPPER:ASS'Y	U019	56	1				
201905-04	1905 Modification	-			D0A51164	COVER:TONER SUPPLY	U019	55	1				
201905-05	1905 Modification	-	D0146780	TRAY BOTTOM PLATE:ASS'Y	D0BX6780	TRAY BOTTOM PLATE:ASS'Y	U004_S005	365	1	O/O			
201905-06	1905 Modification	-	D0A52301	PCU:ASS'Y	D0A52302	PCU:ASS'Y	U006_S044	124	1	X/O			
			D0A52301	PCU:ASS'Y	D0A52302	PCU:ASS'Y	U006_S041	124	1	X/O			

Design Change List

Number	Title	Set	Old Part		New Part		Index No.		Q'ty	Interchg		Reason	Cut-in S/N
			P/N	Name	P/N	Name	Group	ID		Indiv.	Set		
		-	D0A52301	PCU:ASS'Y	D0A52302	PCU:ASS'Y	U006_S038	124	1	X/O			
			D0A52301	PCU:ASS'Y	D0A52302	PCU:ASS'Y	U006_S035	124	1	X/O			
			D0A52301	PCU:ASS'Y	D0A52302	PCU:ASS'Y	U006_S023	124	1	X/O			
			D0A52301	PCU:ASS'Y	D0A52302	PCU:ASS'Y	U006_S020	124	1	X/O			
			D0A52301	PCU:ASS'Y	D0A52302	PCU:ASS'Y	U006_S017	124	1	X/O			
			D0A52301	PCU:ASS'Y	D0A52302	PCU:ASS'Y	U006_S014	124	1	X/O			
			D0A52301	PCU:ASS'Y	D0A52302	PCU:ASS'Y	U006_S011	124	1	X/O			
201904-02	1904 Modification	-	D0A56331	TENSION SPRING:PRESSURE:INTERMEDIATE TRANSFER:13N	D0A56071	TENSION SPRING:PRESSURE:INTERMEDIATE TRANSFER:8N:RED	U007	218	1	X/O			
			D0A56331	TENSION SPRING:PRESSURE:INTERMEDIATE TRANSFER:13N	D0A56071	TENSION SPRING:PRESSURE:INTERMEDIATE TRANSFER:8N:RED	U007	218	1	X/O			
201904-06	1904 Modification	-	B2346541	FEED DRIVE SHAFT	D2706541	SHAFT:DRIVE:FEED:ASS'Y	U004	364	1	O/O			
			B2346541	FEED DRIVE SHAFT	D2706541	SHAFT:DRIVE:FEED:ASS'Y	U004	364	1	O/O			
201904-07	1904 Modification	-			D0A54120	SUPPORTING PLATE:LEVER:PRESSURE	U012_S003	164	1				
201904-08	1904 Modification	-			D0A54774	DRIVE ROLLER:SCANNING:PAPER:SUB SCANNING:PRESS FIT	U013	248	1				
201904-09	1904 Modification	-			D0A56070	SERVICE PARTS:INTERMEDIATE TRANSFER:COIL SPRING:SET:A	U007_S003	217	1				

Design Change List

Number	Title	Set	Old Part		New Part		Index No.		Q'ty	Interchg		Reason	Cut-in S/N
			P/N	Name	P/N	Name	Group	ID		Indiv.	Set		
201904-10	1904 Modification	-			D0A56072	TENSION SPRING:PRESSURE:INTERMEDIATE TRANSFER:13N:GREEN	U007_S003	219	6				
201904-11	1904 Modification	-			D0A56075	SERVICE PARTS:INTERMEDIATE TRANSFER:COIL SPRING:SET:B	U007_S002	220	1				
201904-12	1904 Modification	-			D0A56081	TENSION SPRING:PRESSURE:INTERMEDIATE TRANSFER:12.5N:BLUE	U007_S002	221	4				
201903-01	1903 Modification	-			M0BH7745	COVER:UPPER MIDDLE	U001	75	1				
201902-01	1902 Modification	-			D0A56242	TENSION SPRING:PRESSURE:INTERMEDIATE TRANSFER:17N	U007_S002	216	6				
201902-05	1902 Modification	-	D0A55327	HARNESS:LEFT:FFC:CRB:CIS	D0A53327	HARNESS:DENSITY SENSOR:AWG28	F/G/H/I/J-14(8/21),G15(9/21)		6				
201902-06	1902 Modification	A	D0A55222	HARNESS:MAIN:LEFT:UPPER	D0A55290	HARNESS:MAIN:LEFT:UPPER	I6(2/21),H4(3/21),E4(5/21),F4(6/21),C5/F7(7/21),C6(13/21),H5(17/21),C9(20/21),B3		1	X/O		SET[A] 11050702(201901-06)/11050758(201901-07)	

Design Change List

Number	Title	Set	Old Part		New Part		Index No.		Q'ty	Interchg		Reason	Cut-in S/N
			P/N	Name	P/N	Name	Group	ID		Indiv.	Set		
							(21/21)						
201901-01	1901 Modification	-			D0A53710	SEAL:REAR:SLIDER:TONER BANK:T6	U005_S010	172	1				
							U005_S012	172	1				
							U005_S014	172	1				
							U005_S016	172	1				
							U005_S025	172	1				
							U005_S027	172	1				
							U005_S029	172	1				
							U005_S031	172	1				
201901-04	1901 Modification	-			D0746212	SEAL:TRANSFER ROLLER:REAR	U009_S001	44	1				
201901-05	1901 Modification	-			D0746213	SEAL:TRANSFER ROLLER:FRONT	U009_S001	45	1				
201901-06	1901 Modification	A			11050702	CLAMP:LWC-3AB	U016	59	1				
201901-07	1901 Modification	A			11050758	CLAMP:LWSM-0306A	U016	17	1				
					11050758	CLAMP:LWSM-0306A	U016	17	1				
201901-08	1901 Modification	-			11029805	CONNECTOR:6-292233-0	U019	52	1				
					11029805	CONNECTOR:6-292233-0	U019	52	1				
201812-01	1812 Modification	-	AA161129	CUSHION - LARGE	AA161177	CUSHION:BASE:TANDEM LCT:LARGE	U004_S001	362	1	O/O			
201812-02	1812 Modification	-	AA161130	CUSHION - SMALL	AA161178	CUSHION:BASE:TANDEM LCT:SMALL	U004_S001	363	2	O/O			
201812-04	1812 Modification	-	D2035453	(Pro C7200SX/C7210SX/C7200X/C	D0A55517	(Pro C7200SX/C7210SX/C7200X/C	U005	168	1	X/O			

Design Change List

Number	Title	Set	Old Part		New Part		Index No.		Q'ty	Interchg		Reason	Cut-in S/N
			P/N	Name	P/N	Name	Group	ID		Indiv.	Set		
		-		7210X):PCB:RFID -AFE:S		7210X):PCB:RFID -AFE:S							
201812-05	1812 Modification	-	M0BJ5723	OPERATION SUB -UNIT:KEY_BOX: ASS'Y	M0BJ5728	OPERATION SUB -UNIT:KEY_BOX: ASS'Y	U002_S001	22	1	O/O			
201812-07	1812 Modification	-	D0A57598	ROLLER:SHADIN G:WHITE:SMALL: PRESS FIT	D0A57521	ROLLER:SHADIN G:WHITE:SMALL: PRESS FIT	U013_S005	247	1	X/O			
201812-08	1812 Modification	-			D0A53588	BRACKET:RACK: STOPPER	U005_S010	167	1				
							U005_S012	167	1				
							U005_S014	167	1				
							U005_S016	167	1				
							U005_S025	167	1				
							U005_S027	167	1				
							U005_S029	167	1				
							U005_S031	167	1				
201812-09	1812 Modification	-			D1943707	SLIDER:TONER BANK	U005_S010	169	1				
							U005_S012	169	1				
							U005_S014	169	1				
							U005_S016	169	1				
							U005_S025	169	1				
							U005_S027	169	1				
							U005_S029	169	1				
							U005_S031	169	1				
201812-10	1812 Modification	-			D1943708	SEAL:INNER:SLI DER:TONER BAN K	U005_S010	170	1				
							U005_S012	170	1				
							U005_S014	170	1				
							U005_S016	170	1				
							U005_S025	170	1				
							U005_S027	170	1				

Design Change List

Number	Title	Set	Old Part		New Part		Index No.		Q'ty	Interchg		Reason	Cut-in S/N
			P/N	Name	P/N	Name	Group	ID		Indiv.	Set		
		-					U005_S029	170	1				
							U005_S031	170	1				
201812-11	1812 Modification	-			D1943709	SEAL:OUTER:SLIDER:TONER BANK	U005_S010	171	1				
							U005_S012	171	1				
							U005_S014	171	1				
							U005_S016	171	1				
							U005_S025	171	1				
							U005_S027	171	1				
							U005_S029	171	1				
							U005_S031	171	1				
201812-12	1812 Modification	-	D0A55319	HARNESS:RIGHT:FAN:SENSOR:CONNECTING	D0A55321	HARNESS:RIGHT:FAN:SENSOR:CONNECTING	D13(9/22)		1	X/O			
201811-01	1811 Modification	-			D0A57806	COVER:MAIN:RIGHT:ASS'Y	U001_S006	74	1				
201811-02	1811 Modification	-			D1943356	POSITIONING PLATE:MAIN POLE:ASS'Y	U006_S011	123	1				
							U006_S014	123	1				
							U006_S017	123	1				
							U006_S020	123	1				
							U006_S023	123	1				
							U006_S035	123	1				
							U006_S038	123	1				
							U006_S041	123	1				
							U006_S044	123	1				
201811-07	1811 Modification	-			M0BJ5730	PCB:MAIN:COM:ASS'Y	U002_S001	21	1				
201811-08	1811 Modification	-			D0A55390	HARNESS:BLASTER:CRB:CONNECTING	SPECIAL TOOLS	16	1				
201811-13	1811 Modification	-			D1945398	HARNESS:DEBU							

Design Change List

Number	Title	Set	Old Part		New Part		Index No.		Q'ty	Interchg		Reason	Cut-in S/N
			P/N	Name	P/N	Name	Group	ID		Indiv.	Set		
		-				G:MONITOR:SER VICE:CONNECTI NG							
201811-14	1811 Modification	-			G1785397	PCB:SIFB:CROS S	SPECIAL T OOLS	18	1				
201810-01	1810 Modification	-	D0A52300	PCU:ASS'Y	D0A52301	PCU:ASS'Y	U006	122	1	X/O			
			D0A52300	PCU:ASS'Y	D0A52301	PCU:ASS'Y	U006	122	1	X/O			
			D0A52300	PCU:ASS'Y	D0A52301	PCU:ASS'Y	U006	122	1	X/O			
			D0A52300	PCU:ASS'Y	D0A52301	PCU:ASS'Y	U006	122	1	X/O			
			D0A52300	PCU:ASS'Y	D0A52301	PCU:ASS'Y	U006	122	1	X/O			
			D0A52300	PCU:ASS'Y	D0A52301	PCU:ASS'Y	U006	122	1	X/O			
			D0A52300	PCU:ASS'Y	D0A52301	PCU:ASS'Y	U006	122	1	X/O			
			D0A52300	PCU:ASS'Y	D0A52301	PCU:ASS'Y	U006	122	1	X/O			
			D0A52300	PCU:ASS'Y	D0A52301	PCU:ASS'Y	U006	122	1	X/O			
201810-02	1810 Modification	-			D0AK5100	SD-CARD:NICE:A PPLICATION:ASS 'Y	U016	58	1				
					D0AK5100	SD-CARD:NICE:A PPLICATION:ASS 'Y	U016	58	1				
201809-02	1809 Modification	-	M0BJ5722	OPERATION SUB -UNIT:KEY_BOX: ASS'Y	M0BJ5723	OPERATION SUB -UNIT:KEY_BOX: ASS'Y	U002	18	1	X/O			
201809-04	1809 Modification	-			D0A54427	LEVER:GUIDE PL ATE:EXIT:UPPER :OPEN AND CLO SE	U013	246	2				
201808-01	1808 Modification	-	D3AK3000	(CHN[Pro C7200S X/C7200/C7210/C 7200X/C7210X]);{(D3AK3006	(CHN):MAIN:ASS' Y	U020_S005	58	1	X/O			

Design Change List

Number	Title	Set	Old Part		New Part		Index No.		Q'ty	Interchg		Reason	Cut-in S/N
			P/N	Name	P/N	Name	Group	ID		Indiv.	Set		
		-		AA/TWN[Pro C7200/C7200X/C7210X]):MAIN:ASS'Y									
			D3AK3000	(CHN[Pro C7200SX/C7200/C7210/C7200X/C7210X]):(AA/TWN[Pro C7200/C7200X/C7210X]):MAIN:ASS'Y	D3AK3006	(CHN):MAIN:ASS'Y	U020_S010	58	1	X/O			
			D3AK3000	(CHN[Pro C7200SX/C7200/C7210/C7200X/C7210X]):(AA/TWN[Pro C7200/C7200X/C7210X]):MAIN:ASS'Y	D3AK3006	(CHN):MAIN:ASS'Y	U020_S015	58	1	X/O			
			D3AK3000	(CHN[Pro C7200SX/C7200/C7210/C7200X/C7210X]):(AA/TWN[Pro C7200/C7200X/C7210X]):MAIN:ASS'Y	D3AK3006	(CHN):MAIN:ASS'Y	U020_S020	58	1	X/O			
201808-02	1808 Modification	-			D0744564	BRACKET:REVE RSE:SENSOR	U013	244	1				
201808-03	1808 Modification	-			09574008N	SCREW:SMALL ROUND/SPRING:M4X8	U004_S004	355	1				
201808-04	1808 Modification	-			D0A57678	HEAT SINK:HEATER:LOWER:ASS'Y	U004_S003	360	1				
201808-05	1808 Modification	-			D0A57679	HEAT SINK:HEAT	U004_S004	361	1				

Design Change List

Number	Title	Set	Old Part		New Part		Index No.		Q'ty	Interchg		Reason	Cut-in S/N
			P/N	Name	P/N	Name	Group	ID		Indiv.	Set		
		-				ER:UPPER:ASS'Y							
201808-06	1808 Modification	-			B0656118	GUIDE PLATE:HEAT SINK:UPPER:FIBER	U004_S004	358	1				
201808-07	1808 Modification	-			D0747684	HEAT SINK:HEATER:UPPER:FIBER	U004_S004	359	1				
201808-08	1808 Modification	-			D0A54770	GUIDE:COOLING:ENTRANCE	U013_S001	245	26				
201808-09	1808 Modification	-			D1948520	(Pro C7200SX/C7210SX/C7200X/C7210X):SERVICE PARTS:DECAL:NEON_Y:ASS'Y	U006	121	1				
201807-02	1807 Modification	-			D0A54647	LINK:REVERSE ROLLER:ASS'Y	U013_S002	243	1				
201807-03	1807 Modification	-			D0A52940	HOLDER:ELECTRICAL COMPONENTS SECTION:ASS'Y	U011_S002	270	1				
201807-04	1807 Modification	-			D0894252	GUIDE:FUSING EXIT:PFA	U012_S003_S004	143	13				
201807-06	1807 Modification	-	07423808	BALL BEARING - 8X16X5	07433808	RADIAL BALL BEARING:DIA8XDIA16X5	U004	354	1	O/O			
			07423808	BALL BEARING - 8X16X5	07433808	RADIAL BALL BEARING:DIA8XDIA16X5	U004	354	1	O/O			
			07423808	BALL BEARING - 8X16X5	07433808	RADIAL BALL BEARING:DIA8XDIA16X5	U004	354	1	O/O			

Design Change List

Number	Title	Set	Old Part		New Part		Index No.		Q'ty	Interchg		Reason	Cut-in S/N
			P/N	Name	P/N	Name	Group	ID		Indiv.	Set		
		-	07423808	BALL BEARING - 8X16X5	07433808	RADIAL BALL BEARING:DIA8XDIA 16X5	U004	354	1	O/O			
			07423808	BALL BEARING - 8X16X5	07433808	RADIAL BALL BEARING:DIA8XDIA 16X5	U004_S010	354	1	O/O			
			07423808	BALL BEARING - 8X16X5	07433808	RADIAL BALL BEARING:DIA8XDIA 16X5	U004_S010	354	1	O/O			
			07423808	BALL BEARING - 8X16X5	07433808	RADIAL BALL BEARING:DIA8XDIA 16X5	U004_S011	354	1	O/O			
			07423808	BALL BEARING - 8X16X5	07433808	RADIAL BALL BEARING:DIA8XDIA 16X5	U004_S011	354	1	O/O			
201805-02	1805 Modification	-			AA043737	TIMING BELT:60S 2M188	U004	353	6	O/O		Old part number A A043647,Int o/o	
201804-01	1804 Modification	-	D0A56251	ROLLER:OPPOSED:TRANSFER:APER:PRESS FIT	D1946231	ROLLER:OPPOSED:TRANSFER:APER:ASS'Y	U007	215	1	X/O			
201804-02	1804 Modification	-			D1948523	(Pro C7200SX/C7210SX/C7200X/C7210X):SERVICE PARTS:DECAL:NEON-P:ASS'Y	U006	120	1				
201804-04	1804 Modification	-			D1942550	GEAR:CLEANING:DRUM:SERVICE	U006_S012_S002	119	1				
					D1942550	GEAR:CLEANING:DRUM:SERVICE	U006_S015_S002	119	1				
					D1942550	GEAR:CLEANING	U006_S018	119	1				

Design Change List

Number	Title	Set	Old Part		New Part		Index No.		Q'ty	Interchg		Reason	Cut-in S/N
			P/N	Name	P/N	Name	Group	ID		Indiv.	Set		
		-				:DRUM:SERVICE	_S002						
					D1942550	GEAR:CLEANING	U006_S021	119	1				
						:DRUM:SERVICE	_S002						
					D1942550	GEAR:CLEANING	U006_S024	119	1				
						:DRUM:SERVICE	_S002						
					D1942550	GEAR:CLEANING	U006_S036	119	1				
						:DRUM:SERVICE	_S002						
					D1942550	GEAR:CLEANING	U006_S039	119	1				
						:DRUM:SERVICE	_S002						
					D1942550	GEAR:CLEANING	U006_S042	119	1				
						:DRUM:SERVICE	_S002						
					D1942550	GEAR:CLEANING	U006_S045	119	1				
						:DRUM:SERVICE	_S002						

