

**IM C4510/C6010/GS4045c/GS4160c**  
**(D0E2/D0E4-CHN)**  
**Parts Catalog**

**Parts change information sample**

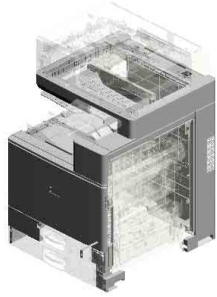
 **Add**

 **Update**

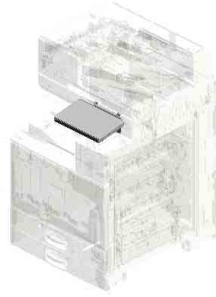
 **Delete**

Model	Product Code	PC Style
IM C3010/C3510 Series	D0E0/D0E1	3D
IM C4510/C5510/C6010 Series	D0E2/D0E3/D0E4	3D
IM C2010/C2510 Series	D0DY/D0DZ	3D
Booklet Finisher SR3330	D3K5	3D
Finisher SR3320	D3K4	3D
Platen Cover PN2010	D3KV	3D
ARDF DF3140	D3KK	3D
Caster Table Type M52	D3KV	3D
Punch Unit PU3100	D3KP	3D
Paper Feed Unit PB3340	D3KD	3D
LCIT PB3330	D3KA	3D
Paper Feed Unit PB3310	D3KB	3D
LCIT RT3050	D3K9	3D
Internal Finisher SR3310	D3KG	3D
Bridge Unit BU3100	D3KE	3D
1 Bin Tray BN3140	D3KL	3D
Internal Shift Tray SH3090	D3KJ	3D
Side Tray Type M52	D3KH	3D
Paper Feed Unit PB3320	D3KC	3D
Internal Finisher SR3360	D3KF	3D
Toner Bottle Lock Type M52	D3KW	3D
Banner Paper Guide Tray Type M52	D3KV	3D
Output Jogger Unit Type M52	D3KN	3D
Page Keeper Type M52	D3KR	3D
Card Reader Cover Type M52	D3KV	3D
Stapleless Unit Type M52	D3KM	3D
Punch Unit PU3110	D3KZ	3D
SPDF DF3150	D3K3	3D
Internal Multi-Fold Unit FD3020	D3K8	3D
Booklet Finisher SR3350	D3K6	3D
Finisher SR3340	D3K7	3D
Fax memory Unit Type M52	D3KW	Traditional
Fax Connection Unit Type M52	D3KW	Traditional
Fax Option Type M52	D3KW	Traditional
G3 Interface Unit Type M52	D3KW	Traditional
Camera Direct Print Card Type M52	D3KW	Traditional
OCR Unit Type M52	D3KW	Traditional
XPS Direct Print Option Type M52	D3KW	Traditional
PostScript3 Unit Type M52	D3KW	Traditional
IPDS Unit Type M52	D3KW	Traditional
SD Card for Fonts Type M52	D3KW	Traditional
File Format Converter Type M19	D3BR	Traditional
HDD Option Type M52 320GB	D3KW	Traditional
SSD Option Type M52 1TB	D3KW	Traditional
Device Server Option Type M52	D3KW	Traditional
Enhanced Security SSD Option Type M52 256GB	D3KW	Traditional
Imageable Area Extension Unit Type M19	D3BR	Traditional
IEEE 802.11 a/b/g/n/ac Interface Unit Type M52	D3KW	Traditional
Key Counter Bracket Type M3	D739	Traditional
NFC Card Reader Type M52	D3KV	Traditional
Optional Counter Interface Unit Type M12	B870	Traditional

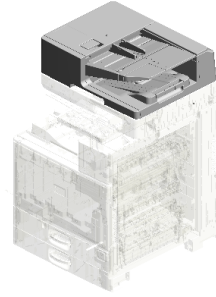
# Unit All



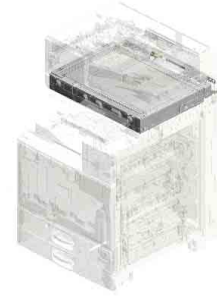
U001  
EXTERIOR



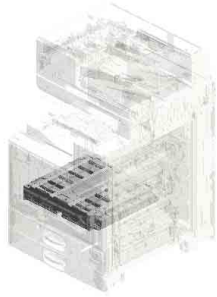
U002  
OPERATION



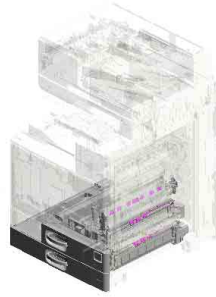
U003  
ADF



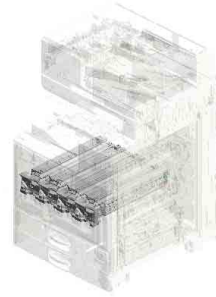
U004  
SCANNER



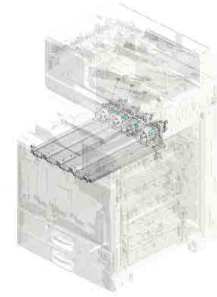
U005  
LASER UNIT



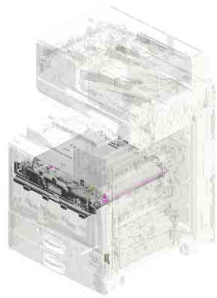
U006  
PAPER FEED



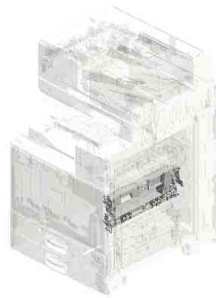
U007  
PCDU



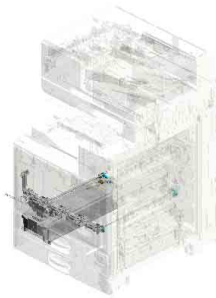
U008  
DEVELOPMENT



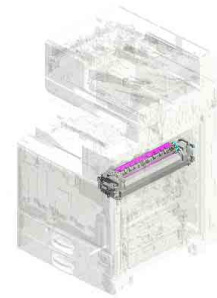
U009  
ITB UNIT



U010  
TRANSFER/SEPARATION

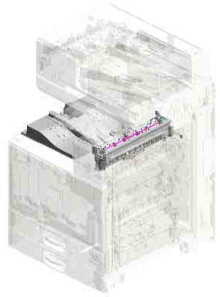


U011  
USED TONER

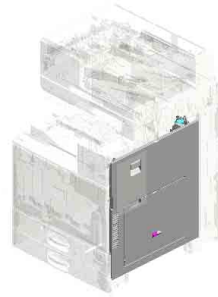


U012  
FUSING

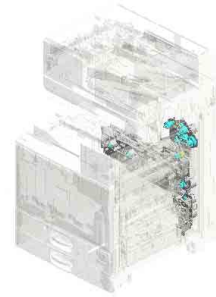
# Unit All



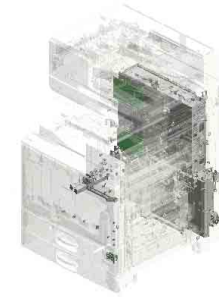
U013  
PAPER EXIT



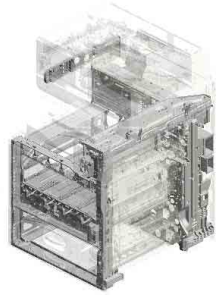
U014  
DUPLEX



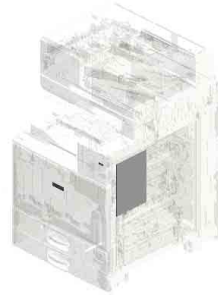
U015  
MAIN DRIVE



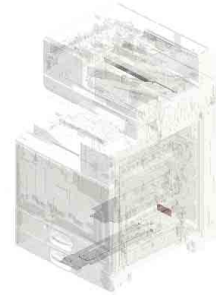
U016  
ELECTRICAL



U017  
MAIN FRAME



U018  
ACCESSORIES



U019  
HEATER

# U001.EXTERIOR

U001 S002  
D0E31240  
COVER:FRONT:ASS'Y

U001 S005  
D0E31240  
COVER:FRONT:ASS'Y

U001 S001  
D0E31274  
INNER COVER:FRONT:LOW  
ER:SUB-ASS'Y

U001 S003  
D0E31246  
COVER:FRONT:USED TONE  
R:ASS'Y

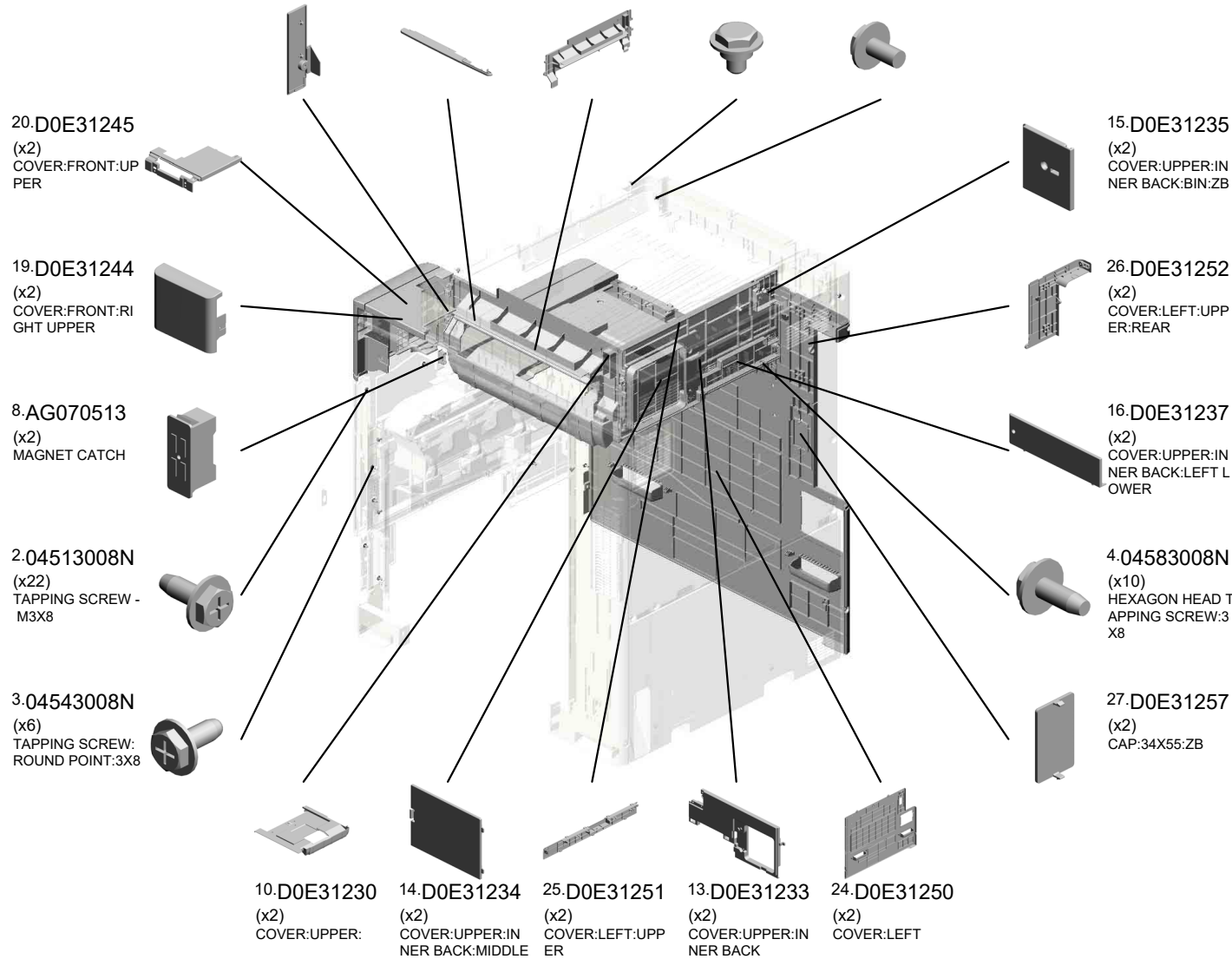
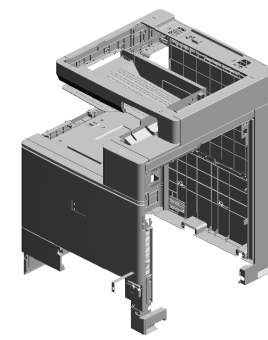
U001 S006  
D0E31246  
COVER:FRONT:USED TONE  
R:ASS'Y

U001 S004  
D0E31274  
INNER COVER:FRONT:LOW  
ER:SUB-ASS'Y

U001	U002	U003	U004	U005	U006	U007	U008	U009	U010	U011	U012	U013	U014	U015	U016	U017	U018	U019
------	------	------	------	------	------	------	------	------	------	------	------	------	------	------	------	------	------	------

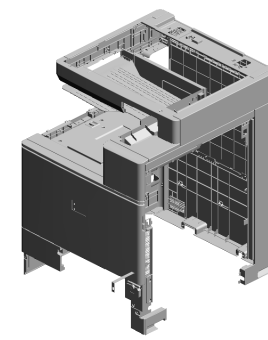
# U001 EXTERIOR

- 23.D0E31248 (x2) COVER:FRONT:LENGTHWISE
- 11.D0E31231 (x2) COVER:UPPER:FRONT
- 12.D0E31232 (x2) COVER:UPPER:EXIT
- 7.AA143537 (x4) SCREW:M3:BLACK
- 1.03603006P (x4) SCREW - M3X6



# U001 EXTERIOR

- 43.D0E31313 (x8) KEY:TYPE:TONER BOTTLE
- 40.D0E31287 (x2) COVER:SCANNER: RIGHT
- 38.D0E31281 (x2) COVER:SCANNER: FRONT
- 49.D1492373 SEAL:CASE:COATING BAR:TENSION SPRING
- 44.D0E34492 (x2) TRAY:REVERSE



- 33.D0E31267 (x2) COVER:RIGHT:UPPER

- 37.D0E31276 (x2) INNER COVER:TONER BOTTLE

- 50.D1495883 (x2) KEYPAD:MAIN SWITCH

- 51.D1495884 (x2) COMPRESSION SPRING:KEYPAD

- 36.D0E31275 (x2) INNER COVER:FRONT:RIGHT LOWER

- 32.D0E31266 (x2) COVER:RIGHT:FRONT LOWER

- 47.D1491274 (x2) INNER COVER:FRONT:USED TONER

- 31.D0E31265 (x2) COVER:RIGHT:REAR

- 42.D0E31292 (x2) CAP:HARNESS:ZB

- 28.D0E31260 (x2) COVER:REAR:LOWER

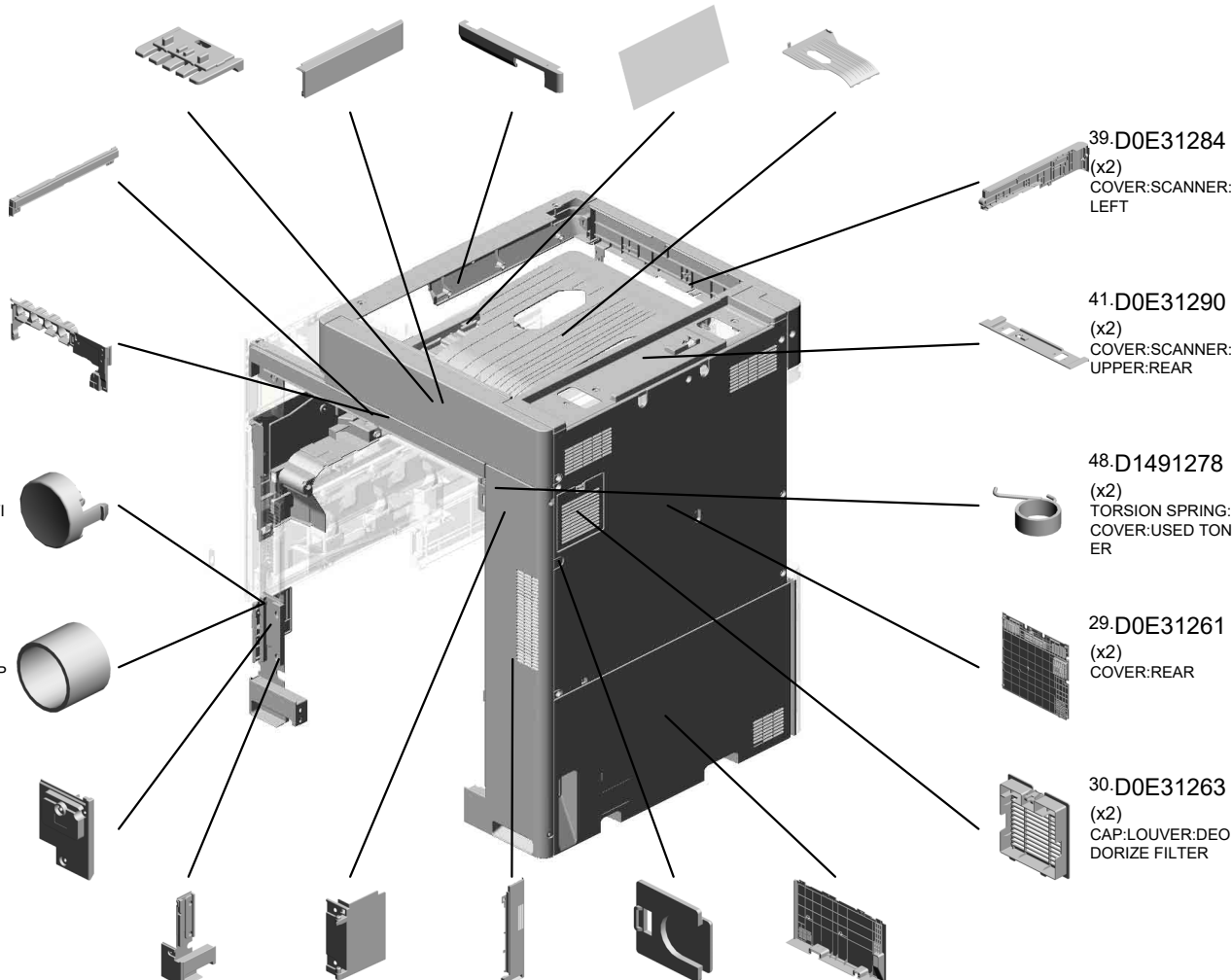
- 39.D0E31284 (x2) COVER:SCANNER: LEFT

- 41.D0E31290 (x2) COVER:SCANNER: UPPER:REAR

- 48.D1491278 (x2) TORSION SPRING: COVER:USED TONER

- 29.D0E31261 (x2) COVER:REAR

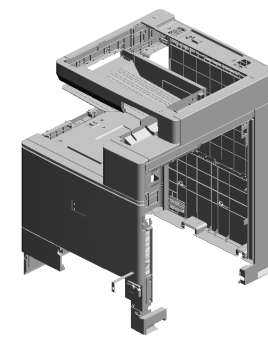
- 30.D0E31263 (x2) CAP:LOUVER:DEODORIZE FILTER





# U001 EXTERIOR

52.D1496893 (x2) DECAL:PCU:BLAC K  
 53.D1496894 (x2) DECAL:PCU:CYAN



56.D2411298 (x2) INNER COVER:RIG HT



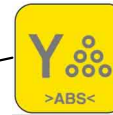
57.D2411308 (x2) BAND:STOPPER:D OOR



61.D0E31294 (x2) (EU[IM C4510/C551 0]/CHN[IM C4510/G S4045c]):CAP:HAR NESS:CORNER:ZB



55.D1496896 (x2) DECAL:PCU:YELL OW



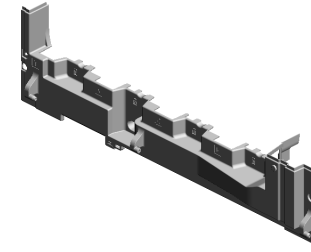
54.D1496895 (x2) DECAL:PCU:MAGE NTA  
 59.D2414458 (x8) GUIDE:COVER:UP PER



U001	U002	U003	U004	U005	U006	U007	U008	U009	U010	U011	U012	U013	U014	U015	U016	U017	U018	U019
------	------	------	------	------	------	------	------	------	------	------	------	------	------	------	------	------	------	------

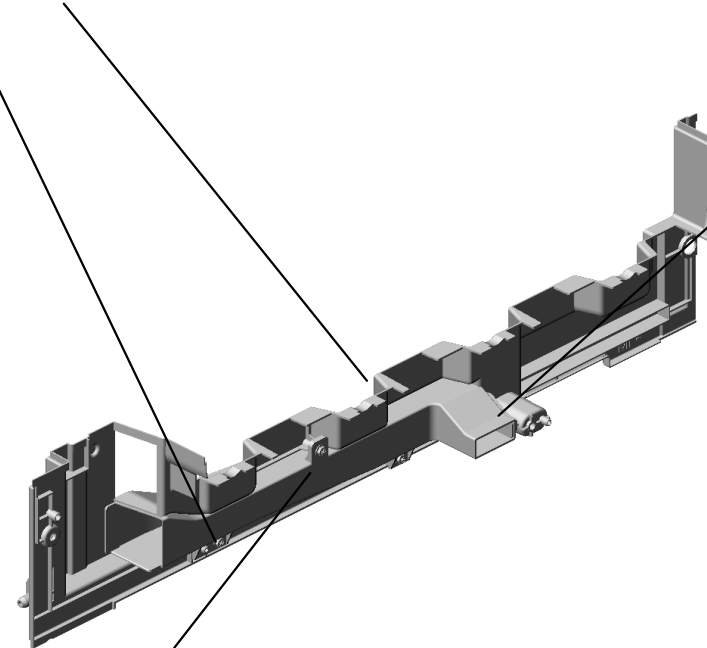
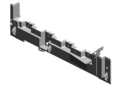
U001\_S001  
INNER COVER:FRONT:LOWER:SUB-ASS'Y

34.D0E31273  
INNER COVER:FR  
ONT:LOWER



35.D0E31274  
INNER COVER:FR  
ONT:LOWER:SUB-  
ASS'Y

4.04583008N  
(x3)  
HEXAGON HEAD T  
APPING SCREW:3  
X8



6.AA021031  
MAGNETIC CATCH



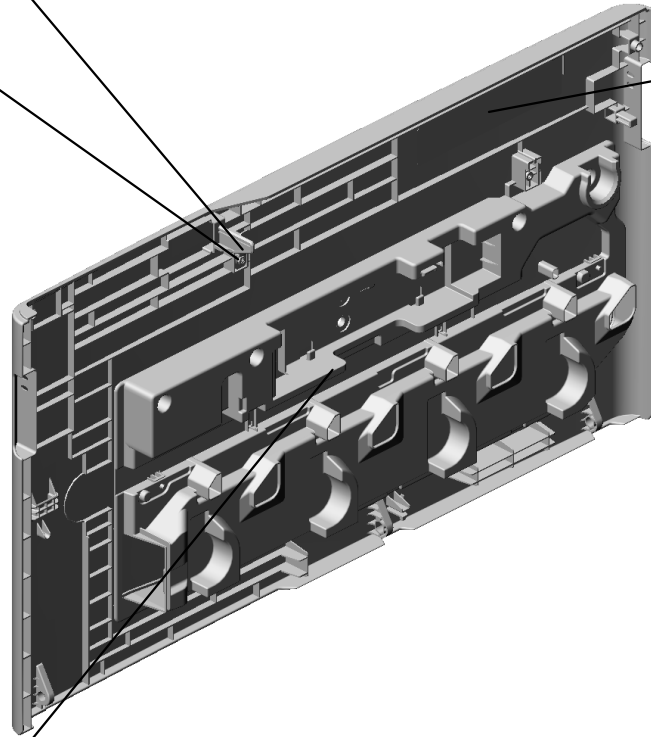
60.D2417913  
DUCT:OPTICAL W  
RITING UNIT

U001	U002	U003	U004	U005	U006	U007	U008	U009	U010	U011	U012	U013	U014	U015	U016	U017	U018	U019
------	------	------	------	------	------	------	------	------	------	------	------	------	------	------	------	------	------	------

U001\_S002  
COVER:FRONT:ASS'Y

58.D2411309  
MAGNET CATCH

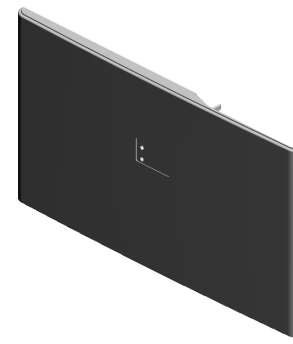
4.04583008N  
HEXAGON HEAD TAPPING SCREW:3 X8



45.D0E36859  
DECAL:CLEANING:SHIELD GLASS



17.D0E31240  
COVER:FRONT:ASSY



18.D0E31242  
COVER:FRONT:PE EN\_



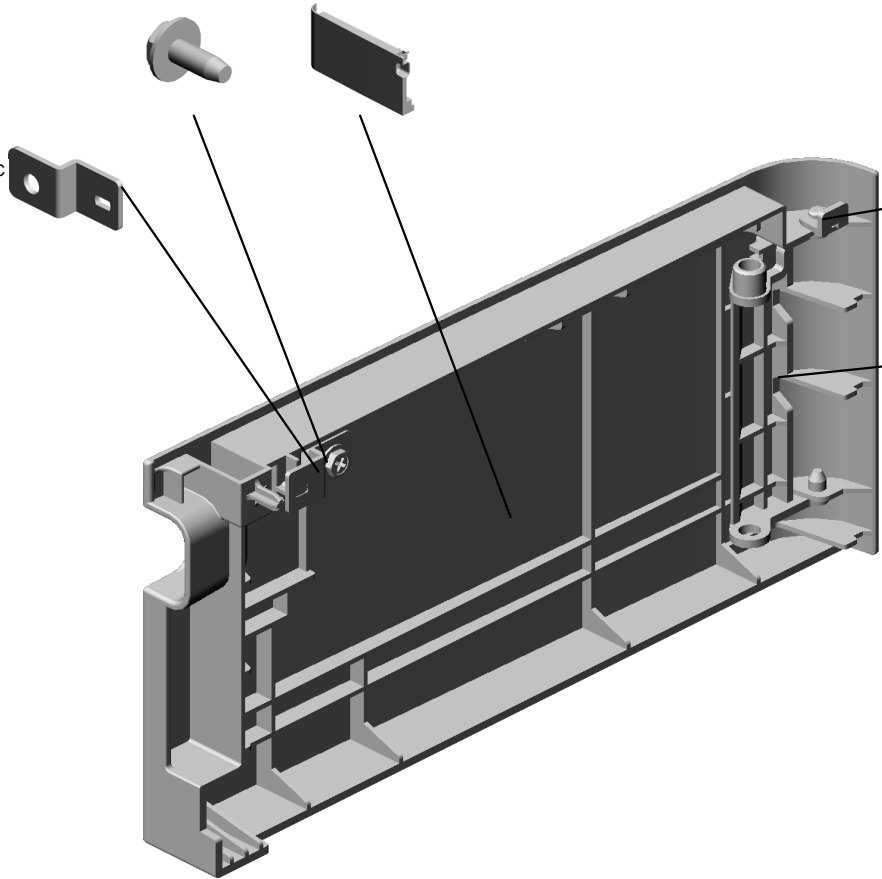
U001	U002	U003	U004	U005	U006	U007	U008	U009	U010	U011	U012	U013	U014	U015	U016	U017	U018	U019
------	------	------	------	------	------	------	------	------	------	------	------	------	------	------	------	------	------	------

U001\_S003  
 COVER:FRONT:USED TONER:ASS'Y

4.04583008N 22.D0E31247  
 HEXAGON HEAD TAPPING SCREW:3 X8 COVER:FRONT:USED TONER

21.D0E31246  
 COVER:FRONT:USED TONER:ASS'Y

9.D0BQ1309  
 MAGNET CATCH:COVER:FRONT



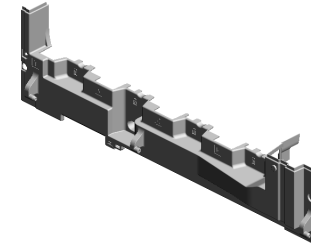
5.52062686  
 SNAP RING

46.D1491248  
 HINGE:COVER:FRONT:USED TONER

U001	U002	U003	U004	U005	U006	U007	U008	U009	U010	U011	U012	U013	U014	U015	U016	U017	U018	U019
------	------	------	------	------	------	------	------	------	------	------	------	------	------	------	------	------	------	------

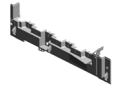
U001\_S004  
INNER COVER:FRONT:LOWER:SUB-ASS'Y

34.D0E31273  
INNER COVER:FR  
ONT:LOWER

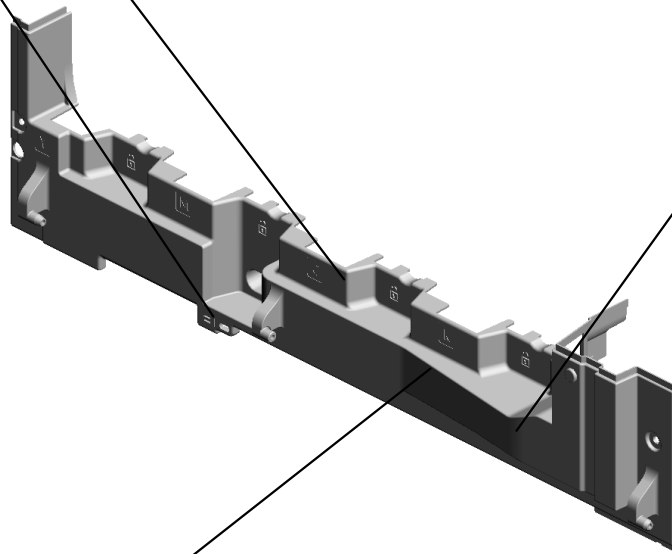


35.D0E31274  
INNER COVER:FR  
ONT:LOWER:SUB-  
ASS'Y

6.AA021031  
MAGNETIC CATCH



4.04583008N  
(x3)  
HEXAGON HEAD T  
APPING SCREW:3  
X8



60.D2417913  
DUCT:OPTICAL W  
RITING UNIT



U001	U002	U003	U004	U005	U006	U007	U008	U009	U010	U011	U012	U013	U014	U015	U016	U017	U018	U019
------	------	------	------	------	------	------	------	------	------	------	------	------	------	------	------	------	------	------

U001\_S005  
COVER:FRONT:ASS'Y

58.D2411309  
MAGNET CATCH

17.D0E31240  
COVER:FRONT:AS  
SY

45.D0E36859  
DECAL:CLEANING:  
SHIELD GLASS



4.04583008N  
HEXAGON HEAD T  
APPING SCREW:3  
X8



18.D0E31242  
COVER:FRONT:PE  
EN\_



U001	U002	U003	U004	U005	U006	U007	U008	U009	U010	U011	U012	U013	U014	U015	U016	U017	U018	U019
------	------	------	------	------	------	------	------	------	------	------	------	------	------	------	------	------	------	------

U001\_S006  
COVER:FRONT:USED TONER:ASS'Y

5.52062686  
SNAP RING

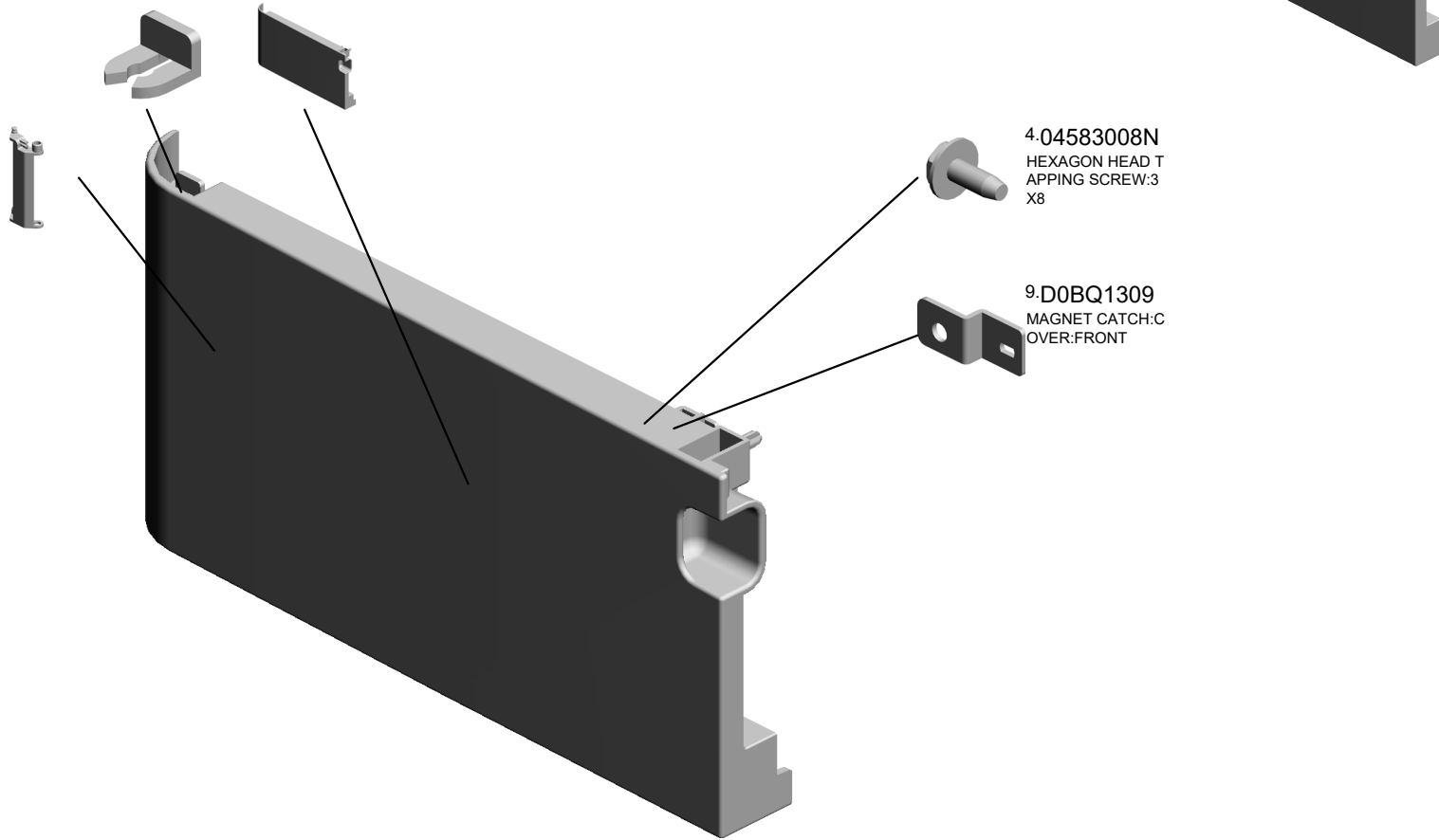
22.D0E31247  
COVER:FRONT:US  
ED TONER

21.D0E31246  
COVER:FRONT:US  
ED TONER:ASS'Y

46.D1491248  
HINGE:COVER:FR  
ONT:USED TONER

4.04583008N  
HEXAGON HEAD T  
APPING SCREW:3  
X8

9.D0BQ1309  
MAGNET CATCH:C  
OVER:FRONT



U001	U002	U003	U004	U005	U006	U007	U008	U009	U010	U011	U012	U013	U014	U015	U016	U017	U018	U019
------	------	------	------	------	------	------	------	------	------	------	------	------	------	------	------	------	------	------

# U002.OPERATION

U002 S001  
D0E31517  
(CHN):OPERATION SUB-UNI  
T:COMMON:ASSY

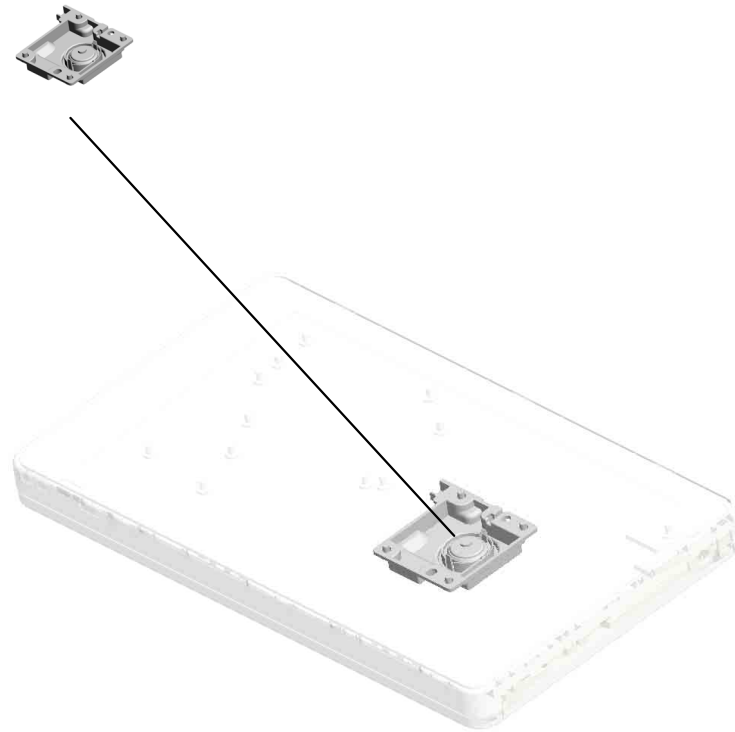


U001	<b>U002</b>	U003	U004	U005	U006	U007	U008	U009	U010	U011	U012	U013	U014	U015	U016	U017	U018	U019
------	-------------	------	------	------	------	------	------	------	------	------	------	------	------	------	------	------	------	------



# U002\_S001.(CHN):OPERATION SUB-UNIT:COMMON:ASS'Y

U002 S001 S001  
D0E31550  
SPEAKER:ASS'Y



U001	<b>U002</b>	U003	U004	U005	U006	U007	U008	U009	U010	U011	U012	U013	U014	U015	U016	U017	U018	U019
------	-------------	------	------	------	------	------	------	------	------	------	------	------	------	------	------	------	------	------

# U002 OPERATION

22.D0E31554 GUIDE:OPERATION SUB-UNIT:HARN  
ESS

15.D0E31524 HINGE:LEFT

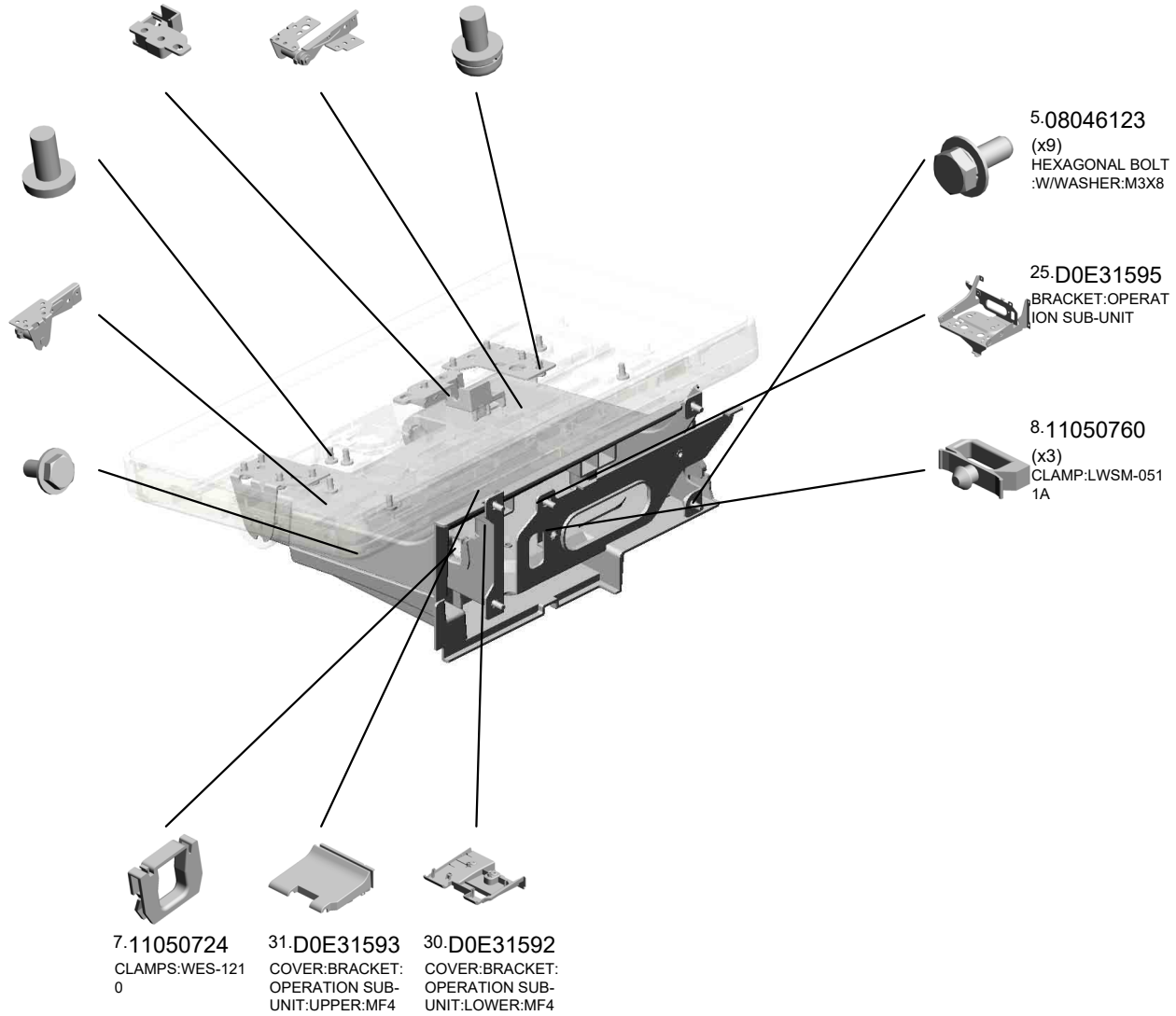
6.09573006N (x8)  
SCREW:SMALL ROUND/SPRING:M3X6



2.03530060P (x8)  
SCREW:M3X6

14.D0E31523 HINGE:RIGHT

3.03603006N SCREW - M3X6



U002\_S001  
 (CHN):OPERATION SUB-UNIT:COMMON:ASS'Y

18.D0E31547 COVER:OPERATION SUB-UNIT:KEY SWITCH  
 17.D0E31546 KEYTOP:OPERATION SUB-UNIT:SERVICE  
 32.D0DY5114 (CHN):PCB:SYSTEM:SUB-ASSY  
 10.D0DY5101 PCB:IO:SUB-ASSY

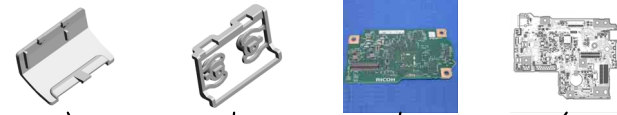


33.D0E31517  
 (CHN):OPERATION SUB-UNIT:COMMON:ASSY

24.D0E31556  
 (x2)  
 CUSHION:LCD:S

4.04593008N  
 (x8)  
 BINDING HEAD TAPPING SCREW:3X8

23.D0E31555  
 (x2)  
 CUSHION:LCD:L



20.D0E31549  
 COVER:OPERATION SUB-UNIT:USB

9.D0BQ5534  
 PCB:LED

6.09573006N  
 (x11)  
 SCREW:SMALL ROUND/SPRING:M3X6

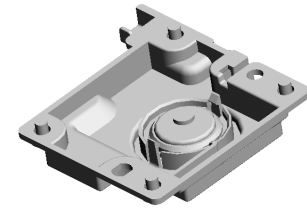
19.D0E31548  
 COVER:OPERATION SUB-UNIT:RIGHT

13.D0E31516 TOUCH PANEL:ASSY  
 16.D0E31545 COVER:OPERATION SUB-UNIT:REAR  
 1.03530040P (x16)  
 SCREW - M3X4

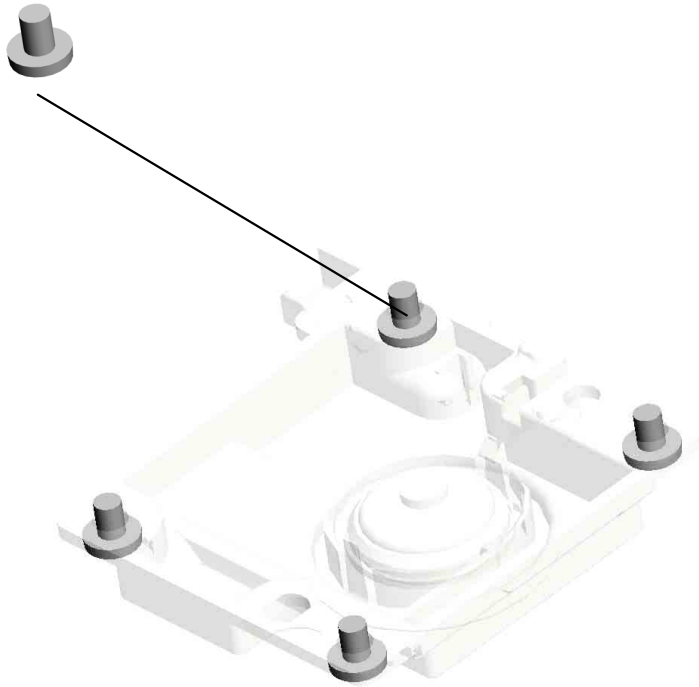


U002\_S001\_S001  
SPEAKER:ASS'Y

1-03530040P  
(x4)  
SCREW - M3X4



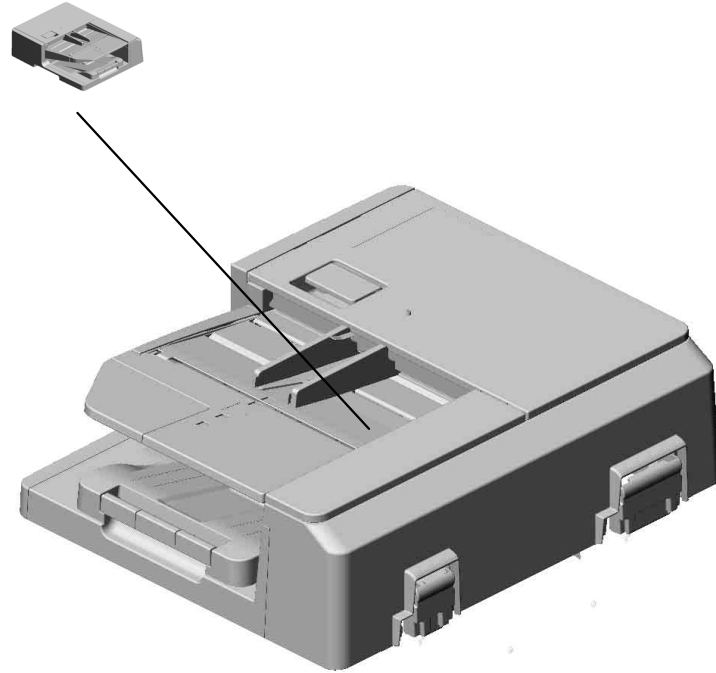
21.D0E31550  
SPEAKER:ASS'Y



U001	<b>U002</b>	U003	U004	U005	U006	U007	U008	U009	U010	U011	U012	U013	U014	U015	U016	U017	U018	U019
------	-------------	------	------	------	------	------	------	------	------	------	------	------	------	------	------	------	------	------

# U003.ADF

U003 S001  
D3K30014  
(EU|IM C4510A/C5510A/C6010)/CHN|IM C6010/GS4160c|NA/AA/TWN/IND):ADF SECTION:ASS'Y

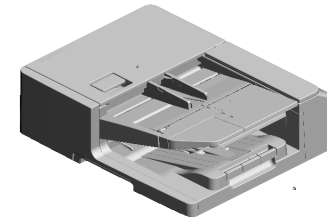
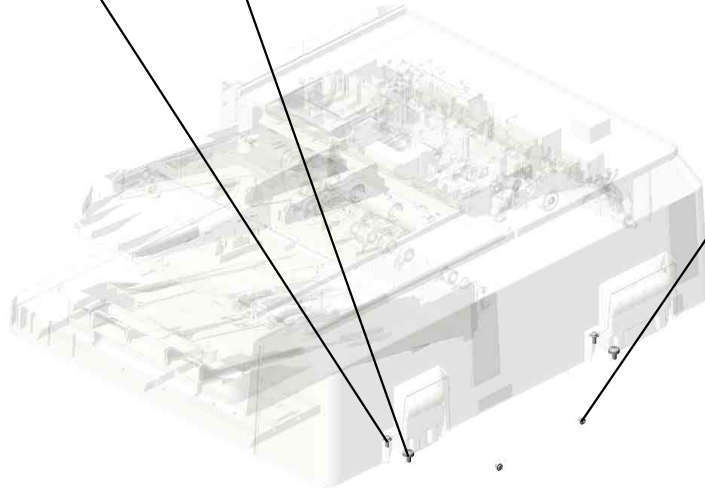
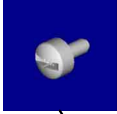


U001	U002	U003	U004	U005	U006	U007	U008	U009	U010	U011	U012	U013	U014	U015	U016	U017	U018	U019
------	------	------	------	------	------	------	------	------	------	------	------	------	------	------	------	------	------	------

U003  
ADF

4.D5406121 (x2)  
(EU|IM C4510A/C55  
10A/C6010)/CHN|IM  
C6010/GS4160c|N  
A/AA/TWN/IND):FU  
LL DUG POINT SC

2.A8597211 (x2)  
(EU|IM C4510A/C55  
10A/C6010)/CHN|IM  
C6010/GS4160c|N  
A/AA/TWN/IND):ST  
EPPED SCREW

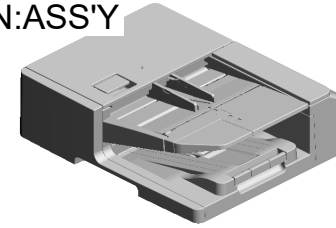


1.04543006Q (x 1)  
TAPPING SCREW - M3X6

1.04543006Q  
(x3)  
TAPPING SCREW -  
M3X6

U003\_S001

(EU[IM C4510A/C5510A/C6010]/CHN[IM C6010/GS4160c]/NA/AA/TWN/IND):ADF SECTION:ASS'Y



3.D3K30014  
(EU[IM C4510A/C5510A/C6010]/CHN[IM C6010/GS4160c]/NA/AA/TWN/IND):ADF SECTION:ASS'Y

See 3D parts catalog for the components of the SPDF DF3150.

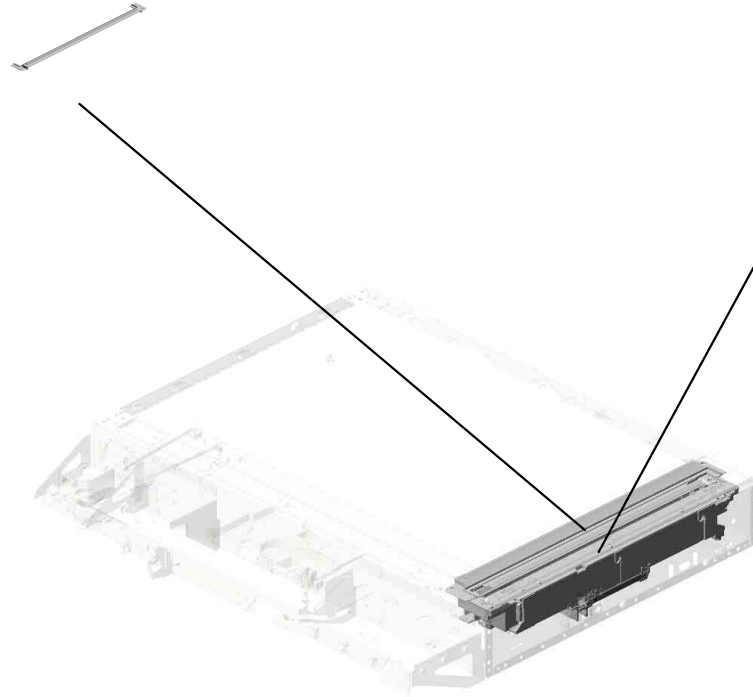
5.Note1

(EU[IM C4510A/C5510A/C6010]/CHN[IM C6010/GS4160c]/NA/AA/TWN/IND)See 3D parts catalog for the components of t

U001	U002	U003	U004	U005	U006	U007	U008	U009	U010	U011	U012	U013	U014	U015	U016	U017	U018	U019
------	------	------	------	------	------	------	------	------	------	------	------	------	------	------	------	------	------	------

# U004.SCANNER

U004 S002  
D0E31732  
(EU/AA/TWN/IND/CHN):SCAL  
E:LEFT:MM:ASSY



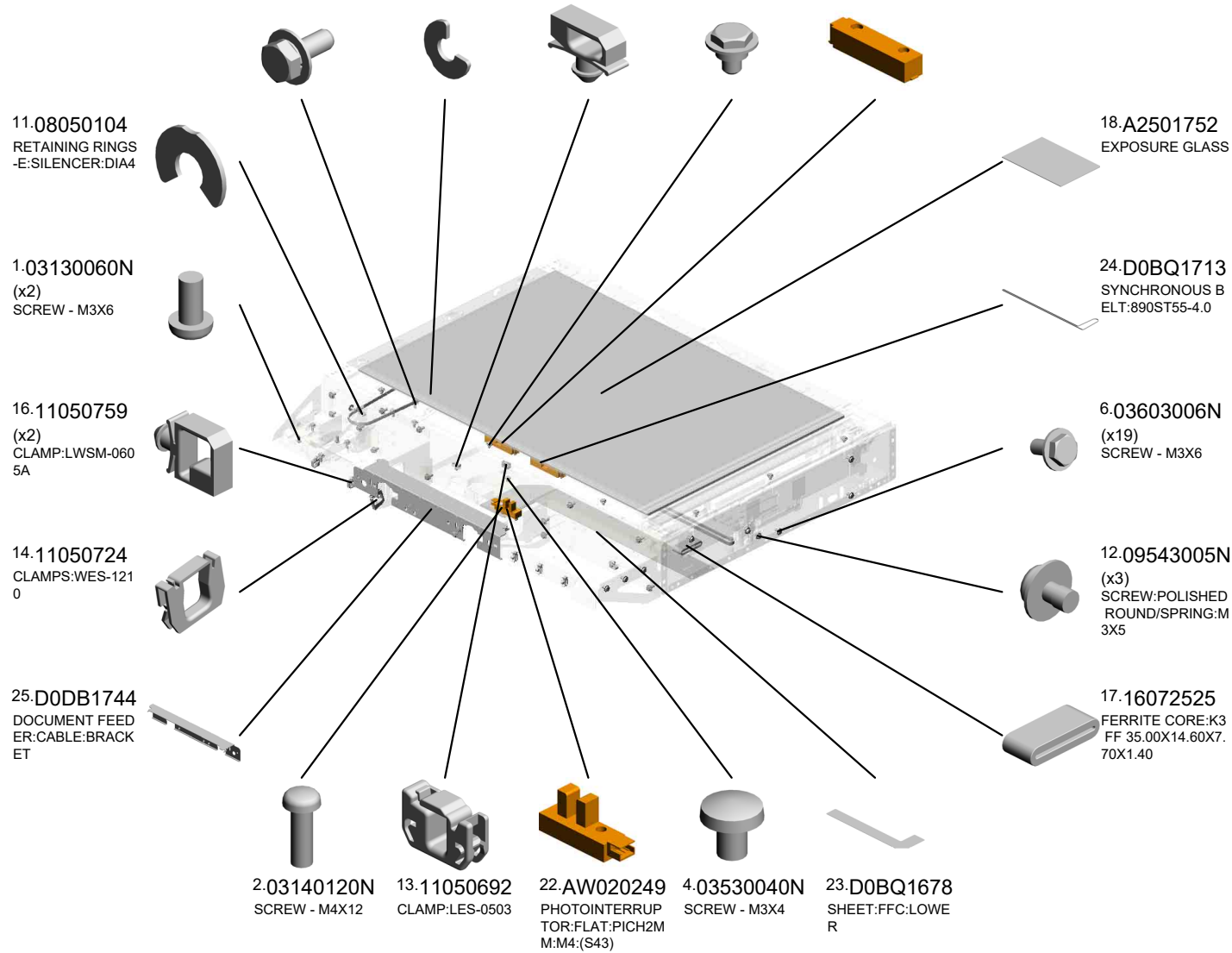
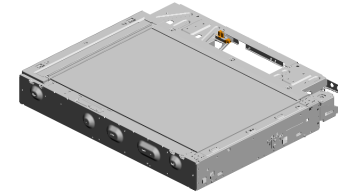
U004 S001  
D0E31640  
OPTICAL READING UNIT:CA  
RRIAGE:SCANNER:IMC2010-  
6010

U001	U002	U003	U004	U005	U006	U007	U008	U009	U010	U011	U012	U013	U014	U015	U016	U017	U018	U019
------	------	------	------	------	------	------	------	------	------	------	------	------	------	------	------	------	------	------



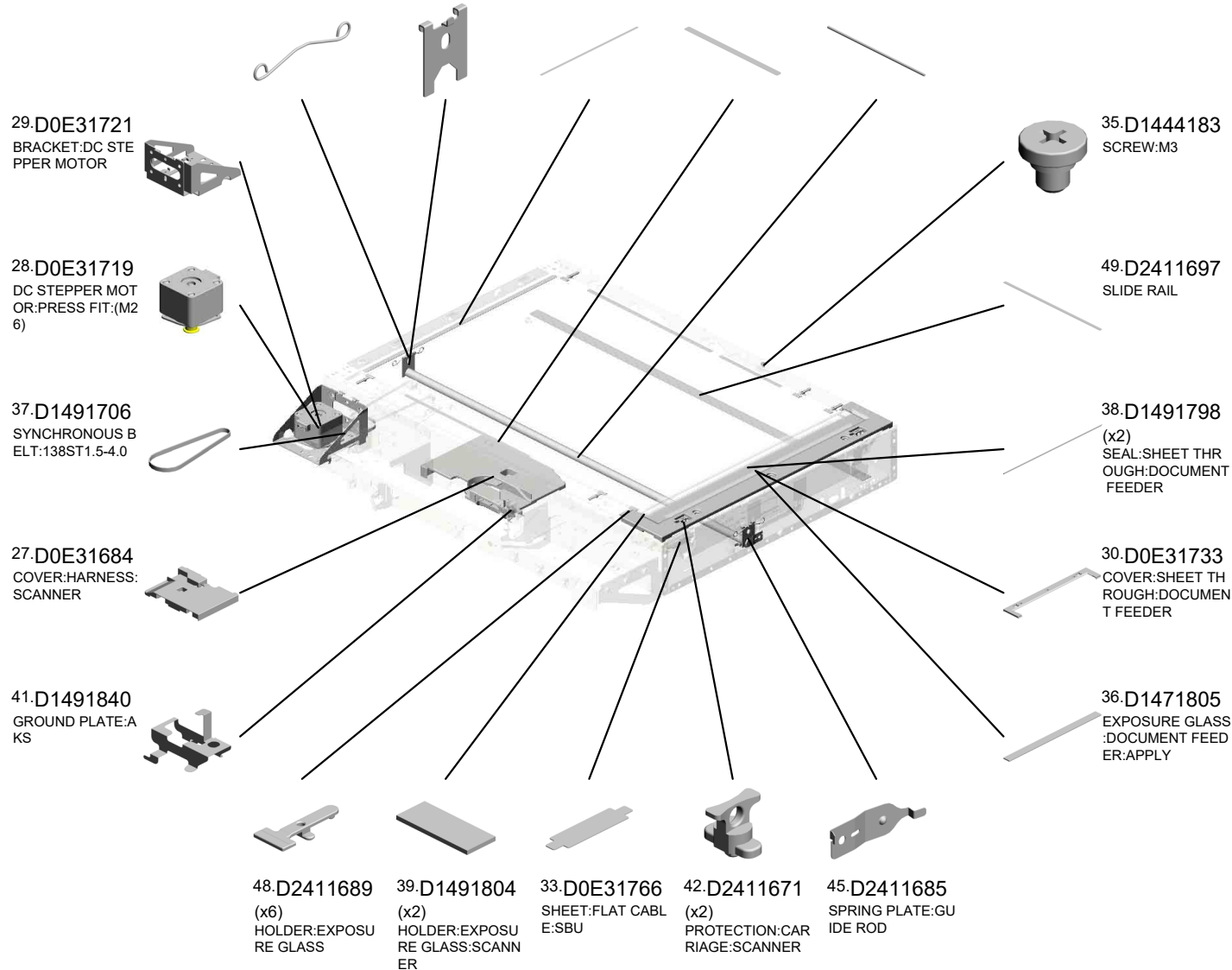
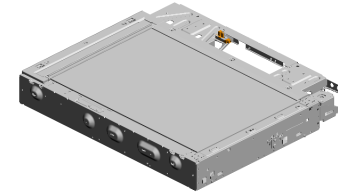
# U004 SCANNER

- 8.08046123 (x13) HEXAGONAL BOLT :W/WASHER:M3X8
- 10.08050103 (x3) RETAINING RINGS -E:SILENCER:DIA3
- 15.11050758 (x5) CLAMP:LWSM-030 6A
- 20.AA143537 (x6) SCREW:M3:BLACK
- 21.AW010155 (x2) ORIGINAL SENSO R:66MM:3.3V:(S44/S45)



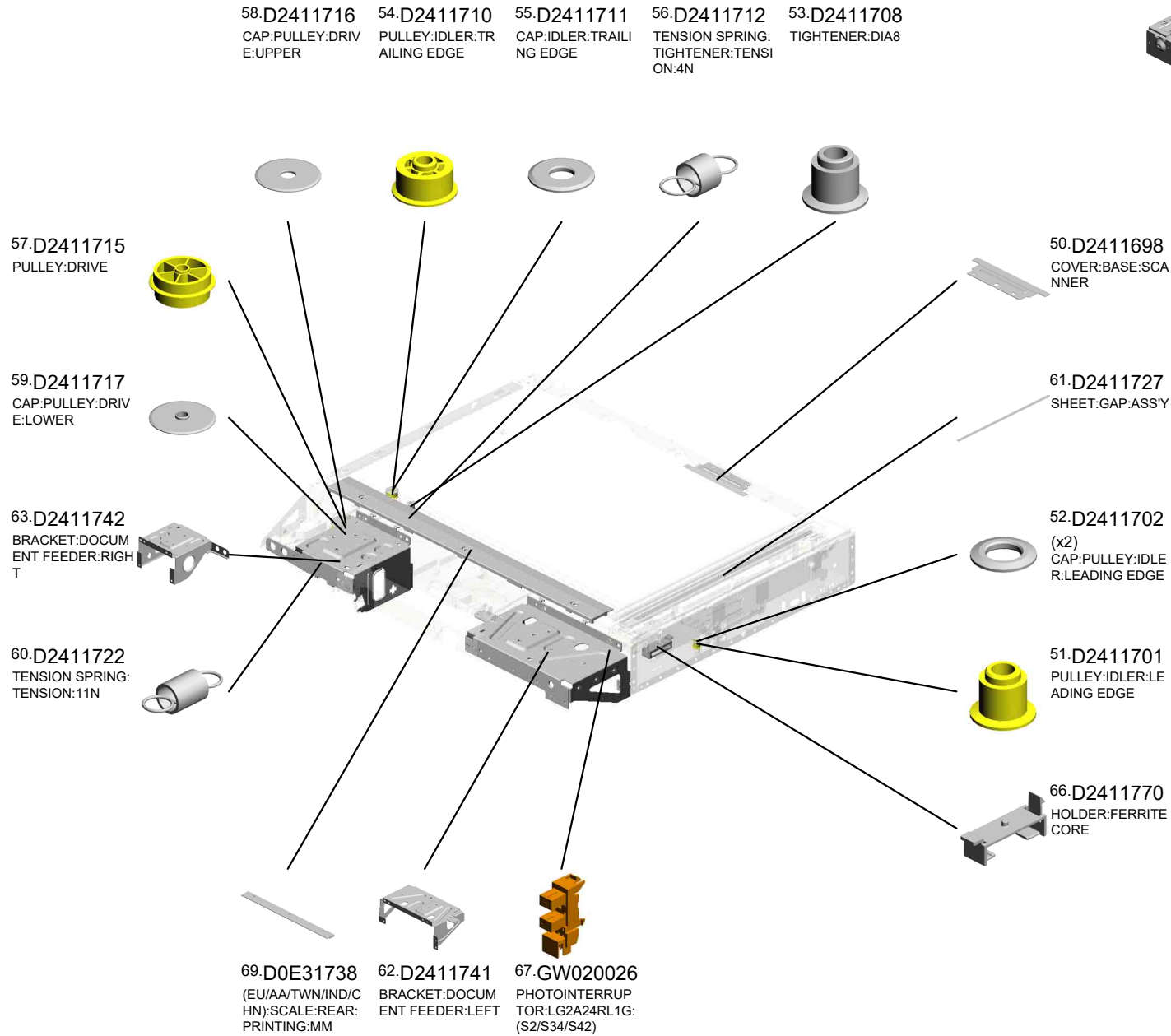
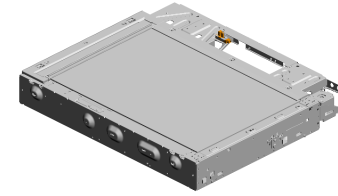
# U004 SCANNER

- 46.D2411686 (x2) CLAMP:STAY:GUIDE ROD
- 44.D2411681 (x2) STAY:GUIDE ROD
- 47.D2411688 SHEET:GLASS:LARGE
- 40.D1491833 (x5) SHEET:GLASS
- 43.D2411680 GUIDE ROD



U001	U002	U003	U004	U005	U006	U007	U008	U009	U010	U011	U012	U013	U014	U015	U016	U017	U018	U019
------	------	------	------	------	------	------	------	------	------	------	------	------	------	------	------	------	------	------

# U004 SCANNER



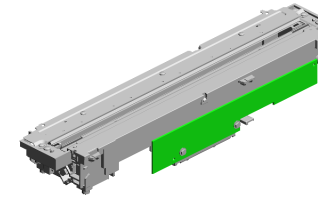
U001	U002	U003	U004	U005	U006	U007	U008	U009	U010	U011	U012	U013	U014	U015	U016	U017	U018	U019
------	------	------	------	------	------	------	------	------	------	------	------	------	------	------	------	------	------	------

U004\_S001  
OPTICAL READING UNIT:CARRIAGE:SCANNER:IMC2010-6010

7.04583010N (x4)  
HEXAGON HEAD TAPPING SCREW:M3X10

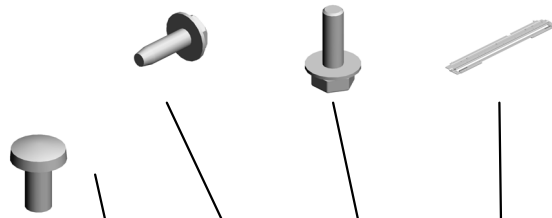
9.08046128 (x2)  
HEXAGONAL BOLT:DOUBLE SCREW:M3X10

34.D0E31780  
ILLUMINATION UNIT:30LIGHT UNIT:ASY



26.D0E31640  
OPTICAL READING UNIT:CARRIAGE:SCANNER:IMC2010-6010

5.03530060N (x3)  
BIND SCREW - M3X6



3.03530030N (x2)  
SCREW:M3X3

65.D2411768 (x2)  
SLIDE SHOE

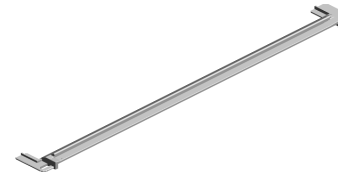
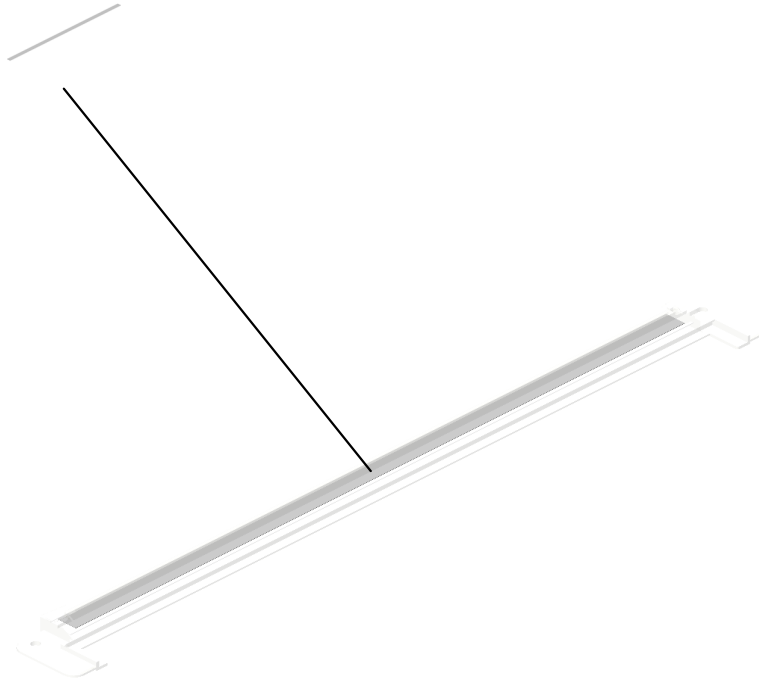
6.03603006N (x2)  
SCREW - M3X6

64.D2411767  
PLAIN SHAFT BEARING RING:90ANG

U001	U002	U003	U004	U005	U006	U007	U008	U009	U010	U011	U012	U013	U014	U015	U016	U017	U018	U019
------	------	------	------	------	------	------	------	------	------	------	------	------	------	------	------	------	------	------

U004\_S002  
(EU/AA/TWN/IND/CHN):SCALE:LEFT:MM:ASS'Y

19.A6283112  
SHIELDING SHEET

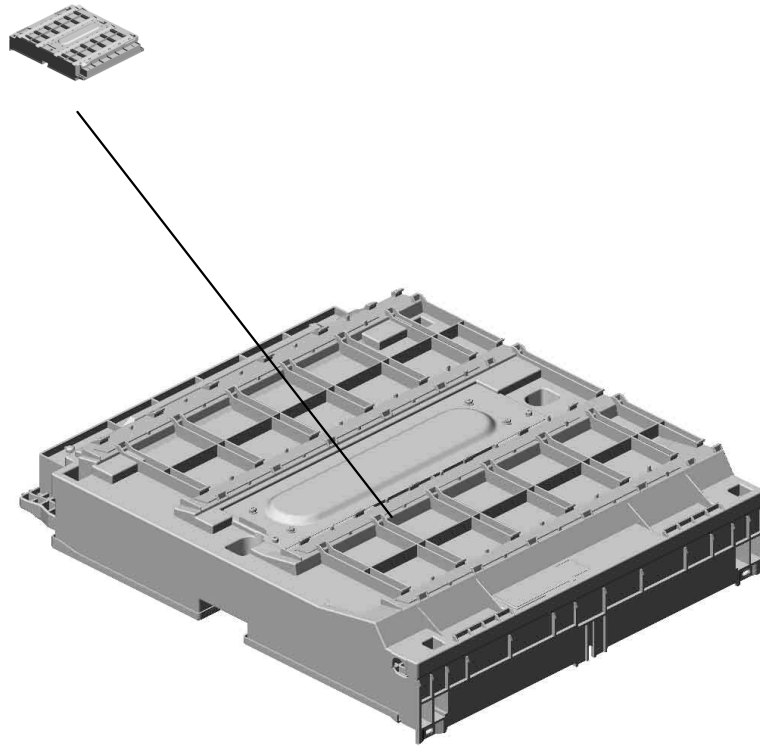


68.D0E31732  
(EU/AA/TWN/IND/C  
HN):SCALE:LEFT:M  
M:ASS'Y

U001	U002	U003	U004	U005	U006	U007	U008	U009	U010	U011	U012	U013	U014	U015	U016	U017	U018	U019
------	------	------	------	------	------	------	------	------	------	------	------	------	------	------	------	------	------	------

# U005.LASER UNIT

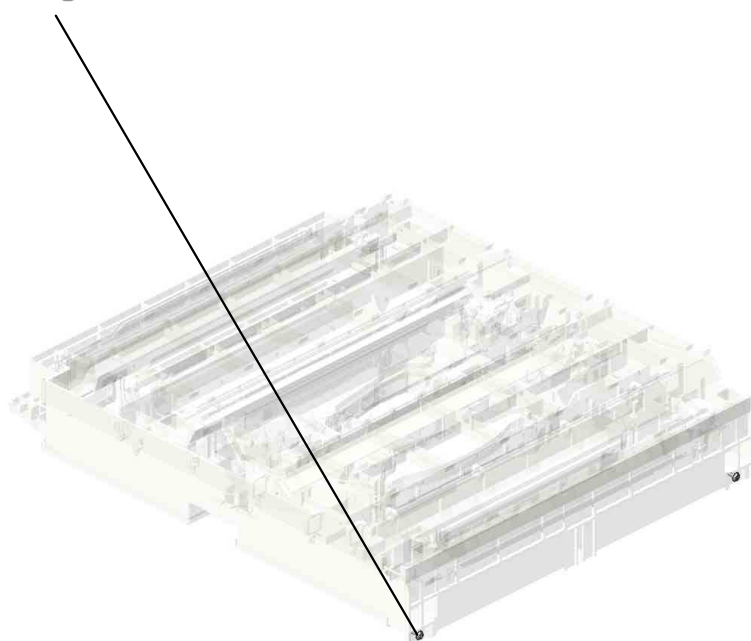
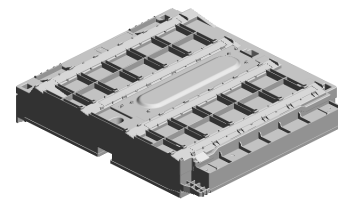
U005 S001  
D0E31855  
OPTICAL WRITING UNIT:IMC  
4500/IMC5500/IMC6000



U001	U002	U003	U004	U005	U006	U007	U008	U009	U010	U011	U012	U013	U014	U015	U016	U017	U018	U019
------	------	------	------	------	------	------	------	------	------	------	------	------	------	------	------	------	------	------

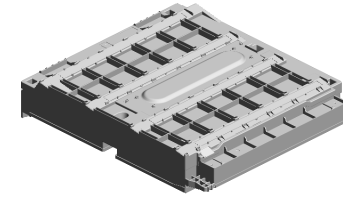
U005  
LASER UNIT

1-04513008N  
(x2)  
TAPPING SCREW -  
M3X8



U001	U002	U003	U004	<b>U005</b>	U006	U007	U008	U009	U010	U011	U012	U013	U014	U015	U016	U017	U018	U019
------	------	------	------	-------------	------	------	------	------	------	------	------	------	------	------	------	------	------	------

U005\_S001  
OPTICAL WRITING UNIT:IMC4500/IMC5500/IMC6000

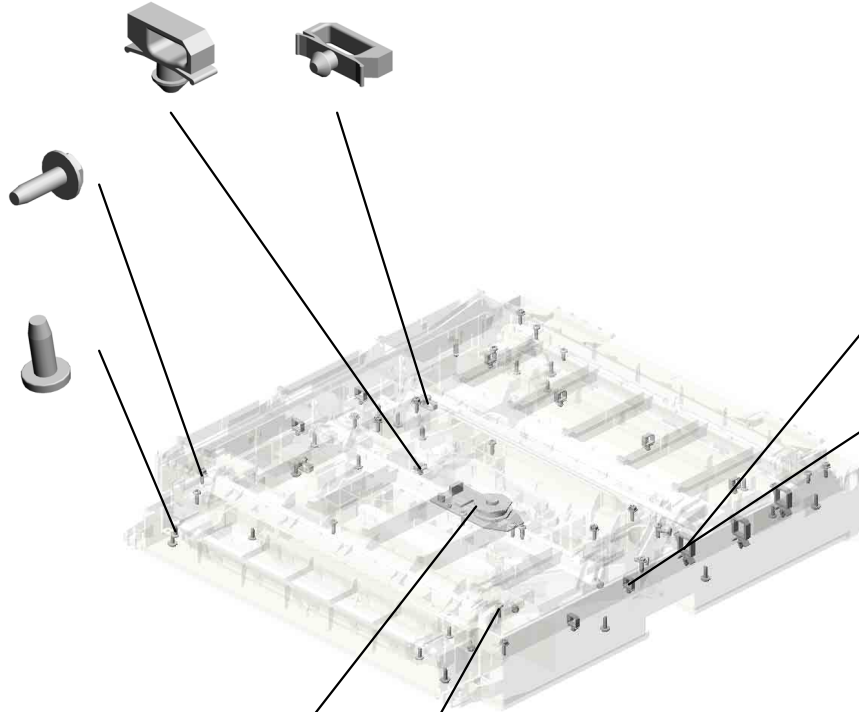


10.D0E31855  
OPTICAL WRITING  
UNIT:IMC4500/IMC  
5500/IMC6000

5.11050758 CLAMP:LWSM-030  
6A  
7.11050760 (x2)  
CLAMP:LWSM-051  
1A

2.04583010N  
(x18)  
HEXAGON HEAD TAPPING SCREW:3X10

3.04593008N  
(x9)  
BINDING HEAD TAPPING SCREW:3X8



8.11050763  
(x3)  
CLAMP:LWS-1211A

6.11050759  
(x9)  
CLAMP:LWSM-060  
5A

9.AX060527 DC POLYGON MIRROR MOTOR:(M27)  
4.04593010N (x21)  
BINDING HEAD TAPPING SCREW:3X10

U001	U002	U003	U004	U005	U006	U007	U008	U009	U010	U011	U012	U013	U014	U015	U016	U017	U018	U019
------	------	------	------	------	------	------	------	------	------	------	------	------	------	------	------	------	------	------



# U006.PAPER FEED

U006 S003  
D1492905  
SUPPORTER:RIGHT:NO.1:AS  
SY

U006 S001  
D0E32711  
PAPER FEED UNIT:NO.1:ASS  
Y

U006 S010  
AX040273  
DC MOTOR:RISING TRAY:AS  
S'Y:1.007W:BRUSH:(M9/M10)

U006 S007  
D0E32800  
PAPER TRAY:NO.1:ASS'Y

U006 S008  
D0E32805  
PAPER TRAY:NO.2:ASS'Y

U006 S006  
D2412906  
LEVER:STRETCH:PAPER TR  
AY:ASS'Y

U006 S009  
AX040273  
DC MOTOR:RISING TRAY:AS  
S'Y:1.007W:BRUSH:(M9/M10)

U006 S005  
D2412906  
LEVER:STRETCH:PAPER TR  
AY:ASS'Y

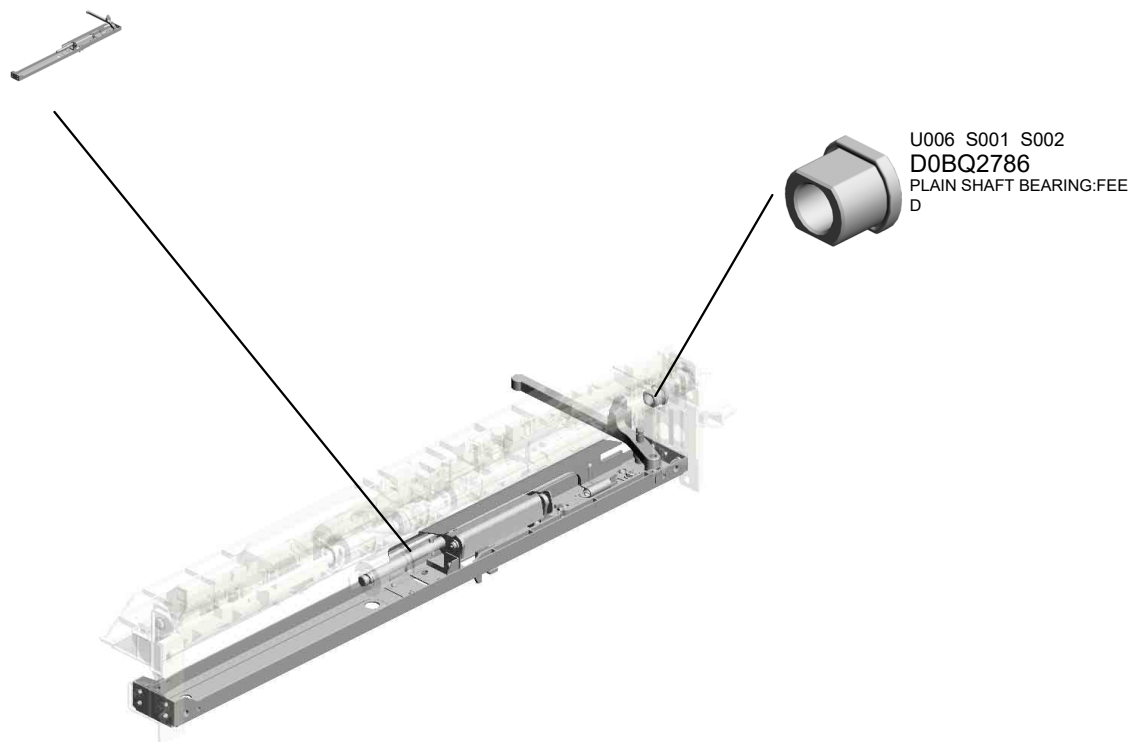
U006 S004  
D1492903  
SUPPORTER:RIGHT:NO.2:AS  
SY

U006 S002  
D0E32712  
PAPER FEED UNIT:NO.2:ASS  
Y

U001	U002	U003	U004	U005	U006	U007	U008	U009	U010	U011	U012	U013	U014	U015	U016	U017	U018	U019
------	------	------	------	------	------	------	------	------	------	------	------	------	------	------	------	------	------	------

# U006\_S001.PAPER FEED UNIT:NO.1:ASS'Y

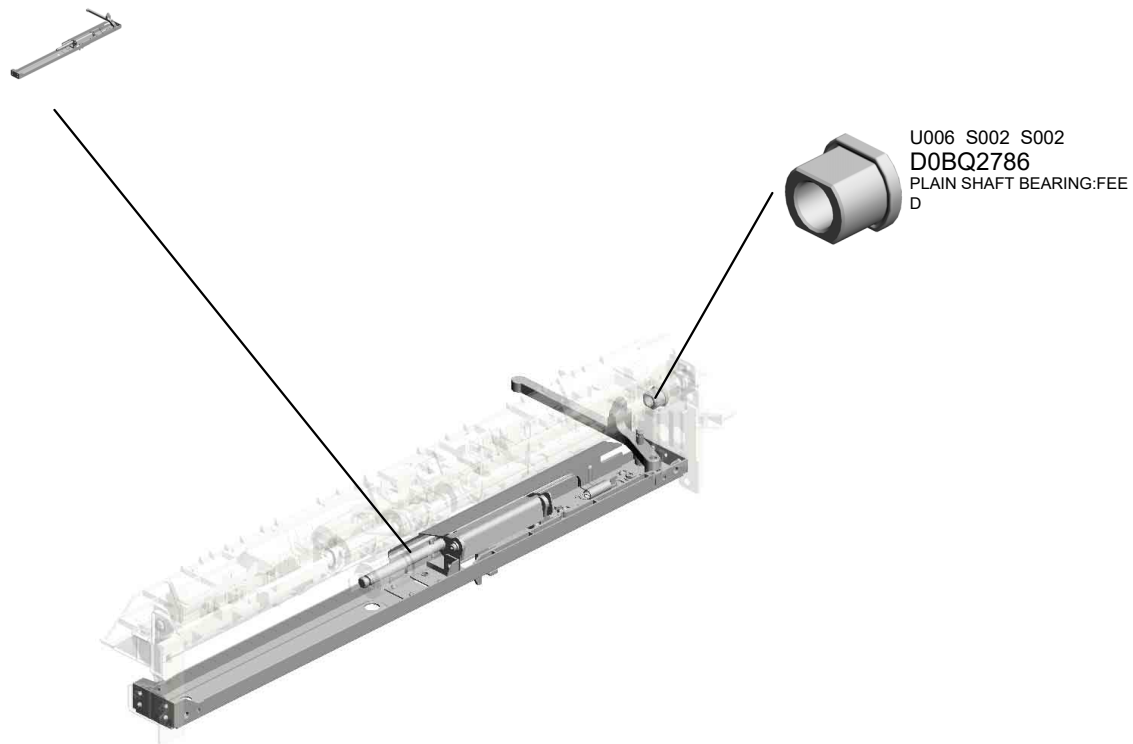
U006 S001 S001  
D0E32705  
STAY:PAPER FEED UNIT:LO  
WER:ASS'Y



U001	U002	U003	U004	U005	<b>U006</b>	U007	U008	U009	U010	U011	U012	U013	U014	U015	U016	U017	U018	U019
------	------	------	------	------	-------------	------	------	------	------	------	------	------	------	------	------	------	------	------

# U006\_S002.PAPER FEED UNIT:NO.2:ASS'Y

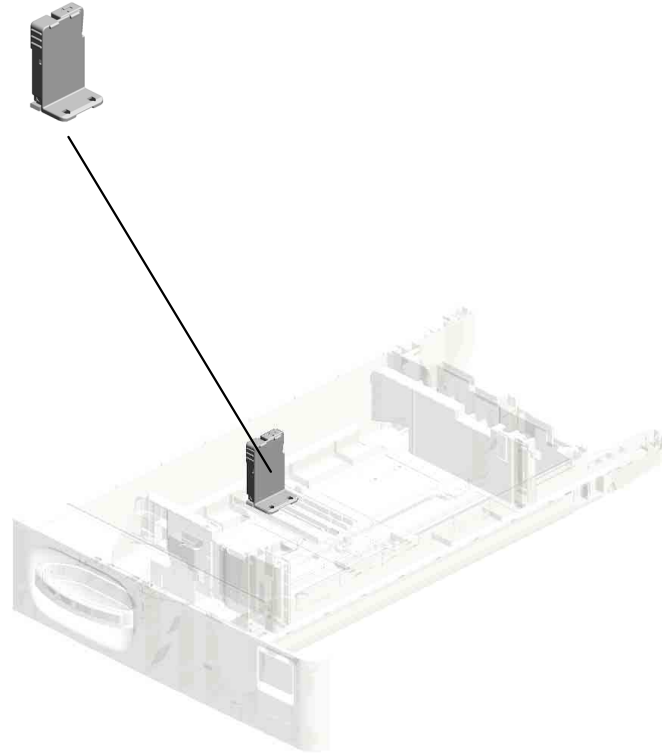
U006 S002 S001  
D0E32705  
STAY:PAPER FEED UNIT:LO  
WER:ASS'Y



U001	U002	U003	U004	U005	<b>U006</b>	U007	U008	U009	U010	U011	U012	U013	U014	U015	U016	U017	U018	U019
------	------	------	------	------	-------------	------	------	------	------	------	------	------	------	------	------	------	------	------

# U006\_S007.PAPER TRAY:NO.1:ASS'Y

U006 S007 S001  
D0BQ2840  
END FENCE:PAPER TRAY:A  
SSY



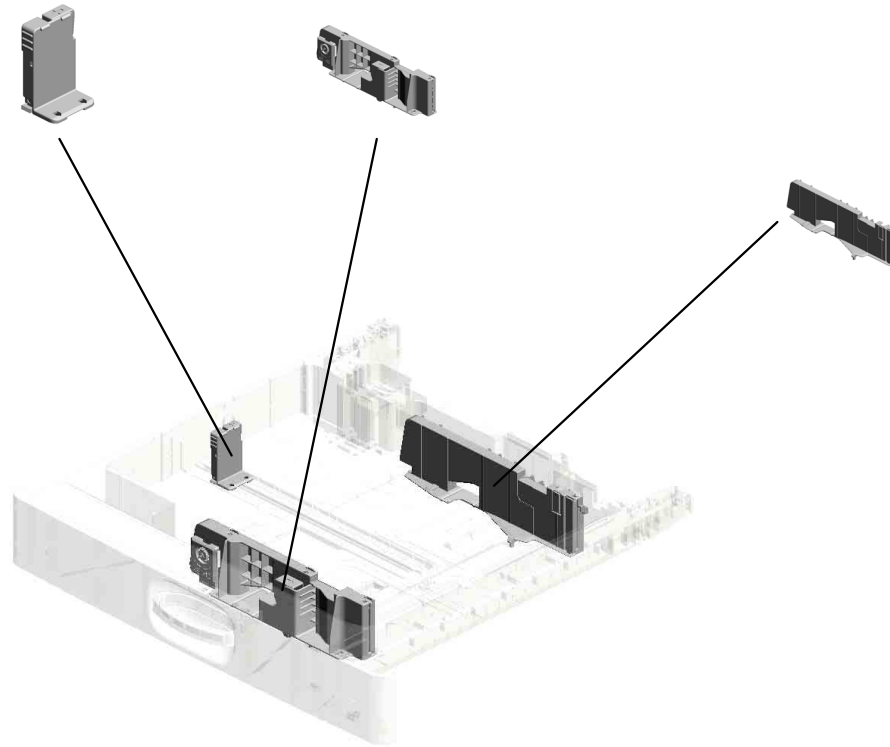
U001	U002	U003	U004	U005	<b>U006</b>	U007	U008	U009	U010	U011	U012	U013	U014	U015	U016	U017	U018	U019
------	------	------	------	------	-------------	------	------	------	------	------	------	------	------	------	------	------	------	------

# U006\_S008.PAPER TRAY:NO.2:ASS'Y

U006 S008 S001  
D0BQ2840  
END FENCE:PAPER TRAY:A  
SSY

U006 S008 S002  
D0E32876  
SIDE FENCE:FRONT:ASSY

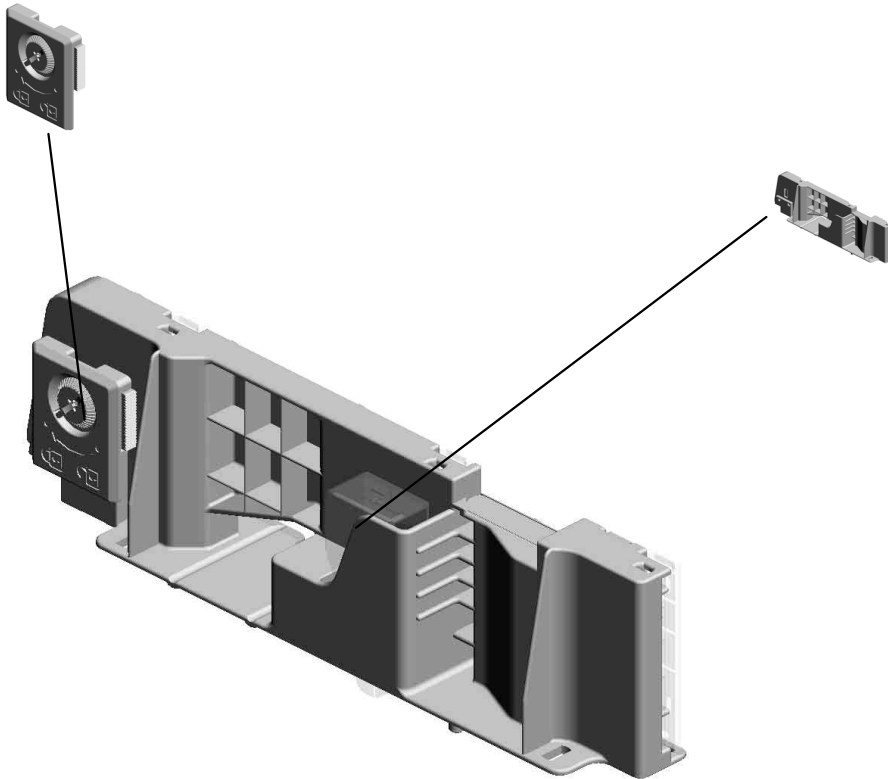
U006 S008 S003  
D0E32880  
SIDE FENCE:REAR:ASSY



U001	U002	U003	U004	U005	<b>U006</b>	U007	U008	U009	U010	U011	U012	U013	U014	U015	U016	U017	U018	U019
------	------	------	------	------	-------------	------	------	------	------	------	------	------	------	------	------	------	------	------

# U006\_S008\_S002.SIDE FENCE:FRONT:ASSY

U006 S008 S002 S001  
D0BQ2966  
STAY:END FENCE:ASSY

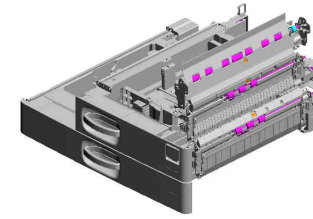


U006 S008 S002 S002  
D0E32877  
SIDE FENCE:FRONT:SUB-AS  
S'Y

U001	U002	U003	U004	U005	<b>U006</b>	U007	U008	U009	U010	U011	U012	U013	U014	U015	U016	U017	U018	U019
------	------	------	------	------	-------------	------	------	------	------	------	------	------	------	------	------	------	------	------

# U006 PAPER FEED

- 31.AW500044 PUSH SWITCH:PA  
PER SIZE SENSOR  
:(SW1)
- 45.D0E32567 CASE:REMOVE PA  
PER DUST
- 15.11050765 CLAMP:LWS-2218A
- 14.11050758 (x2)  
CLAMP:LWSM-030  
6A
- 20.AA082197 (x2)  
BUSHING:DIA8XDI  
A12X7:EG-1-J



- 18.AA082195  
(x2)  
PLAIN SHAFT BEA  
RING:DIA6XDIA10X  
6



- 8.04583008N  
(x4)  
HEXAGON HEAD T  
APPING SCREW:3  
X8



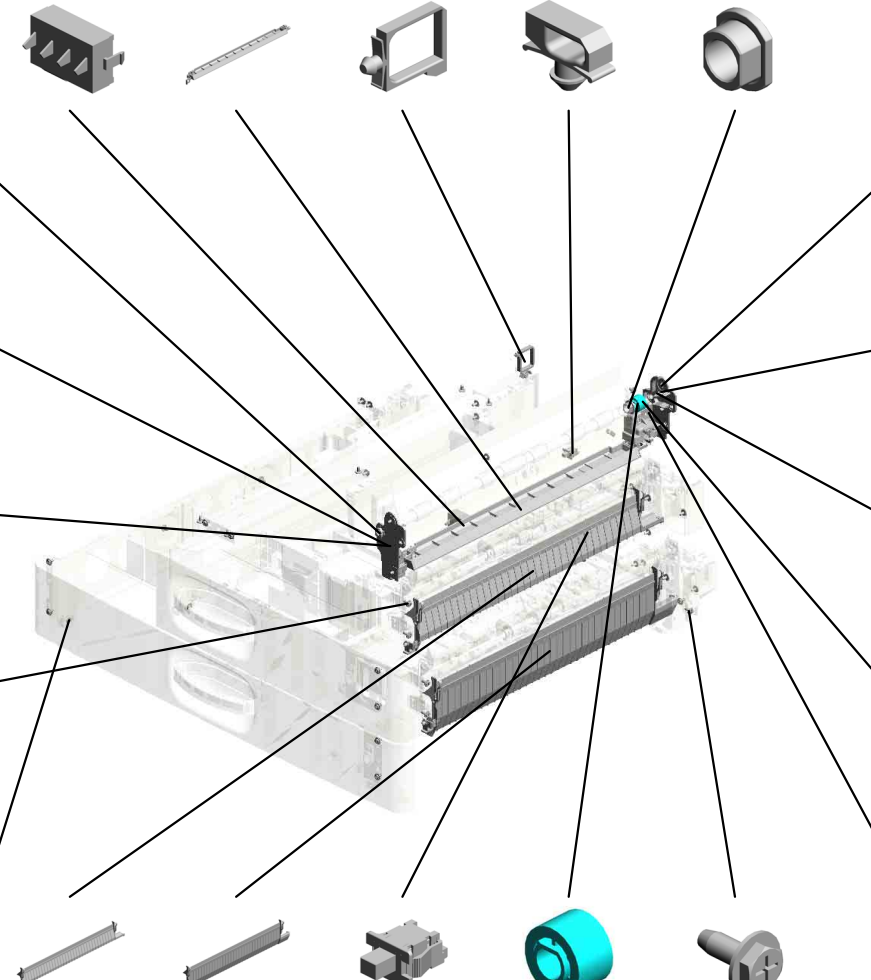
- 46.D0E32571  
GUIDE:POSITIONI  
NG:REGISTRATIO  
N:FRONT



- 7.04543008Q  
(x4)  
TAPPING SCREW:  
3X8



- 12.08050103  
(x2)  
RETAINING RINGS  
-E:SILENCER:DIA3



- 6.04543006Q  
(x43)  
TAPPING SCREW -  
M3X6



- 10.07200040E  
(x2)  
RETAINING RING -  
M4



- 23.AB011573  
GEAR:REGISTRATI  
ON:NO.2



- 11.07200060E  
(x3)  
RETAINING RING -  
M6



- 47.D0E32572  
GUIDE:POSITIONI  
NG:REGISTRATIO  
N:REAR



- 51.D0E32714  
GUIDE PLATE:SWI  
VEL:NO.1

- 52.D0E32721  
GUIDE PLATE:SWI  
VEL:NO.2

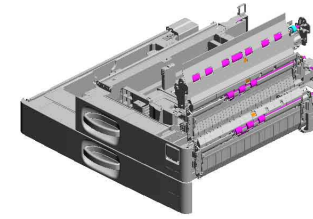
- 32.AW500049  
(x2)  
PUSH SWITCH:SW  
1AG-550:(S4/S17/S  
19/S21/S35)

- 22.AB011572  
(x2)  
GEAR:Z19:DRIVEN:  
REGISTRATION

- 5.04513008N  
TAPPING SCREW -  
M3X8

# U006 PAPER FEED

117.D1492918 SUPPORTER:LEFT UPPER:NO.1  
 114.D1492889 COVER:TRAY:REA R LEFT:NO.2  
 89.D1492562 (x2) COLLAR:REGISTRATION ROLLER  
 146.GA143003 SCREW:MM5:2.5M M  
 112.D1492887 COVER:TRAY:REA R LEFT:NO.1

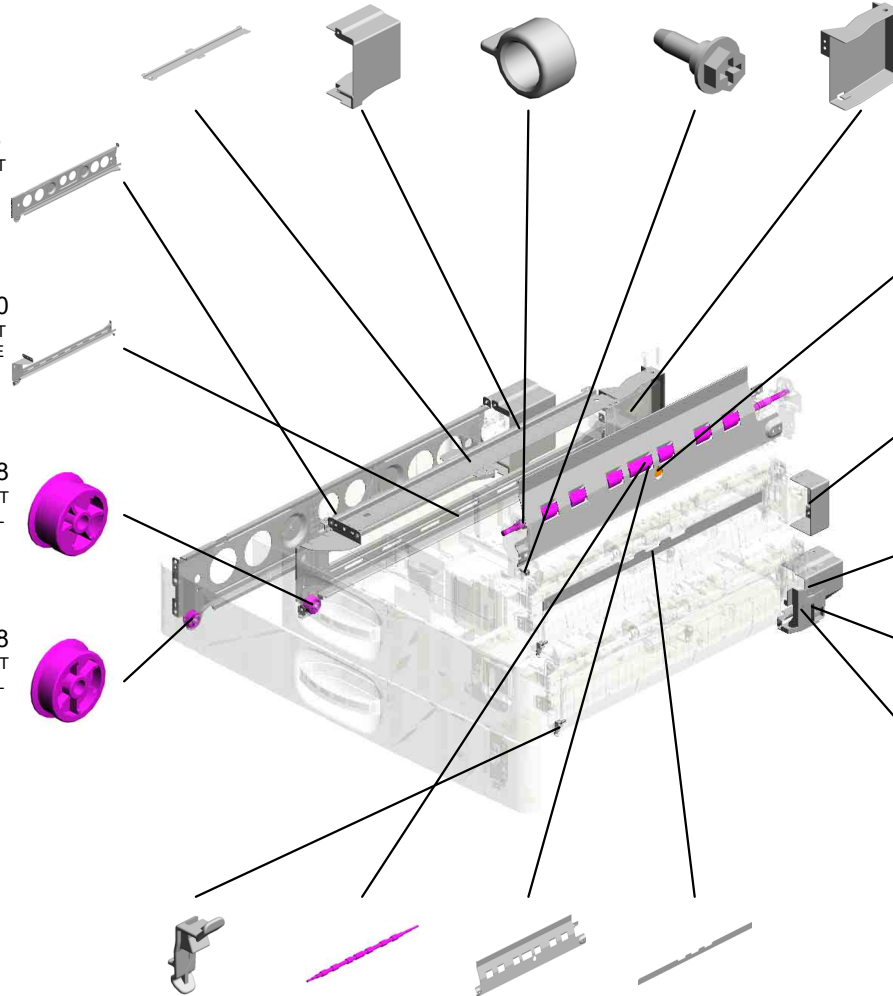


78.D0E32925 SUPPORTER:LEFT :NO.2:PEEN

121.D1492930 SUPPORTER:LEFT LOWER:NO.1:PEEN

126.D1492958 ROLLER:SUPPORTER:PAPER TRAY:LEFT

120.D1492928 ROLLER:SUPPORTER:PAPER TRAY:LEFT



147.GW010007 PHOTO REFLECTI ON SENSOR:EXIT:( S9/S10/S12/S14/S2 2/S24)

111.D1492886 COVER:TRAY:REA R RIGHT:NO.1

113.D1492888 COVER:TRAY:REA R RIGHT:NO.2

98.D1492787 BRACKET:SUPPO RT:COVER

99.D1492788 INNER COVER:HA RNNESS:PAPER FE ED UNIT

138.D2412731 (x2) STOPPER:GUIDE PLATE:SWIVEL

134.D2412559 SHAFT:REGISTRATION ROLLER:DRIVEN

135.D2412576 GUIDE PLATE:REGISTRATION:FRONT LEFT

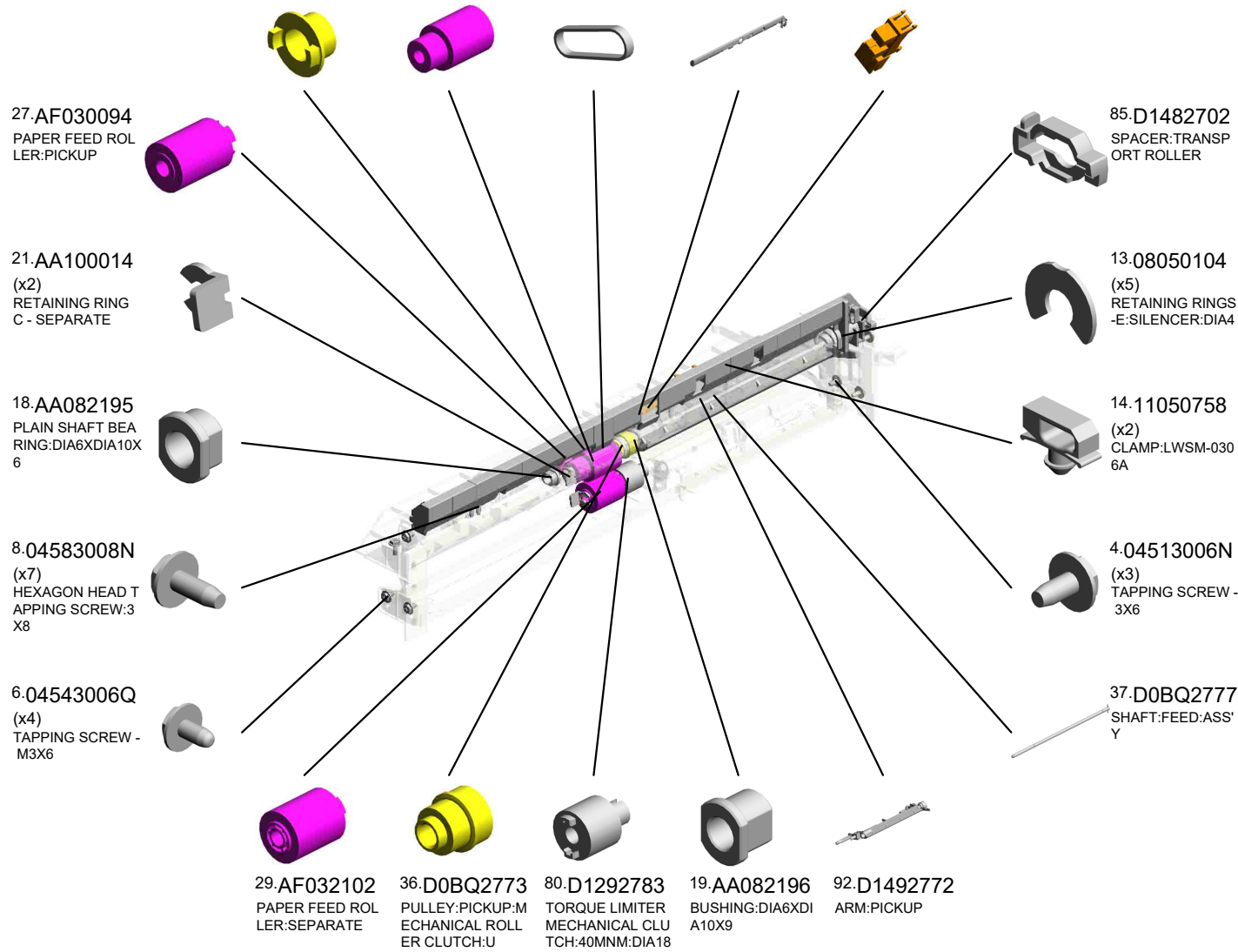
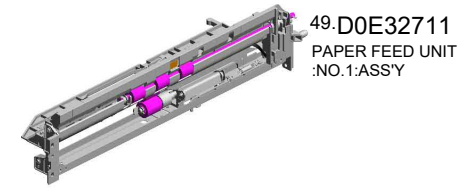
90.D1492712 SHEET:GUIDE PLATE:SWIVEL

U001	U002	U003	U004	U005	<b>U006</b>	U007	U008	U009	U010	U011	U012	U013	U014	U015	U016	U017	U018	U019
------	------	------	------	------	-------------	------	------	------	------	------	------	------	------	------	------	------	------	------



U006\_S001  
PAPER FEED UNIT:NO.1:ASS'Y

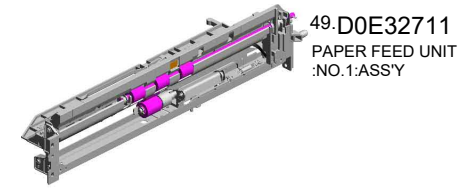
- 93.D1492774 PULLEY:IDLER:PIKUP
- 28.AF031185 PAPER FEED ROLLER:FEED
- 35.B8303504 TIMING BELT - 40S2M100
- 53.D0E32741 GUIDE PLATE:VERTICAL TRANSPORT:PAPER FEED UNIT:NO.1
- 30.AW020234 (x2) PHOTOINTERRUPTOR:GP1A173LCS5F:(S5/S6/S8/S11/S13/S15/S23/S25/S32)



U001	U002	U003	U004	U005	U006	U007	U008	U009	U010	U011	U012	U013	U014	U015	U016	U017	U018	U019
------	------	------	------	------	------	------	------	------	------	------	------	------	------	------	------	------	------	------

U006\_S001  
 PAPER FEED UNIT:NO.1:ASS'Y

97.D1492784 BRACKET:SENSOR:PAPER FEED  
 147.GW010007 (x2) PHOTO REFLECTI ON SENSOR:EXIT:(S9/S10/S12/S14/S22/S24)  
 132.D2022791 GUIDE:FEED  
 131.D2022778 FEELER:PAPER END



95.D1492780 GROUND WIRE:SENSOR:PAPER FEED

96.D1492781 GROUND PLATE:PAPER FEED UNIT

94.D1492777 COIL SPRING:PRESSURE:PICKUP

142.D2412762 TRANSPORT ROLLER:VERTICAL TRANSPORT:ASS'Y

136.D2412719 GROUND PLATE:SENSOR:TRANSPORT

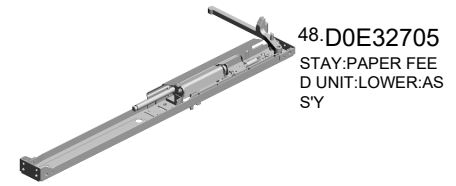
143.D2412782 PLATE:HARNESS:PAPER FEED UNIT  
 141.D2412760 STAY:PAPER FEED UNIT:UPPER:PE EN

U001	U002	U003	U004	U005	U006	U007	U008	U009	U010	U011	U012	U013	U014	U015	U016	U017	U018	U019
------	------	------	------	------	------	------	------	------	------	------	------	------	------	------	------	------	------	------

U006\_S001\_S001

STAY:PAPER FEED UNIT:LOWER:ASS'Y

86.D1482751 13.08050104 91.D1492739  
 ARM:PRESSURE:SEPARATE RETAINING RINGS LEVER:PRESSURE  
 EPARATE -E:SILENCER:DIA4 RELEASE

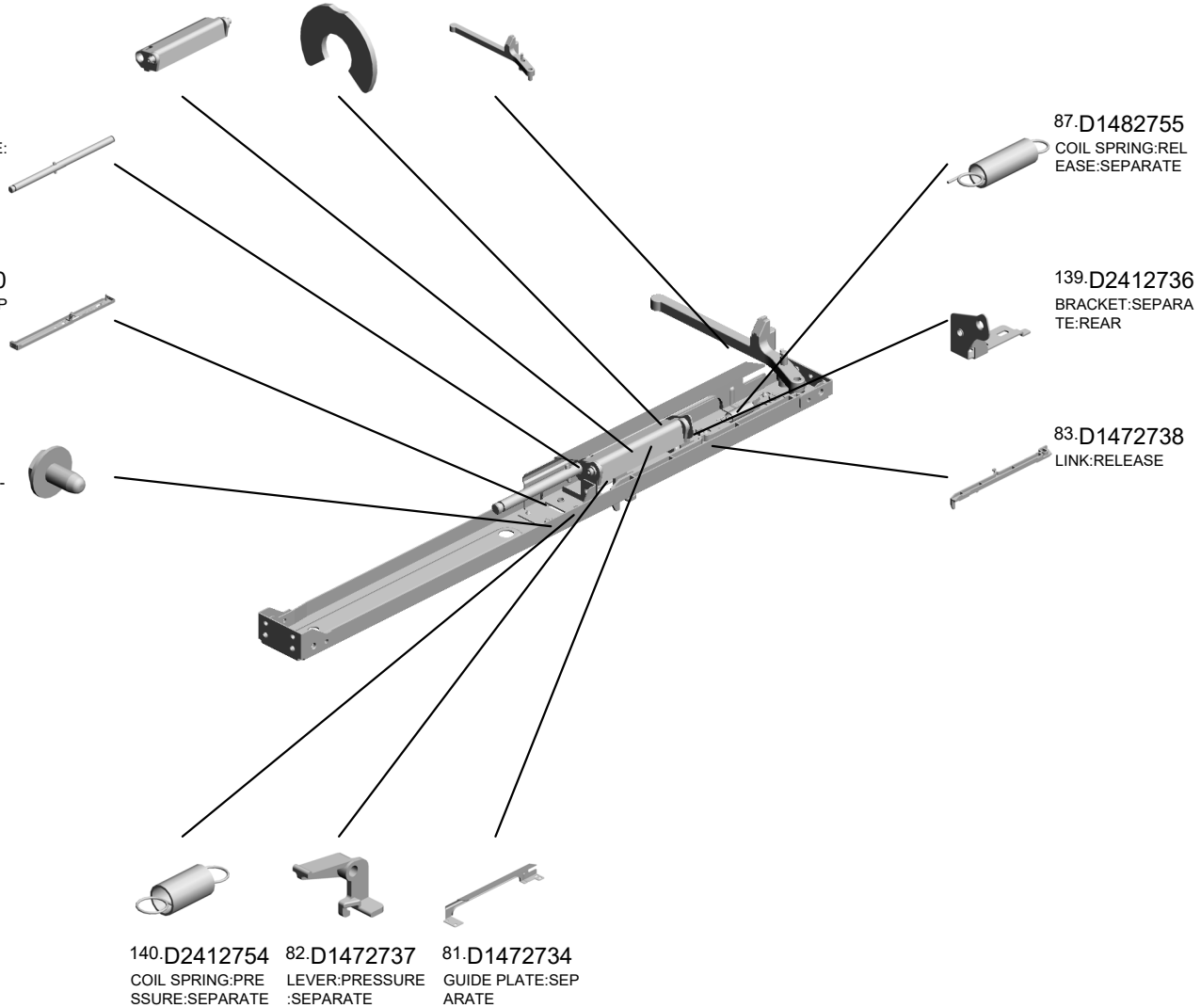


48.D0E32705  
 STAY:PAPER FEED UNIT:LOWER:ASS'Y

84.D1472752  
 SHAFT:SEPARATE:ASS'Y

137.D2412730  
 STAY:SEPARATE:PEEN

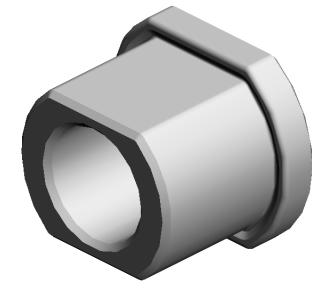
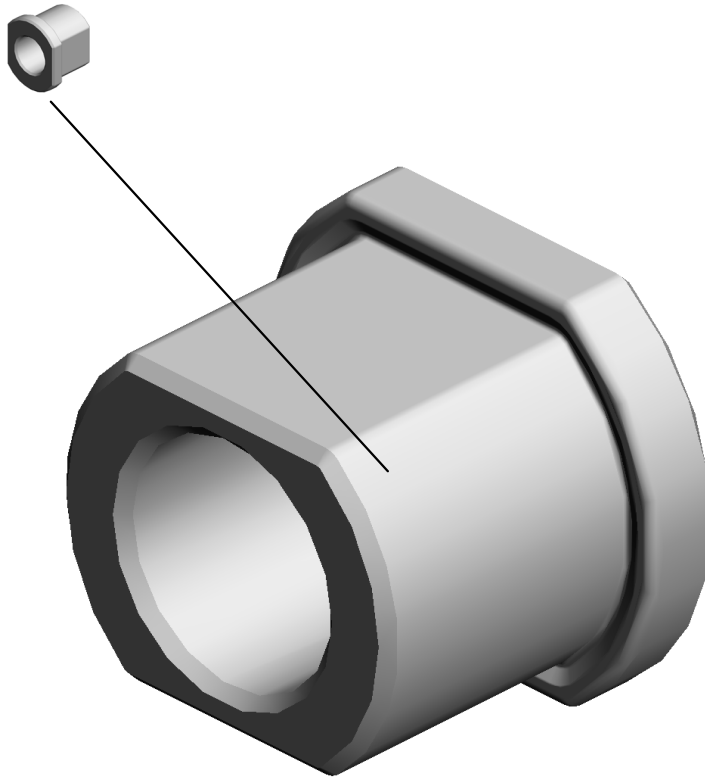
6.04543006Q  
 (x3)  
 TAPPING SCREW - M3X6



U001	U002	U003	U004	U005	U006	U007	U008	U009	U010	U011	U012	U013	U014	U015	U016	U017	U018	U019
------	------	------	------	------	------	------	------	------	------	------	------	------	------	------	------	------	------	------

U006\_S001\_S002  
PLAIN SHAFT BEARING:FEED

19-AA082196  
BUSHING:DIA6XDI  
A10X9

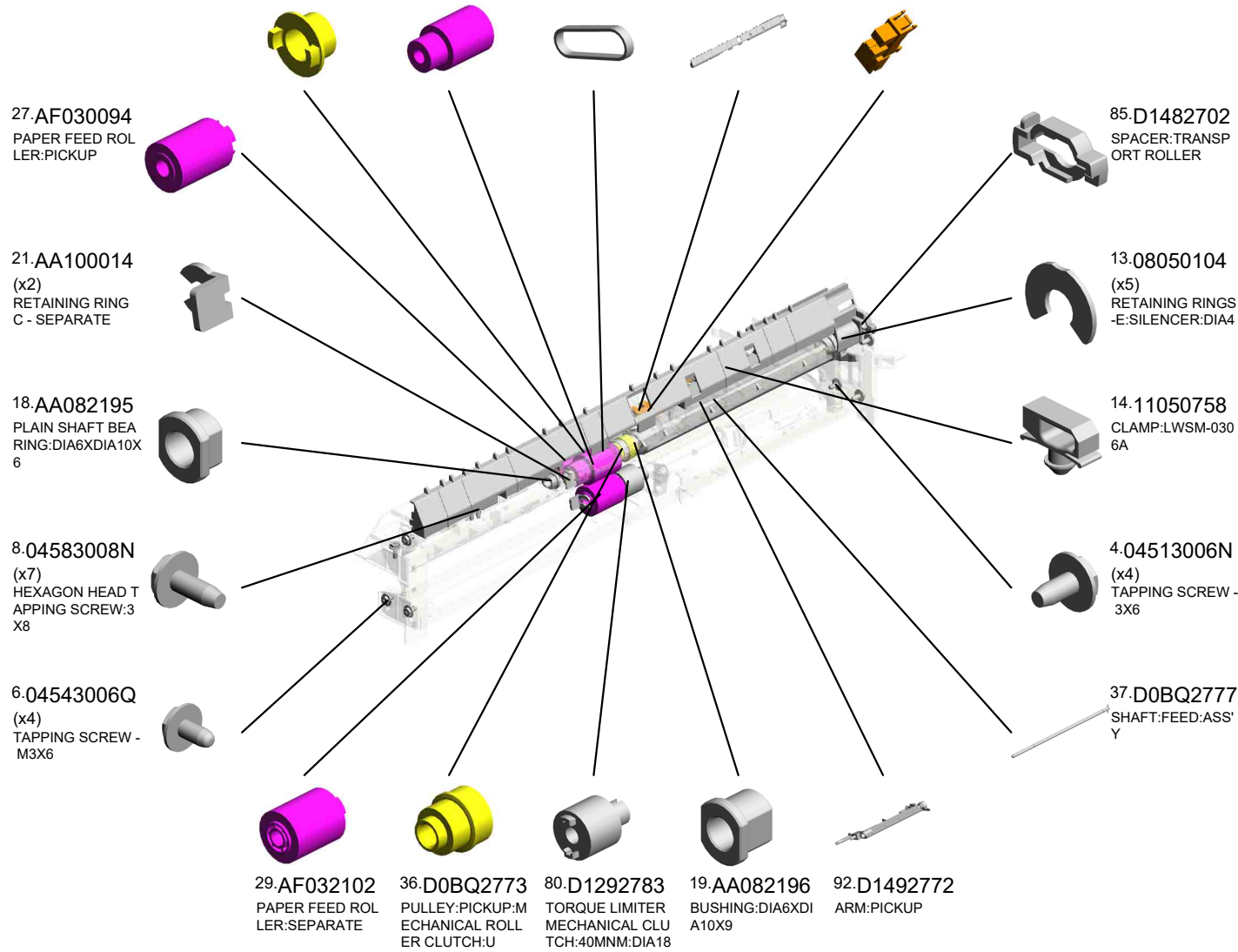
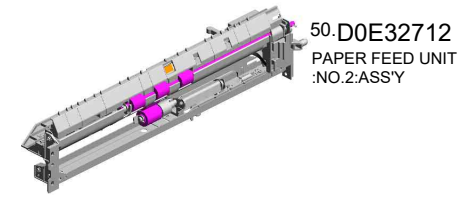


38.D0BQ2786  
PLAIN SHAFT BEA  
RING:FEED

U001	U002	U003	U004	U005	<b>U006</b>	U007	U008	U009	U010	U011	U012	U013	U014	U015	U016	U017	U018	U019
------	------	------	------	------	-------------	------	------	------	------	------	------	------	------	------	------	------	------	------

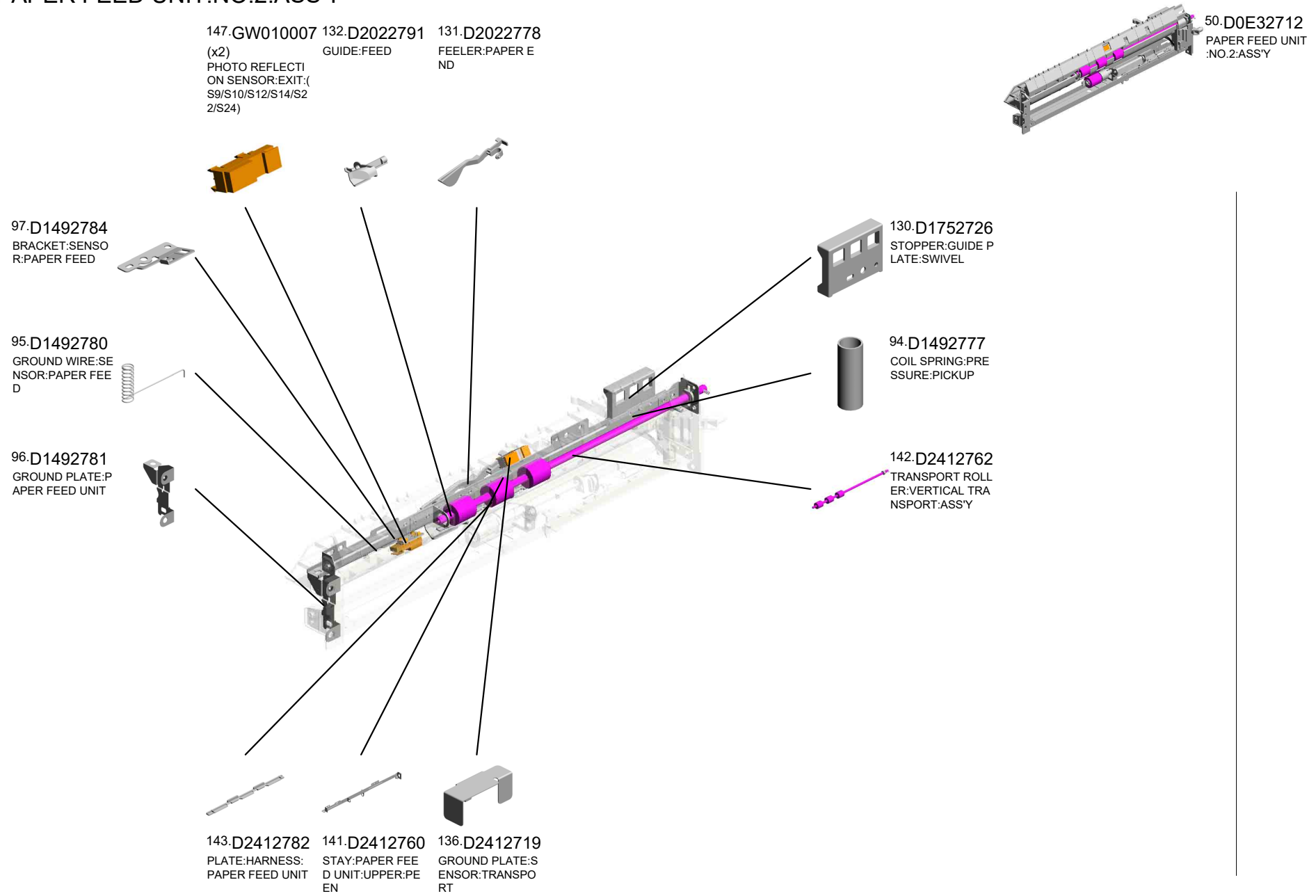
U006\_S002  
PAPER FEED UNIT:NO.2:ASS'Y

- 93.D1492774 PULLEY:IDLER:PIKUP
- 28.AF031185 PAPER FEED ROLLER:FEED
- 35.B8303504 TIMING BELT - 40S2M100
- 54.D0E32742 GUIDE PLATE:VERTICAL TRANSPORT:PAPER FEED UNIT:NO.2
- 30.AW020234 (x2) PHOTOINTERRUPTOR:GP1A173LCS5F:(S5/S6/S8/S11/S13/S15/S23/S25/S32)



U001	U002	U003	U004	U005	U006	U007	U008	U009	U010	U011	U012	U013	U014	U015	U016	U017	U018	U019
------	------	------	------	------	------	------	------	------	------	------	------	------	------	------	------	------	------	------

U006\_S002  
PAPER FEED UNIT:NO.2:ASS'Y

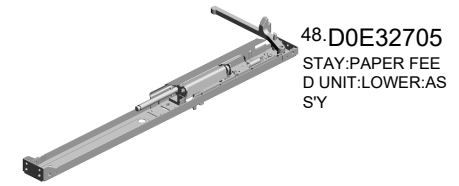


U001	U002	U003	U004	U005	U006	U007	U008	U009	U010	U011	U012	U013	U014	U015	U016	U017	U018	U019
------	------	------	------	------	------	------	------	------	------	------	------	------	------	------	------	------	------	------

U006\_S002\_S001

STAY:PAPER FEED UNIT:LOWER:ASS'Y

86.D1482751 13.08050104 91.D1492739  
 ARM:PRESSURE:SEPARATE RETAINING RINGS LEVER:PRESSURE  
 EPARATE -E:SILENCER:DIA4 RELEASE

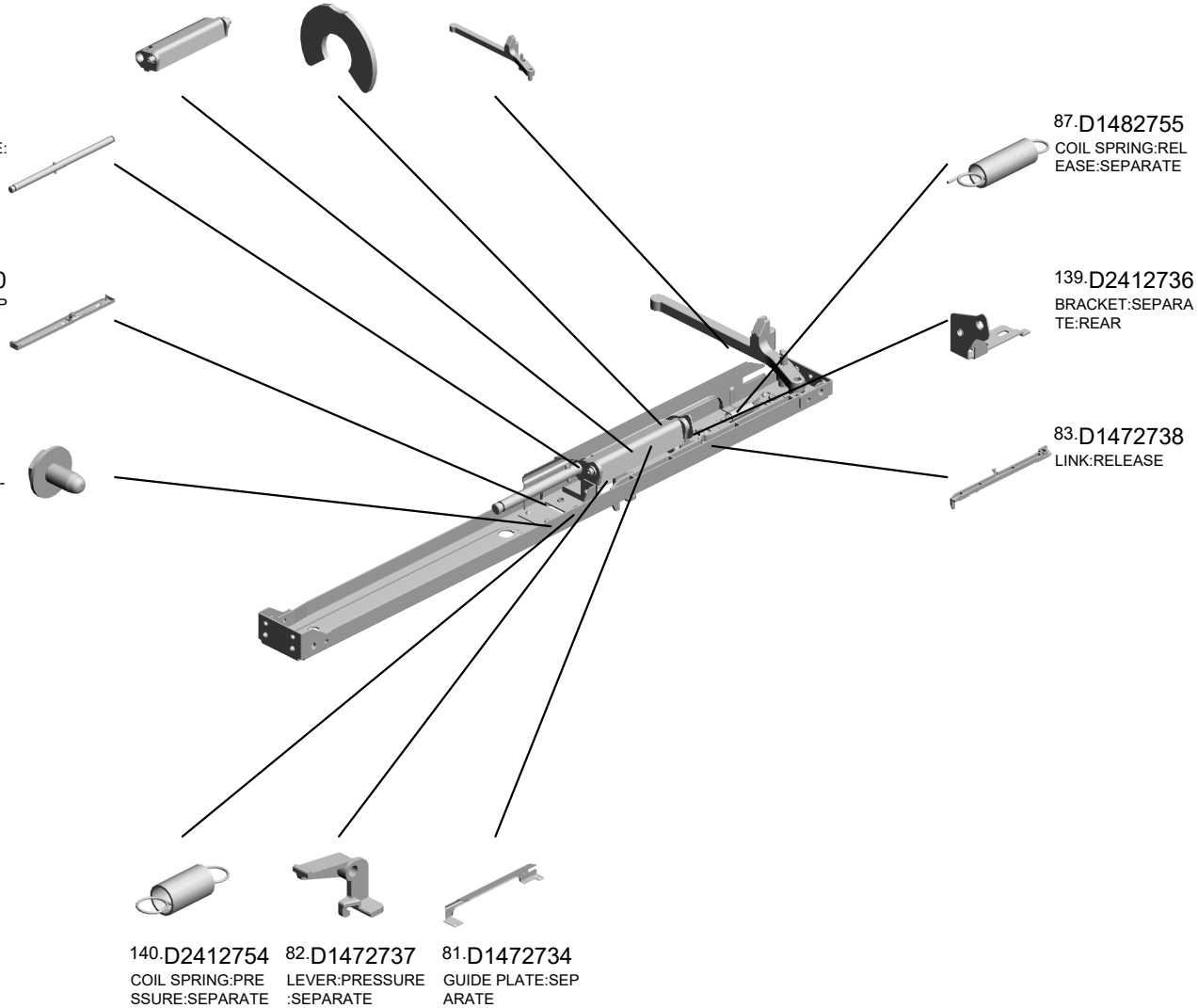


48.D0E32705  
 STAY:PAPER FEED UNIT:LOWER:ASS'Y

84.D1472752  
 SHAFT:SEPARATE:ASS'Y

137.D2412730  
 STAY:SEPARATE:PEEN

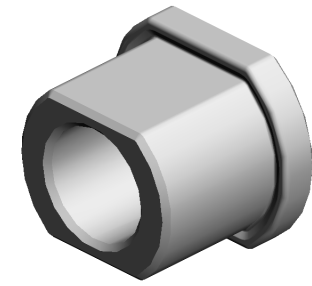
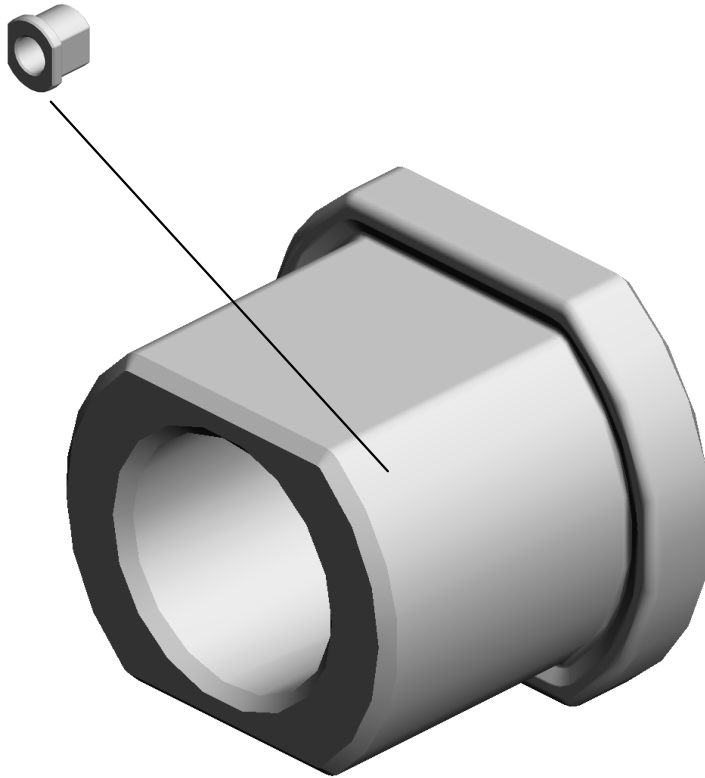
6.04543006Q  
 (x3)  
 TAPPING SCREW - M3X6



U001	U002	U003	U004	U005	U006	U007	U008	U009	U010	U011	U012	U013	U014	U015	U016	U017	U018	U019
------	------	------	------	------	------	------	------	------	------	------	------	------	------	------	------	------	------	------

U006\_S002\_S002  
PLAIN SHAFT BEARING:FEED

19-AA082196  
BUSHING: DIA6XDI  
A10X9



38.D0BQ2786  
PLAIN SHAFT BEA  
RING:FEED

U001	U002	U003	U004	U005	<b>U006</b>	U007	U008	U009	U010	U011	U012	U013	U014	U015	U016	U017	U018	U019
------	------	------	------	------	-------------	------	------	------	------	------	------	------	------	------	------	------	------	------



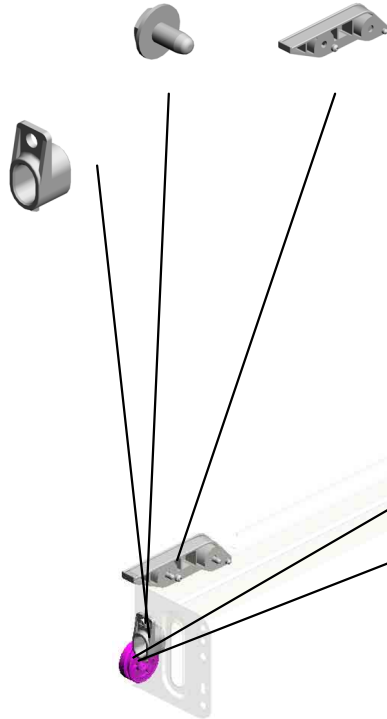
U006\_S003  
 SUPPORTER:RIGHT:NO.1:ASS'Y

6.04543006Q (x3) TAPPING SCREW - M3X6  
 77.D0E32924 STOPPER:PAPER TRAY



116.D1492905  
 SUPPORTER:RIGHT:  
 T:NO.1:ASS'Y

76.D0E32913  
 HOLDER:POSITIO  
 NING



12.08050103  
 RETAINING RINGS  
 -E:SILENCER:DIA3



125.D1492956  
 ROLLER:SUPPORT  
 ER:PAPER TRAY

U001	U002	U003	U004	U005	U006	U007	U008	U009	U010	U011	U012	U013	U014	U015	U016	U017	U018	U019
------	------	------	------	------	------	------	------	------	------	------	------	------	------	------	------	------	------	------

U006\_S004  
 SUPPORTER:RIGHT:NO.2:ASS'Y

6.04543006Q 77.D0E32924  
 (x3) STOPPER:PAPER  
 TAPPING SCREW - TRAY  
 M3X6

115.D1492903  
 SUPPORTER:RIGHT:  
 T:NO.2:ASS'Y

76.D0E32913  
 HOLDER:POSITIO  
 NING

118.D1492920  
 SUPPORTER:RIGHT:  
 T:PEEN

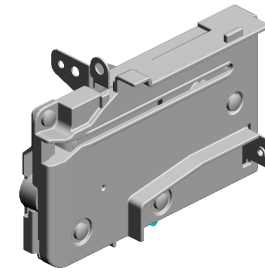
119.D1492923  
 ROLLER:SUPPORT  
 ER:PAPER TRAY

12.08050103  
 RETAINING RINGS  
 -E:SILENCER:DIA3

U001	U002	U003	U004	U005	<b>U006</b>	U007	U008	U009	U010	U011	U012	U013	U014	U015	U016	U017	U018	U019
------	------	------	------	------	-------------	------	------	------	------	------	------	------	------	------	------	------	------	------

U006\_S005  
LEVER:STRETCH:PAPER TRAY:ASS'Y

2.03530040N (x5) SCREW - M3X4  
 145.D2412943 TENSION SPRING: LEVER:AUXILIARY  
 128.D1492964 LEVER:LOCK:PAW L



144.D2412906  
LEVER:STRETCH:  
PAPER TRAY:ASS'  
Y

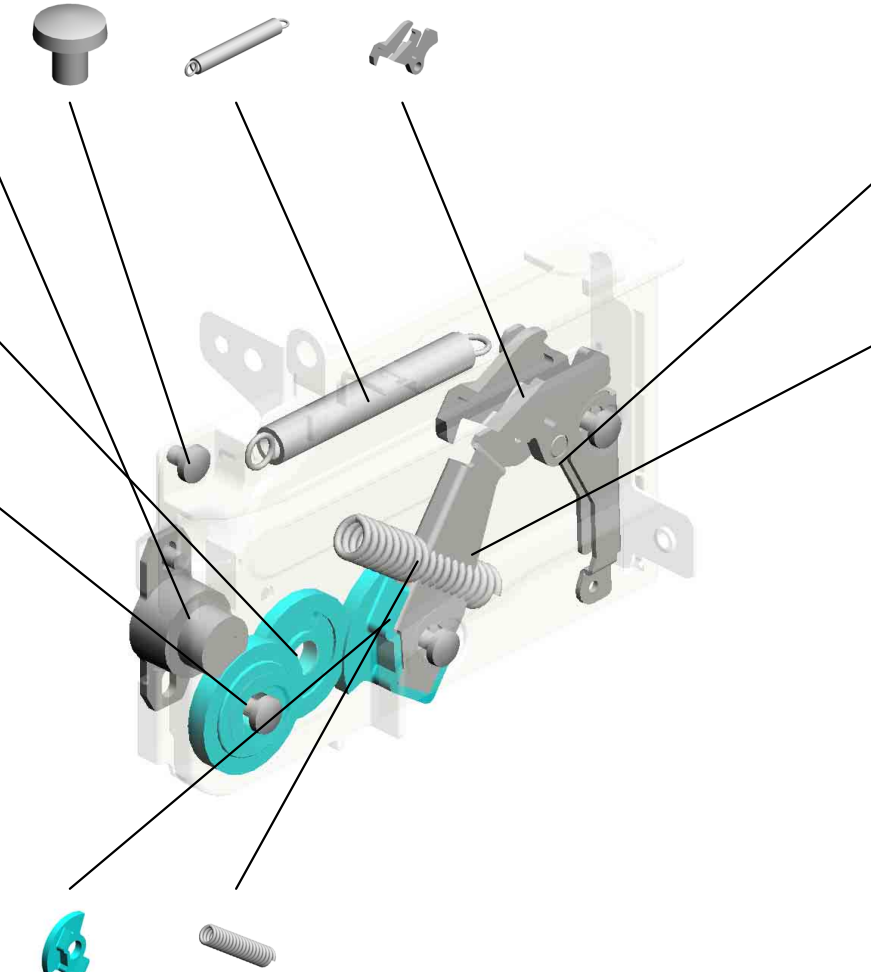
79.D0E32945  
OIL DAMPER:30MN



123.D1492938  
GEAR:IDLER:Z25



124.D1492948  
GEAR:IDLER:Z26



129.D1492965  
LEVER:STRETCH:  
COIL SPRING



127.D1492961  
LEVER:STRETCH:  
PEEN



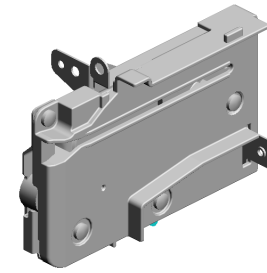
122.D1492937 GEAR:LEVER:STR  
ETCH  
 88.D1482942 TENSION SPRING:  
LEVER



U001	U002	U003	U004	U005	<b>U006</b>	U007	U008	U009	U010	U011	U012	U013	U014	U015	U016	U017	U018	U019
------	------	------	------	------	-------------	------	------	------	------	------	------	------	------	------	------	------	------	------

U006\_S006  
LEVER:STRETCH:PAPER TRAY:ASS'Y

2.03530040N (x5) SCREW - M3X4  
 145.D2412943 TENSION SPRING: LEVER:AUXILIARY  
 128.D1492964 LEVER:LOCK:PAW L



144.D2412906  
LEVER:STRETCH:  
PAPER TRAY:ASS'  
Y

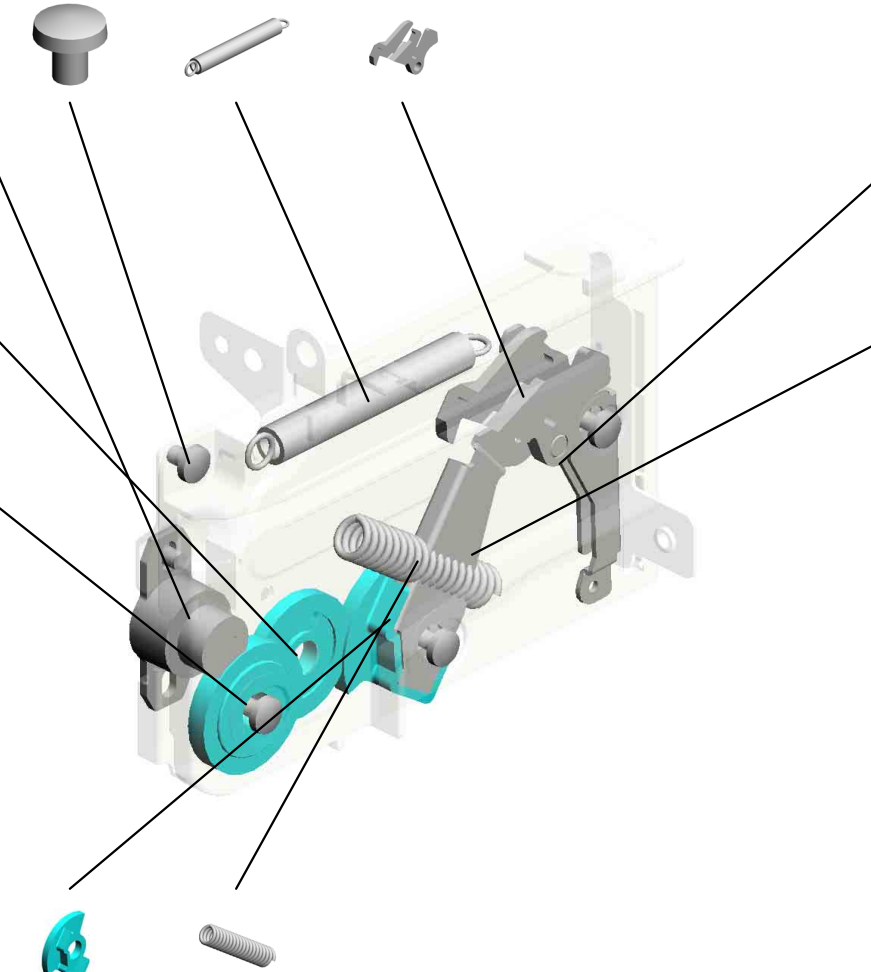
79.D0E32945  
OIL DAMPER:30MN



123.D1492938  
GEAR:IDLER:Z25



124.D1492948  
GEAR:IDLER:Z26



129.D1492965  
LEVER:STRETCH:  
COIL SPRING



127.D1492961  
LEVER:STRETCH:  
PEEN



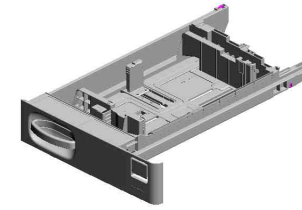
122.D1492937 GEAR:LEVER:STR  
ETCH  
 88.D1482942 TENSION SPRING:  
LEVER



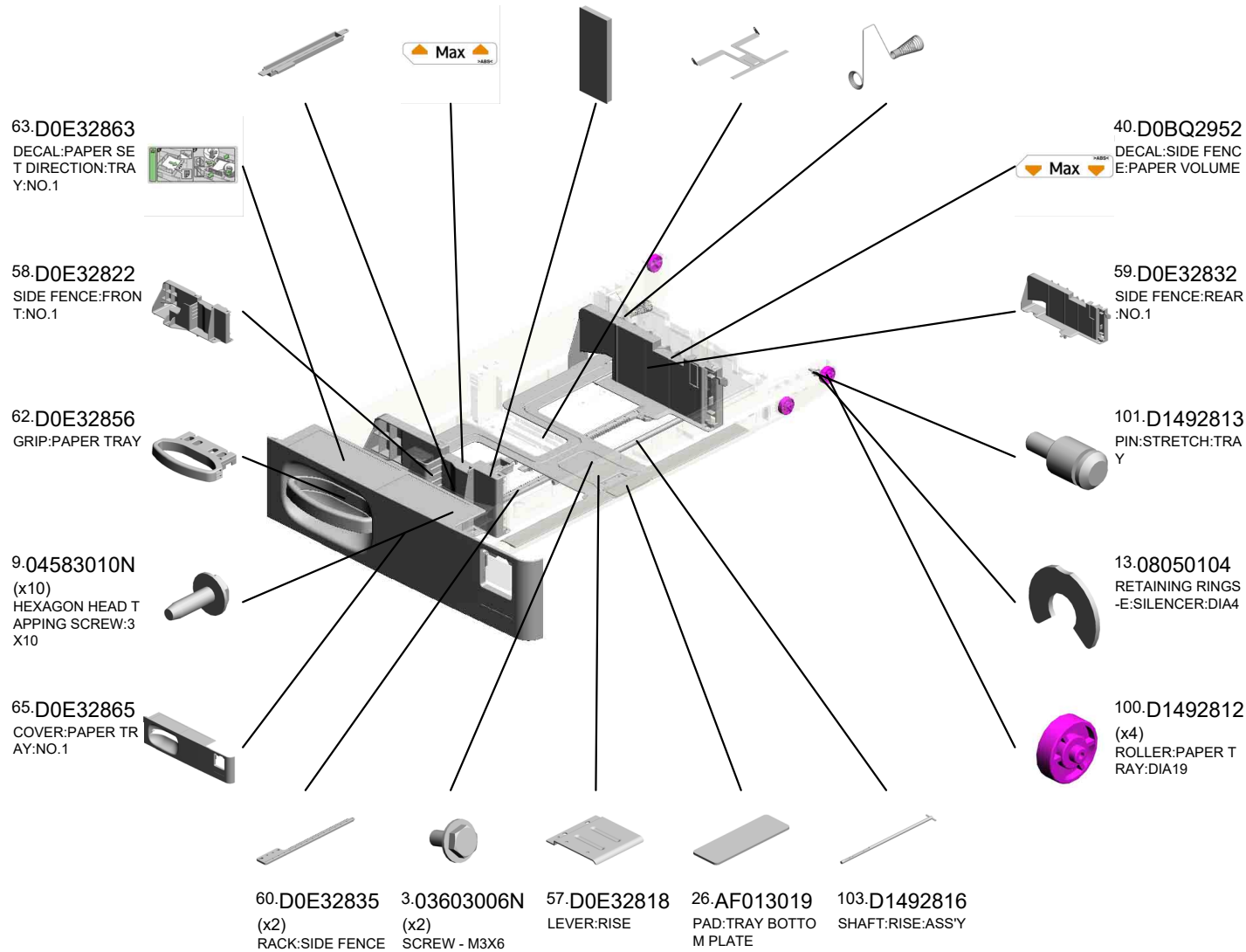
U001	U002	U003	U004	U005	<b>U006</b>	U007	U008	U009	U010	U011	U012	U013	U014	U015	U016	U017	U018	U019
------	------	------	------	------	-------------	------	------	------	------	------	------	------	------	------	------	------	------	------

U006\_S007  
PAPER TRAY:NO.1:ASS'Y

- 75.D0E32897 LATCH:SIDE FENCE
- 42.D0BQ2959 DECAL:SIDE FENCE:PAPER VOLUME:FRONT
- 34.B2342864 (x2) PAD:CLEANER
- 68.D0E32874 TRAY BOTTOM PLATE:NO.2
- 102.D1492814 COIL SPRING:EAR TH



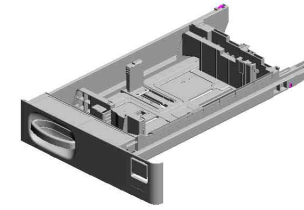
55.D0E32800  
PAPER TRAY:NO.1  
:ASS'Y



U001	U002	U003	U004	U005	U006	U007	U008	U009	U010	U011	U012	U013	U014	U015	U016	U017	U018	U019
------	------	------	------	------	------	------	------	------	------	------	------	------	------	------	------	------	------	------

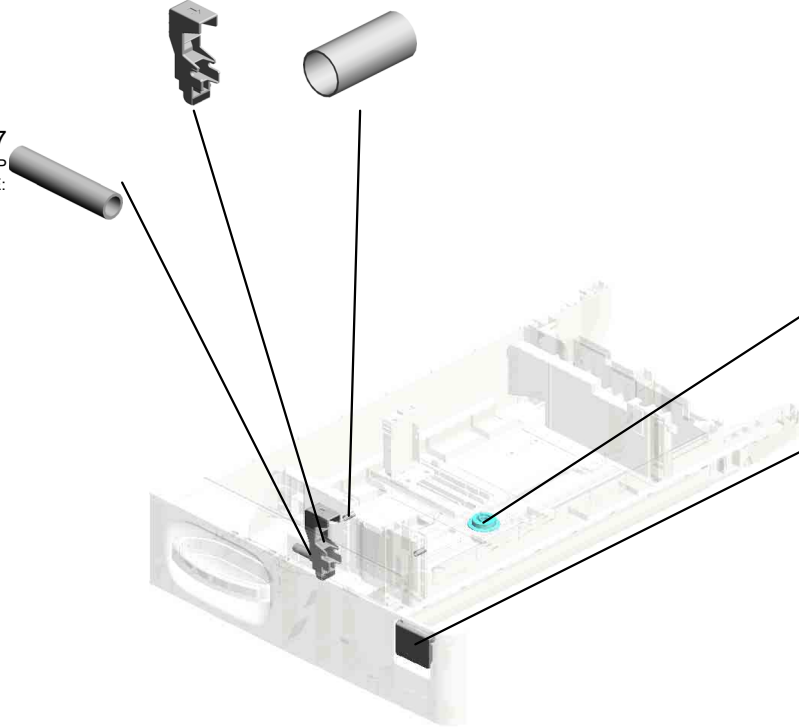
U006\_S007  
PAPER TRAY:NO.1:ASS'Y

104.D1492824 LEVER:STOPPER:  
FRONT  
105.D1492826 (x2)  
COMPRESSION SP  
RING:SIDE FENCE:  
PLATE:FRONT



55.D0E32800  
PAPER TRAY:NO.1  
:ASS'Y

106.D1492827  
COMPRESSION SP  
RING:SIDE FENCE:  
POSITIONING



107.D1492836  
GEAR:Z20



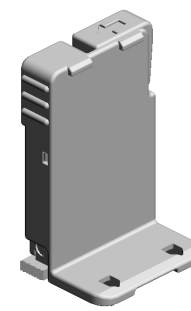
133.D2411242  
COVER:MAIN SWIT  
CH



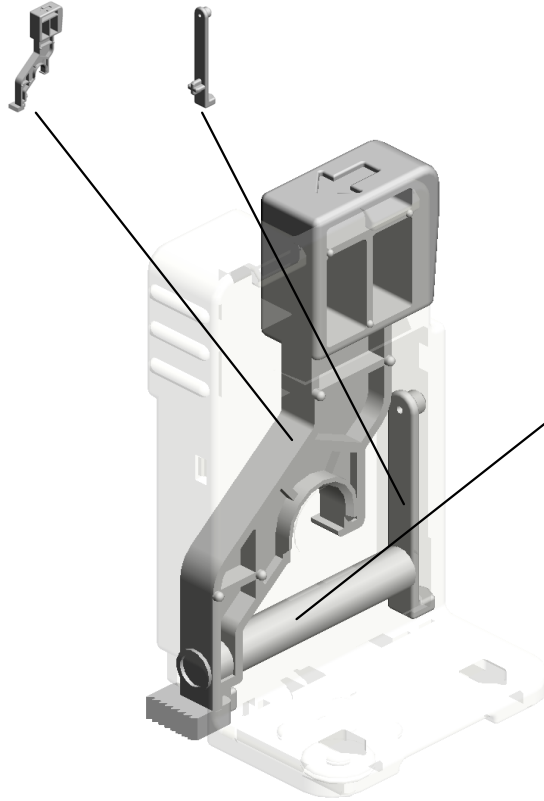
U001	U002	U003	U004	U005	<b>U006</b>	U007	U008	U009	U010	U011	U012	U013	U014	U015	U016	U017	U018	U019
------	------	------	------	------	-------------	------	------	------	------	------	------	------	------	------	------	------	------	------

U006\_S007\_S001  
END FENCE:PAPER TRAY:ASS'Y

108.D1492842 109.D1492843  
LEVER:END FENC E CLICK:END FENCE



39.D0BQ2840  
END FENCE:PAPE R TRAY:ASS'Y

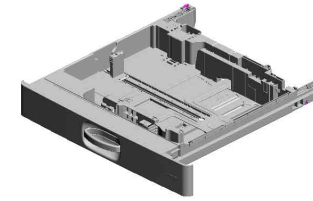


110.D1492845  
COMPRESSION SP RING:END FENCE: LEVER:5N

U001	U002	U003	U004	U005	<b>U006</b>	U007	U008	U009	U010	U011	U012	U013	U014	U015	U016	U017	U018	U019
------	------	------	------	------	-------------	------	------	------	------	------	------	------	------	------	------	------	------	------

U006\_S008  
PAPER TRAY:NO.2:ASS'Y

- 69.D0E32875 LINK:END FENCE: PAPER SIZE SENSOR
- 67.D0E32872 SIDE FENCE:AUXILIARY
- 100.D1492812 (x4) ROLLER:PAPER TRAY:DIA19
- 9.04583010N (x12) HEXAGON HEAD TAPPING SCREW:3X10
- 102.D1492814 COIL SPRING:EAR TH



56.D0E32805  
PAPER TRAY:NO.2  
:ASS'Y

61.D0E32837  
DECAL:SET:SIDE FENCE:AUXILIARY



64.D0E32864  
DECAL:PAPER SET DIRECTION:TRAY:NO.2



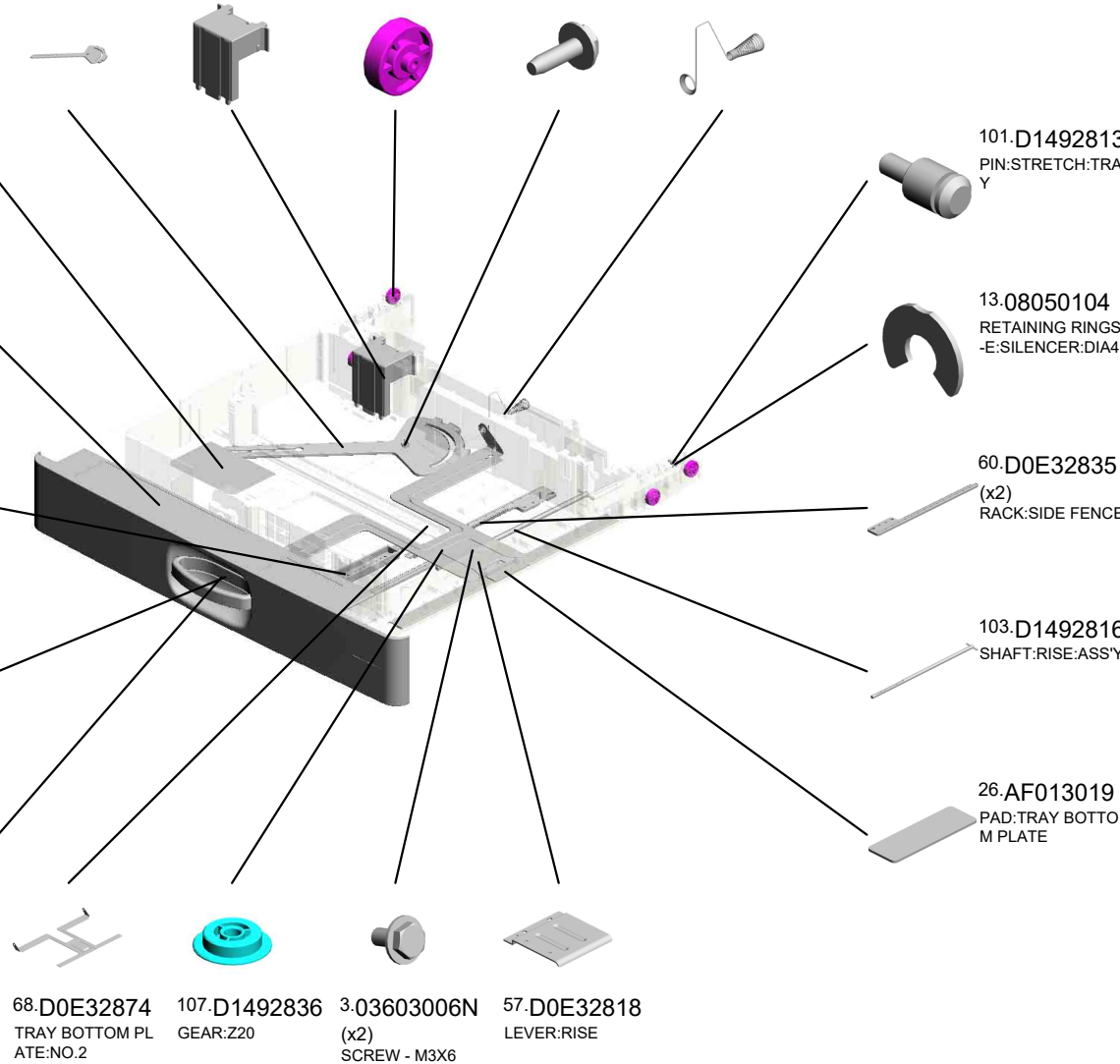
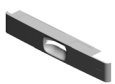
75.D0E32897  
LATCH:SIDE FENCE



62.D0E32856  
GRIP:PAPER TRAY



66.D0E32866  
COVER:PAPER TRAY:NO.2



101.D1492813  
PIN:STRETCH:TRAY



13.08050104  
RETAINING RINGS -E:SILENCER:DIA4



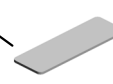
60.D0E32835  
(x2)  
RACK:SIDE FENCE



103.D1492816  
SHAFT:RISE:ASS'Y



26.AF013019  
PAD:TRAY BOTTOM PLATE



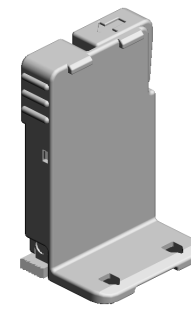
- 68.D0E32874 TRAY BOTTOM PLATE:NO.2
- 107.D1492836 GEAR:Z20
- 3.03603006N (x2) SCREW - M3X6
- 57.D0E32818 LEVER:RISE

U001	U002	U003	U004	U005	U006	U007	U008	U009	U010	U011	U012	U013	U014	U015	U016	U017	U018	U019
------	------	------	------	------	------	------	------	------	------	------	------	------	------	------	------	------	------	------

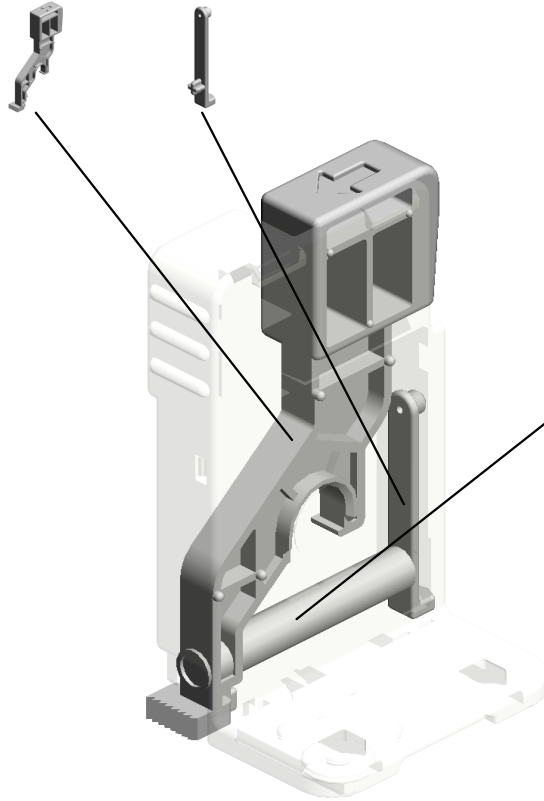


U006\_S008\_S001  
END FENCE:PAPER TRAY:ASS'Y

108.D1492842 109.D1492843  
LEVER:END FENC E CLICK:END FENCE



39.D0BQ2840  
END FENCE:PAPE R TRAY:ASS'Y



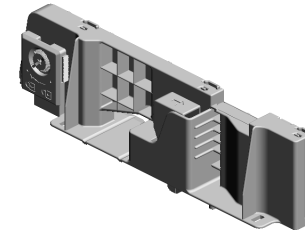
110.D1492845  
COMPRESSION SP RING:END FENCE: LEVER:5N



U001	U002	U003	U004	U005	<b>U006</b>	U007	U008	U009	U010	U011	U012	U013	U014	U015	U016	U017	U018	U019
------	------	------	------	------	-------------	------	------	------	------	------	------	------	------	------	------	------	------	------

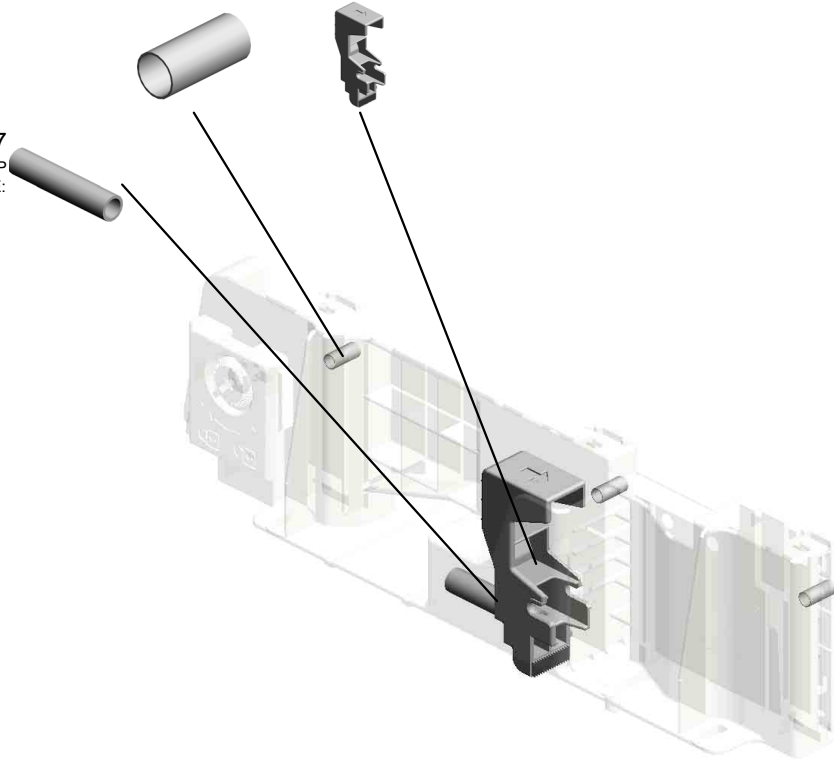
U006\_S008\_S002  
SIDE FENCE:FRONT:ASSY

105.D1492826 104.D1492824  
(x3) LEVER:STOPPER:  
COMPRESSION SP FRONT  
RING:SIDE FENCE:  
PLATE:FRONT



70.D0E32876  
SIDE FENCE:FRON  
T:ASSY

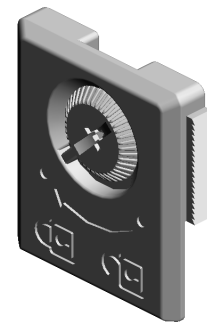
106.D1492827  
COMPRESSION SP  
RING:SIDE FENCE:  
POSITIONING



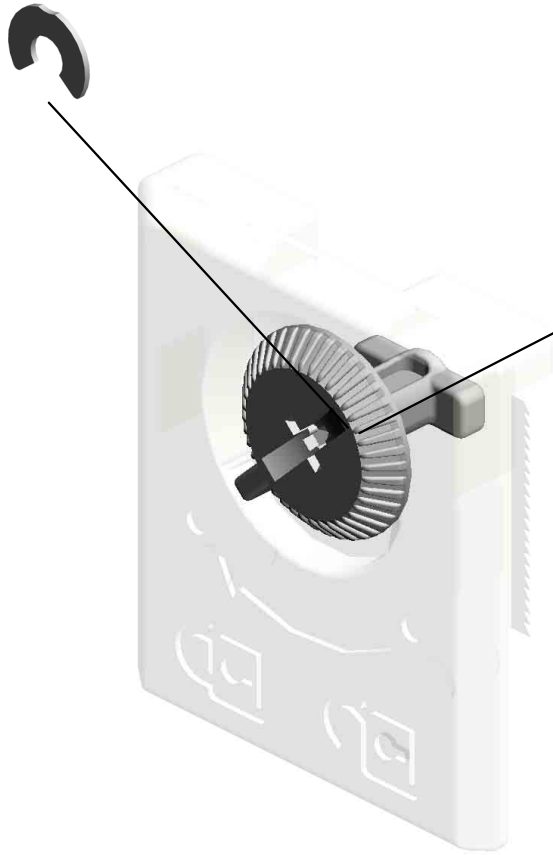
U001	U002	U003	U004	U005	<b>U006</b>	U007	U008	U009	U010	U011	U012	U013	U014	U015	U016	U017	U018	U019
------	------	------	------	------	-------------	------	------	------	------	------	------	------	------	------	------	------	------	------

U006\_S008\_S002\_S001  
STAY:END FENCE:ASS'Y

13.08050104  
RETAINING RINGS  
-E:SILENCER:DIA4



43.D0BQ2966  
STAY:END FENCE:  
ASS'Y

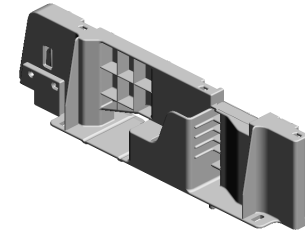


44.D0BQ2967  
KNOB SCREW:STA  
Y:END FENCE

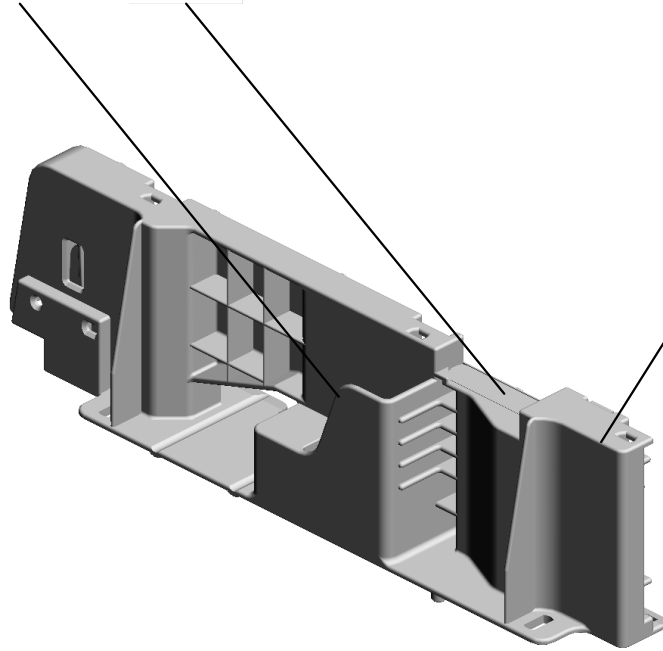
U001	U002	U003	U004	U005	<b>U006</b>	U007	U008	U009	U010	U011	U012	U013	U014	U015	U016	U017	U018	U019
------	------	------	------	------	-------------	------	------	------	------	------	------	------	------	------	------	------	------	------

U006\_S008\_S002\_S002  
SIDE FENCE:FRONT:SUB-ASS'Y

72.D0E32878 42.D0BQ2959  
SIDE FENCE:FRON DECAL:SIDE FENC  
T:UNIVERSAL:NO.2 E:PAPER VOLUME:  
FRONT FRONT



71.D0E32877  
SIDE FENCE:FRON  
T:SUB-ASS'Y



34.B2342864  
PAD:CLEANER

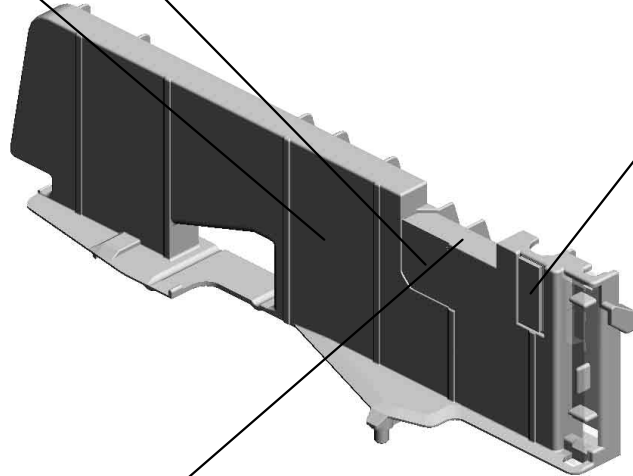
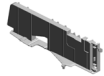
U001	U002	U003	U004	U005	<b>U006</b>	U007	U008	U009	U010	U011	U012	U013	U014	U015	U016	U017	U018	U019
------	------	------	------	------	-------------	------	------	------	------	------	------	------	------	------	------	------	------	------

U006\_S008\_S003  
SIDE FENCE:REAR:ASSY

41.D0BQ2954  
DECAL:SIDE FENC  
E:PAPER VOLUME:  
ENVELOPE



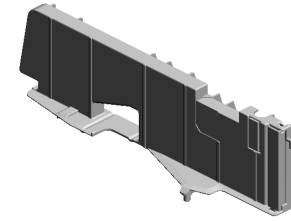
73.D0E32879  
SIDE FENCE:REAR  
:UNIVERSAL:NO.2



34.B2342864  
PAD:CLEANER



40.D0BQ2952  
DECAL:SIDE FENC  
E:PAPER VOLUME

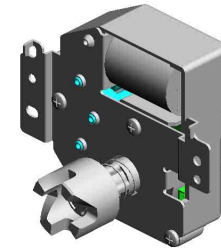


74.D0E32880  
SIDE FENCE:REAR  
:ASSY

U001	U002	U003	U004	U005	<b>U006</b>	U007	U008	U009	U010	U011	U012	U013	U014	U015	U016	U017	U018	U019
------	------	------	------	------	-------------	------	------	------	------	------	------	------	------	------	------	------	------	------

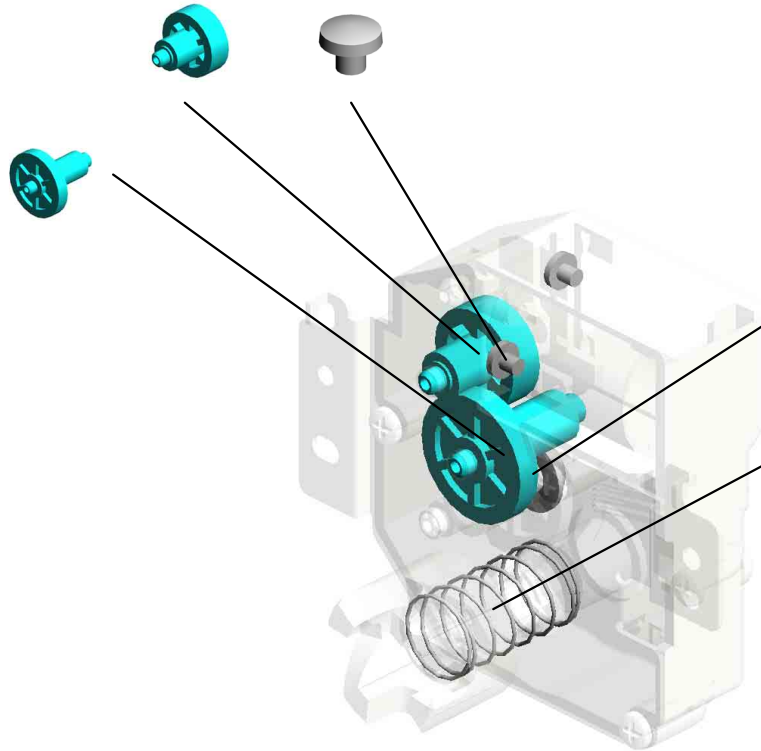
U006\_S009  
 DC MOTOR:RISING TRAY:ASS'Y:1.007W:BRUSH:(M9/M10)

25.AB017783 1.03530030N  
 GEAR:RISING TRA (x2)  
 Y:3 SCREW:M3X3



33.AX040273  
 DC MOTOR:RISING  
 TRAY:ASS'Y:1.007  
 W:BRUSH:(M9/M10  
 )

24.AB017782  
 GEAR:RISING TRA  
 Y:2



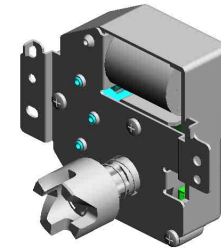
17.AA080361  
 PLAIN SHAFT BEA  
 RING:CASE:RISIN  
 G TRAY

16.AA063701  
 COMPRESSION SP  
 RING:RISING TRAY

U001	U002	U003	U004	U005	<b>U006</b>	U007	U008	U009	U010	U011	U012	U013	U014	U015	U016	U017	U018	U019
------	------	------	------	------	-------------	------	------	------	------	------	------	------	------	------	------	------	------	------

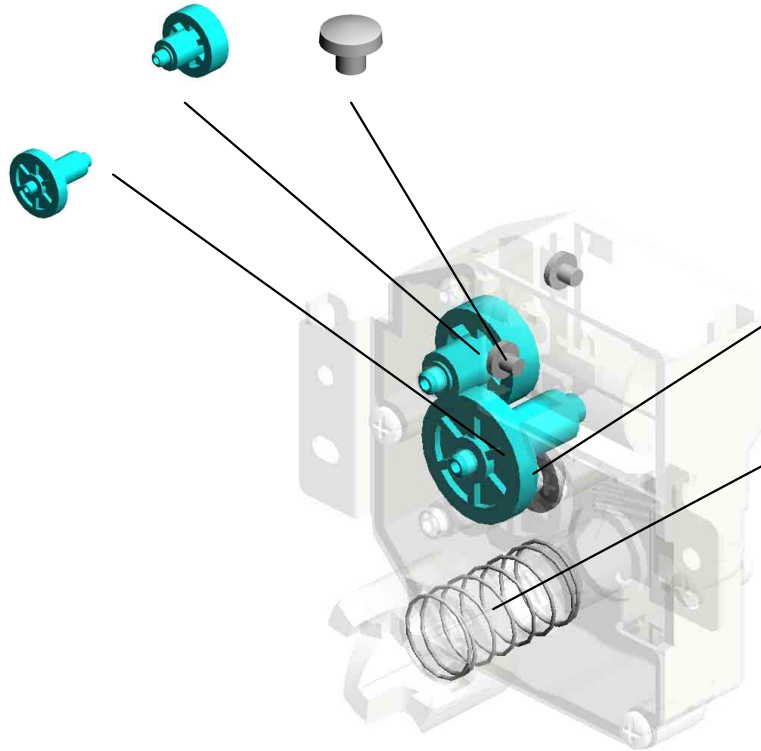
U006\_S010  
 DC MOTOR:RISING TRAY:ASS'Y:1.007W:BRUSH:(M9/M10)

25.AB017783 1.03530030N  
 GEAR:RISING TRA (x2)  
 Y:3 SCREW:M3X3



33.AX040273  
 DC MOTOR:RISING  
 TRAY:ASS'Y:1.007  
 W:BRUSH:(M9/M10  
 )

24.AB017782  
 GEAR:RISING TRA  
 Y:2



17.AA080361  
 PLAIN SHAFT BEA  
 RING:CASE:RISIN  
 G TRAY

16.AA063701  
 COMPRESSION SP  
 RING:RISING TRAY

U001	U002	U003	U004	U005	<b>U006</b>	U007	U008	U009	U010	U011	U012	U013	U014	U015	U016	U017	U018	U019
------	------	------	------	------	-------------	------	------	------	------	------	------	------	------	------	------	------	------	------

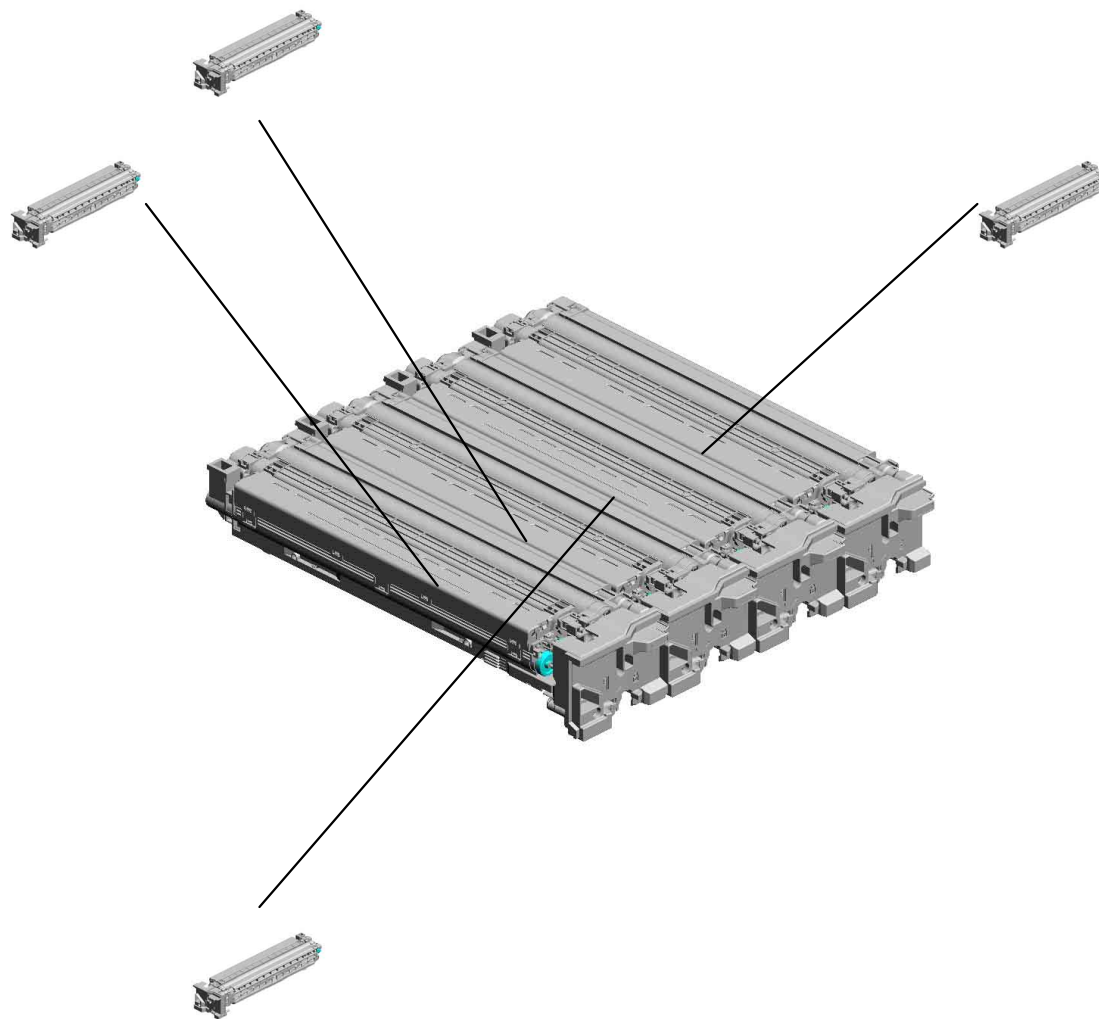
# U007.PCDU

U007 S003  
D0E22226  
PCDU:M:IMC4510-6010

U007 S004  
D0E22227  
PCDU:Y:IMC4510-6010

U007 S001  
D0E22224  
PCDU:K:IMC3010-6010

U007 S002  
D0E22225  
PCDU:C:IMC4510-6010

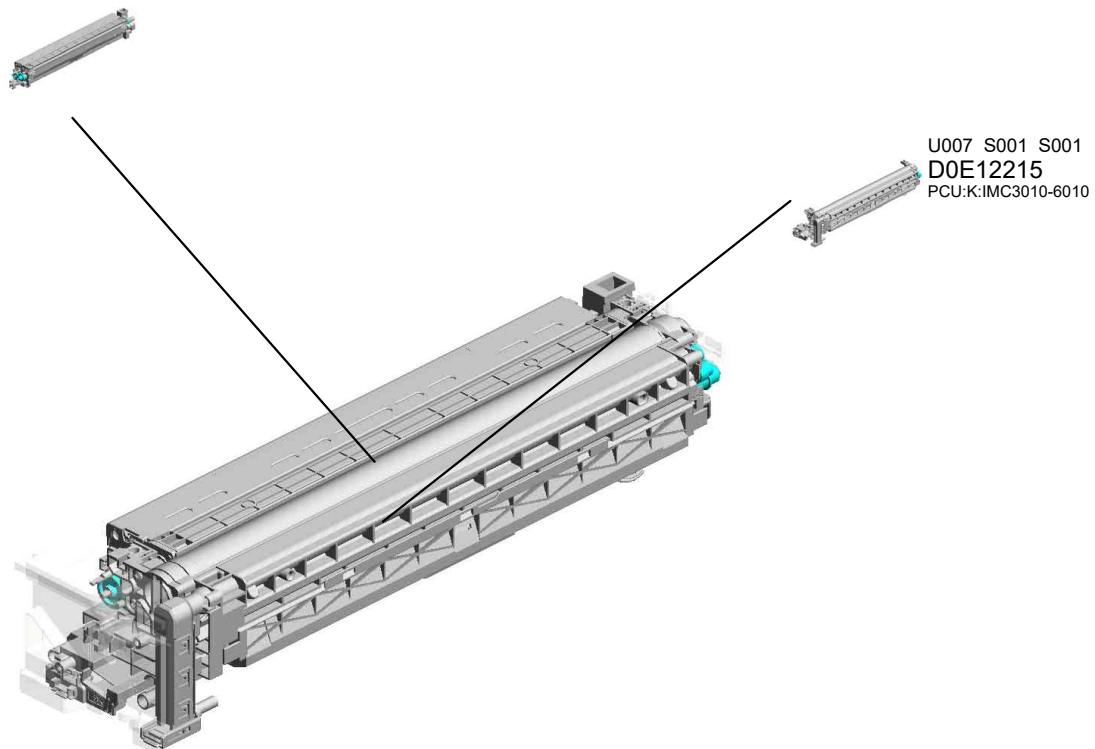


U001	U002	U003	U004	U005	U006	U007	U008	U009	U010	U011	U012	U013	U014	U015	U016	U017	U018	U019
------	------	------	------	------	------	------	------	------	------	------	------	------	------	------	------	------	------	------



# U007\_S001.PCDU:K:IMC3010-6010

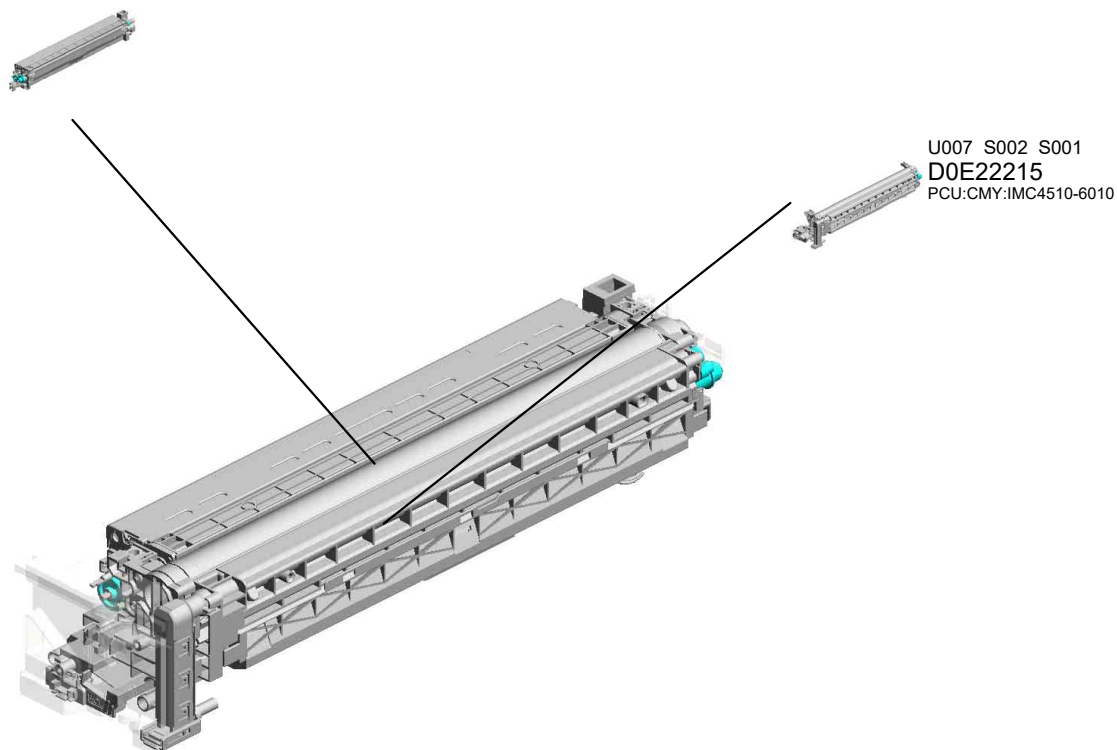
U007 S001 S002  
D0E33000  
DEVELOPMENT UNIT:K:IMC3  
010-6010



U001	U002	U003	U004	U005	U006	U007	U008	U009	U010	U011	U012	U013	U014	U015	U016	U017	U018	U019
------	------	------	------	------	------	------	------	------	------	------	------	------	------	------	------	------	------	------

# U007\_S002.PCDU:C:IMC4510-6010

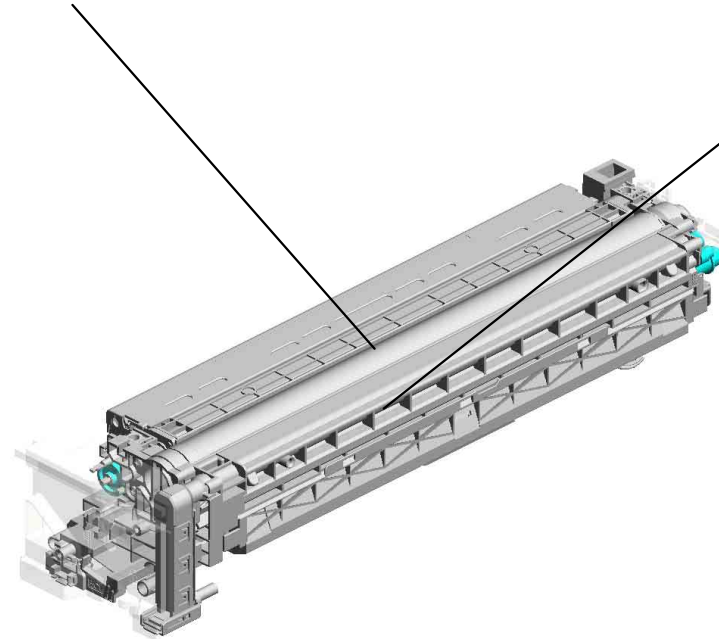
U007 S002 S002  
D0E33001  
DEVELOPMENT UNIT:C:IMC4  
510-6010



U001	U002	U003	U004	U005	U006	U007	U008	U009	U010	U011	U012	U013	U014	U015	U016	U017	U018	U019
------	------	------	------	------	------	------	------	------	------	------	------	------	------	------	------	------	------	------

# U007\_S003.PCDU:M:IMC4510-6010

U007 S003 S002  
D0E33002  
DEVELOPMENT UNIT:M:IMC  
4510-6010



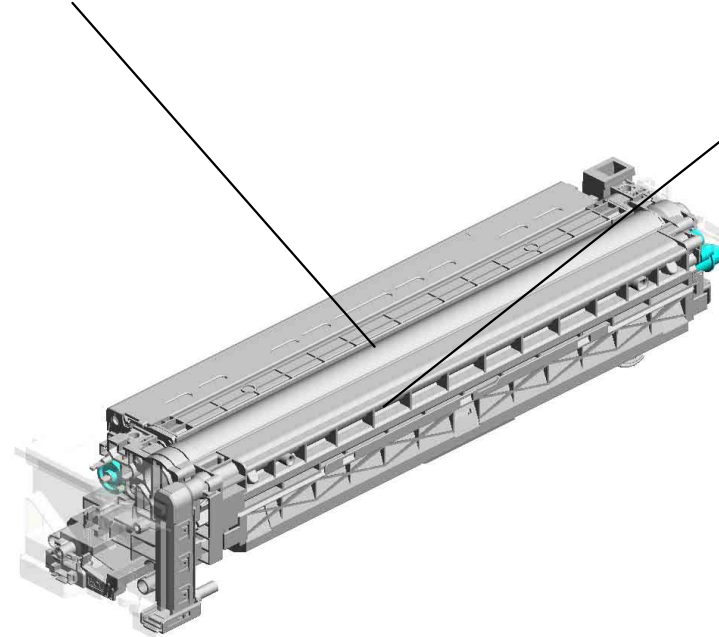
U007 S003 S001  
D0E22215  
PCU:CMY:IMC4510-6010



U001	U002	U003	U004	U005	U006	U007	U008	U009	U010	U011	U012	U013	U014	U015	U016	U017	U018	U019
------	------	------	------	------	------	------	------	------	------	------	------	------	------	------	------	------	------	------

# U007\_S004.PCDU:Y:IMC4510-6010

U007 S004 S002  
D0E33003  
DEVELOPMENT UNIT:Y:IMC4  
510-6010

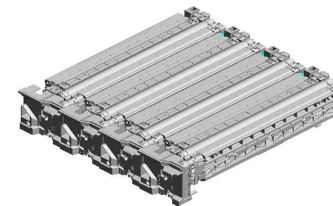


U007 S004 S001  
D0E22215  
PCU:CMY:IMC4510-6010



U001	U002	U003	U004	U005	U006	U007	U008	U009	U010	U011	U012	U013	U014	U015	U016	U017	U018	U019
------	------	------	------	------	------	------	------	------	------	------	------	------	------	------	------	------	------	------

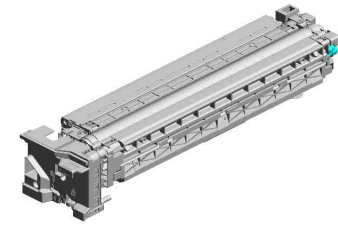
U007  
PCDU



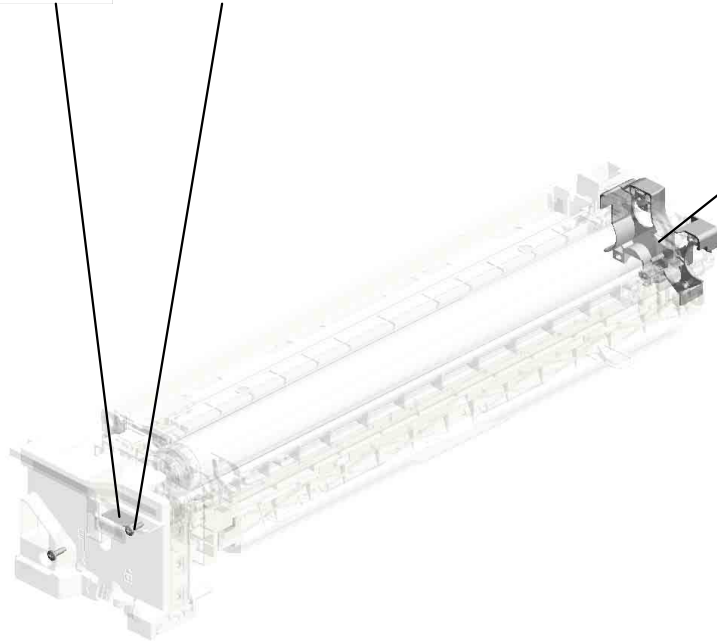
U001	U002	U003	U004	U005	U006	U007	U008	U009	U010	U011	U012	U013	U014	U015	U016	U017	U018	U019
------	------	------	------	------	------	------	------	------	------	------	------	------	------	------	------	------	------	------

U007\_S001  
PCDU:K:IMC3010-6010

21.GA003995 2.04593010N  
DECAL:DESIGN SK (x3)  
ETCH:BLACK BINDING HEAD TA  
PPING SCREW:3X  
10



10.D0E22224  
PCDU:K:IMC3010-6  
010

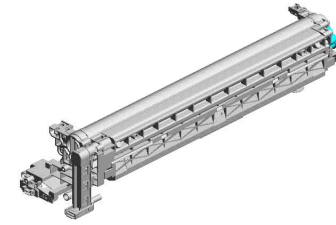


19.D0E33194  
COVER:PCU:REAR  
:ASS'Y

U001	U002	U003	U004	U005	U006	U007	U008	U009	U010	U011	U012	U013	U014	U015	U016	U017	U018	U019
------	------	------	------	------	------	------	------	------	------	------	------	------	------	------	------	------	------	------

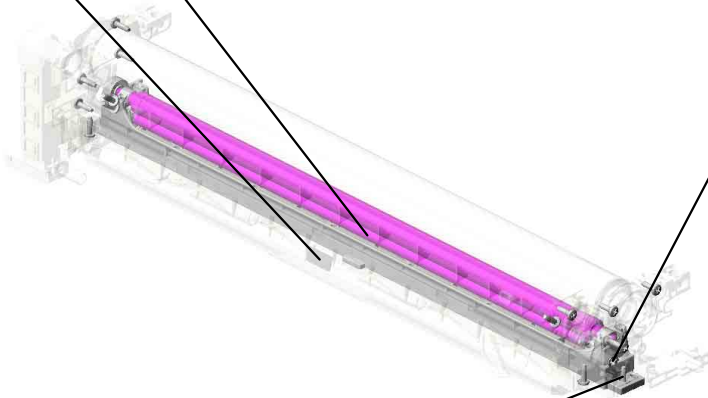
U007\_S001\_S001  
PCU:K:IMC3010-6010

7.D0BQ2071  
CHARGE UNIT:ASSY



8.D0E12215  
PCU:K:IMC3010-6010

20.D1492373  
SEAL:CASE:COATING BAR:TENSION SPRING



3.07200030E  
RETAINING RING - M3



2.04593010N  
(x16)  
BINDING HEAD TAPPING SCREW:3X10

U001	U002	U003	U004	U005	U006	U007	U008	U009	U010	U011	U012	U013	U014	U015	U016	U017	U018	U019
------	------	------	------	------	------	------	------	------	------	------	------	------	------	------	------	------	------	------

U007\_S001\_S002

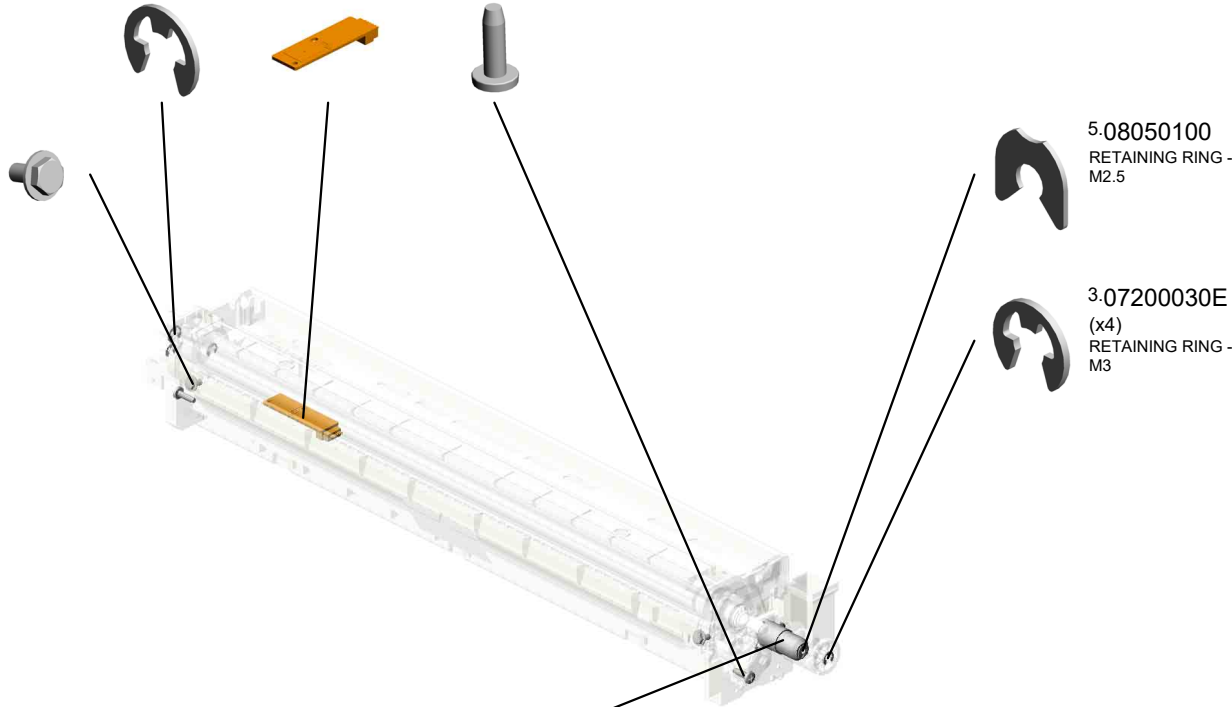
DEVELOPMENT UNIT:K:IMC3010-6010

4.07200040E RETAINING RING - M4  
6.AW230113 PCB:MYU:SENSOR  
2.04593010N (x3) BINDING HEAD TAPPING SCREW:3X10



14.D0E33000  
DEVELOPMENT UNIT:K:IMC3010-6010

1.03603006N (x2) SCREW - M3X6



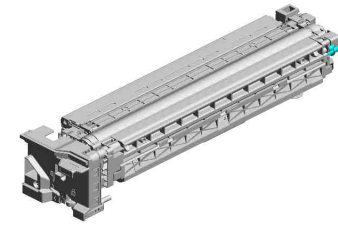
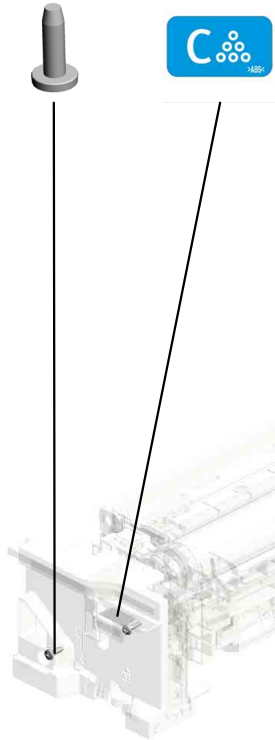
18.D0E33143  
JOINT:DEVELOPMENT

U001	U002	U003	U004	U005	U006	U007	U008	U009	U010	U011	U012	U013	U014	U015	U016	U017	U018	U019
------	------	------	------	------	------	------	------	------	------	------	------	------	------	------	------	------	------	------



U007\_S002  
PCDU:C:IMC4510-6010

2.04593010N 22.GA003996  
(x3) DECAL:DESIGN SK  
BINDING HEAD TA ETCH:CYAN  
PPING SCREW:3X  
10



11.D0E22225  
PCDU:C:IMC4510-6  
010

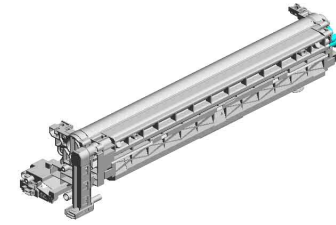


19.D0E33194  
COVER:PCU:REAR  
:ASS'Y

U001	U002	U003	U004	U005	U006	U007	U008	U009	U010	U011	U012	U013	U014	U015	U016	U017	U018	U019
------	------	------	------	------	------	------	------	------	------	------	------	------	------	------	------	------	------	------

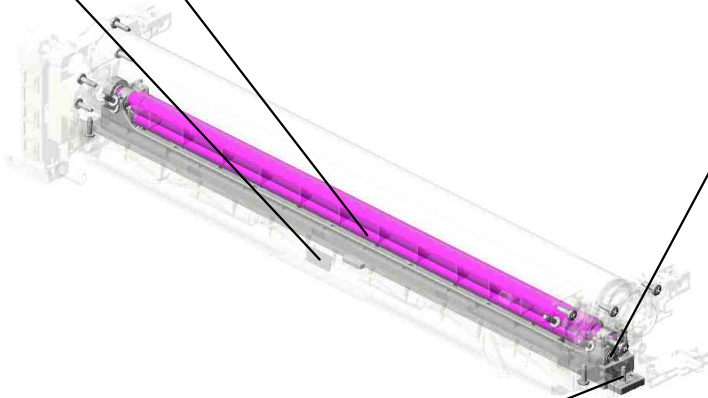
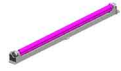
U007\_S002\_S001  
PCU:CMY:IMC4510-6010

7.D0BQ2071  
CHARGE UNIT:ASSY



9.D0E22215  
PCU:CMY:IMC4510-6010

20.D1492373  
SEAL:CASE:COATING BAR:TENSION SPRING



3.07200030E  
RETAINING RING - M3



2.04593010N  
(x16)  
BINDING HEAD TAPPING SCREW:3X10

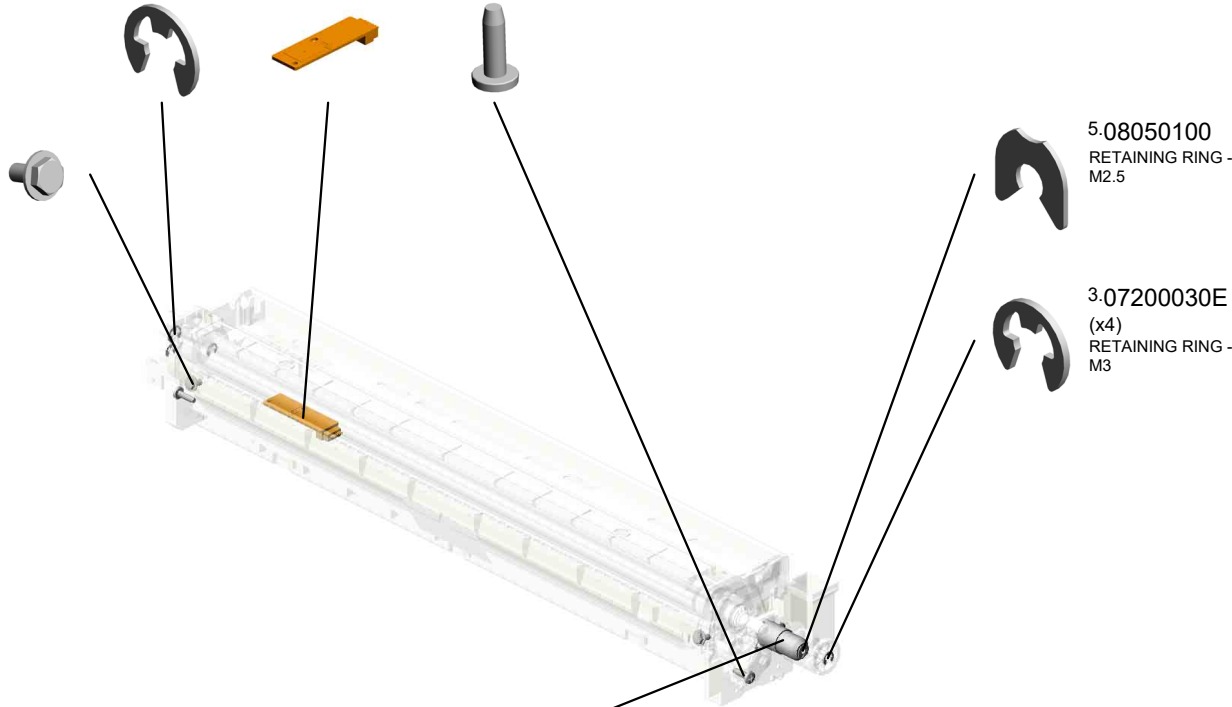
U001	U002	U003	U004	U005	U006	U007	U008	U009	U010	U011	U012	U013	U014	U015	U016	U017	U018	U019
------	------	------	------	------	------	------	------	------	------	------	------	------	------	------	------	------	------	------

4.07200040E RETAINING RING - M4  
6.AW230113 PCB:MYU:SENSOR  
2.04593010N (x3) BINDING HEAD TAPPING SCREW:3X10



15.D0E33001  
DEVELOPMENT UNIT:  
C:IMC4510-6010

1.03603006N  
(x2)  
SCREW - M3X6



5.08050100  
RETAINING RING - M2.5

3.07200030E  
(x4)  
RETAINING RING - M3

18.D0E33143  
JOINT:DEVELOPMENT

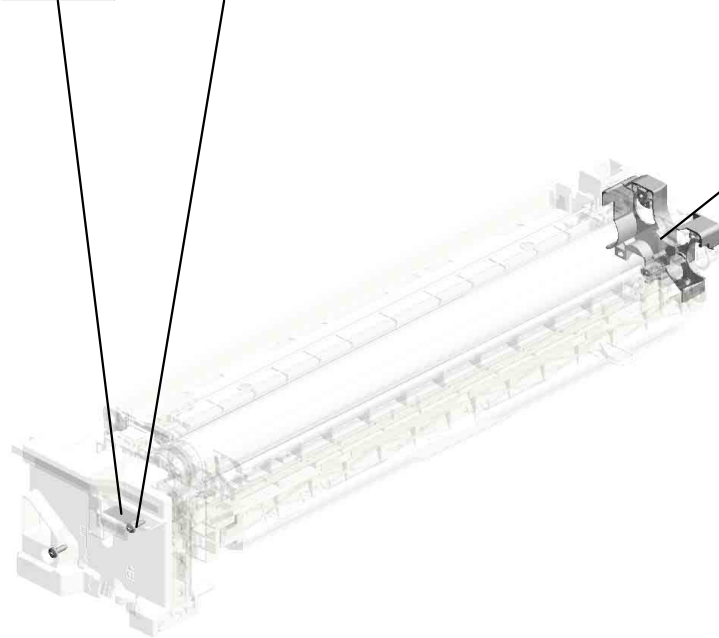
U001	U002	U003	U004	U005	U006	U007	U008	U009	U010	U011	U012	U013	U014	U015	U016	U017	U018	U019
------	------	------	------	------	------	------	------	------	------	------	------	------	------	------	------	------	------	------

U007\_S003  
PCDU:M:IMC4510-6010

23.GA003997 2.04593010N  
DECAL:DESIGN SK (x3)  
ETCH:MAGENTA BINDING HEAD TA  
PPING SCREW:3X  
10



12.D0E22226  
PCDU:M:IMC4510-6  
010

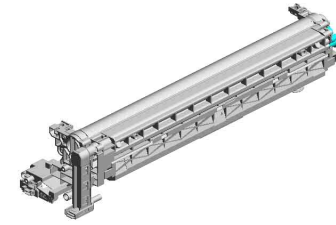


19.D0E33194  
COVER:PCU:REAR  
:ASS'Y

U001	U002	U003	U004	U005	U006	U007	U008	U009	U010	U011	U012	U013	U014	U015	U016	U017	U018	U019
------	------	------	------	------	------	------	------	------	------	------	------	------	------	------	------	------	------	------

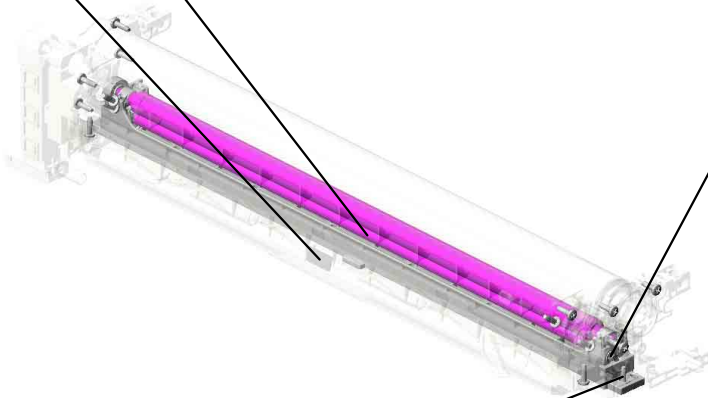
U007\_S003\_S001  
PCU:CMY:IMC4510-6010

7.D0BQ2071  
CHARGE UNIT:ASSY



9.D0E22215  
PCU:CMY:IMC4510-6010

20.D1492373  
SEAL:CASE:COATING BAR:TENSION SPRING



3.07200030E  
RETAINING RING - M3



2.04593010N  
(x16)  
BINDING HEAD TAPPING SCREW:3X10

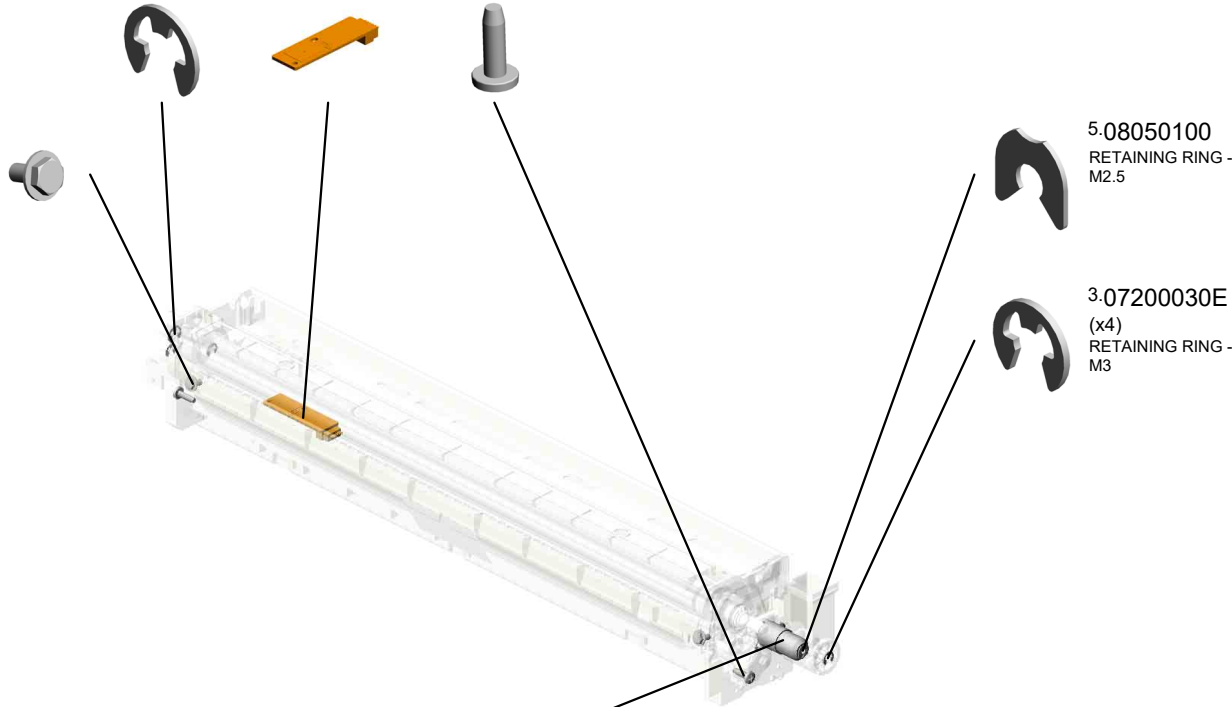
U001	U002	U003	U004	U005	U006	U007	U008	U009	U010	U011	U012	U013	U014	U015	U016	U017	U018	U019
------	------	------	------	------	------	------	------	------	------	------	------	------	------	------	------	------	------	------

4.07200040E RETAINING RING - M4  
6.AW230113 PCB:MYU:SENSOR  
2.04593010N (x3) BINDING HEAD TAPPING SCREW:3X10



16.D0E33002  
DEVELOPMENT UNIT:M:IMC4510-6010

1.03603006N (x2) SCREW - M3X6



5.08050100 RETAINING RING - M2.5

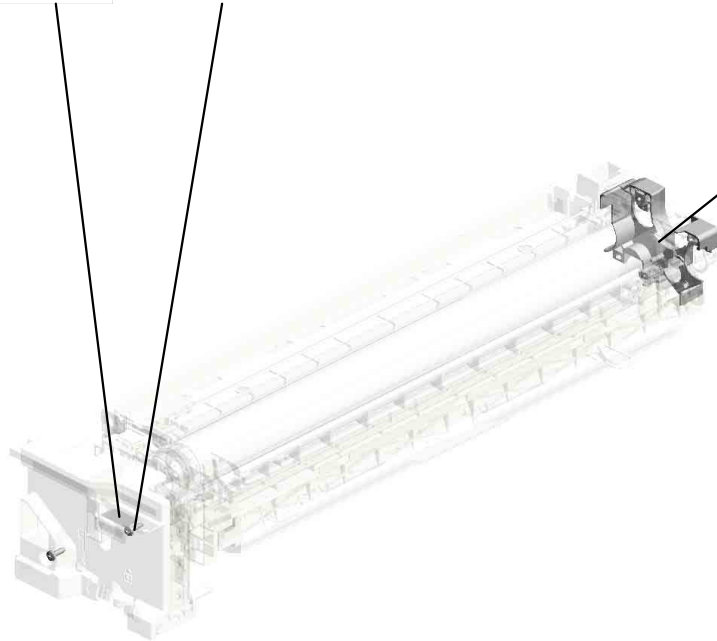
3.07200030E (x4) RETAINING RING - M3

18.D0E33143 JOINT:DEVELOPMENT

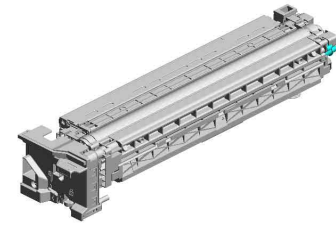
U001	U002	U003	U004	U005	U006	U007	U008	U009	U010	U011	U012	U013	U014	U015	U016	U017	U018	U019
------	------	------	------	------	------	------	------	------	------	------	------	------	------	------	------	------	------	------

U007\_S004  
PCDU:Y:IMC4510-6010

24.GA003998 2.04593010N  
DECAL:DESIGN SK (x3)  
ETCH:YELLOW BINDING HEAD TA  
PPING SCREW:3X  
10



19.D0E33194  
COVER:PCU:REAR  
:ASS'Y

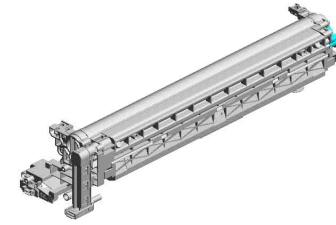


13.D0E22227  
PCDU:Y:IMC4510-6  
010

U001	U002	U003	U004	U005	U006	U007	U008	U009	U010	U011	U012	U013	U014	U015	U016	U017	U018	U019
------	------	------	------	------	------	------	------	------	------	------	------	------	------	------	------	------	------	------

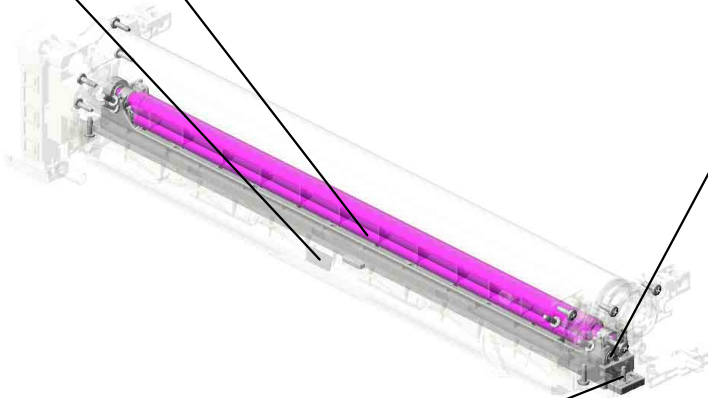
U007\_S004\_S001  
PCU:CMY:IMC4510-6010

7.D0BQ2071  
CHARGE UNIT:ASSY



9.D0E22215  
PCU:CMY:IMC4510-6010

20.D1492373  
SEAL:CASE:COATING BAR:TENSION SPRING



3.07200030E  
RETAINING RING - M3



2.04593010N  
(x16)  
BINDING HEAD TAPPING SCREW:3X10

U001	U002	U003	U004	U005	U006	U007	U008	U009	U010	U011	U012	U013	U014	U015	U016	U017	U018	U019
------	------	------	------	------	------	------	------	------	------	------	------	------	------	------	------	------	------	------

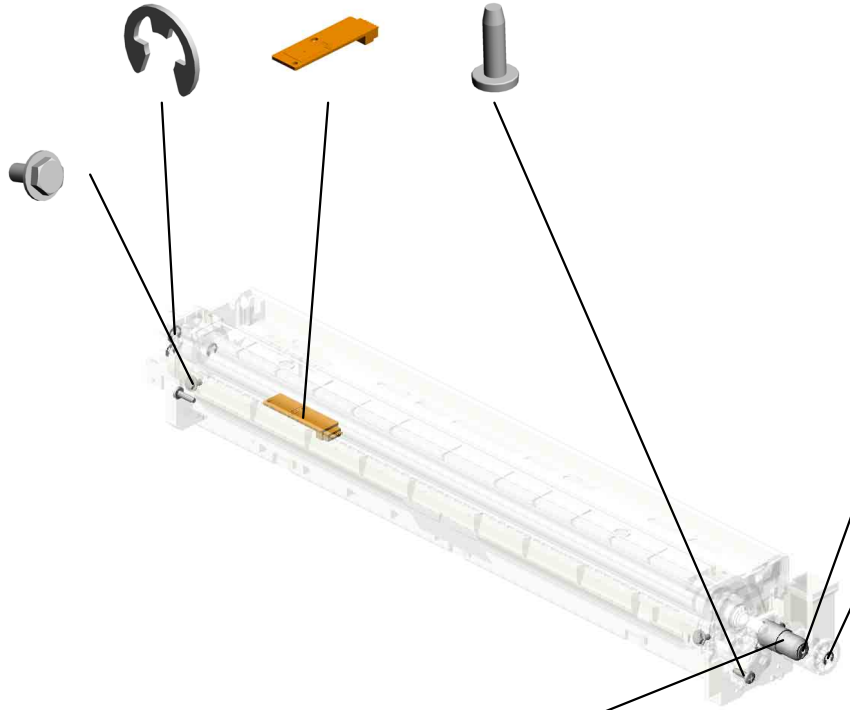


4.07200040E RETAINING RING - M4  
 6.AW230113 PCB:MYU:SENSOR  
 : (S37/S38/S39/S40)  
 2.04593010N (x3)  
 BINDING HEAD TAPPING SCREW:3X10



17.D0E33003  
 DEVELOPMENT UNIT:Y:IMC4510-6010

1.03603006N (x2)  
 SCREW - M3X6



5.08050100  
 RETAINING RING - M2.5

3.07200030E (x4)  
 RETAINING RING - M3

18.D0E33143  
 JOINT:DEVELOPMENT

U001	U002	U003	U004	U005	U006	U007	U008	U009	U010	U011	U012	U013	U014	U015	U016	U017	U018	U019
------	------	------	------	------	------	------	------	------	------	------	------	------	------	------	------	------	------	------

# U008.DEVELOPMENT

U008 S005  
D0E33381  
TRANSPORT SCREW:NOZZL  
E:BK:ASS'Y

U008 S011  
D0E33310  
DRIVE UNIT:TONER BOTTLE  
:ASS'Y

U008 S006  
D0E33382  
TRANSPORT SCREW:NOZZL  
E:CMY:ASS'Y

U008 S010  
D0E33310  
DRIVE UNIT:TONER BOTTLE  
:ASS'Y

U008 S007  
D0E33382  
TRANSPORT SCREW:NOZZL  
E:CMY:ASS'Y

U008 S001  
D0E33340  
TONER HOPPER:TONER SU  
PPLY:K:ASS'Y

U008 S012  
D0E33310  
DRIVE UNIT:TONER BOTTLE  
:ASS'Y

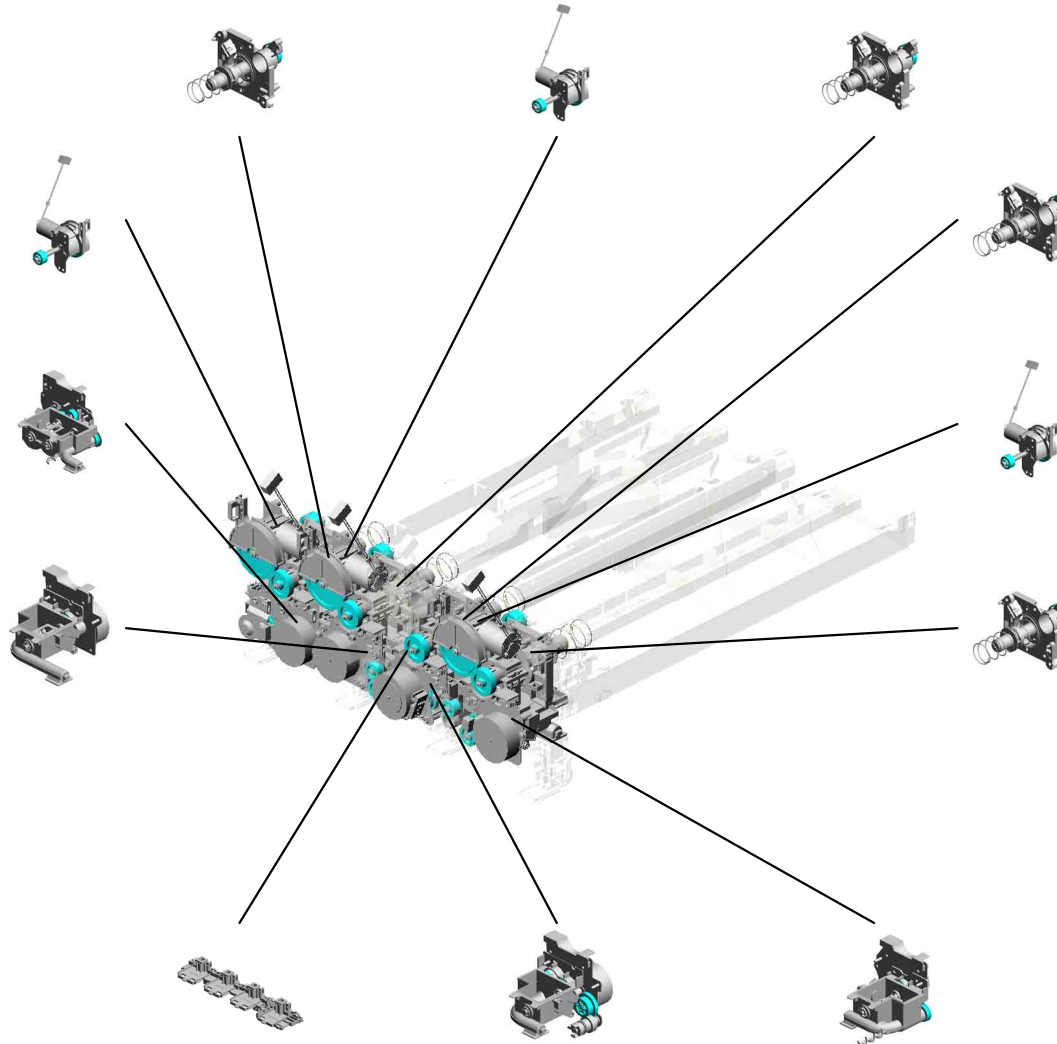
U008 S002  
D0E33350  
TONER HOPPER:TONER SU  
PPLY:C:ASS'Y

U008 S008  
D0E33382  
TRANSPORT SCREW:NOZZL  
E:CMY:ASS'Y

U008 S009  
D0E33388  
BASE:TONER HOPPER:REA  
R:ASS'Y

U008 S003  
D0E33360  
TONER HOPPER:TONER SU  
PPLY:M:ASS'Y

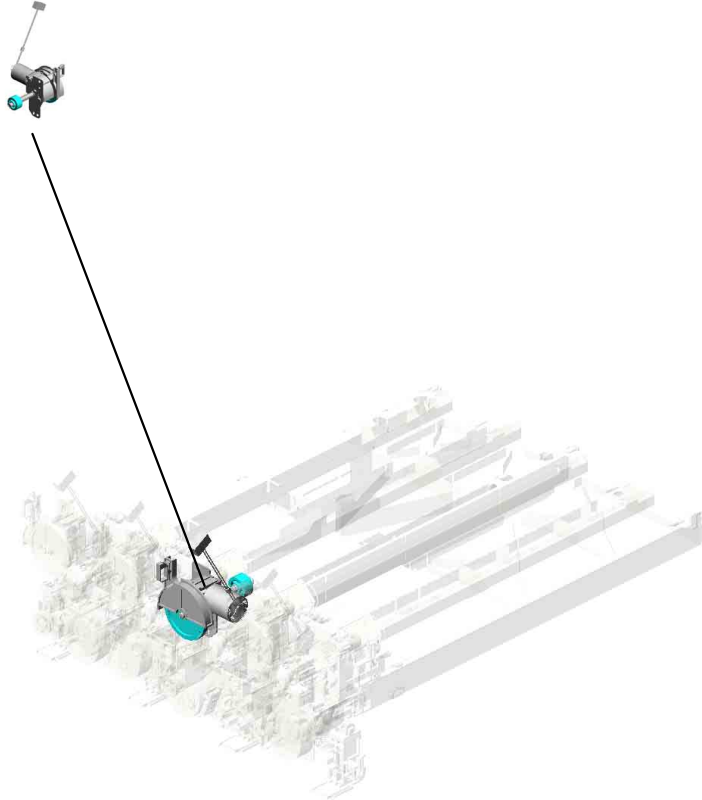
U008 S004  
D0E33370  
TONER HOPPER:TONER SU  
PPLY:Y:ASS'Y



U001	U002	U003	U004	U005	U006	U007	U008	U009	U010	U011	U012	U013	U014	U015	U016	U017	U018	U019
------	------	------	------	------	------	------	------	------	------	------	------	------	------	------	------	------	------	------

# U008.DEVELOPMENT

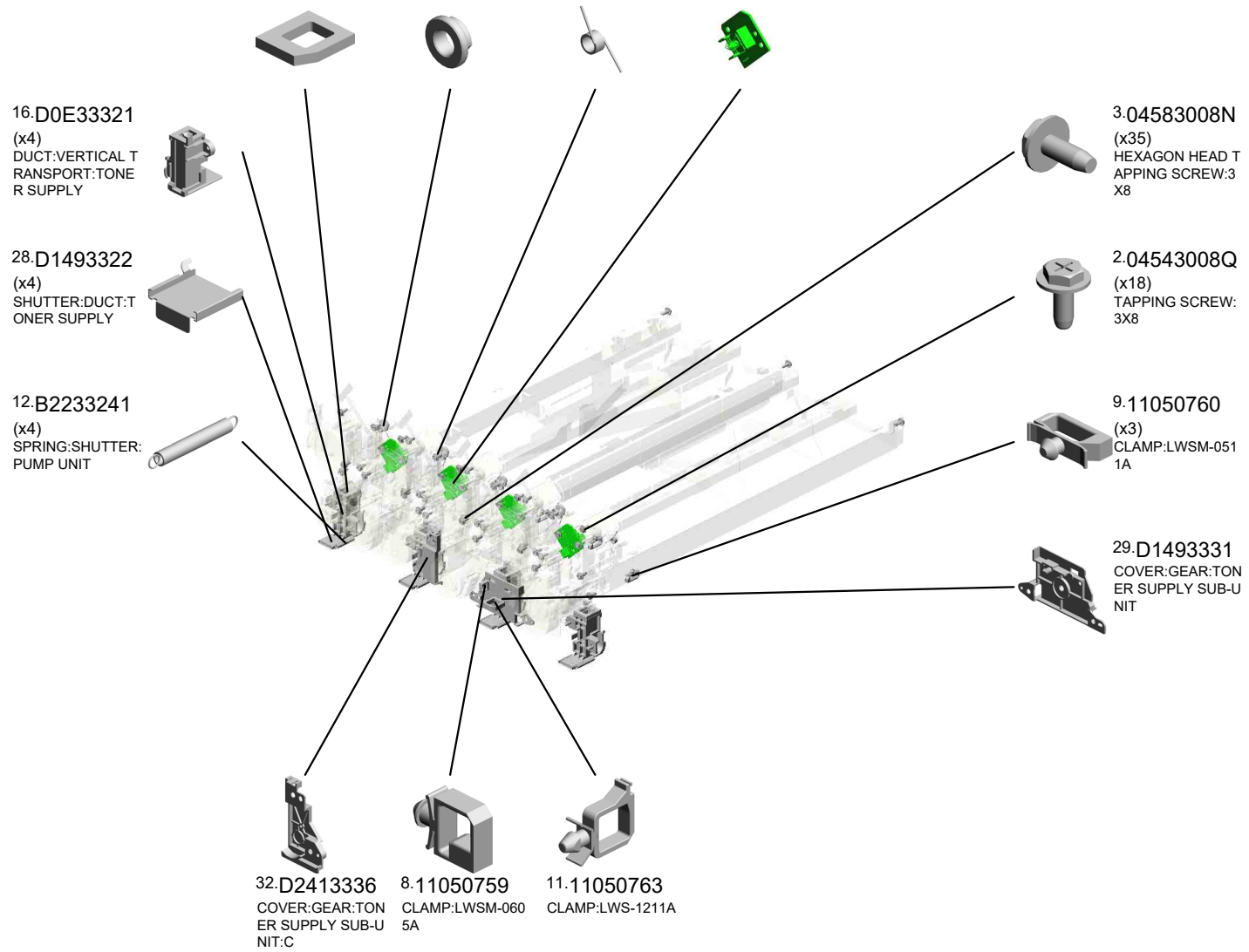
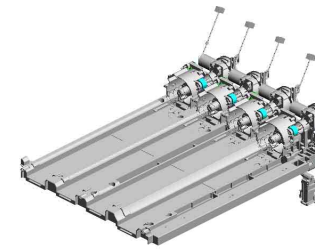
U008 S013  
D0E33310  
DRIVE UNIT:TONER BOTTLE  
:ASSY



U001	U002	U003	U004	U005	U006	U007	<b>U008</b>	U009	U010	U011	U012	U013	U014	U015	U016	U017	U018	U019
------	------	------	------	------	------	------	-------------	------	------	------	------	------	------	------	------	------	------	------

# U008 DEVELOPMENT

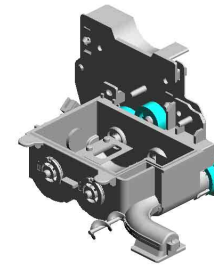
- 17.D0E33322 (x4) SEAL:DUCT:TONE R SUPPLY
- 30.D1493343 (x4) COLLAR:TONER SUPPLY
- 26.D1473325 (x8) TORSION SPRING: STOPPER:TONER CARTRIDGE:4.8N
- 34.D0BQ5172 (x4) (CHN):PCB:TCB:(P CB3/PCB4/PCB5/P CB6)



U001	U002	U003	U004	U005	U006	U007	U008	U009	U010	U011	U012	U013	U014	U015	U016	U017	U018	U019
------	------	------	------	------	------	------	------	------	------	------	------	------	------	------	------	------	------	------

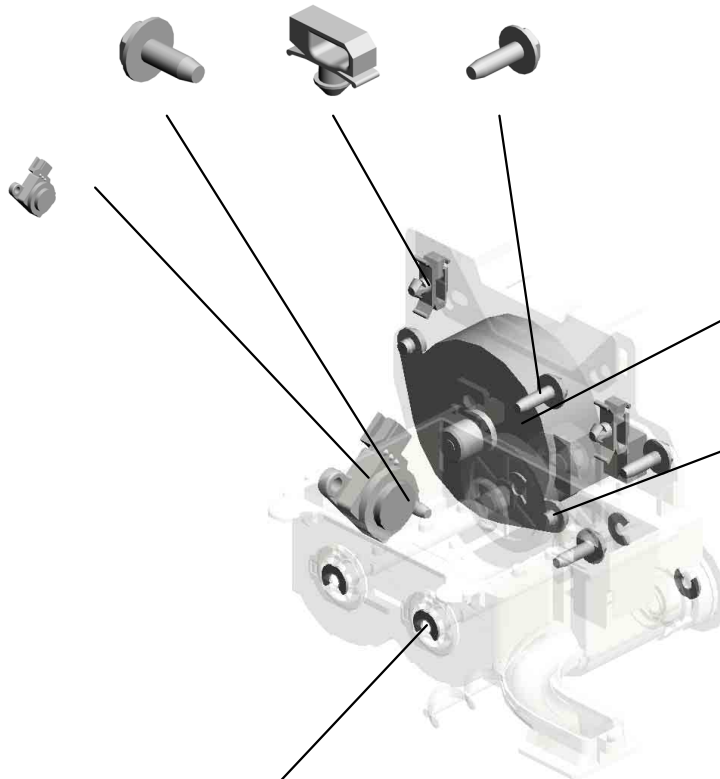
U008\_S001  
 TONER HOPPER:TONER SUPPLY:K:ASS'Y

3.04583008N 7.11050758 4.04583010N  
 HEXAGON HEAD TAPPING SCREW:3 X8 (x2) CLAMP:LWSM-030 6A (x3) HEXAGON HEAD TAPPING SCREW:3 X10



18.D0E33340  
 TONER HOPPER:TONER SUPPLY:K:ASS'Y

33.GW230008  
 TONER END SENSOR: (S28/S29/S30/S31)



31.D1493350  
 DC STEPPER MOTOR:TONER SUPPLY:(M19/M20/M22)

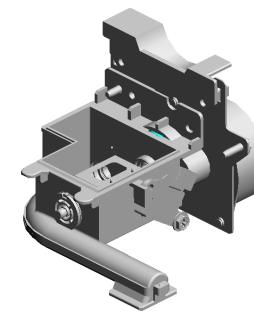
1.03530030N  
 (x2) SCREW:M3X3

6.08050103  
 (x5) RETAINING RINGS -E:SILENCER:DIA3

U001	U002	U003	U004	U005	U006	U007	U008	U009	U010	U011	U012	U013	U014	U015	U016	U017	U018	U019
------	------	------	------	------	------	------	------	------	------	------	------	------	------	------	------	------	------	------

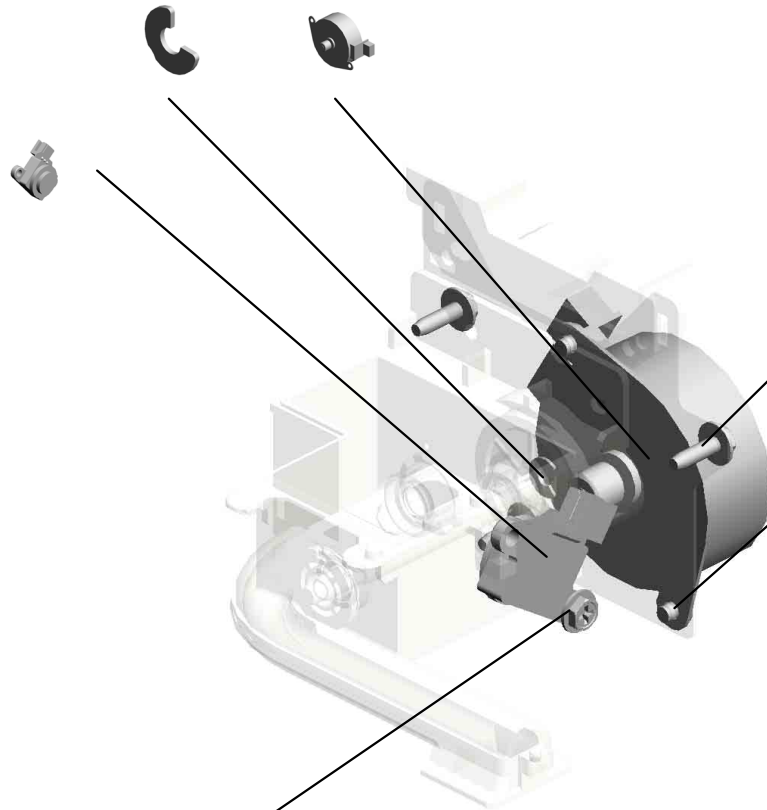
U008\_S002  
 TONER HOPPER:TONER SUPPLY:C:ASS'Y

6.08050103 31.D1493350  
 RETAINING RINGS DC STEPPER MOT  
 -E:SILENCER:DIA3 OR:TONER SUPPL  
 Y:(M19/M20/M22)



19.D0E33350  
 TONER HOPPER:T  
 ONER SUPPLY:C:A  
 SS'Y

33.GW230008  
 TONER END SENS  
 OR:(S28/S29/S30/S  
 31)



4.04583010N  
 (x3)  
 HEXAGON HEAD T  
 APPING SCREW:3  
 X10

6.08050103  
 (x2)  
 RETAINING RINGS  
 -E:SILENCER:DIA3

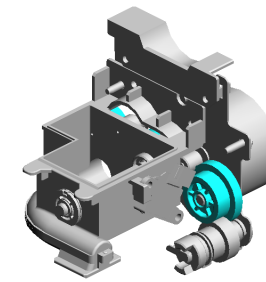
1.03530030N  
 (x2)  
 SCREW:M3X3

3.04583008N  
 HEXAGON HEAD T  
 APPING SCREW:3  
 X8

U001	U002	U003	U004	U005	U006	U007	U008	U009	U010	U011	U012	U013	U014	U015	U016	U017	U018	U019
------	------	------	------	------	------	------	------	------	------	------	------	------	------	------	------	------	------	------

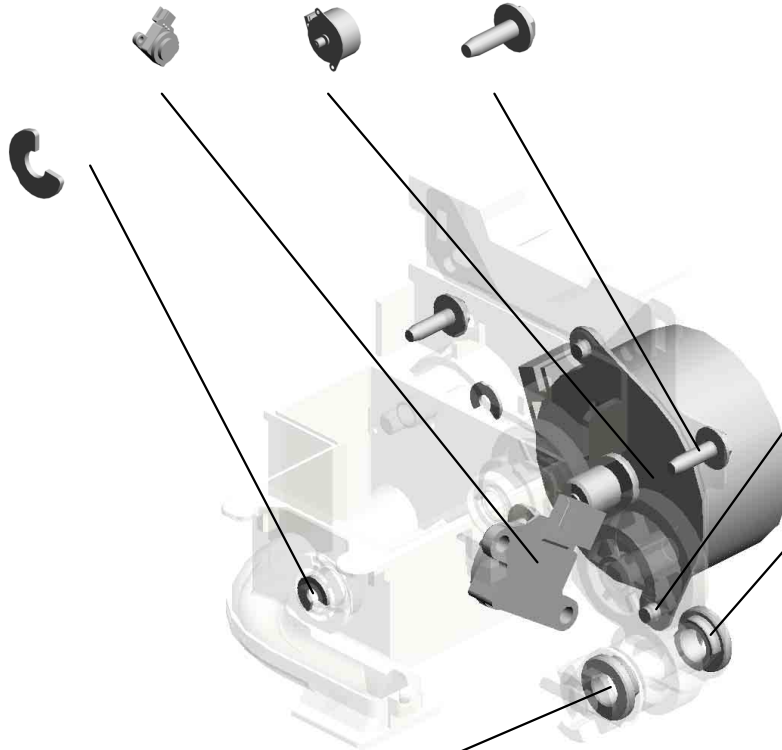
U008\_S003  
 TONER HOPPER:TONER SUPPLY:M:ASS'Y

33.GW230008 TONER END SENS  
 OR:(S28/S29/S30/S31)  
 21.D0E33366 DC STEPPER MOT  
 OR:TONER SUPPLY:ON-OFF:(M21)  
 4.04583010N (x3)  
 HEXAGON HEAD TAPPING SCREW:3X10



20.D0E33360  
 TONER HOPPER:TONER SUPPLY:M:ASS'Y

6.08050103  
 (x2)  
 RETAINING RINGS  
 -E:SILENCER:DIA3



1.03530030N  
 (x2)  
 SCREW:M3X3



6.08050103  
 (x2)  
 RETAINING RINGS  
 -E:SILENCER:DIA3

5.07200040E  
 RETAINING RING - M4



3.04583008N(x 1)  
 HEXAGON HEAD TAPPING SCREW:3X8

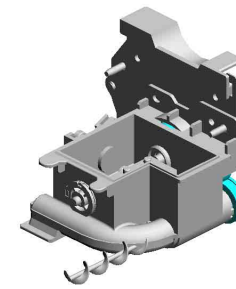
30.D1493343  
 (x2)  
 COLLAR:TONER SUPPLY



U001	U002	U003	U004	U005	U006	U007	U008	U009	U010	U011	U012	U013	U014	U015	U016	U017	U018	U019
------	------	------	------	------	------	------	------	------	------	------	------	------	------	------	------	------	------	------

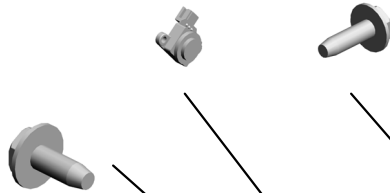
U008\_S004  
 TONER HOPPER:TONER SUPPLY:Y:ASS'Y

33.GW230008 4.04583010N  
 TONER END SENS (x3)  
 OR:(S28/S29/S30/S31)  
 HEXAGON HEAD TAPPING SCREW:3  
 X10



22.D0E33370  
 TONER HOPPER:TONER SUPPLY:Y:ASS'Y

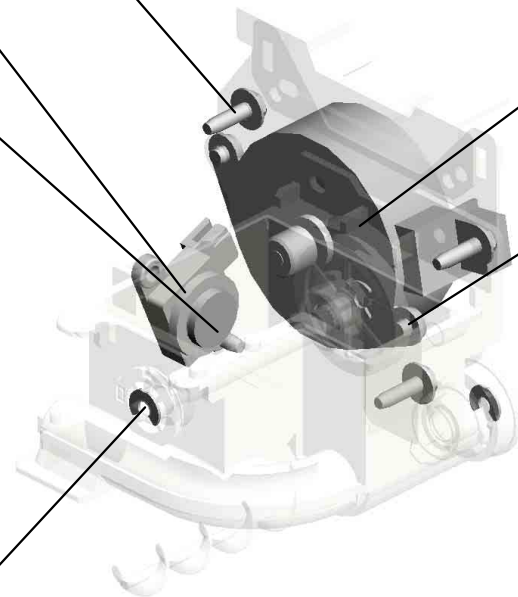
3.04583008N  
 HEXAGON HEAD TAPPING SCREW:3  
 X8



31.D1493350  
 DC STEPPER MOTOR:TONER SUPPLY:(M19/M20/M22)



1.03530030N  
 (x2)  
 SCREW:M3X3



6.08050103  
 (x3)  
 RETAINING RINGS  
 -E:SILENCER:DIA3

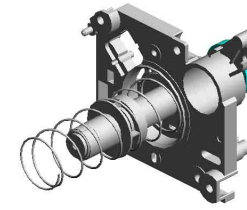


U001	U002	U003	U004	U005	U006	U007	U008	U009	U010	U011	U012	U013	U014	U015	U016	U017	U018	U019
------	------	------	------	------	------	------	------	------	------	------	------	------	------	------	------	------	------	------



U008\_S005  
TRANSPORT SCREW:NOZZLE:BK:ASS'Y

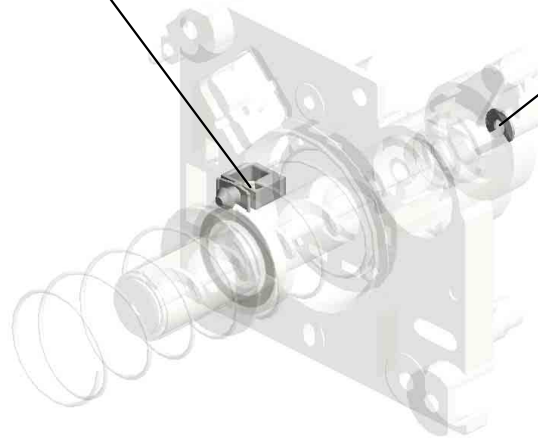
8.11050759  
CLAMP:LWSM-060  
5A



23.D0E33381  
TRANSPORT SCR  
EW:NOZZLE:BK:AS  
SY



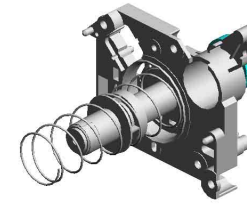
6.08050103  
RETAINING RINGS  
-E:SILENCER:DIA3



U001	U002	U003	U004	U005	U006	U007	<b>U008</b>	U009	U010	U011	U012	U013	U014	U015	U016	U017	U018	U019
------	------	------	------	------	------	------	-------------	------	------	------	------	------	------	------	------	------	------	------

U008\_S006  
TRANSPORT SCREW:NOZZLE:CMY:ASS'Y

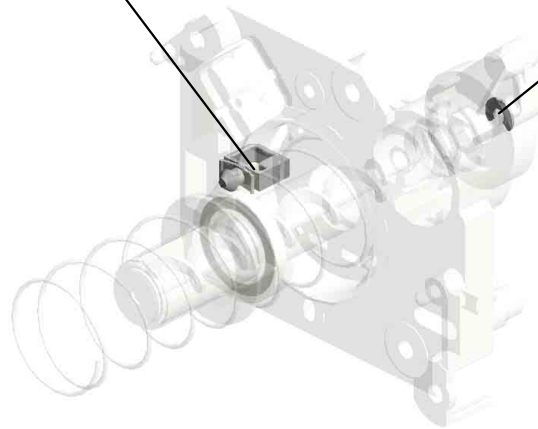
8.11050759  
CLAMP:LWSM-060  
5A



24.D0E33382  
TRANSPORT SCR  
EW:NOZZLE:CMY:  
ASS'Y



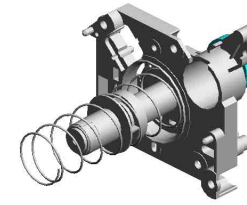
6.08050103  
RETAINING RINGS  
-E:SILENCER:DIA3



U001	U002	U003	U004	U005	U006	U007	<b>U008</b>	U009	U010	U011	U012	U013	U014	U015	U016	U017	U018	U019
------	------	------	------	------	------	------	-------------	------	------	------	------	------	------	------	------	------	------	------

U008\_S007  
TRANSPORT SCREW:NOZZLE:CMY:ASS'Y

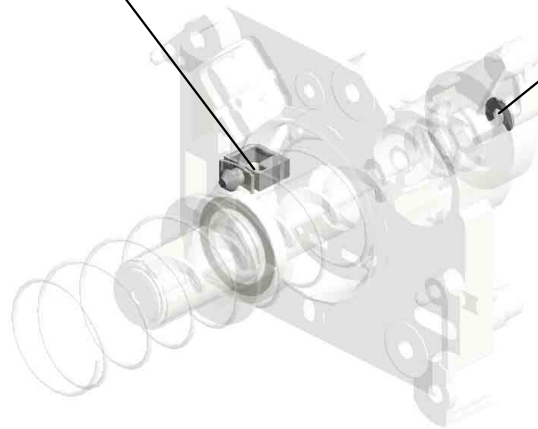
8.11050759  
CLAMP:LWSM-060  
5A



24.D0E33382  
TRANSPORT SCR  
EW:NOZZLE:CMY:  
ASS'Y



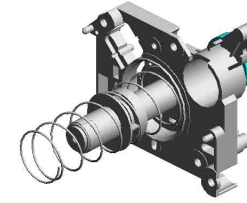
6.08050103  
RETAINING RINGS  
-E:SILENCER:DIA3



U001	U002	U003	U004	U005	U006	U007	<b>U008</b>	U009	U010	U011	U012	U013	U014	U015	U016	U017	U018	U019
------	------	------	------	------	------	------	-------------	------	------	------	------	------	------	------	------	------	------	------

U008\_S008  
TRANSPORT SCREW:NOZZLE:CMY:ASS'Y

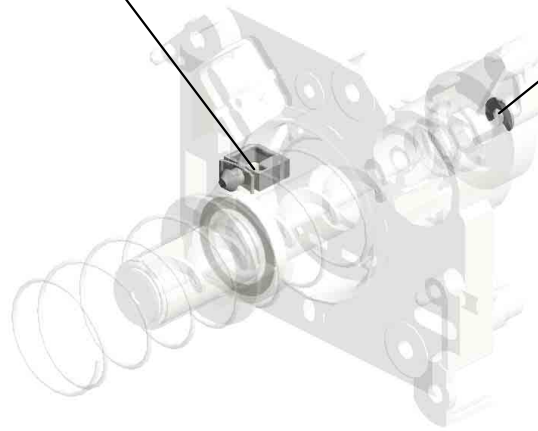
8.11050759  
CLAMP:LWSM-060  
5A



24.D0E33382  
TRANSPORT SCR  
EW:NOZZLE:CMY:  
ASS'Y



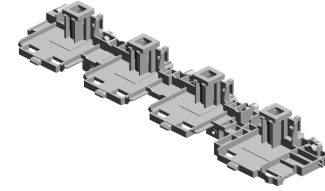
6.08050103  
RETAINING RINGS  
-E:SILENCER:DIA3



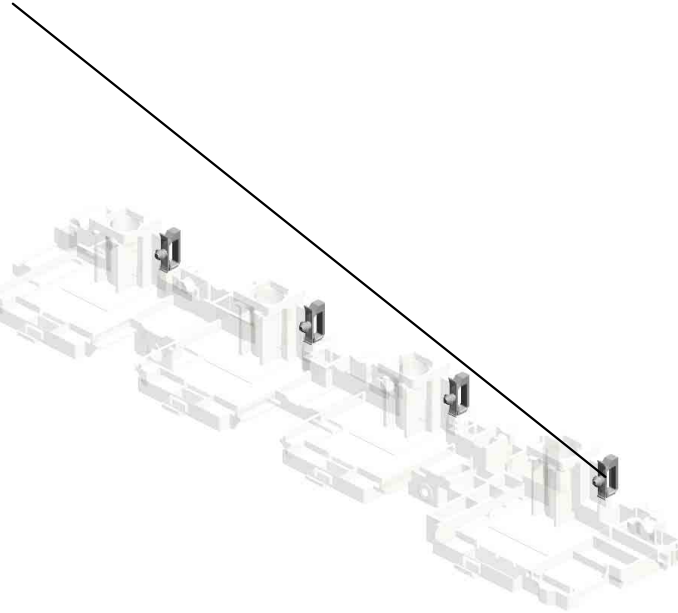
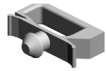
U001	U002	U003	U004	U005	U006	U007	<b>U008</b>	U009	U010	U011	U012	U013	U014	U015	U016	U017	U018	U019
------	------	------	------	------	------	------	-------------	------	------	------	------	------	------	------	------	------	------	------

U008\_S009  
BASE:TONER HOPPER:REAR:ASS'Y

9.11050760  
(x4)  
CLAMP:LWSM-051  
1A



25.D0E33388  
BASE:TONER HOP  
PER:REAR:ASS'Y

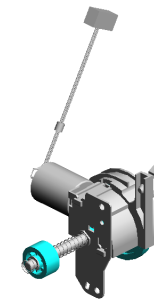


U001	U002	U003	U004	U005	U006	U007	<b>U008</b>	U009	U010	U011	U012	U013	U014	U015	U016	U017	U018	U019
------	------	------	------	------	------	------	-------------	------	------	------	------	------	------	------	------	------	------	------

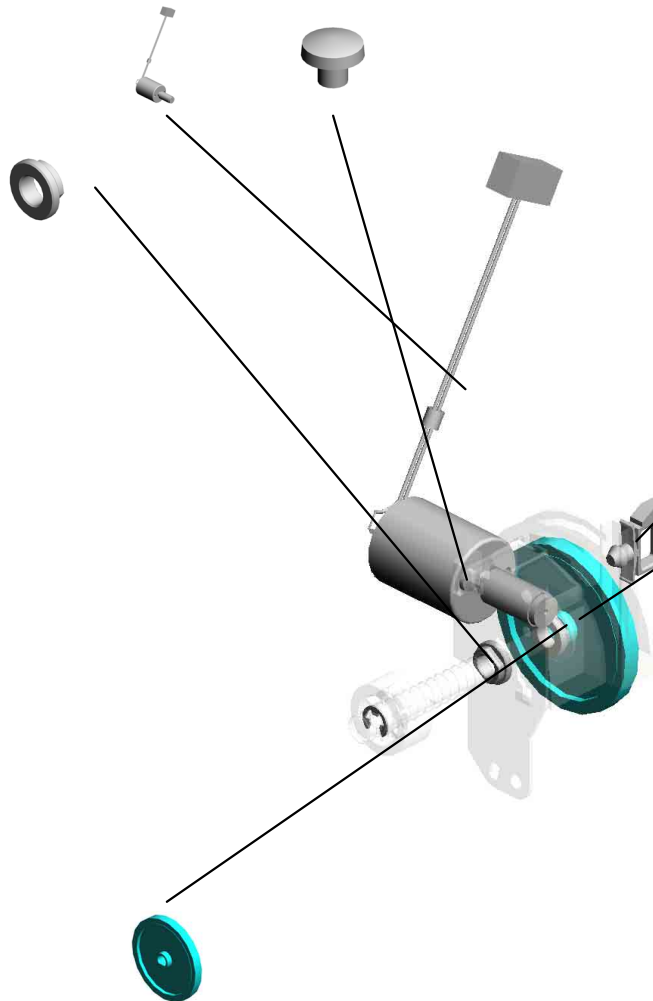
U008\_S010  
 DRIVE UNIT:TONER BOTTLE:ASS'Y

27.D1493210 1.03530030N  
 DC MOTOR: TONE (x2)  
 R BOTTLE: ASS'Y: 5. SCREW: M3X3  
 28W: BRUSH: (M30/  
 M31/M32/M34)

15.D0E33310  
 DRIVE UNIT: TONE  
 R BOTTLE: ASS'Y



30.D1493343  
 (x2)  
 COLLAR: TONER S  
 UPPLY



10.11050762  
 CLAMP: LWS-0711A

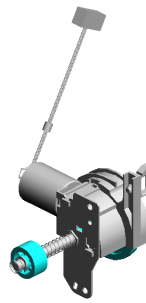
5.07200040E  
 (x2)  
 RETAINING RING -  
 M4

14.D0BQ3316  
 GEAR: IDLER: TRAN  
 SPORT SCREW

U001	U002	U003	U004	U005	U006	U007	U008	U009	U010	U011	U012	U013	U014	U015	U016	U017	U018	U019
------	------	------	------	------	------	------	------	------	------	------	------	------	------	------	------	------	------	------

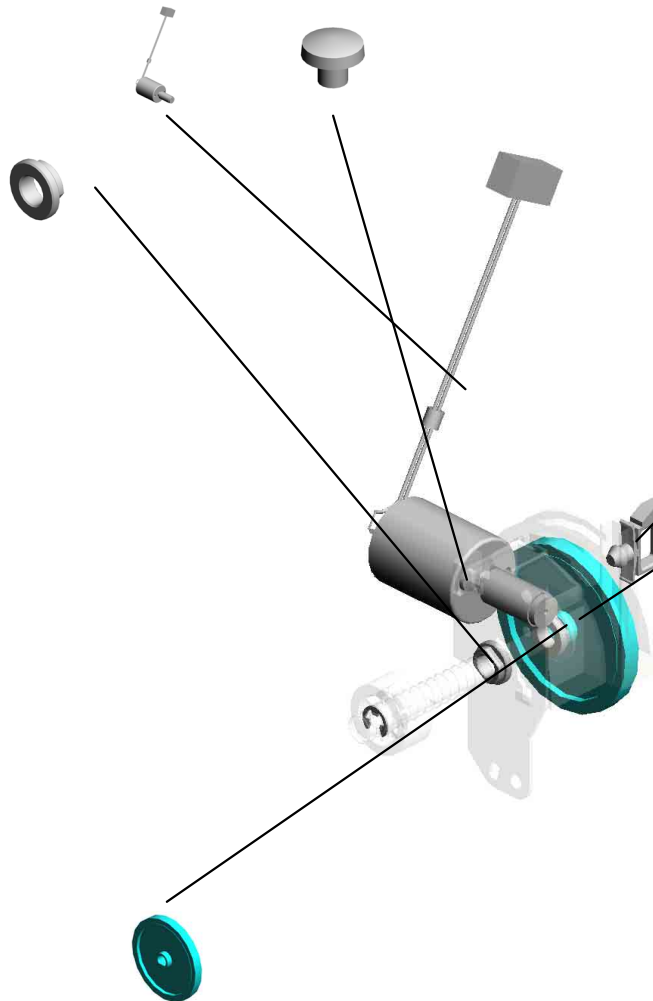
U008\_S011  
 DRIVE UNIT:TONER BOTTLE:ASS'Y

27.D1493210 1.03530030N  
 DC MOTOR: TONE (x2)  
 R BOTTLE: ASS'Y: 5. SCREW: M3X3  
 28W: BRUSH: (M30/  
 M31/M32/M34)



15.D0E33310  
 DRIVE UNIT: TONE  
 R BOTTLE: ASS'Y

30.D1493343  
 (x2)  
 COLLAR: TONER S  
 UPPLY



10.11050762  
 CLAMP: LWS-0711A

5.07200040E  
 (x2)  
 RETAINING RING -  
 M4

14.D0BQ3316  
 GEAR: IDLER: TRAN  
 SPORT SCREW

U001	U002	U003	U004	U005	U006	U007	U008	U009	U010	U011	U012	U013	U014	U015	U016	U017	U018	U019
------	------	------	------	------	------	------	------	------	------	------	------	------	------	------	------	------	------	------

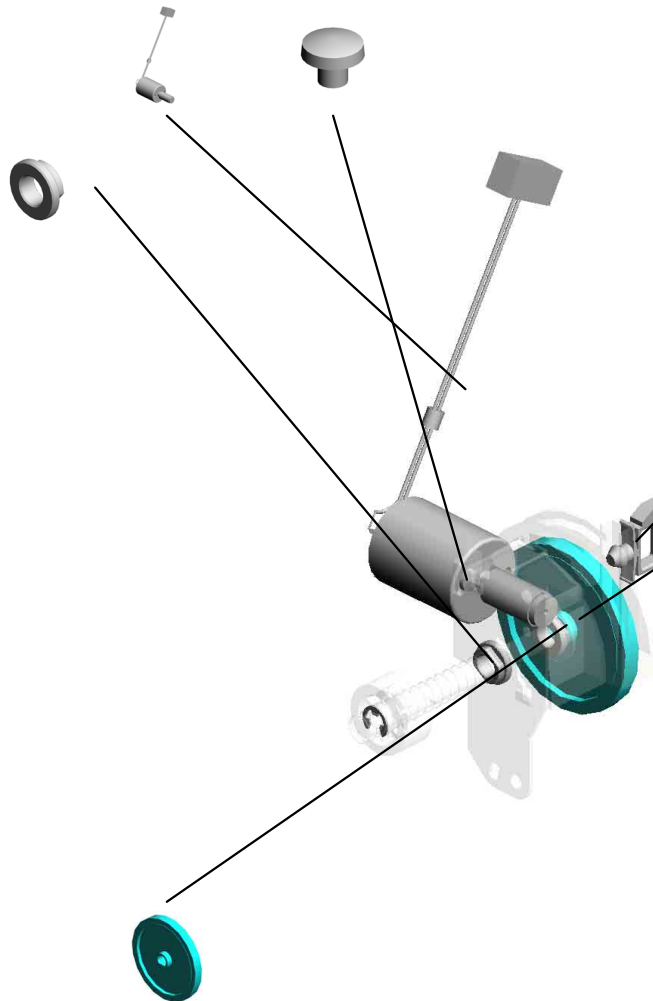
U008\_S012  
 DRIVE UNIT:TONER BOTTLE:ASS'Y

27.D1493210 1.03530030N  
 DC MOTOR: TONE (x2)  
 R BOTTLE: ASS'Y: 5. SCREW: M3X3  
 28W: BRUSH: (M30/  
 M31/M32/M34)



15.D0E33310  
 DRIVE UNIT: TONE  
 R BOTTLE: ASS'Y

30.D1493343  
 (x2)  
 COLLAR: TONER S  
 UPPLY



10.11050762  
 CLAMP: LWS-0711A

5.07200040E  
 (x2)  
 RETAINING RING -  
 M4

14.D0BQ3316  
 GEAR: IDLER: TRAN  
 SPORT SCREW

U001	U002	U003	U004	U005	U006	U007	U008	U009	U010	U011	U012	U013	U014	U015	U016	U017	U018	U019
------	------	------	------	------	------	------	------	------	------	------	------	------	------	------	------	------	------	------



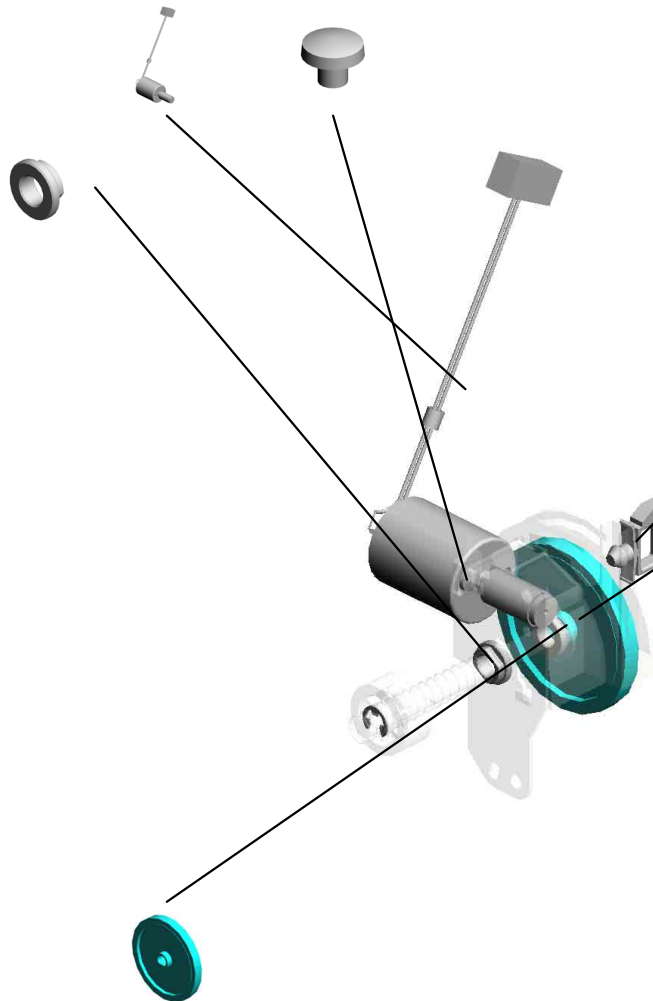
U008\_S013  
 DRIVE UNIT:TONER BOTTLE:ASS'Y

27.D1493210 1.03530030N  
 DC MOTOR: TONE (x2)  
 R BOTTLE: ASS'Y: 5. SCREW: M3X3  
 28W: BRUSH: (M30/  
 M31/M32/M34)



15.D0E33310  
 DRIVE UNIT: TONE  
 R BOTTLE: ASS'Y

30.D1493343  
 (x2)  
 COLLAR: TONER S  
 UPPLY



10.11050762  
 CLAMP: LWS-0711A

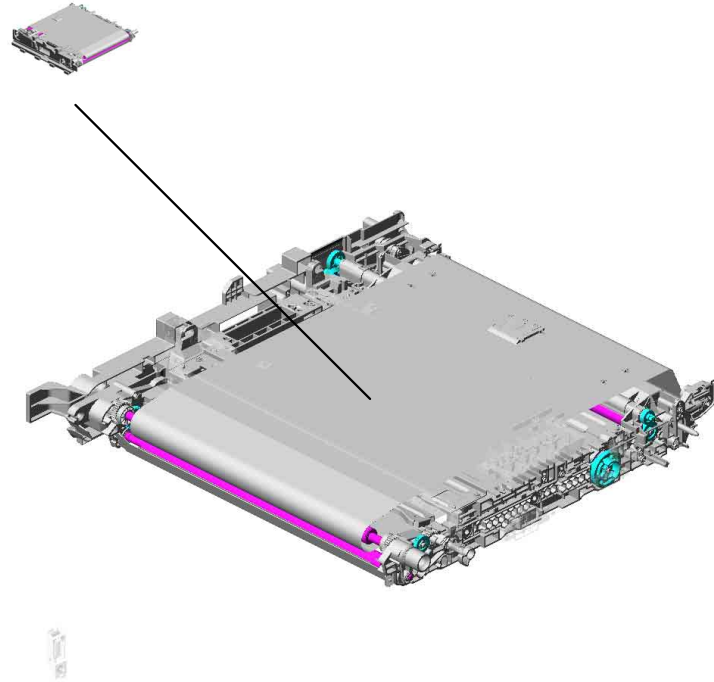
5.07200040E  
 (x2)  
 RETAINING RING -  
 M4

14.D0BQ3316  
 GEAR: IDLER: TRAN  
 SPORT SCREW

U001	U002	U003	U004	U005	U006	U007	U008	U009	U010	U011	U012	U013	U014	U015	U016	U017	U018	U019
------	------	------	------	------	------	------	------	------	------	------	------	------	------	------	------	------	------	------

# U009.ITB UNIT

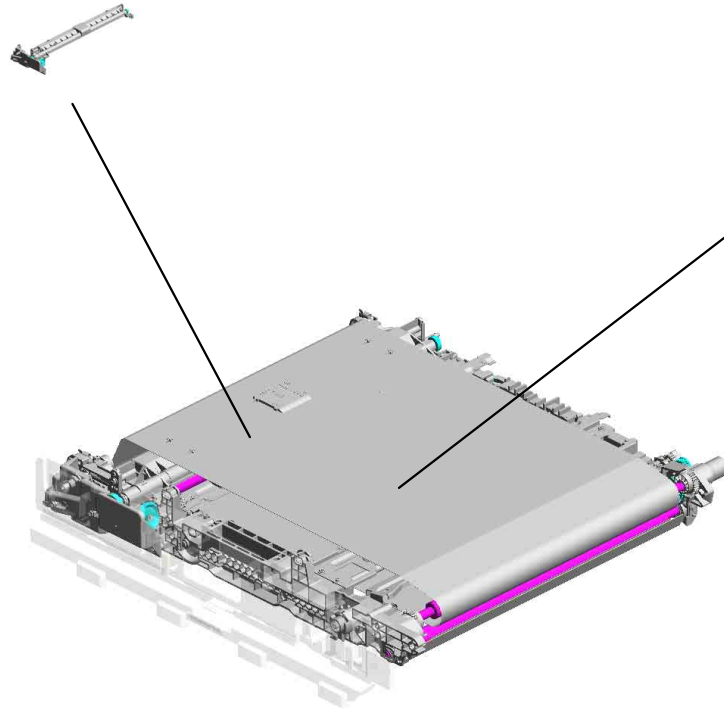
U009 S001  
D0E36005  
TRANSFER UNIT:INTERMEDI  
ATE TRANSFER:IMC2010-60  
10



U001	U002	U003	U004	U005	U006	U007	U008	U009	U010	U011	U012	U013	U014	U015	U016	U017	U018	U019
------	------	------	------	------	------	------	------	------	------	------	------	------	------	------	------	------	------	------

# U009\_S001.TRANSFER UNIT:INTERMEDIATE TRANSFER:IMC2010-6010

U009 S001 S002  
D0E36139  
BELT CLEANING:INTERMEDI  
ATE TRANSFER



U009 S001 S001  
D0E36003  
TRANSFER UNIT:INTERMEDI  
ATE TRANSFER:ASS'Y

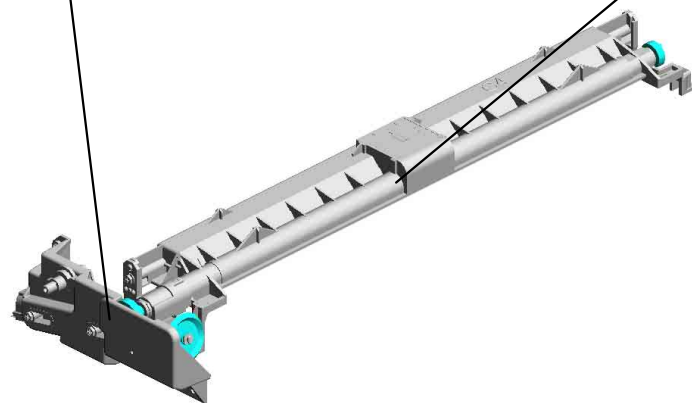
U001	U002	U003	U004	U005	U006	U007	U008	U009	U010	U011	U012	U013	U014	U015	U016	U017	U018	U019
------	------	------	------	------	------	------	------	------	------	------	------	------	------	------	------	------	------	------

# U009\_S001\_S002.BELT CLEANING:INTERMEDIATE TRANSFER

U009 S001 S002 S002  
D0E36180  
TONER OUTLET UNIT:BELT  
CLEANING:ASS'Y

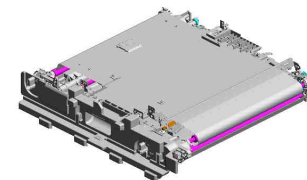


U009 S001 S002 S001  
D0E36141  
CLEANING UNIT:BELT CLEA  
NING:ASS'Y



U001	U002	U003	U004	U005	U006	U007	U008	U009	U010	U011	U012	U013	U014	U015	U016	U017	U018	U019
------	------	------	------	------	------	------	------	------	------	------	------	------	------	------	------	------	------	------

# U009 ITB UNIT



- 23.D0BQ6338 BRACKET:TM SENSOR (x5)
- 10.11050758 CLAMP:LWSM-030 6A (x5)
- 48.D1496320 TERMINAL:BIAS:INTERMEDIATE TRANSFER:MAIN (x5)
- 49.D1496321 HOLDER:TERMINAL:INTERMEDIATE TRANSFER:MAIN (x9)
- 4.04583008N HEXAGON HEAD TAPPING SCREW:3 X8 (x9)

- 53.GA003960 (x2) DECAL:POSITIONING DISPLAY:6.5X9



- 21.D0BQ6322 BRACKET:TM SENSOR:FRONT:PEEN



- 19.D0BQ6170 (x3) SPACER:DENSITY SENSOR:0.05MM



- 54.GW010009 (x3) DENSITY SENSOR:(S48)



- 55.GW140027 TEMPERATURE & HUMIDITY SENSOR:(S41)



- 22.D0BQ6324 BRACKET:REAR:TM SENSOR
- 15.AW020234 PHOTOINTERRUPTOR:GP1A173LCS 5F:(S5/S6/S8/S11/S13/S15/S23/S25/S32)
- 46.D1496310 BRACKET:ON-OFF:COLLAR
- 3.04543006Q (x18) TAPPING SCREW - M3X6

- 6.07200040E RETAINING RING - M4



- 20.D0BQ6311 GEAR:ON-OFF:COLLAR:OUTPUT:HS



- 45.D1496309 SHAFT:ON-OFF:COLLAR:MAIN



- 12.AA082101 (x2) BUSHING - 6X10X6

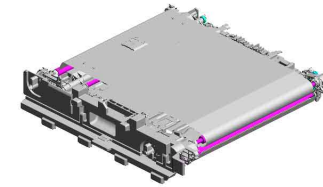


- 47.D1496312 JOINT:ON-OFF:COLLAR



U001	U002	U003	U004	U005	U006	U007	U008	U009	U010	U011	U012	U013	U014	U015	U016	U017	U018	U019
------	------	------	------	------	------	------	------	------	------	------	------	------	------	------	------	------	------	------

32.D0E36172 4.04583008N  
 BRACKET:BELT CL (x10)  
 EANING:FRONT HEXAGON HEAD T  
 APPING SCREW:3  
 X8



26.D0E36005  
 TRANSFER UNIT:I  
 NTERMEDIATE TR  
 ANSFER:IMC2010-  
 6010

34.D1175916  
 STEPPED SCREW:  
 M3X8:SECOND KIN  
 D

1.03603006N  
 (x2)  
 SCREW - M3X6

41.D1496173  
 BRACKET:BELT CL  
 EANING:REAR

7.08050103  
 (x2)  
 RETAINING RINGS  
 -E.SILENCER:DIA3

52.GA003934  
 (x2)  
 DECAL:OPERATE:  
 4X41

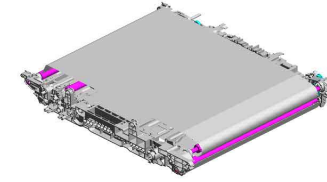
17.D0BQ6048  
 LEVER ON-OFF BK

U001	U002	U003	U004	U005	U006	U007	U008	U009	U010	U011	U012	U013	U014	U015	U016	U017	U018	U019
------	------	------	------	------	------	------	------	------	------	------	------	------	------	------	------	------	------	------

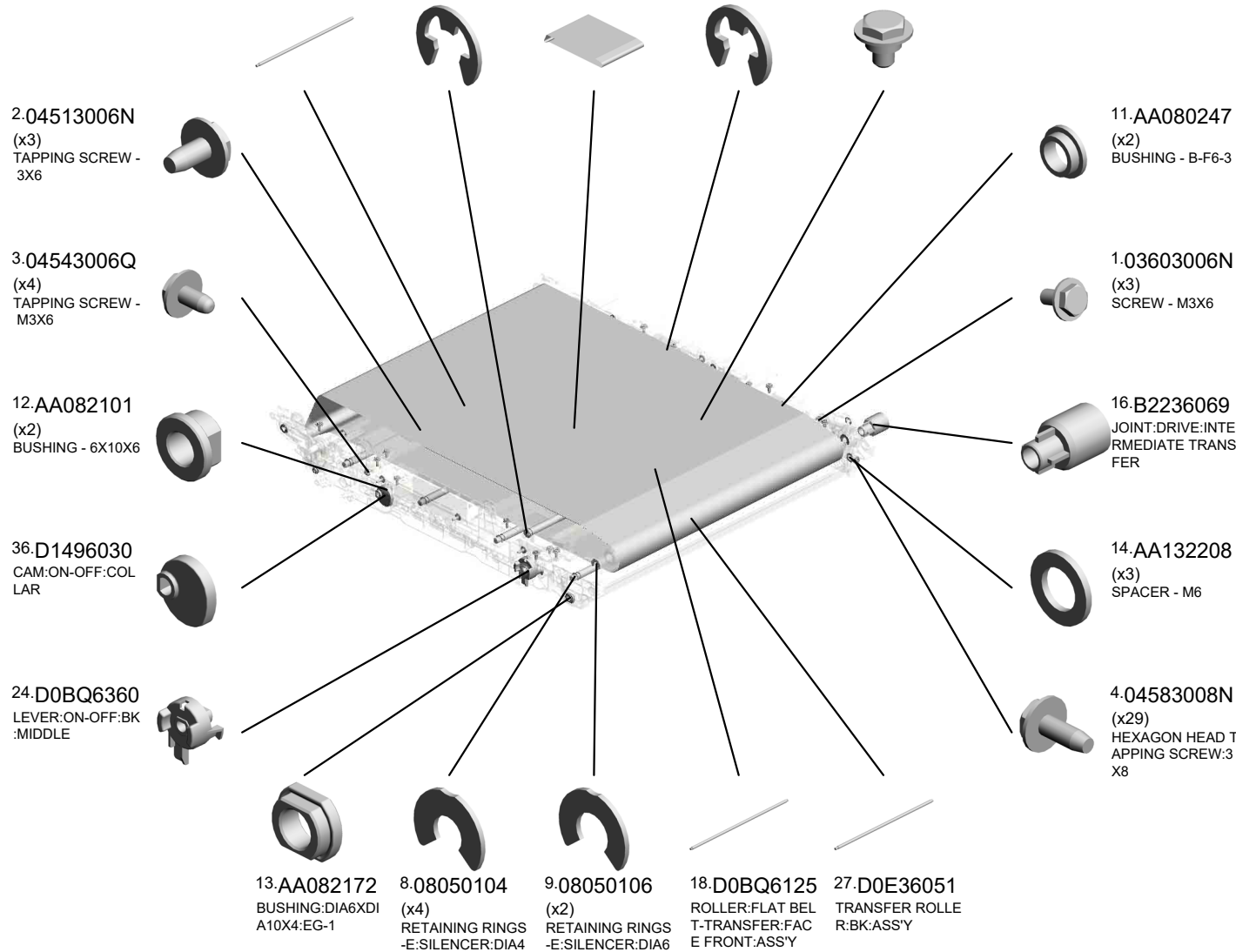
U009\_S001\_S001

TRANSFER UNIT:INTERMEDIATE TRANSFER:ASS'Y

- 28.D0E36061 (x3) TRANSFER ROLLER:FC:ASS'Y
- 6.07200040E (x12) RETAINING RING - M4
- 29.D0E36097 FLAT BELT-TRANSFER:INTERMEDIATE TRANSFER:SR
- 5.07200030E RETAINING RING - M3
- 35.D1441085 (x2) STEPPED SCREW: M3



- 25.D0E36003 TRANSFER UNIT:INTERMEDIATE TRANSFER:ASS'Y



U001	U002	U003	U004	U005	U006	U007	U008	U009	U010	U011	U012	U013	U014	U015	U016	U017	U018	U019
------	------	------	------	------	------	------	------	------	------	------	------	------	------	------	------	------	------	------

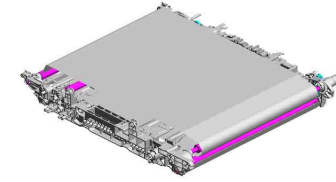
U009\_S001\_S001

TRANSFER UNIT:INTERMEDIATE TRANSFER:ASS'Y

50.D2416346  
PLAIN SHAFT BEA  
RING:ROLLER:BAC  
K UP:FRONT:PRES  
S FIT

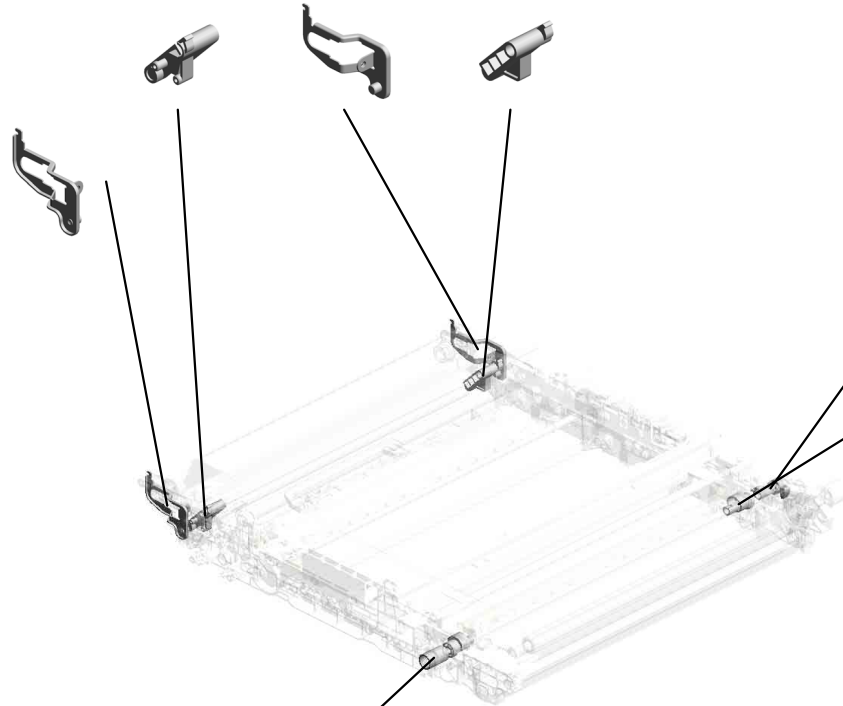
39.D1496136  
VIBRATING PLATE:  
REAR:PEEN

51.D2416347  
PLAIN SHAFT BEA  
RING:ROLLER:BAC  
K UP:REAR:PRESS  
FIT



25.D0E36003  
TRANSFER UNIT:I  
NTERMEDIATE TR  
ANSFER:ASS'Y

38.D1496133  
VIBRATING PLATE:  
FRONT:PEEN



57.M0AJ6037  
STOPPER:RIGHT:I  
NTERMEDIATE TR  
ANSFER

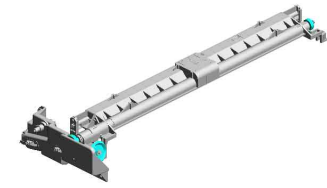
56.M0AJ6036  
(x2)  
CAM:ON-OFF:BK

37.D1496039  
COMPRESSION SP  
RING:LEVER

U001	U002	U003	U004	U005	U006	U007	U008	U009	U010	U011	U012	U013	U014	U015	U016	U017	U018	U019
------	------	------	------	------	------	------	------	------	------	------	------	------	------	------	------	------	------	------



U009\_S001\_S002  
BELT CLEANING:INTERMEDIATE TRANSFER

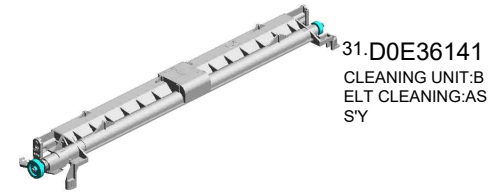


30.D0E36139  
BELT CLEANING:IN  
TERMEDIATE TRA  
NSFER

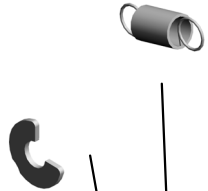
U001	U002	U003	U004	U005	U006	U007	U008	U009	U010	U011	U012	U013	U014	U015	U016	U017	U018	U019
------	------	------	------	------	------	------	------	------	------	------	------	------	------	------	------	------	------	------

U009\_S001\_S002\_S001  
 CLEANING UNIT:BELT CLEANING:ASS'Y

40.D1496163 1.03603006N  
 TENSION SPRING: (x3)  
 SHUTTER:BELT CL SCREW - M3X6  
 EANING



7.08050103  
 RETAINING RINGS  
 -E:SILENCER:DIA3



4.04583008N  
 (x2)  
 HEXAGON HEAD TAPPING SCREW:3  
 X8



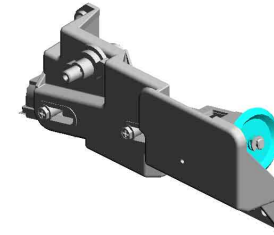
12.AA082101  
 (x2)  
 BUSHING - 6X10X6



U001	U002	U003	U004	U005	U006	U007	U008	U009	U010	U011	U012	U013	U014	U015	U016	U017	U018	U019
------	------	------	------	------	------	------	------	------	------	------	------	------	------	------	------	------	------	------

U009\_S001\_S002\_S002  
 TONER OUTLET UNIT:BELT CLEANING:ASS'Y

44.D1496195 3.04543006Q  
 CAM:DISCHARGE TAPPING SCREW -  
 USED TONER M3X6



33.D0E36180  
 TONER OUTLET U  
 NIT:BELT CLEANIN  
 G:ASS'Y

40.D1496163  
 (x2)  
 TENSION SPRING:  
 SHUTTER:BELT CL  
 EANING

4.04583008N  
 (x2)  
 HEXAGON HEAD T  
 APPING SCREW:3  
 X8

43.D1496190  
 GEAR:DISCHARGE  
 USED TONER

7.08050103  
 RETAINING RINGS  
 -E:SILENCER:DI A3

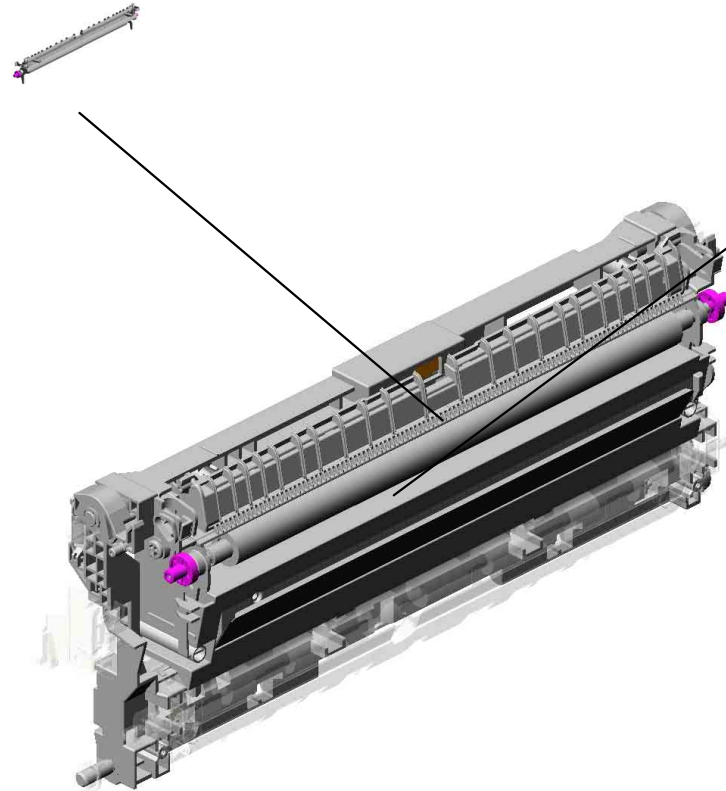
42.D1496179  
 GEAR:IDLER:DISC  
 HARGE USED TON  
 ER

12.AA082101  
 BUSHING - 6X10X6

U001	U002	U003	U004	U005	U006	U007	U008	U009	U010	U011	U012	U013	U014	U015	U016	U017	U018	U019
------	------	------	------	------	------	------	------	------	------	------	------	------	------	------	------	------	------	------

# U010.TRANSFER/SEPARATION

U010 S001  
D0BQ6212  
TRANSFER ROLLER:SECON  
D:ASSY



U010 S002  
D0E36215  
GUIDE PLATE:TRANSFER:S  
ECOND:ASSY

U001	U002	U003	U004	U005	U006	U007	U008	U009	U010	U011	U012	U013	U014	U015	U016	U017	U018	U019
------	------	------	------	------	------	------	------	------	------	------	------	------	------	------	------	------	------	------

# U010 TRANSFER/SEPARATION

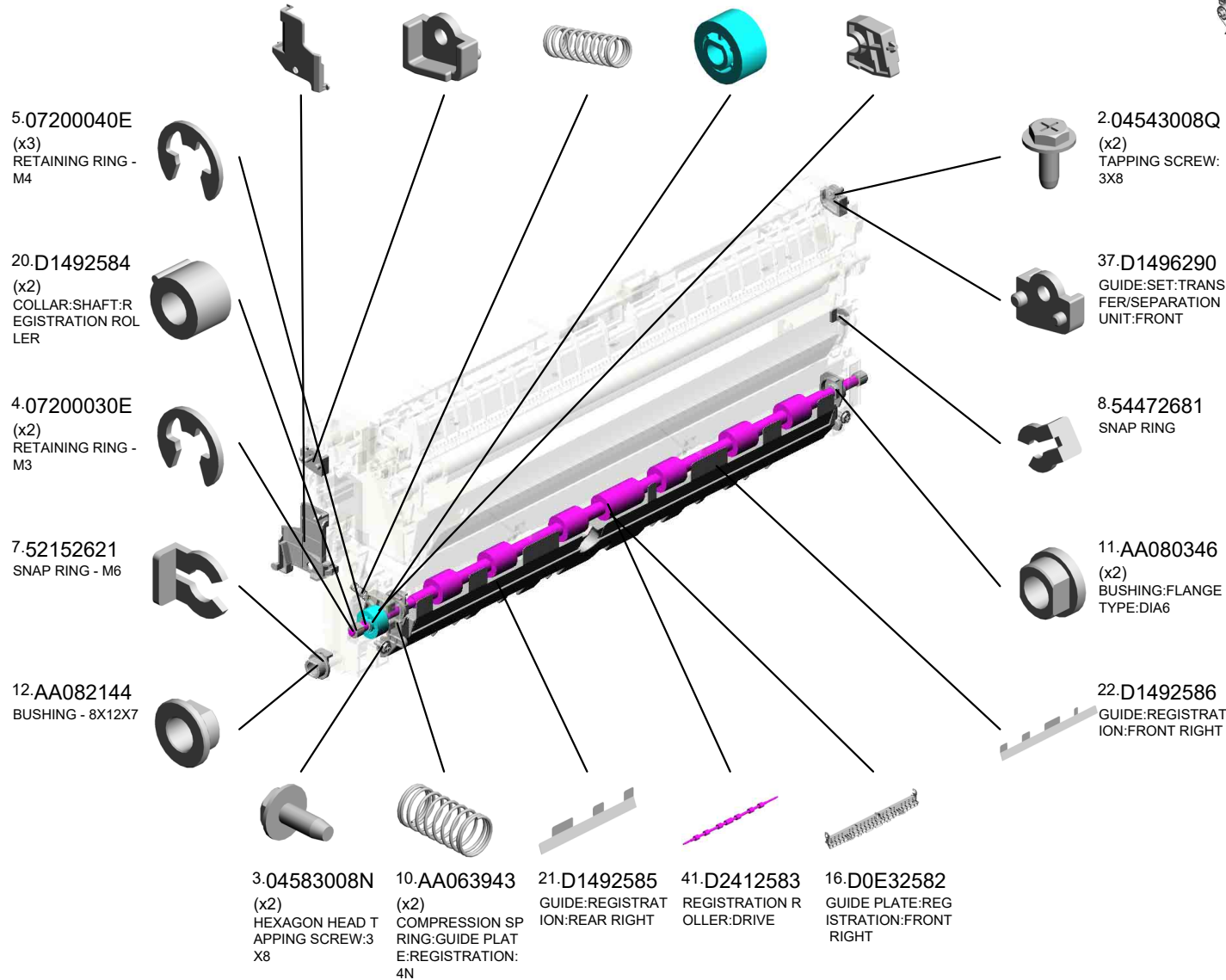
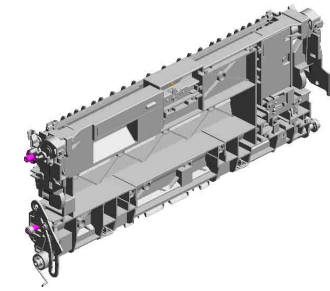
39.D1496295 COVER:HARNES:  
TRANSFER/SEPAR  
ATION UNIT

38.D1496291 GUIDE:SET:TRANS  
FER/SEPARATION  
UNIT:REAR

9.AA063942 COMPRESSION SP  
RING:REGISTRATI  
ON:DRIVE

13.AB011571 GEAR:Z19:DRIVE:R  
EGISTRATION

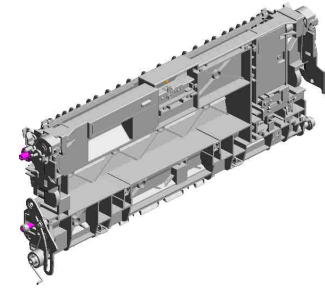
17.D0E32990 PLAIN SHAFT BEA  
RING:DRIVE:REGI  
STRATION ROLLE  
R



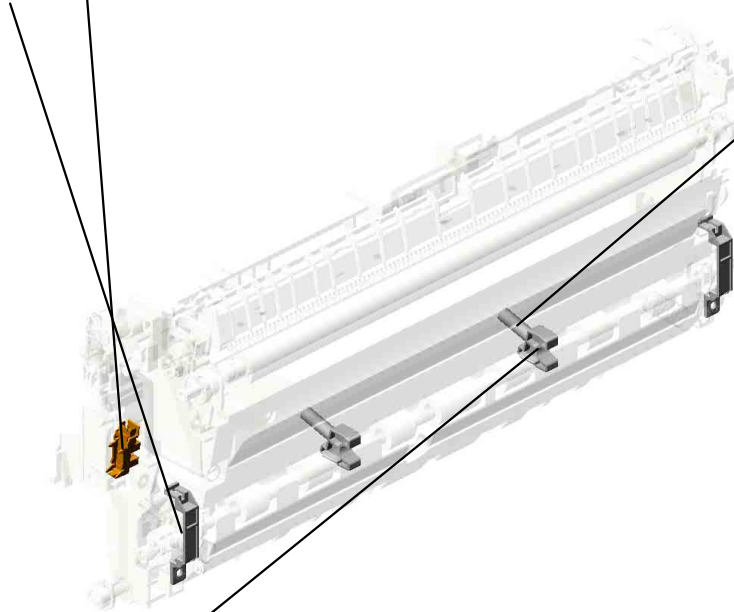
U001	U002	U003	U004	U005	U006	U007	U008	U009	<b>U010</b>	U011	U012	U013	U014	U015	U016	U017	U018	U019
------	------	------	------	------	------	------	------	------	-------------	------	------	------	------	------	------	------	------	------

# U010 TRANSFER/SEPARATION

53.GW020026  
PHOTOINTERRUP  
TOR:LG2A24RL1G:  
(S2/S34/S42)



43.D2412993  
(x2)  
STOPPER:REGIST  
RATION ROLLER



44.D2412994  
(x2)  
COMPRESSION SP  
RING:REGISTRATI  
ON:INNER:DRIVE

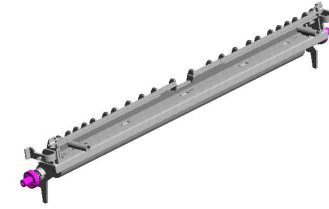


42.D2412991  
(x2)  
PLAIN SHAFT BEA  
RING:INNER:DRIV  
E:REGISTRATION  
ROLLER

U001	U002	U003	U004	U005	U006	U007	U008	U009	U010	U011	U012	U013	U014	U015	U016	U017	U018	U019
------	------	------	------	------	------	------	------	------	------	------	------	------	------	------	------	------	------	------

U010\_S001  
TRANSFER ROLLER:SECOND:ASS'Y

5-07200040E  
RETAINING RING -  
M4



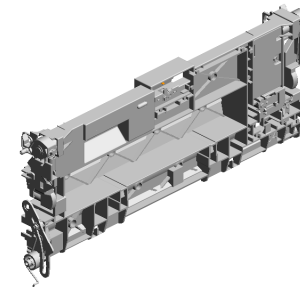
15.D0BQ6212  
TRANSFER ROLLE  
R:SECOND:ASSY



U001	U002	U003	U004	U005	U006	U007	U008	U009	U010	U011	U012	U013	U014	U015	U016	U017	U018	U019
------	------	------	------	------	------	------	------	------	------	------	------	------	------	------	------	------	------	------

GUIDE PLATE:TRANSFER:SECOND:ASS'Y

- 35.D1496254 DECAL:GRIP:B:LOWER
- 40.D2026255 DECAL:GRIP:B
- 34.D1496248 CAP:LED
- 23.D1494662 DIFFUSION PLATE:LED
- 14.AW010147 PHOTO REFLECTI ON SENSOR:(S1/S27)



- 18.D0E36215 GUIDE PLATE:TRANSFER:SECOND:ASS'Y

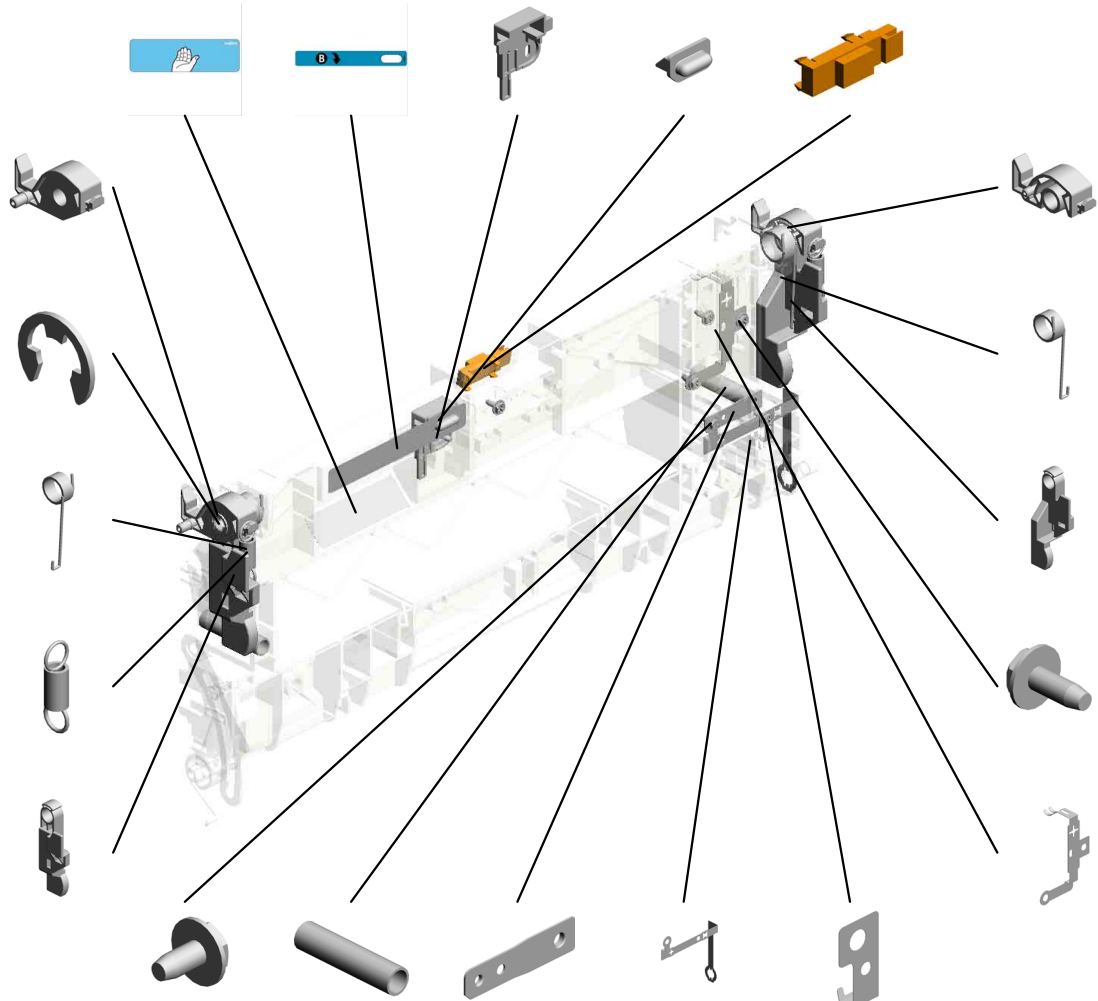
- 24.D1496226 LEVER:TRANSFER /SEPARATION UNIT:FRONT

- 6.07200060E (x2) RETAINING RING - M6

- 26.D1496228 TORSION SPRING: LEVER:SET:FRONT

- 27.D1496229 (x2) TENSION SPRING: LEVER:SET

- 25.D1496227 LEVER:SET:FRONT



- 28.D1496231 LEVER:TRANSFER /SEPARATION UNIT:REAR

- 30.D1496233 TORSION SPRING: LEVER:SET:REAR

- 29.D1496232 LEVER:SET:REAR

- 3.04583008N (x6) HEXAGON HEAD TAPPING SCREW:3 X8

- 19.D0E36244 GROUND PLATE:SEPARATION

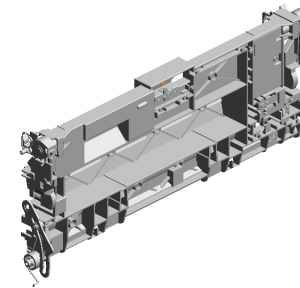
- 1.04513006N TAPPING SCREW - 3X6
- 31.D1496242 (x2) COMPRESSION SPRING:PRESSURE:TRANSFER ROLLER
- 32.D1496243 RECEIVE PLATE:COMPRESSION SPRING:TRANSFER ROLLER
- 33.D1496245 GROUND PLATE:TRANSFER/SEPARATION UNIT
- 36.D1496257 GROUND PLATE:REGISTRATION ROLLER

U001	U002	U003	U004	U005	U006	U007	U008	U009	U010	U011	U012	U013	U014	U015	U016	U017	U018	U019
------	------	------	------	------	------	------	------	------	------	------	------	------	------	------	------	------	------	------



U010\_S002  
GUIDE PLATE:TRANSFER:SECOND:ASS'Y

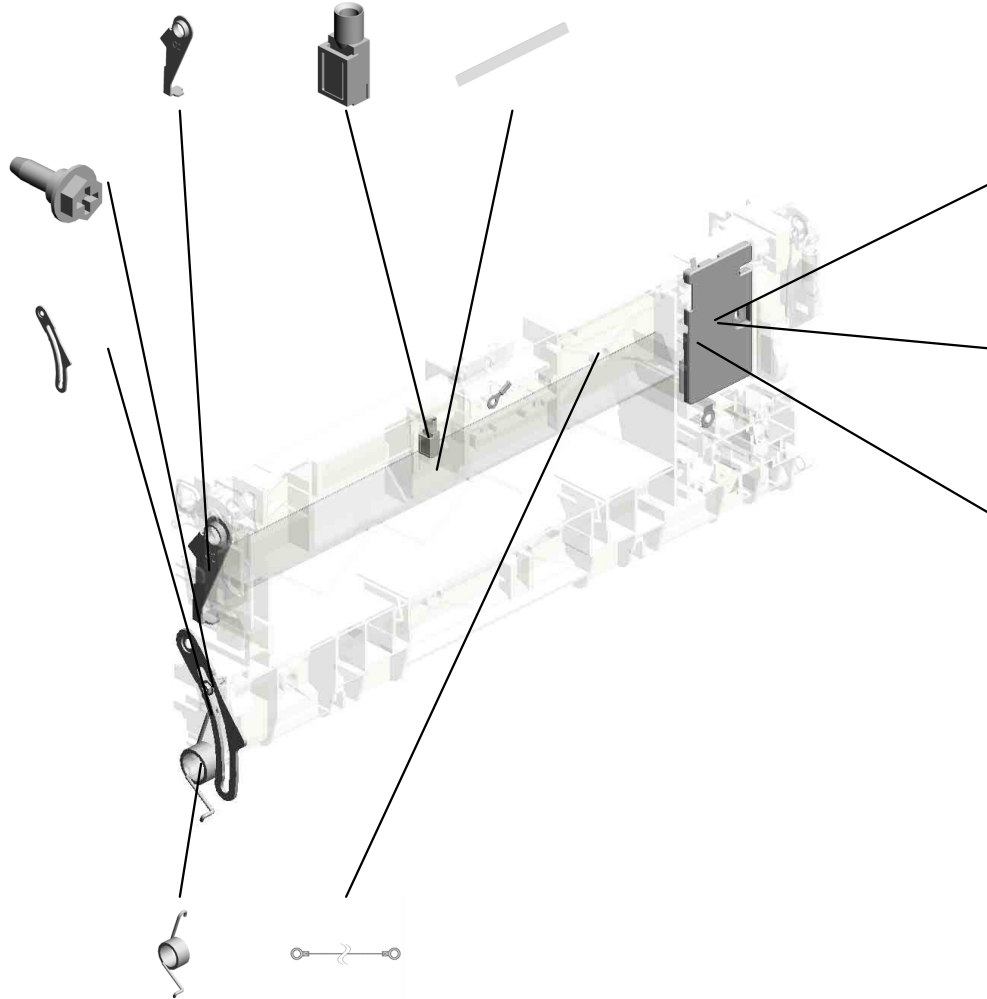
45.D2416240 LEVER:PRESSURE :TRANSFER ROLL ER:FRONT:DIA19.5  
 51.D2416290 LED:RED  
 50.D2416275 SHEET:ENTRANCE :TRANSFER



18.D0E36215  
GUIDE PLATE:TRA  
NSFER:SECOND:A  
SS'Y

52.GA143003  
SCREW:MM5:2.5M  
M

55.M0BW6246  
LINK:TRANSFER/S  
EPARATION UNIT:  
MO



46.D2416241  
LEVER:PRESSURE :TRANSFER ROLL ER:REAR:DIA19.5

49.D2416258  
COVER:TRANSFE R/SEPARATION UN IT

48.D2416256  
GROUND PLATE:G UIDE:TRANSPORT

54.M0BW6228 TORSION SPRING: SEPARATION/TRA NSPORT:28N  
 47.D2416250 GROUND WIRE:BR ACKET:ENTRANCE SENSOR

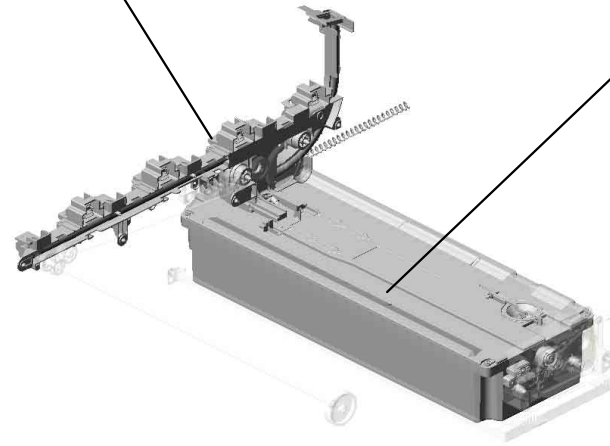
U001	U002	U003	U004	U005	U006	U007	U008	U009	U010	U011	U012	U013	U014	U015	U016	U017	U018	U019
------	------	------	------	------	------	------	------	------	------	------	------	------	------	------	------	------	------	------

# U011.USED TONER

U011 S002  
D0BQ6511  
PIPE:ASS'Y



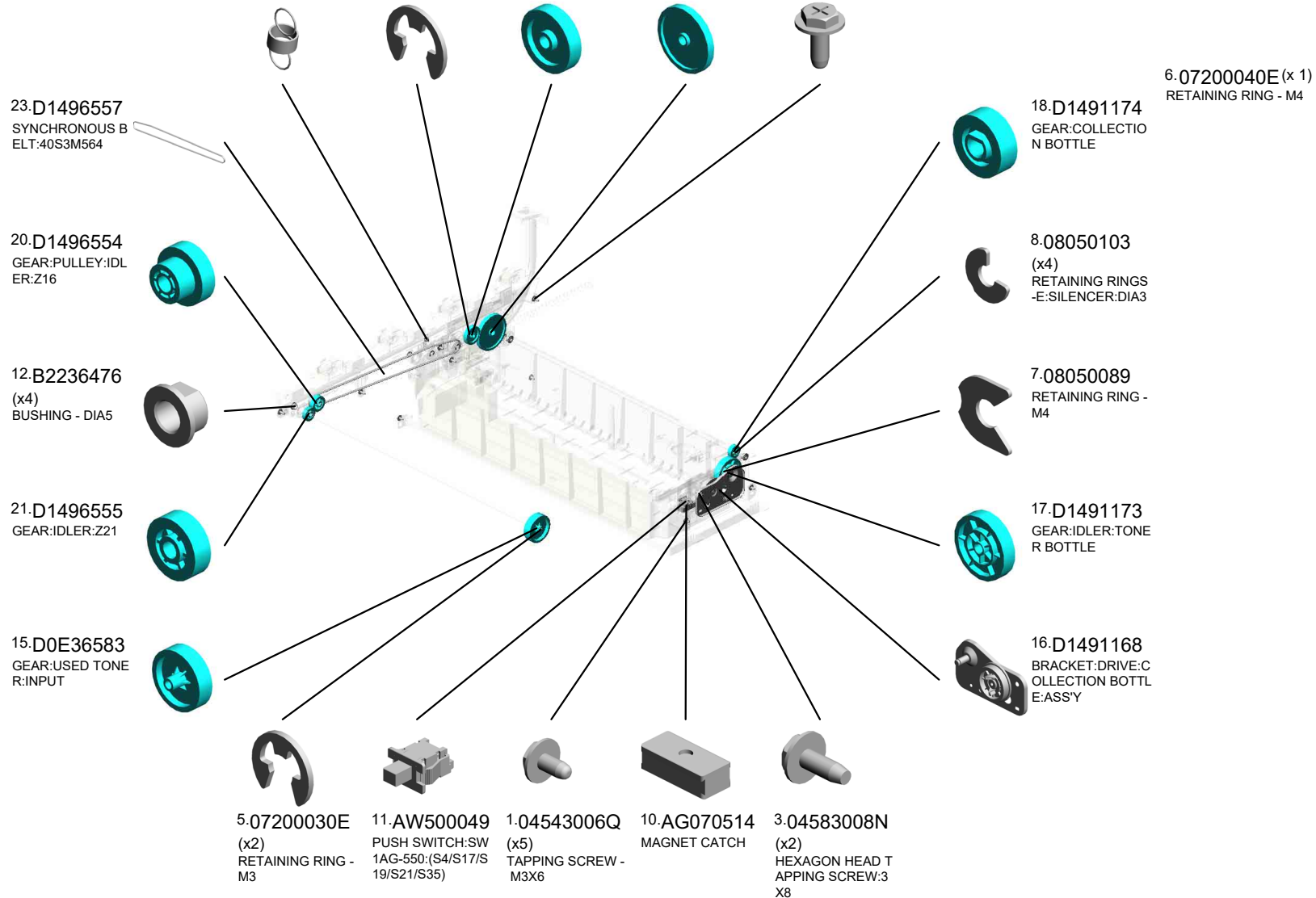
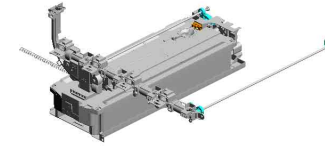
U011 S001  
D0BQ6400  
COLLECTION BOTTLE:ASS'Y



U001	U002	U003	U004	U005	U006	U007	U008	U009	U010	U011	U012	U013	U014	U015	U016	U017	U018	U019
------	------	------	------	------	------	------	------	------	------	------	------	------	------	------	------	------	------	------

# U011 USED TONER

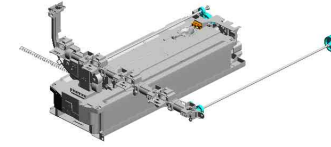
22.D1496556 TENSION SPRING:  
BELT TENSIONER  
6.07200040E (x7)  
RETAINING RING -  
M4  
19.D1496552 GEAR:IDLER:Z30  
24.D1496558 GEAR:IDLER:Z61  
2.04543008Q (x4)  
TAPPING SCREW:  
3X8



U001	U002	U003	U004	U005	U006	U007	U008	U009	U010	U011	U012	U013	U014	U015	U016	U017	U018	U019
------	------	------	------	------	------	------	------	------	------	------	------	------	------	------	------	------	------	------

# U011 USED TONER

25.D1496561 PULLEY:USED TONER  
 27.D1496571 BRACKET:PULLEY:IDLER:USED TONER  
 28.D1496574 GEAR:PULLEY:IDLER:Z18  
 29.D1496575 FLANGE:IDLER:USED TONER



26.D1496562 BRACKET:TIGHTENER:USED TONER



31.D1496582 GEAR:USED TONER:RIGHT

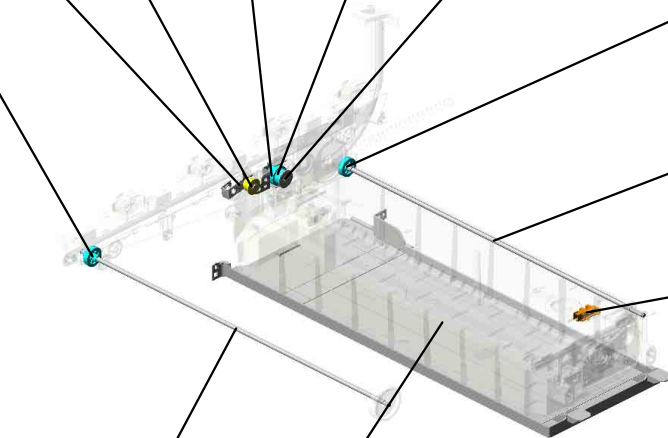


33.D1496587 GEAR:USED TONER:LEFT

32.D1496586 SHAFT:DRIVE:USED TONER:LEFT



36.GW020026 PHOTOINTERRUPTOR:LG2A24RL1G:(S2/S34/S42)



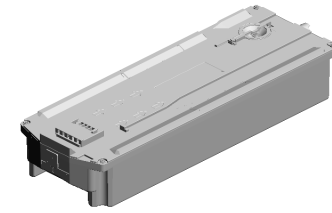
30.D1496581 SHAFT:DRIVE:USED TONER:RIGHT

34.D1496592 RAIL:COLLECTION BOTTLE

U001	U002	U003	U004	U005	U006	U007	U008	U009	U010	U011	U012	U013	U014	U015	U016	U017	U018	U019
------	------	------	------	------	------	------	------	------	------	------	------	------	------	------	------	------	------	------

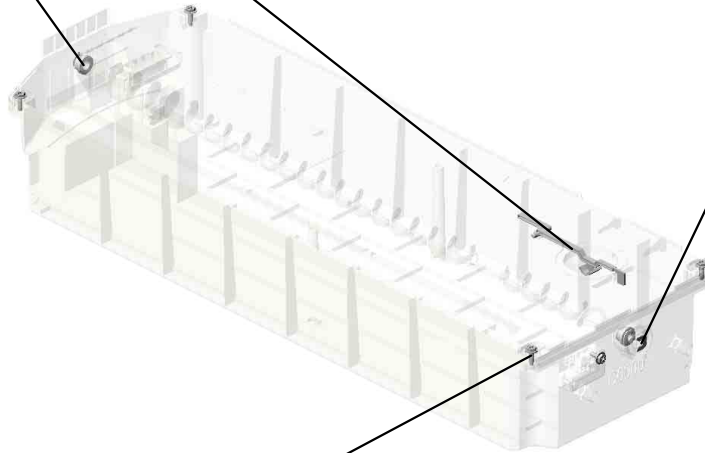
U011\_S001  
COLLECTION BOTTLE:ASS'Y

35.D2426432  
FEELER:COLLECTI  
ON BOTTLE



13.D0BQ6400  
COLLECTION BOT  
TLE:ASS'Y

9.AA080346  
(x2)  
BUSHING:FLANGE  
TYPE:DIA6



7.08050089  
(x3)  
RETAINING RING -  
M4



4.04583010N  
(x5)  
HEXAGON HEAD T  
APPING SCREW:3  
X10



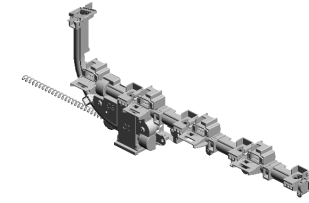
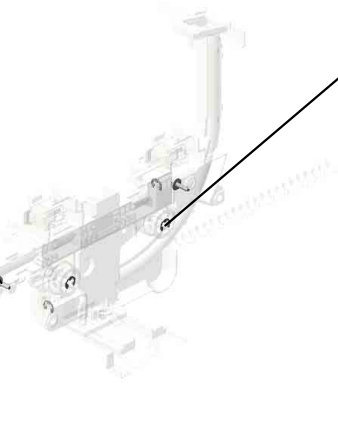
U001	U002	U003	U004	U005	U006	U007	U008	U009	U010	U011	U012	U013	U014	U015	U016	U017	U018	U019
------	------	------	------	------	------	------	------	------	------	------	------	------	------	------	------	------	------	------

U011\_S002  
PIPE:ASS'Y

4.04583010N  
(x4)  
HEXAGON HEAD TAPPING SCREW:3  
X10



6.07200040E  
(x4)  
RETAINING RING -  
M4

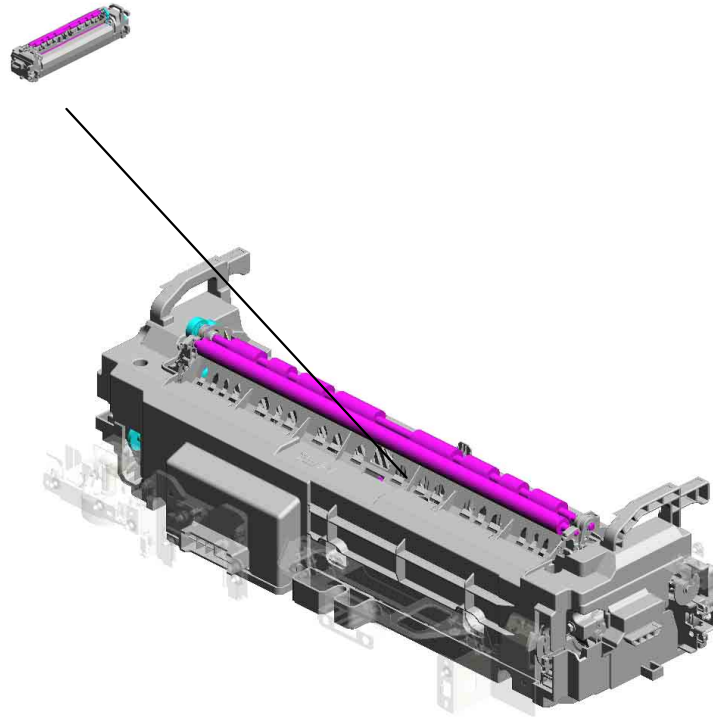


14.D0BQ6511  
PIPE:ASS'Y

U001	U002	U003	U004	U005	U006	U007	U008	U009	U010	U011	U012	U013	U014	U015	U016	U017	U018	U019
------	------	------	------	------	------	------	------	------	------	------	------	------	------	------	------	------	------	------

# U012.FUSING

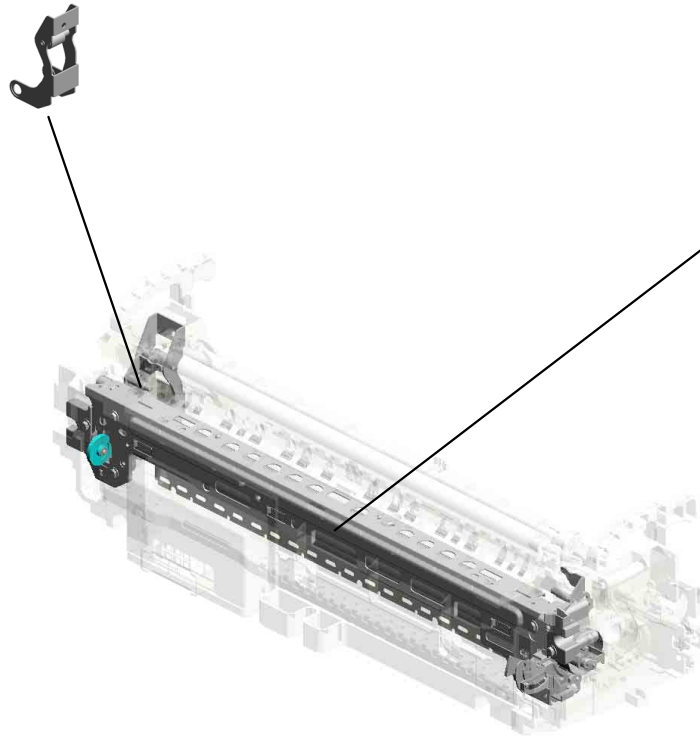
U012 S001  
D0E34022  
(EU/AA/IND/CHN):FUSING U  
NIT:220-240V:IMC4510-6010



U001	U002	U003	U004	U005	U006	U007	U008	U009	U010	U011	U012	U013	U014	U015	U016	U017	U018	U019
------	------	------	------	------	------	------	------	------	------	------	------	------	------	------	------	------	------	------

# U012\_S001.(EU/AA/IND/CHN):FUSING UNIT:220-240V:IMC4510-6010

U012 S001 S001  
D2414160  
LEVER:PRESSURE:REAR:PE  
EN



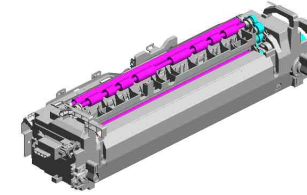
U012 S001 S002  
D0E34052  
(EU/AA/IND/CHN):SLEEVE:F  
USING:220-240V:IMC4510-60  
10

U001	U002	U003	U004	U005	U006	U007	U008	U009	U010	U011	U012	U013	U014	U015	U016	U017	U018	U019
------	------	------	------	------	------	------	------	------	------	------	------	------	------	------	------	------	------	------



# U012 FUSING

30.AB012102 GEAR:IDLER:WORK GEAR  
 28.AA148871 SHAFT:GEAR:IDLER:WORM GEAR  
 31.AB012104 GEAR:IDLER:LIGHT SHIELDING PLATE  
 8.07200040E (x2) RETAINING RING - M4  
 14.09574008N SCREW:SMALL ROUND/SPRING:M4X8



20.AA061207 TENSION SPRING: BRACKET:IDLER

1.03530060N (x2) BIND SCREW - M3X6

18.11050758 CLAMP:LWSM-0306A

4.04583008N (x2) HEXAGON HEAD TAPPING SCREW:3X8

17.11050723 (x2) CLAMPS:WES-0507

76.D2414354 BRACKET:DRAWER:MAIN

19.11050759 (x2) CLAMP:LWSM-0605A

27.AA143219 (x2) STEPPED SCREW

15.11050692 CLAMP:LES-0503

3.04543006Q (x8) TAPPING SCREW - M3X6

2.03603006N (x4) SCREW - M3X6

57.D1494371 BRACKET:PHOTO INTERRUPTOR

41.AW020190 (x2) PHOTO INTERRUPTOR:(S26/S50)

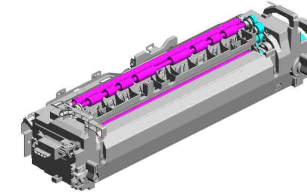
52.D0E34366 BRACKET:THERMOPILE

45.AW100183 (x2) THERMOPILE:(TH1/TH2)

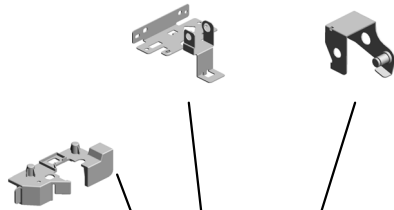
U001	U002	U003	U004	U005	U006	U007	U008	U009	U010	U011	U012	U013	U014	U015	U016	U017	U018	U019
------	------	------	------	------	------	------	------	------	------	------	------	------	------	------	------	------	------	------

# U012 FUSING

82.D2424386 BRACKET:DC STEPPER MOTOR  
 81.D2424383 BRACKET:IDLER:DC STEPPER MOTOR



93.M0AJ4388 COVER:DRIVE UNIT:LIGHT SHIELDING P



77.D2414365 (x2) HOLDER:THERMOPILE



78.D2414367 (x2) STOPPER:THERMOPILE



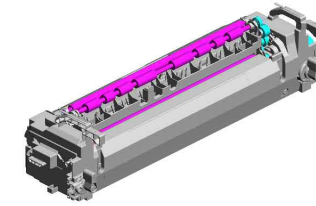
80.D2424382 DC STEPPER MOTOR:ASSY:(M28)



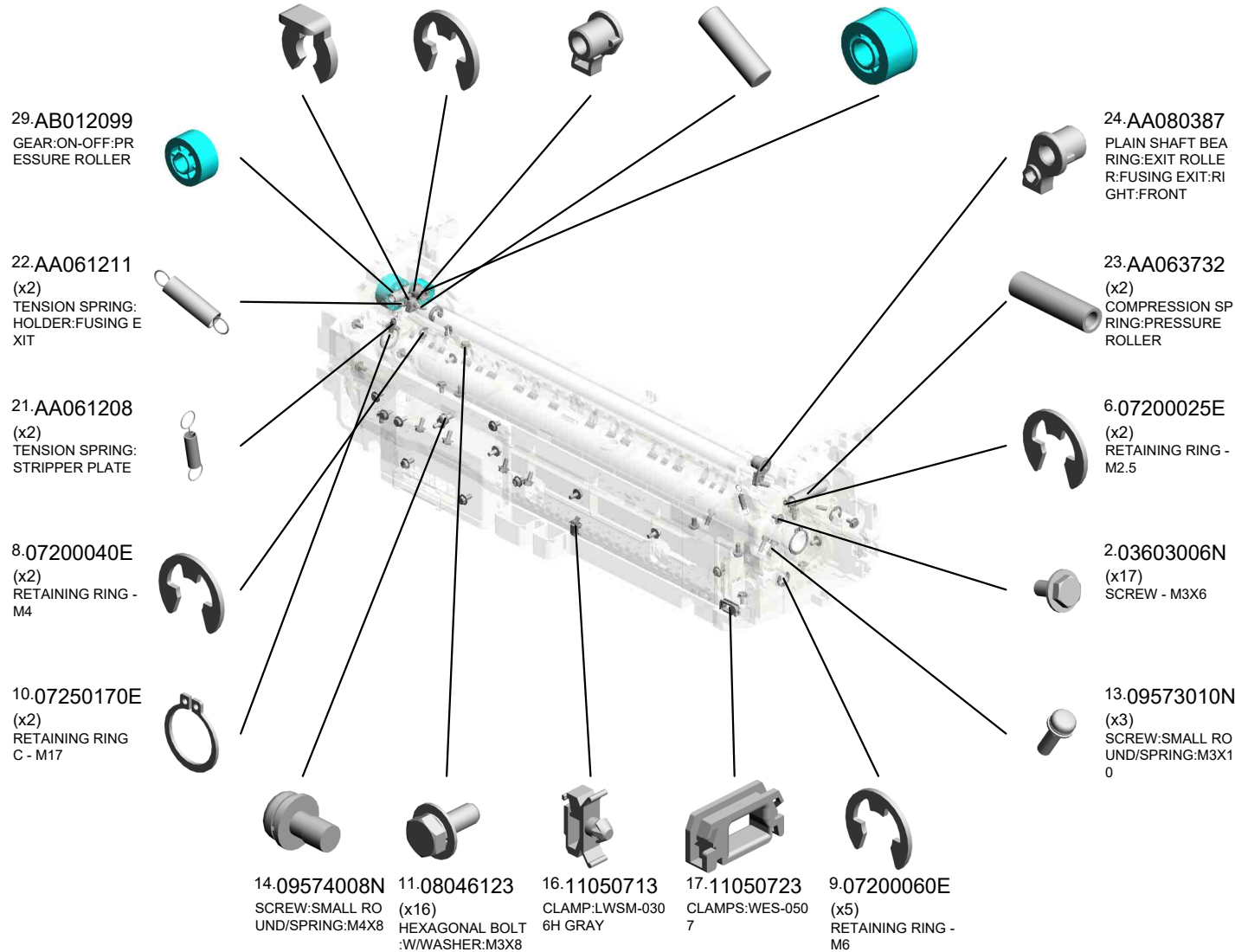
U001	U002	U003	U004	U005	U006	U007	U008	U009	U010	U011	U012	U013	U014	U015	U016	U017	U018	U019
------	------	------	------	------	------	------	------	------	------	------	------	------	------	------	------	------	------	------

U012\_S001  
 (EU/AA/IND/CHN):FUSING UNIT:220-240V:IMC4510-6010

- 26.AA100016 (x2) RETAINING RINGS -C:DIA3
- 7.07200030E (x2) RETAINING RING -M3
- 25.AA080388 PLAIN SHAFT BEARING:EXIT ROLLER:FUSING EXIT:RIGHT:REAR
- 5.06330100G (x2) PARALLEL PIN - 3X10
- 32.AB012107 GEAR:IDLER:EXIT:FUSING EXIT:1



**94.D0E34022**  
 (EU/AA/IND/CHN):FUSING UNIT:220-240V:IMC4510-6010

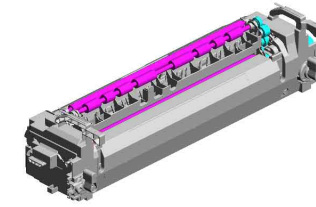


U001	U002	U003	U004	U005	U006	U007	U008	U009	U010	U011	U012	U013	U014	U015	U016	U017	U018	U019
------	------	------	------	------	------	------	------	------	------	------	------	------	------	------	------	------	------	------

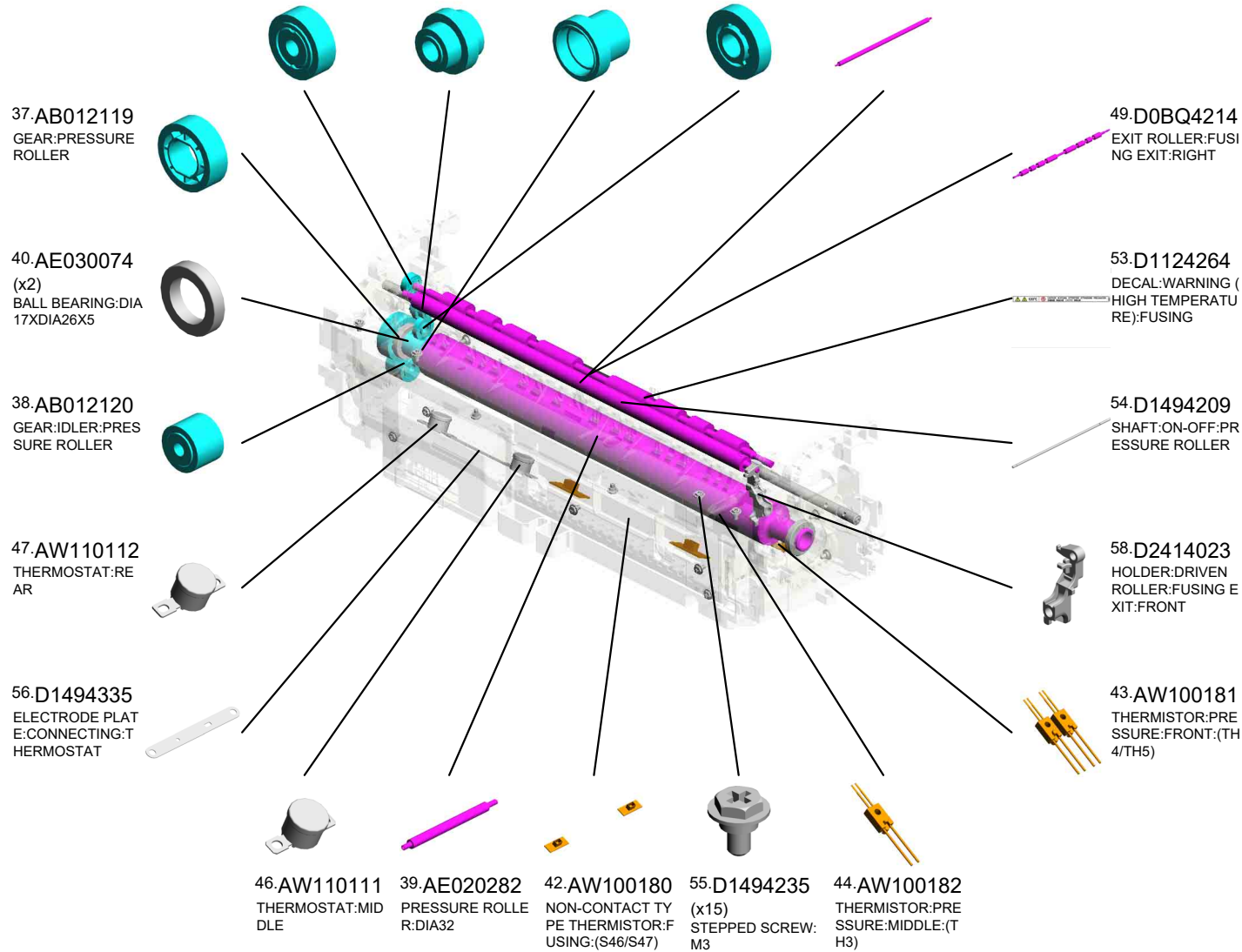
U012\_S001

(EU/AA/IND/CHN):FUSING UNIT:220-240V:IMC4510-6010

- 35.AB012110 GEAR:EXIT ROLLER:FUSING EXIT:RIGHT
- 33.AB012108 GEAR:IDLER:EXIT:FUSING EXIT:2
- 36.AB012111 GEAR:PRESSURE ROLLER:EXIT
- 34.AB012109 GEAR:IDLER:EXIT:FUSING EXIT:3
- 48.D0BQ4102 DRIVEN ROLLER:FUSING EXIT:ASS'Y



94.D0E34022  
(EU/AA/IND/CHN):FUSING UNIT:220-240V:IMC4510-6010

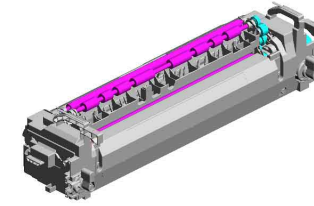


U001	U002	U003	U004	U005	U006	U007	U008	U009	U010	U011	U012	U013	U014	U015	U016	U017	U018	U019
------	------	------	------	------	------	------	------	------	------	------	------	------	------	------	------	------	------	------

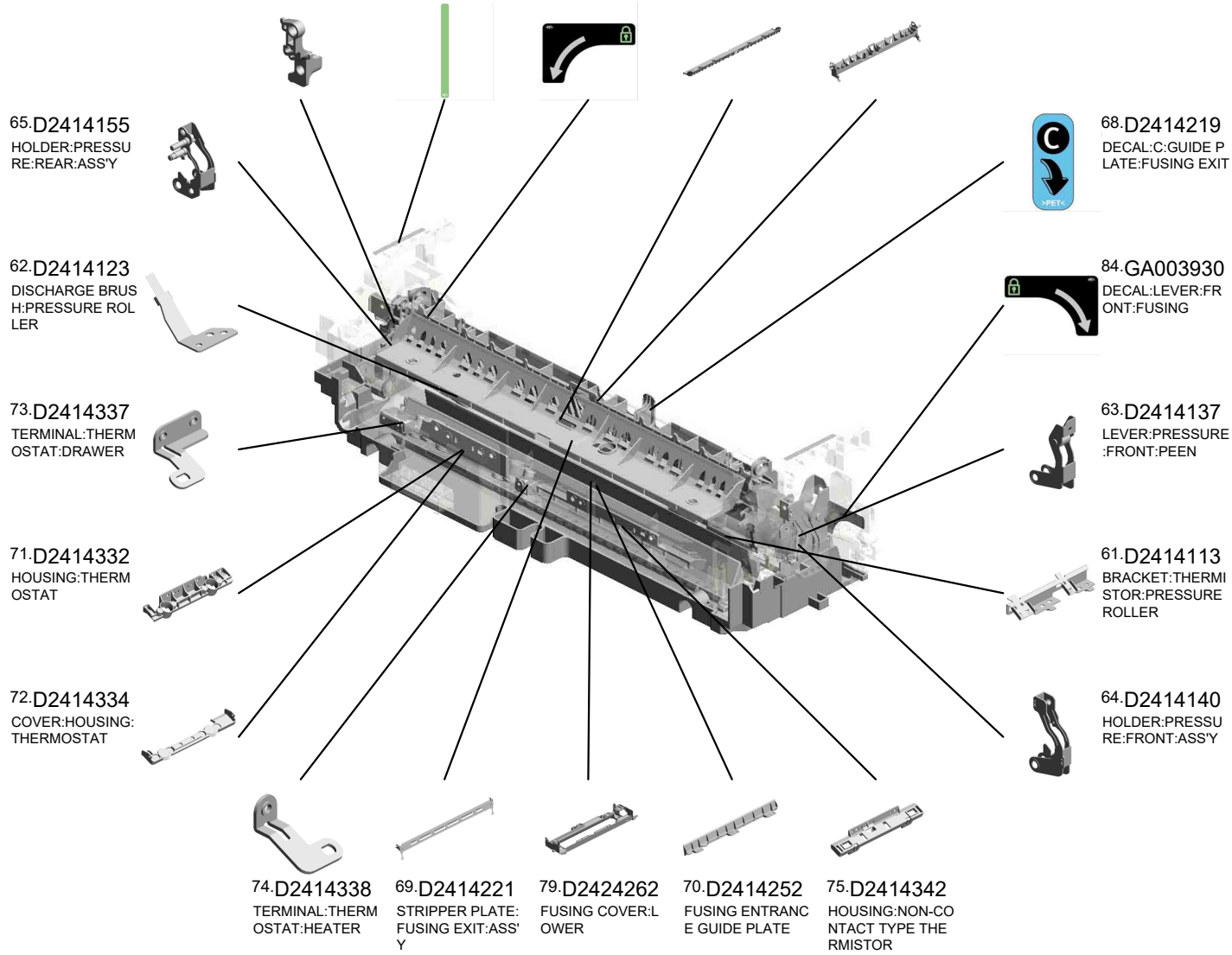
U012\_S001

(EU/AA/IND/CHN):FUSING UNIT:220-240V:IMC4510-6010

- 59.D2414024 HOLDER:DRIVEN ROLLER:FUSING EXIT:REAR
- 83.GA003929 (x2) DECAL:OPERATE:4X27
- 85.GA003931 DECAL:LEVER:REAR:FUSING
- 60.D2414108 GUIDE:FUSING EXIT:LEFT
- 67.D2414215 GUIDE:FUSING EXIT:RIGHT:ASS'Y



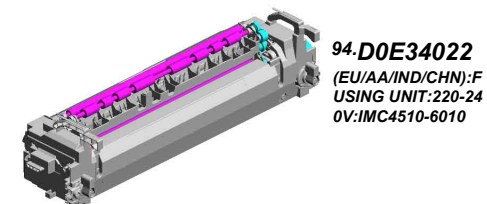
**94.D0E34022**  
(EU/AA/IND/CHN):FUSING UNIT:220-240V:IMC4510-6010



U001	U002	U003	U004	U005	U006	U007	U008	U009	U010	U011	U012	U013	U014	U015	U016	U017	U018	U019
------	------	------	------	------	------	------	------	------	------	------	------	------	------	------	------	------	------	------

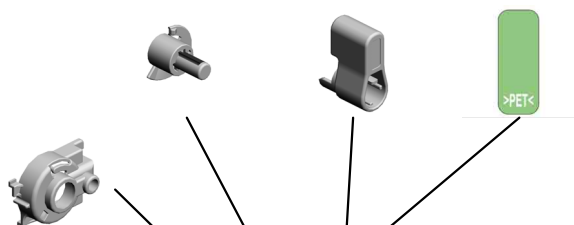
U012\_S001  
 (EU/AA/IND/CHN):FUSING UNIT:220-240V:IMC4510-6010

89.M0AJ4272 HOOK:FUSING:REAR  
 90.M0AJ4273 (x2) LEVER:FUSING  
 87.GA003933 (x4) DECAL:OPERATE:4X10.5



94.D0E34022  
 (EU/AA/IND/CHN):FUSING UNIT:220-240V:IMC4510-6010

88.M0AJ4271  
 COVER:LEVER:FUSING:REAR



92.M0AJ4279  
 HOOK:FUSING:FRONT



91.M0AJ4278  
 COVER:LEVER:FUSING:FRONT

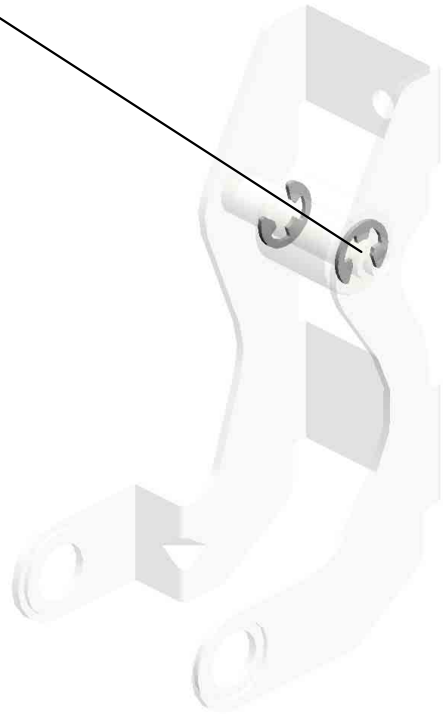


86.GA003932 (x2)  
 DECAL:LEVER:RELEASE

U001	U002	U003	U004	U005	U006	U007	U008	U009	U010	U011	U012	U013	U014	U015	U016	U017	U018	U019
------	------	------	------	------	------	------	------	------	------	------	------	------	------	------	------	------	------	------

U012\_S001\_S001  
LEVER:PRESSURE:REAR:PEEN

8.07200040E  
(x2)  
RETAINING RING -  
M4



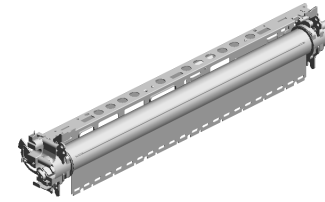
66.D2414160  
LEVER:PRESSURE  
:REAR:PEEN

U001	U002	U003	U004	U005	U006	U007	U008	U009	U010	U011	U012	U013	U014	U015	U016	U017	U018	U019
------	------	------	------	------	------	------	------	------	------	------	------	------	------	------	------	------	------	------

U012\_S001\_S002  
(EU/AA/IND/CHN):SLEEVE:FUSING:220-240V:IMC4510-6010

12.08046128

(x4)  
HEXAGONAL BOLT  
:DOUBLE SCREW:  
M3X10



95.D0E34052  
(EU/AA/IND/CHN):S  
LEEVE:FUSING:22  
0-240V:IMC4510-60  
10

11.08046123

(x2)  
HEXAGONAL BOLT  
:W/WASHER:M3X8



6.07200025E

RETAINING RING -  
M2.5



2.03603006N

(x6)  
SCREW - M3X6

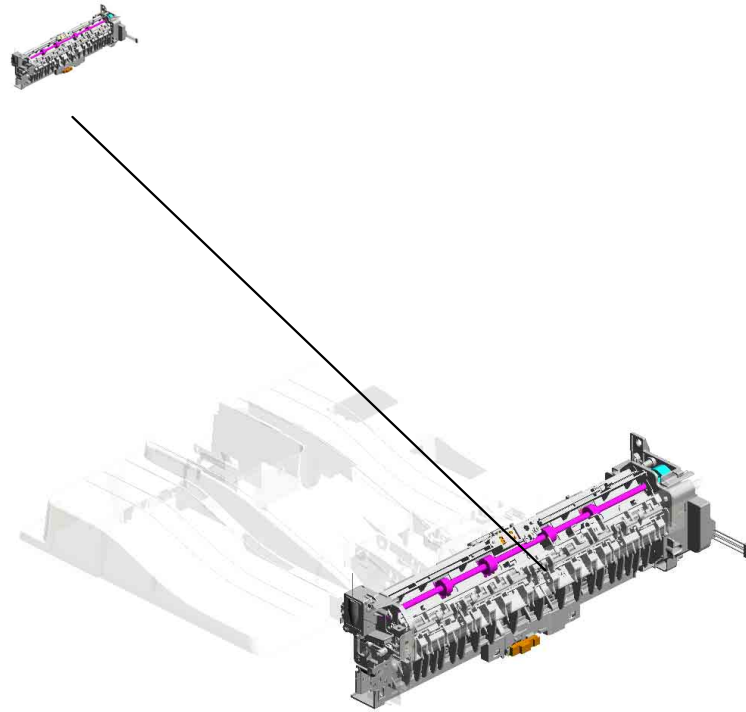


U001	U002	U003	U004	U005	U006	U007	U008	U009	U010	U011	U012	U013	U014	U015	U016	U017	U018	U019
------	------	------	------	------	------	------	------	------	------	------	------	------	------	------	------	------	------	------



# U013.PAPER EXIT

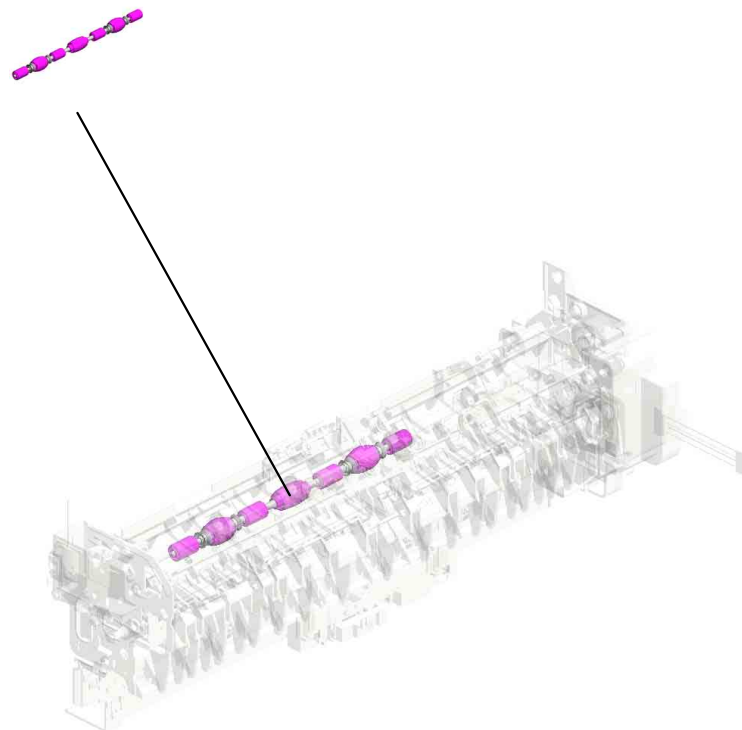
U013 S001  
D0E34404  
PAPER EXIT UNIT:ASSY



U001	U002	U003	U004	U005	U006	U007	U008	U009	U010	U011	U012	U013	U014	U015	U016	U017	U018	U019
------	------	------	------	------	------	------	------	------	------	------	------	------	------	------	------	------	------	------

# U013\_S001.PAPER EXIT UNIT:ASS'Y

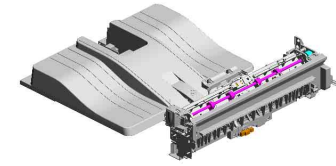
U013 S001 S001  
D2414950  
ROLLER:EXIT:PRESSURE:2T  
YPE:ASS'Y



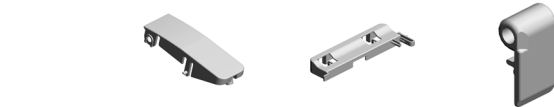
U001	U002	U003	U004	U005	U006	U007	U008	U009	U010	U011	U012	U013	U014	U015	U016	U017	U018	U019
------	------	------	------	------	------	------	------	------	------	------	------	------	------	------	------	------	------	------

# U013 PAPER EXIT

27.D0E34494 32.D0E34961 65.D2414971  
 TRAY:AUXILIARY:EXIT:ZB BASE:PLATE:EXIT: (x2)  
 LINK:PLATE:EXIT



28.D0E34497  
 TRAY:EXIT



52.D2414499  
 COMPRESSION SPRING:BASE:TRAY:EXIT



66.D2414972  
 (x2)  
 GUIDE:PLATE:EXIT



30.D0E34937  
 INNER COVER:EXIT



2.04513006N  
 (x3)  
 TAPPING SCREW - 3X6

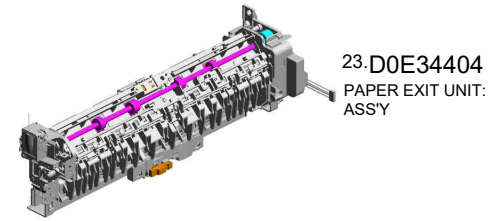


29.D0E34932 4.04583008N  
 BRACKET:POSITIONING:PAPER EXIT UNIT\_ (x3)  
 HEXAGON HEAD TAPPING SCREW:3X8



U001	U002	U003	U004	U005	U006	U007	U008	U009	U010	U011	U012	U013	U014	U015	U016	U017	U018	U019
------	------	------	------	------	------	------	------	------	------	------	------	------	------	------	------	------	------	------

U013\_S001  
PAPER EXIT UNIT:ASS'Y



23.D0E34404  
PAPER EXIT UNIT:  
ASS'Y

- 20.D0394925 (x4) ROLLER:REVERSE :DRIVEN
- 18.D0094407 FEELER - OVERFLOW
- 21.D0394927 (x2) COMPRESSION SPRING:PRESSURE: REVERSE:DRIVEN
- 15.AF040571 (x11) GUIDE ROLLER
- 17.AW020234 PHOTOINTERRUPTOR:GP1A173LCS 5F:(S5/S6/S8/S11/S13/S15/S23/S25/S32)

9.11050692 (x3) CLAMP:LES-0503

1.03530030N (x3) SCREW:M3X3

8.08050104 RETAINING RINGS -E:SILENCER:DIA4

14.AA082195 (x2) PLAIN SHAFT BEARING:RING:DIA6XDIA10X6

19.D0094455 CUSHION - DC SOLENOID

12.AA080252 (x2) BUSHING - M4

16.AW010147 PHOTO REFLECTION SENSOR:(S1/S27)

5.04583010N (x8) HEXAGON HEAD TAPPING SCREW:3X10

11.A2324666 CUSHION - STEPPER MOTOR

2.04513006N (x10) TAPPING SCREW - 3X6

13.AA082193 (x4) PLAIN SHAFT BEARING:RING:DIA4XDIA8X5

10.11050758 (x7) CLAMP:LWSM-0306A

3.04543006Q (x9) TAPPING SCREW - M3X6

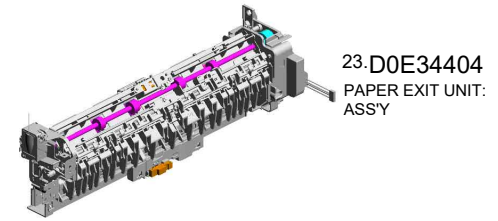
7.08050103 (x13) RETAINING RINGS -E:SILENCER:DIA3

22.D0BQ4425 DC STEPPER MOTOR:REVERSE:SUB-ASS'Y:(M3)

U001	U002	U003	U004	U005	U006	U007	U008	U009	U010	U011	U012	U013	U014	U015	U016	U017	U018	U019
------	------	------	------	------	------	------	------	------	------	------	------	------	------	------	------	------	------	------

U013\_S001  
PAPER EXIT UNIT:ASS'Y

42.D1494468 SHAFT:DRIVEN:REVERSE ROLLER  
 26.D0E34466 GUIDE PLATE:REVERSE:LOWER  
 46.D2024477 REVERSE ROLLER  
 47.D2414448 SHAFT:FEELER:OVERFLOW  
 41.D1494463 GROUND WIRE:SENSOR:REVERSE



23.D0E34404  
PAPER EXIT UNIT:  
ASS'Y

25.D0E34441  
GUIDE PLATE:EXIT  
:UPPER

44.D1494471  
(x2)  
SHAFT:DRIVEN:REVERSE ROLLER:OUTER

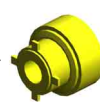
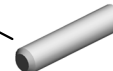
34.D1444484  
(x3)  
SHOULDER SCREW - M3

40.D1494434  
TENSION SPRING:  
LEVER:GATE PAWL

45.D1494484  
TORSION SPRING:  
LEVER:GATE PAWL



33.D0E34994 GUIDE PLATE:EXIT:LOWER  
 48.D2414461 GUIDE PLATE:REVERSE:UPPER  
 31.D0E34949 GUIDE:HARNES:REVERSE  
 43.D1494469 (x2) SPRING PLATE:ROLLER:DRIVEN:REVERSE ROLLER  
 38.D1494428 GROUND PLATE:PAPER EXIT UNIT



35.D1494421  
GEAR:EXIT ROLLER

36.D1494422  
GEAR:REVERSE ROLLER

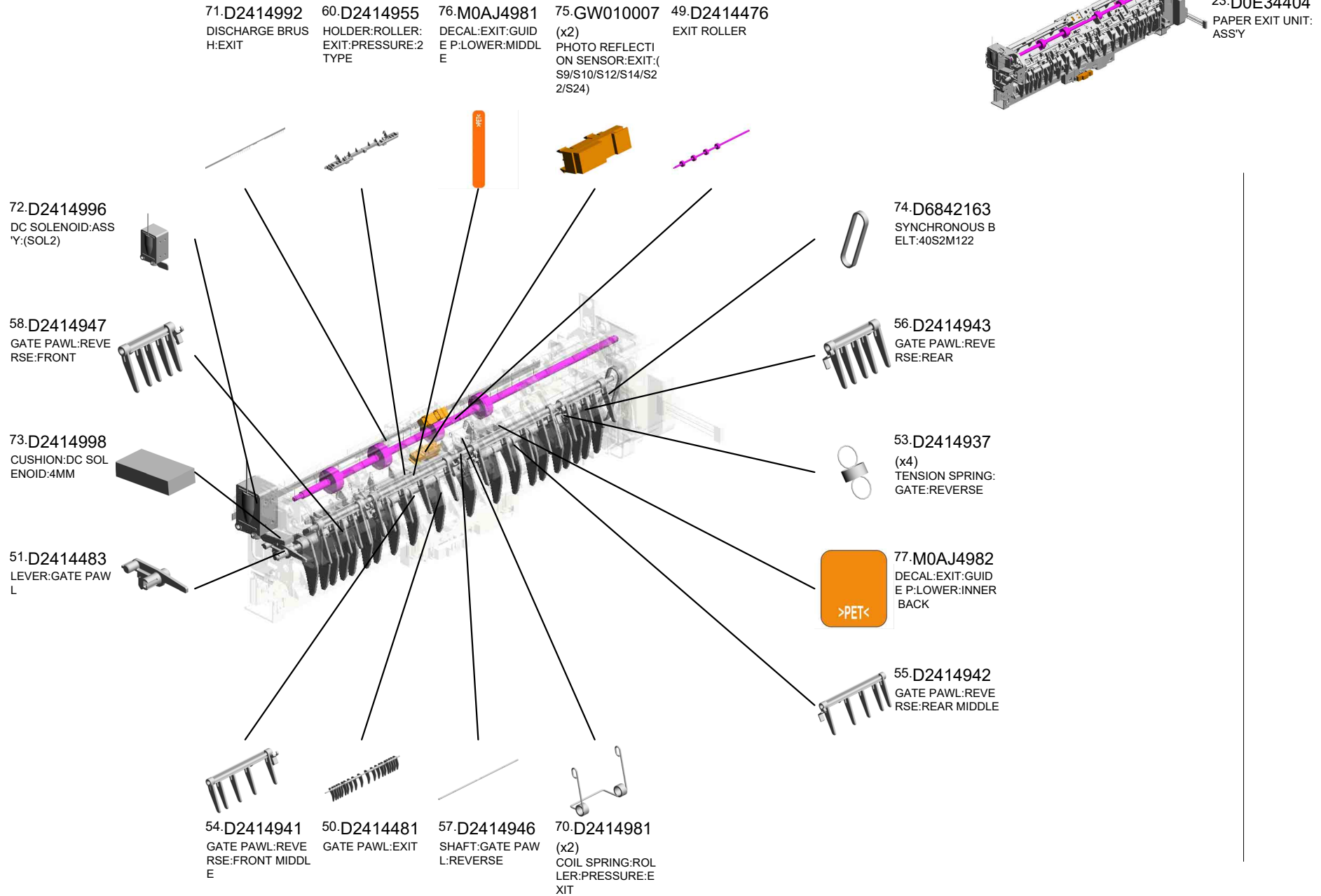
37.D1494427  
STUD:PULLEY:BRACKET:DC STEPPER MOTOR

39.D1494429  
PULLEY:GEAR:REVERSE

24.D0E34426  
BRACKET:DC STEPPER MOTOR:REVERSE

U001	U002	U003	U004	U005	U006	U007	U008	U009	U010	U011	U012	U013	U014	U015	U016	U017	U018	U019
------	------	------	------	------	------	------	------	------	------	------	------	------	------	------	------	------	------	------

# U013\_S001 PAPER EXIT UNIT:ASS'Y

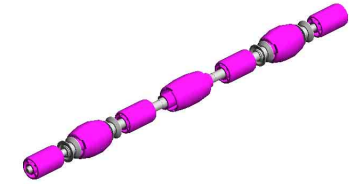


U001	U002	U003	U004	U005	U006	U007	U008	U009	U010	U011	U012	<b>U013</b>	U014	U015	U016	U017	U018	U019
------	------	------	------	------	------	------	------	------	------	------	------	-------------	------	------	------	------	------	------

U013\_S001\_S001

ROLLER:EXIT:PRESSURE:2TYPE:ASS'Y

63.D2414964 (x2) ROLLER:EXIT:PRESSURE  
 6.07200020G (x4) RETAINING RING - M2



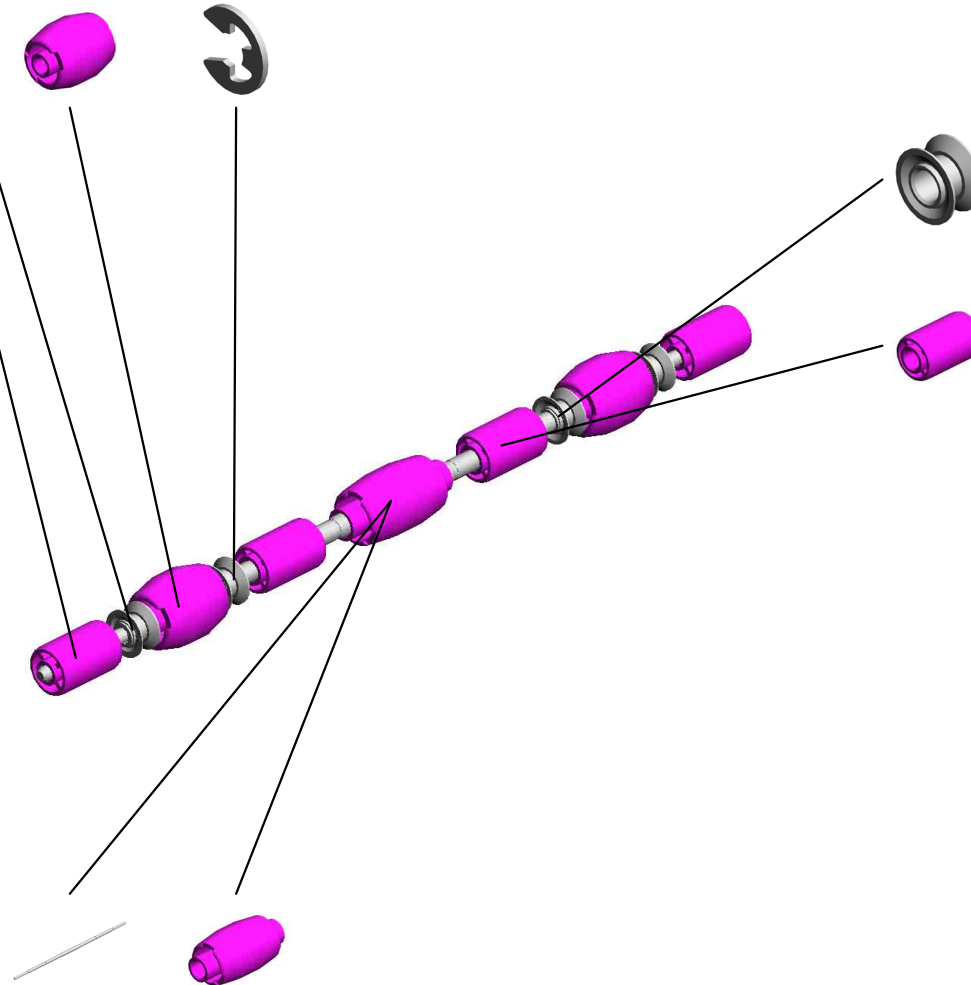
59.D2414950 ROLLER:EXIT:PRESSURE:2TYPE:ASS'Y

69.D2414978 (x2) COLLAR:ROLLER:EXIT:PRESSURE:BOTH ENDS

62.D2414962 (x2) ROLLER:DRIVEN:EXIT

64.D2414965 (x2) COLLAR:ROLLER:EXIT:PRESSURE

68.D2414977 (x2) ROLLER:DRIVEN:EXIT:MIDDLE

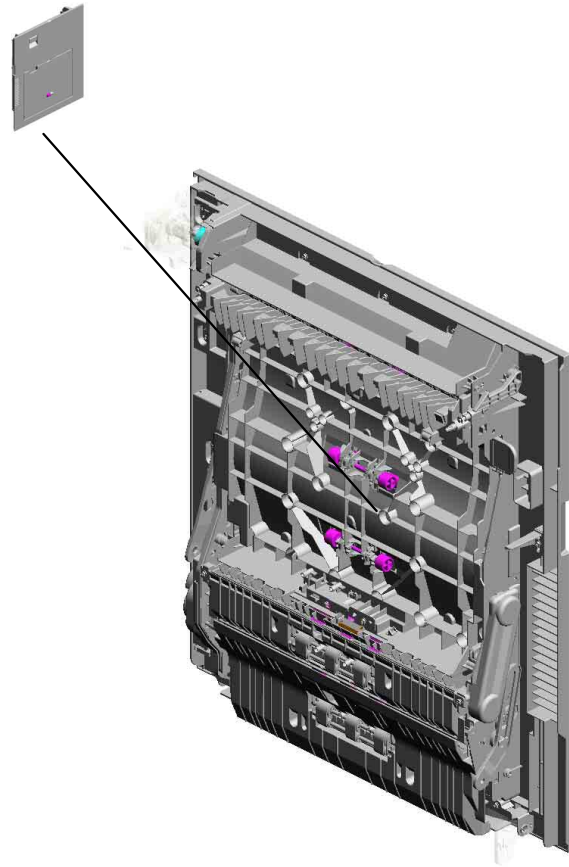


61.D2414957 SHAFT:ROLLER:PRESSURE:EXIT:2TYPE  
 67.D2414976 ROLLER:EXIT:PRESSURE:MIDDLE

U001	U002	U003	U004	U005	U006	U007	U008	U009	U010	U011	U012	U013	U014	U015	U016	U017	U018	U019
------	------	------	------	------	------	------	------	------	------	------	------	------	------	------	------	------	------	------

# U014.DUPLEX

U014 S001  
D0E34555  
DUPLEX UNIT:IMC3010-6010



U001	U002	U003	U004	U005	U006	U007	U008	U009	U010	U011	U012	U013	U014	U015	U016	U017	U018	U019
------	------	------	------	------	------	------	------	------	------	------	------	------	------	------	------	------	------	------



# U014\_S001.DUPLEX UNIT:IMC3010-6010

U014 S001 S003  
D0E32671  
GUIDE PLATE:VERTICAL TR  
ANSPORT:NO.1:DRIVEN:ASS  
Y

U014 S001 S002  
D0E34563  
MANUAL FEED TABLE:IMC20  
10-6010

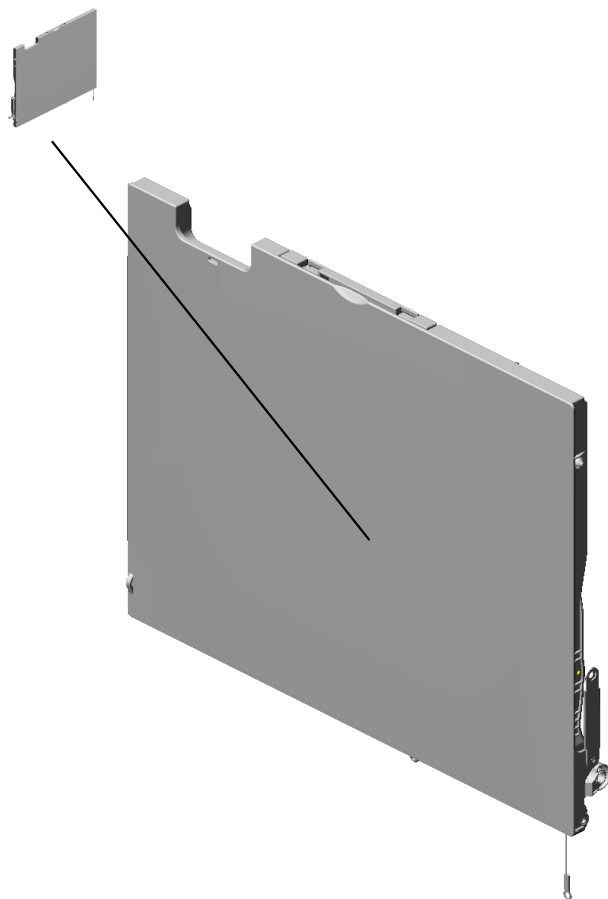
U014 S001 S001  
D0E32600  
MANUAL FEED UNIT:ASS'Y

U014 S001 S004  
D0E32672  
GUIDE PLATE:VERTICAL TR  
ANSPORT:NO.2:DRIVEN:ASS  
Y

U001	U002	U003	U004	U005	U006	U007	U008	U009	U010	U011	U012	U013	U014	U015	U016	U017	U018	U019
------	------	------	------	------	------	------	------	------	------	------	------	------	------	------	------	------	------	------

# U014\_S001\_S002.MANUAL FEED TABLE:IMC2010-6010

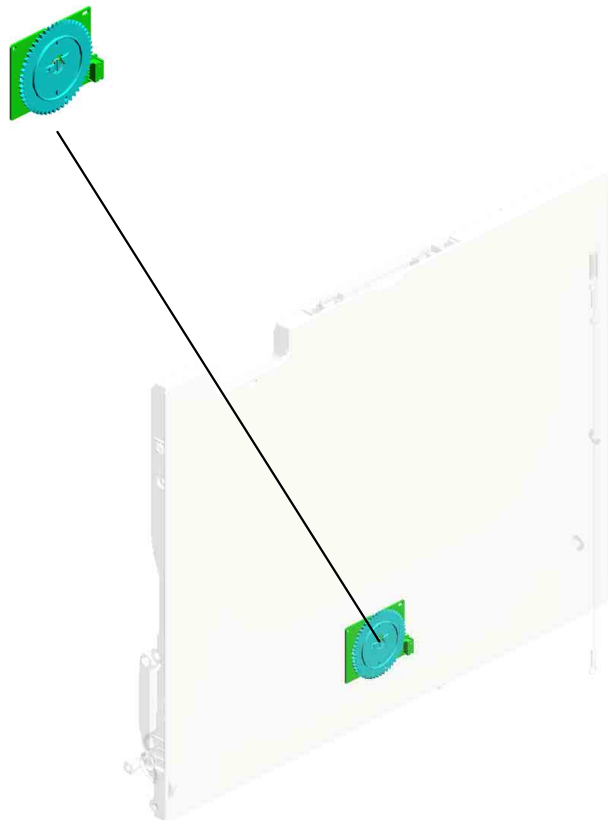
U014 S001 S002 S001  
D0E32603  
MANUAL FEED TABLE:ASS'Y



U001	U002	U003	U004	U005	U006	U007	U008	U009	U010	U011	U012	U013	U014	U015	U016	U017	U018	U019
------	------	------	------	------	------	------	------	------	------	------	------	------	------	------	------	------	------	------

# U014\_S001\_S002\_S001.MANUAL FEED TABLE:ASS'Y

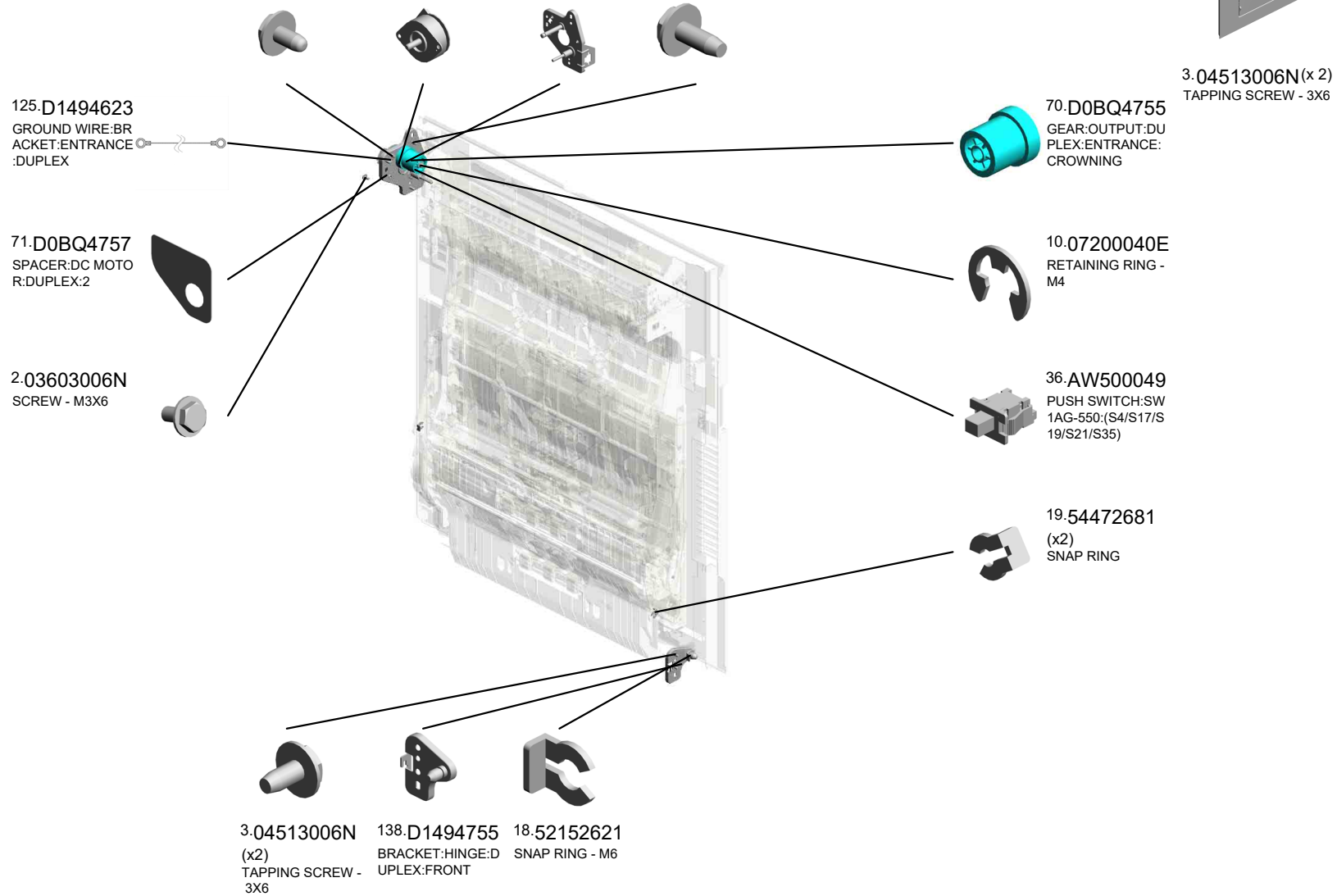
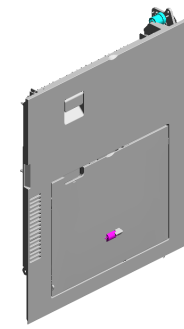
U014\_S001\_S002\_S001\_  
S001  
D0E34570  
PAPER SIZE SENSOR:SENS  
OR:IMC2010-6010:(S7)



U001	U002	U003	U004	U005	U006	U007	U008	U009	U010	U011	U012	U013	U014	U015	U016	U017	U018	U019
------	------	------	------	------	------	------	------	------	------	------	------	------	------	------	------	------	------	------

# U014 DUPLEX

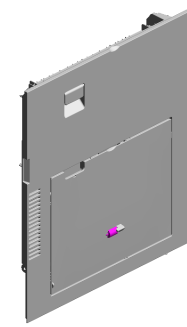
5.04543006Q TAPPING SCREW - M3X6  
 37.AX060464 DC MOTOR:ENCO DER:NO:10W:GEAR:BRUSHLESS:(M1)  
 182.D2414750 BRACKET:MOTOR: DUPLEX  
 7.04583008N (x3) HEXAGON HEAD TAPPING SCREW:3 X8



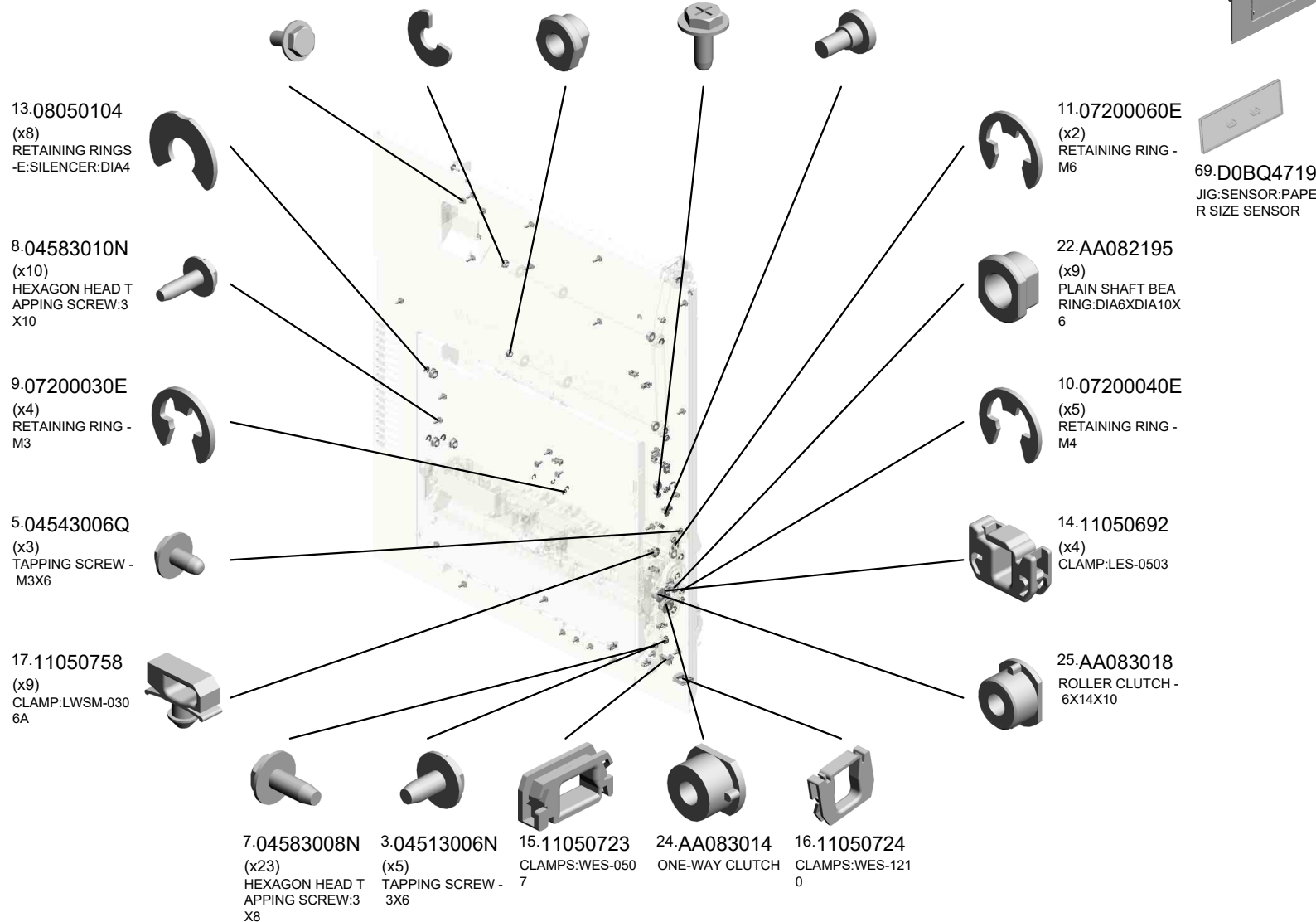
U001	U002	U003	U004	U005	U006	U007	U008	U009	U010	U011	U012	U013	U014	U015	U016	U017	U018	U019
------	------	------	------	------	------	------	------	------	------	------	------	------	------	------	------	------	------	------

U014\_S001  
 DUPLEX UNIT:IMC3010-6010

- 2.03603006N (x2) SCREW - M3X6
- 12.08050103 (x6) RETAINING RINGS -E:SILENCER:DIA3
- 21.AA082193 (x2) PLAIN SHAFT BEA RING:DIA4XDIA8X5
- 6.04543008Q (x2) TAPPING SCREW: -E:SILENCER:DIA3
- 28.AA143807 (x2) SCREW:A

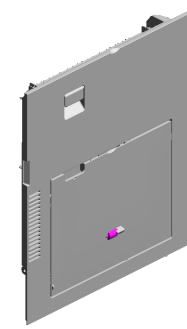


89.D0E34555  
 DUPLEX UNIT:IMC  
 3010-6010



U001	U002	U003	U004	U005	U006	U007	U008	U009	U010	U011	U012	U013	U014	U015	U016	U017	U018	U019
------	------	------	------	------	------	------	------	------	------	------	------	------	------	------	------	------	------	------

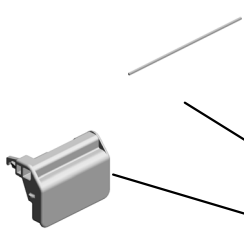
U014\_S001  
 DUPLEX UNIT:IMC3010-6010



89.D0E34555  
 DUPLEX UNIT:IMC  
 3010-6010

- 67.D0BQ4654 SHAFT:LEVER:LOCK
- 93.D0E34660 GUIDE PLATE:UPPER:RIGHT:DUPLEX
- 45.D0094487 (x2) COMPRESSION SPRING - GATE
- 35.AW020234 PHOTOINTERRUPTOR:GP1A173LCS5F:(S5/S6/S8/S11/S13/S15/S23/S25/S32)
- 43.D0094455 (x2) CUSHION - DC SOLENOID

92.D0E34655 GRIP:DUPLEX UNIT



44.D0094485 (x2) BUSHING - GATE



49.D0394529 STOPPER:GUIDE PLATE:ROLLER:DRIVEN



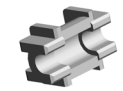
64.D0BQ4646 SYNCHRONOUS BELT:30S2M262



63.D0BQ4645 SYNCHRONOUS BELT:30S2M118



40.B2234552 (x4) BUSHING:DIA4



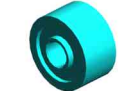
68.D0BQ4680 BRACKET:DRIVEN ROLLER:PRESSURE:PEEN



59.D0BQ2656 HOLDER:HARNES



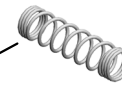
62.D0BQ4644 GEAR:MECHANICAL ROLLER CLUTCH



38.AX060507 DC MOTOR:ENCODER:NO:10W:GEAR:(M2/M4/M5/M6)



48.D0394525 (x2) COMPRESSION SPRING:SHAFT:GUIDE PLATE:EXIT



65.D0BQ4647 SYNCHRONOUS BELT:30S2M212



66.D0BQ4648 SYNCHRONOUS BELT:30S2M300



50.D0394597 (x4) TENSION SPRING:DRIVEN ROLLER

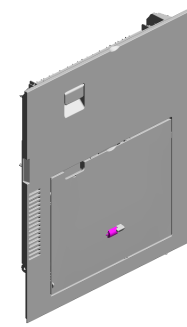


36.AW500049 PUSH SWITCH:SW1AG-550:(S4/S17/S19/S21/S35)



U001	U002	U003	U004	U005	U006	U007	U008	U009	U010	U011	U012	U013	U014	U015	U016	U017	U018	U019
------	------	------	------	------	------	------	------	------	------	------	------	------	------	------	------	------	------	------

U014\_S001  
 DUPLEX UNIT:IMC3010-6010



89.D0E34555  
 DUPLEX UNIT:IMC  
 3010-6010

101.D0E34715 DECAL:GRIP\_Z\_ 128.D1494656 HOOK:STOPPER:D  
 UPLEX UNIT:FRON  
 T 130.D1494658 COIL SPRING:LEV  
 ER:DUPLEX 108.D0E34995 GUIDE PLATE:UPP  
 ER 127.D1494653 TENSION SPRING:  
 SWIVEL



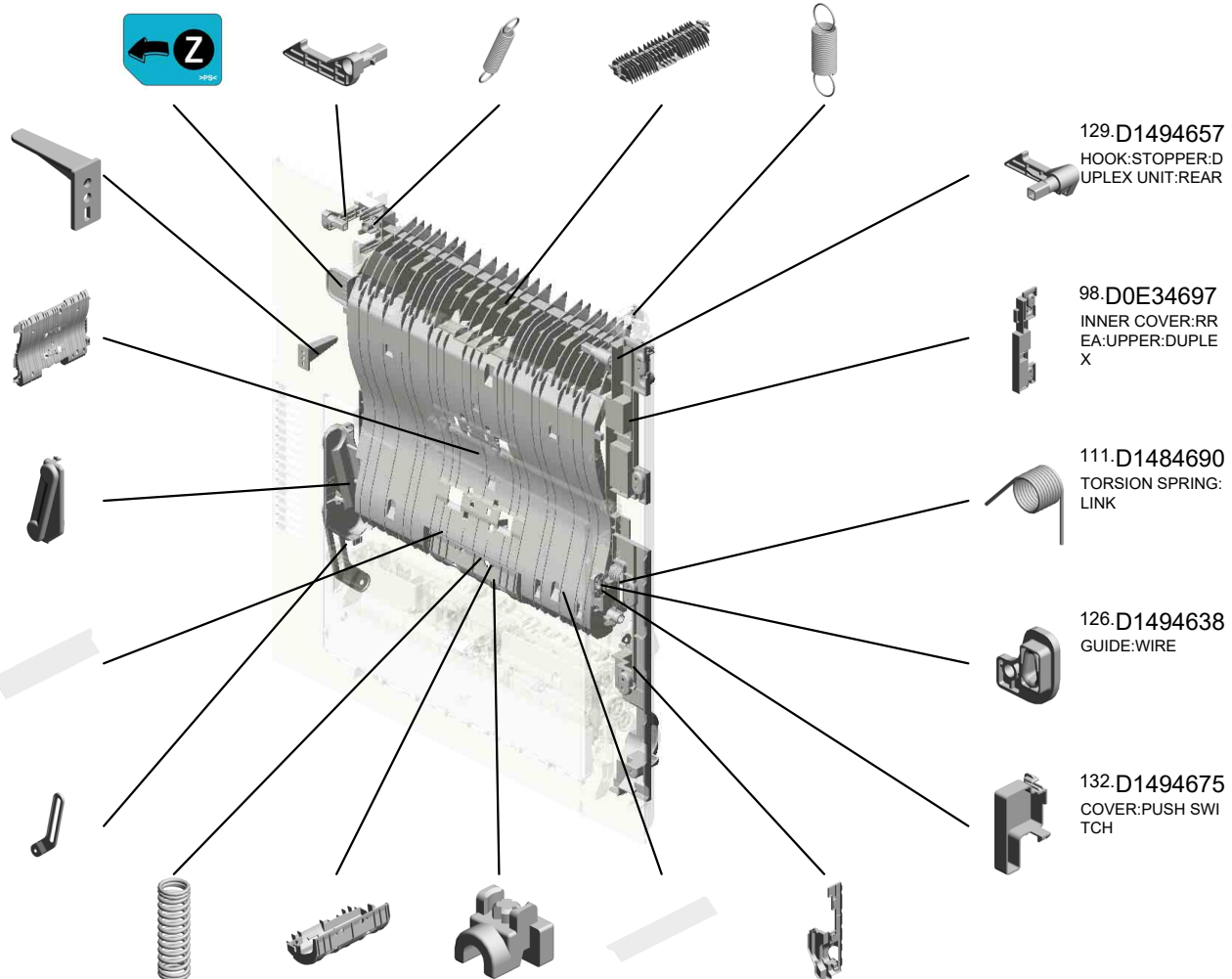
105.D0E34850  
 ARM:PUSH SWITC  
 H

94.D0E34673  
 GUIDE PLATE:DRI  
 VEN

95.D0E34693  
 INNER COVER:FR  
 ONT:DUPLEX

113.D1492558  
 GUIDE:REGISTRAT  
 ION:ENTRANCE:FR  
 ONT

96.D0E34695  
 LINK:FRONT\_MF4



129.D1494657  
 HOOK:STOPPER:D  
 UPLEX UNIT:REAR

98.D0E34697  
 INNER COVER:RR  
 EA:UPPER:DUPLE  
 X

111.D1484690  
 TORSION SPRING:  
 LINK

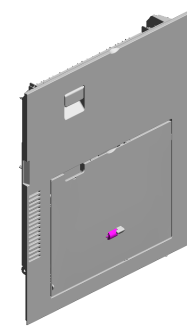
126.D1494638  
 GUIDE:WIRE

132.D1494675  
 COVER:PUSH SWI  
 TCH

131.D1494672 (x4) COMPRESSION SP  
 RING:DRIVEN 107.D0E34921 COVER:GUIDE PLA  
 TE:DRIVEN 104.D0E34737 (x4)  
 PLAIN SHAFT BEA  
 RING:DUPLEX:EXI  
 T 112.D1492557 GUIDE:REGISTRAT  
 ION:ENTRANCE:R  
 EAR 97.D0E34696 INNER COVER:RE  
 AR:LOWER:DUPLE  
 X\_

U001	U002	U003	U004	U005	U006	U007	U008	U009	U010	U011	U012	U013	U014	U015	U016	U017	U018	U019
------	------	------	------	------	------	------	------	------	------	------	------	------	------	------	------	------	------	------

U014\_S001  
 DUPLEX UNIT:IMC3010-6010



89.D0E34555  
 DUPLEX UNIT:IMC  
 3010-6010

- 173.D2414677 (x2) COMPRESSION SPRING:EXIT:UPPER
- 172.D2414676 (x2) LEVER:PRESSURE:DUPL
- 171.D2414652 GEAR:PULLEY:SWIVEL
- 170.D2414648 BRACKET:SWIVEL:PEEN
- 152.D2024692 (x2) SHAFT:PRESSURE:GUIDE PLATE:UPPER

148.D2024674  
 TORSION SPRING:  
 DUPLEX:ENTRANCE  
 SENSOR

147.D2024673  
 FEELER:DUPLX:ENTRANCE  
 SENSOR

166.D2414635  
 SHEET:CUSHION

169.D2414643  
 (x2)  
 TRANSPORT ROLLER:  
 ENTRANCE

168.D2414642  
 TRANSPORT ROLLER:  
 DUPLEX:1

164.D2414617  
 TRANSPORT ROLLER:  
 DUPLEX:2:DIA8

149.D2024679  
 DRIVEN ROLLER:  
 DIA16:DUPLX

165.D2414628  
 GUIDE PLATE:  
 DUPLEX:EXIT

150.D2024682  
 DRIVEN ROLLER:  
 DIA16

167.D2414640  
 TRANSPORT ROLLER:  
 EXIT:DIA8

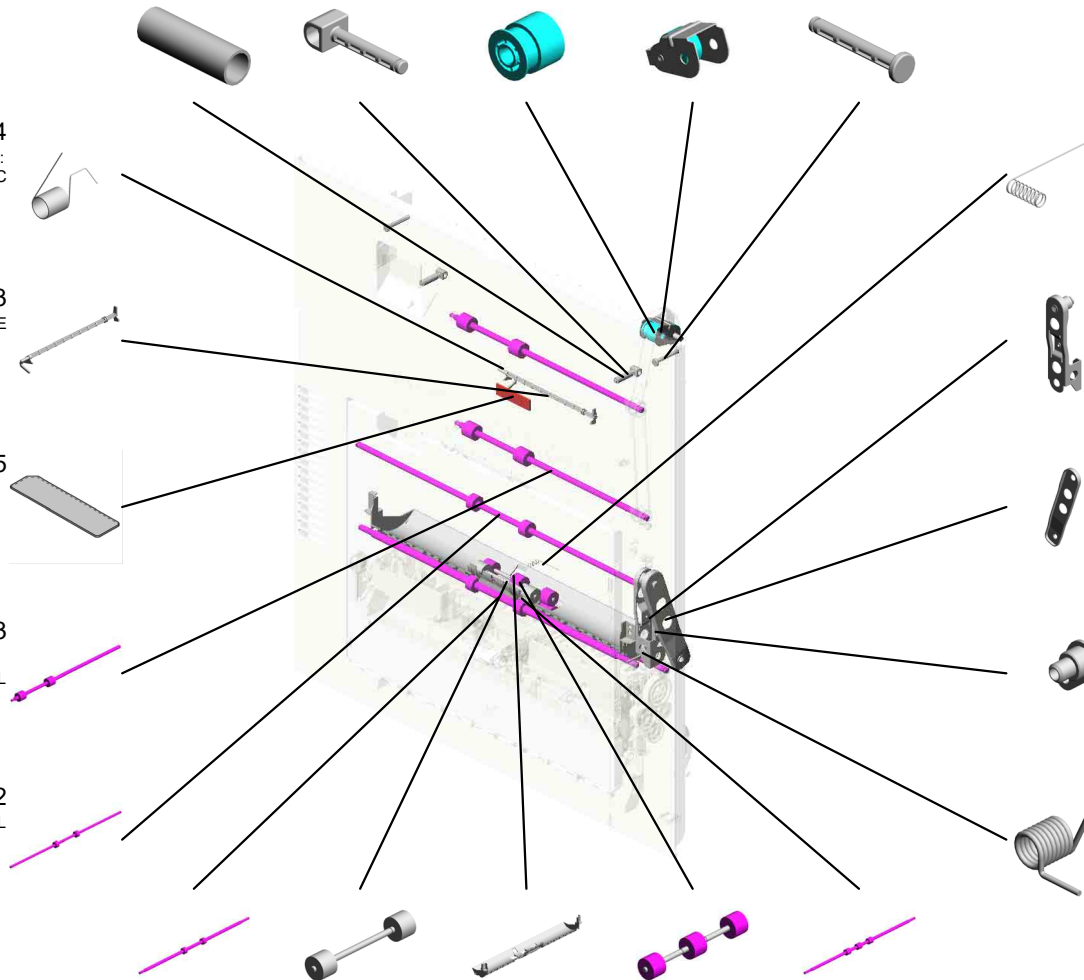
151.D2024684  
 GROUND WIRE:  
 BRACKET:DRIVEN  
 ROLLER

153.D2024722  
 LINK:DUPLX

134.D1494688  
 LINK:DUPLX:  
 MAIN

133.D1494677  
 STAY:CONTACT  
 POINT:GUIDE  
 PLATE:DRIVEN

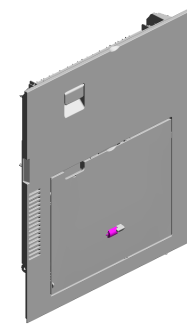
154.D2024726  
 TORSION SPRING:  
 LINK:CONTACT  
 POINT



U001	U002	U003	U004	U005	U006	U007	U008	U009	U010	U011	U012	U013	U014	U015	U016	U017	U018	U019
------	------	------	------	------	------	------	------	------	------	------	------	------	------	------	------	------	------	------



U014\_S001  
 DUPLEX UNIT:IMC3010-6010



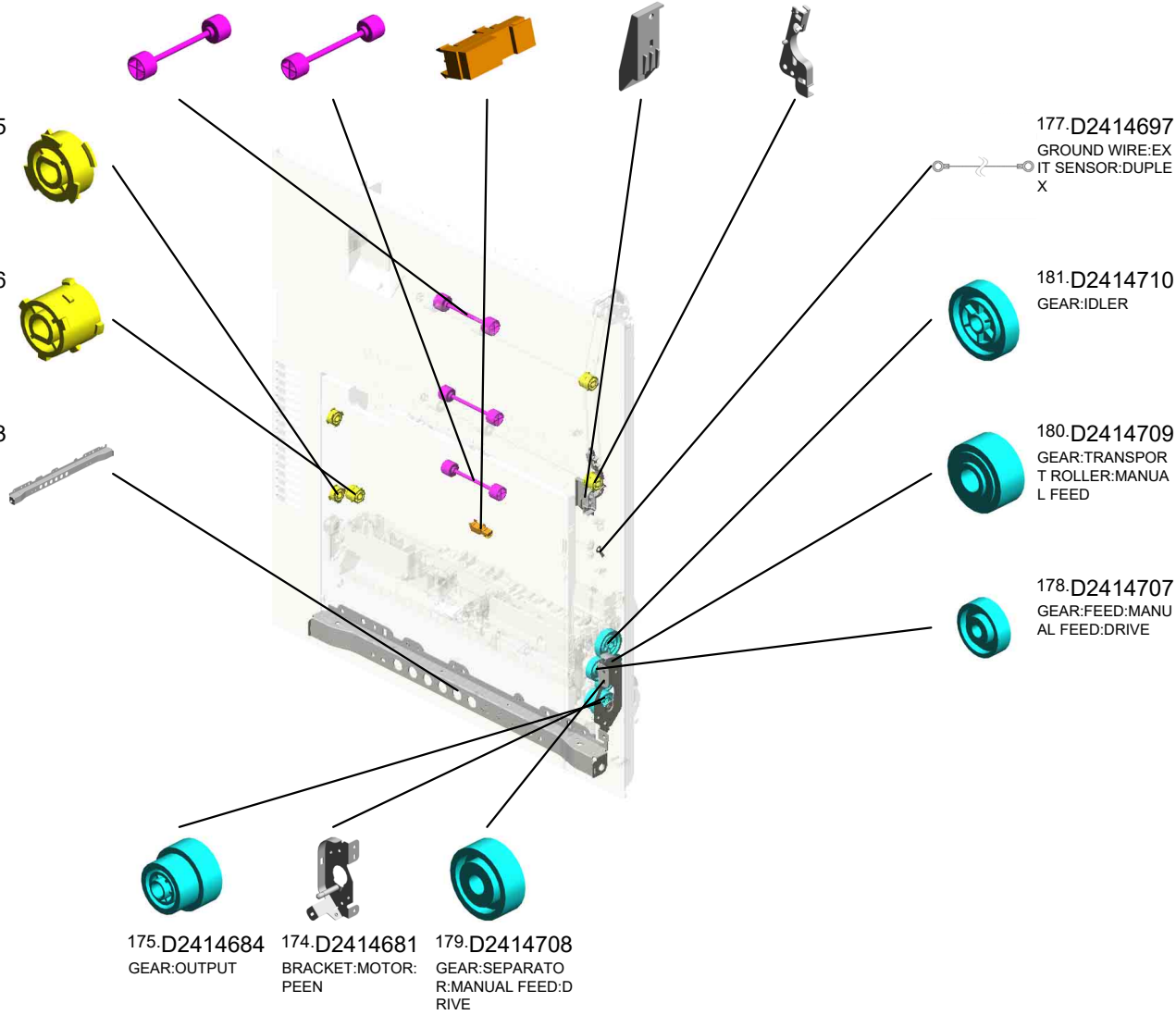
89.D0E34555  
 DUPLEX UNIT:IMC  
 3010-6010

184.D2414762 DRIVEN ROLLER:DI  
 IA18  
 183.D2414761 (x2)  
 DRIVEN ROLLER:DI  
 IA16  
 189.GW010007 PHOTO REFLECTI  
 ON SENSOR:EXIT:(  
 S9/S10/S12/S14/S2  
 2/S24)  
 176.D2414694 CAP:BELT:DUPLEX  
 185.D2414763 GUIDE:HARNES  
 S:ENTRANCE SENS  
 OR:DUPLEX

186.D2414765  
 (x2)  
 PULLEY:T26

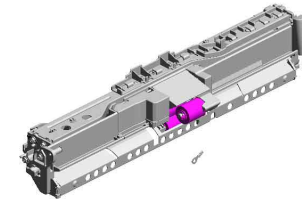
187.D2414766  
 (x3)  
 PULLEY:T26/T26

188.D2414923  
 STAY:CONTACT P  
 OINT:DUPLEX



U001	U002	U003	U004	U005	U006	U007	U008	U009	U010	U011	U012	U013	U014	U015	U016	U017	U018	U019
------	------	------	------	------	------	------	------	------	------	------	------	------	------	------	------	------	------	------

# U014\_S001\_S001 MANUAL FEED UNIT:ASS'Y



72.D0E32600  
MANUAL FEED UNI  
T:ASSY

- 3.04513006N (x2) TAPPING SCREW - 3X6
- 35.AW020234 PHOTOINTERRUP TOR:GP1A173LCS 5F:(S5/S6/S8/S11/S13/S15/S23/S25/S32)
- 33.AF031046 FEED ROLLER - M ANUAL FEED
- 13.08050104 (x7) RETAINING RINGS -E:SILENCER:DIA4
- 1.03530030N (x2) SCREW:M3X3

26.AA100014 (x2) RETAINING RING C - SEPARATE

21.AA082193 PLAIN SHAFT BEARING RING:DIA4XDIA8X5

7.04583008N (x3) HEXAGON HEAD TAPPING SCREW:3 X8

12.08050103 (x6) RETAINING RINGS -E:SILENCER:DIA3

27.AA143579 (x2) SCREW - M3

4.04513008N (x5) TAPPING SCREW - M3X8

14.11050692 CLAMP:LES-0503

8.04583010N (x4) HEXAGON HEAD TAPPING SCREW:3 X10

17.11050758 CLAMP:LWSM-030 6A

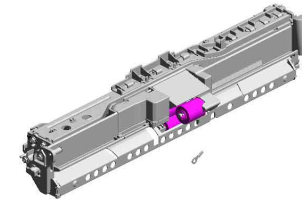
20.AA082191 (x2) BUSHING:DIA6XDI A10X6:EG-1-J

- 34.AF032046 SEPARATION ROLLER - MANUAL FEED
- 23.AA082198 BUSHING:DIA6XDI A10X9:EG-1-J
- 30.AB011252 GEAR - 20Z
- 32.AF030049 PICK-UP ROLLER
- 29.AB010157 GEAR:SEPARATE:DRIVEN

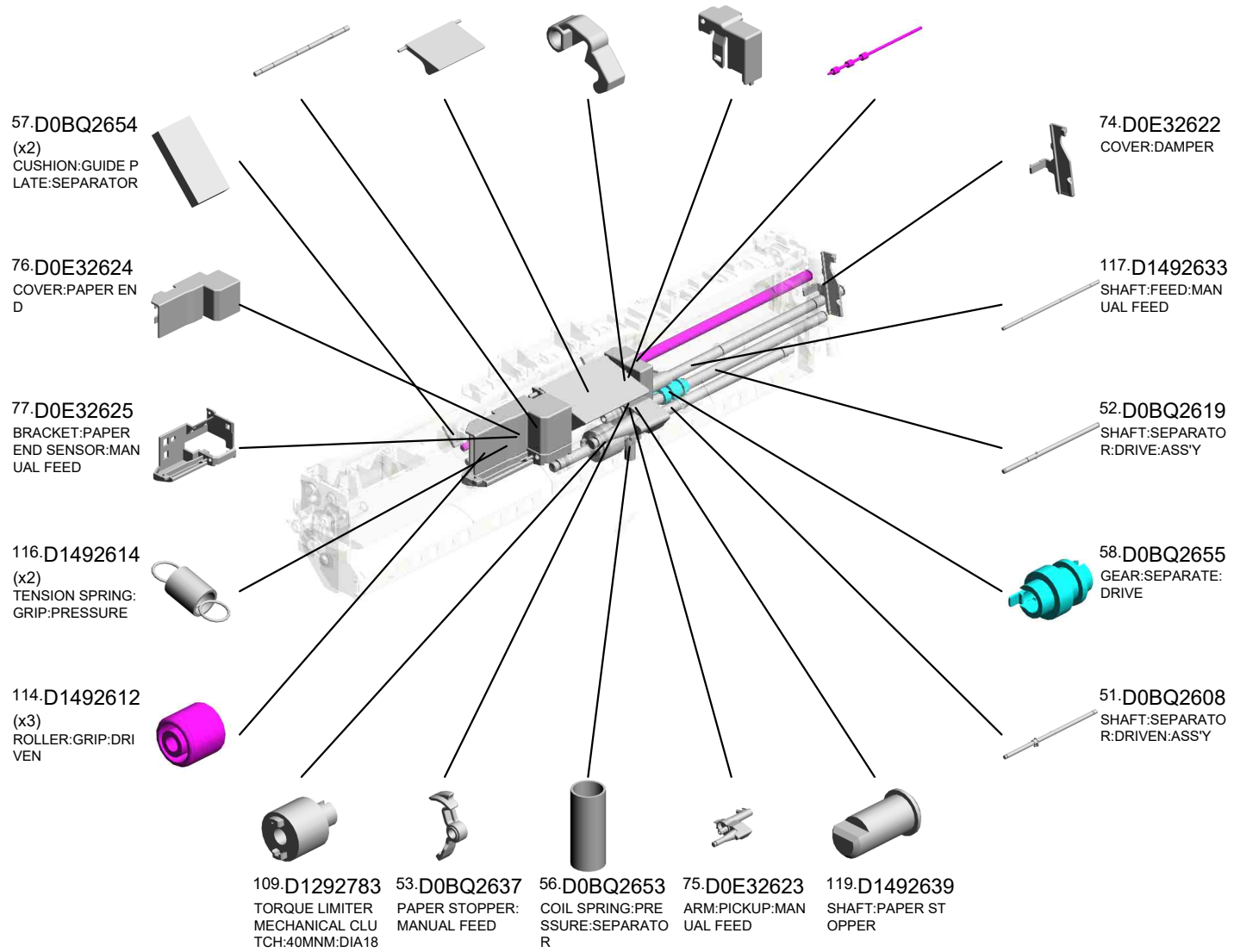
U001	U002	U003	U004	U005	U006	U007	U008	U009	U010	U011	U012	U013	U014	U015	U016	U017	U018	U019
------	------	------	------	------	------	------	------	------	------	------	------	------	------	------	------	------	------	------

# U014\_S001\_S001 MANUAL FEED UNIT:ASS'Y

- 115.D1492613 SHAFT:GRIP:DRIVEN
- 84.D0E32658 COVER:PAPER FEED ROLLER
- 54.D0BQ2638 LINK:PAPER STOPPER:MANUAL FEED
- 80.D0E32641 COVER:PAPER STOPPER:MANUAL FEED
- 118.D1492635 TRANSPORT ROLLER:MANUAL FEED



72.D0E32600  
MANUAL FEED UNIT:ASS'Y



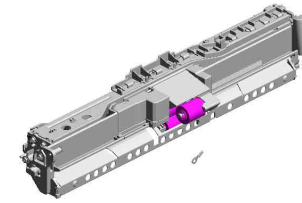
U001	U002	U003	U004	U005	U006	U007	U008	U009	U010	U011	U012	U013	U014	U015	U016	U017	U018	U019
------	------	------	------	------	------	------	------	------	------	------	------	------	------	------	------	------	------	------

U014\_S001\_S001  
 MANUAL FEED UNIT:ASS'Y

141.D2022614 COIL SPRING:REL  
 EASE:PICKUP:MAN  
 UAL FEED

120.D1492642 SHAFT:LINK:PAPE  
 R STOPPER

157.D2412644 TORSION SPRING:  
 LINK:PAPER STOP  
 PER



72.D0E32600  
 MANUAL FEED UNI  
 T:ASS'Y

158.D2412652  
 GROUND PLATE:S  
 HAFT:FEED



121.D1492655  
 FEELER:PAPER E  
 ND SENSOR



122.D1492656  
 TORSION SPRING:  
 PAPER END SENS  
 OR



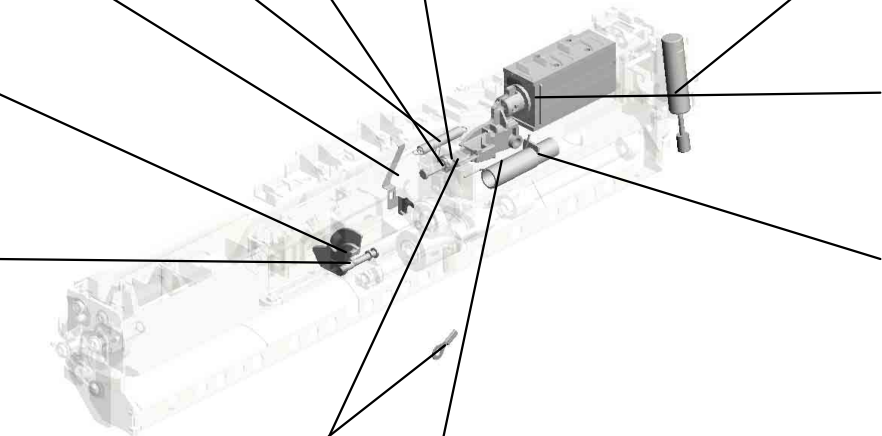
191.M0662749  
 OIL DAMPER:STRA  
 IGH:30N



155.D2412612  
 DC SOLENOID:PIC  
 KUP:ASS'Y:(SOL1)



143.D2022620  
 SHOE:TORSION S  
 PRING:PICKUP



159.D2412657 GROUND WIRE:MA  
 NUAL FEED UNIT:  
 REAR

156.D2412643 ARM:LINK:PAPER  
 STOPPER

142.D2022619 TORSION SPRING:  
 PICKUP



U001	U002	U003	U004	U005	U006	U007	U008	U009	U010	U011	U012	U013	U014	U015	U016	U017	U018	U019
------	------	------	------	------	------	------	------	------	------	------	------	------	------	------	------	------	------	------

U014\_S001\_S002  
MANUAL FEED TABLE:IMC2010-6010



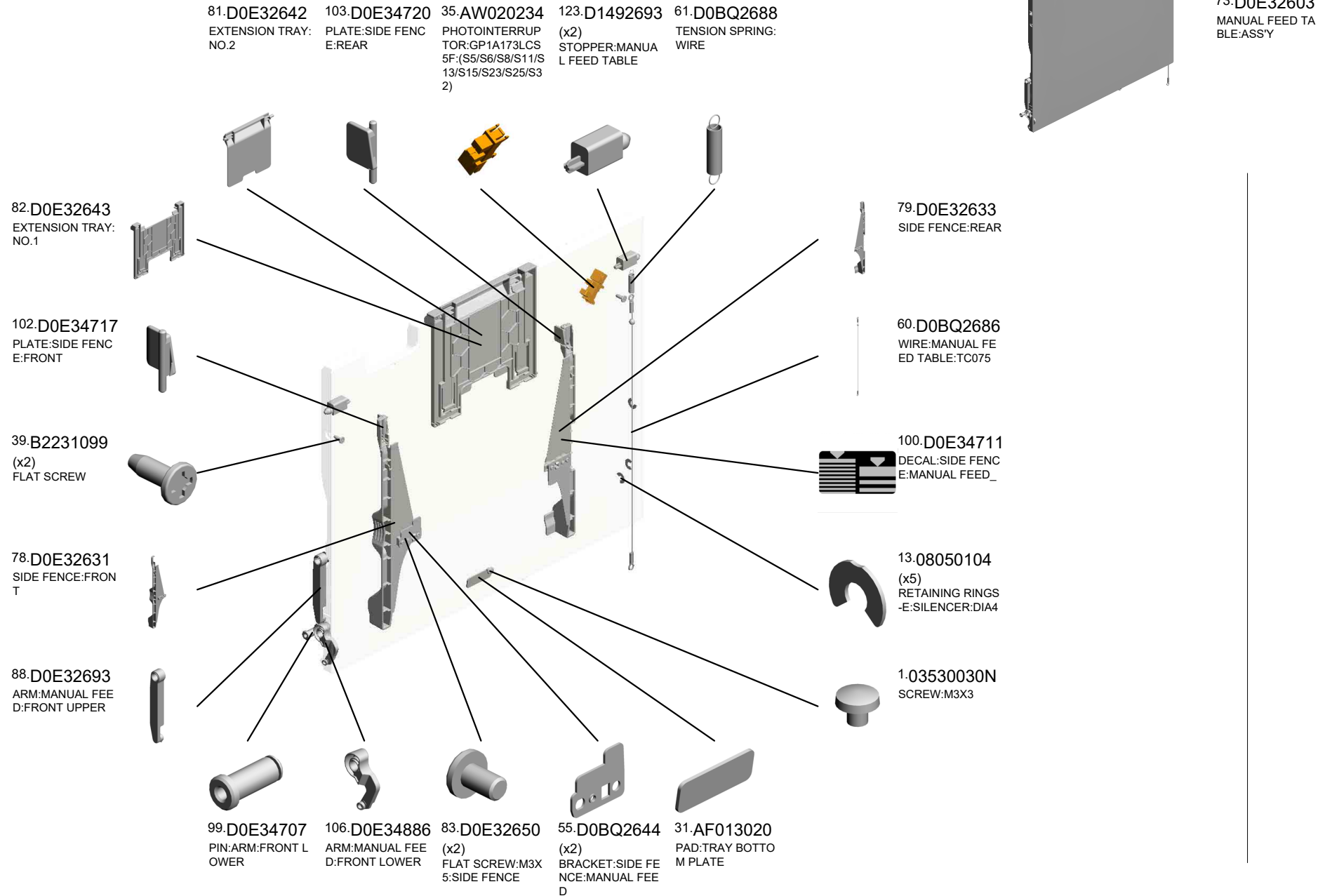
90.D0E34563  
MANUAL FEED TA  
BLE:IMC2010-6010



69.D0BQ4719  
JIG:SENSOR:PAPE  
R SIZE SENSOR

U001	U002	U003	U004	U005	U006	U007	U008	U009	U010	U011	U012	U013	U014	U015	U016	U017	U018	U019
------	------	------	------	------	------	------	------	------	------	------	------	------	------	------	------	------	------	------

U014\_S001\_S002\_S001  
MANUAL FEED TABLE:ASS'Y



U001	U002	U003	U004	U005	U006	U007	U008	U009	U010	U011	U012	U013	U014	U015	U016	U017	U018	U019
------	------	------	------	------	------	------	------	------	------	------	------	------	------	------	------	------	------	------

U014\_S001\_S002\_S001  
 MANUAL FEED TABLE:ASS'Y

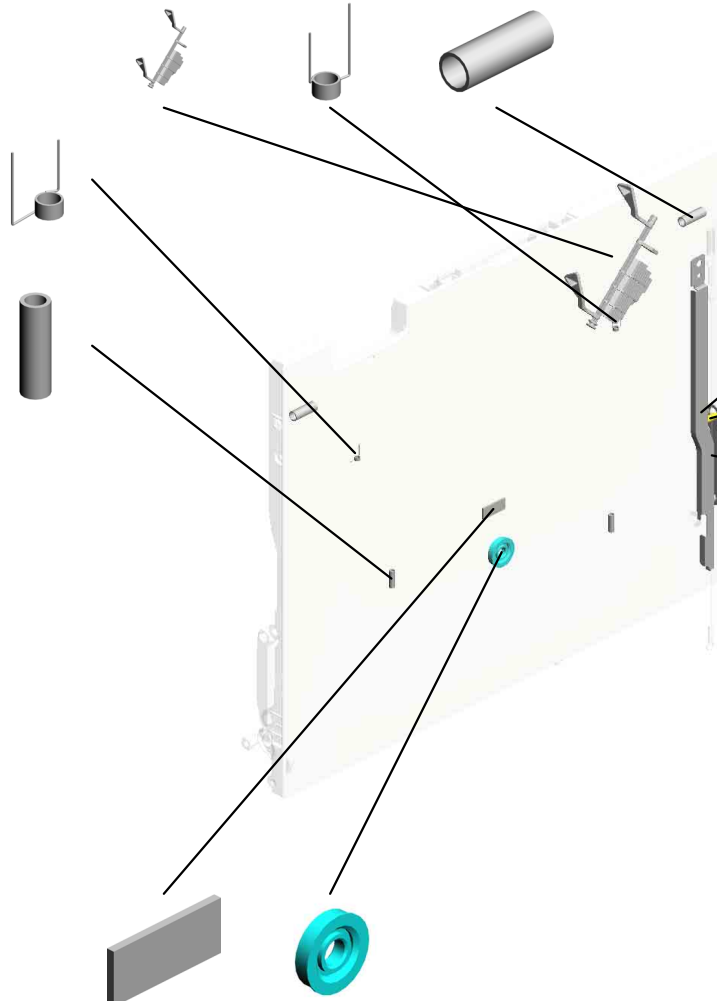
144.D2022638 FEELER:PAPER SIZE SENSOR:MANUAL FEED  
 136.D1494721 TORSION SPRING:SIDE FENCE:REAR  
 124.D1492694 (x2) COMPRESSION SPRING:STOPPER:MANUAL FEED TABLE



73.D0E32603  
 MANUAL FEED TABLE:ASS'Y

135.D1494718  
 TORSION SPRING:SIDE FENCE:FRONT

137.D1494731  
 (x2)  
 COMPRESSION SPRING:RACK:MANUAL FEED



163.D2412682  
 STAY:REAR:MANUAL FEED TABLE

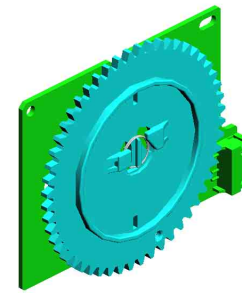
145.D2022642  
 PULLEY:WIRE:MANUAL FEED TABLE

146.D2022646  
 ARM:MANUAL FEED:REAR UPPER

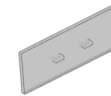
190.M0662743 FRICTION PAD:MANUAL FEED TABLE:18X7.5  
 140.D1502666 GEAR:SIDE FENCE:MANUAL FEED TABLE

U001	U002	U003	U004	U005	U006	U007	U008	U009	U010	U011	U012	U013	U014	U015	U016	U017	U018	U019
------	------	------	------	------	------	------	------	------	------	------	------	------	------	------	------	------	------	------

U014\_S001\_S002\_S001\_S001  
PAPER SIZE SENSOR:SENSOR:IMC2010-6010:(S7)



91.D0E34570  
PAPER SIZE SENS  
OR:SENSOR:IMC2  
010-6010:(S7)



69.D0BQ4719  
JIG:SENSOR:PAPE  
R SIZE SENSOR

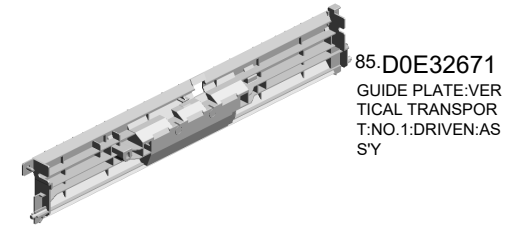
U001	U002	U003	U004	U005	U006	U007	U008	U009	U010	U011	U012	U013	U014	U015	U016	U017	U018	U019
------	------	------	------	------	------	------	------	------	------	------	------	------	------	------	------	------	------	------



U014\_S001\_S003

GUIDE PLATE:VERTICAL TRANSPORT:NO.1:DRIVEN:ASS'Y

41.D0092573 (x3) PULLEY - VERTICAL TRANSPORT  
162.D2412678 SHAFT:FLAT CONVEYER BELT:DRIVEN  
87.D0E32673 GUIDE PLATE:VERTICAL TRANSPORT:NO.1:DRIVEN



139.D1494777 (x2) COMPRESSION SPRING:FLAT CONVEYER BELT:DRIVEN

110.D1444489 (x2) STOPPER:DRIVEN ROLLER

7.04583008N (x2) HEXAGON HEAD TAPPING SCREW:3X8

42.D0092574 (x3) PULLEY - IDLER

46.D0292677 (x3) TRANSPORT BELT:DRIVEN:VERTICAL TRANSPORT

47.D0392993 SHAFT:TRANSPORT BELT:PULLEY  
161.D2412676 HOLDER:DRIVEN:BELT

U001	U002	U003	U004	U005	U006	U007	U008	U009	U010	U011	U012	U013	U014	U015	U016	U017	U018	U019
------	------	------	------	------	------	------	------	------	------	------	------	------	------	------	------	------	------	------

U014\_S001\_S004

GUIDE PLATE:VERTICAL TRANSPORT:NO.2:DRIVEN:ASS'Y

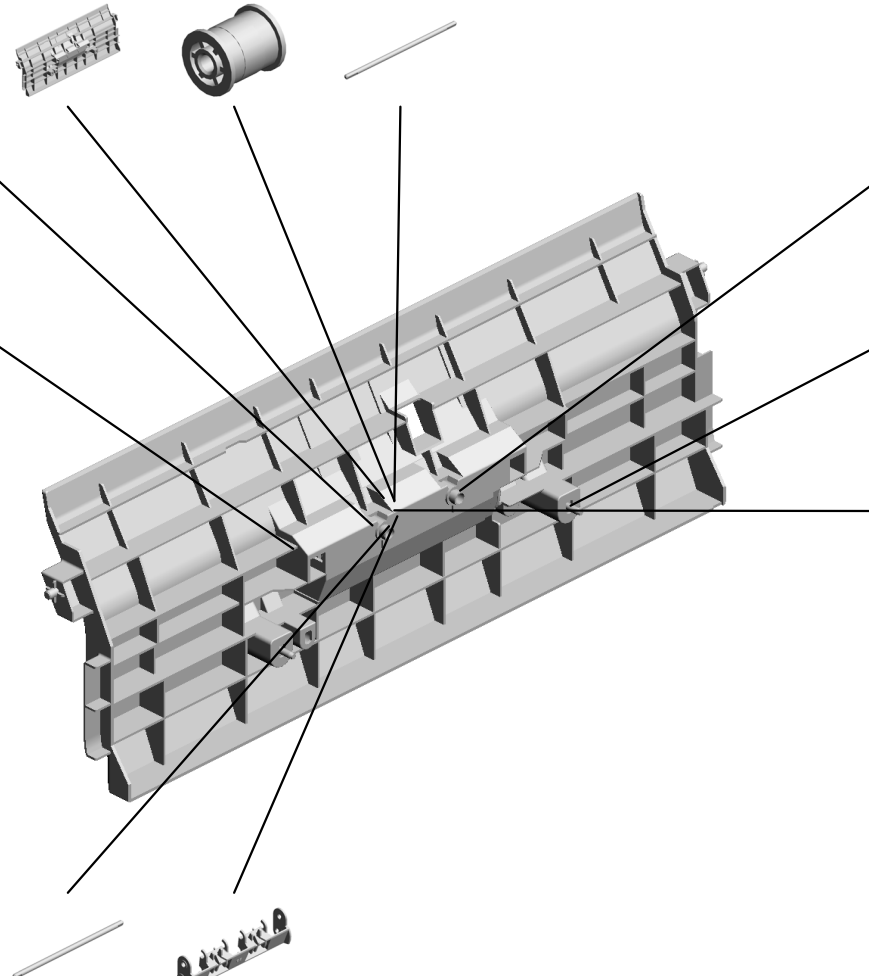
160.D2412674 GUIDE PLATE:VERTICAL TRANSPORT:NO.2:DRIVEN  
 41.D0092573 (x3) PULLEY - VERTICAL TRANSPORT  
 162.D2412678 SHAFT:FLAT CONVEYER BELT:DRIVEN



86.D0E32672 GUIDE PLATE:VERTICAL TRANSPORT:NO.2:DRIVEN:ASS'Y

139.D1494777 (x2) COMPRESSION SPRING:FLAT CONVEYER BELT:DRIVEN

110.D1444489 (x2) STOPPER:DRIVEN ROLLER



42.D0092574 (x3) PULLEY - IDLER

4.04513008N (x2) TAPPING SCREW - M3X8

46.D0292677 (x3) TRANSPORT BELT:DRIVEN:VERTICAL TRANSPORT

47.D0392993 SHAFT:TRANSPORT BELT:PULLEY  
 161.D2412676 HOLDER:DRIVEN:BELT

U001	U002	U003	U004	U005	U006	U007	U008	U009	U010	U011	U012	U013	U014	U015	U016	U017	U018	U019
------	------	------	------	------	------	------	------	------	------	------	------	------	------	------	------	------	------	------

# U015.MAIN DRIVE

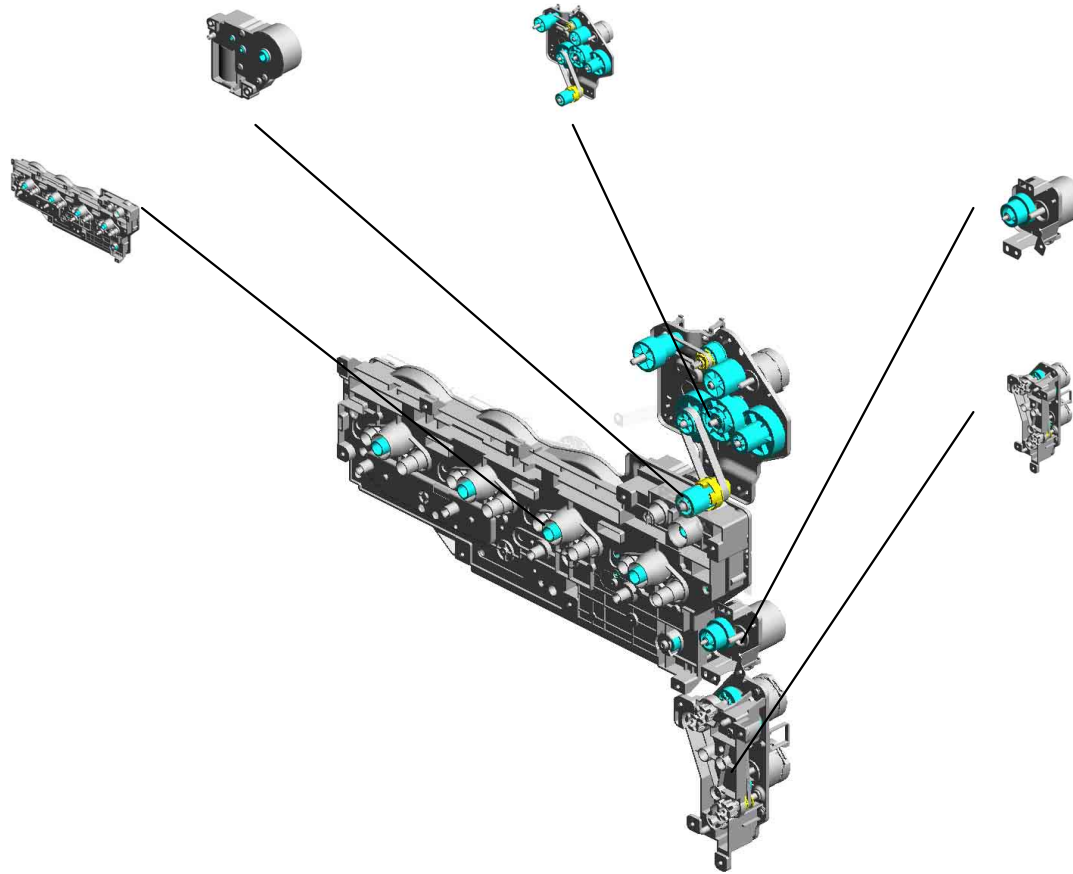
U015 S002  
D0F21199  
DRIVE UNIT:ON-OFF:TRANS  
FER:(M18)

U015 S004  
D0E31358  
DRIVE UNIT:FUSING/PAPER  
EXIT UNIT:ASSY

U015 S001  
D0E31117  
DRIVE UNIT:ENGINE:ASSY

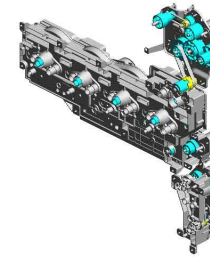
U015 S005  
D1491351  
DRIVE UNIT:REGISTRATION:  
ASS'Y

U015 S003  
D0E31399  
DRIVE UNIT:PAPER FEED:AS  
S'Y



U001	U002	U003	U004	U005	U006	U007	U008	U009	U010	U011	U012	U013	U014	U015	U016	U017	U018	U019
------	------	------	------	------	------	------	------	------	------	------	------	------	------	------	------	------	------	------

# U015 MAIN DRIVE



- 6.04543008Q (x9) TAPPING SCREW: 3X8
- 3.03603016N (x2) SCREW - M3X16
- 51.D1491394 GROUND PLATE:DRIVE UNIT:FUSING /PAPER EXIT UNIT
- 7.04583008N HEXAGON HEAD TAPPING SCREW:3X8
- 8.04583010N (x6) HEXAGON HEAD TAPPING SCREW:3X10

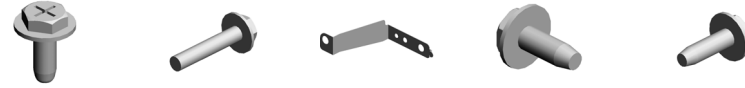
36.D0BQ1113  
GUIDE:HARNES:RIGHT



30.AX061001 (x2)  
DC BRUSHLESS MOTOR:40W:NMB:(M15/M16)



58.D2411115  
GUIDE:HARNES:LEFT



61.M0AJ1384  
BRACKET:INPUT:FUSING DRIVE UNIT



49.D1491387  
GROUND PLATE:DRIVE UNIT:ENGINE



31.AX061101  
DC BRUSHLESS MOTOR:25W:NMB:(M17)



4.04513006N (x2)  
TAPPING SCREW - 3X6



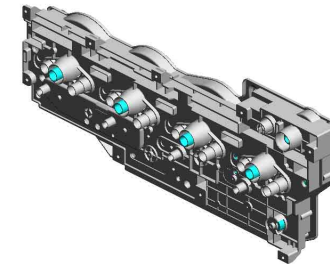
- 32.AX061221 DC BRUSHLESS MOTOR:25W:NID:DEVELOPMENT:BLACK:(M29)
- 2.03603006N (x19) SCREW - M3X6
- 5.04543006Q (x8) TAPPING SCREW - M3X6



U001	U002	U003	U004	U005	U006	U007	U008	U009	U010	U011	U012	U013	U014	U015	U016	U017	U018	U019
------	------	------	------	------	------	------	------	------	------	------	------	------	------	------	------	------	------	------

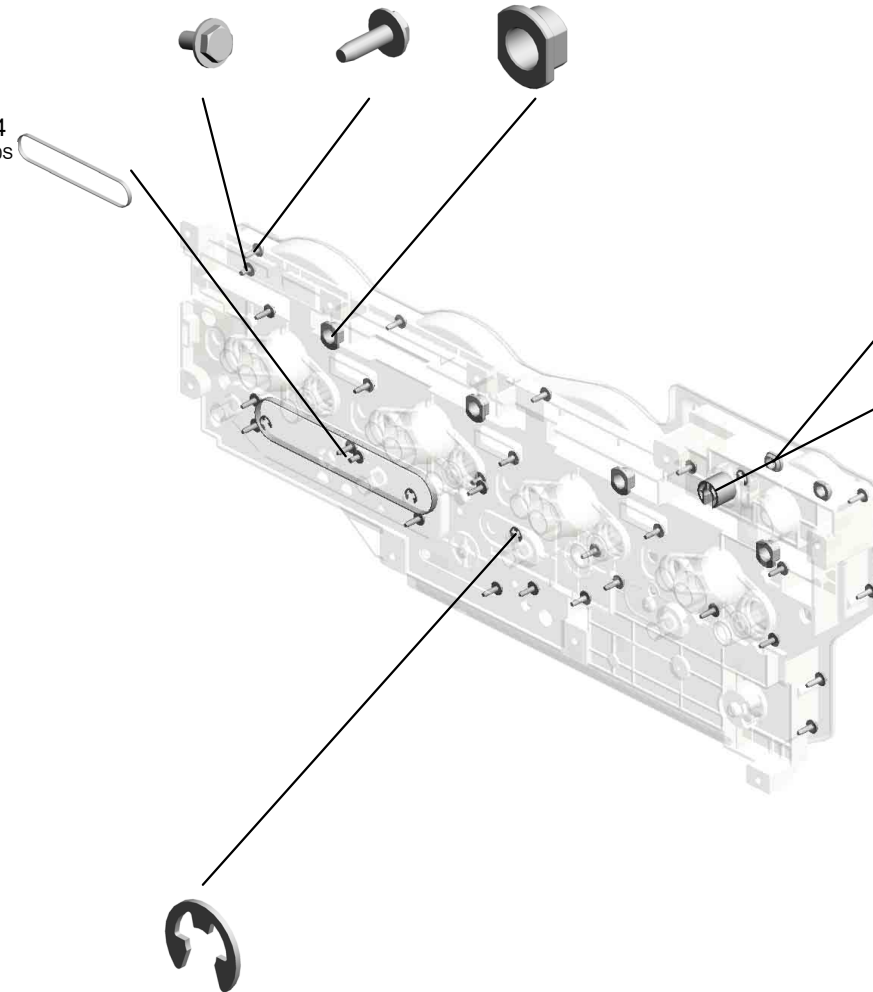
U015\_S001  
DRIVE UNIT:ENGINE:ASS'Y

2.03603006N (x3) SCREW - M3X6  
 8.04583010N (x25) HEXAGON HEAD TAPPING SCREW:3 X10  
 24.AA082175 (x4) PLAIN SHAFT BEARING RING:8X12X7



37.D0E31117  
DRIVE UNIT:ENGINE:ASS'Y

20.AA043634  
TIMING BELT - 40S  
2M296



11.07200040E  
(x5)  
RETAINING RING - M4

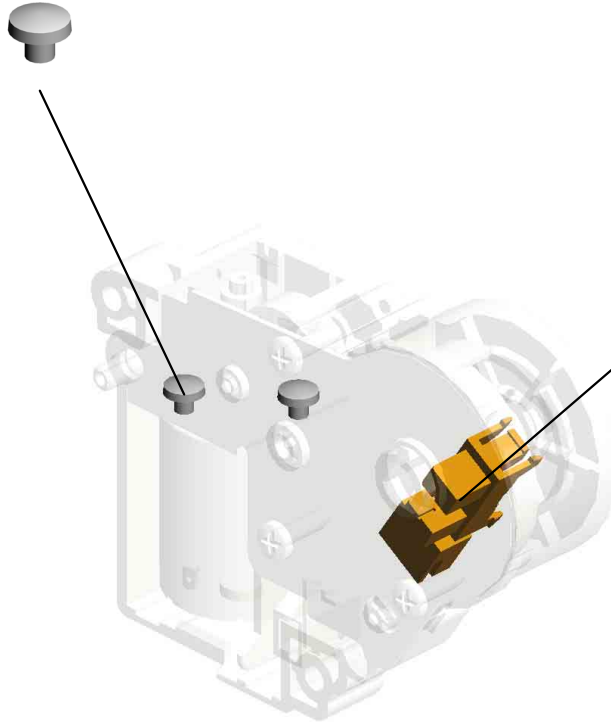
23.AA082172  
(x2)  
BUSHING:DIA6XDI  
A10X4:EG-1

34.B2231163  
JOINT:ON-OFF:INT  
ERMEDIATE TRANSFER

U001	U002	U003	U004	U005	U006	U007	U008	U009	U010	U011	U012	U013	U014	U015	U016	U017	U018	U019
------	------	------	------	------	------	------	------	------	------	------	------	------	------	------	------	------	------	------

U015\_S002  
DRIVE UNIT:ON-OFF:TRANSFER:(M18)

1-03530030N  
(x2)  
SCREW:M3X3



27-AW020234  
PHOTOINTERRUP  
TOR:GP1A173LCS  
5F:(S5/S6/S8/S11/S  
13/S15/S23/S25/S3  
2)



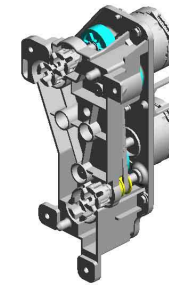
43.D0F21199  
[A]  
DRIVE UNIT:ON-OFF  
F:TRANSFER:(M18)  
202309-03 O/O



D0CH1199  
[A]  
DRIVE UNIT:ON-OFF  
F:TRANSFER:(M18)  
202309-03 O/O

U001	U002	U003	U004	U005	U006	U007	U008	U009	U010	U011	U012	U013	U014	U015	U016	U017	U018	U019
------	------	------	------	------	------	------	------	------	------	------	------	------	------	------	------	------	------	------

U015\_S003  
DRIVE UNIT:PAPER FEED:ASS'Y



42.D0E31399  
DRIVE UNIT:PAPE  
R FEED:ASS'Y

56.D2021193 (x2) STUD:PAPER FEE  
D:GRIP:ASS'Y  
2.03603006N (x9) SCREW - M3X6  
55.D2021191 GEAR:GRIP:NO.1  
9.06320100G (x2) PIN - 2X10MM  
25.AA082193 (x2) PLAIN SHAFT BEA  
RING:DIA4XDIA8X5

13.08050104 (x3) RETAINING RINGS  
-E:SILENCER:DIA4

39.D0E31194 PULLEY:FEED:NO.  
1:MECHANICAL RO  
LLER CLUTCH:T

50.D1491392 FLANGE:PAPER F  
EED:FEED

54.D2021143 (x4) JOINT:DRIVE

19.AA043623 TIMING BELT - B40  
S2M180

38.D0E31187 HOUSING:DRIVE U  
NIT:PAPER FEED:A  
SS'Y\_

22.AA080346 (x4) BUSHING:FLANGE  
TYPE:DIA6

40.D0E31196 GEAR:FEED:NO.2:  
MECHANICAL RO  
LLER CLUTCH:T

11.07200040E (x8) RETAINING RING -  
M4

26.AA082194 (x2) BUSHING:DIA6XDI  
A10X4:EG-1J

45.D1491197 GEAR:IDLER:PAPE  
R FEED:GRIP:NO.1

17.11050765 (x2) CLAMP:LWS-2218A

18.AA043000 SYNCHRONOUS B  
ELT:40S3M192

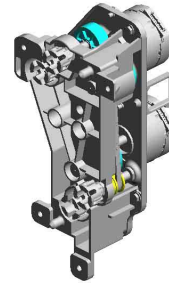
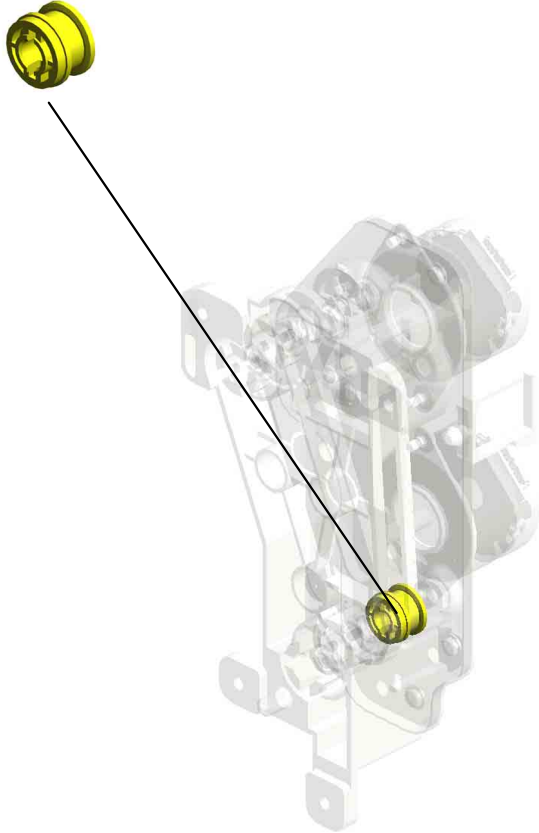
29.AX060507 (x2) DC MOTOR:ENCO  
DER:NO:10W:GEA  
R:(M2/M4/M5/M6)

44.D1491195 GEAR:IDLER:PAPE  
R FEED:FEED

U001	U002	U003	U004	U005	U006	U007	U008	U009	U010	U011	U012	U013	U014	U015	U016	U017	U018	U019
------	------	------	------	------	------	------	------	------	------	------	------	------	------	------	------	------	------	------

U015\_S003  
DRIVE UNIT:PAPER FEED:ASS'Y

57.D2021195  
PULLEY:GRIP:NO.2



42.D0E31399  
DRIVE UNIT:PAPE  
R FEED:ASS'Y

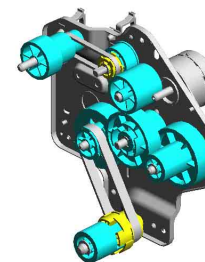
U001	U002	U003	U004	U005	U006	U007	U008	U009	U010	U011	U012	U013	U014	U015	U016	U017	U018	U019
------	------	------	------	------	------	------	------	------	------	------	------	------	------	------	------	------	------	------



U015\_S004

DRIVE UNIT:FUSING/PAPER EXIT UNIT:ASS'Y

- 35.D0894465 SYNCHRONOUS B  
ELT:S2M:136
- 16.11050763 (x2)  
CLAMP:LWS-1211A
- 52.D1491397 TORQUE LIMITER  
MECHANICAL CLU  
TCH:49MNM:DIA14
- 29.AX060507 DC MOTOR:ENCO  
DER:NO:10W:GEA  
R:(M2/M4/M5/M6)

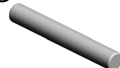


62.D0E31358  
DRIVE UNIT:FUSIN  
G/PAPER EXIT UNI  
T:ASSY

33.AX061222  
DC BRUSHLESS M  
OTOR:25W:NID:FU  
SING UNIT:(M8)



10.06320140G  
PARALLEL PIN



60.D2411396  
HOLDER:TORQUE  
LIMITER MECHANI  
CAL CLUTCH:PRE  
SSURE RELEASE



11.07200040E  
(x5)  
RETAINING RING -  
M4



2.03603006N  
(x7)  
SCREW - M3X6



53.D1751377  
GEAR:PRESSURE  
RELEASE:NO.3



15.11050760  
(x3)  
CLAMP:LWSM-051  
1A



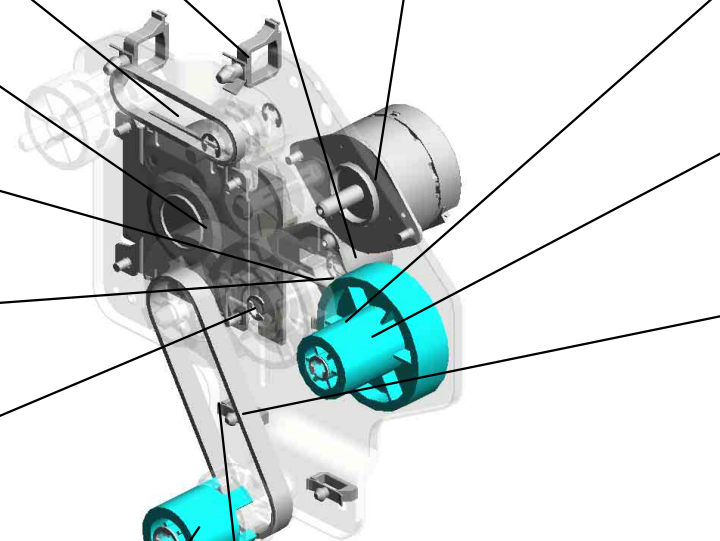
12.07200060E  
RETAINING RING -  
M6



59.D2411378  
GEAR:FUSING:NO.  
3



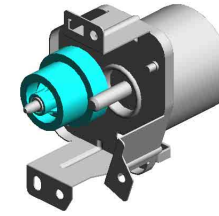
21.AA043777  
SYNCHRONOUS B  
ELT:80S3M213



U001	U002	U003	U004	U005	U006	U007	U008	U009	U010	U011	U012	U013	U014	U015	U016	U017	U018	U019
------	------	------	------	------	------	------	------	------	------	------	------	------	------	------	------	------	------	------

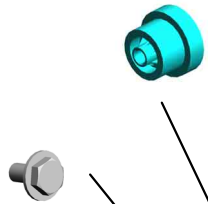
U015\_S005  
 DRIVE UNIT:REGISTRATION:ASS'Y

48.D1491355 47.D1491352  
 GEAR:REGISTRATI BRACKET:DRIVE U  
 ON:NO.1 NIT:REGISTRATIO  
 N:ASS'Y



46.D1491351  
 DRIVE UNIT:REGIS  
 TRATION:ASS'Y

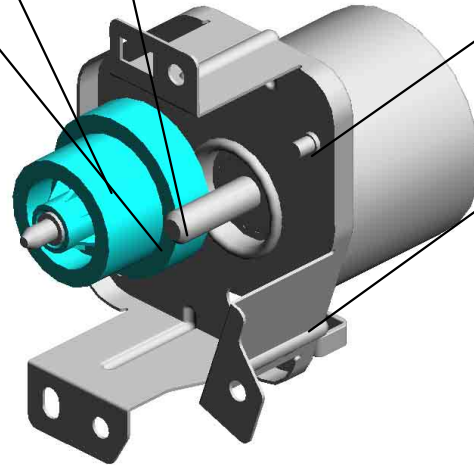
2.03603006N  
 (x2)  
 SCREW - M3X6



28.AX060435  
 DC MOTOR:GEAR:  
 10W:BRUSHLESS:(  
 M7)



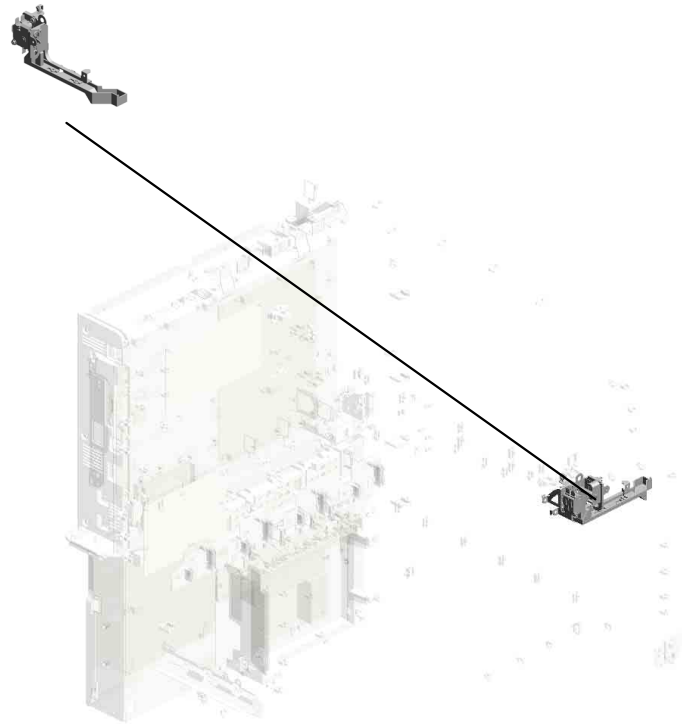
14.11050759  
 CLAMP:LWSM-060  
 5A



U001	U002	U003	U004	U005	U006	U007	U008	U009	U010	U011	U012	U013	U014	U015	U016	U017	U018	U019
------	------	------	------	------	------	------	------	------	------	------	------	------	------	------	------	------	------	------

# U016.ELECTRICAL

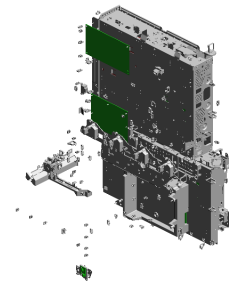
U016 S001  
D0BQR041  
SAFETY SWITCH:ASS'Y



U001	U002	U003	U004	U005	U006	U007	U008	U009	U010	U011	U012	U013	U014	U015	U016	U017	U018	U019
------	------	------	------	------	------	------	------	------	------	------	------	------	------	------	------	------	------	------

# U016 ELECTRICAL

- 10.04543020Q (x2) TAPPING SCREW:: 3X20
- 16.11036266 CONNECTOR:16R G022-3218
- 23.11050726 CLAMPS:WES-221 7
- 22.11050725 (x4) CLAMPS:WES-111 7
- 2.03603006N (x2) SCREW - M3X6



1.03530060N  
BIND SCREW - M3 X6



6.04543006N  
(x12) TAPPING SCREW: ROUND POINT:3X6



20.11050723  
(x4) CLAMPS:WES-050 7



15.11036252  
CONNECTOR:16R-GRM-DH3GB-RG-A



8.04543008Q  
(x4) TAPPING SCREW: 3X8



14.11035890  
CONNECTOR:QR/P 17-RC-14S

7.04543006Q (x49) TAPPING SCREW - M3X6

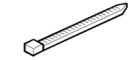
4.04513008N (x14) TAPPING SCREW - M3X8

11.04583008N (x24) HEXAGON HEAD TAPPING SCREW:3 X8

9.04543010Q (x5) TAPPING SCREW: 3X10



18.11050488  
(x3) HARNESS CLAMP



17.11050046  
(x118) HARNESS BAND

21.11050724  
(x3) CLAMPS:WES-121 0



19.11050692  
(x5) CLAMP:LES-0503



3.04513006N  
(x27) TAPPING SCREW - 3X6

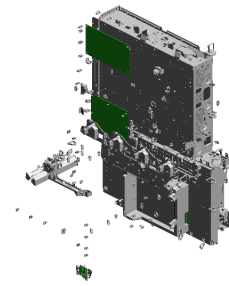


24.11050758  
(x9) CLAMP:LWSM-030 6A



# U016 ELECTRICAL

- 37.AX640236 FAN:MM60X15:(FAN4/FAN7)
- 55.D0E35114 BICU:ASSY:(PCB10)
- 47.D0C95150 PCB:SMB:SERVICE
- 43.D0BQ5802 GUIDE:HARNES:RACK
- 31.16072525 FERRITE CORE:K3 FF 35.00X14.60X7.70X1.40



39.AZ320237  
POWER PACK:TTS  
:H:(PCB16)



41.D0895887  
PANEL:INTERFAC  
E



50.D0E09591  
NVRAM



54.D0E15868  
COVER:FAX



27.11050762  
(x21)  
CLAMP:LWS-0711A



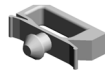
36.AA161167  
(x4)  
BUSHING:HDD



35.AA143848  
(x4)  
STEPPED SCREW  
- M3



26.11050760  
(x40)  
CLAMP:LWSM-051  
1A



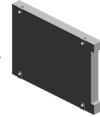
28.11050764  
(x8)  
CLAMP:LWS-1316A



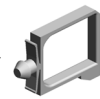
25.11050759  
(x46)  
CLAMP:LWSM-060  
5A



52.D0E15654  
ROM STORAGE:SS  
D SATA 256GB GE  
N2



29.11050765  
(x8)  
CLAMP:LWS-2218A



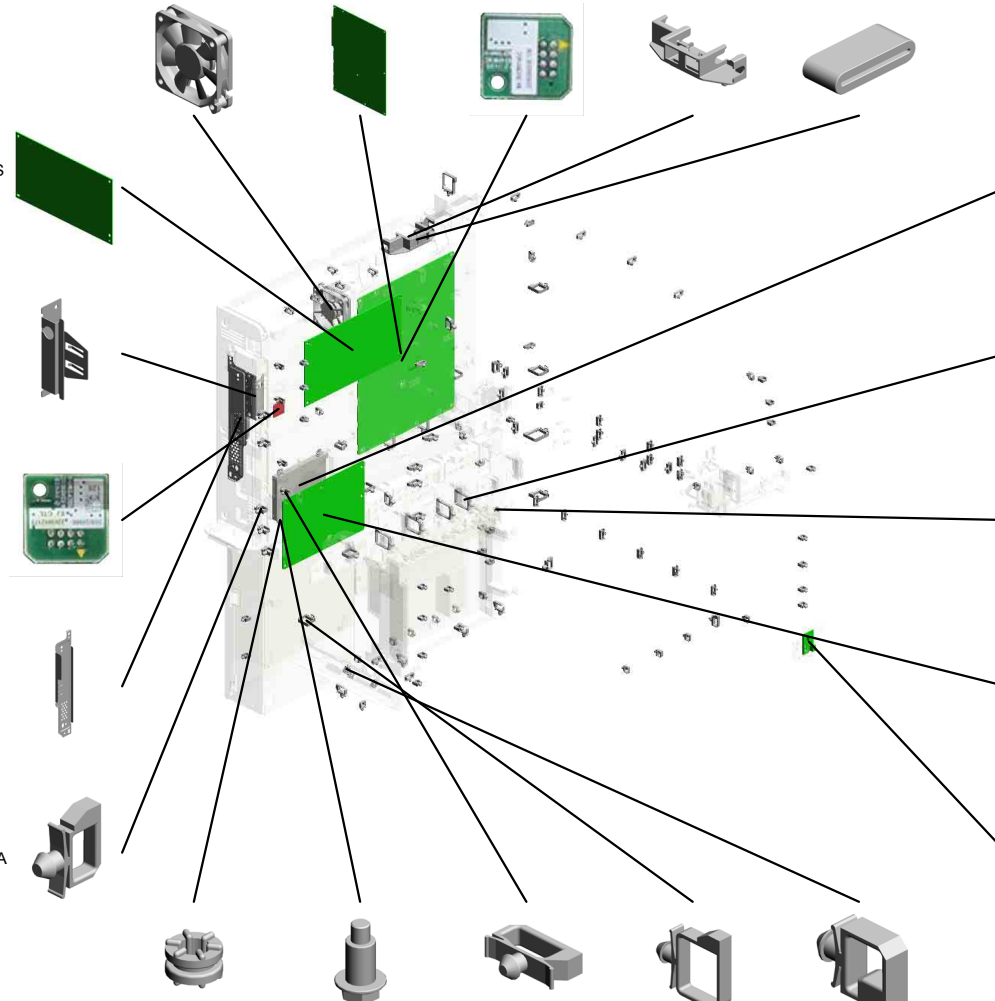
34.AA143592  
SCREW- M4X6



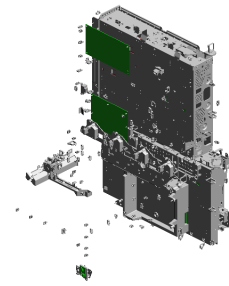
56.D0E35126  
PCB:IOB-EXTEND:(  
PCB2)



42.D0A45122  
PCB:DCSW:(SW4)



# U016 ELECTRICAL



- 82.D2415801 COVER:RACK:REA  
R
- 63.D0E35816 STAY:RACK:LOWE  
R
- 62.D0E35814 GUIDE:HARNESS:  
RACK:LOWER
- 81.D2415800 RACK:RIGHT:AUXI  
LIARY
- 61.D0E35810 BRACKET:RACK:U  
PPER

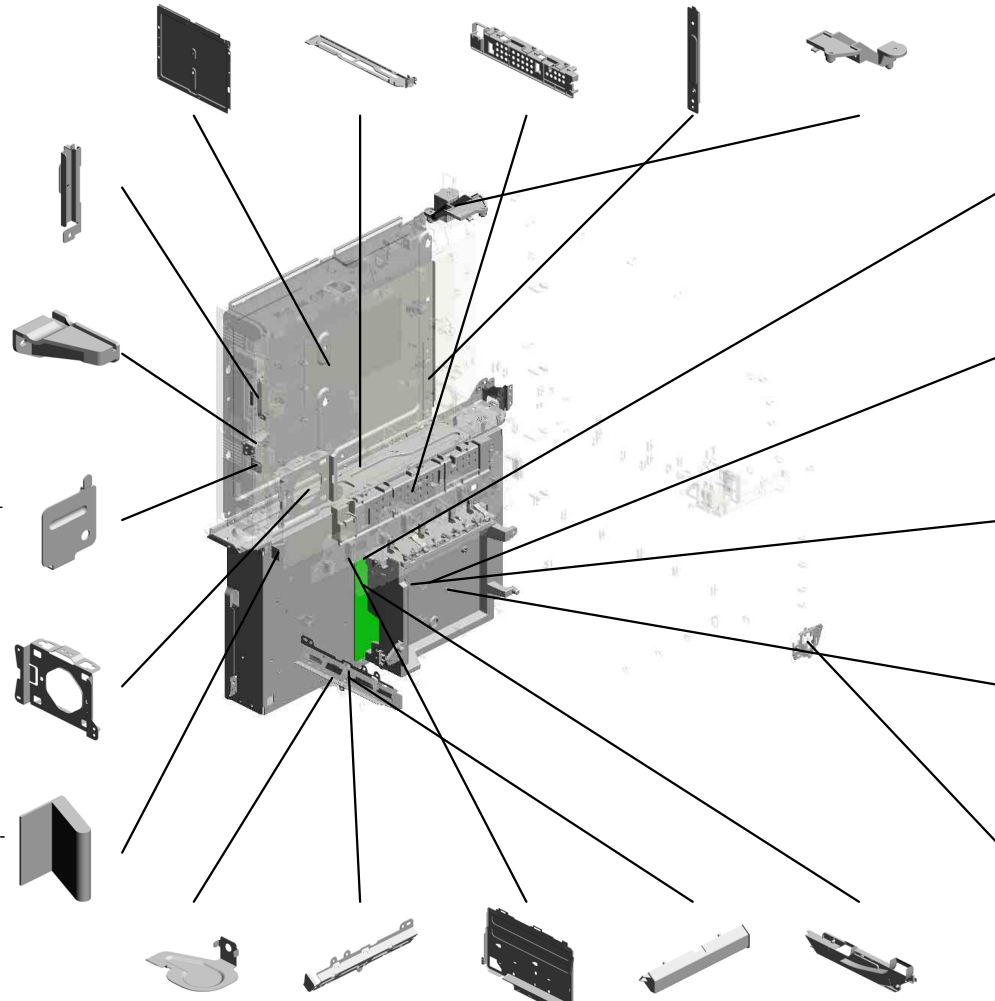
65.D0E35824  
COVER:SD-CARD

78.D2395889  
RAIL:FAX

76.D1495776  
COVER:USB:SMAL  
L

70.D1465786  
BRACKET:HDD

67.D0E35886  
GASKET:32TA L15-  
18(AZD6)H L=20



64.D0E35823  
BRACKET:BASE:P  
OWER SUPPLY UN  
IT:PEEN

80.D2415764  
COVER:POWER P  
ACK:CB

57.D0E35153  
POWER PACK:CB:I  
MC:4510-6010:(PC  
B19)  
202309-04

60.D0E35765  
CASE:POWER PAC  
K:CB

79.D2415738  
BRACKET:MAIN S  
WITCH

77.D1495824  
COVER:CONNECT  
OR:HEATER:0.4MM

59.D0E35740  
BRACKET:HARNES  
S:OPTICAL WRITIN  
G UNIT:PEEN

66.D0E35825  
COVER:PSU

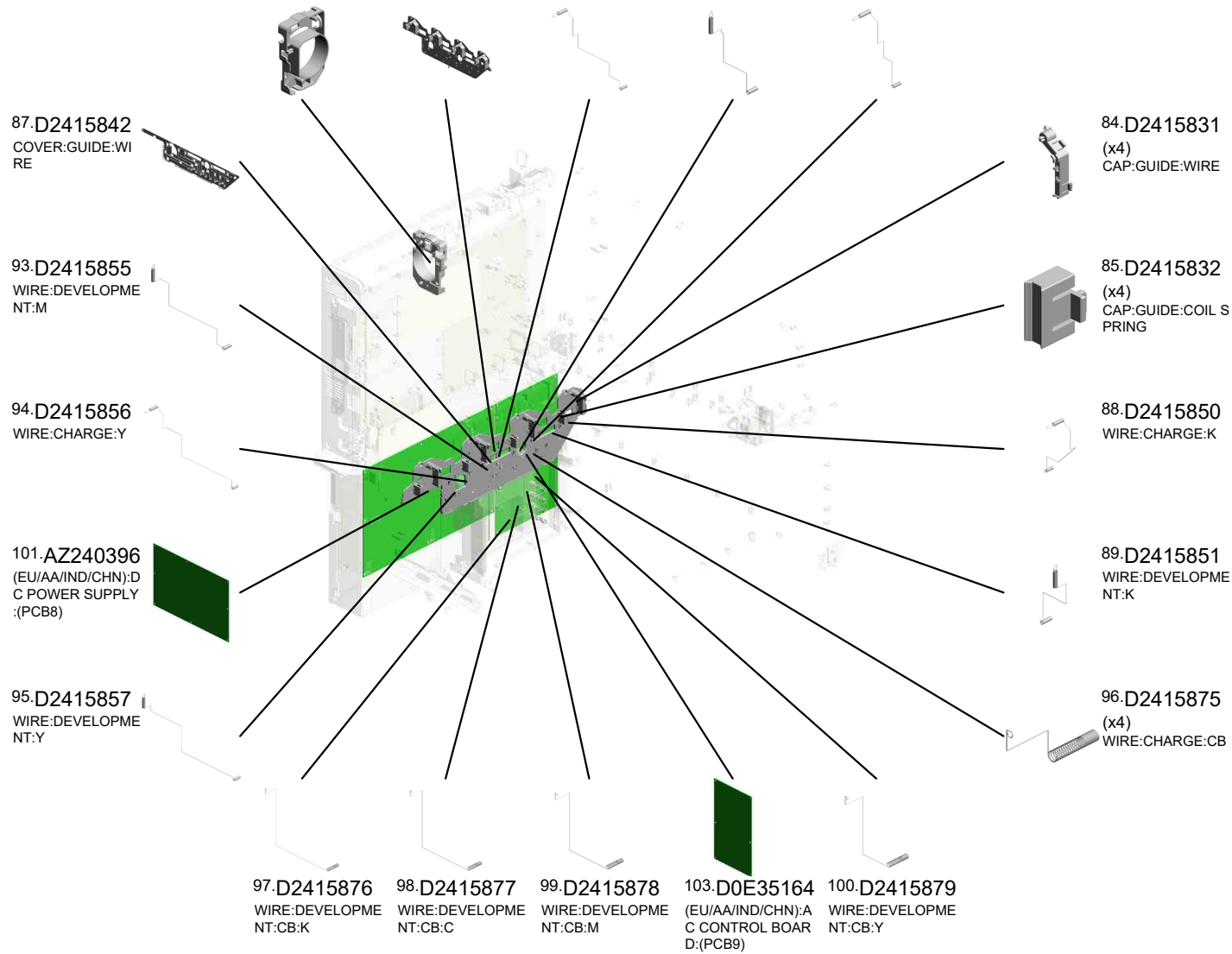
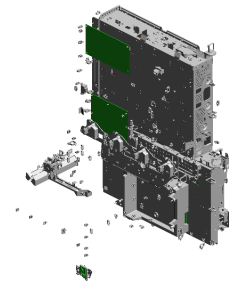
75.D1495742  
COVER:HARNESS:  
OPTICAL WRITING  
UNIT

68.D0E37984  
DUCT:REAR:POW  
ER SUPPLY UNIT

U001	U002	U003	U004	U005	U006	U007	U008	U009	U010	U011	U012	U013	U014	U015	U016	U017	U018	U019
------	------	------	------	------	------	------	------	------	------	------	------	------	------	------	------	------	------	------

# U016 ELECTRICAL

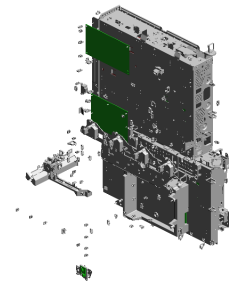
83.D2415803 GUIDE:HARNESS:C/T BOX  
 86.D2415841 BASE:GUIDE:WIRE  
 92.D2415854 WIRE:CHARGE:M  
 91.D2415853 WIRE:DEVELOPME NT:C  
 90.D2415852 WIRE:CHARGE:C



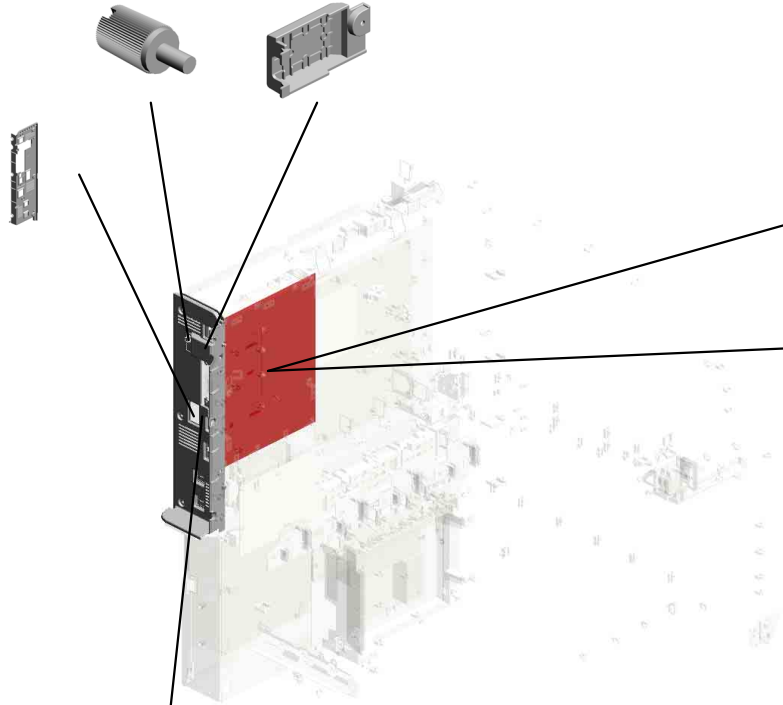
U001	U002	U003	U004	U005	U006	U007	U008	U009	U010	U011	U012	U013	U014	U015	U016	U017	U018	U019
------	------	------	------	------	------	------	------	------	------	------	------	------	------	------	------	------	------	------

# U016 ELECTRICAL

109.G1045141 106.D0E1R481  
 (CHN):KNOB SCRE (CHN):COVER:OUT  
 W:M3 ER:WIFI:OPTION



107.D0E1R484  
 (CHN):COVER:INT  
 ERFACE:WIFI:OPTI  
 ON



104.D0E05767  
 (CHN):(IM C4510/G  
 S4045c):PCB:CTL:S  
 ERVICE:IMC4510:(  
 PCB11)

105.D0E05769  
 (CHN):(IM C6010/G  
 S4160c):PCB:CTL:S  
 ERVICE:IMC6010:(  
 PCB11)

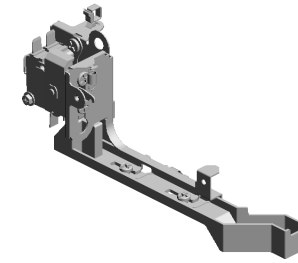
108.D0E1R485  
 (CHN):PANEL:CON  
 TROL BOARD:WIFI  
 :OPTION

U001	U002	U003	U004	U005	U006	U007	U008	U009	U010	U011	U012	U013	U014	U015	U016	U017	U018	U019
------	------	------	------	------	------	------	------	------	------	------	------	------	------	------	------	------	------	------



U016\_S001  
SAFETY SWITCH:ASS'Y

30.12042612 (x2) MICRO SWITCH:D3 V-16506-3C25:(SW 2)  
 40.B2231317 (x3) SCREW  
 33.AA061128 TENSION SPRING: SAFETY SWITCH:R IGH  
 25.11050759 CLAMP:LWSM-060 5A

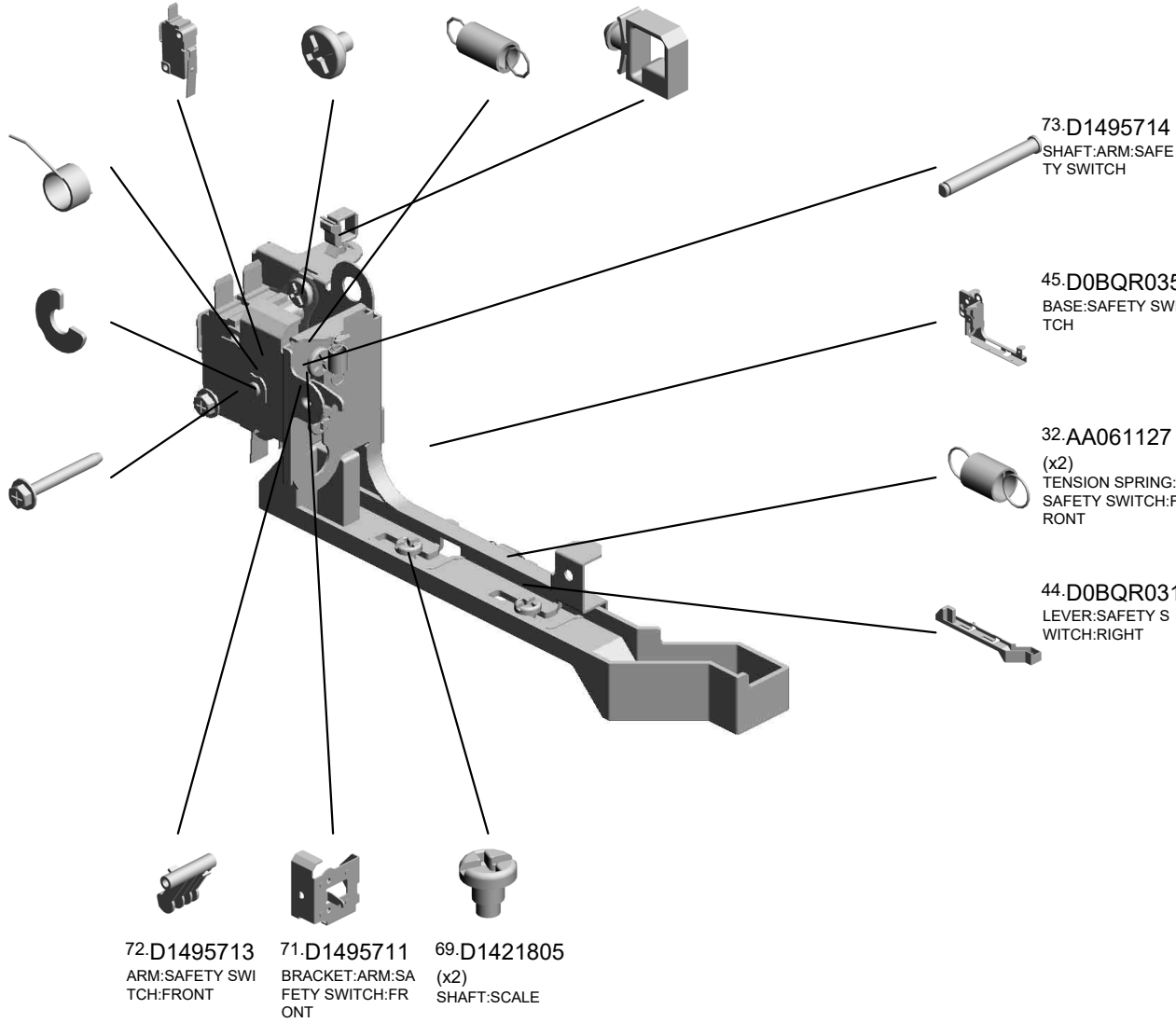


46.D0BQR041 SAFETY SWITCH:ASS'Y

74.D1495718 TORSION SPRING: SAFETY SWITCH

12.08050103 RETAINING RINGS -E:SILENCER:DIA3

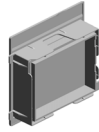
5.04513025N TAPPING SCREW: M3X25



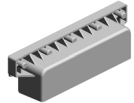
U001	U002	U003	U004	U005	U006	U007	U008	U009	U010	U011	U012	U013	U014	U015	U016	U017	U018	U019
------	------	------	------	------	------	------	------	------	------	------	------	------	------	------	------	------	------	------

# U017.MAIN FRAME

U017 S004  
D0E37935  
CAP:FILTER:ASS'Y



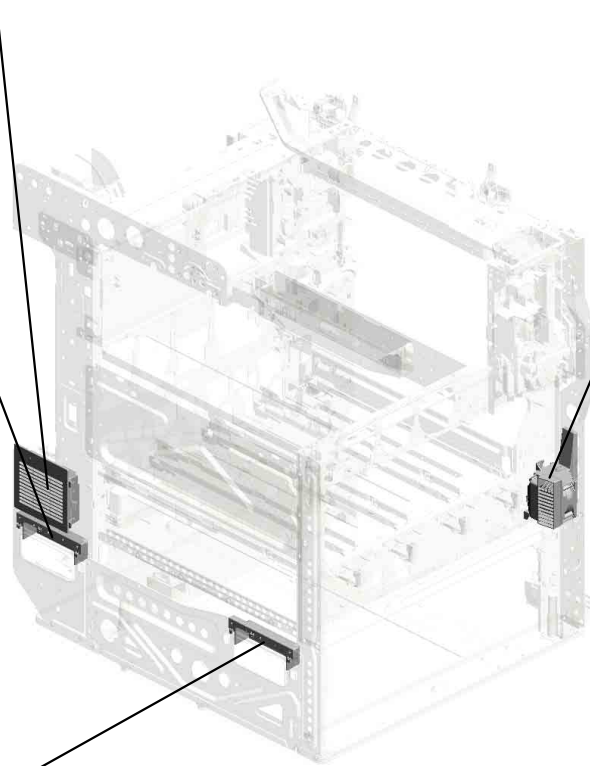
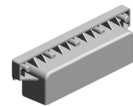
U017 S002  
D0E31099  
COVER:GRIP:LEFT



U017 S003  
D0E37920  
COVER:FAN:DEVELOPMENT  
:RIGHT:ASS'Y

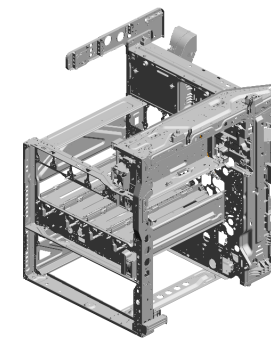


U017 S001  
D0E31099  
COVER:GRIP:LEFT



U001	U002	U003	U004	U005	U006	U007	U008	U009	U010	U011	U012	U013	U014	U015	U016	U017	U018	U019
------	------	------	------	------	------	------	------	------	------	------	------	------	------	------	------	------	------	------

# U017 MAIN FRAME



- 19.AX640257 (x2) DC FAN MOTOR:M80X25:(FAN1/FAN5)
- 18.AX640256 (x3) DC FAN MOTOR:AXIAL:MM60:25MM:(FAN2/FAN6/FAN8/FAN9)
- 6.04533008N BINDING SELF TAPPING SCREW:3X8
- 13.11024559 (x3) CONNECTOR - 3P
- 16.AA080346 (x2) BUSHING:FLANGE TYPE:DIA6

- 7.04543006N (x2) TAPPING SCREW: ROUND POINT:3X6

- 14.11050759 (x7) CLAMP:LWSM-060 5A

- 12.08025328 (x2) HEXAGON HEAD TAPPING SCREW:3 X40

- 20.AX650065 DC FAN MOTOR:SI ROCCO:DC24V:PWM:(FAN3)

- 15.11050764 CLAMP:LWS-1316A



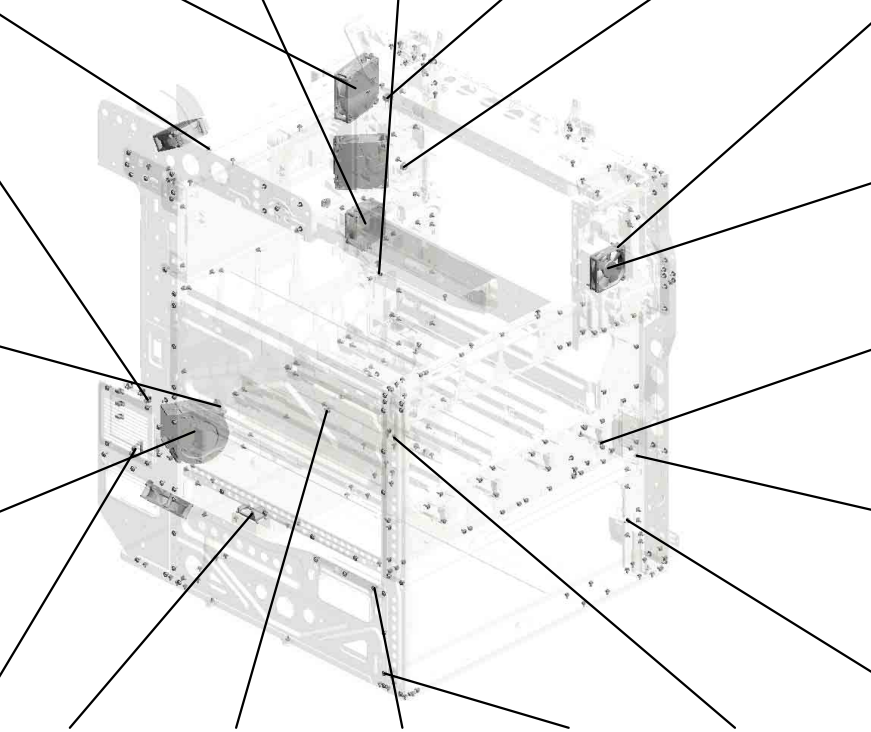
- 2.04503025N (x2) TAPPING SCREW: 3X25

- 17.AX640236 FAN:MM60X15:(FAN4/FAN7)

- 1.03603006N (x4) SCREW - M3X6

- 4.04513006N (x8) TAPPING SCREW - 3X6

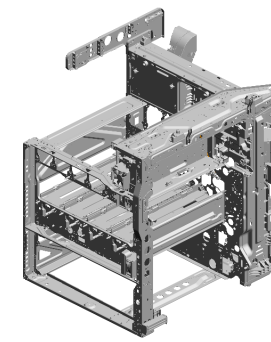
- 5.04513008N (x2) TAPPING SCREW - M3X8



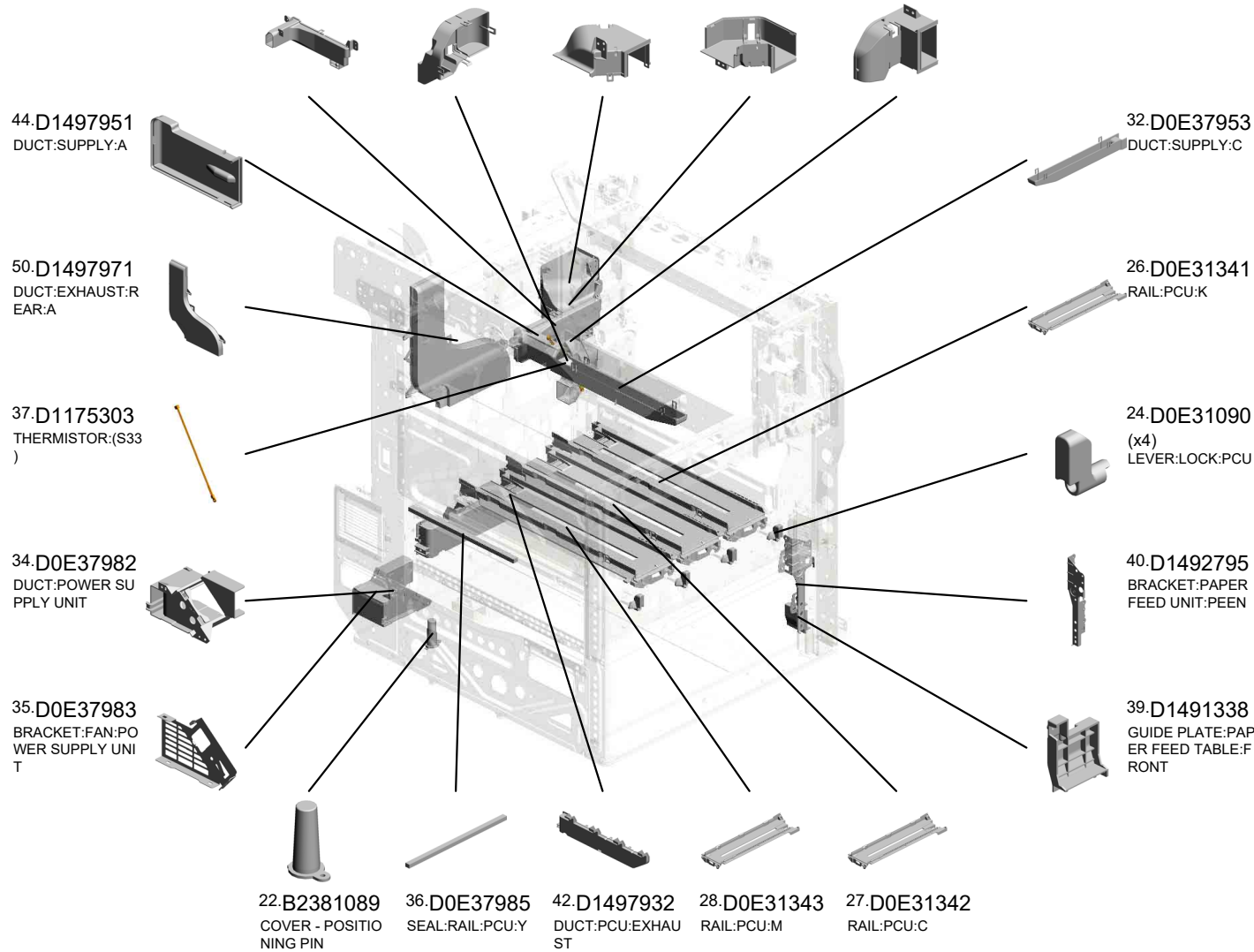
- 21.B2381088 COVER - CONNECTOR
- 11.08025299 TAPPING SCREW - M3X8
- 10.04583008N (x64) HEXAGON HEAD TAPPING SCREW:3 X8
- 8.04543006Q (x222) TAPPING SCREW - M3X6
- 9.04543008Q (x16) TAPPING SCREW: 3X8

U001	U002	U003	U004	U005	U006	U007	U008	U009	U010	U011	U012	U013	U014	U015	U016	U017	U018	U019
------	------	------	------	------	------	------	------	------	------	------	------	------	------	------	------	------	------	------

# U017 MAIN FRAME



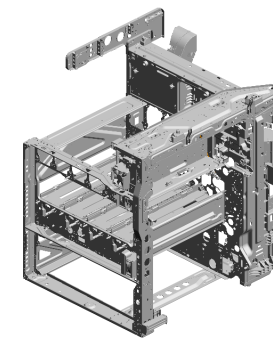
- 45.D1497952 DUCT:SUPPLY:B
- 48.D1497957 DUCT:DRIVE:COOLING:A
- 46.D1497955 DUCT:SUPPLY:FAN:UPPER
- 47.D1497956 DUCT:SUPPLY:FAN:LOWER
- 49.D1497958 DUCT:DRIVE:COOLING:B



U001	U002	U003	U004	U005	U006	U007	U008	U009	U010	U011	U012	U013	U014	U015	U016	U017	U018	U019
------	------	------	------	------	------	------	------	------	------	------	------	------	------	------	------	------	------	------

# U017 MAIN FRAME

- 51.D1497972 DUCT:EXHAUST:R  
EAR:B
- 68.M0BW7945 DEODORIZE FILTE  
R
- 54.D2417941 DUCT:EXHAUST:U  
PPER:A
- 55.D2417942 DUCT:EXHAUST:U  
PPER:B
- 60.GA003969 (x2)  
DECAL:POSITIONI  
NG DISPLAY:FUSI  
NG UNIT:MAIN

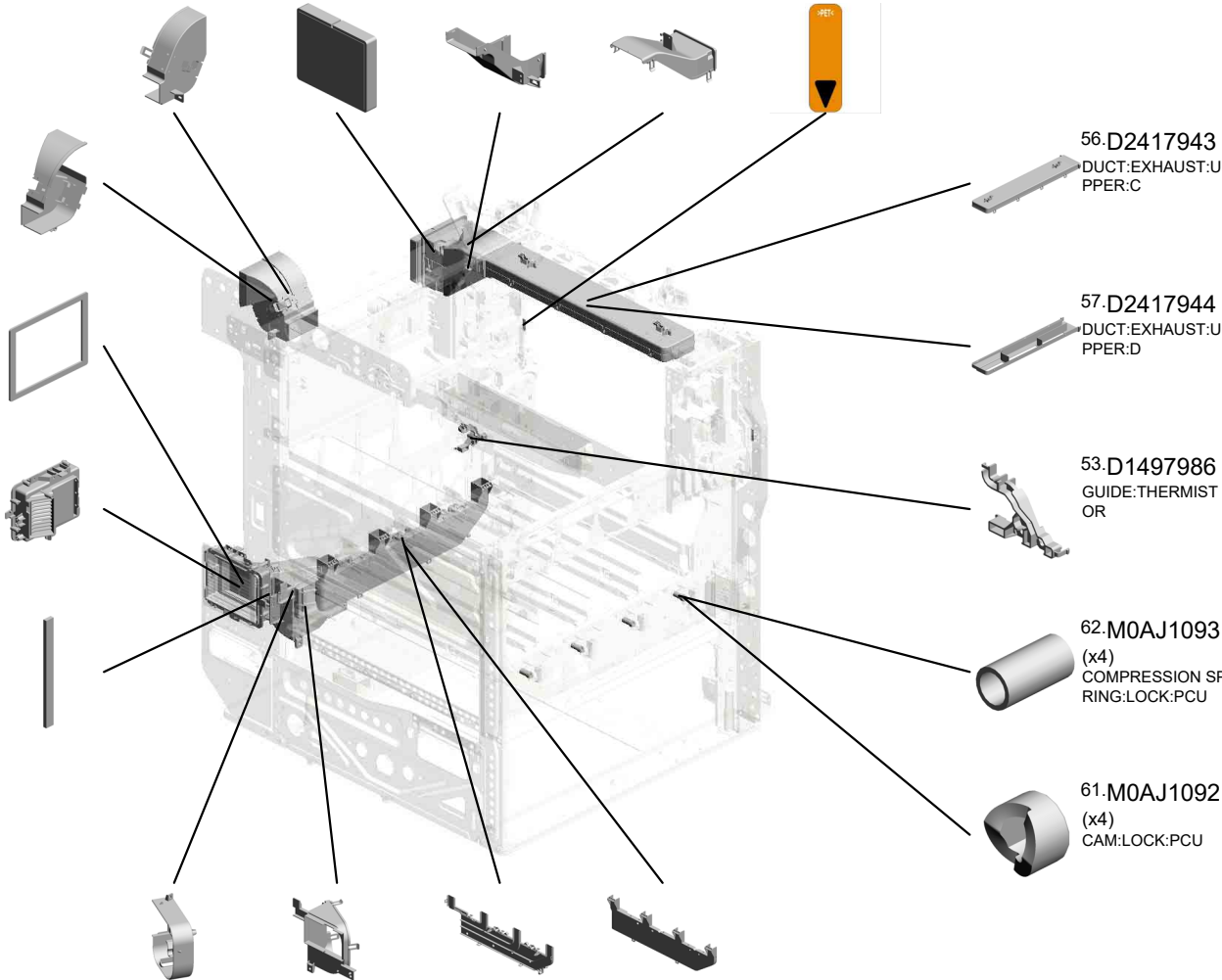


- 52.D1497973 DUCT:EXHAUST:R  
EAR:C

- 66.M0AJ7994 SEAL:CAP:FILTER

- 65.M0AJ7993 DUCT:DEVELOPM  
ENT:EXHAUST:C

- 67.M0AJ7995 SEAL:DUCT:DEVEL  
OPMENT:EXHAUS  
T



- 56.D2417943 DUCT:EXHAUST:U  
PPER:C

- 57.D2417944 DUCT:EXHAUST:U  
PPER:D

- 53.D1497986 GUIDE:THERMIST  
OR

- 62.M0AJ1093 (x4)  
COMPRESSION SP  
RING:LOCK:PCU

- 61.M0AJ1092 (x4)  
CAM:LOCK:PCU

- 64.M0AJ7992 DUCT:DEVELOPM  
ENT:EXHAUST:B

- 63.M0AJ7991 DUCT:DEVELOPM  
ENT:EXHAUST:A

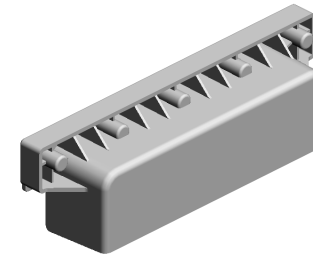
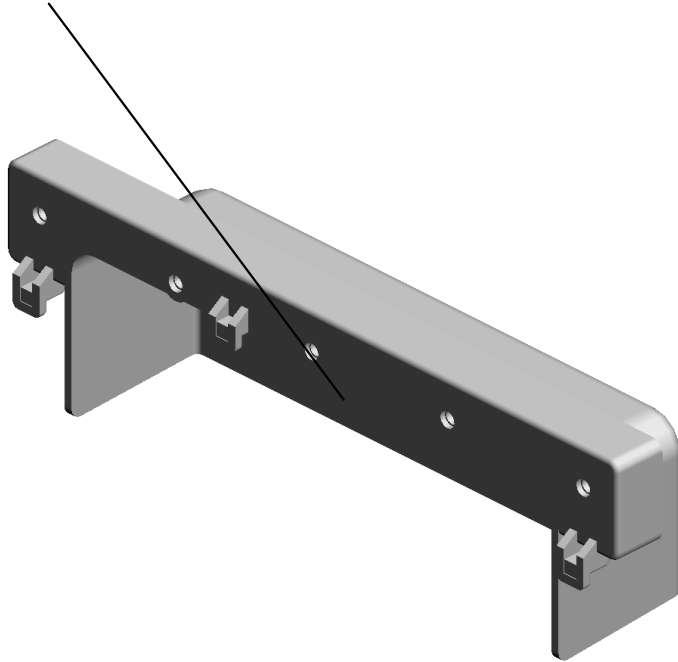
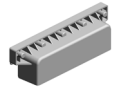
- 59.D2417984 DUCT:DEVELOPM  
ENT:REAR:B

- 58.D2417983 DUCT:DEVELOPM  
ENT:REAR:A

U001	U002	U003	U004	U005	U006	U007	U008	U009	U010	U011	U012	U013	U014	U015	U016	U017	U018	U019
------	------	------	------	------	------	------	------	------	------	------	------	------	------	------	------	------	------	------

U017\_S001  
COVER:GRIP:LEFT

38.D1491099  
COVER:GRIP:LEFT

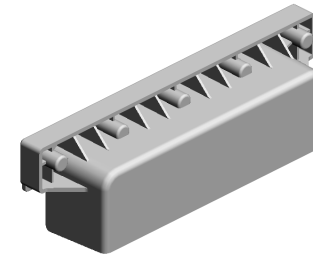
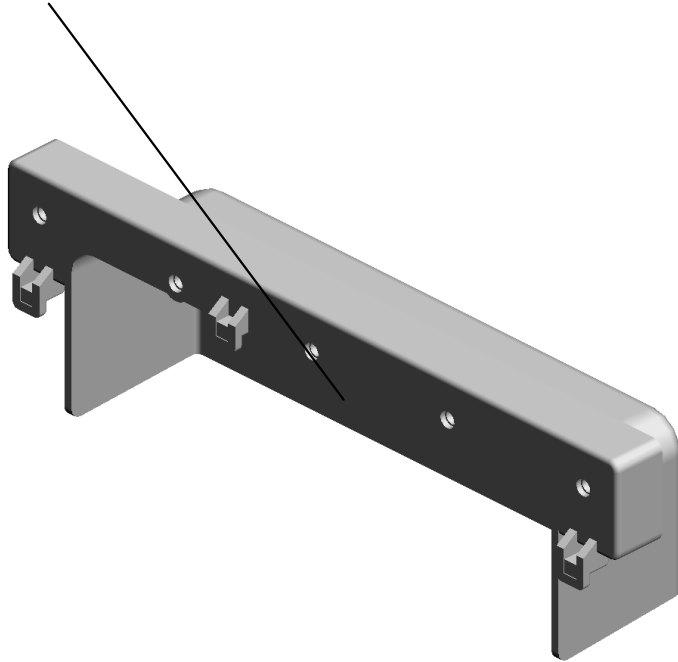
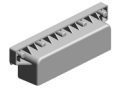


25.D0E31099  
COVER:GRIP:LEFT

U001	U002	U003	U004	U005	U006	U007	U008	U009	U010	U011	U012	U013	U014	U015	U016	U017	U018	U019
------	------	------	------	------	------	------	------	------	------	------	------	------	------	------	------	------	------	------

U017\_S002  
COVER:GRIP:LEFT

38.D1491099  
COVER:GRIP:LEFT

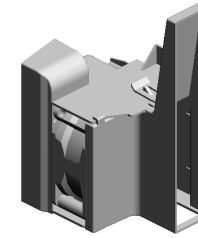


25.D0E31099  
COVER:GRIP:LEFT

U001	U002	U003	U004	U005	U006	U007	U008	U009	U010	U011	U012	U013	U014	U015	U016	U017	U018	U019
------	------	------	------	------	------	------	------	------	------	------	------	------	------	------	------	------	------	------

U017\_S003  
COVER:FAN:DEVELOPMENT:RIGHT:ASS'Y

41.D1497923  
DUCT:DEVELOPM  
ENT:RIGHT LOWE  
R

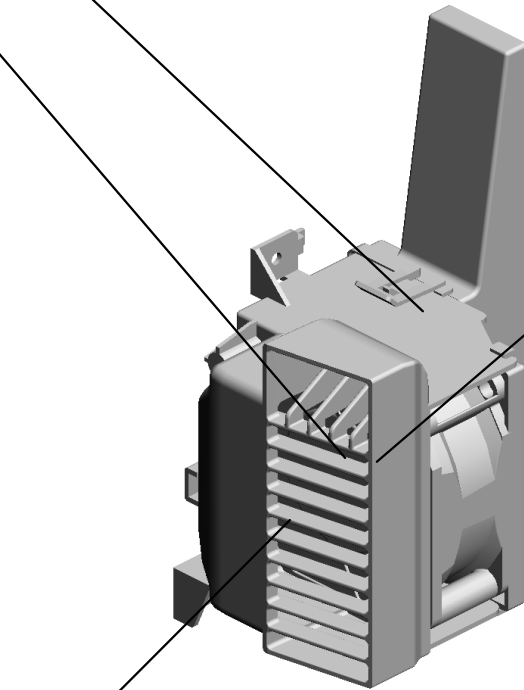


29.D0E37920  
COVER:FAN:DEVE  
LOPMENT:RIGHT:A  
SS'Y

33.D0E37968  
COVER:FAN:DEVE  
LOPMENT:RIGHT L  
OWER



18.AX640256  
DC FAN MOTOR:A  
XIAL:MM60:25MM:(  
FAN2/FAN6/FAN8/F  
AN9)



3.04503035N  
(x2)  
TAPPING SCREW:  
3X35

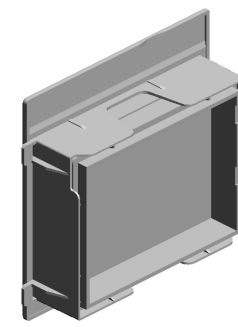
U001	U002	U003	U004	U005	U006	U007	U008	U009	U010	U011	U012	U013	U014	U015	U016	U017	U018	U019
------	------	------	------	------	------	------	------	------	------	------	------	------	------	------	------	------	------	------



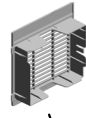
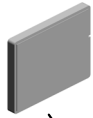
U017\_S004  
CAP:FILTER:ASS'Y

43.D1497938  
OZONE FILTER

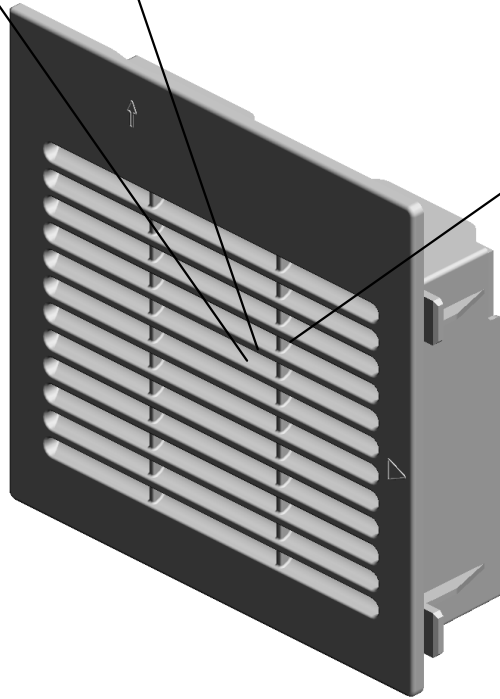
31.D0E37936  
CAP:LOUVER:FILTER:LEFT



30.D0E37935  
CAP:FILTER:ASS'Y



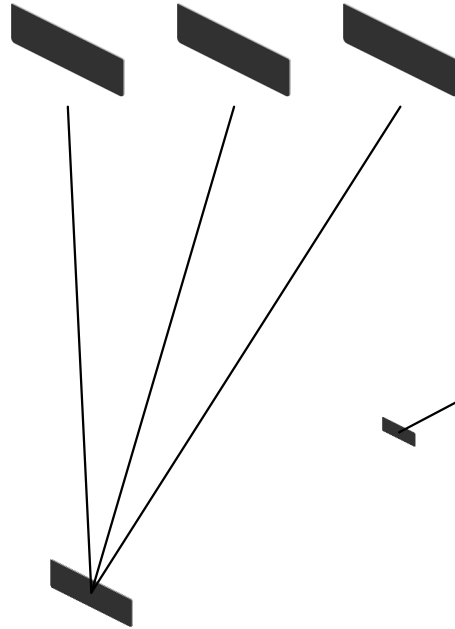
23.D0BQ7937  
FILTER:PREVENTF  
ENCE:13.5



U001	U002	U003	U004	U005	U006	U007	U008	U009	U010	U011	U012	U013	U014	U015	U016	U017	U018	U019
------	------	------	------	------	------	------	------	------	------	------	------	------	------	------	------	------	------	------

U018  
ACCESSORIES

11.D0E36872 (IM C4510):PLATE:MODEL NAME PLATE:C4510  
 12.D0E36874 (IM C6010):PLATE:MODEL NAME PLATE:C6010  
 30.D0E36845 (GS4045c):PLATE:MODEL NAME PLATE:GS4045C



21.D0E36852 (x4)  
(EU/TWN/CHN):DECAL:MAIN SWITCH:ON-STANDBY

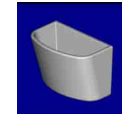


1.08050103 (x4)  
RETAINING RINGS  
-E:SILENCER:DIA3

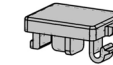


3.B0651374 (x4)  
CLOTH - DF EXPOSURE GLASS

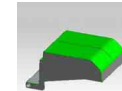
33.D0E36863 (x4)  
(CHN):DECAL:INKJET:CHN:MANUAL FEED



4.D0E31331 (x4)  
HOLDER:GLASS:CLEANER:ASS'Y



5.D0E31788 (x8)  
CAP:COVER:POSITIONING



6.D0E34474 (x4)  
END FENCE:TRAY:EXIT



10.D0E36864 (x2)  
(CHN)(IM C4510/C6010)/NA/EU/AA/TWN/IND):PLATE:LOGO TYPE:RIC



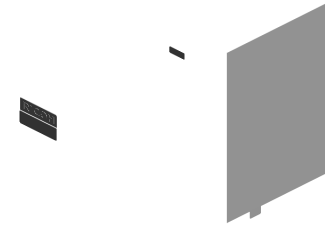
13.D0E36902 (x4)  
DECAL:SIZE INDICATION:PAPER TRAY



18.D1494474 (x4)  
LINK:END FENCE:TRAY:EXIT

U001	U002	U003	U004	U005	U006	U007	U008	U009	U010	U011	U012	U013	U014	U015	U016	U017	U018	U019
------	------	------	------	------	------	------	------	------	------	------	------	------	------	------	------	------	------	------

U018  
ACCESSORIES



19.D1771302  
(x4)  
CLEANER:SHIELD  
GLASS:ASSY

29.D0E36767  
(x4)  
(CHN):DECAL:CAU  
TION:ORIGINAL:CH  
INESE



31.D0E36857  
(x4)  
(CHN):DECAL:INKJ  
ET:TRAY:NO.1:CH  
N



32.D0E36858  
(x4)  
(CHN):DECAL:INKJ  
ET:PAPER FEED



34.D0E36865  
(x2)  
(GS4045c/GS4160c  
):PLATE:LOGOTYP  
E:GESTETNER

28.11500509(x 4)  
(CHN):POWER SUPPLY CORD:250V:10  
A

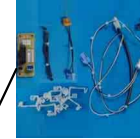
U001	U002	U003	U004	U005	U006	U007	U008	U009	U010	U011	U012	U013	U014	U015	U016	U017	U018	U019
------	------	------	------	------	------	------	------	------	------	------	------	------	------	------	------	------	------	------

# U019.HEATER

U019 S001  
D3G32202  
(EU/AA/IND/CHN):HEATER:P  
HOTOCONDUCTOR:ASSY



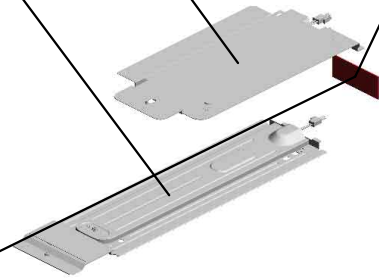
U019 S003  
D0CH2542  
(EU/AA/IND/CHN):HEATER:D  
EHUMIDIFIER:ASSY



U019 S002  
D3G36650  
(EU/AA/IND/CHN):ELECTRIC  
AL COMPONENTS SECTION:  
SCANNER\_200V:ASSY



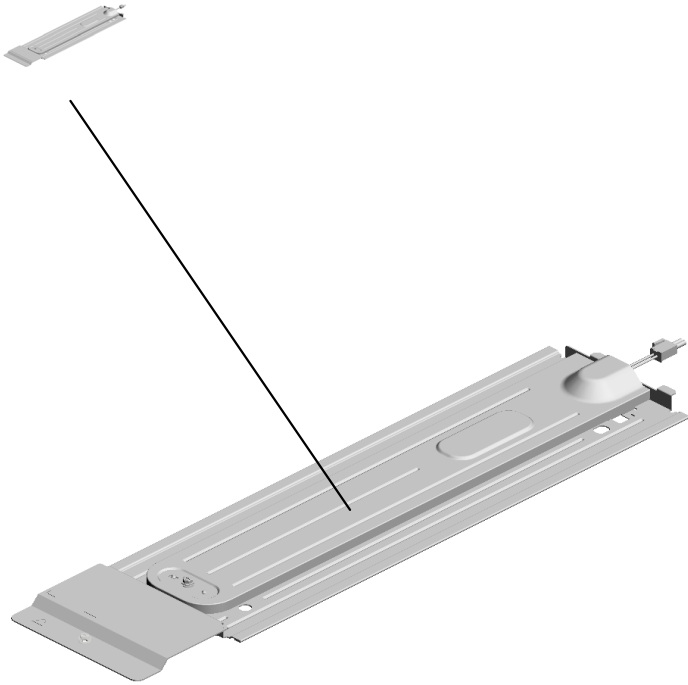
U019 S004  
D3G36662  
(EU/AA/IND/CHN):ELECTRIC  
AL COMPONENTS SECTION:  
PAPER TRAY:200V:ASSY



U001	U002	U003	U004	U005	U006	U007	U008	U009	U010	U011	U012	U013	U014	U015	U016	U017	U018	U019
------	------	------	------	------	------	------	------	------	------	------	------	------	------	------	------	------	------	------

# U019\_S003.(EU/AA/IND/CHN):HEATER:DEHUMIDIFIER:ASS'Y

U019 S003 S001  
D0CH2892  
(EU/AA/IND/CHN):HEAT SINK  
:HEATER:ASS'Y



U001	U002	U003	U004	U005	U006	U007	U008	U009	U010	U011	U012	U013	U014	U015	U016	U017	U018	U019
------	------	------	------	------	------	------	------	------	------	------	------	------	------	------	------	------	------	------

# U019 HEATER

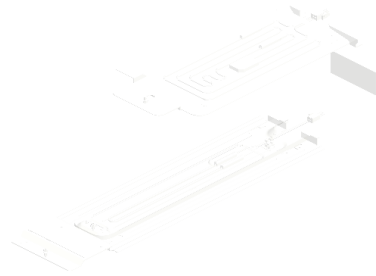
15.D2411797  
COVER:HEATER:S  
CANNER

19.AX400250  
(EU/AA/IND/CHN);H  
EATER:230V:9W:T  
HERMOFUSE:(H3)

14.D2411796  
BRACKET:HEATER  
:SCANNER

4.09544008N  
SCREW - M4X8

1.03530030N  
(x2)  
SCREW:M3X3



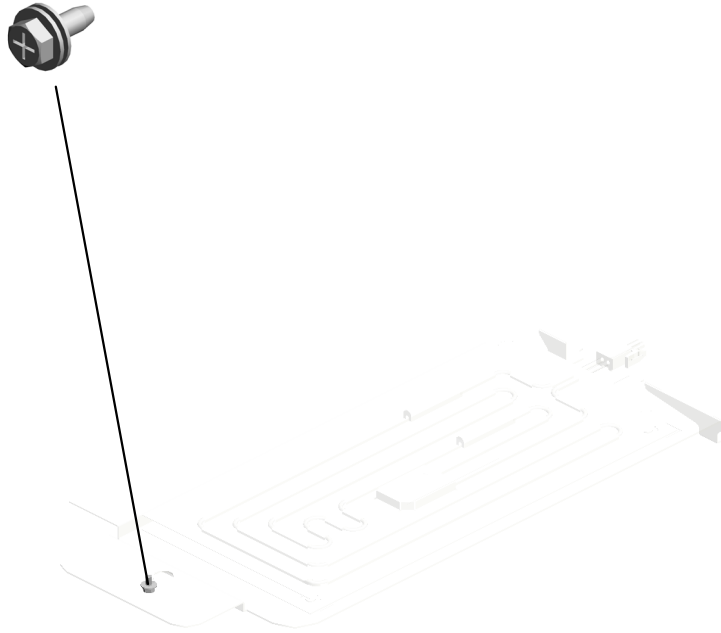
U001	U002	U003	U004	U005	U006	U007	U008	U009	U010	U011	U012	U013	U014	U015	U016	U017	U018	U019
------	------	------	------	------	------	------	------	------	------	------	------	------	------	------	------	------	------	------

U019\_S001  
(EU/AA/IND/CHN):HEATER:PHOTOCONDUCTOR:ASS'Y

3-08025299  
TAPPING SCREW -  
M3X8



22-D3G32202  
(EU/AA/IND/CHN):H  
EATER:PHOTOCO  
NDUCTOR:ASS'Y



U001	U002	U003	U004	U005	U006	U007	U008	U009	U010	U011	U012	U013	U014	U015	U016	U017	U018	U019
------	------	------	------	------	------	------	------	------	------	------	------	------	------	------	------	------	------	------

U019\_S002

(EU/AA/IND/CHN):ELECTRICAL COMPONENTS SECTION:SCANNER\_200V:ASS'Y



23.D3G36650  
(EU/AA/IND/CHN):E  
LECTRICAL COMP  
ONENTS SECTION:  
SCANNER\_200V:A  
SS'Y



6.11050759  
(x6)  
CLAMP:LWSM-060  
5A

2.04543006Q(x 3)  
TAPPING SCREW - M3X6

U001	U002	U003	U004	U005	U006	U007	U008	U009	U010	U011	U012	U013	U014	U015	U016	U017	U018	U019
------	------	------	------	------	------	------	------	------	------	------	------	------	------	------	------	------	------	------



U019\_S003  
(EU/AA/IND/CHN):HEATER:DEHUMIDIFIER:ASS'Y

3-08025299  
TAPPING SCREW -  
M3X8



20.D0CH2542  
(EU/AA/IND/CHN):H  
EATER:DEHUMIDIF  
IER:ASS'Y



U001	U002	U003	U004	U005	U006	U007	U008	U009	U010	U011	U012	U013	U014	U015	U016	U017	U018	U019
------	------	------	------	------	------	------	------	------	------	------	------	------	------	------	------	------	------	------

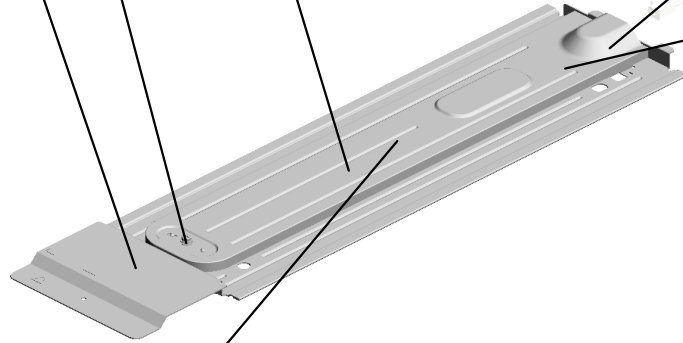
U019\_S003\_S001  
 (EU/AA/IND/CHN):HEAT SINK:HEATER:ASS'Y

3.08025299 11.D1492899  
 TAPPING SCREW - HEAT SINK:HEATE  
 M3X8 R



21.D0CH2892  
 (EU/AA/IND/CHN):H  
 EAT SINK:HEATER:  
 ASS'Y

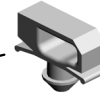
18.M0262734  
 DECAL:H-TEMP W  
 ARNING:HEATER



16.D2412896  
 SHEET:HEAT SINK:  
 HEATER



5.11050758  
 (x2)  
 CLAMP:LWSM-030  
 6A



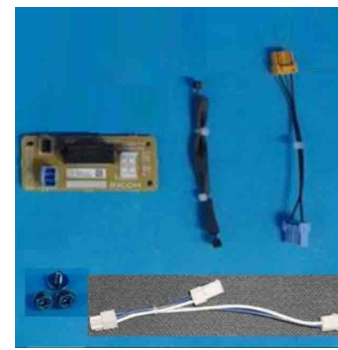
10.D1492898  
 COVER:HEATER:P  
 APER TRAY



U001	U002	U003	U004	U005	U006	U007	U008	U009	U010	U011	U012	U013	U014	U015	U016	U017	U018	U019
------	------	------	------	------	------	------	------	------	------	------	------	------	------	------	------	------	------	------

U019\_S004

(EU/AA/IND/CHN):ELECTRICAL COMPONENTS SECTION:PAPER TRAY:200V:ASS'Y



24.D3G36662  
(EU/AA/IND/CHN):E  
LECTRICAL COMP  
ONENTS SECTION:  
PAPER TRAY:200V  
:ASS'Y

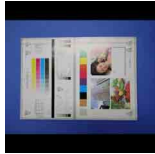
2.04543006Q(x 3)  
TAPPING SCREW - M3X6

U001	U002	U003	U004	U005	U006	U007	U008	U009	U010	U011	U012	U013	U014	U015	U016	U017	U018	U019
------	------	------	------	------	------	------	------	------	------	------	------	------	------	------	------	------	------	------

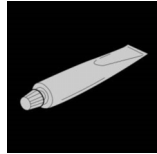
## SPECIAL TOOLS



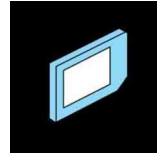
1.52039502  
Silicone Grease G-501



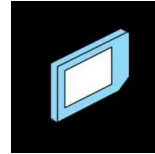
2.A0929503  
C4 COLOR TEST CHART (3 PCS/SET)  
)?



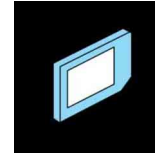
3.A2579300  
Grease Barrierta - S552R (Heat-resistant grease)



4.B6455030  
SD Card 2GB



5.B6455040  
SD Card 8GB



6.B6455060  
SD Card 16GB



7.C4019503  
20~ Magnification Scope



8.M0B19500  
USB 3.0 CARD READER



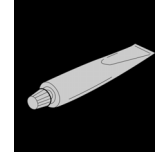
9.VSSG0006  
DRYSURF:MDF-2400E 25G



10.VSSG9002  
FLUOTRIBO MG GREASE: 100G



11.VSSG9006  
MOLYKOTE(R) G-1077 GREASE 50G  
(Noise-reduction grease)



12.VSSG9008  
FLOIL-G348 GREASE 20G



13.VSST9003  
C-5Y COLOR TEST CHART (2 SHEET  
S X 3 / set)?

## Exclusive Parts

Number	Part Name	Group	ID
52039502	Silicone Grease G-501	SPECIAL TOOLS	1
52062686	SNAP RING	U001_S003	5
		U001_S006	5
52152621	SNAP RING - M6	U010	7
		U014	18
54472681	SNAP RING	U010	8
		U014	19
A0929503	C4 COLOR TEST CHART (3 PCS/SET)?	SPECIAL TOOLS	2
A2324666	CUSHION - STEPPER MOTOR	U013_S001	11
A2501752	EXPOSURE GLASS	U004	18
A2579300	Grease Barrierta - S552R (Heat-resistant grease)	SPECIAL TOOLS	3
A6283112	SHIELDING SHEET	U004_S002	19
A8597211	(EU[IM C4510A/C5510A/C6010]/CHN[IM C6010/GS4160c]/NA/AA/TWN/IND):STEPPED SCREW	U003	2
AA021031	MAGNETIC CATCH	U001_S001	6
		U001_S004	6
AA043000	SYNCHRONOUS BELT:40S3M192	U015_S003	18
AA043623	TIMING BELT - B40S2M180	U015_S003	19
AA043634	TIMING BELT - 40S2M296	U015_S001	20
AA043777	SYNCHRONOUS BELT:80S3M213	U015_S004	21
AA061127	TENSION SPRING:SAFETY SWITCH:FRONT	U016_S001	32
AA061128	TENSION SPRING:SAFETY SWITCH:RIGHT	U016_S001	33
AA061207	TENSION SPRING:BRACKET:IDLER	U012	20
AA061208	TENSION SPRING:STRIPPER PLATE	U012_S001	21
AA061211	TENSION SPRING:HOLDER:FUSING EXIT	U012_S001	22
AA063701	COMPRESSION SPRING:RISING TRAY	U006_S009	16
		U006_S010	16
AA063732	COMPRESSION SPRING:PRESSURE ROLLER	U012_S001	23
AA063942	COMPRESSION SPRING:REGISTR	U010	9

Number	Part Name	Group	ID
	ATION:DRIVE		
AA063943	COMPRESSION SPRING:GUIDE PLATE:REGISTRATION:4N	U010	10
AA080247	BUSHING - B-F6-3	U009_S001_S001	11
AA080252	BUSHING - M4	U013_S001	12
AA080346	BUSHING:FLANGE TYPE:DIA6	U010	11
		U011_S001	9
		U015_S003	22
		U017	16
AA080361	PLAIN SHAFT BEARING:CASE:RISING TRAY	U006_S009	17
		U006_S010	17
AA080387	PLAIN SHAFT BEARING:EXIT ROLLER:FUSING EXIT:RIGHT:FRONT	U012_S001	24
AA080388	PLAIN SHAFT BEARING:EXIT ROLLER:FUSING EXIT:RIGHT:REAR	U012_S001	25
AA082101	BUSHING - 6X10X6	U009	12
		U009_S001_S001	12
		U009_S001_S002_S001	12
		U009_S001_S002_S002	12
AA082144	BUSHING - 8X12X7	U010	12
AA082172	BUSHING:DIA6XDIA10X4:EG-1	U009_S001_S001	13
		U015_S001	23
AA082175	PLAIN SHAFT BEARING:8X12X7	U015_S001	24
AA082191	BUSHING:DIA6XDIA10X6:EG-1-J	U014_S001_S001	20
AA082193	PLAIN SHAFT BEARING:DIA4XDIA8X5	U013_S001	13
		U014_S001	21
		U014_S001_S001	21
		U015_S003	25
AA082194	BUSHING:DIA6XDIA10X4:EG-1J	U015_S003	26
AA082195	PLAIN SHAFT BEARING:DIA6XDIA10X6	U006	18
		U006_S001	18
		U006_S002	18
		U013_S001	14
		U014_S001	22
AA082196	BUSHING:DIA6XDIA10X9	U006_S001	19
		U006_S001_S002	19

## Exclusive Parts

Number	Part Name	Group	ID
		U006_S002	19
		U006_S002_S002	19
AA082197	BUSHING:DIA8XDIA12X7:EG-1-J	U006	20
AA082198	BUSHING:DIA6XDIA10X9:EG-1-J	U014_S001_S001	23
AA083014	ONE-WAY CLUTCH	U014_S001	24
AA083018	ROLLER CLUTCH - 6X14X10	U014_S001	25
AA100014	RETAINING RING C - SEPARATE	U006_S001	21
		U006_S002	21
		U014_S001_S001	26
AA100016	RETAINING RINGS-C:DIA3	U012_S001	26
AA132208	SPACER - M6	U009_S001_S001	14
AA143219	STEPPED SCREW	U012	27
AA143537	SCREW:M3:BLACK	U001	7
		U004	20
AA143579	SCREW - M3	U014_S001_S001	27
AA143592	SCREW- M4X6	U016	34
AA143807	SCREW:A	U014_S001	28
AA143848	STEPPED SCREW - M3	U016	35
AA148871	SHAFT:GEAR:IDLER:WORM GEAR	U012	28
AA161167	BUSHING:HDD	U016	36
AB010157	GEAR:SEPARATE:DRIVEN	U014_S001_S001	29
AB011252	GEAR - 20Z	U014_S001_S001	30
AB011571	GEAR:Z19:DRIVE:REGISTRATION	U010	13
AB011572	GEAR:Z19:DRIVEN:REGISTRATIO N	U006	22
AB011573	GEAR:REGISTRATION:NO.2	U006	23
AB012099	GEAR:ON-OFF:PRESSURE ROLLE R	U012_S001	29
AB012102	GEAR:IDLER:WORM GEAR	U012	30
AB012104	GEAR:IDLER:LIGHT SHIELDING PL ATE	U012	31
AB012107	GEAR:IDLER:EXIT:FUSING EXIT:1	U012_S001	32
AB012108	GEAR:IDLER:EXIT:FUSING EXIT:2	U012_S001	33
AB012109	GEAR:IDLER:EXIT:FUSING EXIT:3	U012_S001	34
AB012110	GEAR:EXIT ROLLER:FUSING EXIT: RIGHT	U012_S001	35
AB012111	GEAR:PRESSURE ROLLER:EXIT	U012_S001	36
AB012119	GEAR:PRESSURE ROLLER	U012_S001	37

Number	Part Name	Group	ID
AB012120	GEAR:IDLER:PRESSURE ROLLER	U012_S001	38
AB017782	GEAR:RISING TRAY:2	U006_S009	24
		U006_S010	24
AB017783	GEAR:RISING TRAY:3	U006_S009	25
		U006_S010	25
AE020282	PRESSURE ROLLER:DIA32	U012_S001	39
AE030074	BALL BEARING:DIA17XDIA26X5	U012_S001	40
AF013019	PAD:TRAY BOTTOM PLATE	U006_S007	26
		U006_S008	26
AF013020	PAD:TRAY BOTTOM PLATE	U014_S001_S002	31
		S001	
AF030049	PICK-UP ROLLER	U014_S001_S001	32
AF030094	PAPER FEED ROLLER:PICKUP	U006_S001	27
		U006_S002	27
AF031046	FEED ROLLER - MANUAL FEED	U014_S001_S001	33
AF031185	PAPER FEED ROLLER:FEED	U006_S001	28
		U006_S002	28
AF032046	SEPARATION ROLLER - MANUAL FEED	U014_S001_S001	34
AF032102	PAPER FEED ROLLER:SEPARATE	U006_S001	29
		U006_S002	29
AF040571	GUIDE ROLLER	U013_S001	15
AG070513	MAGNET CATCH	U001	8
AG070514	MAGNET CATCH	U011	10
AW010147	PHOTO REFLECTION SENSOR:(S1 /S27)	U010_S002	14
		U013_S001	16
AW010155	ORIGINAL SENSOR:66MM:3.3V:(S4 4/S45)	U004	21
AW020190	PHOTOINTERRUPTOR:(S26/S50)	U012	41
AW020234	PHOTOINTERRUPTOR:GP1A173L CS5F:(S5/S6/S8/S11/S13/S15/S23/ S25/S32)	U006_S001	30
		U006_S002	30
		U009	15
		U013_S001	17
		U014_S001	35
		U014_S001_S001	35
		U014_S001_S002	35
		S001	
		U015_S002	27

## Exclusive Parts

Number	Part Name	Group	ID
AW020249	PHOTOINTERRUPTOR:FLAT:PICH 2MM:M4:(S43)	U004	22
AW100180	NON-CONTACT TYPE THERMISTO R:FUSING:(S46/S47)	U012_S001	42
AW100181	THERMISTOR:PRESSURE:FRONT: (TH4/TH5)	U012_S001	43
AW100182	THERMISTOR:PRESSURE:MIDDLE :(TH3)	U012_S001	44
AW100183	THERMOPILE:(TH1/TH2)	U012	45
AW110111	THERMOSTAT:MIDDLE	U012_S001	46
AW110112	THERMOSTAT:REAR	U012_S001	47
AW230113	PCB.MYU:SENSOR:(S37/S38/S39/S 40)	U007_S001_S002	6
		U007_S002_S002	6
		U007_S003_S002	6
		U007_S004_S002	6
AW500044	PUSH SWITCH:PAPER SIZE SENS OR:(SW1)	U006	31
AW500049	PUSH SWITCH:SW1AG-550:(S4/S1 7/S19/S21/S35)	U006	32
		U011	11
		U014	36
		U014_S001	36
AX040273	DC MOTOR:RISING TRAY:ASS'Y:1. 007W:BRUSH:(M9/M10)	U006_S009	33
		U006_S010	33
AX060435	DC MOTOR:GEAR:10W:BRUSHLES S:(M7)	U015_S005	28
AX060464	DC MOTOR:ENCODER:NO:10W:GE AR:BRUSHLESS:(M1)	U014	37
AX060507	DC MOTOR:ENCODER:NO:10W:GE AR:(M2/M4/M5/M6)	U014_S001	38
		U015_S003	29
		U015_S004	29
AX060527	DC POLYGON MIRROR MOTOR:(M 27)	U005_S001	9
AX061001	DC BRUSHLESS MOTOR:40W:N B:(M15/M16)	U015	30
AX061101	DC BRUSHLESS MOTOR:25W:N B:(M17)	U015	31
AX061221	DC BRUSHLESS MOTOR:25W:NID: DEVELOPMENT:BLACK:(M29)	U015	32

Number	Part Name	Group	ID
AX061222	DC BRUSHLESS MOTOR:25W:NID: FUSING UNIT:(M8)	U015_S004	33
AX400250	(EU/AA/IND/CHN):HEATER:230V:9 W:THERMOFUSE:(H3)	U019	19
AX640236	FAN:MM60X15:(FAN4/FAN7)	U016	37
		U017	17
AX640256	DC FAN MOTOR:AXIAL:MM60:25M M:(FAN2/FAN6/FAN8/FAN9)	U017	18
		U017_S003	18
AX640257	DC FAN MOTOR:MM80X25:(FAN1/ FAN5)	U017	19
AX650065	DC FAN MOTOR:SIROCCO:DC24V: PWM:(FAN3)	U017	20
AZ240396	(EU/AA/IND/CHN):DC POWER SUP PLY:(PCB8)	U016	101
AZ320237	POWER PACK:TTS:H:(PCB16)	U016	39
B0651374	CLOTH - DF EXPOSURE GLASS	U018	3
B2231099	FLAT SCREW	U014_S001_S002	39
		S001	
B2231163	JOINT:ON-OFF:INTERMEDIATE TR ANSFER	U015_S001	34
B2231317	SCREW	U016_S001	40
B2233241	SPRING:SHUTTER:PUMP UNIT	U008	12
B2234552	BUSHING:DIA4	U014_S001	40
B2236069	JOINT:DRIVE:INTERMEDIATE TRA NSFER	U009_S001_S001	16
B2236476	BUSHING - DIA5	U011	12
B2342864	PAD:CLEANER	U006_S007	34
		U006_S008_S002	34
		S002	
		U006_S008_S003	34
B2381088	COVER - CONNECTOR	U017	21
B2381089	COVER - POSITIONING PIN	U017	22
B6455030	SD Card 2GB	SPECIAL TOOLS	4
B6455040	SD Card 8GB	SPECIAL TOOLS	5
B6455060	SD Card 16GB	SPECIAL TOOLS	6
B8303504	TIMING BELT - 40S2M100	U006_S001	35
		U006_S002	35
C4019503	20~ Magnification Scope	SPECIAL TOOLS	7

## Exclusive Parts

Number	Part Name	Group	ID
D0092573	PULLEY - VERTICAL TRANSPORT	U014_S001_S003	41
		U014_S001_S004	41
D0092574	PULLEY - IDLER	U014_S001_S003	42
		U014_S001_S004	42
D0094407	FEELER - OVERFLOW	U013_S001	18
D0094455	CUSHION - DC SOLENOID	U013_S001	19
		U014_S001	43
D0094485	BUSHING - GATE	U014_S001	44
D0094487	COMPRESSION SPRING - GATE	U014_S001	45
D0292677	TRANSPORT BELT:DRIVEN:VERTICAL TRANSPORT	U014_S001_S003	46
		U014_S001_S004	46
D0392993	SHAFT:TRANSPORT BELT:PULLEY	U014_S001_S003	47
		U014_S001_S004	47
D0394525	COMPRESSION SPRING:SHAFT:GUIDE PLATE:EXIT	U014_S001	48
D0394529	STOPPER:GUIDE PLATE:ROLLER:DRIVEN	U014_S001	49
D0394597	TENSION SPRING:DRIVEN ROLLER	U014_S001	50
D0394925	ROLLER:REVERSE:DRIVEN	U013_S001	20
D0394927	COMPRESSION SPRING:PRESSURE:REVERSE:DRIVEN	U013_S001	21
D0894465	SYNCHRONOUS BELT:S2M:136	U015_S004	35
D0895887	PANEL:INTERFACE	U016	41
D0A45122	PCB:DCSW:(SW4)	U016	42
D0BQ1113	GUIDE:HARNESS:RIGHT	U015	36
D0BQ1309	MAGNET CATCH:COVER:FRONT	U001_S003	9
		U001_S006	9
D0BQ1678	SHEET:FFC:LOWER	U004	23
D0BQ1713	SYNCHRONOUS BELT:890ST55-4.0	U004	24
D0BQ2071	CHARGE UNIT:ASS'Y	U007_S001_S001	7
		U007_S002_S001	7
		U007_S003_S001	7
		U007_S004_S001	7
D0BQ2608	SHAFT:SEPARATOR:DRIVEN:ASS'Y	U014_S001_S001	51
D0BQ2619	SHAFT:SEPARATOR:DRIVE:ASS'Y	U014_S001_S001	52

Number	Part Name	Group	ID
D0BQ2637	PAPER STOPPER:MANUAL FEED	U014_S001_S001	53
D0BQ2638	LINK:PAPER STOPPER:MANUAL FEED	U014_S001_S001	54
D0BQ2644	BRACKET:SIDE FENCE:MANUAL FEED	U014_S001_S002_S001	55
D0BQ2653	COIL SPRING:PRESSURE:SEPARATOR	U014_S001_S001	56
D0BQ2654	CUSHION:GUIDE PLATE:SEPARATOR	U014_S001_S001	57
D0BQ2655	GEAR:SEPARATE:DRIVE	U014_S001_S001	58
D0BQ2656	HOLDER:HARNESS	U014_S001	59
D0BQ2686	WIRE:MANUAL FEED TABLE:TC075	U014_S001_S002_S001	60
D0BQ2688	TENSION SPRING:WIRE	U014_S001_S002_S001	61
D0BQ2773	PULLEY:PICKUP:MECHANICAL ROLLER CLUTCH:U	U006_S001	36
		U006_S002	36
D0BQ2777	SHAFT:FEED:ASS'Y	U006_S001	37
		U006_S002	37
D0BQ2786	PLAIN SHAFT BEARING:FEED	U006_S001_S002	38
D0BQ2840	END FENCE:PAPER TRAY:ASS'Y	U006_S002_S002	38
		U006_S007_S001	39
D0BQ2952	DECAL:SIDE FENCE:PAPER VOLUME	U006_S008_S001	39
		U006_S007	40
D0BQ2954	DECAL:SIDE FENCE:PAPER VOLUME:ENVELOPE	U006_S008_S003	40
		U006_S008_S003	41
D0BQ2959	DECAL:SIDE FENCE:PAPER VOLUME:FRONT	U006_S007	42
D0BQ2966	STAY:END FENCE:ASS'Y	U006_S008_S002	42
		U006_S008_S002	43
D0BQ2967	KNOB SCREW:STAY:END FENCE	U006_S008_S002_S001	44
D0BQ3316	GEAR:IDLER:TRANSPORT SCREW	U008_S010	14
		U008_S011	14
		U008_S012	14
		U008_S013	14



## Exclusive Parts

Number	Part Name	Group	ID
D0BQ4102	DRIVEN ROLLER:FUSING EXIT:ASSY	U012_S001	48
D0BQ4214	EXIT ROLLER:FUSING EXIT:RIGHT	U012_S001	49
D0BQ4425	DC STEPPER MOTOR:REVERSE:SUB-ASSY:(M3)	U013_S001	22
D0BQ4644	GEAR:MECHANICAL ROLLER CLUTCH	U014_S001	62
D0BQ4645	SYNCHRONOUS BELT:30S2M118	U014_S001	63
D0BQ4646	SYNCHRONOUS BELT:30S2M262	U014_S001	64
D0BQ4647	SYNCHRONOUS BELT:30S2M212	U014_S001	65
D0BQ4648	SYNCHRONOUS BELT:30S2M300	U014_S001	66
D0BQ4654	SHAFT:LEVER:LOCK	U014_S001	67
D0BQ4680	BRACKET:DRIVEN ROLLER:PRESURE:PEEN	U014_S001	68
D0BQ4719	JIG:SENSOR:PAPER SIZE SENSOR	U014_S001	69
		U014_S001_S002	69
		U014_S001_S002_S001_S001	69
D0BQ4755	GEAR:OUTPUT:DUPLEX:ENTRANCE:CROWNING	U014	70
D0BQ4757	SPACER:DC MOTOR:DUPLEX:2	U014	71
D0BQ5172	(CHN):PCB:TCB:(PCB3/PCB4/PCB5/PCB6)	U008	34
D0BQ5534	PCB:LED	U002_S001	9
D0BQ5802	GUIDE:HARNESS:RACK	U016	43
D0BQ6048	LEVER ON-OFF BK	U009_S001	17
D0BQ6125	ROLLER:FLAT BELT-TRANSFER:FACE FRONT:ASSY	U009_S001_S001	18
D0BQ6170	SPACER:DENSITY SENSOR:0.05MM	U009	19
D0BQ6212	TRANSFER ROLLER:SECOND:ASSY	U010_S001	15
D0BQ6311	GEAR:ON-OFF:COLLAR:OUTPUT:HS	U009	20
D0BQ6322	BRACKET:TM SENSOR:FRONT:PEEN	U009	21
D0BQ6324	BRACKET:REAR:TM SENSOR	U009	22
D0BQ6338	BRACKET:TM SENSOR	U009	23

Number	Part Name	Group	ID
D0BQ6360	LEVER:ON-OFF:BK:MIDDLE	U009_S001_S001	24
D0BQ6400	COLLECTION BOTTLE:ASSY	U011_S001	13
D0BQ6511	PIPE:ASSY	U011_S002	14
D0BQ7937	FILTER:PREVENTFENCE:13.5	U017_S004	23
D0BQR031	LEVER:SAFETY SWITCH:RIGHT	U016_S001	44
D0BQR035	BASE:SAFETY SWITCH	U016_S001	45
D0BQR041	SAFETY SWITCH:ASSY	U016_S001	46
D0C95150	PCB:SMB:SERVICE	U016	47
D0CH2542	(EU/AA/IND/CHN):HEATER:DEHUMIDIFIER:ASSY	U019_S003	20
D0CH2892	(EU/AA/IND/CHN):HEAT SINK:HEATER:ASSY	U019_S003_S001	21
D0DB1744	DOCUMENT FEEDER:CABLE:BRACKET	U004	25
D0DY5101	PCB:IO:SUB-ASSY	U002_S001	10
D0DY5114	(CHN):PCB:SYSTEM:SUB-ASSY	U002_S001	32
D0E05767	(CHN):(IM C4510/GS4045c):PCB:CT L:SERVICE:IMC4510:(PCB11)	U016	104
D0E05769	(CHN):(IM C6010/GS4160c):PCB:CT L:SERVICE:IMC6010:(PCB11)	U016	105
D0E09591	NVRAM	U016	50
D0E12215	PCU:K:IMC3010-6010	U007_S001_S001	8
D0E15654	ROM STORAGE:SSD SATA 256GB GEN2	U016	52
D0E15868	COVER:FAX	U016	54
D0E1R481	(CHN):COVER:OUTER:WIFI:OPTION	U016	106
D0E1R484	(CHN):COVER:INTERFACE:WIFI:OPTION	U016	107
D0E1R485	(CHN):PANEL:CONTROL BOARD:WIFI:OPTION	U016	108
D0E22215	PCU:CMY:IMC4510-6010	U007_S002_S001	9
		U007_S003_S001	9
		U007_S004_S001	9
D0E22224	PCDU:K:IMC3010-6010	U007_S001	10
D0E22225	PCDU:C:IMC4510-6010	U007_S002	11
D0E22226	PCDU:M:IMC4510-6010	U007_S003	12
D0E22227	PCDU:Y:IMC4510-6010	U007_S004	13

## Exclusive Parts

Number	Part Name	Group	ID
D0E31090	LEVER:LOCK:PCU	U017	24
D0E31099	COVER:GRIP:LEFT	U017_S001	25
		U017_S002	25
D0E31117	DRIVE UNIT:ENGINE:ASS'Y	U015_S001	37
D0E31187	HOUSING:DRIVE UNIT:PAPER FEED:ASS'Y	U015_S003	38
D0E31194	PULLEY:FEED:NO.1:MECHANICAL ROLLER CLUTCH:T	U015_S003	39
D0E31196	GEAR:FEED:NO.2:MECHANICAL ROLLER CLUTCH:T	U015_S003	40
D0E31230	COVER:UPPER:	U001	10
D0E31231	COVER:UPPER:FRONT	U001	11
D0E31232	COVER:UPPER:EXIT	U001	12
D0E31233	COVER:UPPER:INNER BACK	U001	13
D0E31234	COVER:UPPER:INNER BACK:MIDDLE	U001	14
D0E31235	COVER:UPPER:INNER BACK:BIN:ZB	U001	15
D0E31237	COVER:UPPER:INNER BACK:LEFT LOWER	U001	16
D0E31240	COVER:FRONT:ASS'Y	U001_S002	17
		U001_S005	17
D0E31242	COVER:FRONT:PEEN_	U001_S002	18
		U001_S005	18
D0E31244	COVER:FRONT:RIGHT UPPER	U001	19
D0E31245	COVER:FRONT:UPPER	U001	20
D0E31246	COVER:FRONT:USED TONER:ASS'Y	U001_S003	21
		U001_S006	21
D0E31247	COVER:FRONT:USED TONER	U001_S003	22
		U001_S006	22
D0E31248	COVER:FRONT:LENGTHWISE	U001	23
D0E31250	COVER:LEFT	U001	24
D0E31251	COVER:LEFT:UPPER	U001	25
D0E31252	COVER:LEFT:UPPER:REAR	U001	26
D0E31257	CAP:34X55:ZB	U001	27
D0E31260	COVER:REAR:LOWER	U001	28
D0E31261	COVER:REAR	U001	29
D0E31263	CAP:LOUVER:DEODORIZE FILTER	U001	30

Number	Part Name	Group	ID
D0E31265	COVER:RIGHT:REAR	U001	31
D0E31266	COVER:RIGHT:FRONT LOWER	U001	32
D0E31267	COVER:RIGHT:UPPER	U001	33
D0E31273	INNER COVER:FRONT:LOWER	U001_S001	34
		U001_S004	34
D0E31274	INNER COVER:FRONT:LOWER:SUB-ASS'Y	U001_S001	35
		U001_S004	35
D0E31275	INNER COVER:FRONT:RIGHT LOWER	U001	36
D0E31276	INNER COVER:TONER BOTTLE	U001	37
D0E31281	COVER:SCANNER:FRONT	U001	38
D0E31284	COVER:SCANNER:LEFT	U001	39
D0E31287	COVER:SCANNER:RIGHT	U001	40
D0E31290	COVER:SCANNER:UPPER:REAR	U001	41
D0E31292	CAP:HARNESS:ZB	U001	42
D0E31294	(EU[IM C4510/C5510]/CHN[IM C4510/GS4045c]):CAP:HARNESS:CORNER:ZB	U001	61
D0E31313	KEY:TYPE:TONER BOTTLE	U001	43
D0E31331	HOLDER:GLASS:CLEANER:ASS'Y	U018	4
D0E31341	RAIL:PCU:K	U017	26
D0E31342	RAIL:PCU:C	U017	27
D0E31343	RAIL:PCU:M	U017	28
D0E31358	DRIVE UNIT:FUSING/PAPER EXIT UNIT:ASS'Y	U015_S004	62
D0E31399	DRIVE UNIT:PAPER FEED:ASS'Y	U015_S003	42
D0E31516	TOUCH PANEL:ASS'Y	U002_S001	13
D0E31517	(CHN):OPERATION SUB-UNIT:COMMON:ASS'Y	U002_S001	33
D0E31523	HINGE:RIGHT	U002	14
D0E31524	HINGE:LEFT	U002	15
D0E31545	COVER:OPERATION SUB-UNIT:REAR	U002_S001	16
D0E31546	KEYTOP:OPERATION SUB-UNIT:SERVICE	U002_S001	17
D0E31547	COVER:OPERATION SUB-UNIT:KEY SWITCH	U002_S001	18
D0E31548	COVER:OPERATION SUB-UNIT:RIGHT	U002_S001	19

## Exclusive Parts

Number	Part Name	Group	ID
	GHT		
D0E31549	COVER:OPERATION SUB-UNIT:US B	U002_S001	20
D0E31550	SPEAKER:ASS'Y	U002_S001_S001	21
D0E31554	GUIDE:OPERATION SUB-UNIT:HA RNESS	U002	22
D0E31555	CUSHION:LCD:L	U002_S001	23
D0E31556	CUSHION:LCD:S	U002_S001	24
D0E31592	COVER:BRACKET:OPERATION SU B-UNIT:LOWER:MF4	U002	30
D0E31593	COVER:BRACKET:OPERATION SU B-UNIT:UPPER:MF4	U002	31
D0E31595	BRACKET:OPERATION SUB-UNIT	U002	25
D0E31640	OPTICAL READING UNIT:CARRIAG E:SCANNER:IMC2010-6010	U004_S001	26
D0E31684	COVER:HARNESS:SCANNER	U004	27
D0E31719	DC STEPPER MOTOR:PRESS FIT:( M26)	U004	28
D0E31721	BRACKET:DC STEPPER MOTOR	U004	29
D0E31732	(EU/AA/TWN/IND/CHN):SCALE:LEF T:MM:ASS'Y	U004_S002	68
D0E31733	COVER:SHEET THROUGH:DOCUM ENT FEEDER	U004	30
D0E31738	(EU/AA/TWN/IND/CHN):SCALE:REA R:PRINTING:MM	U004	69
D0E31766	SHEET:FLAT CABLE:SBU	U004	33
D0E31780	ILLUMINATION UNIT:30LIGHT UNI T:ASS'Y	U004_S001	34
D0E31788	CAP:COVER:POSITIONING	U018	5
D0E31855	OPTICAL WRITING UNIT:IMC4500/I MC5500/IMC6000	U005_S001	10
D0E32567	CASE:REMOVE PAPER DUST	U006	45
D0E32571	GUIDE:POSITIONING:REGISTRATI ON:FRONT	U006	46
D0E32572	GUIDE:POSITIONING:REGISTRATI ON:REAR	U006	47
D0E32582	GUIDE PLATE:REGISTRATION:FR ONT RIGHT	U010	16

Number	Part Name	Group	ID
D0E32600	MANUAL FEED UNIT:ASS'Y	U014_S001_S001	72
D0E32603	MANUAL FEED TABLE:ASS'Y	U014_S001_S002 S001	73
D0E32622	COVER:DAMPER	U014_S001_S001	74
D0E32623	ARM:PICKUP:MANUAL FEED	U014_S001_S001	75
D0E32624	COVER:PAPER END	U014_S001_S001	76
D0E32625	BRACKET:PAPER END SENSOR:M ANUAL FEED	U014_S001_S001	77
D0E32631	SIDE FENCE:FRONT	U014_S001_S002 S001	78
D0E32633	SIDE FENCE:REAR	U014_S001_S002 S001	79
D0E32641	COVER:PAPER STOPPER:MANUA L FEED	U014_S001_S001	80
D0E32642	EXTENSION TRAY:NO.2	U014_S001_S002 S001	81
D0E32643	EXTENSION TRAY:NO.1	U014_S001_S002 S001	82
D0E32650	FLAT SCREW:M3X5:SIDE FENCE	U014_S001_S002 S001	83
D0E32658	COVER:PAPER FEED ROLLER	U014_S001_S001	84
D0E32671	GUIDE PLATE:VERTICAL TRANSP ORT:NO.1:DRIVEN:ASS'Y	U014_S001_S003	85
D0E32672	GUIDE PLATE:VERTICAL TRANSP ORT:NO.2:DRIVEN:ASS'Y	U014_S001_S004	86
D0E32673	GUIDE PLATE:VERTICAL TRANSP ORT:NO.1:DRIVEN	U014_S001_S003	87
D0E32693	ARM:MANUAL FEED:FRONT UPPE R	U014_S001_S002 S001	88
D0E32705	STAY:PAPER FEED UNIT:LOWER: ASS'Y	U006_S001_S001 U006_S002_S001	48 48
D0E32711	PAPER FEED UNIT:NO.1:ASS'Y	U006_S001	49
D0E32712	PAPER FEED UNIT:NO.2:ASS'Y	U006_S002	50
D0E32714	GUIDE PLATE:SWIVEL:NO.1	U006	51
D0E32721	GUIDE PLATE:SWIVEL:NO.2	U006	52
D0E32741	GUIDE PLATE:VERTICAL TRANSP ORT:PAPER FEED UNIT:NO.1	U006_S001	53
D0E32742	GUIDE PLATE:VERTICAL TRANSP	U006_S002	54

## Exclusive Parts

Number	Part Name	Group	ID
	ORT:PAPER FEED UNIT:NO.2		
D0E32800	PAPER TRAY:NO.1:ASS'Y	U006_S007	55
D0E32805	PAPER TRAY:NO.2:ASS'Y	U006_S008	56
D0E32818	LEVER:RISE	U006_S007	57
		U006_S008	57
D0E32822	SIDE FENCE:FRONT:NO.1	U006_S007	58
D0E32832	SIDE FENCE:REAR:NO.1	U006_S007	59
D0E32835	RACK:SIDE FENCE	U006_S007	60
		U006_S008	60
D0E32837	DECAL:SET:SIDE FENCE:AUXILIARY	U006_S008	61
D0E32856	GRIP:PAPER TRAY	U006_S007	62
		U006_S008	62
D0E32863	DECAL:PAPER SET DIRECTION:TRAY:NO.1	U006_S007	63
D0E32864	DECAL:PAPER SET DIRECTION:TRAY:NO.2	U006_S008	64
D0E32865	COVER:PAPER TRAY:NO.1	U006_S007	65
D0E32866	COVER:PAPER TRAY:NO.2	U006_S008	66
D0E32872	SIDE FENCE:AUXILIARY	U006_S008	67
D0E32874	TRAY BOTTOM PLATE:NO.2	U006_S007	68
		U006_S008	68
D0E32875	LINK:END FENCE:PAPER SIZE SENSOR	U006_S008	69
D0E32876	SIDE FENCE:FRONT:ASSY	U006_S008_S002	70
D0E32877	SIDE FENCE:FRONT:SUB-ASS'Y	U006_S008_S002	71
D0E32878	SIDE FENCE:FRONT:UNIVERSAL:NO.2	U006_S008_S002	72
D0E32879	SIDE FENCE:REAR:UNIVERSAL:NO.2	U006_S008_S003	73
D0E32880	SIDE FENCE:REAR:ASSY	U006_S008_S003	74
D0E32897	LATCH:SIDE FENCE	U006_S007	75
		U006_S008	75
D0E32913	HOLDER:POSITIONING	U006_S003	76
		U006_S004	76
D0E32924	STOPPER:PAPER TRAY	U006_S003	77
		U006_S004	77

Number	Part Name	Group	ID
D0E32925	SUPPORTER:LEFT:NO.2:PEEN	U006	78
D0E32945	OIL DAMPER:30MN	U006_S005	79
		U006_S006	79
D0E32990	PLAIN SHAFT BEARING:DRIVE:REGISTRATION ROLLER	U010	17
D0E33000	DEVELOPMENT UNIT:K:IMC3010-6010	U007_S001_S002	14
D0E33001	DEVELOPMENT UNIT:C:IMC4510-6010	U007_S002_S002	15
D0E33002	DEVELOPMENT UNIT:M:IMC4510-6010	U007_S003_S002	16
D0E33003	DEVELOPMENT UNIT:Y:IMC4510-6010	U007_S004_S002	17
D0E33143	JOINT:DEVELOPMENT	U007_S001_S002	18
		U007_S002_S002	18
		U007_S003_S002	18
		U007_S004_S002	18
D0E33194	COVER:PCU:REAR:ASS'Y	U007_S001	19
		U007_S002	19
		U007_S003	19
		U007_S004	19
D0E33310	DRIVE UNIT:TONER BOTTLE:ASS'Y	U008_S010	15
		U008_S011	15
		U008_S012	15
		U008_S013	15
D0E33321	DUCT:VERTICAL TRANSPORT:TONER SUPPLY	U008	16
D0E33322	SEAL:DUCT:TONER SUPPLY	U008	17
D0E33340	TONER HOPPER:TONER SUPPLY:K:ASS'Y	U008_S001	18
D0E33350	TONER HOPPER:TONER SUPPLY:C:ASS'Y	U008_S002	19
D0E33360	TONER HOPPER:TONER SUPPLY:M:ASS'Y	U008_S003	20
D0E33366	DC STEPPER MOTOR:TONER SUPPLY:ON-OFF:(M21)	U008_S003	21
D0E33370	TONER HOPPER:TONER SUPPLY:Y:ASS'Y	U008_S004	22

## Exclusive Parts

Number	Part Name	Group	ID
D0E33381	TRANSPORT SCREW:NOZZLE:BK:ASS'Y	U008_S005	23
D0E33382	TRANSPORT SCREW:NOZZLE:CMY:ASS'Y	U008_S006	24
		U008_S007	24
		U008_S008	24
D0E33388	BASE:TONER HOPPER:REAR:ASS'Y	U008_S009	25
D0E34022	(EU/AA/IND/CHN):FUSING UNIT:220-240V:IMC4510-6010	U012_S001	94
D0E34052	(EU/AA/IND/CHN):SLEEVE:FUSING:220-240V:IMC4510-6010	U012_S001_S002	95
D0E34366	BRACKET:THERMOPILE	U012	52
D0E34404	PAPER EXIT UNIT:ASS'Y	U013_S001	23
D0E34426	BRACKET:DC STEPPER MOTOR:REVERSE	U013_S001	24
D0E34441	GUIDE PLATE:EXIT:UPPER	U013_S001	25
D0E34466	GUIDE PLATE:REVERSE:LOWER	U013_S001	26
D0E34474	END FENCE:TRAY:EXIT	U018	6
D0E34492	TRAY:REVERSE	U001	44
D0E34494	TRAY:AUXILIARY:EXIT:ZB	U013	27
D0E34497	TRAY:EXIT	U013	28
D0E34555	DUPLEX UNIT:IMC3010-6010	U014_S001	89
D0E34563	MANUAL FEED TABLE:IMC2010-6010	U014_S001_S002	90
D0E34570	PAPER SIZE SENSOR:SENSOR:IMC2010-6010:(S7)	U014_S001_S002_S001_S001	91
D0E34655	GRIP:DUPLEX UNIT	U014_S001	92
D0E34660	GUIDE PLATE:UPPER:RIGHT:DUPLEX	U014_S001	93
D0E34673	GUIDE PLATE:DRIVEN	U014_S001	94
D0E34693	INNER COVER:FRONT:DUPLEX	U014_S001	95
D0E34695	LINK:FRONT_MF4	U014_S001	96
D0E34696	INNER COVER:REAR:LOWER:DUPLEX	U014_S001	97
D0E34697	INNER COVER:RREA:UPPER:DUPLEX	U014_S001	98
D0E34707	PIN:ARM:FRONT LOWER	U014_S001_S002_S001	99

Number	Part Name	Group	ID
D0E34711	DECAL:SIDE FENCE:MANUAL FEED	U014_S001_S002_S001	100
D0E34715	DECAL:GRIP:Z	U014_S001	101
D0E34717	PLATE:SIDE FENCE:FRONT	U014_S001_S002_S001	102
D0E34720	PLATE:SIDE FENCE:REAR	U014_S001_S002_S001	103
D0E34737	PLAIN SHAFT BEARING:DUPLEX:EXIT	U014_S001	104
D0E34850	ARM:PUSH SWITCH	U014_S001	105
D0E34886	ARM:MANUAL FEED:FRONT LOWER	U014_S001_S002_S001	106
D0E34921	COVER:GUIDE PLATE:DRIVEN	U014_S001	107
D0E34932	BRACKET:POSITIONING:PAPER EXIT UNIT	U013	29
D0E34937	INNER COVER:EXIT	U013	30
D0E34949	GUIDE:HARNESS:REVERSE	U013_S001	31
D0E34961	BASE:PLATE:EXIT:B	U013	32
D0E34994	GUIDE PLATE:EXIT:LOWER	U013_S001	33
D0E34995	GUIDE PLATE:UPPER	U014_S001	108
D0E35114	BICU:ASS'Y:(PCB10)	U016	55
D0E35126	PCB:IOB-EXTEND:(PCB2)	U016	56
<b>D0E35153</b>	<b>POWER PACK:CB:IMC:4510-6010:(PCB19)</b>	<b>U016</b>	<b>57</b>
D0E35164	(EU/AA/IND/CHN):AC CONTROL BOARD:(PCB9)	U016	103
D0E35740	BRACKET:HARNESS:OPTICAL WRITING UNIT:PEEN	U016	59
D0E35765	CASE:POWER PACK:CB	U016	60
D0E35810	BRACKET:RACK:UPPER	U016	61
D0E35814	GUIDE:HARNESS:RACK:LOWER	U016	62
D0E35816	STAY:RACK:LOWER	U016	63
D0E35823	BRACKET:BASE:POWER SUPPLY UNIT:PEEN	U016	64
D0E35824	COVER:SD-CARD	U016	65
D0E35825	COVER:PSU	U016	66
D0E35886	GASKET:32TA L15-18(AZD6)H L=20	U016	67

## Exclusive Parts

Number	Part Name	Group	ID
D0E36003	TRANSFER UNIT:INTERMEDIATE TRANSFER:ASS'Y	U009_S001_S001	25
D0E36005	TRANSFER UNIT:INTERMEDIATE TRANSFER:IMC2010-6010	U009_S001	26
D0E36051	TRANSFER ROLLER:BK:ASS'Y	U009_S001_S001	27
D0E36061	TRANSFER ROLLER:FC:ASS'Y	U009_S001_S001	28
D0E36097	FLAT BELT-TRANSFER:INTERMEDIATE TRANSFER:SR	U009_S001_S001	29
D0E36139	BELT CLEANING:INTERMEDIATE TRANSFER	U009_S001_S002	30
D0E36141	CLEANING UNIT:BELT CLEANING:ASS'Y	U009_S001_S002_S001	31
D0E36172	BRACKET:BELT CLEANING:FRONT	U009_S001	32
D0E36180	TONER OUTLET UNIT:BELT CLEANING:ASS'Y	U009_S001_S002_S002	33
D0E36215	GUIDE PLATE:TRANSFER:SECOND:ASS'Y	U010_S002	18
D0E36244	GROUND PLATE:SEPARATION	U010_S002	19
D0E36583	GEAR:USED TONER:INPUT	U011	15
D0E36767	(CHN):DECAL:CAUTION:ORIGINAL:CHINESE	U018	29
D0E36845	(GS4045c):PLATE:MODEL NAME PLATE:GS4045C	U018	30
D0E36852	(EU/TWN/CHN):DECAL:MAIN SWITCH:ON-STANDBY	U018	21
D0E36857	(CHN):DECAL:INKJET:TRAY:NO.1:CHN	U018	31
D0E36858	(CHN):DECAL:INKJET:PAPER FEE D	U018	32
D0E36859	DECAL:CLEANING:SHIELD GLASS	U001_S002	45
		U001_S005	45
D0E36863	(CHN):DECAL:INKJET:CHN:MANUAL FEED	U018	33
D0E36864	(CHN[IM C4510/C6010]/NA/EU/AA/TWN/IND):PLATE:LOGOTYPE:RIC	U018	10
D0E36865	(GS4045c/GS4160c):PLATE:LOGOTYPE:GESTETNER	U018	34

Number	Part Name	Group	ID
D0E36872	(IM C4510):PLATE:MODEL NAME PLATE:C4510	U018	11
D0E36874	(IM C6010):PLATE:MODEL NAME PLATE:C6010	U018	12
D0E36902	DECAL:SIZE INDICATION:PAPER TRAY	U018	13
D0E37920	COVER:FAN:DEVELOPMENT:RIGHT:ASS'Y	U017_S003	29
D0E37935	CAP:FILTER:ASS'Y	U017_S004	30
D0E37936	CAP:LOUVER:FILTER:LEFT	U017_S004	31
D0E37953	DUCT:SUPPLY:C	U017	32
D0E37968	COVER:FAN:DEVELOPMENT:RIGHT LOWER	U017_S003	33
D0E37982	DUCT:POWER SUPPLY UNIT	U017	34
D0E37983	BRACKET:FAN:POWER SUPPLY UNIT	U017	35
D0E37984	DUCT:REAR:POWER SUPPLY UNIT	U016	68
D0E37985	SEAL:RAIL:PCU:Y	U017	36
<b>D0F21199</b>	<b>DRIVE UNIT:ON-OFF:TRANSFER:(M18)</b>	<b>U015_S002</b>	<b>43</b>
D1124264	DECAL:WARNING (HIGH TEMPERATURE):FUSING	U012_S001	53
D1175303	THERMISTOR:(S33)	U017	37
D1175916	STEPPED SCREW:M3X8:SECOND KIND	U009_S001	34
D1292783	TORQUE LIMITER MECHANICAL CLUTCH:40MM:DIA18	U006_S001	80
		U006_S002	80
		U014_S001_S001	109
D1421805	SHAFT:SCALE	U016_S001	69
D1441085	STEPPED SCREW:M3	U009_S001_S001	35
D1444183	SCREW:M3	U004	35
D1444484	SHOULDER SCREW - M3	U013_S001	34
D1444489	STOPPER:DRIVEN ROLLER	U014_S001_S003	110
		U014_S001_S004	110
D1465786	BRACKET:HDD	U016	70
D1471805	EXPOSURE GLASS:DOCUMENT FEEDER:APPLY	U004	36

Exclusive Parts

Number	Part Name	Group	ID
D1472734	GUIDE PLATE:SEPARATE	U006_S001_S001	81
		U006_S002_S001	81
D1472737	LEVER:PRESSURE:SEPARATE	U006_S001_S001	82
		U006_S002_S001	82
D1472738	LINK:RELEASE	U006_S001_S001	83
		U006_S002_S001	83
D1472752	SHAFT:SEPARATE:ASS'Y	U006_S001_S001	84
		U006_S002_S001	84
D1473325	TORSION SPRING:STOPPER:TONER CARTRIDGE:4.8N	U008	26
D1482702	SPACER:TRANSPORT ROLLER	U006_S001	85
		U006_S002	85
D1482751	ARM:PRESSURE:SEPARATE	U006_S001_S001	86
		U006_S002_S001	86
D1482755	COIL SPRING:RELEASE:SEPARATE	U006_S001_S001	87
		U006_S002_S001	87
D1482942	TENSION SPRING:LEVER	U006_S005	88
		U006_S006	88
D1484690	TORSION SPRING:LINK	U014_S001	111
D1491099	COVER:GRIP:LEFT	U017_S001	38
		U017_S002	38
D1491168	BRACKET:DRIVE:COLLECTION BOTTLE:ASS'Y	U011	16
D1491173	GEAR:IDLER:TONER BOTTLE	U011	17
D1491174	GEAR:COLLECTION BOTTLE	U011	18
D1491195	GEAR:IDLER:PAPER FEED:FEED	U015_S003	44
D1491197	GEAR:IDLER:PAPER FEED:GRIP:NO.1	U015_S003	45
D1491248	HINGE:COVER:FRONT:USED TONER	U001_S003	46
		U001_S006	46
D1491274	INNER COVER:FRONT:USED TONER	U001	47
D1491278	TORSION SPRING:COVER:USED TONER	U001	48
D1491338	GUIDE PLATE:PAPER FEED TABLE:FRONT	U017	39
D1491351	DRIVE UNIT:REGISTRATION:ASS'Y	U015_S005	46
D1491352	BRACKET:DRIVE UNIT:REGISTRATION:ASS'Y	U015_S005	47

Number	Part Name	Group	ID
	TION:ASS'Y		
D1491355	GEAR:REGISTRATION:NO.1	U015_S005	48
D1491387	GROUND PLATE:DRIVE UNIT:ENGINE	U015	49
D1491392	FLANGE:PAPER FEED:FEED	U015_S003	50
D1491394	GROUND PLATE:DRIVE UNIT:FUSING/PAPER EXIT UNIT	U015	51
D1491397	TORQUE LIMITER MECHANICAL CLUTCH:49MM:DIA14	U015_S004	52
D1491706	SYNCHRONOUS BELT:138ST1.5-4.0	U004	37
D1491798	SEAL:SHEET THROUGH:DOCUMENT FEEDER	U004	38
D1491804	HOLDER:EXPOSURE GLASS:SCANNER	U004	39
D1491833	SHEET:GLASS	U004	40
D1491840	GROUND PLATE:AKS	U004	41
D1492373	SEAL:CASE:COATING BAR:TENSION SPRING	U001	49
		U007_S001_S001	20
		U007_S002_S001	20
		U007_S003_S001	20
		U007_S004_S001	20
D1492557	GUIDE:REGISTRATION:ENTRANCE:REAR	U014_S001	112
D1492558	GUIDE:REGISTRATION:ENTRANCE:FRONT	U014_S001	113
D1492562	COLLAR:REGISTRATION ROLLER	U006	89
D1492584	COLLAR:SHAFT:REGISTRATION ROLLER	U010	20
D1492585	GUIDE:REGISTRATION:REAR RIGHT	U010	21
D1492586	GUIDE:REGISTRATION:FRONT RIGHT	U010	22
D1492612	ROLLER:GRIP:DRIVEN	U014_S001_S001	114
D1492613	SHAFT:GRIP:DRIVEN	U014_S001_S001	115
D1492614	TENSION SPRING:GRIP:PRESSURE	U014_S001_S001	116
D1492633	SHAFT:FEED:MANUAL FEED	U014_S001_S001	117

## Exclusive Parts

Number	Part Name	Group	ID
D1492635	TRANSPORT ROLLER:MANUAL FEED	U014_S001_S001	118
D1492639	SHAFT:PAPER STOPPER	U014_S001_S001	119
D1492642	SHAFT:LINK:PAPER STOPPER	U014_S001_S001	120
D1492655	FEELER:PAPER END SENSOR	U014_S001_S001	121
D1492656	TORSION SPRING:PAPER END SENSOR	U014_S001_S001	122
D1492693	STOPPER:MANUAL FEED TABLE	U014_S001_S002	123
D1492694	COMPRESSION SPRING:STOPPER:MANUAL FEED TABLE	U014_S001_S002	124
D1492712	SHEET:GUIDE PLATE:SWIVEL	U006	90
D1492739	LEVER:PRESSURE RELEASE	U006_S001_S001	91
		U006_S002_S001	91
D1492772	ARM:PICKUP	U006_S001	92
		U006_S002	92
D1492774	PULLEY:IDLER:PICKUP	U006_S001	93
		U006_S002	93
D1492777	COIL SPRING:PRESSURE:PICKUP	U006_S001	94
		U006_S002	94
D1492780	GROUND WIRE:SENSOR:PAPER FEED	U006_S001	95
		U006_S002	95
D1492781	GROUND PLATE:PAPER FEED UNIT	U006_S001	96
		U006_S002	96
D1492784	BRACKET:SENSOR:PAPER FEED	U006_S001	97
		U006_S002	97
D1492787	BRACKET:SUPPORT:COVER	U006	98
D1492788	INNER COVER:HARNESS:PAPER FEED UNIT	U006	99
D1492795	BRACKET:PAPER FEED UNIT:PEEN	U017	40
D1492812	ROLLER:PAPER TRAY:DIA19	U006_S007	100
		U006_S008	100
D1492813	PIN:STRETCH:TRAY	U006_S007	101
		U006_S008	101
D1492814	COIL SPRING:EARTH	U006_S007	102
		U006_S008	102
D1492816	SHAFT:RISE:ASS'Y	U006_S007	103

Number	Part Name	Group	ID
		U006_S008	103
D1492824	LEVER:STOPPER:FRONT	U006_S007	104
		U006_S008_S002	104
D1492826	COMPRESSION SPRING:SIDE FENCE:PLATE:FRONT	U006_S007	105
		U006_S008_S002	105
D1492827	COMPRESSION SPRING:SIDE FENCE:POSITIONING	U006_S007	106
		U006_S008_S002	106
D1492836	GEAR:Z20	U006_S007	107
		U006_S008	107
D1492842	LEVER:END FENCE	U006_S007_S001	108
		U006_S008_S001	108
D1492843	CLICK:END FENCE	U006_S007_S001	109
		U006_S008_S001	109
D1492845	COMPRESSION SPRING:END FENCE:LEVER:5N	U006_S007_S001	110
		U006_S008_S001	110
D1492886	COVER:TRAY:REAR RIGHT:NO.1	U006	111
D1492887	COVER:TRAY:REAR LEFT:NO.1	U006	112
D1492888	COVER:TRAY:REAR RIGHT:NO.2	U006	113
D1492889	COVER:TRAY:REAR LEFT:NO.2	U006	114
D1492898	COVER:HEATER:PAPER TRAY	U019_S003_S001	10
D1492899	HEAT SINK:HEATER	U019_S003_S001	11
D1492903	SUPPORTER:RIGHT:NO.2:ASS'Y	U006_S004	115
D1492905	SUPPORTER:RIGHT:NO.1:ASS'Y	U006_S003	116
D1492918	SUPPORTER:LEFT UPPER:NO.1	U006	117
D1492920	SUPPORTER:RIGHT:PEEN	U006_S004	118
D1492923	ROLLER:SUPPORTER:PAPER TRAY	U006_S004	119
D1492928	ROLLER:SUPPORTER:PAPER TRAY:LEFT	U006	120
D1492930	SUPPORTER:LEFT LOWER:NO.1:PEEN	U006	121
D1492937	GEAR:LEVER:STRETCH	U006_S005	122
		U006_S006	122
D1492938	GEAR:IDLER:Z25	U006_S005	123
		U006_S006	123
D1492948	GEAR:IDLER:Z26	U006_S005	124
		U006_S006	124
D1492956	ROLLER:SUPPORTER:PAPER TRAY	U006_S003	125



## Exclusive Parts

Number	Part Name	Group	ID
	Y		
D1492958	ROLLER:SUPPORTER:PAPER TRAY:LEFT	U006	126
D1492961	LEVER:STRETCH:PEEN	U006_S005	127
		U006_S006	127
D1492964	LEVER:LOCK:PAWL	U006_S005	128
		U006_S006	128
D1492965	LEVER:STRETCH:COIL SPRING	U006_S005	129
		U006_S006	129
D1493210	DC MOTOR:TONER BOTTLE:ASS'Y:5.28W:BRUSH:(M30/M31/M32/M34)	U008_S010	27
		U008_S011	27
		U008_S012	27
		U008_S013	27
D1493322	SHUTTER:DUCT:TONER SUPPLY	U008	28
D1493331	COVER:GEAR:TONER SUPPLY SUB-UNIT	U008	29
D1493343	COLLAR:TONER SUPPLY	U008	30
		U008_S003	30
		U008_S010	30
		U008_S011	30
		U008_S012	30
		U008_S013	30
D1493350	DC STEPPER MOTOR:TONER SUPPLY:(M19/M20/M22)	U008_S001	31
		U008_S002	31
		U008_S004	31
D1494209	SHAFT:ON-OFF:PRESSURE ROLLER	U012_S001	54
D1494235	STEPPED SCREW:M3	U012_S001	55
D1494335	ELECTRODE PLATE:CONNECTING:THERMOSTAT	U012_S001	56
D1494371	BRACKET:PHOTOINTERRUPTOR	U012	57
D1494421	GEAR:EXIT ROLLER	U013_S001	35
D1494422	GEAR:REVERSE ROLLER	U013_S001	36
D1494427	STUD:PULLEY:BRACKET:DC STEPPER MOTOR	U013_S001	37
D1494428	GROUND PLATE:PAPER EXIT UNIT	U013_S001	38
D1494429	PULLEY:GEAR:REVERSE	U013_S001	39

Number	Part Name	Group	ID
D1494434	TENSION SPRING:LEVER:GATE PAWL	U013_S001	40
D1494463	GROUND WIRE:SENSOR:REVERSE	U013_S001	41
D1494468	SHAFT:DRIVEN:REVERSE ROLLER	U013_S001	42
D1494469	SPRING PLATE:ROLLER:DRIVEN:REVERSE ROLLER	U013_S001	43
D1494471	SHAFT:DRIVEN:REVERSE ROLLER:OUTER	U013_S001	44
D1494474	LINK:END FENCE:TRAY:EXIT	U018	18
D1494484	TORSION SPRING:LEVER:GATE PAWL	U013_S001	45
D1494623	GROUND WIRE:BRACKET:ENTRANCE:DUPLEX	U014	125
D1494638	GUIDE:WIRE	U014_S001	126
D1494653	TENSION SPRING:SWIVEL	U014_S001	127
D1494656	HOOK:STOPPER:DUPLEX UNIT:FRONT	U014_S001	128
D1494657	HOOK:STOPPER:DUPLEX UNIT:REAR	U014_S001	129
D1494658	COIL SPRING:LEVER:DUPLEX	U014_S001	130
D1494662	DIFFUSION PLATE:LED	U010_S002	23
D1494672	COMPRESSION SPRING:DRIVEN	U014_S001	131
D1494675	COVER:PUSH SWITCH	U014_S001	132
D1494677	STAY:CONTACT POINT:GUIDE PLATE:DRIVEN	U014_S001	133
D1494688	LINK:DUPLEX:MAIN	U014_S001	134
D1494718	TORSION SPRING:SIDE FENCE:FRONT	U014_S001_S002	135
D1494721	TORSION SPRING:SIDE FENCE:REAR	U014_S001_S002	136
D1494731	COMPRESSION SPRING:RACK:MANUAL FEED	U014_S001_S002	137
D1494755	BRACKET:HINGE:DUPLEX:FRONT	U014	138
D1494777	COMPRESSION SPRING:FLAT CONVEYER BELT:DRIVEN	U014_S001_S003	139
		U014_S001_S004	139
D1495711	BRACKET:ARM:SAFETY SWITCH:FRONT	U016_S001	71

## Exclusive Parts

Number	Part Name	Group	ID
	RONT		
D1495713	ARM:SAFETY SWITCH:FRONT	U016_S001	72
D1495714	SHAFT:ARM:SAFETY SWITCH	U016_S001	73
D1495718	TORSION SPRING:SAFETY SWITCH	U016_S001	74
D1495742	COVER:HARNESS:OPTICAL WRITING UNIT	U016	75
D1495776	COVER:USB:SMALL	U016	76
D1495824	COVER:CONNECTOR:HEATER:0.4MM	U016	77
D1495883	KEYTOP:MAIN SWITCH	U001	50
D1495884	COMPRESSION SPRING:KEYTOP	U001	51
D1496030	CAM:ON-OFF:COLLAR	U009_S001_S001	36
D1496039	COMPRESSION SPRING:LEVER	U009_S001_S001	37
D1496133	VIBRATING PLATE:FRONT:PEEN	U009_S001_S001	38
D1496136	VIBRATING PLATE:REAR:PEEN	U009_S001_S001	39
D1496163	TENSION SPRING:SHUTTER:BELT CLEANING	U009_S001_S002	40
		U009_S001_S002	40
D1496173	BRACKET:BELT CLEANING:REAR	U009_S001	41
D1496179	GEAR:IDLER:DISCHARGE USED TONER	U009_S001_S002	42
D1496190	GEAR:DISCHARGE USED TONER	U009_S001_S002	43
D1496195	CAM:DISCHARGE USED TONER	U009_S001_S002	44
D1496226	LEVER:TRANSFER/SEPARATION UNIT:FRONT	U010_S002	24
D1496227	LEVER:SET:FRONT	U010_S002	25
D1496228	TORSION SPRING:LEVER:SET:FRONT	U010_S002	26
D1496229	TENSION SPRING:LEVER:SET	U010_S002	27
D1496231	LEVER:TRANSFER/SEPARATION UNIT:REAR	U010_S002	28
D1496232	LEVER:SET:REAR	U010_S002	29
D1496233	TORSION SPRING:LEVER:SET:REAR	U010_S002	30

Number	Part Name	Group	ID
D1496242	COMPRESSION SPRING:PRESSURE:TRANSFER ROLLER	U010_S002	31
D1496243	RECEIVE PLATE:COMPRESSION SPRING:TRANSFER ROLLER	U010_S002	32
D1496245	GROUND PLATE:TRANSFER/SEPARATION UNIT	U010_S002	33
D1496248	CAP:LED	U010_S002	34
D1496254	DECAL:GRIP:B:LOWER	U010_S002	35
D1496257	GROUND PLATE:REGISTRATION ROLLER	U010_S002	36
D1496290	GUIDE:SET:TRANSFER/SEPARATION UNIT:FRONT	U010	37
D1496291	GUIDE:SET:TRANSFER/SEPARATION UNIT:REAR	U010	38
D1496295	COVER:HARNESS:TRANSFER/SEPARATION UNIT	U010	39
D1496309	SHAFT:ON-OFF:COLLAR:MAIN	U009	45
D1496310	BRACKET:ON-OFF:COLLAR	U009	46
D1496312	JOINT:ON-OFF:COLLAR	U009	47
D1496320	TERMINAL:BIAS:INTERMEDIATE TRANSFER:MAIN	U009	48
D1496321	HOLDER:TERMINAL:INTERMEDIATE TRANSFER:MAIN	U009	49
D1496552	GEAR:IDLER:Z30	U011	19
D1496554	GEAR:PULLEY:IDLER:Z16	U011	20
D1496555	GEAR:IDLER:Z21	U011	21
D1496556	TENSION SPRING:BELT TENSIONER	U011	22
D1496557	SYNCHRONOUS BELT:40S3M564	U011	23
D1496558	GEAR:IDLER:Z61	U011	24
D1496561	PULLEY:USED TONER	U011	25
D1496562	BRACKET:TIGHTENER:USED TONER	U011	26
D1496571	BRACKET:PULLEY:IDLER:USED TONER	U011	27
D1496574	GEAR:PULLEY:IDLER:Z18	U011	28
D1496575	FLANGE:IDLER:USED TONER	U011	29
D1496581	SHAFT:DRIVE:USED TONER:RIGHT	U011	30

## Exclusive Parts

Number	Part Name	Group	ID
	T		
D1496582	GEAR:USED TONER:RIGHT	U011	31
D1496586	SHAFT:DRIVE:USED TONER:LEFT	U011	32
D1496587	GEAR:USED TONER:LEFT	U011	33
D1496592	RAIL:COLLECTION BOTTLE	U011	34
D1496893	DECAL:PCU:BLACK	U001	52
D1496894	DECAL:PCU:CYAN	U001	53
D1496895	DECAL:PCU:MAGENTA	U001	54
D1496896	DECAL:PCU:YELLOW	U001	55
D1497923	DUCT:DEVELOPMENT:RIGHT LOWER	U017_S003	41
D1497932	DUCT:PCU:EXHAUST	U017	42
D1497938	OZONE FILTER	U017_S004	43
D1497951	DUCT:SUPPLY:A	U017	44
D1497952	DUCT:SUPPLY:B	U017	45
D1497955	DUCT:SUPPLY:FAN:UPPER	U017	46
D1497956	DUCT:SUPPLY:FAN:LOWER	U017	47
D1497957	DUCT:DRIVE:COOLING:A	U017	48
D1497958	DUCT:DRIVE:COOLING:B	U017	49
D1497971	DUCT:EXHAUST:REAR:A	U017	50
D1497972	DUCT:EXHAUST:REAR:B	U017	51
D1497973	DUCT:EXHAUST:REAR:C	U017	52
D1497986	GUIDE:THERMISTOR	U017	53
D1502666	GEAR:SIDE FENCE:MANUAL FEED TABLE	U014_S001_S002_S001	140
D1751377	GEAR:PRESSURE RELEASE:NO.3	U015_S004	53
D1752726	STOPPER:GUIDE PLATE:SWIVEL	U006_S002	130
D1771302	CLEANER:SHIELD GLASS:ASS'Y	U018	19
D2021143	JOINT:DRIVE	U015_S003	54
D2021191	GEAR:GRIP:NO.1	U015_S003	55
D2021193	STUD:PAPER FEED:GRIP:ASS'Y	U015_S003	56
D2021195	PULLEY:GRIP:NO.2	U015_S003	57
D2022614	COIL SPRING:RELEASE:PICKUP:MANUAL FEED	U014_S001_S001	141
D2022619	TORSION SPRING:PICKUP	U014_S001_S001	142
D2022620	SHOE:TORSION SPRING:PICKUP	U014_S001_S001	143
D2022638	FEELER:PAPER SIZE SENSOR:MANUAL FEED	U014_S001_S002_S001	144

Number	Part Name	Group	ID
D2022642	PULLEY:WIRE:MANUAL FEED TABLE	U014_S001_S002_S001	145
D2022646	ARM:MANUAL FEED:REAR UPPER	U014_S001_S002_S001	146
D2022778	FEELER:PAPER END	U006_S001	131
		U006_S002	131
D2022791	GUIDE:FEED	U006_S001	132
		U006_S002	132
D2024477	REVERSE ROLLER	U013_S001	46
D2024673	FEELER:DUPLEX:ENTRANCE SENSOR	U014_S001	147
D2024674	TORSION SPRING:DUPLEX:ENTRANCE SENSOR	U014_S001	148
D2024679	DRIVEN ROLLER:DIA16:DUPLEX	U014_S001	149
D2024682	DRIVEN ROLLER:DIA16	U014_S001	150
D2024684	GROUND WIRE:BRACKET:DRIVEN ROLLER	U014_S001	151
D2024692	SHAFT:PRESSURE:GUIDE PLATE:UPPER	U014_S001	152
D2024722	LINK:DUPLEX	U014_S001	153
D2024726	TORSION SPRING:LINK:CONTACT POINT	U014_S001	154
D2026255	DECAL:GRIP:B	U010_S002	40
D2395889	RAIL:FAX	U016	78
D2411115	GUIDE:HARNESS:LEFT	U015	58
D2411242	COVER:MAIN SWITCH	U006_S007	133
D2411298	INNER COVER:RIGHT	U001	56
D2411308	BAND:STOPPER:DOOR	U001	57
D2411309	MAGNET CATCH	U001_S002	58
		U001_S005	58
D2411378	GEAR:FUSING:NO.3	U015_S004	59
D2411396	HOLDER:TORQUE LIMITER MECHANICAL CLUTCH:PRESSURE RELEASE	U015_S004	60
D2411671	PROTECTION:CARRIAGE:SCANNER	U004	42
D2411680	GUIDE ROD	U004	43
D2411681	STAY:GUIDE ROD	U004	44

## Exclusive Parts

Number	Part Name	Group	ID
D2411685	SPRING PLATE:GUIDE ROD	U004	45
D2411686	CLAMP:STAY:GUIDE ROD	U004	46
D2411688	SHEET:GLASS:LARGE	U004	47
D2411689	HOLDER:EXPOSURE GLASS	U004	48
D2411697	SLIDE RAIL	U004	49
D2411698	COVER:BASE:SCANNER	U004	50
D2411701	PULLEY:IDLER:LEADING EDGE	U004	51
D2411702	CAP:PULLEY:IDLER:LEADING EDGE	U004	52
D2411708	TIGHTENER:DIA8	U004	53
D2411710	PULLEY:IDLER:TRAILING EDGE	U004	54
D2411711	CAP:IDLER:TRAILING EDGE	U004	55
D2411712	TENSION SPRING:TIGHTENER:TENSION:4N	U004	56
D2411715	PULLEY:DRIVE	U004	57
D2411716	CAP:PULLEY:DRIVE:UPPER	U004	58
D2411717	CAP:PULLEY:DRIVE:LOWER	U004	59
D2411722	TENSION SPRING:TENSION:11N	U004	60
D2411727	SHEET:GAP:ASS'Y	U004	61
D2411741	BRACKET:DOCUMENT FEEDER:LEFT	U004	62
D2411742	BRACKET:DOCUMENT FEEDER:RIGHT	U004	63
D2411767	PLAIN SHAFT BEARING:90ANG	U004_S001	64
D2411768	SLIDE SHOE	U004_S001	65
D2411770	HOLDER:FERRITE CORE	U004	66
D2411796	BRACKET:HEATER:SCANNER	U019	14
D2411797	COVER:HEATER:SCANNER	U019	15
D2412559	SHAFT:REGISTRATION ROLLER:DRIVEN	U006	134
D2412576	GUIDE PLATE:REGISTRATION:FRONT LEFT	U006	135
D2412583	REGISTRATION ROLLER:DRIVE	U010	41
D2412612	DC SOLENOID:PICKUP:ASS'Y:(SO L1)	U014_S001_S001	155
D2412643	ARM:LINK:PAPER STOPPER	U014_S001_S001	156
D2412644	TORSION SPRING:LINK:PAPER STOPPER	U014_S001_S001	157

Number	Part Name	Group	ID
D2412652	GROUND PLATE:SHAFT:FEED	U014_S001_S001	158
D2412657	GROUND WIRE:MANUAL FEED UNIT:REAR	U014_S001_S001	159
D2412674	GUIDE PLATE:VERTICAL TRANSPORT:NO.2:DRIVEN	U014_S001_S004	160
D2412676	HOLDER:DRIVEN:BELT	U014_S001_S003	161
		U014_S001_S004	161
D2412678	SHAFT:FLAT CONVEYER BELT:DRIVEN	U014_S001_S003	162
		U014_S001_S004	162
D2412682	STAY:REAR:MANUAL FEED TABLE	U014_S001_S002	163
		S001	
D2412719	GROUND PLATE:SENSOR:TRANSPORT	U006_S001	136
		U006_S002	136
D2412730	STAY:SEPARATE:PEEN	U006_S001_S001	137
		U006_S002_S001	137
D2412731	STOPPER:GUIDE PLATE:SWIVEL	U006	138
D2412736	BRACKET:SEPARATE:REAR	U006_S001_S001	139
		U006_S002_S001	139
D2412754	COIL SPRING:PRESSURE:SEPARATE	U006_S001_S001	140
		U006_S002_S001	140
D2412760	STAY:PAPER FEED UNIT:UPPER:PEEN	U006_S001	141
		U006_S002	141
D2412762	TRANSPORT ROLLER:VERTICAL TRANSPORT:ASS'Y	U006_S001	142
		U006_S002	142
D2412782	PLATE:HARNESS:PAPER FEED UNIT	U006_S001	143
		U006_S002	143
D2412896	SHEET:HEAT SINK:HEATER	U019_S003_S001	16
D2412906	LEVER:STRETCH:PAPER TRAY:ASS'Y	U006_S005	144
		U006_S006	144
D2412943	TENSION SPRING:LEVER:AUXILIARY	U006_S005	145
		U006_S006	145
D2412991	PLAIN SHAFT BEARING:INNER:DRIVE:REGISTRATION ROLLER	U010	42
D2412993	STOPPER:REGISTRATION ROLLER	U010	43
D2412994	COMPRESSION SPRING:REGISTRATION:INNER:DRIVE	U010	44
D2413336	COVER:GEAR:TONER SUPPLY SU	U008	32

## Exclusive Parts

Number	Part Name	Group	ID
	B-UNIT:C		
D2414023	HOLDER:DRIVEN ROLLER:FUSING EXIT:FRONT	U012_S001	58
D2414024	HOLDER:DRIVEN ROLLER:FUSING EXIT:REAR	U012_S001	59
D2414108	GUIDE:FUSING EXIT:LEFT	U012_S001	60
D2414113	BRACKET:THERMISTOR:PRESSURE ROLLER	U012_S001	61
D2414123	DISCHARGE BRUSH:PRESSURE ROLLER	U012_S001	62
D2414137	LEVER:PRESSURE:FRONT:PEEN	U012_S001	63
D2414140	HOLDER:PRESSURE:FRONT:ASS'Y	U012_S001	64
D2414155	HOLDER:PRESSURE:REAR:ASS'Y	U012_S001	65
D2414160	LEVER:PRESSURE:REAR:PEEN	U012_S001_S001	66
D2414215	GUIDE:FUSING EXIT:RIGHT:ASS'Y	U012_S001	67
D2414219	DECAL:C:GUIDE PLATE:FUSING EXIT	U012_S001	68
D2414221	STRIPPER PLATE:FUSING EXIT:ASS'Y	U012_S001	69
D2414252	FUSING ENTRANCE GUIDE PLATE	U012_S001	70
D2414332	HOUSING:THERMOSTAT	U012_S001	71
D2414334	COVER:HOUSING:THERMOSTAT	U012_S001	72
D2414337	TERMINAL:THERMOSTAT:DRAWER	U012_S001	73
D2414338	TERMINAL:THERMOSTAT:HEATER	U012_S001	74
D2414342	HOUSING:NON-CONTACT TYPE THERMISTOR	U012_S001	75
D2414354	BRACKET:DRAWER:MAIN	U012	76
D2414365	HOLDER:THERMOPILE	U012	77
D2414367	STOPPER:THERMOPILE	U012	78
D2414448	SHAFT:FEELER:OVERFLOW	U013_S001	47
D2414458	GUIDE:COVER:UPPER	U001	59
D2414461	GUIDE PLATE:REVERSE:UPPER	U013_S001	48
D2414476	EXIT ROLLER	U013_S001	49
D2414481	GATE PAWL:EXIT	U013_S001	50
D2414483	LEVER:GATE PAWL	U013_S001	51
D2414499	COMPRESSION SPRING:BASE:TR	U013	52

Number	Part Name	Group	ID
	AY:EXIT		
D2414617	TRANSPORT ROLLER:DUPLEX:2:DIA8	U014_S001	164
D2414628	GUIDE PLATE:DUPLEX:EXIT	U014_S001	165
D2414635	SHEET:CUSHION	U014_S001	166
D2414640	TRANSPORT ROLLER:EXIT:DIA8	U014_S001	167
D2414642	TRANSPORT ROLLER:DUPLEX:1	U014_S001	168
D2414643	TRANSPORT ROLLER:ENTRANCE	U014_S001	169
D2414648	BRACKET:SWIVEL:PEEN	U014_S001	170
D2414652	GEAR:PULLEY:SWIVEL	U014_S001	171
D2414676	LEVER:PRESSURE:DUPLEX	U014_S001	172
D2414677	COMPRESSION SPRING:EXIT:UPPER	U014_S001	173
D2414681	BRACKET:MOTOR:PEEN	U014_S001	174
D2414684	GEAR:OUTPUT	U014_S001	175
D2414694	CAP:BELT:DUPLEX	U014_S001	176
D2414697	GROUND WIRE:EXIT SENSOR:DUPLEX	U014_S001	177
D2414707	GEAR:FEED:MANUAL FEED:DRIVE	U014_S001	178
D2414708	GEAR:SEPARATOR:MANUAL FEED:DRIVE	U014_S001	179
D2414709	GEAR:TRANSPORT ROLLER:MANUAL FEED	U014_S001	180
D2414710	GEAR:IDLER	U014_S001	181
D2414750	BRACKET:MOTOR:DUPLEX	U014	182
D2414761	DRIVEN ROLLER:DIA16	U014_S001	183
D2414762	DRIVEN ROLLER:DIA18	U014_S001	184
D2414763	GUIDE:HARNESS:ENTRANCE SENSOR:DUPLEX	U014_S001	185
D2414765	PULLEY:T26	U014_S001	186
D2414766	PULLEY:T26/T26	U014_S001	187
D2414923	STAY:CONTACT POINT:DUPLEX	U014_S001	188
D2414937	TENSION SPRING:GATE:REVERSE	U013_S001	53
D2414941	GATE PAWL:REVERSE:FRONT MIDDLE	U013_S001	54
D2414942	GATE PAWL:REVERSE:REAR MIDDLE	U013_S001	55

## Exclusive Parts

Number	Part Name	Group	ID
D2414943	GATE PAWL:REVERSE:REAR	U013_S001	56
D2414946	SHAFT:GATE PAWL:REVERSE	U013_S001	57
D2414947	GATE PAWL:REVERSE:FRONT	U013_S001	58
D2414950	ROLLER:EXIT:PRESSURE:2TYPE:ASS'Y	U013_S001_S001	59
D2414955	HOLDER:ROLLER:EXIT:PRESSURE:2TYPE	U013_S001	60
D2414957	SHAFT:ROLLER:PRESSURE:EXIT:2TYPE	U013_S001_S001	61
D2414962	ROLLER:DRIVEN:EXIT	U013_S001_S001	62
D2414964	ROLLER:EXIT:PRESSURE	U013_S001_S001	63
D2414965	COLLAR:ROLLER:EXIT:PRESSURE	U013_S001_S001	64
D2414971	LINK:PLATE:EXIT	U013	65
D2414972	GUIDE:PLATE:EXIT	U013	66
D2414976	ROLLER:EXIT:PRESSURE:MIDDLE	U013_S001_S001	67
D2414977	ROLLER:DRIVEN:EXIT:MIDDLE	U013_S001_S001	68
D2414978	COLLAR:ROLLER:EXIT:PRESSURE:BOTH ENDS	U013_S001_S001	69
D2414981	COIL SPRING:ROLLER:PRESSURE:EXIT	U013_S001	70
D2414992	DISCHARGE BRUSH:EXIT	U013_S001	71
D2414996	DC SOLENOID:ASS'Y:(SOL2)	U013_S001	72
D2414998	CUSHION:DC SOLENOID:4MM	U013_S001	73
D2415738	BRACKET:MAIN SWITCH	U016	79
D2415764	COVER:POWER PACK:CB	U016	80
D2415800	RACK:RIGHT:AUXILIARY	U016	81
D2415801	COVER:RACK:REAR	U016	82
D2415803	GUIDE:HARNESS:C/T BOX	U016	83
D2415831	CAP:GUIDE:WIRE	U016	84
D2415832	CAP:GUIDE:COIL SPRING	U016	85
D2415841	BASE:GUIDE:WIRE	U016	86
D2415842	COVER:GUIDE:WIRE	U016	87
D2415850	WIRE:CHARGE:K	U016	88
D2415851	WIRE:DEVELOPMENT:K	U016	89
D2415852	WIRE:CHARGE:C	U016	90
D2415853	WIRE:DEVELOPMENT:C	U016	91
D2415854	WIRE:CHARGE:M	U016	92
D2415855	WIRE:DEVELOPMENT:M	U016	93

Number	Part Name	Group	ID
D2415856	WIRE:CHARGE:Y	U016	94
D2415857	WIRE:DEVELOPMENT:Y	U016	95
D2415875	WIRE:CHARGE:CB	U016	96
D2415876	WIRE:DEVELOPMENT:CB:K	U016	97
D2415877	WIRE:DEVELOPMENT:CB:C	U016	98
D2415878	WIRE:DEVELOPMENT:CB:M	U016	99
D2415879	WIRE:DEVELOPMENT:CB:Y	U016	100
D2416240	LEVER:PRESSURE:TRANSFER ROLLER:FRONT:DIA19.5	U010_S002	45
D2416241	LEVER:PRESSURE:TRANSFER ROLLER:REAR:DIA19.5	U010_S002	46
D2416250	GROUND WIRE:BRACKET:ENTRANCE SENSOR	U010_S002	47
D2416256	GROUND PLATE:GUIDE:TRANSPORT	U010_S002	48
D2416258	COVER:TRANSFER/SEPARATION UNIT	U010_S002	49
D2416275	SHEET:ENTRANCE:TRANSFER	U010_S002	50
D2416290	LED:RED	U010_S002	51
D2416346	PLAIN SHAFT BEARING:ROLLER:BACK UP:FRONT:PRESS FIT	U009_S001_S001	50
D2416347	PLAIN SHAFT BEARING:ROLLER:BACK UP:REAR:PRESS FIT	U009_S001_S001	51
D2417913	DUCT:OPTICAL WRITING UNIT	U001_S001 U001_S004	60 60
D2417941	DUCT:EXHAUST:UPPER:A	U017	54
D2417942	DUCT:EXHAUST:UPPER:B	U017	55
D2417943	DUCT:EXHAUST:UPPER:C	U017	56
D2417944	DUCT:EXHAUST:UPPER:D	U017	57
D2417983	DUCT:DEVELOPMENT:REAR:A	U017	58
D2417984	DUCT:DEVELOPMENT:REAR:B	U017	59
D2424262	FUSING COVER:LOWER	U012_S001	79
D2424382	DC STEPPER MOTOR:ASS'Y:(M28)	U012	80
D2424383	BRACKET:IDLER:DC STEPPER MOTOR	U012	81
D2424386	BRACKET:DC STEPPER MOTOR	U012	82
D2426432	FEELER:COLLECTION BOTTLE	U011_S001	35
D3G32202	(EU/AA/IND/CHN):HEATER:PHOTO	U019_S001	22

## Exclusive Parts

Number	Part Name	Group	ID
	CONDUCTOR:ASS'Y		
D3G36650	(EU/AA/IND/CHN):ELECTRICAL COMPONENTS SECTION:SCANNER_200V:ASS'Y	U019_S002	23
D3G36662	(EU/AA/IND/CHN):ELECTRICAL COMPONENTS SECTION:PAPER TRAY:200V:ASS'Y	U019_S004	24
D3K30014	(EU[IM C4510A/C5510A/C6010]/CHN[IM C6010/GS4160c]/NA/AA/TWN/IND):ADF SECTION:ASS'Y	U003_S001	3
D5406121	(EU[IM C4510A/C5510A/C6010]/CHN[IM C6010/GS4160c]/NA/AA/TWN/IND):FULL DUG POINT SCREW:FIX:HINGE	U003	4
D6842163	SYNCHRONOUS BELT:40S2M122	U013_S001	74
G1045141	(CHN):KNOB SCREW:M3	U016	109
GA003929	DECAL:OPERATE:4X27	U012_S001	83
GA003930	DECAL:LEVER:FRONT:FUSING	U012_S001	84
GA003931	DECAL:LEVER:REAR:FUSING	U012_S001	85
GA003932	DECAL:LEVER:RELEASE	U012_S001	86
GA003933	DECAL:OPERATE:4X10.5	U012_S001	87
GA003934	DECAL:OPERATE:4X41	U009_S001	52
GA003960	DECAL:POSITIONING DISPLAY:6.5X9	U009	53
GA003969	DECAL:POSITIONING DISPLAY:FUSING UNIT:MAIN	U017	60
GA003995	DECAL:DESIGN SKETCH:BLACK	U007_S001	21
GA003996	DECAL:DESIGN SKETCH:CYAN	U007_S002	22
GA003997	DECAL:DESIGN SKETCH:MAGENTA	U007_S003	23
GA003998	DECAL:DESIGN SKETCH:YELLOW	U007_S004	24
GA143003	SCREW:MM5:2.5MM	U006	146
		U010_S002	52
GW010007	PHOTO REFLECTION SENSOR:EXIT:(S9/S10/S12/S14/S22/S24)	U006	147
		U006_S001	147
		U006_S002	147
		U013_S001	75
		U014_S001	189

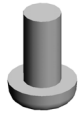
Number	Part Name	Group	ID
GW010009	DENSITY SENSOR:(S48)	U009	54
GW020026	PHOTOINTERRUPTOR:LG2A24RL1G:(S2/S34/S42)	U004	67
		U010	53
		U011	36
GW140027	TEMPERATURE & HUMIDITY SENSOR:(S41)	U009	55
GW230008	TONER END SENSOR:(S28/S29/S30/S31)	U008_S001	33
		U008_S002	33
		U008_S003	33
		U008_S004	33
M0262734	DECAL:H-TEMP WARNING:HEATER	U019_S003_S001	18
M0662743	FRICTION PAD:MANUAL FEED TABLE:18X7.5	U014_S001_S002_S001	190
M0662749	OIL DAMPER:STRAIGHT:30N	U014_S001_S001	191
M0AJ1092	CAM:LOCK:PCU	U017	61
M0AJ1093	COMPRESSION SPRING:LOCK:PCU	U017	62
M0AJ1384	BRACKET:INPUT:FUSING DRIVE UNIT	U015	61
M0AJ4271	COVER:LEVER:FUSING:REAR	U012_S001	88
M0AJ4272	HOOK:FUSING:REAR	U012_S001	89
M0AJ4273	LEVER:FUSING	U012_S001	90
M0AJ4278	COVER:LEVER:FUSING:FRONT	U012_S001	91
M0AJ4279	HOOK:FUSING:FRONT	U012_S001	92
M0AJ4388	COVER:DRIVE UNIT:LIGHT SHIELDING P	U012	93
M0AJ4981	DECAL:EXIT:GUIDE P:LOWER:MIDDLE	U013_S001	76
M0AJ4982	DECAL:EXIT:GUIDE P:LOWER:INNER BACK	U013_S001	77
M0AJ6036	CAM:ON-OFF:BK	U009_S001_S001	56
M0AJ6037	STOPPER:RIGHT:INTERMEDIATE TRANSFER	U009_S001_S001	57
M0AJ7991	DUCT:DEVELOPMENT:EXHAUST:A	U017	63
M0AJ7992	DUCT:DEVELOPMENT:EXHAUST:B	U017	64
M0AJ7993	DUCT:DEVELOPMENT:EXHAUST:C	U017	65

## Exclusive Parts

Number	Part Name	Group	ID
M0AJ7994	SEAL:CAP:FILTER	U017	66
M0AJ7995	SEAL:DUCT:DEVELOPMENT:EXHAUST	U017	67
M0B19500	USB 3.0 CARD READER	SPECIAL TOOLS	8
M0BW6228	TORSION SPRING:SEPARATION/TRANSPORT:28N	U010_S002	54
M0BW6246	LINK:TRANSFER/SEPARATION UNIT:MO	U010_S002	55
M0BW7945	DEODORIZE FILTER	U017	68
Note1	(EU[IM C4510A/C5510A/C6010]/CHN[IM C6010/GS4160c]/NA/AA/TWN/IND)See 3D parts catalog for the components of the SPDF DF3150.	U003_S001	5
VSSG0006	DRYSURF:MDF-2400E 25G	SPECIAL TOOLS	9
VSSG9002	FLUOTRIBO MG GREASE: 100G	SPECIAL TOOLS	10
VSSG9006	MOLYKOTE(R) G-1077 GREASE 50G (Noise-reduction grease)	SPECIAL TOOLS	11
VSSG9008	FLOIL-G348 GREASE 20G	SPECIAL TOOLS	12
VSST9003	C-5Y COLOR TEST CHART (2 SHEETS X 3 / set)?	SPECIAL TOOLS	13



## Standard Parts



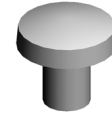
03130060N  
SCREW - M3X6



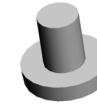
03140120N  
SCREW - M4X12



03530030N  
SCREW:M3X3



03530040N  
SCREW - M3X4



03530040P  
SCREW - M3X4



03530060N  
BIND SCREW - M3X6



03530060P  
SCREW:M3X6



03603006N  
SCREW - M3X6



03603006P  
SCREW - M3X6



03603016N  
SCREW - M3X16



04503025N  
TAPPING SCREW:3X25



04503035N  
TAPPING SCREW:3X35



04513006N  
TAPPING SCREW - 3X6



04513008N  
TAPPING SCREW - M3X8



04513025N  
TAPPING SCREW:M3X25



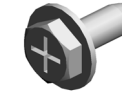
04533008N  
BINDING SELF TAPPING SCREW:3X8



04543006N  
TAPPING SCREW:ROUND POINT:3X6



04543006Q  
TAPPING SCREW - M3X6



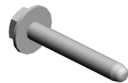
04543008N  
TAPPING SCREW:ROUND POINT:3X8



04543008Q  
TAPPING SCREW:3X8



04543010Q  
TAPPING SCREW:3X10



04543020Q  
TAPPING SCREW::3X20



04583008N  
HEXAGON HEAD TAPPING SCREW:3X8



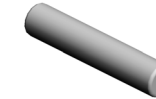
04583010N  
HEXAGON HEAD TAPPING SCREW:3X10



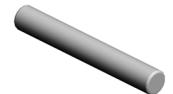
04593008N  
BINDING HEAD TAPPING SCREW:3X8



04593010N  
BINDING HEAD TAPPING SCREW:3X10



06320100G  
PIN - 2X10MM



06320140G  
PARALLEL PIN

## Standard Parts



06330100G  
PARALLEL PIN - 3X10



07200020G  
RETAINING RING - M2



07200025E  
RETAINING RING - M2.5



07200030E  
RETAINING RING - M3



07200040E  
RETAINING RING - M4



07200060E  
RETAINING RING - M6



07250170E  
RETAINING RING C - M17



08025299  
TAPPING SCREW - M3X8



08025328  
HEXAGON HEAD TAPPING S  
CREW:3X40



08046123  
HEXAGONAL BOLT:W/WASH  
ER:M3X8



08046128  
HEXAGONAL BOLT:DOUBLE  
SCREW:M3X10



08050089  
RETAINING RING - M4



08050100  
RETAINING RING - M2.5



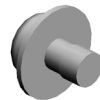
08050103  
RETAINING RINGS-E:SILENC  
ER:DIA3



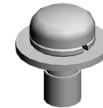
08050104  
RETAINING RINGS-E:SILENC  
ER:DIA4



08050106  
RETAINING RINGS-E:SILENC  
ER:DIA6



09543005N  
SCREW:POLISHED ROUND/  
SPRING:M3X5



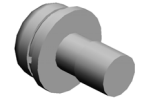
09544008N  
SCREW - M4X8



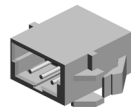
09573006N  
SCREW:SMALL ROUND/SPRI  
NG:M3X6



09573010N  
SCREW:SMALL ROUND/SPRI  
NG:M3X10



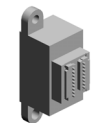
09574008N  
SCREW:SMALL ROUND/SPRI  
NG:M4X8



11024559  
CONNECTOR - 3P



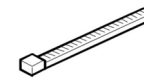
11035890  
CONNECTOR:QR/P17-RC-14  
S



11036252  
CONNECTOR:16R-GRM-DH3  
GB-RG-A



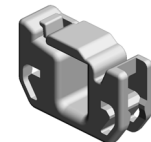
11036266  
CONNECTOR:16RG022-3218



11050046  
HARNESS BAND

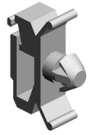


11050488  
HARNESS CLAMP

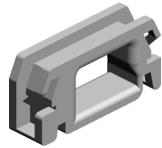


11050692  
CLAMP:LES-0503

## Standard Parts



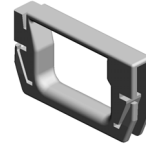
11050713  
CLAMP:LWSM-0306H GRAY



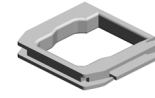
11050723  
CLAMPS:WES-0507



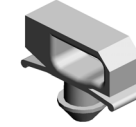
11050724  
CLAMPS:WES-1210



11050725  
CLAMPS:WES-1117



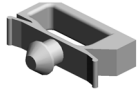
11050726  
CLAMPS:WES-2217



11050758  
CLAMP:LWSM-0306A



11050759  
CLAMP:LWSM-0605A



11050760  
CLAMP:LWSM-0511A



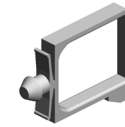
11050762  
CLAMP:LWS-0711A



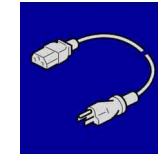
11050763  
CLAMP:LWS-1211A



11050764  
CLAMP:LWS-1316A



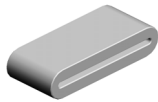
11050765  
CLAMP:LWS-2218A



11500509  
(CHN):POWER SUPPLY COR  
D:250V:10A



12042612  
MICRO SWITCH:D3V-16506-3  
C25:(SW2)



16072525  
FERRITE CORE:K3 FF 35.00X  
14.60X7.70X1.40

## PM Part List

Number	Part Name	Num	Group	ID
D0E12215	PCU:K:IMC3010-6010	1	U007_S001_S001	8
D0E34022	(EU/AA/IND/CHN):FUSING U NIT:220-240V:IMC4510-6010	1	U012_S001	94
D0E37935	CAP:FILTER:ASS'Y	1	U017_S004	30

## Design Change List

Number	Title	Set	Old Part		New Part		Index No.		Q'ty	Interchg		Reason	Cut-in S/N
			P/N	Name	P/N	Name	Group	ID		Indiv.	Set		
202309-03	2309 Modification	-	D0CH1199	DRIVE UNIT:ON-OFF:TRANSFER:(M18)	D0F21199	DRIVE UNIT:ON-OFF:TRANSFER:(M18)	U015_S002	43	1	O/O			
202309-04	2309 Modification	-			D0E35153	POWER PACK:CB:IMC:4510-6010:(PCB19)	U016	57	1				

