

IM C3000/GS3030c/C3500
(D0BL/D0BM-CHN)
Parts Catalog

Parts change information sample

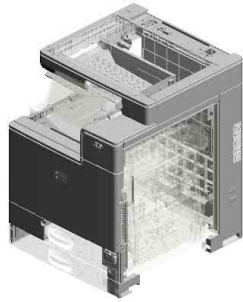
 **Add**

 **Update**

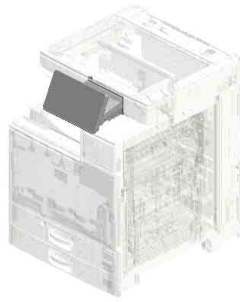
 **Delete**

| Model | Product Code | PC Style |
|--|----------------|-------------|
| IM C3000/C3500 series GS3030c | D0BL/D0BM | 3D |
| IM C4500/C5500/C6000 series GS3160c/GS3045c | D0BN/D0BP/D0BQ | 3D |
| IM C2000/C2500 series | D0BJ/D0BK | 3D |
| ARDF DF3110 | D3FE | 3D |
| SPDF DF3120 | | |
| Small Paper Feeding Unit Type M37 | D3FF | 3D |
| Page Keeper Type M37 | | |
| Paper Feed Unit PB3280 | D3FY | 3D |
| Paper Feed Unit PB3300 | D3FZ | 3D |
| Paper Feed Unit PB3270 | D3G0 | 3D |
| LCIT PB3290 | D3G2 | 3D |
| LCIT RT3040 | D3G1 | 3D |
| Bridge Unit BU3090 | D3FW | 3D |
| 1 Bin Tray BN3130 | D3CQ | 3D |
| Internal Shift Tray SH3080 | D3FV | 3D |
| Side Tray Type M37 | D3FX | 3D |
| Booklet Finisher SR3290 | D3FN | 3D |
| Finisher SR3280 | D3G4 | 3D |
| Punch Unit PU3090 | D3FP | 3D |
| Booklet Finisher SR3270 | D3FQ | 3D |
| Finisher SR3260 | D3FR | 3D |
| Punch Unit PU3080 | D3G5 | 3D |
| Internal Finisher SR3250 | D3FG | 3D |
| Punch Unit PU3070 | D3FM | 3D |
| Internal Finisher SR3300 | D3FT | 3D |
| Internal Multi-Fold Unit FD3010 | D3FS | 3D |
| Fax Option Type M37 | D3GF | Traditional |
| Fax Connection Unit Type M37 | D3GF | Traditional |
| FAX Memory Unit Type M19 64MB | D3BZ | Traditional |
| IEEE 1284 Interface Board Type M19 | D3C0 | Traditional |
| File Format Converter Type M19 | D3BR | Traditional |
| Device Server Option Type M37 | D3GF | Traditional |
| VM CARD Type M37 | D3GF | Traditional |
| DataOverwriteSecurity Unit Type M19 | D3BS | Traditional |
| Caster Table Type M3 | D178 | Traditional |
| External Keyboard Bracket Type M19 | D3BR | Traditional |
| Camera Direct Print Card Type M37 | D3GF | Traditional |
| XPS Direct Print Option Type M37 | D3GF | Traditional |
| NFC Card Reader Type M37 | D3GF | Traditional |
| SD Card for Fonts Type D | D641 | Traditional |
| IEEE 802.11a/g/n Interface Unit Type M19 | D3BR | Traditional |
| Memory Unit Type M37 4GB | D3GF | Traditional |
| OCR Unit Type M13 | D3AC | Traditional |
| Enhanced Security HDD Option Type M12 | D3A6 | Traditional |
| Platen Cover PN2000 | D700 | Traditional |
| Imageable Area Extension Unit Type M19 | D3BR | Traditional |
| PostScript3 Unit Type M37 | D3GF | Traditional |
| Smart Card Reader Built-in Unit Type M37 | D3GF | Traditional |

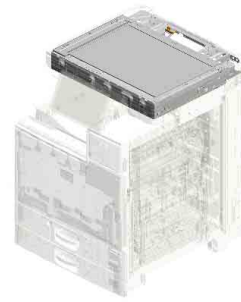
Unit All



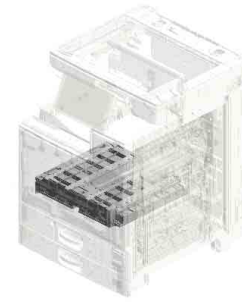
U001
EXTERIOR



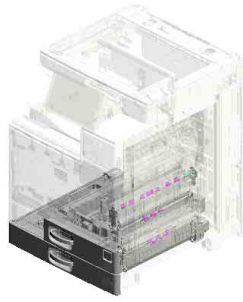
U002
OPERATION



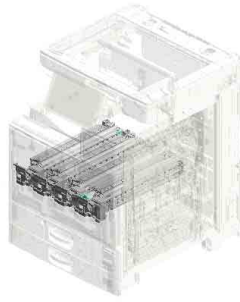
U003
SCANNER



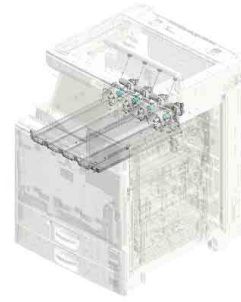
U004
LASER UNIT



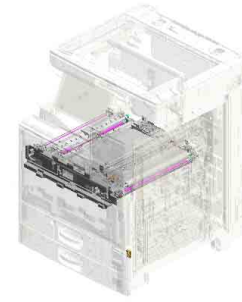
U005
PAPER FEED



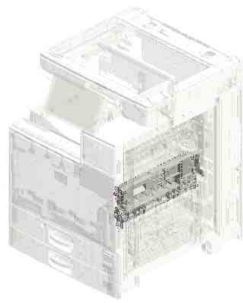
U006
PCDU



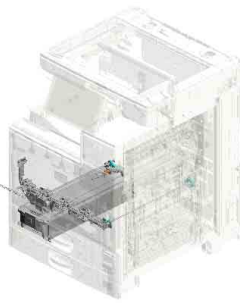
U007
DEVELOPMENT



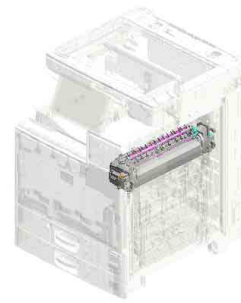
U008
ITB UNIT



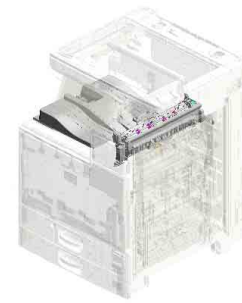
U009
TRANSFER/SEPARATION



U010
USED TONER

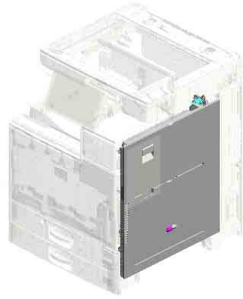


U011
FUSING

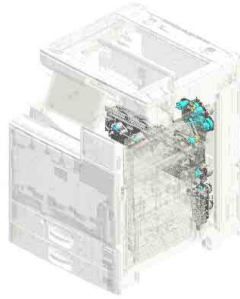


U012
PAPER EXIT

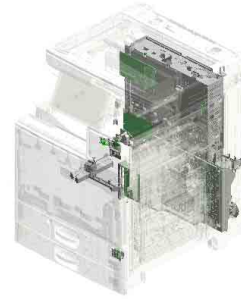
Unit All



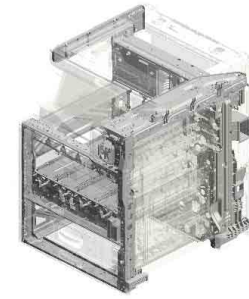
U013
DUPLEX



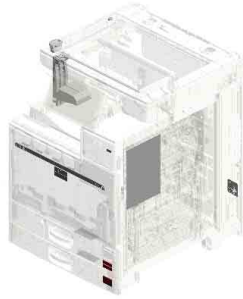
U014
MAIN DRIVE



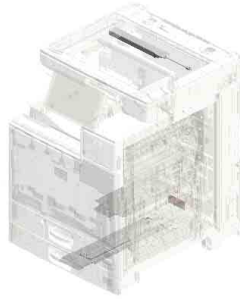
U015
ELECTRICAL



U016
MAIN FRAME



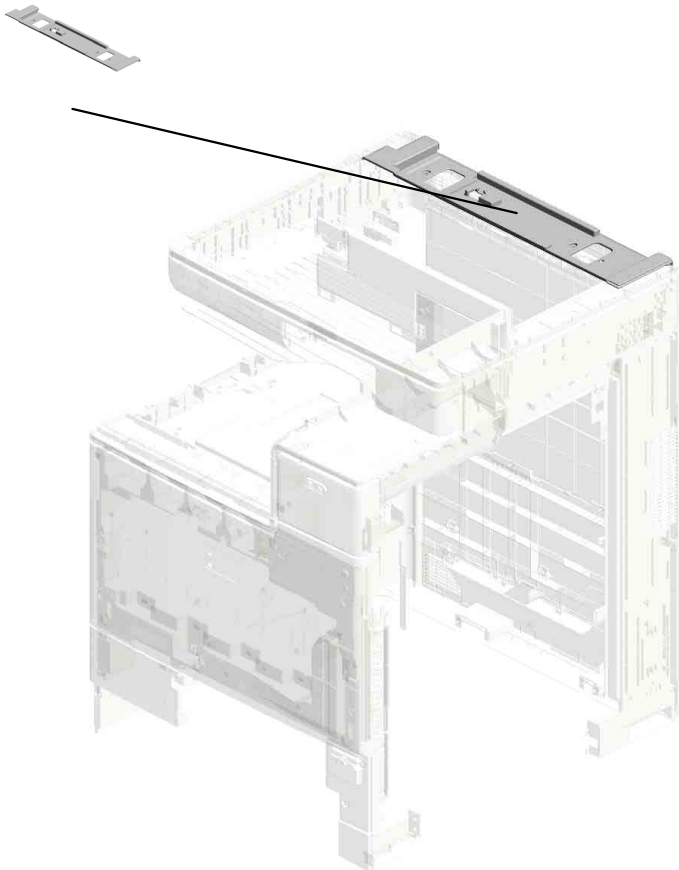
U017
ACCESSORIES



U018
KIT:HEATER

U001.EXTERIOR

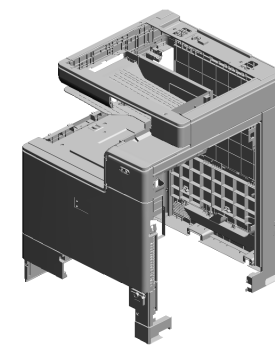
U001 S001
D0AF1290
COVER:SCANNER:UPPER:R
EAR



| | | | | | | | | | | | | | | | | | |
|------|------|------|------|------|------|------|------|------|------|------|------|------|------|------|------|------|------|
| U001 | U002 | U003 | U004 | U005 | U006 | U007 | U008 | U009 | U010 | U011 | U012 | U013 | U014 | U015 | U016 | U017 | U018 |
|------|------|------|------|------|------|------|------|------|------|------|------|------|------|------|------|------|------|

U001 EXTERIOR

- 8.AA143537 (x2) SCREW:M3:BLACK
- 12.D0BQ1230 COVER:UPPER
- 20.D0BQ1281 COVER:SCANNER:FRONT
- 9.AA143595 STEPPED SCREW: M3
- 2.04543006Q TAPPING SCREW - M3X6



19.D0BQ1249
COVER:FRONT:LE
NGTHWISE

13.D0BQ1231
COVER:UPPER:FR
ONT

1.04513008P
TAPPING SCREW -
3X8

4.04543008Q
(x2)
TAPPING SCREW:
3X8

6.52062686
SNAP RING

18.D0BQ1247
COVER:FRONT:US
ED TONER

7.AA021031
MAGNETIC CATCH

3.04543008N
(x50)
TAPPING SCREW:
ROUND POINT:3X8

5.04583008N
(x17)
HEXAGON HEAD T
APPING SCREW:3
X8

15.D0BQ1242
COVER:FRONT:PE
EN

21.D0BQ1287
COVER:SCANNER:
RIGHT

14.D0BQ1232
COVER:UPPER:EXI
T:IDG

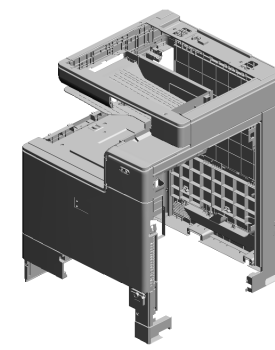
17.D0BQ1245
COVER:FRONT:UP
PER

16.D0BQ1244
COVER:FRONT:RI
GHT UPPER

10.AG070513
MAGNET CATCH

U001 EXTERIOR

- 27.D1491237 COVER:UPPER:INNER BACK:LEFT LOWER
- 29.D1491252 COVER:LEFT:UPPER:REAR
- 25.D1491233 COVER:UPPER:INNER BACK
- 24.D1441085 (x7) STEPPED SCREW: M3
- 34.D1491294 (x2) (EU/JM C3000/C3500)/AA/KOR/TWN/CHN):CAP:HARNES S:CORNER



37.D1494492
TRAY:REVERSE



30.D1491257
CAP:34X55



40.D1496859
DECAL:CLEANING:SHIELD GLASS



32.D1491278
TORSION SPRING:COVER:USED TONER



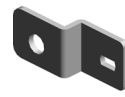
28.D1491248
HINGE:COVER:FRONT:USED TONER



31.D1491274
INNER COVER:FRONT:USED TONER



23.D0BQ1309
MAGNET CATCH:COVER:FRONT



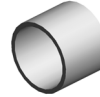
41.D1496893
DECAL:PCU:BLACK



38.D1495883
KEYTOP:MAIN SWITCH



39.D1495884
COMPRESSION SPRING:KEYTOP



22.D0BQ1288
COVER:SCANNER:UPPER:RIGHT



26.D1491234
COVER:UPPER:INNER BACK:MIDDLE



33.D1491291
CAP:HARNES



35.D1491305
(x2) CAP:TOTAL COUNTER

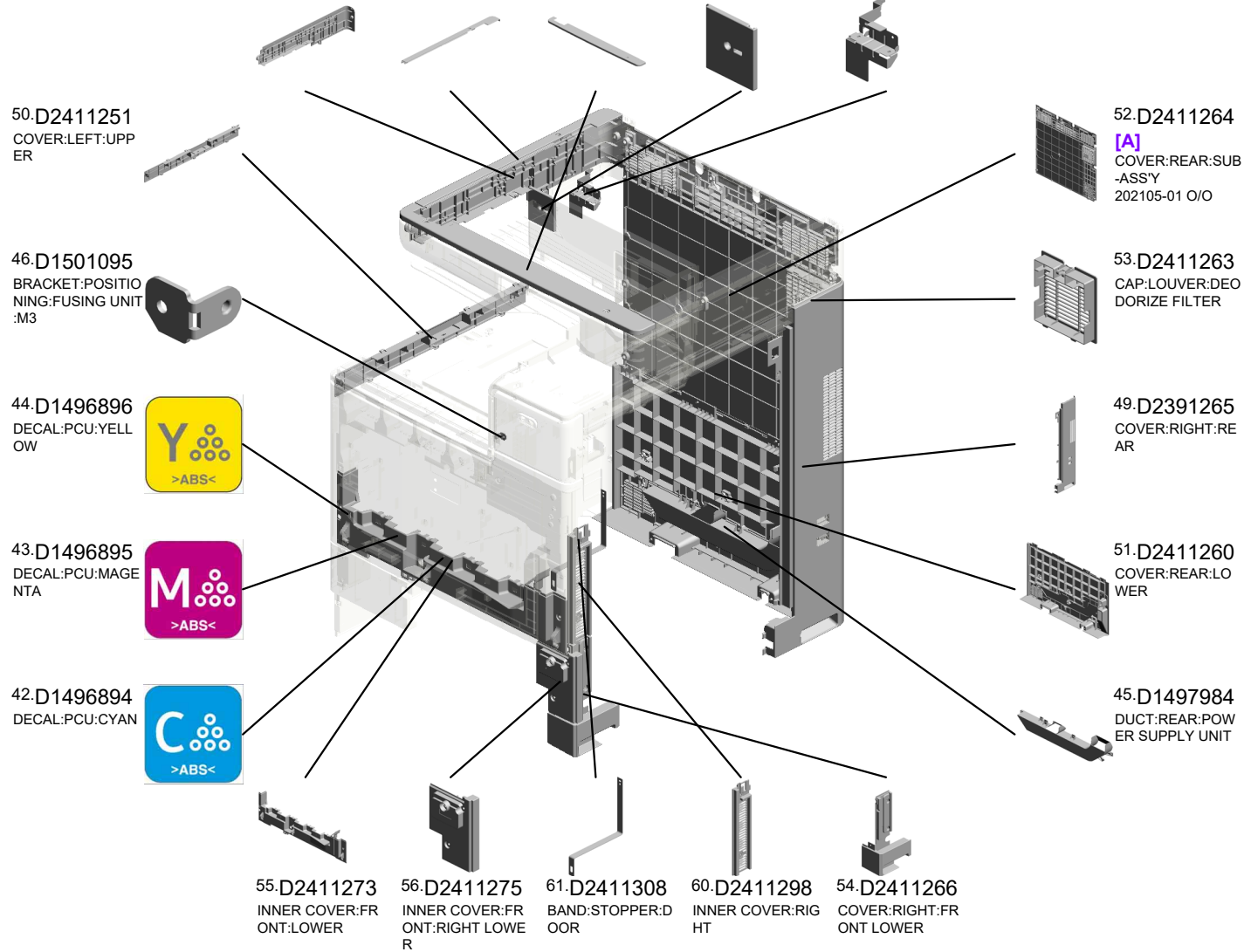
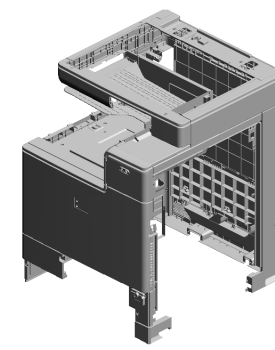


36.D1491307
SPRING PLATE:BA ND



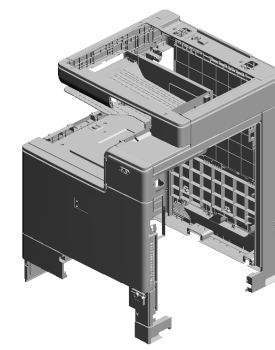
U001 EXTERIOR

- 57.D2411284 COVER:SCANNER: LEFT
- 58.D2411285 COVER:SCANNER: UPPER:LEFT
- 48.D1501282 COVER:SCANNER: UPPER:FRONT
- 47.D1501235 COVER:UPPER:INNER BACK:BIN
- 59.D2411297 BRACKET:COVER: LEFT UPPER REAR



U001 EXTERIOR

68.M0AJ1250
COVER:LEFT
63.D2414458
(x4)
GUIDE:COVER:UP
PER



62.D2411309
MAGNET CATCH

70.D0BM1276
INNER COVER:TO
NER BOTTLE

66.D2421267
COVER:RIGHT:UP
PER

64.D2415711
COVER:HUMAN DE
TECTION SENSOR:
CONNECTOR

65.D2417913
DUCT:OPTICAL W
RITING UNIT
67.GA003994
(x4)
DECAL:LEVER:REL
EASE

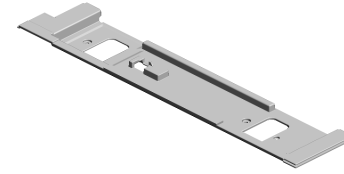


D2411261
[A]
COVER:REAR
202105-01 O/O

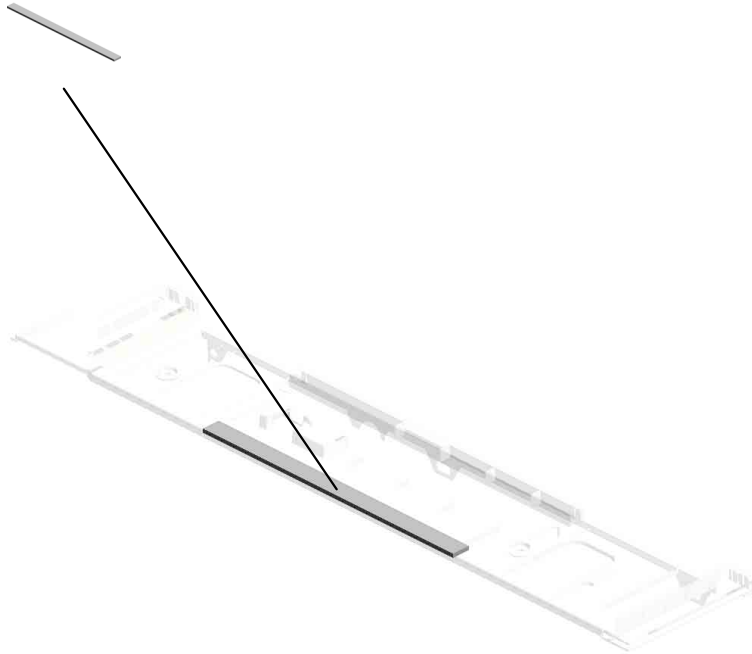
| | | | | | | | | | | | | | | | | | |
|------|------|------|------|------|------|------|------|------|------|------|------|------|------|------|------|------|------|
| U001 | U002 | U003 | U004 | U005 | U006 | U007 | U008 | U009 | U010 | U011 | U012 | U013 | U014 | U015 | U016 | U017 | U018 |
|------|------|------|------|------|------|------|------|------|------|------|------|------|------|------|------|------|------|

U001_S001
COVER:SCANNER:UPPER:REAR

69.D0BQ1297
SEAL:SCANNER:U
PPER:REAR
202106-03



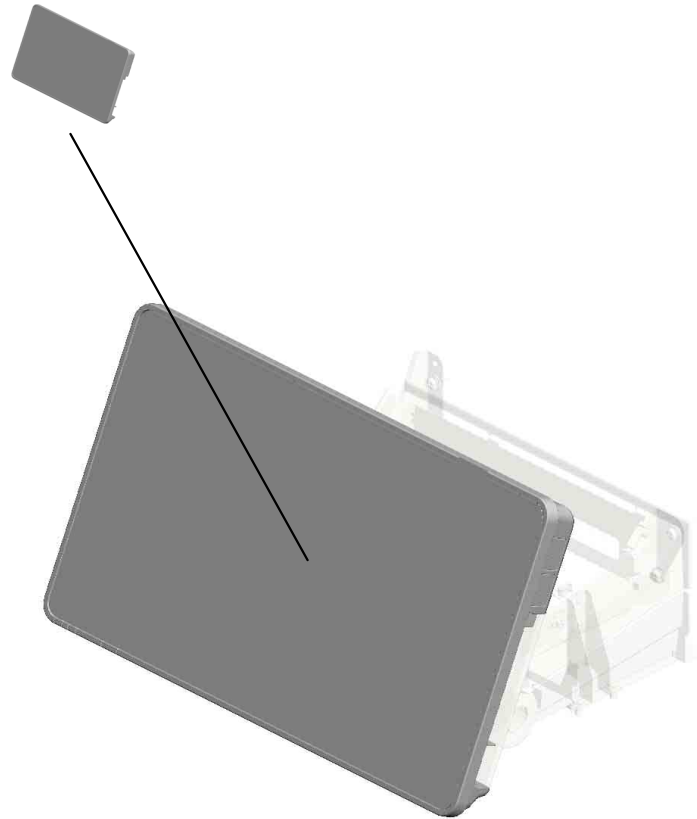
11.D0AF1290
COVER:SCANNER:
UPPER:REAR



| | | | | | | | | | | | | | | | | | |
|------|------|------|------|------|------|------|------|------|------|------|------|------|------|------|------|------|------|
| U001 | U002 | U003 | U004 | U005 | U006 | U007 | U008 | U009 | U010 | U011 | U012 | U013 | U014 | U015 | U016 | U017 | U018 |
|------|------|------|------|------|------|------|------|------|------|------|------|------|------|------|------|------|------|

U002.OPERATION

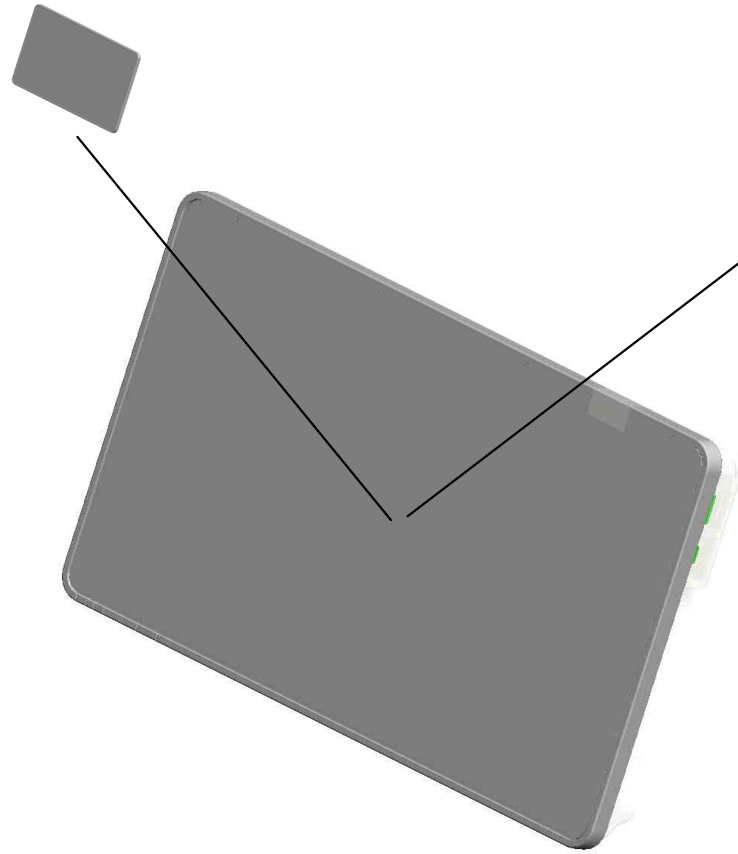
U002 S001
D0BN1526
(CHN):OPERATION SUB-UNI
T:COMMON:ASSY



| | | | | | | | | | | | | | | | | | |
|------|-------------|------|------|------|------|------|------|------|------|------|------|------|------|------|------|------|------|
| U001 | U002 | U003 | U004 | U005 | U006 | U007 | U008 | U009 | U010 | U011 | U012 | U013 | U014 | U015 | U016 | U017 | U018 |
|------|-------------|------|------|------|------|------|------|------|------|------|------|------|------|------|------|------|------|

U002_S001.(CHN):OPERATION SUB-UNIT:COMMON:ASS'Y

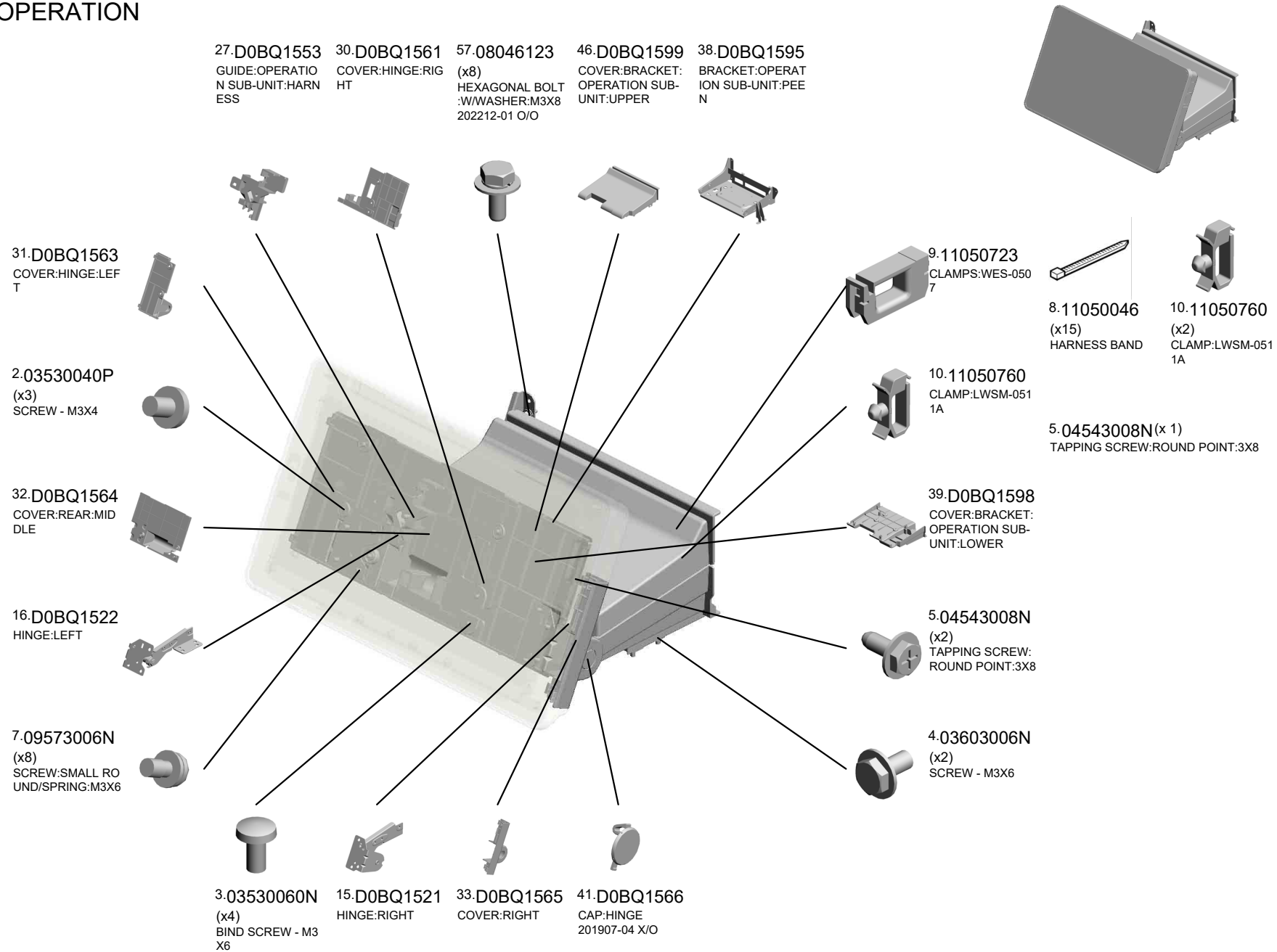
U002 S001 S001
D0BQ1527
TOUCH PANEL:ASS'Y



U002 S001 S002
D0BL5433
(CHN):PCB:ASS'Y:(PCB13)

| | | | | | | | | | | | | | | | | | |
|------|-------------|------|------|------|------|------|------|------|------|------|------|------|------|------|------|------|------|
| U001 | U002 | U003 | U004 | U005 | U006 | U007 | U008 | U009 | U010 | U011 | U012 | U013 | U014 | U015 | U016 | U017 | U018 |
|------|-------------|------|------|------|------|------|------|------|------|------|------|------|------|------|------|------|------|

U002 OPERATION



U002_S001
(CHN):OPERATION SUB-UNIT:COMMON:ASS'Y

37.D0BQ1586 SHEET:SIDE
6.04593008N (x2) BINDING HEAD TAPPING SCREW:3X8
2.03530040P (x13) SCREW - M3X4
11.18310003 LCD:TFT:WSVGA-1 0.1:LED:MV
28.D0BQ1555 (x2) CUSHION:LCD:L



54.D0BN1526
[A]
(CHN):OPERATION SUB-UNIT:COMMON:ASS'Y
202111-02 O/O

22.D0BQ1547
KEYTOP:RESET SWITCH

23.D0BQ1548
COVER:CAP:PUSH SWITCH

18.D0BQ1533
(x2)
BRACKET:LCD

1.03520030N
(x4)
SCREW:M2X3

36.D0BQ1585
SHEET:LIGHT SHIELD COAT

17.D0BQ1531
FRAME:LCD:PEEN

20.D0BQ1544
COVER:REAR
202105-10 O/O

7.09573006N
(x9)
SCREW:SMALL ROUND/SPRING:M3X6

3.03530060N
(x4)
BIND SCREW - M3 X6

21.D0BQ1546
INNER COVER:OPERATION SUB-UNIT:RIGHT

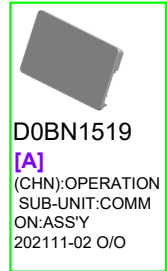
13.D0BQ1432
SPEAKER

25.D0BQ1551
HOLDER:OPERATION SUB-UNIT:SPEAKER

26.D0BQ1552
CUSHION:OPERATION SUB-UNIT:SPEAKER

24.D0BQ1549
(x2)
COVER:CAP

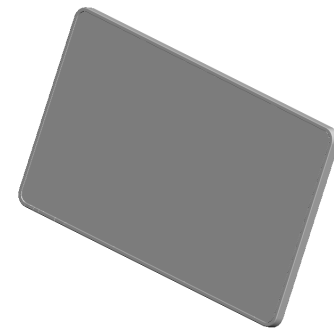
29.D0BQ1556
(x2)
CUSHION:LCD:S



D0BN1519
[A]
(CHN):OPERATION SUB-UNIT:COMMON:ASS'Y
202111-02 O/O

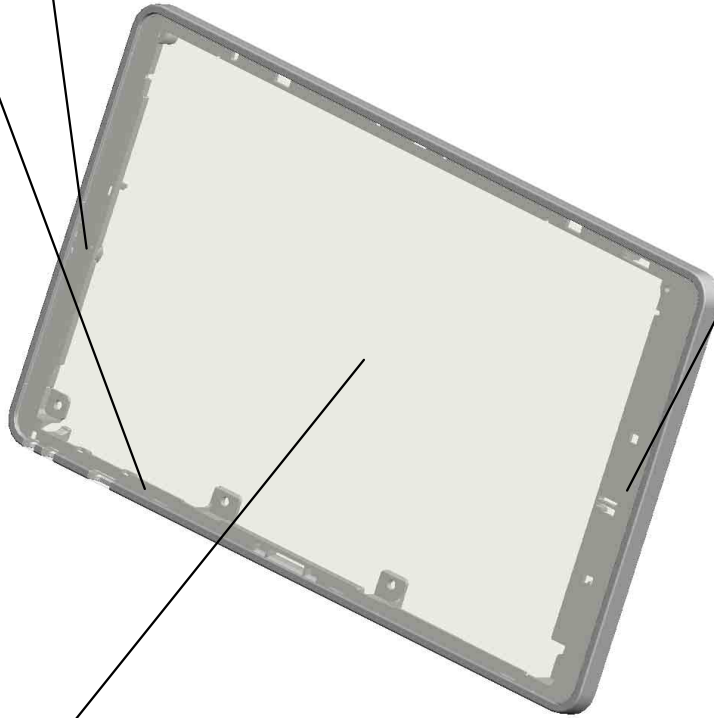
U002_S001_S001
TOUCH PANEL:ASS'Y

42.D2951554
MIKE:PVM-6018-C4
02G-7ZZ4



55.D0BQ1527
[A]
TOUCH PANEL:AS
S'Y
202203-06 O/O

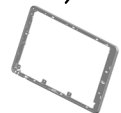
35.D0BQ1582
(x3)
DUAL FACES TAPE
:TOUCH PANEL:SI
DE



34.D0BQ1581
(x2)
DUAL FACES TAPE
:TOUCH PANEL:LE
NGTHWISE



D0BQ1524
[A]
TOUCH PANEL:AS
S'Y
202203-06 O/O

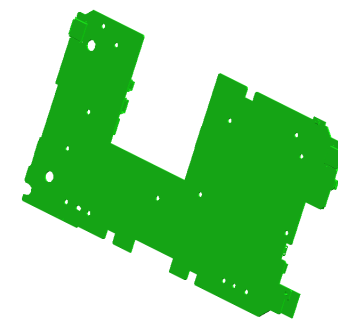
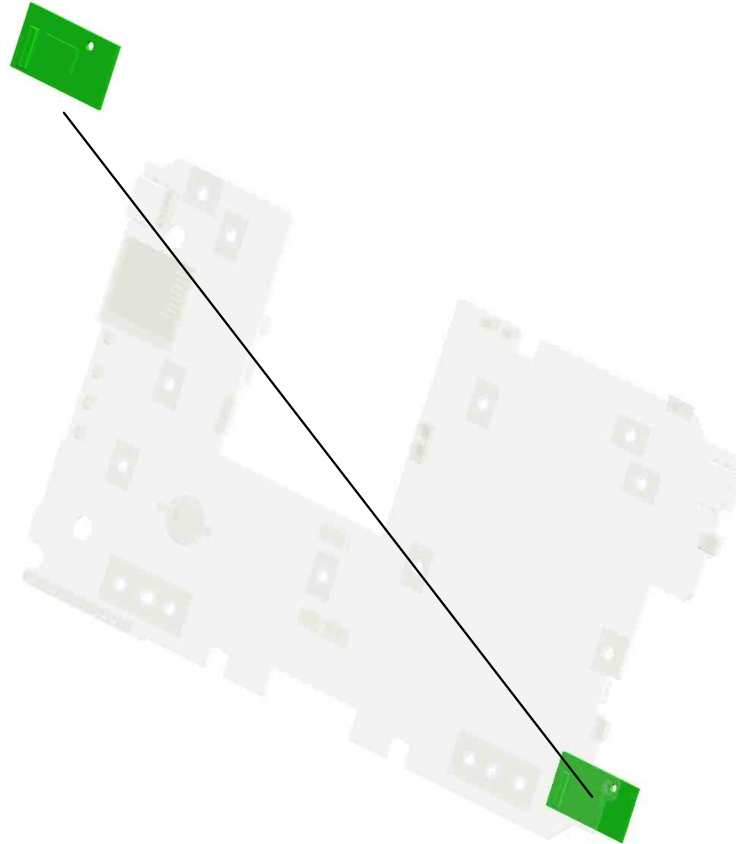


19.D0BQ1541
COVER:FRONT

| | | | | | | | | | | | | | | | | | |
|------|------|------|------|------|------|------|------|------|------|------|------|------|------|------|------|------|------|
| U001 | U002 | U003 | U004 | U005 | U006 | U007 | U008 | U009 | U010 | U011 | U012 | U013 | U014 | U015 | U016 | U017 | U018 |
|------|------|------|------|------|------|------|------|------|------|------|------|------|------|------|------|------|------|

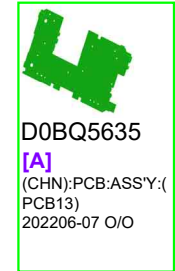
U002_S001_S002
(CHN):PCB:ASS'Y:(PCB13)

48.D0BQ1420
PCB:W-LAN:TYPE1
NX



56.D0BL5433
[A]
(CHN):PCB:ASS'Y:(
PCB13)
202206-07 O/O

1.03520030N(x 1)
SCREW:M2X3

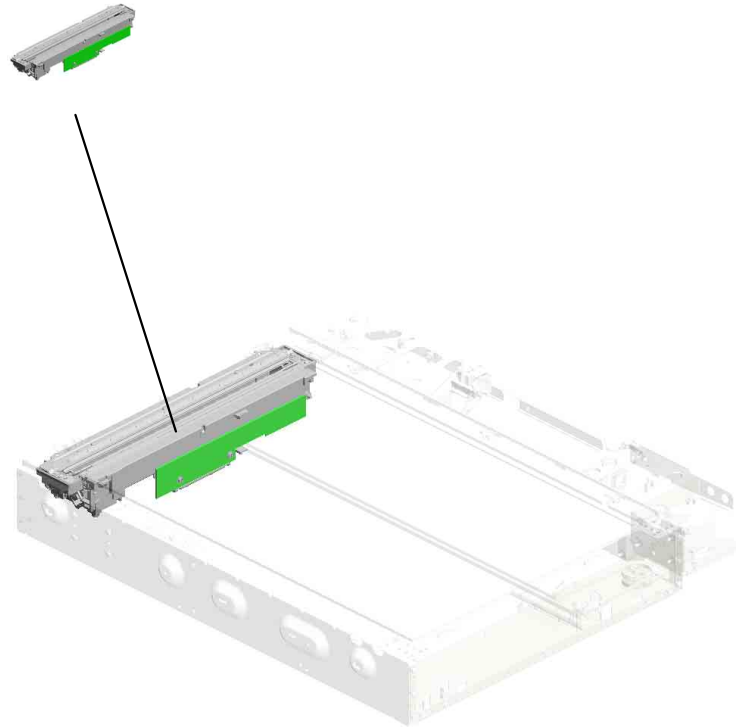


D0BQ5635
[A]
(CHN):PCB:ASS'Y:(
PCB13)
202206-07 O/O

| | | | | | | | | | | | | | | | | | |
|------|------|------|------|------|------|------|------|------|------|------|------|------|------|------|------|------|------|
| U001 | U002 | U003 | U004 | U005 | U006 | U007 | U008 | U009 | U010 | U011 | U012 | U013 | U014 | U015 | U016 | U017 | U018 |
|------|------|------|------|------|------|------|------|------|------|------|------|------|------|------|------|------|------|

U003.SCANNER

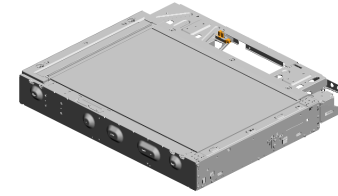
U003 S001
D0BQ1640
OPTICAL READING UNIT:CA
RRIAGE:SCANNER:IMC2000-
6000



| | | | | | | | | | | | | | | | | | |
|------|------|------|------|------|------|------|------|------|------|------|------|------|------|------|------|------|------|
| U001 | U002 | U003 | U004 | U005 | U006 | U007 | U008 | U009 | U010 | U011 | U012 | U013 | U014 | U015 | U016 | U017 | U018 |
|------|------|------|------|------|------|------|------|------|------|------|------|------|------|------|------|------|------|

U003 SCANNER

- 7.03603005N (x8) SCREW - M3X5
- 18.11050758 (x5) CLAMP:LWSM-030 6A
- 24.AW020249 PHOTOINTERRUP TOR:FLAT:PICH2M M:M4:(S43) 201909-01 O/O
- 2.03140120N SCREW - M4X12
- 22.AA143537 (x6) SCREW:M3:BLACK



20.16072525
FERRITE CORE:K3
FF 35.00X14.60X7.
70X1.40

12.08050103
(x3)
RETAINING RINGS
-E:SILENCER:DIA3

5.03530050N
(x2)
SCREW-M3X5

21.A2501752
EXPOSURE GLASS

26.D0BQ1713
SYNCHRONOUS B
ELT:890ST55-4.0

4.03530040N
SCREW - M3X4

16.11050692
CLAMP:LES-0503

23.AW010155
(x2)
ORIGINAL SENSO
R:66MM:3.3V:(S44/
S45)

10.08046123
(x13)
HEXAGONAL BOLT
:WASHER:M3X8

14.09543005N
(x3)
SCREW:POLISHED
ROUND/SPRING:M
3X5

17.11050724
CLAMPS:WES-121
0



15.11050046
(x13)
HARNES BAND

19.11050759
(x2)
CLAMP:LWSM-060
5A

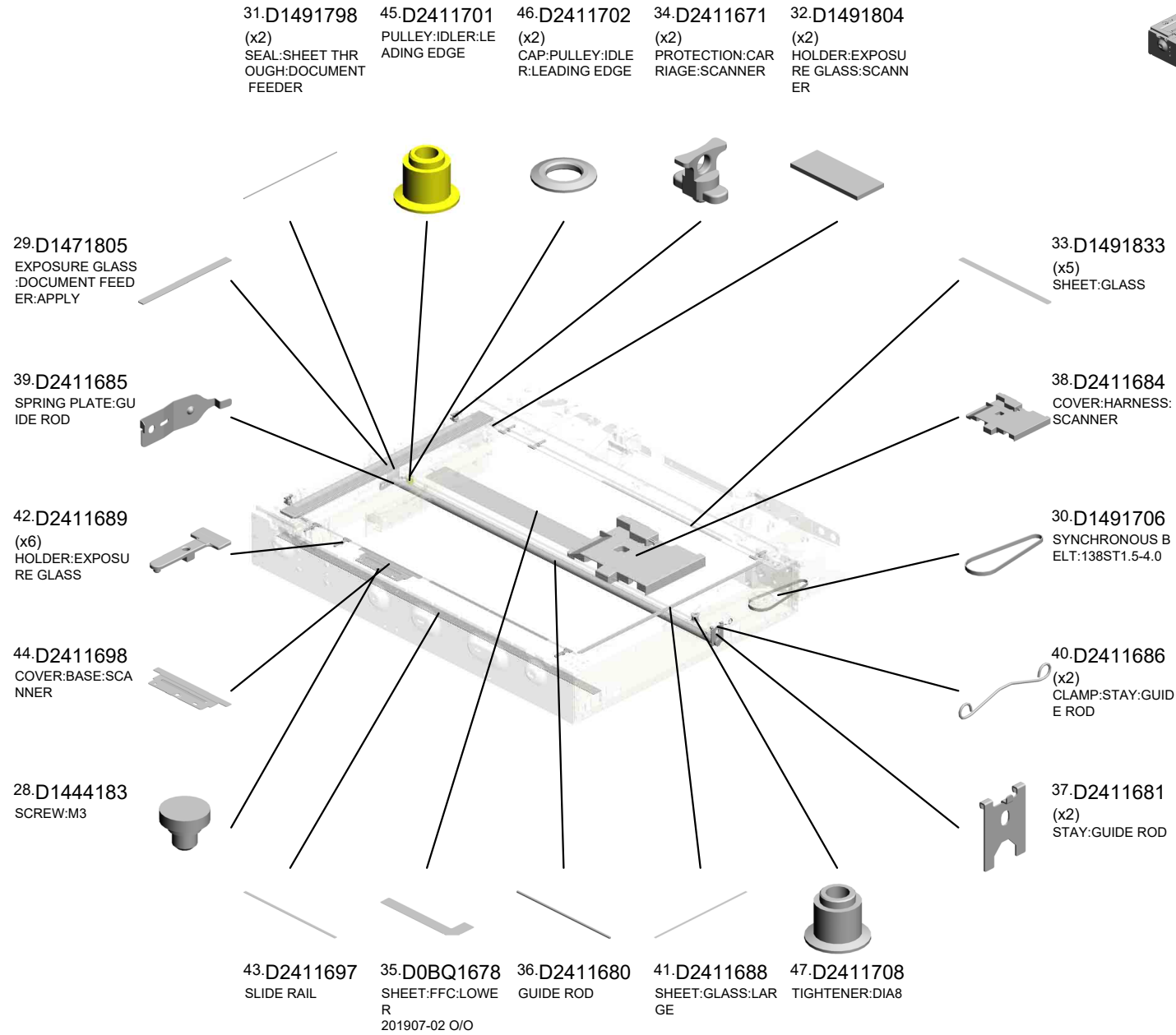
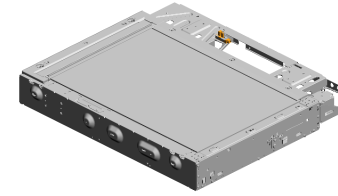
1.03130060N
(x2)
SCREW - M3X6

13.08050104
RETAINING RINGS
-E:SILENCER:DIA4

8.03603006N
(x20)
SCREW - M3X6

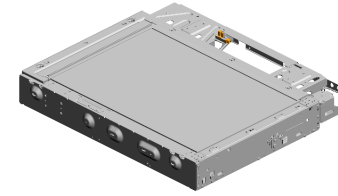
| | | | | | | | | | | | | | | | | | |
|------|------|------|------|------|------|------|------|------|------|------|------|------|------|------|------|------|------|
| U001 | U002 | U003 | U004 | U005 | U006 | U007 | U008 | U009 | U010 | U011 | U012 | U013 | U014 | U015 | U016 | U017 | U018 |
|------|------|------|------|------|------|------|------|------|------|------|------|------|------|------|------|------|------|

U003 SCANNER



U003 SCANNER

- 66.GW020026 PHOTOINTERRUPTOR:LG2A24RL1G:(S42)
202211-02 O/O
- 60.D2411741 BRACKET:DOCUMENT FEEDER:LEFT
- 59.D2411738 SCALE:REAR:PRINTING:MM
- 62.D2411744 DOCUMENT FEEDER:CABLE:BRACKET
- 61.D2411742 BRACKET:DOCUMENT FEEDER:RIGHT



65.D2411770
HOLDER:FERRITE CORE

56.D2411727
SHEET:GAP:ASSY

58.D2411733
COVER:SHEET THROUGHT FEEDER

63.D2411766
SHEET:FLAT CABLE:SBU

57.D2411732
SCALE:LEFT:MM:ASSY

50.D2411712
TENSION SPRING:TIGHTENER:TENSION:4N

48.D2411710
PULLEY:IDLER:TRAILING EDGE

49.D2411711
CAP:IDLER:TRAILING EDGE

53.D2411717
CAP:PULLEY:DRIVE:LOWER

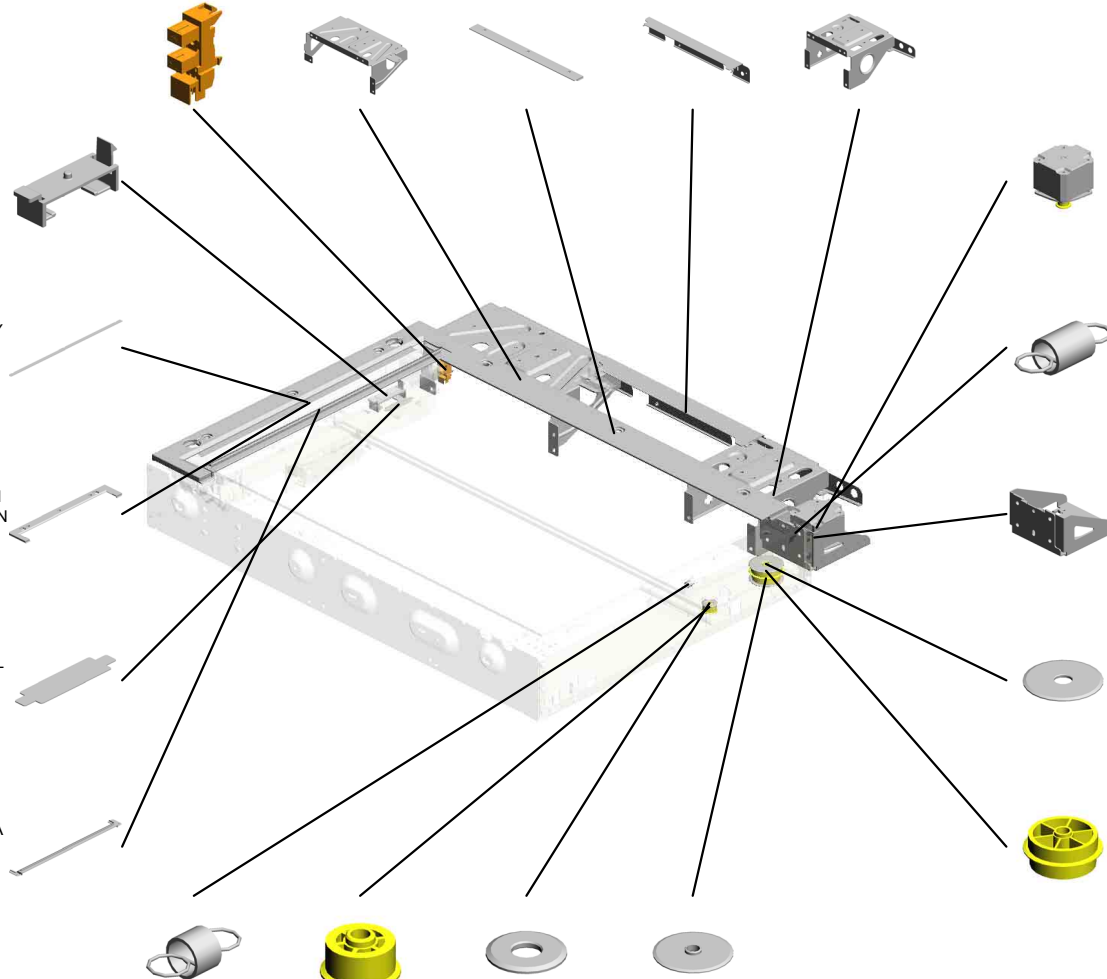
54.D2411719
DC STEPPER MOTOR:(M26)

55.D2411722
TENSION SPRING:TENSION:11N

68.D0E31721
BRACKET:DC STEPPER MOTOR

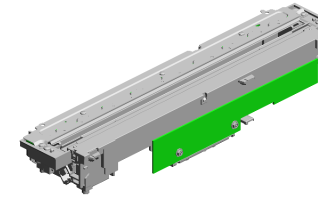
52.D2411716
CAP:PULLEY:DRIVE:UPPER

51.D2411715
PULLEY:DRIVE



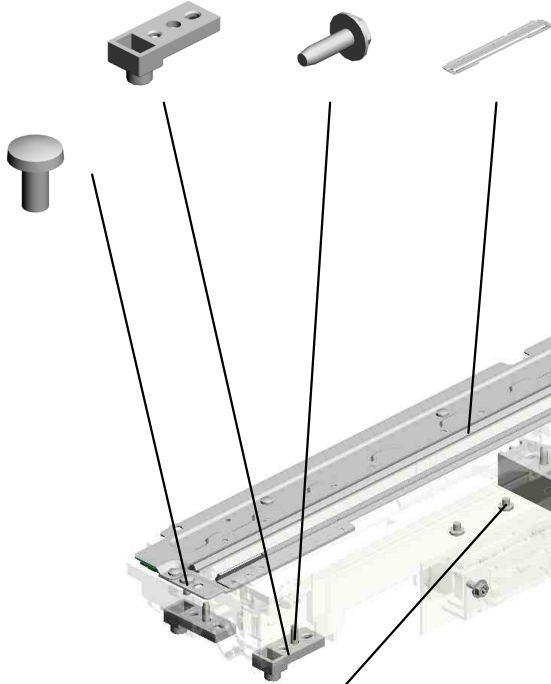
U003_S001
OPTICAL READING UNIT:CARRIAGE:SCANNER:IMC2000-6000

67.D2411768 (x2) SLIDE SHOE
 9.04583010N (x4) HEXAGON HEAD TAPPING SCREW:3 X10
 27.D0BQ1780 ILLUMINATION UNIT ASS'Y



25.D0BQ1640
OPTICAL READING UNIT:CARRIAGE:SCANNER:IMC2000-6000

6.03530060N (x3) BIND SCREW - M3 X6



64.D2411767 PLAIN SHAFT BEARING:90ANG



11.08046128 (x2) HEXAGONAL BOLT:DOUBLE SCREW: M3X10

8.03603006N (x2) SCREW - M3X6



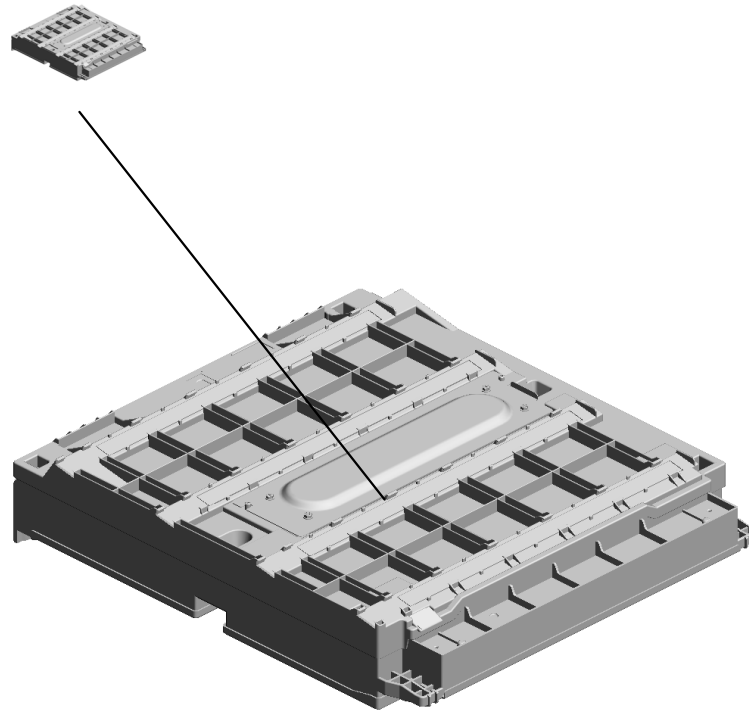
3.03530030N (x2) SCREW:M3X3



| | | | | | | | | | | | | | | | | | |
|------|------|------|------|------|------|------|------|------|------|------|------|------|------|------|------|------|------|
| U001 | U002 | U003 | U004 | U005 | U006 | U007 | U008 | U009 | U010 | U011 | U012 | U013 | U014 | U015 | U016 | U017 | U018 |
|------|------|------|------|------|------|------|------|------|------|------|------|------|------|------|------|------|------|

U004.LASER UNIT

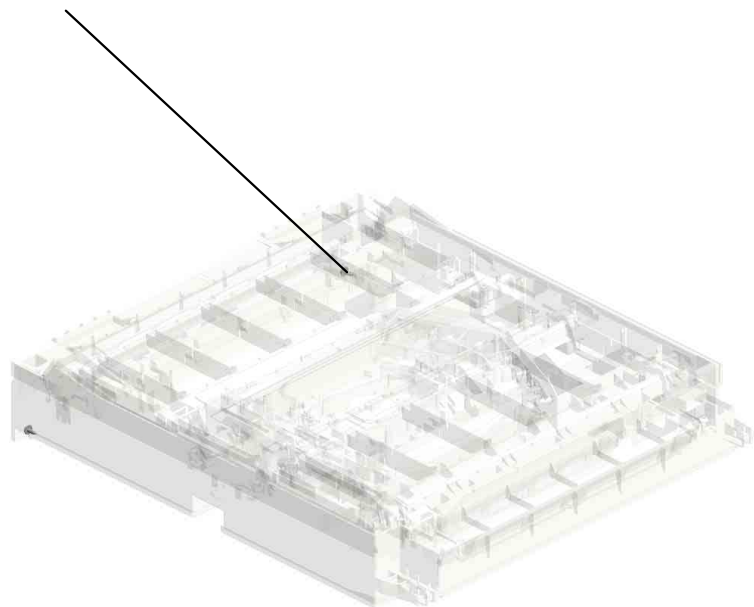
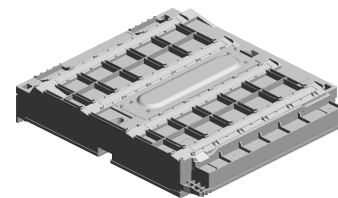
U004 S001
D0BM1855
OPTICAL WRITING UNIT:IMC
2500/IMC3000/IMC3500



| | | | | | | | | | | | | | | | | | |
|------|------|------|-------------|------|------|------|------|------|------|------|------|------|------|------|------|------|------|
| U001 | U002 | U003 | U004 | U005 | U006 | U007 | U008 | U009 | U010 | U011 | U012 | U013 | U014 | U015 | U016 | U017 | U018 |
|------|------|------|-------------|------|------|------|------|------|------|------|------|------|------|------|------|------|------|

U004
LASER UNIT

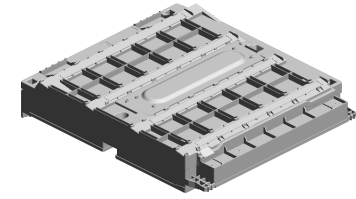
1-04543008Q
(x2)
TAPPING SCREW:
3X8



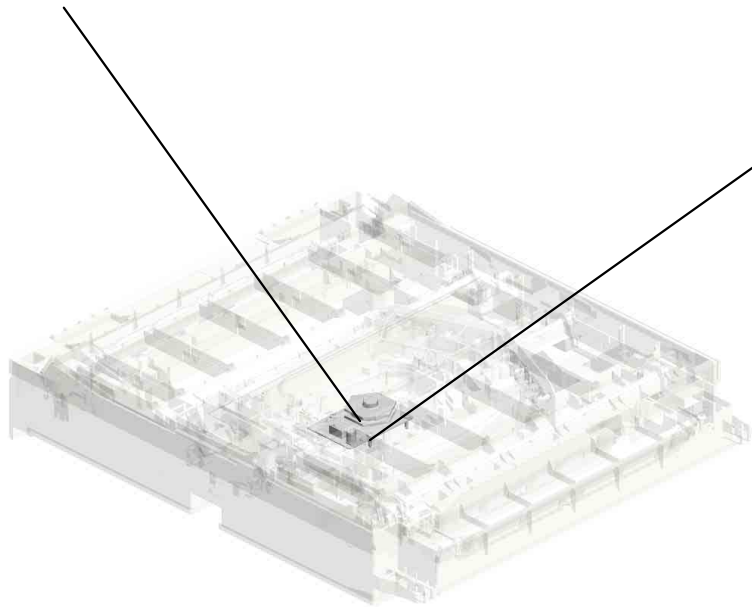
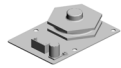
| | | | | | | | | | | | | | | | | | |
|------|------|------|-------------|------|------|------|------|------|------|------|------|------|------|------|------|------|------|
| U001 | U002 | U003 | U004 | U005 | U006 | U007 | U008 | U009 | U010 | U011 | U012 | U013 | U014 | U015 | U016 | U017 | U018 |
|------|------|------|-------------|------|------|------|------|------|------|------|------|------|------|------|------|------|------|

U004_S001
OPTICAL WRITING UNIT:IMC2500/IMC3000/IMC3500

3.AX060518
DC POLYGON MIR
ROR MOTOR:(M27)



4.D0BM1855
OPTICAL WRITING
UNIT:IMC2500/IMC
3000/IMC3500



2.04593010N
(x4)
BINDING HEAD TA
PPING SCREW:3X
10

| | | | | | | | | | | | | | | | | | |
|------|------|------|------|------|------|------|------|------|------|------|------|------|------|------|------|------|------|
| U001 | U002 | U003 | U004 | U005 | U006 | U007 | U008 | U009 | U010 | U011 | U012 | U013 | U014 | U015 | U016 | U017 | U018 |
|------|------|------|------|------|------|------|------|------|------|------|------|------|------|------|------|------|------|

U005.PAPER FEED

U005 S006
D1492905
SUPPORTER:RIGHT:NO.1:AS
SY

U005 S001
D0BQ2711
PAPER FEED UNIT:NO.1:ASS
Y

U005 S003
D1492713
GUIDE PLATE:SWIVEL:NO.1

U005 S004
D0BQ2800
PAPER TRAY:NO.1:ASSY

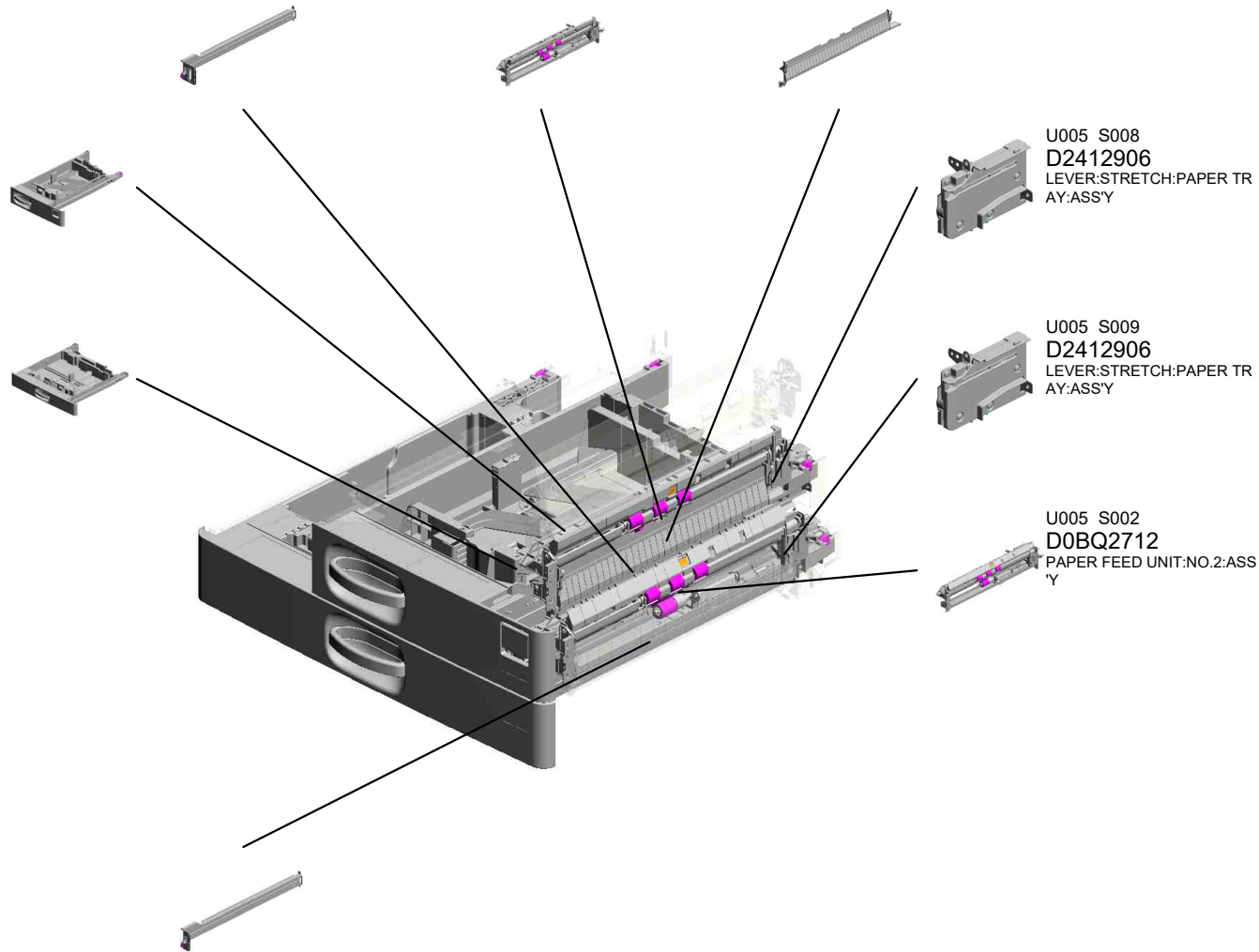
U005 S008
D2412906
LEVER:STRETCH:PAPER TR
AY:ASSY

U005 S005
D0BQ2805
PAPER TRAY:NO.2:ASSY

U005 S009
D2412906
LEVER:STRETCH:PAPER TR
AY:ASSY

U005 S002
D0BQ2712
PAPER FEED UNIT:NO.2:ASS
Y

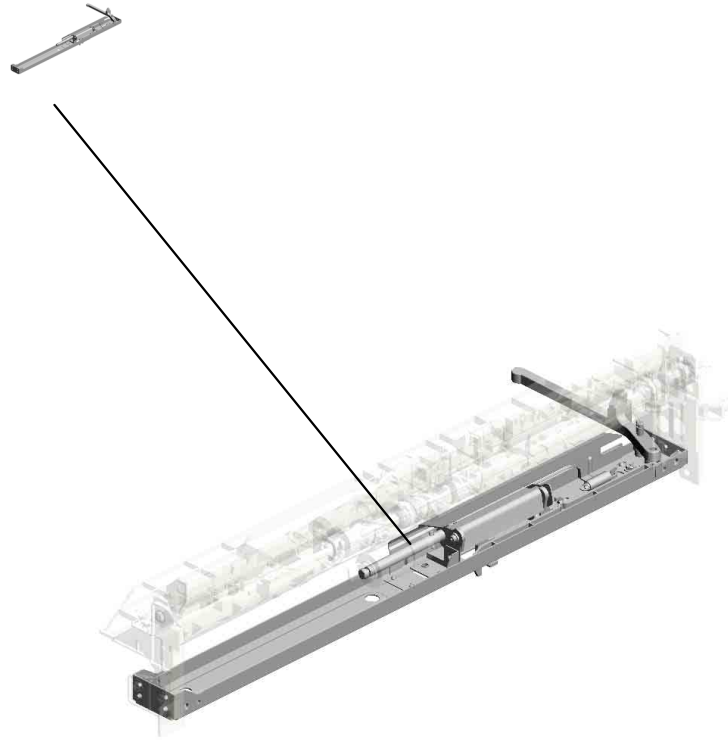
U005 S007
D1492903
SUPPORTER:RIGHT:NO.2:AS
SY



| | | | | | | | | | | | | | | | | | |
|------|------|------|------|------|------|------|------|------|------|------|------|------|------|------|------|------|------|
| U001 | U002 | U003 | U004 | U005 | U006 | U007 | U008 | U009 | U010 | U011 | U012 | U013 | U014 | U015 | U016 | U017 | U018 |
|------|------|------|------|------|------|------|------|------|------|------|------|------|------|------|------|------|------|

U005_S001.PAPER FEED UNIT:NO.1:ASS'Y

U005 S001 S001
D2412705
STAY:PAPER FEED UNIT:LO
WER:ASS'Y



| | | | | | | | | | | | | | | | | | |
|------|------|------|------|------|------|------|------|------|------|------|------|------|------|------|------|------|------|
| U001 | U002 | U003 | U004 | U005 | U006 | U007 | U008 | U009 | U010 | U011 | U012 | U013 | U014 | U015 | U016 | U017 | U018 |
|------|------|------|------|------|------|------|------|------|------|------|------|------|------|------|------|------|------|

U005_S002.PAPER FEED UNIT:NO.2:ASS'Y

U005 S002 S001
D2412705
STAY:PAPER FEED UNIT:LO
WER:ASS'Y



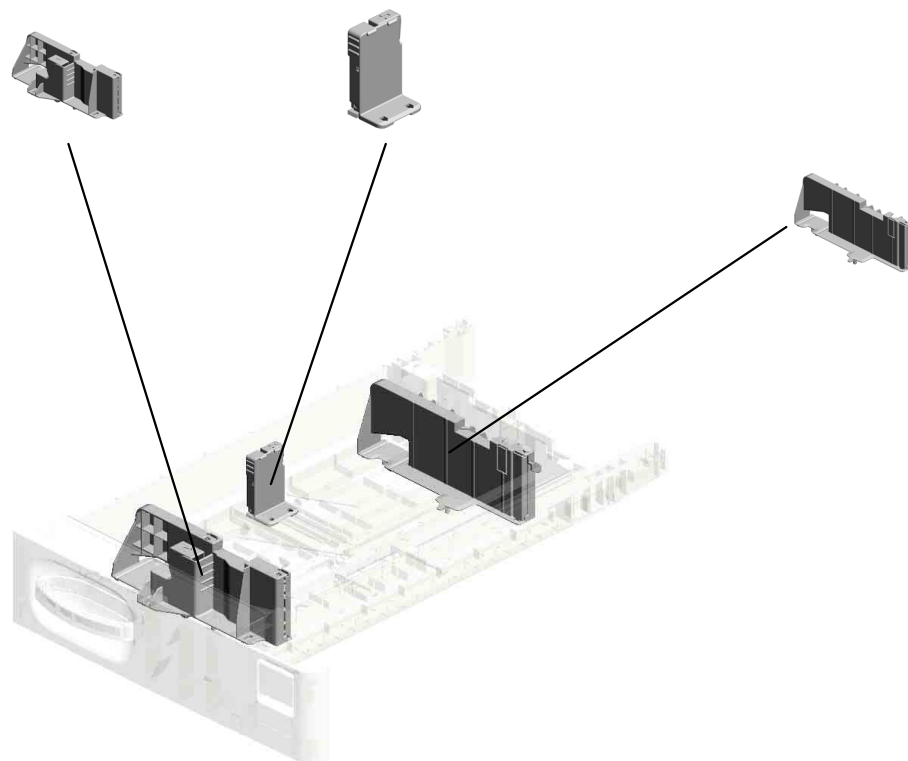
| | | | | | | | | | | | | | | | | | |
|------|------|------|------|------|------|------|------|------|------|------|------|------|------|------|------|------|------|
| U001 | U002 | U003 | U004 | U005 | U006 | U007 | U008 | U009 | U010 | U011 | U012 | U013 | U014 | U015 | U016 | U017 | U018 |
|------|------|------|------|------|------|------|------|------|------|------|------|------|------|------|------|------|------|

U005_S004.PAPER TRAY:NO.1:ASS'Y

U005 S004 S001
D0BQ2828
SIDE FENCE:FRONT:NO.1:A
SS'Y

U005 S004 S003
D0BQ2840
END FENCE:PAPER TRAY:A
SS'Y

U005 S004 S002
D0BQ2838
SIDE FENCE:REAR:NO.1:AS
S'Y



| | | | | | | | | | | | | | | | | | |
|------|------|------|------|------|------|------|------|------|------|------|------|------|------|------|------|------|------|
| U001 | U002 | U003 | U004 | U005 | U006 | U007 | U008 | U009 | U010 | U011 | U012 | U013 | U014 | U015 | U016 | U017 | U018 |
|------|------|------|------|------|------|------|------|------|------|------|------|------|------|------|------|------|------|

U005_S005.PAPER TRAY:NO.2:ASS'Y

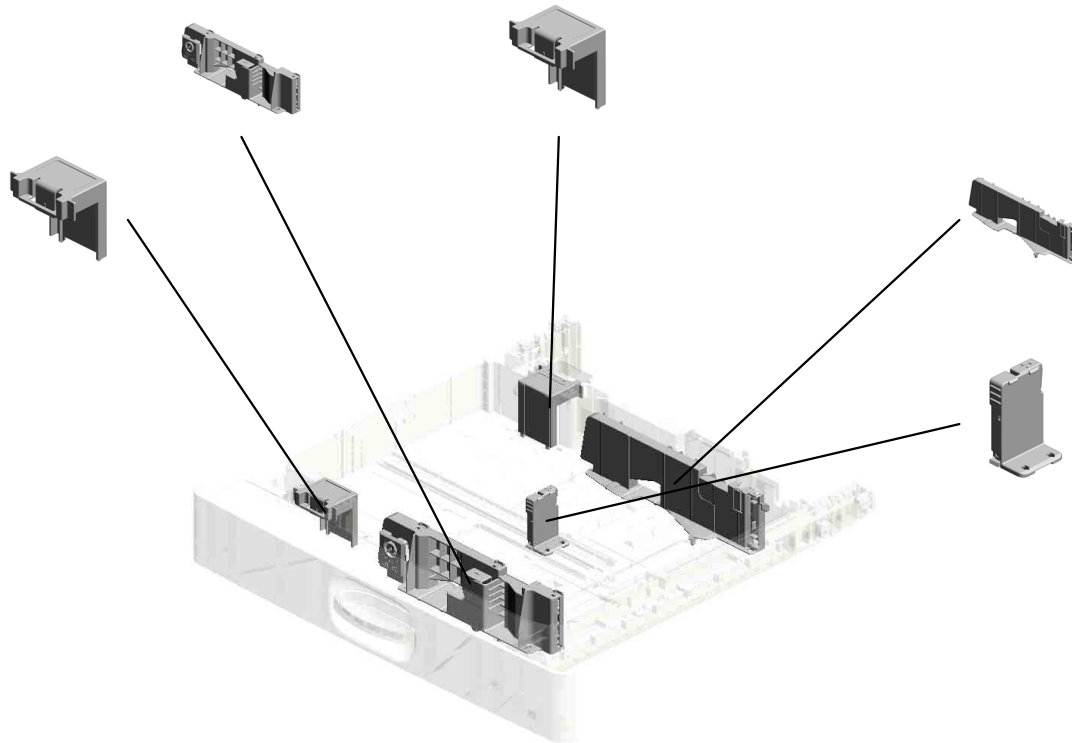
U005 S005 S001
D0BQ2875
SIDE FENCE:FRONT:ASS'Y

U005 S005 S005
D2412873
SIDE FENCE:AUXILIARY

U005 S005 S004
D2412873
SIDE FENCE:AUXILIARY

U005 S005 S002
D0BQ2881
SIDE FENCE:REAR:SUB-ASS
'Y

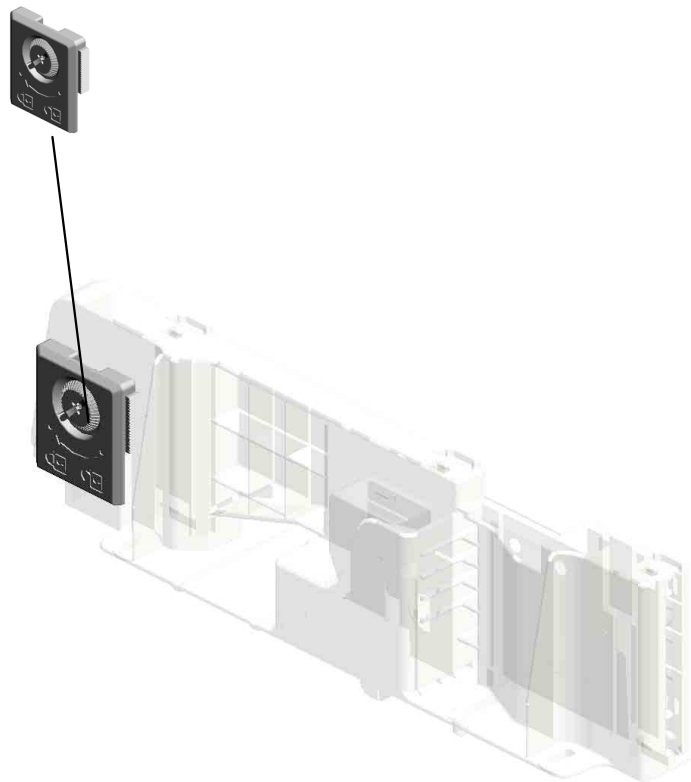
U005 S005 S003
D0BQ2840
END FENCE:PAPER TRAY:A
SS'Y



| | | | | | | | | | | | | | | | | | |
|------|------|------|------|------|------|------|------|------|------|------|------|------|------|------|------|------|------|
| U001 | U002 | U003 | U004 | U005 | U006 | U007 | U008 | U009 | U010 | U011 | U012 | U013 | U014 | U015 | U016 | U017 | U018 |
|------|------|------|------|------|------|------|------|------|------|------|------|------|------|------|------|------|------|

U005_S005_S001.SIDE FENCE:FRONT:ASS'Y

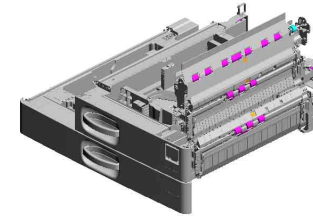
U005 S005 S001 S001
D0BQ2966
STAY:END FENCE:ASS'Y



| | | | | | | | | | | | | | | | | | |
|------|------|------|------|-------------|------|------|------|------|------|------|------|------|------|------|------|------|------|
| U001 | U002 | U003 | U004 | U005 | U006 | U007 | U008 | U009 | U010 | U011 | U012 | U013 | U014 | U015 | U016 | U017 | U018 |
|------|------|------|------|-------------|------|------|------|------|------|------|------|------|------|------|------|------|------|

U005 PAPER FEED

- 13.11050765 CLAMP:LWS-2218A
- 25.AW500049 (x2) PUSH SWITCH:SW 1AG-550:(S4/S17/S 19/S21)
- 12.11050758 (x2) CLAMP:LWSM-030 6A
- 17.AA082175 (x2) PLAIN SHAFT BEA RING:8X12X7
- 8.07200060E (x3) RETAINING RING - M6



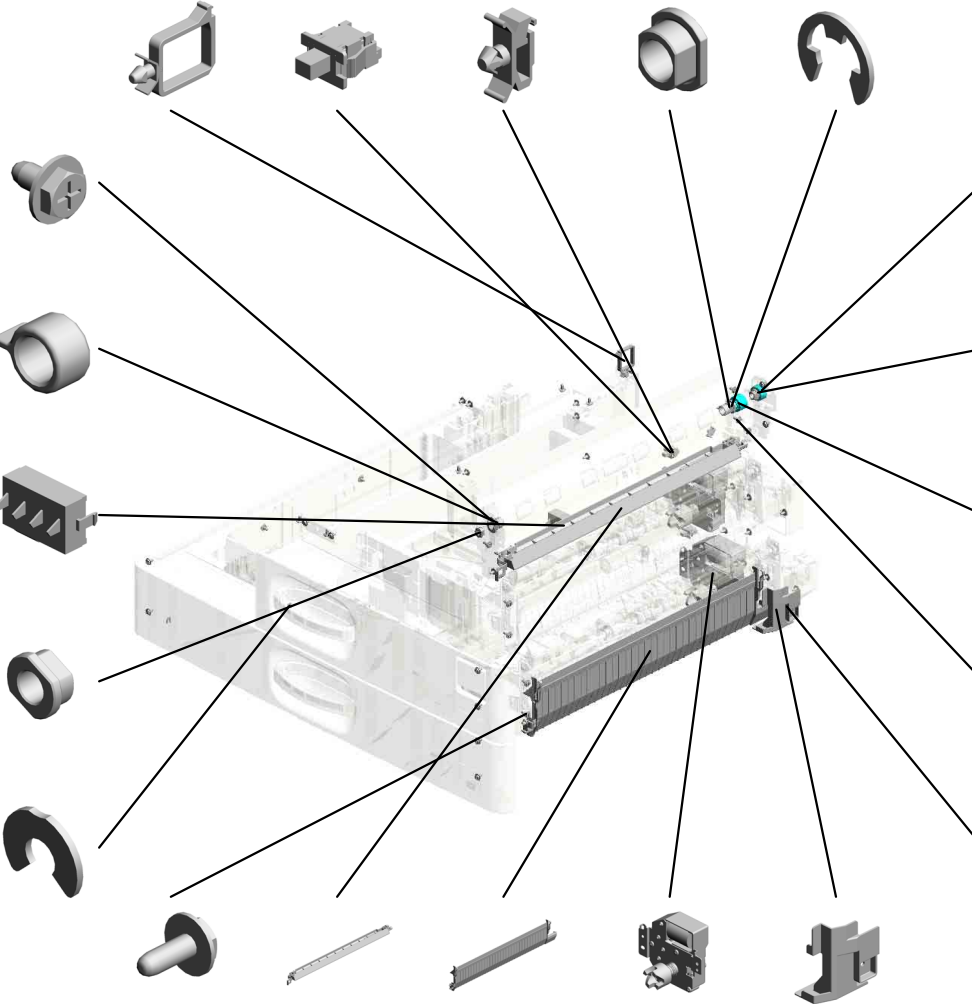
- 3.04543006Q (x43) TAPPING SCREW - M3X6

- 56.D1492562 (x2) COLLAR:REGISTRATI ON ROLLER

- 24.AW500044 PUSH SWITCH:PA PER SIZE SENSOR :(SW1)

- 15.AA082173 (x2) PLAIN SHAFT BEA RING:6X10X6

- 9.08050103 (x2) RETAINING RINGS -E:SILENCER-DIA3



- 7.07200040E (x2) RETAINING RING - M4



- 11.11050046 (x2) HARNESS BAND

- 20.AB011573 GEAR:REGISTRATI ON:NO.2

- 19.AB011572 GEAR:Z19:DRIVEN: REGISTRATION

- 5.04583008N (x4) HEXAGON HEAD T APPING SCREW:3 X8

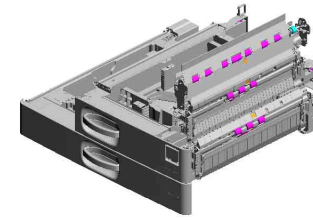
- 68.D1492787 BRACKET:SUPPO RT:COVER

- 4.04543008Q (x5) TAPPING SCREW: 3X8
- 29.D0BQ2566 CASE:REMOVE PA PER DUST:ASS'Y
- 59.D0E32721 GUIDE PLATE:SWI VEL:NO.2 202303-11 O/O
- 26.AX040273 (x2) DC MOTOR:RISING TRAY:ASS'Y:1.007 W:BRUSH:(M9/M10)
- 69.D1492788 INNER COVER:HA RNESS:PAPER FE ED UNIT

| | | | | | | | | | | | | | | | | | |
|------|------|------|------|------|------|------|------|------|------|------|------|------|------|------|------|------|------|
| U001 | U002 | U003 | U004 | U005 | U006 | U007 | U008 | U009 | U010 | U011 | U012 | U013 | U014 | U015 | U016 | U017 | U018 |
|------|------|------|------|------|------|------|------|------|------|------|------|------|------|------|------|------|------|

U005 PAPER FEED

- 93.D1492918 SUPPORTER:LEFT UPPER:NO.1
- 137.D1492571 GUIDE:POSITIONING:REGISTRATION:FRONT
- 90.D1492889 COVER:TRAY:REAR LEFT:NO.2
- 88.D1492887 COVER:TRAY:REAR LEFT:NO.1

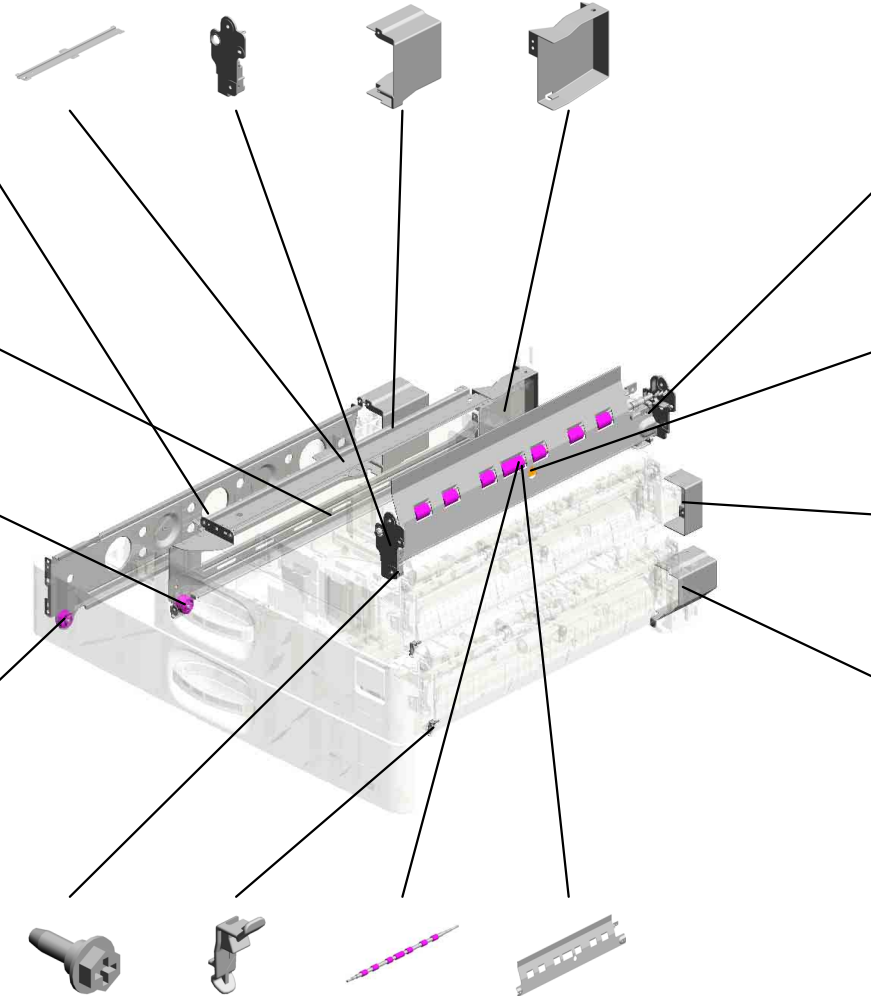


- 96.D1492925 SUPPORTER:LEFT :NO.2

- 98.D1492930 SUPPORTER:LEFT LOWER:NO.1:PEEN

- 100.D1492958 ROLLER:SUPPORTER:PAPER TRAY:LEFT

- 97.D1492928 ROLLER:SUPPORTER:PAPER TRAY:LEFT



- 138.D1492572 GUIDE:POSITIONING:REGISTRATION:REAR

- 132.GW010007 PHOTO REFLECTION SENSOR:EXIT:(S3/S9/S10/S12/S14/S16/S22/S24)

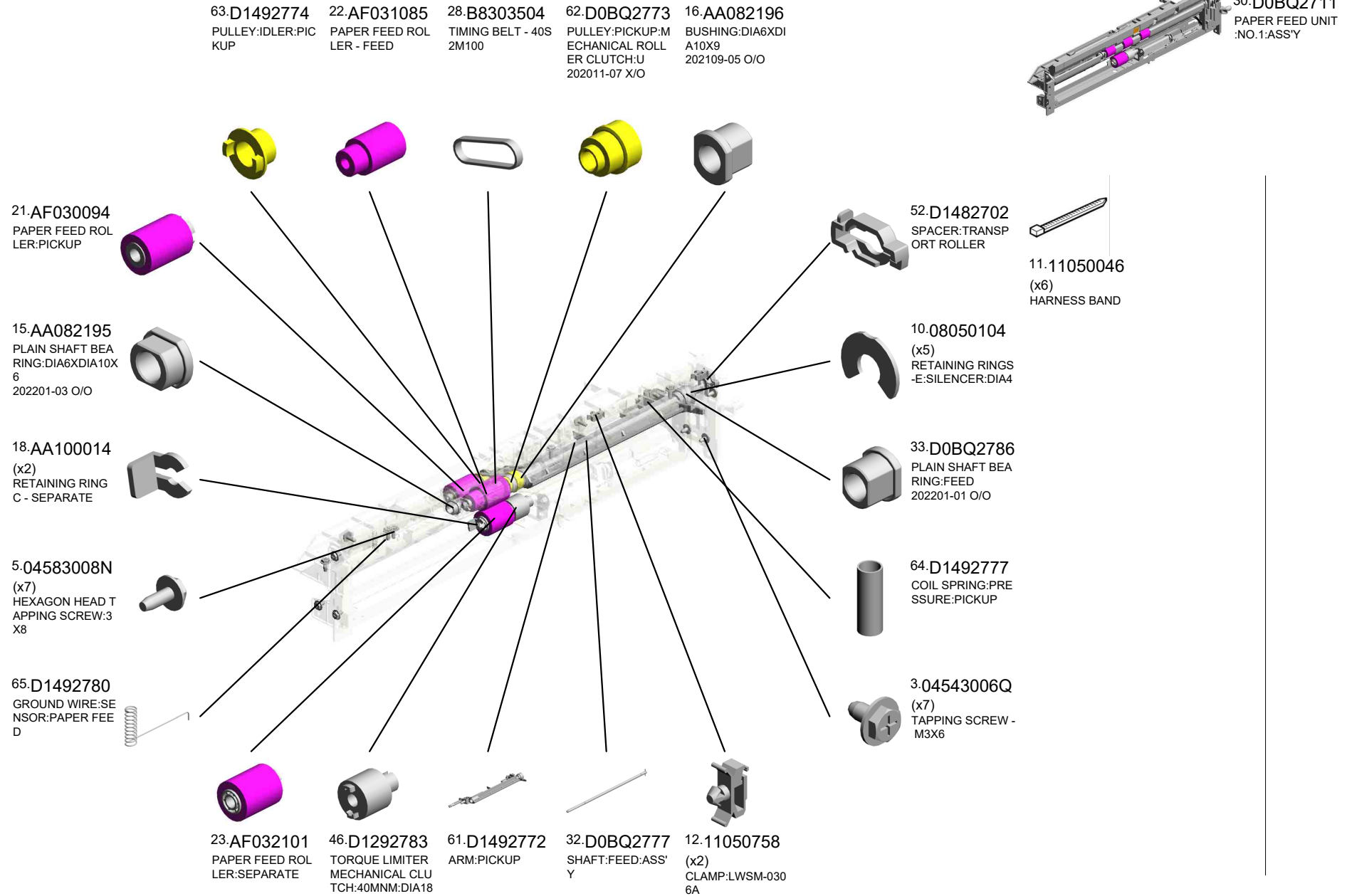
- 87.D1492886 COVER:TRAY:REAR RIGHT:NO.1

- 89.D1492888 COVER:TRAY:REAR RIGHT:NO.2

- 131.GA143003 SCREW:MM5:2.5MM
- 112.D2412731 (x2) STOPPER:GUIDE PLATE:SWIVEL
- 107.D2412559 SHAFT:REGISTRATION ROLLER:DRIVEN
- 108.D2412576 GUIDE PLATE:REGISTRATION:FRONT LEFT

| | | | | | | | | | | | | | | | | | |
|------|------|------|------|------|------|------|------|------|------|------|------|------|------|------|------|------|------|
| U001 | U002 | U003 | U004 | U005 | U006 | U007 | U008 | U009 | U010 | U011 | U012 | U013 | U014 | U015 | U016 | U017 | U018 |
|------|------|------|------|------|------|------|------|------|------|------|------|------|------|------|------|------|------|

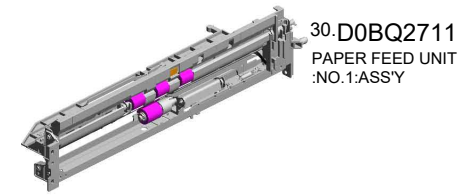
U005_S001
PAPER FEED UNIT:NO.1:ASS'Y



| | | | | | | | | | | | | | | | | | |
|------|------|------|------|------|------|------|------|------|------|------|------|------|------|------|------|------|------|
| U001 | U002 | U003 | U004 | U005 | U006 | U007 | U008 | U009 | U010 | U011 | U012 | U013 | U014 | U015 | U016 | U017 | U018 |
|------|------|------|------|------|------|------|------|------|------|------|------|------|------|------|------|------|------|

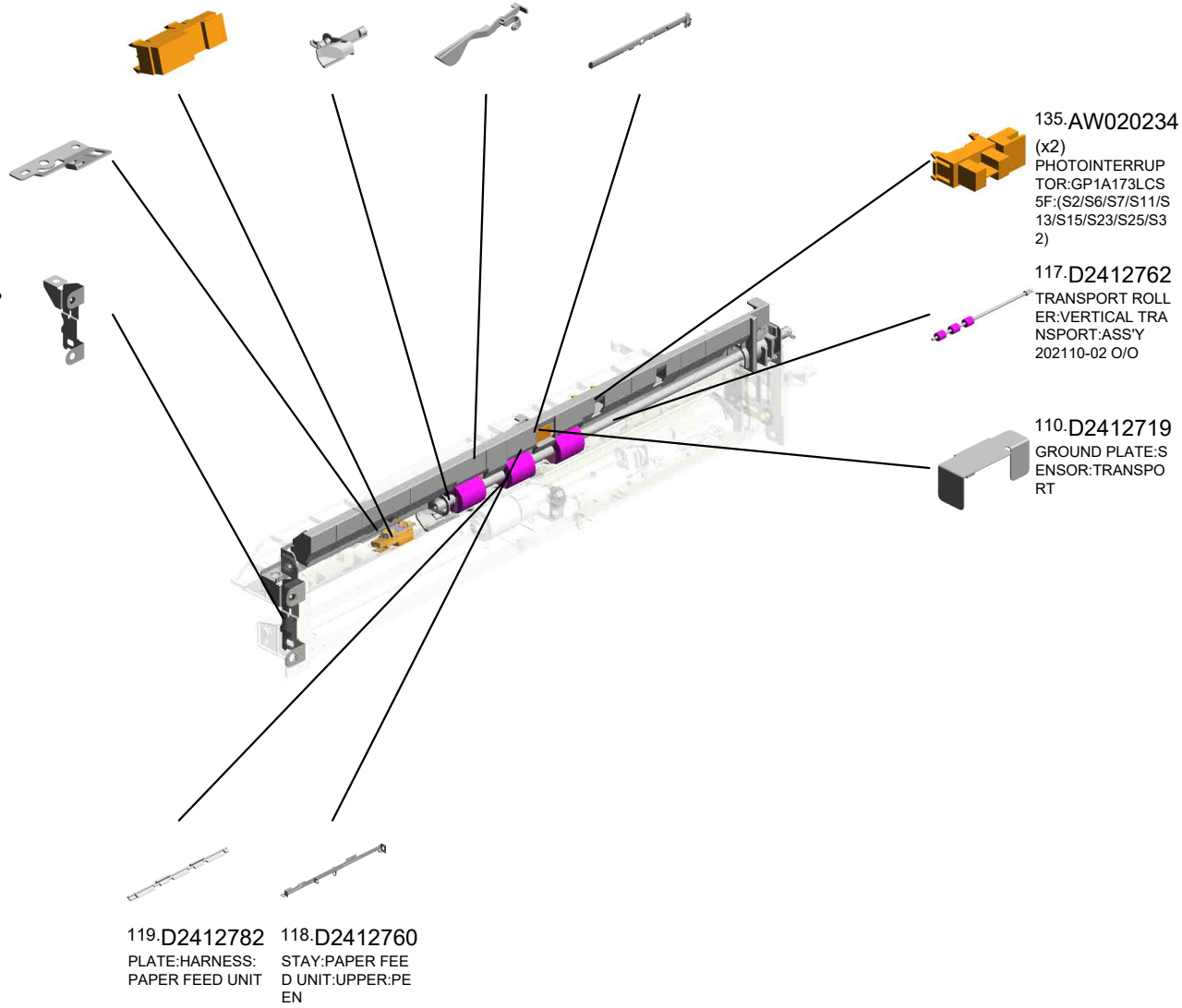
U005_S001
 PAPER FEED UNIT:NO.1:ASS'Y

132.GW010007 (x2) PHOTO REFLECTI ON SENSOR:EXIT:(S3/S9/S10/S12/S14/ S16/S22/S24)
 139.D2022791 GUIDE:FEED
 105.D2022778 FEELER:PAPER E ND
 114.D2412741 GUIDE PLATE:VER TICAL TRANSPOR T:PAPER FEED UN IT:NO.1



67.D1492784
 BRACKET:SENSO R:PAPER FEED

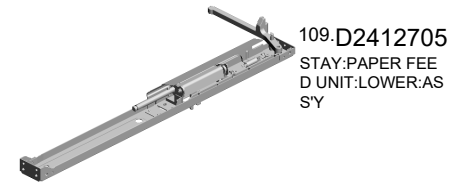
66.D1492781
 GROUND PLATE:P APER FEED UNIT



| | | | | | | | | | | | | | | | | | |
|------|------|------|------|------|------|------|------|------|------|------|------|------|------|------|------|------|------|
| U001 | U002 | U003 | U004 | U005 | U006 | U007 | U008 | U009 | U010 | U011 | U012 | U013 | U014 | U015 | U016 | U017 | U018 |
|------|------|------|------|------|------|------|------|------|------|------|------|------|------|------|------|------|------|

U005_S001_S001
 STAY:PAPER FEED UNIT:LOWER:ASS'Y

48.D1472737 LEVER:PRESSURE :SEPARATE
 53.D1482751 ARM:PRESSURE:SEPARATE
 10.08050104 RETAINING RINGS -E:SILENCER:DIA4
 60.D1492739 LEVER:PRESSURE RELEASE

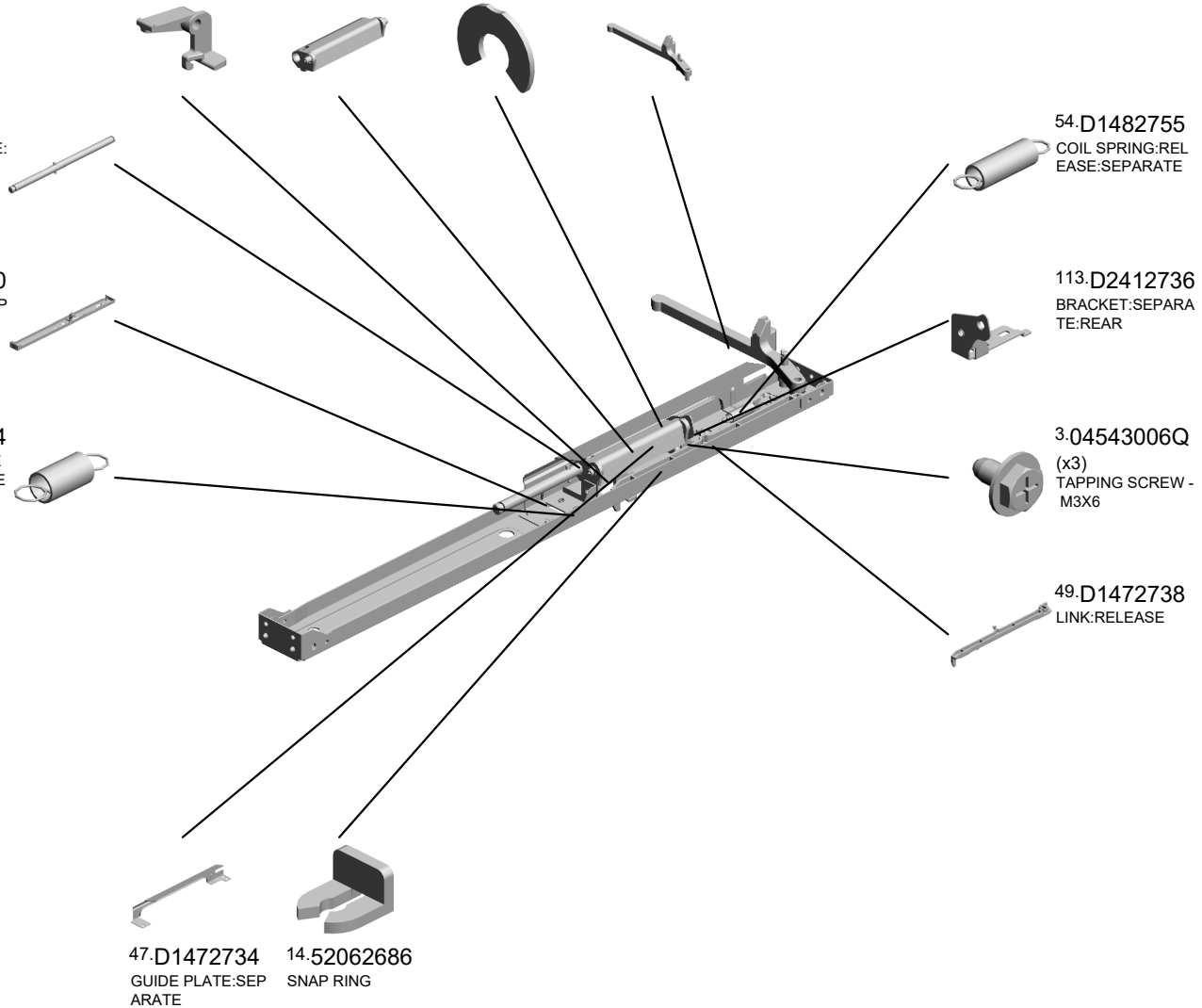


109.D2412705
 STAY:PAPER FEED UNIT:LOWER:ASS'Y

50.D1472752
 SHAFT:SEPARATE:ASS'Y

111.D2412730
 STAY:SEPARATE:PEEN

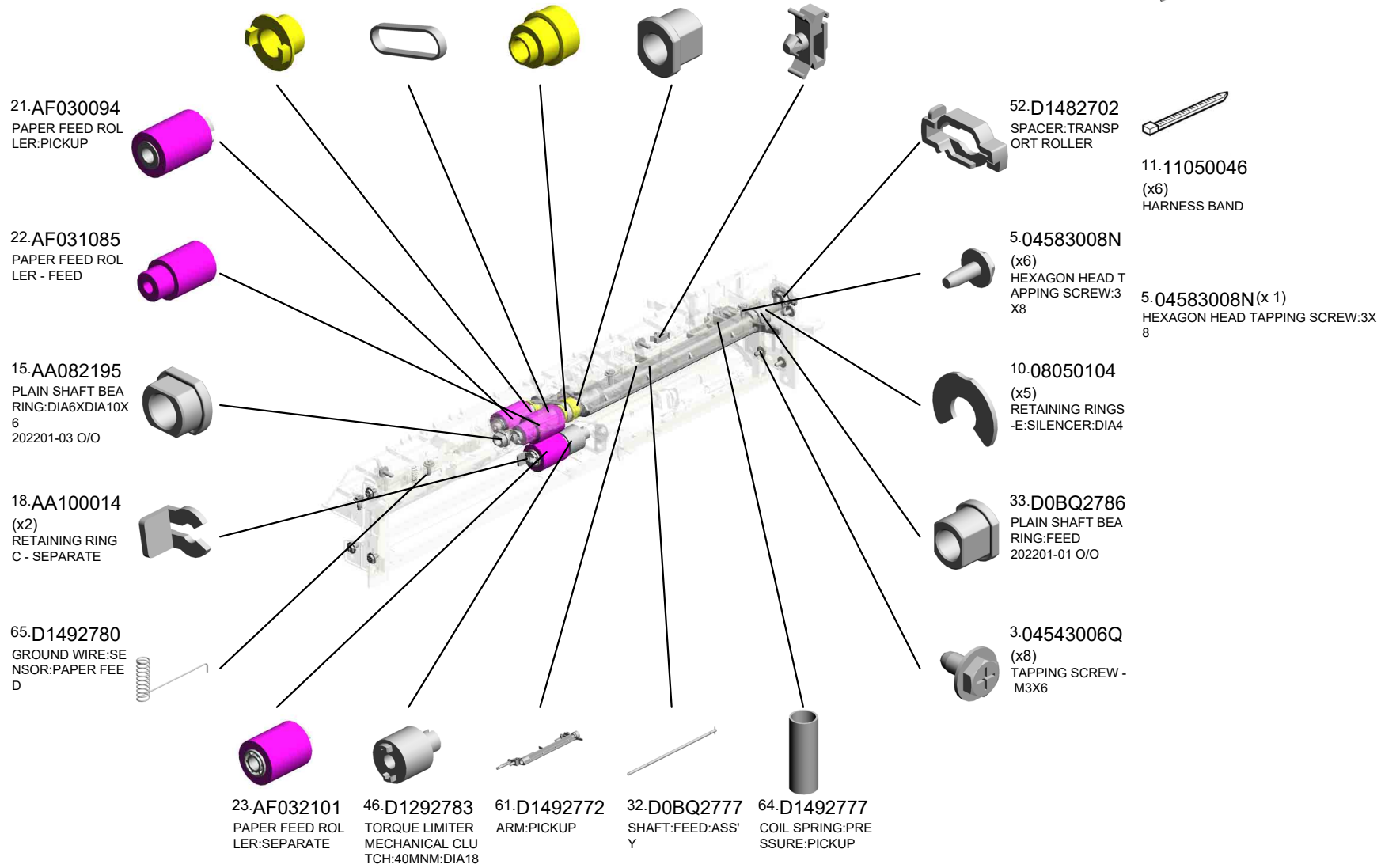
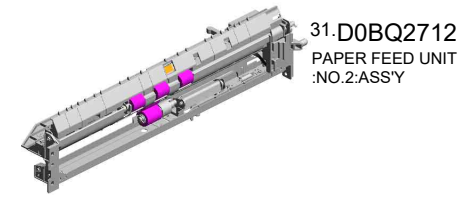
116.D2412754
 COIL SPRING:PRESSURE:SEPARATE



| | | | | | | | | | | | | | | | | | |
|------|------|------|------|------|------|------|------|------|------|------|------|------|------|------|------|------|------|
| U001 | U002 | U003 | U004 | U005 | U006 | U007 | U008 | U009 | U010 | U011 | U012 | U013 | U014 | U015 | U016 | U017 | U018 |
|------|------|------|------|------|------|------|------|------|------|------|------|------|------|------|------|------|------|

U005_S002
PAPER FEED UNIT:NO.2:ASS'Y

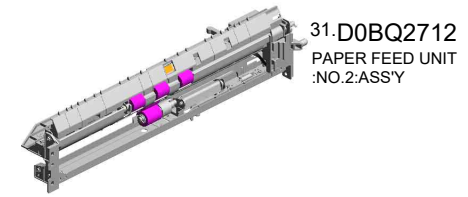
- 63.D1492774 PULLEY:IDLER:PIKUP
- 28.B8303504 TIMING BELT - 40S 2M100
- 62.D0BQ2773 PULLEY:PICKUP:MECHANICAL ROLLER CLUTCH:U 202011-07 X/O
- 16.AA082196 BUSHING:DIA6XDIA10X9 202109-05 O/O
- 12.11050758 CLAMP:LWSM-030 6A



| | | | | | | | | | | | | | | | | | |
|------|------|------|------|------|------|------|------|------|------|------|------|------|------|------|------|------|------|
| U001 | U002 | U003 | U004 | U005 | U006 | U007 | U008 | U009 | U010 | U011 | U012 | U013 | U014 | U015 | U016 | U017 | U018 |
|------|------|------|------|------|------|------|------|------|------|------|------|------|------|------|------|------|------|

U005_S002
PAPER FEED UNIT:NO.2:ASS'Y

139.D2022791 GUIDE:FEED
105.D2022778 FEELER:PAPER E
ND
110.D2412719 GROUND PLATE:S
ENSOR:TRANSPO
RT



67.D1492784
BRACKET:SENSO
R:PAPER FEED



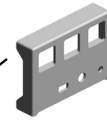
132.GW010007
(x2)
PHOTO REFLECTI
ON SENSOR:EXIT:(
S3/S9/S10/S12/S14/
S16/S22/S24)



66.D1492781
GROUND PLATE:P
APER FEED UNIT



104.D1752726
STOPPER:GUIDE P
LATE:SWIVEL



117.D2412762
TRANSPORT ROLL
ER:VERTICAL TRA
NSPORT:ASS'Y
202110-02 O/O



135.AW020234
(x2)
PHOTOINTERRUP
TOR:GP1A173LCS
5F:(S2/S6/S7/S11/S
13/S15/S23/S25/S3
2)



119.D2412782 PLATE:HARNESS:
PAPER FEED UNIT
118.D2412760 STAY:PAPER FEE
D UNIT:UPPER:PE
EN
115.D2412742 GUIDE PLATE:VER
TICAL TRANSPOR
T:PAPER FEED UN
IT:NO.2

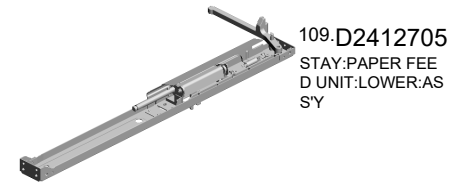


| | | | | | | | | | | | | | | | | | |
|------|------|------|------|------|------|------|------|------|------|------|------|------|------|------|------|------|------|
| U001 | U002 | U003 | U004 | U005 | U006 | U007 | U008 | U009 | U010 | U011 | U012 | U013 | U014 | U015 | U016 | U017 | U018 |
|------|------|------|------|------|------|------|------|------|------|------|------|------|------|------|------|------|------|

U005_S002_S001

STAY:PAPER FEED UNIT:LOWER:ASS'Y

48.D1472737 LEVER:PRESSURE
:SEPARATE
53.D1482751 ARM:PRESSURE:S
EPARATE
10.08050104 RETAINING RINGS
-E:SILENCER:DIA4
60.D1492739 LEVER:PRESSURE
RELEASE

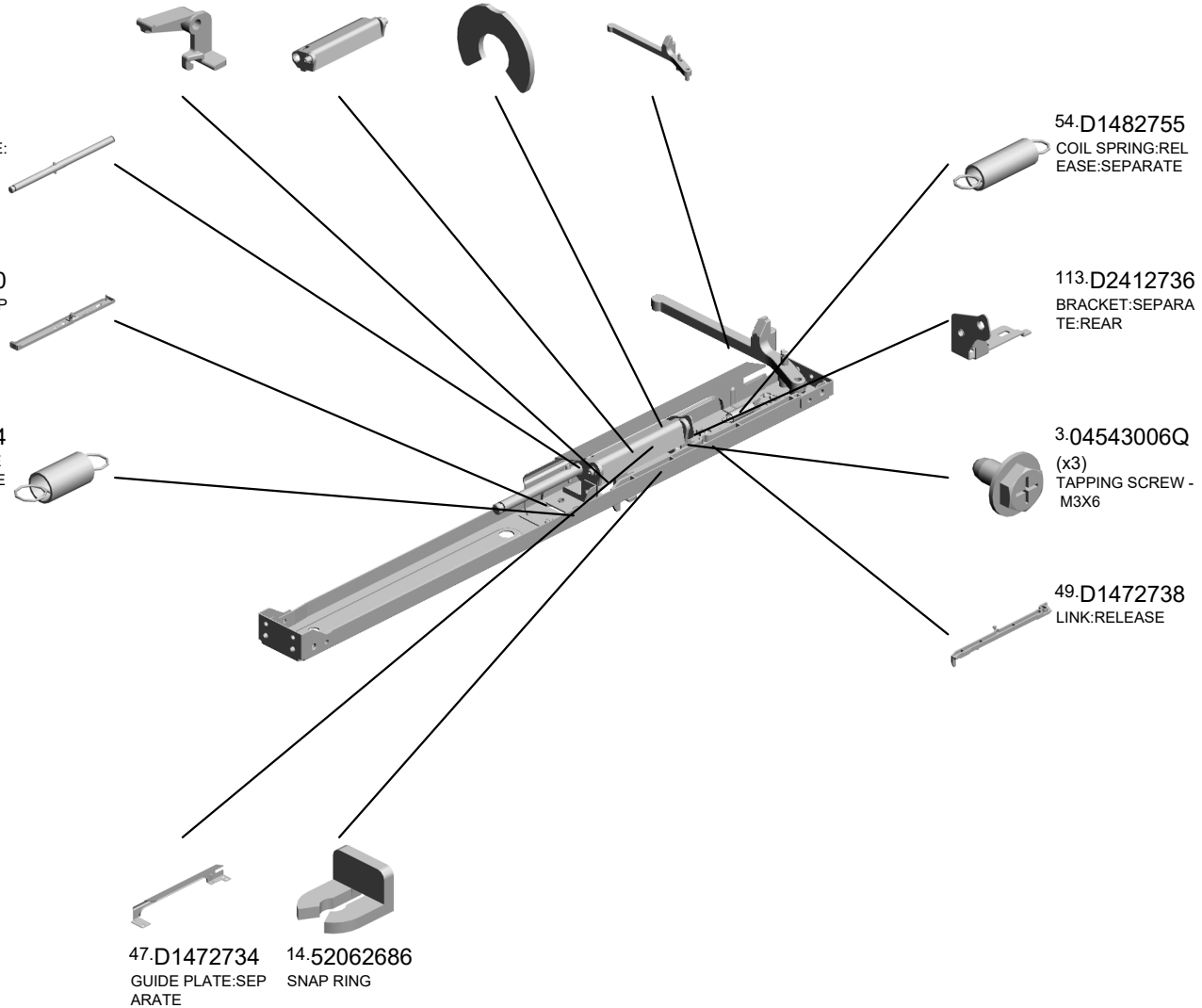


109.D2412705
STAY:PAPER FEE
D UNIT:LOWER:AS
SY

50.D1472752
SHAFT:SEPARATE:
ASS'Y

111.D2412730
STAY:SEPARATE:P
EEN

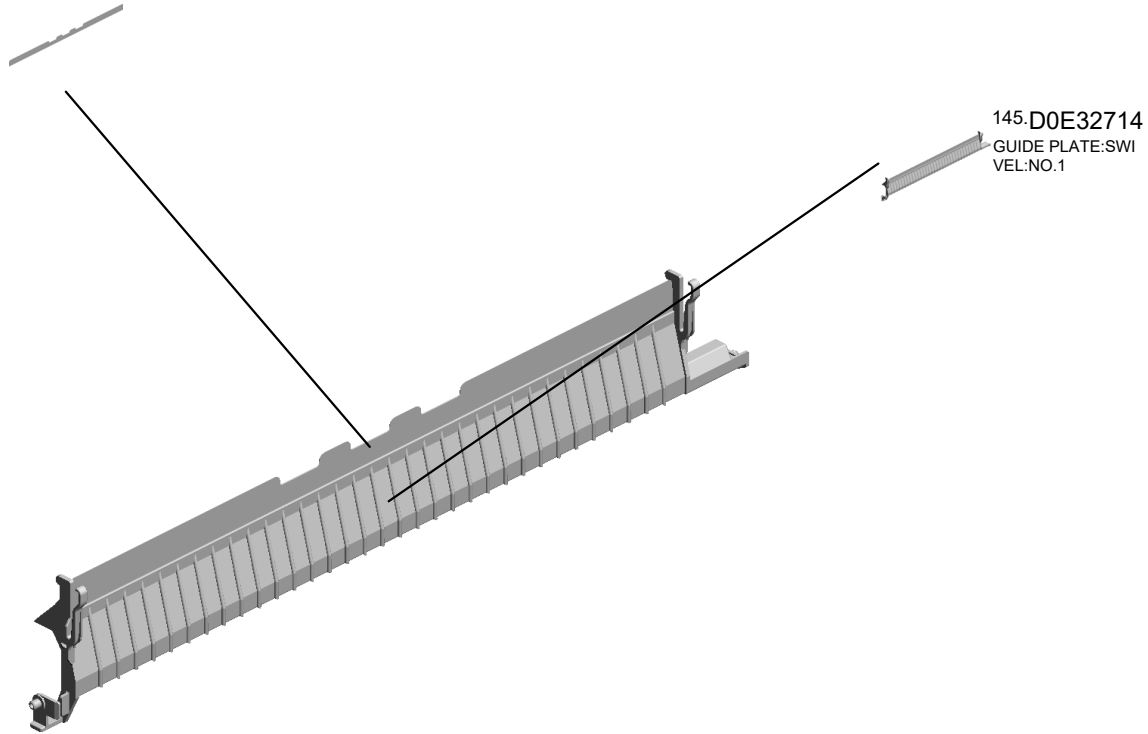
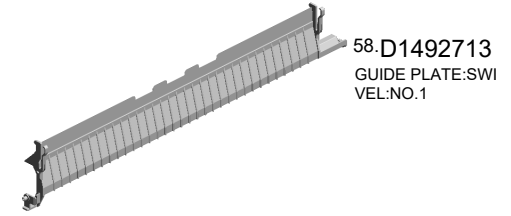
116.D2412754
COIL SPRING:PRE
SSURE:SEPARATE



| | | | | | | | | | | | | | | | | | |
|------|------|------|------|------|------|------|------|------|------|------|------|------|------|------|------|------|------|
| U001 | U002 | U003 | U004 | U005 | U006 | U007 | U008 | U009 | U010 | U011 | U012 | U013 | U014 | U015 | U016 | U017 | U018 |
|------|------|------|------|------|------|------|------|------|------|------|------|------|------|------|------|------|------|

U005_S003
GUIDE PLATE:SWIVEL:NO.1

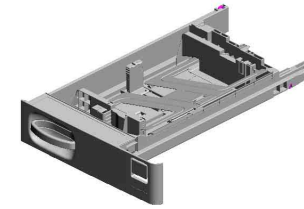
57.D1492712
SHEET:GUIDE PLA
TE:SWIVEL



| | | | | | | | | | | | | | | | | | |
|------|------|------|------|------|------|------|------|------|------|------|------|------|------|------|------|------|------|
| U001 | U002 | U003 | U004 | U005 | U006 | U007 | U008 | U009 | U010 | U011 | U012 | U013 | U014 | U015 | U016 | U017 | U018 |
|------|------|------|------|------|------|------|------|------|------|------|------|------|------|------|------|------|------|

U005_S004
PAPER TRAY:NO.1:ASS'Y

- 44.D0BQ2896 DECAL:SIZE INDICATION:SIDE FENCE:NO.1
- 39.D0BQ2846 DECAL:SIZE INDICATION:END FENCE:NO.1:FRONT
- 133.D0BQ2850 TRAY BOTTOM PLATE:ASS'Y
- 72.D1492814 COIL SPRING:EAR TH
- 70.D1492812 (x4) ROLLER:PAPER TRAY:DIA19



34.D0BQ2800
PAPER TRAY:NO.1
:ASS'Y

40.D0BQ2863
DECAL:PAPER SET DIRECTION:TRAY:NO.1



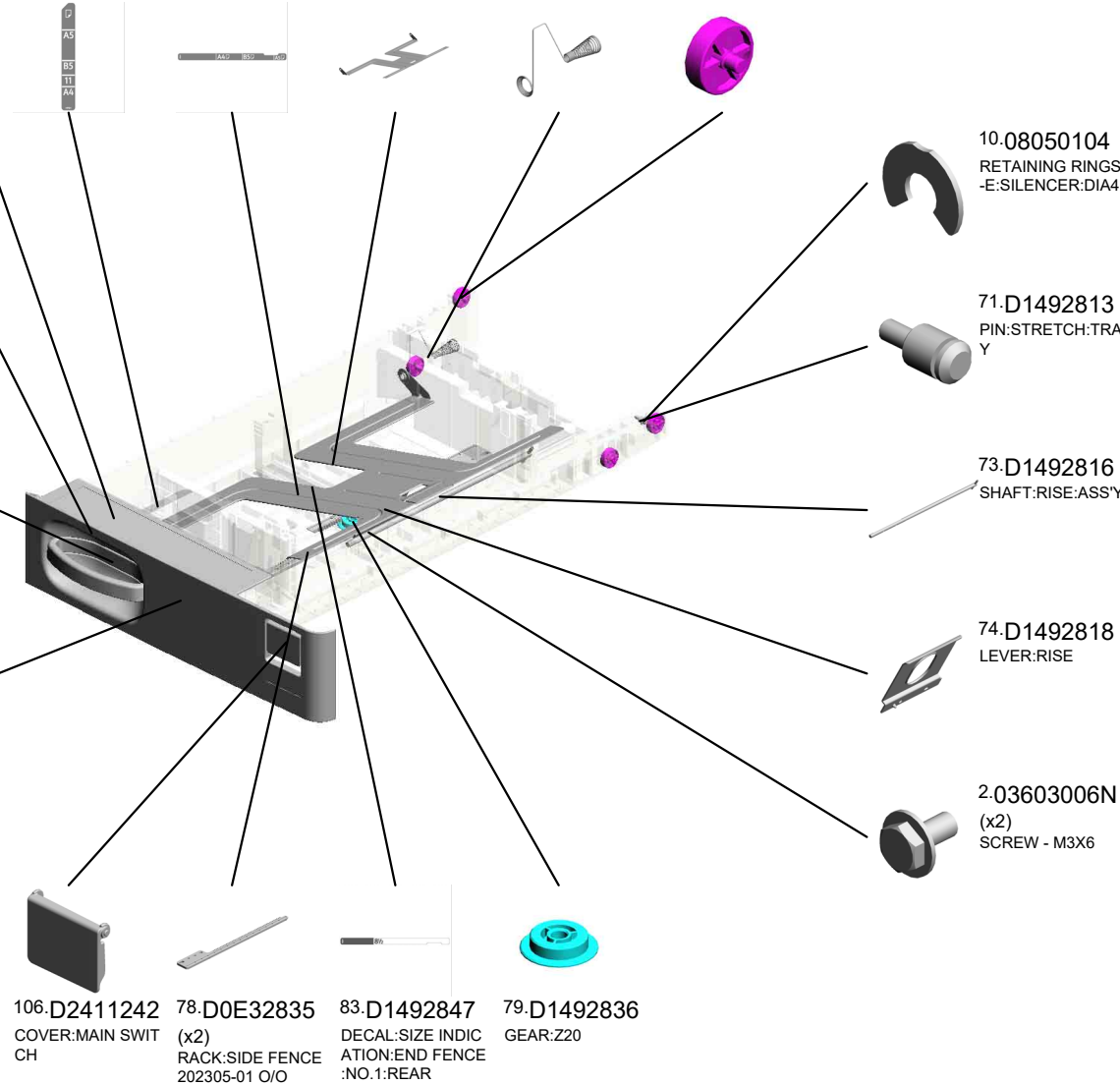
6.04583010N
(x2)
HEXAGON HEAD TAPPING SCREW:3X10



129.D2442856
GRIP:PAPER TRAY



121.D2412865
COVER:PAPER TRAY:NO.1



6.04583010N (x 7)
HEXAGON HEAD TAPPING SCREW:3X10

10.08050104
RETAINING RINGS
-E:SILENCER:DIA4



71.D1492813
PIN:STRETCH:TRAY



73.D1492816
SHAFT:RISE:ASS'Y



74.D1492818
LEVER:RISE



2.03603006N
(x2)
SCREW - M3X6

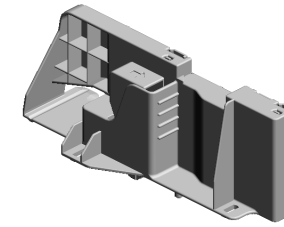


- 106.D2411242 COVER:MAIN SWITCH
- 78.D0E32835 (x2) RACK:SIDE FENCE 202305-01 O/O
- 83.D1492847 DECAL:SIZE INDICATION:END FENCE:NO.1:REAR
- 79.D1492836 GEAR:Z20

| | | | | | | | | | | | | | | | | | |
|------|------|------|------|------|------|------|------|------|------|------|------|------|------|------|------|------|------|
| U001 | U002 | U003 | U004 | U005 | U006 | U007 | U008 | U009 | U010 | U011 | U012 | U013 | U014 | U015 | U016 | U017 | U018 |
|------|------|------|------|------|------|------|------|------|------|------|------|------|------|------|------|------|------|

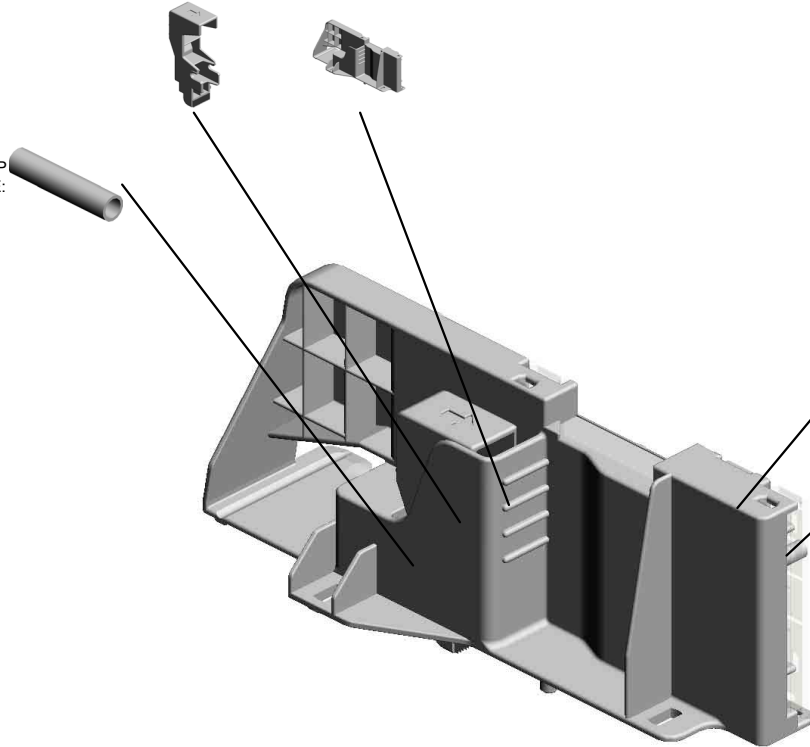
U005_S004_S001
SIDE FENCE:FRONT:NO.1:ASS'Y

75.D1492824 140.D0E32822
LEVER:STOPPER: FRONT SIDE FENCE:FRON
T:NO.1



36.D0BQ2828
SIDE FENCE:FRON
T:NO.1:ASS'Y

77.D1492827
COMPRESSION SP
RING:SIDE FENCE:
POSITIONING



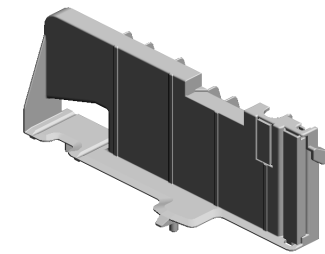
27.B2342864
PAD:CLEANER

76.D1492826
(x2)
COMPRESSION SP
RING:SIDE FENCE:
PLATE:FRONT

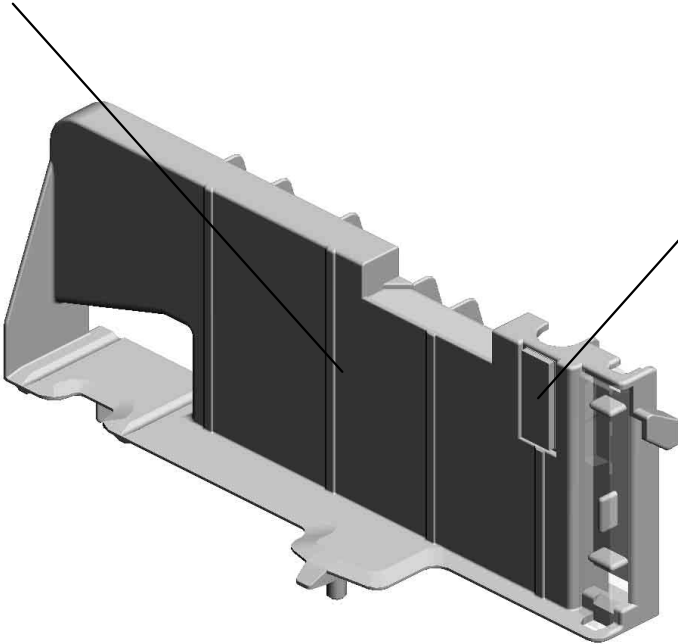
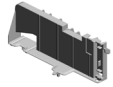
| | | | | | | | | | | | | | | | | | |
|------|------|------|------|------|------|------|------|------|------|------|------|------|------|------|------|------|------|
| U001 | U002 | U003 | U004 | U005 | U006 | U007 | U008 | U009 | U010 | U011 | U012 | U013 | U014 | U015 | U016 | U017 | U018 |
|------|------|------|------|------|------|------|------|------|------|------|------|------|------|------|------|------|------|

U005_S004_S002
SIDE FENCE:REAR:NO.1:ASS'Y

141.D0E32832
SIDE FENCE:REAR
:NO.1



37.D0BQ2838
SIDE FENCE:REAR
:NO.1:ASS'Y

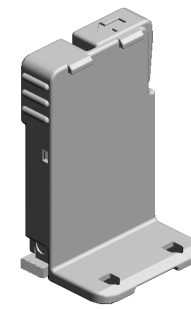


27.B2342864
PAD:CLEANER

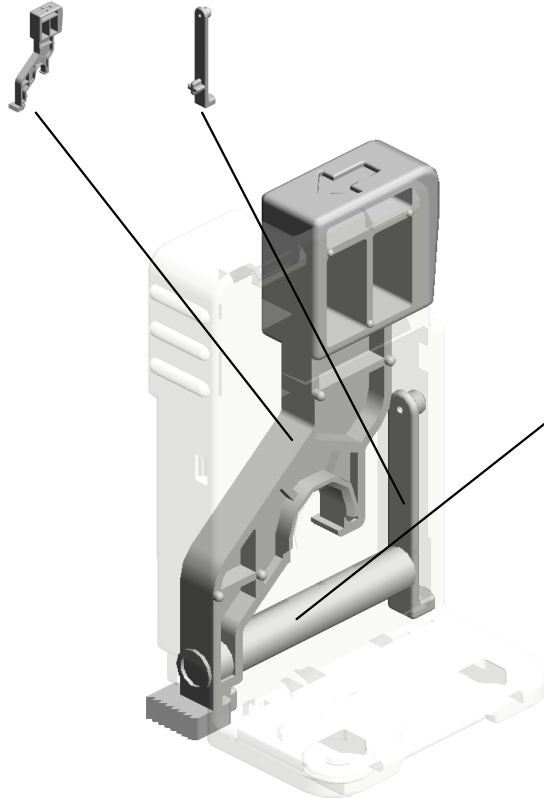
| | | | | | | | | | | | | | | | | | |
|------|------|------|------|-------------|------|------|------|------|------|------|------|------|------|------|------|------|------|
| U001 | U002 | U003 | U004 | U005 | U006 | U007 | U008 | U009 | U010 | U011 | U012 | U013 | U014 | U015 | U016 | U017 | U018 |
|------|------|------|------|-------------|------|------|------|------|------|------|------|------|------|------|------|------|------|

U005_S004_S003
END FENCE:PAPER TRAY:ASS'Y

80.D1492842 81.D1492843
LEVER:END FENC E CLICK:END FENCE



38.D0BQ2840
END FENCE:PAPE R TRAY:ASS'Y

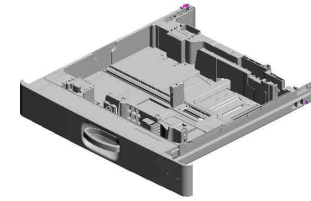


82.D1492845
COMPRESSION SP RING:END FENCE: LEVER:5N

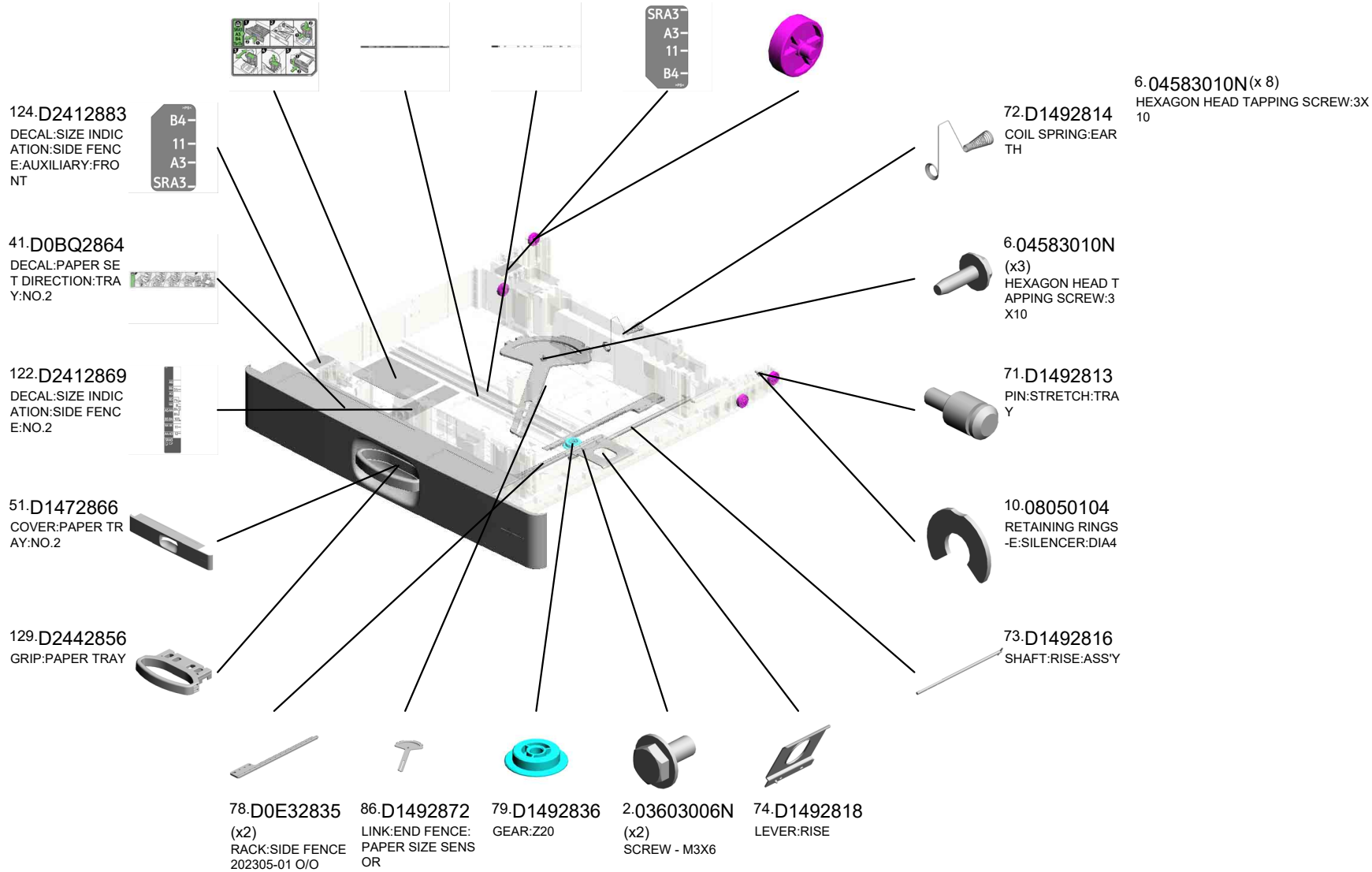
| | | | | | | | | | | | | | | | | | |
|------|------|------|------|-------------|------|------|------|------|------|------|------|------|------|------|------|------|------|
| U001 | U002 | U003 | U004 | U005 | U006 | U007 | U008 | U009 | U010 | U011 | U012 | U013 | U014 | U015 | U016 | U017 | U018 |
|------|------|------|------|-------------|------|------|------|------|------|------|------|------|------|------|------|------|------|

U005_S005
PAPER TRAY:NO.2:ASS'Y

- 120.D2412837 DECAL:SET:SIDE FENCE:AUXILIARY
- 84.D1492848 DECAL:SIZE INDICATION:END FENCE:NO.2:FRONT
- 85.D1492849 DECAL:SIZE INDICATION:END FENCE:NO.2:REAR
- 125.D2412884 DECAL:SIZE INDICATION:SIDE FENCE:AUXILIARY:REAR
- 70.D1492812 (x4) ROLLER:PAPER TRAY:DIA19

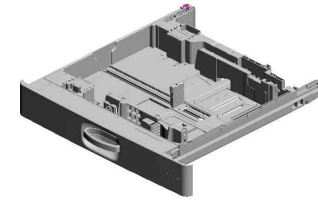


- 35.D0BQ2805 PAPER TRAY:NO.2:ASS'Y

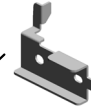
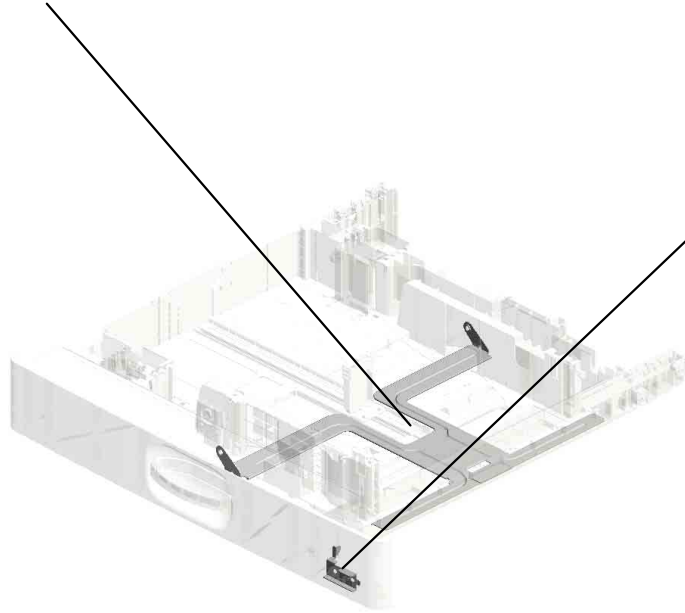


U005_S005
PAPER TRAY:NO.2:ASS'Y

134.D0BQ2873
TRAY BOTTOM PL
ATE:NO.2:ASS'Y



35.D0BQ2805
PAPER TRAY:NO.2
:ASS'Y

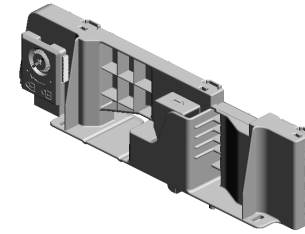


130.D6932867
SUPPORTING PLA
TE:COVER:FRONT:
PAPER TRAY

| | | | | | | | | | | | | | | | | | |
|------|------|------|------|------|------|------|------|------|------|------|------|------|------|------|------|------|------|
| U001 | U002 | U003 | U004 | U005 | U006 | U007 | U008 | U009 | U010 | U011 | U012 | U013 | U014 | U015 | U016 | U017 | U018 |
|------|------|------|------|------|------|------|------|------|------|------|------|------|------|------|------|------|------|

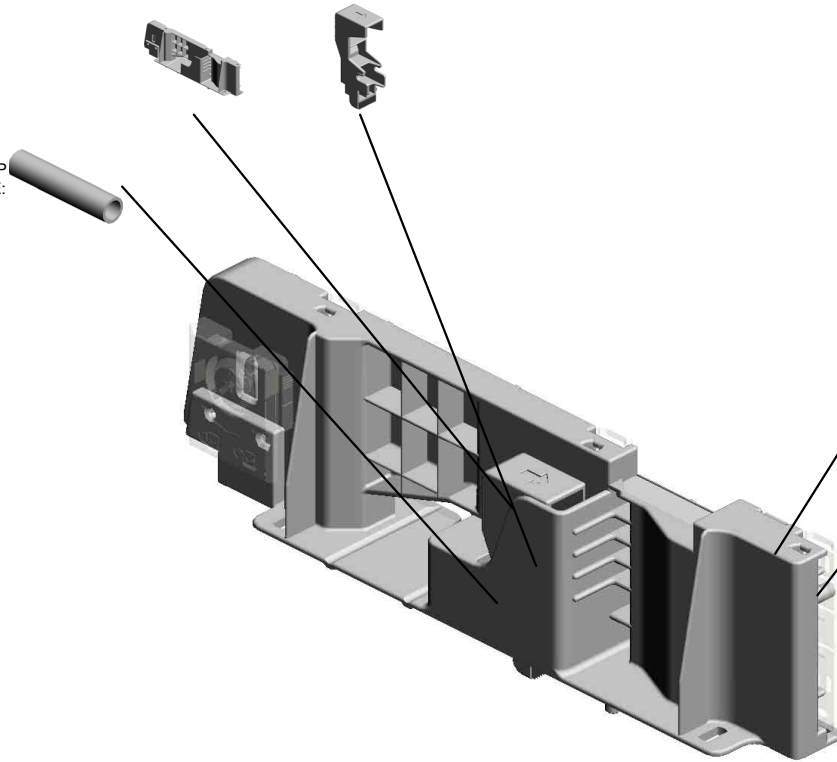
U005_S005_S001
SIDE FENCE:FRONT:ASS'Y

142.D0E32878 75.D1492824
SIDE FENCE:FRON LEVER:STOPPER:
T:UNIVERSAL:NO.2 FRONT



42.D0BQ2875
SIDE FENCE:FRON
T:ASSY

77.D1492827
COMPRESSION SP
RING:SIDE FENCE:
POSITIONING



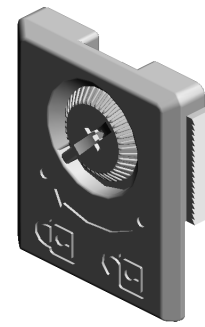
27.B2342864
PAD:CLEANER

76.D1492826
(x3)
COMPRESSION SP
RING:SIDE FENCE:
PLATE:FRONT

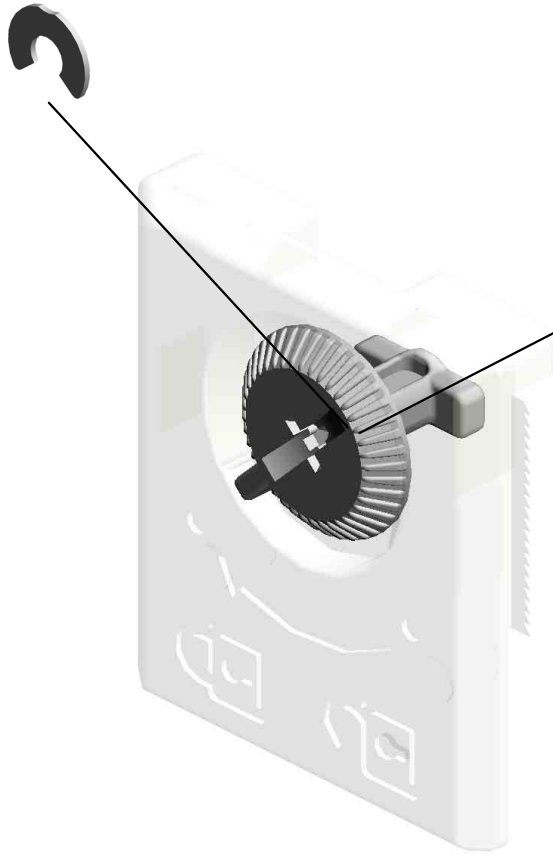
| | | | | | | | | | | | | | | | | | |
|------|------|------|------|------|------|------|------|------|------|------|------|------|------|------|------|------|------|
| U001 | U002 | U003 | U004 | U005 | U006 | U007 | U008 | U009 | U010 | U011 | U012 | U013 | U014 | U015 | U016 | U017 | U018 |
|------|------|------|------|------|------|------|------|------|------|------|------|------|------|------|------|------|------|

U005_S005_S001_S001
STAY:END FENCE:ASS'Y

10.08050104
RETAINING RINGS
-E:SILENCER:DIA4



136.D0BQ2966
STAY:END FENCE:
ASS'Y

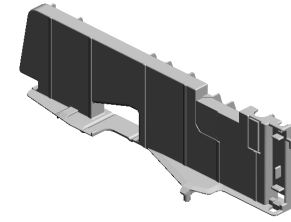


45.D0BQ2967
KNOB SCREW:STA
Y:END FENCE

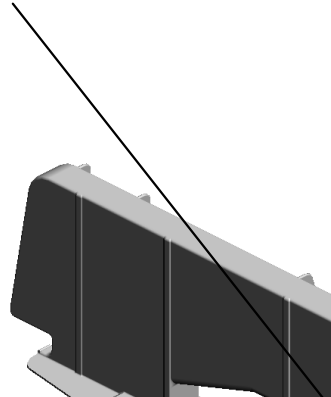
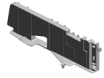
| | | | | | | | | | | | | | | | | | |
|------|------|------|------|-------------|------|------|------|------|------|------|------|------|------|------|------|------|------|
| U001 | U002 | U003 | U004 | U005 | U006 | U007 | U008 | U009 | U010 | U011 | U012 | U013 | U014 | U015 | U016 | U017 | U018 |
|------|------|------|------|-------------|------|------|------|------|------|------|------|------|------|------|------|------|------|

U005_S005_S002
SIDE FENCE:REAR:SUB-ASS'Y

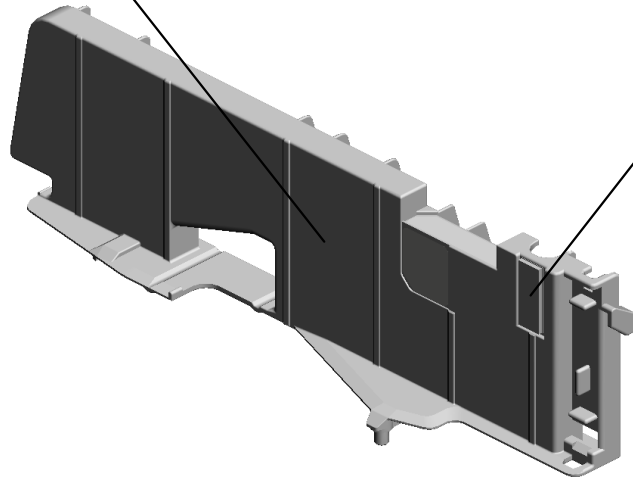
143.D0E32879
SIDE FENCE:REAR
:UNIVERSAL:NO.2



43.D0BQ2881
SIDE FENCE:REAR
:SUB-ASS'Y



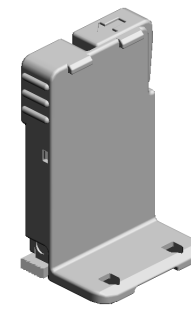
27.B2342864
PAD:CLEANER



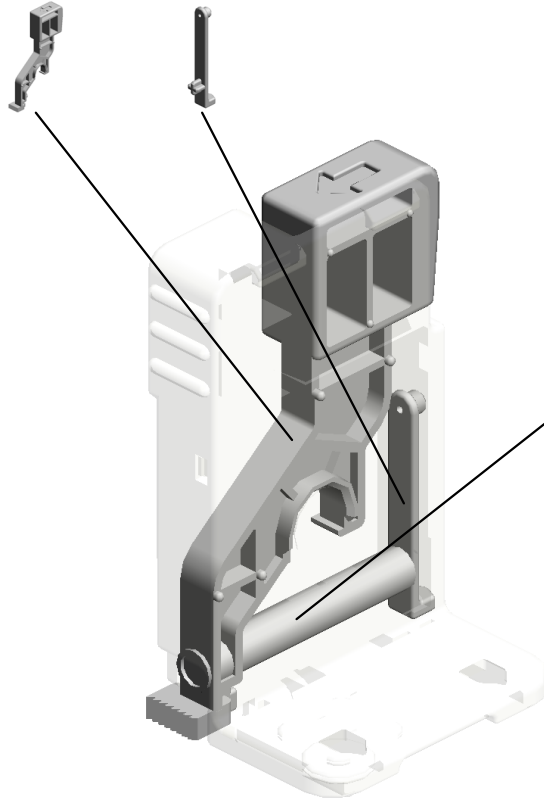
| | | | | | | | | | | | | | | | | | |
|------|------|------|------|-------------|------|------|------|------|------|------|------|------|------|------|------|------|------|
| U001 | U002 | U003 | U004 | U005 | U006 | U007 | U008 | U009 | U010 | U011 | U012 | U013 | U014 | U015 | U016 | U017 | U018 |
|------|------|------|------|-------------|------|------|------|------|------|------|------|------|------|------|------|------|------|

U005_S005_S003
END FENCE:PAPER TRAY:ASS'Y

80.D1492842 81.D1492843
LEVER:END FENC CLICK:END FENCE
E



38.D0BQ2840
END FENCE:PAPE
R TRAY:ASS'Y

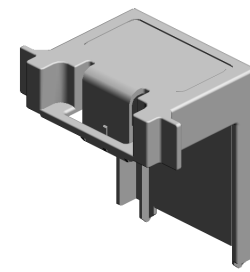
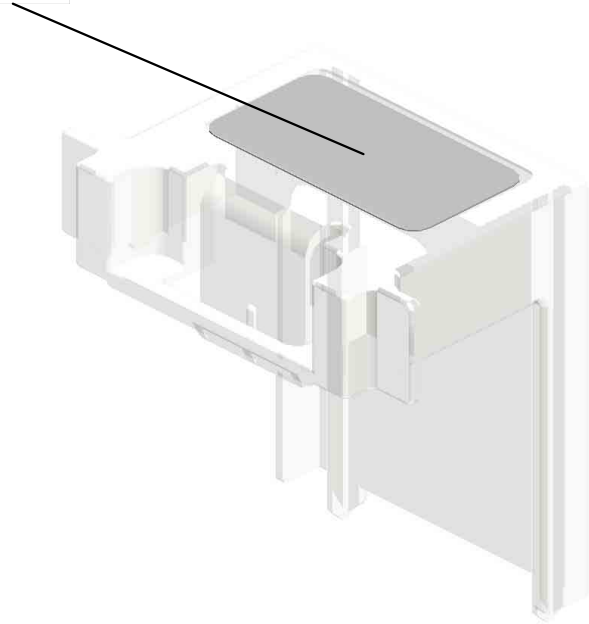


82.D1492845
COMPRESSION SP
RING:END FENCE:
LEVER:5N

| | | | | | | | | | | | | | | | | | |
|------|------|------|------|------|------|------|------|------|------|------|------|------|------|------|------|------|------|
| U001 | U002 | U003 | U004 | U005 | U006 | U007 | U008 | U009 | U010 | U011 | U012 | U013 | U014 | U015 | U016 | U017 | U018 |
|------|------|------|------|------|------|------|------|------|------|------|------|------|------|------|------|------|------|

U005_S005_S004
SIDE FENCE:AUXILIARY

126.D2412885
DECAL:SIDE FENC
E:AUXILIARY

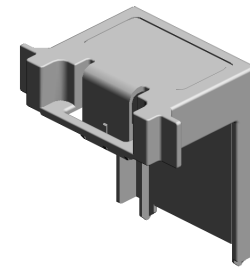
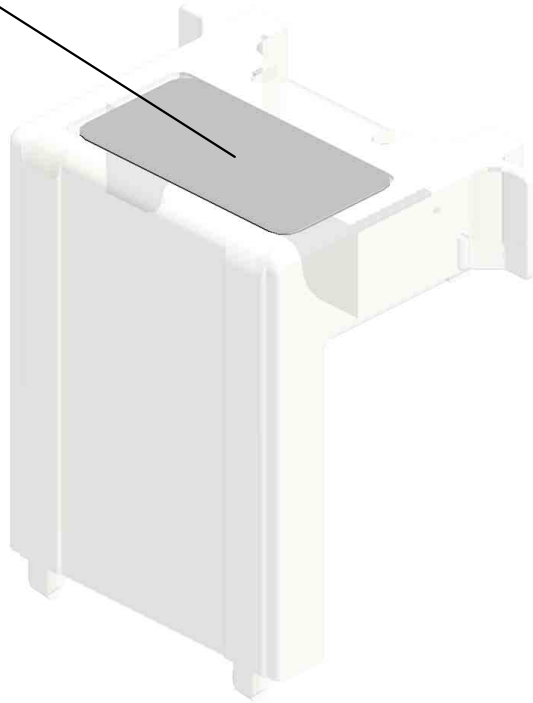


123.D2412873
SIDE FENCE:AUXIL
IARY

| | | | | | | | | | | | | | | | | | |
|------|------|------|------|------|------|------|------|------|------|------|------|------|------|------|------|------|------|
| U001 | U002 | U003 | U004 | U005 | U006 | U007 | U008 | U009 | U010 | U011 | U012 | U013 | U014 | U015 | U016 | U017 | U018 |
|------|------|------|------|------|------|------|------|------|------|------|------|------|------|------|------|------|------|

U005_S005_S005
SIDE FENCE:AUXILIARY

126.D2412885
DECAL:SIDE FENC
E:AUXILIARY



123.D2412873
SIDE FENCE:AUXIL
IARY

| | | | | | | | | | | | | | | | | | |
|------|------|------|------|------|------|------|------|------|------|------|------|------|------|------|------|------|------|
| U001 | U002 | U003 | U004 | U005 | U006 | U007 | U008 | U009 | U010 | U011 | U012 | U013 | U014 | U015 | U016 | U017 | U018 |
|------|------|------|------|------|------|------|------|------|------|------|------|------|------|------|------|------|------|

U005_S006
SUPPORTER:RIGHT:NO.1:ASS'Y

3.04543006Q
(x3)
TAPPING SCREW -
M3X6



92.D1492905
SUPPORTER:RIGHT:
T:NO.1:ASS'Y

95.D1492924
STOPPER:PAPER
TRAY



99.D1492956
ROLLER:SUPPORT
ER:PAPER TRAY



9.08050103
RETAINING RINGS
-E:SILENCER:DIA3



| | | | | | | | | | | | | | | | | | |
|------|------|------|------|-------------|------|------|------|------|------|------|------|------|------|------|------|------|------|
| U001 | U002 | U003 | U004 | U005 | U006 | U007 | U008 | U009 | U010 | U011 | U012 | U013 | U014 | U015 | U016 | U017 | U018 |
|------|------|------|------|-------------|------|------|------|------|------|------|------|------|------|------|------|------|------|

U005_S007
SUPPORTER:RIGHT:NO.2:ASS'Y

95.D1492924
STOPPER:PAPER
TRAY

91.D1492903
SUPPORTER:RIGHT:
T:NO.2:ASSY

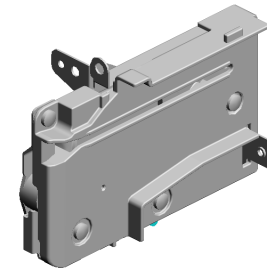
3.04543006Q
(x3)
TAPPING SCREW -
M3X6

94.D1492923
ROLLER:SUPPORT
ER:PAPER TRAY

9.08050103
RETAINING RINGS
-E:SILENCER:DIA3

| | | | | | | | | | | | | | | | | | |
|------|------|------|------|------|------|------|------|------|------|------|------|------|------|------|------|------|------|
| U001 | U002 | U003 | U004 | U005 | U006 | U007 | U008 | U009 | U010 | U011 | U012 | U013 | U014 | U015 | U016 | U017 | U018 |
|------|------|------|------|------|------|------|------|------|------|------|------|------|------|------|------|------|------|

U005_S008
LEVER:STRETCH:PAPER TRAY:ASS'Y



127.D2412906
LEVER:STRETCH:
PAPER TRAY:ASS'
Y

1.03530040N
(x5)
SCREW - M3X4

~~128.D2412943
TENSION SPRING:
LEVER:AUXILIARY
201902-09~~

~~102.D1492964
LEVER:LOCK:PAW
L
201902-07~~

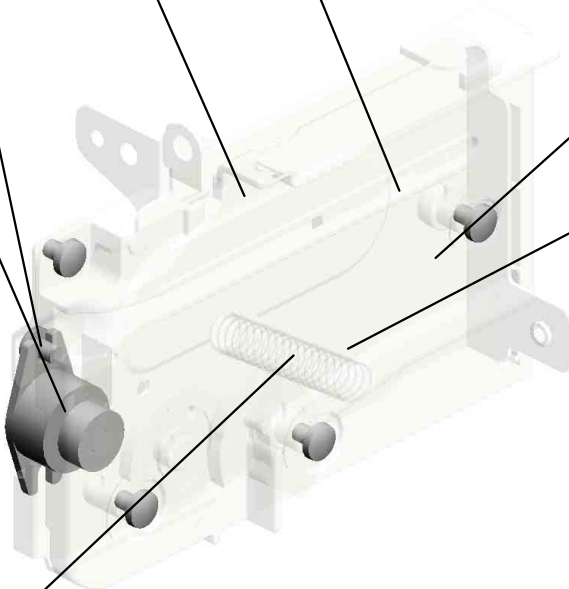


144.D0E32945
OIL DAMPER:30MN



~~103.D1492965
LEVER:STRETCH:
COIL SPRING
201902-08~~

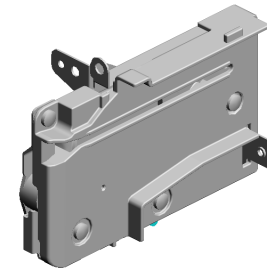
~~101.D1492961
LEVER:STRETCH:
PEEN
201902-06~~



~~55.D1482942
TENSION SPRING:
LEVER
201902-05~~

| | | | | | | | | | | | | | | | | | |
|------|------|------|------|------|------|------|------|------|------|------|------|------|------|------|------|------|------|
| U001 | U002 | U003 | U004 | U005 | U006 | U007 | U008 | U009 | U010 | U011 | U012 | U013 | U014 | U015 | U016 | U017 | U018 |
|------|------|------|------|------|------|------|------|------|------|------|------|------|------|------|------|------|------|

U005_S009
LEVER:STRETCH:PAPER TRAY:ASS'Y



127.D2412906
LEVER:STRETCH:
PAPER TRAY:ASS'
Y

1.03530040N
(x5)
SCREW - M3X4

~~128.D2412943
TENSION SPRING:
LEVER:AUXILIARY
201902-09~~

~~102.D1492964
LEVER:LOCK:PAW
L
201902-07~~

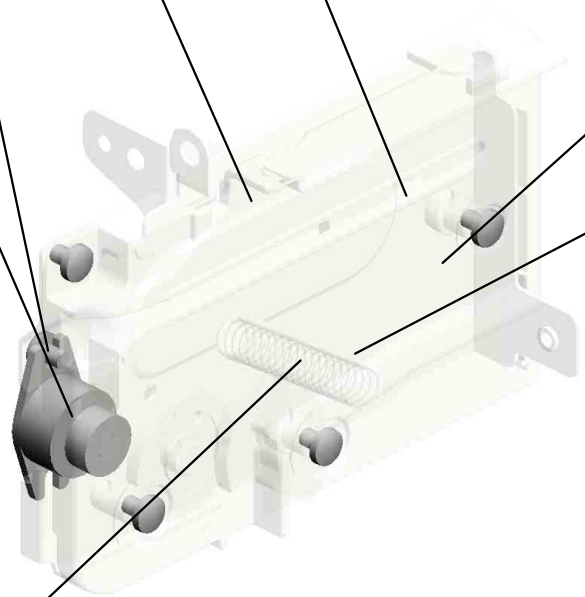


144.D0E32945
OIL DAMPER:30MN



~~103.D1492965
LEVER:STRETCH:
COIL SPRING
201902-08~~

~~101.D1492961
LEVER:STRETCH:
PEEN
201902-06~~



~~55.D1482942
TENSION SPRING:
LEVER
201902-05~~

| | | | | | | | | | | | | | | | | | |
|------|------|------|------|------|------|------|------|------|------|------|------|------|------|------|------|------|------|
| U001 | U002 | U003 | U004 | U005 | U006 | U007 | U008 | U009 | U010 | U011 | U012 | U013 | U014 | U015 | U016 | U017 | U018 |
|------|------|------|------|------|------|------|------|------|------|------|------|------|------|------|------|------|------|

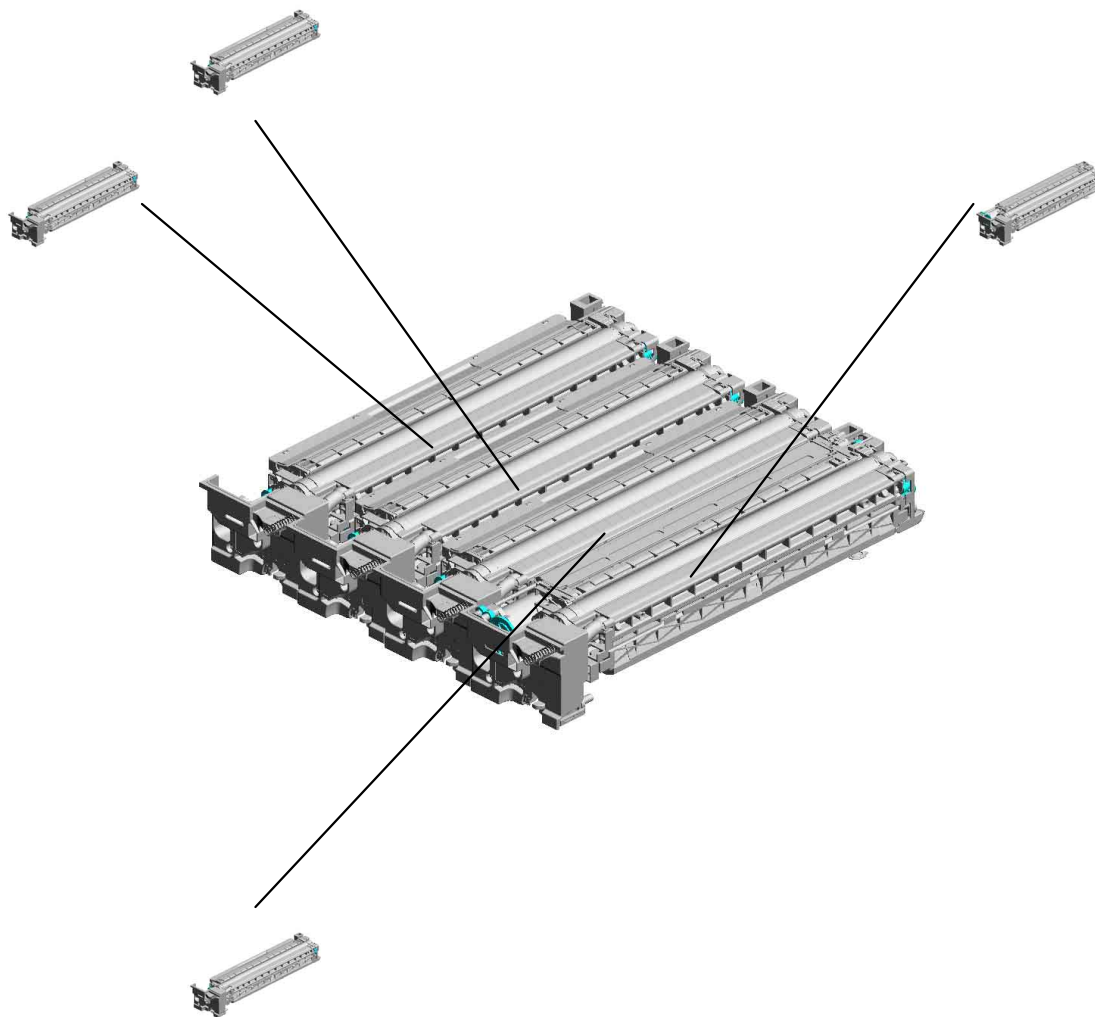
U006.PCDU

U006 S002
D0BM2222
PCDU:M:IMC3000-3500

U006 S003
D0BM2223
PCDU:Y:IMC3000-3500

U006 S004
D0BN2240
(EU/CHN/TWN/AA/KOR):PCD
U:K:IMC3000-6000

U006 S001
D0BM2221
PCDU:C:IMC3000-3500

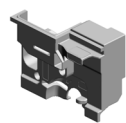


| | | | | | | | | | | | | | | | | | |
|------|------|------|------|------|-------------|------|------|------|------|------|------|------|------|------|------|------|------|
| U001 | U002 | U003 | U004 | U005 | U006 | U007 | U008 | U009 | U010 | U011 | U012 | U013 | U014 | U015 | U016 | U017 | U018 |
|------|------|------|------|------|-------------|------|------|------|------|------|------|------|------|------|------|------|------|

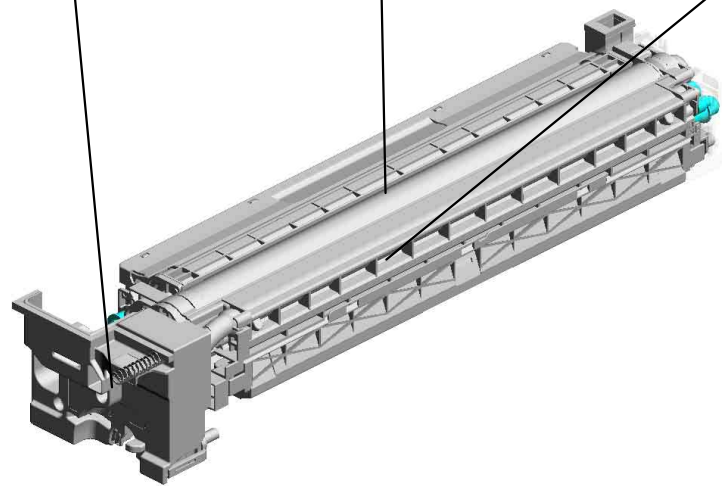
U006_S001.PCDU:C:IMC3000-3500

U006 S001 S001
D0BQ2389
COVER:PCU:FRONT:SUB-AS
SY

U006 S001 S003
D0BM3001
DEVELOPMENT UNIT:C:IMC3
000-3500



U006 S001 S002
D0BM2216
PCU:CMY:IMC3000-3500

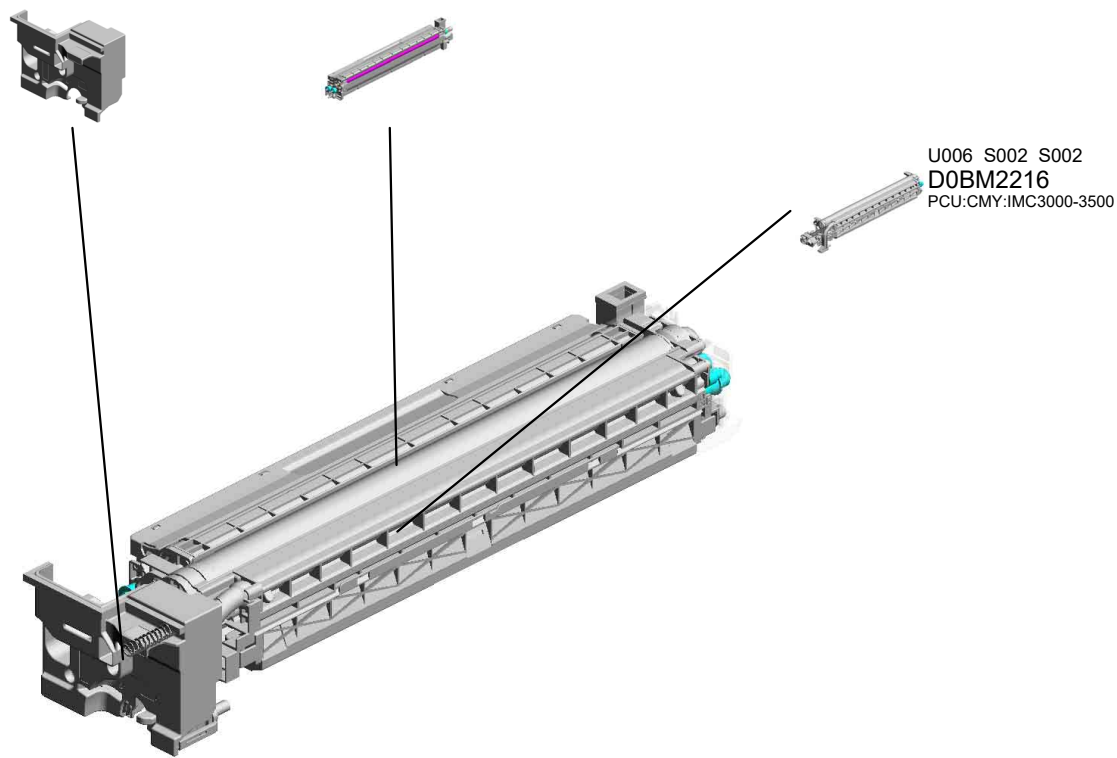


| | | | | | | | | | | | | | | | | | |
|------|------|------|------|------|-------------|------|------|------|------|------|------|------|------|------|------|------|------|
| U001 | U002 | U003 | U004 | U005 | U006 | U007 | U008 | U009 | U010 | U011 | U012 | U013 | U014 | U015 | U016 | U017 | U018 |
|------|------|------|------|------|-------------|------|------|------|------|------|------|------|------|------|------|------|------|

U006_S002.PCDU:M:IMC3000-3500

U006 S002 S001
D0BQ2389
COVER:PCU:FRONT:SUB-AS
SY

U006 S002 S003
D0BM3002
DEVELOPMENT UNIT:M:IMC
3000-3500

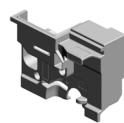


| | | | | | | | | | | | | | | | | | |
|------|------|------|------|------|-------------|------|------|------|------|------|------|------|------|------|------|------|------|
| U001 | U002 | U003 | U004 | U005 | U006 | U007 | U008 | U009 | U010 | U011 | U012 | U013 | U014 | U015 | U016 | U017 | U018 |
|------|------|------|------|------|-------------|------|------|------|------|------|------|------|------|------|------|------|------|

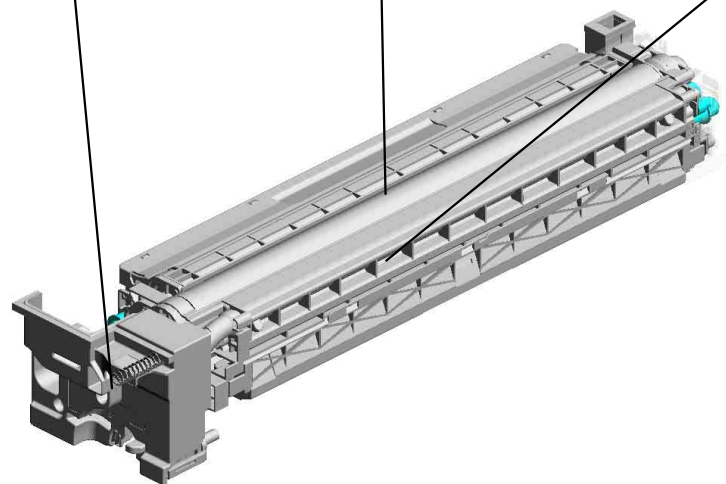
U006_S003.PCDU:Y:IMC3000-3500

U006 S003 S001
D0BQ2389
COVER:PCU:FRONT:SUB-AS
SY

U006 S003 S003
D0BM3003
DEVELOPMENT UNIT:Y:IMC3
000-3500



U006 S003 S002
D0BM2216
PCU:CMY:IMC3000-3500

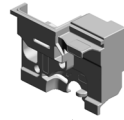


| | | | | | | | | | | | | | | | | | |
|------|------|------|------|------|-------------|------|------|------|------|------|------|------|------|------|------|------|------|
| U001 | U002 | U003 | U004 | U005 | U006 | U007 | U008 | U009 | U010 | U011 | U012 | U013 | U014 | U015 | U016 | U017 | U018 |
|------|------|------|------|------|-------------|------|------|------|------|------|------|------|------|------|------|------|------|

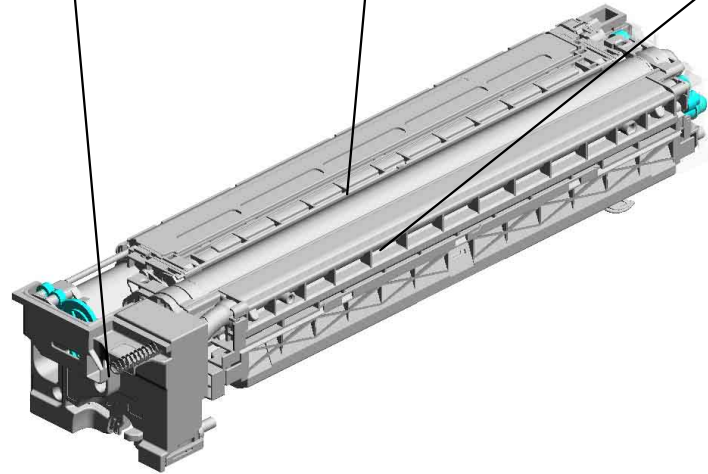
U006_S004.(EU/CHN/TWN/AA/KOR):PCDU:K:IMC3000-6000

U006 S004 S001
D0BQ2389
COVER:PCU:FRONT:SUB-AS
SY

U006 S004 S003
D0BQ3000
(EU/CHN/TWN/AA/KOR):DEV
ELOPMENT UNIT:K:IMC3000-
6000

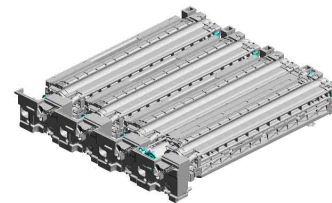


U006 S004 S002
D0BM2215
(EU/CHN/TWN/AA/KOR):PCU:
K:IMC3000-6000



| | | | | | | | | | | | | | | | | | |
|------|------|------|------|------|-------------|------|------|------|------|------|------|------|------|------|------|------|------|
| U001 | U002 | U003 | U004 | U005 | U006 | U007 | U008 | U009 | U010 | U011 | U012 | U013 | U014 | U015 | U016 | U017 | U018 |
|------|------|------|------|------|-------------|------|------|------|------|------|------|------|------|------|------|------|------|

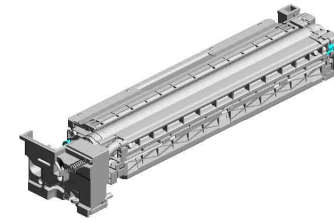
U006
PCDU



| | | | | | | | | | | | | | | | | | |
|------|------|------|------|------|------|------|------|------|------|------|------|------|------|------|------|------|------|
| U001 | U002 | U003 | U004 | U005 | U006 | U007 | U008 | U009 | U010 | U011 | U012 | U013 | U014 | U015 | U016 | U017 | U018 |
|------|------|------|------|------|------|------|------|------|------|------|------|------|------|------|------|------|------|

U006_S001
PCDU:C:IMC3000-3500

27.GA003996
DECAL:DESIGN SK
ETCH:CYAN

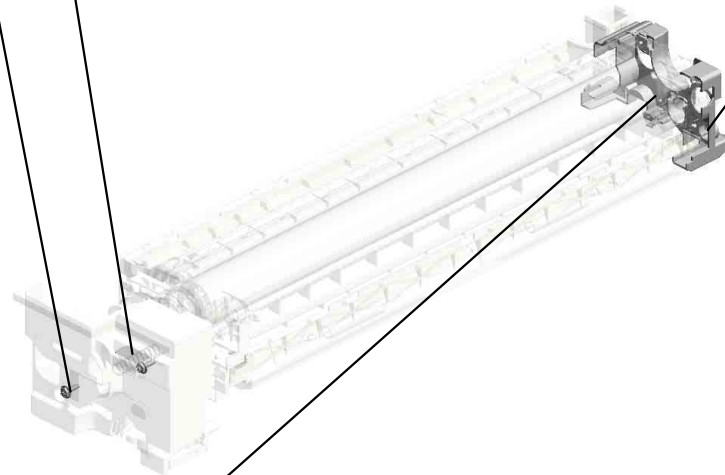


10.D0BM2221
[A]
PCDU:C:IMC3000-3
500
202206-04 O/O

3.04583010N
(x2)
HEXAGON HEAD TAPPING SCREW:3X10



5.04593010N
BINDING HEAD TAPPING SCREW:3X10



24.D0BM3492
COVER:PCU:REAR
:ASSY

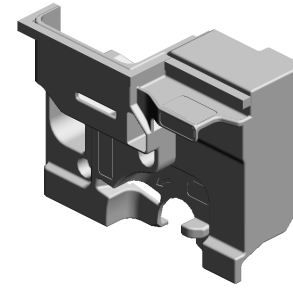


D0BM221
[A]
PCDU:C:IMC3000-3
500
202206-04 O/O

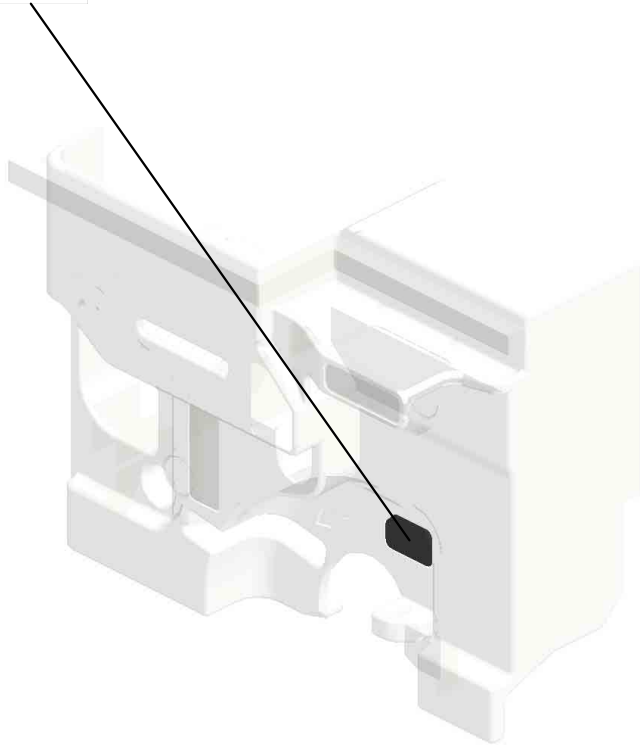
| | | | | | | | | | | | | | | | | | |
|------|------|------|------|------|-------------|------|------|------|------|------|------|------|------|------|------|------|------|
| U001 | U002 | U003 | U004 | U005 | U006 | U007 | U008 | U009 | U010 | U011 | U012 | U013 | U014 | U015 | U016 | U017 | U018 |
|------|------|------|------|------|-------------|------|------|------|------|------|------|------|------|------|------|------|------|

U006_S001_S001
COVER:PCU:FRONT:SUB-ASS'Y

20.GA003993
DECAL:LEVER:FIX



31.D0BQ2389
COVER:PCU:FRON
T:SUB-ASS'Y



| | | | | | | | | | | | | | | | | | |
|------|------|------|------|------|-------------|------|------|------|------|------|------|------|------|------|------|------|------|
| U001 | U002 | U003 | U004 | U005 | U006 | U007 | U008 | U009 | U010 | U011 | U012 | U013 | U014 | U015 | U016 | U017 | U018 |
|------|------|------|------|------|-------------|------|------|------|------|------|------|------|------|------|------|------|------|

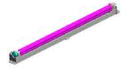
U006_S001_S002
PCU:CMY:IMC3000-3500

25.D0BQ2071
CHARGE UNIT:ASS
Y
201911-01 O/O

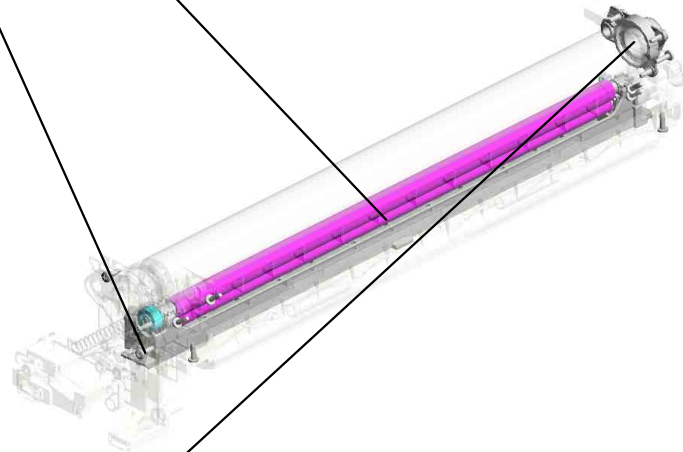


14.D0BM2216
PCU:CMY:IMC3000
-3500

5.04593010N
(x15)
BINDING HEAD TA
PPING SCREW:3X
10



6.07200030E
RETAINING RING -
M3



37.D0BM2496
DRUM STAY:REAR



| | | | | | | | | | | | | | | | | | |
|------|------|------|------|------|-------------|------|------|------|------|------|------|------|------|------|------|------|------|
| U001 | U002 | U003 | U004 | U005 | U006 | U007 | U008 | U009 | U010 | U011 | U012 | U013 | U014 | U015 | U016 | U017 | U018 |
|------|------|------|------|------|-------------|------|------|------|------|------|------|------|------|------|------|------|------|

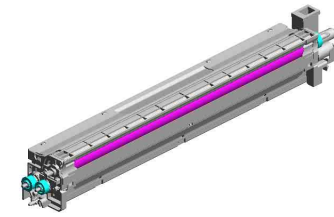
U006_S001_S003

DEVELOPMENT UNIT:C:IMC3000-3500

39.D1493108
SEAL:TONER SUP
PLY:ENTRANCE

38.D1473470
GUIDE:TONER SU
PPLY

5.04593010N
(x2)
BINDING HEAD TA
PPING SCREW:3X
10

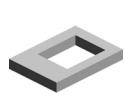


15.D0BM3001
DEVELOPMENT U
NIT:C:IMC3000-350
0

7.07200040E
RETAINING RING -
M4



6.07200030E
(x4)
RETAINING RING -
M3



8.08050100
RETAINING RING -
M2.5



34.D1473468
JOINT:DEVELOPM
ENT



36.D1493071
GEAR:DEVELOPM
ENT ROLLER



1.03603006N
(x2)
SCREW - M3X6



35.D1473469
JOINT:IDLER:DEVE
LOPMENT

| | | | | | | | | | | | | | | | | | |
|------|------|------|------|------|-------------|------|------|------|------|------|------|------|------|------|------|------|------|
| U001 | U002 | U003 | U004 | U005 | U006 | U007 | U008 | U009 | U010 | U011 | U012 | U013 | U014 | U015 | U016 | U017 | U018 |
|------|------|------|------|------|-------------|------|------|------|------|------|------|------|------|------|------|------|------|

U006_S002

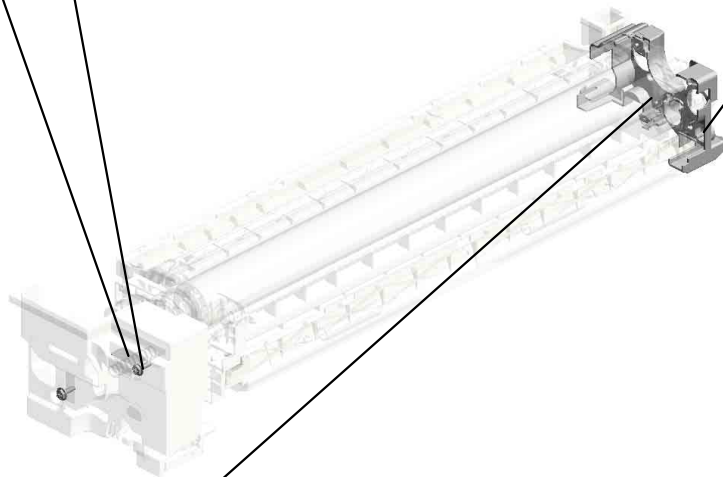
PCDU:M:IMC3000-3500

3.04583010N

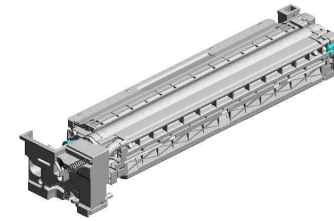
(x2)
HEXAGON HEAD TAPPING SCREW:3X10



28.GA003997
DECAL:DESIGN SKETCH:ETCH:MAGENTA



5.04593010N
BINDING HEAD TAPPING SCREW:3X10



11.D0BM2222

[A]
PCDU:M:IMC3000-3500
202206-03 O/O



D0BM2212

[A]
PCDU:M:IMC3000-3500
202206-03 O/O

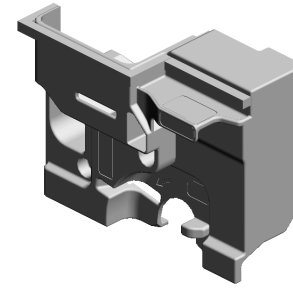
24.D0BM3492
COVER:PCU:REAR:ASSY



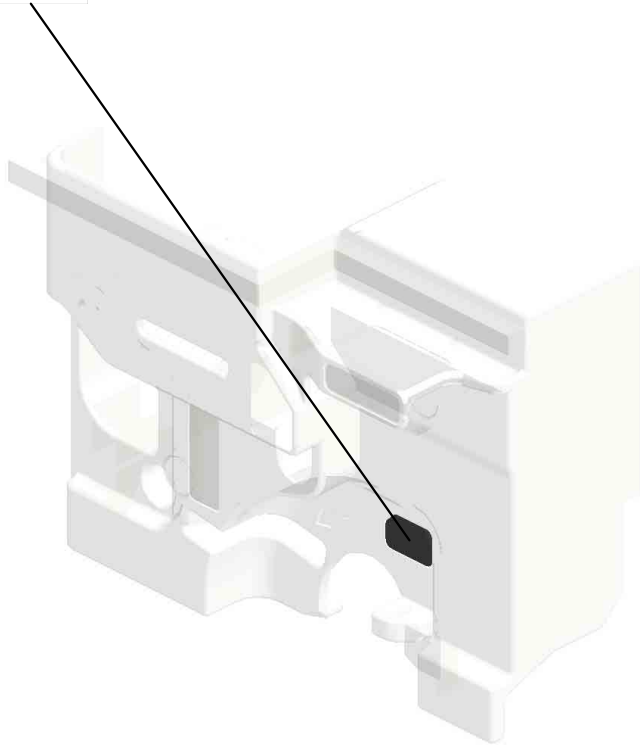
| | | | | | | | | | | | | | | | | | |
|------|------|------|------|------|-------------|------|------|------|------|------|------|------|------|------|------|------|------|
| U001 | U002 | U003 | U004 | U005 | U006 | U007 | U008 | U009 | U010 | U011 | U012 | U013 | U014 | U015 | U016 | U017 | U018 |
|------|------|------|------|------|-------------|------|------|------|------|------|------|------|------|------|------|------|------|

U006_S002_S001
COVER:PCU:FRONT:SUB-ASS'Y

20.GA003993
DECAL:LEVER:FIX



31.D0BQ2389
COVER:PCU:FRON
T:SUB-ASS'Y



| | | | | | | | | | | | | | | | | | |
|------|------|------|------|------|-------------|------|------|------|------|------|------|------|------|------|------|------|------|
| U001 | U002 | U003 | U004 | U005 | U006 | U007 | U008 | U009 | U010 | U011 | U012 | U013 | U014 | U015 | U016 | U017 | U018 |
|------|------|------|------|------|-------------|------|------|------|------|------|------|------|------|------|------|------|------|

U006_S002_S002
PCU:CMY:IMC3000-3500

25.D0BQ2071
CHARGE UNIT:ASS
Y
201911-01 O/O

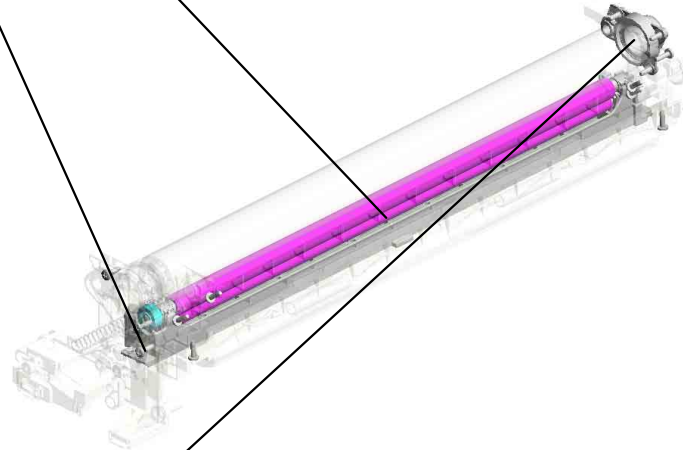


14.D0BM2216
PCU:CMY:IMC3000
-3500

5.04593010N
(x15)
BINDING HEAD TA
PPING SCREW:3X
10



6.07200030E
RETAINING RING -
M3

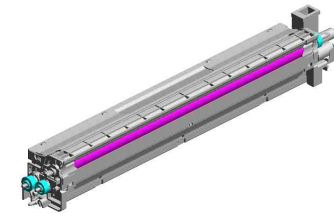


37.D0BM2496
DRUM STAY:REAR



| | | | | | | | | | | | | | | | | | |
|------|------|------|------|------|-------------|------|------|------|------|------|------|------|------|------|------|------|------|
| U001 | U002 | U003 | U004 | U005 | U006 | U007 | U008 | U009 | U010 | U011 | U012 | U013 | U014 | U015 | U016 | U017 | U018 |
|------|------|------|------|------|-------------|------|------|------|------|------|------|------|------|------|------|------|------|

39.D1493108 SEAL:TONER SUPPLY:ENTRANCE
 38.D1473470 GUIDE:TONER SUPPLY
 36.D1493071 GEAR:DEVELOPMENT ROLLER

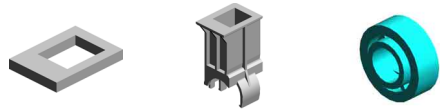


16.D0BM3002 DEVELOPMENT UNIT:M:IMC3000-3500

7.07200040E RETAINING RING - M4



6.07200030E (x4) RETAINING RING - M3



8.08050100 RETAINING RING - M2.5



34.D1473468 JOINT:DEVELOPMENT



35.D1473469 JOINT:IDLER:DEVELOPMENT



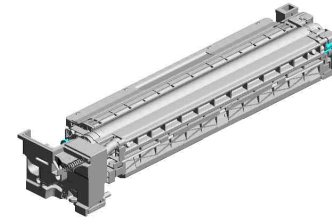
1.03603006N (x2) SCREW - M3X6



5.04593010N (x2) BINDING HEAD TAPPING SCREW:3X10

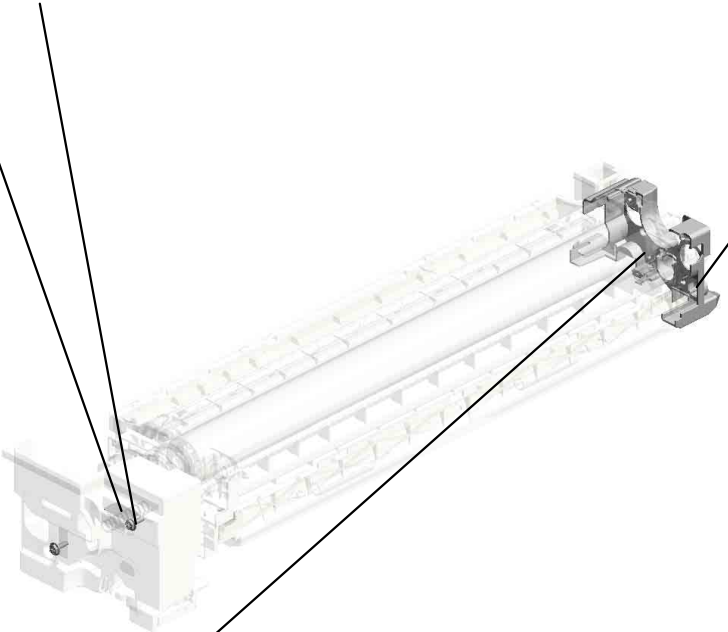
U006_S003
PCDU:Y:IMC3000-3500

3.04583010N
(x2)
HEXAGON HEAD TAPPING SCREW:3X10



12.D0BM2223
[A]
PCDU:Y:IMC3000-3500
202206-02 O/O

29.GA003998
DECAL:DESIGN SKETCH:ETCH:YELLOW



5.04593010N
BINDING HEAD TAPPING SCREW:3X10



12.D0BM2213
[A]
PCDU:Y:IMC3000-3500
202206-02 O/O

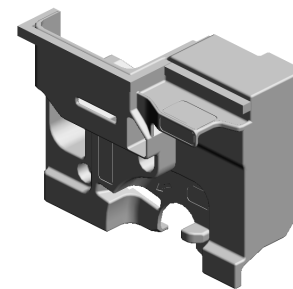
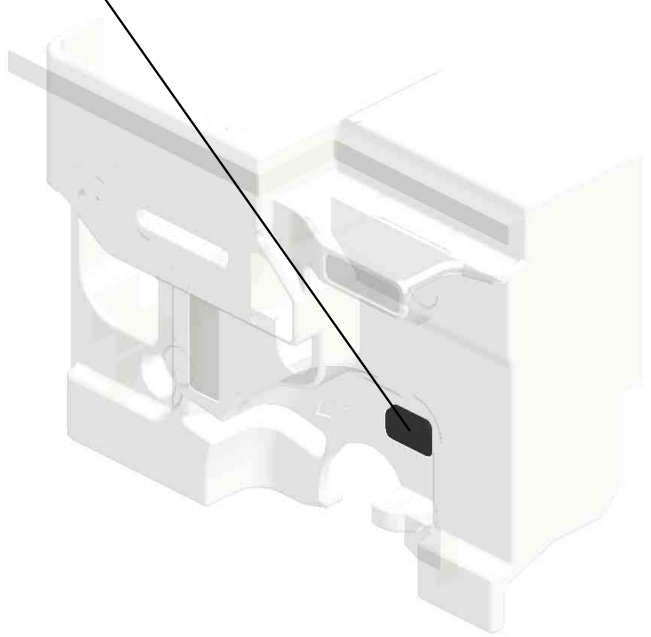


24.D0BM3492
COVER:PCU:REAR:ASSY

| | | | | | | | | | | | | | | | | | |
|------|------|------|------|------|-------------|------|------|------|------|------|------|------|------|------|------|------|------|
| U001 | U002 | U003 | U004 | U005 | U006 | U007 | U008 | U009 | U010 | U011 | U012 | U013 | U014 | U015 | U016 | U017 | U018 |
|------|------|------|------|------|-------------|------|------|------|------|------|------|------|------|------|------|------|------|

U006_S003_S001
COVER:PCU:FRONT:SUB-ASS'Y

20.GA003993
DECAL:LEVER:FIX



31.D0BQ2389
COVER:PCU:FRON
T:SUB-ASS'Y

| | | | | | | | | | | | | | | | | | |
|------|------|------|------|------|-------------|------|------|------|------|------|------|------|------|------|------|------|------|
| U001 | U002 | U003 | U004 | U005 | U006 | U007 | U008 | U009 | U010 | U011 | U012 | U013 | U014 | U015 | U016 | U017 | U018 |
|------|------|------|------|------|-------------|------|------|------|------|------|------|------|------|------|------|------|------|

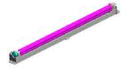
U006_S003_S002
PCU:CMY:IMC3000-3500

25.D0BQ2071
CHARGE UNIT:ASS
Y
201911-01 O/O

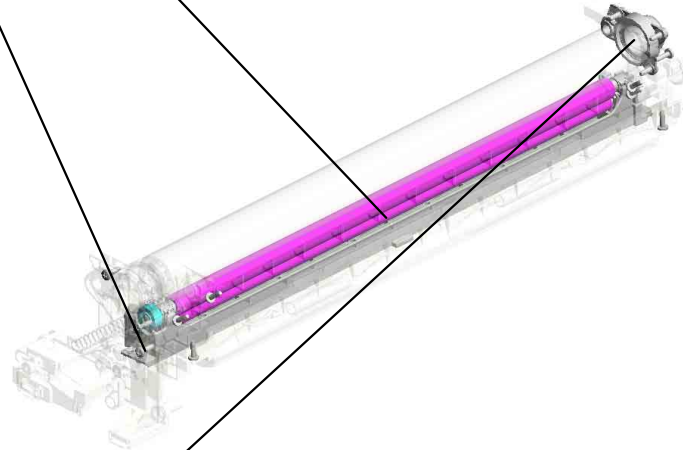


14.D0BM2216
PCU:CMY:IMC3000
-3500

5.04593010N
(x15)
BINDING HEAD TA
PPING SCREW:3X
10



6.07200030E
RETAINING RING -
M3



37.D0BM2496
DRUM STAY:REAR



| | | | | | | | | | | | | | | | | | |
|------|------|------|------|------|-------------|------|------|------|------|------|------|------|------|------|------|------|------|
| U001 | U002 | U003 | U004 | U005 | U006 | U007 | U008 | U009 | U010 | U011 | U012 | U013 | U014 | U015 | U016 | U017 | U018 |
|------|------|------|------|------|-------------|------|------|------|------|------|------|------|------|------|------|------|------|

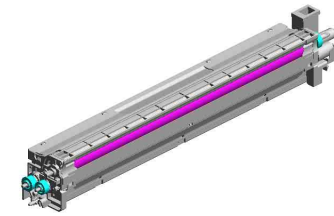
U006_S003_S003

DEVELOPMENT UNIT:Y:IMC3000-3500

39.D1493108
SEAL:TONER SUP
PLY:ENTRANCE

38.D1473470
GUIDE:TONER SU
PPLY

36.D1493071
GEAR:DEVELOPM
ENT ROLLER

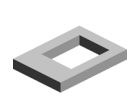


17.D0BM3003
DEVELOPMENT U
NIT:Y:IMC3000-350
0

7.07200040E
RETAINING RING -
M4



6.07200030E
(x4)
RETAINING RING -
M3



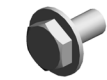
8.08050100
RETAINING RING -
M2.5



34.D1473468
JOINT:DEVELOPM
ENT



35.D1473469
JOINT:IDLER:DEVE
LOPMENT



1.03603006N
(x2)
SCREW - M3X6



5.04593010N
(x2)
BINDING HEAD TA
PPING SCREW:3X
10

| | | | | | | | | | | | | | | | | | |
|------|------|------|------|------|-------------|------|------|------|------|------|------|------|------|------|------|------|------|
| U001 | U002 | U003 | U004 | U005 | U006 | U007 | U008 | U009 | U010 | U011 | U012 | U013 | U014 | U015 | U016 | U017 | U018 |
|------|------|------|------|------|-------------|------|------|------|------|------|------|------|------|------|------|------|------|

U006_S004
(EU/CHN/TWN/AA/KOR):PCDU:K:IMC3000-6000

3.04583010N
(x2)
HEXAGON HEAD TAPPING SCREW:3X10

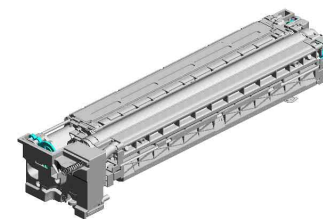


26.GA003995
DECAL:DESIGN SK
ETCH:BLACK



5.04593010N
BINDING HEAD TAPPING SCREW:3X10

30.D0BQ2379
DUCT:GEAR:DEVELOPMENT:SUB-ASSY



18.D0BN2240
[A]
(EU/CHN/TWN/AA/KOR):PCDU:K:IMC3000-6000
202302-12 O/O

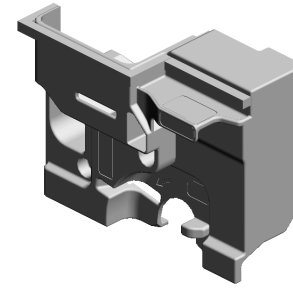


D0BN2224
[A]
(EU/CHN/TWN/AA/KOR):PCDU:K:IMC3000-6000
202302-12 O/O

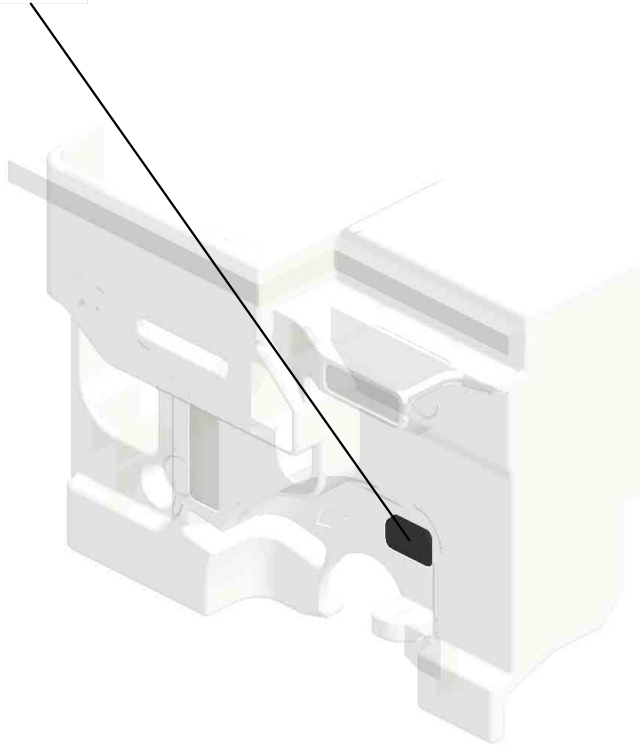
| | | | | | | | | | | | | | | | | | |
|------|------|------|------|------|-------------|------|------|------|------|------|------|------|------|------|------|------|------|
| U001 | U002 | U003 | U004 | U005 | U006 | U007 | U008 | U009 | U010 | U011 | U012 | U013 | U014 | U015 | U016 | U017 | U018 |
|------|------|------|------|------|-------------|------|------|------|------|------|------|------|------|------|------|------|------|

U006_S004_S001
COVER:PCU:FRONT:SUB-ASS'Y

20.GA003993
DECAL:LEVER:FIX



31.D0BQ2389
COVER:PCU:FRON
T:SUB-ASS'Y



| | | | | | | | | | | | | | | | | | |
|------|------|------|------|------|-------------|------|------|------|------|------|------|------|------|------|------|------|------|
| U001 | U002 | U003 | U004 | U005 | U006 | U007 | U008 | U009 | U010 | U011 | U012 | U013 | U014 | U015 | U016 | U017 | U018 |
|------|------|------|------|------|-------------|------|------|------|------|------|------|------|------|------|------|------|------|

U006_S004_S002
(EU/CHN/TWN/AA/KOR):PCU:K:IMC3000-6000

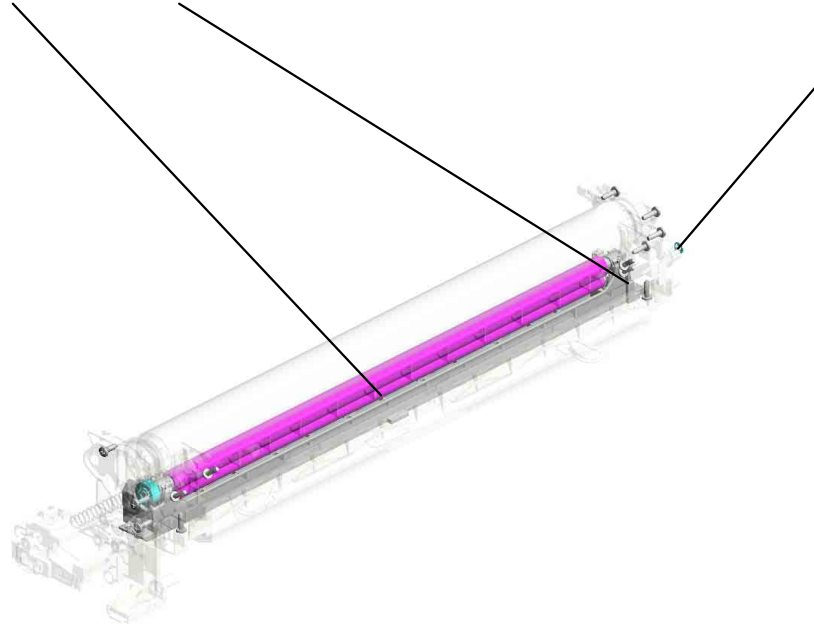
25.D0BQ2071 5.04593010N
CHARGE UNIT:ASS (x15)
"Y BINDING HEAD TA
201911-01 O/O PPING SCREW:3X
10



13.D0BM2215
(EU/CHN/TWN/AA/
KOR):PCU:K:IMC30
00-6000



6.07200030E
RETAINING RING -
M3



| | | | | | | | | | | | | | | | | | |
|------|------|------|------|------|-------------|------|------|------|------|------|------|------|------|------|------|------|------|
| U001 | U002 | U003 | U004 | U005 | U006 | U007 | U008 | U009 | U010 | U011 | U012 | U013 | U014 | U015 | U016 | U017 | U018 |
|------|------|------|------|------|-------------|------|------|------|------|------|------|------|------|------|------|------|------|

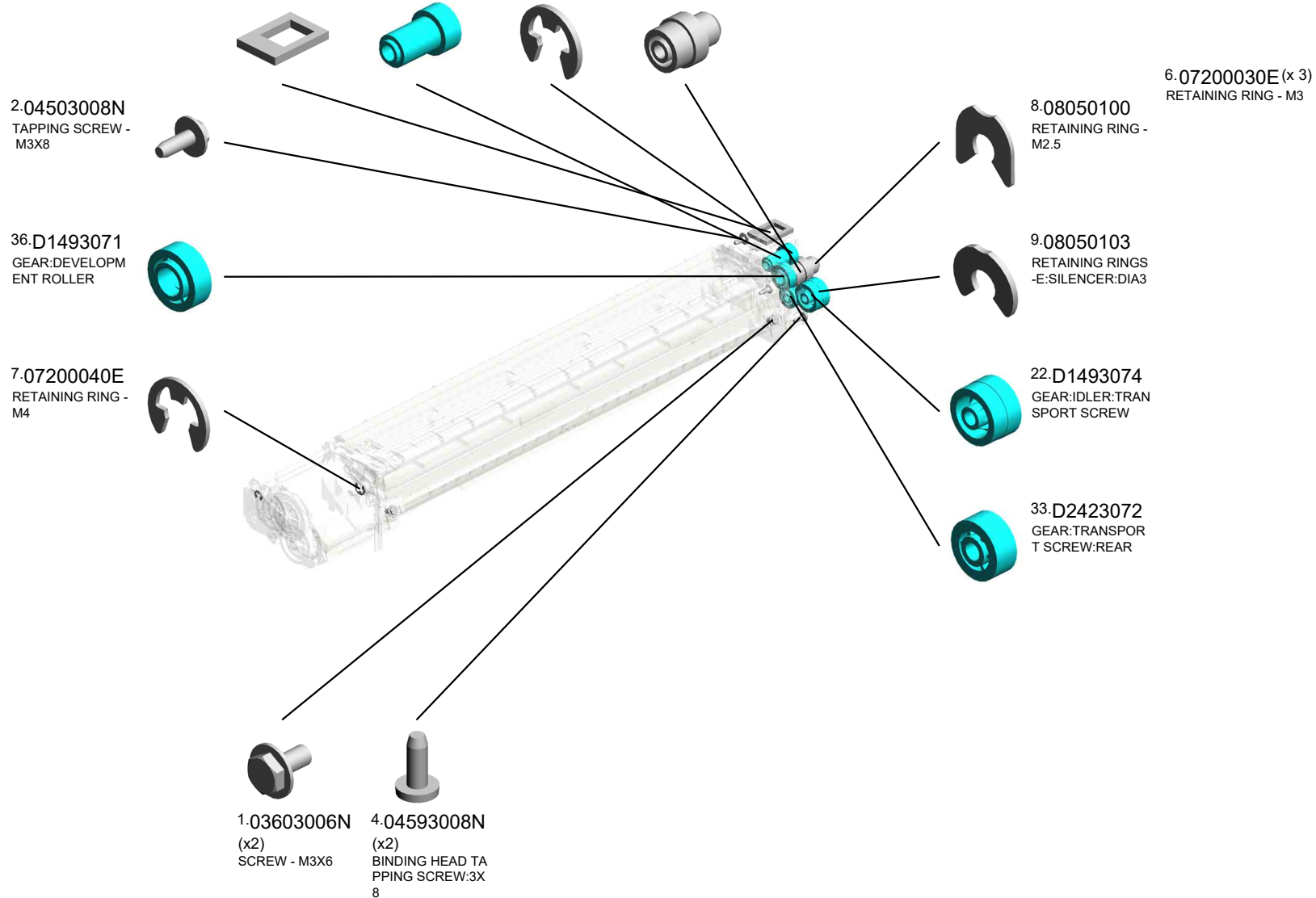
U006_S004_S003

(EU/CHN/TWN/AA/KOR):DEVELOPMENT UNIT:K:IMC3000-6000

- 39.D1493108 SEAL:TONER SUPPLY:ENTRANCE
- 23.D1493075 GEAR:IDLER:DEVELOPMENT ROLLER
- 6.07200030E (x2) RETAINING RING - M3
- 21.D1493073 JOINT:DEVELOPMENT



19.D0BQ3000
(EU/CHN/TWN/AA/KOR):DEVELOPMENT UNIT:K:IMC3000-6000



| | | | | | | | | | | | | | | | | | |
|------|------|------|------|------|------|------|------|------|------|------|------|------|------|------|------|------|------|
| U001 | U002 | U003 | U004 | U005 | U006 | U007 | U008 | U009 | U010 | U011 | U012 | U013 | U014 | U015 | U016 | U017 | U018 |
|------|------|------|------|------|------|------|------|------|------|------|------|------|------|------|------|------|------|

U007.DEVELOPMENT

U007 S011
D0BQ3219
DRIVE UNIT:TONER BOTTLE
:ASS'Y

U007 S002
D0BQ3284
TRANSPORT SCREW:NOZZL
E:CMY:ASS'Y

U007 S010
D0BQ3219
DRIVE UNIT:TONER BOTTLE
:ASS'Y

U007 S004
D0BQ3284
TRANSPORT SCREW:NOZZL
E:CMY:ASS'Y

U007 S012
D0BQ3219
DRIVE UNIT:TONER BOTTLE
:ASS'Y

U007 S009
D0BQ3312
TONER HOPPER:TONER SU
PPLY:Y:ASS'Y

U007 S001
D0BQ3283
TRANSPORT SCREW:NOZZL
E:BK:ASS'Y

U007 S008
D0BQ3282
TONER HOPPER:TONER SU
PPLY:M:ASS'Y

U007 S006
D0BQ3242
TONER HOPPER:TONER SU
PPLY:BK:ASS'Y

U007 S005
D1493256
BASE:TONER HOPPER:REA
R:ASS'Y

U007 S007
D0BQ3272
TONER HOPPER:TONER SU
PPLY:C:ASS'Y

U007 S003
D0BQ3284
TRANSPORT SCREW:NOZZL
E:CMY:ASS'Y

| | | | | | | | | | | | | | | | | | |
|------|------|------|------|------|------|------|------|------|------|------|------|------|------|------|------|------|------|
| U001 | U002 | U003 | U004 | U005 | U006 | U007 | U008 | U009 | U010 | U011 | U012 | U013 | U014 | U015 | U016 | U017 | U018 |
|------|------|------|------|------|------|------|------|------|------|------|------|------|------|------|------|------|------|

U007.DEVELOPMENT

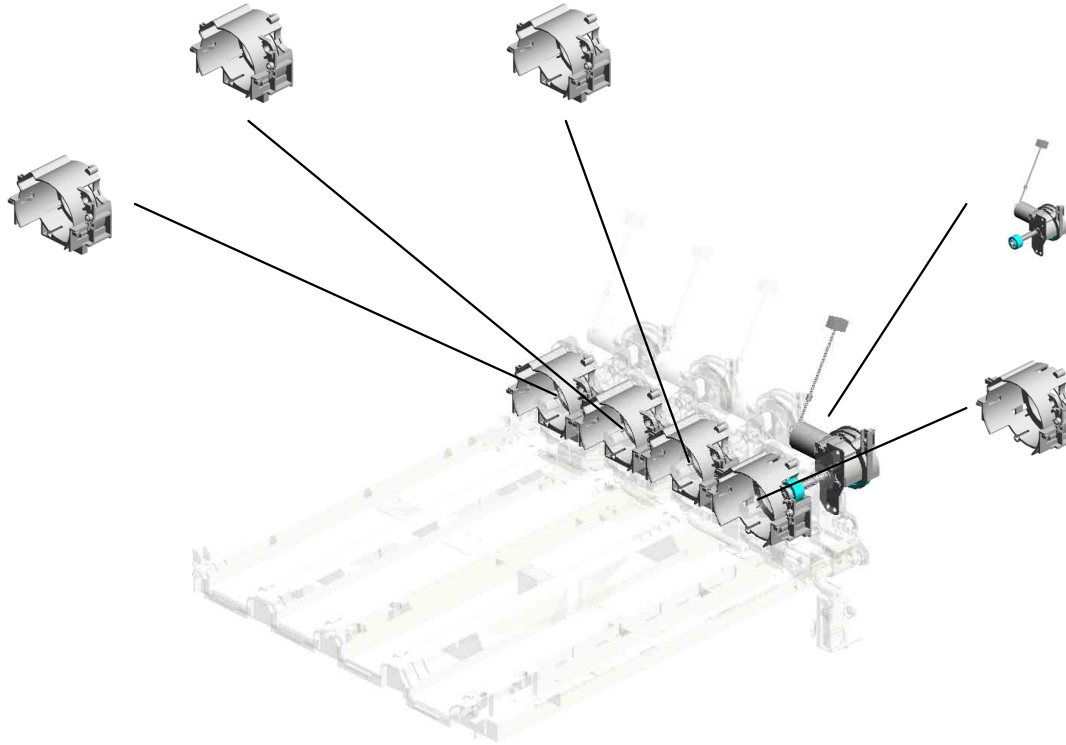
U007 S016
D1473282
HOUSING:TONER CARTRID
GE:CMY:ASS'Y

U007 S015
D1473282
HOUSING:TONER CARTRID
GE:CMY:ASS'Y

U007 S017
D1473282
HOUSING:TONER CARTRID
GE:CMY:ASS'Y

U007 S013
D0BQ3219
DRIVE UNIT:TONER BOTTLE
:ASS'Y

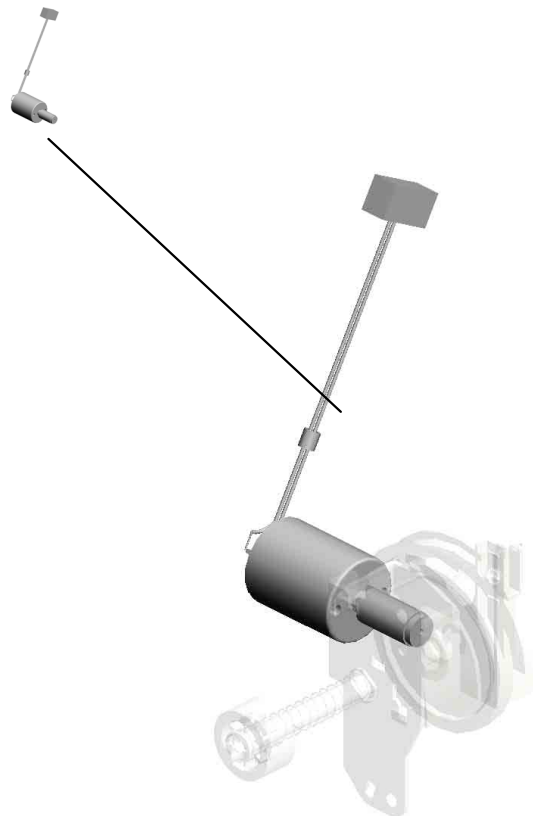
U007 S014
D1473281
HOUSING:TONER CARTRID
GE:BK:ASS'Y



| | | | | | | | | | | | | | | | | | |
|------|------|------|------|------|------|------|------|------|------|------|------|------|------|------|------|------|------|
| U001 | U002 | U003 | U004 | U005 | U006 | U007 | U008 | U009 | U010 | U011 | U012 | U013 | U014 | U015 | U016 | U017 | U018 |
|------|------|------|------|------|------|------|------|------|------|------|------|------|------|------|------|------|------|

U007_S010.DRIVE UNIT:TONER BOTTLE:ASS'Y

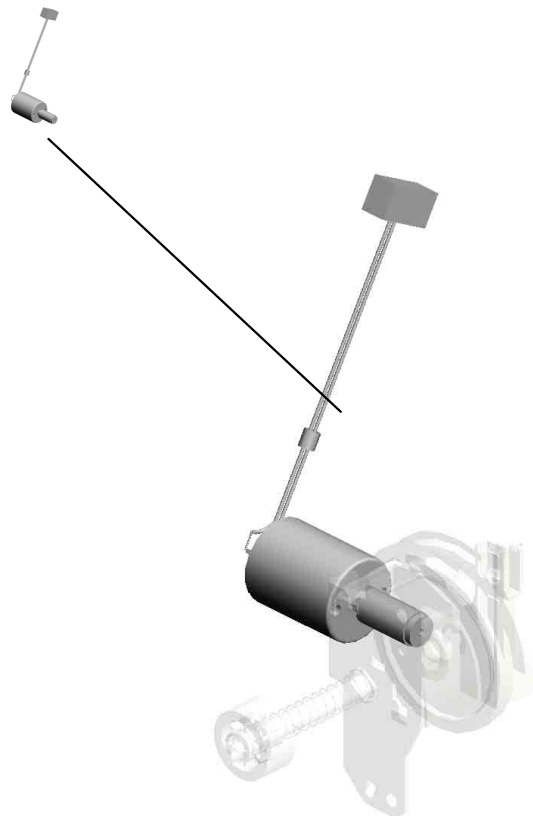
U007 S010 S001
D1493210
DC MOTOR:TONER BOTTLE:
ASSY:5.28W:BRUSH:(M11/M
12/M13/M14)



| | | | | | | | | | | | | | | | | | |
|------|------|------|------|------|------|------|------|------|------|------|------|------|------|------|------|------|------|
| U001 | U002 | U003 | U004 | U005 | U006 | U007 | U008 | U009 | U010 | U011 | U012 | U013 | U014 | U015 | U016 | U017 | U018 |
|------|------|------|------|------|------|------|------|------|------|------|------|------|------|------|------|------|------|

U007_S011.DRIVE UNIT:TONER BOTTLE:ASS'Y

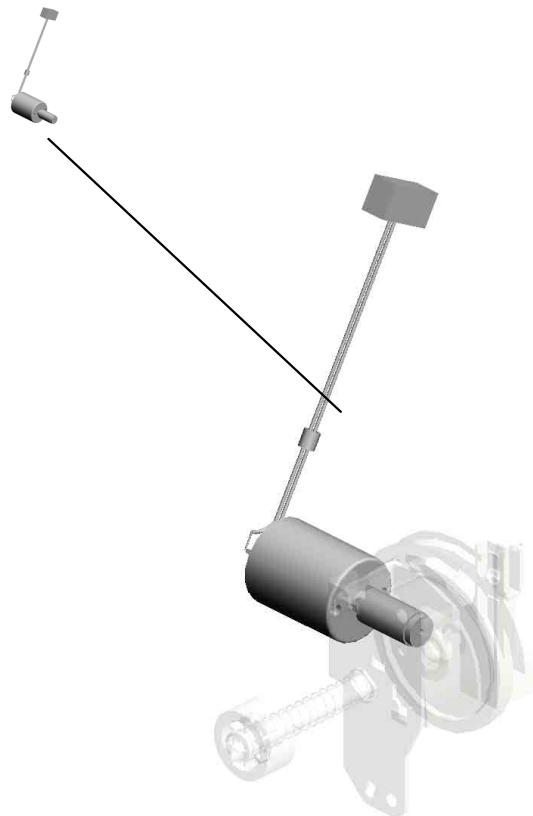
U007 S011 S001
D1493210
DC MOTOR:TONER BOTTLE:
ASSY:5.28W:BRUSH:(M11/M
12/M13/M14)



| | | | | | | | | | | | | | | | | | |
|------|------|------|------|------|------|------|------|------|------|------|------|------|------|------|------|------|------|
| U001 | U002 | U003 | U004 | U005 | U006 | U007 | U008 | U009 | U010 | U011 | U012 | U013 | U014 | U015 | U016 | U017 | U018 |
|------|------|------|------|------|------|------|------|------|------|------|------|------|------|------|------|------|------|

U007_S012.DRIVE UNIT:TONER BOTTLE:ASS'Y

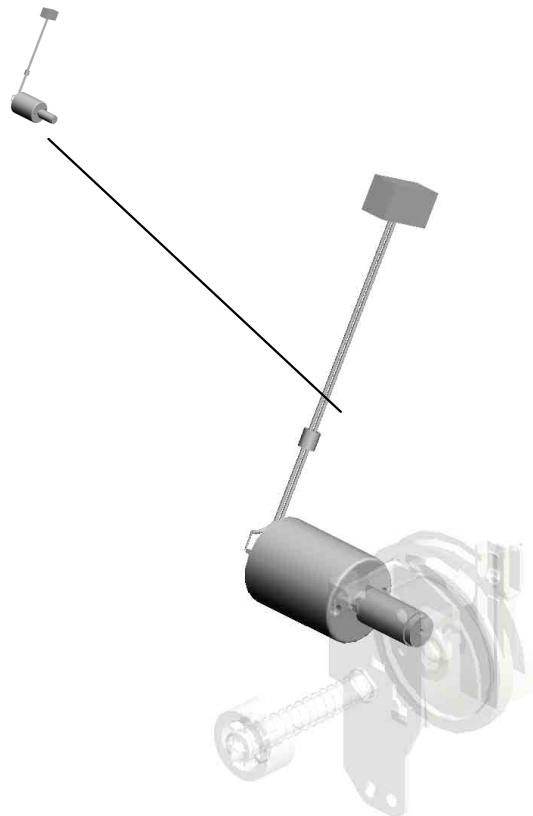
U007 S012 S001
D1493210
DC MOTOR:TONER BOTTLE:
ASSY:5.28W:BRUSH:(M11/M
12/M13/M14)



| | | | | | | | | | | | | | | | | | |
|------|------|------|------|------|------|------|------|------|------|------|------|------|------|------|------|------|------|
| U001 | U002 | U003 | U004 | U005 | U006 | U007 | U008 | U009 | U010 | U011 | U012 | U013 | U014 | U015 | U016 | U017 | U018 |
|------|------|------|------|------|------|------|------|------|------|------|------|------|------|------|------|------|------|

U007_S013.DRIVE UNIT:TONER BOTTLE:ASS'Y

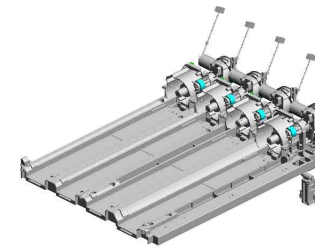
U007 S013 S001
D1493210
DC MOTOR:TONER BOTTLE:
ASSY:5.28W:BRUSH:(M11/M
12/M13/M14)



| | | | | | | | | | | | | | | | | | |
|------|------|------|------|------|------|------|------|------|------|------|------|------|------|------|------|------|------|
| U001 | U002 | U003 | U004 | U005 | U006 | U007 | U008 | U009 | U010 | U011 | U012 | U013 | U014 | U015 | U016 | U017 | U018 |
|------|------|------|------|------|------|------|------|------|------|------|------|------|------|------|------|------|------|

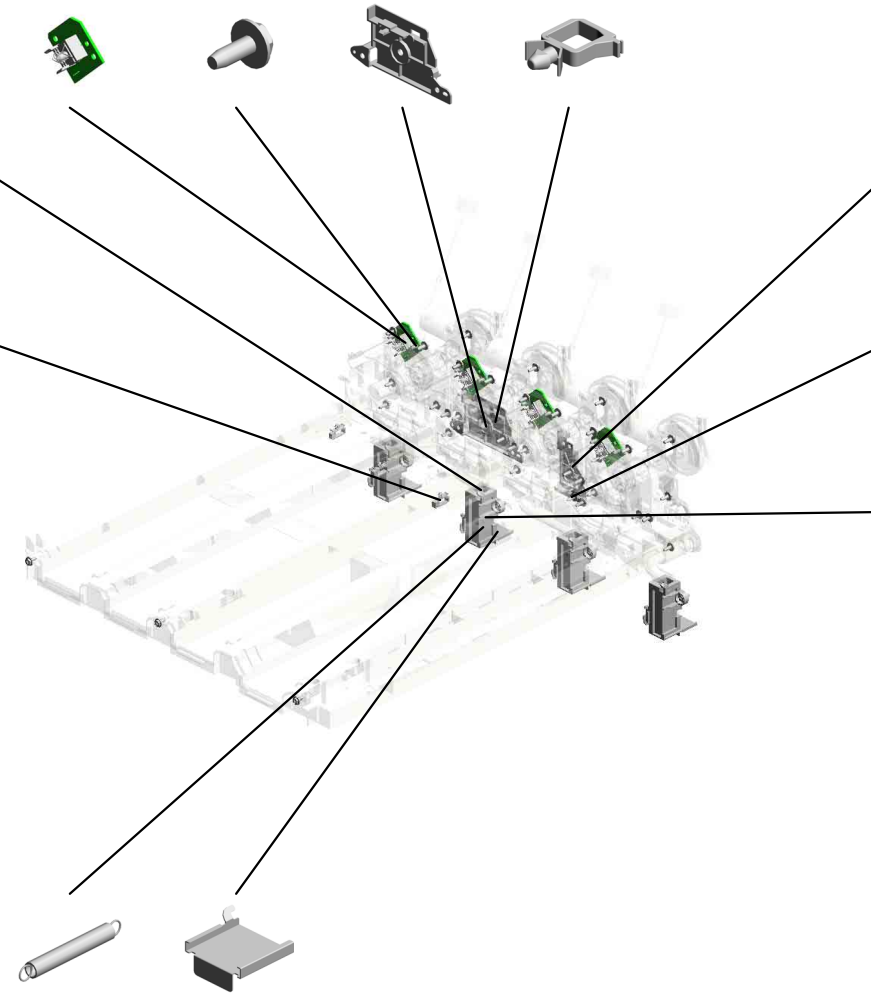
U007 DEVELOPMENT

36.D0BQ5172 (x4) PCB:TCB:(PCB3/PCB4/PCB5/PCB6) 201904-01 O/O
 3.04583008N (x35) HEXAGON HEAD TAPPING SCREW:3X8
 30.D1493331 COVER:GEAR:TONER SUPPLY SUB-UNIT
 8.11050488 HARNESS CLAMP



29.D1493330 (x4) SEAL:CONNECTOR:CARTRIDGE:TONER SUPPLY

11.11050760 (x3) CLAMP:LWSM-051A



34.D2413336 COVER:GEAR:TONER SUPPLY SUB-UNIT:C

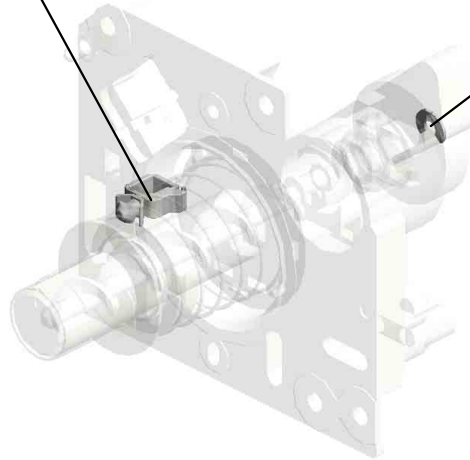
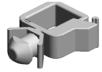
2.04543008Q (x18) TAPPING SCREW:3X8

27.D1493321 (x4) DUCT:VERTICAL TRANSPORT:TONER SUPPLY

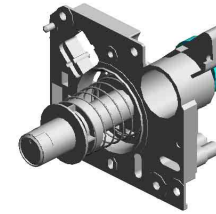
13.B2233241 (x4) SPRING:SHUTTER:PUMP UNIT
 28.D1493322 (x4) SHUTTER:DUCT:TONER SUPPLY

U007_S001
TRANSPORT SCREW:NOZZLE:BK:ASS'Y

10.11050759
CLAMP:LWSM-060
5A



6.08050103
RETAINING RINGS
-E:SILENCER:DIA3



37.D0BQ3283
[A]
TRANSPORT SCR
EW:NOZZLE:BK:AS
S'Y
202203-02 O/O

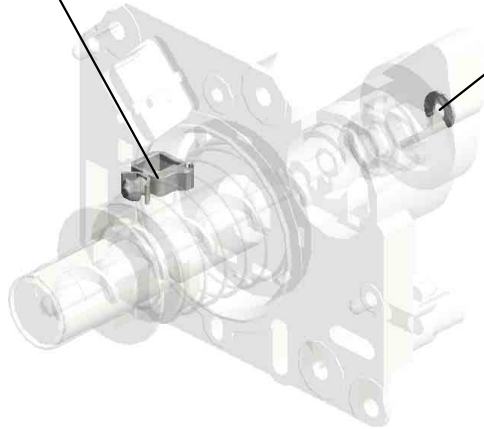
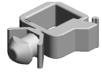


D0BQ3285
[A]
TRANSPORT SCR
EW:NOZZLE:BK:AS
S'Y
202203-02 O/O

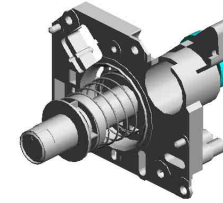
| | | | | | | | | | | | | | | | | | |
|------|------|------|------|------|------|------|------|------|------|------|------|------|------|------|------|------|------|
| U001 | U002 | U003 | U004 | U005 | U006 | U007 | U008 | U009 | U010 | U011 | U012 | U013 | U014 | U015 | U016 | U017 | U018 |
|------|------|------|------|------|------|------|------|------|------|------|------|------|------|------|------|------|------|

U007_S002
TRANSPORT SCREW:NOZZLE:CMY:ASS'Y

10.11050759
CLAMP:LWSM-060
5A



6.08050103
RETAINING RINGS
-E:SILENCER:DIA3



38.D0BQ3284
[A]
TRANSPORT SCR
EW:NOZZLE:CMY:
ASS'Y
202203-01 O/O

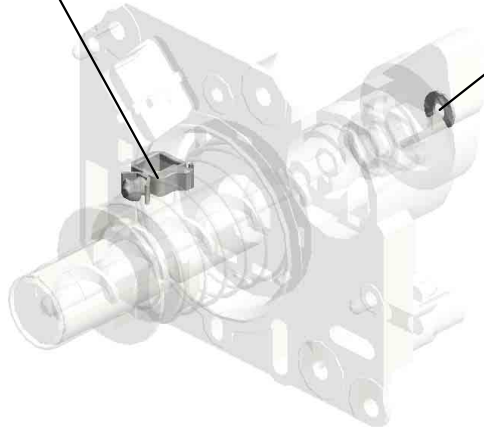
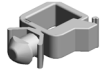


D0BQ3286
[A]
TRANSPORT SCR
EW:NOZZLE:CMY:
ASS'Y
202203-01 O/O

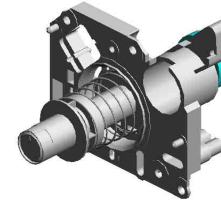
| | | | | | | | | | | | | | | | | | |
|------|------|------|------|------|------|------|------|------|------|------|------|------|------|------|------|------|------|
| U001 | U002 | U003 | U004 | U005 | U006 | U007 | U008 | U009 | U010 | U011 | U012 | U013 | U014 | U015 | U016 | U017 | U018 |
|------|------|------|------|------|------|------|------|------|------|------|------|------|------|------|------|------|------|

U007_S003
TRANSPORT SCREW:NOZZLE:CMY:ASS'Y

10.11050759
CLAMP:LWSM-060
5A



6.08050103
RETAINING RINGS
-E:SILENCER:DIA3



38.D0BQ3284
[A]
TRANSPORT SCR
EW:NOZZLE:CMY:
ASS'Y
202203-01 O/O

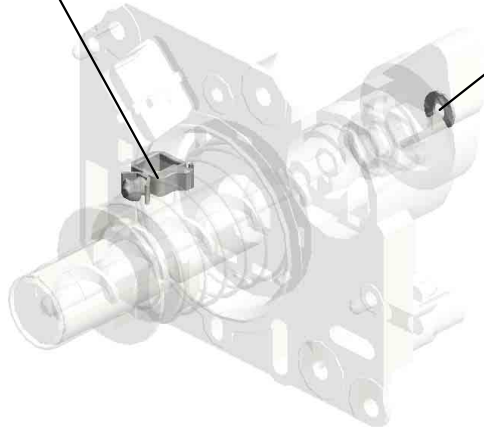
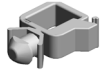


D0BQ3286
[A]
TRANSPORT SCR
EW:NOZZLE:CMY:
ASS'Y
202203-01 O/O

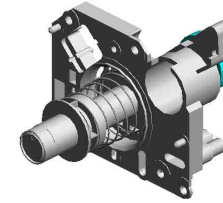
| | | | | | | | | | | | | | | | | | |
|------|------|------|------|------|------|------|------|------|------|------|------|------|------|------|------|------|------|
| U001 | U002 | U003 | U004 | U005 | U006 | U007 | U008 | U009 | U010 | U011 | U012 | U013 | U014 | U015 | U016 | U017 | U018 |
|------|------|------|------|------|------|------|------|------|------|------|------|------|------|------|------|------|------|

U007_S004
TRANSPORT SCREW:NOZZLE:CMY:ASS'Y

10.11050759
CLAMP:LWSM-060
5A



6.08050103
RETAINING RINGS
-E:SILENCER:DIA3



38.D0BQ3284
[A]
TRANSPORT SCR
EW:NOZZLE:CMY:
ASS'Y
202203-01 O/O

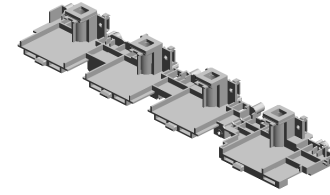


D0BQ3286
[A]
TRANSPORT SCR
EW:NOZZLE:CMY:
ASS'Y
202203-01 O/O

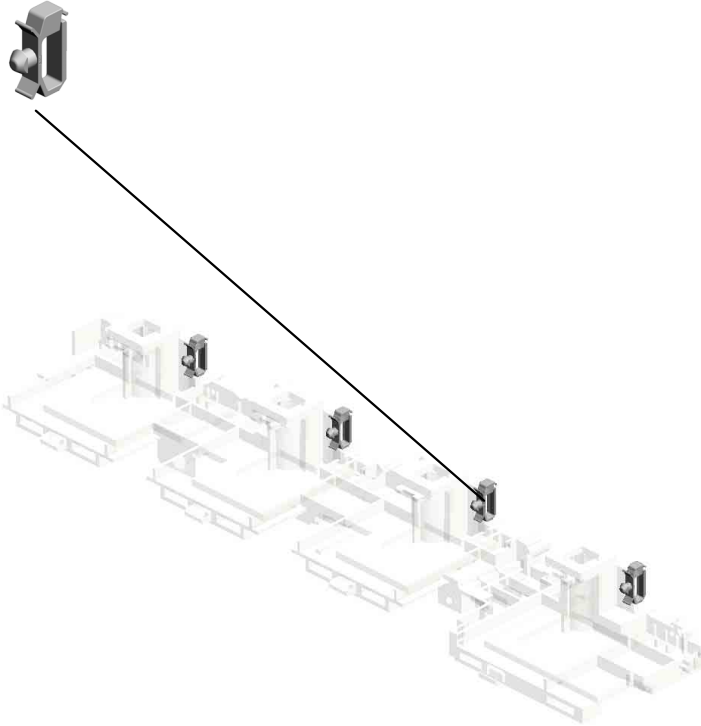
| | | | | | | | | | | | | | | | | | |
|------|------|------|------|------|------|------|------|------|------|------|------|------|------|------|------|------|------|
| U001 | U002 | U003 | U004 | U005 | U006 | U007 | U008 | U009 | U010 | U011 | U012 | U013 | U014 | U015 | U016 | U017 | U018 |
|------|------|------|------|------|------|------|------|------|------|------|------|------|------|------|------|------|------|

U007_S005
BASE:TONER HOPPER:REAR:ASS'Y

11.11050760
(x4)
CLAMP:LWSM-051
1A



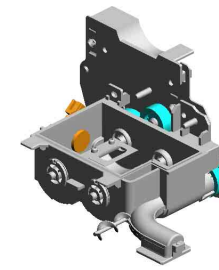
26.D1493256
BASE:TONER HOP
PER:REAR:ASS'Y



| | | | | | | | | | | | | | | | | | |
|------|------|------|------|------|------|------|------|------|------|------|------|------|------|------|------|------|------|
| U001 | U002 | U003 | U004 | U005 | U006 | U007 | U008 | U009 | U010 | U011 | U012 | U013 | U014 | U015 | U016 | U017 | U018 |
|------|------|------|------|------|------|------|------|------|------|------|------|------|------|------|------|------|------|

U007_S006
 TONER HOPPER:TONER SUPPLY:BK:ASS'Y

3-04583008N 1-03530030N 4-04583010N
 HEXAGON HEAD TAPPING SCREW:3 X8 (x2) SCREW:M3X3 (x3) HEXAGON HEAD TAPPING SCREW:3 X10



16.D0BQ3242
 [A]
 TONER HOPPER:TONER SUPPLY:BK:ASS'Y
 202011-03 O/O

35.GW230008
 TONER END SENSOR:
 (S28/S29/S30/S31)



32.D1493350
 DC STEPPER MOTOR:
 TONER SUPPLY:(M19/M20/M22)



9.11050758
 (x2)
 CLAMP:LWSM-0306A



6.08050103
 (x5)
 RETAINING RINGS:
 SILENCER:DIA3



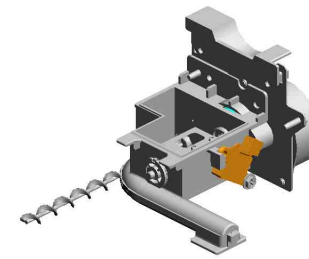
D0BQ3240

[A]
 TONER HOPPER:TONER SUPPLY:BK:ASS'Y
 202011-03 O/O

| | | | | | | | | | | | | | | | | | |
|------|------|------|------|------|------|------|------|------|------|------|------|------|------|------|------|------|------|
| U001 | U002 | U003 | U004 | U005 | U006 | U007 | U008 | U009 | U010 | U011 | U012 | U013 | U014 | U015 | U016 | U017 | U018 |
|------|------|------|------|------|------|------|------|------|------|------|------|------|------|------|------|------|------|

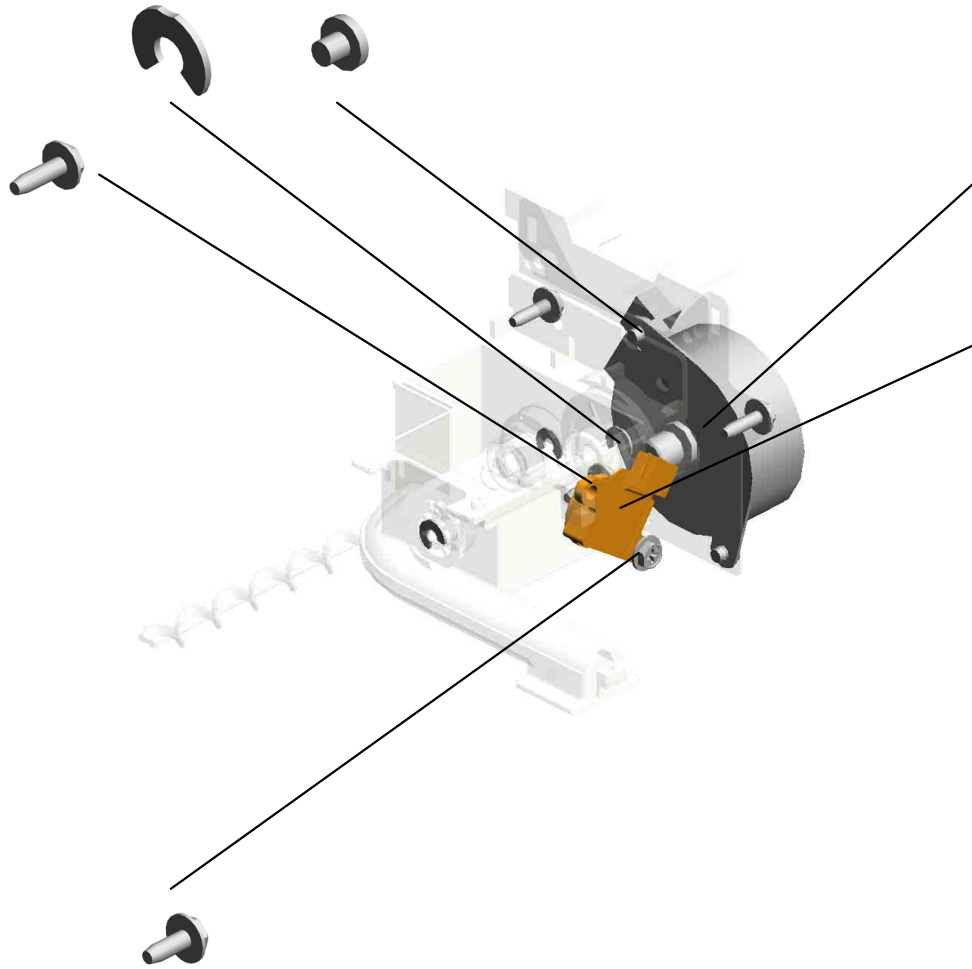
U007_S007
 TONER HOPPER:TONER SUPPLY:C:ASS'Y

6.08050103 (x3) RETAINING RINGS
 -E:SILENCER:DIA3
 1.03530030N (x2) SCREW:M3X3



17.D0BQ3272
 [A]
 TONER HOPPER:T
 ONER SUPPLY:C:A
 SS'Y
 202011-04 O/O

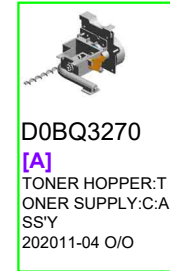
4.04583010N (x3)
 HEXAGON HEAD T
 APPING SCREW:3
 X10



32.D1493350
 DC STEPPER MOT
 OR:TONER SUPPL
 Y:(M19/M20/M22)

35.GW230008
 TONER END SENS
 OR:(S28/S29/S30/S
 31)

3.04583008N
 HEXAGON HEAD T
 APPING SCREW:3
 X8



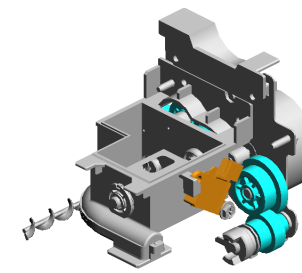
D0BQ3270
 [A]
 TONER HOPPER:T
 ONER SUPPLY:C:A
 SS'Y
 202011-04 O/O

| | | | | | | | | | | | | | | | | | |
|------|------|------|------|------|------|------|------|------|------|------|------|------|------|------|------|------|------|
| U001 | U002 | U003 | U004 | U005 | U006 | U007 | U008 | U009 | U010 | U011 | U012 | U013 | U014 | U015 | U016 | U017 | U018 |
|------|------|------|------|------|------|------|------|------|------|------|------|------|------|------|------|------|------|

U007_S008
 TONER HOPPER:TONER SUPPLY:M:ASS'Y

6.08050103 (x4)
 RETAINING RINGS
 -E:SILENCER:DIA3

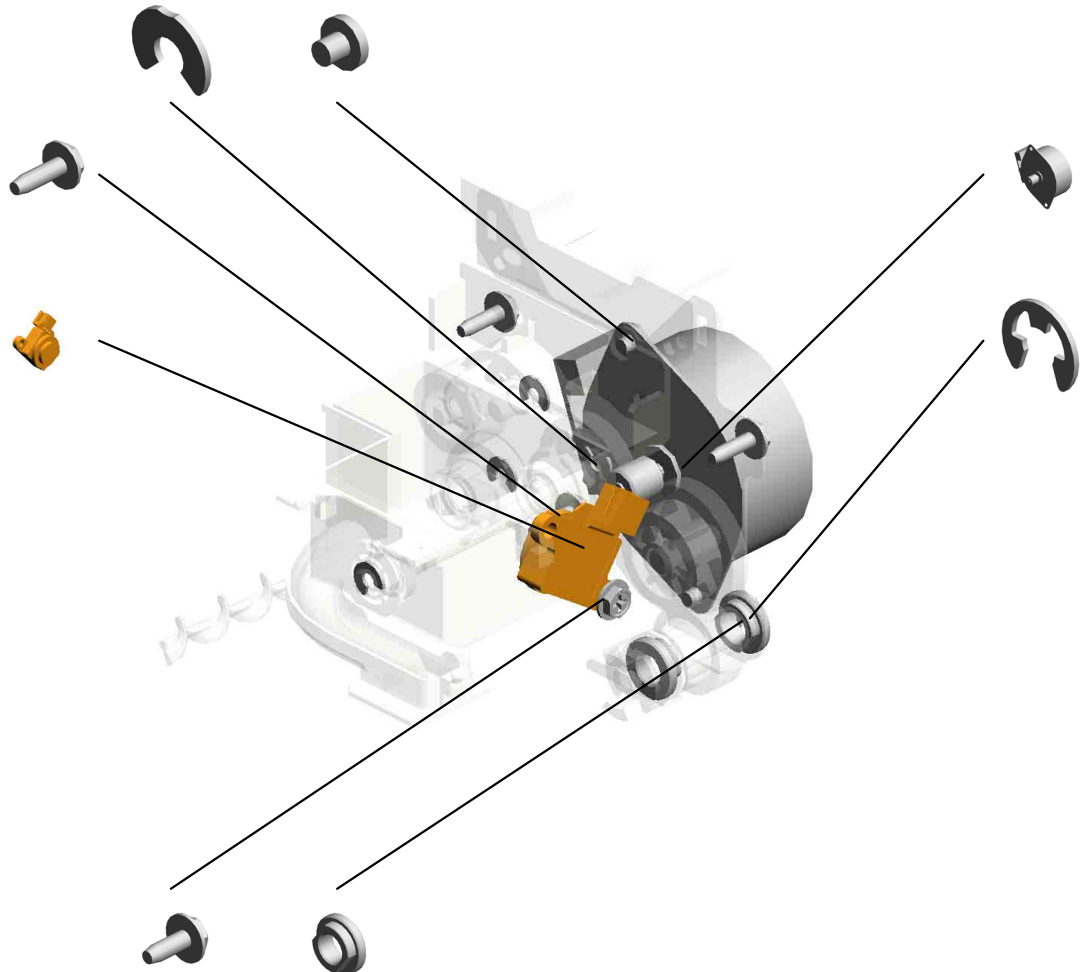
1.03530030N (x2)
 SCREW:M3X3



18.D0BQ3282
 [A]
 TONER HOPPER:T
 ONER SUPPLY:M:A
 SS'Y
 202011-05 O/O

4.04583010N (x3)
 HEXAGON HEAD T
 APPING SCREW:3
 X10

35.GW230008
 TONER END SENS
 OR:(S28/S29/S30/S
 31)

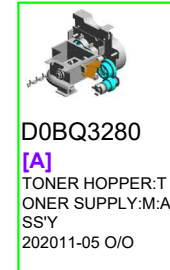


33.D1496318
 DC STEPPER MOT
 OR:ON-OFF:(M21)

5.07200040E
 RETAINING RING -
 M4

3.04583008N (x2)
 HEXAGON HEAD T
 APPING SCREW:3
 X8

31.D1493343 (x2)
 COLLAR:TONER S
 UPPLY

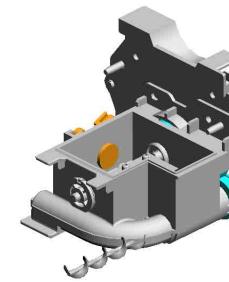


D0BQ3280
 [A]
 TONER HOPPER:T
 ONER SUPPLY:M:A
 SS'Y
 202011-05 O/O

| | | | | | | | | | | | | | | | | | |
|------|------|------|------|------|------|------|------|------|------|------|------|------|------|------|------|------|------|
| U001 | U002 | U003 | U004 | U005 | U006 | U007 | U008 | U009 | U010 | U011 | U012 | U013 | U014 | U015 | U016 | U017 | U018 |
|------|------|------|------|------|------|------|------|------|------|------|------|------|------|------|------|------|------|

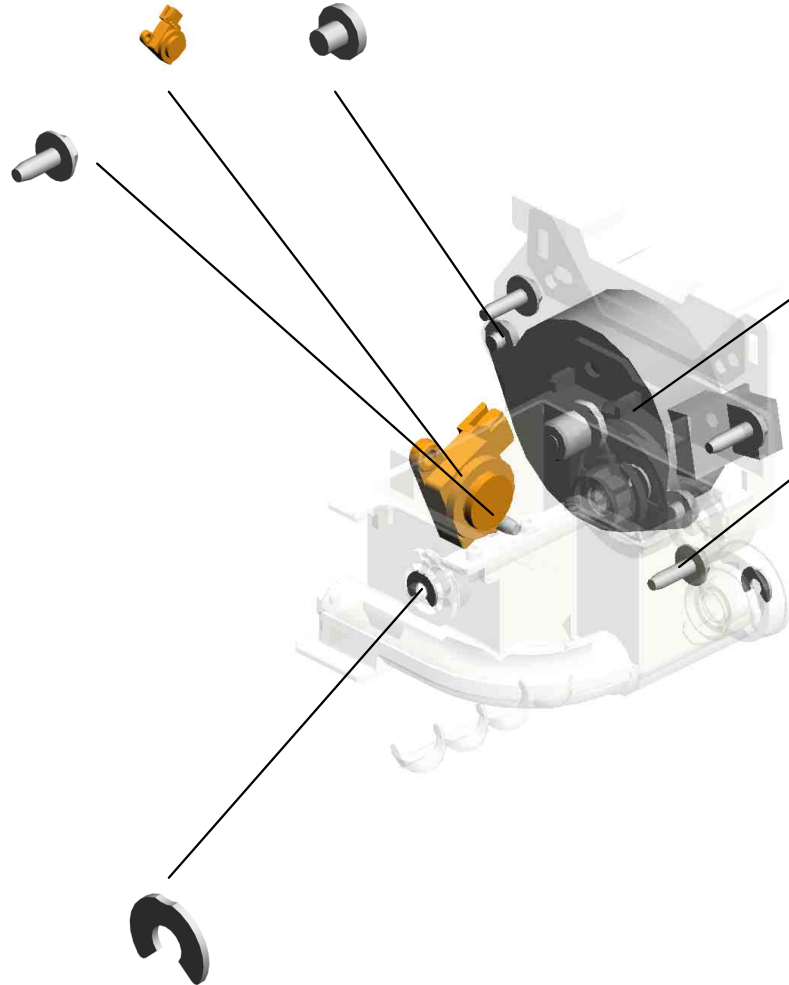
U007_S009
 TONER HOPPER:TONER SUPPLY:Y:ASS'Y

35.GW230008 1.03530030N
 TONER END SENS (x2)
 OR:(S28/S29/S30/S31) SCREW:M3X3



21.D0BQ3312
 [A]
 TONER HOPPER:T
 ONER SUPPLY:Y:A
 SS'Y
 202011-06 O/O

3.04583008N
 HEXAGON HEAD T
 APPING SCREW:3
 X8



32.D1493350
 DC STEPPER MOT
 OR:TONER SUPPL
 Y:(M19/M20/M22)

4.04583010N
 (x3)
 HEXAGON HEAD T
 APPING SCREW:3
 X10

6.08050103
 (x3)
 RETAINING RINGS
 -E:SILENCER:DIA3



D0BQ3310
 [A]
 TONER HOPPER:T
 ONER SUPPLY:Y:A
 SS'Y
 202011-06 O/O

| | | | | | | | | | | | | | | | | | |
|------|------|------|------|------|------|------|------|------|------|------|------|------|------|------|------|------|------|
| U001 | U002 | U003 | U004 | U005 | U006 | U007 | U008 | U009 | U010 | U011 | U012 | U013 | U014 | U015 | U016 | U017 | U018 |
|------|------|------|------|------|------|------|------|------|------|------|------|------|------|------|------|------|------|

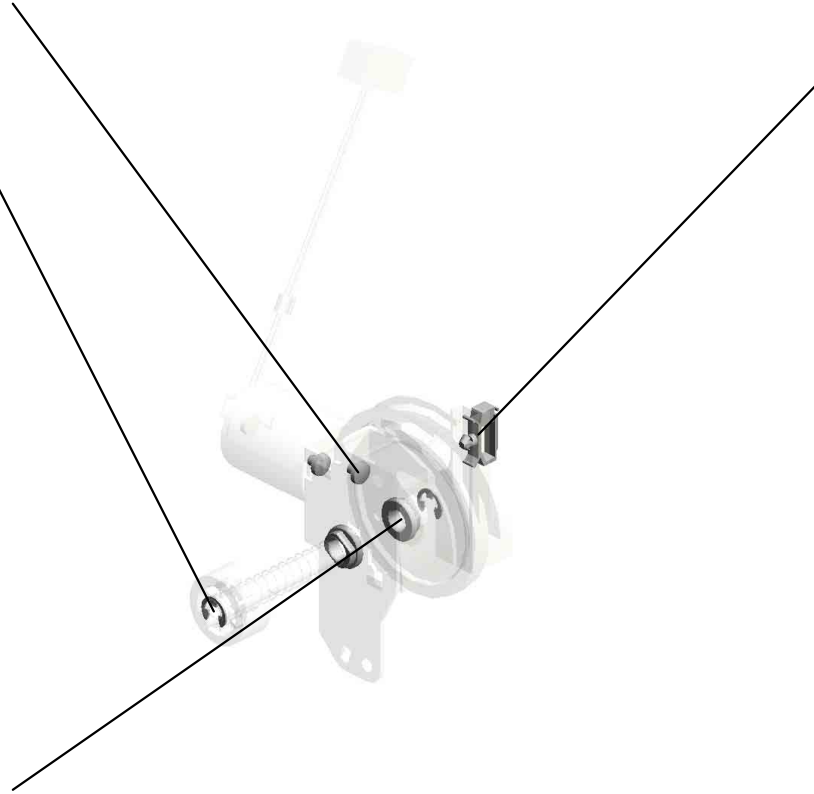
U007_S010
DRIVE UNIT:TONER BOTTLE:ASS'Y

1-03530030N
(x2)
SCREW:M3X3



15.D0BQ3219
DRIVE UNIT: TONE
R BOTTLE: ASS'Y

5-07200040E
(x2)
RETAINING RING -
M4



12-11050762
CLAMP:LWS-0711A

31.D1493343
(x2)
COLLAR: TONER S
UPPLY

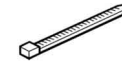


| | | | | | | | | | | | | | | | | | |
|------|------|------|------|------|------|------|------|------|------|------|------|------|------|------|------|------|------|
| U001 | U002 | U003 | U004 | U005 | U006 | U007 | U008 | U009 | U010 | U011 | U012 | U013 | U014 | U015 | U016 | U017 | U018 |
|------|------|------|------|------|------|------|------|------|------|------|------|------|------|------|------|------|------|

U007_S010_S001
DC MOTOR:TONE R BOTTLE:ASS'Y:5.28W:BRUSH:(M11/M12/M13/M14)



25.D1493210
DC MOTOR:TONE
R BOTTLE:ASS'Y:5.
28W:BRUSH:(M11/
M12/M13/M14)



7.11050046
HARNESS BAND

| | | | | | | | | | | | | | | | | | |
|------|------|------|------|------|------|------|------|------|------|------|------|------|------|------|------|------|------|
| U001 | U002 | U003 | U004 | U005 | U006 | U007 | U008 | U009 | U010 | U011 | U012 | U013 | U014 | U015 | U016 | U017 | U018 |
|------|------|------|------|------|------|------|------|------|------|------|------|------|------|------|------|------|------|

U007_S011
DRIVE UNIT:TONER BOTTLE:ASS'Y

1.03530030N
(x2)
SCREW:M3X3



15.D0BQ3219
DRIVE UNIT:TONER
BOTTLE:ASS'Y

5.07200040E
(x2)
RETAINING RING -
M4



12.11050762
CLAMP:LWS-0711A

31.D1493343
(x2)
COLLAR:TONER S
UPPLY



| | | | | | | | | | | | | | | | | | |
|------|------|------|------|------|------|------|------|------|------|------|------|------|------|------|------|------|------|
| U001 | U002 | U003 | U004 | U005 | U006 | U007 | U008 | U009 | U010 | U011 | U012 | U013 | U014 | U015 | U016 | U017 | U018 |
|------|------|------|------|------|------|------|------|------|------|------|------|------|------|------|------|------|------|

U007_S011_S001
DC MOTOR:TONE R BOTTLE:ASS'Y:5.28W:BRUSH:(M11/M12/M13/M14)



25.D1493210
DC MOTOR:TONE
R BOTTLE:ASS'Y:5.
28W:BRUSH:(M11/
M12/M13/M14)



7.11050046
HARNESS BAND

| | | | | | | | | | | | | | | | | | |
|------|------|------|------|------|------|------|------|------|------|------|------|------|------|------|------|------|------|
| U001 | U002 | U003 | U004 | U005 | U006 | U007 | U008 | U009 | U010 | U011 | U012 | U013 | U014 | U015 | U016 | U017 | U018 |
|------|------|------|------|------|------|------|------|------|------|------|------|------|------|------|------|------|------|

U007_S012
DRIVE UNIT:TONER BOTTLE:ASS'Y

1.03530030N
(x2)
SCREW:M3X3



15.D0BQ3219
DRIVE UNIT:TONER
BOTTLE:ASS'Y

5.07200040E
(x2)
RETAINING RING -
M4



12.11050762
CLAMP:LWS-0711A

31.D1493343
(x2)
COLLAR:TONER S
UPPLY



| | | | | | | | | | | | | | | | | | |
|------|------|------|------|------|------|------|------|------|------|------|------|------|------|------|------|------|------|
| U001 | U002 | U003 | U004 | U005 | U006 | U007 | U008 | U009 | U010 | U011 | U012 | U013 | U014 | U015 | U016 | U017 | U018 |
|------|------|------|------|------|------|------|------|------|------|------|------|------|------|------|------|------|------|

U007_S012_S001
DC MOTOR:TONE R BOTTLE:ASS'Y:5.28W:BRUSH:(M11/M12/M13/M14)



25.D1493210
DC MOTOR:TONE
R BOTTLE:ASS'Y:5.
28W:BRUSH:(M11/
M12/M13/M14)



7.11050046
HARNESS BAND

| | | | | | | | | | | | | | | | | | |
|------|------|------|------|------|------|------|------|------|------|------|------|------|------|------|------|------|------|
| U001 | U002 | U003 | U004 | U005 | U006 | U007 | U008 | U009 | U010 | U011 | U012 | U013 | U014 | U015 | U016 | U017 | U018 |
|------|------|------|------|------|------|------|------|------|------|------|------|------|------|------|------|------|------|

U007_S013
DRIVE UNIT:TONER BOTTLE:ASS'Y

1.03530030N
(x2)
SCREW:M3X3



15.D0BQ3219
DRIVE UNIT:TONER
BOTTLE:ASS'Y

5.07200040E
(x2)
RETAINING RING -
M4



12.11050762
CLAMP:LWS-0711A

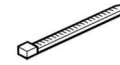
31.D1493343
(x2)
COLLAR:TONER S
UPPLY

| | | | | | | | | | | | | | | | | | |
|------|------|------|------|------|------|------|------|------|------|------|------|------|------|------|------|------|------|
| U001 | U002 | U003 | U004 | U005 | U006 | U007 | U008 | U009 | U010 | U011 | U012 | U013 | U014 | U015 | U016 | U017 | U018 |
|------|------|------|------|------|------|------|------|------|------|------|------|------|------|------|------|------|------|

U007_S013_S001
DC MOTOR:TONE R BOTTLE:ASS'Y:5.28W:BRUSH:(M11/M12/M13/M14)



25.D1493210
DC MOTOR:TONE
R BOTTLE:ASS'Y:5.
28W:BRUSH:(M11/
M12/M13/M14)

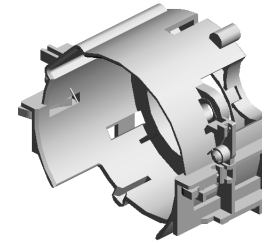


7.11050046
HARNESS BAND

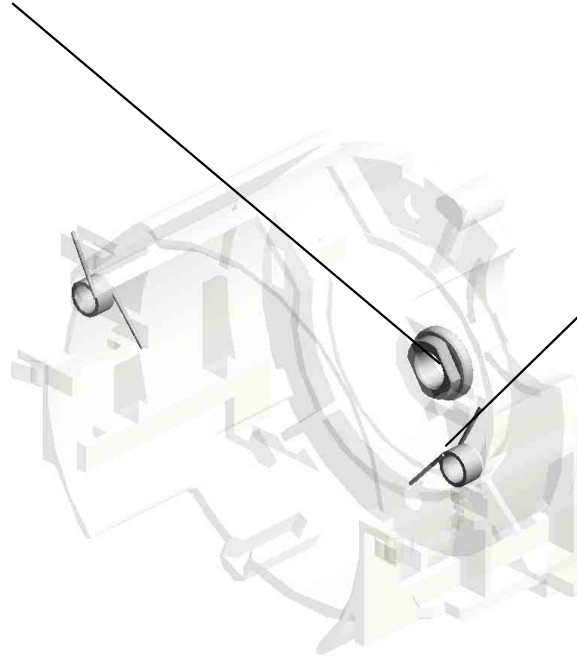
| | | | | | | | | | | | | | | | | | |
|------|------|------|------|------|------|------|------|------|------|------|------|------|------|------|------|------|------|
| U001 | U002 | U003 | U004 | U005 | U006 | U007 | U008 | U009 | U010 | U011 | U012 | U013 | U014 | U015 | U016 | U017 | U018 |
|------|------|------|------|------|------|------|------|------|------|------|------|------|------|------|------|------|------|

U007_S014
HOUSING:TONER CARTRIDGE:BK:ASS'Y

31.D1493343
COLLAR:TONER SUPPLY



22.D1473281
HOUSING:TONER
CARTRIDGE:BK:AS
SY

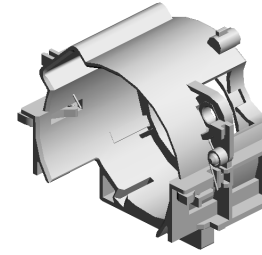


24.D1473325
(x2)
TORSION SPRING:
STOPPER:TONER
CARTRIDGE:4.8N

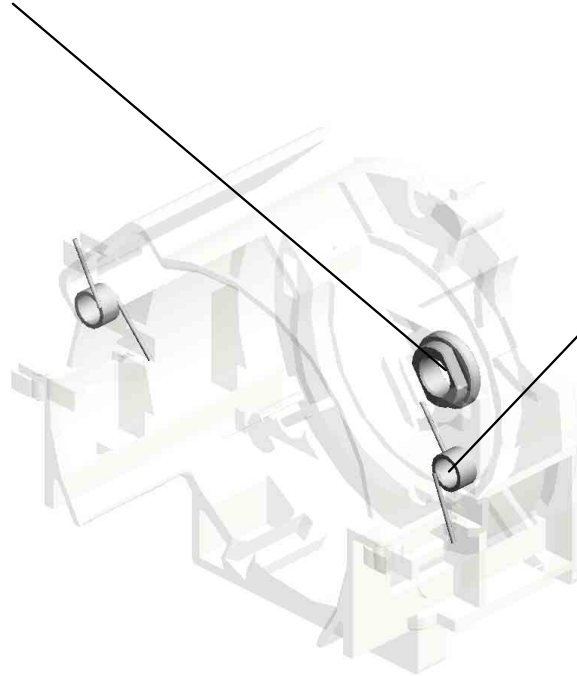
| | | | | | | | | | | | | | | | | | |
|------|------|------|------|------|------|------|------|------|------|------|------|------|------|------|------|------|------|
| U001 | U002 | U003 | U004 | U005 | U006 | U007 | U008 | U009 | U010 | U011 | U012 | U013 | U014 | U015 | U016 | U017 | U018 |
|------|------|------|------|------|------|------|------|------|------|------|------|------|------|------|------|------|------|

U007_S015
HOUSING:TONER CARTRIDGE:CMY:ASS'Y

31.D1493343
COLLAR:TONER S
UPPLY



23.D1473282
HOUSING:TONER
CARTRIDGE:CMY:
ASS'Y

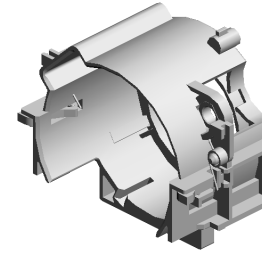


24.D1473325
(x2)
TORSION SPRING:
STOPPER:TONER
CARTRIDGE:4.8N

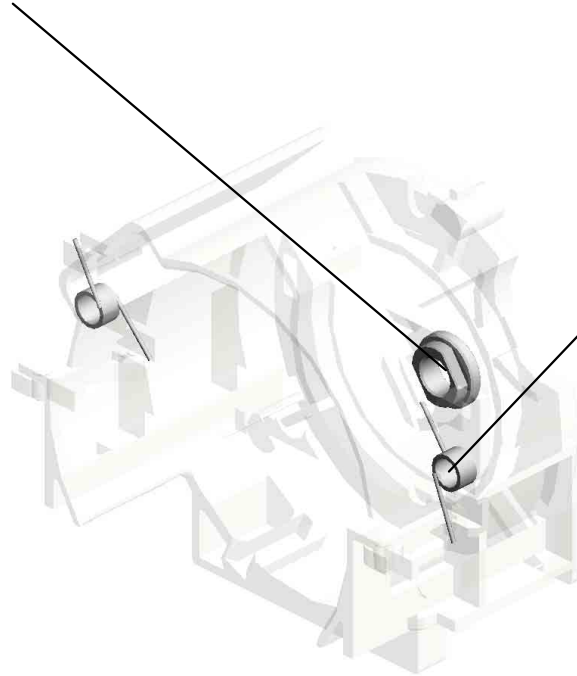
| | | | | | | | | | | | | | | | | | |
|------|------|------|------|------|------|------|------|------|------|------|------|------|------|------|------|------|------|
| U001 | U002 | U003 | U004 | U005 | U006 | U007 | U008 | U009 | U010 | U011 | U012 | U013 | U014 | U015 | U016 | U017 | U018 |
|------|------|------|------|------|------|------|------|------|------|------|------|------|------|------|------|------|------|

U007_S016
HOUSING:TONER CARTRIDGE:CMY:ASS'Y

31.D1493343
COLLAR:TONER S
UPPLY



23.D1473282
HOUSING:TONER
CARTRIDGE:CMY:
ASS'Y

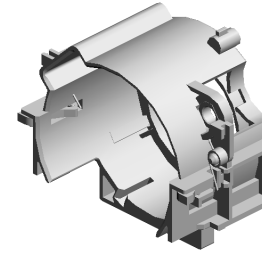


24.D1473325
(x2)
TORSION SPRING:
STOPPER:TONER
CARTRIDGE:4.8N

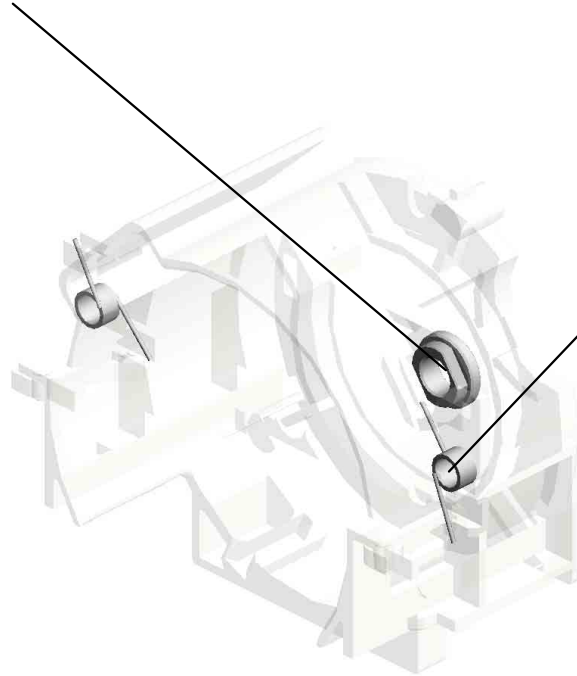
| | | | | | | | | | | | | | | | | | |
|------|------|------|------|------|------|------|------|------|------|------|------|------|------|------|------|------|------|
| U001 | U002 | U003 | U004 | U005 | U006 | U007 | U008 | U009 | U010 | U011 | U012 | U013 | U014 | U015 | U016 | U017 | U018 |
|------|------|------|------|------|------|------|------|------|------|------|------|------|------|------|------|------|------|

U007_S017
HOUSING:TONER CARTRIDGE:CMY:ASS'Y

31.D1493343
COLLAR:TONER S
UPPLY



23.D1473282
HOUSING:TONER
CARTRIDGE:CMY:
ASS'Y



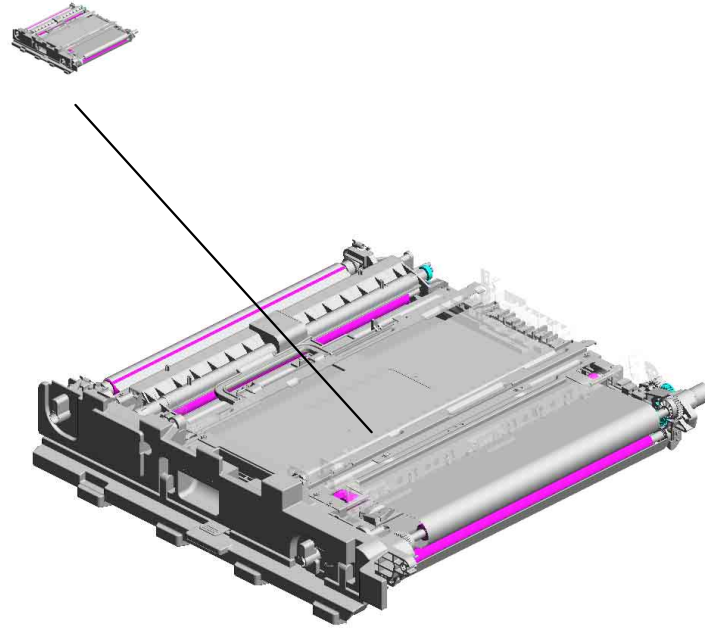
24.D1473325
(x2)
TORSION SPRING:
STOPPER:TONER
CARTRIDGE:4.8N



| | | | | | | | | | | | | | | | | | |
|------|------|------|------|------|------|------|------|------|------|------|------|------|------|------|------|------|------|
| U001 | U002 | U003 | U004 | U005 | U006 | U007 | U008 | U009 | U010 | U011 | U012 | U013 | U014 | U015 | U016 | U017 | U018 |
|------|------|------|------|------|------|------|------|------|------|------|------|------|------|------|------|------|------|

U008.ITB UNIT

U008 S001
D0BQ6009
(EU/CHN/TWN/AA/KOR):TRA
NSFER UNIT:INTERMEDIATE
TRANSFER:IMC2000-6000



| | | | | | | | | | | | | | | | | | |
|------|------|------|------|------|------|------|-------------|------|------|------|------|------|------|------|------|------|------|
| U001 | U002 | U003 | U004 | U005 | U006 | U007 | U008 | U009 | U010 | U011 | U012 | U013 | U014 | U015 | U016 | U017 | U018 |
|------|------|------|------|------|------|------|-------------|------|------|------|------|------|------|------|------|------|------|

U008_S001.(EU/CHN/TWN/AA/KOR):TRANSFER UNIT:INTERMEDIATE TRANSFER:IMC20

U008 S001 S003
D0BQ6141
CLEANING UNIT:BELT CLEANING:ASSY

U008 S001 S004
D0BQ6130
TONER OUTLET UNIT:BELT CLEANING:SERVICE PARTS

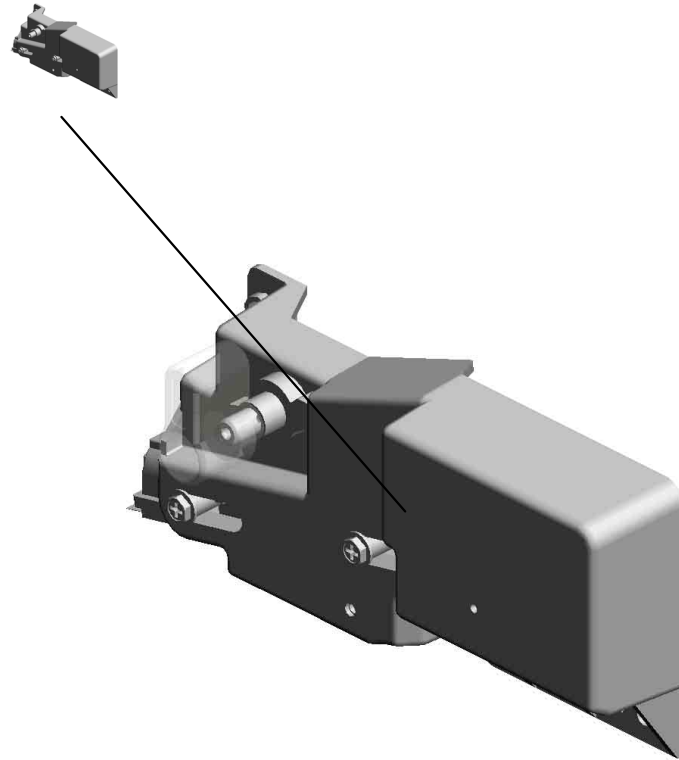
U008 S001 S001
D0BQ6004
TRANSFER UNIT:INTERMEDIATE TRANSFER:ASS'Y

U008 S001 S002
D0BQ6019
COVER:INTERMEDIATE TRANSFER:FRONT:ASS'Y

| | | | | | | | | | | | | | | | | | |
|------|------|------|------|------|------|------|-------------|------|------|------|------|------|------|------|------|------|------|
| U001 | U002 | U003 | U004 | U005 | U006 | U007 | U008 | U009 | U010 | U011 | U012 | U013 | U014 | U015 | U016 | U017 | U018 |
|------|------|------|------|------|------|------|-------------|------|------|------|------|------|------|------|------|------|------|

U008_S001_S004.TONER OUTLET UNIT:BELT CLEANING:SERVICE PARTS

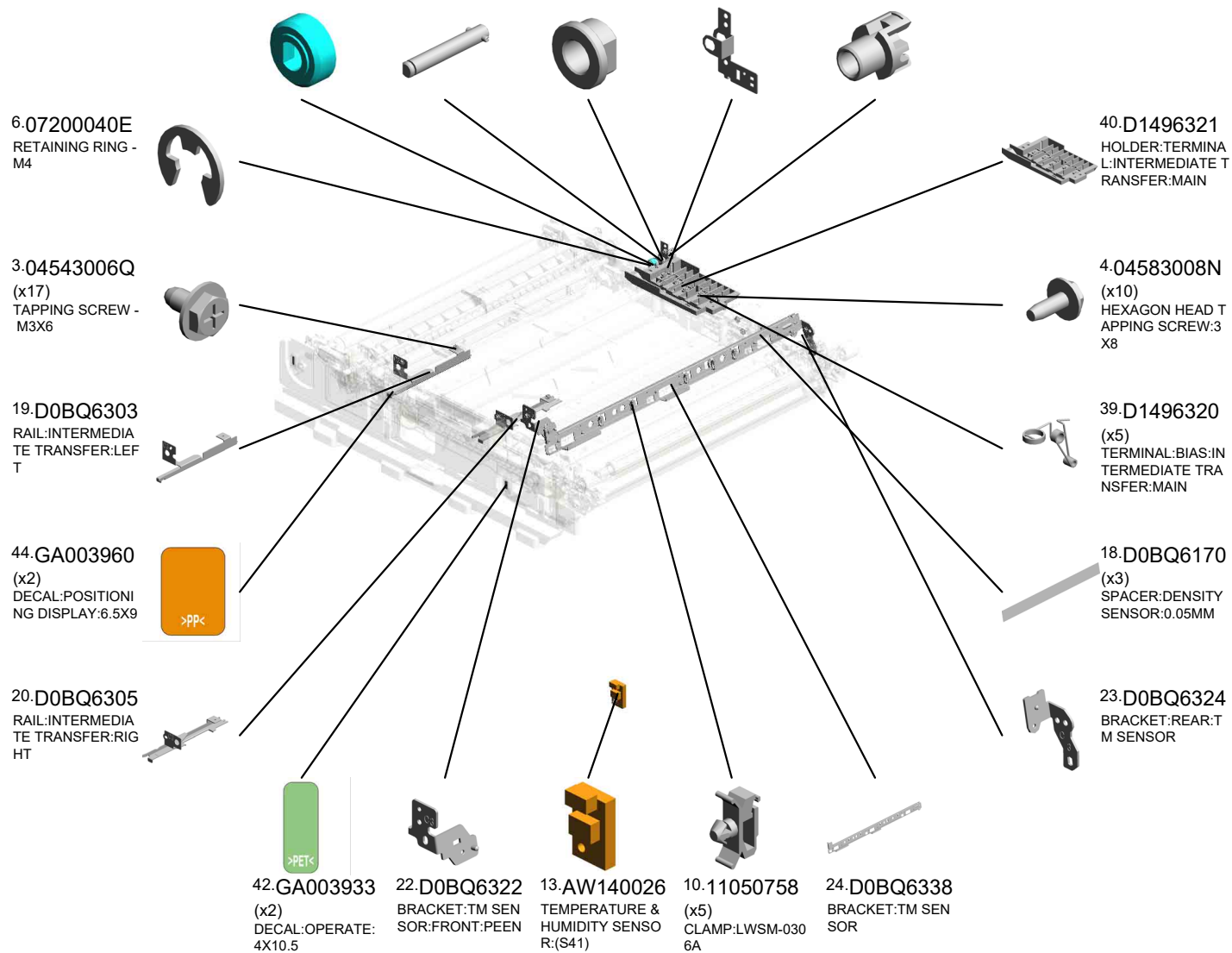
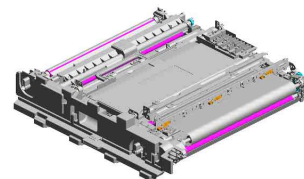
U008 S001 S004 S001
D0E36180
TONER OUTLET UNIT:BELT
CLEANING:ASSY



| | | | | | | | | | | | | | | | | | |
|------|------|------|------|------|------|------|-------------|------|------|------|------|------|------|------|------|------|------|
| U001 | U002 | U003 | U004 | U005 | U006 | U007 | U008 | U009 | U010 | U011 | U012 | U013 | U014 | U015 | U016 | U017 | U018 |
|------|------|------|------|------|------|------|-------------|------|------|------|------|------|------|------|------|------|------|

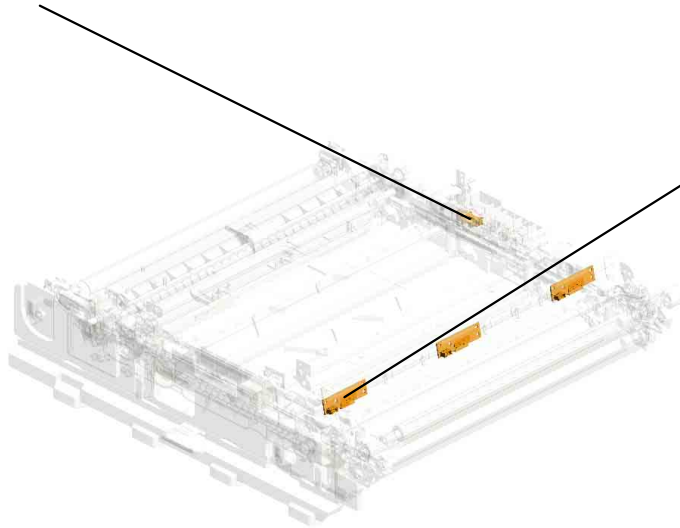
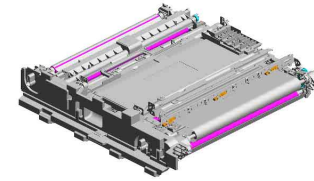
U008 ITB UNIT

21.D0BQ6311 GEAR:ON-OFF:COLLAR:OUTPUT:HS
 36.D1496309 SHAFT:ON-OFF:COLLAR:MAIN
 11.AA082101 (x2) BUSHING - 6X10X6
 37.D1496310 BRACKET:ON-OFF:COLLAR
 38.D1496312 JOINT:ON-OFF:COLLAR



U008
ITB UNIT

49.AW020234
PHOTOINTERRUP
TOR:GP1A173LCS
5F:(S2/S6/S7/S11/S
13/S15/S23/S25/S3
2)



47.GW010009
(x3)
DENSITY SENSOR:
(S48)



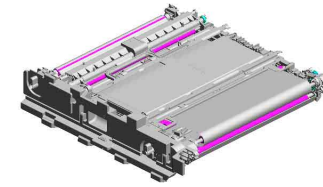
| | | | | | | | | | | | | | | | | | |
|------|------|------|------|------|------|------|-------------|------|------|------|------|------|------|------|------|------|------|
| U001 | U002 | U003 | U004 | U005 | U006 | U007 | U008 | U009 | U010 | U011 | U012 | U013 | U014 | U015 | U016 | U017 | U018 |
|------|------|------|------|------|------|------|-------------|------|------|------|------|------|------|------|------|------|------|

U008_S001

(EU/CHN/TWN/AA/KOR):TRANSFER UNIT:INTERMEDIATE TRANSFER:IMC2000-6000

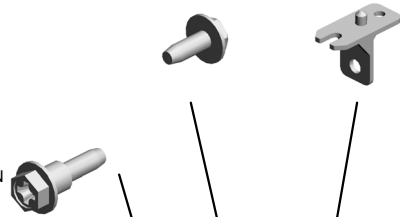
4.04583008N (x10)
HEXAGON HEAD TAPPING SCREW:3X8

30.D1496172
BRACKET:BELT CLAMPING:FRONT



56.D0BQ6009
[A]
(EU/CHN/TWN/AA/KOR):TRANSFER UNIT:INTERMEDIATE TRANSFER:IMC202111-01 O/O

25.D1175916
STEPPED SCREW:M3X8:SECOND KIND

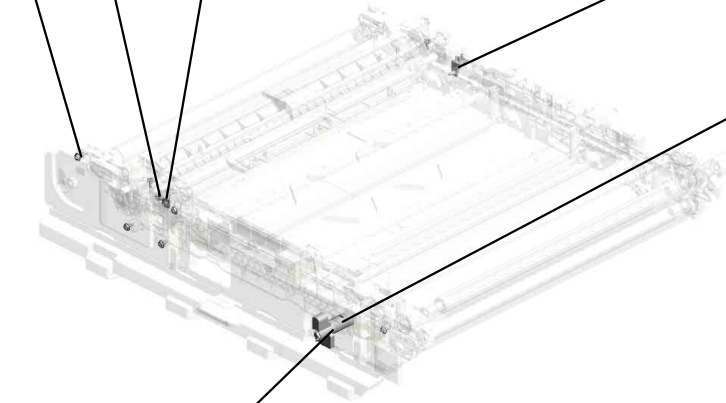


31.D1496173
BRACKET:BELT CLAMPING:REAR

1.03603006N(x 1)
SCREW - M3X6



1.03603006N
SCREW - M3X6



54.D0BQ6038
LEVER:ON-OFF:BK



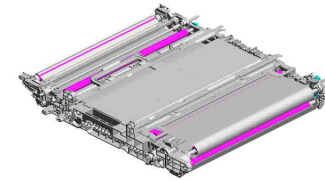
D0BQ6007
[A]
(EU/CHN/TWN/AA/KOR):TRANSFER UNIT:INTERMEDIATE TRANSFER:IMC202111-01 O/O

| | | | | | | | | | | | | | | | | | |
|------|------|------|------|------|------|------|-------------|------|------|------|------|------|------|------|------|------|------|
| U001 | U002 | U003 | U004 | U005 | U006 | U007 | U008 | U009 | U010 | U011 | U012 | U013 | U014 | U015 | U016 | U017 | U018 |
|------|------|------|------|------|------|------|-------------|------|------|------|------|------|------|------|------|------|------|

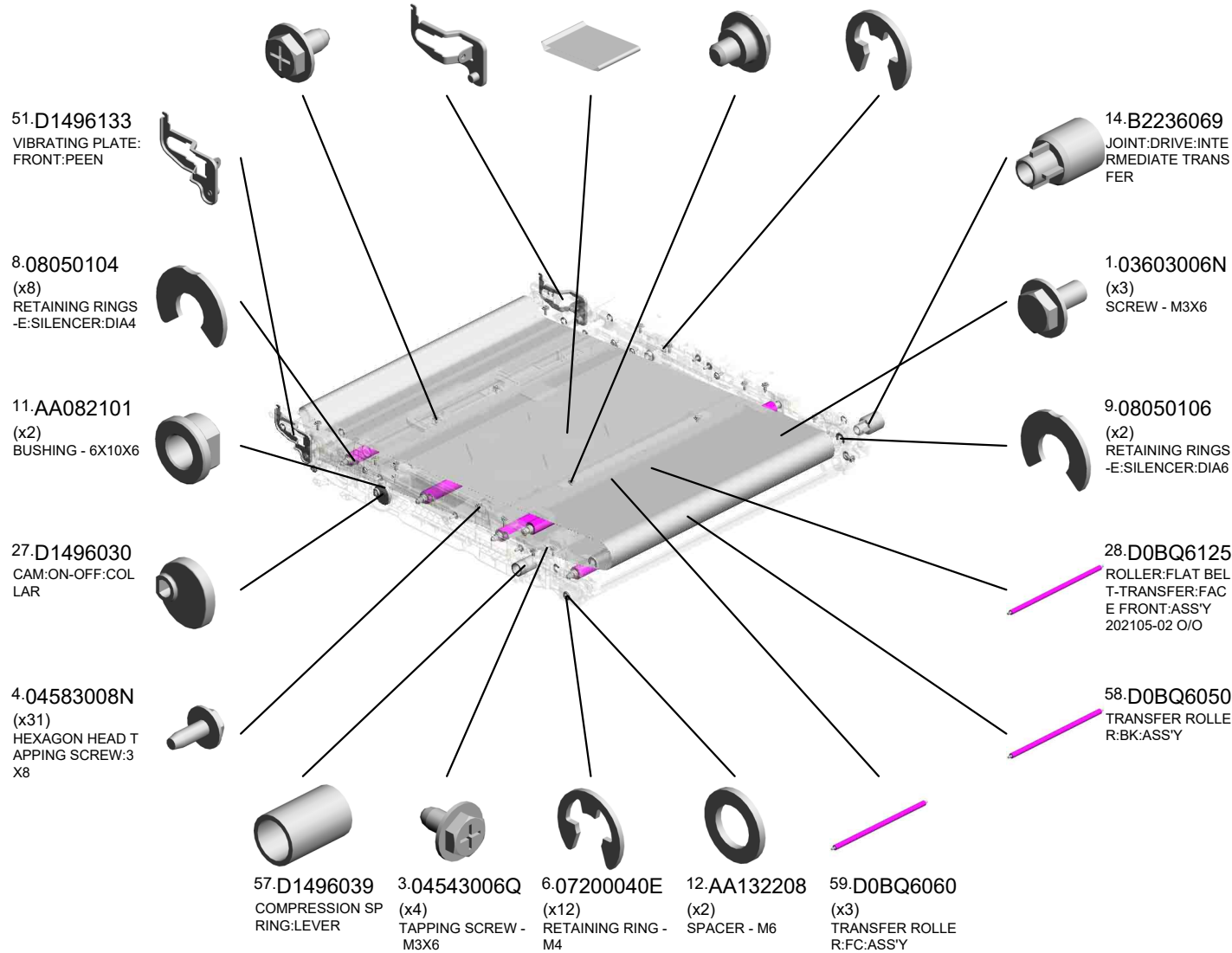
U008_S001_S001

TRANSFER UNIT:INTERMEDIATE TRANSFER:ASS'Y

- 2.04513006N (x2) TAPPING SCREW - 3X6
- 52.D1496136 VIBRATING PLATE: REAR:PEEN
- 41.D0E36097 FLAT BELT-TRANSFER:INTERMEDIATE TRANSFER-SR 202301-01 O/O
- 26.D1441085 (x2) STEPPED SCREW: M3
- 5.07200030E RETAINING RING - M3



- 15.D0BQ6004 [A] TRANSFER UNIT:INTERMEDIATE TRANSFER:ASS'Y 202110-03 O/O

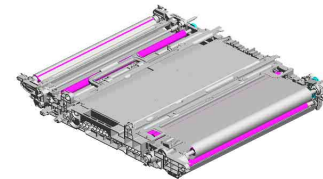


| | | | | | | | | | | | | | | | | | |
|------|------|------|------|------|------|------|------|------|------|------|------|------|------|------|------|------|------|
| U001 | U002 | U003 | U004 | U005 | U006 | U007 | U008 | U009 | U010 | U011 | U012 | U013 | U014 | U015 | U016 | U017 | U018 |
|------|------|------|------|------|------|------|------|------|------|------|------|------|------|------|------|------|------|

U008_S001_S001

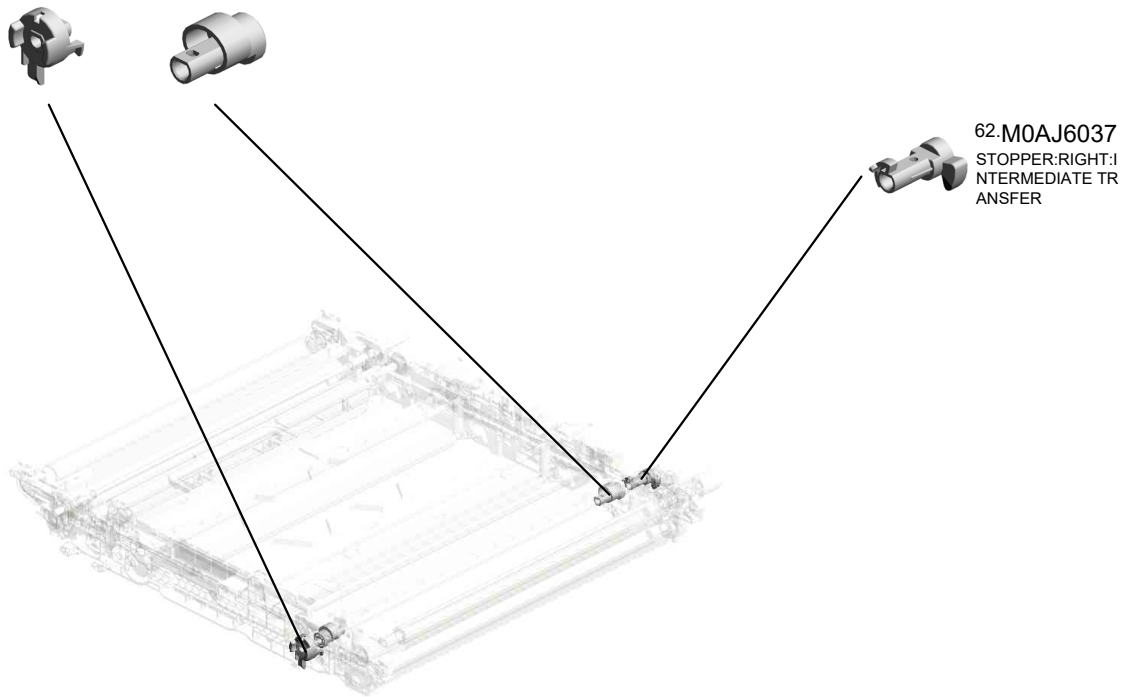
TRANSFER UNIT:INTERMEDIATE TRANSFER:ASS'Y

60.D0BQ6360 61.M0AJ6036
LEVER:ON-OFF:BK (x2)
:MIDDLE CAM:ON-OFF:BK



15.D0BQ6004

[A]
TRANSFER UNIT:INTERMEDIATE TRANSFER:ASS'Y
202110-03 O/O



D0BQ6001

[A]
TRANSFER UNIT:INTERMEDIATE TRANSFER:ASS'Y
202110-03 O/O

| | | | | | | | | | | | | | | | | | |
|------|------|------|------|------|------|------|-------------|------|------|------|------|------|------|------|------|------|------|
| U001 | U002 | U003 | U004 | U005 | U006 | U007 | U008 | U009 | U010 | U011 | U012 | U013 | U014 | U015 | U016 | U017 | U018 |
|------|------|------|------|------|------|------|-------------|------|------|------|------|------|------|------|------|------|------|

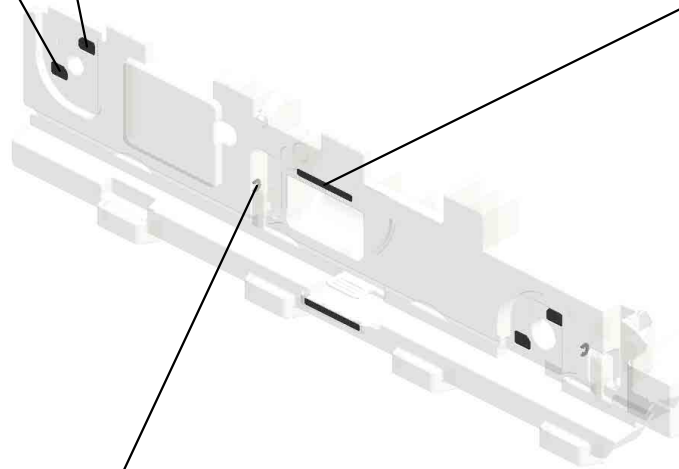
U008_S001_S002

COVER:INTERMEDIATE TRANSFER:FRONT:ASS'Y

45.GA003993
(x2)
DECAL:LEVER:FIX



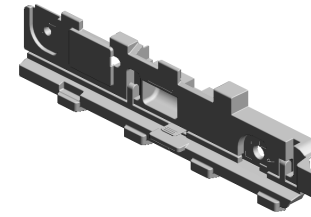
46.GA003994
(x2)
DECAL:LEVER:REL
EASE



43.GA003934
(x2)
DECAL:OPERATE:
4X41



7.08050103
(x2)
RETAINING RINGS
-E:SILENCER:DIA3



53.D0BQ6019
COVER:INTERMED
IATE TRANSFER:F
RONT:ASS'Y

| | | | | | | | | | | | | | | | | | |
|------|------|------|------|------|------|------|-------------|------|------|------|------|------|------|------|------|------|------|
| U001 | U002 | U003 | U004 | U005 | U006 | U007 | U008 | U009 | U010 | U011 | U012 | U013 | U014 | U015 | U016 | U017 | U018 |
|------|------|------|------|------|------|------|-------------|------|------|------|------|------|------|------|------|------|------|

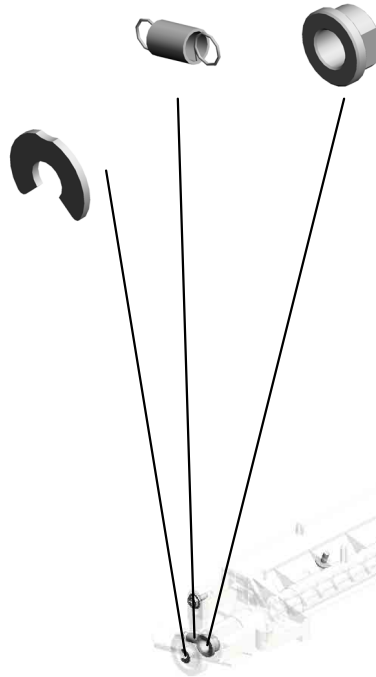
U008_S001_S003

CLEANING UNIT:BELT CLEANING:ASS'Y

29.D1496163 11.AA082101
TENSION SPRING: (x2)
SHUTTER:BELT CL BUSHING - 6X10X6
EAINING



7.08050103
RETAINING RINGS
-E:SILENCER:DIA3



4.04583008N
(x2)
HEXAGON HEAD TAPPING SCREW:3X8



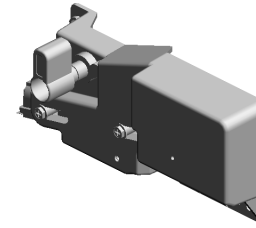
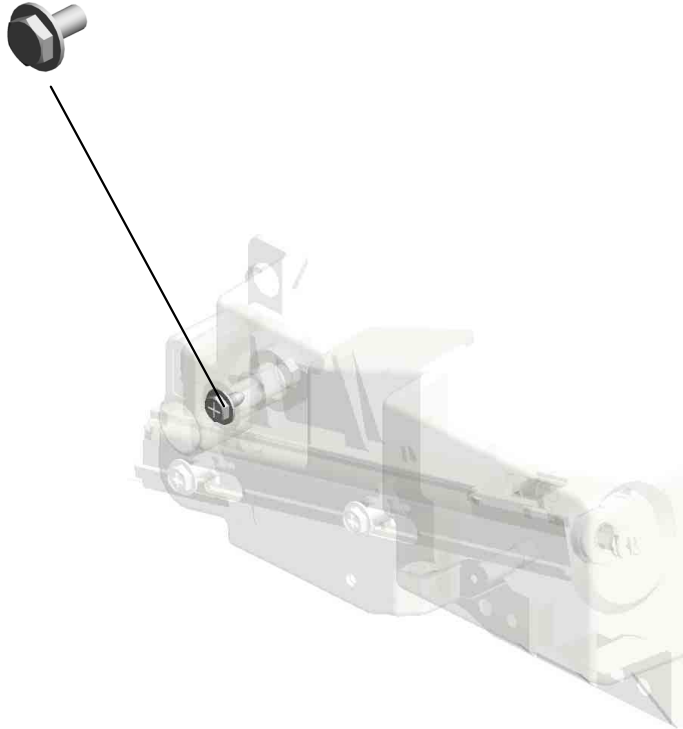
1.03603006N
(x3)
SCREW - M3X6



| | | | | | | | | | | | | | | | | | |
|------|------|------|------|------|------|------|-------------|------|------|------|------|------|------|------|------|------|------|
| U001 | U002 | U003 | U004 | U005 | U006 | U007 | U008 | U009 | U010 | U011 | U012 | U013 | U014 | U015 | U016 | U017 | U018 |
|------|------|------|------|------|------|------|-------------|------|------|------|------|------|------|------|------|------|------|

U008_S001_S004
TONER OUTLET UNIT:BELT CLEANING:SERVICE PARTS

1-03603006N
SCREW - M3X6



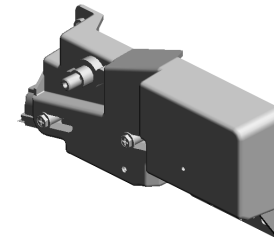
50.D0BQ6130
[A]
TONER OUTLET U
NIT:BELT CLEANIN
G:SERVICE PARTS
201904-02 X/O



M0AJ6175
[A]
TONER OUTLET U
NIT:BELT CLEANIN
G:ASS'Y
201904-02 X/O

| | | | | | | | | | | | | | | | | | |
|------|------|------|------|------|------|------|------|------|------|------|------|------|------|------|------|------|------|
| U001 | U002 | U003 | U004 | U005 | U006 | U007 | U008 | U009 | U010 | U011 | U012 | U013 | U014 | U015 | U016 | U017 | U018 |
|------|------|------|------|------|------|------|------|------|------|------|------|------|------|------|------|------|------|

U008_S001_S004_S001
 TONER OUTLET UNIT:BELT CLEANING:ASS'Y

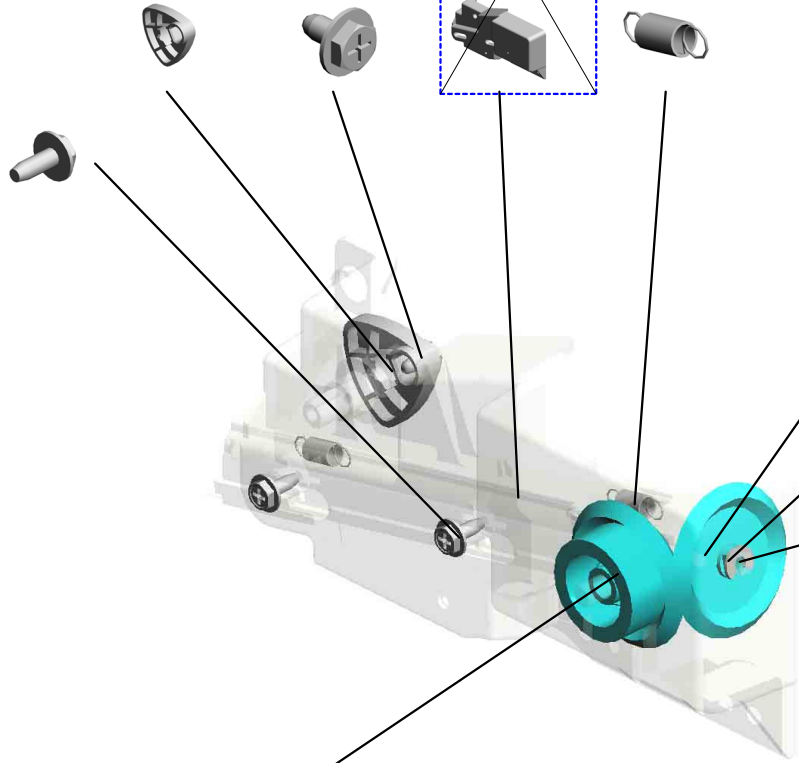


63.D0E36180
 TONER OUTLET U
 NIT:BELT CLEANIN
 G:ASS'Y

- 35.D1496195 CAM:DISCHARGE USED TONER
- 3.04543006Q TAPPING SCREW - M3X6
- 32.D1496177 ~~HOLDER:DISCHARGE USED TONER: ASS'Y 202302.14~~
- 29.D1496163 (x2) TENSION SPRING: SHUTTER:BELT CLEANING



4.04583008N (x2) HEXAGON HEAD TAPPING SCREW:3 X8



11.AA082101 BUSHING - 6X10X6

34.D1496190 GEAR:DISCHARGE USED TONER

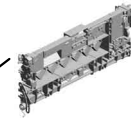
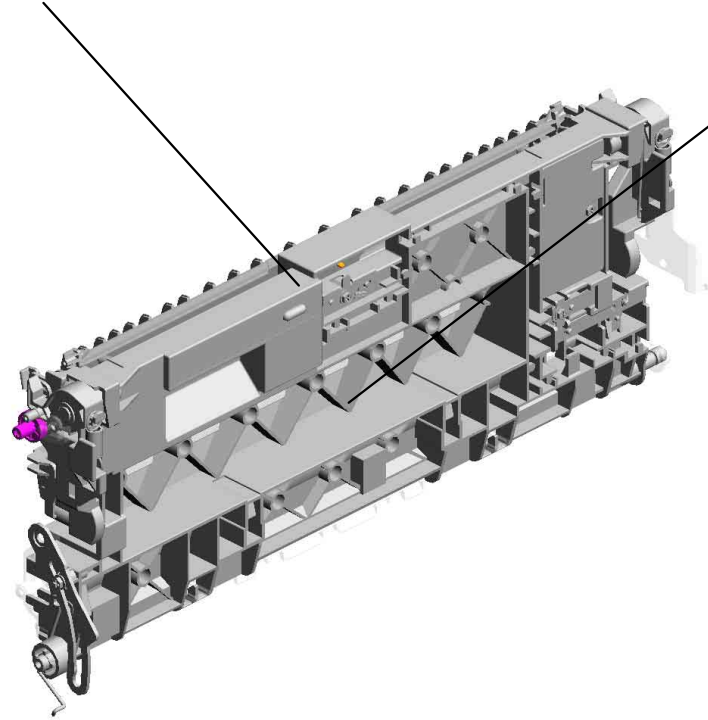
7.08050103 RETAINING RINGS -E:SILENCER:DIA3

33.D1496179 GEAR:IDLER:DISCHARGE USED TONER

| | | | | | | | | | | | | | | | | | |
|------|------|------|------|------|------|------|------|------|------|------|------|------|------|------|------|------|------|
| U001 | U002 | U003 | U004 | U005 | U006 | U007 | U008 | U009 | U010 | U011 | U012 | U013 | U014 | U015 | U016 | U017 | U018 |
|------|------|------|------|------|------|------|------|------|------|------|------|------|------|------|------|------|------|

U009.TRANSFER/SEPARATION

U009 S002
D0BQ6212
TRANSFER ROLLER:SECON
D:ASSY

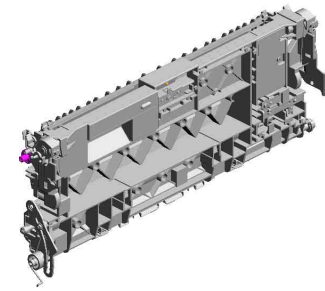


U009 S001
D0BQ6215
GUIDE PLATE:TRANSFER:S
ECOND:ASSY

| | | | | | | | | | | | | | | | | | |
|------|------|------|------|------|------|------|------|------|------|------|------|------|------|------|------|------|------|
| U001 | U002 | U003 | U004 | U005 | U006 | U007 | U008 | U009 | U010 | U011 | U012 | U013 | U014 | U015 | U016 | U017 | U018 |
|------|------|------|------|------|------|------|------|------|------|------|------|------|------|------|------|------|------|

U009 TRANSFER/SEPARATION

38.D1496290 GUIDE:SET:TRANSFER/SEPARATION UNIT:FRONT
 22.D1492586 GUIDE:REGISTRATION:FRONT RIGHT
 42.D2412583 REGISTRATION ROLLER:DRIVE
 39.D1496291 GUIDE:SET:TRANSFER/SEPARATION UNIT:REAR
 2.04543008Q (x2) TAPPING SCREW: 3X8



9.54472681
SNAP RING



5.07200040E
(x3)
RETAINING RING - M4



4.07200030E
(x2)
RETAINING RING - M3



11.AA063943
(x2)
COMPRESSION SPRING:GUIDE PLATE:REGISTRATION: 4N



3.04583008N
(x2)
HEXAGON HEAD TAPPING SCREW:3 X8



19.D0E32582 GUIDE PLATE:REGISTRATION:FRONT RIGHT
202306-05 O/O

21.D1492585 GUIDE:REGISTRATION:REAR RIGHT

12.AA080346 (x2)
BUSHING:FLANGE TYPE:DIA6

23.D0E32990 PLAIN SHAFT BEARING:DRIVE:REGISTRATION ROLLER
202303-05 O/O

10.AA063942 COMPRESSION SPRING:REGISTRATION:DRIVE

40.D1496295 COVER:HARNESS:TRANSFER/SEPARATION UNIT

20.D1492584 (x2)
COLLAR:SHAFT:REGISTRATION ROLLER

14.AB011571 GEAR:Z19:DRIVE:REGISTRATION

8.52152621 SNAP RING - M6

13.AA082144 BUSHING - 8X12X7

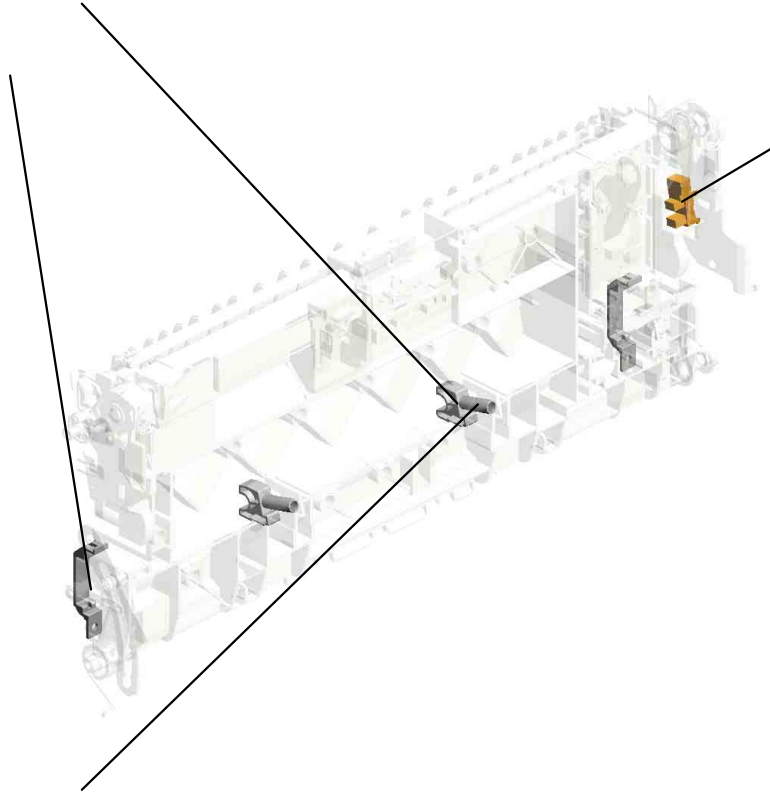
| | | | | | | | | | | | | | | | | | |
|------|------|------|------|------|------|------|------|------|------|------|------|------|------|------|------|------|------|
| U001 | U002 | U003 | U004 | U005 | U006 | U007 | U008 | U009 | U010 | U011 | U012 | U013 | U014 | U015 | U016 | U017 | U018 |
|------|------|------|------|------|------|------|------|------|------|------|------|------|------|------|------|------|------|

U009 TRANSFER/SEPARATION

43.D2412991
(x2)
PLAIN SHAFT BEA
RING:INNER:DRIV
E:REGISTRATION
ROLLER



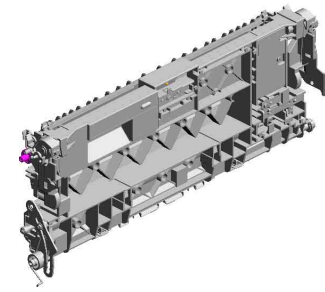
44.D2412993
(x2)
STOPPER:REGIST
RATION ROLLER



57.AW020234
PHOTOINTERRUP
TOR:GP1A173LCS
5F:(S2/S6/S7/S11/S
13/S15/S23/S25/S3
2)



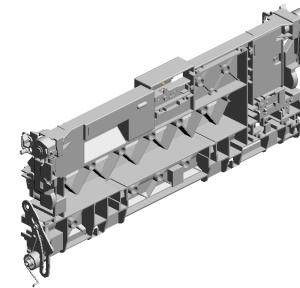
45.D2412994
(x2)
COMPRESSION SP
RING:REGISTRATI
ON:INNER:DRIVE



| | | | | | | | | | | | | | | | | | |
|------|------|------|------|------|------|------|------|------|------|------|------|------|------|------|------|------|------|
| U001 | U002 | U003 | U004 | U005 | U006 | U007 | U008 | U009 | U010 | U011 | U012 | U013 | U014 | U015 | U016 | U017 | U018 |
|------|------|------|------|------|------|------|------|------|------|------|------|------|------|------|------|------|------|

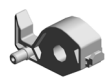
U009_S001
GUIDE PLATE:TRANSFER:SECOND:ASS'Y

- 36.D1496254 DECAL:GRIP:B:LOWER
- 41.D2026255 DECAL:GRIP:B
- 35.D1496248 CAP:LED
- 24.D1494662 DIFFUSION PLATE:LED
- 15.AW010147 PHOTO REFLECTI ON SENSOR:(S1/S27)



18.D0BQ6215
GUIDE PLATE:TRA NSFER:SECOND:A SS'Y

25.D1496226
LEVER:TRANSFER /SEPARATION UNI T:FRONT



27.D1496228
TORSION SPRING: LEVER:SET:FRON T



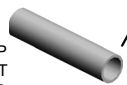
28.D1496229
(x2)
TENSION SPRING: LEVER:SET



26.D1496227
LEVER:SET:FRON T



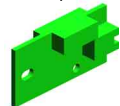
32.D1496242
(x2)
COMPRESSION SP RING:PRESSURE:T RANSFER ROLLER



1.04543006Q
TAPPING SCREW - M3X6



16.D0BQ5100
PCB:DIODE



33.D1496243
RECEIVE PLATE:C OMPRESSION SPR ING:TRANSFER R OLLER



34.D1496245
GROUND PLATE:T RANSFER/SEPARA TION UNIT



37.D1496257
GROUND PLATE:R EGISTRATION ROL LER



29.D1496231
LEVER:TRANSFER /SEPARATION UNI T:REAR



6.07200060E
(x2)
RETAINING RING - M6



31.D1496233
TORSION SPRING: LEVER:SET:REAR



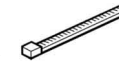
30.D1496232
LEVER:SET:REAR



3.04583008N
(x6)
HEXAGON HEAD T APPING SCREW:3 X8

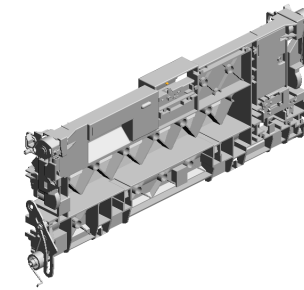


7.11050046
(x6)
HARNESS BAND



U009_S001
GUIDE PLATE:TRANSFER:SECOND:ASS'Y

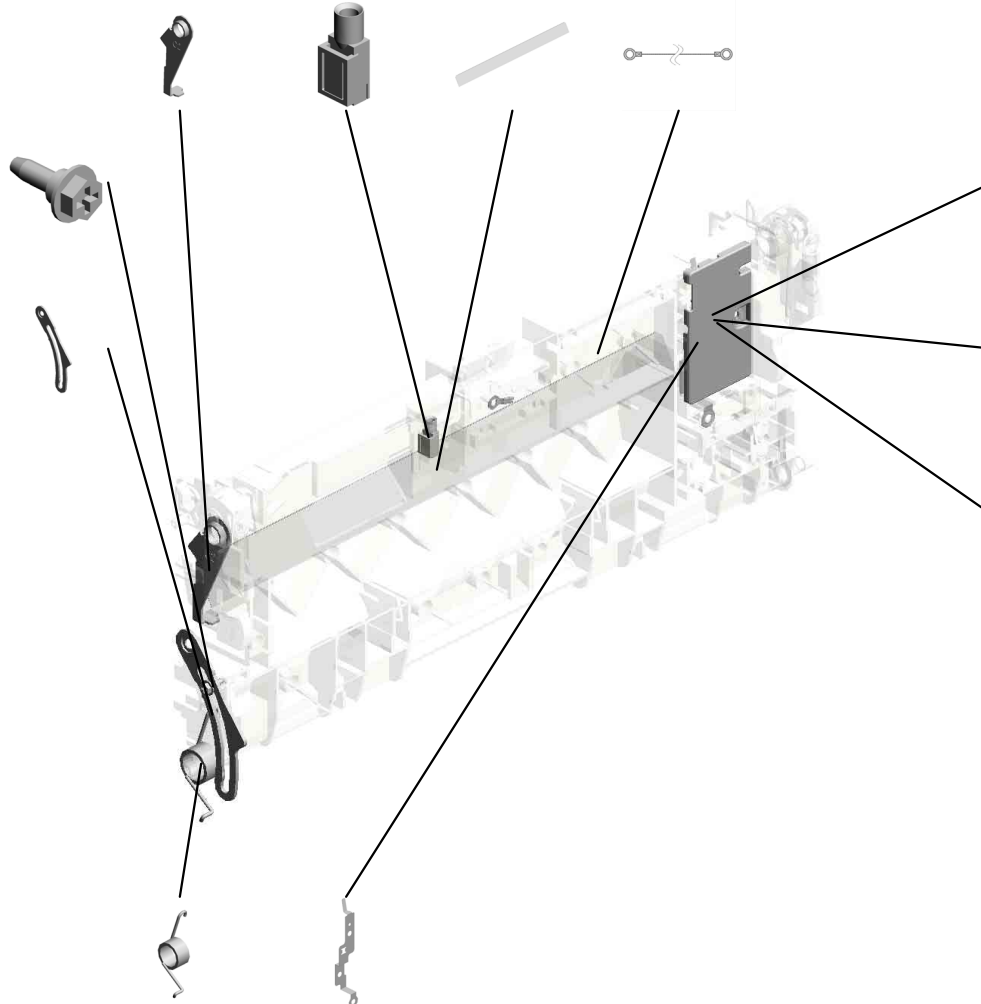
- 46.D2416240 LEVER:PRESSURE :TRANSFER ROLL ER:FRONT:DIA19.5
- 53.D2416290 LED:RED
- 52.D2416275 SHEET:ENTRANCE :TRANSFER
- 49.D2416250 GROUND WIRE:BRACKET:ENTRANCE SENSOR



18.D0BQ6215
GUIDE PLATE:TRANSFER:SECOND:ASS'Y

54.GA143003
SCREW:MM5:2.5MM

56.M0BW6246
LINK:TRANSFER/SEPARATION UNIT:MO



48.D2416244
GROUND PLATE:SEPARATION

47.D2416241
LEVER:PRESSURE :TRANSFER ROLL ER:REAR:DIA19.5

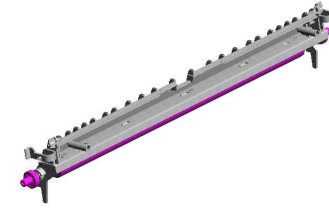
51.D2416258
COVER:TRANSFER/SEPARATION UNIT

- 55.M0BW6228 TORSION SPRING:SEPARATION/TRANSPORT:28N
- 50.D2416256 GROUND PLATE:GUIDE:TRANSPORT

| | | | | | | | | | | | | | | | | | |
|------|------|------|------|------|------|------|------|------|------|------|------|------|------|------|------|------|------|
| U001 | U002 | U003 | U004 | U005 | U006 | U007 | U008 | U009 | U010 | U011 | U012 | U013 | U014 | U015 | U016 | U017 | U018 |
|------|------|------|------|------|------|------|------|------|------|------|------|------|------|------|------|------|------|

U009_S002
TRANSFER ROLLER:SECOND:ASS'Y

5-07200040E
RETAINING RING -
M4



17-D0BQ6212
TRANSFER ROLLE
R:SECOND:ASSY



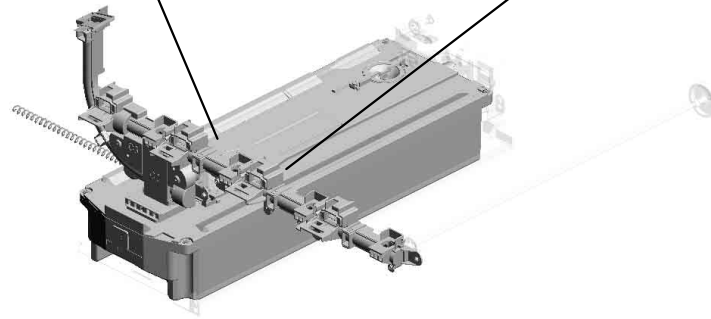
| | | | | | | | | | | | | | | | | | |
|------|------|------|------|------|------|------|------|------|------|------|------|------|------|------|------|------|------|
| U001 | U002 | U003 | U004 | U005 | U006 | U007 | U008 | U009 | U010 | U011 | U012 | U013 | U014 | U015 | U016 | U017 | U018 |
|------|------|------|------|------|------|------|------|------|------|------|------|------|------|------|------|------|------|

U010.USED TONER

U010 S002
D0BQ6511
PIPE:ASS'Y



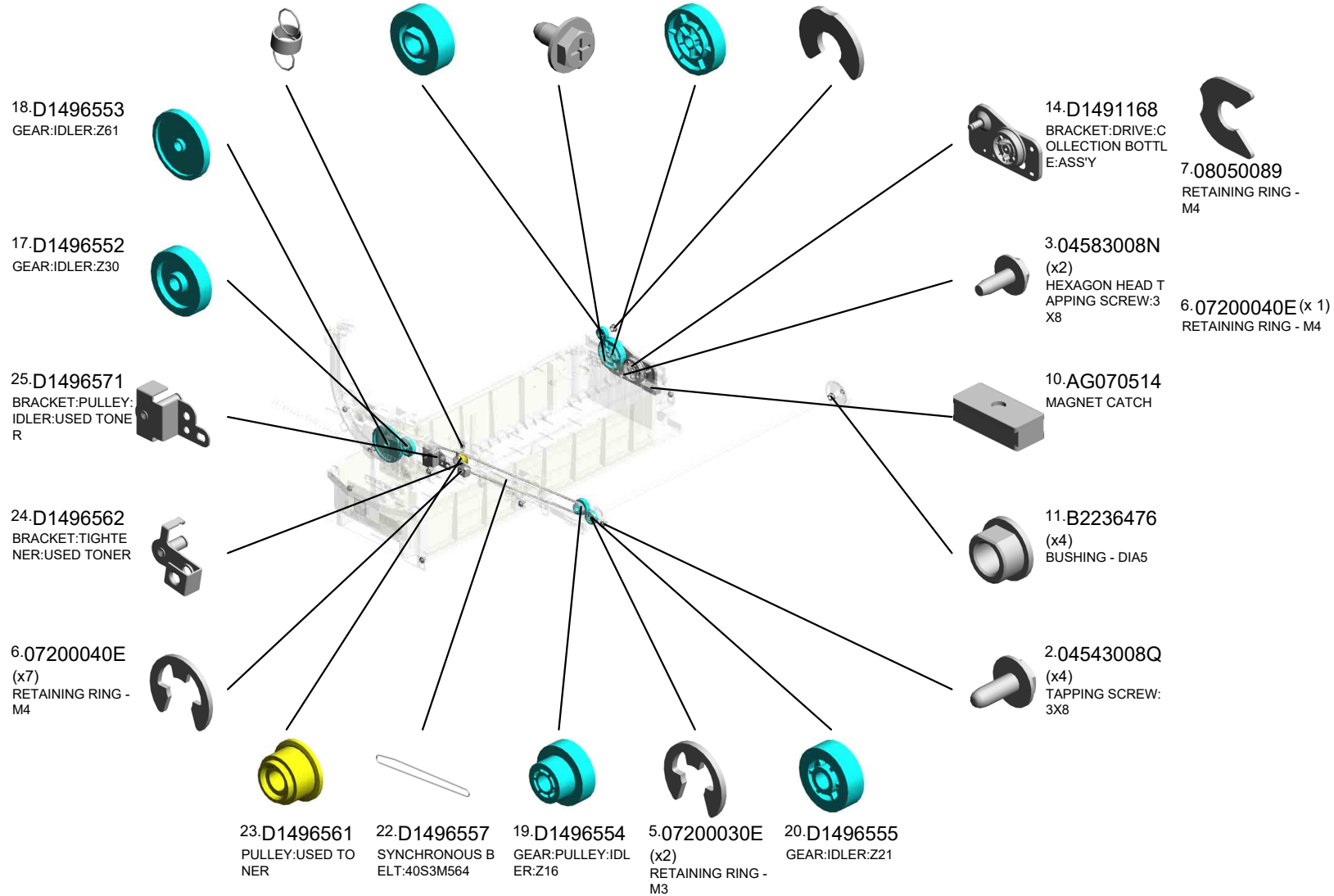
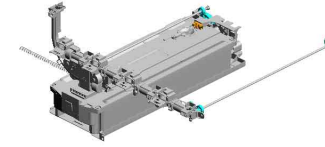
U010 S001
D0BQ6400
COLLECTION BOTTLE:ASS'Y



| | | | | | | | | | | | | | | | | | |
|------|------|------|------|------|------|------|------|------|------|------|------|------|------|------|------|------|------|
| U001 | U002 | U003 | U004 | U005 | U006 | U007 | U008 | U009 | U010 | U011 | U012 | U013 | U014 | U015 | U016 | U017 | U018 |
|------|------|------|------|------|------|------|------|------|------|------|------|------|------|------|------|------|------|

U010 USED TONER

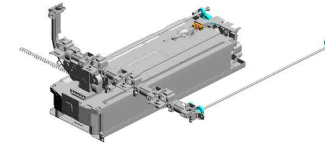
- 21.D1496556 TENSION SPRING: BELT TENSIONER
- 16.D1491174 GEAR:COLLECTION BOTTLE
- 1.04543006Q (x5) TAPPING SCREW - M3X6
- 15.D1491173 GEAR:IDLER:TONE R BOTTLE
- 8.08050103 (x4) RETAINING RINGS -E:SILENCER:DIA3



| | | | | | | | | | | | | | | | | | |
|------|------|------|------|------|------|------|------|------|------|------|------|------|------|------|------|------|------|
| U001 | U002 | U003 | U004 | U005 | U006 | U007 | U008 | U009 | U010 | U011 | U012 | U013 | U014 | U015 | U016 | U017 | U018 |
|------|------|------|------|------|------|------|------|------|------|------|------|------|------|------|------|------|------|

U010 USED TONER

27.D1496575 FLANGE:IDLER:USED TONER
 31.D1496586 SHAFT:DRIVE:USED TONER:LEFT
 35.GW020024 PHOTOINTERRUPTOR:LG2A24BL1:GF:(S34)



32.D1496587 GEAR:USED TONER:LEFT



26.D1496574 GEAR:PULLEY:IDLER:Z18



30.D1496583 GEAR:USED TONER:INPUT



28.D1496581 SHAFT:DRIVE:USED TONER:RIGHT



29.D1496582 GEAR:USED TONER:RIGHT



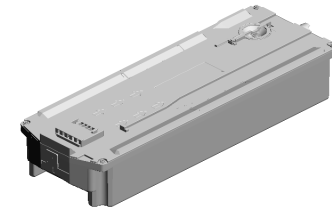
33.D1496592 RAIL:COLLECTION BOTTLE



| | | | | | | | | | | | | | | | | | |
|------|------|------|------|------|------|------|------|------|------|------|------|------|------|------|------|------|------|
| U001 | U002 | U003 | U004 | U005 | U006 | U007 | U008 | U009 | U010 | U011 | U012 | U013 | U014 | U015 | U016 | U017 | U018 |
|------|------|------|------|------|------|------|------|------|------|------|------|------|------|------|------|------|------|

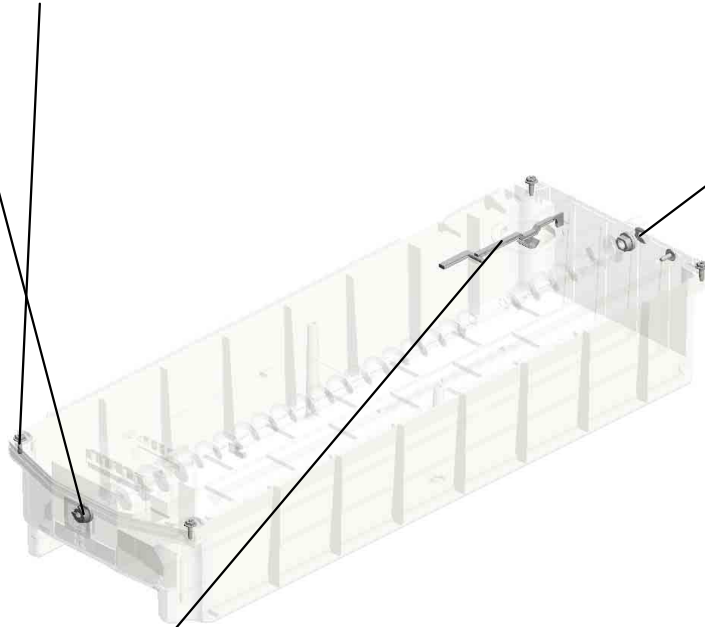
U010_S001
COLLECTION BOTTLE:ASS'Y

4.04583010N
(x5)
HEXAGON HEAD TAPPING SCREW:3 X10



12.D0BQ6400
COLLECTION BOT
TLE:ASS'Y

9.AA080346
(x2)
BUSHING:FLANGE
TYPE:DIA6



7.08050089
(x3)
RETAINING RING -
M4



34.D2426432
FEELER:COLLECTI
ON BOTTLE

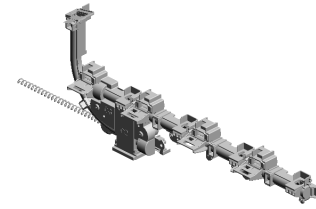
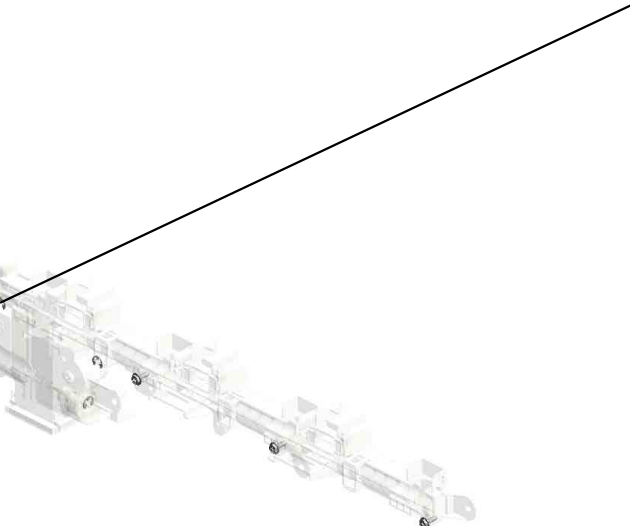
| | | | | | | | | | | | | | | | | | |
|------|------|------|------|------|------|------|------|------|------|------|------|------|------|------|------|------|------|
| U001 | U002 | U003 | U004 | U005 | U006 | U007 | U008 | U009 | U010 | U011 | U012 | U013 | U014 | U015 | U016 | U017 | U018 |
|------|------|------|------|------|------|------|------|------|------|------|------|------|------|------|------|------|------|

U010_S002
PIPE:ASS'Y

4.04583010N
(x4)
HEXAGON HEAD TAPPING SCREW:3
X10



6.07200040E
(x4)
RETAINING RING -
M4

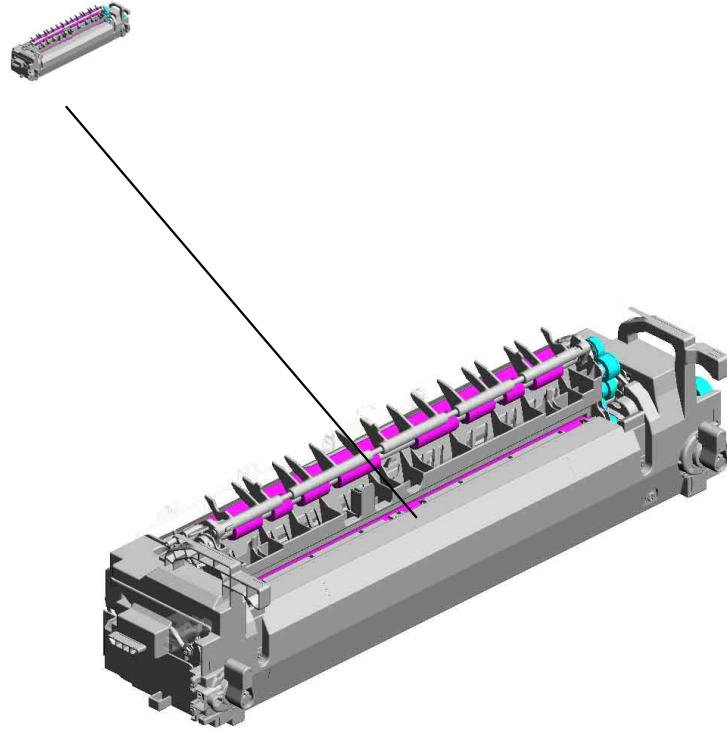


13.D0BQ6511
PIPE:ASS'Y

| | | | | | | | | | | | | | | | | | |
|------|------|------|------|------|------|------|------|------|------|------|------|------|------|------|------|------|------|
| U001 | U002 | U003 | U004 | U005 | U006 | U007 | U008 | U009 | U010 | U011 | U012 | U013 | U014 | U015 | U016 | U017 | U018 |
|------|------|------|------|------|------|------|------|------|------|------|------|------|------|------|------|------|------|

U011.FUSING

U011 S001
D0BM4022
(EU/AA/KOR/CHN):FUSING U
NIT:220-240V:IMC3000-3500



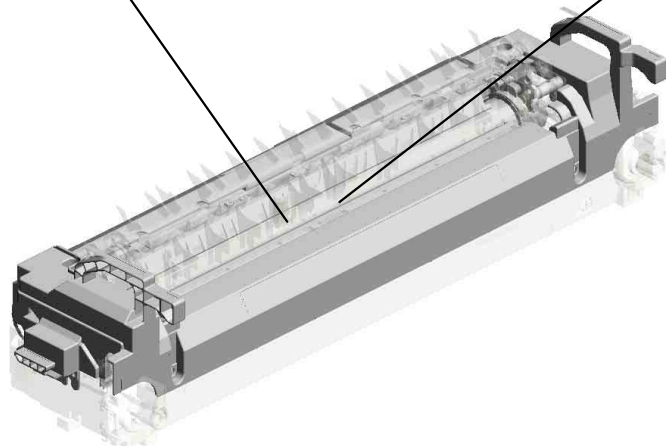
| | | | | | | | | | | | | | | | | | |
|------|------|------|------|------|------|------|------|------|------|------|------|------|------|------|------|------|------|
| U001 | U002 | U003 | U004 | U005 | U006 | U007 | U008 | U009 | U010 | U011 | U012 | U013 | U014 | U015 | U016 | U017 | U018 |
|------|------|------|------|------|------|------|------|------|------|------|------|------|------|------|------|------|------|

U011_S001.(EU/AA/KOR/CHN):FUSING UNIT:220-240V:IMC3000-3500

U011 S001 S002
D0BM4052
(EU/AA/KOR/CHN):SLEEVE:F
USING:220-240V:IMC3000-35
00



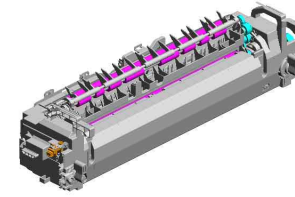
U011 S001 S001
M0AJ4261
FUSING COVER:UPPER:ASS'
Y



| | | | | | | | | | | | | | | | | | |
|------|------|------|------|------|------|------|------|------|------|------|------|------|------|------|------|------|------|
| U001 | U002 | U003 | U004 | U005 | U006 | U007 | U008 | U009 | U010 | U011 | U012 | U013 | U014 | U015 | U016 | U017 | U018 |
|------|------|------|------|------|------|------|------|------|------|------|------|------|------|------|------|------|------|

U011 FUSING

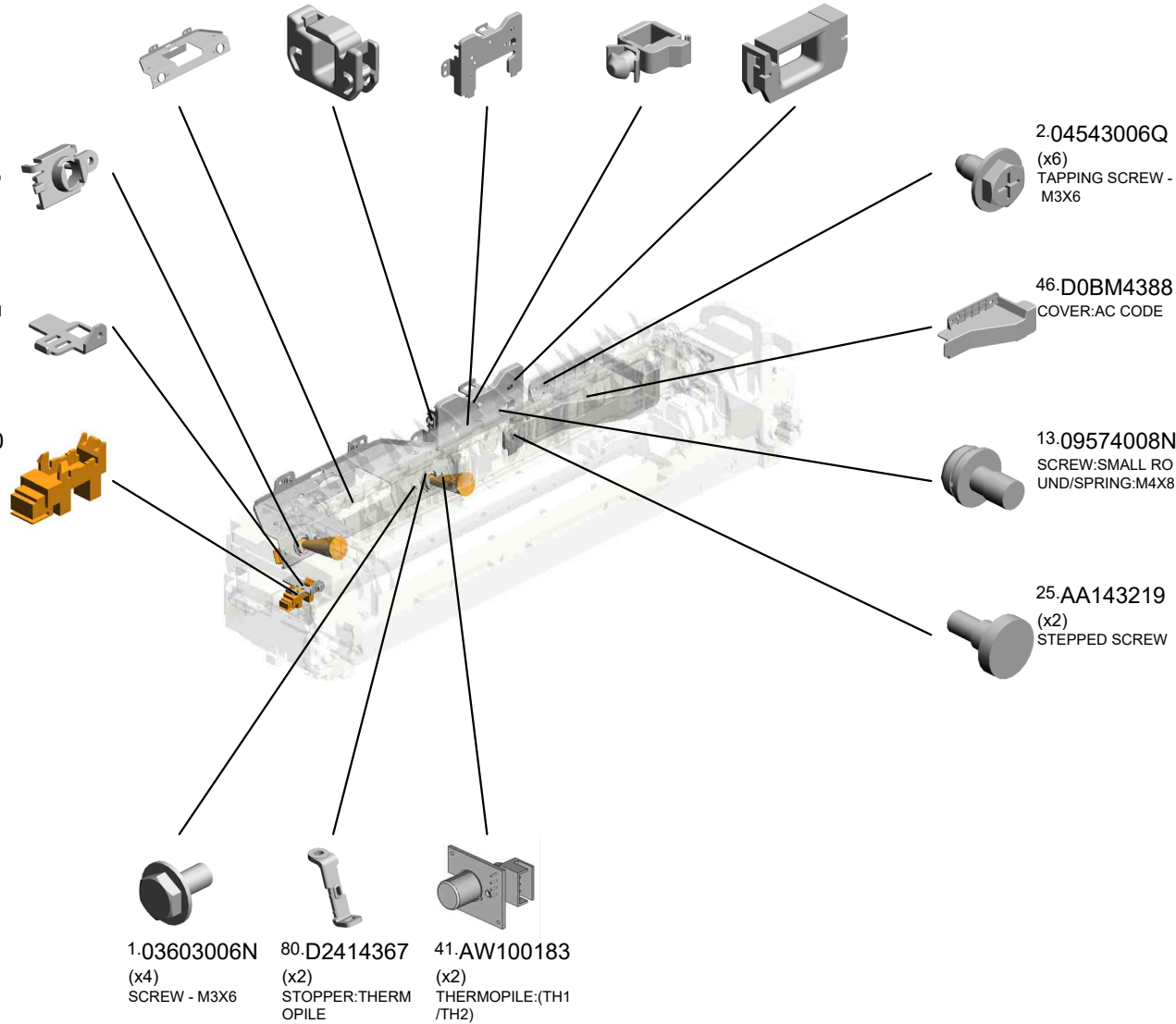
- 79.D2414366 BRACKET:THERMOPILE
- 14.11050692 CLAMP:LES-0503
- 97.D2414354 BRACKET:DRAWER:MAIN
- 17.11050759 CLAMP:LWSM-0605A
- 16.11050723 (x2) CLAMPS:WES-0507



- 78.D2414365 (x2) HOLDER:THERMOPILE

- 55.D1494371 BRACKET:PHOTOINTERRUPTOR

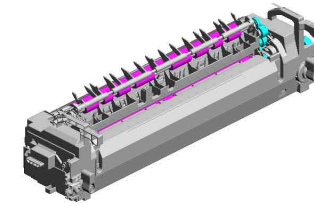
- 37.AW020190 PHOTOINTERRUPTOR:(S26)



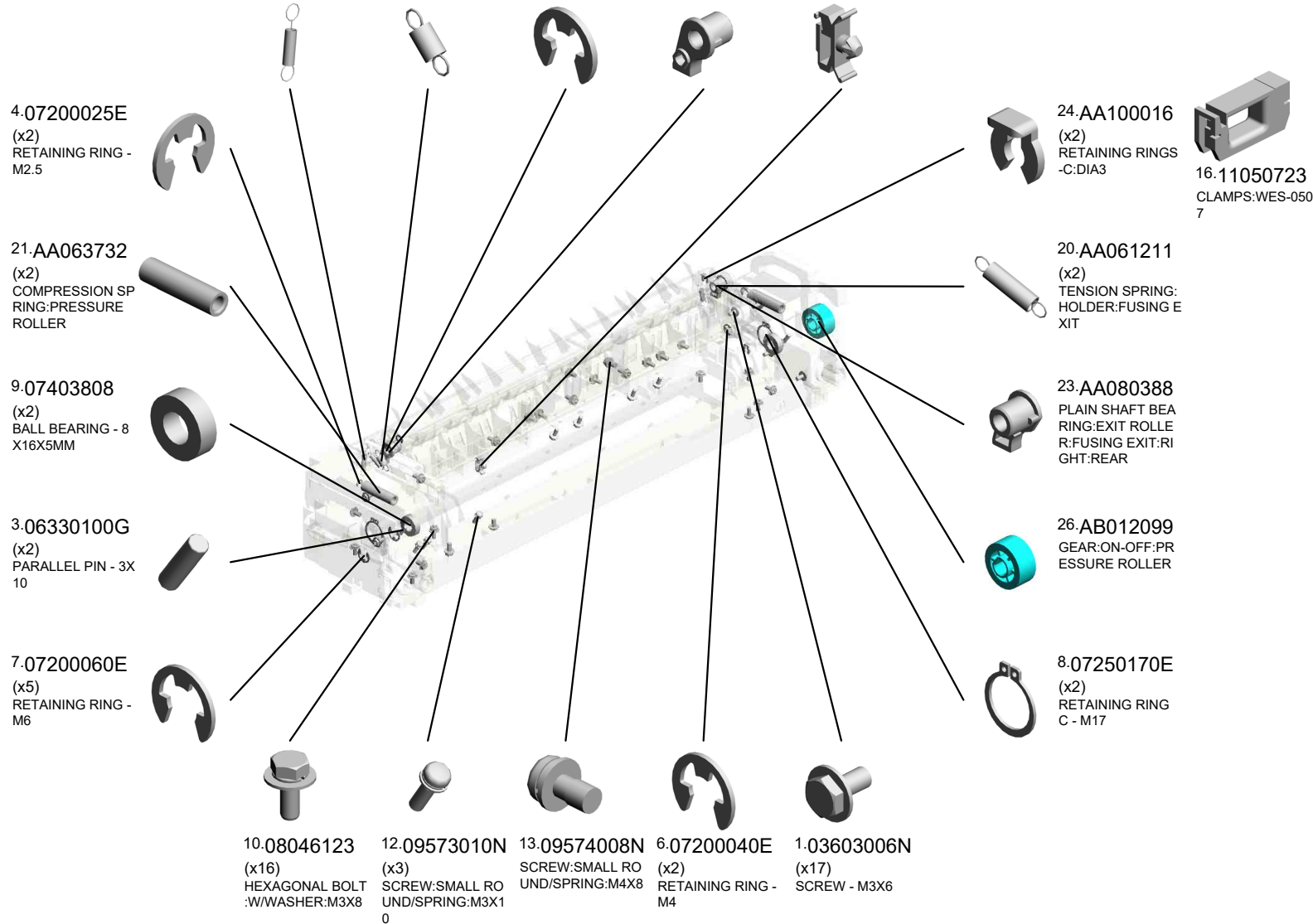
| | | | | | | | | | | | | | | | | | |
|------|------|------|------|------|------|------|------|------|------|------|------|------|------|------|------|------|------|
| U001 | U002 | U003 | U004 | U005 | U006 | U007 | U008 | U009 | U010 | U011 | U012 | U013 | U014 | U015 | U016 | U017 | U018 |
|------|------|------|------|------|------|------|------|------|------|------|------|------|------|------|------|------|------|

U011_S001
 (EU/AA/KOR/CHN):FUSING UNIT:220-240V:IMC3000-3500

- 18.AA061208 (x2) TENSION SPRING: STRIPPER PLATE
- 19.AA061209 TENSION SPRING: GATE PAWL
- 5.07200030E (x3) RETAINING RING - M3
- 22.AA080387 PLAIN SHAFT BEARING:EXIT ROLLER:FUSING EXIT:RIGHT:FRONT
- 15.11050713 CLAMP:LWSM-030 6H GRAY



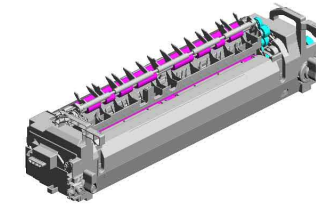
44.D0BM4022
 (EU/AA/KOR/CHN):
 FUSING UNIT:220-240V:
 IMC3000-3500



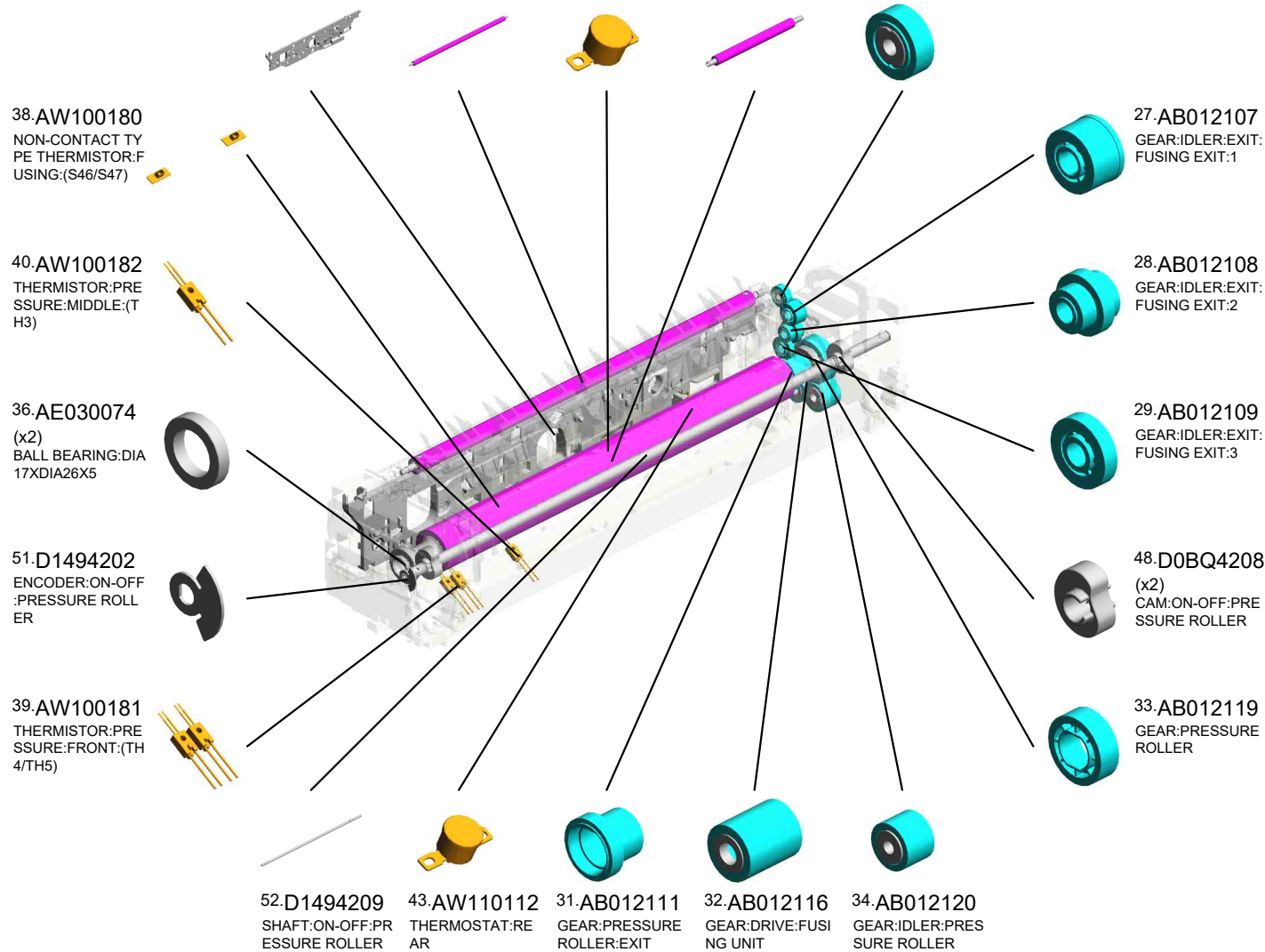
| | | | | | | | | | | | | | | | | | |
|------|------|------|------|------|------|------|------|------|------|------|------|------|------|------|------|------|------|
| U001 | U002 | U003 | U004 | U005 | U006 | U007 | U008 | U009 | U010 | U011 | U012 | U013 | U014 | U015 | U016 | U017 | U018 |
|------|------|------|------|------|------|------|------|------|------|------|------|------|------|------|------|------|------|

U011_S001
(EU/AA/KOR/CHN):FUSING UNIT:220-240V:IMC3000-3500

49.D0BQ4317 GUIDE:HARNESS: DRAWER:PRESS FIT
 47.D0BQ4102 DRIVEN ROLLER: FUSING EXIT:ASSY
 42.AW110111 THERMOSTAT:MIDDLE
 35.AE020282 PRESSURE ROLLER:DIA32 202209-01 O/O
 30.AB012110 GEAR:EXIT ROLLER:FUSING EXIT:RIGHT

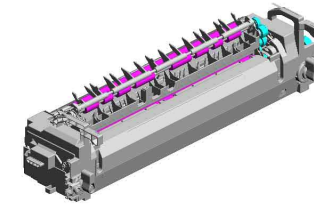


44.D0BM4022
(EU/AA/KOR/CHN):
FUSING UNIT:220-240V:IMC3000-3500



U011_S001
 (EU/AA/KOR/CHN):FUSING UNIT:220-240V:IMC3000-3500

- 59.D2414108 GUIDE:FUSING EXIT:LEFT
- 70.D2414219 DECAL:C:GUIDE PLATE:FUSING EXIT
- 71.D2414221 STRIPPER PLATE:FUSING EXIT:ASS'Y
- 68.D2414212 GATE PAWL:FUSING EXIT
- 69.D2414215 GUIDE:FUSING EXIT:RIGHT:ASS'Y



44.D0BM4022
 (EU/AA/KOR/CHN):
 FUSING UNIT:220-240V:IMC3000-3500



57.D2414023
 HOLDER:DRIVEN ROLLER:FUSING EXIT:FRONT



62.D2414122
 INNER COVER:PRESSURE ROLLER:FRONT



65.D2414140
 HOLDER:PRESSURE:FRONT:ASS'Y



64.D2414137
 LEVER:PRESSURE:FRONT:PEEN



53.D1494235
 (x15)
 STEPPED SCREW:M3



60.D2414113
 BRACKET:THERMOSTOR:PRESSURE ROLLER



72.D2414252
 FUSING ENTRANCE GUIDE PLATE



56.D2394262
 FUSING COVER:LOWER



54.D1494335
 ELECTRODE PLATE:CONNECTING:THERMOSTAT



73.D2414332
 HOUSING:THERMOSTAT



58.D2414024
 HOLDER:DRIVEN ROLLER:FUSING EXIT:REAR



66.D2414155
 HOLDER:PRESSURE:REAR:ASS'Y



67.D2414160
 LEVER:PRESSURE:REAR:PEEN



63.D2414123
 DISCHARGE BRUSH:PRESSURE ROLLER

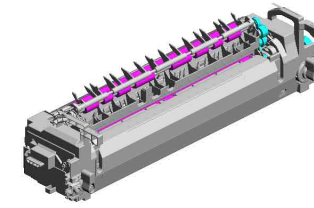


61.D2414121
 INNER COVER:PRESSURE ROLLER:REAR



U011_S001
 (EU/AA/KOR/CHN):FUSING UNIT:220-240V:IMC3000-3500

77.D2414342 HOUSING:NON-CO
 NTA CT TYPE THE
 RMISTOR
 76.D2414338 TERMINAL:THERM
 OSTAT:HEATER
 74.D2414334 COVER:HOUSING:
 THERMOSTAT
 75.D2414337 TERMINAL:THERM
 OSTAT:DRAWER

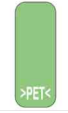


44.D0BM4022
 (EU/AA/KOR/CHN):
 FUSING UNIT:220-2
 40V:IMC3000-3500

92.M0AJ4279
 HOOK:FUSING:FR
 ONT



91.M0AJ4278
 COVER:LEVER:FU
 SING:FRONT



85.GA003933
 (x2)
 DECAL:OPERATE:
 4X10.5

90.M0AJ4273
 (x2)
 LEVER:FUSING



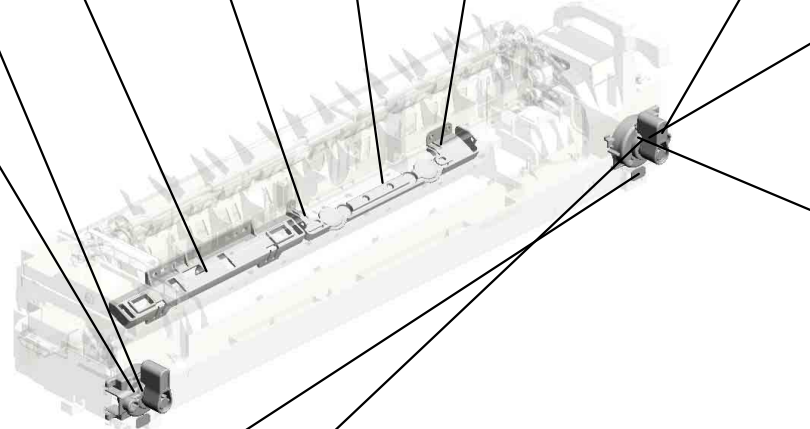
88.M0AJ4271
 COVER:LEVER:FU
 SING:REAR



84.GA003932
 (x2)
 DECAL:LEVER:REL
 EASE



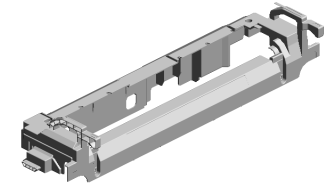
89.M0AJ4272
 HOOK:FUSING:RE
 AR



| | | | | | | | | | | | | | | | | | |
|------|------|------|------|------|------|------|------|------|------|------|------|------|------|------|------|------|------|
| U001 | U002 | U003 | U004 | U005 | U006 | U007 | U008 | U009 | U010 | U011 | U012 | U013 | U014 | U015 | U016 | U017 | U018 |
|------|------|------|------|------|------|------|------|------|------|------|------|------|------|------|------|------|------|

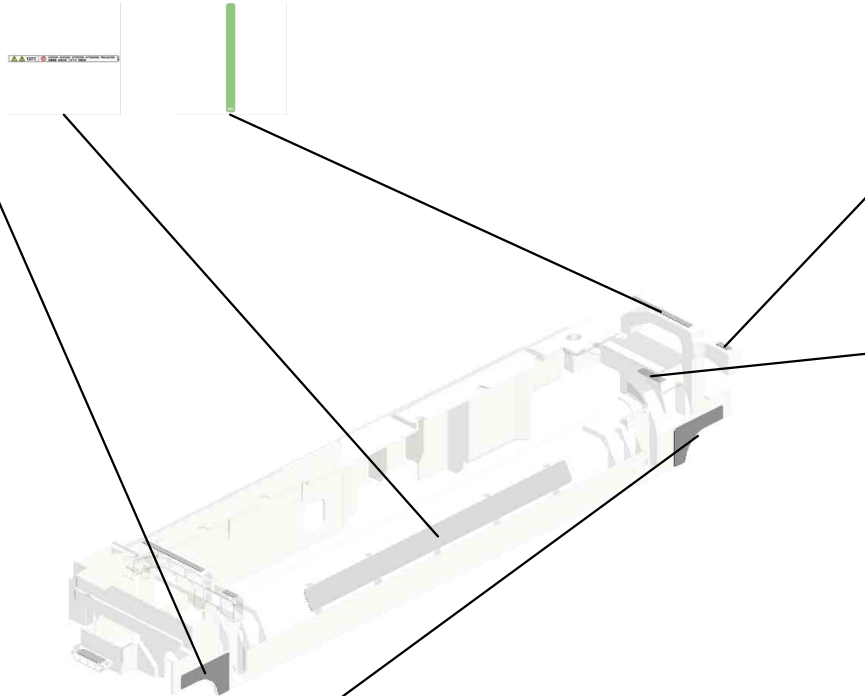
U011_S001_S001
 FUSING COVER:UPPER:ASS'Y

50.D1124264 81.GA003929
 DECAL:WARNING ((x2)
 HIGH TEMPERATU DECAL:OPERATE:
 RE):FUSING 4X27



87.M0AJ4261
 FUSING COVER:U
 PPER:ASS'Y

82.GA003930
 DECAL:LEVER:FR
 ONT:FUSING



85.GA003933
 (x2)
 DECAL:OPERATE:
 4X10.5



86.GA003957
 (x2)
 DECAL:POSITIONI
 NG DISPLAY:FUSI
 NG

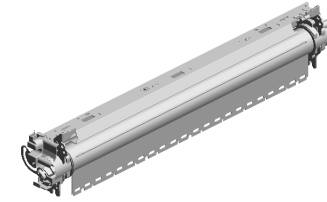


83.GA003931
 DECAL:LEVER:RE
 AR:FUSING

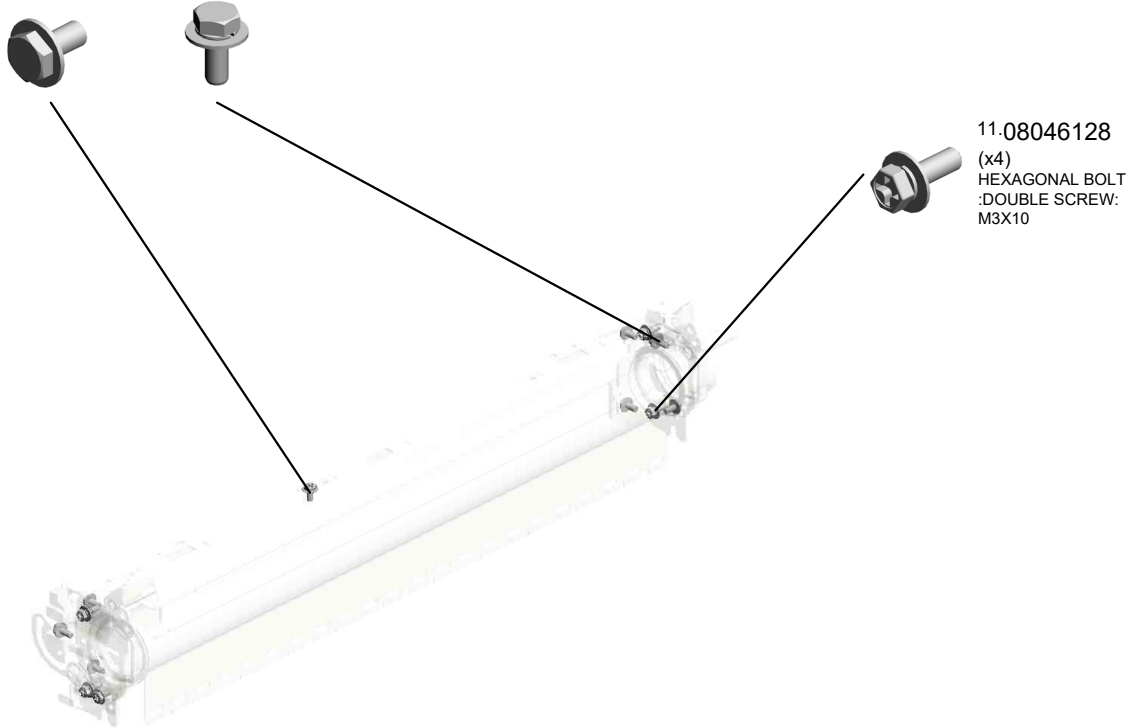
| | | | | | | | | | | | | | | | | | |
|------|------|------|------|------|------|------|------|------|------|------|------|------|------|------|------|------|------|
| U001 | U002 | U003 | U004 | U005 | U006 | U007 | U008 | U009 | U010 | U011 | U012 | U013 | U014 | U015 | U016 | U017 | U018 |
|------|------|------|------|------|------|------|------|------|------|------|------|------|------|------|------|------|------|

U011_S001_S002
(EU/AA/KOR/CHN):SLEEVE:FUSING:220-240V:IMC3000-3500

1.03603006N 10.08046123
(x7) (x2)
SCREW - M3X6 HEXAGONAL BOLT
:WASHER:M3X8



45.D0BM4052
(EU/AA/KOR/CHN):
SLEEVE:FUSING:2
20-240V:IMC3000-3
500

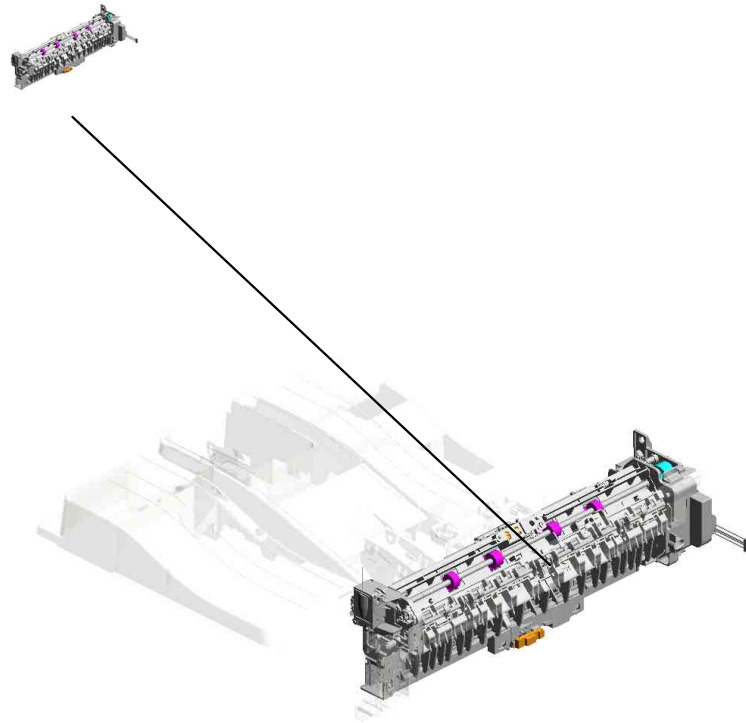


11.08046128
(x4)
HEXAGONAL BOLT
:DOUBLE SCREW:
M3X10

| | | | | | | | | | | | | | | | | | |
|------|------|------|------|------|------|------|------|------|------|------|------|------|------|------|------|------|------|
| U001 | U002 | U003 | U004 | U005 | U006 | U007 | U008 | U009 | U010 | U011 | U012 | U013 | U014 | U015 | U016 | U017 | U018 |
|------|------|------|------|------|------|------|------|------|------|------|------|------|------|------|------|------|------|

U012.PAPER EXIT

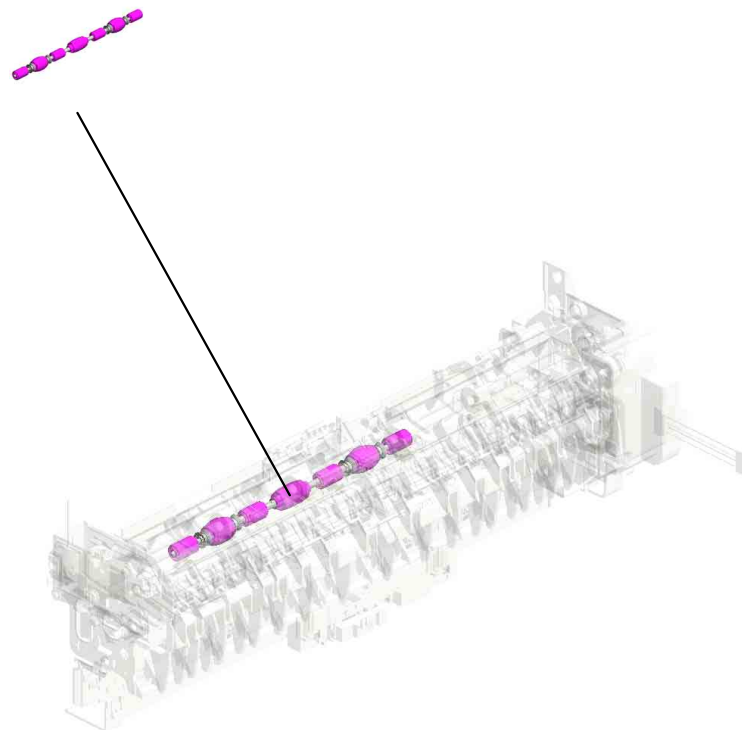
U012 S001
D0E34404
PAPER EXIT UNIT:ASSY



| | | | | | | | | | | | | | | | | | |
|------|------|------|------|------|------|------|------|------|------|------|------|------|------|------|------|------|------|
| U001 | U002 | U003 | U004 | U005 | U006 | U007 | U008 | U009 | U010 | U011 | U012 | U013 | U014 | U015 | U016 | U017 | U018 |
|------|------|------|------|------|------|------|------|------|------|------|------|------|------|------|------|------|------|

U012_S001.PAPER EXIT UNIT:ASS'Y

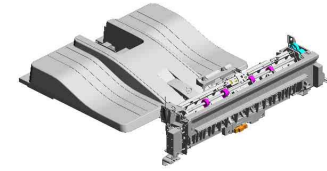
U012 S001 S001
D2414950
ROLLER:EXIT:PRESSURE:2T
YPE:ASS'Y



| | | | | | | | | | | | | | | | | | |
|------|------|------|------|------|------|------|------|------|------|------|------|------|------|------|------|------|------|
| U001 | U002 | U003 | U004 | U005 | U006 | U007 | U008 | U009 | U010 | U011 | U012 | U013 | U014 | U015 | U016 | U017 | U018 |
|------|------|------|------|------|------|------|------|------|------|------|------|------|------|------|------|------|------|

U012 PAPER EXIT

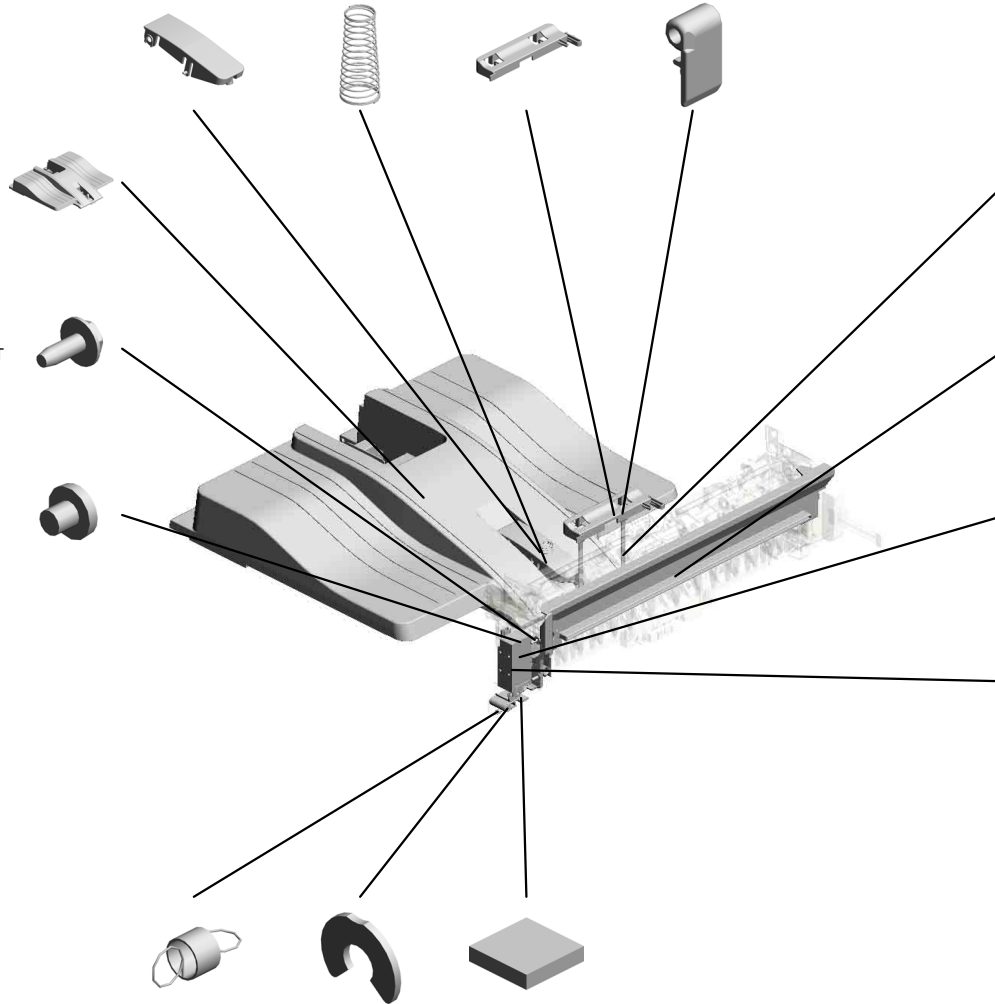
47.D2414494 TRAY:AUXILIARY:EXIT
 48.D2414499 COMPRESSION SPRING:BASE:TRAY:EXIT
 26.D0BQ4960 BASE:PLATE:EXIT:1 DG
 61.D2414971 (x2) LINK:PLATE:EXIT



69.M0AJ4497 TRAY:EXIT

4.04583008N (x3) HEXAGON HEAD TAPPING SCREW:3 X8

1.03530030N (x2) SCREW:M3X3



62.D2414972 (x2) GUIDE:PLATE:EXIT

50.D0E34937 INNER COVER:EXIT 202302-07 O/O

3.04543006Q (x3) TAPPING SCREW - M3X6

49.D2414929 DC SOLENOID:FUSING EXIT:ASS'Y:(SOL3)

52.D2414938 TENSION SPRING:LINK:DC SOLENOID:FUSING EXIT

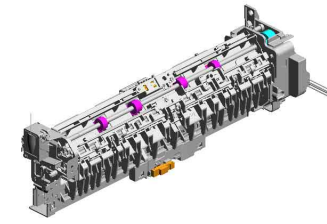
7.08050103 RETAINING RINGS -E:SILENCER:DIA3

21.D0094455 CUSHION - DC SOLENOID

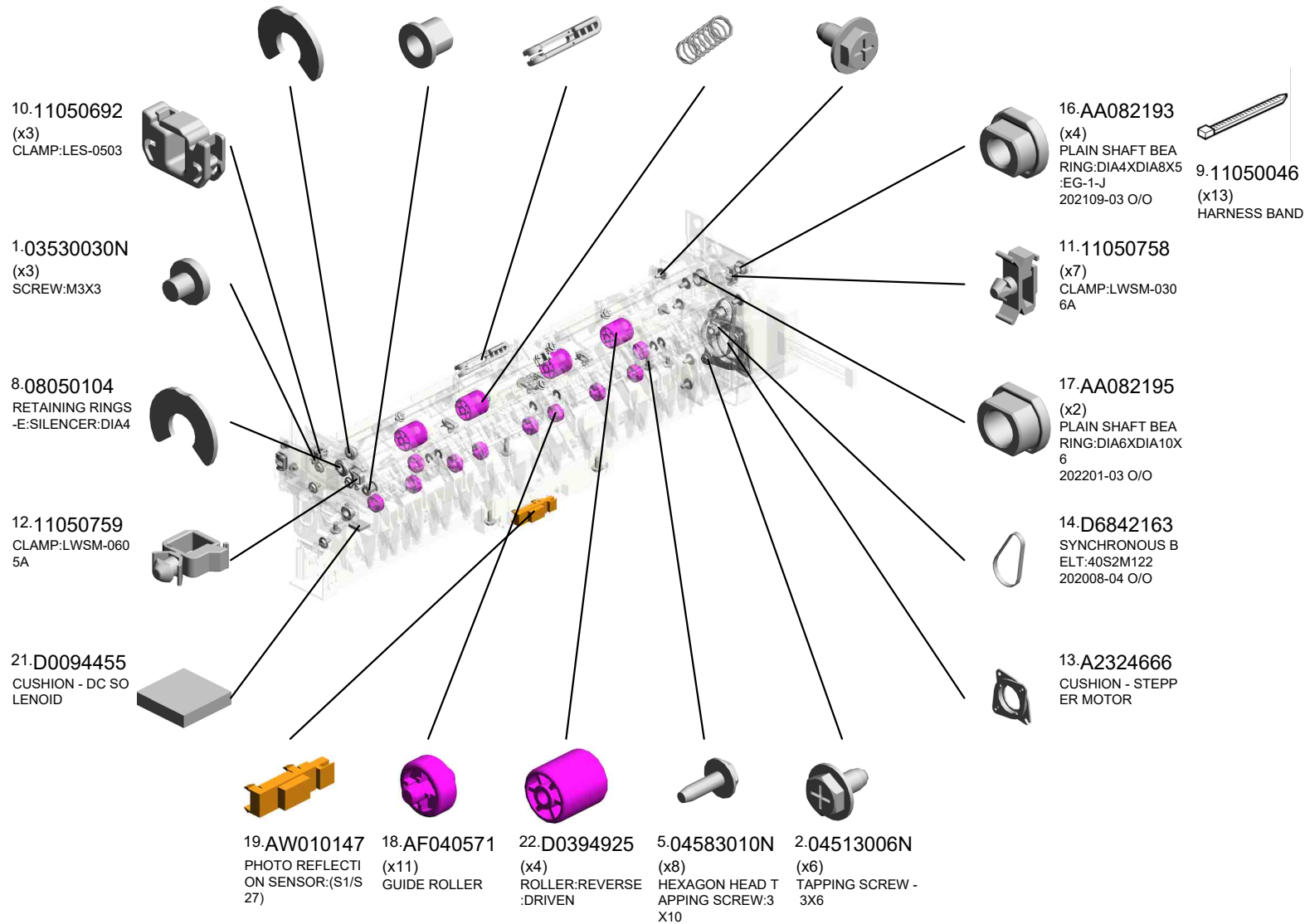
| | | | | | | | | | | | | | | | | | |
|------|------|------|------|------|------|------|------|------|------|------|------|------|------|------|------|------|------|
| U001 | U002 | U003 | U004 | U005 | U006 | U007 | U008 | U009 | U010 | U011 | U012 | U013 | U014 | U015 | U016 | U017 | U018 |
|------|------|------|------|------|------|------|------|------|------|------|------|------|------|------|------|------|------|

U012_S001
PAPER EXIT UNIT:ASS'Y

- 7.08050103 (x13) RETAINING RINGS -E:SILENCER:DIA3
- 15.AA080252 (x2) BUSHING - M4
- 20.D0094407 FEELER - OVERFLOW
- 23.D0394927 (x2) COMPRESSION SPRING:PRESSURE:REVERSE:DRIVEN
- 3.04543006Q (x13) TAPPING SCREW - M3X6



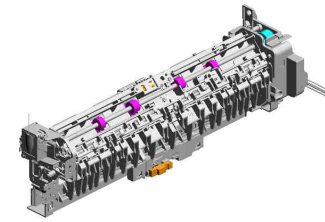
24.D0E34404
[A] PAPER EXIT UNIT: ASS'Y
202302-05 O/O



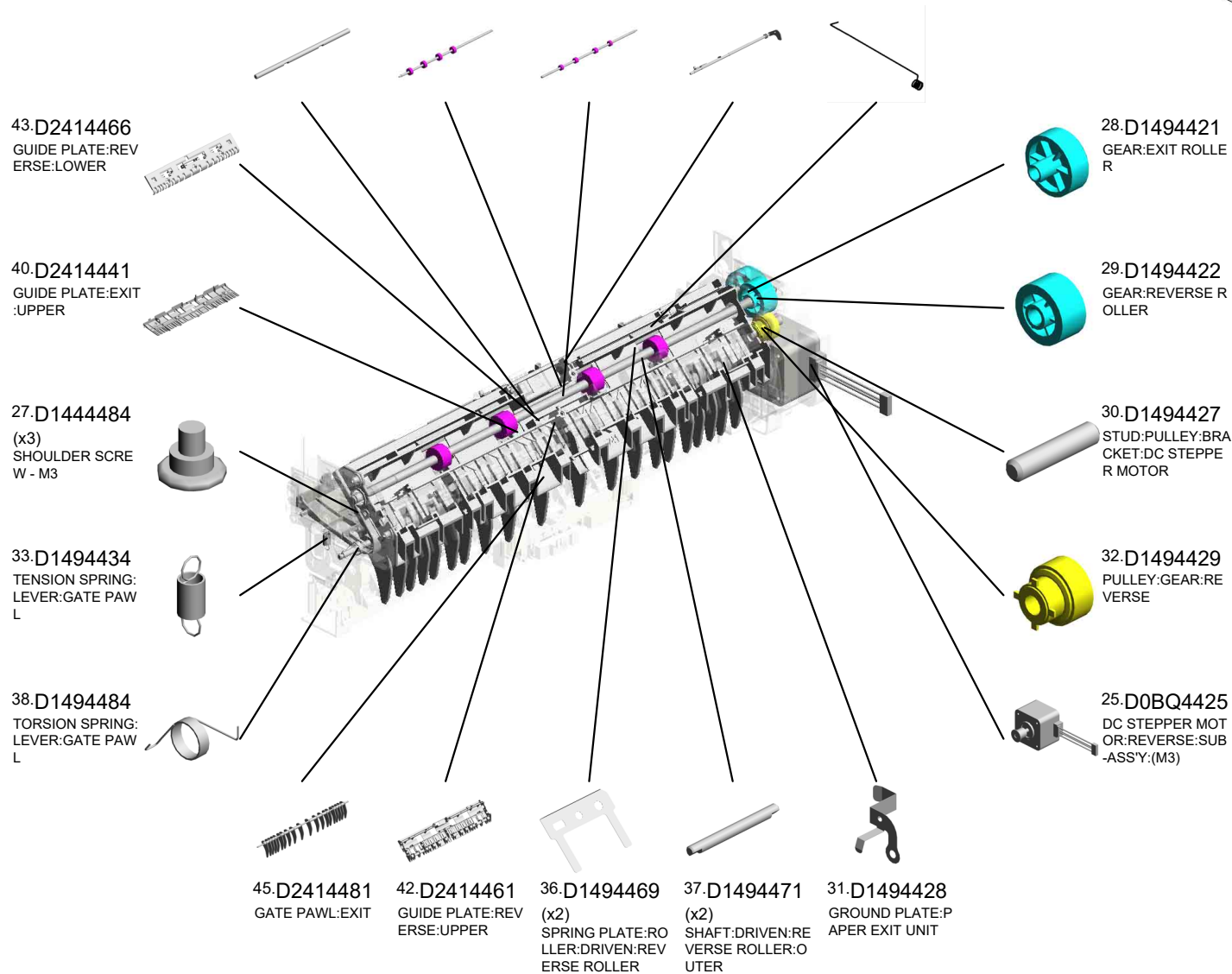
| | | | | | | | | | | | | | | | | | |
|------|------|------|------|------|------|------|------|------|------|------|------|------|------|------|------|------|------|
| U001 | U002 | U003 | U004 | U005 | U006 | U007 | U008 | U009 | U010 | U011 | U012 | U013 | U014 | U015 | U016 | U017 | U018 |
|------|------|------|------|------|------|------|------|------|------|------|------|------|------|------|------|------|------|

U012_S001
PAPER EXIT UNIT:ASS'Y

- 35.D1494468 SHAFT:DRIVEN:REVERSE ROLLER
- 44.D2414476 EXIT ROLLER
- 39.D2024477 REVERSE ROLLER
- 41.D2414448 SHAFT:FEELER:OVERFLOW
- 34.D1494463 GROUND WIRE:SENSOR:REVERSE

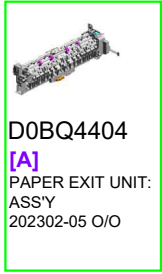
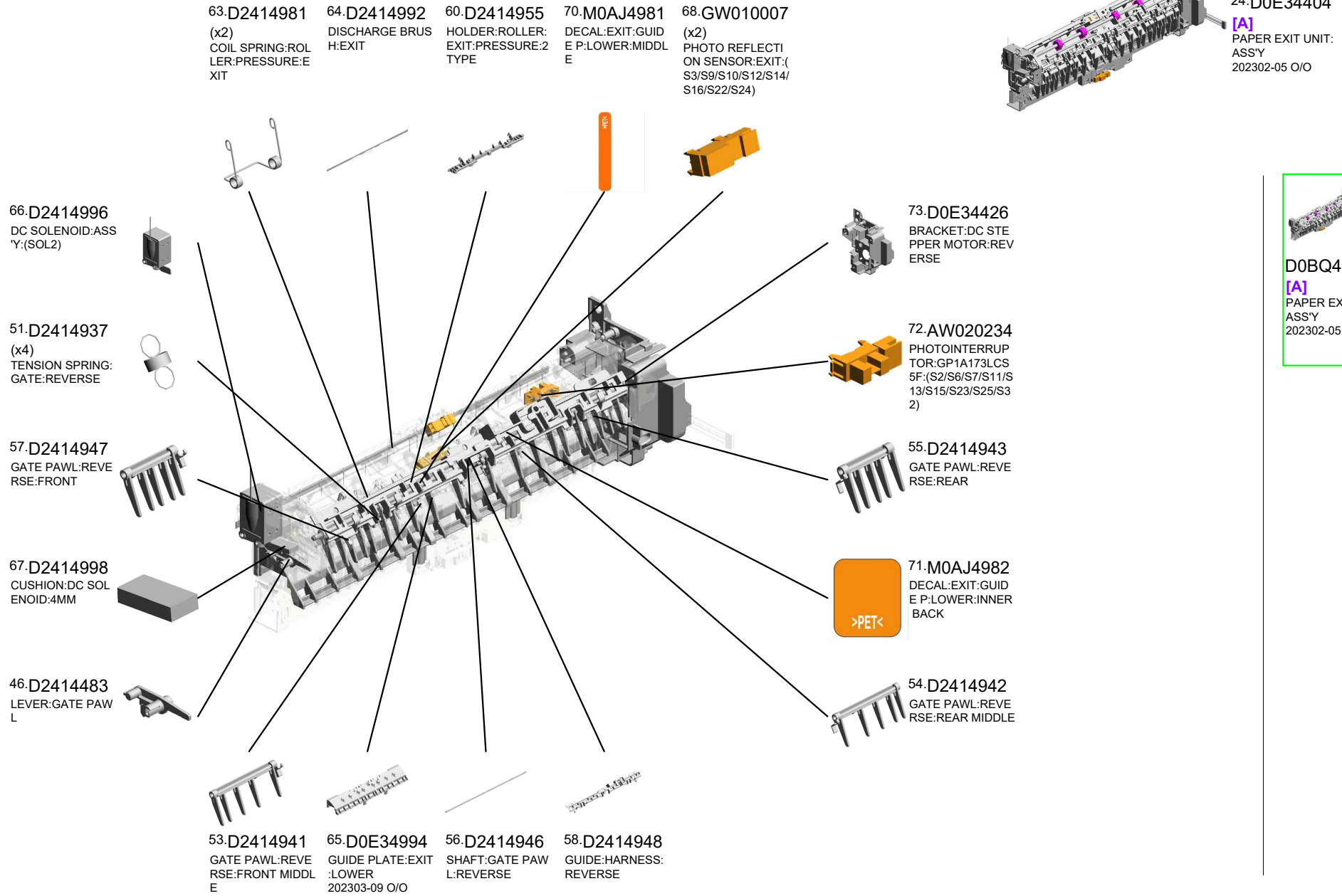


24.D0E34404
[A]
PAPER EXIT UNIT:
ASS'Y
202302-05 O/O



| | | | | | | | | | | | | | | | | | |
|------|------|------|------|------|------|------|------|------|------|------|------|------|------|------|------|------|------|
| U001 | U002 | U003 | U004 | U005 | U006 | U007 | U008 | U009 | U010 | U011 | U012 | U013 | U014 | U015 | U016 | U017 | U018 |
|------|------|------|------|------|------|------|------|------|------|------|------|------|------|------|------|------|------|

U012_S001
PAPER EXIT UNIT:ASS'Y



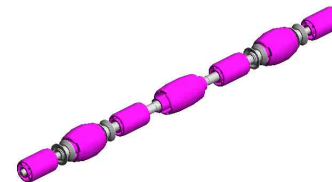
U012_S001_S001

ROLLER:EXIT:PRESSURE:2TYPE:ASS'Y

6.07200020G

(x4)

RETAINING RING -
M2



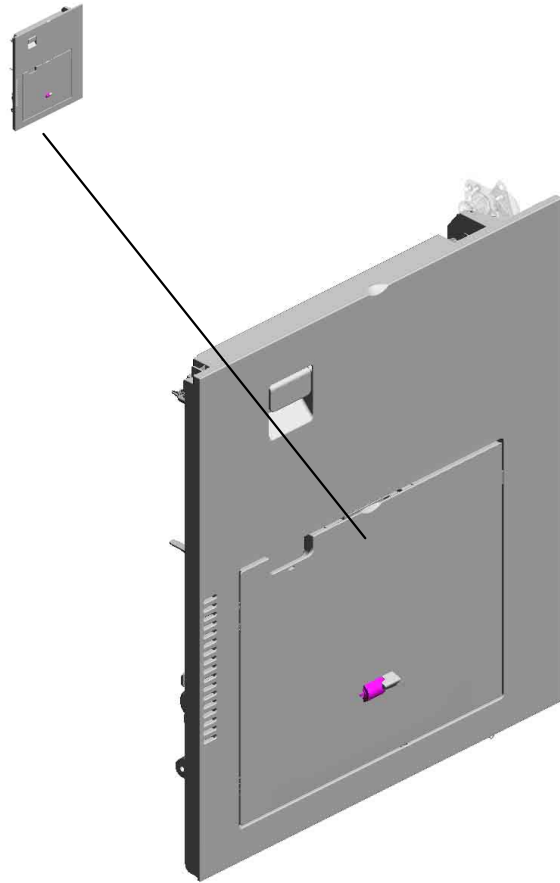
59.D2414950

ROLLER:EXIT:PRE
SSURE:2TYPE:ASS
'Y

| | | | | | | | | | | | | | | | | | |
|------|------|------|------|------|------|------|------|------|------|------|------|------|------|------|------|------|------|
| U001 | U002 | U003 | U004 | U005 | U006 | U007 | U008 | U009 | U010 | U011 | U012 | U013 | U014 | U015 | U016 | U017 | U018 |
|------|------|------|------|------|------|------|------|------|------|------|------|------|------|------|------|------|------|

U013.DUPLEX

U013 S001
D0BQ4557
DUPLEX UNIT:IMC3000-6000



| | | | | | | | | | | | | | | | | | |
|------|------|------|------|------|------|------|------|------|------|------|------|------|------|------|------|------|------|
| U001 | U002 | U003 | U004 | U005 | U006 | U007 | U008 | U009 | U010 | U011 | U012 | U013 | U014 | U015 | U016 | U017 | U018 |
|------|------|------|------|------|------|------|------|------|------|------|------|------|------|------|------|------|------|

U013_S001.DUPLEX UNIT:IMC3000-6000

U013 S001 S002
D0BQ4563
MANUAL FEED TABLE:IMC20
00-6000

U013 S001 S003
D2412671
GUIDE PLATE:VERTICAL TR
ANSPORT:NO.1:DRIVEN:ASS
Y

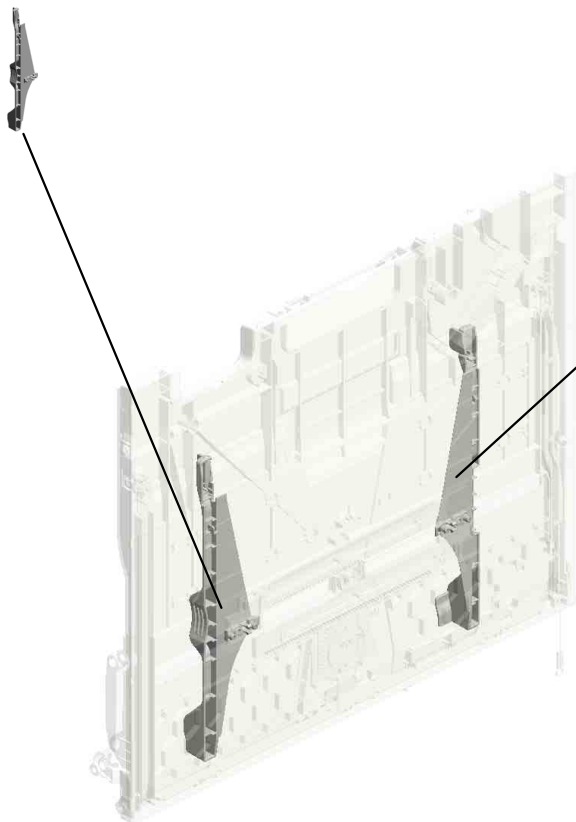
U013 S001 S001
D0BQ2600
MANUAL FEED UNIT:ASSY

U013 S001 S004
D2412672
GUIDE PLATE:VERTICAL TR
ANSPORT:NO.2:DRIVEN:ASS
Y

| | | | | | | | | | | | | | | | | | |
|------|------|------|------|------|------|------|------|------|------|------|------|------|------|------|------|------|------|
| U001 | U002 | U003 | U004 | U005 | U006 | U007 | U008 | U009 | U010 | U011 | U012 | U013 | U014 | U015 | U016 | U017 | U018 |
|------|------|------|------|------|------|------|------|------|------|------|------|------|------|------|------|------|------|

U013_S001_S002.MANUAL FEED TABLE:IMC2000-6000

U013 S001 S002 S001
D0BQ2630
SIDE FENCE:FRONT:ASS'Y

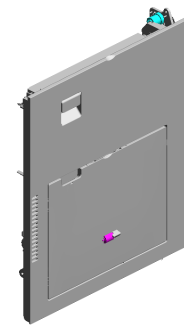


U013 S001 S002 S002
D0BQ2632
SIDE FENCE:REAR:ASS'Y

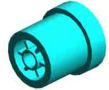
| | | | | | | | | | | | | | | | | | |
|------|------|------|------|------|------|------|------|------|------|------|------|------|------|------|------|------|------|
| U001 | U002 | U003 | U004 | U005 | U006 | U007 | U008 | U009 | U010 | U011 | U012 | U013 | U014 | U015 | U016 | U017 | U018 |
|------|------|------|------|------|------|------|------|------|------|------|------|------|------|------|------|------|------|

U013 DUPLEX

- 4.04543006Q (x3) TAPPING SCREW - M3X6
- 90.D1494623 GROUND WIRE:BRACKET:ENTRANCE:DUPLEX
- 2.03603006N SCREW - M3X6
- 6.04583008N (x3) HEXAGON HEAD TAPPING SCREW:3X8



181.D2414755
GEAR:OUTPUT:DUPLEX:ENTRANCE



182.D0BQ4757
SPACER:DC MOTOR:DUPLEX:2
202105-04 O/O



10.07200040E
RETAINING RING - M4



39.AX060464
DC MOTOR:ENCODER:NO:10W:GEAR:BRUSHLESS:(M1/M2/M5/M6)



180.D2414750
BRACKET:MOTOR:DUPLEX



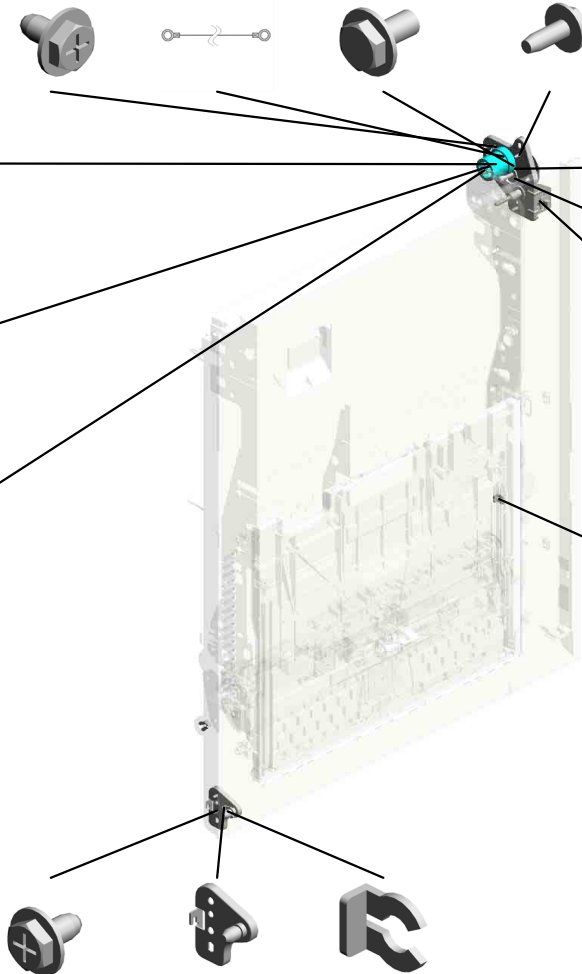
38.AW500049
PUSH SWITCH:SW1AG-550:(S4/S17/S19/S21)



20.54472681
(x2)
SNAP RING



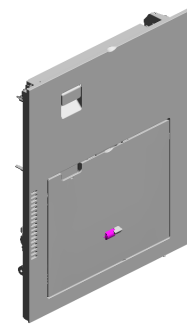
- 3.04513006N (x2) TAPPING SCREW - 3X6
- 112.D1494755 BRACKET:HINGE:DUPLEX:FRONT
- 19.52152621 SNAP RING - M6



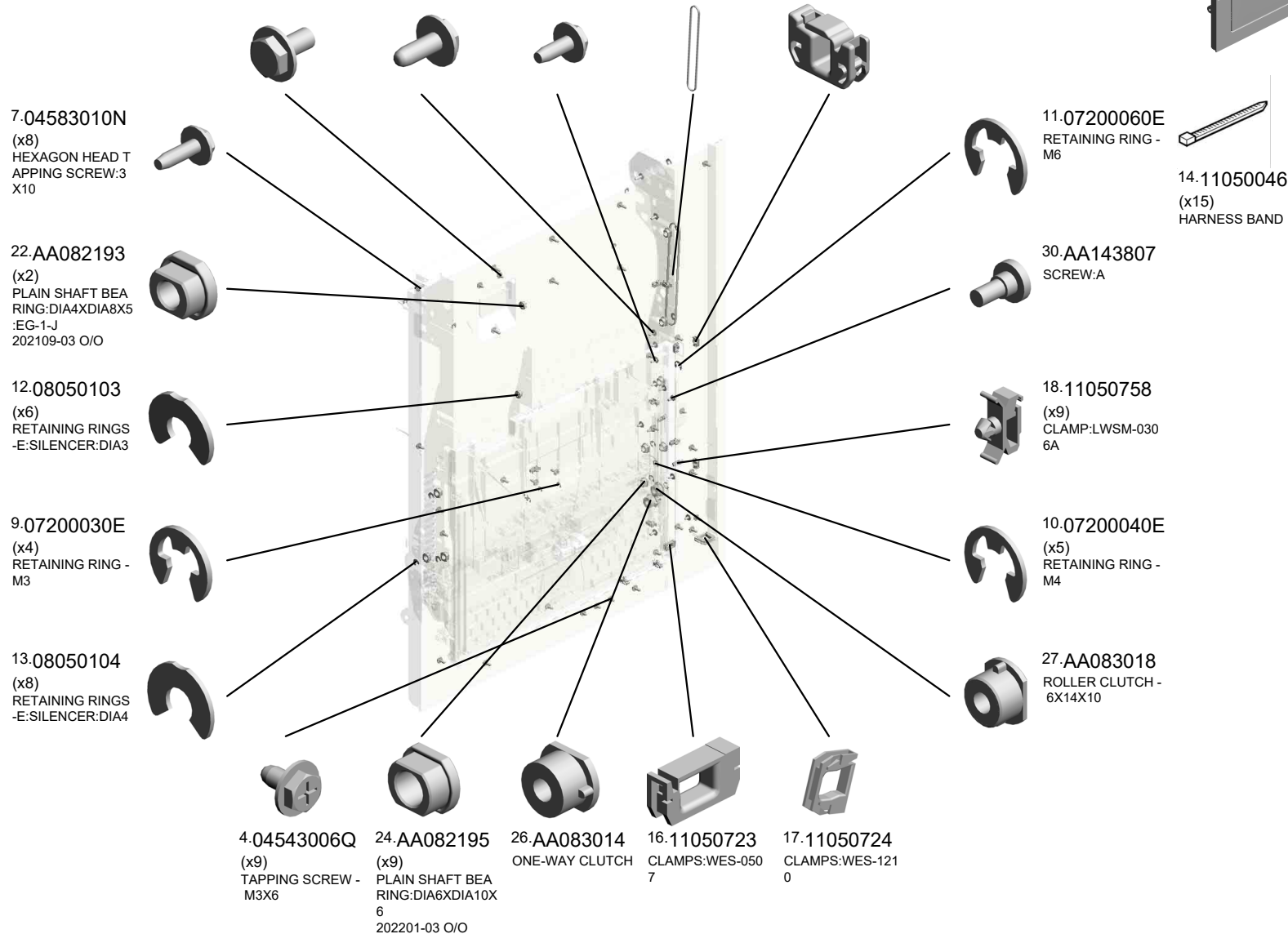
| | | | | | | | | | | | | | | | | | |
|------|------|------|------|------|------|------|------|------|------|------|------|------|------|------|------|------|------|
| U001 | U002 | U003 | U004 | U005 | U006 | U007 | U008 | U009 | U010 | U011 | U012 | U013 | U014 | U015 | U016 | U017 | U018 |
|------|------|------|------|------|------|------|------|------|------|------|------|------|------|------|------|------|------|

U013_S001
 DUPLEX UNIT:IMC3000-6000

- 2.03603006N (x2) SCREW - M3X6
- 5.04543008Q (x2) TAPPING SCREW: 3X8
- 6.04583008N (x24) HEXAGON HEAD TAPPING SCREW:3 X8
- 21.D0BQ4648 SYNCHRONOUS BELT:30S2M300 202202-01 O/O
- 15.11050692 (x4) CLAMP:LES-0503

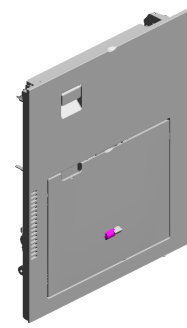


65.D0BQ4557
 [A]
 DUPLEX UNIT:IMC
 3000-6000
 202206-08 O/O



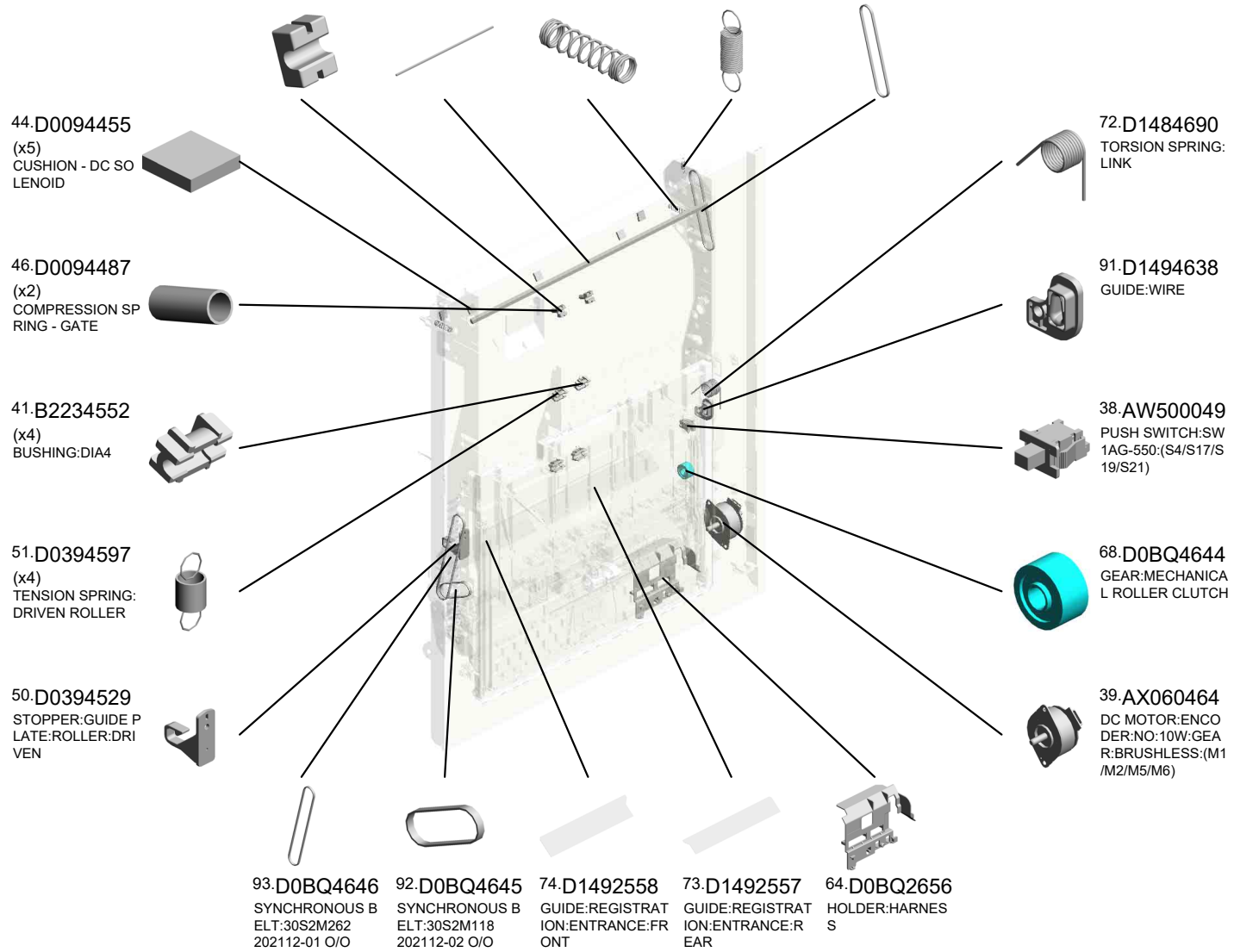
| | | | | | | | | | | | | | | | | | |
|------|------|------|------|------|------|------|------|------|------|------|------|------|------|------|------|------|------|
| U001 | U002 | U003 | U004 | U005 | U006 | U007 | U008 | U009 | U010 | U011 | U012 | U013 | U014 | U015 | U016 | U017 | U018 |
|------|------|------|------|------|------|------|------|------|------|------|------|------|------|------|------|------|------|

U013_S001
 DUPLEX UNIT:IMC3000-6000



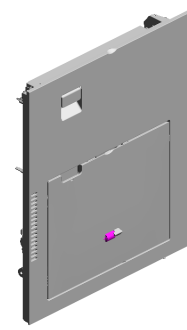
65.D0BQ4557
 [A]
 DUPLEX UNIT:IMC
 3000-6000
 202206-08 O/O

- 45.D0094485 (x2) BUSHING - GATE
- 69.D0BQ4654 SHAFT:LEVER:LOCK
- 49.D0394525 (x2) COMPRESSION SPRING:SHAFT:GUIDE PLATE:EXIT
- 95.D1494653 TENSION SPRING: SWIVEL
- 94.D1494647 SYNCHRONOUS BELT:30S2M212



| | | | | | | | | | | | | | | | | | |
|------|------|------|------|------|------|------|------|------|------|------|------|------|------|------|------|------|------|
| U001 | U002 | U003 | U004 | U005 | U006 | U007 | U008 | U009 | U010 | U011 | U012 | U013 | U014 | U015 | U016 | U017 | U018 |
|------|------|------|------|------|------|------|------|------|------|------|------|------|------|------|------|------|------|

U013_S001
 DUPLEX UNIT:IMC3000-6000



65.D0BQ4557
 [A]
 DUPLEX UNIT:IMC
 3000-6000
 202206-08 O/O

98.D1494658 COIL SPRING:LEVER:DUPLEX
 132.D2024674 TORSION SPRING:DUPLEX:ENTRANCE SENSOR
 131.D2024673 FEELER:DUPLEX:ENTRANCE SENSOR
 137.D2024692 (x2) SHAFT:PRESSURE:GUIDE PLATE:UPPER
 97.D1494657 HOOK:STOPPER:DUPLEX UNIT:REAR

96.D1494656 HOOK:STOPPER:DUPLEX UNIT:FRONT

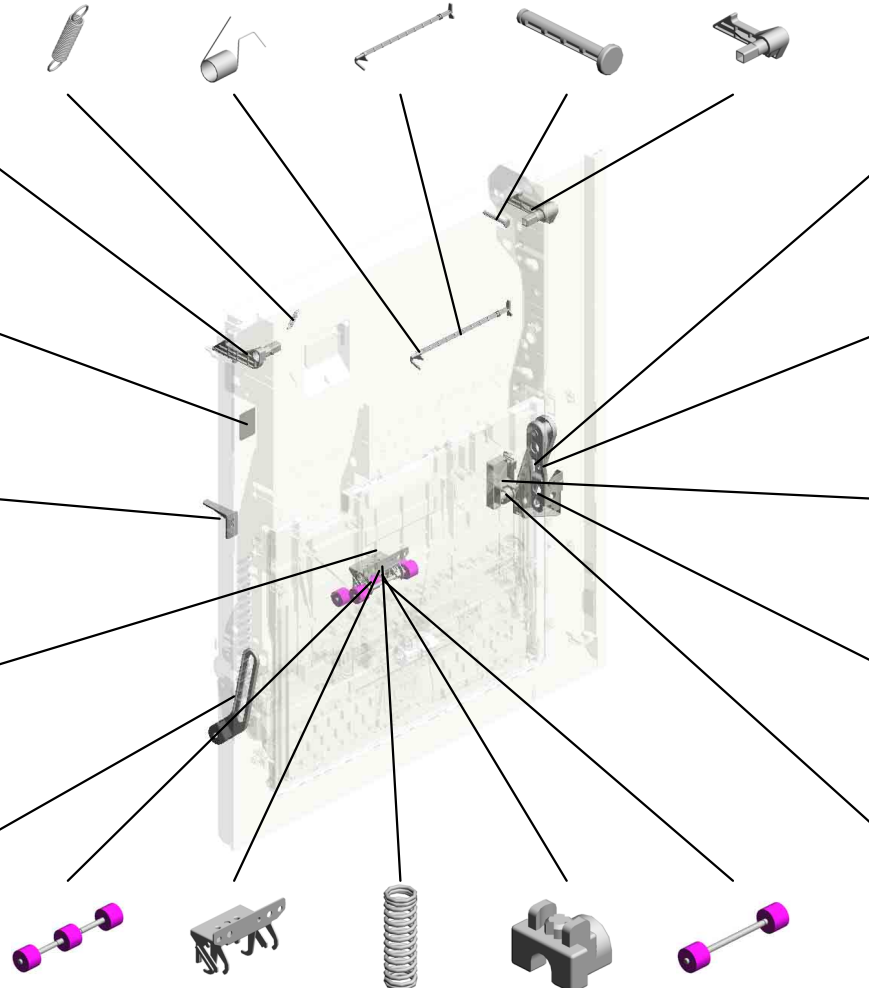
106.D0E34715 DECAL:GRIP:Z
 202303-03 O/O



114.D1494850 ARM:PUSH SWITCH

136.D2024684 GROUND WIRE:BRACKET:DRIVEN ROLLER

103.D1494695 LINK:FRONT



102.D1494688 LINK:DUPLEX:MAIN

139.D2024722 LINK:DUPLEX

100.D1494675 COVER:PUSH SWITCH

138.D2024721 BRACKET:LINK:DUPLEX

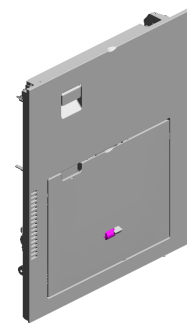
101.D1494677 STAY:CONTACT POINT:GUIDE PLATE:DRIVEN

135.D2024682 DRIVEN ROLLER:DNA16
 134.D0BQ4680 BRACKET:DRIVEN ROLLER:PRESSURE
 202106-02 X/O
 99.D1494672 (x4) COMPRESSION SPRING:DRIVEN
 118.D0E34737 (x4) PLAIN SHAFT BEARING:DUPLX:EXIT
 202306-01 O/O
 133.D2024679 DRIVEN ROLLER:DNA16:DUPLX

| | | | | | | | | | | | | | | | | | |
|------|------|------|------|------|------|------|------|------|------|------|------|------|------|------|------|------|------|
| U001 | U002 | U003 | U004 | U005 | U006 | U007 | U008 | U009 | U010 | U011 | U012 | U013 | U014 | U015 | U016 | U017 | U018 |
|------|------|------|------|------|------|------|------|------|------|------|------|------|------|------|------|------|------|

U013_S001
 DUPLEX UNIT:IMC3000-6000

165.D2414660 GUIDE PLATE:UPPER:RIGHT:DUPLEX
 160.D2414635 SHEET:CUSHION
 163.D2414643 (x2) TRANSPORT ROLLER:ENTRANCE
 167.D2414676 (x2) LEVER:PRESSURE:DUPLEX
 164.D2414652 GEAR:PULLEY:SWIVEL



65.D0BQ4557
 [A]
 DUPLEX UNIT:IMC
 3000-6000
 202206-08 O/O

168.D2414677 (x2) COMPRESSION SPRING:EXIT:UPPER

166.D0E34673 GUIDE PLATE:DRIVEN:202302-01 O/O

158.D2414627 COVER:DUPLEX

162.D2414642 TRANSPORT ROLLER:DUPLEX:1

172.D2414693 INNER COVER:FRONT:DUPLEX

161.D2414640 TRANSPORT ROLLER:EXIT:DIA8

159.D2414628 GUIDE PLATE:DUPLEX:EXIT

157.D2414617 TRANSPORT ROLLER:DUPLEX:2:DIA8

170.D2414684 GEAR:OUTPUT

169.D2414681 BRACKET:MOTOR:PEEN

173.D2414694 CAP:BELT:DUPLEX

171.D2414692 INNER COVER:REAR:DUPLEX

174.D2414697 GROUND WIRE:EXIT SENSOR:DUPLEX

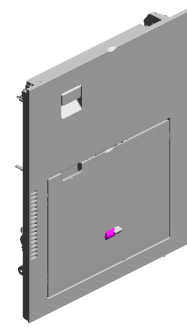
140.D2024726 TORSION SPRING:LINK:CONTACT POINT

175.D2414707 GEAR:FEED:MANUAL FEED:DRIVE

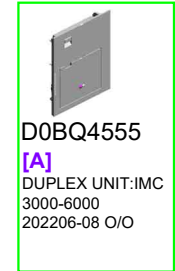
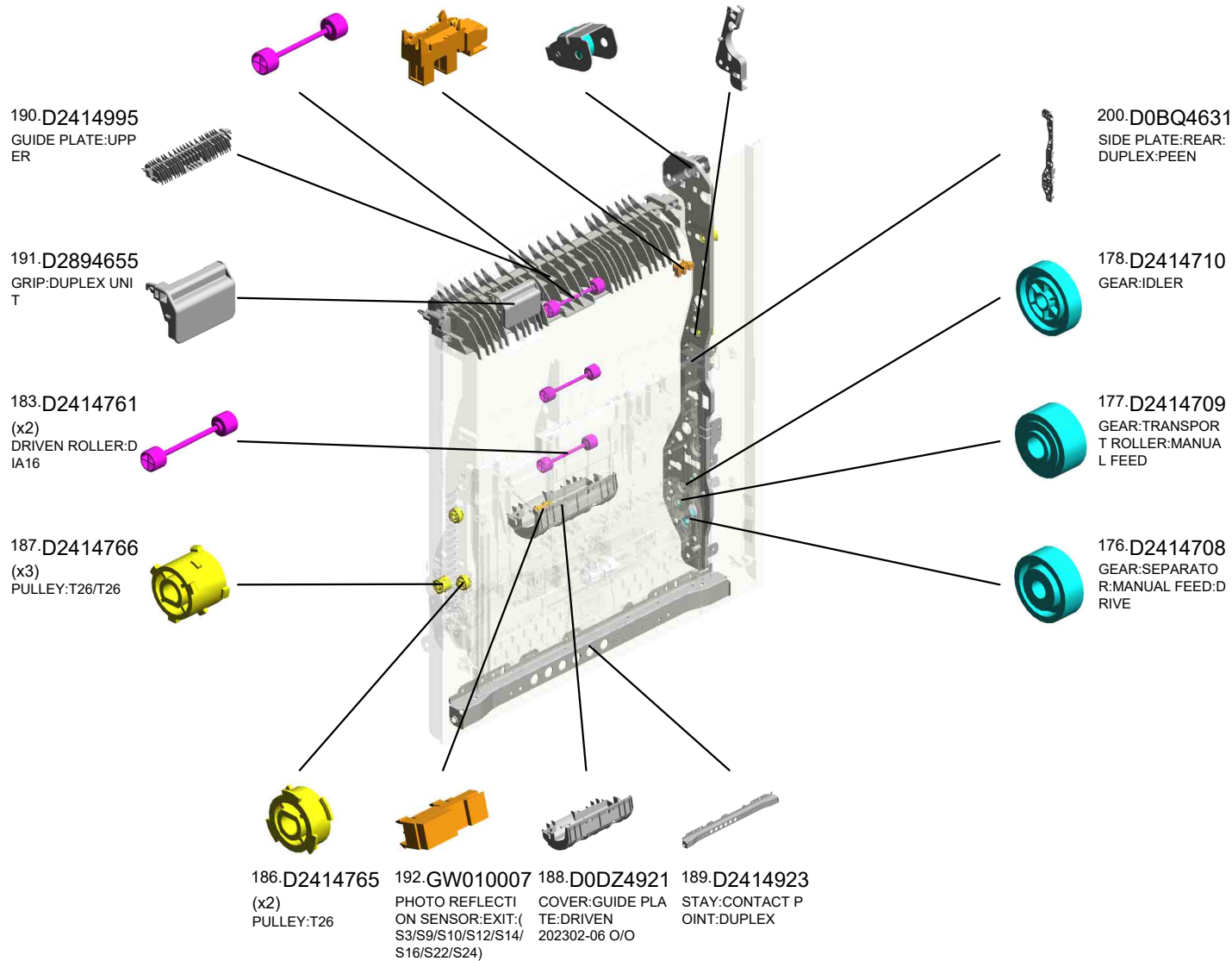
| | | | | | | | | | | | | | | | | | |
|------|------|------|------|------|------|------|------|------|------|------|------|------|------|------|------|------|------|
| U001 | U002 | U003 | U004 | U005 | U006 | U007 | U008 | U009 | U010 | U011 | U012 | U013 | U014 | U015 | U016 | U017 | U018 |
|------|------|------|------|------|------|------|------|------|------|------|------|------|------|------|------|------|------|

U013_S001
 DUPLEX UNIT:IMC3000-6000

184.D2414762 DRIVEN ROLLER: D IA18
 198.AW020198 PHOTO INTERRUPTOR: LG2A14NL1:(S5) 202001-02 O/O
 199.D2414648 BRACKET: SWIVEL PEEN
 185.D2414763 GUIDE: HARNESS: ENTRANCE SENSOR: DUPLEX



65.D0BQ4557
 [A]
 DUPLEX UNIT:IMC
 3000-6000
 202206-08 O/O

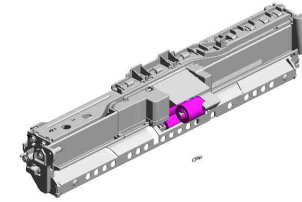


D0BQ4555
 [A]
 DUPLEX UNIT:IMC
 3000-6000
 202206-08 O/O

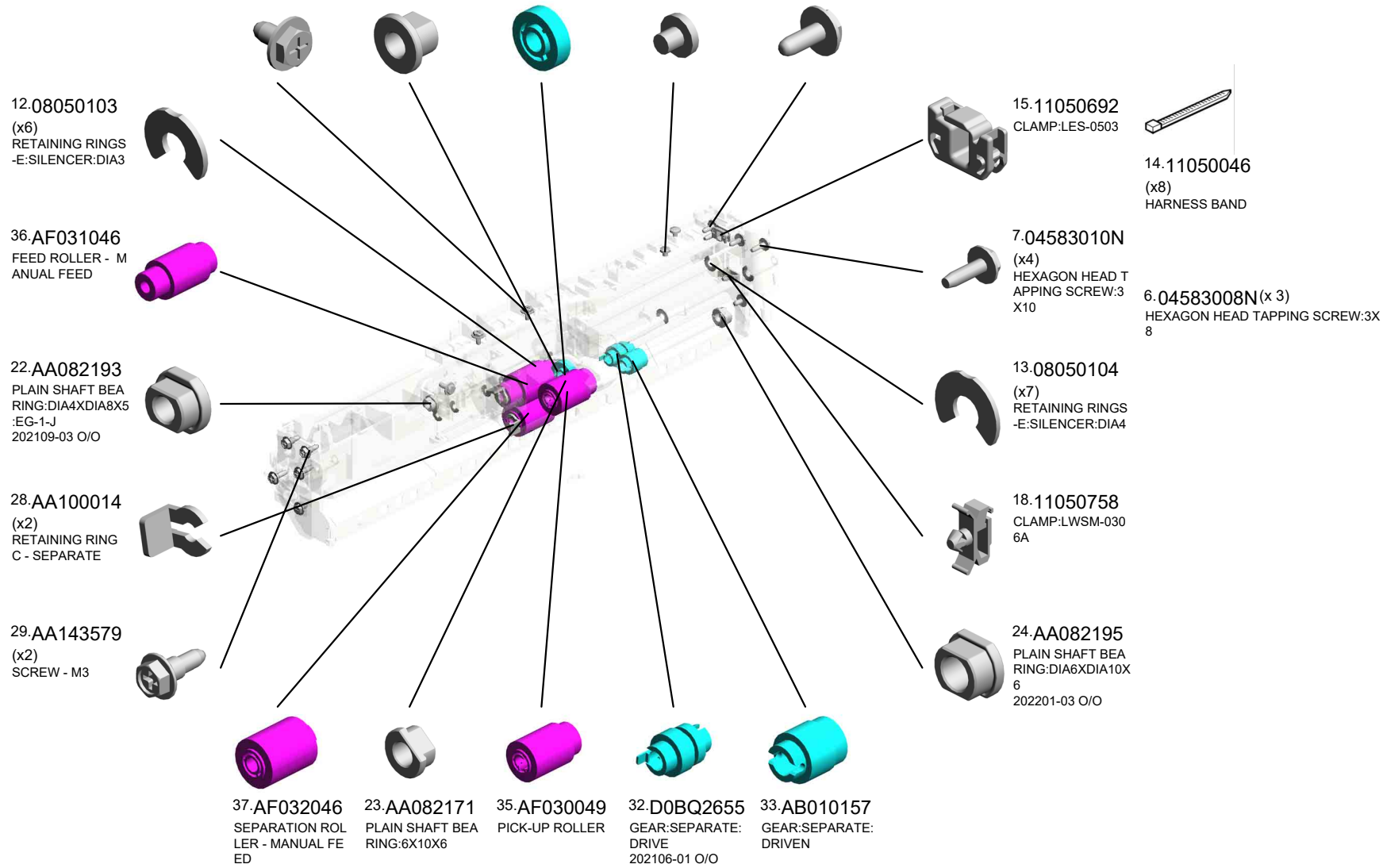
| | | | | | | | | | | | | | | | | | |
|------|------|------|------|------|------|------|------|------|------|------|------|-------------|------|------|------|------|------|
| U001 | U002 | U003 | U004 | U005 | U006 | U007 | U008 | U009 | U010 | U011 | U012 | U013 | U014 | U015 | U016 | U017 | U018 |
|------|------|------|------|------|------|------|------|------|------|------|------|-------------|------|------|------|------|------|

U013_S001_S001
MANUAL FEED UNIT:ASS'Y

- 4.04543006Q (x2) TAPPING SCREW - M3X6
- 25.AA082187 BUSHING:DIA6XDI A10X9:EG-1
- 34.AB011252 GEAR - 20Z
- 1.03530030N (x2) SCREW:M3X3
- 5.04543008Q (x5) TAPPING SCREW: 3X8



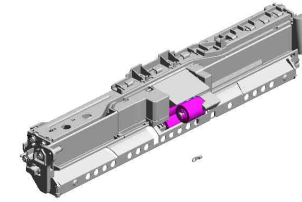
197.D0BQ2600
MANUAL FEED UNI
T:ASS'Y



| | | | | | | | | | | | | | | | | | |
|------|------|------|------|------|------|------|------|------|------|------|------|------|------|------|------|------|------|
| U001 | U002 | U003 | U004 | U005 | U006 | U007 | U008 | U009 | U010 | U011 | U012 | U013 | U014 | U015 | U016 | U017 | U018 |
|------|------|------|------|------|------|------|------|------|------|------|------|------|------|------|------|------|------|

U013_S001_S001
MANUAL FEED UNIT:ASS'Y

- 54.D0BQ2615 GUIDE PLATE:SEPARATOR:ASS'Y
- 84.D1492658 COVER:PAPER FEED ROLLER
- 119.D2022614 COIL SPRING:RELEASE:PICKUP:MANUAL FEED
- 81.D1492642 SHAFT:LINK:PAPER STOPPER
- 79.D1492635 TRANSPORT ROLLER:MANUAL FEED



197.D0BQ2600
MANUAL FEED UNIT:ASS'Y

63.D0BQ2654
(x2)
CUSHION:GUIDE PLATE:SEPARATOR



82.D1492655
FEELER:PAPER END SENSOR



77.D1492614
(x2)
TENSION SPRING:GRIP:PRESSURE



83.D1492656
TORSION SPRING:PAPER END SENSOR



75.D1492612
(x3)
ROLLER:GRIP:DRIVEN



76.D1492613
SHAFT:GRIP:DRIVEN



70.D1292783
TORQUE LIMITER MECHANICAL CLUTCH:40MM:DI18



59.D0BQ2637
PAPER STOPPER:MANUAL FEED



56.D0BQ2623
ARM:PICKUP:MANUAL FEED



62.D0BQ2653
COIL SPRING:PRESSURE:SEPARATOR



78.D1492633
SHAFT:FEED:MANUAL FEED



55.D0BQ2619
SHAFT:SEPARATOR:DRIVE:ASS'Y



60.D0BQ2638
LINK:PAPER STOPPER:MANUAL FEED



53.D0BQ2608
SHAFT:SEPARATOR:DRIVEN:ASS'Y

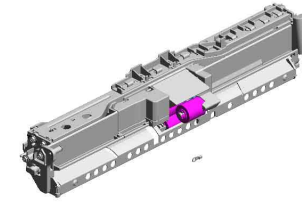


80.D1492639
SHAFT:PAPER STOPPER



| | | | | | | | | | | | | | | | | | |
|------|------|------|------|------|------|------|------|------|------|------|------|------|------|------|------|------|------|
| U001 | U002 | U003 | U004 | U005 | U006 | U007 | U008 | U009 | U010 | U011 | U012 | U013 | U014 | U015 | U016 | U017 | U018 |
|------|------|------|------|------|------|------|------|------|------|------|------|------|------|------|------|------|------|

U013_S001_S001
MANUAL FEED UNIT:ASS'Y



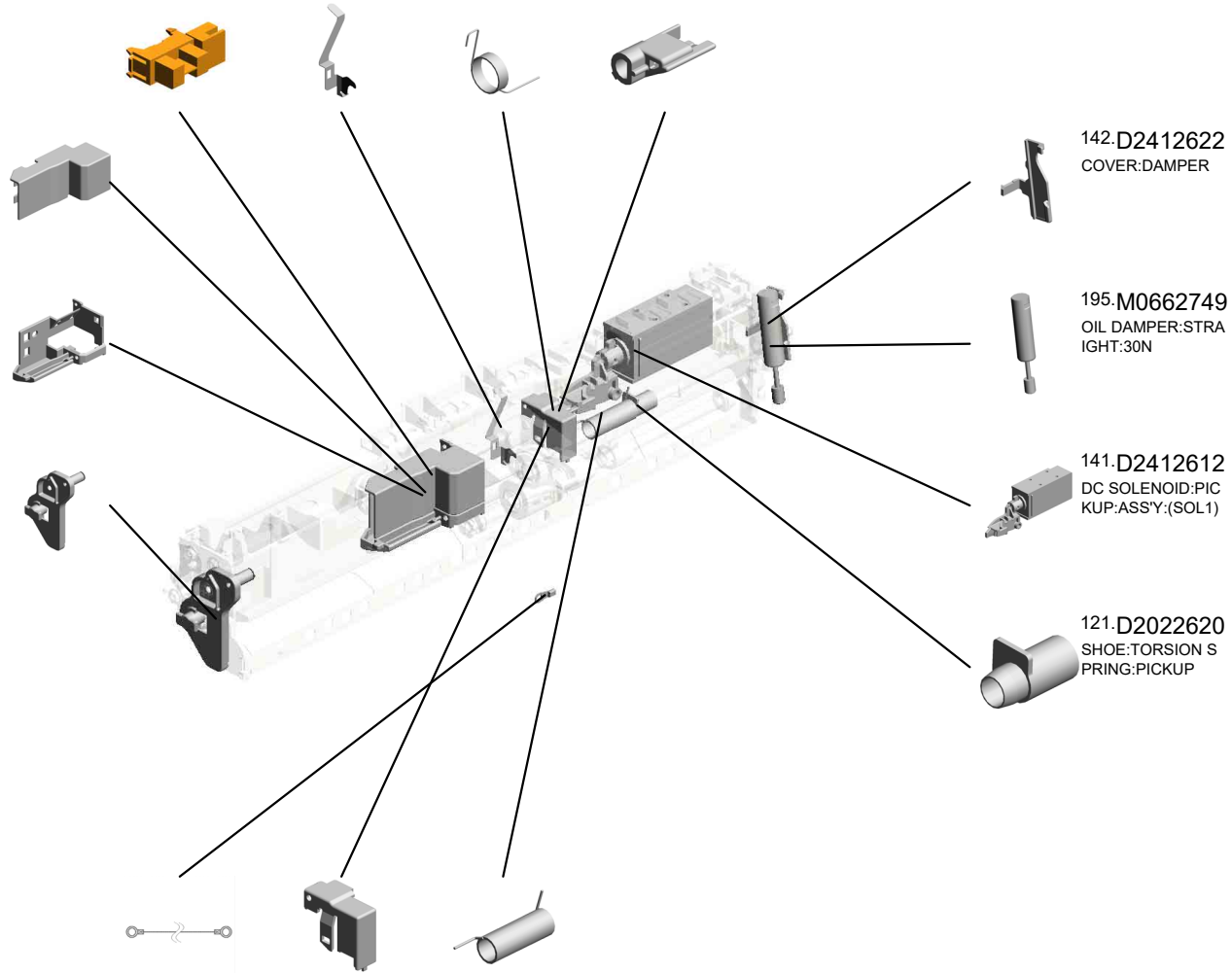
197.D0BQ2600
MANUAL FEED UNIT:ASSY

- 196.AW020234 PHOTOINTERRUPTOR:GP1A173LCS5F:(S2/S6/S7/S11/S13/S15/S23/S25/S32)
- 146.D2412652 GROUND PLATE:SHAFT:FEED
- 145.D2412644 TORSION SPRING:LINK:PAPER STOPPER
- 144.D2412643 ARM:LINK:PAPER STOPPER

122.D2022624 COVER:PAPER END

123.D2022625 BRACKET:PAPER END SENSOR:MANUAL FEED

179.D2414722 BRACKET:FRONT



142.D2412622 COVER:DAMPER

195.M0662749 OIL DAMPER:STRAIGHT:30N

141.D2412612 DC SOLENOID:PICKUP:ASSY:(SOL1)

121.D2022620 SHOE:TORSION SPRING:PICKUP

- 147.D2412657 GROUND WIRE:MANUAL FEED UNIT:REAR
- 143.D2412641 COVER:PAPER STOPPER:MANUAL FEED
- 120.D2022619 TORSION SPRING:PICKUP

| | | | | | | | | | | | | | | | | | |
|------|------|------|------|------|------|------|------|------|------|------|------|------|------|------|------|------|------|
| U001 | U002 | U003 | U004 | U005 | U006 | U007 | U008 | U009 | U010 | U011 | U012 | U013 | U014 | U015 | U016 | U017 | U018 |
|------|------|------|------|------|------|------|------|------|------|------|------|------|------|------|------|------|------|

U013_S001_S002

MANUAL FEED TABLE:IMC2000-6000

125.D2022640
EXTENSION TRAY:
NO.1

126.D2022641
EXTENSION TRAY:
NO.2

124.D2022638
FEELER:PAPER SI
ZE SENSOR:MANU
AL FEED

88.D1492693
(x2)
STOPPER:MANUA
L FEED TABLE

86.D0BQ2688
TENSION SPRING:
WIRE
202105-03 O/O



66.D0BQ4563
MANUAL FEED TA
BLE:IMC2000-6000

40.B2231099
(x2)
FLAT SCREW



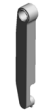
111.D1494731
(x2)
COMPRESSION SP
RING:RACK:MANU
AL FEED



31.AA143850
(x2)
FLAT SCREW:M3X
5:SIDE FENCE



87.D1492692
ARM:MANUAL FEE
D:FRONT UPPER



104.D1494706
PIN:ARM:FRONT L
OWER



115.D1494883
ARM:MANUAL FEE
D:FRONT LOWER



89.D1492694
(x2)
COMPRESSION SP
RING:STOPPER:MANUAL FEED TABLE



67.D0BQ4570
PAPER SIZE SENS
OR:SENSOR:IMC2
000-6000:(S8)



1.03530030N
SCREW:M3X3



8.04593008N
(x6)
BINDING HEAD TA
PPING SCREW:3X
8



13.08050104
(x5)
RETAINING RINGS
-E:SILENCER:DIA4



14.11050046
(x6)
HARNES BAND

85.D1492686
WIRE:MANUAL FE
ED TABLE:TC075



61.D0BQ2644
(x2)
BRACKET:SIDE FE
NCE:MANUAL FEE
D



116.D1494884
ARM:MANUAL FEE
D:REAR LOWER



117.D1502666
GEAR:SIDE FENCE
:MANUAL FEED TA
BLE



| | | | | | | | | | | | | | | | | | |
|------|------|------|------|------|------|------|------|------|------|------|------|------|------|------|------|------|------|
| U001 | U002 | U003 | U004 | U005 | U006 | U007 | U008 | U009 | U010 | U011 | U012 | U013 | U014 | U015 | U016 | U017 | U018 |
|------|------|------|------|------|------|------|------|------|------|------|------|------|------|------|------|------|------|

U013_S001_S002
 MANUAL FEED TABLE:IMC2000-6000

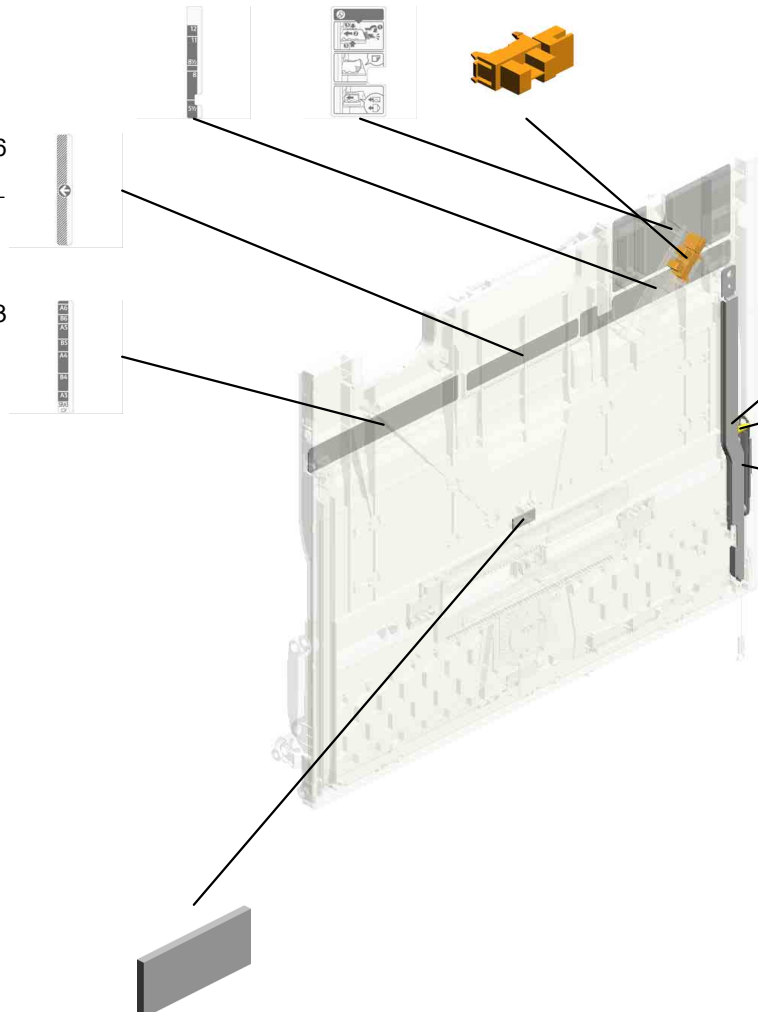
130.D2022677 DECAL:SCALE:MANUAL FEED:REAR
 156.D2412685 DECAL:PAPER SE T DIRECTION:MANUAL FEED
 196.AW020234 PHOTOINTERRUPTOR:GP1A173LCS 5F:(S2/S6/S7/S11/S13/S15/S23/S25/S32)



66.D0BQ4563
 MANUAL FEED TABLE:IMC2000-6000

129.D2022676
 DECAL:SCALE:MANUAL FEED:MIDDLE

148.D2412663
 DECAL:SCALE:MANUAL FEED:FRONT



155.D2412682
 STAY:REAR:MANUAL FEED TABLE

127.D2022642
 PULLEY:WIRE:MANUAL FEED TABLE

128.D2022646
 ARM:MANUAL FEED:REAR UPPER

194.M0662743
 FRICTION PAD:MANUAL FEED TABLE:18X7.5

| | | | | | | | | | | | | | | | | | |
|------|------|------|------|------|------|------|------|------|------|------|------|-------------|------|------|------|------|------|
| U001 | U002 | U003 | U004 | U005 | U006 | U007 | U008 | U009 | U010 | U011 | U012 | U013 | U014 | U015 | U016 | U017 | U018 |
|------|------|------|------|------|------|------|------|------|------|------|------|-------------|------|------|------|------|------|

U013_S001_S002_S001
SIDE FENCE:FRONT:ASS'Y

107.D1494717
PLATE:SIDE FENC
E:FRONT



57.D0BQ2630
SIDE FENCE:FRON
T:ASSY



108.D1494718
TORSION SPRING:
SIDE FENCE:FRON
T

| | | | | | | | | | | | | | | | | | |
|------|------|------|------|------|------|------|------|------|------|------|------|------|------|------|------|------|------|
| U001 | U002 | U003 | U004 | U005 | U006 | U007 | U008 | U009 | U010 | U011 | U012 | U013 | U014 | U015 | U016 | U017 | U018 |
|------|------|------|------|------|------|------|------|------|------|------|------|------|------|------|------|------|------|

U013_S001_S002_S002
SIDE FENCE:REAR:ASS'Y

109.D1494720 110.D1494721
PLATE:SIDE FENC TORSION SPRING:
E:REAR SIDE FENCE:REAR

58.D0BQ2632
SIDE FENCE:REAR
:ASS'Y



105.D1494711
DECAL:SIDE FENC
E:MANUAL FEED

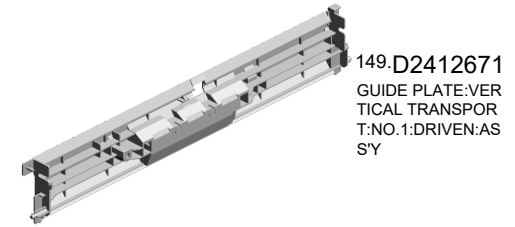


| | | | | | | | | | | | | | | | | | |
|------|------|------|------|------|------|------|------|------|------|------|------|------|------|------|------|------|------|
| U001 | U002 | U003 | U004 | U005 | U006 | U007 | U008 | U009 | U010 | U011 | U012 | U013 | U014 | U015 | U016 | U017 | U018 |
|------|------|------|------|------|------|------|------|------|------|------|------|------|------|------|------|------|------|

U013_S001_S003

GUIDE PLATE:VERTICAL TRANSPORT:NO.1:DRIVEN:ASS'Y

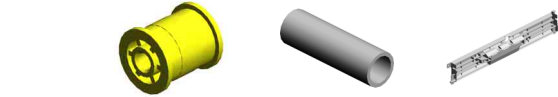
42.D0092573 (x3) PULLEY - VERTICAL TRANSPORT
 113.D1494777 (x2) COMPRESSION SPRING:FLAT CONVEYER BELT:DRIVEN
 151.D2412673 GUIDE PLATE:VERTICAL TRANSPORT:NO.1:DRIVEN



149.D2412671 GUIDE PLATE:VERTICAL TRANSPORT:NO.1:DRIVEN:ASS'Y

47.D0292677 (x3) TRANSPORT BELT:DRIVEN:VERTICAL TRANSPORT

71.D1444489 (x2) STOPPER:DRIVEN ROLLER



6.04583008N (x2) HEXAGON HEAD TAPPING SCREW:3X8

43.D0092574 (x3) PULLEY - IDLER

154.D2412678 SHAFT:FLAT CONVEYER BELT:DRIVEN

48.D0392993 SHAFT:TRANSPORT BELT:PULLEY
 153.D2412676 HOLDER:DRIVEN:BELT



| | | | | | | | | | | | | | | | | | |
|------|------|------|------|------|------|------|------|------|------|------|------|------|------|------|------|------|------|
| U001 | U002 | U003 | U004 | U005 | U006 | U007 | U008 | U009 | U010 | U011 | U012 | U013 | U014 | U015 | U016 | U017 | U018 |
|------|------|------|------|------|------|------|------|------|------|------|------|------|------|------|------|------|------|

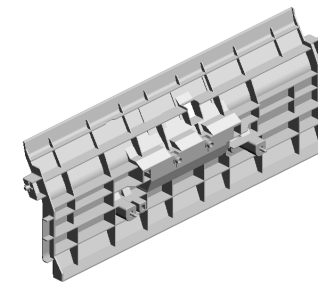
U013_S001_S004

GUIDE PLATE:VERTICAL TRANSPORT:NO.2:DRIVEN:ASS'Y

113.D1494777 (x2)
COMPRESSION SPRING:FLAT CONVEYER BELT:DRIVEN

152.D2412674
GUIDE PLATE:VERTICAL TRANSPORT:NO.2:DRIVEN

154.D2412678
SHAFT:FLAT CONVEYER BELT:DRIVEN



150.D2412672
GUIDE PLATE:VERTICAL TRANSPORT:NO.2:DRIVEN:ASS'Y

42.D0092573 (x3)
PULLEY - VERTICAL TRANSPORT



47.D0292677 (x3)
TRANSPORT BELT:DRIVEN:VERTICAL TRANSPORT



71.D1444489 (x2)
STOPPER:DRIVEN ROLLER



43.D0092574 (x3)
PULLEY - IDLER



5.04543008Q (x2)
TAPPING SCREW: 3X8



48.D0392993
SHAFT:TRANSPORT BELT:PULLEY

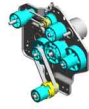
153.D2412676
HOLDER:DRIVEN:BELT



| | | | | | | | | | | | | | | | | | |
|------|------|------|------|------|------|------|------|------|------|------|------|------|------|------|------|------|------|
| U001 | U002 | U003 | U004 | U005 | U006 | U007 | U008 | U009 | U010 | U011 | U012 | U013 | U014 | U015 | U016 | U017 | U018 |
|------|------|------|------|------|------|------|------|------|------|------|------|------|------|------|------|------|------|

U014.MAIN DRIVE

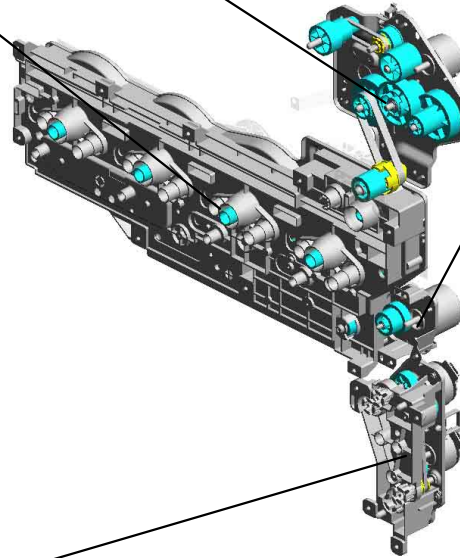
U014 S002
D0BQ1357
DRIVE UNIT:FUSING/PAPER
EXIT UNIT:ASS'Y



U014 S004
D2391117
DRIVE UNIT:ENGINE:ASS'Y:
D238/D239



U014 S003
D1491351
DRIVE UNIT:REGISTRATION:
ASS'Y

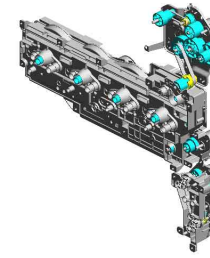
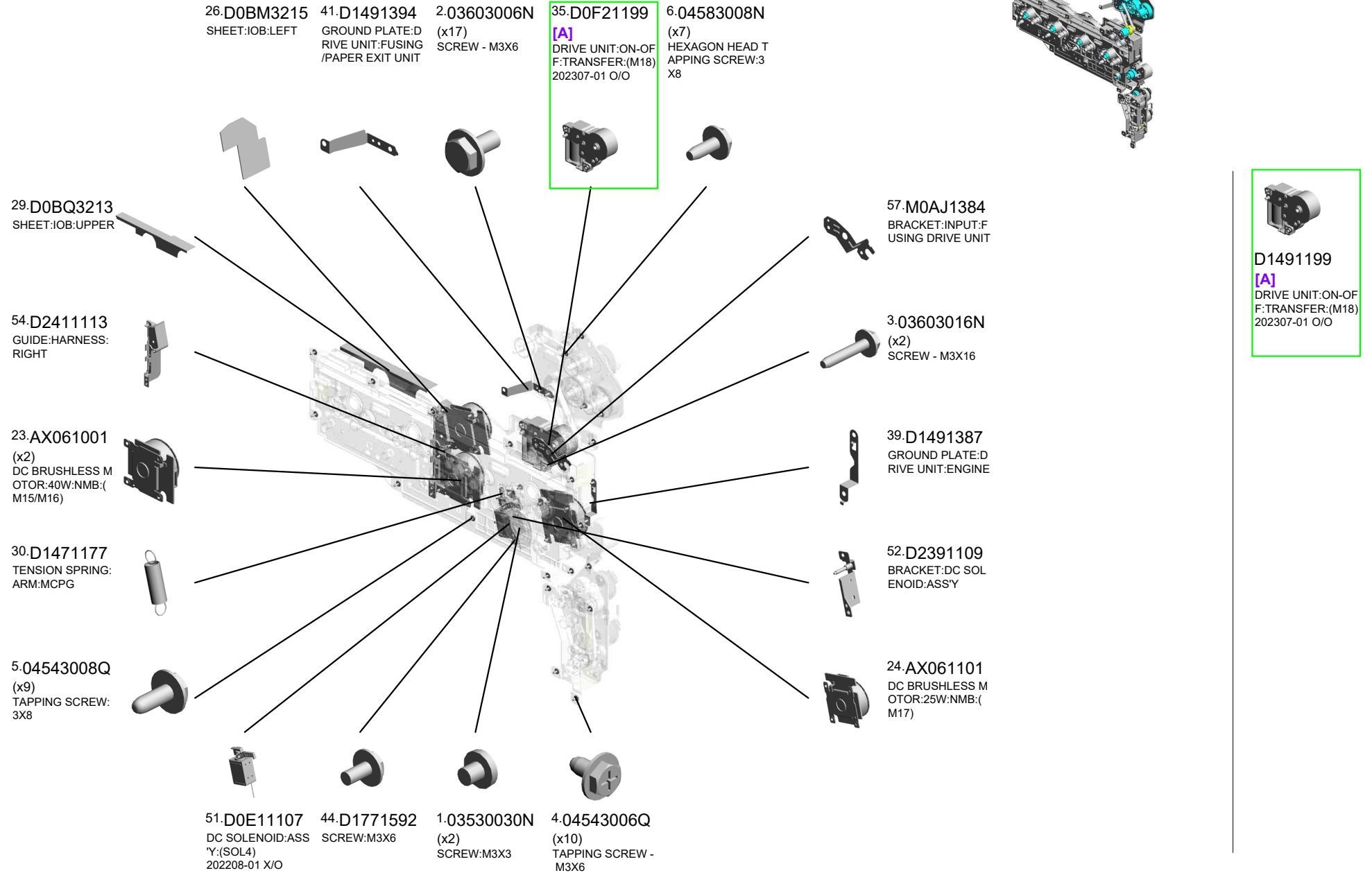


U014 S001
D0BQ1399
DRIVE UNIT:PAPER FEED:AS
SY



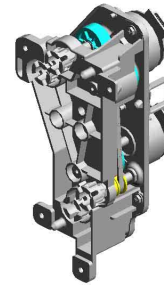
| | | | | | | | | | | | | | | | | | |
|------|------|------|------|------|------|------|------|------|------|------|------|------|------|------|------|------|------|
| U001 | U002 | U003 | U004 | U005 | U006 | U007 | U008 | U009 | U010 | U011 | U012 | U013 | U014 | U015 | U016 | U017 | U018 |
|------|------|------|------|------|------|------|------|------|------|------|------|------|------|------|------|------|------|

U014 MAIN DRIVE



| | | | | | | | | | | | | | | | | | |
|------|------|------|------|------|------|------|------|------|------|------|------|------|------|------|------|------|------|
| U001 | U002 | U003 | U004 | U005 | U006 | U007 | U008 | U009 | U010 | U011 | U012 | U013 | U014 | U015 | U016 | U017 | U018 |
|------|------|------|------|------|------|------|------|------|------|------|------|------|------|------|------|------|------|

U014_S001
DRIVE UNIT:PAPER FEED:ASS'Y



28.D0BQ1399
DRIVE UNIT:PAPE
R FEED:ASS'Y

11.08050104 (x3) RETAINING RINGS
-E:SILENCER:DIA4
48.D2021193 (x2) STUD:PAPER FEE
D:GRIP:ASS'Y
47.D2021191 GEAR:GRIP:NO.1
7.06320100G (x2) PIN - 2X10MM
34.D1491197 GEAR:IDLER:PAPE
R FEED:GRIP:NO.1

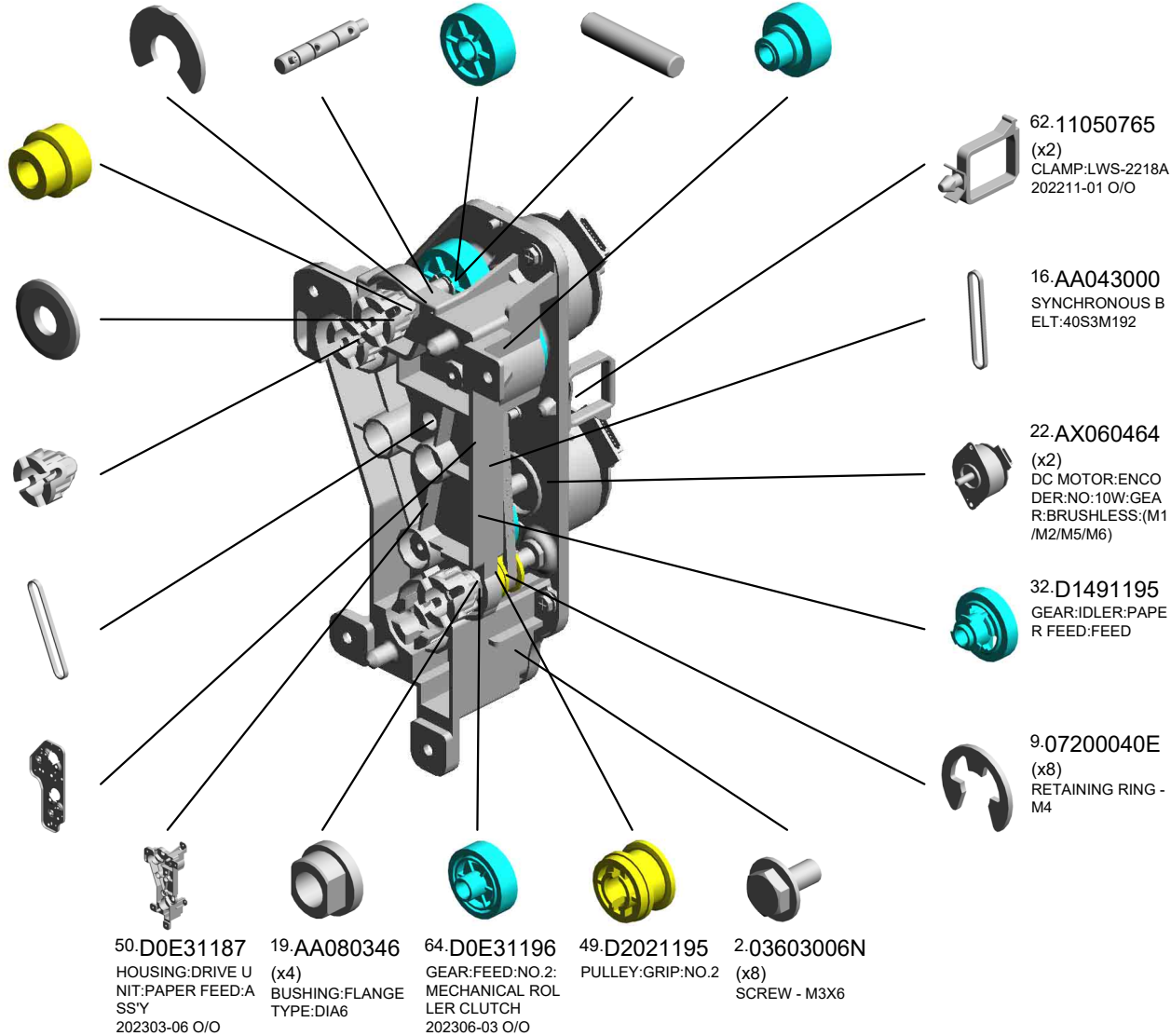
63.D0E31194
PULLEY:FEED:NO.
1:MECHANICAL RO
LLER CLUTCH
202306-04 O/O

40.D1491392
FLANGE:PAPER F
EED:FEED

45.D2021143
(x4)
JOINT:DRIVE

17.AA043623
TIMING BELT - B40
S2M180

46.D0E31152
BRACKET:DRIVE U
NIT:PAPER FEED:A
SS'Y
202306-02 O/O



62.11050765
(x2)
CLAMP:LWS-2218A
202211-01 O/O

16.AA043000
SYNCHRONOUS B
ELT:40S3M192

22.AX060464
(x2)
DC MOTOR:ENCO
DER:NO:10W:GEA
R:BRUSHLESS:(M1
/M2/M5/M6)

32.D1491195
GEAR:IDLER:PAPE
R FEED:FEED

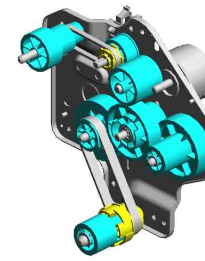
9.07200040E
(x8)
RETAINING RING -
M4

50.D0E31187 HOUSING:DRIVE U
NIT:PAPER FEED:A
SS'Y
202303-06 O/O
19.AA080346 (x4)
BUSHING:FLANGE
TYPE:DIA6
64.D0E31196 GEAR:FEED:NO.2:
MECHANICAL RO
LLER CLUTCH
202306-03 O/O
49.D2021195 PULLEY:GRIP:NO.2
2.03603006N (x8)
SCREW - M3X6

| | | | | | | | | | | | | | | | | | |
|------|------|------|------|------|------|------|------|------|------|------|------|------|------|------|------|------|------|
| U001 | U002 | U003 | U004 | U005 | U006 | U007 | U008 | U009 | U010 | U011 | U012 | U013 | U014 | U015 | U016 | U017 | U018 |
|------|------|------|------|------|------|------|------|------|------|------|------|------|------|------|------|------|------|

U014_S002

DRIVE UNIT:FUSING/PAPER EXIT UNIT:ASS'Y



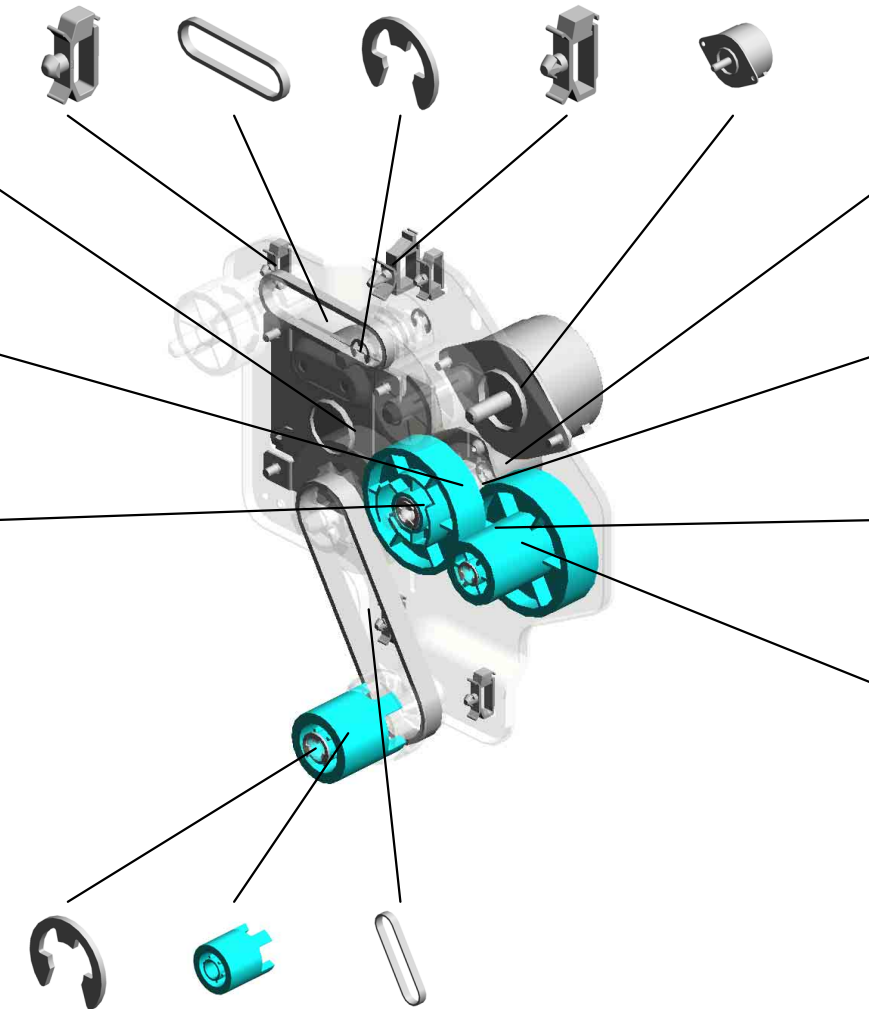
27.D0BQ1357
DRIVE UNIT:FUSIN
G/PAPER EXIT UNI
T:ASSY

- 14.11050760 (x5)
CLAMP:LWSM-051
1A
- 58.D0894465
SYNCHRONOUS B
ELT:S2M:136
- 9.07200040E (x5)
RETAINING RING -
M4
- 15.11050762
CLAMP:LWS-0711A
- 20.AX050349
DC MOTOR:ENCO
DER:NO:7W:GEAR:
BRUSHLESS:(M4)

25.AX061202
DC BRUSHLESS M
OTOR:25W:NID:FU
SING UNIT:(M8)

8.06320140G
PARALLEL PIN

59.D0BQ1375
GEAR:PRESSURE
RELEASE:NO.1:ME
CHANICAL ROLLE
R CLUTCH:U



42.D1491397
TORQUE LIMITER
MECHANICAL CLU
TCH:49MMM:DIA14

56.D2411396
HOLDER:TORQUE
LIMITER MECHANI
CAL CLUTCH:PRE
SSURE RELEASE

2.03603006N
(x7)
SCREW - M3X6

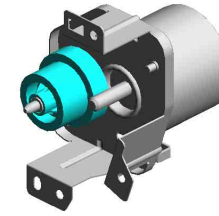
43.D1751377
GEAR:PRESSURE
RELEASE:NO.3

- 10.07200060E
RETAINING RING -
M6
- 55.D2411378
GEAR:FUSING:NO.
3
- 18.AA043777
SYNCHRONOUS B
ELT:80S3M213

| | | | | | | | | | | | | | | | | | |
|------|------|------|------|------|------|------|------|------|------|------|------|------|------|------|------|------|------|
| U001 | U002 | U003 | U004 | U005 | U006 | U007 | U008 | U009 | U010 | U011 | U012 | U013 | U014 | U015 | U016 | U017 | U018 |
|------|------|------|------|------|------|------|------|------|------|------|------|------|------|------|------|------|------|

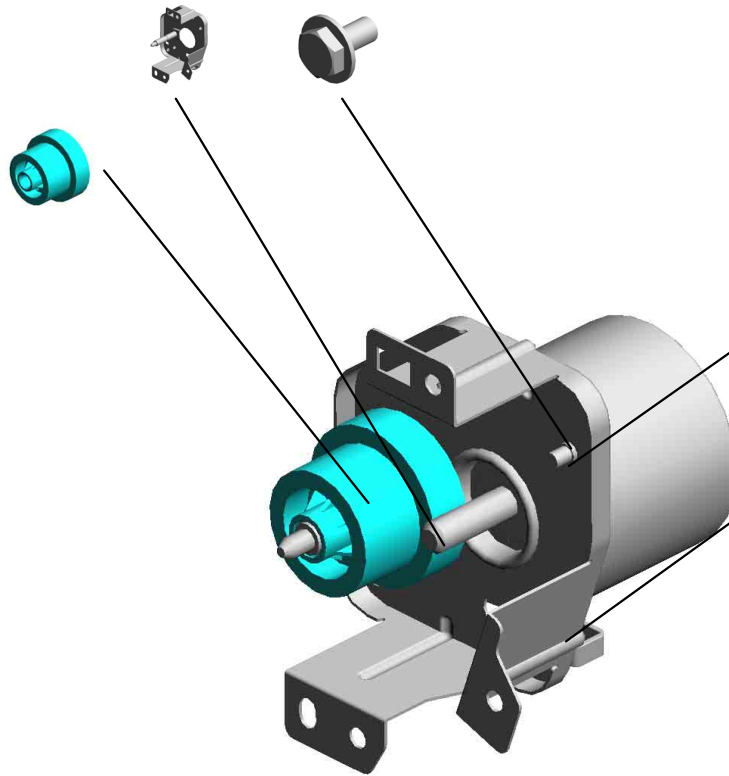
U014_S003
 DRIVE UNIT:REGISTRATION:ASS'Y

37.D1491352 2-03603006N
 BRACKET:DRIVE U (x2)
 NIT:REGISTRATION:ASS'Y SCREW - M3X6



36.D1491351
 DRIVE UNIT:REGISTRATION:ASS'Y

38.D1491355
 GEAR:REGISTRATION:NO.1



21.AX060435
 DC MOTOR:GEAR:10W:BRUSHLESS:(M7)



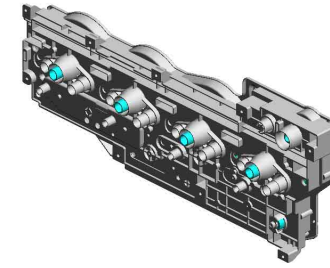
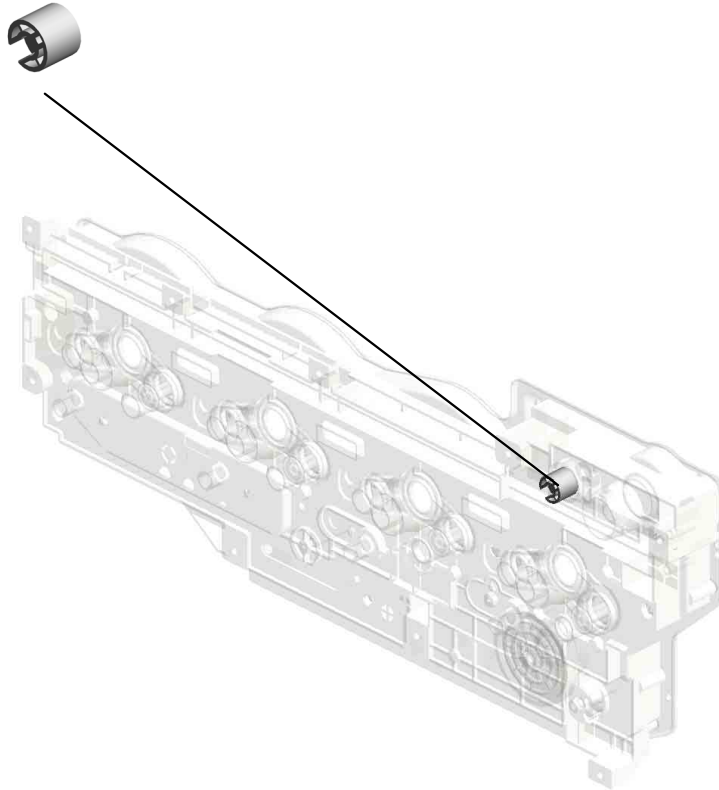
13.11050759
 CLAMP:LWSM-0605A



| | | | | | | | | | | | | | | | | | |
|------|------|------|------|------|------|------|------|------|------|------|------|------|------|------|------|------|------|
| U001 | U002 | U003 | U004 | U005 | U006 | U007 | U008 | U009 | U010 | U011 | U012 | U013 | U014 | U015 | U016 | U017 | U018 |
|------|------|------|------|------|------|------|------|------|------|------|------|------|------|------|------|------|------|

U014_S004
DRIVE UNIT:ENGINE:ASS'Y:D238/D239

60.B2231163
JOINT:ON-OFF:INT
ERMEDIATE TRAN
SFER

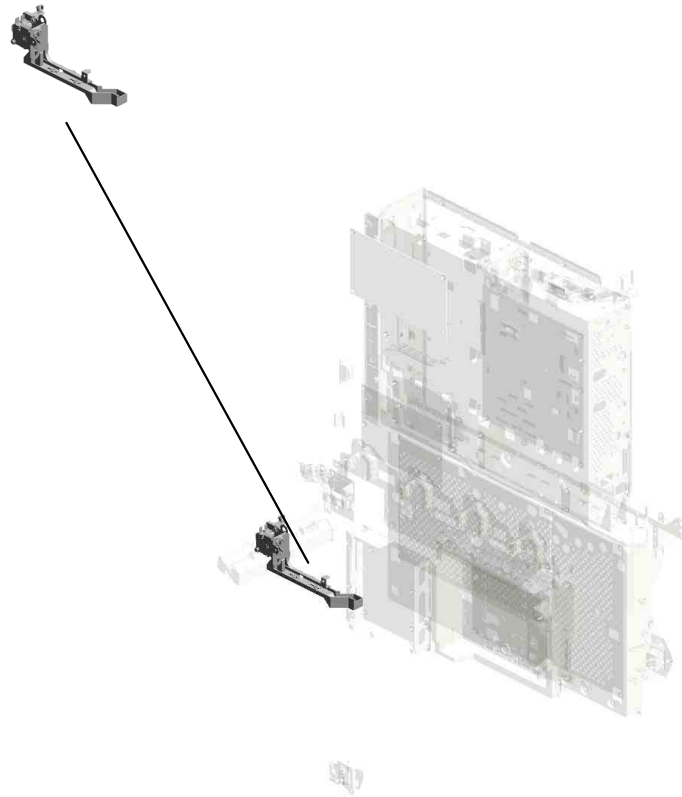


53.D2391117
DRIVE UNIT:ENGIN
E:ASS'Y:D238/D239

| | | | | | | | | | | | | | | | | | |
|------|------|------|------|------|------|------|------|------|------|------|------|------|------|------|------|------|------|
| U001 | U002 | U003 | U004 | U005 | U006 | U007 | U008 | U009 | U010 | U011 | U012 | U013 | U014 | U015 | U016 | U017 | U018 |
|------|------|------|------|------|------|------|------|------|------|------|------|------|------|------|------|------|------|

U015.ELECTRICAL

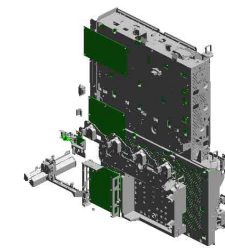
U015 S001
D0BQR041
SAFETY SWITCH:ASS'Y



| | | | | | | | | | | | | | | | | | |
|------|------|------|------|------|------|------|------|------|------|------|------|------|------|------|------|------|------|
| U001 | U002 | U003 | U004 | U005 | U006 | U007 | U008 | U009 | U010 | U011 | U012 | U013 | U014 | U015 | U016 | U017 | U018 |
|------|------|------|------|------|------|------|------|------|------|------|------|------|------|------|------|------|------|

U015 ELECTRICAL

12.04583008N (x25) HEXAGON HEAD TAPPING SCREW:3 X8
 11.04543020Q (x2) TAPPING SCREW:: 3X20
 24.11050760 CLAMP:LWSM-051 1A
 30.16072525 FERRITE CORE:K3 FF 35.00X14.60X7.70X1.40
 9.04543008Q (x2) TAPPING SCREW: 3X8



1.03530060N
BIND SCREW - M3 X6



3.04513006N
(x13)
TAPPING SCREW - 3X6



6.04543006N
(x16)
TAPPING SCREW: ROUND POINT:3X6



19.11050725
CLAMPS:WES-111 7



7.04543006Q
(x67)
TAPPING SCREW - M3X6



16.11050692
CLAMP:LES-0503



22.11050758
CLAMP:LWSM-030 6A



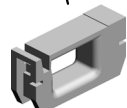
10.04543010Q
(x5)
TAPPING SCREW: 3X10



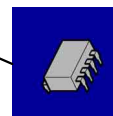
23.11050759
(x15)
CLAMP:LWSM-060 5A



17.11050723
CLAMPS:WES-050 7



29.14078389
EEPROM:BR24T12 8-W



2.03603006N
(x2)
SCREW - M3X6



18.11050724
CLAMPS:WES-121 0



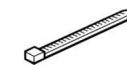
27.11050765
(x7)
CLAMP:LWS-2218A



20.11050726
(x2)
CLAMPS:WES-221 7



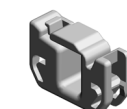
14.11050046
(x181)
HARNESS BAND



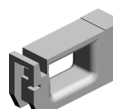
15.11050488
(x6)
HARNESS CLAMP



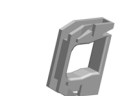
16.11050692
(x2)
CLAMP:LES-0503



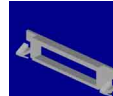
17.11050723
(x3)
CLAMPS:WES-050 7



18.11050724
(x2)
CLAMPS:WES-121 0



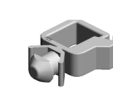
21.11050752
SADDLE:EDS-3005 LS-V0



22.11050758
(x9)
CLAMP:LWSM-030 6A

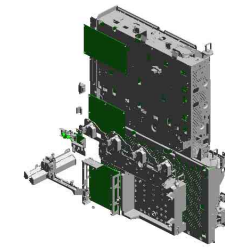


23.11050759
(x41)
CLAMP:LWSM-060 5A



U015 ELECTRICAL

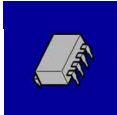
46.D0BM1255 COVER:LEFT:INTERFACE
 39.AZ320239 POWER PACK:TTS:L:(PCB16)
 42.D0895887 PANEL:INTERFAC E
 53.D0BQ5611 PCB:DDR3L-DIMM: 2GB
 36.AX640236 FAN:MM60X15:(FAN4/FAN7)



41.D0895824 COVER:SD-CARD: D086/D087



45.D0BL9591 NVRAM: ZERO CO UNTER



35.AA161167 (x4) BUSHING:HDD



51.D0BQ5190 (x2) PCB:MSENS1:(S49)



52.D0BQ5192 PCB:MSENS2:(PCB 18)



48.D0BQ5127 (CHN):PCB:IOB:TR ANSPORT:(PCB1)



49.D0BQ5129 (CHN):PCB:IOB:EN GINE:(PCB2)



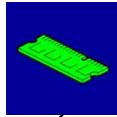
34.AA143848 (x4) STEPPED SCREW - M3



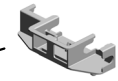
38.AZ320233 POWER PACK:CB: H:(PCB19)



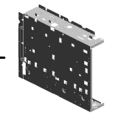
50.D0BQ5186 (EU/AA/KOR/CHN): AC CONTROL BOARD:(PCB9)



56.D0BQ5802 GUIDE:HARNESS: RACK



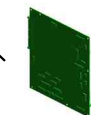
54.D0BQ5791 RACK:BASE



55.D0BQ5796 RACK:MIDDLE



47.D0BM5115 (CHN):BICU:RAI:AS S'Y:(PCB10) 202211-05 O/O



33.AA143592 SCREW- M4X6



24.11050760 (x36) CLAMP:LWSM-051 1A



25.11050762 (x12) CLAMP:LWS-0711A



26.11050764 (x7) CLAMP:LWS-1316A



27.11050765 (x6) CLAMP:LWS-2218A



4.04513008N(x14) TAPPING SCREW - M3X8

6.04543006N(x 2) TAPPING SCREW:ROUND POINT:3X8

7.04543006Q(x 8) TAPPING SCREW - M3X6

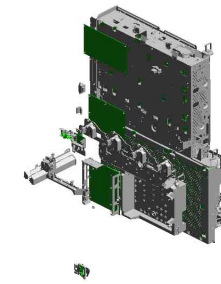
8.04543008N(x 3) TAPPING SCREW:ROUND POINT:3X8

9.04543008Q(x 2) TAPPING SCREW:3X8

12.04583008N(x 4) HEXAGON HEAD TAPPING SCREW:3X 8

U015 ELECTRICAL

67.D1495776 COVER:USB:SMAL L
 71.D2395772 PANEL:CONTROL BOARD:D238/D239
 72.D2395888 COVER:FAX
 73.D2395889 RAIL:FAX
 81.D2415803 GUIDE:HARNESS:C/T BOX



58.D1465786 BRACKET:HDD



84.D2415832 (x4) CAP:GUIDE:COIL SPRING



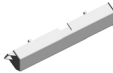
75.D2415712 PLATE:HUMAN DETECTION SENSOR



74.D2415707 BRACKET:HUMAN DETECTION SENSOR



66.D1495742 COVER:HARNESS:OPTICAL WRITING UNIT



76.D2415738 BRACKET:MAIN SWITCH 202101-02 X/O



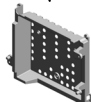
83.D2415831 (x4) CAP:GUIDE:WIRE



70.D1495824 COVER:CONNECTOR:HEATER:0.4MM



78.D0E35765 CASE:POWER PACK:CB 202303-02 O/O



77.D2415764 COVER:POWER PACK:CB



68.D1495810 BRACKET:RACK:UPPER



80.D2415801 COVER:RACK:REAR



79.D2415800 RACK:RIGHT:AUXILIARY



82.D2415817 GUIDE:FFC:2

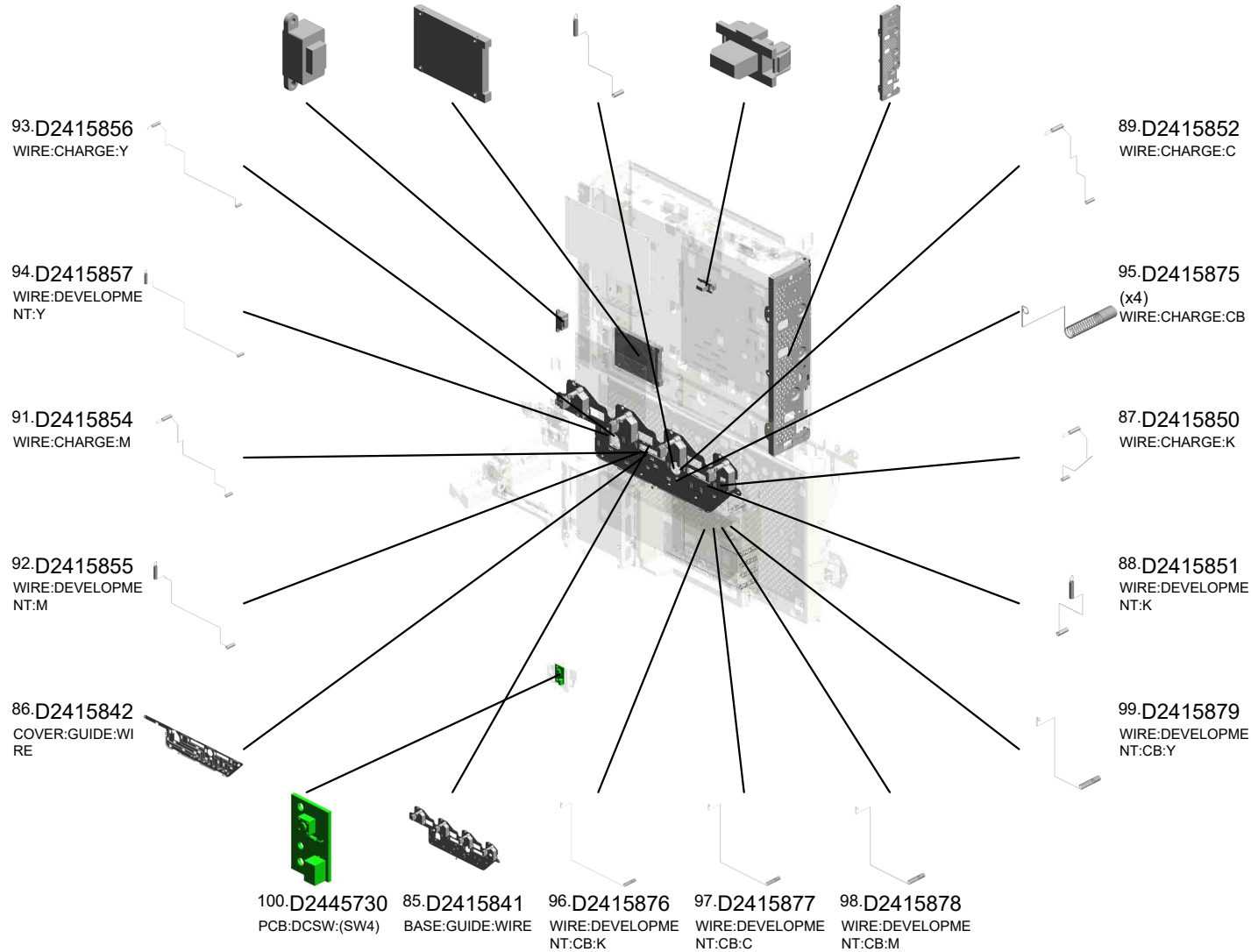
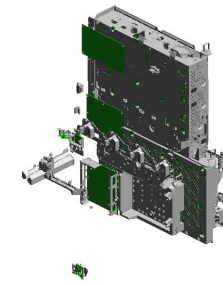


69.D1495818 SPACER:FFC



U015 ELECTRICAL

106.11036252 CONNECTOR:16R-GRM-DH3GB-RG-A
 101.M4445201 HDD:320GB:AQUARIUS:(PCB12)
 90.D2415853 WIRE:DEVELOPMENT:C
 109.11036266 CONNECTOR:16R G022-3218
 108.D2415797 FRAME:RACK:RIG HT:PEEN

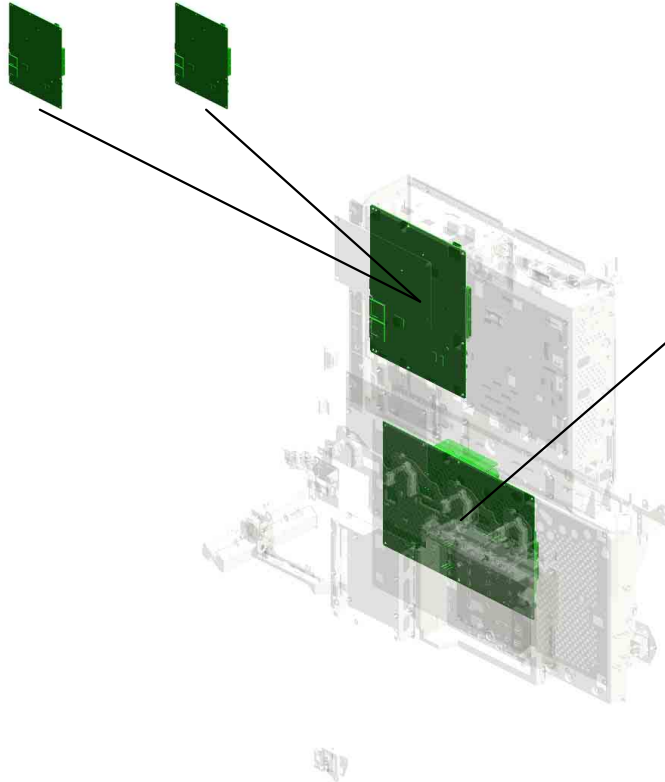
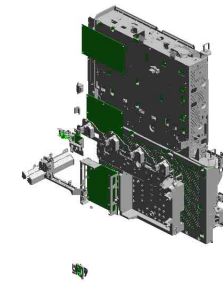


| | | | | | | | | | | | | | | | | | |
|------|------|------|------|------|------|------|------|------|------|------|------|------|------|------|------|------|------|
| U001 | U002 | U003 | U004 | U005 | U006 | U007 | U008 | U009 | U010 | U011 | U012 | U013 | U014 | U015 | U016 | U017 | U018 |
|------|------|------|------|------|------|------|------|------|------|------|------|------|------|------|------|------|------|

U015 ELECTRICAL

112.D0BL5829 (IM C3500/C3500A/
C3500G):PCB:CTL:
SERVICE:(PCB11)
202207-01 O/O

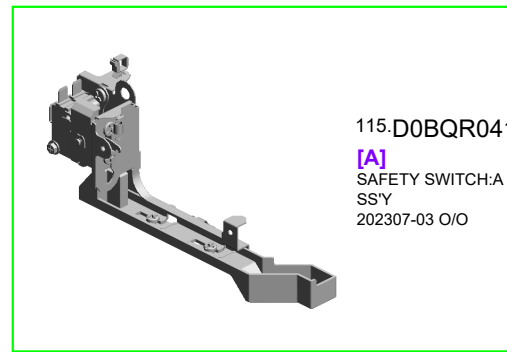
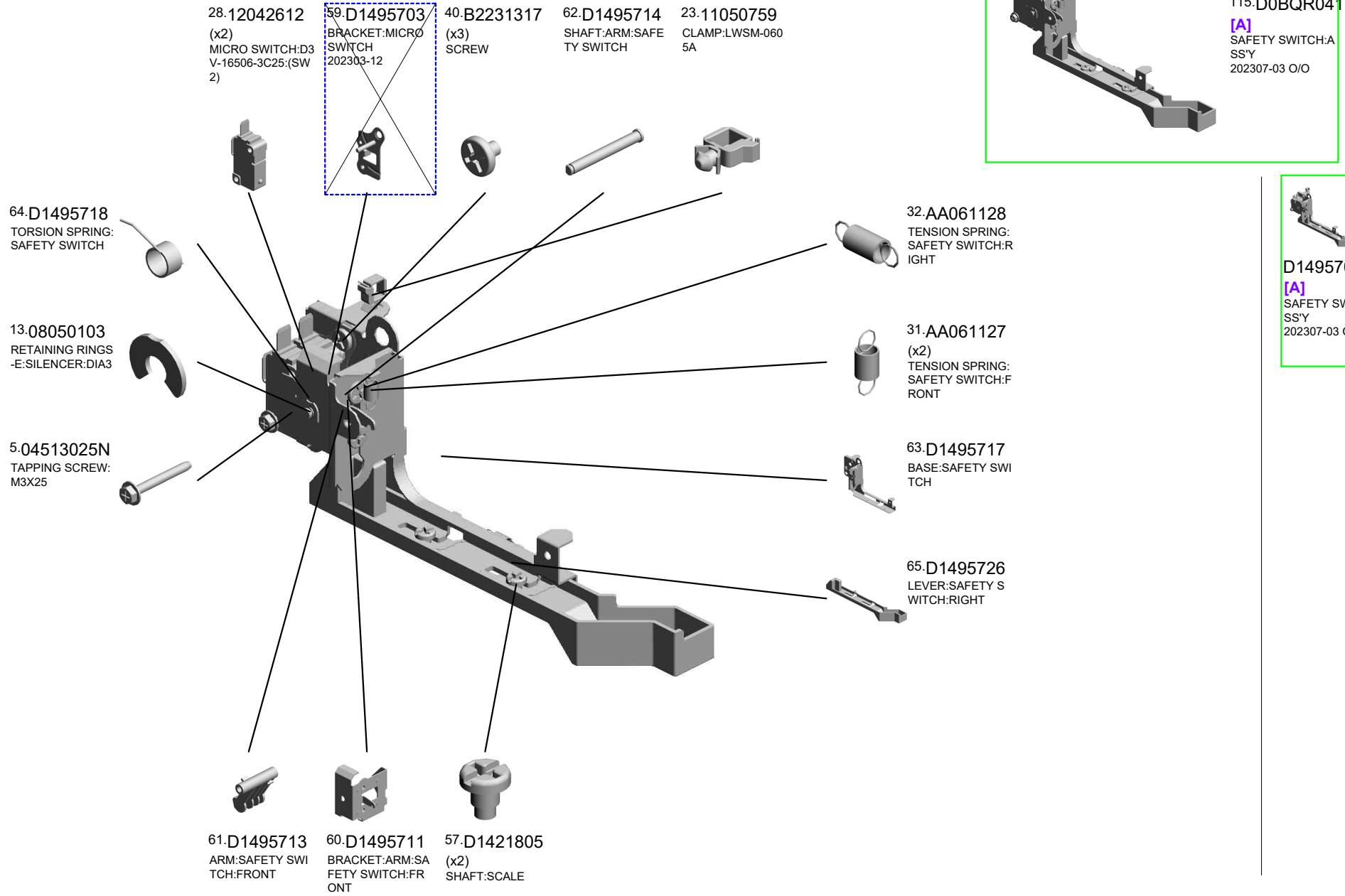
113.D0BL5828 (IM C3000/C3000A/
C3000G/GS3030c):
PCB:CTL:SERVICE:
(PCB11)
202210-02 O/O



114.AZ240402
(EU/AA/KOR/CHN):
DC POWER SUPPL
Y:(PCB8)
202302-03 O/O

| | | | | | | | | | | | | | | | | | |
|------|------|------|------|------|------|------|------|------|------|------|------|------|------|------|------|------|------|
| U001 | U002 | U003 | U004 | U005 | U006 | U007 | U008 | U009 | U010 | U011 | U012 | U013 | U014 | U015 | U016 | U017 | U018 |
|------|------|------|------|------|------|------|------|------|------|------|------|------|------|------|------|------|------|

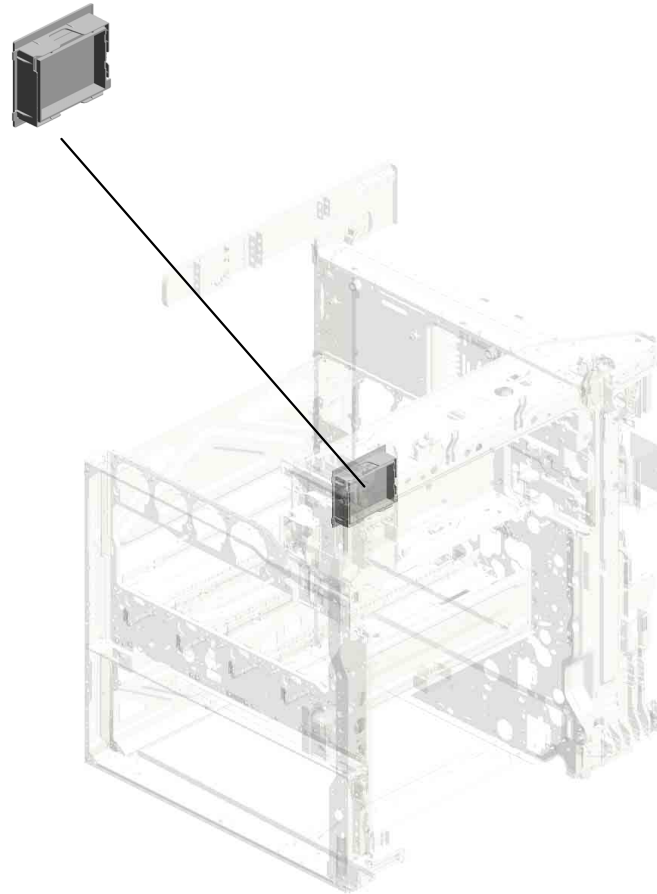
U015_S001
SAFETY SWITCH:ASS'Y



| | | | | | | | | | | | | | | | | | |
|------|------|------|------|------|------|------|------|------|------|------|------|------|------|------|------|------|------|
| U001 | U002 | U003 | U004 | U005 | U006 | U007 | U008 | U009 | U010 | U011 | U012 | U013 | U014 | U015 | U016 | U017 | U018 |
|------|------|------|------|------|------|------|------|------|------|------|------|------|------|------|------|------|------|

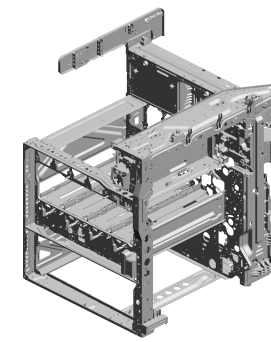
U016.MAIN FRAME

U016 S001
D0BQ7935
CAP:FILTER:ASS'Y



| | | | | | | | | | | | | | | | | | |
|------|------|------|------|------|------|------|------|------|------|------|------|------|------|------|------|------|------|
| U001 | U002 | U003 | U004 | U005 | U006 | U007 | U008 | U009 | U010 | U011 | U012 | U013 | U014 | U015 | U016 | U017 | U018 |
|------|------|------|------|------|------|------|------|------|------|------|------|------|------|------|------|------|------|

U016 MAIN FRAME



- 11.08025328 (x2) HEXAGON HEAD TAPPING SCREW:3 X40
- 16.AX650064 DC FAN MOTOR:SI ROCCO:DC24V:PW M:(FAN3)
- 12.11050764 CLAMP:LWS-1316A
- 20.D1175303 THERMISTOR:(S33)
- 23.D1477952 DUCT:SUPPLY:B

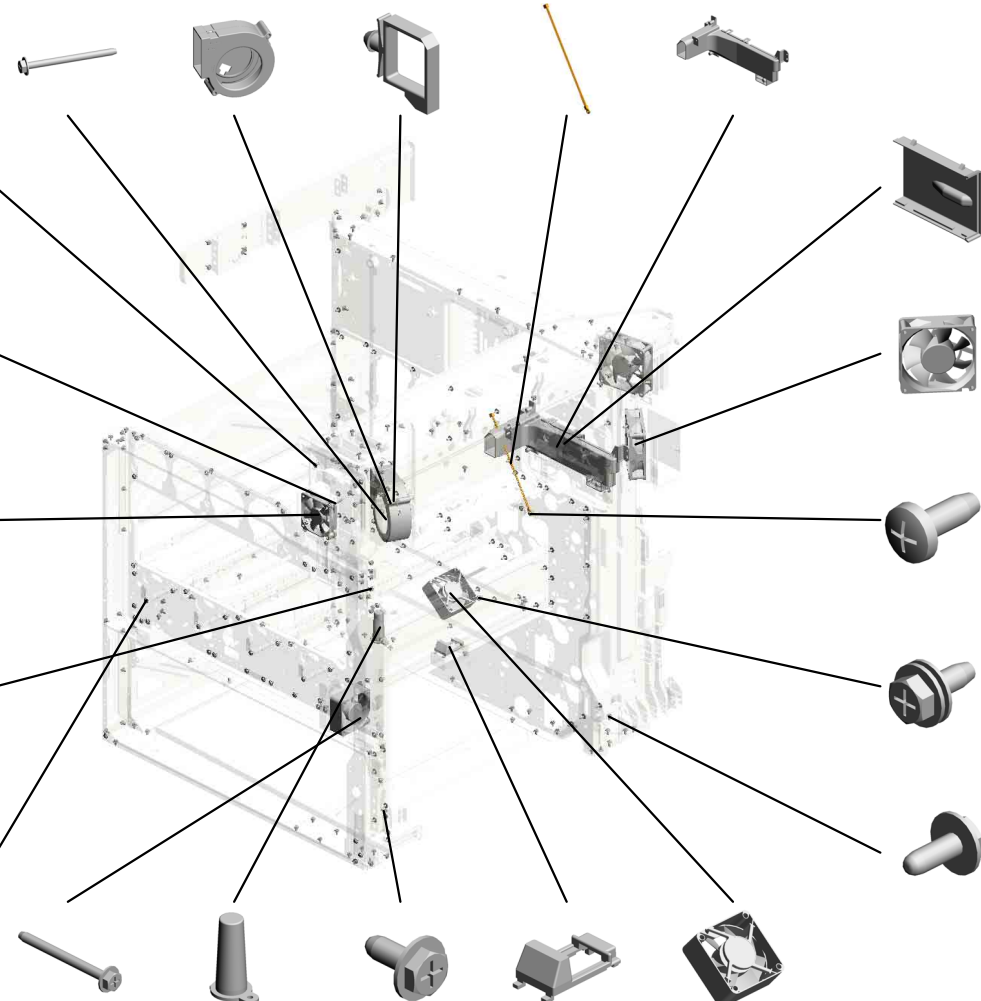
- 9.04583008N (x65) HEXAGON HEAD TAPPING SCREW:3 X8

- 2.04503025N (x2) TAPPING SCREW: 3X25

- 15.AX640236 FAN:MM60X15:(FAN4/FAN7)

- 6.04543006Q (x228) TAPPING SCREW - M3X6

- 1.03603006N (x4) SCREW - M3X6



- 3.04503035N (x2) TAPPING SCREW: 3X35

- 18.B2381089 COVER - POSITIONING PIN

- 7.04543008N TAPPING SCREW: ROUND POINT:3X8

- 17.B2381088 COVER - CONNECTOR

- 14.AX640219 (x2) DC FAN MOTOR:D C24V:MM60:25MM:(FAN2/FAN6)

- 22.D1477951 DUCT:SUPPLY:A

- 13.AX640199 (x2) FAN:MM80:25MM:D C 2.16W:(FAN5)

- 5.04533008N BINDING SELF TAPPING SCREW:3X8

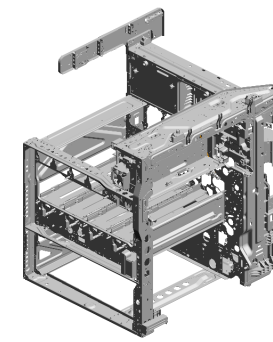
- 10.08025299 TAPPING SCREW - M3X8

- 8.04543008Q (x19) TAPPING SCREW: 3X8

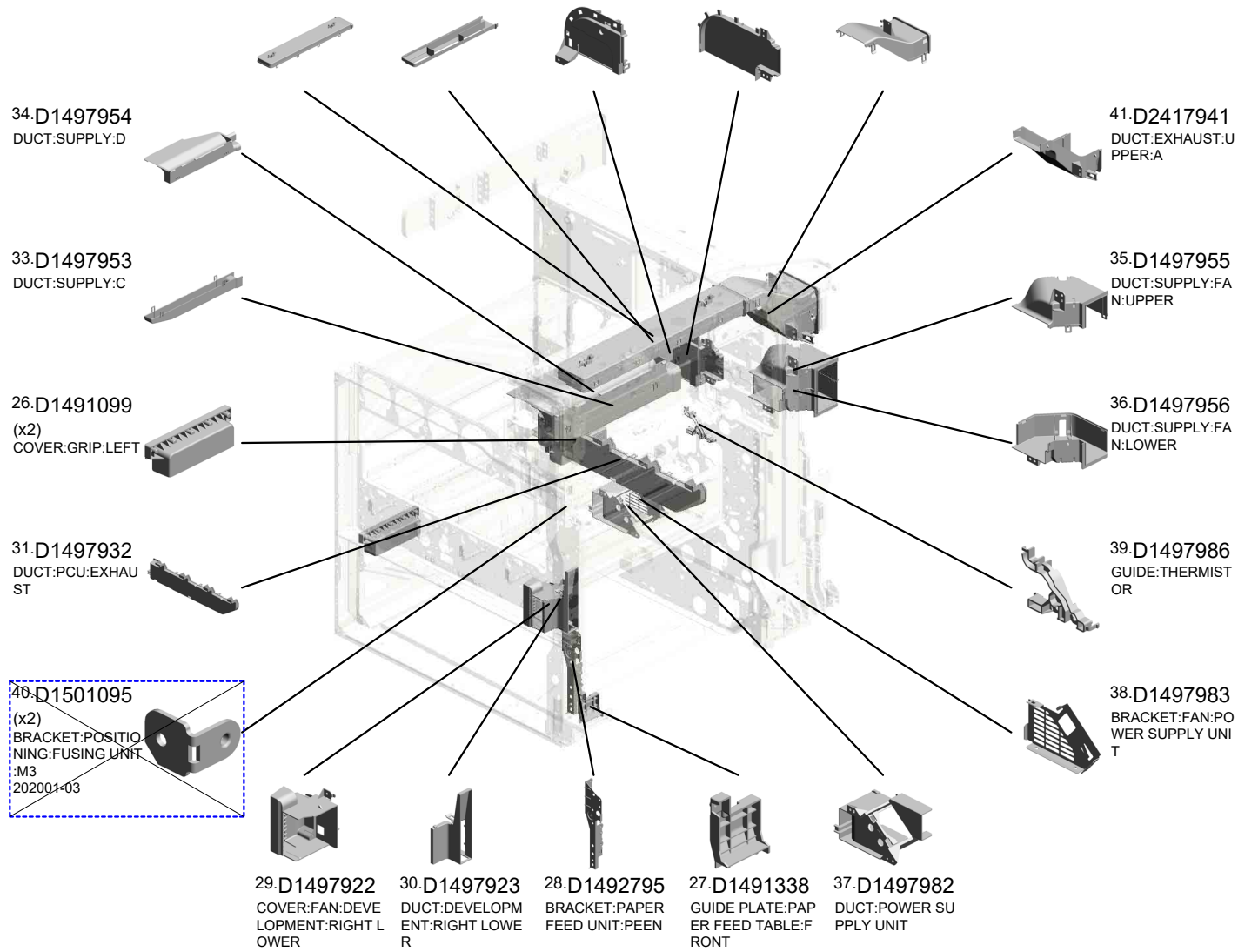
- 4.04513006N (x 6) TAPPING SCREW - 3X6
- 9.04583008N (x 2) HEXAGON HEAD TAPPING SCREW:3X8

| | | | | | | | | | | | | | | | | | |
|------|------|------|------|------|------|------|------|------|------|------|------|------|------|------|------|------|------|
| U001 | U002 | U003 | U004 | U005 | U006 | U007 | U008 | U009 | U010 | U011 | U012 | U013 | U014 | U015 | U016 | U017 | U018 |
|------|------|------|------|------|------|------|------|------|------|------|------|------|------|------|------|------|------|

U016 MAIN FRAME

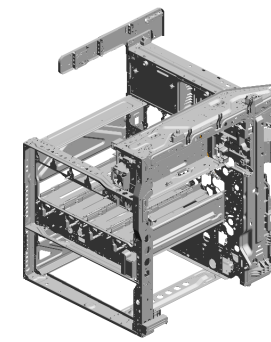


- 43.D2417943 DUCT:EXHAUST:UPPER:C
- 44.D2417944 DUCT:EXHAUST:UPPER:D
- 25.D1477957 DUCT:EXHAUST:DRIVE:B
- 24.D1477956 DUCT:EXHAUST:DRIVE:A
- 42.D2417942 DUCT:EXHAUST:UPPER:B



| | | | | | | | | | | | | | | | | | |
|------|------|------|------|------|------|------|------|------|------|------|------|------|------|------|------|------|------|
| U001 | U002 | U003 | U004 | U005 | U006 | U007 | U008 | U009 | U010 | U011 | U012 | U013 | U014 | U015 | U016 | U017 | U018 |
|------|------|------|------|------|------|------|------|------|------|------|------|------|------|------|------|------|------|

U016 MAIN FRAME



- 51.M0AJ1093 (x4) COMPRESSION SPRING:LOCK:PCU
- 58.M0AJ7995 SEAL:DUCT:DEVELOPMENT:EXHAUST
- 56.M0AJ7993 DUCT:DEVELOPMENT:EXHAUST:C
- 57.M0AJ7994 SEAL:CAP:FILTER

48.GA003933 (x4) DECAL:OPERATE:4X10.5



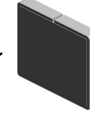
52.M0AJ1098 (x4) LEVER:LOCK:PCU:M-PAC



50.M0AJ1092 (x4) CAM:LOCK:PCU



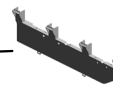
45.M0BW7945 DEODORIZE FILTER 202203-07 X/O



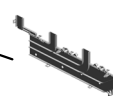
55.M0AJ7992 DUCT:DEVELOPMENT:EXHAUST:B



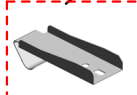
46.D2417983 DUCT:DEVELOPMENT:REAR:A



47.D2417984 DUCT:DEVELOPMENT:REAR:B



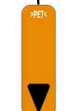
59.D1491077 (x2) PLATE:OPTICAL WRITING MD 202307-02



54.M0AJ7991 DUCT:DEVELOPMENT:EXHAUST:A



49.GA003969 (x2) DECAL:POSITIONING DISPLAY:FUSION UNIT:MAIN

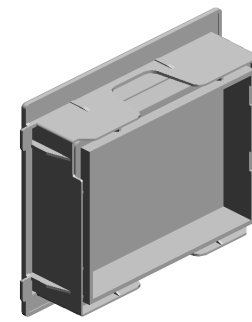


| | | | | | | | | | | | | | | | | | |
|------|------|------|------|------|------|------|------|------|------|------|------|------|------|------|------|------|------|
| U001 | U002 | U003 | U004 | U005 | U006 | U007 | U008 | U009 | U010 | U011 | U012 | U013 | U014 | U015 | U016 | U017 | U018 |
|------|------|------|------|------|------|------|------|------|------|------|------|------|------|------|------|------|------|

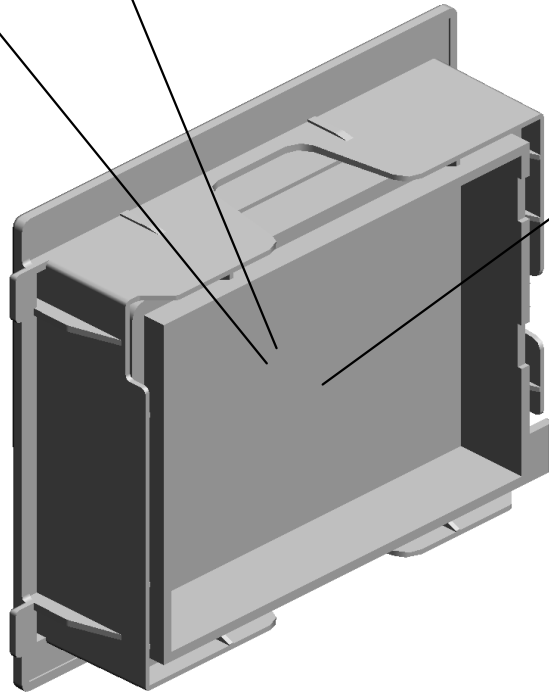
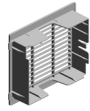
U016_S001
CAP:FILTER:ASS'Y

32.D1497938
OZONE FILTER

53.M0AJ7936
CAP:LOUVER:FILTER:LEFT



19.D0BQ7935
CAP:FILTER:ASS'Y

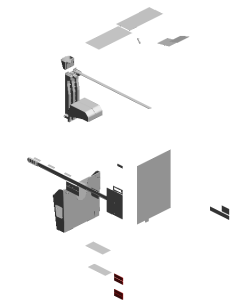


21.D0BQ7937
FILTER:PREVENTF
ENCE:13.5
202009-03 O/O

| | | | | | | | | | | | | | | | | | |
|------|------|------|------|------|------|------|------|------|------|------|------|------|------|------|------|------|------|
| U001 | U002 | U003 | U004 | U005 | U006 | U007 | U008 | U009 | U010 | U011 | U012 | U013 | U014 | U015 | U016 | U017 | U018 |
|------|------|------|------|------|------|------|------|------|------|------|------|------|------|------|------|------|------|

U017 ACCESSORIES

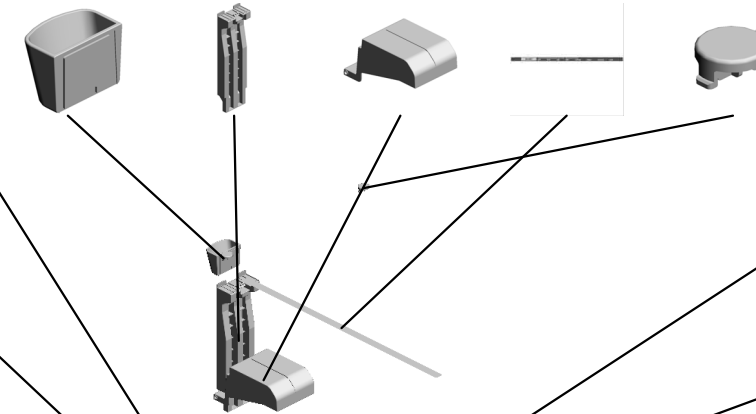
- 16.D2581317 (x3) HOLDER:GLASS:CLEANER:ASS'Y
- 9.D1491299 (x3) GUIDE PLATE:SCANNER
- 15.D2414472 (x3) END FENCE:TRAY:EXIT:ASS'Y
- 10.D1496767 (x3) (CHN):DECAL:CAUTION:ORIGINAL:CHINESE
- 14.D2411788 (x6) CAP:COVER:POSITIONING



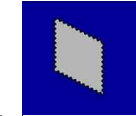
13.D1771302 (x3) CLEANER:SHIELD GLASS:ASS'Y

2.AA001659 (x2) PLATE:LOGOTYPE:RIC

4.D0BQ6881 (CHN[GS3030c]/AA/KOR):PLATE:LOGO TYPE:GESTETNER



11.D1496852 (x3) (EU/TWN/CHN):DECAL:MAIN SWITCH:ON-STANDBY



3.B0651374 (x3) CLOTH - DF EXPOSURE GLASS

5.D0BQ6888 (GS3030c):PLATE:MODEL NAME PLATE:GS3030C

1. 11500442 (x 3) (CHN):POWER SUPPLY CODE:250V:10A

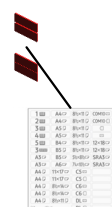
8.D1491264 (x3) CAP:ROCKER SWITCH

17.M0AJ6891 (x3) (CHN):DECAL:INKJET:MANUAL FEED

6.D0BQ6896 (IM C3500/C3500A/C3500G):PLATE:MODEL NAME PLATE:C3500

7.D0BQ6897 (IM C3000/C3000A/C3000G):PLATE:MODEL NAME PLATE:C3000

12.D1496862 (x3) DECAL:SIZE INDICATION:PAPER TRAY



U018.KIT:HEATER

U018 S001
D2386640
(EU/AA/KOR/CHN):HEATER:P
APER TRAY:220/240V:ASSY



| | | | | | | | | | | | | | | | | | |
|------|------|------|------|------|------|------|------|------|------|------|------|------|------|------|------|------|------|
| U001 | U002 | U003 | U004 | U005 | U006 | U007 | U008 | U009 | U010 | U011 | U012 | U013 | U014 | U015 | U016 | U017 | U018 |
|------|------|------|------|------|------|------|------|------|------|------|------|------|------|------|------|------|------|

U018
KIT:HEATER

1.D2380072
(EU/AA/KOR/CHN):
HEATER:SCANNER
R:220/240V:ASS'Y

3.D3BR2202
(EU/AA/KOR/CHN):
HEATER:PHOTOC
ONDUCTOR:ASS'Y

4.D3G36650
(EU/AA/KOR/CHN):
ELECTRICAL COM
PONENTS SECTIO
N:SCANNER:200V:
ASS'Y

5.D3G36662
(EU/AA/KOR/CHN):
ELECTRICAL COM
PONENTS SECTIO
N:PAPER TRAY:20
0V:ASS'Y

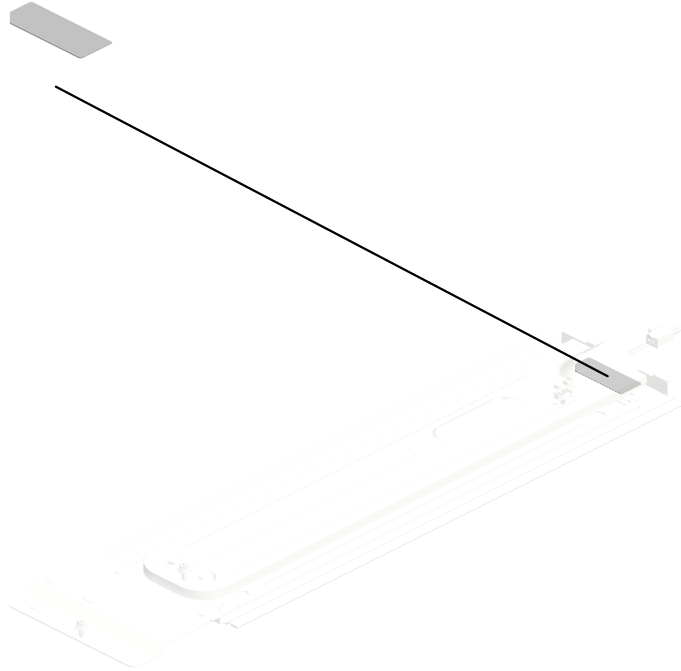
| | | | | | | | | | | | | | | | | | |
|------|------|------|------|------|------|------|------|------|------|------|------|------|------|------|------|------|------|
| U001 | U002 | U003 | U004 | U005 | U006 | U007 | U008 | U009 | U010 | U011 | U012 | U013 | U014 | U015 | U016 | U017 | U018 |
|------|------|------|------|------|------|------|------|------|------|------|------|------|------|------|------|------|------|

U018_S001
(EU/AA/KOR/CHN):HEATER:PAPER TRAY:220/240V:ASS'Y

11.D2412896
SHEET:HEAT SINK:
HEATER

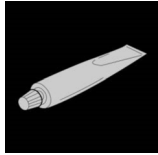


2.D2386640
(EU/AA/KOR/CHN):
HEATER:PAPER T
RAY:220/240V:ASS'
Y



| | | | | | | | | | | | | | | | | | |
|------|------|------|------|------|------|------|------|------|------|------|------|------|------|------|------|------|------|
| U001 | U002 | U003 | U004 | U005 | U006 | U007 | U008 | U009 | U010 | U011 | U012 | U013 | U014 | U015 | U016 | U017 | U018 |
|------|------|------|------|------|------|------|------|------|------|------|------|------|------|------|------|------|------|

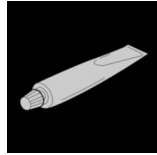
SPECIAL TOOLS



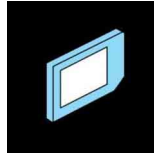
1.52039502
Silicon Grease G-501



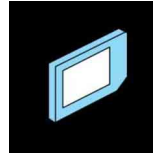
2.A0929503
C4 COLOR TEST CHART (3 PCS/SET)



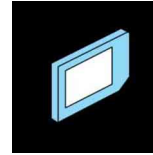
3.A2579300
GREASE - BARRIERTA S552R



4.B6455030
SD-CARD:SERVICE PARTS:2GB:ASS'Y



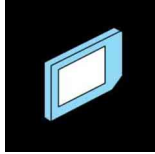
5.B6455040
SD-CARD:SERVICE PARTS:8GB:ASS'Y



6.B6455060
SD-CARD:SERVICE PARTS:16GB:ASS'Y



7.C4019503
20X MAGNIFICATION SCOPE



8.D2388100
SERVICE PARTS:SD-CARD:QMT_PH



9.VSSG9002
FLUOTRIBO MG GREASE : 100G ASE1

Exclusive Parts

| Number | Part Name | Group | ID |
|----------|--|----------------|----|
| 52039502 | Silicon Grease G-501 | SPECIAL TOOLS | 1 |
| 52062686 | SNAP RING | U001 | 6 |
| | | U005_S001_S001 | 14 |
| | | U005_S002_S001 | 14 |
| 52152621 | SNAP RING - M6 | U009 | 8 |
| | | U013 | 19 |
| 54472681 | SNAP RING | U009 | 9 |
| | | U013 | 20 |
| A0929503 | C4 COLOR TEST CHART (3 PCS/SET) | SPECIAL TOOLS | 2 |
| A2324666 | CUSHION - STEPPER MOTOR | U012_S001 | 13 |
| A2501752 | EXPOSURE GLASS | U003 | 21 |
| A2579300 | GREASE - BARRIERTA S552R | SPECIAL TOOLS | 3 |
| AA001659 | PLATE:LOGOTYPE:RIC | U017 | 2 |
| AA021031 | MAGNETIC CATCH | U001 | 7 |
| AA043000 | SYNCHRONOUS BELT:40S3M192 | U014_S001 | 16 |
| AA043623 | TIMING BELT - B40S2M180 | U014_S001 | 17 |
| AA043777 | SYNCHRONOUS BELT:80S3M213 | U014_S002 | 18 |
| AA061127 | TENSION SPRING:SAFETY SWITCH:FRONT | U015_S001 | 31 |
| AA061128 | TENSION SPRING:SAFETY SWITCH:RIGHT | U015_S001 | 32 |
| AA061208 | TENSION SPRING:STRIPPER PLATE | U011_S001 | 18 |
| AA061209 | TENSION SPRING:GATE PAWL | U011_S001 | 19 |
| AA061211 | TENSION SPRING:HOLDER:FUSING EXIT | U011_S001 | 20 |
| AA063732 | COMPRESSION SPRING:PRESSURE ROLLER | U011_S001 | 21 |
| AA063942 | COMPRESSION SPRING:REGISTRATION:DRIVE | U009 | 10 |
| AA063943 | COMPRESSION SPRING:GUIDE PLATE:REGISTRATION:4N | U009 | 11 |
| AA080252 | BUSHING - M4 | U012_S001 | 15 |
| AA080346 | BUSHING:FLANGE TYPE:DIA6 | U009 | 12 |
| | | U010_S001 | 9 |
| | | U014_S001 | 19 |
| AA080387 | PLAIN SHAFT BEARING:EXIT ROLLER | U011_S001 | 22 |

| Number | Part Name | Group | ID |
|----------|---|---------------------|----|
| | LER:FUSING EXIT:RIGHT:FRONT | | |
| AA080388 | PLAIN SHAFT BEARING:EXIT ROLLER:FUSING EXIT:RIGHT:FRONT | U011_S001 | 23 |
| | LER:FUSING EXIT:RIGHT:REAR | | |
| AA082101 | BUSHING - 6X10X6 | U008 | 11 |
| | | U008_S001_S001 | 11 |
| | | U008_S001_S003 | 11 |
| | | U008_S001_S004_S001 | 11 |
| AA082144 | BUSHING - 8X12X7 | U009 | 13 |
| AA082171 | PLAIN SHAFT BEARING:6X10X6 | U013_S001_S001 | 23 |
| AA082173 | PLAIN SHAFT BEARING:6X10X6 | U005 | 15 |
| AA082175 | PLAIN SHAFT BEARING:8X12X7 | U005 | 17 |
| AA082187 | BUSHING:DIA6XDIA10X9:EG-1 | U013_S001_S001 | 25 |
| AA082193 | PLAIN SHAFT BEARING:DIA4XDIA8X5:EG-1-J | U012_S001 | 16 |
| | | U013_S001 | 22 |
| | | U013_S001_S001 | 22 |
| AA082195 | PLAIN SHAFT BEARING:DIA6XDIA10X6 | U005_S001 | 15 |
| | | U005_S002 | 15 |
| | | U012_S001 | 17 |
| | | U013_S001 | 24 |
| | | U013_S001_S001 | 24 |
| AA082196 | BUSHING:DIA6XDIA10X9 | U005_S001 | 16 |
| | | U005_S002 | 16 |
| AA083014 | ONE-WAY CLUTCH | U013_S001 | 26 |
| AA083018 | ROLLER CLUTCH - 6X14X10 | U013_S001 | 27 |
| AA100014 | RETAINING RING C - SEPARATE | U005_S001 | 18 |
| | | U005_S002 | 18 |
| | | U013_S001_S001 | 28 |
| AA100016 | RETAINING RINGS-C:DIA3 | U011_S001 | 24 |
| AA132208 | SPACER - M6 | U008_S001_S001 | 12 |
| AA143219 | STEPPED SCREW | U011 | 25 |
| AA143537 | SCREW:M3:BLACK | U001 | 8 |
| | | U003 | 22 |
| AA143579 | SCREW - M3 | U013_S001_S001 | 29 |
| AA143592 | SCREW- M4X6 | U015 | 33 |
| AA143595 | STEPPED SCREW:M3 | U001 | 9 |
| AA143807 | SCREW:A | U013_S001 | 30 |
| AA143848 | STEPPED SCREW - M3 | U015 | 34 |

Exclusive Parts

| Number | Part Name | Group | ID |
|----------|---|----------------|----|
| AA143850 | FLAT SCREW:M3X5:SIDE FENCE | U013_S001_S002 | 31 |
| AA161167 | BUSHING:HDD | U015 | 35 |
| AB010157 | GEAR:SEPARATE:DRIVEN | U013_S001_S001 | 33 |
| AB011252 | GEAR - 20Z | U013_S001_S001 | 34 |
| AB011571 | GEAR:Z19:DRIVE:REGISTRATION | U009 | 14 |
| AB011572 | GEAR:Z19:DRIVEN:REGISTRATIO N | U005 | 19 |
| AB011573 | GEAR:REGISTRATION:NO.2 | U005 | 20 |
| AB012099 | GEAR:ON-OFF:PRESSURE ROLLE R | U011_S001 | 26 |
| AB012107 | GEAR:IDLER:EXIT:FUSING EXIT:1 | U011_S001 | 27 |
| AB012108 | GEAR:IDLER:EXIT:FUSING EXIT:2 | U011_S001 | 28 |
| AB012109 | GEAR:IDLER:EXIT:FUSING EXIT:3 | U011_S001 | 29 |
| AB012110 | GEAR:EXIT ROLLER:FUSING EXIT: RIGHT | U011_S001 | 30 |
| AB012111 | GEAR:PRESSURE ROLLER:EXIT | U011_S001 | 31 |
| AB012116 | GEAR:DRIVE:FUSING UNIT | U011_S001 | 32 |
| AB012119 | GEAR:PRESSURE ROLLER | U011_S001 | 33 |
| AB012120 | GEAR:IDLER:PRESSURE ROLLER | U011_S001 | 34 |
| AE020282 | PRESSURE ROLLER:DIA32 | U011_S001 | 35 |
| AE030074 | BALL BEARING:DIA17XDIA26X5 | U011_S001 | 36 |
| AF030049 | PICK-UP ROLLER | U013_S001_S001 | 35 |
| AF030094 | PAPER FEED ROLLER:PICKUP | U005_S001 | 21 |
| | | U005_S002 | 21 |
| AF031046 | FEED ROLLER - MANUAL FEED | U013_S001_S001 | 36 |
| AF031085 | PAPER FEED ROLLER - FEED | U005_S001 | 22 |
| | | U005_S002 | 22 |
| AF032046 | SEPARATION ROLLER - MANUAL FEED | U013_S001_S001 | 37 |
| AF032101 | PAPER FEED ROLLER:SEPARATE | U005_S001 | 23 |
| | | U005_S002 | 23 |
| AF040571 | GUIDE ROLLER | U012_S001 | 18 |
| AG070513 | MAGNET CATCH | U001 | 10 |
| AG070514 | MAGNET CATCH | U010 | 10 |
| AW010147 | PHOTO REFLECTION SENSOR:(S1 /S27) | U009_S001 | 15 |
| | | U012_S001 | 19 |
| AW010155 | ORIGINAL SENSOR:66MM:3.3V:(S4 4/S45) | U003 | 23 |

| Number | Part Name | Group | ID |
|----------|--|----------------|-----|
| AW020190 | PHOTOINTERRUPTOR:(S26) | U011 | 37 |
| AW020198 | PHOTOINTERRUPTOR:LG2A14NL 1:(S5) | U013_S001 | 198 |
| AW020234 | PHOTOINTERRUPTOR:GP1A173L CS5F:(S2/S6/S7/S11/S13/S15/S23/ S25/S32) | U005_S001 | 135 |
| | | U005_S002 | 135 |
| | | U008 | 49 |
| | | U009 | 57 |
| | | U012_S001 | 72 |
| | | U013_S001_S001 | 196 |
| | | U013_S001_S002 | 196 |
| AW020249 | PHOTOINTERRUPTOR:FLAT:PICH 2MM:M4:(S43) | U003 | 24 |
| AW100180 | NON-CONTACT TYPE THERMISTO R:FUSING:(S46/S47) | U011_S001 | 38 |
| AW100181 | THERMISTOR:PRESSURE:FRONT: (TH4/TH5) | U011_S001 | 39 |
| AW100182 | THERMISTOR:PRESSURE:MIDDLE :(TH3) | U011_S001 | 40 |
| AW100183 | THERMOPILE:(TH1/TH2) | U011 | 41 |
| AW110111 | THERMOSTAT:MIDDLE | U011_S001 | 42 |
| AW110112 | THERMOSTAT:REAR | U011_S001 | 43 |
| AW140026 | TEMPERATURE & HUMIDITY SEN SOR:(S41) | U008 | 13 |
| AW500044 | PUSH SWITCH:PAPER SIZE SENS OR:(SW1) | U005 | 24 |
| AW500049 | PUSH SWITCH:SW1AG-550:(S4/S1 7/S19/S21) | U005 | 25 |
| | | U013 | 38 |
| | | U013_S001 | 38 |
| AX040273 | DC MOTOR:RISING TRAY:ASS'Y:1. 007W:BRUSH:(M9/M10) | U005 | 26 |
| AX050349 | DC MOTOR:ENCODER:NO:7W:GE AR:BRUSHLESS:(M4) | U014_S002 | 20 |
| AX060435 | DC MOTOR:GEAR:10W:BRUSHLES S:(M7) | U014_S003 | 21 |
| AX060464 | DC MOTOR:ENCODER:NO:10W:GE AR:BRUSHLESS:(M1/M2/M5/M6) | U013 | 39 |
| | | U013_S001 | 39 |
| | | U014_S001 | 22 |
| AX060518 | DC POLYGON MIRROR MOTOR:(M | U004_S001 | 3 |

Exclusive Parts

| Number | Part Name | Group | ID |
|----------|--|--|----------------------|
| | 27) | | |
| AX061001 | DC BRUSHLESS MOTOR:40W:NM B:(M15/M16) | U014 | 23 |
| AX061101 | DC BRUSHLESS MOTOR:25W:NM B:(M17) | U014 | 24 |
| AX061202 | DC BRUSHLESS MOTOR:25W:NID: FUSING UNIT:(M8) | U014_S002 | 25 |
| AX640199 | FAN:MM80:25MM:DC 2.16W:(FAN5) | U016 | 13 |
| AX640219 | DC FAN MOTOR:DC24V:MM60:25M M:(FAN2/FAN6) | U016 | 14 |
| AX640236 | FAN:MM60X15:(FAN4/FAN7) | U015 U016 | 36 15 |
| AX650064 | DC FAN MOTOR:SIROCCO:DC24V: PWM:(FAN3) | U016 | 16 |
| AZ240402 | (EU/AA/KOR/CHN):DC POWER SUPPLY:(PCB8) | U015 | 114 |
| AZ320233 | POWER PACK:CB:H:(PCB19) | U015 | 38 |
| AZ320239 | POWER PACK:TTS:L:(PCB16) | U015 | 39 |
| B0651374 | CLOTH - DF EXPOSURE GLASS | U017 | 3 |
| B2231099 | FLAT SCREW | U013_S001_S002 | 40 |
| B2231163 | JOINT:ON-OFF:INTERMEDIATE TRANSFER | U014_S004 | 60 |
| B2231317 | SCREW | U015_S001 | 40 |
| B2233241 | SPRING:SHUTTER:PUMP UNIT | U007 | 13 |
| B2234552 | BUSHING:DIA4 | U013_S001 | 41 |
| B2236069 | JOINT:DRIVE:INTERMEDIATE TRANSFER | U008_S001_S001 | 14 |
| B2236476 | BUSHING - DIA5 | U010 | 11 |
| B2342864 | PAD:CLEANER | U005_S004_S001 U005_S004_S002 U005_S005_S001 U005_S005_S002 | 27 27 27 27 |
| B2381088 | COVER - CONNECTOR | U016 | 17 |
| B2381089 | COVER - POSITIONING PIN | U016 | 18 |
| B6455030 | SD-CARD:SERVICE PARTS:2GB:ASS'Y | SPECIAL TOOLS | 4 |
| B6455040 | SD-CARD:SERVICE PARTS:8GB:ASS'Y | SPECIAL TOOLS | 5 |

| Number | Part Name | Group | ID |
|----------|--|----------------------------------|----------------|
| B6455060 | SD-CARD:SERVICE PARTS:16GB:ASS'Y | SPECIAL TOOLS | 6 |
| B8303504 | TIMING BELT - 40S2M100 | U005_S001 U005_S002 | 28 28 |
| C4019503 | 20X MAGNIFICATION SCOPE | SPECIAL TOOLS | 7 |
| D0092573 | PULLEY - VERTICAL TRANSPORT | U013_S001_S003 U013_S001_S004 | 42 42 |
| D0092574 | PULLEY - IDLER | U013_S001_S003 U013_S001_S004 | 43 43 |
| D0094407 | FEELER - OVERFLOW | U012_S001 | 20 |
| D0094455 | CUSHION - DC SOLENOID | U012 U012_S001 U013_S001 | 21 21 44 |
| D0094485 | BUSHING - GATE | U013_S001 | 45 |
| D0094487 | COMPRESSION SPRING - GATE | U013_S001 | 46 |
| D0292677 | TRANSPORT BELT:DRIVEN:VERTICAL TRANSPORT | U013_S001_S003 U013_S001_S004 | 47 47 |
| D0392993 | SHAFT:TRANSPORT BELT:PULLEY | U013_S001_S003 U013_S001_S004 | 48 48 |
| D0394525 | COMPRESSION SPRING:SHAFT:GUIDE PLATE:EXIT | U013_S001 | 49 |
| D0394529 | STOPPER:GUIDE PLATE:ROLLER:DRIVEN | U013_S001 | 50 |
| D0394597 | TENSION SPRING:DRIVEN ROLLER | U013_S001 | 51 |
| D0394925 | ROLLER:REVERSE:DRIVEN | U012_S001 | 22 |
| D0394927 | COMPRESSION SPRING:PRESSURE:REVERSE:DRIVEN | U012_S001 | 23 |
| D0894465 | SYNCHRONOUS BELT:S2M:136 | U014_S002 | 58 |
| D0895824 | COVER:SD-CARD:D086/D087 | U015 | 41 |
| D0895887 | PANEL:INTERFACE | U015 | 42 |
| D0AF1290 | COVER:SCANNER:UPPER:REAR | U001_S001 | 11 |
| D0BL5433 | (CHN):PCB:ASS'Y:(PCB13) | U002_S001_S002 | 56 |
| D0BL5828 | (IM C3000/C3000A/C3000G/GS3030c):PCB:CTL:SERVICE:(PCB11) | U015 | 113 |
| D0BL5829 | (IM C3500/C3500A/C3500G):PCB:CTL:SERVICE:(PCB11) | U015 | 112 |
| D0BL9591 | NVRAM: ZERO COUNTER | U015 | 45 |

Exclusive Parts

| Number | Part Name | Group | ID |
|----------|---|----------------|----|
| D0BM1255 | COVER:LEFT:INTERFACE | U015 | 46 |
| D0BM1276 | INNER COVER:TONER BOTTLE | U001 | 70 |
| D0BM1855 | OPTICAL WRITING UNIT:IMC2500/IMC3000/IMC3500 | U004_S001 | 4 |
| D0BM2215 | (EU/CHN/TWN/AA/KOR):PCU:K:IMC3000-6000 | U006_S004_S002 | 13 |
| D0BM2216 | PCU:CMY:IMC3000-3500 | U006_S001_S002 | 14 |
| | | U006_S002_S002 | 14 |
| | | U006_S003_S002 | 14 |
| D0BM2221 | PCDU:C:IMC3000-3500 | U006_S001 | 10 |
| D0BM2222 | PCDU:M:IMC3000-3500 | U006_S002 | 11 |
| D0BM2223 | PCDU:Y:IMC3000-3500 | U006_S003 | 12 |
| D0BM2496 | DRUM STAY:REAR | U006_S001_S002 | 37 |
| | | U006_S002_S002 | 37 |
| | | U006_S003_S002 | 37 |
| D0BM3001 | DEVELOPMENT UNIT:C:IMC3000-3500 | U006_S001_S003 | 15 |
| D0BM3002 | DEVELOPMENT UNIT:M:IMC3000-3500 | U006_S002_S003 | 16 |
| D0BM3003 | DEVELOPMENT UNIT:Y:IMC3000-3500 | U006_S003_S003 | 17 |
| D0BM3215 | SHEET:IOB:LEFT | U014 | 26 |
| D0BM3492 | COVER:PCU:REAR:ASS'Y | U006_S001 | 24 |
| | | U006_S002 | 24 |
| | | U006_S003 | 24 |
| D0BM4022 | (EU/AA/KOR/CHN):FUSING UNIT:220-240V:IMC3000-3500 | U011_S001 | 44 |
| D0BM4052 | (EU/AA/KOR/CHN):SLEEVE:FUSING:220-240V:IMC3000-3500 | U011_S001_S002 | 45 |
| D0BM4388 | COVER:AC CODE | U011 | 46 |
| D0BM5115 | (CHN):BICU:RAI:ASS'Y:(PCB10) | U015 | 47 |
| D0BN1526 | (CHN):OPERATION SUB-UNIT:COMMON:ASS'Y | U002_S001 | 54 |
| D0BN2240 | (EU/CHN/TWN/AA/KOR):PCDU:K:IMC3000-6000 | U006_S004 | 18 |
| D0BQ1230 | COVER:UPPER | U001 | 12 |
| D0BQ1231 | COVER:UPPER:FRONT | U001 | 13 |
| D0BQ1232 | COVER:UPPER:EXIT:IDG | U001 | 14 |

| Number | Part Name | Group | ID |
|----------|---|----------------|----|
| D0BQ1242 | COVER:FRONT:PEEN | U001 | 15 |
| D0BQ1244 | COVER:FRONT:RIGHT UPPER | U001 | 16 |
| D0BQ1245 | COVER:FRONT:UPPER | U001 | 17 |
| D0BQ1247 | COVER:FRONT:USED TONER | U001 | 18 |
| D0BQ1249 | COVER:FRONT:LENGTHWISE | U001 | 19 |
| D0BQ1281 | COVER:SCANNER:FRONT | U001 | 20 |
| D0BQ1287 | COVER:SCANNER:RIGHT | U001 | 21 |
| D0BQ1288 | COVER:SCANNER:UPPER:RIGHT | U001 | 22 |
| D0BQ1297 | SEAL:SCANNER:UPPER:REAR | U001_S001 | 69 |
| D0BQ1309 | MAGNET CATCH:COVER:FRONT | U001 | 23 |
| D0BQ1357 | DRIVE UNIT:FUSING/PAPER EXIT UNIT:ASS'Y | U014_S002 | 27 |
| D0BQ1375 | GEAR:PRESSURE RELEASE:NO.1:MECHANICAL ROLLER CLUTCH:U | U014_S002 | 59 |
| D0BQ1399 | DRIVE UNIT:PAPER FEED:ASS'Y | U014_S001 | 28 |
| D0BQ1420 | PCB:W-LAN:TYPE1NX | U002_S001_S002 | 48 |
| D0BQ1432 | SPEAKER | U002_S001 | 13 |
| D0BQ1521 | HINGE:RIGHT | U002 | 15 |
| D0BQ1522 | HINGE:LEFT | U002 | 16 |
| D0BQ1527 | TOUCH PANEL:ASS'Y | U002_S001_S001 | 55 |
| D0BQ1531 | FRAME:LCD:PEEN | U002_S001 | 17 |
| D0BQ1533 | BRACKET:LCD | U002_S001 | 18 |
| D0BQ1541 | COVER:FRONT | U002_S001_S001 | 19 |
| D0BQ1544 | COVER:REAR | U002_S001 | 20 |
| D0BQ1546 | INNER COVER:OPERATION SUB-UNIT:RIGHT | U002_S001 | 21 |
| D0BQ1547 | KEYTOP:RESET SWITCH | U002_S001 | 22 |
| D0BQ1548 | COVER:CAP:PUSH SWITCH | U002_S001 | 23 |
| D0BQ1549 | COVER:CAP | U002_S001 | 24 |
| D0BQ1551 | HOLDER:OPERATION SUB-UNIT:SPEAKER | U002_S001 | 25 |
| D0BQ1552 | CUSHION:OPERATION SUB-UNIT:SPEAKER | U002_S001 | 26 |
| D0BQ1553 | GUIDE:OPERATION SUB-UNIT:HAFTNESS | U002 | 27 |
| D0BQ1555 | CUSHION:LCD:L | U002_S001 | 28 |
| D0BQ1556 | CUSHION:LCD:S | U002_S001 | 29 |
| D0BQ1561 | COVER:HINGE:RIGHT | U002 | 30 |

Exclusive Parts

| Number | Part Name | Group | ID |
|----------|--|----------------|-----|
| D0BQ1563 | COVER:HINGE:LEFT | U002 | 31 |
| D0BQ1564 | COVER:REAR:MIDDLE | U002 | 32 |
| D0BQ1565 | COVER:RIGHT | U002 | 33 |
| D0BQ1566 | CAP:HINGE | U002 | 41 |
| D0BQ1581 | DUAL FACES TAPE:TOUCH PANEL :LENGTHWISE | U002_S001_S001 | 34 |
| D0BQ1582 | DUAL FACES TAPE:TOUCH PANEL :SIDE | U002_S001_S001 | 35 |
| D0BQ1585 | SHEET:LIGHT SHIELD COAT | U002_S001 | 36 |
| D0BQ1586 | SHEET:SIDE | U002_S001 | 37 |
| D0BQ1595 | BRACKET:OPERATION SUB-UNIT: PEEN | U002 | 38 |
| D0BQ1598 | COVER:BRACKET:OPERATION SU B-UNIT:LOWER | U002 | 39 |
| D0BQ1599 | COVER:BRACKET:OPERATION SU B-UNIT:UPPER | U002 | 46 |
| D0BQ1640 | OPTICAL READING UNIT:CARRIAG E:SCANNER:IMC2000-6000 | U003_S001 | 25 |
| D0BQ1678 | SHEET:FFC:LOWER | U003 | 35 |
| D0BQ1713 | SYNCHRONOUS BELT:890ST55-4. 0 | U003 | 26 |
| D0BQ1780 | ILLUMINATION UNIT:ASS'Y | U003_S001 | 27 |
| D0BQ2071 | CHARGE UNIT:ASS'Y | U006_S001_S002 | 25 |
| | | U006_S002_S002 | 25 |
| | | U006_S003_S002 | 25 |
| | | U006_S004_S002 | 25 |
| D0BQ2379 | DUCT:GEAR:DEVELOPMENT:SUB- ASS'Y | U006_S004 | 30 |
| D0BQ2389 | COVER:PCU:FRONT:SUB-ASS'Y | U006_S001_S001 | 31 |
| | | U006_S002_S001 | 31 |
| | | U006_S003_S001 | 31 |
| | | U006_S004_S001 | 31 |
| D0BQ2566 | CASE:REMOVE PAPER DUST:ASS' Y | U005 | 29 |
| D0BQ2600 | MANUAL FEED UNIT:ASS'Y | U013_S001_S001 | 197 |
| D0BQ2608 | SHAFT:SEPARATOR:DRIVEN:ASS' Y | U013_S001_S001 | 53 |
| D0BQ2615 | GUIDE PLATE:SEPARATOR:ASS'Y | U013_S001_S001 | 54 |

| Number | Part Name | Group | ID |
|----------|--|----------------|-----|
| D0BQ2619 | SHAFT:SEPARATOR:DRIVE:ASS'Y | U013_S001_S001 | 55 |
| D0BQ2623 | ARM:PICKUP:MANUAL FEED | U013_S001_S001 | 56 |
| D0BQ2630 | SIDE FENCE:FRONT:ASS'Y | U013_S001_S002 | 57 |
| | | S001 | |
| D0BQ2632 | SIDE FENCE:REAR:ASS'Y | U013_S001_S002 | 58 |
| | | S002 | |
| D0BQ2637 | PAPER STOPPER:MANUAL FEED | U013_S001_S001 | 59 |
| D0BQ2638 | LINK:PAPER STOPPER:MANUAL F EED | U013_S001_S001 | 60 |
| D0BQ2644 | BRACKET:SIDE FENCE:MANUAL F EED | U013_S001_S002 | 61 |
| D0BQ2653 | COIL SPRING:PRESSURE:SEPARA TOR | U013_S001_S001 | 62 |
| D0BQ2654 | CUSHION:GUIDE PLATE:SEPARAT OR | U013_S001_S001 | 63 |
| D0BQ2655 | GEAR:SEPARATE:DRIVE | U013_S001_S001 | 32 |
| D0BQ2656 | HOLDER:HARNESS | U013_S001 | 64 |
| D0BQ2688 | TENSION SPRING:WIRE | U013_S001_S002 | 86 |
| D0BQ2711 | PAPER FEED UNIT:NO.1:ASS'Y | U005_S001 | 30 |
| D0BQ2712 | PAPER FEED UNIT:NO.2:ASS'Y | U005_S002 | 31 |
| D0BQ2773 | PULLEY:PICKUP:MECHANICAL RO LLER CLUTCH:U | U005_S001 | 62 |
| | | U005_S002 | 62 |
| D0BQ2777 | SHAFT:FEED:ASS'Y | U005_S001 | 32 |
| | | U005_S002 | 32 |
| D0BQ2786 | PLAIN SHAFT BEARING:FEED | U005_S001 | 33 |
| | | U005_S002 | 33 |
| D0BQ2800 | PAPER TRAY:NO.1:ASS'Y | U005_S004 | 34 |
| D0BQ2805 | PAPER TRAY:NO.2:ASS'Y | U005_S005 | 35 |
| D0BQ2828 | SIDE FENCE:FRONT:NO.1:ASS'Y | U005_S004_S001 | 36 |
| D0BQ2838 | SIDE FENCE:REAR:NO.1:ASS'Y | U005_S004_S002 | 37 |
| D0BQ2840 | END FENCE:PAPER TRAY:ASS'Y | U005_S004_S003 | 38 |
| | | U005_S005_S003 | 38 |
| D0BQ2846 | DECAL:SIZE INDICATION:END FEN CE:NO.1:FRONT | U005_S004 | 39 |
| D0BQ2850 | TRAY BOTTOM PLATE:ASS'Y | U005_S004 | 133 |
| D0BQ2863 | DECAL:PAPER SET DIRECTION:T RAY:NO.1 | U005_S004 | 40 |
| D0BQ2864 | DECAL:PAPER SET DIRECTION:T | U005_S005 | 41 |

Exclusive Parts

| Number | Part Name | Group | ID |
|----------|---|----------------|-----|
| | RAY:NO.2 | | |
| D0BQ2873 | TRAY BOTTOM PLATE:NO.2:ASS'Y | U005_S005 | 134 |
| D0BQ2875 | SIDE FENCE:FRONT:ASS'Y | U005_S005_S001 | 42 |
| D0BQ2881 | SIDE FENCE:REAR:SUB-ASS'Y | U005_S005_S002 | 43 |
| D0BQ2896 | DECAL:SIZE INDICATION:SIDE FENCE:NO.1 | U005_S004 | 44 |
| D0BQ2966 | STAY:END FENCE:ASS'Y | U005_S005_S001 | 136 |
| D0BQ2967 | KNOB SCREW:STAY:END FENCE | U005_S005_S001 | 45 |
| D0BQ3000 | (EU/CHN/TWN/AA/KOR):DEVELOPMENT UNIT:K:IMC3000-6000 | U006_S004_S003 | 19 |
| D0BQ3213 | SHEET:IOB:UPPER | U014 | 29 |
| D0BQ3219 | DRIVE UNIT:TONER BOTTLE:ASS'Y | U007_S010 | 15 |
| | | U007_S011 | 15 |
| | | U007_S012 | 15 |
| | | U007_S013 | 15 |
| D0BQ3242 | TONER HOPPER:TONER SUPPLY:BK:ASS'Y | U007_S006 | 16 |
| D0BQ3272 | TONER HOPPER:TONER SUPPLY:C:ASS'Y | U007_S007 | 17 |
| D0BQ3282 | TONER HOPPER:TONER SUPPLY:M:ASS'Y | U007_S008 | 18 |
| D0BQ3283 | TRANSPORT SCREW:NOZZLE:BK:ASS'Y | U007_S001 | 37 |
| D0BQ3284 | TRANSPORT SCREW:NOZZLE:CMY:ASS'Y | U007_S002 | 38 |
| | | U007_S003 | 38 |
| | | U007_S004 | 38 |
| D0BQ3312 | TONER HOPPER:TONER SUPPLY:Y:ASS'Y | U007_S009 | 21 |
| D0BQ4102 | DRIVEN ROLLER:FUSING EXIT:ASS'Y | U011_S001 | 47 |
| D0BQ4208 | CAM:ON-OFF:PRESSURE ROLLER | U011_S001 | 48 |
| D0BQ4317 | GUIDE:HARNESS:DRAWER:PRESS FIT | U011_S001 | 49 |
| D0BQ4425 | DC STEPPER MOTOR:REVERSE:SUB-ASS'Y:(M3) | U012_S001 | 25 |
| D0BQ4557 | DUPLEX UNIT:IMC3000-6000 | U013_S001 | 65 |

| Number | Part Name | Group | ID |
|----------|--|----------------|-----|
| D0BQ4563 | MANUAL FEED TABLE:IMC2000-6000 | U013_S001_S002 | 66 |
| D0BQ4570 | PAPER SIZE SENSOR:SENSOR:IMC2000-6000:(S8) | U013_S001_S002 | 67 |
| D0BQ4631 | SIDE PLATE:REAR:DUPLEX:PEEN | U013_S001 | 200 |
| D0BQ4644 | GEAR:MECHANICAL ROLLER CLUTCH | U013_S001 | 68 |
| D0BQ4645 | SYNCHRONOUS BELT:30S2M118 | U013_S001 | 92 |
| D0BQ4646 | SYNCHRONOUS BELT:30S2M262 | U013_S001 | 93 |
| D0BQ4648 | SYNCHRONOUS BELT:30S2M300 | U013_S001 | 21 |
| D0BQ4654 | SHAFT:LEVER:LOCK | U013_S001 | 69 |
| D0BQ4680 | BRACKET:DRIVEN ROLLER:PRESURE | U013_S001 | 134 |
| D0BQ4757 | SPACER:DC MOTOR:DUPLEX:2 | U013 | 182 |
| D0BQ4960 | BASE:PLATE:EXIT:IDG | U012 | 26 |
| D0BQ5100 | PCB:DIODE | U009_S001 | 16 |
| D0BQ5127 | (CHN):PCB:IOB:TRANSPORT:(PCB1) | U015 | 48 |
| D0BQ5129 | (CHN):PCB:IOB:ENGINE:(PCB2) | U015 | 49 |
| D0BQ5172 | PCB:TCB:(PCB3/PCB4/PCB5/PCB6) | U007 | 36 |
| D0BQ5186 | (EU/AA/KOR/CHN):AC CONTROL BOARD:(PCB9) | U015 | 50 |
| D0BQ5190 | PCB:MSSENS1:(S49) | U015 | 51 |
| D0BQ5192 | PCB:MSSENS2:(PCB18) | U015 | 52 |
| D0BQ5611 | PCB:DDR3L-DIMM:2GB | U015 | 53 |
| D0BQ5791 | RACK:BASE | U015 | 54 |
| D0BQ5796 | RACK:MIDDLE | U015 | 55 |
| D0BQ5802 | GUIDE:HARNESS:RACK | U015 | 56 |
| D0BQ6004 | TRANSFER UNIT:INTERMEDIATE TRANSFER:ASS'Y | U008_S001_S001 | 15 |
| D0BQ6009 | (EU/CHN/TWN/AA/KOR):TRANSFER UNIT:INTERMEDIATE TRANSFER:IMC2000-6000 | U008_S001 | 56 |
| D0BQ6019 | COVER:INTERMEDIATE TRANSFER:FRONT:ASS'Y | U008_S001_S002 | 53 |
| D0BQ6038 | LEVER:ON-OFF:BK | U008_S001 | 54 |
| D0BQ6050 | TRANSFER ROLLER:BK:ASS'Y | U008_S001_S001 | 58 |
| D0BQ6060 | TRANSFER ROLLER:FC:ASS'Y | U008_S001_S001 | 59 |

Exclusive Parts

| Number | Part Name | Group | ID |
|-----------------|---|------------------|------------|
| D0BQ6125 | ROLLER:FLAT BELT-TRANSFER:FACE FRONT:ASS'Y | U008_S001_S001 | 28 |
| D0BQ6130 | TONER OUTLET UNIT:BELT CLEANING:SERVICE PARTS | U008_S001_S004 | 50 |
| D0BQ6141 | CLEANING UNIT:BELT CLEANING:ASS'Y | U008_S001_S003 | 17 |
| D0BQ6170 | SPACER:DENSITY SENSOR:0.05MM | U008 | 18 |
| D0BQ6212 | TRANSFER ROLLER:SECOND:ASS'Y | U009_S002 | 17 |
| D0BQ6215 | GUIDE PLATE:TRANSFER:SECOND:ASS'Y | U009_S001 | 18 |
| D0BQ6303 | RAIL:INTERMEDIATE TRANSFER:LEFT | U008 | 19 |
| D0BQ6305 | RAIL:INTERMEDIATE TRANSFER:RIGHT | U008 | 20 |
| D0BQ6311 | GEAR:ON-OFF:COLLAR:OUTPUT:HS | U008 | 21 |
| D0BQ6322 | BRACKET:TM SENSOR:FRONT:PEEN | U008 | 22 |
| D0BQ6324 | BRACKET:REAR:TM SENSOR | U008 | 23 |
| D0BQ6338 | BRACKET:TM SENSOR | U008 | 24 |
| D0BQ6360 | LEVER:ON-OFF:BK:MIDDLE | U008_S001_S001 | 60 |
| D0BQ6400 | COLLECTION BOTTLE:ASS'Y | U010_S001 | 12 |
| D0BQ6511 | PIPE:ASS'Y | U010_S002 | 13 |
| D0BQ6881 | (CHN[GS3030c]/AA/KOR):PLATE:LOGOTYPE:GESTETNER | U017 | 4 |
| D0BQ6888 | (GS3030c):PLATE:MODEL NAME PLATE:GS3030C | U017 | 5 |
| D0BQ6896 | (IM C3500/C3500A/C3500G):PLATE:MODEL NAME PLATE:C3500 | U017 | 6 |
| D0BQ6897 | (IM C3000/C3000A/C3000G):PLATE:MODEL NAME PLATE:C3000 | U017 | 7 |
| D0BQ7935 | CAP:FILTER:ASS'Y | U016_S001 | 19 |
| D0BQ7937 | FILTER:PREVENTFENCE:13.5 | U016_S001 | 21 |
| D0BQR041 | SAFETY SWITCH:ASS'Y | U015_S001 | 115 |
| D0DZ4921 | COVER:GUIDE PLATE:DRIVEN | U013_S001 | 188 |
| D0E11107 | DC SOLENOID:ASS'Y:(SOL4) | U014 | 51 |

| Number | Part Name | Group | ID |
|----------|---|----------------|-----|
| D0E31152 | BRACKET:DRIVE UNIT:PAPER FEED:ASS'Y | U014_S001 | 46 |
| D0E31187 | HOUSING:DRIVE UNIT:PAPER FEED:ASS'Y | U014_S001 | 50 |
| D0E31194 | PULLEY:FEED:NO.1:MECHANICAL ROLLER CLUTCH | U014_S001 | 63 |
| D0E31196 | GEAR:FEED:NO.2:MECHANICAL ROLLER CLUTCH | U014_S001 | 64 |
| D0E31721 | BRACKET:DC STEPPER MOTOR | U003 | 68 |
| D0E32582 | GUIDE PLATE:REGISTRATION:FRONT RIGHT | U009 | 19 |
| D0E32714 | GUIDE PLATE:SWIVEL:NO.1 | U005_S003 | 145 |
| D0E32721 | GUIDE PLATE:SWIVEL:NO.2 | U005 | 59 |
| D0E32822 | SIDE FENCE:FRONT:NO.1 | U005_S004_S001 | 140 |
| D0E32832 | SIDE FENCE:REAR:NO.1 | U005_S004_S002 | 141 |
| D0E32835 | RACK:SIDE FENCE | U005_S004 | 78 |
| | | U005_S005 | 78 |
| D0E32878 | SIDE FENCE:FRONT:UNIVERSAL:NO.2 | U005_S005_S001 | 142 |
| D0E32879 | SIDE FENCE:REAR:UNIVERSAL:NO.2 | U005_S005_S002 | 143 |
| D0E32945 | OIL DAMPER:30MN | U005_S008 | 144 |
| | | U005_S009 | 144 |
| D0E32990 | PLAIN SHAFT BEARING:DRIVE:REGISTRATION ROLLER | U009 | 23 |
| D0E34404 | PAPER EXIT UNIT:ASS'Y | U012_S001 | 24 |
| D0E34426 | BRACKET:DC STEPPER MOTOR:REVERSE | U012_S001 | 73 |
| D0E34673 | GUIDE PLATE:DRIVEN | U013_S001 | 166 |
| D0E34715 | DECAL:GRIP:Z | U013_S001 | 106 |
| D0E34737 | PLAIN SHAFT BEARING:DUPLEX:EXIT | U013_S001 | 118 |
| D0E34937 | INNER COVER:EXIT | U012 | 50 |
| D0E34994 | GUIDE PLATE:EXIT:LOWER | U012_S001 | 65 |
| D0E35765 | CASE:POWER PACK:CB | U015 | 78 |
| D0E36097 | FLAT BELT-TRANSFER:INTERMEDIATE TRANSFER:SR | U008_S001_S001 | 41 |
| D0E36180 | TONER OUTLET UNIT:BELT CLEANING | U008_S001_S004 | 63 |

Exclusive Parts

| Number | Part Name | Group | ID |
|-----------------|--|----------------|-----------|
| | NING:ASS'Y | _S001 | |
| D0F21199 | DRIVE UNIT:ON-OFF:TRANSFER:(M18) | U014 | 35 |
| D1124264 | DECAL:WARNING (HIGH TEMPERATURE):FUSING | U011_S001_S001 | 50 |
| D1175303 | THERMISTOR:(S33) | U016 | 20 |
| D1175916 | STEPPED SCREW:M3X8:SECOND KIND | U008_S001 | 25 |
| D1292783 | TORQUE LIMITER MECHANICAL CLUTCH:40MMN:DIA18 | U005_S001 | 46 |
| | | U005_S002 | 46 |
| | | U013_S001_S001 | 70 |
| D1421805 | SHAFT:SCALE | U015_S001 | 57 |
| D1441085 | STEPPED SCREW:M3 | U001 | 24 |
| | | U008_S001_S001 | 26 |
| D1444183 | SCREW:M3 | U003 | 28 |
| D1444484 | SHOULDER SCREW - M3 | U012_S001 | 27 |
| D1444489 | STOPPER:DRIVEN ROLLER | U013_S001_S003 | 71 |
| | | U013_S001_S004 | 71 |
| D1465786 | BRACKET:HDD | U015 | 58 |
| D1471177 | TENSION SPRING:ARM:MCPG | U014 | 30 |
| D1471805 | EXPOSURE GLASS:DOCUMENT FEEDER:APPLY | U003 | 29 |
| D1472734 | GUIDE PLATE:SEPARATE | U005_S001_S001 | 47 |
| | | U005_S002_S001 | 47 |
| D1472737 | LEVER:PRESSURE:SEPARATE | U005_S001_S001 | 48 |
| | | U005_S002_S001 | 48 |
| D1472738 | LINK:RELEASE | U005_S001_S001 | 49 |
| | | U005_S002_S001 | 49 |
| D1472752 | SHAFT:SEPARATE:ASS'Y | U005_S001_S001 | 50 |
| | | U005_S002_S001 | 50 |
| D1472866 | COVER:PAPER TRAY:NO.2 | U005_S005 | 51 |
| D1473281 | HOUSING:TONER CARTRIDGE:BK:ASS'Y | U007_S014 | 22 |
| D1473282 | HOUSING:TONER CARTRIDGE:CMY:ASS'Y | U007_S015 | 23 |
| | | U007_S016 | 23 |
| | | U007_S017 | 23 |
| D1473325 | TORSION SPRING:STOPPER:TONER CARTRIDGE:4.8N | U007_S014 | 24 |
| | | U007_S015 | 24 |

| Number | Part Name | Group | ID |
|-----------------|---------------------------------------|----------------|-----------|
| | | U007_S016 | 24 |
| | | U007_S017 | 24 |
| D1473468 | JOINT:DEVELOPMENT | U006_S001_S003 | 34 |
| | | U006_S002_S003 | 34 |
| | | U006_S003_S003 | 34 |
| D1473469 | JOINT:IDLER:DEVELOPMENT | U006_S001_S003 | 35 |
| | | U006_S002_S003 | 35 |
| | | U006_S003_S003 | 35 |
| D1473470 | GUIDE:TONER SUPPLY | U006_S001_S003 | 38 |
| | | U006_S002_S003 | 38 |
| | | U006_S003_S003 | 38 |
| D1477951 | DUCT:SUPPLY:A | U016 | 22 |
| D1477952 | DUCT:SUPPLY:B | U016 | 23 |
| D1477956 | DUCT:EXHAUST:DRIVE:A | U016 | 24 |
| D1477957 | DUCT:EXHAUST:DRIVE:B | U016 | 25 |
| D1482702 | SPACER:TRANSPORT ROLLER | U005_S001 | 52 |
| | | U005_S002 | 52 |
| D1482751 | ARM:PRESSURE:SEPARATE | U005_S001_S001 | 53 |
| | | U005_S002_S001 | 53 |
| D1482755 | COIL SPRING:RELEASE:SEPARATE | U005_S001_S001 | 54 |
| | | U005_S002_S001 | 54 |
| D1484690 | TORSION SPRING:LINK | U013_S001 | 72 |
| D1491077 | PLATE:OPTICAL WRITING MD | U016 | 59 |
| D1491099 | COVER:GRIP:LEFT | U016 | 26 |
| D1491168 | BRACKET:DRIVE:COLLECTION BOTTLE:ASS'Y | U010 | 14 |
| D1491173 | GEAR:IDLER:TONER BOTTLE | U010 | 15 |
| D1491174 | GEAR:COLLECTION BOTTLE | U010 | 16 |
| D1491195 | GEAR:IDLER:PAPER FEED:FEED | U014_S001 | 32 |
| D1491197 | GEAR:IDLER:PAPER FEED:GRIP:NO.1 | U014_S001 | 34 |
| D1491233 | COVER:UPPER:INNER BACK | U001 | 25 |
| D1491234 | COVER:UPPER:INNER BACK:MIDDLE | U001 | 26 |
| D1491237 | COVER:UPPER:INNER BACK:LEFT LOWER | U001 | 27 |
| D1491248 | HINGE:COVER:FRONT:USED TONER | U001 | 28 |

Exclusive Parts

| Number | Part Name | Group | ID |
|----------|--|-----------|----|
| D1491252 | COVER:LEFT:UPPER:REAR | U001 | 29 |
| D1491257 | CAP:34X55 | U001 | 30 |
| D1491264 | CAP:ROCKER SWITCH | U017 | 8 |
| D1491274 | INNER COVER:FRONT:USED TONER | U001 | 31 |
| D1491278 | TORSION SPRING:COVER:USED TONER | U001 | 32 |
| D1491291 | CAP:HARNESS | U001 | 33 |
| D1491294 | (EU[IM C3000/C3500]/AA/KOR/TWN/CHN):CAP:HARNESS:CORNER | U001 | 34 |
| D1491299 | GUIDE PLATE:SCANNER | U017 | 9 |
| D1491305 | CAP:TOTAL COUNTER | U001 | 35 |
| D1491307 | SPRING PLATE:BAND | U001 | 36 |
| D1491338 | GUIDE PLATE:PAPER FEED TABLE:FRONT | U016 | 27 |
| D1491351 | DRIVE UNIT:REGISTRATION:ASS'Y | U014_S003 | 36 |
| D1491352 | BRACKET:DRIVE UNIT:REGISTRATION:ASS'Y | U014_S003 | 37 |
| D1491355 | GEAR:REGISTRATION:NO.1 | U014_S003 | 38 |
| D1491387 | GROUND PLATE:DRIVE UNIT:ENGINE | U014 | 39 |
| D1491392 | FLANGE:PAPER FEED:FEED | U014_S001 | 40 |
| D1491394 | GROUND PLATE:DRIVE UNIT:FUSING/PAPER EXIT UNIT | U014 | 41 |
| D1491397 | TORQUE LIMITER MECHANICAL CLUTCH:49MNM:DIA14 | U014_S002 | 42 |
| D1491706 | SYNCHRONOUS BELT:138ST1.5-4.0 | U003 | 30 |
| D1491798 | SEAL:SHEET THROUGH:DOCUMENT FEEDER | U003 | 31 |
| D1491804 | HOLDER:EXPOSURE GLASS:SCANNER | U003 | 32 |
| D1491833 | SHEET:GLASS | U003 | 33 |
| D1492557 | GUIDE:REGISTRATION:ENTRANCE:REAR | U013_S001 | 73 |
| D1492558 | GUIDE:REGISTRATION:ENTRANCE:FRONT | U013_S001 | 74 |
| D1492562 | COLLAR:REGISTRATION ROLLER | U005 | 56 |

| Number | Part Name | Group | ID |
|----------|--|----------------|-----|
| D1492571 | GUIDE:POSITIONING:REGISTRATION:FRONT | U005 | 137 |
| D1492572 | GUIDE:POSITIONING:REGISTRATION:REAR | U005 | 138 |
| D1492584 | COLLAR:SHAFT:REGISTRATION ROLLER | U009 | 20 |
| D1492585 | GUIDE:REGISTRATION:REAR RIGHT | U009 | 21 |
| D1492586 | GUIDE:REGISTRATION:FRONT RIGHT | U009 | 22 |
| D1492612 | ROLLER:GRIP:DRIVEN | U013_S001_S001 | 75 |
| D1492613 | SHAFT:GRIP:DRIVEN | U013_S001_S001 | 76 |
| D1492614 | TENSION SPRING:GRIP:PRESSURE | U013_S001_S001 | 77 |
| D1492633 | SHAFT:FEED:MANUAL FEED | U013_S001_S001 | 78 |
| D1492635 | TRANSPORT ROLLER:MANUAL FEED | U013_S001_S001 | 79 |
| D1492639 | SHAFT:PAPER STOPPER | U013_S001_S001 | 80 |
| D1492642 | SHAFT:LINK:PAPER STOPPER | U013_S001_S001 | 81 |
| D1492655 | FEELER:PAPER END SENSOR | U013_S001_S001 | 82 |
| D1492656 | TORSION SPRING:PAPER END SENSOR | U013_S001_S001 | 83 |
| D1492658 | COVER:PAPER FEED ROLLER | U013_S001_S001 | 84 |
| D1492686 | WIRE:MANUAL FEED TABLE:TC075 | U013_S001_S002 | 85 |
| D1492692 | ARM:MANUAL FEED:FRONT UPPER | U013_S001_S002 | 87 |
| D1492693 | STOPPER:MANUAL FEED TABLE | U013_S001_S002 | 88 |
| D1492694 | COMPRESSION SPRING:STOPPER:MANUAL FEED TABLE | U013_S001_S002 | 89 |
| D1492712 | SHEET:GUIDE PLATE:SWIVEL | U005_S003 | 57 |
| D1492713 | GUIDE PLATE:SWIVEL:NO.1 | U005_S003 | 58 |
| D1492739 | LEVER:PRESSURE RELEASE | U005_S001_S001 | 60 |
| | | U005_S002_S001 | 60 |
| D1492772 | ARM:PICKUP | U005_S001 | 61 |
| | | U005_S002 | 61 |
| D1492774 | PULLEY:IDLER:PICKUP | U005_S001 | 63 |
| | | U005_S002 | 63 |

Exclusive Parts

| Number | Part Name | Group | ID |
|----------|---|----------------|----|
| D1492777 | COIL SPRING:PRESSURE:PICKUP | U005_S001 | 64 |
| | | U005_S002 | 64 |
| D1492780 | GROUND WIRE:SENSOR:PAPER FEED | U005_S001 | 65 |
| | | U005_S002 | 65 |
| D1492781 | GROUND PLATE:PAPER FEED UNIT | U005_S001 | 66 |
| | | U005_S002 | 66 |
| D1492784 | BRACKET:SENSOR:PAPER FEED | U005_S001 | 67 |
| | | U005_S002 | 67 |
| D1492787 | BRACKET:SUPPORT:COVER | U005 | 68 |
| D1492788 | INNER COVER:HARNESS:PAPER FEED UNIT | U005 | 69 |
| D1492795 | BRACKET:PAPER FEED UNIT:PEEN | U016 | 28 |
| D1492812 | ROLLER:PAPER TRAY:DIA19 | U005_S004 | 70 |
| | | U005_S005 | 70 |
| D1492813 | PIN:STRETCH:TRAY | U005_S004 | 71 |
| | | U005_S005 | 71 |
| D1492814 | COIL SPRING:EARTH | U005_S004 | 72 |
| | | U005_S005 | 72 |
| D1492816 | SHAFT:RISE:ASS'Y | U005_S004 | 73 |
| | | U005_S005 | 73 |
| D1492818 | LEVER:RISE | U005_S004 | 74 |
| | | U005_S005 | 74 |
| D1492824 | LEVER:STOPPER:FRONT | U005_S004_S001 | 75 |
| | | U005_S005_S001 | 75 |
| D1492826 | COMPRESSION SPRING:SIDE FENCE:PLATE:FRONT | U005_S004_S001 | 76 |
| | | U005_S005_S001 | 76 |
| D1492827 | COMPRESSION SPRING:SIDE FENCE:POSITIONING | U005_S004_S001 | 77 |
| | | U005_S005_S001 | 77 |
| D1492836 | GEAR:Z20 | U005_S004 | 79 |
| | | U005_S005 | 79 |
| D1492842 | LEVER:END FENCE | U005_S004_S003 | 80 |
| | | U005_S005_S003 | 80 |
| D1492843 | CLICK:END FENCE | U005_S004_S003 | 81 |
| | | U005_S005_S003 | 81 |
| D1492845 | COMPRESSION SPRING:END FENCE:LEVER:5N | U005_S004_S003 | 82 |
| | | U005_S005_S003 | 82 |
| D1492847 | DECAL:SIZE INDICATION:END FENCE | U005_S004 | 83 |

| Number | Part Name | Group | ID |
|----------|--|----------------|-----|
| | CE:NO.1:REAR | | |
| D1492848 | DECAL:SIZE INDICATION:END FENCE:NO.2:FRONT | U005_S005 | 84 |
| D1492849 | DECAL:SIZE INDICATION:END FENCE:NO.2:REAR | U005_S005 | 85 |
| D1492872 | LINK:END FENCE:PAPER SIZE SENSOR | U005_S005 | 86 |
| D1492886 | COVER:TRAY:REAR RIGHT:NO.1 | U005 | 87 |
| D1492887 | COVER:TRAY:REAR LEFT:NO.1 | U005 | 88 |
| D1492888 | COVER:TRAY:REAR RIGHT:NO.2 | U005 | 89 |
| D1492889 | COVER:TRAY:REAR LEFT:NO.2 | U005 | 90 |
| D1492903 | SUPPORTER:RIGHT:NO.2:ASS'Y | U005_S007 | 91 |
| D1492905 | SUPPORTER:RIGHT:NO.1:ASS'Y | U005_S006 | 92 |
| D1492918 | SUPPORTER:LEFT UPPER:NO.1 | U005 | 93 |
| D1492923 | ROLLER:SUPPORTER:PAPER TRAY | U005_S007 | 94 |
| D1492924 | STOPPER:PAPER TRAY | U005_S006 | 95 |
| | | U005_S007 | 95 |
| D1492925 | SUPPORTER:LEFT:NO.2 | U005 | 96 |
| D1492928 | ROLLER:SUPPORTER:PAPER TRAY:LEFT | U005 | 97 |
| D1492930 | SUPPORTER:LEFT LOWER:NO.1:PEEN | U005 | 98 |
| D1492956 | ROLLER:SUPPORTER:PAPER TRAY | U005_S006 | 99 |
| D1492958 | ROLLER:SUPPORTER:PAPER TRAY:LEFT | U005 | 100 |
| D1493071 | GEAR:DEVELOPMENT ROLLER | U006_S001_S003 | 36 |
| | | U006_S002_S003 | 36 |
| | | U006_S003_S003 | 36 |
| | | U006_S004_S003 | 36 |
| D1493073 | JOINT:DEVELOPMENT | U006_S004_S003 | 21 |
| D1493074 | GEAR:IDLER:TRANSPORT SCREW | U006_S004_S003 | 22 |
| D1493075 | GEAR:IDLER:DEVELOPMENT ROLLER | U006_S004_S003 | 23 |
| D1493108 | SEAL:TONER SUPPLY:ENTRANCE | U006_S001_S003 | 39 |
| | | U006_S002_S003 | 39 |
| | | U006_S003_S003 | 39 |

Exclusive Parts

| Number | Part Name | Group | ID |
|----------|---|----------------|----|
| | | U006_S004_S003 | 39 |
| D1493210 | DC MOTOR:TONER BOTTLE:ASSY: :5.28W:BRUSH:(M11/M12/M13/M14) | U007_S010_S001 | 25 |
| | | U007_S011_S001 | 25 |
| | | U007_S012_S001 | 25 |
| | | U007_S013_S001 | 25 |
| D1493256 | BASE:TONER HOPPER:REAR:ASSY | U007_S005 | 26 |
| D1493321 | DUCT:VERTICAL TRANSPORT:TONER SUPPLY | U007 | 27 |
| D1493322 | SHUTTER:DUCT:TONER SUPPLY | U007 | 28 |
| D1493330 | SEAL:CONNECTION:CARTRIDGE:TONER SUPPLY | U007 | 29 |
| D1493331 | COVER:GEAR:TONER SUPPLY SUB-UNIT | U007 | 30 |
| D1493343 | COLLAR:TONER SUPPLY | U007_S008 | 31 |
| | | U007_S010 | 31 |
| | | U007_S011 | 31 |
| | | U007_S012 | 31 |
| | | U007_S013 | 31 |
| | | U007_S014 | 31 |
| | | U007_S015 | 31 |
| | | U007_S016 | 31 |
| D1493350 | DC STEPPER MOTOR:TONER SUPPLY:(M19/M20/M22) | U007_S006 | 32 |
| | | U007_S007 | 32 |
| | | U007_S009 | 32 |
| D1494202 | ENCODER:ON-OFF:PRESSURE ROLLER | U011_S001 | 51 |
| D1494209 | SHAFT:ON-OFF:PRESSURE ROLLER | U011_S001 | 52 |
| D1494235 | STEPPED SCREW:M3 | U011_S001 | 53 |
| D1494335 | ELECTRODE PLATE:CONNECTING:THERMOSTAT | U011_S001 | 54 |
| D1494371 | BRACKET:PHOTOINTERRUPTOR | U011 | 55 |
| D1494421 | GEAR:EXIT ROLLER | U012_S001 | 28 |
| D1494422 | GEAR:REVERSE ROLLER | U012_S001 | 29 |
| D1494427 | STUD:PULLEY:BRACKET:DC STEPPER MOTOR | U012_S001 | 30 |

| Number | Part Name | Group | ID |
|----------|---|----------------|-----|
| D1494428 | GROUND PLATE:PAPER EXIT UNIT | U012_S001 | 31 |
| D1494429 | PULLEY:GEAR:REVERSE | U012_S001 | 32 |
| D1494434 | TENSION SPRING:LEVER:GATE P AWL | U012_S001 | 33 |
| D1494463 | GROUND WIRE:SENSOR:REVERSE | U012_S001 | 34 |
| D1494468 | SHAFT:DRIVEN:REVERSE ROLLER | U012_S001 | 35 |
| D1494469 | SPRING PLATE:ROLLER:DRIVEN:REVERSE ROLLER | U012_S001 | 36 |
| D1494471 | SHAFT:DRIVEN:REVERSE ROLLER:OUTER | U012_S001 | 37 |
| D1494484 | TORSION SPRING:LEVER:GATE P AWL | U012_S001 | 38 |
| D1494492 | TRAY:REVERSE | U001 | 37 |
| D1494623 | GROUND WIRE:BRACKET:ENTRANCE:DUPLEX | U013 | 90 |
| D1494638 | GUIDE:WIRE | U013_S001 | 91 |
| D1494647 | SYNCHRONOUS BELT:30S2M212 | U013_S001 | 94 |
| D1494653 | TENSION SPRING:SWIVEL | U013_S001 | 95 |
| D1494656 | HOOK:STOPPER:DUPLEX UNIT:FRONT | U013_S001 | 96 |
| D1494657 | HOOK:STOPPER:DUPLEX UNIT:REAR | U013_S001 | 97 |
| D1494658 | COIL SPRING:LEVER:DUPLEX | U013_S001 | 98 |
| D1494662 | DIFFUSION PLATE:LED | U009_S001 | 24 |
| D1494672 | COMPRESSION SPRING:DRIVEN | U013_S001 | 99 |
| D1494675 | COVER:PUSH SWITCH | U013_S001 | 100 |
| D1494677 | STAY:CONTACT POINT:GUIDE PLATE:DRIVEN | U013_S001 | 101 |
| D1494688 | LINK:DUPLEX:MAIN | U013_S001 | 102 |
| D1494695 | LINK:FRONT | U013_S001 | 103 |
| D1494706 | PIN:ARM:FRONT LOWER | U013_S001_S002 | 104 |
| D1494711 | DECAL:SIDE FENCE:MANUAL FEED | U013_S001_S002 | 105 |
| D1494717 | PLATE:SIDE FENCE:FRONT | U013_S001_S002 | 107 |

Exclusive Parts

| Number | Part Name | Group | ID |
|----------|--|----------------------------------|------------|
| D1494718 | TORSION SPRING:SIDE FENCE:FRONT | U013_S001_S002_S001 | 108 |
| D1494720 | PLATE:SIDE FENCE:REAR | U013_S001_S002_S002 | 109 |
| D1494721 | TORSION SPRING:SIDE FENCE:REAR | U013_S001_S002_S002 | 110 |
| D1494731 | COMPRESSION SPRING:RACK:MANUAL FEED | U013_S001_S002 | 111 |
| D1494755 | BRACKET:HINGE:DUPLEX:FRONT | U013 | 112 |
| D1494777 | COMPRESSION SPRING:FLAT CONVEYER BELT:DRIVEN | U013_S001_S003 U013_S001_S004 | 113 113 |
| D1494850 | ARM:PUSH SWITCH | U013_S001 | 114 |
| D1494883 | ARM:MANUAL FEED:FRONT LOWER | U013_S001_S002 | 115 |
| D1494884 | ARM:MANUAL FEED:REAR LOWER | U013_S001_S002 | 116 |
| D1495711 | BRACKET:ARM:SAFETY SWITCH:FRONT | U015_S001 | 60 |
| D1495713 | ARM:SAFETY SWITCH:FRONT | U015_S001 | 61 |
| D1495714 | SHAFT:ARM:SAFETY SWITCH | U015_S001 | 62 |
| D1495717 | BASE:SAFETY SWITCH | U015_S001 | 63 |
| D1495718 | TORSION SPRING:SAFETY SWITCH | U015_S001 | 64 |
| D1495726 | LEVER:SAFETY SWITCH:RIGHT | U015_S001 | 65 |
| D1495742 | COVER:HARNES:OPTICAL WRITING UNIT | U015 | 66 |
| D1495776 | COVER:USB:SMALL | U015 | 67 |
| D1495810 | BRACKET:RACK:UPPER | U015 | 68 |
| D1495818 | SPACER:FFC | U015 | 69 |
| D1495824 | COVER:CONNECTOR:HEATER:0.4MM | U015 | 70 |
| D1495883 | KEYTOP:MAIN SWITCH | U001 | 38 |
| D1495884 | COMPRESSION SPRING:KEYTOP | U001 | 39 |
| D1496030 | CAM:ON-OFF:COLLAR | U008_S001_S001 | 27 |
| D1496039 | COMPRESSION SPRING:LEVER | U008_S001_S001 | 57 |
| D1496133 | VIBRATING PLATE:FRONT:PEEN | U008_S001_S001 | 51 |
| D1496136 | VIBRATING PLATE:REAR:PEEN | U008_S001_S001 | 52 |
| D1496163 | TENSION SPRING:SHUTTER:BELT | U008_S001_S003 | 29 |

| Number | Part Name | Group | ID |
|----------|--|---------------------|----|
| | CLEANING | U008_S001_S004_S001 | 29 |
| D1496172 | BRACKET:BELT CLEANING:FRONT | U008_S001 | 30 |
| D1496173 | BRACKET:BELT CLEANING:REAR | U008_S001 | 31 |
| D1496179 | GEAR:IDLER:DISCHARGE USED TONER | U008_S001_S004_S001 | 33 |
| D1496190 | GEAR:DISCHARGE USED TONER | U008_S001_S004_S001 | 34 |
| D1496195 | CAM:DISCHARGE USED TONER | U008_S001_S004_S001 | 35 |
| D1496226 | LEVER:TRANSFER/SEPARATION UNIT:FRONT | U009_S001 | 25 |
| D1496227 | LEVER:SET:FRONT | U009_S001 | 26 |
| D1496228 | TORSION SPRING:LEVER:SET:FRONT | U009_S001 | 27 |
| D1496229 | TENSION SPRING:LEVER:SET | U009_S001 | 28 |
| D1496231 | LEVER:TRANSFER/SEPARATION UNIT:REAR | U009_S001 | 29 |
| D1496232 | LEVER:SET:REAR | U009_S001 | 30 |
| D1496233 | TORSION SPRING:LEVER:SET:REAR | U009_S001 | 31 |
| D1496242 | COMPRESSION SPRING:PRESSURE:TRANSFER ROLLER | U009_S001 | 32 |
| D1496243 | RECEIVE PLATE:COMPRESSION SPRING:TRANSFER ROLLER | U009_S001 | 33 |
| D1496245 | GROUND PLATE:TRANSFER/SEPARATION UNIT | U009_S001 | 34 |
| D1496248 | CAP:LED | U009_S001 | 35 |
| D1496254 | DECAL:GRIP:B:LOWER | U009_S001 | 36 |
| D1496257 | GROUND PLATE:REGISTRATION ROLLER | U009_S001 | 37 |
| D1496290 | GUIDE:SET:TRANSFER/SEPARATION UNIT:FRONT | U009 | 38 |
| D1496291 | GUIDE:SET:TRANSFER/SEPARATION UNIT:REAR | U009 | 39 |
| D1496295 | COVER:HARNES:TRANSFER/SEPARATION UNIT | U009 | 40 |

Exclusive Parts

| Number | Part Name | Group | ID |
|----------|--|-----------|----|
| D1496309 | SHAFT:ON-OFF:COLLAR:MAIN | U008 | 36 |
| D1496310 | BRACKET:ON-OFF:COLLAR | U008 | 37 |
| D1496312 | JOINT:ON-OFF:COLLAR | U008 | 38 |
| D1496318 | DC STEPPER MOTOR:ON-OFF:(M21) | U007_S008 | 33 |
| D1496320 | TERMINAL:BIAS:INTERMEDIATE TRANSFER:MAIN | U008 | 39 |
| D1496321 | HOLDER:TERMINAL:INTERMEDIATE TRANSFER:MAIN | U008 | 40 |
| D1496552 | GEAR:IDLER:Z30 | U010 | 17 |
| D1496553 | GEAR:IDLER:Z61 | U010 | 18 |
| D1496554 | GEAR:PULLEY:IDLER:Z16 | U010 | 19 |
| D1496555 | GEAR:IDLER:Z21 | U010 | 20 |
| D1496556 | TENSION SPRING:BELT TENSIONER | U010 | 21 |
| D1496557 | SYNCHRONOUS BELT:40S3M564 | U010 | 22 |
| D1496561 | PULLEY:USED TONER | U010 | 23 |
| D1496562 | BRACKET:TIGHTENER:USED TONER | U010 | 24 |
| D1496571 | BRACKET:PULLEY:IDLER:USED TONER | U010 | 25 |
| D1496574 | GEAR:PULLEY:IDLER:Z18 | U010 | 26 |
| D1496575 | FLANGE:IDLER:USED TONER | U010 | 27 |
| D1496581 | SHAFT:DRIVE:USED TONER:RIGHT | U010 | 28 |
| D1496582 | GEAR:USED TONER:RIGHT | U010 | 29 |
| D1496583 | GEAR:USED TONER:INPUT | U010 | 30 |
| D1496586 | SHAFT:DRIVE:USED TONER:LEFT | U010 | 31 |
| D1496587 | GEAR:USED TONER:LEFT | U010 | 32 |
| D1496592 | RAIL:COLLECTION BOTTLE | U010 | 33 |
| D1496767 | (CHN):DECAL:CAUTION:ORIGINAL:CHINESE | U017 | 10 |
| D1496852 | (EU/TWN/CHN):DECAL:MAIN SWITCH:ON-STANDBY | U017 | 11 |
| D1496859 | DECAL:CLEANING:SHIELD GLASS | U001 | 40 |
| D1496862 | DECAL:SIZE INDICATION:PAPER TRAY | U017 | 12 |
| D1496893 | DECAL:PCU:BLACK | U001 | 41 |

| Number | Part Name | Group | ID |
|----------|--|----------------|-----|
| D1496894 | DECAL:PCU:CYAN | U001 | 42 |
| D1496895 | DECAL:PCU:MAGENTA | U001 | 43 |
| D1496896 | DECAL:PCU:YELLOW | U001 | 44 |
| D1497922 | COVER:FAN:DEVELOPMENT:RIGHT LOWER | U016 | 29 |
| D1497923 | DUCT:DEVELOPMENT:RIGHT LOWER | U016 | 30 |
| D1497932 | DUCT:PCU:EXHAUST | U016 | 31 |
| D1497938 | OZONE FILTER | U016_S001 | 32 |
| D1497953 | DUCT:SUPPLY:C | U016 | 33 |
| D1497954 | DUCT:SUPPLY:D | U016 | 34 |
| D1497955 | DUCT:SUPPLY:FAN:UPPER | U016 | 35 |
| D1497956 | DUCT:SUPPLY:FAN:LOWER | U016 | 36 |
| D1497982 | DUCT:POWER SUPPLY UNIT | U016 | 37 |
| D1497983 | BRACKET:FAN:POWER SUPPLY UNIT | U016 | 38 |
| D1497984 | DUCT:REAR:POWER SUPPLY UNIT | U001 | 45 |
| D1497986 | GUIDE:THERMISTOR | U016 | 39 |
| D1501095 | BRACKET:POSITIONING:FUSING UNIT:M3 | U001 | 46 |
| D1501235 | COVER:UPPER:INNER BACK:BIN | U001 | 47 |
| D1501282 | COVER:SCANNER:UPPER:FRONT | U001 | 48 |
| D1502666 | GEAR:SIDE FENCE:MANUAL FEED TABLE | U013_S001_S002 | 117 |
| D1751377 | GEAR:PRESSURE RELEASE:NO.3 | U014_S002 | 43 |
| D1752726 | STOPPER:GUIDE PLATE:SWIVEL | U005_S002 | 104 |
| D1771302 | CLEANER:SHIELD GLASS:ASS'Y | U017 | 13 |
| D1771592 | SCREW:M3X6 | U014 | 44 |
| D2021143 | JOINT:DRIVE | U014_S001 | 45 |
| D2021191 | GEAR:GRIP:NO.1 | U014_S001 | 47 |
| D2021193 | STUD:PAPER FEED:GRIP:ASS'Y | U014_S001 | 48 |
| D2021195 | PULLEY:GRIP:NO.2 | U014_S001 | 49 |
| D2022614 | COIL SPRING:RELEASE:PICKUP:MANUAL FEED | U013_S001_S001 | 119 |
| D2022619 | TORSION SPRING:PICKUP | U013_S001_S001 | 120 |
| D2022620 | SHOE:TORSION SPRING:PICKUP | U013_S001_S001 | 121 |
| D2022624 | COVER:PAPER END | U013_S001_S001 | 122 |

Exclusive Parts

| Number | Part Name | Group | ID |
|----------|--|----------------|-----|
| D2022625 | BRACKET:PAPER END SENSOR:MANUAL FEED | U013_S001_S001 | 123 |
| D2022638 | FEELER:PAPER SIZE SENSOR:MANUAL FEED | U013_S001_S002 | 124 |
| D2022640 | EXTENSION TRAY:NO.1 | U013_S001_S002 | 125 |
| D2022641 | EXTENSION TRAY:NO.2 | U013_S001_S002 | 126 |
| D2022642 | PULLEY:WIRE:MANUAL FEED TABLE | U013_S001_S002 | 127 |
| D2022646 | ARM:MANUAL FEED:REAR UPPER | U013_S001_S002 | 128 |
| D2022676 | DECAL:SCALE:MANUAL FEED:MIDDLE | U013_S001_S002 | 129 |
| D2022677 | DECAL:SCALE:MANUAL FEED:REAR | U013_S001_S002 | 130 |
| D2022778 | FEELER:PAPER END | U005_S001 | 105 |
| | | U005_S002 | 105 |
| D2022791 | GUIDE:FEED | U005_S001 | 139 |
| | | U005_S002 | 139 |
| D2024477 | REVERSE ROLLER | U012_S001 | 39 |
| D2024673 | FEELER:DUPLEX:ENTRANCE SENSOR | U013_S001 | 131 |
| D2024674 | TORSION SPRING:DUPLEX:ENTRANCE SENSOR | U013_S001 | 132 |
| D2024679 | DRIVEN ROLLER:DIA16:DUPLEX | U013_S001 | 133 |
| D2024682 | DRIVEN ROLLER:DIA16 | U013_S001 | 135 |
| D2024684 | GROUND WIRE:BRACKET:DRIVEN ROLLER | U013_S001 | 136 |
| D2024692 | SHAFT:PRESSURE:GUIDE PLATE:UPPER | U013_S001 | 137 |
| D2024721 | BRACKET:LINK:DUPLEX | U013_S001 | 138 |
| D2024722 | LINK:DUPLEX | U013_S001 | 139 |
| D2024726 | TORSION SPRING:LINK:CONTACT POINT | U013_S001 | 140 |
| D2026255 | DECAL:GRIP:B | U009_S001 | 41 |
| D2380072 | (EU/AA/KOR/CHN):HEATER:SCANNER:220/240V:ASS'Y | U018 | 1 |
| D2386640 | (EU/AA/KOR/CHN):HEATER:PAPER TRAY:220/240V:ASS'Y | U018_S001 | 2 |
| D2388100 | SERVICE PARTS:SD-CARD:QMT_P | SPECIAL TOOLS | 8 |

| Number | Part Name | Group | ID |
|----------|--|-----------|-----|
| | HASE1 | | |
| D2391109 | BRACKET:DC SOLENOID:ASS'Y | U014 | 52 |
| D2391117 | DRIVE UNIT:ENGINE:ASS'Y:D238/D239 | U014_S004 | 53 |
| D2391265 | COVER:RIGHT:REAR | U001 | 49 |
| D2394262 | FUSING COVER:LOWER | U011_S001 | 56 |
| D2395772 | PANEL:CONTROL BOARD:D238/D239 | U015 | 71 |
| D2395888 | COVER:FAX | U015 | 72 |
| D2395889 | RAIL:FAX | U015 | 73 |
| D2411113 | GUIDE:HARNESS:RIGHT | U014 | 54 |
| D2411242 | COVER:MAIN SWITCH | U005_S004 | 106 |
| D2411251 | COVER:LEFT:UPPER | U001 | 50 |
| D2411260 | COVER:REAR:LOWER | U001 | 51 |
| D2411263 | CAP:LOUVER:DEODORIZE FILTER | U001 | 53 |
| D2411264 | COVER:REAR:SUB-ASS'Y | U001 | 52 |
| D2411266 | COVER:RIGHT:FRONT LOWER | U001 | 54 |
| D2411273 | INNER COVER:FRONT:LOWER | U001 | 55 |
| D2411275 | INNER COVER:FRONT:RIGHT LOWER | U001 | 56 |
| D2411284 | COVER:SCANNER:LEFT | U001 | 57 |
| D2411285 | COVER:SCANNER:UPPER:LEFT | U001 | 58 |
| D2411297 | BRACKET:COVER:LEFT UPPER REAR | U001 | 59 |
| D2411298 | INNER COVER:RIGHT | U001 | 60 |
| D2411308 | BAND:STOPPER:DOOR | U001 | 61 |
| D2411309 | MAGNET CATCH | U001 | 62 |
| D2411378 | GEAR:FUSING:NO.3 | U014_S002 | 55 |
| D2411396 | HOLDER:TORQUE LIMITER MECHANICAL CLUTCH:PRESSURE RELEASE | U014_S002 | 56 |
| D2411671 | PROTECTION:CARRIAGE:SCANNER | U003 | 34 |
| D2411680 | GUIDE ROD | U003 | 36 |
| D2411681 | STAY:GUIDE ROD | U003 | 37 |
| D2411684 | COVER:HARNESS:SCANNER | U003 | 38 |
| D2411685 | SPRING PLATE:GUIDE ROD | U003 | 39 |
| D2411686 | CLAMP:STAY:GUIDE ROD | U003 | 40 |

Exclusive Parts

| Number | Part Name | Group | ID |
|----------|-------------------------------------|-----------|-----|
| D2411688 | SHEET:GLASS:LARGE | U003 | 41 |
| D2411689 | HOLDER:EXPOSURE GLASS | U003 | 42 |
| D2411697 | SLIDE RAIL | U003 | 43 |
| D2411698 | COVER:BASE:SCANNER | U003 | 44 |
| D2411701 | PULLEY:IDLER:LEADING EDGE | U003 | 45 |
| D2411702 | CAP:PULLEY:IDLER:LEADING EDGE | U003 | 46 |
| D2411708 | TIGHTENER:DIA8 | U003 | 47 |
| D2411710 | PULLEY:IDLER:TRAILING EDGE | U003 | 48 |
| D2411711 | CAP:IDLER:TRAILING EDGE | U003 | 49 |
| D2411712 | TENSION SPRING:TIGHTENER:TENSION:4N | U003 | 50 |
| D2411715 | PULLEY:DRIVE | U003 | 51 |
| D2411716 | CAP:PULLEY:DRIVE:UPPER | U003 | 52 |
| D2411717 | CAP:PULLEY:DRIVE:LOWER | U003 | 53 |
| D2411719 | DC STEPPER MOTOR:(M26) | U003 | 54 |
| D2411722 | TENSION SPRING:TENSION:11N | U003 | 55 |
| D2411727 | SHEET:GAP:ASS'Y | U003 | 56 |
| D2411732 | SCALE:LEFT:MM:ASS'Y | U003 | 57 |
| D2411733 | COVER:SHEET THROUGH:DOCUMENT FEEDER | U003 | 58 |
| D2411738 | SCALE:REAR:PRINTING:MM | U003 | 59 |
| D2411741 | BRACKET:DOCUMENT FEEDER:LEFT | U003 | 60 |
| D2411742 | BRACKET:DOCUMENT FEEDER:RIGHT | U003 | 61 |
| D2411744 | DOCUMENT FEEDER:CABLE:BRACKET | U003 | 62 |
| D2411766 | SHEET:FLAT CABLE:SBU | U003 | 63 |
| D2411767 | PLAIN SHAFT BEARING:90ANG | U003_S001 | 64 |
| D2411768 | SLIDE SHOE | U003_S001 | 67 |
| D2411770 | HOLDER:FERRITE CORE | U003 | 65 |
| D2411788 | CAP:COVER:POSITIONING | U017 | 14 |
| D2412559 | SHAFT:REGISTRATION ROLLER:DRIVEN | U005 | 107 |
| D2412576 | GUIDE PLATE:REGISTRATION:FRONT LEFT | U005 | 108 |
| D2412583 | REGISTRATION ROLLER:DRIVE | U009 | 42 |

| Number | Part Name | Group | ID |
|----------|--|----------------|-----|
| D2412612 | DC SOLENOID:PICKUP:ASS'Y:(SOL1) | U013_S001_S001 | 141 |
| D2412622 | COVER:DAMPER | U013_S001_S001 | 142 |
| D2412641 | COVER:PAPER STOPPER:MANUAL FEED | U013_S001_S001 | 143 |
| D2412643 | ARM:LINK:PAPER STOPPER | U013_S001_S001 | 144 |
| D2412644 | TORSION SPRING:LINK:PAPER STOPPER | U013_S001_S001 | 145 |
| D2412652 | GROUND PLATE:SHAFT:FEED | U013_S001_S001 | 146 |
| D2412657 | GROUND WIRE:MANUAL FEED UNIT:REAR | U013_S001_S001 | 147 |
| D2412663 | DECAL:SCALE:MANUAL FEED:FRONT | U013_S001_S002 | 148 |
| D2412671 | GUIDE PLATE:VERTICAL TRANSPORT:NO.1:DRIVEN:ASS'Y | U013_S001_S003 | 149 |
| D2412672 | GUIDE PLATE:VERTICAL TRANSPORT:NO.2:DRIVEN:ASS'Y | U013_S001_S004 | 150 |
| D2412673 | GUIDE PLATE:VERTICAL TRANSPORT:NO.1:DRIVEN | U013_S001_S003 | 151 |
| D2412674 | GUIDE PLATE:VERTICAL TRANSPORT:NO.2:DRIVEN | U013_S001_S004 | 152 |
| D2412676 | HOLDER:DRIVEN:BELT | U013_S001_S003 | 153 |
| D2412678 | SHAFT:FLAT CONVEYER BELT:DRIVEN | U013_S001_S003 | 154 |
| D2412682 | STAY:REAR:MANUAL FEED TABLE | U013_S001_S002 | 155 |
| D2412685 | DECAL:PAPER SET DIRECTION:MANUAL FEED | U013_S001_S002 | 156 |
| D2412705 | STAY:PAPER FEED UNIT:LOWER:ASS'Y | U005_S001_S001 | 109 |
| D2412719 | GROUND PLATE:SENSOR:TRANSPORT | U005_S001 | 110 |
| D2412730 | STAY:SEPARATE:PEEN | U005_S001_S001 | 111 |
| D2412731 | STOPPER:GUIDE PLATE:SWIVEL | U005 | 112 |
| D2412736 | BRACKET:SEPARATE:REAR | U005_S001_S001 | 113 |
| D2412741 | GUIDE PLATE:VERTICAL TRANSPORT | U005_S001 | 114 |

Exclusive Parts

| Number | Part Name | Group | ID |
|----------|---|----------------------------------|------------|
| | ORT:PAPER FEED UNIT:NO.1 | | |
| D2412742 | GUIDE PLATE:VERTICAL TRANSP ORT:PAPER FEED UNIT:NO.2 | U005_S002 | 115 |
| D2412754 | COIL SPRING:PRESSURE:SEPARA TE | U005_S001_S001 U005_S002_S001 | 116 116 |
| D2412760 | STAY:PAPER FEED UNIT:UPPER:P EEN | U005_S001 U005_S002 | 118 118 |
| D2412762 | TRANSPORT ROLLER:VERTICAL T RANSPORT:ASS'Y | U005_S001 U005_S002 | 117 117 |
| D2412782 | PLATE:HARNESS:PAPER FEED U NIT | U005_S001 U005_S002 | 119 119 |
| D2412837 | DECAL:SET:SIDE FENCE:AUXILIA RY | U005_S005 | 120 |
| D2412865 | COVER:PAPER TRAY:NO.1 | U005_S004 | 121 |
| D2412869 | DECAL:SIZE INDICATION:SIDE FE NCE:NO.2 | U005_S005 | 122 |
| D2412873 | SIDE FENCE:AUXILIARY | U005_S005_S004 U005_S005_S005 | 123 123 |
| D2412883 | DECAL:SIZE INDICATION:SIDE FE NCE:AUXILIARY:FRONT | U005_S005 | 124 |
| D2412884 | DECAL:SIZE INDICATION:SIDE FE NCE:AUXILIARY:REAR | U005_S005 | 125 |
| D2412885 | DECAL:SIDE FENCE:AUXILIARY | U005_S005_S004 U005_S005_S005 | 126 126 |
| D2412896 | SHEET:HEAT SINK:HEATER | U018_S001 | 11 |
| D2412906 | LEVER:STRETCH:PAPER TRAY:AS S'Y | U005_S008 U005_S009 | 127 127 |
| D2412991 | PLAIN SHAFT BEARING:INNER:DR IVE:REGISTRATION ROLLER | U009 | 43 |
| D2412993 | STOPPER:REGISTRATION ROLLE R | U009 | 44 |
| D2412994 | COMPRESSION SPRING:REGISTR ATION:INNER:DRIVE | U009 | 45 |
| D2413336 | COVER:GEAR:TONER SUPPLY SU B-UNIT:C | U007 | 34 |
| D2414023 | HOLDER:DRIVEN ROLLER:FUSING EXIT:FRONT | U011_S001 | 57 |
| D2414024 | HOLDER:DRIVEN ROLLER:FUSING | U011_S001 | 58 |

| Number | Part Name | Group | ID |
|----------|---|-----------|----|
| | EXIT:REAR | | |
| D2414108 | GUIDE:FUSING EXIT:LEFT | U011_S001 | 59 |
| D2414113 | BRACKET:THERMISTOR:PRESSU RE ROLLER | U011_S001 | 60 |
| D2414121 | INNER COVER:PRESSURE ROLLE R:REAR | U011_S001 | 61 |
| D2414122 | INNER COVER:PRESSURE ROLLE R:FRONT | U011_S001 | 62 |
| D2414123 | DISCHARGE BRUSH:PRESSURE R OLLER | U011_S001 | 63 |
| D2414137 | LEVER:PRESSURE:FRONT:PEEN | U011_S001 | 64 |
| D2414140 | HOLDER:PRESSURE:FRONT:ASS' Y | U011_S001 | 65 |
| D2414155 | HOLDER:PRESSURE:REAR:ASS'Y | U011_S001 | 66 |
| D2414160 | LEVER:PRESSURE:REAR:PEEN | U011_S001 | 67 |
| D2414212 | GATE PAWL:FUSING EXIT | U011_S001 | 68 |
| D2414215 | GUIDE:FUSING EXIT:RIGHT:ASS'Y | U011_S001 | 69 |
| D2414219 | DECAL:C:GUIDE PLATE:FUSING E XIT | U011_S001 | 70 |
| D2414221 | STRIPPER PLATE:FUSING EXIT:A SS'Y | U011_S001 | 71 |
| D2414252 | FUSING ENTRANCE GUIDE PLATE | U011_S001 | 72 |
| D2414332 | HOUSING:THERMOSTAT | U011_S001 | 73 |
| D2414334 | COVER:HOUSING:THERMOSTAT | U011_S001 | 74 |
| D2414337 | TERMINAL:THERMOSTAT:DRAWE R | U011_S001 | 75 |
| D2414338 | TERMINAL:THERMOSTAT:HEATER | U011_S001 | 76 |
| D2414342 | HOUSING:NON-CONTACT TYPE T HERMISTOR | U011_S001 | 77 |
| D2414354 | BRACKET:DRAWER:MAIN | U011 | 97 |
| D2414365 | HOLDER:THERMOPILE | U011 | 78 |
| D2414366 | BRACKET:THERMOPILE | U011 | 79 |
| D2414367 | STOPPER:THERMOPILE | U011 | 80 |
| D2414441 | GUIDE PLATE:EXIT:UPPER | U012_S001 | 40 |
| D2414448 | SHAFT:FEELER:OVERFLOW | U012_S001 | 41 |
| D2414458 | GUIDE:COVER:UPPER | U001 | 63 |
| D2414461 | GUIDE PLATE:REVERSE:UPPER | U012_S001 | 42 |
| D2414466 | GUIDE PLATE:REVERSE:LOWER | U012_S001 | 43 |

Exclusive Parts

| Number | Part Name | Group | ID |
|----------|-----------------------------------|----------------|-----|
| D2414472 | END FENCE:TRAY:EXIT:ASS'Y | U017 | 15 |
| D2414476 | EXIT ROLLER | U012_S001 | 44 |
| D2414481 | GATE PAWL:EXIT | U012_S001 | 45 |
| D2414483 | LEVER:GATE PAWL | U012_S001 | 46 |
| D2414494 | TRAY:AUXILIARY:EXIT | U012 | 47 |
| D2414499 | COMPRESSION SPRING:BASE:TRAY:EXIT | U012 | 48 |
| D2414617 | TRANSPORT ROLLER:DUPLEX:2:DIA8 | U013_S001 | 157 |
| D2414627 | COVER:DUPLEX | U013_S001 | 158 |
| D2414628 | GUIDE PLATE:DUPLEX:EXIT | U013_S001 | 159 |
| D2414635 | SHEET:CUSHION | U013_S001 | 160 |
| D2414640 | TRANSPORT ROLLER:EXIT:DIA8 | U013_S001 | 161 |
| D2414642 | TRANSPORT ROLLER:DUPLEX:1 | U013_S001 | 162 |
| D2414643 | TRANSPORT ROLLER:ENTRANCE | U013_S001 | 163 |
| D2414648 | BRACKET:SWIVEL:PEEN | U013_S001 | 199 |
| D2414652 | GEAR:PULLEY:SWIVEL | U013_S001 | 164 |
| D2414660 | GUIDE PLATE:UPPER:RIGHT:DUPLEX | U013_S001 | 165 |
| D2414676 | LEVER:PRESSURE:DUPLEX | U013_S001 | 167 |
| D2414677 | COMPRESSION SPRING:EXIT:UPPER | U013_S001 | 168 |
| D2414681 | BRACKET:MOTOR:PEEN | U013_S001 | 169 |
| D2414684 | GEAR:OUTPUT | U013_S001 | 170 |
| D2414692 | INNER COVER:REAR:DUPLEX | U013_S001 | 171 |
| D2414693 | INNER COVER:FRONT:DUPLEX | U013_S001 | 172 |
| D2414694 | CAP:BELT:DUPLEX | U013_S001 | 173 |
| D2414697 | GROUND WIRE:EXIT SENSOR:DUPLEX | U013_S001 | 174 |
| D2414707 | GEAR:FEED:MANUAL FEED:DRIVE | U013_S001 | 175 |
| D2414708 | GEAR:SEPARATOR:MANUAL FEED:DRIVE | U013_S001 | 176 |
| D2414709 | GEAR:TRANSPORT ROLLER:MANUAL FEED | U013_S001 | 177 |
| D2414710 | GEAR:IDLER | U013_S001 | 178 |
| D2414722 | BRACKET:FRONT | U013_S001_S001 | 179 |
| D2414750 | BRACKET:MOTOR:DUPLEX | U013 | 180 |
| D2414755 | GEAR:OUTPUT:DUPLEX:ENTRANCE | U013 | 181 |

| Number | Part Name | Group | ID |
|----------|---|----------------|-----|
| | CE | | |
| D2414761 | DRIVEN ROLLER:DIA16 | U013_S001 | 183 |
| D2414762 | DRIVEN ROLLER:DIA18 | U013_S001 | 184 |
| D2414763 | GUIDE:HARNESS:ENTRANCE SENSOR:DUPLEX | U013_S001 | 185 |
| D2414765 | PULLEY:T26 | U013_S001 | 186 |
| D2414766 | PULLEY:T26/T26 | U013_S001 | 187 |
| D2414923 | STAY:CONTACT POINT:DUPLEX | U013_S001 | 189 |
| D2414929 | DC SOLENOID:FUSING EXIT:ASS'Y:(SOL3) | U012 | 49 |
| D2414937 | TENSION SPRING:GATE:REVERSE | U012_S001 | 51 |
| D2414938 | TENSION SPRING:LINK:DC SOLENOID:FUSING EXIT | U012 | 52 |
| D2414941 | GATE PAWL:REVERSE:FRONT MIDDLE | U012_S001 | 53 |
| D2414942 | GATE PAWL:REVERSE:REAR MIDDLE | U012_S001 | 54 |
| D2414943 | GATE PAWL:REVERSE:REAR | U012_S001 | 55 |
| D2414946 | SHAFT:GATE PAWL:REVERSE | U012_S001 | 56 |
| D2414947 | GATE PAWL:REVERSE:FRONT | U012_S001 | 57 |
| D2414948 | GUIDE:HARNESS:REVERSE | U012_S001 | 58 |
| D2414950 | ROLLER:EXIT:PRESSURE:2TYPE:ASS'Y | U012_S001_S001 | 59 |
| D2414955 | HOLDER:ROLLER:EXIT:PRESSURE:2TYPE | U012_S001 | 60 |
| D2414971 | LINK:PLATE:EXIT | U012 | 61 |
| D2414972 | GUIDE:PLATE:EXIT | U012 | 62 |
| D2414981 | COIL SPRING:ROLLER:PRESSURE:EXIT | U012_S001 | 63 |
| D2414992 | DISCHARGE BRUSH:EXIT | U012_S001 | 64 |
| D2414995 | GUIDE PLATE:UPPER | U013_S001 | 190 |
| D2414996 | DC SOLENOID:ASS'Y:(SOL2) | U012_S001 | 66 |
| D2414998 | CUSHION:DC SOLENOID:4MM | U012_S001 | 67 |
| D2415707 | BRACKET:HUMAN DETECTION SENSOR | U015 | 74 |
| D2415711 | COVER:HUMAN DETECTION SENSOR:CONNECTOR | U001 | 64 |

Exclusive Parts

| Number | Part Name | Group | ID |
|----------|--|-----------|-----|
| D2415712 | PLATE:HUMAN DETECTION SENSOR:SENSOR | U015 | 75 |
| D2415738 | BRACKET:MAIN SWITCH | U015 | 76 |
| D2415764 | COVER:POWER PACK:CB | U015 | 77 |
| D2415797 | FRAME:RACK:RIGHT:PEEN | U015 | 108 |
| D2415800 | RACK:RIGHT:AUXILIARY | U015 | 79 |
| D2415801 | COVER:RACK:REAR | U015 | 80 |
| D2415803 | GUIDE:HARNESS:C/T BOX | U015 | 81 |
| D2415817 | GUIDE:FFC:2 | U015 | 82 |
| D2415831 | CAP:GUIDE:WIRE | U015 | 83 |
| D2415832 | CAP:GUIDE:COIL SPRING | U015 | 84 |
| D2415841 | BASE:GUIDE:WIRE | U015 | 85 |
| D2415842 | COVER:GUIDE:WIRE | U015 | 86 |
| D2415850 | WIRE:CHARGE:K | U015 | 87 |
| D2415851 | WIRE:DEVELOPMENT:K | U015 | 88 |
| D2415852 | WIRE:CHARGE:C | U015 | 89 |
| D2415853 | WIRE:DEVELOPMENT:C | U015 | 90 |
| D2415854 | WIRE:CHARGE:M | U015 | 91 |
| D2415855 | WIRE:DEVELOPMENT:M | U015 | 92 |
| D2415856 | WIRE:CHARGE:Y | U015 | 93 |
| D2415857 | WIRE:DEVELOPMENT:Y | U015 | 94 |
| D2415875 | WIRE:CHARGE:CB | U015 | 95 |
| D2415876 | WIRE:DEVELOPMENT:CB:K | U015 | 96 |
| D2415877 | WIRE:DEVELOPMENT:CB:C | U015 | 97 |
| D2415878 | WIRE:DEVELOPMENT:CB:M | U015 | 98 |
| D2415879 | WIRE:DEVELOPMENT:CB:Y | U015 | 99 |
| D2416240 | LEVER:PRESSURE:TRANSFER ROLLER:FRONT:DIA19.5 | U009_S001 | 46 |
| D2416241 | LEVER:PRESSURE:TRANSFER ROLLER:REAR:DIA19.5 | U009_S001 | 47 |
| D2416244 | GROUND PLATE:SEPARATION | U009_S001 | 48 |
| D2416250 | GROUND WIRE:BRACKET:ENTRANCE SENSOR | U009_S001 | 49 |
| D2416256 | GROUND PLATE:GUIDE:TRANSPORT | U009_S001 | 50 |
| D2416258 | COVER:TRANSFER/SEPARATION UNIT | U009_S001 | 51 |
| D2416275 | SHEET:ENTRANCE:TRANSFER | U009_S001 | 52 |

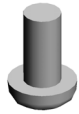
| Number | Part Name | Group | ID |
|----------|---|----------------|-----|
| D2416290 | LED:RED | U009_S001 | 53 |
| D2417913 | DUCT:OPTICAL WRITING UNIT | U001 | 65 |
| D2417941 | DUCT:EXHAUST:UPPER:A | U016 | 41 |
| D2417942 | DUCT:EXHAUST:UPPER:B | U016 | 42 |
| D2417943 | DUCT:EXHAUST:UPPER:C | U016 | 43 |
| D2417944 | DUCT:EXHAUST:UPPER:D | U016 | 44 |
| D2417983 | DUCT:DEVELOPMENT:REAR:A | U016 | 46 |
| D2417984 | DUCT:DEVELOPMENT:REAR:B | U016 | 47 |
| D2421267 | COVER:RIGHT:UPPER | U001 | 66 |
| D2423072 | GEAR:TRANSPORT SCREW:REAR | U006_S004_S003 | 33 |
| D2426432 | FEELER:COLLECTION BOTTLE | U010_S001 | 34 |
| D2442856 | GRIP:PAPER TRAY | U005_S004 | 129 |
| | | U005_S005 | 129 |
| D2445730 | PCB:DCSW:(SW4) | U015 | 100 |
| D2581317 | HOLDER:GLASS:CLEANER:ASS'Y | U017 | 16 |
| D2894655 | GRIP:DUPLEX UNIT | U013_S001 | 191 |
| D2951554 | MIKE:PVM-6018-C402G-7ZZ4 | U002_S001_S001 | 42 |
| D3BR2202 | (EU/AA/KOR/CHN):HEATER:PHOTOCONDUCTOR:ASS'Y | U018 | 3 |
| D3G36650 | (EU/AA/KOR/CHN):ELECTRICAL COMPONENTS SECTION:SCANNER:200V:ASS'Y | U018 | 4 |
| D3G36662 | (EU/AA/KOR/CHN):ELECTRICAL COMPONENTS SECTION:PAPER TRAY:200V:ASS'Y | U018 | 5 |
| D6842163 | SYNCHRONOUS BELT:40S2M122 | U012_S001 | 14 |
| D6932867 | SUPPORTING PLATE:COVER:FRONT:PAPER TRAY | U005_S005 | 130 |
| GA003929 | DECAL:OPERATE:4X27 | U011_S001_S001 | 81 |
| GA003930 | DECAL:LEVER:FRONT:FUSING | U011_S001_S001 | 82 |
| GA003931 | DECAL:LEVER:REAR:FUSING | U011_S001_S001 | 83 |
| GA003932 | DECAL:LEVER:RELEASE | U011_S001 | 84 |
| GA003933 | DECAL:OPERATE:4X10.5 | U008 | 42 |
| | | U011_S001 | 85 |
| | | U011_S001_S001 | 85 |
| | | U016 | 48 |
| GA003934 | DECAL:OPERATE:4X41 | U008_S001_S002 | 43 |
| GA003957 | DECAL:POSITIONING DISPLAY:FU | U011_S001_S001 | 86 |

Exclusive Parts

| Number | Part Name | Group | ID |
|----------|--|----------------|-----|
| | SING | | |
| GA003960 | DECAL:POSITIONING DISPLAY:6.5 X9 | U008 | 44 |
| GA003969 | DECAL:POSITIONING DISPLAY:FUSING UNIT:MAIN | U016 | 49 |
| GA003993 | DECAL:LEVER:FIX | U006_S001_S001 | 20 |
| | | U006_S002_S001 | 20 |
| | | U006_S003_S001 | 20 |
| | | U006_S004_S001 | 20 |
| | | U008_S001_S002 | 45 |
| GA003994 | DECAL:LEVER:RELEASE | U001 | 67 |
| | | U008_S001_S002 | 46 |
| GA003995 | DECAL:DESIGN SKETCH:BLACK | U006_S004 | 26 |
| GA003996 | DECAL:DESIGN SKETCH:CYAN | U006_S001 | 27 |
| GA003997 | DECAL:DESIGN SKETCH:MAGENT A | U006_S002 | 28 |
| GA003998 | DECAL:DESIGN SKETCH:YELLOW | U006_S003 | 29 |
| GA143003 | SCREW:MM5:2.5MM | U005 | 131 |
| | | U009_S001 | 54 |
| GW010007 | PHOTO REFLECTION SENSOR:EXIT:(S3/S9/S10/S12/S14/S16/S22/S24) | U005 | 132 |
| | | U005_S001 | 132 |
| | | U005_S002 | 132 |
| | | U012_S001 | 68 |
| | | U013_S001 | 192 |
| GW010009 | DENSITY SENSOR:(S48) | U008 | 47 |
| GW020024 | PHOTOINTERRUPTOR:LG2A24BL1:GF:(S34) | U010 | 35 |
| GW020026 | PHOTOINTERRUPTOR:LG2A24RL1G:(S42) | U003 | 66 |
| GW230008 | TONER END SENSOR:(S28/S29/S30/S31) | U007_S006 | 35 |
| | | U007_S007 | 35 |
| | | U007_S008 | 35 |
| | | U007_S009 | 35 |
| M0662743 | FRICTION PAD:MANUAL FEED TABLE:18X7.5 | U013_S001_S002 | 194 |
| M0662749 | OIL DAMPER:STRAIGHT:30N | U013_S001_S001 | 195 |
| M0AJ1092 | CAM:LOCK:PCU | U016 | 50 |
| M0AJ1093 | COMPRESSION SPRING:LOCK:PC | U016 | 51 |

| Number | Part Name | Group | ID |
|----------|---|----------------|-----|
| | U | | |
| M0AJ1098 | LEVER:LOCK:PCU:M-PAC | U016 | 52 |
| M0AJ1250 | COVER:LEFT | U001 | 68 |
| M0AJ1384 | BRACKET:INPUT:FUSING DRIVE UNIT | U014 | 57 |
| M0AJ4261 | FUSING COVER:UPPER:ASS'Y | U011_S001_S001 | 87 |
| M0AJ4271 | COVER:LEVER:FUSING:REAR | U011_S001 | 88 |
| M0AJ4272 | HOOK:FUSING:REAR | U011_S001 | 89 |
| M0AJ4273 | LEVER:FUSING | U011_S001 | 90 |
| M0AJ4278 | COVER:LEVER:FUSING:FRONT | U011_S001 | 91 |
| M0AJ4279 | HOOK:FUSING:FRONT | U011_S001 | 92 |
| M0AJ4497 | TRAY:EXIT | U012 | 69 |
| M0AJ4981 | DECAL:EXIT:GUIDE P:LOWER:MIDDLE | U012_S001 | 70 |
| M0AJ4982 | DECAL:EXIT:GUIDE P:LOWER:INNER BACK | U012_S001 | 71 |
| M0AJ6036 | CAM:ON-OFF:BK | U008_S001_S001 | 61 |
| M0AJ6037 | STOPPER:RIGHT:INTERMEDIATE TRANSFER | U008_S001_S001 | 62 |
| M0AJ6891 | (CHN):DECAL:INKJET:MANUAL FEED | U017 | 17 |
| M0AJ7936 | CAP:LOUVER:FILTER:LEFT | U016_S001 | 53 |
| M0AJ7991 | DUCT:DEVELOPMENT:EXHAUST:A | U016 | 54 |
| M0AJ7992 | DUCT:DEVELOPMENT:EXHAUST:B | U016 | 55 |
| M0AJ7993 | DUCT:DEVELOPMENT:EXHAUST:C | U016 | 56 |
| M0AJ7994 | SEAL:CAP:FILTER | U016 | 57 |
| M0AJ7995 | SEAL:DUCT:DEVELOPMENT:EXHAUST | U016 | 58 |
| M0BW6228 | TORSION SPRING:SEPARATION/TRANSPORT:28N | U009_S001 | 55 |
| M0BW6246 | LINK:TRANSFER/SEPARATION UNIT:MO | U009_S001 | 56 |
| M0BW7945 | DEODORIZE FILTER | U016 | 45 |
| M4445201 | HDD:320GB:AQUARIUS:(PCB12) | U015 | 101 |
| VSSG9002 | FLUOTRIBO MG GREASE : 100G | SPECIAL TOOLS | 9 |

Standard Parts



03130060N
SCREW - M3X6



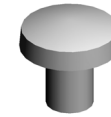
03140120N
SCREW - M4X12



03520030N
SCREW:M2X3



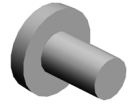
03530030N
SCREW:M3X3



03530040N
SCREW - M3X4



03530040P
SCREW - M3X4



03530050N
SCREW-M3X5



03530060N
BIND SCREW - M3X6



03603005N
SCREW - M3X5



03603006N
SCREW - M3X6



03603016N
SCREW - M3X16



04503008N
TAPPING SCREW - M3X8



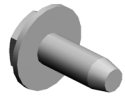
04503025N
TAPPING SCREW:3X25



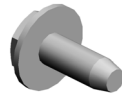
04503035N
TAPPING SCREW:3X35



04513006N
TAPPING SCREW - 3X6



04513008N
TAPPING SCREW - M3X8



04513008P
TAPPING SCREW - 3X8



04513025N
TAPPING SCREW:M3X25



04533008N
BINDING SELF TAPPING SCREW:3X8



04543006N
TAPPING SCREW:ROUND POINT:3X6



04543006Q
TAPPING SCREW - M3X6



04543008N
TAPPING SCREW:ROUND POINT:3X8



04543008Q
TAPPING SCREW:3X8



04543010Q
TAPPING SCREW:3X10



04543020Q
TAPPING SCREW::3X20



04583008N
HEXAGON HEAD TAPPING SCREW:3X8

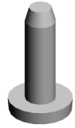


04583010N
HEXAGON HEAD TAPPING SCREW:3X10

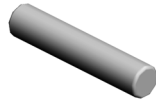


04593008N
BINDING HEAD TAPPING SCREW:3X8

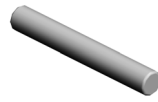
Standard Parts



04593010N
BINDING HEAD TAPPING SC
REW:3X10



06320100G
PIN - 2X10MM



06320140G
PARALLEL PIN



06330100G
PARALLEL PIN - 3X10



07200020G
RETAINING RING - M2



07200025E
RETAINING RING - M2.5



07200030E
RETAINING RING - M3



07200040E
RETAINING RING - M4



07200060E
RETAINING RING - M6



07250170E
RETAINING RING C - M17



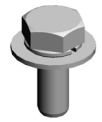
07403808
BALL BEARING - 8X16X5MM



08025299
TAPPING SCREW - M3X8



08025328
HEXAGON HEAD TAPPING S
CREW:3X40



08046123
HEXAGONAL BOLT:W/WASH
ER:M3X8



08046128
HEXAGONAL BOLT:DOUBLE
SCREW:M3X10



08050089
RETAINING RING - M4



08050100
RETAINING RING - M2.5



08050103
RETAINING RINGS-E:SILENC
ER:DIA3



08050104
RETAINING RINGS-E:SILENC
ER:DIA4



08050106
RETAINING RINGS-E:SILENC
ER:DIA6



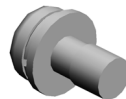
09543005N
SCREW:POLISHED ROUND/
SPRING:M3X5



09573006N
SCREW:SMALL ROUND/SPRI
NG:M3X6



09573010N
SCREW:SMALL ROUND/SPRI
NG:M3X10



09574008N
SCREW:SMALL ROUND/SPRI
NG:M4X8



11036252
CONNECTOR:16R-GRM-DH3
GB-RG-A



11036266
CONNECTOR:16RG022-3218



11050046
HARNESS BAND

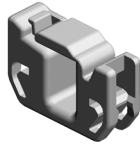


11050488
HARNESS CLAMP

Standard Parts



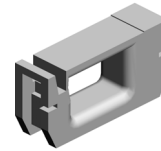
11050655
CLAMP:LWSR-1816S



11050692
CLAMP:LES-0503



11050713
CLAMP:LWSM-0306H GRAY



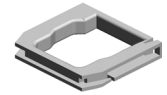
11050723
CLAMPS:WES-0507



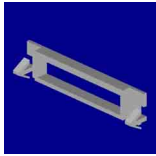
11050724
CLAMPS:WES-1210



11050725
CLAMPS:WES-1117



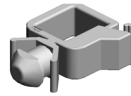
11050726
CLAMPS:WES-2217



11050752
SADDLE:EDS-3005LS-V0



11050758
CLAMP:LWSM-0306A



11050759
CLAMP:LWSM-0605A



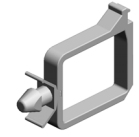
11050760
CLAMP:LWSM-0511A



11050762
CLAMP:LWS-0711A



11050764
CLAMP:LWS-1316A



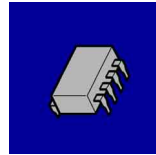
11050765
CLAMP:LWS-2218A



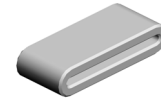
11500442
(CHN):POWER SUPPLY COD
E:250V:10A



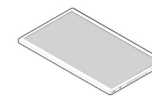
12042612
MICRO SWITCH:D3V-16506-3
C25:(SW2)



14078389
EEPROM:BR24T128-W



16072525
FERRITE CORE:K3 FF 35.00X
14.60X7.70X1.40



18310003
LCD:TFT:WSVGA-10.1:LED:M
V

PM Part List

| Number | Part Name | Num | Group | ID |
|----------|---|-----|-----------|----|
| D0BM2221 | PCDU:C:IMC3000-3500 | 1 | U006_S001 | 10 |
| D0BM2222 | PCDU:M:IMC3000-3500 | 1 | U006_S002 | 11 |
| D0BM2223 | PCDU:Y:IMC3000-3500 | 1 | U006_S003 | 12 |
| D0BM4022 | (EU/AA/KOR/CHN):FUSING U NIT:220-240V:IMC3000-3500 | 1 | U011_S001 | 44 |
| D0BN2240 | (EU/CHN/TWN/AA/KOR):PCD U:K:IMC3000-6000 | 1 | U006_S004 | 18 |
| D0BQ6009 | (EU/CHN/TWN/AA/KOR):TRA NSFER UNIT:INTERMEDIATE TRANSFER:IMC2000-6000 | 1 | U008_S001 | 56 |
| D0BQ6400 | COLLECTION BOTTLE:ASS'Y | 1 | U010_S001 | 12 |
| D0BQ7935 | CAP:FILTER:ASS'Y | 1 | U016_S001 | 19 |

Design Change List

| Number | Title | Set | Old Part | | New Part | | Index No. | | Q'ty | Interchg | | Reason | Cut-in S/N |
|-----------|-------------------|-----|----------|---|----------|---|-----------|-----|------|----------|-----|--------|------------|
| | | | P/N | Name | P/N | Name | Group | ID | | Indiv. | Set | | |
| 202307-01 | 2307 Modification | - | D1491199 | DRIVE UNIT:ON-OFF:TRANSFER:(M18) | D0F21199 | DRIVE UNIT:ON-OFF:TRANSFER:(M18) | U014 | 35 | 1 | O/O | | | |
| 202307-02 | 2307 Modification | - | | | D1491077 | PLATE:OPTICAL WRITING MD | U016 | 59 | 2 | | | | |
| 202307-03 | 2307 Modification | - | D1495701 | SAFETY SWITCH:ASS'Y | D0BQR041 | SAFETY SWITCH:ASS'Y | U015_S001 | 115 | 1 | O/O | | | |
| 202306-01 | 2306 Modification | - | D1754737 | PLAIN SHAFT BEARING:DUPLEX:EXIT | D0E34737 | PLAIN SHAFT BEARING:DUPLEX:EXIT | U013_S001 | 118 | 4 | O/O | | | |
| 202306-02 | 2306 Modification | - | D2021152 | BRACKET:DRIVE UNIT:PAPER FEED:ASS'Y | D0E31152 | BRACKET:DRIVE UNIT:PAPER FEED:ASS'Y | U014_S001 | 46 | 1 | O/O | | | |
| 202306-03 | 2306 Modification | - | D0BQ1196 | GEAR:FEED:NO.2:MECHANICAL ROLLER CLUTCH:U | D0E31196 | GEAR:FEED:NO.2:MECHANICAL ROLLER CLUTCH | U014_S001 | 64 | 1 | O/O | | | |
| 202306-04 | 2306 Modification | - | D0BQ1194 | PULLEY:FEED:NO.1:MECHANICAL ROLLER CLUTCH:U | D0E31194 | PULLEY:FEED:NO.1:MECHANICAL ROLLER CLUTCH | U014_S001 | 63 | 1 | O/O | | | |
| 202306-05 | 2306 Modification | - | D1492582 | GUIDE PLATE:REGISTRATION:FRONT RIGHT | D0E32582 | GUIDE PLATE:REGISTRATION:FRONT RIGHT | U009 | 19 | 1 | O/O | | | |
| 202305-01 | 2305 Modification | - | D1492835 | RACK:SIDE FENCE | D0E32835 | RACK:SIDE FENCE | U005_S004 | 78 | 2 | O/O | | | |
| | | | | | | | U005_S005 | 78 | 2 | | | | |
| 202303-01 | 2303 Modification | - | D2414485 | HARNESS:PAPER EXIT UNIT | D0E34485 | HARNESS:PAPER EXIT UNIT | D2 (1/2) | | 1 | O/O | | | |
| 202303-02 | 2303 Modification | - | D2415765 | CASE:POWER PACK:CB | D0E35765 | CASE:POWER PACK:CB | U015 | 78 | 1 | O/O | | | |

Design Change List

| Number | Title | Set | Old Part | | New Part | | Index No. | | Q'ty | Interchg | | Reason | Cut-in S/N |
|-----------|-------------------|-----|----------|---|----------|---|-----------|-----|------|----------|-----|--------|------------|
| | | | P/N | Name | P/N | Name | Group | ID | | Indiv. | Set | | |
| 202303-03 | 2303 Modification | - | D1494715 | DECAL:GRIP:Z | D0E34715 | DECAL:GRIP:Z | U013_S001 | 106 | 1 | O/O | | | |
| 202303-04 | 2303 Modification | - | | | D1493108 | SEAL:TONER SUPPLY:ENTRANCE | U006_S001 | 39 | 1 | | | | |
| | | | | | | | U006_S002 | 39 | 1 | | | | |
| | | | | | | | U006_S003 | 39 | 1 | | | | |
| | | | | | | | U006_S004 | 39 | 1 | | | | |
| 202303-05 | 2303 Modification | - | D1492990 | PLAIN SHAFT BEARING:DRIVE:REGISTRATION ROLLER | D0E32990 | PLAIN SHAFT BEARING:DRIVE:REGISTRATION ROLLER | U009 | 23 | 1 | O/O | | | |
| 202303-06 | 2303 Modification | - | D2021196 | HOUSING:DRIVE UNIT:PAPER FEED:ASS'Y | D0E31187 | HOUSING:DRIVE UNIT:PAPER FEED:ASS'Y | U014_S001 | 50 | 1 | O/O | | | |
| 202303-07 | 2303 Modification | - | | | D0E31721 | BRACKET:DC STEPPER MOTOR | U003 | 68 | 1 | | | | |
| 202303-08 | 2303 Modification | - | | | D0E34426 | BRACKET:DC STEPPER MOTOR: REVERSE | U012_S001 | 73 | 1 | | | | |
| 202303-09 | 2303 Modification | - | D2414994 | GUIDE PLATE:EXIT:LOWER | D0E34994 | GUIDE PLATE:EXIT:LOWER | U012_S001 | 65 | 1 | O/O | | | |
| 202303-10 | 2303 Modification | - | | | D0E32714 | GUIDE PLATE:SWIVEL:NO.1 | U005_S003 | 145 | 1 | | | | |
| 202303-11 | 2303 Modification | - | D1492721 | GUIDE PLATE:SWIVEL:NO.2 | D0E32721 | GUIDE PLATE:SWIVEL:NO.2 | U005 | 59 | 1 | O/O | | | |
| 202303-12 | 2303 Modification | - | D1495703 | BRACKET:MICRO SWITCH | | | U015_S001 | 59 | 1 | | | | |
| 202303-13 | 2303 Modification | - | | | D1495701 | SAFETY SWITCH | U015 | 115 | 1 | | | | |

Design Change List

| Number | Title | Set | Old Part | | New Part | | Index No. | | Q'ty | Interchg | | Reason | Cut-in S/N |
|-----------|-------------------|-----|----------|--|----------|--|----------------|-----|------|----------|-----|--------|------------|
| | | | P/N | Name | P/N | Name | Group | ID | | Indiv. | Set | | |
| | | - | | | | :ASS'Y | | | | | | | |
| 202302-01 | 2302 Modification | - | D2414673 | GUIDE PLATE:DRIVEN | D0E34673 | GUIDE PLATE:DRIVEN | U013_S001 | 166 | 1 | O/O | | | |
| 202302-02 | 2302 Modification | - | | | D1473470 | GUIDE:TONER SUPPLY | U006_S001_S003 | 38 | 1 | | | | |
| | | | | | | | U006_S002_S003 | 38 | 1 | | | | |
| | | | | | | | U006_S003_S003 | 38 | 1 | | | | |
| 202302-03 | 2302 Modification | - | AZ240377 | (EU/AA/KOR/CHN):DC POWER SUPPLY:(PCB8) | AZ240402 | (EU/AA/KOR/CHN):DC POWER SUPPLY:(PCB8) | U015 | 114 | 1 | O/O | | | |
| 202302-05 | 2302 Modification | - | D0BQ4404 | PAPER EXIT UNIT:ASS'Y | D0E34404 | PAPER EXIT UNIT:ASS'Y | U012_S001 | 24 | 1 | O/O | | | |
| 202302-06 | 2302 Modification | - | D2414921 | COVER:GUIDE PLATE:DRIVEN | D0DZ4921 | COVER:GUIDE PLATE:DRIVEN | U013_S001 | 188 | 1 | O/O | | | |
| 202302-07 | 2302 Modification | - | D2414936 | INNER COVER:EXIT | D0E34937 | INNER COVER:EXIT | U012 | 50 | 1 | O/O | | | |
| 202302-08 | 2302 Modification | - | | | D0E32832 | SIDE FENCE:REAR:NO.1 | U005_S004_S002 | 141 | 1 | | | | |
| 202302-09 | 2302 Modification | - | | | D0E32822 | SIDE FENCE:FRONT:NO.1 | U005_S004_S001 | 140 | 1 | | | | |
| 202302-10 | 2302 Modification | - | | | D0E32879 | SIDE FENCE:REAR:UNIVERSAL:NO.2 | U005_S005_S002 | 143 | 1 | | | | |
| 202302-11 | 2302 Modification | - | | | D0E32878 | SIDE FENCE:FRONT:UNIVERSAL:NO.2 | U005_S005_S001 | 142 | 1 | | | | |
| 202302-12 | 2302 Modification | - | D0BN2224 | (EU/CHN/TWN/AA/KOR):PCDU:K:I | D0BN2240 | (EU/CHN/TWN/AA/KOR):PCDU:K:I | U006_S004 | 18 | 1 | O/O | | | |

Design Change List

| Number | Title | Set | Old Part | | New Part | | Index No. | | Q'ty | Interchg | | Reason | Cut-in S/N |
|-----------|-------------------|-----|----------|---|----------|---|---------------------|-----|------|----------|-----|--------|------------|
| | | | P/N | Name | P/N | Name | Group | ID | | Indiv. | Set | | |
| | | - | | MC3000-6000 | | MC3000-6000 | | | | | | | |
| 202302-13 | 2302 Modification | - | | | D0E32945 | OIL DAMPER:30 MN | U005_S008 | 144 | 1 | | | | |
| | | | | | | | U005_S009 | 144 | 1 | | | | |
| 202302-14 | 2302 Modification | - | D1496177 | HOLDER:DISCHARGE USED TONER:ASS'Y | | | U008_S001_S004_S001 | 32 | 1 | | | | |
| 202302-15 | 2302 Modification | - | | | D0E36180 | TONER OUTLET UNIT:BELT CLEANING:ASS'Y | U008_S001_S004_S001 | 63 | 1 | | | | |
| 202301-01 | 2301 Modification | - | D2416097 | FLAT BELT-TRANSFER:INTERMEDIATE TRANSFER:TT | D0E36097 | FLAT BELT-TRANSFER:INTERMEDIATE TRANSFER:SR | U008_S001_S001 | 41 | 1 | O/O | | | |
| 202212-01 | 2212 Modification | - | D0BQ1299 | HEXAGON HEAD SCREW:PLAIN WASHER:M3X8 | 08046123 | HEXAGONAL BOLT:W/WASHER:M3X8 | U002 | 57 | 8 | O/O | | | |
| 202211-01 | 2211 Modification | - | 11050655 | CLAMP:LWSR-1816S | 11050765 | CLAMP:LWS-2218A | U014_S001 | 62 | 2 | O/O | | | |
| 202211-02 | 2211 Modification | - | GW020024 | PHOTOINTERRUPTOR:LG2A24BL1:GF:(S34) | GW020026 | PHOTOINTERRUPTOR:LG2A24RL1G:(S42) | U003 | 66 | 1 | O/O | | | |
| 202211-03 | 2211 Modification | - | | | D2411768 | SLIDE SHOE | U003_S001 | 67 | 2 | | | | |
| 202211-05 | 2211 Modification | - | D0BM5114 | BICU:ASS'Y:(PCB10) | D0BM5115 | (CHN):BICU:RAI:ASS'Y:(PCB10) | U015 | 47 | 1 | O/O | | | |
| 202210-01 | 2210 Modification | - | | | D0BM2496 | DRUM STAY:REAR | U006_S001_S002 | 37 | 1 | | | | |
| | | | | | | | U006_S002_S002 | 37 | 1 | | | | |
| | | | | | | | U006_S003_S002 | 37 | 1 | | | | |

Design Change List

| Number | Title | Set | Old Part | | New Part | | Index No. | | Q'ty | Interchg | | Reason | Cut-in S/N |
|-----------|-------------------|-----|----------|--|----------|--|----------------|-----|------|----------|-----|--------|------------|
| | | | P/N | Name | P/N | Name | Group | ID | | Indiv. | Set | | |
| 202210-02 | 2210 Modification | - | D0BL5736 | (IM C3000/C3000A/C3000G/GS3030c):PCB:CTL:SERVICE:(PCB11) | D0BL5828 | (IM C3000/C3000A/C3000G/GS3030c):PCB:CTL:SERVICE:(PCB11) | U015 | 113 | 1 | O/O | | | |
| 202209-01 | 2209 Modification | - | AE020261 | PRESSURE ROLLER:DIA32 | AE020282 | PRESSURE ROLLER:DIA32 | U011_S001 | 35 | 1 | O/O | | | |
| 202208-01 | 2208 Modification | - | D2391107 | DC SOLENOID:ASS'Y:(SOL4) | D0E11107 | DC SOLENOID:ASS'Y:(SOL4) | U014 | 51 | 1 | X/O | | | |
| 202207-01 | 2207 Modification | - | D0BL5737 | (IM C3500/C3500A/C3500G):PCB:CTL:SERVICE:(PCB11) | D0BL5829 | (IM C3500/C3500A/C3500G):PCB:CTL:SERVICE:(PCB11) | U015 | 112 | 1 | O/O | | | |
| 202206-01 | 2206 Modification | - | | | D2414354 | BRACKET:DRAWER:MAIN | U011 | 97 | 1 | | | | |
| 202206-02 | 2206 Modification | - | D0BM2213 | PCDU:Y:IMC3000-3500 | D0BM2223 | PCDU:Y:IMC3000-3500 | U006_S003 | 12 | 1 | O/O | | | |
| 202206-03 | 2206 Modification | - | D0BM2212 | PCDU:M:IMC3000-3500 | D0BM2222 | PCDU:M:IMC3000-3500 | U006_S002 | 11 | 1 | O/O | | | |
| 202206-04 | 2206 Modification | - | D0BM2211 | PCDU:C:IMC3000-3500 | D0BM2221 | PCDU:C:IMC3000-3500 | U006_S001 | 10 | 1 | O/O | | | |
| 202206-05 | 2206 Modification | - | | | M0AJ6037 | STOPPER:RIGHT:INTERMEDIATE TRANSFER | U008_S001_S001 | 62 | 1 | | | | |
| 202206-06 | 2206 Modification | - | | | M0AJ6036 | CAM:ON-OFF:BK | U008_S001_S001 | 61 | 2 | | | | |
| 202206-07 | 2206 Modification | - | D0BQ5635 | (CHN):PCB:ASS'Y:(PCB13) | D0BL5433 | (CHN):PCB:ASS'Y:(PCB13) | U002_S001_S002 | 56 | 1 | O/O | | | |
| 202206-08 | 2206 Modification | - | D0BQ4555 | DUPLEX UNIT:IMC3000-6000 | D0BQ4557 | DUPLEX UNIT:IMC3000-6000 | U013_S001 | 65 | 1 | O/O | | | |
| 202206-09 | 2206 Modification | - | | | D0BQ4631 | SIDE PLATE:REA | U013_S001 | 200 | 1 | | | | |

Design Change List

| Number | Title | Set | Old Part | | New Part | | Index No. | | Q'ty | Interchg | | Reason | Cut-in S/N |
|-----------|-------------------|-----|----------|--|----------|--|--------------------|-----|------|----------|-----|--------|------------|
| | | | P/N | Name | P/N | Name | Group | ID | | Indiv. | Set | | |
| | | - | | | | R:DUPLEX:PEEN | | | | | | | |
| 202206-10 | 2206 Modification | - | | | D2022791 | GUIDE:FEED | U005_S001 | 139 | 1 | | | | |
| | | | | | | | U005_S002 | 139 | 1 | | | | |
| 202205-01 | 2205 Modification | - | | | D0BQ6360 | LEVER:ON-OFF: BK:MIDDLE | U008_S001 _S001 | 60 | 1 | | | | |
| 202205-02 | 2205 Modification | - | | | D0BM1276 | INNER COVER:T ONER BOTTLE | U001 | 70 | 1 | | | | |
| 202203-01 | 2203 Modification | - | D0BQ3286 | TRANSPORT SC REW:NOZZLE:C MY:ASS'Y | D0BQ3284 | TRANSPORT SC REW:NOZZLE:C MY:ASS'Y | U007_S002 | 38 | 1 | O/O | | | |
| | | | D0BQ3286 | TRANSPORT SC REW:NOZZLE:C MY:ASS'Y | D0BQ3284 | TRANSPORT SC REW:NOZZLE:C MY:ASS'Y | U007_S003 | 38 | 1 | O/O | | | |
| | | | D0BQ3286 | TRANSPORT SC REW:NOZZLE:C MY:ASS'Y | D0BQ3284 | TRANSPORT SC REW:NOZZLE:C MY:ASS'Y | U007_S004 | 38 | 1 | O/O | | | |
| 202203-02 | 2203 Modification | - | D0BQ3285 | TRANSPORT SC REW:NOZZLE:BK :ASS'Y | D0BQ3283 | TRANSPORT SC REW:NOZZLE:BK :ASS'Y | U007_S001 | 37 | 1 | O/O | | | |
| 202203-03 | 2203 Modification | - | | | D1493071 | GEAR:DEVELOP MENT ROLLER | U006_S001 _S003 | 36 | 1 | | | | |
| | | | | | | | U006_S002 _S003 | 36 | 1 | | | | |
| | | | | | | | U006_S003 _S003 | 36 | 1 | | | | |
| | | | | | | | U006_S004 _S003 | 36 | 1 | | | | |
| 202203-04 | 2203 Modification | - | | | D1473469 | JOINT:IDLER:DE VELOPMENT | U006_S001 _S003 | 35 | 1 | | | | |
| | | | | | | | U006_S002 | 35 | 1 | | | | |

Design Change List

| Number | Title | Set | Old Part | | New Part | | Index No. | | Q'ty | Interchg | | Reason | Cut-in S/N |
|-----------|-------------------|-----|----------|----------------------------|----------|----------------------------------|-----------|----|------|----------|-----|--------|------------|
| | | | P/N | Name | P/N | Name | Group | ID | | Indiv. | Set | | |
| | | - | | | | | _S003 | | | | | | |
| | | | | | | | U006_S003 | 35 | 1 | | | | |
| | | | | | | | _S003 | | | | | | |
| 202203-05 | 2203 Modification | - | | | D1473468 | JOINT:DEVELOPMENT | U006_S001 | 34 | 1 | | | | |
| | | | | | | | _S003 | | | | | | |
| | | | | | | | U006_S002 | 34 | 1 | | | | |
| | | | | | | | _S003 | | | | | | |
| | | | | | | | U006_S003 | 34 | 1 | | | | |
| | | | | | | | _S003 | | | | | | |
| 202203-06 | 2203 Modification | - | D0BQ1524 | TOUCH PANEL:ASS'Y | D0BQ1527 | TOUCH PANEL:ASS'Y | U002_S001 | 55 | 1 | O/O | | | |
| 202203-07 | 2203 Modification | - | D2417945 | DEODORIZE FILTER | M0BW7945 | DEODORIZE FILTER | U016 | 45 | 1 | X/O | | | |
| 202202-01 | 2202 Modification | - | AA043980 | TIMING BELT:30S2M300 | D0BQ4648 | SYNCHRONOUS BELT:30S2M300 | U013_S001 | 21 | 1 | O/O | | | |
| 202201-01 | 2201 Modification | - | D0BQ2785 | PLAIN SHAFT BEARING:FEED | D0BQ2786 | PLAIN SHAFT BEARING:FEED | U005_S001 | 33 | 1 | O/O | | | |
| | | | D0BQ2785 | PLAIN SHAFT BEARING:FEED | D0BQ2786 | PLAIN SHAFT BEARING:FEED | U005_S002 | 33 | 1 | O/O | | | |
| 202201-02 | 2201 Modification | - | | | D1496039 | COMPRESSION SPRING:LEVER | U008_S001 | 57 | 1 | | | | |
| 202201-03 | 2201 Modification | - | AA082173 | PLAIN SHAFT BEARING:6X10X6 | AA082195 | PLAIN SHAFT BEARING:DIA6XDIA10X6 | U005_S001 | 15 | 1 | O/O | | | |
| | | | AA082173 | PLAIN SHAFT BEARING:6X10X6 | AA082195 | PLAIN SHAFT BEARING:DIA6XDIA10X6 | U005_S002 | 15 | 1 | O/O | | | |
| | | | AA082173 | PLAIN SHAFT BEARING:6X10X6 | AA082195 | PLAIN SHAFT BEARING:DIA6XDIA10X6 | U012_S001 | 17 | 2 | O/O | | | |

Design Change List

| Number | Title | Set | Old Part | | New Part | | Index No. | | Q'ty | Interchg | | Reason | Cut-in S/N |
|-----------|-------------------|-----|----------|---|----------|---|----------------|-----|------|----------|-----|--------|------------|
| | | | P/N | Name | P/N | Name | Group | ID | | Indiv. | Set | | |
| | | - | AA082173 | PLAIN SHAFT BEARING:6X10X6 | AA082195 | PLAIN SHAFT BEARING:DIA6XDIA10X6 | U013_S001 | 24 | 9 | O/O | | | |
| | | | | | | | U013_S001_S001 | 24 | 1 | | | | |
| 202201-04 | 2201 Modification | - | | | D0BQ6050 | TRANSFER ROLLER:BK:ASS'Y | U008_S001_S001 | 58 | 1 | | | | |
| 202201-05 | 2201 Modification | - | | | D0BQ6060 | TRANSFER ROLLER:FC:ASS'Y | U008_S001_S001 | 59 | 3 | | | | |
| 202112-01 | 2112 Modification | - | D1494646 | SYNCHRONOUS BELT:30S2M262 | D0BQ4646 | SYNCHRONOUS BELT:30S2M262 | U013_S001 | 93 | 1 | O/O | | | |
| 202112-02 | 2112 Modification | - | D1494645 | SYNCHRONOUS BELT:30S2M118 | D0BQ4645 | SYNCHRONOUS BELT:30S2M118 | U013_S001 | 92 | 1 | O/O | | | |
| 202111-01 | 2111 Modification | - | D0BQ6007 | (EU/CHN/TWN/A A/KOR):TRANSFER UNIT:INTERMEDIATE TRANSFER:IMC2000-6000 | D0BQ6009 | (EU/CHN/TWN/A A/KOR):TRANSFER UNIT:INTERMEDIATE TRANSFER:IMC2000-6000 | U008_S001 | 56 | 1 | O/O | | | |
| 202111-02 | 2111 Modification | - | D0BN1519 | (CHN):OPERATION SUB-UNIT:COMMON:ASS'Y | D0BN1526 | (CHN):OPERATION SUB-UNIT:COMMON:ASS'Y | U002_S001 | 54 | 1 | O/O | | | |
| 202110-02 | 2110 Modification | - | D2412759 | TRANSPORT ROLLER:VERTICAL TRANSPORT:ASS'Y | D2412762 | TRANSPORT ROLLER:VERTICAL TRANSPORT:ASS'Y | U005_S001 | 117 | 1 | O/O | | | |
| | | | D2412759 | TRANSPORT ROLLER:VERTICAL TRANSPORT:ASS'Y | D2412762 | TRANSPORT ROLLER:VERTICAL TRANSPORT:ASS'Y | U005_S002 | 117 | 1 | O/O | | | |
| 202110-03 | 2110 Modification | - | D0BQ6001 | TRANSFER UNIT:INTERMEDIATE | D0BQ6004 | TRANSFER UNIT:INTERMEDIATE | U008_S001_S001 | 15 | 1 | O/O | | | |

Design Change List

| Number | Title | Set | Old Part | | New Part | | Index No. | | Q'ty | Interchg | | Reason | Cut-in S/N |
|-----------|-------------------|-----|----------|---|----------|---|----------------|-----|------|----------|-----|--------|------------|
| | | | P/N | Name | P/N | Name | Group | ID | | Indiv. | Set | | |
| | | - | | TRANSFER:ASS'Y | | TRANSFER:ASS'Y | | | | | | | |
| 202109-02 | 2109 Modification | - | D0BQ1509 | (CHN):OPERATION SUB-UNIT:COMMON:ASS'Y | D0BN1519 | (CHN):OPERATION SUB-UNIT:COMMON:ASS'Y | U002 | 52 | 1 | O/O | | | |
| 202109-03 | 2109 Modification | - | AA082170 | PLAIN SHAFT BEARING:DIA4XDIA8X5:EG-1 | AA082193 | PLAIN SHAFT BEARING:DIA4XDIA8X5:EG-1-J | U012_S001 | 16 | 4 | O/O | | | |
| | | | | | | | U013_S001 | 22 | 2 | | | | |
| | | | | | | | U013_S001_S001 | 22 | 1 | | | | |
| 202109-05 | 2109 Modification | - | AA082174 | PLAIN SHAFT BEARING:6X10X9 | AA082196 | BUSHING:DIA6XDIA10X9 | U005_S001 | 16 | 1 | O/O | | | |
| | | | AA082174 | PLAIN SHAFT BEARING:6X10X9 | AA082196 | BUSHING:DIA6XDIA10X9 | U005_S002 | 16 | 1 | O/O | | | |
| 202108-01 | 2108 Modification | - | | | D0BQ6038 | LEVER:ON-OFF: BK | U008_S001 | 54 | 1 | | | | |
| 202107-01 | 2107 Modification | - | D0BQ6005 | (EU/CHN/TWN/A A/KOR):TRANSFER UNIT:INTERMEDIATE TRANSFER:IMC2000-6000 | D0BQ6007 | (EU/CHN/TWN/A A/KOR):TRANSFER UNIT:INTERMEDIATE TRANSFER:IMC2000-6000 | U008 | 16 | 1 | O/O | | | |
| 202107-02 | 2107 Modification | - | | | D0BQ7935 | CAP:FILTER:ASS'Y | U016_S001 | 19 | 1 | | | | |
| 202106-01 | 2106 Modification | - | AB010156 | GEAR:SEPARATE:DRIVE | D0BQ2655 | GEAR:SEPARATE:DRIVE | U013_S001_S001 | 32 | 1 | O/O | | | |
| 202106-02 | 2106 Modification | - | D2024680 | BRACKET:DRIVE N ROLLER:PRES SURE | D0BQ4680 | BRACKET:DRIVE N ROLLER:PRES SURE | U013_S001 | 134 | 1 | X/O | | | |
| 202106-03 | 2106 Modification | - | | | D0BQ1297 | SEAL:SCANNER:UPPER:REAR | U001_S001 | 69 | 1 | | | | |

Design Change List

| Number | Title | Set | Old Part | | New Part | | Index No. | | Q'ty | Interchg | | Reason | Cut-in S/N |
|-----------|-------------------|-----|----------|--|----------|--|----------------|-----|------|----------|-----|--|------------|
| | | | P/N | Name | P/N | Name | Group | ID | | Indiv. | Set | | |
| 202106-04 | 2106 Modification | - | | | D0BQ6019 | COVER:INTERMEDIATE TRANSFER:FRONT:ASS'Y | U008_S001_S002 | 53 | 1 | | | | |
| 202105-01 | 2105 Modification | - | D2411261 | COVER:REAR | D2411264 | COVER:REAR:SUB-ASS'Y | U001 | 52 | 1 | O/O | | TAPPING SCREW:3X8(04513008 N) is included in a new part and use it after replacing the old part. | |
| 202105-02 | 2105 Modification | - | D1496112 | ROLLER:FLAT BELT-TRANSFER:FACE FRONT:ASS'Y | D0BQ6125 | ROLLER:FLAT BELT-TRANSFER:FACE FRONT:ASS'Y | U008_S001_S001 | 28 | 1 | O/O | | | |
| 202105-03 | 2105 Modification | - | D1492688 | TENSION SPRING:WIRE | D0BQ2688 | TENSION SPRING:WIRE | U013_S001_S002 | 86 | 1 | O/O | | | |
| 202105-04 | 2105 Modification | - | D2414757 | SPACER:DC MOTOR:DUPLEX | D0BQ4757 | SPACER:DC MOTOR:DUPLEX:2 | U013 | 182 | 1 | O/O | | | |
| 202105-05 | 2105 Modification | - | | | D2414648 | BRACKET:SWIVEL:PEEN | U013_S001 | 199 | 1 | | | | |
| 202105-06 | 2105 Modification | - | | | D1492571 | GUIDE:POSITIONING:REGISTRATION:FRONT | U005 | 137 | 1 | | | | |
| 202105-07 | 2105 Modification | - | | | D1492572 | GUIDE:POSITIONING:REGISTRATION:REAR | U005 | 138 | 1 | | | | |
| 202105-08 | 2105 Modification | - | | | B2231163 | JOINT:ON-OFF:INTERMEDIATE TRANSFER | U014_S004 | 60 | 1 | | | | |
| | | | | | B2231163 | JOINT:ON-OFF:INTERMEDIATE T | U014_S004 | 60 | 1 | | | | |

Design Change List

| Number | Title | Set | Old Part | | New Part | | Index No. | | Q'ty | Interchg | | Reason | Cut-in S/N |
|-----------|-------------------|-----|----------|--|----------|--|------------------------|----------|--------|----------|-----|--------|------------|
| | | | P/N | Name | P/N | Name | Group | ID | | Indiv. | Set | | |
| | | - | | | | RANSFER | | | | | | | |
| 202105-09 | 2105 Modification | - | | | D2423072 | GEAR:TRANSPORT SCREW:REAR | U006_S004_S003 | 33 | 1 | | | | |
| 202105-10 | 2105 Modification | - | D0BQ1545 | COVER:REAR | D0BQ1544 | COVER:REAR | U002_S001 | 20 | 1 | O/O | | | |
| 202103-01 | 2103 Modification | - | D0BQ1501 | (CHN):OPERATION SUB-UNIT:COMMON:ASS'Y | D0BQ1509 | (CHN):OPERATION SUB-UNIT:COMMON:ASS'Y | U002 | 14 | 1 | X/O | | | |
| 202101-02 | 2101 Modification | - | D2415737 | BRACKET:MAIN SWITCH | D2415738 | BRACKET:MAIN SWITCH | U015 | 76 | 1 | X/O | | | |
| 202011-02 | 2011 Modification | - | D0BQ3287 | TRANSPORT SCREW:NOZZLE:BK:ASS'Y | D0BQ3285 | TRANSPORT SCREW:NOZZLE:BK:ASS'Y | U007 | 19 | 1 | O/O | | | |
| 202011-03 | 2011 Modification | - | D0BQ3240 | TONER HOPPER:TONER SUPPLY:BK:ASS'Y | D0BQ3242 | TONER HOPPER:TONER SUPPLY:BK:ASS'Y | U007_S006 | 16 | 1 | O/O | | | |
| 202011-04 | 2011 Modification | - | D0BQ3270 | TONER HOPPER:TONER SUPPLY:C:ASS'Y | D0BQ3272 | TONER HOPPER:TONER SUPPLY:C:ASS'Y | U007_S007 | 17 | 1 | O/O | | | |
| 202011-05 | 2011 Modification | - | D0BQ3280 | TONER HOPPER:TONER SUPPLY:M:ASS'Y | D0BQ3282 | TONER HOPPER:TONER SUPPLY:M:ASS'Y | U007_S008 | 18 | 1 | O/O | | | |
| 202011-06 | 2011 Modification | - | D0BQ3310 | TONER HOPPER:TONER SUPPLY:Y:ASS'Y | D0BQ3312 | TONER HOPPER:TONER SUPPLY:Y:ASS'Y | U007_S009 | 21 | 1 | O/O | | | |
| 202011-07 | 2011 Modification | - | D1492773 | PULLEY:PICKUP:MECHANICAL ROLLER CLUTCH | D0BQ2773 | PULLEY:PICKUP:MECHANICAL ROLLER CLUTCH:U | U005_S001 U005_S002 | 62 62 | 1 1 | X/O | | | |
| 202010-01 | 2010 Modification | - | D0BQ5622 | (CHN):PCB:ASS' | D0BQ5635 | (CHN):PCB:ASS' | U002_S001 | 40 | 1 | X/O | | | |

Design Change List

| Number | Title | Set | Old Part | | New Part | | Index No. | | Q'ty | Interchg | | Reason | Cut-in S/N |
|-----------|-------------------|-----|----------|--|----------|--|-----------|-----|------|----------|-----|--------|------------|
| | | | P/N | Name | P/N | Name | Group | ID | | Indiv. | Set | | |
| | | - | | Y:(PCB13) | | Y:(PCB13) | | | | | | | |
| 202010-02 | 2010 Modification | - | D0BQ3288 | TRANSPORT SC REW:NOZZLE:C MY:ASS'Y | D0BQ3286 | TRANSPORT SC REW:NOZZLE:C MY:ASS'Y | U007 | 20 | 1 | O/O | | | |
| | | | D0BQ3288 | TRANSPORT SC REW:NOZZLE:C MY:ASS'Y | D0BQ3286 | TRANSPORT SC REW:NOZZLE:C MY:ASS'Y | U007 | 20 | 1 | O/O | | | |
| | | | D0BQ3288 | TRANSPORT SC REW:NOZZLE:C MY:ASS'Y | D0BQ3286 | TRANSPORT SC REW:NOZZLE:C MY:ASS'Y | U007 | 20 | 1 | O/O | | | |
| 202010-03 | 2010 Modification | - | D1491194 | PULLEY:PAPER FEED:FEED:NO.1 :MECHANICAL R OLLER CLUTCH | D0BQ1194 | PULLEY:FEED:N O.1:MECHANICA L ROLLER CLUT CH:U | U014_S001 | 31 | 1 | O/O | | | |
| 202009-01 | 2009 Modification | - | D1491196 | GEAR:PAPER FE ED:FEED:NO.2:M ECHANICAL ROL LER CLUTCH | D0BQ1196 | GEAR:FEED:NO. 2:MECHANICAL ROLLER CLUTC H:U | U014_S001 | 33 | 1 | O/O | | | |
| 202009-03 | 2009 Modification | - | D1477937 | FILTER:PREVEN TFENCE:10 | D0BQ7937 | FILTER:PREVEN TFENCE:13.5 | U016_S001 | 21 | 1 | O/O | | | |
| 202008-01 | 2008 Modification | - | D0BQ1516 | TOUCH PANEL:A SS'Y | D0BQ1524 | TOUCH PANEL:A SS'Y | U002_S001 | 47 | 1 | O/O | | | |
| 202008-02 | 2008 Modification | - | D0BL5627 | (IM C3000/C3000 A/C3000G/GS303 0c):PCB:CTL:SER VICE:(PCB11) | D0BL5736 | (IM C3000/C3000 A/C3000G/GS303 0c):PCB:CTL:SER VICE:(PCB11) | U015 | 110 | 1 | X/O | | | |
| 202008-03 | 2008 Modification | - | D0BL5628 | (IM C3500/C3500 A/C3500G):PCB: CTL:SERVICE:(P CB11) | D0BL5737 | (IM C3500/C3500 A/C3500G):PCB: CTL:SERVICE:(P CB11) | U015 | 111 | 1 | X/O | | | |

Design Change List

| Number | Title | Set | Old Part | | New Part | | Index No. | | Q'ty | Interchg | | Reason | Cut-in S/N |
|-----------|-------------------|-----|----------|---|----------|---|--------------------|-----|------|----------|-----|--------|------------|
| | | | P/N | Name | P/N | Name | Group | ID | | Indiv. | Set | | |
| 202008-04 | 2008 Modification | - | AA043339 | TIMING BELT:PA PER EXIT:40S2M 122 | D6842163 | SYNCHRONOUS BELT:40S2M122 | U012_S001 | 14 | 1 | O/O | | | |
| 202007-01 | 2007 Modification | - | | | D0BQ1420 | PCB:W-LAN:TYP E1NX | U002_S001 _S002 | 48 | 1 | | | | |
| 202005-01 | 2005 Modification | - | D0BQ5372 | HARNESS:FFC:I OB:BICU | D0BQ5380 | HARNESS:FFC:I OB:BICU | C9(1/2) | | 1 | X/O | | | |
| 202001-01 | 2001 Modification | - | | | 11036266 | CONNECTOR:16 RG022-3218 | U015 | 109 | 1 | | | | |
| 202001-02 | 2001 Modification | - | GW020024 | PHOTOINTERRU PTOR:LG2A24BL 1:GF:(S34) | AW020198 | PHOTOINTERRU PTOR:LG2A14NL 1:(S5) | U013_S001 | 198 | 1 | O/O | | | |
| 202001-03 | 2001 Modification | - | D1501095 | BRACKET:POSIT IONING:FUSING UNIT:M3 | | | U016 | 40 | 1 | | | | |
| | | | D1501095 | BRACKET:POSIT IONING:FUSING UNIT:M3 | | | U016 | 40 | 1 | | | | |
| 201912-01 | 1912 Modification | - | | | D0BQ1375 | GEAR:PRESSUR E RELEASE:NO.1 :MECHANICAL R OLLER CLUTCH: U | U014_S002 | 59 | 1 | | | | |
| 201911-01 | 1911 Modification | - | D0BQ2051 | CHARGE UNIT:A SS'Y | D0BQ2071 | CHARGE UNIT:A SS'Y | U006_S001 _S002 | 25 | 1 | O/O | | | |
| | | | D0BQ2051 | CHARGE UNIT:A SS'Y | D0BQ2071 | CHARGE UNIT:A SS'Y | U006_S002 _S002 | 25 | 1 | O/O | | | |
| | | | D0BQ2051 | CHARGE UNIT:A SS'Y | D0BQ2071 | CHARGE UNIT:A SS'Y | U006_S003 _S002 | 25 | 1 | O/O | | | |
| | | | D0BQ2051 | CHARGE UNIT:A SS'Y | D0BQ2071 | CHARGE UNIT:A SS'Y | U006_S004 | 25 | 1 | O/O | | | |

Design Change List

| Number | Title | Set | Old Part | | New Part | | Index No. | | Q'ty | Interchg | | Reason | Cut-in S/N |
|-----------|-------------------|-----|----------|--|----------|--|--------------------|-----|------|----------|-----|--------|------------|
| | | | P/N | Name | P/N | Name | Group | ID | | Indiv. | Set | | |
| | | - | | SS'Y | | SS'Y | _S002 | | | | | | |
| 201911-02 | 1911 Modification | - | | | D2415797 | FRAME:RACK:RI GHT:PEEN | U015 | 108 | 1 | | | | |
| 201911-03 | 1911 Modification | - | | | D1496133 | VIBRATING PLAT E:FRONT:PEEN | U008_S001 _S001 | 51 | 1 | | | | |
| 201911-04 | 1911 Modification | - | | | D1496136 | VIBRATING PLAT E:REAR:PEEN | U008_S001 _S001 | 52 | 1 | | | | |
| 201911-05 | 1911 Modification | - | D0BL5660 | (IM C3000/C3000 A/C3000G/GS303 0c):PCB:CTL:SER VICE:(PCB11) | D0BL5627 | (IM C3000/C3000 A/C3000G/GS303 0c):PCB:CTL:SER VICE:(PCB11) | U015 | 107 | 1 | X/O | | | |
| 201911-06 | 1911 Modification | - | D0BL5611 | (IM C3500/C3500 A/C3500G):PCB: CTL:SERVICE:(P CB11) | D0BL5628 | (IM C3500/C3500 A/C3500G):PCB: CTL:SERVICE:(P CB11) | U015 | 44 | 1 | X/O | | | |
| 201911-08 | 1911 Modification | - | | | D0BQ1516 | TOUCH PANEL:A SS'Y | U002_S001 | 47 | 1 | | | | |
| 201911-09 | 1911 Modification | - | AZ240325 | (EU/AA/KOR/CHN):DC POWER SU PPLY:(PCB8) | AZ240377 | (EU/AA/KOR/CHN):DC POWER SU PPLY:(PCB8) | U015 | 37 | 1 | X/O | | | |
| 201910-01 | 1910 Modification | - | D0BL5610 | (IM C3000/C3000 A/C3000G/GS303 0c):PCB:CTL:SER VICE:(PCB11) | D0BL5660 | (IM C3000/C3000 A/C3000G/GS303 0c):PCB:CTL:SER VICE:(PCB11) | U015 | 43 | 1 | O/O | | | |
| 201909-01 | 1909 Modification | - | AW020207 | PHOTOINTERRU PTOR:FLAT:PICH 2MM:M4:(S43) | AW020249 | PHOTOINTERRU PTOR:FLAT:PICH 2MM:M4:(S43) | U003 | 24 | 1 | O/O | | | |
| 201908-01 | 1908 Modification | - | | | D0BQ1599 | COVER:BRACKE T:OPERATION S UB-UNIT:UPPER | U002 | 46 | 1 | | | | |

Design Change List

| Number | Title | Set | Old Part | | New Part | | Index No. | | Q'ty | Interchg | | Reason | Cut-in S/N |
|-----------|-------------------|-----|----------|---------------------------------------|----------|---------------------------------|---------------------|-----|------|----------|-----|--------|------------|
| | | | P/N | Name | P/N | Name | Group | ID | | Indiv. | Set | | |
| 201907-01 | 1907 Modification | - | | | D0BQ2389 | COVER:PCU:FRONT:SUB-ASS'Y | U006_S001 | 31 | 1 | | | | |
| | | | | | | | U006_S002 | 31 | 1 | | | | |
| | | | | | | | U006_S003 | 31 | 1 | | | | |
| | | | | | | | U006_S004 | 31 | 1 | | | | |
| 201907-02 | 1907 Modification | - | D2411678 | SHEET:FFC:LOWER | D0BQ1678 | SHEET:FFC:LOWER | U003 | 35 | 1 | O/O | | | |
| 201907-03 | 1907 Modification | - | | | D0BQ2379 | DUCT:GEAR:DEVELOPMENT:SUB-ASS'Y | U006_S004 | 30 | 1 | | | | |
| 201907-04 | 1907 Modification | - | D2951509 | CAP:HINGE | D0BQ1566 | CAP:HINGE | U002 | 41 | 1 | X/O | | | |
| 201906-01 | 1906 Modification | - | D0BQ5261 | CABLE:OPERATION SUB-UNIT:USB3.0:1295L | | | C6 (2/2) | | 0 | | | | |
| 201906-02 | 1906 Modification | - | D0BQ5262 | HARNESS:SCR:ASS'Y | | | C6 (2/2) | | 0 | | | | |
| 201905-01 | 1905 Modification | - | | | D0BQ2966 | STAY:END FENCE:ASS'Y | U005_S005_S001_S001 | 136 | 1 | | | | |
| 201905-02 | 1905 Modification | - | | | GA003995 | DECAL:DESIGN SKETCH:BLACK | U006_S004 | 26 | 1 | | | | |
| 201905-03 | 1905 Modification | - | | | GA003996 | DECAL:DESIGN SKETCH:CYAN | U006_S001 | 27 | 1 | | | | |
| 201905-04 | 1905 Modification | - | | | GA003997 | DECAL:DESIGN SKETCH:MAGENTA | U006_S002 | 28 | 1 | | | | |
| 201905-05 | 1905 Modification | - | | | GA003998 | DECAL:DESIGN | U006_S003 | 29 | 1 | | | | |

Design Change List

| Number | Title | Set | Old Part | | New Part | | Index No. | | Q'ty | Interchg | | Reason | Cut-in S/N |
|-----------|-------------------|-----|----------|---------------------------------------|----------|---|----------------|-----|------|----------|-----|--------|------------|
| | | | P/N | Name | P/N | Name | Group | ID | | Indiv. | Set | | |
| | | - | | | | SKETCH:YELLOW | | | | | | | |
| 201905-06 | 1905 Modification | - | | | D0BQ2051 | CHARGE UNIT:ASS'Y | U006_S001 | 25 | 1 | | | | |
| | | | | | | | U006_S002 | 25 | 1 | | | | |
| | | | | | | | U006_S003 | 25 | 1 | | | | |
| | | | | | | | U006_S004 | 25 | 1 | | | | |
| 201905-07 | 1905 Modification | - | | | D0BM3492 | COVER:PCU:REAR:ASS'Y | U006_S001 | 24 | 1 | | | | |
| | | | | | | | U006_S002 | 24 | 1 | | | | |
| | | | | | | | U006_S003 | 24 | 1 | | | | |
| 201904-01 | 1904 Modification | - | D0BM5172 | PCB:TCB:(PCB3/PCB4/PCB5/PCB6) | D0BQ5172 | PCB:TCB:(PCB3/PCB4/PCB5/PCB6) | U007 | 36 | 1 | O/O | | | |
| | | | D0BM5172 | PCB:TCB:(PCB3/PCB4/PCB5/PCB6) | D0BQ5172 | PCB:TCB:(PCB3/PCB4/PCB5/PCB6) | U007 | 36 | 1 | O/O | | | |
| | | | D0BM5172 | PCB:TCB:(PCB3/PCB4/PCB5/PCB6) | D0BQ5172 | PCB:TCB:(PCB3/PCB4/PCB5/PCB6) | U007 | 36 | 1 | O/O | | | |
| | | | D0BM5172 | PCB:TCB:(PCB3/PCB4/PCB5/PCB6) | D0BQ5172 | PCB:TCB:(PCB3/PCB4/PCB5/PCB6) | U007 | 36 | 1 | O/O | | | |
| 201904-02 | 1904 Modification | - | M0AJ6175 | TONER OUTLET UNIT:BELT CLEANING:ASS'Y | D0BQ6130 | TONER OUTLET UNIT:BELT CLEANING:SERVICE PARTS | U008_S001_S004 | 50 | 1 | X/O | | | |
| 201904-03 | 1904 Modification | - | | | 11036252 | CONNECTOR:16 | U015 | 106 | 1 | | | | |

Design Change List

| Number | Title | Set | Old Part | | New Part | | Index No. | | Q'ty | Interchg | | Reason | Cut-in S/N |
|-----------|-------------------|-----|----------|--------------------------|----------|--|--------------------|-----|------|----------|-----|--------------------------------------|------------|
| | | | P/N | Name | P/N | Name | Group | ID | | Indiv. | Set | | |
| | | - | | | | R-GRM-DH3GB-R G-A | | | | | | | |
| 201903-01 | 1903 Modification | - | | | AW020234 | PHOTOINTERRU PTOR:GP1A173L CS5F:(S2/S6/S7/ S11/S13/S15/S23/ S25/S32) | U005_S001 | 135 | 2 | O/O | | Old part number A W020224,Int O/O | |
| | | | | | | | U005_S002 | 135 | 2 | | | | |
| | | | | | | | U008 | 49 | 1 | | | | |
| | | | | | | | U009 | 57 | 1 | | | | |
| | | | | | | | U012_S001 | 72 | 1 | | | | |
| | | | | | | | U013_S001 _S001 | 196 | 1 | | | | |
| | | | | | | | U013_S001 _S002 | 196 | 1 | | | | |
| 201903-02 | 1903 Modification | - | | | D0894465 | SYNCHRONOUS BELT:S2M:136 | U014_S002 | 58 | 1 | | | | |
| 201903-03 | 1903 Modification | - | | | D2412896 | SHEET:HEAT SIN K:HEATER | U018_S001 | 11 | 1 | | | | |
| 201903-04 | 1903 Modification | - | | | D0BQ2600 | MANUAL FEED U NIT:ASS'Y | U013_S001 _S001 | 197 | 1 | | | | |
| 201902-01 | 1902 Modification | - | | | D1493073 | JOINT:DEVELOP MENT | U006_S004 _S003 | 21 | 1 | | | | |
| 201902-02 | 1902 Modification | - | | | D1493074 | GEAR:IDLER:TR ANSPORT SCRE W | U006_S004 _S003 | 22 | 1 | | | | |
| 201902-03 | 1902 Modification | - | | | D1493075 | GEAR:IDLER:DE VELOPMENT RO LLER | U006_S004 _S003 | 23 | 1 | | | | |
| 201902-04 | 1902 Modification | - | D0BQ7935 | CAP:FILTER:ASS' Y | | | | | | | | | |
| 201902-05 | 1902 Modification | - | D1482942 | TENSION SPRIN G:LEVER | | | U005_S008 | 55 | 1 | | | | |
| | | | D1482942 | TENSION SPRIN | | | U005_S009 | 55 | 1 | | | | |

Design Change List

| Number | Title | Set | Old Part | | New Part | | Index No. | | Q'ty | Interchg | | Reason | Cut-in S/N |
|-----------|-------------------|-----|----------|--|----------|----------------------------------|-----------|-----|------|----------|-----|--------|------------|
| | | | P/N | Name | P/N | Name | Group | ID | | Indiv. | Set | | |
| | | - | | G:LEVER | | | | | | | | | |
| 201902-06 | 1902 Modification | - | D1492961 | LEVER:STRETC H:PEEN | | | U005_S008 | 101 | 1 | | | | |
| | | | D1492961 | LEVER:STRETC H:PEEN | | | U005_S009 | 101 | 1 | | | | |
| 201902-07 | 1902 Modification | - | D1492964 | LEVER:LOCK:PA WL | | | U005_S008 | 102 | 1 | | | | |
| | | | D1492964 | LEVER:LOCK:PA WL | | | U005_S009 | 102 | 1 | | | | |
| 201902-08 | 1902 Modification | - | D1492965 | LEVER:STRETC H:COIL SPRING | | | U005_S008 | 103 | 1 | | | | |
| | | | D1492965 | LEVER:STRETC H:COIL SPRING | | | U005_S009 | 103 | 1 | | | | |
| 201902-09 | 1902 Modification | - | D2412943 | TENSION SPRIN G:LEVER:AUXILI ARY | | | U005_S008 | 128 | 1 | | | | |
| | | | D2412943 | TENSION SPRIN G:LEVER:AUXILI ARY | | | U005_S009 | 128 | 1 | | | | |
| 201902-10 | 1902 Modification | - | | | D0BQ2850 | TRAY BOTTOM P LATE:ASS'Y | U005_S004 | 133 | 1 | | | | |
| 201902-11 | 1902 Modification | - | | | D0BQ2873 | TRAY BOTTOM P LATE:NO.2:ASS'Y | U005_S005 | 134 | 1 | | | | |

