

**Pro C9100/C9110 Imaging Section
(M205/M238)
Parts Catalog**

Parts change information sample

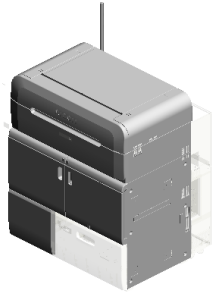
 **Add**

 **Update**

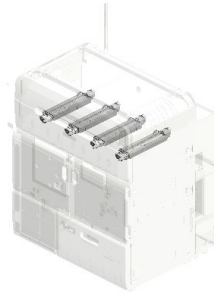
 **Delete**

Model	Product Code	PC Style
Pro C9100/C9110 Imaging Section	M205/M238	3D
Pro C9100/C9110 Fusing Section	M205/M238	3D
Vacuum Feed LCIT RT5100	D777	3D
Bridge Unit BU5010	D778	3D
Vacuum Feed Banner Sheet Tray Type S3	D777	3D
Cover Interposer Tray CI5030	D738	3D
Multi Bypass Tray BY5010	D517	3D
Multi Bypass Banner Sheet Tray Type S3	D517	3D
Multi-Folding Unit FD5020	D740	3D
Finisher SR5050	D735	3D
Booklet Finisher SR5060	D734	3D
High Capacity Stacker SK5030	D776	3D
Multi Bypass Attachment Kit for Vacuum Feed LCIT Type S3	D777	3D
Punch Unit PU5020	D449	Traditional
Trimmer Unit TR5040	D520	Traditional
Ring Binder RB5020	D737	Traditional
Ring Opener Type A	D419	Traditional
Perfect Binder GB5010	D736	Traditional
Transit Pass Unit for Perfect Binder Type S1	D736	Traditional
Cover Interposer Tray for Perfect Binder Type S1	D736	Traditional
RPIP Interface Box Type S3	M462	Traditional

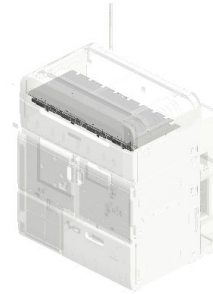
Unit All



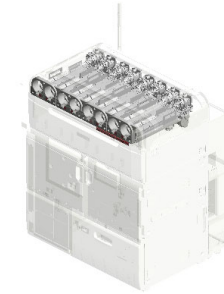
U001
EXTERIOR:RIGHT



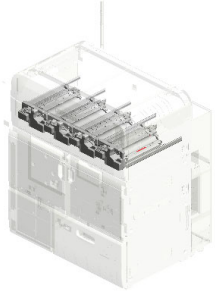
U002
CHARGE/DISCHARGE



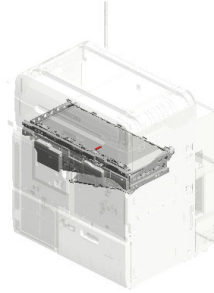
U003
LASER UNIT



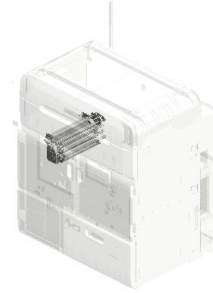
U004
TONER SUPPLY



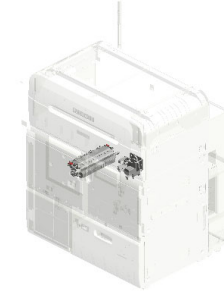
U005
PCDU



U006
ITB UNIT



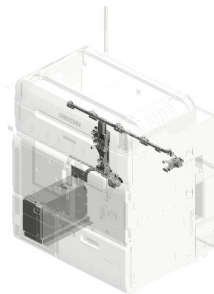
U007
ITB CLEANING



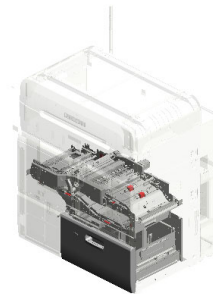
U008
TRANSFER/SEPARATION



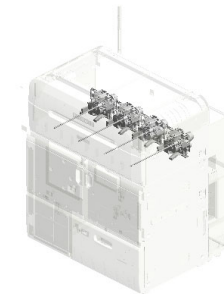
U009
SEPARATION/PAPER TRANSPORT:RIGHT



U010
USED TONER

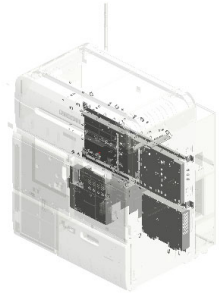


U011
PAPER TRANSPORT:RIGHT

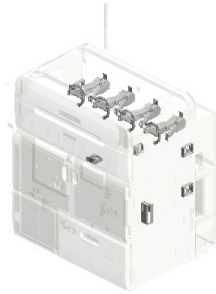


U012
MAIN DRIVE:RIGHT

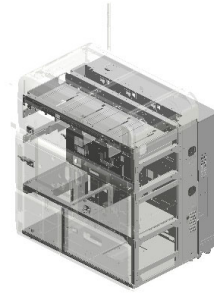
Unit All



U013
ELECTRICAL:RIGHT



U014
AIR COOLING:RIGHT



U015
MAIN FRAME:RIGHT



U016
Options



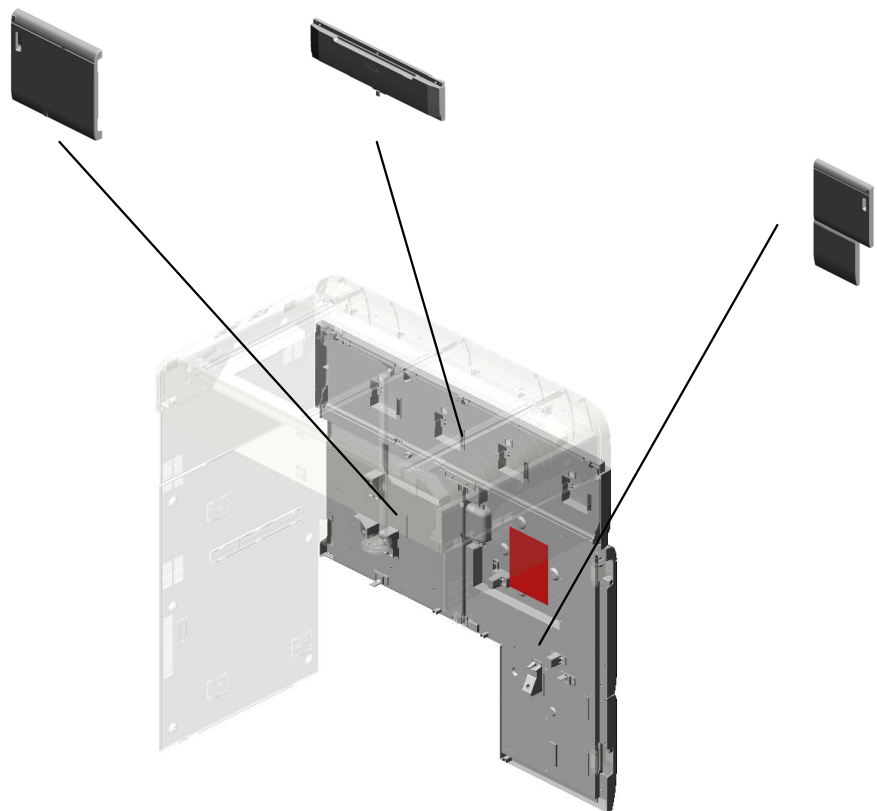
U017
ACCESSORIES

U001.EXTERIOR:RIGHT

U001 S001
M2051567
DOOR:FRONT RIGHT:ASS'Y

U001 S003
M0ED1647
COVER:UPPER FRONT:SUB-
ASSY

U001 S002
M2051703
DOOR:LEFT FRONT:ASS'Y



U001	U002	U003	U004	U005	U006	U007	U008	U009	U010	U011	U012	U013	U014	U015	U016	U017
------	------	------	------	------	------	------	------	------	------	------	------	------	------	------	------	------

U001
EXTERIOR:RIGHT



- 32.M2051609 INNER COVER:TONER SUPPLY SUB-UNIT:RIGHT SIDEWAYS
- 9.08050092 RETAINING RING-3M
- 24.D1793377 TORSION SPRING:SAFETY SWITCH:TONER SUPPLY UNIT
- 14.B2341293 LEVER - SAFETY SWITCH
- 4.04524010N (x12) BINDING SELF-TAPPING SCREW:4X10

2.04513014N
TAPPING SCREW:3X14

12.12042612
MICRO SWITCH:D3 V-16506-3C25

23.D1793376
LEVER:SAFETY SWITCH:TONER SUPPLY UNIT:ASSY

17.C1012360
(x2)
SNAP RING

20.D0747829
(x4)
CAP:JOINT:LARGE CAPACITY TRAY

19.D0747828
CAP:CONNECTOR

21.D0747830
COVER:LARGE CAPACITY TRAY

5.04524012N
(x15)
BINDING SELF-TAPPING SCREW:4X12

25.D1941462
(x8)
HEXAGON HEAD BOLT:DOUBLE SCREW:M4X10

7.04534010N
(x18)
BINDING SELF TAPPING SCREW:4X10

15.B2342390
(x3)
FLANGED HEXAGONAL HEAD BOLT:M4X8

26.D5324936
MECHANICAL ROLLER CLUTCH:2.0N

3.04514008N
(x55)
TAPPING SCREW:4X8

10.09544008N
(x4)
SCREW - M4X8

1.03530080N
(x10)
SCREW:M3X8

11.11050530
NYLON CLAMP-EMT-4N

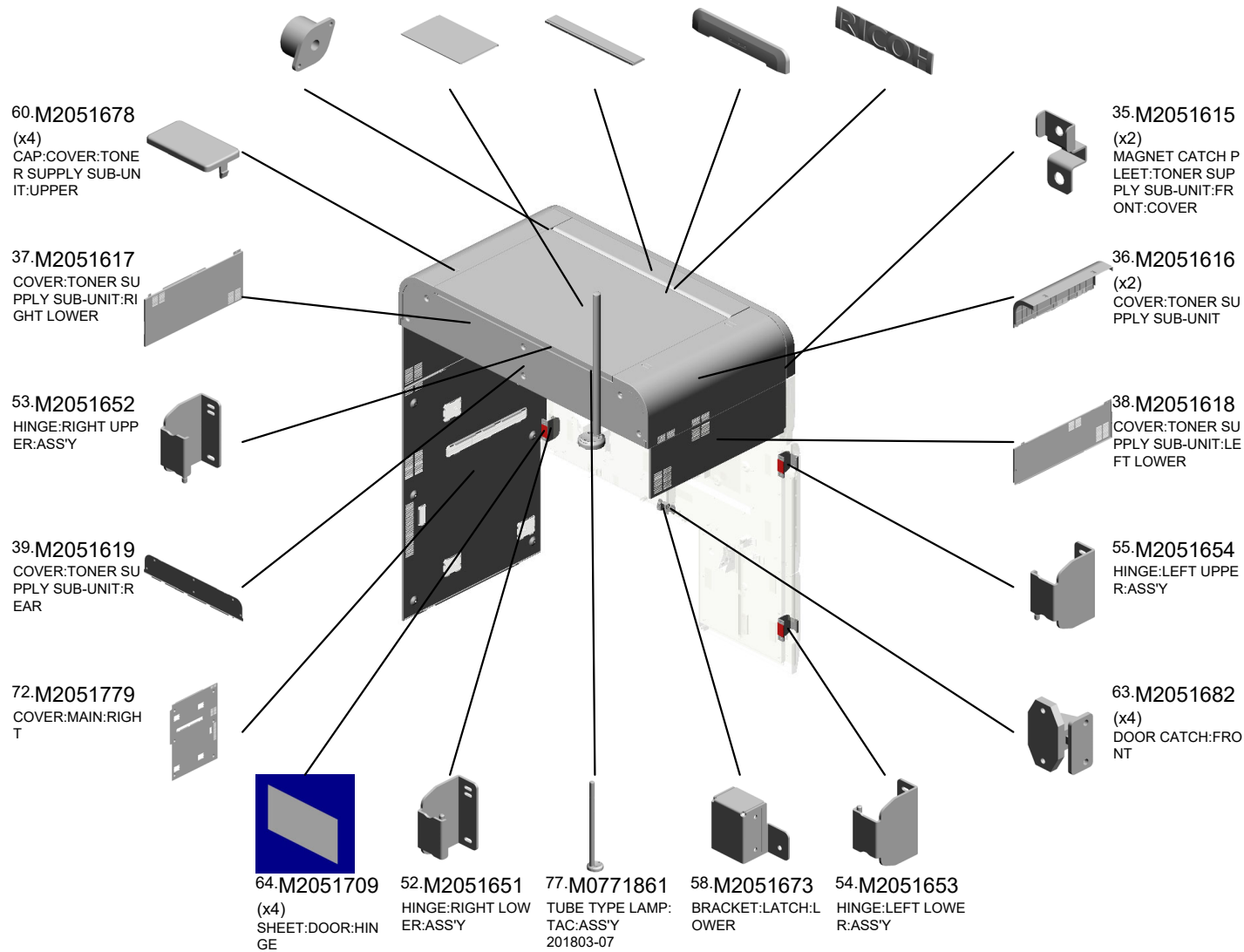
- 2.04513014N(x 1) TAPPING SCREW:3X14
- 3.04514008N(x 5) TAPPING SCREW:4X8
- 5.04524012N(x17) BINDING SELF-TAPPING SCREW:4X12
- 6.04534008N(x13) BINDING SELF TAPPING SCREW:4X8
- 7.04534010N(x 3) BINDING SELF TAPPING SCREW:4X10

U001	U002	U003	U004	U005	U006	U007	U008	U009	U010	U011	U012	U013	U014	U015	U016	U017
------	------	------	------	------	------	------	------	------	------	------	------	------	------	------	------	------

U001 EXTERIOR:RIGHT



- 61.M2051679 MECHANICAL ROLLER CLUTCH:2.0NM
- 33.M2051610 COVER:TONER SUPPLY SUB-UNIT:UPPER
- 56.M2051663 COVER:TONER SUPPLY SUB-UNIT:FRONT UPPER
- 34.M2051613 COVER:TONER SUPPLY SUB-UNIT:FRONT
- 79.M2051671 PLATE:LOGO:RICOH 201803-01



U001	U002	U003	U004	U005	U006	U007	U008	U009	U010	U011	U012	U013	U014	U015	U016	U017
------	------	------	------	------	------	------	------	------	------	------	------	------	------	------	------	------

U001
EXTERIOR:RIGHT



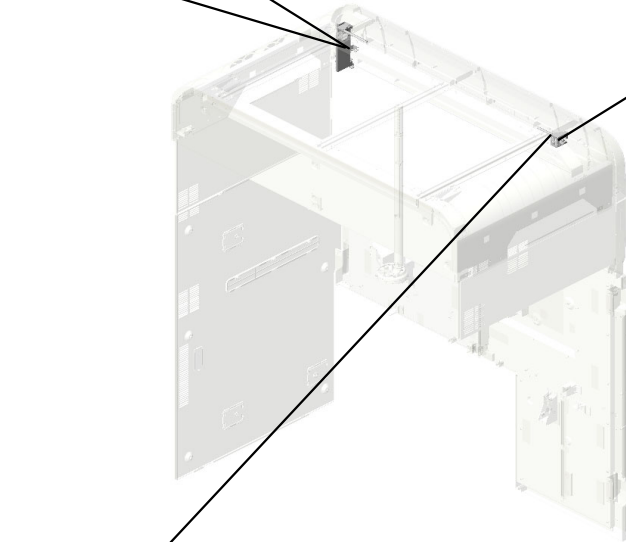
81.M0B11668
[B]
BRACKET:SAFETY
SWITCH:TONER S
UPPLY UNIT:PEEN
201808-01 O/O



80.M0B11607
[A]
BRACKET:MICRO
SWITCH:TONER S
UPPLY SUB-UNIT:
COVER
201808-02 X/O




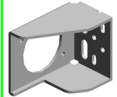


87.M0EDC611
(x2)
[D]
BRACKET:HINGE:T
ONER SUPPLY SU
202301-03 X/O



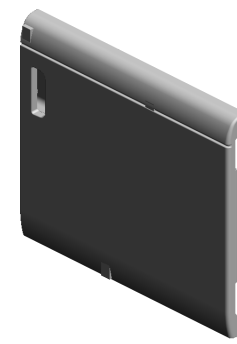
88.M0EDC680
(x2)
[C]
SHAFT:MECHANIC
AL ROLLER CLUTC
H
202301-02 X/O



 M2051608 [A] BRACKET:MICRO SWITCH:TONER S UPPLY SUB-UNIT: COVER 201808-02 X/O	 M2051668 [B] BRACKET:SAFETY SWITCH:TONER S UPPLY UNIT 201808-01 O/O
 M2051680 [C] SHAFT:MECHANIC AL ROLLER CLUTC H 202301-02 X/O	 M2051611 [D] BRACKET:HINGE:T ONER SUPPLY SU B-UNIT:RIGHT 202301-03 X/O

U001_S001
DOOR:FRONT RIGHT:ASS'Y

- 40.M2051739 SUPPORTING PLATE:RIGHT FRONT:DOOR:PEEN 201512-02 X/O
- 28.D6941014 RUBBER FOOT:BASE
- 68.M2051760 (x5) SEAL:DOOR:CUSHION
- 7.04534010N (x16) BINDING SELF TAPPING SCREW:4X10
- 71.M2051763 (x4) SEAL:DOOR:CUSHION:3



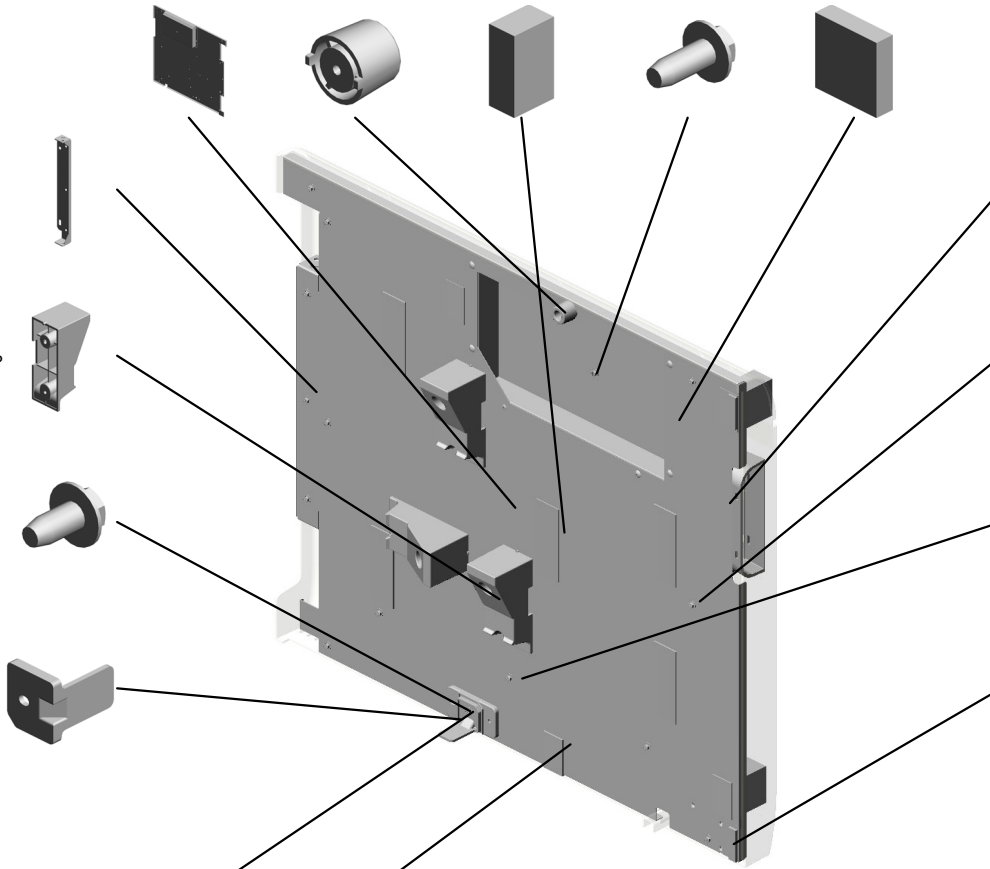
29.M2051567
DOOR:FRONT RIGHT:ASS'Y

82.M0B11624
HINGE:DOOR:RIGHT FRONT
201809-10 X/O

22.D1791505
(x3)
STOPPER:GUIDE PLATE:VERTICAL TRANSPORT

5.04524012N
(x11)
BINDING SELF-TAPPING SCREW:4X12

14.B2341293
LEVER - SAFETY SWITCH



18.D0747782
GRIP:DOOR:FRONT

83.M0B11626
(x2)
BRACKET:COUPLING:DOOR
201809-06 X/O

43.M2051626
BRACKET:COUPLING:DOOR:LOWER SIDE

70.M2051762
(x2)
SEAL:DOOR:CUSHION:2

- 1.03530080N(x 4) SCREW:M3X8
- 5.04524012N(x 5) BINDING SELF-TAPPING SCREW:4X12
- 7.04534010N(x 5) BINDING SELF TAPPING SCREW:4X10
- 8.04543006Q(x 1) TAPPING SCREW - M3X6

- 86.M2051664 BRACKET:SAFETY SWITCH:DOOR 201812-01 O/O
- 69.M2051761 (x4) SEAL:DOOR:CUSHION:1

U001_S002
DOOR:LEFT FRONT:ASS'Y

27.D5481243
(x2)
STAND:UN LOCK

47.M2051632
DOOR:LEFT FRON
T:UPPER

45.M2051742
SUPPORTING PLA
TE:LEFT FRONT:D
OOR:PEEN
201512-04 X/O

74.M2057511
DECAL:MAIN:PICK-
UP PAPER JAM:RI
GHT



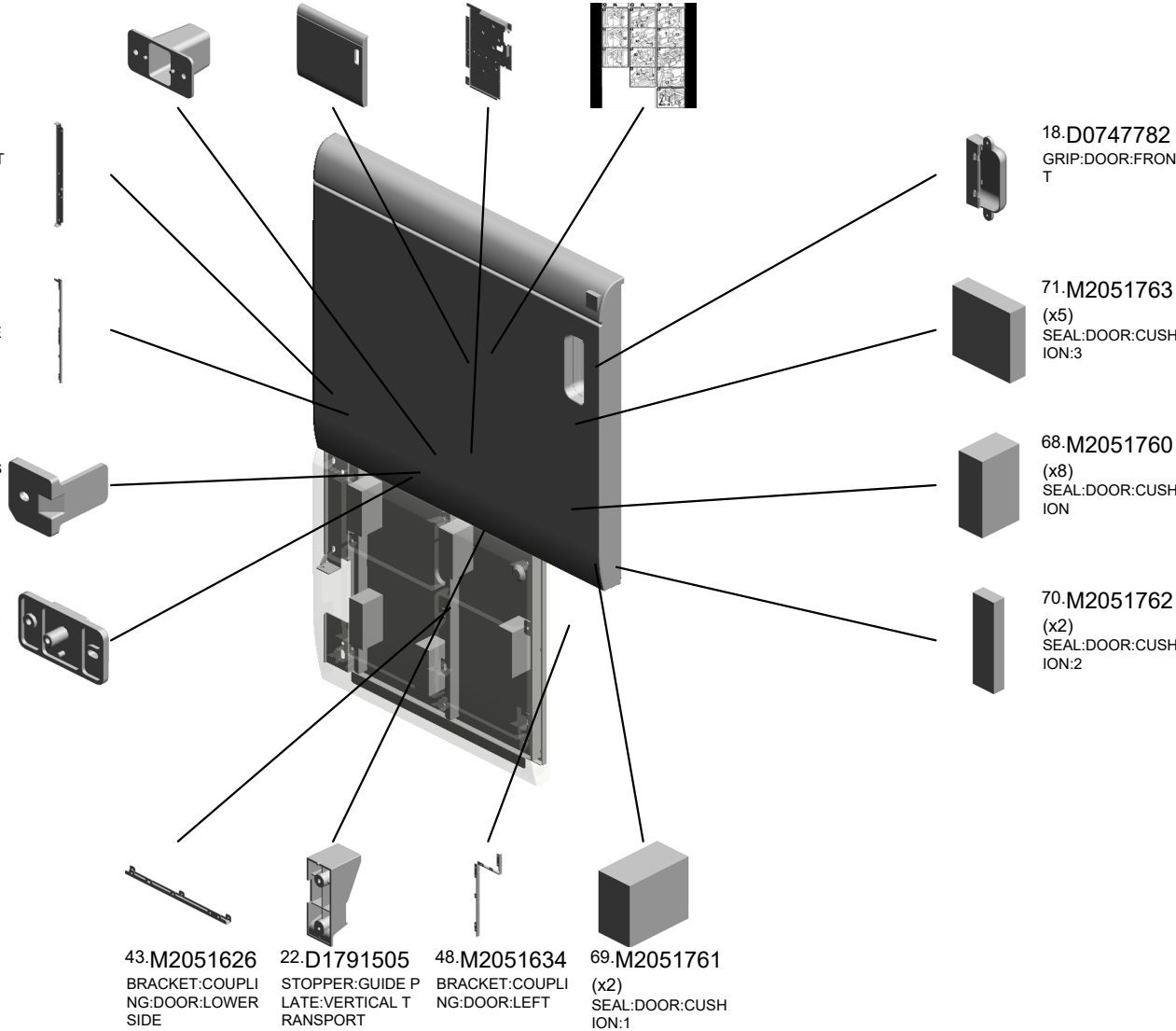
30.M2051703
[A]
DOOR:LEFT FRON
T:ASS'Y
201703-06 O/O

84.M0B11631
HINGE:DOOR:LEFT
FRONT
201809-11 X/O

85.M0B11634
BRACKET:COUPLI
NG:DOOR:LEFT LE
NGTHWISE
201809-07 X/O

14.B2341293
LEVER - SAFETY S
WITCH

86.M2051664
BRACKET:SAFETY
SWITCH:DOOR
201812-01 O/O



43.M2051626
BRACKET:COUPLI
NG:DOOR:LOWER
SIDE

22.D1791505
STOPPER:GUIDE P
LATE:VERTICAL T
RANSPORT

48.M2051634
BRACKET:COUPLI
NG:DOOR:LEFT

69.M2051761
(x2)
SEAL:DOOR:CUSH
ION:1

18.D0747782
GRIP:DOOR:FRON
T

71.M2051763
(x5)
SEAL:DOOR:CUSH
ION:3

68.M2051760
(x8)
SEAL:DOOR:CUSH
ION

70.M2051762
(x2)
SEAL:DOOR:CUSH
ION:2

1.03530080N(x 4)
SCREW:M3X8



M2051583
[A]
DOOR:LEFT FRON
T:ASS'Y
201703-06 O/O

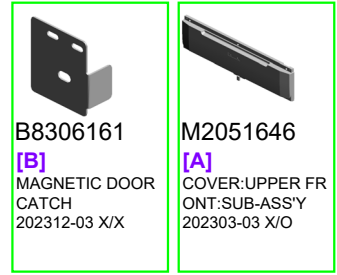
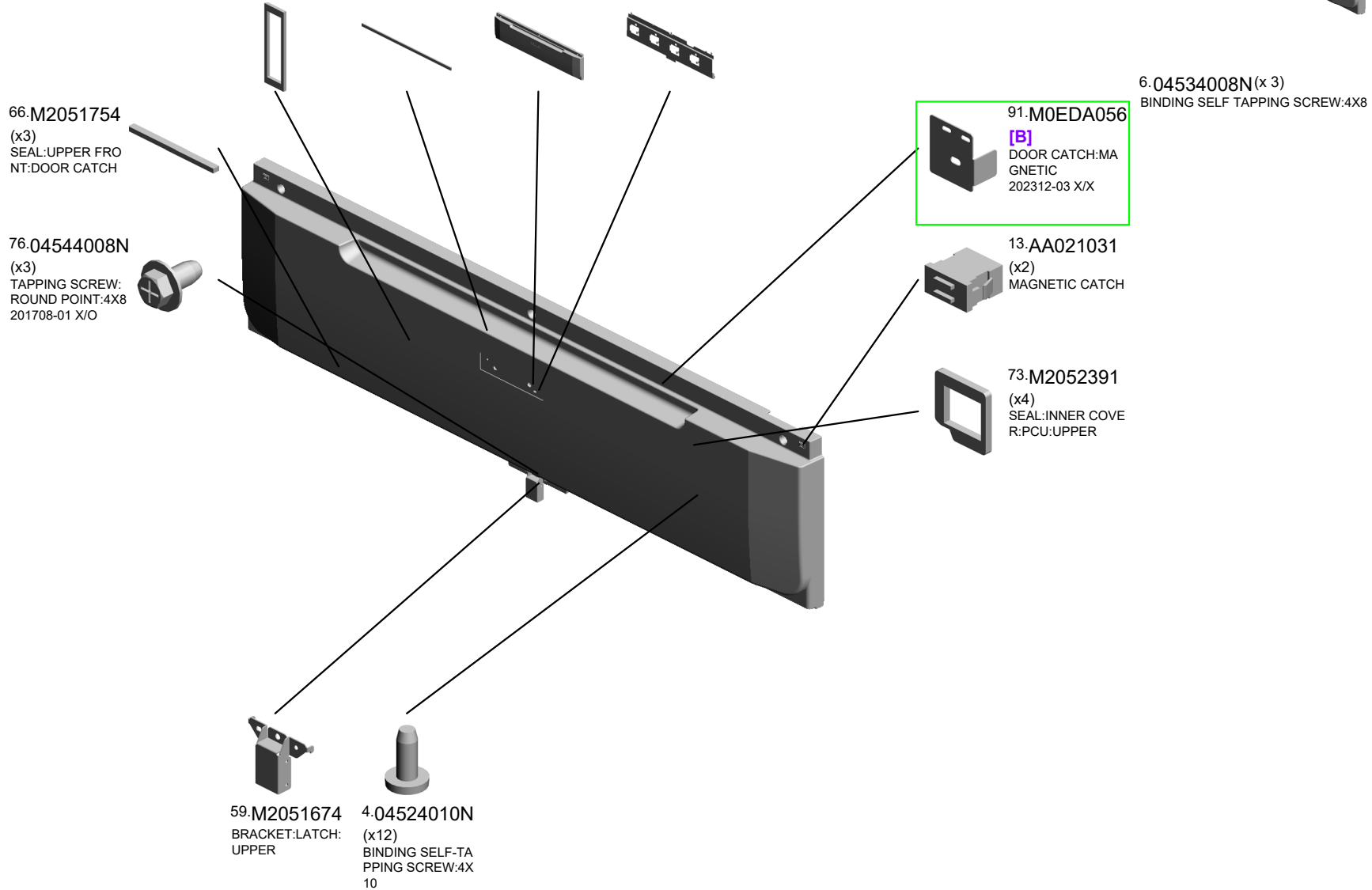
U001	U002	U003	U004	U005	U006	U007	U008	U009	U010	U011	U012	U013	U014	U015	U016	U017
------	------	------	------	------	------	------	------	------	------	------	------	------	------	------	------	------

U001_S003
COVER:UPPER FRONT:SUB-ASS'Y

- 65.M2051753 (x4) SEAL:PCU:LOWER
- 67.M2051755 (x6) SEAL:COVER:UPPER FRONT
- 78.M2051647 COVER:UPPER FRONT
- 51.M2051648 SUPPORTING PLATE:COVER:UPPER FRONT



- 90.M0ED1647 [A] COVER:UPPER FRONT:SUB-ASS'Y 202303-03 X/O



U001	U002	U003	U004	U005	U006	U007	U008	U009	U010	U011	U012	U013	U014	U015	U016	U017
------	------	------	------	------	------	------	------	------	------	------	------	------	------	------	------	------

U002.CHARGE/DISCHARGE

U002 S007
M2052201
DUCT:CHARGE:ASS'Y

U002 S002
M2052150
CHARGE CORONA:ASS'Y

U002 S006
M2052201
DUCT:CHARGE:ASS'Y

U002 S003
M2052150
CHARGE CORONA:ASS'Y

U002 S005
M2052201
DUCT:CHARGE:ASS'Y

U002 S008
M2052201
DUCT:CHARGE:ASS'Y

U002 S001
M2052150
CHARGE CORONA:ASS'Y

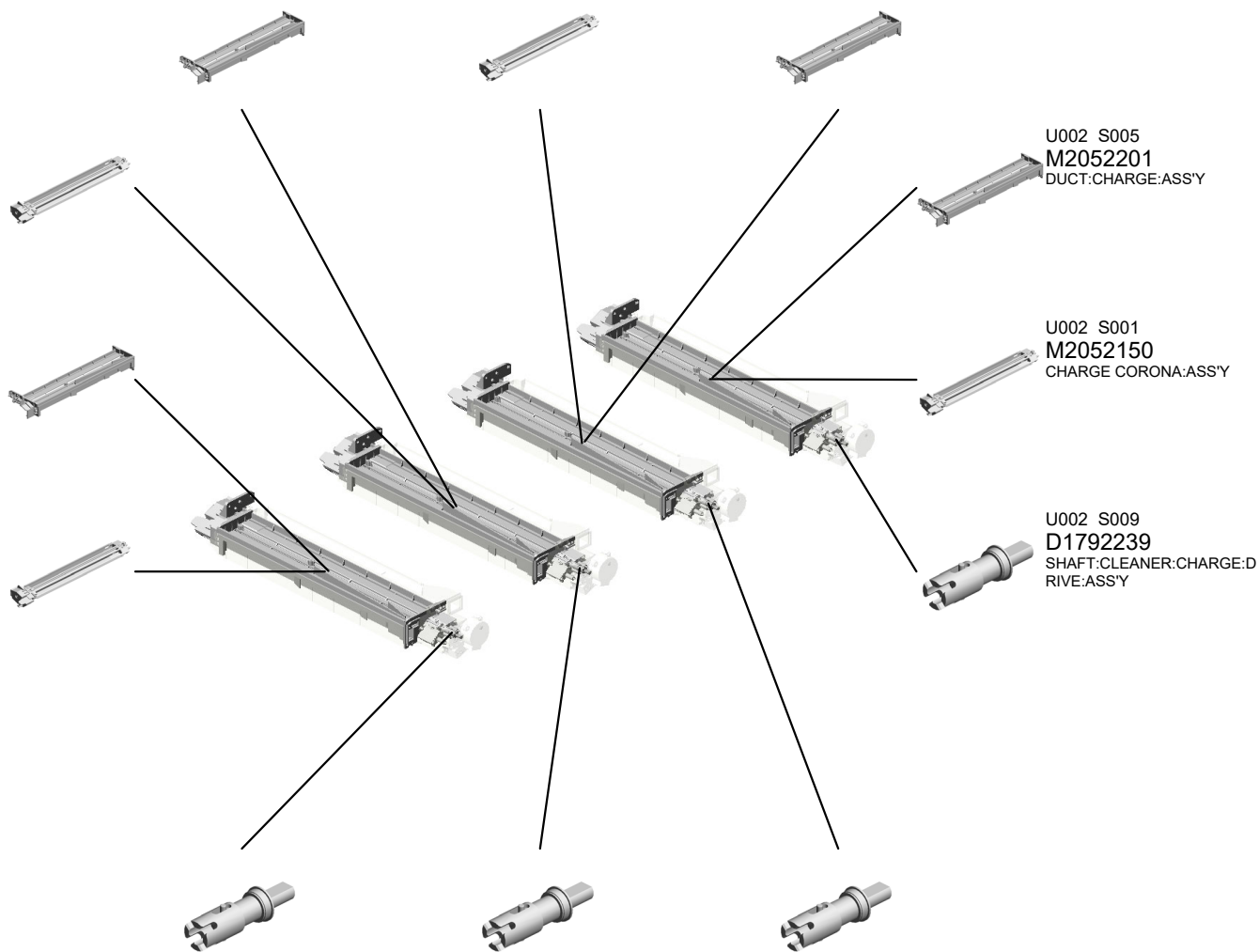
U002 S004
M2052150
CHARGE CORONA:ASS'Y

U002 S009
D1792239
SHAFT:CLEANER:CHARGE:D
RIVE:ASS'Y

U002 S012
D1792239
SHAFT:CLEANER:CHARGE:D
RIVE:ASS'Y

U002 S011
D1792239
SHAFT:CLEANER:CHARGE:D
RIVE:ASS'Y

U002 S010
D1792239
SHAFT:CLEANER:CHARGE:D
RIVE:ASS'Y



U001	U002	U003	U004	U005	U006	U007	U008	U009	U010	U011	U012	U013	U014	U015	U016	U017
------	------	------	------	------	------	------	------	------	------	------	------	------	------	------	------	------

U002_S001.CHARGE CORONA:ASS'Y

U002 S001 S002
M2052246
COVER:CHARGE CORONA:A
SSY



U001	U002	U003	U004	U005	U006	U007	U008	U009	U010	U011	U012	U013	U014	U015	U016	U017
------	-------------	------	------	------	------	------	------	------	------	------	------	------	------	------	------	------

U002_S002.CHARGE CORONA:ASS'Y

U002 S002 S002
M2052246
COVER:CHARGE CORONA:A
SSY



U001	U002	U003	U004	U005	U006	U007	U008	U009	U010	U011	U012	U013	U014	U015	U016	U017
------	------	------	------	------	------	------	------	------	------	------	------	------	------	------	------	------

U002_S003.CHARGE CORONA:ASS'Y

U002 S003 S002
M2052246
COVER:CHARGE CORONA:A
SSY



U002 S003 S001
G1782570
SCREW SHAFT:CHARGE CO
RONA:ASS'Y

U001	U002	U003	U004	U005	U006	U007	U008	U009	U010	U011	U012	U013	U014	U015	U016	U017
------	------	------	------	------	------	------	------	------	------	------	------	------	------	------	------	------

U002_S004.CHARGE CORONA:ASS'Y

U002 S004 S002
M2052246
COVER:CHARGE CORONA:A
SSY

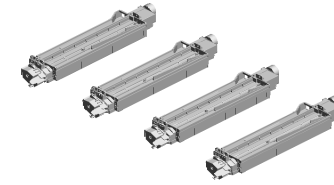


U002 S004 S001
G1782570
SCREW SHAFT:CHARGE CO
RONA:ASS'Y

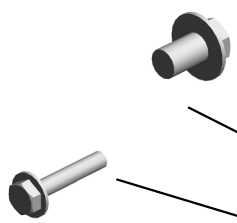
U001	U002	U003	U004	U005	U006	U007	U008	U009	U010	U011	U012	U013	U014	U015	U016	U017
------	------	------	------	------	------	------	------	------	------	------	------	------	------	------	------	------

U002 CHARGE/DISCHARGE

- 2.03604006N (x4) SCREW - M4X6
- 42.M2052220 (x4) DUCT:CHARGE:LE FT:ASS'Y
- 28.G1781313 (x4) SPRING:PLATE:RI GHT:CHARGE
- 23.D1792238 (x4) SOCKET:CHARGE
- 29.G1781316 (x4) SPRING:PLATE:LE FT:CHARGE



1.03603016N
(x4)
SCREW - M3X16



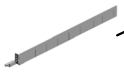
14.AW020198
(x4)
PHOTOINTERRUPTOR:LG2A14NL1



5.04583008N
(x36)
HEXAGON HEAD TAPPING SCREW:3 X8



41.M2052215
(x4)
DUCT:CHARGE:RI GHT:ASS'Y



3.03604008N
(x8)
SCREW - M4X8



13.11050600
(x4)
CLAMP:LWSM-030 6-2M



26.G1781282
(x4)
GEAR:CHARGE:CL EANER:Z51



4.04533006N
(x8)
TAPPING SCREW - M3X6



22.D1792237
(x4)
HOLDER:MOTOR:CHARGE



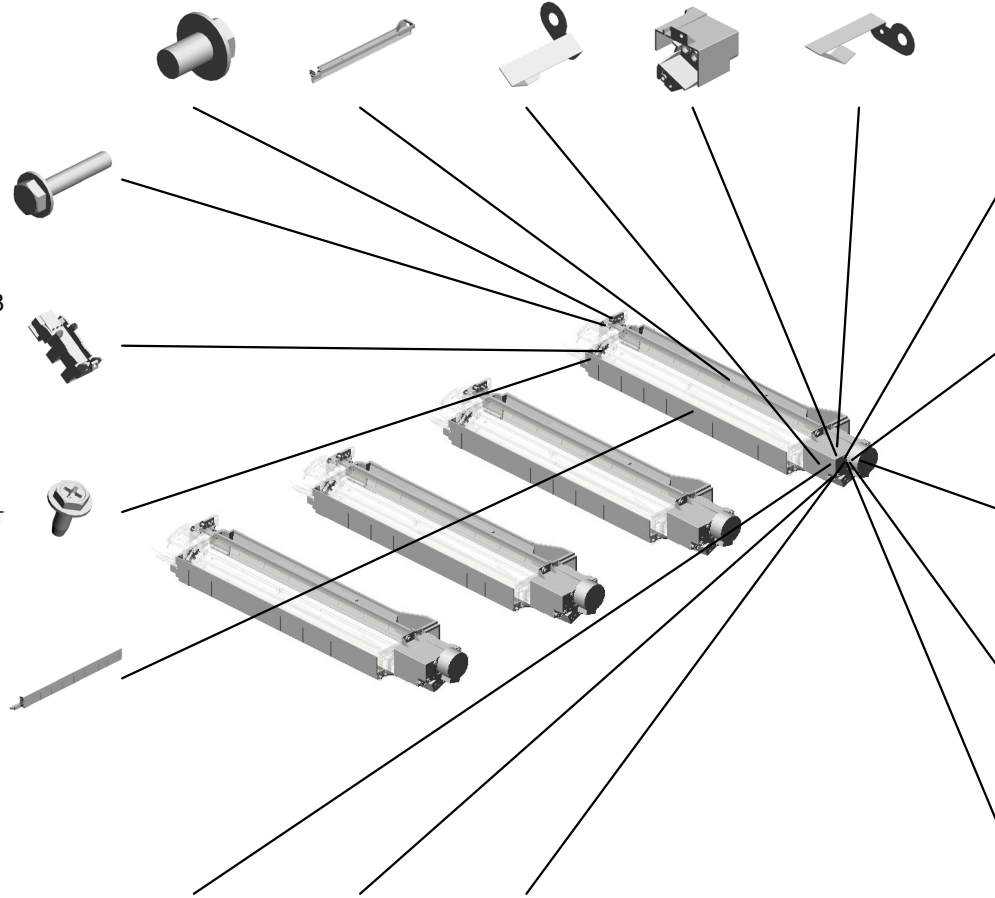
17.B7005804
(x4)
STEPPER MOTOR: DIA42:Z17:ASS'Y



27.G1781311
(x12)
TERMINAL:CHARGE



10.07413706
(x4)
BALL BEARING - 6 X10X3



U002_S001
CHARGE CORONA:ASS'Y

37.G1782605
(x3)
TENSION SPRING:
CORONA WIRE

5.04583008N
(x5)
HEXAGON HEAD T
APPING SCREW:3
X8

45.M2052245
(x6)
CUSHION:CORONA
WIRE

34.G1782521
SLIDER:CLEANER:
CHARGE CORONA
:ASS'Y

43.M2052242
CLEANER:GRID:AS
S'Y

38.M2052150
CHARGE CORONA
:ASS'Y

8.07200025E
RETAINING RING -
M2.5

33.G1782516
END BLOCK:CHAR
GE CORONA:FRO
NT

32.G1782512
COVER:END BLOC
K:FRONT

31.G1782510
(x3)
CLEANER:CORON
A WIRE:ASS'Y

35.G1782522
(x3)
RING:SLIDER

44.D1792224
(x3)
CORONA WIRE:CH
ARGE CORONA
201508-01 X/O

18.D1792204
COVER:END BLOC
K:REAR

19.D1792205
ELECTRODE PLAT
E:CASE:CHARGE

11.08050072
(x2)
CS RING

47.M2052251
FIXING PLATE:CO
RONA WIRE:LEFT:
ASS'Y

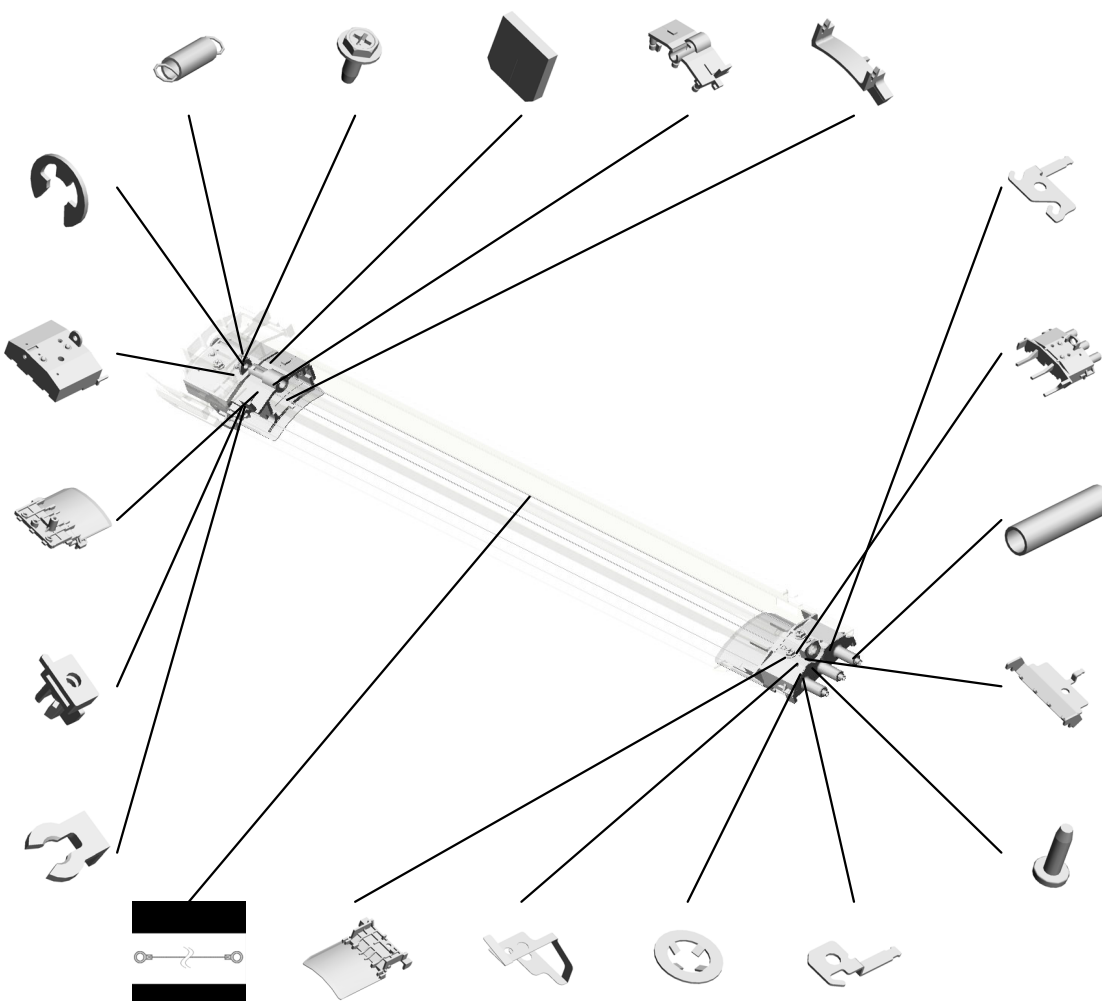
48.M2052252
FIXING PLATE:CO
RONA WIRE:RIGH
T:ASS'Y

21.D1792208
END BLOCK:CHAR
GE CORONA:REAR

15.B2342125
(x3)
SPRING - GRID

20.D1792206
STAY:GRID

7.04593010N
BINDING HEAD TA
PPING SCREW:3X
10



U002_S001
CHARGE CORONA:ASS'Y

49.D0BX2500
GRID:CHARGE CO
RONA
201903-01 O/O



38.M2052150
CHARGE CORONA
:ASS'Y

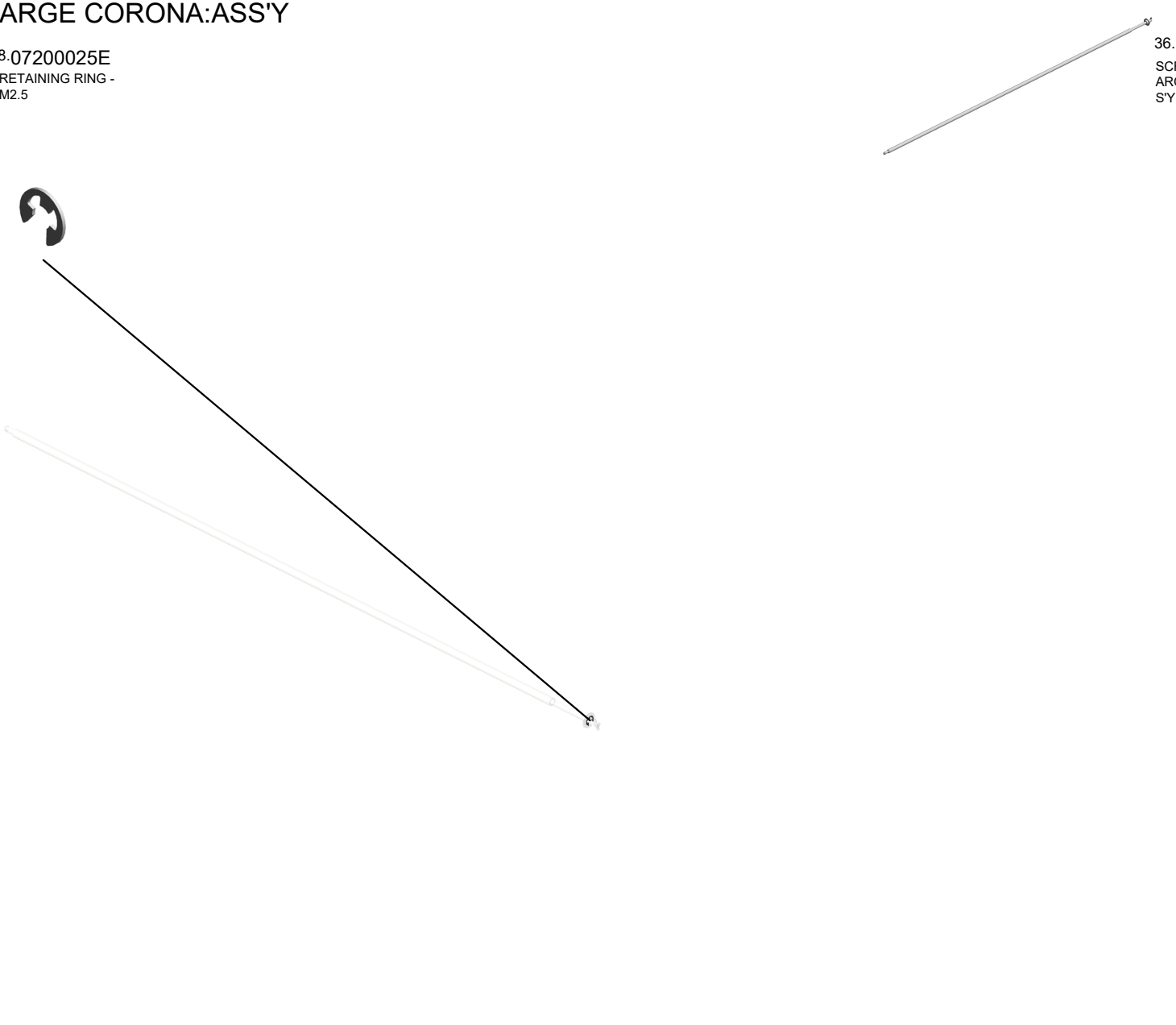


U001	U002	U003	U004	U005	U006	U007	U008	U009	U010	U011	U012	U013	U014	U015	U016	U017
------	-------------	------	------	------	------	------	------	------	------	------	------	------	------	------	------	------

U002_S001_S001
SCREW SHAFT:CHARGE CORONA:ASS'Y

8.07200025E
RETAINING RING -
M2.5

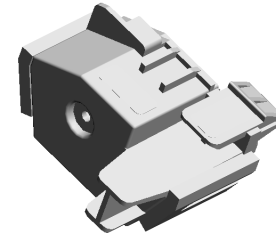
36.G1782570
SCREW SHAFT:CH
ARGE CORONA:AS
SY



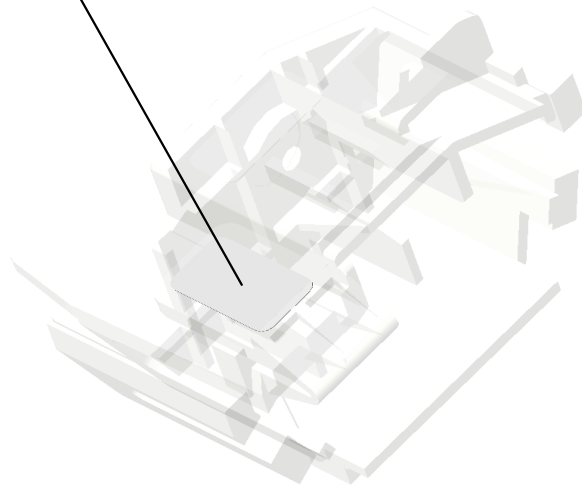
U001	U002	U003	U004	U005	U006	U007	U008	U009	U010	U011	U012	U013	U014	U015	U016	U017
------	-------------	------	------	------	------	------	------	------	------	------	------	------	------	------	------	------

U002_S001_S002
COVER:CHARGE CORONA:ASS'Y

25.D1792254
DECAL:CHARGE:G
RIP



46.M2052246
COVER:CHARGE C
ORONA:ASS'Y



U001	U002	U003	U004	U005	U006	U007	U008	U009	U010	U011	U012	U013	U014	U015	U016	U017
------	-------------	------	------	------	------	------	------	------	------	------	------	------	------	------	------	------

U002_S002
CHARGE CORONA:ASS'Y

- 37.G1782605** (x3) TENSION SPRING: CORONA WIRE
- 5.04583008N** (x5) HEXAGON HEAD TAPPING SCREW:3 X8
- 45.M2052245** (x6) CUSHION:CORONA WIRE
- 34.G1782521** SLIDER:CLEANER: CHARGE CORONA :ASS'Y
- 43.M2052242** CLEANER:GRID:AS S'Y



38.M2052150
CHARGE CORONA :ASS'Y

8.07200025E
RETAINING RING - M2.5

33.G1782516
END BLOCK:CHARGE CORONA:FRONT

32.G1782512
COVER:END BLOCK:FRONT

31.G1782510
(x3) CLEANER:CORONA WIRE:ASS'Y

35.G1782522
(x3) RING:SLIDER

44.D1792224
(x3) CORONA WIRE:CHARGE CORONA 201508-01 X/O

18.D1792204
COVER:END BLOCK:REAR

19.D1792205
ELECTRODE PLATE:CASE:CHARGE

11.08050072
(x2) CS RING

47.M2052251
FIXING PLATE:CORONA WIRE:LEFT:ASS'Y

48.M2052252
FIXING PLATE:CORONA WIRE:RIGHT:ASS'Y

21.D1792208
END BLOCK:CHARGE CORONA:REAR

15.B2342125
(x3) SPRING - GRID

20.D1792206
STAY:GRID

7.04593010N
BINDING HEAD TAPPING SCREW:3X10

U002_S002
CHARGE CORONA:ASS'Y

49.D0BX2500
GRID:CHARGE CO
RONA
201903-01 O/O



38.M2052150
CHARGE CORONA
:ASS'Y

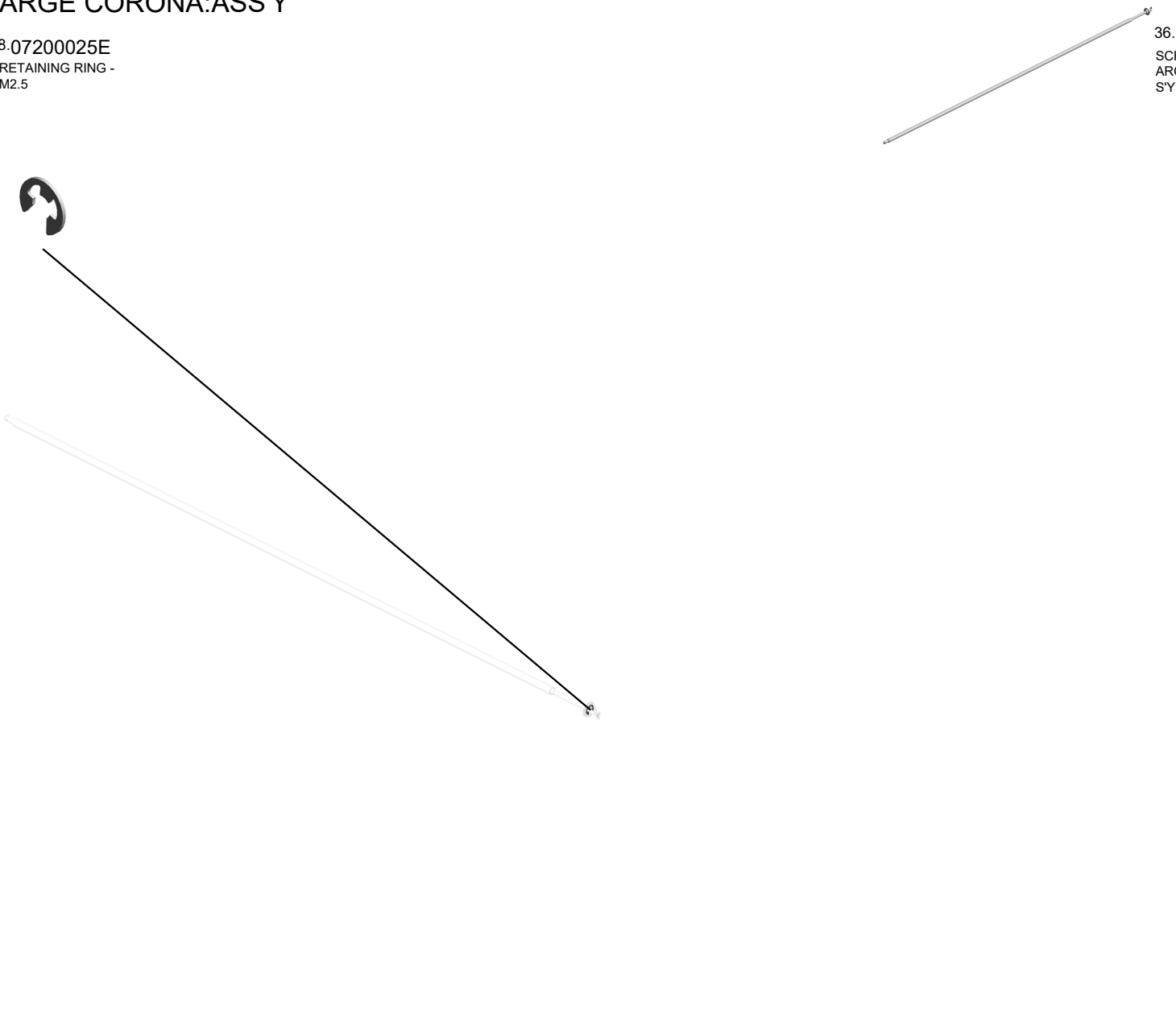


U001	U002	U003	U004	U005	U006	U007	U008	U009	U010	U011	U012	U013	U014	U015	U016	U017
------	-------------	------	------	------	------	------	------	------	------	------	------	------	------	------	------	------

U002_S002_S001
SCREW SHAFT:CHARGE CORONA:ASS'Y

8.07200025E
RETAINING RING -
M2.5

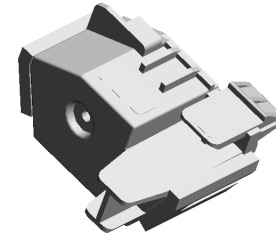
36.G1782570
SCREW SHAFT:CH
ARGE CORONA:AS
SY



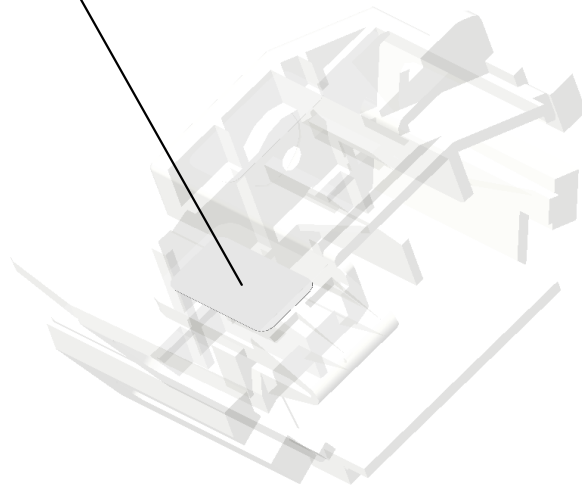
U001	U002	U003	U004	U005	U006	U007	U008	U009	U010	U011	U012	U013	U014	U015	U016	U017
------	------	------	------	------	------	------	------	------	------	------	------	------	------	------	------	------

U002_S002_S002
COVER:CHARGE CORONA:ASS'Y

25.D1792254
DECAL:CHARGE:G
RIP



46.M2052246
COVER:CHARGE C
ORONA:ASS'Y



U001	U002	U003	U004	U005	U006	U007	U008	U009	U010	U011	U012	U013	U014	U015	U016	U017
------	-------------	------	------	------	------	------	------	------	------	------	------	------	------	------	------	------

U002_S003
CHARGE CORONA:ASS'Y

- 37.G1782605** (x3) TENSION SPRING: CORONA WIRE
- 5.04583008N** (x5) HEXAGON HEAD TAPPING SCREW:3 X8
- 45.M2052245** (x6) CUSHION:CORONA WIRE
- 34.G1782521** SLIDER:CLEANER: CHARGE CORONA :ASS'Y
- 43.M2052242** CLEANER:GRID:AS S'Y



38.M2052150
CHARGE CORONA :ASS'Y

8.07200025E
RETAINING RING - M2.5

33.G1782516
END BLOCK:CHARGE CORONA:FRONT

32.G1782512
COVER:END BLOCK:FRONT

31.G1782510
(x3) CLEANER:CORONA WIRE:ASS'Y

35.G1782522
(x3) RING:SLIDER



48.M2052252
FIXING PLATE:CORONA WIRE:RIGHT:ASS'Y

21.D1792208
END BLOCK:CHARGE CORONA:REAR

15.B2342125
(x3) SPRING - GRID

20.D1792206
STAY:GRID

7.04593010N
BINDING HEAD TAPPING SCREW:3X 10

44.D1792224
(x3) CORONA WIRE:CHARGE CORONA 201508-01 X/O

18.D1792204
COVER:END BLOCK:REAR

19.D1792205
ELECTRODE PLATE:CASE:CHARGE

11.08050072
(x2) CS RING

47.M2052251
FIXING PLATE:CORONA WIRE:LEFT:ASS'Y

U002_S003
CHARGE CORONA:ASS'Y

49.D0BX2500
GRID:CHARGE CO
RONA
201903-01 O/O



38.M2052150
CHARGE CORONA
:ASS'Y

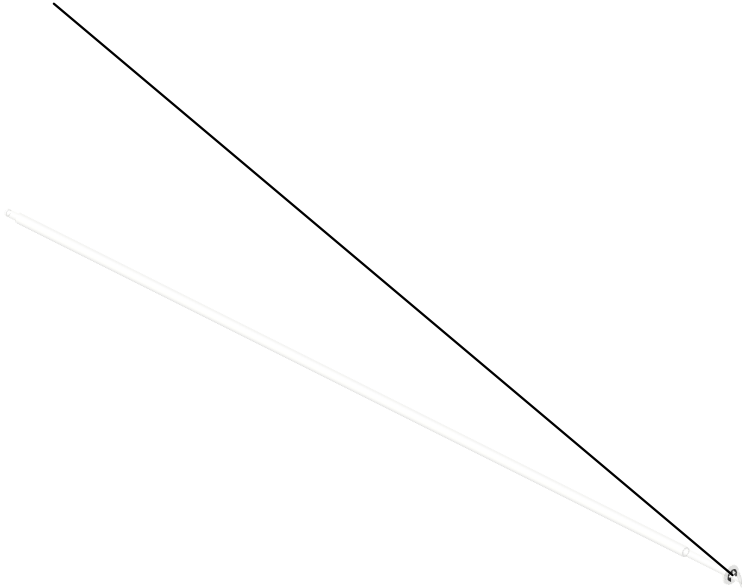


U001	U002	U003	U004	U005	U006	U007	U008	U009	U010	U011	U012	U013	U014	U015	U016	U017
------	-------------	------	------	------	------	------	------	------	------	------	------	------	------	------	------	------

U002_S003_S001
SCREW SHAFT:CHARGE CORONA:ASS'Y

8.07200025E
RETAINING RING -
M2.5

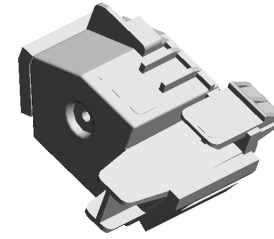
36.G1782570
SCREW SHAFT:CH
ARGE CORONA:AS
SY



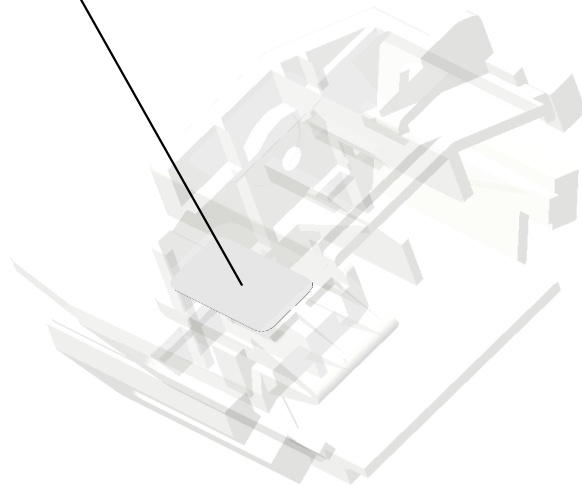
U001	U002	U003	U004	U005	U006	U007	U008	U009	U010	U011	U012	U013	U014	U015	U016	U017
------	-------------	------	------	------	------	------	------	------	------	------	------	------	------	------	------	------

U002_S003_S002
COVER:CHARGE CORONA:ASS'Y

25.D1792254
DECAL:CHARGE:G
RIP



46.M2052246
COVER:CHARGE C
ORONA:ASS'Y



U001	U002	U003	U004	U005	U006	U007	U008	U009	U010	U011	U012	U013	U014	U015	U016	U017
------	-------------	------	------	------	------	------	------	------	------	------	------	------	------	------	------	------

U002_S004
CHARGE CORONA:ASS'Y

- 37.G1782605 (x3) TENSION SPRING: CORONA WIRE
- 5.04583008N (x5) HEXAGON HEAD TAPPING SCREW:3 X8
- 45.M2052245 (x6) CUSHION:CORONA WIRE
- 34.G1782521 SLIDER:CLEANER: CHARGE CORONA :ASS'Y
- 43.M2052242 CLEANER:GRID:AS S'Y



38.M2052150
CHARGE CORONA :ASS'Y

8.07200025E
RETAINING RING - M2.5

33.G1782516
END BLOCK:CHAR GE CORONA:FRO NT

32.G1782512
COVER:END BLOC K:FRONT

31.G1782510
(x3)
CLEANER:CORON A WIRE:ASS'Y

35.G1782522
(x3)
RING:SLIDER

44.D1792224
(x3)
CORONA WIRE:CH ARGE CORONA 201508-01 X/O

18.D1792204
COVER:END BLOC K:REAR

19.D1792205
ELECTRODE PLAT E:CASE:CHARGE

11.08050072
(x2)
CS RING

47.M2052251
FIXING PLATE:CO RONA WIRE:LEFT: ASS'Y

48.M2052252
FIXING PLATE:CO RONA WIRE:RIGH T:ASS'Y

21.D1792208
END BLOCK:CHAR GE CORONA:REAR

15.B2342125
(x3)
SPRING - GRID

20.D1792206
STAY:GRID

7.04593010N
BINDING HEAD TA PPING SCREW:3X 10

U002_S004
CHARGE CORONA:ASS'Y

49.D0BX2500
GRID:CHARGE CO
RONA
201903-01 O/O



38.M2052150
CHARGE CORONA
:ASS'Y

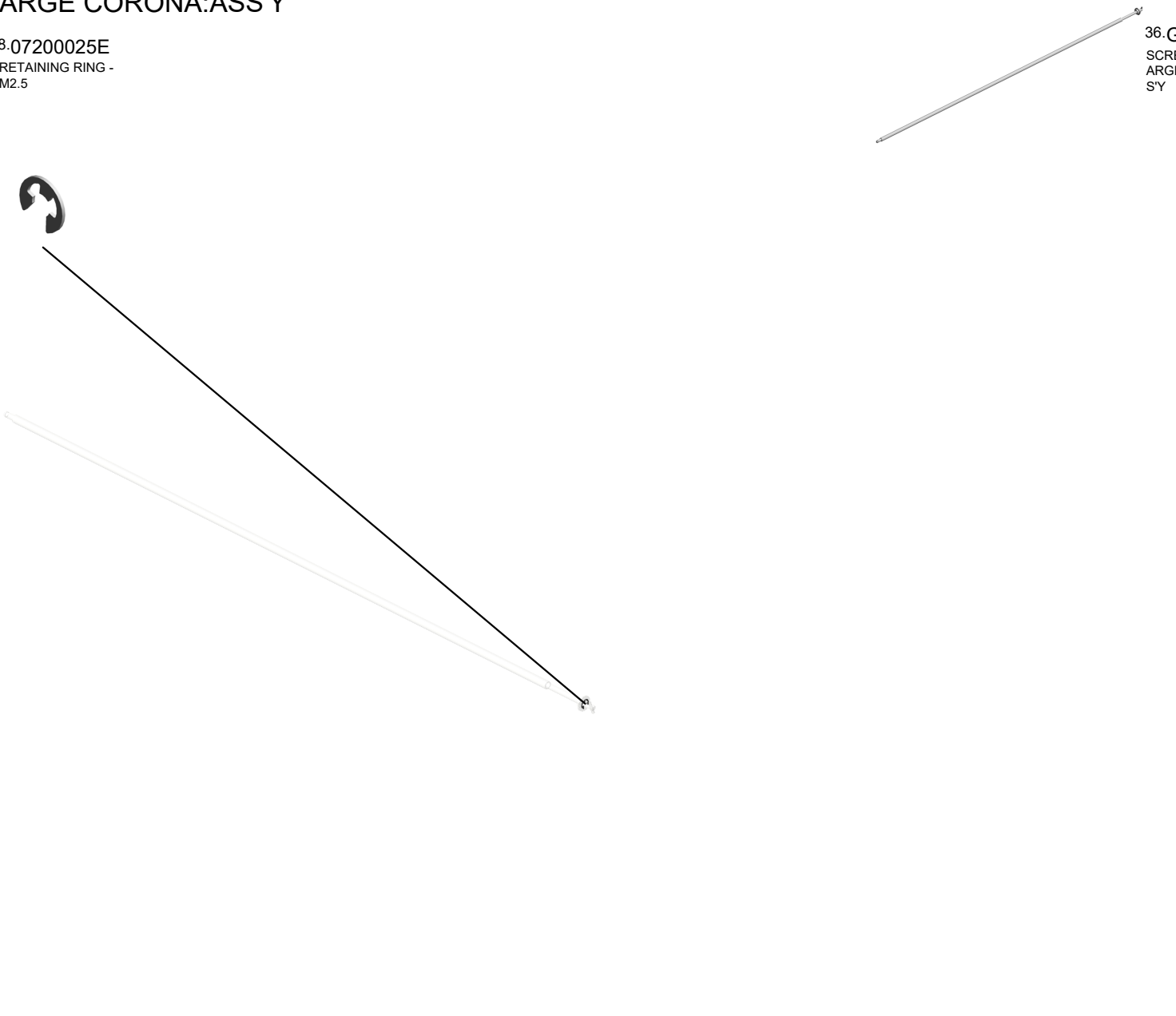


U001	U002	U003	U004	U005	U006	U007	U008	U009	U010	U011	U012	U013	U014	U015	U016	U017
------	-------------	------	------	------	------	------	------	------	------	------	------	------	------	------	------	------

U002_S004_S001
SCREW SHAFT:CHARGE CORONA:ASS'Y

8.07200025E
RETAINING RING -
M2.5

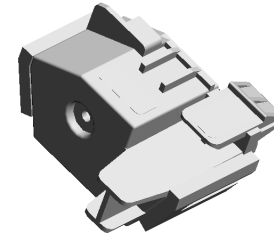
36.G1782570
SCREW SHAFT:CH
ARGE CORONA:AS
SY



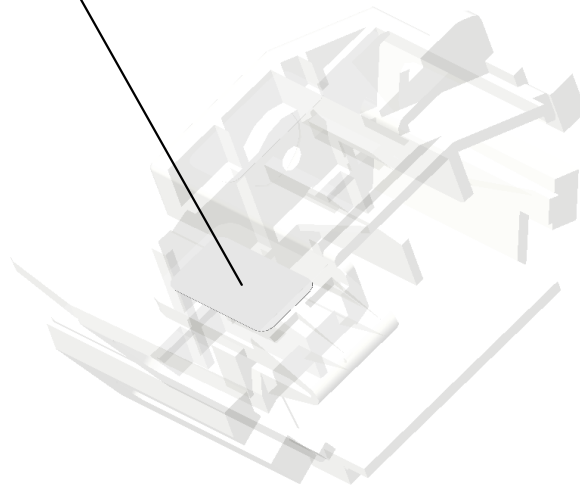
U001	U002	U003	U004	U005	U006	U007	U008	U009	U010	U011	U012	U013	U014	U015	U016	U017
------	-------------	------	------	------	------	------	------	------	------	------	------	------	------	------	------	------

U002_S004_S002
COVER:CHARGE CORONA:ASS'Y

25.D1792254
DECAL:CHARGE:G
RIP



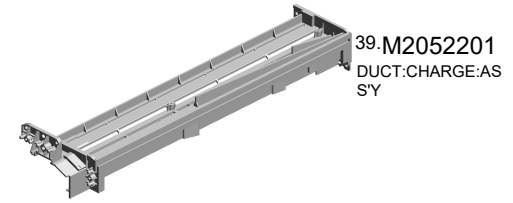
46.M2052246
COVER:CHARGE C
ORONA:ASS'Y



U001	U002	U003	U004	U005	U006	U007	U008	U009	U010	U011	U012	U013	U014	U015	U016	U017
------	-------------	------	------	------	------	------	------	------	------	------	------	------	------	------	------	------

U002_S005
DUCT:CHARGE:ASS'Y

16.B2342440
LED ARRAY - QL
202202-02



39.M2052201
DUCT:CHARGE:AS
SY

13.11050600
(x3)
CLAMP:LWSM-030
6-2M



12.11026283(x 1)
CONNECTOR - 2P



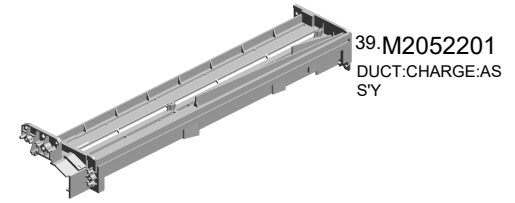
6.04593008N
(x3)
BINDING HEAD TA
PPING SCREW:3X
8

40.M2052209
LIGHT SHIELDING
PLATE:DISCHARG
E LAMP

U001	U002	U003	U004	U005	U006	U007	U008	U009	U010	U011	U012	U013	U014	U015	U016	U017
------	------	------	------	------	------	------	------	------	------	------	------	------	------	------	------	------

U002_S006
DUCT:CHARGE:ASS'Y

16.B2342440
LED ARRAY - QL
202202-02



13.11050600
(x3)
CLAMP:LWSM-030
6-2M



12.11026283(x 1)
CONNECTOR - 2P



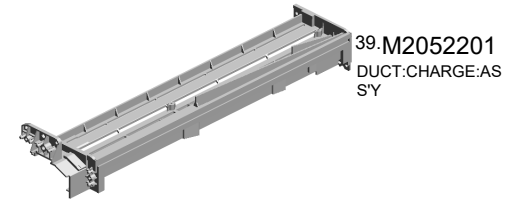
6.04593008N
(x3)
BINDING HEAD TA
PPING SCREW:3X
8

40.M2052209
LIGHT SHIELDING
PLATE:DISCHARG
E LAMP

U001	U002	U003	U004	U005	U006	U007	U008	U009	U010	U011	U012	U013	U014	U015	U016	U017
------	------	------	------	------	------	------	------	------	------	------	------	------	------	------	------	------

U002_S007
DUCT:CHARGE:ASS'Y

16.B2342440
LED ARRAY - QL
202202-02



39.M2052201
DUCT:CHARGE:AS
SY

13.11050600
(x3)
CLAMP:LWSM-030
6-2M



12.11026283(x 1)
CONNECTOR - 2P



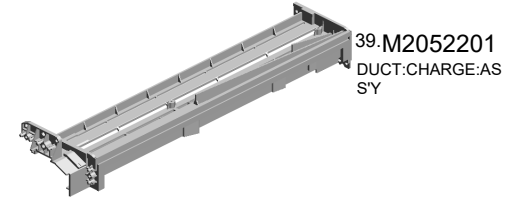
6.04593008N
(x3)
BINDING HEAD TA
PPING SCREW:3X
8

40.M2052209
LIGHT SHIELDING
PLATE:DISCHARG
E LAMP

U001	U002	U003	U004	U005	U006	U007	U008	U009	U010	U011	U012	U013	U014	U015	U016	U017
------	------	------	------	------	------	------	------	------	------	------	------	------	------	------	------	------

U002_S008
DUCT:CHARGE:ASS'Y

16.B2342440
LED ARRAY - QL
202202-02



39.M2052201
DUCT:CHARGE:AS
SY

13.11050600
(x3)
CLAMP:LWSM-030
6-2M



12.11026283(x 1)
CONNECTOR - 2P



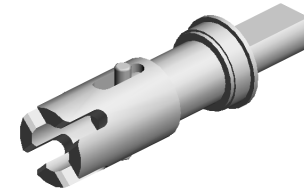
6.04593008N
(x3)
BINDING HEAD TA
PPING SCREW:3X
8

40.M2052209
LIGHT SHIELDING
PLATE:DISCHARG
E LAMP

U001	U002	U003	U004	U005	U006	U007	U008	U009	U010	U011	U012	U013	U014	U015	U016	U017
------	------	------	------	------	------	------	------	------	------	------	------	------	------	------	------	------

U002_S009
SHAFT:CLEANER:CHARGE:DRIVE:ASS'Y

10.07413706
BALL BEARING - 6
X10X3



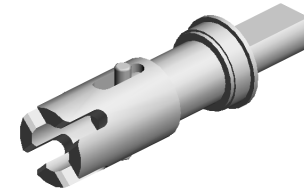
24.D1792239
SHAFT:CLEANER:
CHARGE:DRIVE:A
SS'Y

9.07200040E (x 1)
RETAINING RING - M4

U001	U002	U003	U004	U005	U006	U007	U008	U009	U010	U011	U012	U013	U014	U015	U016	U017
------	-------------	------	------	------	------	------	------	------	------	------	------	------	------	------	------	------

U002_S010
SHAFT:CLEANER:CHARGE:DRIVE:ASS'Y

10.07413706
BALL BEARING - 6
X10X3



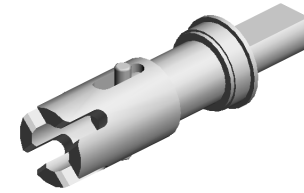
24.D1792239
SHAFT:CLEANER:
CHARGE:DRIVE:A
SS'Y

9.07200040E (x 1)
RETAINING RING - M4

U001	U002	U003	U004	U005	U006	U007	U008	U009	U010	U011	U012	U013	U014	U015	U016	U017
------	-------------	------	------	------	------	------	------	------	------	------	------	------	------	------	------	------

U002_S011
SHAFT:CLEANER:CHARGE:DRIVE:ASS'Y

10.07413706
BALL BEARING - 6
X10X3



24.D1792239
SHAFT:CLEANER:
CHARGE:DRIVE:A
SS'Y

9.07200040E (x 1)
RETAINING RING - M4

U001	U002	U003	U004	U005	U006	U007	U008	U009	U010	U011	U012	U013	U014	U015	U016	U017
------	-------------	------	------	------	------	------	------	------	------	------	------	------	------	------	------	------

U002_S012
SHAFT:CLEANER:CHARGE:DRIVE:ASS'Y

10.07413706
BALL BEARING - 6
X10X3



24.D1792239
SHAFT:CLEANER:
CHARGE:DRIVE:A
SS'Y

9.07200040E (x 1)
RETAINING RING - M4

U001	U002	U003	U004	U005	U006	U007	U008	U009	U010	U011	U012	U013	U014	U015	U016	U017
------	-------------	------	------	------	------	------	------	------	------	------	------	------	------	------	------	------

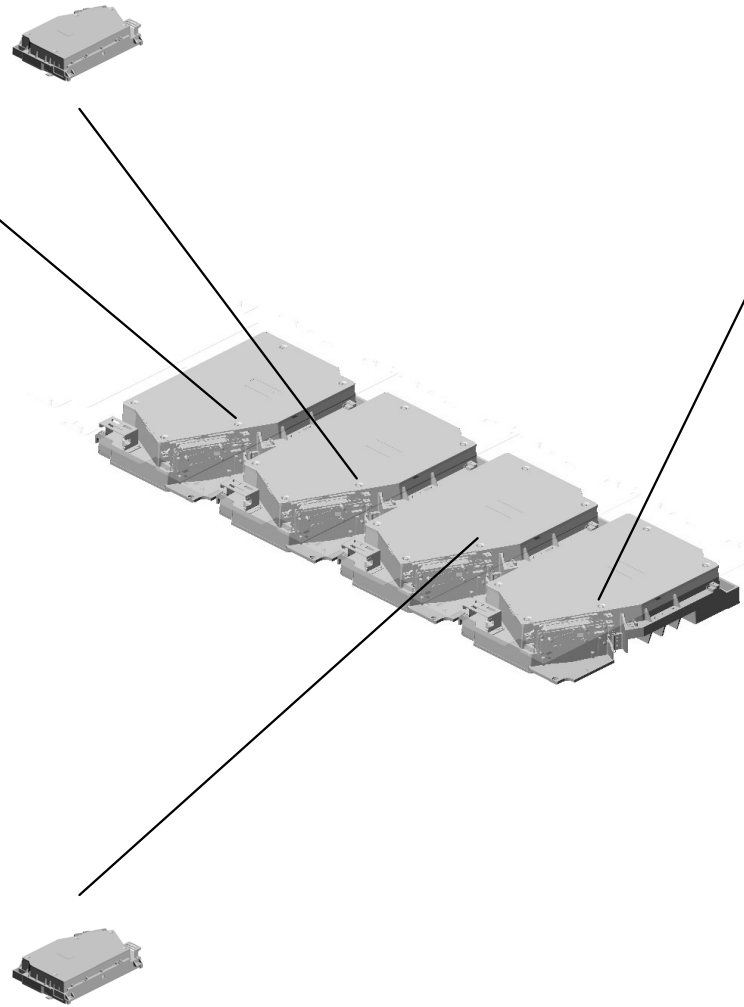
U003.LASER UNIT

U003 S002
M2052003
OPTICAL WRITING UNIT:ASS
Y

U003 S001
M2052003
OPTICAL WRITING UNIT:ASS
Y

U003 S004
M2052003
OPTICAL WRITING UNIT:ASS
Y

U003 S003
M2052003
OPTICAL WRITING UNIT:ASS
Y

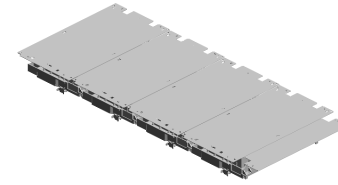


U001	U002	U003	U004	U005	U006	U007	U008	U009	U010	U011	U012	U013	U014	U015	U016	U017
------	------	------	------	------	------	------	------	------	------	------	------	------	------	------	------	------

U003 LASER UNIT

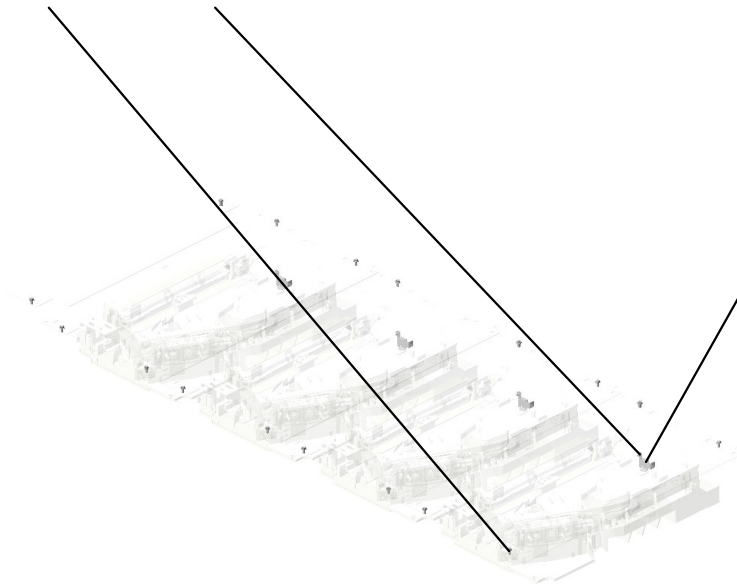
3-03604008N (x17)
SCREW - M4X8

2-03603006N (x4)
SCREW - M3X6



2-03603006N (x16)
SCREW - M3X6

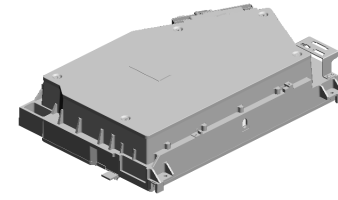
11-M2052070
(x4)
COVER:SHIELD GL
ASS



U001	U002	U003	U004	U005	U006	U007	U008	U009	U010	U011	U012	U013	U014	U015	U016	U017
------	------	------	------	------	------	------	------	------	------	------	------	------	------	------	------	------

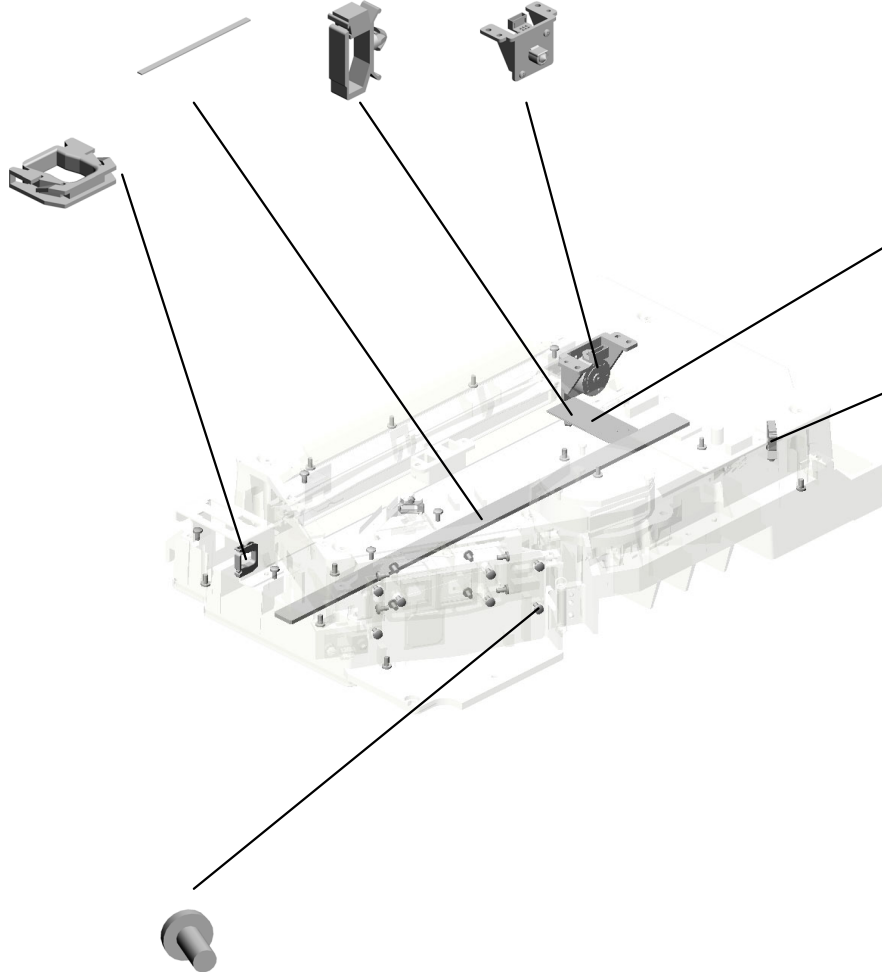
U003_S001
OPTICAL WRITING UNIT:ASS'Y

12.M0B12063 SHIELD GLASS:AS S'Y 202007-07 X/O
5.11050760 (x2) CLAMP:LWSM-051 1A
7.D0741920 DC STEPPER MOT OR:ASS'Y



9.M2052003
OPTICAL WRITING
UNIT:ASS'Y

4.11050724
CLAMPS:WES-121
0



8.G0291980
DECAL - LD

6.11050763
CLAMP:LWS-1211A



5.11050760
(x4)
CLAMP:LWSM-051
1A



6.11050763
(x3)
CLAMP:LWS-1211A

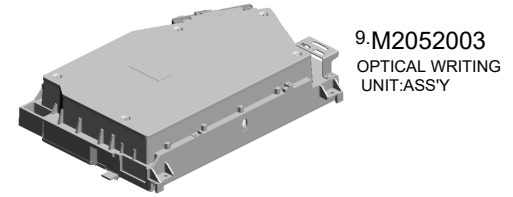
1.03530060N(x26)
BIND SCREW - M3X6

1.03530060N
(x32)
BIND SCREW - M3
X6

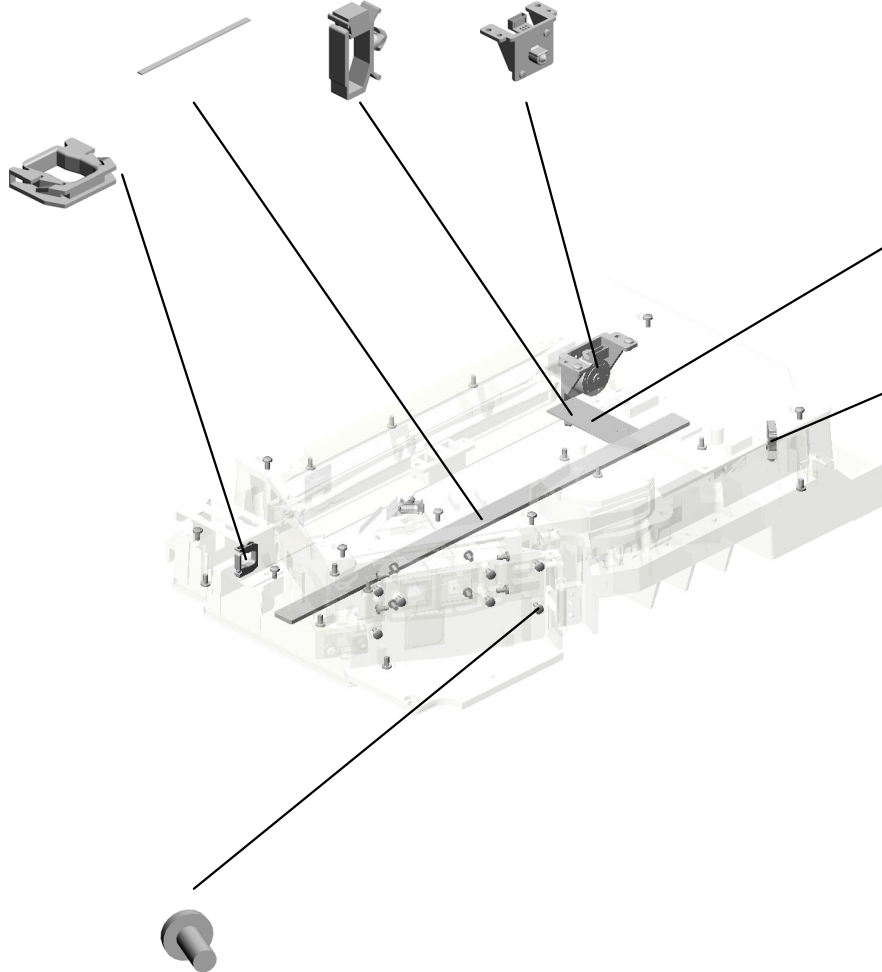
U001	U002	U003	U004	U005	U006	U007	U008	U009	U010	U011	U012	U013	U014	U015	U016	U017
------	------	------	------	------	------	------	------	------	------	------	------	------	------	------	------	------

U003_S002
OPTICAL WRITING UNIT:ASS'Y

12.M0B12063 SHIELD GLASS:AS S'Y 202007-07 X/O
5.11050760 (x2) CLAMP:LWSM-051 1A
7.D0741920 DC STEPPER MOT OR:ASS'Y



4.11050724
CLAMPS:WES-1210



8.G0291980
DECAL - LD

6.11050763
CLAMP:LWS-1211A

5.11050760 (x4) CLAMP:LWSM-051 1A
6.11050763 (x3) CLAMP:LWS-1211A

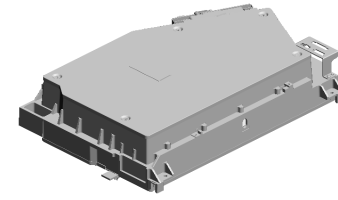
1.03530060N(x20)
BIND SCREW - M3X6

1.03530060N
(x38)
BIND SCREW - M3 X6

U001	U002	U003	U004	U005	U006	U007	U008	U009	U010	U011	U012	U013	U014	U015	U016	U017
------	------	------	------	------	------	------	------	------	------	------	------	------	------	------	------	------

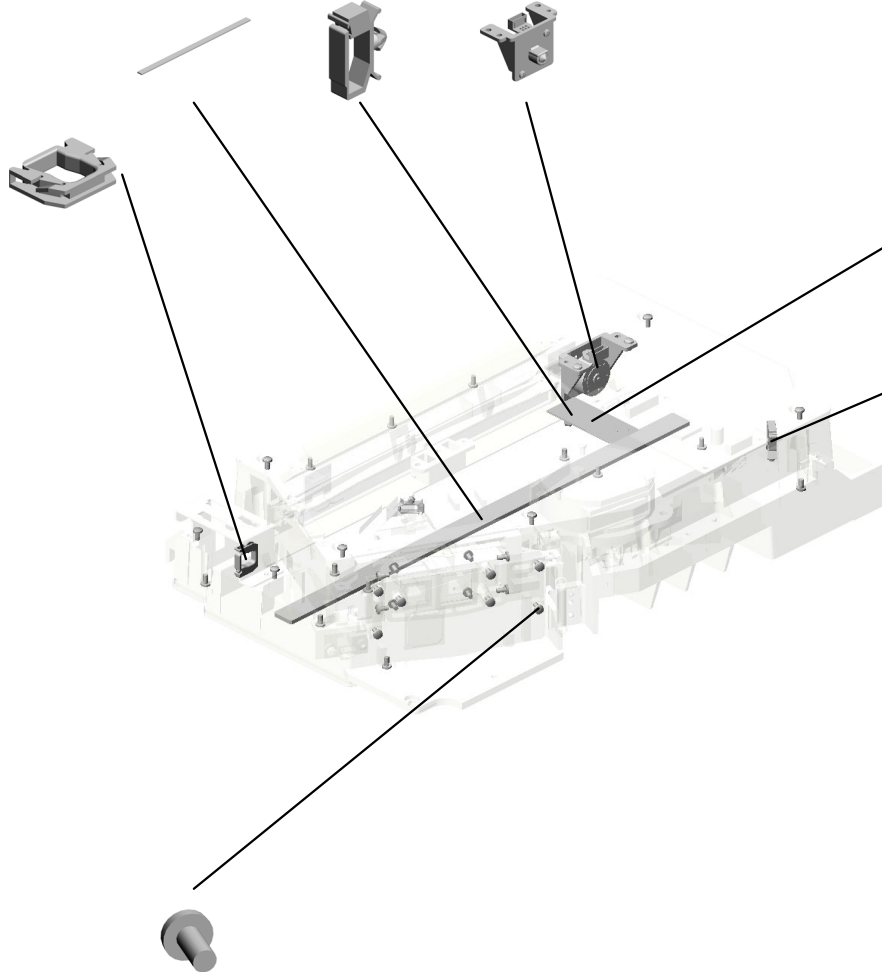
U003_S003
OPTICAL WRITING UNIT:ASS'Y

12.M0B12063 SHIELD GLASS:AS S'Y 202007-07 X/O
5.11050760 (x2) CLAMP:LWSM-051 1A
7.D0741920 DC STEPPER MOT OR:ASS'Y



9.M2052003
OPTICAL WRITING UNIT:ASS'Y

4.11050724
CLAMPS:WES-1210



8.G0291980
DECAL - LD

6.11050763
CLAMP:LWS-1211A



5.11050760
(x4)
CLAMP:LWSM-051 1A



6.11050763
(x3)
CLAMP:LWS-1211A

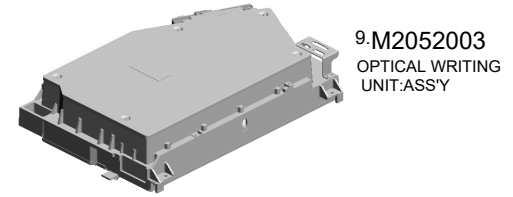
1.03530060N(x21)
BIND SCREW - M3X6

1.03530060N
(x37)
BIND SCREW - M3 X6

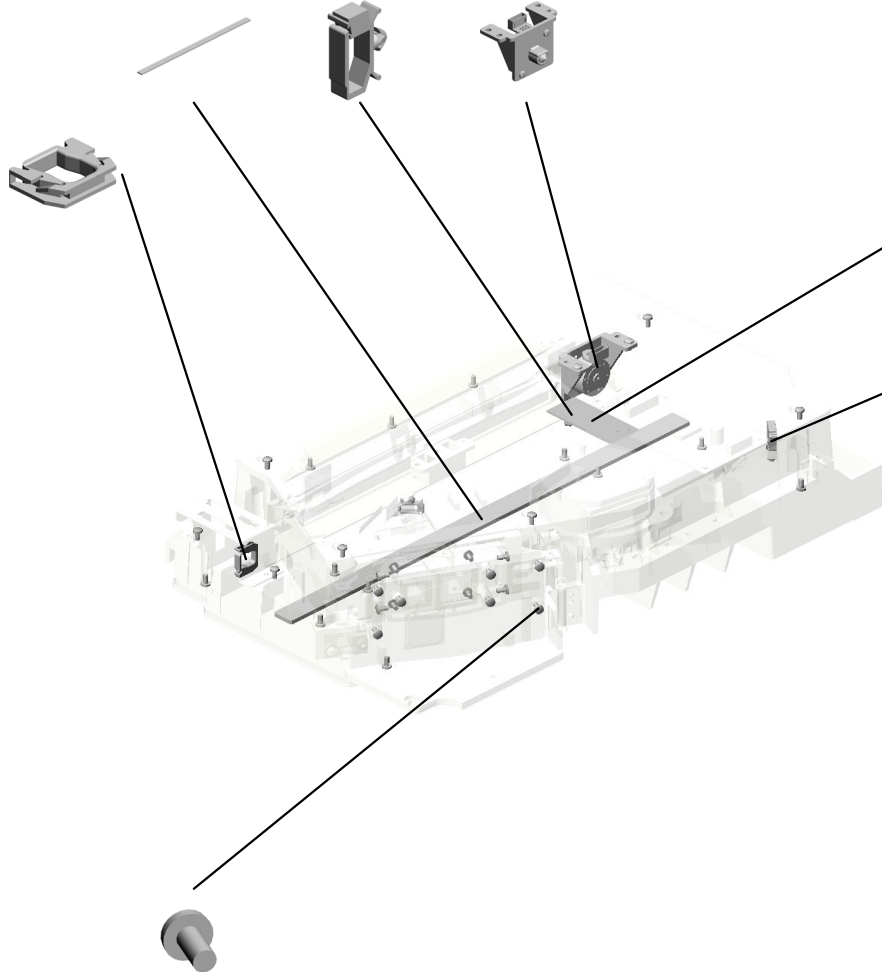
U001	U002	U003	U004	U005	U006	U007	U008	U009	U010	U011	U012	U013	U014	U015	U016	U017
------	------	------	------	------	------	------	------	------	------	------	------	------	------	------	------	------

U003_S004
OPTICAL WRITING UNIT:ASS'Y

12.M0B12063 SHIELD GLASS:AS S'Y 202007-07 X/O
5.11050760 (x2) CLAMP:LWSM-051 1A
7.D0741920 DC STEPPER MOT OR:ASS'Y



4.11050724
CLAMPS:WES-1210



8.G0291980
DECAL - LD

6.11050763
CLAMP:LWS-1211A

5.11050760
(x4)
CLAMP:LWSM-051 1A

6.11050763
(x3)
CLAMP:LWS-1211A

1.03530060N(x21)
BIND SCREW - M3X6

1.03530060N
(x37)
BIND SCREW - M3 X6

U001	U002	U003	U004	U005	U006	U007	U008	U009	U010	U011	U012	U013	U014	U015	U016	U017
------	------	------	------	------	------	------	------	------	------	------	------	------	------	------	------	------

U004.TONER SUPPLY

U004 S002
M2053102
TONER HOPPER:TONER SU
PPLY:ASS'Y

U004 S003
M2053102
TONER HOPPER:TONER SU
PPLY:ASS'Y

U004 S001
M2053102
TONER HOPPER:TONER SU
PPLY:ASS'Y

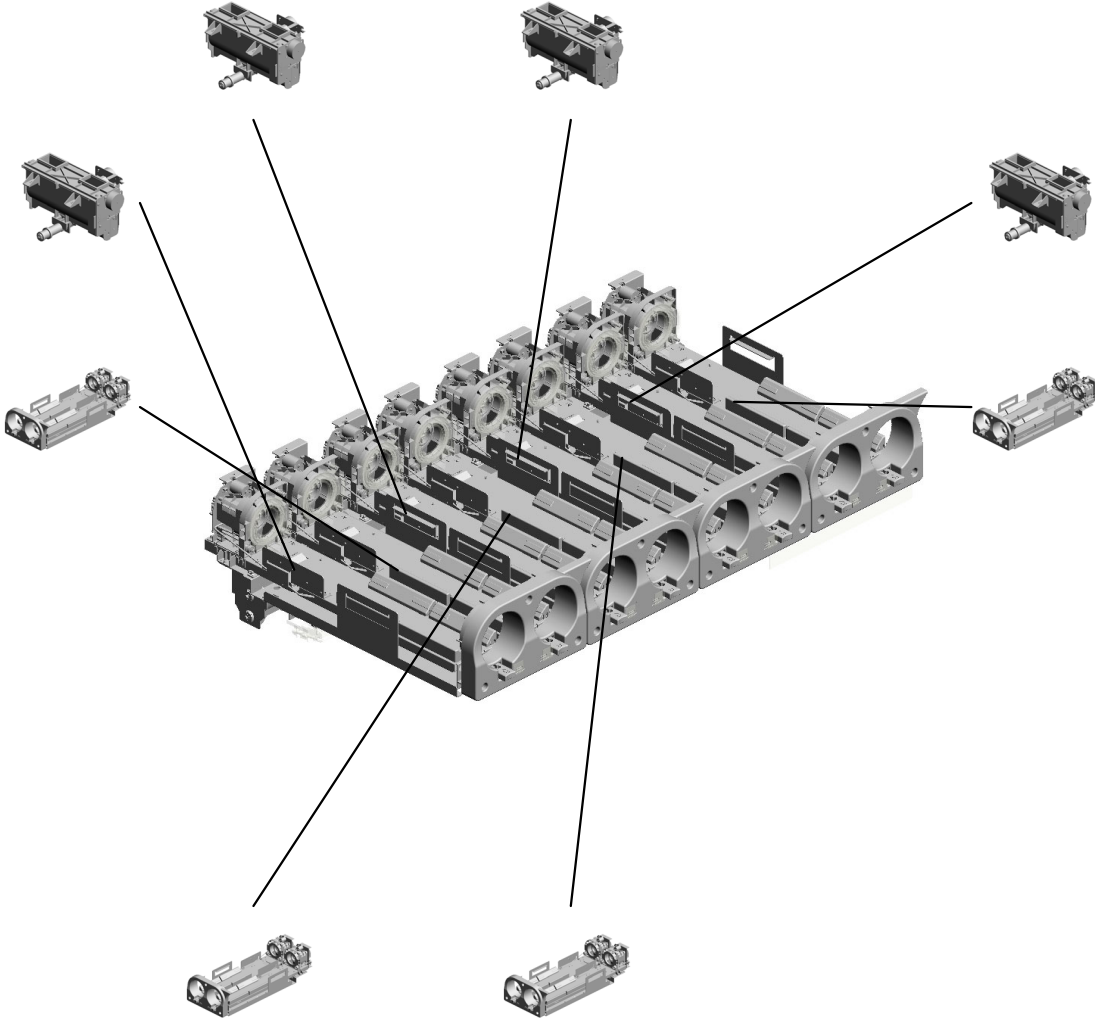
U004 S004
M2053102
TONER HOPPER:TONER SU
PPLY:ASS'Y

U004 S008
M2053119
TONER BANK:KANAN:ASS'Y

U004 S005
M2053119
TONER BANK:KANAN:ASS'Y

U004 S007
M2053119
TONER BANK:KANAN:ASS'Y

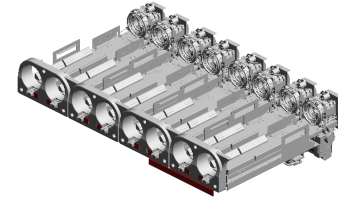
U004 S006
M2053119
TONER BANK:KANAN:ASS'Y



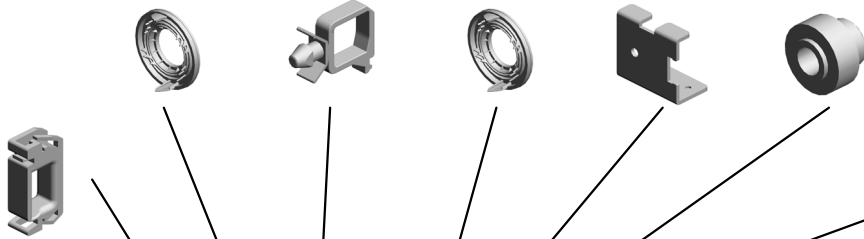
U001	U002	U003	U004	U005	U006	U007	U008	U009	U010	U011	U012	U013	U014	U015	U016	U017
------	------	------	------	------	------	------	------	------	------	------	------	------	------	------	------	------

U004 TONER SUPPLY

- 72.M2053182 (x2) GEAR:TONER BAN
K:RIC:M:ASS'Y
- 21.11050763 (x8) CLAMP:LWS-1211A
- 71.M2053181 (x2) GEAR:TONER BAN
K:RIC:C:ASS'Y
- 66.M2053167 (x8) SUPPORTER:TON
ER BANK:REAR
- 33.AB012005 (x8) GEAR - 13Z



- 18.11050723 (x8) CLAMPS:WES-050
7



- 82.M2053183 (x2) GEAR:TONER BAN
K:RIC:Y:ASS'Y



- 4.03604008N (x24) SCREW - M4X8



- 49.D1793276 (x4) TONER CATCHPA
N:TONER SUPPLY



- 48.D1793275 (x8) COIL SPRING:SHU
TTER:TONER SUP
PLY



- 47.D1793272 (x4) SHUTTER:TONER
SUPPLY:ASSY

- 46.D1793271 (x4) CASE:SHUTTER:T
ONER SUPPLY

- 9.04514008N (x16) TAPPING SCREW:
4X8

- 86.MOB13333 DECAL:DESIGN SK
ETCH:TONER BOT
TLE:LED
201812-02 O/O

- 57.D1943726 (x8) SEAL:GEAR:DRIVE
:TONER BOTTLE

- 70.M2053180 (x2) GEAR:TONER BAN
K:RIC:K:ASS'Y



- 54.D1943603 (x8) GEAR:DRIVE:TON
ER BOTTLE:Z14



- 86.MOB13333 DECAL:DESIGN SK
ETCH:TONER BOT
TLE:LED
201902-02 O/O

- 86.MOB13333 DECAL:DESIGN SK
ETCH:TONER BOT
TLE:LED
201902-01 O/O

- 81.M2053342 DECAL:EXCHANG
E:TONER BOTTLE

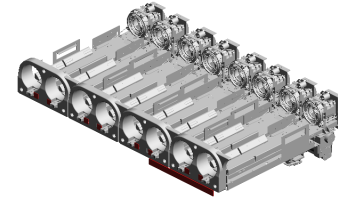
- 4.03604008N (x 4) SCREW - M4X8
- 14.07200040E (x16) RETAINING RING - M4

U001	U002	U003	U004	U005	U006	U007	U008	U009	U010	U011	U012	U013	U014	U015	U016	U017
------	------	------	------	------	------	------	------	------	------	------	------	------	------	------	------	------

U004 TONER SUPPLY

86.M0B13333
DECAL:DESIGN SK
ETCH:TONER BOT
TLE:LED
201810-02 O/O

86.M0B13333
DECAL:DESIGN SK
ETCH:TONER BOT
TLE:LED
201810-03 O/O

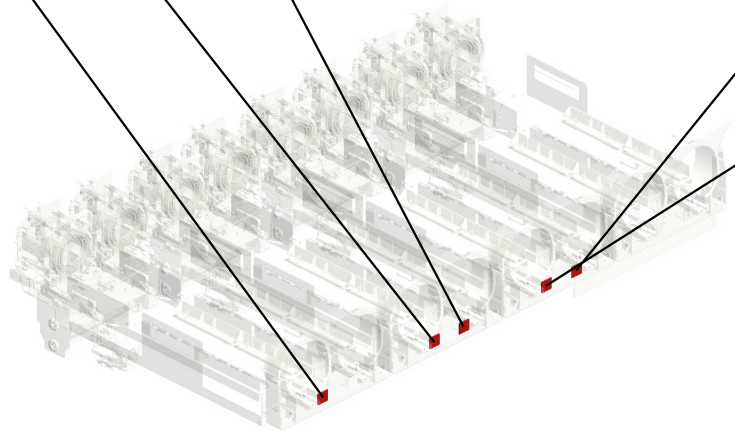


86.M0B13333
DECAL:DESIGN SK
ETCH:TONER BOT
TLE:LED
201812-03 O/O



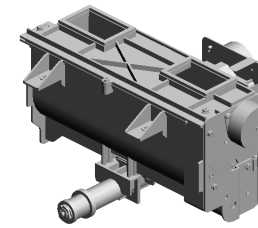
86.M0B13333
DECAL:DESIGN SK
ETCH:TONER BOT
TLE:LED
201812-04 O/O

86.M0B13333
DECAL:DESIGN SK
ETCH:TONER BOT
TLE:LED
201812-05 O/O



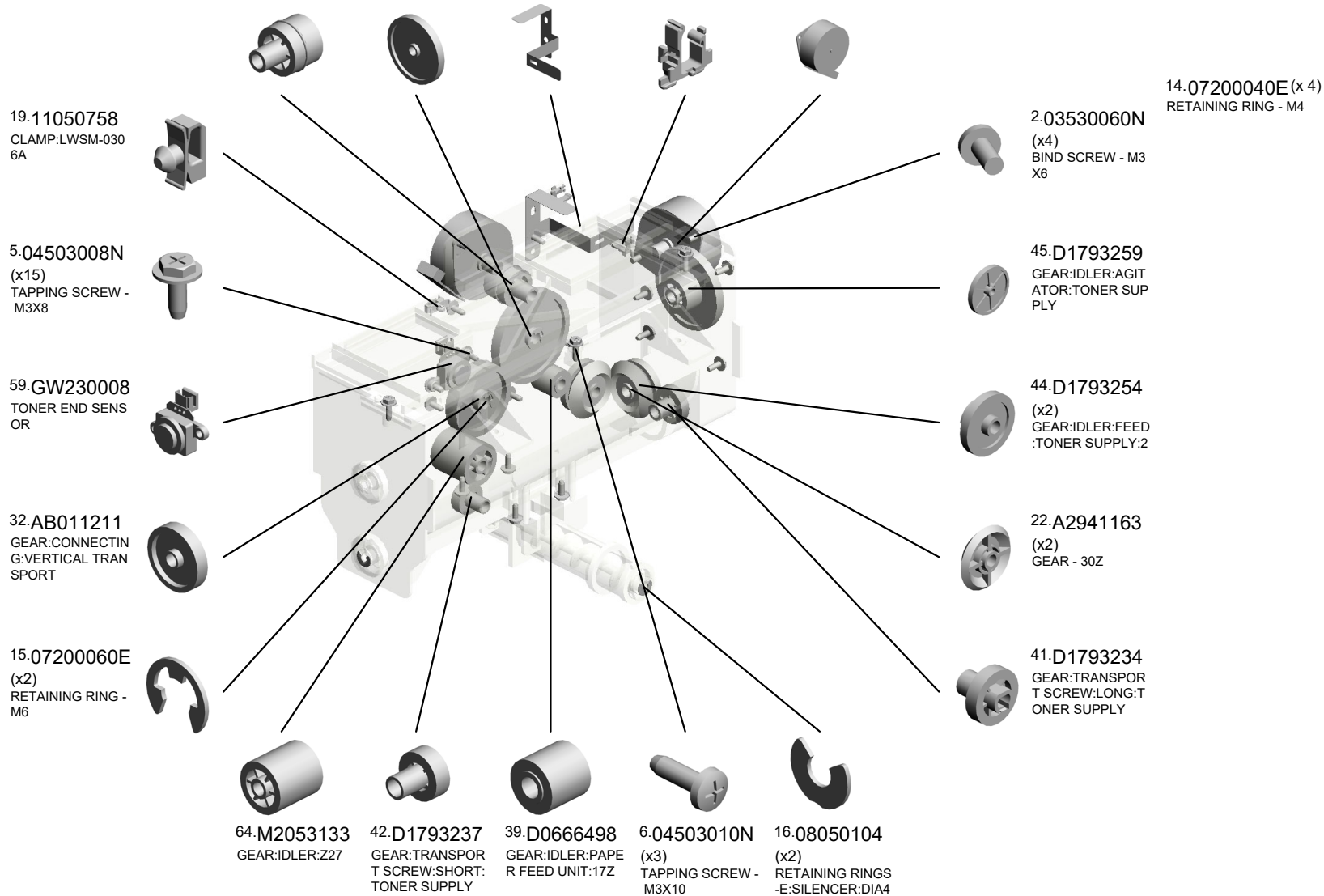
U001	U002	U003	U004	U005	U006	U007	U008	U009	U010	U011	U012	U013	U014	U015	U016	U017
------	------	------	------	------	------	------	------	------	------	------	------	------	------	------	------	------

U004_S001
 TONER HOPPER:TONER SUPPLY:ASS'Y



61.M2053102
 TONER HOPPER:TONER SUPPLY:ASS'Y

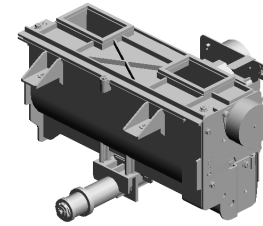
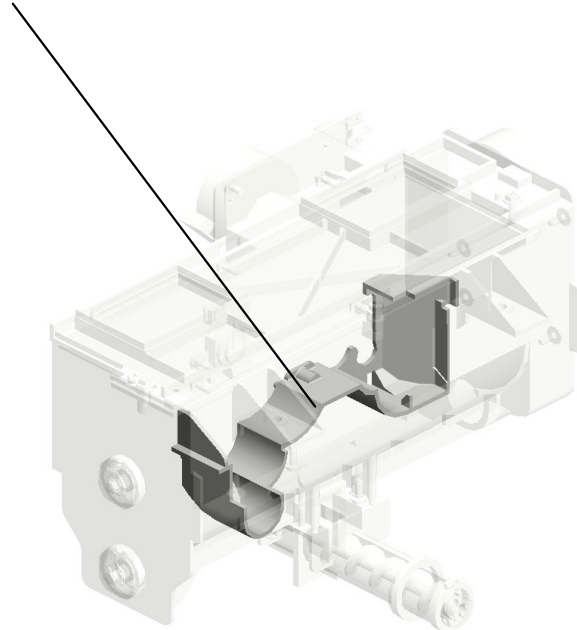
- 43.D1793253 GEAR:IDLER:FEED :TONER SUPPLY:1
- 40.D1496553 GEAR:IDLER:Z61
- 63.M2053127 GROUND PLATE:TONER HOPPER
- 17.11050551 (x2) CLAMP:LES-0505
- 60.GX060019 (x2) STEPPER MOTOR:PM42L048RBG8



U001	U002	U003	U004	U005	U006	U007	U008	U009	U010	U011	U012	U013	U014	U015	U016	U017
------	------	------	------	------	------	------	------	------	------	------	------	------	------	------	------	------

U004_S001
TONER HOPPER:TONER SUPPLY:ASS'Y

65.M2053140
COVER:GEAR:TON
ER SUPPLY



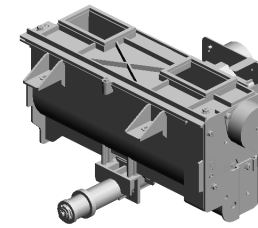
61.M2053102
TONER HOPPER:T
ONER SUPPLY:AS
SY

U001	U002	U003	U004	U005	U006	U007	U008	U009	U010	U011	U012	U013	U014	U015	U016	U017
------	------	------	------	------	------	------	------	------	------	------	------	------	------	------	------	------

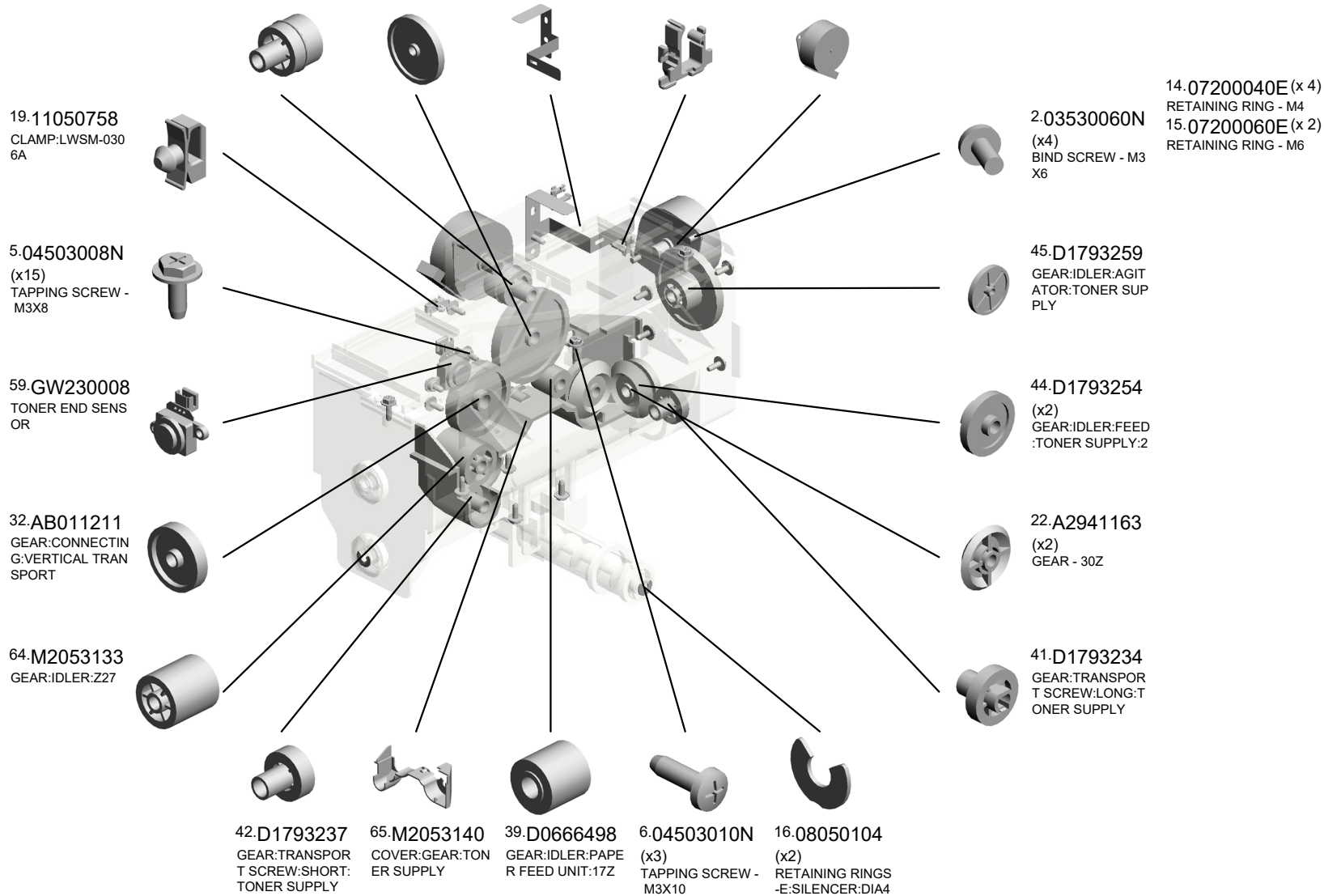
U004_S002

TONER HOPPER:TONER SUPPLY:ASS'Y

- 43.D1793253 GEAR:IDLER:FEED :TONER SUPPLY:1
- 40.D1496553 GEAR:IDLER:Z61
- 63.M2053127 GROUND PLATE:T ONER HOPPER
- 17.11050551 (x2) CLAMP:LES-0505
- 60.GX060019 (x2) STEPPER MOTOR: PM42L048RBG8



61.M2053102
TONER HOPPER:T
ONER SUPPLY:AS
S'Y

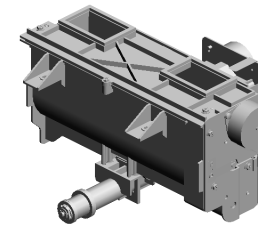


U001	U002	U003	U004	U005	U006	U007	U008	U009	U010	U011	U012	U013	U014	U015	U016	U017
------	------	------	------	------	------	------	------	------	------	------	------	------	------	------	------	------

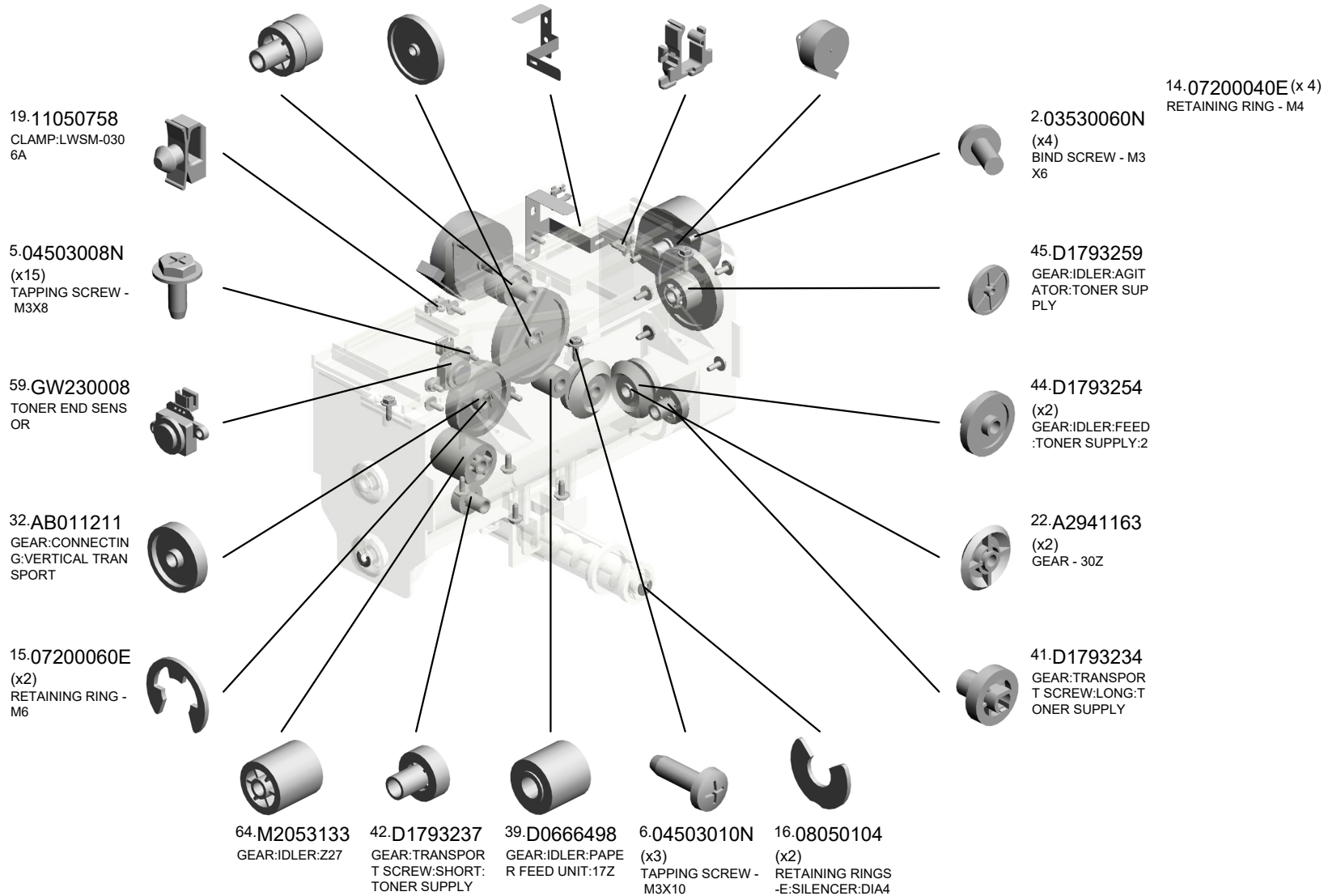
U004_S003

TONER HOPPER:TONER SUPPLY:ASS'Y

- 43.D1793253 GEAR:IDLER:FEED :TONER SUPPLY:1
- 40.D1496553 GEAR:IDLER:Z61
- 63.M2053127 GROUND PLATE:T ONER HOPPER
- 17.11050551 (x2) CLAMP:LES-0505
- 60.GX060019 (x2) STEPPER MOTOR: PM42L048RBG8



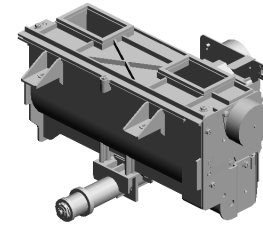
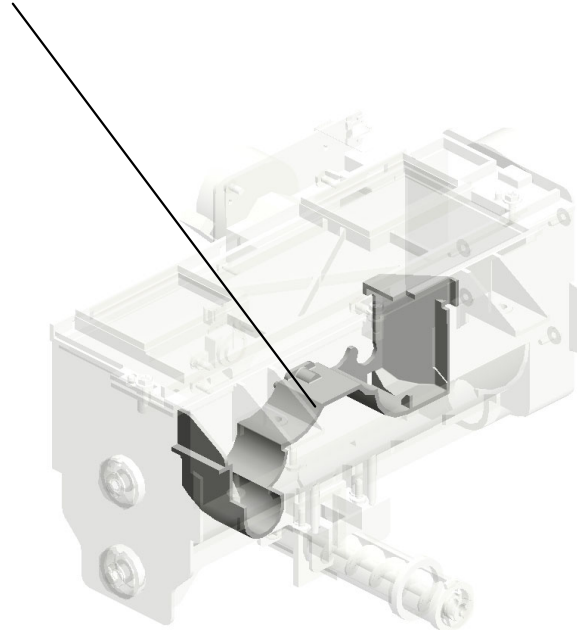
61.M2053102
TONER HOPPER:T
ONER SUPPLY:AS
S'Y



U001	U002	U003	U004	U005	U006	U007	U008	U009	U010	U011	U012	U013	U014	U015	U016	U017
------	------	------	------	------	------	------	------	------	------	------	------	------	------	------	------	------

U004_S003
TONER HOPPER:TONER SUPPLY:ASS'Y

65.M2053140
COVER:GEAR:TON
ER SUPPLY



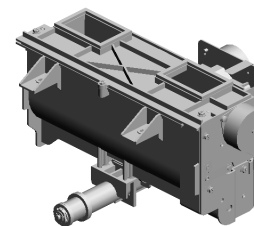
61.M2053102
TONER HOPPER:T
ONER SUPPLY:AS
SY

U001	U002	U003	U004	U005	U006	U007	U008	U009	U010	U011	U012	U013	U014	U015	U016	U017
------	------	------	-------------	------	------	------	------	------	------	------	------	------	------	------	------	------

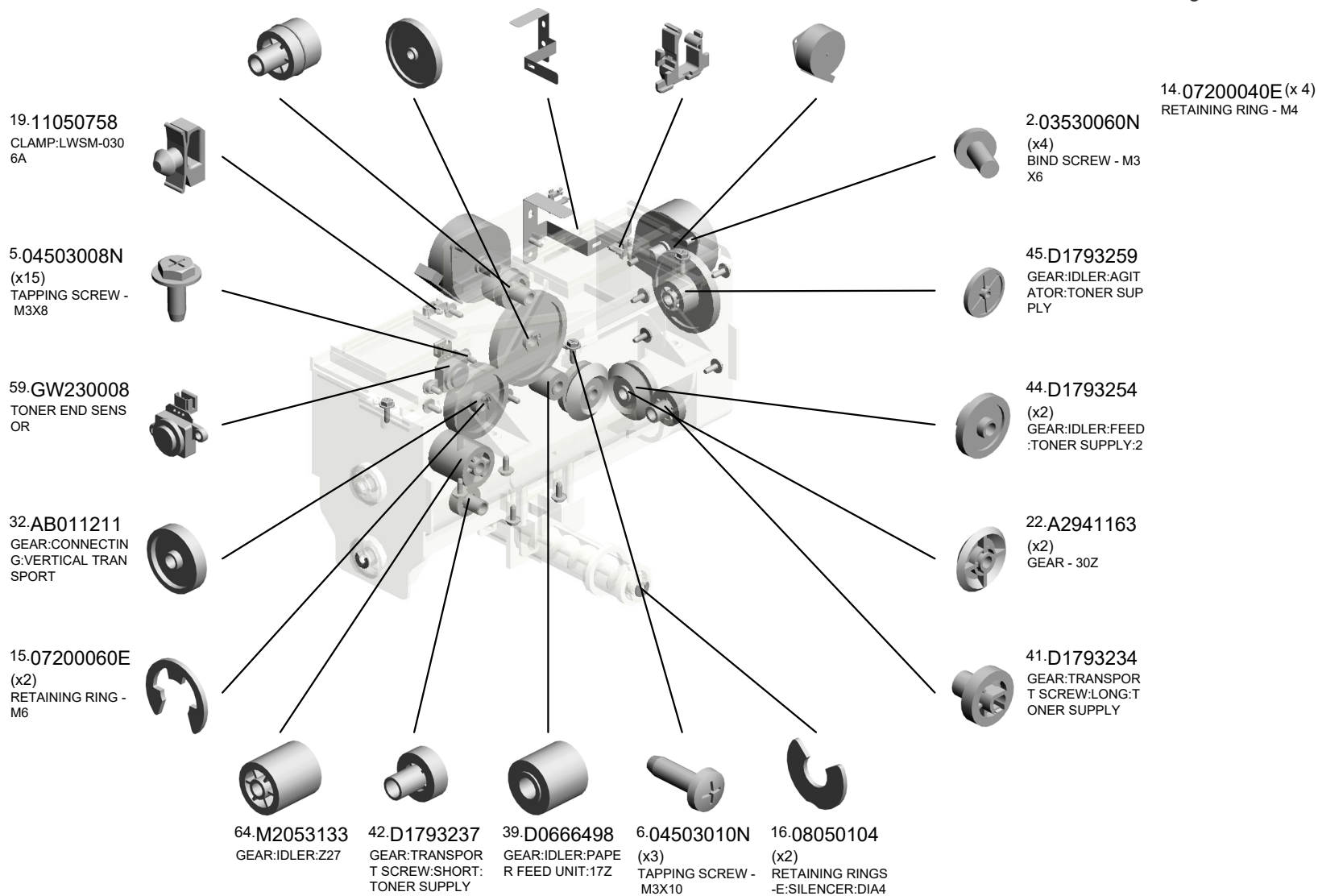
U004_S004

TONER HOPPER:TONER SUPPLY:ASS'Y

- 43.D1793253 GEAR:IDLER:FEED :TONER SUPPLY:1
- 40.D1496553 GEAR:IDLER:Z61
- 63.M2053127 GROUND PLATE:T ONER HOPPER
- 17.11050551 (x2) CLAMP:LES-0505
- 60.GX060019 (x2) STEPPER MOTOR: PM42L048RBG8



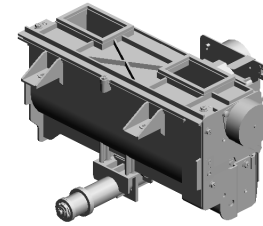
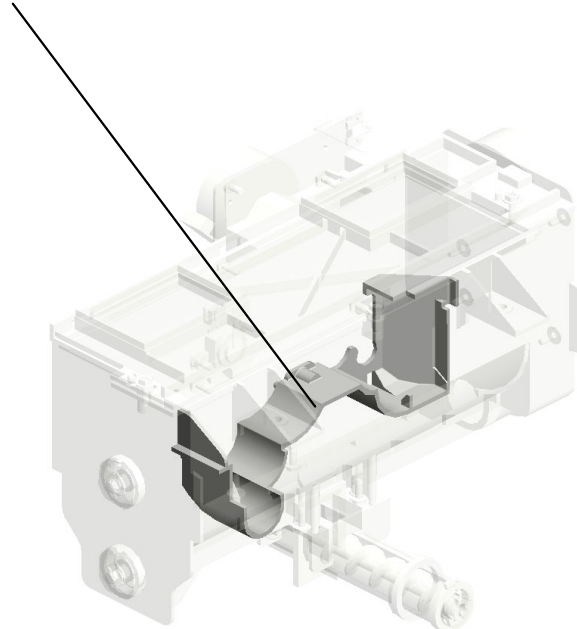
61.M2053102
TONER HOPPER:T
ONER SUPPLY:AS
S'Y



U001	U002	U003	U004	U005	U006	U007	U008	U009	U010	U011	U012	U013	U014	U015	U016	U017
------	------	------	------	------	------	------	------	------	------	------	------	------	------	------	------	------

U004_S004
TONER HOPPER:TONER SUPPLY:ASS'Y

65.M2053140
COVER:GEAR:TON
ER SUPPLY

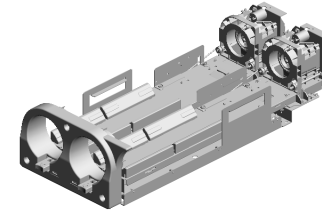


61.M2053102
TONER HOPPER:T
ONER SUPPLY:AS
SY

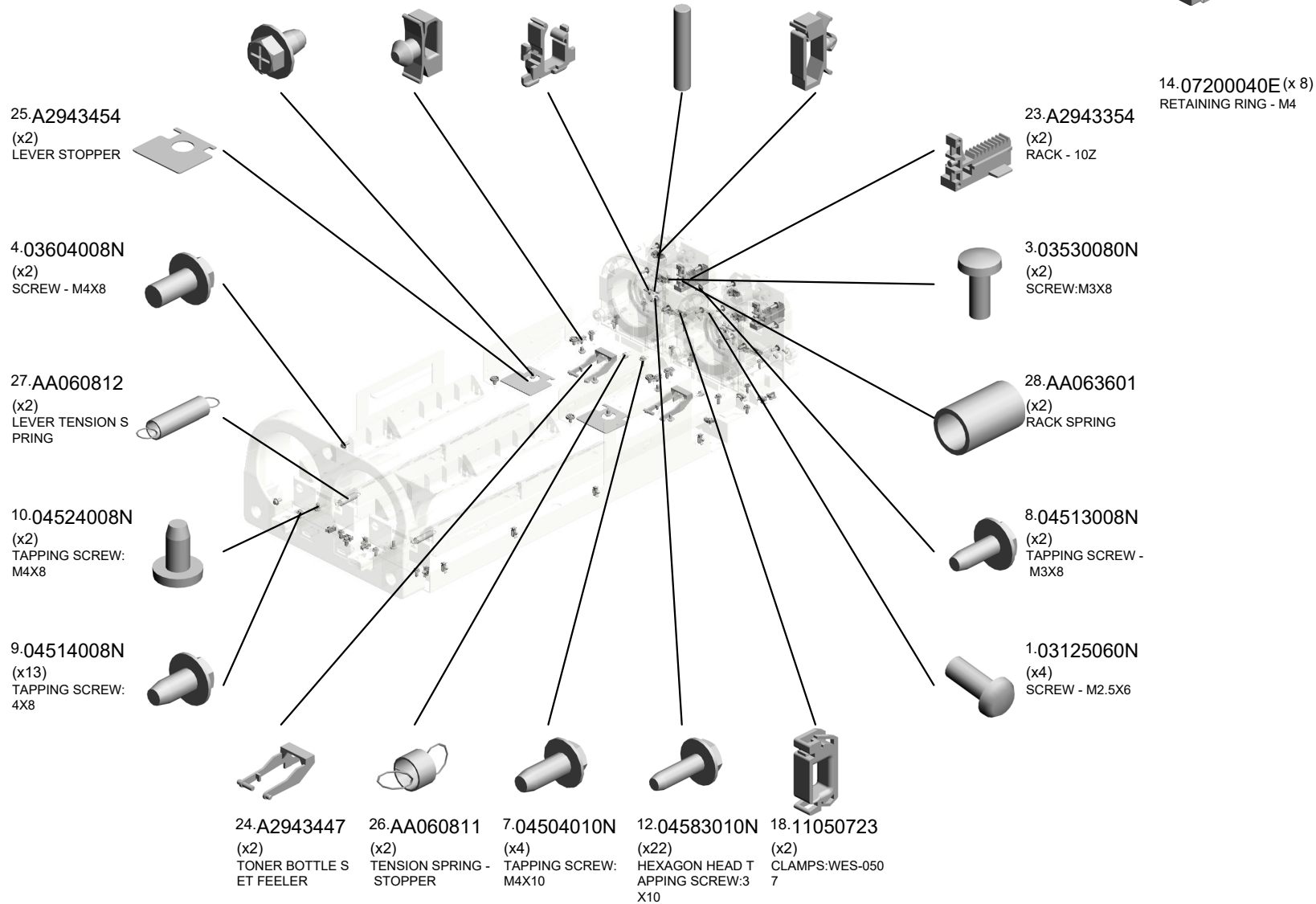
U001	U002	U003	U004	U005	U006	U007	U008	U009	U010	U011	U012	U013	U014	U015	U016	U017
------	------	------	-------------	------	------	------	------	------	------	------	------	------	------	------	------	------

U004_S005
TONER BANK:KANAN:ASS'Y

- 11.04544006Q (x6) TAPPING SCREW: 4X6
- 19.11050758 (x14) CLAMP:LWSM-030 6A
- 17.11050551 (x3) CLAMP:LES-0505
- 13.06330160G (x2) PARALLEL PIN - 3X 16MM
- 20.11050760 (x6) CLAMP:LWSM-051 1A

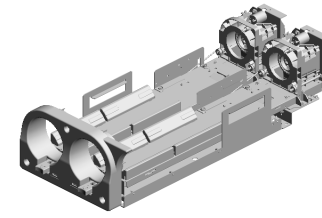


84.M2053119
[A]
TONER BANK:KANAN:ASS'Y
201802-02 X/O

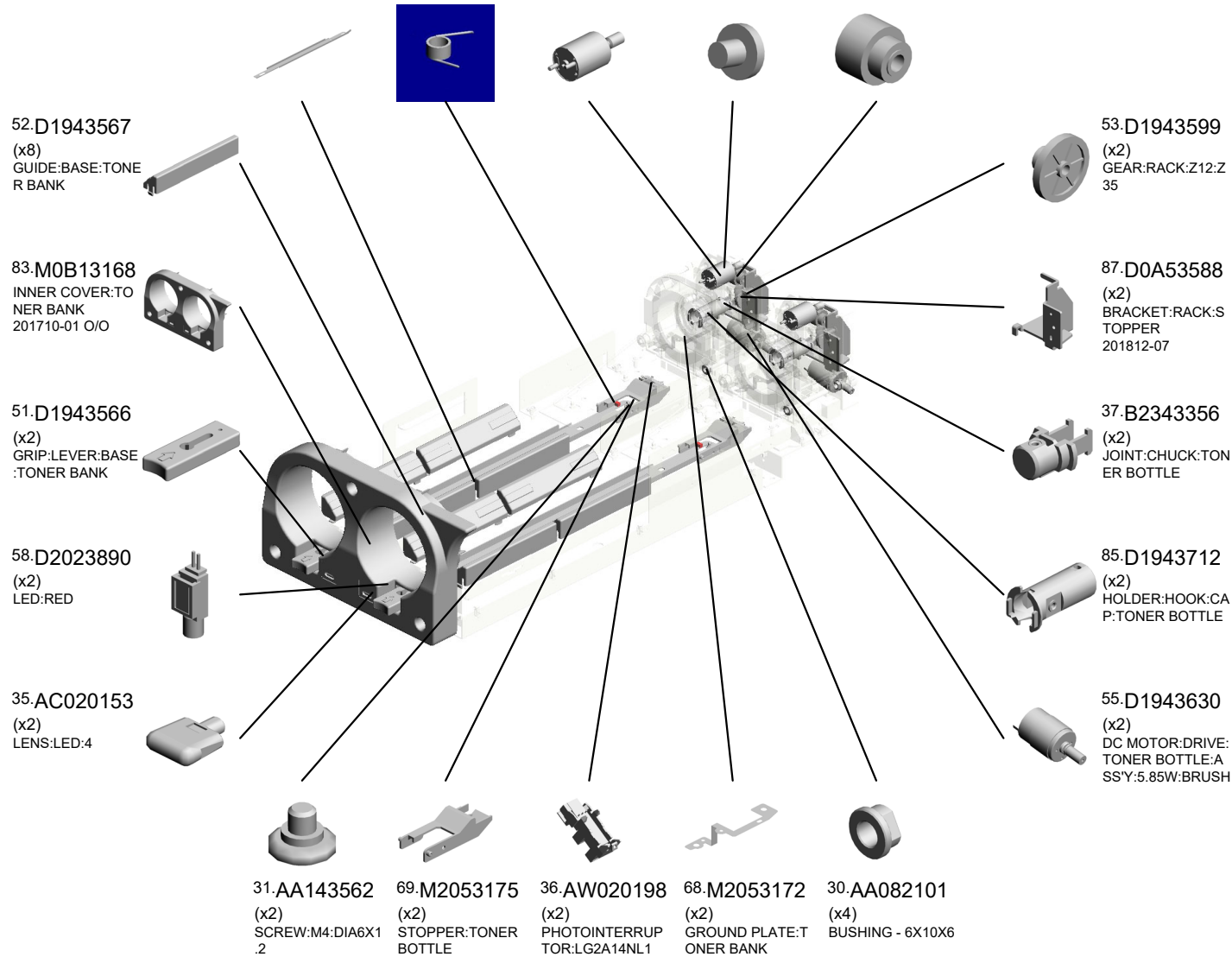


U004_S005
 TONER BANK:KANAN:ASS'Y

- 50.D1943564 (x2) LEVER:BASE:TONER BANK
- 29.AA066320 (x2) FEELER TORTION SPRING
- 56.D1943632 (x2) DC MOTOR:SLIDE R:TONER BANK:ASS'Y:4.2W:BRUSH
- 38.D0393368 (x4) SCREW:M3X3.5
- 34.AB017515 (x2) DOUBLE GEAR - 1/2/23Z

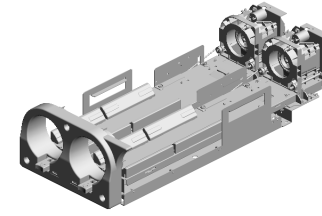


84.M2053119
 [A]
 TONER BANK:KANAN:ASS'Y
 201802-02 X/O



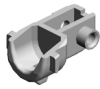
U004_S005
 TONER BANK:KANAN:ASS'Y

- 92.D1943716 (x2) HOOK:UPPER:CAP :TONER BOTTLE
- 91.D0A53710 (x2) SEAL:REAR:SLIDE R:TONER BANK:T6
- 94.D1943715 (x2) TORSION SPRING: HOOK:CAP:TONER BOTTLE



84.M2053119
 [A]
 TONER BANK:KAN AN:ASS'Y
 201802-02 X/O

93.D1943714 (x2) HOOK:CAP:TONER BOTTLE



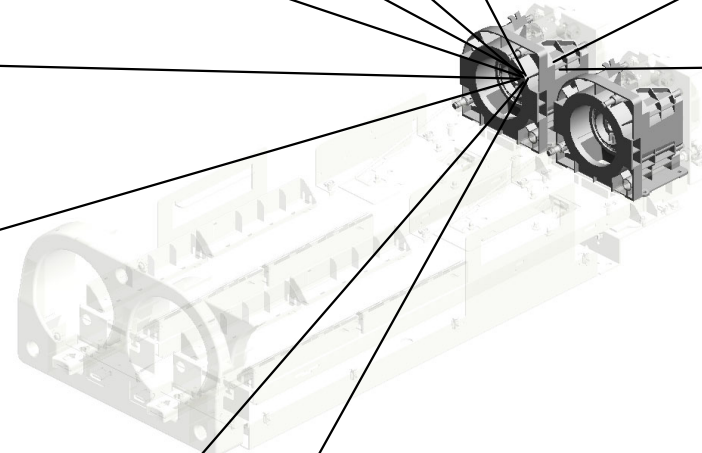
95.D1943723 (x2) COMPRESSION SPRING:RACK:HOOK



89.D1943708 (x2) SEAL:INNER:SLIDER:TONER BANK



90.D1943709 (x2) SEAL:OUTER:SLIDER:TONER BANK



96.M2053174 (x2) HOLDER:COIL SPRING:AUXILIARY



97.D1943702 (x2) HOUSING:TONER BANK



88.D1943707 (x2) SLIDER:TONER BANK

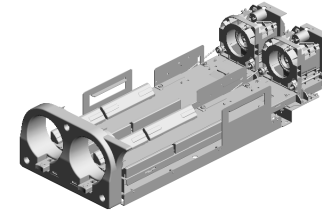


M2053108
 [A]
 TONER BANK:KAN AN:ASS'Y
 201802-02 X/O

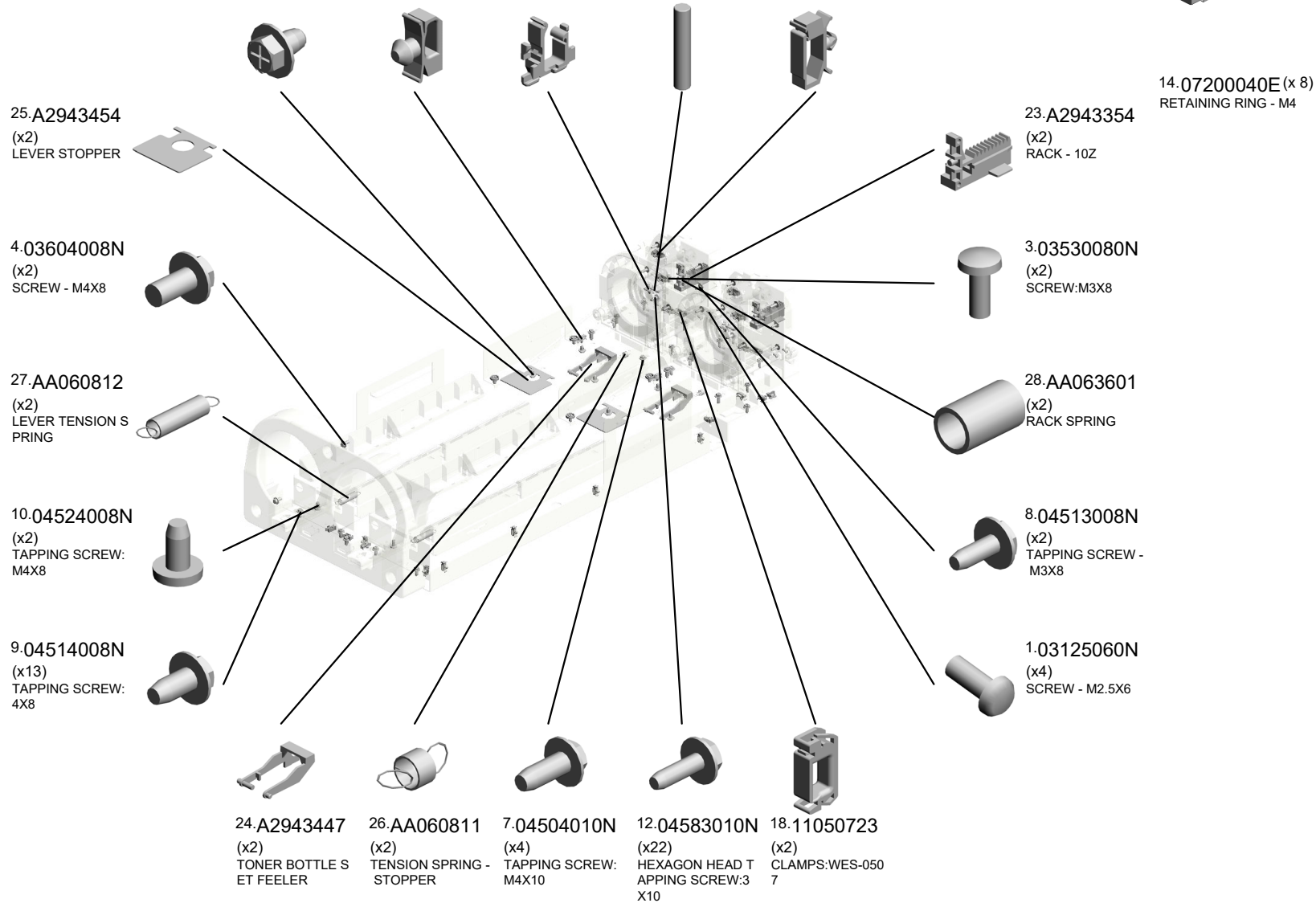
U001	U002	U003	U004	U005	U006	U007	U008	U009	U010	U011	U012	U013	U014	U015	U016	U017
------	------	------	------	------	------	------	------	------	------	------	------	------	------	------	------	------

U004_S006
TONER BANK:KANAN:ASS'Y

- 11.04544006Q (x6) TAPPING SCREW: 4X6
- 19.11050758 (x14) CLAMP:LWSM-030 6A
- 17.11050551 (x3) CLAMP:LES-0505
- 13.06330160G (x2) PARALLEL PIN - 3X 16MM
- 20.11050760 (x6) CLAMP:LWSM-051 1A



84.M2053119
[A]
TONER BANK:KANAN:ASS'Y
201802-02 X/O



U004_S006
TONER BANK:KANAN:ASS'Y

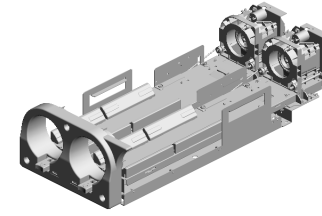
50.D1943564
(x2)
LEVER:BASE:TONER BANK

29.AA066320
(x2)
FEELER TORTION SPRING

56.D1943632
(x2)
DC MOTOR:SLIDE R:TONER BANK:ASS'Y:4.2W:BRUSH

38.D0393368
(x4)
SCREW:M3X3.5

34.AB017515
(x2)
DOUBLE GEAR - 1/2/23Z



84.M2053119
[A]
TONER BANK:KANAN:ASS'Y
201802-02 X/O

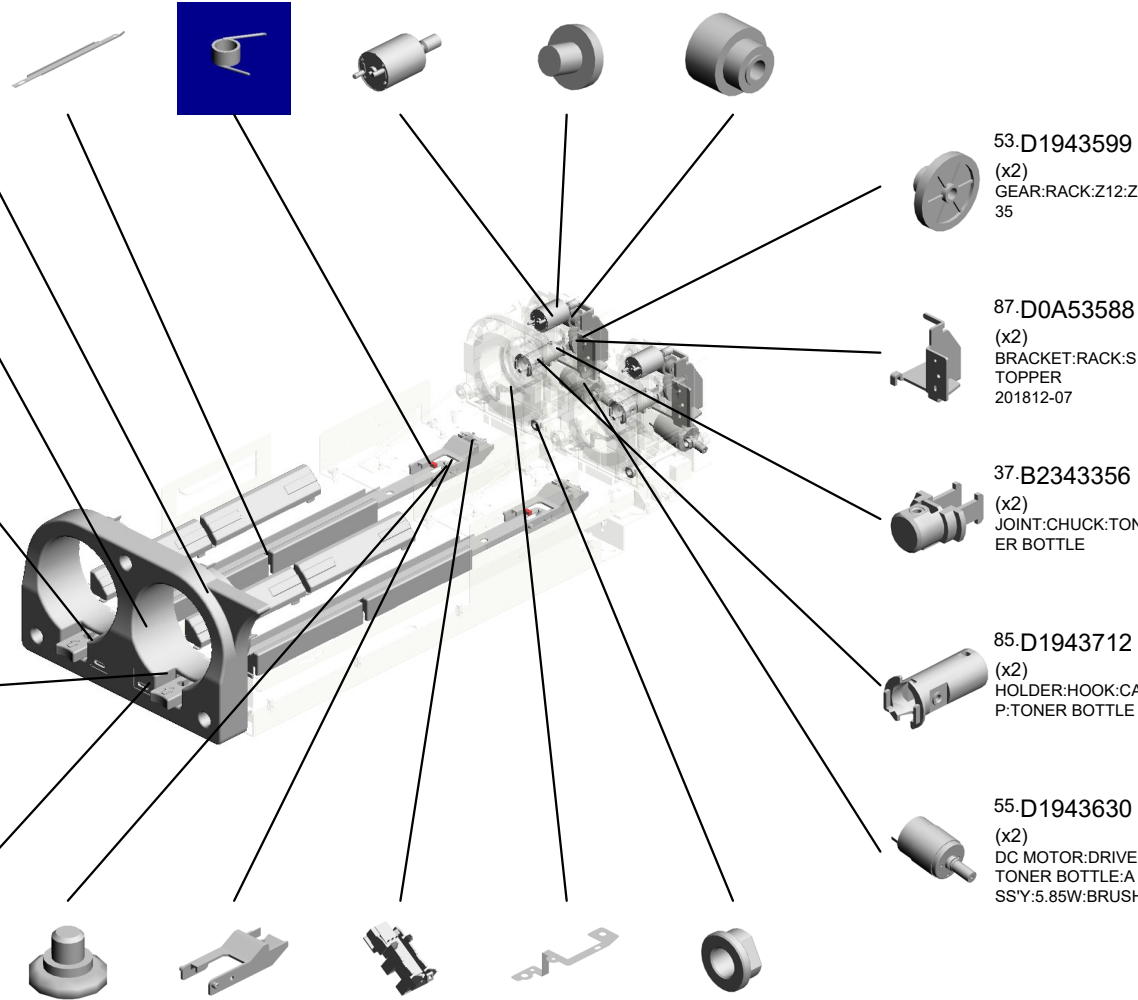
52.D1943567
(x8)
GUIDE:BASE:TONER BANK

83.M0B13168
INNER COVER:TONER BANK
201710-01 O/O

51.D1943566
(x2)
GRIP:LEVER:BASE:TONER BANK

58.D2023890
(x2)
LED:RED

35.AC020153
(x2)
LENS:LED:4



53.D1943599
(x2)
GEAR:RACK:Z12:Z35

87.D0A53588
(x2)
BRACKET:RACK:STOPPER
201812-07

37.B2343356
(x2)
JOINT:CHUCK:TONER BOTTLE

85.D1943712
(x2)
HOLDER:HOOK:CAP:TONER BOTTLE

55.D1943630
(x2)
DC MOTOR:DRIVE:TONER BOTTLE:ASS'Y:5.85W:BRUSH

31.AA143562
(x2)
SCREW:M4:DIA6X1.2

69.M2053175
(x2)
STOPPER:TONER BOTTLE

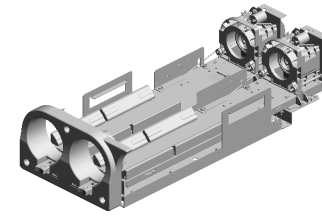
36.AW020198
(x2)
PHOTOINTERRUPTOR:LG2A14NL1

68.M2053172
(x2)
GROUND PLATE:TONER BANK

30.AA082101
(x4)
BUSHING - 6X10X6

U004_S006
 TONER BANK:KANAN:ASS'Y

- 92.D1943716 (x2) HOOK:UPPER:CAP :TONER BOTTLE
- 91.D0A53710 (x2) SEAL:REAR:SLIDE R:TONER BANK:T6
- 94.D1943715 (x2) TORSION SPRING: HOOK:CAP:TONER BOTTLE



84.M2053119
 [A]
 TONER BANK:KAN AN:ASS'Y
 201802-02 X/O

93.D1943714 (x2) HOOK:CAP:TONER BOTTLE



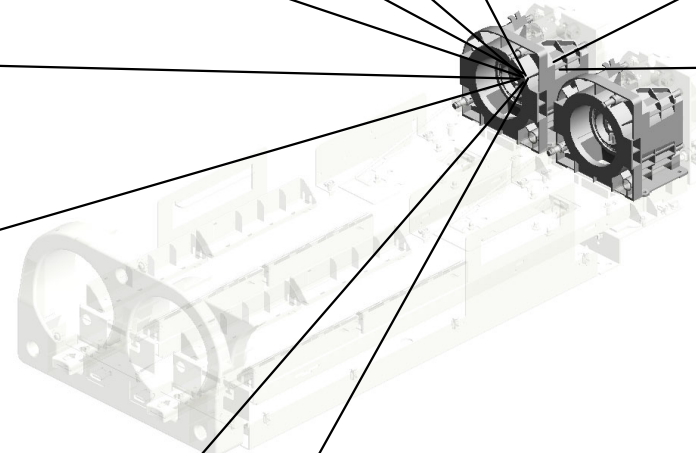
95.D1943723 (x2) COMPRESSION SPRING:RACK:HOOK



89.D1943708 (x2) SEAL:INNER:SLIDE R:TONER BANK



90.D1943709 (x2) SEAL:OUTER:SLIDER:TONER BANK



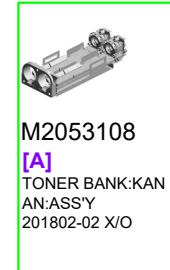
96.M2053174 (x2) HOLDER:COIL SPRING:AUXILIARY



97.D1943702 (x2) HOUSING:TONER BANK



88.D1943707 (x2) SLIDER:TONER BANK

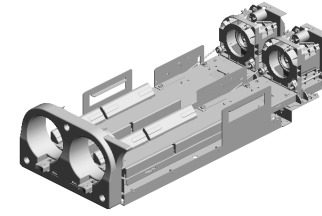


M2053108
 [A]
 TONER BANK:KAN AN:ASS'Y
 201802-02 X/O

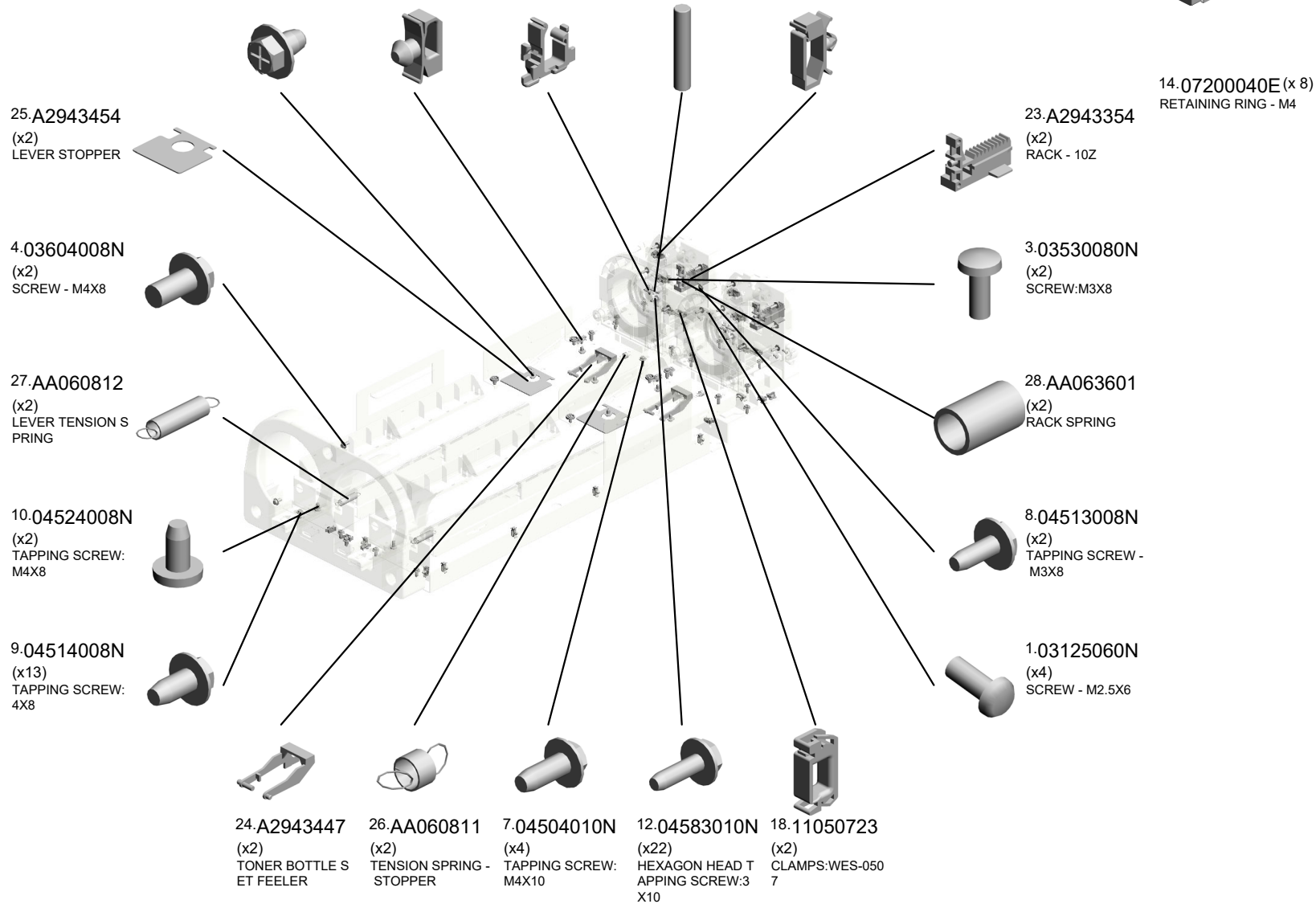
U001	U002	U003	U004	U005	U006	U007	U008	U009	U010	U011	U012	U013	U014	U015	U016	U017
------	------	------	------	------	------	------	------	------	------	------	------	------	------	------	------	------

U004_S007
TONER BANK:KANAN:ASS'Y

- 11.04544006Q (x6) TAPPING SCREW: 4X6
- 19.11050758 (x14) CLAMP:LWSM-030 6A
- 17.11050551 (x3) CLAMP:LES-0505
- 13.06330160G (x2) PARALLEL PIN - 3X 16MM
- 20.11050760 (x6) CLAMP:LWSM-051 1A



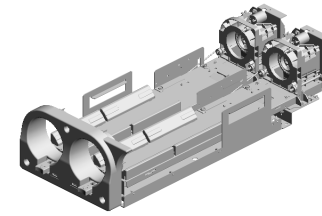
84.M2053119
[A]
TONER BANK:KANAN:ASS'Y
201802-02 X/O



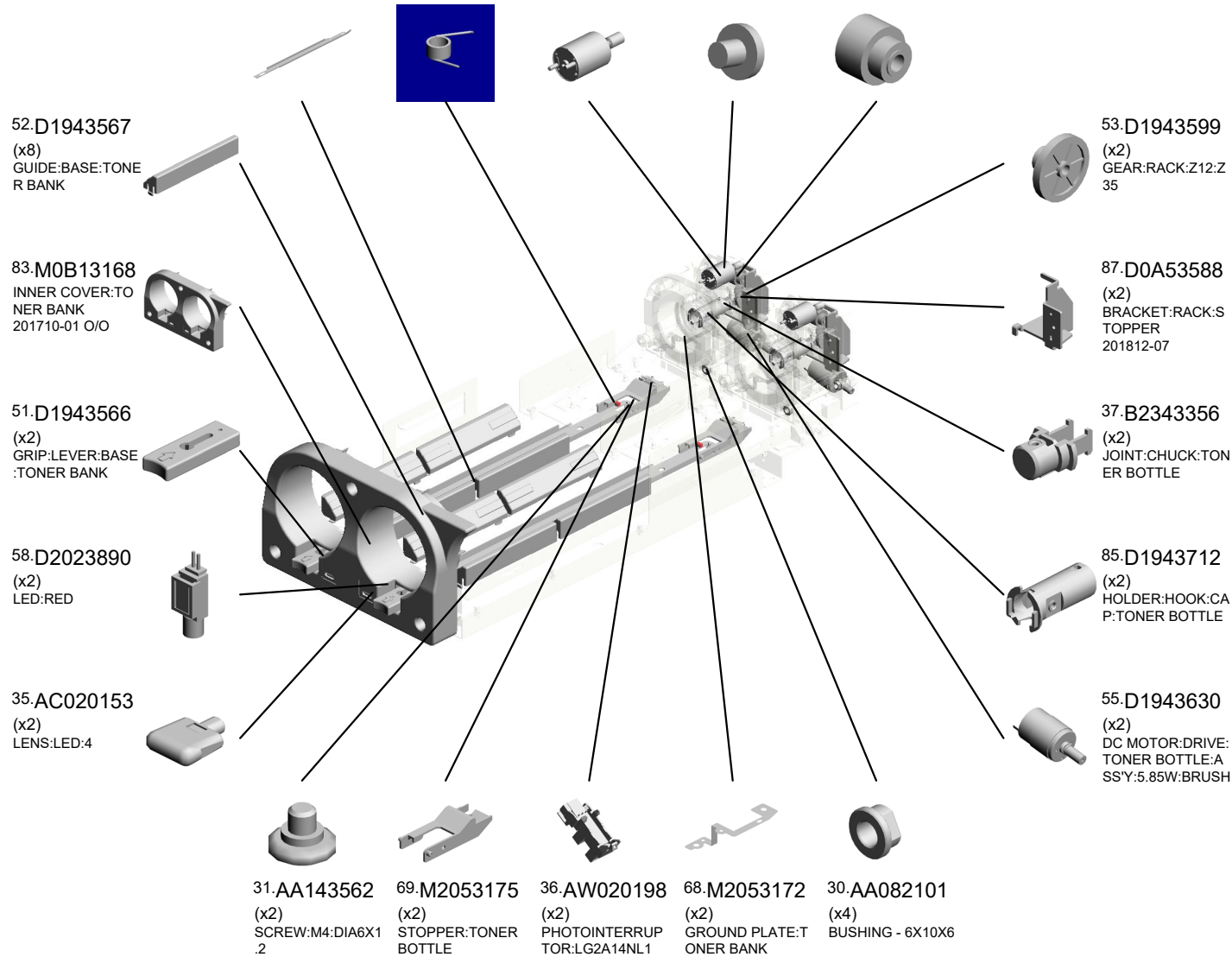
U001	U002	U003	U004	U005	U006	U007	U008	U009	U010	U011	U012	U013	U014	U015	U016	U017
------	------	------	------	------	------	------	------	------	------	------	------	------	------	------	------	------

U004_S007
 TONER BANK:KANAN:ASS'Y

- 50.D1943564 (x2) LEVER:BASE:TONER BANK
- 29.AA066320 (x2) FEELER TORTION SPRING
- 56.D1943632 (x2) DC MOTOR:SLIDE R:TONER BANK:ASS'Y:4.2W:BRUSH
- 38.D0393368 (x4) SCREW:M3X3.5
- 34.AB017515 (x2) DOUBLE GEAR - 1/2/23Z

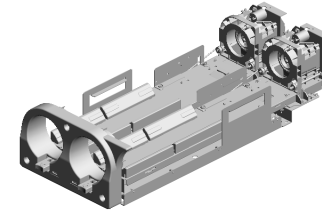


84.M2053119
 [A]
 TONER BANK:KANAN:ASS'Y
 201802-02 X/O



U004_S007
 TONER BANK:KANAN:ASS'Y

92.D1943716 (x2) HOOK:UPPER:CAP :TONER BOTTLE
 91.D0A53710 (x2) SEAL:REAR:SLIDE R:TONER BANK:T6
 94.D1943715 (x2) TORSION SPRING: HOOK:CAP:TONER BOTTLE



84.M2053119
 [A]
 TONER BANK:KAN AN:ASS'Y
 201802-02 X/O

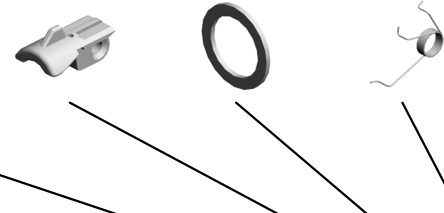
93.D1943714 (x2) HOOK:CAP:TONER BOTTLE



89.D1943708 (x2) SEAL:INNER:SLIDE R:TONER BANK



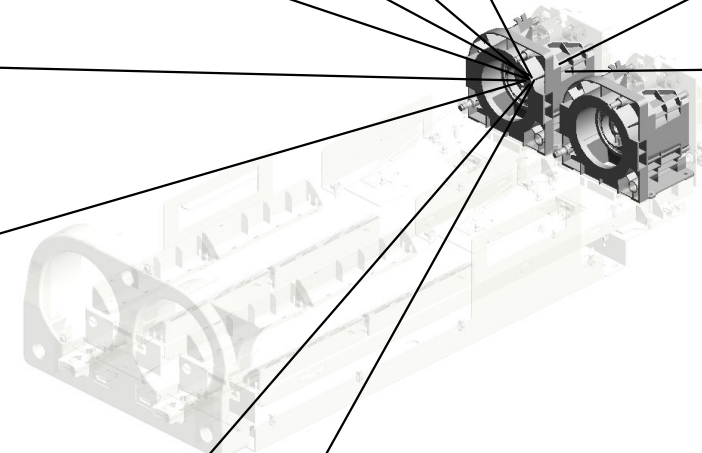
90.D1943709 (x2) SEAL:OUTER:SLIDER:TONER BANK



95.D1943723 (x2) COMPRESSION SPRING:RACK:HOOK



96.M2053174 (x2) HOLDER:COIL SPRING:AUXILIARY



97.D1943702 (x2) HOUSING:TONER BANK



88.D1943707 (x2) SLIDER:TONER BANK

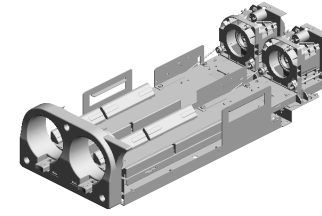


M2053108
 [A]
 TONER BANK:KAN AN:ASS'Y
 201802-02 X/O

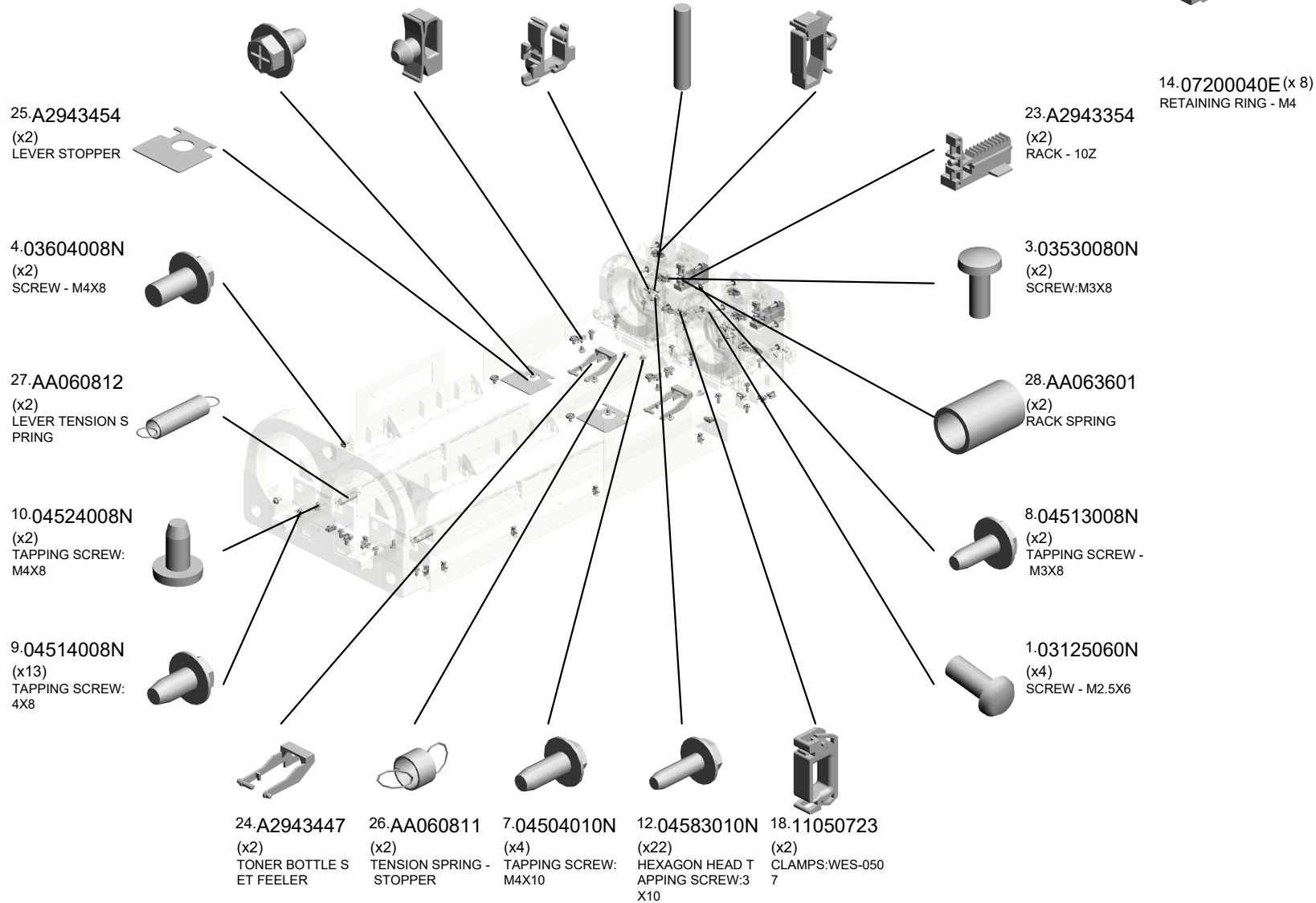
U001	U002	U003	U004	U005	U006	U007	U008	U009	U010	U011	U012	U013	U014	U015	U016	U017
------	------	------	------	------	------	------	------	------	------	------	------	------	------	------	------	------

U004_S008
TONER BANK:KANAN:ASS'Y

- 11.04544006Q (x6) TAPPING SCREW: 4X6
- 19.11050758 (x14) CLAMP:LWSM-030 6A
- 17.11050551 (x3) CLAMP:LES-0505
- 13.06330160G (x2) PARALLEL PIN - 3X 16MM
- 20.11050760 (x6) CLAMP:LWSM-051 1A



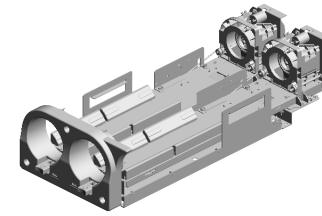
84.M2053119
[A]
TONER BANK:KANAN:ASS'Y
201802-02 X/O



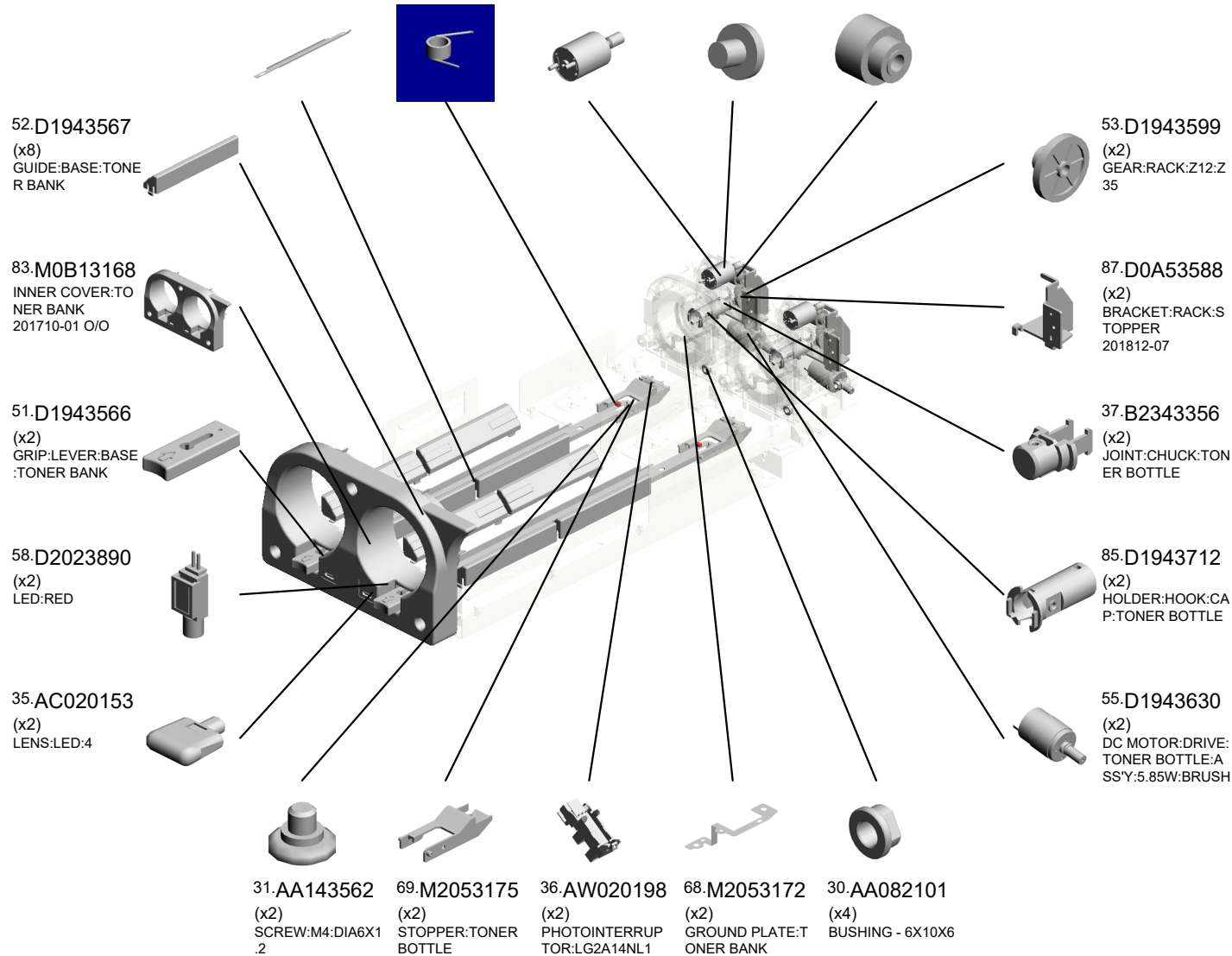
U001	U002	U003	U004	U005	U006	U007	U008	U009	U010	U011	U012	U013	U014	U015	U016	U017
------	------	------	------	------	------	------	------	------	------	------	------	------	------	------	------	------

U004_S008
TONER BANK:KANAN:ASS'Y

- 50.D1943564 (x2) LEVER:BASE:TONER BANK
- 29.AA066320 (x2) FEELER TORTION SPRING
- 56.D1943632 (x2) DC MOTOR:SLIDE R:TONER BANK:ASS'Y:4.2W:BRUSH
- 38.D0393368 (x4) SCREW:M3X3.5
- 34.AB017515 (x2) DOUBLE GEAR - 1/2/23Z

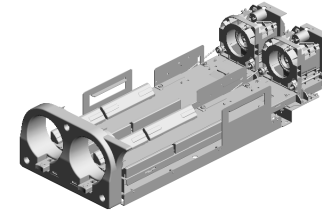


- 84.M2053119 [A] TONER BANK:KANAN:ASS'Y 201802-02 X/O



U004_S008
 TONER BANK:KANAN:ASS'Y

- 92.D1943716 (x2) HOOK:UPPER:CAP :TONER BOTTLE
- 91.D0A53710 (x2) SEAL:REAR:SLIDE R:TONER BANK:T6
- 94.D1943715 (x2) TORSION SPRING: HOOK:CAP:TONER BOTTLE



84.M2053119
 [A]
 TONER BANK:KAN AN:ASS'Y
 201802-02 X/O

93.D1943714 (x2) HOOK:CAP:TONER BOTTLE



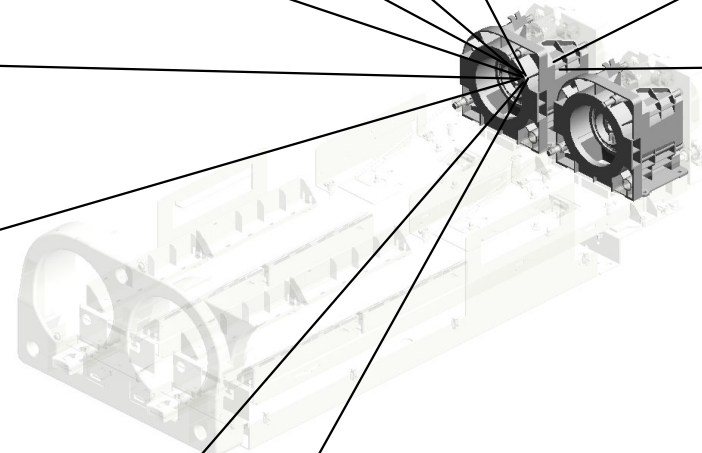
95.D1943723 (x2) COMPRESSION SPRING:RACK:HOOK



89.D1943708 (x2) SEAL:INNER:SLIDER:TONER BANK



90.D1943709 (x2) SEAL:OUTER:SLIDER:TONER BANK



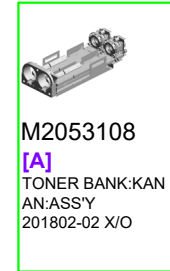
96.M2053174 (x2) HOLDER:COIL SPRING:AUXILIARY



97.D1943702 (x2) HOUSING:TONER BANK



88.D1943707 (x2) SLIDER:TONER BANK



M2053108
 [A]
 TONER BANK:KAN AN:ASS'Y
 201802-02 X/O

U001	U002	U003	U004	U005	U006	U007	U008	U009	U010	U011	U012	U013	U014	U015	U016	U017
------	------	------	------	------	------	------	------	------	------	------	------	------	------	------	------	------

U005.PCDU

U005 S002
M2052335
INNER COVER:PCU:ASS'Y

U005 S004
M2052327
(for C and M):PCU:ASS'Y

U005 S005
M2052335
INNER COVER:PCU:ASS'Y

U005 S003
M0B13500
CLEANING UNIT:ASS'Y

U005 S008
M2052335
INNER COVER:PCU:ASS'Y

U005 S001
M2052326
(for BK):PCU:ASS'Y

U005 S011
M2052335
INNER COVER:PCU:ASS'Y

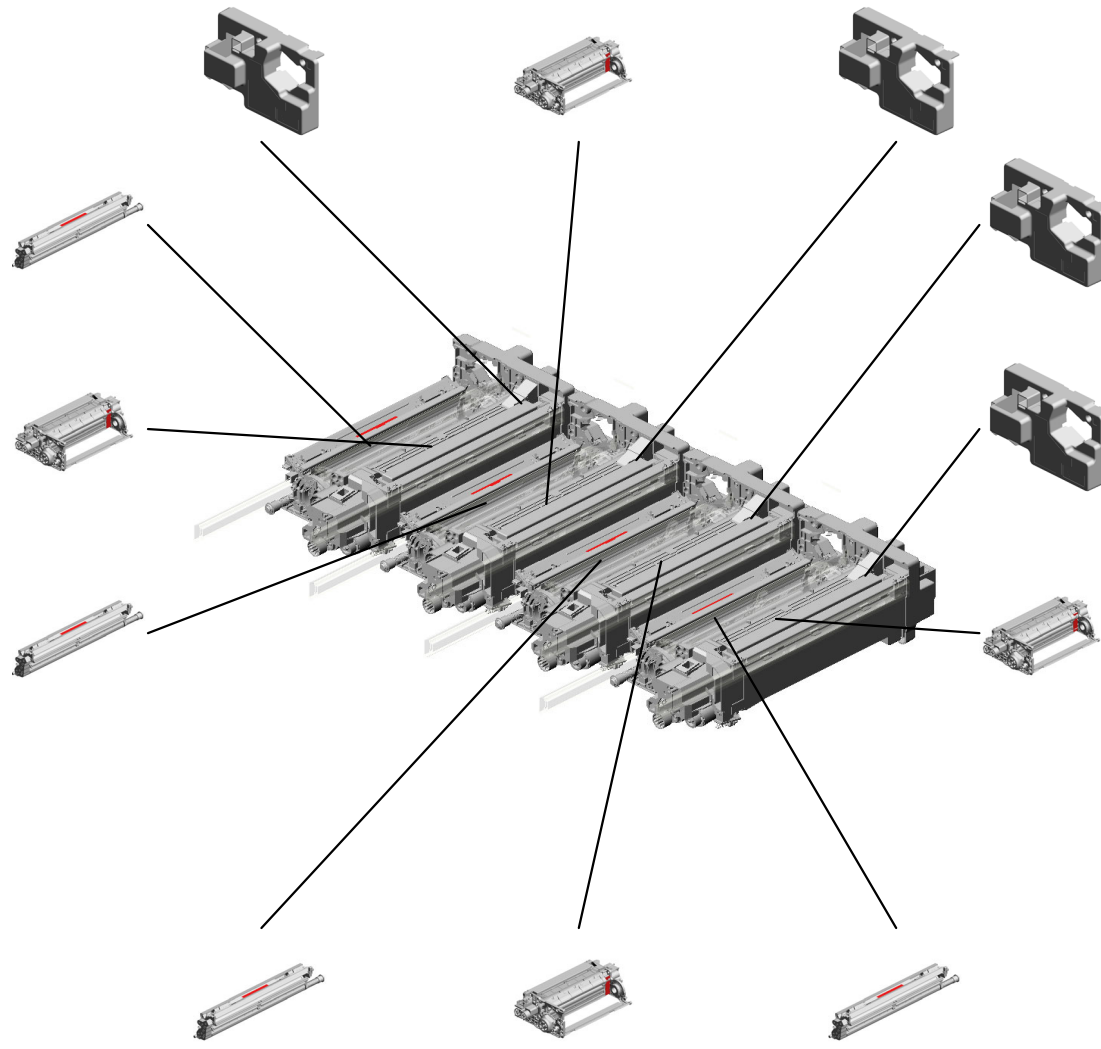
U005 S006
M0B13500
CLEANING UNIT:ASS'Y

U005 S010
M2052328
(for Y):PCU:ASS'Y

U005 S009
M0B13500
CLEANING UNIT:ASS'Y

U005 S007
M2052327
(for C and M):PCU:ASS'Y

U005 S012
M0B13500
CLEANING UNIT:ASS'Y



U001	U002	U003	U004	U005	U006	U007	U008	U009	U010	U011	U012	U013	U014	U015	U016	U017
------	------	------	------	------	------	------	------	------	------	------	------	------	------	------	------	------

U005.PCDU

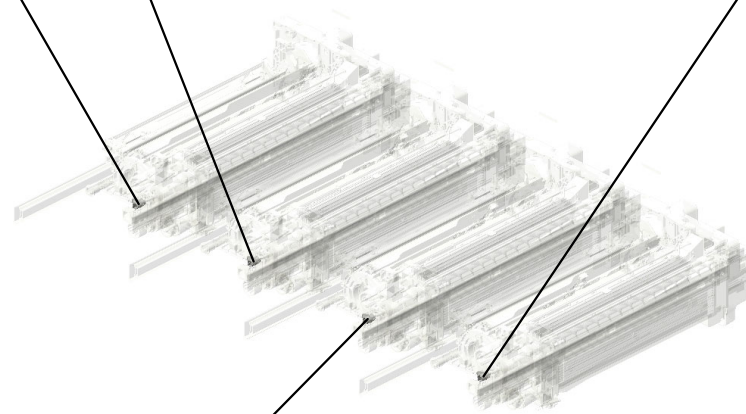
U005 S014
D1793131
RECEPTACLE:DEVELOPMEN
T VIAS:ASS'Y



U005 S016
D1793131
RECEPTACLE:DEVELOPMEN
T VIAS:ASS'Y



U005 S013
D1793131
RECEPTACLE:DEVELOPMEN
T VIAS:ASS'Y



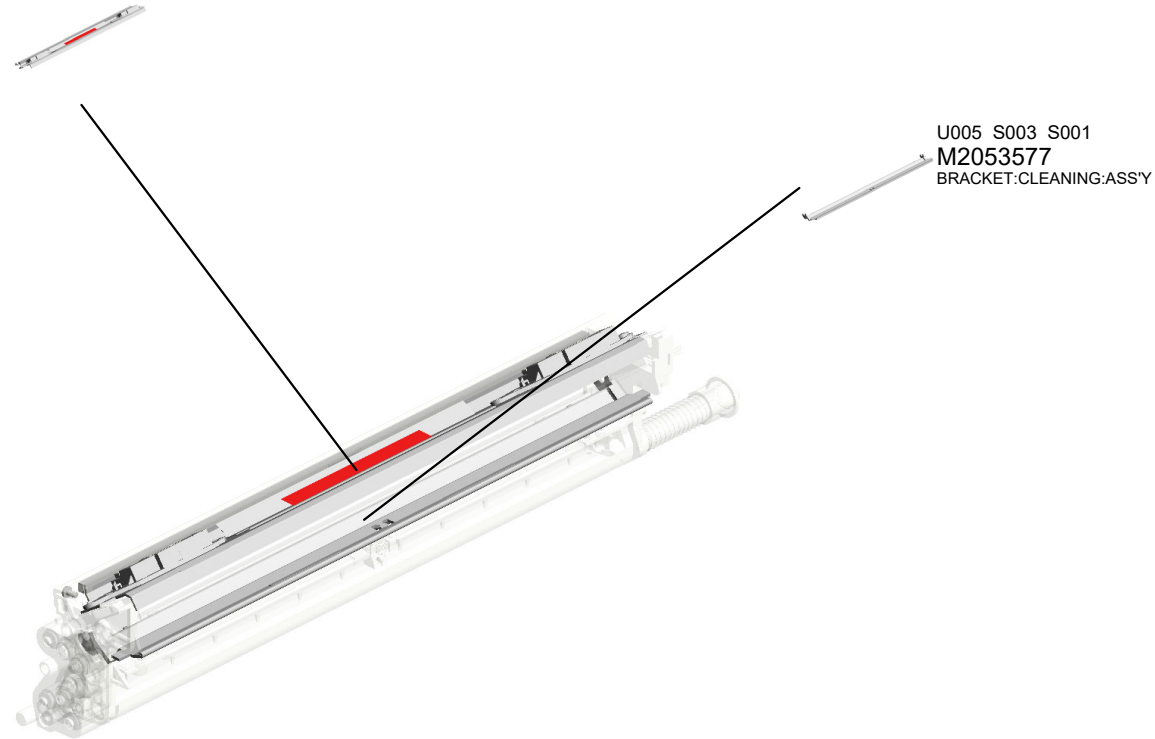
U005 S015
D1793131
RECEPTACLE:DEVELOPMEN
T VIAS:ASS'Y



U001	U002	U003	U004	U005	U006	U007	U008	U009	U010	U011	U012	U013	U014	U015	U016	U017
------	------	------	------	-------------	------	------	------	------	------	------	------	------	------	------	------	------

U005_S003.CLEANING UNIT:ASS'Y

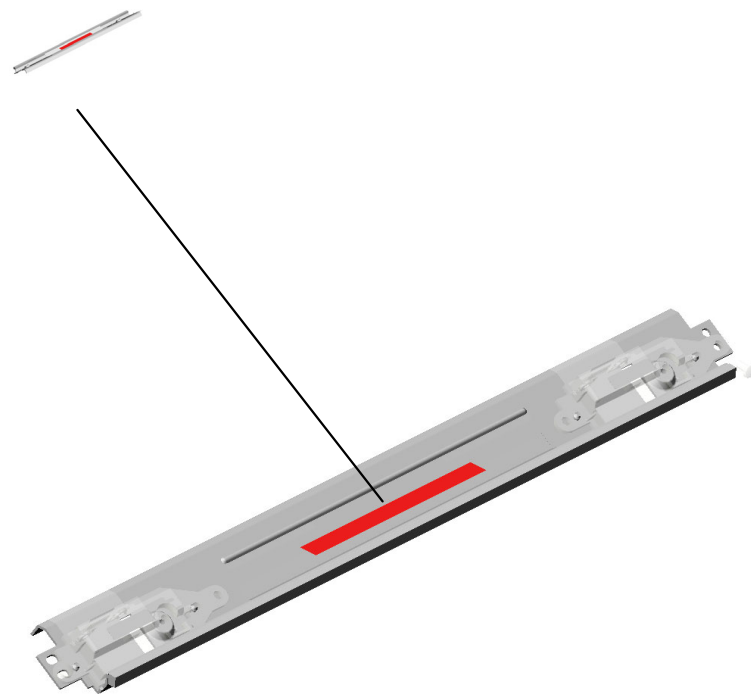
U005 S003 S002
M2053621
COVER:COATING BAR:ASS'Y



U001	U002	U003	U004	U005	U006	U007	U008	U009	U010	U011	U012	U013	U014	U015	U016	U017
------	------	------	------	------	------	------	------	------	------	------	------	------	------	------	------	------

U005_S003_S002.COVER:COATING BAR:ASS'Y

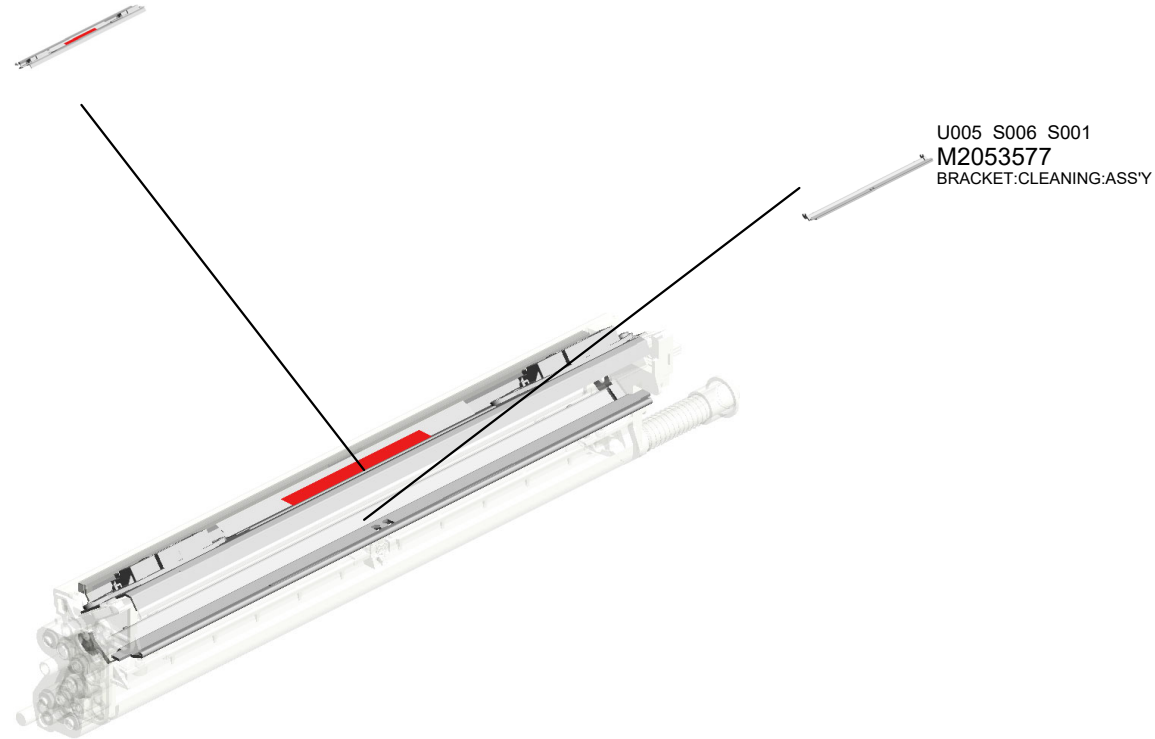
U005 S003 S002 S001
M2053622
COVER:COATING BAR:ASS'Y



U001	U002	U003	U004	U005	U006	U007	U008	U009	U010	U011	U012	U013	U014	U015	U016	U017
------	------	------	------	------	------	------	------	------	------	------	------	------	------	------	------	------

U005_S006.CLEANING UNIT:ASS'Y

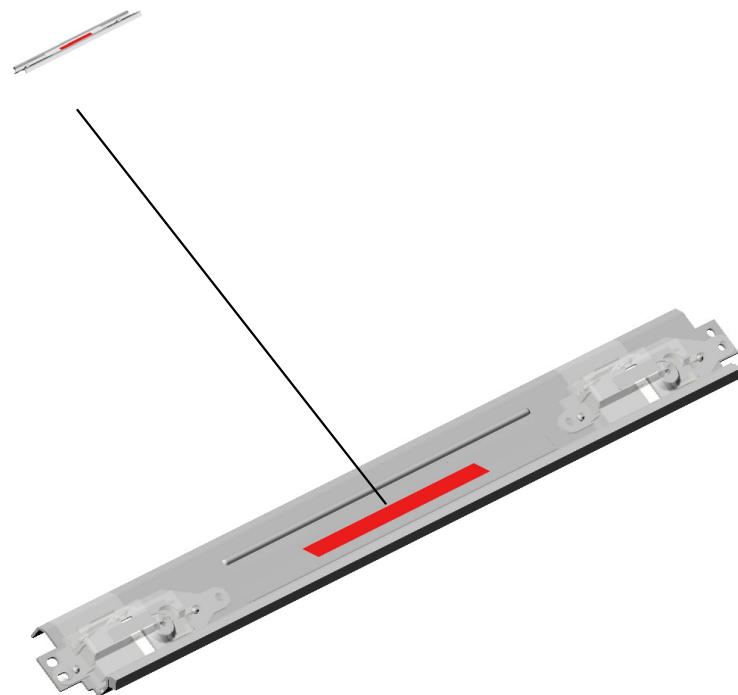
U005 S006 S002
M2053621
COVER:COATING BAR:ASS'Y



U001	U002	U003	U004	U005	U006	U007	U008	U009	U010	U011	U012	U013	U014	U015	U016	U017
------	------	------	------	------	------	------	------	------	------	------	------	------	------	------	------	------

U005_S006_S002.COVER:COATING BAR:ASS'Y

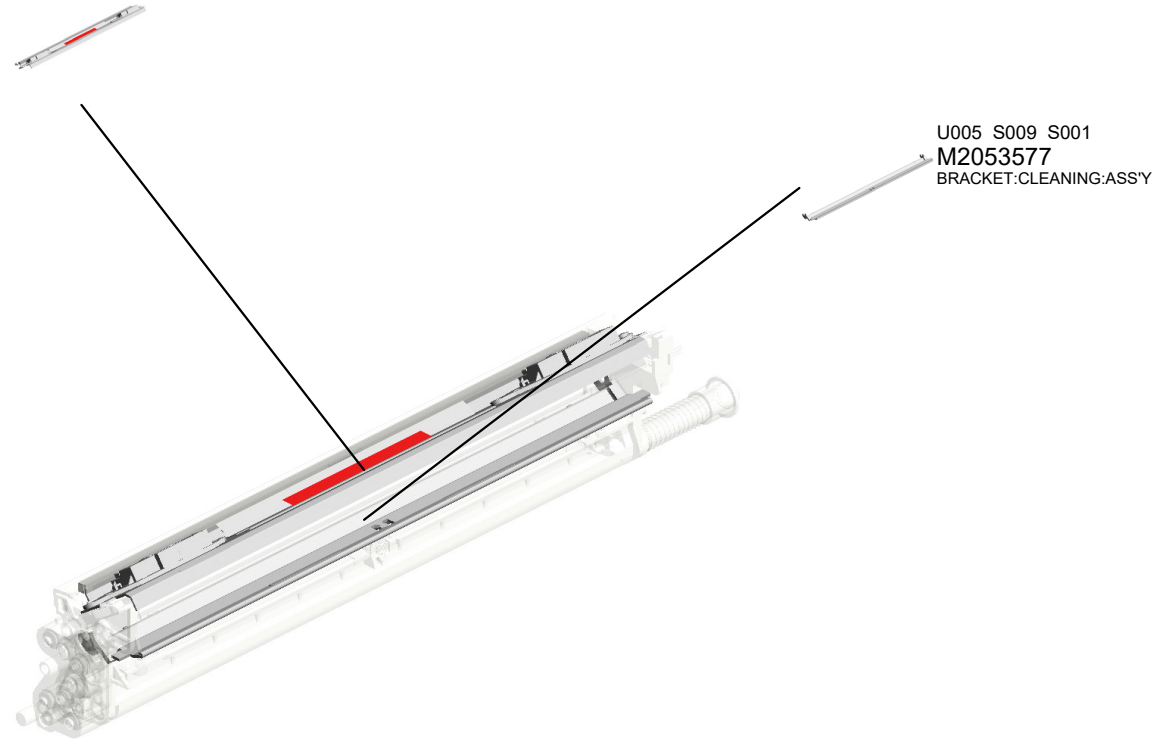
U005 S006 S002 S001
M2053622
COVER:COATING BAR:ASS'Y



U001	U002	U003	U004	U005	U006	U007	U008	U009	U010	U011	U012	U013	U014	U015	U016	U017
------	------	------	------	------	------	------	------	------	------	------	------	------	------	------	------	------

U005_S009.CLEANING UNIT:ASS'Y

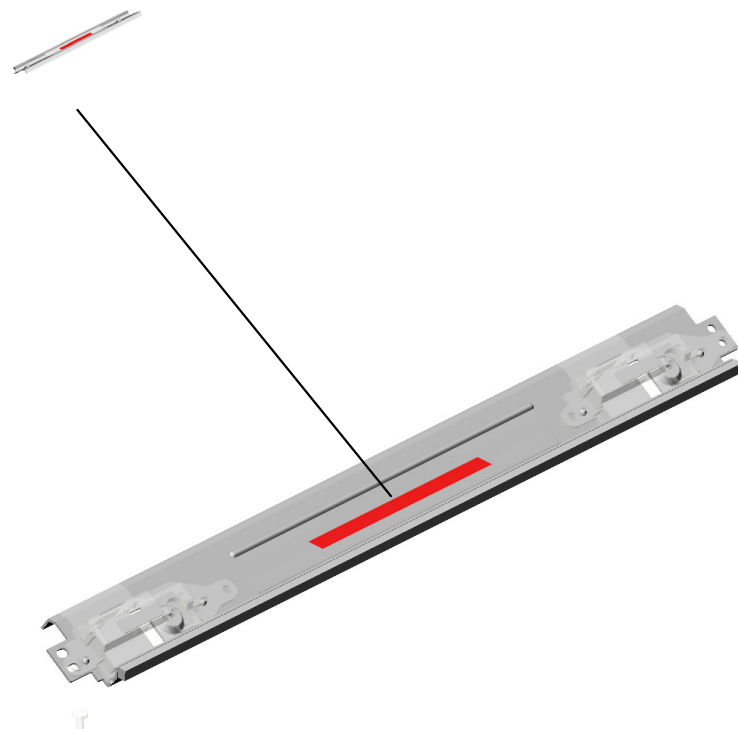
U005 S009 S002
M2053621
COVER:COATING BAR:ASS'Y



U001	U002	U003	U004	U005	U006	U007	U008	U009	U010	U011	U012	U013	U014	U015	U016	U017
------	------	------	------	------	------	------	------	------	------	------	------	------	------	------	------	------

U005_S009_S002.COVER:COATING BAR:ASS'Y

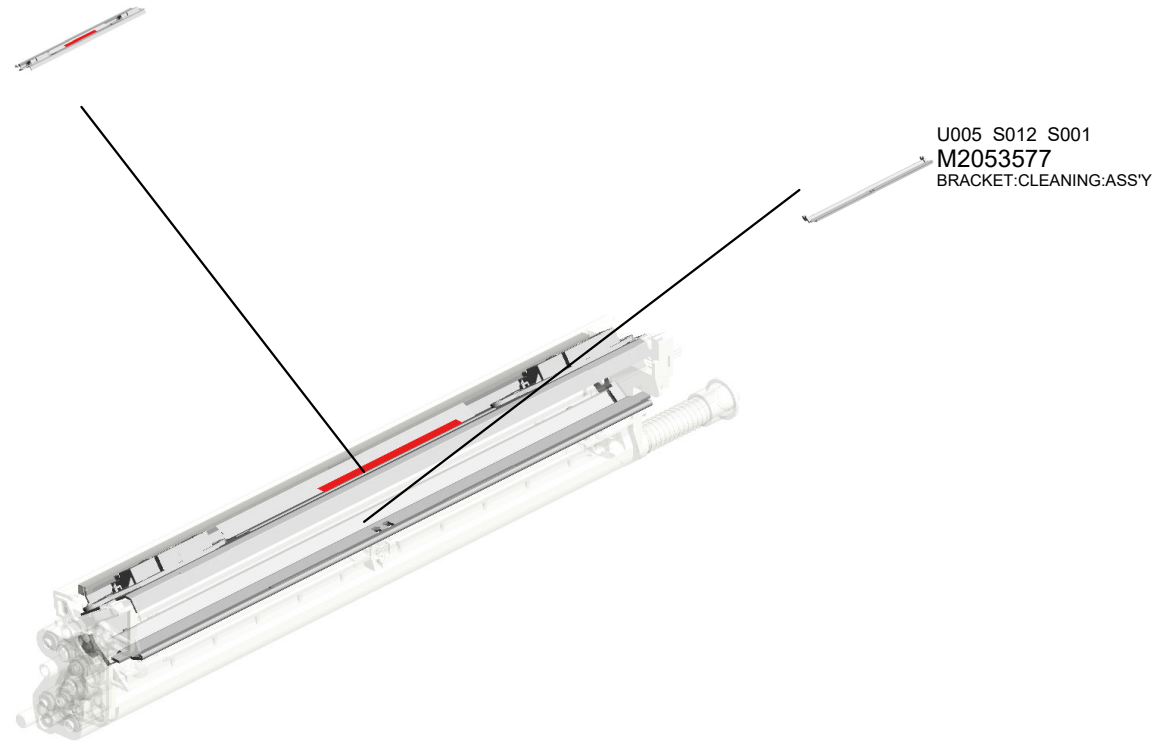
U005 S009 S002 S001
M2053622
COVER:COATING BAR:ASS'Y



U001	U002	U003	U004	U005	U006	U007	U008	U009	U010	U011	U012	U013	U014	U015	U016	U017
------	------	------	------	------	------	------	------	------	------	------	------	------	------	------	------	------

U005_S012.CLEANING UNIT:ASS'Y

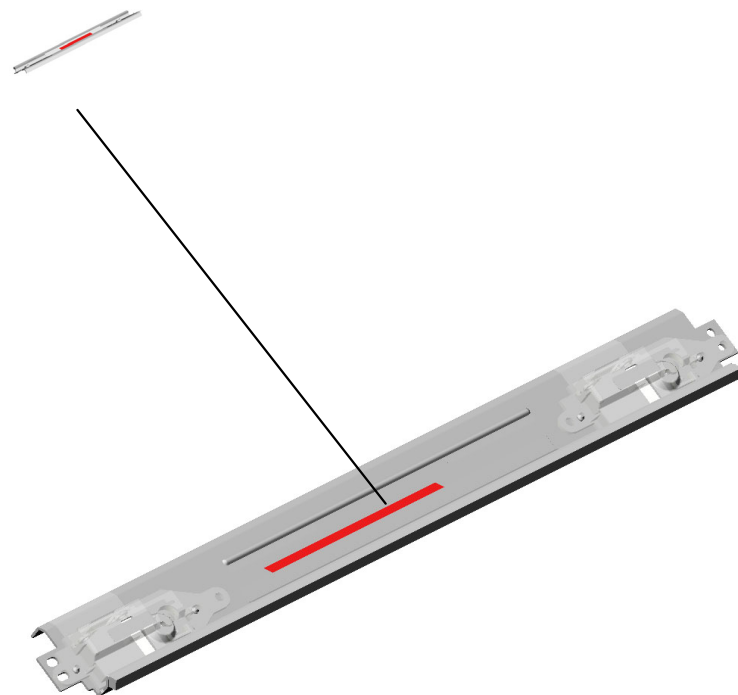
U005 S012 S002
M2053621
COVER:COATING BAR:ASS'Y



U001	U002	U003	U004	U005	U006	U007	U008	U009	U010	U011	U012	U013	U014	U015	U016	U017
------	------	------	------	------	------	------	------	------	------	------	------	------	------	------	------	------

U005_S012_S002.COVER:COATING BAR:ASS'Y

U005 S012 S002 S001
M2053622
COVER:COATING BAR:ASS'Y



U001	U002	U003	U004	U005	U006	U007	U008	U009	U010	U011	U012	U013	U014	U015	U016	U017
------	------	------	------	------	------	------	------	------	------	------	------	------	------	------	------	------

U005 PCDU

- 34.D0143655 (x4) ELECTRIC POTENTIAL SENSOR
- 10.03604006N (x4) SCREW - M4X6
- 42.D1363442 DECAL:COLORED DISPLAY:MAIN:BK
- 46.D1363446 DECAL:COLORED DISPLAY:DRUM STAY:BK
- 43.D1363443 DECAL:COLORED DISPLAY:MAIN:C



- 32.AW140026 (x2) TEMPERATURE & HUMIDITY SENSOR



- 3.03530080N (x10) SCREW:M3X8



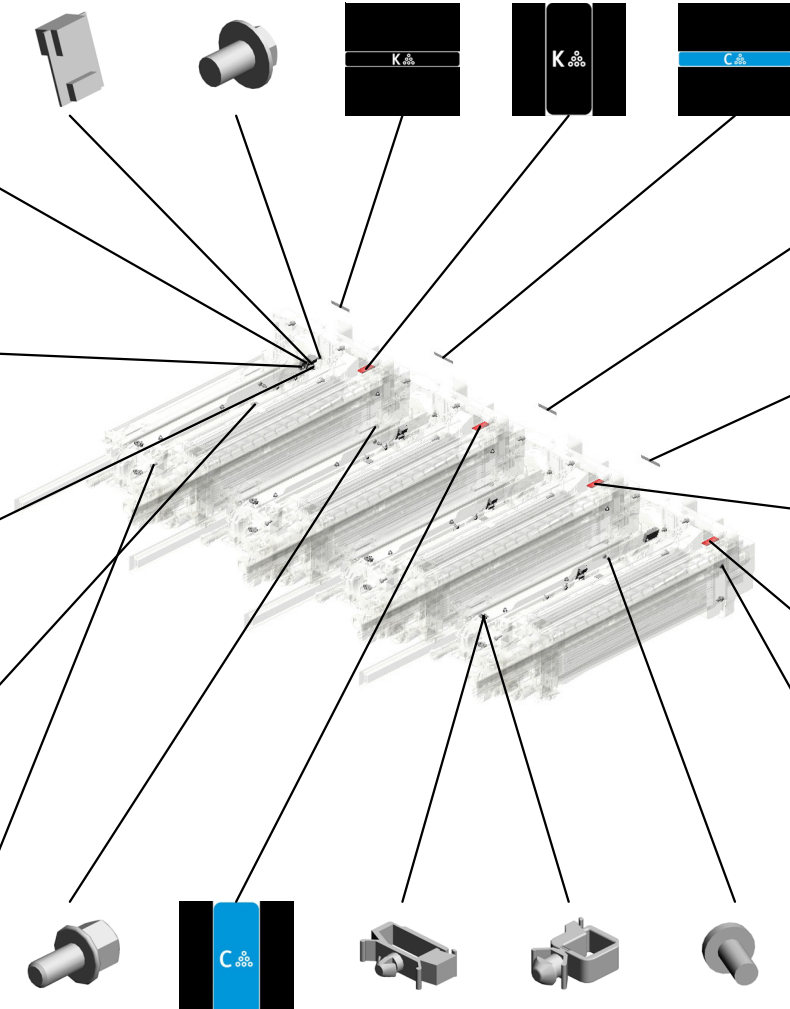
- 18.04593010N (x8) BINDING HEAD TAPPING SCREW:3X10



- 39.D0743829 (x4) DECAL:POSITIONING DISPLAY:TCRUNG



- 6.03540120N (x8) SCREW M4X12



- 33.B2342390 (x12) FLANGED HEXAGONAL HEAD BOLT: M4X8
- 47.D1363447 DECAL:COLORED DISPLAY:DRUM STAY:C
- 27.11050601 (x8) CLAMP:LWSM-051 1-2M
- 28.11050751 (x8) CLAMP:LWSM-060 6-3.2M
- 2.03530060N (x4) BIND SCREW - M3 X6

- 44.D1363444 DECAL:COLORED DISPLAY:MAIN:M

- 45.D1363445 DECAL:COLORED DISPLAY:MAIN:Y

- 48.D1363448 DECAL:COLORED DISPLAY:DRUM STAY:M

- 49.D1363449 DECAL:COLORED DISPLAY:DRUM STAY:Y

- 5.03540040N (x16) SCREW-M4X4



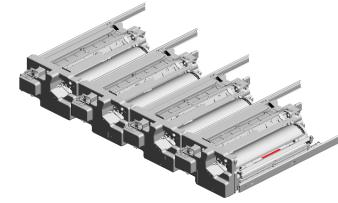
- 27.11050601 (x4) CLAMP:LWSM-051 1-2M

- 14.04514008N (x4) TAPPING SCREW:4X8

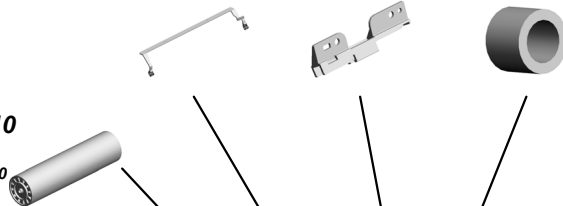
U001	U002	U003	U004	U005	U006	U007	U008	U009	U010	U011	U012	U013	U014	U015	U016	U017
------	------	------	------	------	------	------	------	------	------	------	------	------	------	------	------	------

U005
PCDU

145.M0B12370 133.M2052406 61.D3724561
 (x4) (x4) (x2)
 GRIP:PHOTOCON HOLDER:ELECTRI SPACER:DIA4
 DUCTOR C POTENTIAL SEN
 202011-02 O/O SOR



149.M0ED9510
 (x4)
 OPC DRUM DIA100
 202303-05 O/O



148.M0EDF523
 (x4)
 HOLDER:DRUM:RE
 MOVER/INSTALL:R
 EAR
 202301-01 O/O



52.D1792469
 (x4)
 KNOB SCREW:DR
 UM



79.M2052412
 (x4)
 PLATE:STOPPER:P
 CU



65.G1783271
 (x4)
 HOLDER:SLIDE RA
 IL:DEVELOPMENT
 UNIT



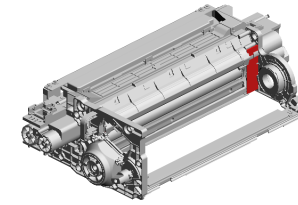
63.G1782718 78.M2052411
 (x4) (x8)
 HOLDER:DRUM:RE SLIDE RAIL:PCU
 MOVER/INSTALL:F RONT



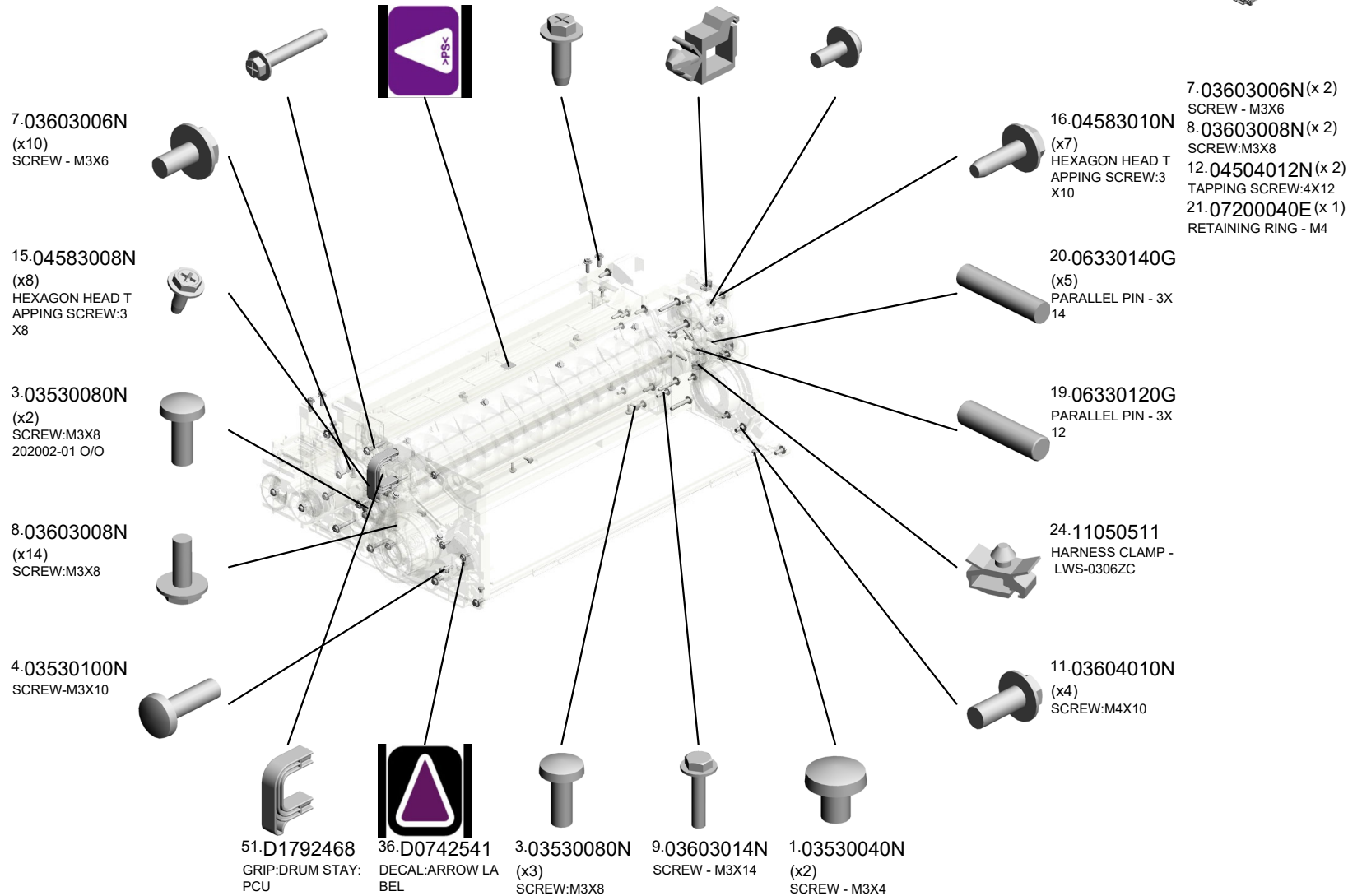
U001	U002	U003	U004	U005	U006	U007	U008	U009	U010	U011	U012	U013	U014	U015	U016	U017
------	------	------	------	------	------	------	------	------	------	------	------	------	------	------	------	------

U005_S001
(for BK):PCU:ASS'Y

- 13.04504025N (x8) TAPPING SCREW: 4X25
- 39.D0743829 DECAL:POSITIONI NG DISPLAY:TCRU
- 12.04504012N (x13) TAPPING SCREW: 4X12
- 25.11050534 (x4) CLAMP
- 23.09543008N (x5) SCREW - M3X8

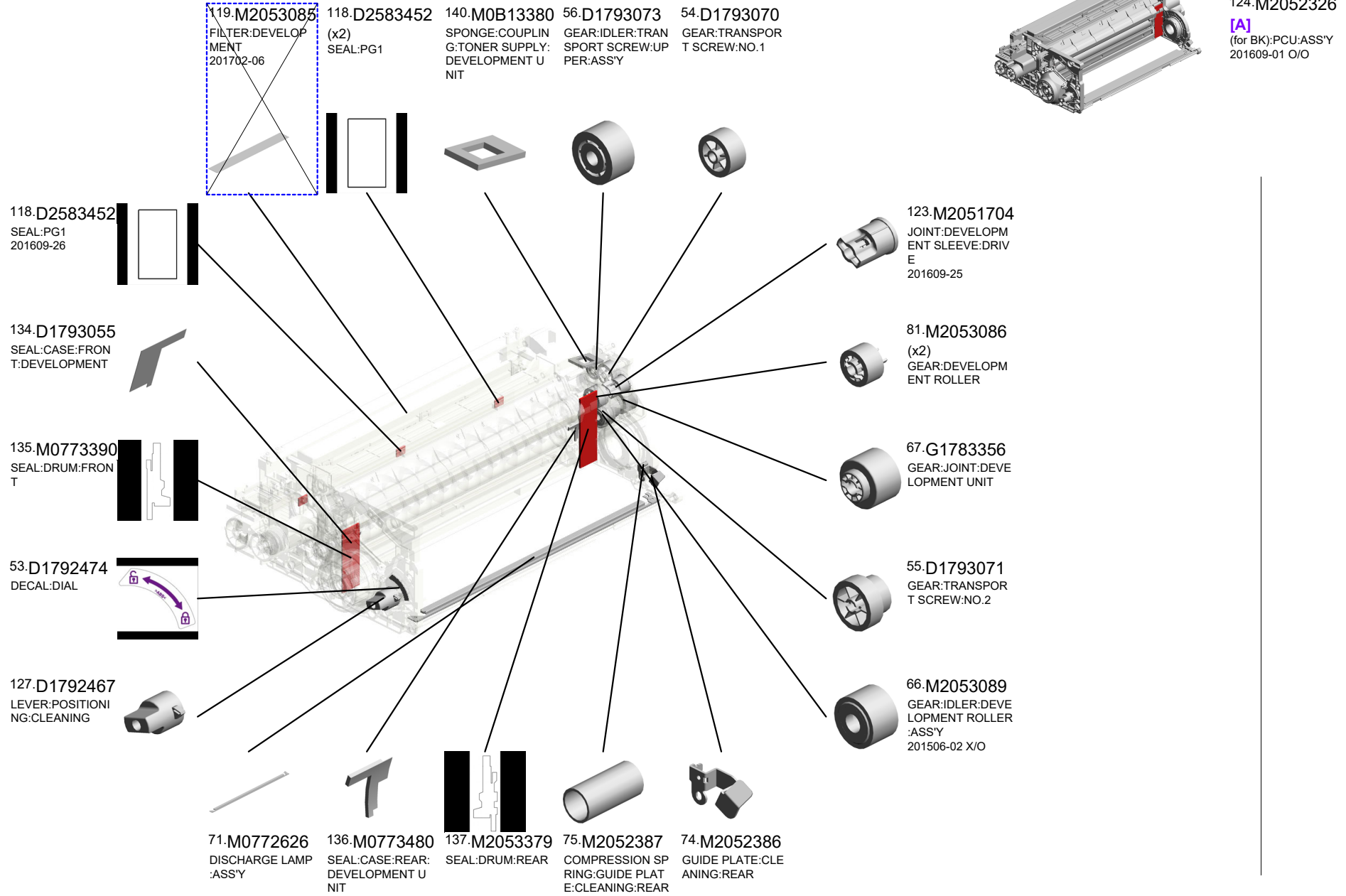


124.M2052326
[A]
(for BK):PCU:ASS'Y
201609-01 O/O



U001	U002	U003	U004	U005	U006	U007	U008	U009	U010	U011	U012	U013	U014	U015	U016	U017
------	------	------	------	------	------	------	------	------	------	------	------	------	------	------	------	------

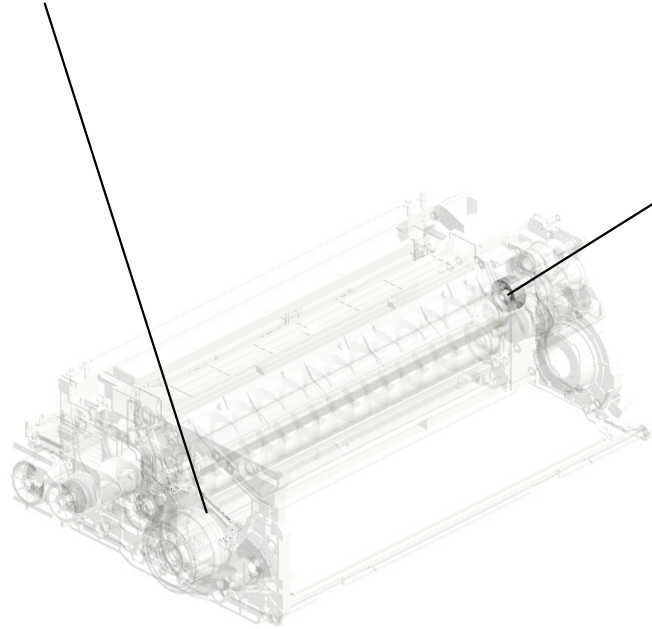
U005_S001
(for BK):PCU:ASS'Y



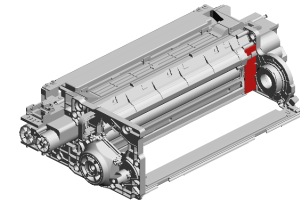
U001	U002	U003	U004	U005	U006	U007	U008	U009	U010	U011	U012	U013	U014	U015	U016	U017
------	------	------	------	------	------	------	------	------	------	------	------	------	------	------	------	------

U005_S001
(for BK):PCU:ASS'Y

143.M2052365
(x3)
SPACER:HOLDER:
CHARGE CORONA
:FRONT



146.M2053067
GEAR:TRANSPOR
T SCREW:NO.3



124.M2052326
[A]
(for BK):PCU:ASS'Y
201609-01 O/O

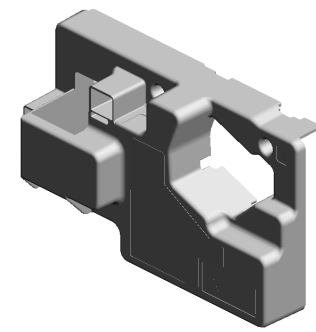


M2052316
[A]
(for BK):PCU:ASS'Y
201609-01 O/O

U001	U002	U003	U004	U005	U006	U007	U008	U009	U010	U011	U012	U013	U014	U015	U016	U017
------	------	------	------	------	------	------	------	------	------	------	------	------	------	------	------	------

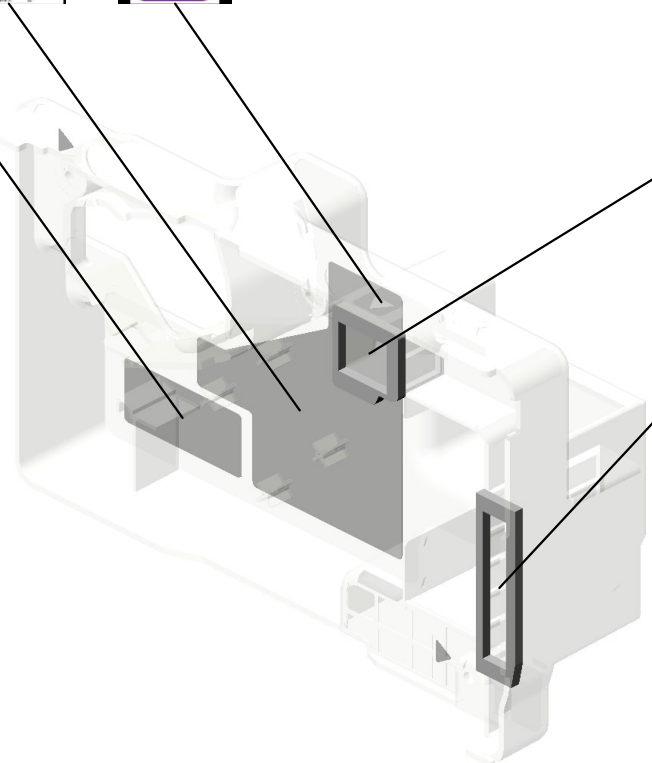
U005_S002
INNER COVER:PCU:ASS'Y

80.M2053044 39.D0743829
DECAL:WARNING: (x3)
PHOTOCONDUCT DECAL:POSITIONI
OR NG DISPLAY:TCRU



73.M2052335
INNER COVER:PC
U:ASS'Y

62.G0291980
DECAL - LD



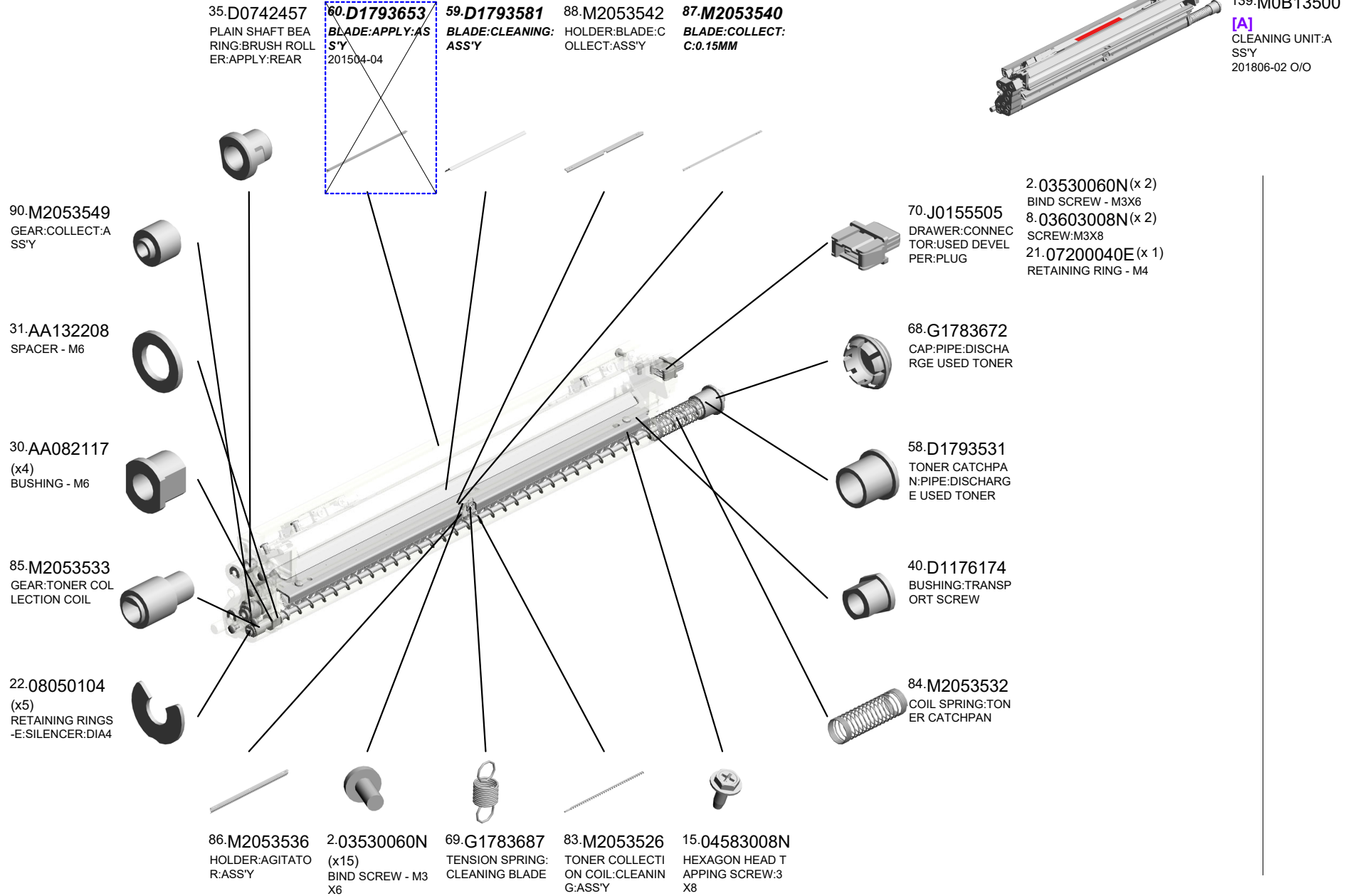
76.M2052391
SEAL:INNER COVE
R:PCU:UPPER



150.M0EDF543
SEAL:INNER COVE
R:PCU:LOWER
202306-02 O/O

U001	U002	U003	U004	U005	U006	U007	U008	U009	U010	U011	U012	U013	U014	U015	U016	U017
------	------	------	------	------	------	------	------	------	------	------	------	------	------	------	------	------

U005_S003
CLEANING UNIT:ASS'Y



U001	U002	U003	U004	U005	U006	U007	U008	U009	U010	U011	U012	U013	U014	U015	U016	U017
------	------	------	------	------	------	------	------	------	------	------	------	------	------	------	------	------

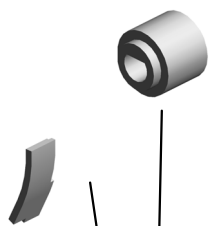
U005_S003
CLEANING UNIT:ASS'Y

98.M2053644 GEAR:APPLY:BRUSH
131.M2053662 SEAL:APPLY:FRONT
100.M2053674 GEAR:IDLER:NO.1:
Z19
101.M2053675 GEAR:IDLER:NO.2:
Z17
138.MOB13652
**BLADE:APPLY:AS
S'Y**
201805-02 X/O



139.MOB13500
[A]
CLEANING UNIT:A
SS'Y
201806-02 O/O

128.M2053585
SEAL:CLEANING B
LADE:FRONT



105.M2053691
COVER:GEAR:ASS'
Y



102.M2053676
GEAR:IDLER:NO.3:
Z26



91.M2053559
GEAR:BRUSH ROL
LER:ASS'Y



103.M2053677
GEAR:IDLER:NO.4:
Z16



94.M2053565
**BRUSH ROLLER:C
LEANING**

99.M2053645
**BRUSH ROLLER:A
PPLY:SUB-ASS'Y**

141.MOB13546
ROLLER:COLLECT:
ASS'Y
201909-02 O/O

96.M2053630
**COATING BAR:AS
S'Y**



97.M2053643
JOINT:CLEANING
UNIT



130.M2053647
HOLDER:BEARING
:APPLY:ASS'Y



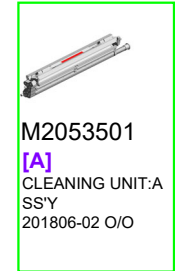
132.M2053663
SEAL:APPLY:REAR



129.M2053586
SEAL:CLEANING B
LADE:REAR



144.M2053553
HOLDER:SEPARAT
ION PLATE:BRUSH
ROLLER

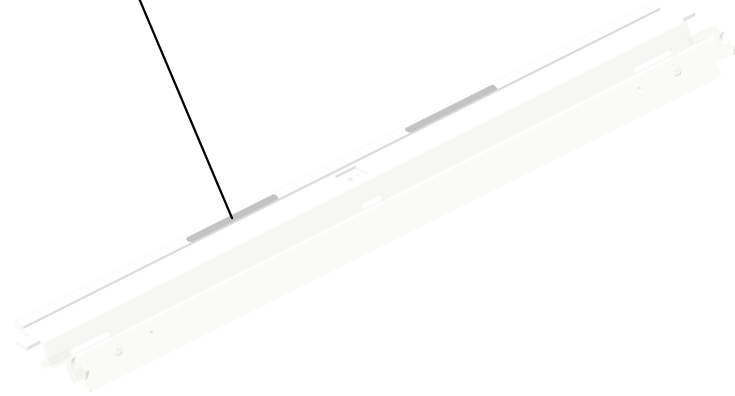


M2053501
[A]
CLEANING UNIT:A
SS'Y
201806-02 O/O

U001	U002	U003	U004	U005	U006	U007	U008	U009	U010	U011	U012	U013	U014	U015	U016	U017
------	------	------	------	------	------	------	------	------	------	------	------	------	------	------	------	------

U005_S003_S001
BRACKET:CLEANING:ASS'Y

37.D0742542
(x2)
DECAL:GRIP

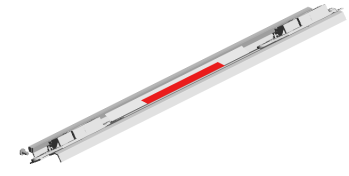


147.M2053577
BRACKET:CLEANI
NG:ASS'Y

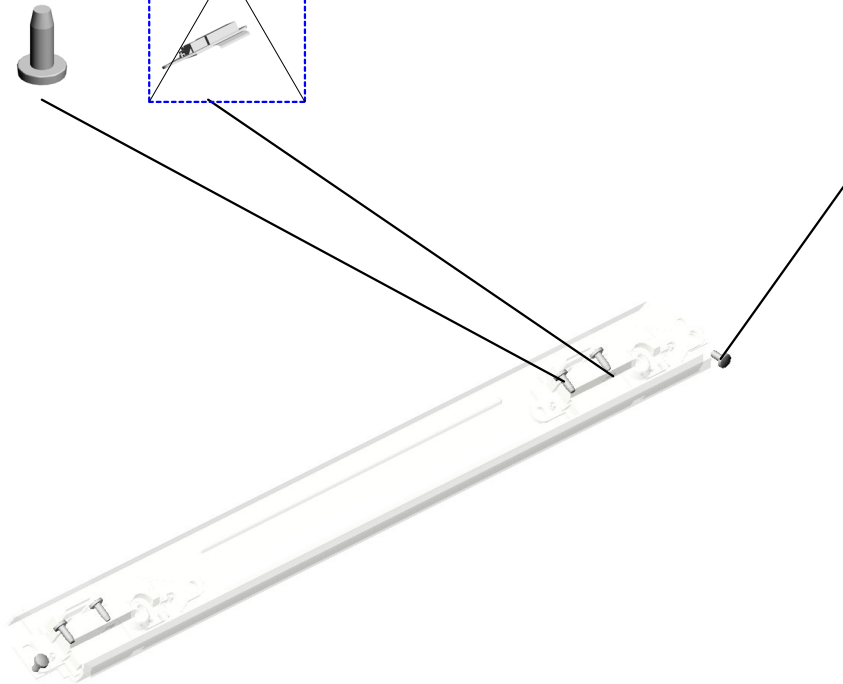
U001	U002	U003	U004	U005	U006	U007	U008	U009	U010	U011	U012	U013	U014	U015	U016	U017
------	------	------	------	------	------	------	------	------	------	------	------	------	------	------	------	------

U005_S003_S002
COVER:COATING BAR:ASS'Y

17.04593008N
(x4)
BINDING HEAD TA
PPING SCREW:3X
8



111-M2053621
COVER:COATING
BAR:ASS'Y

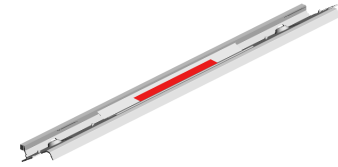


2.03530060N
(x2)
BIND SCREW - M3
X6

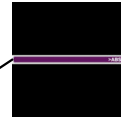
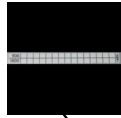
U001	U002	U003	U004	U005	U006	U007	U008	U009	U010	U011	U012	U013	U014	U015	U016	U017
------	------	------	------	------	------	------	------	------	------	------	------	------	------	------	------	------

U005_S003_S002_S001
COVER:COATING BAR:ASS'Y

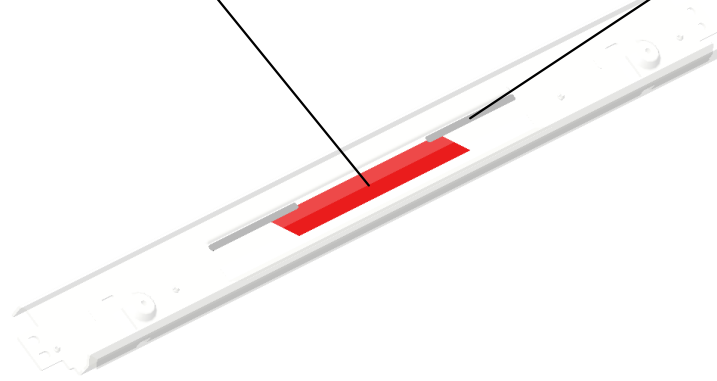
113.M2053627
DECAL:CLEANING
UNIT:DESIGN SKE
TCH
201507-08



95.M2053622
COVER:COATING
BAR:ASS'Y



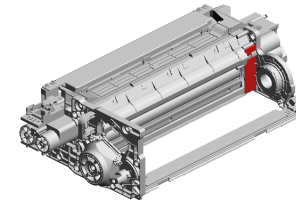
37.D0742542
(x2)
DECAL:GRIP



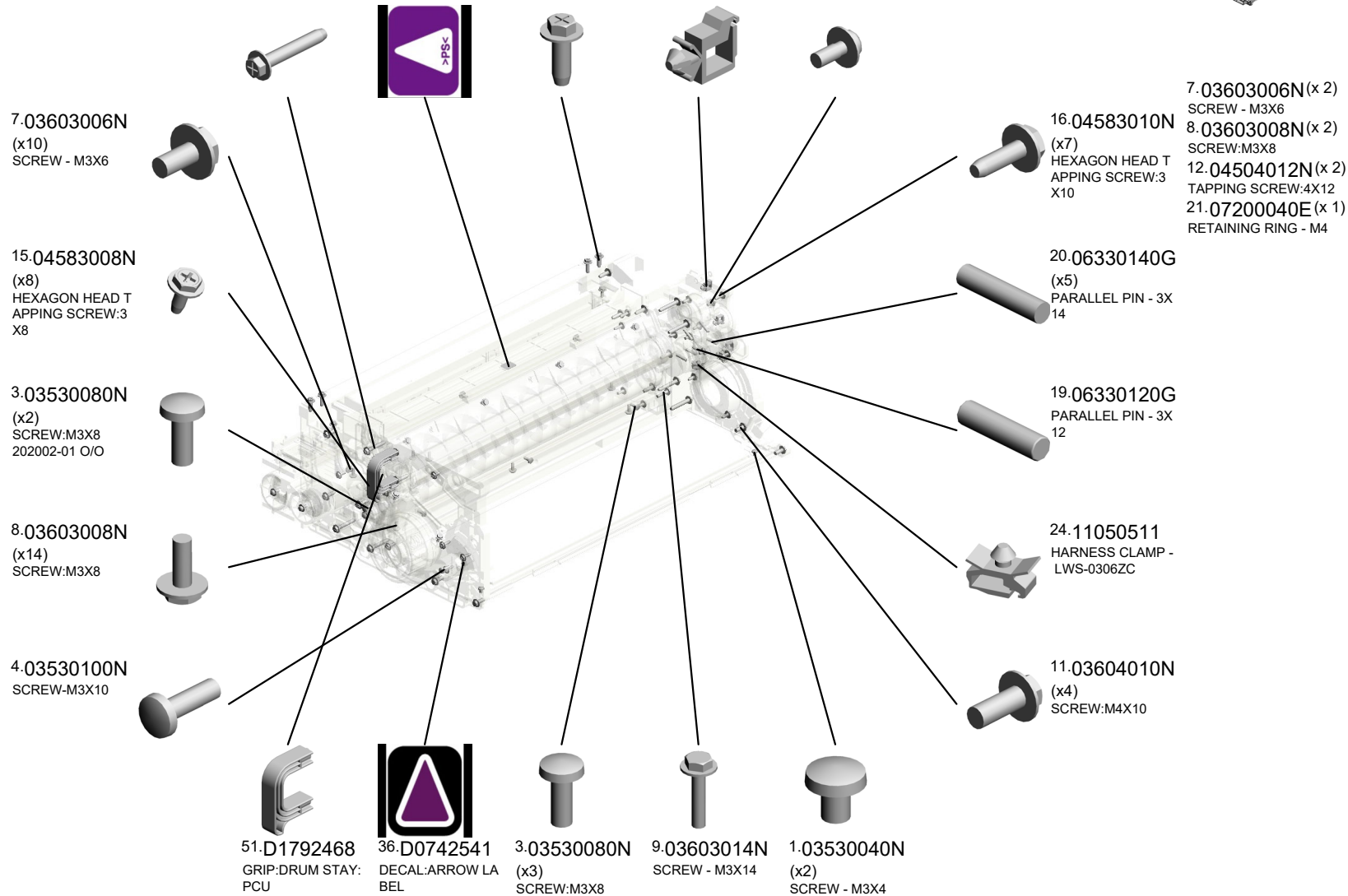
U001	U002	U003	U004	U005	U006	U007	U008	U009	U010	U011	U012	U013	U014	U015	U016	U017
------	------	------	------	------	------	------	------	------	------	------	------	------	------	------	------	------

U005_S004
(for C and M):PCU:ASS'Y

- 13.04504025N (x8) TAPPING SCREW: 4X25
- 39.D0743829 DECAL:POSITIONI NG DISPLAY:TCRU
- 12.04504012N (x13) TAPPING SCREW: 4X12
- 25.11050534 (x4) CLAMP
- 23.09543008N (x5) SCREW - M3X8

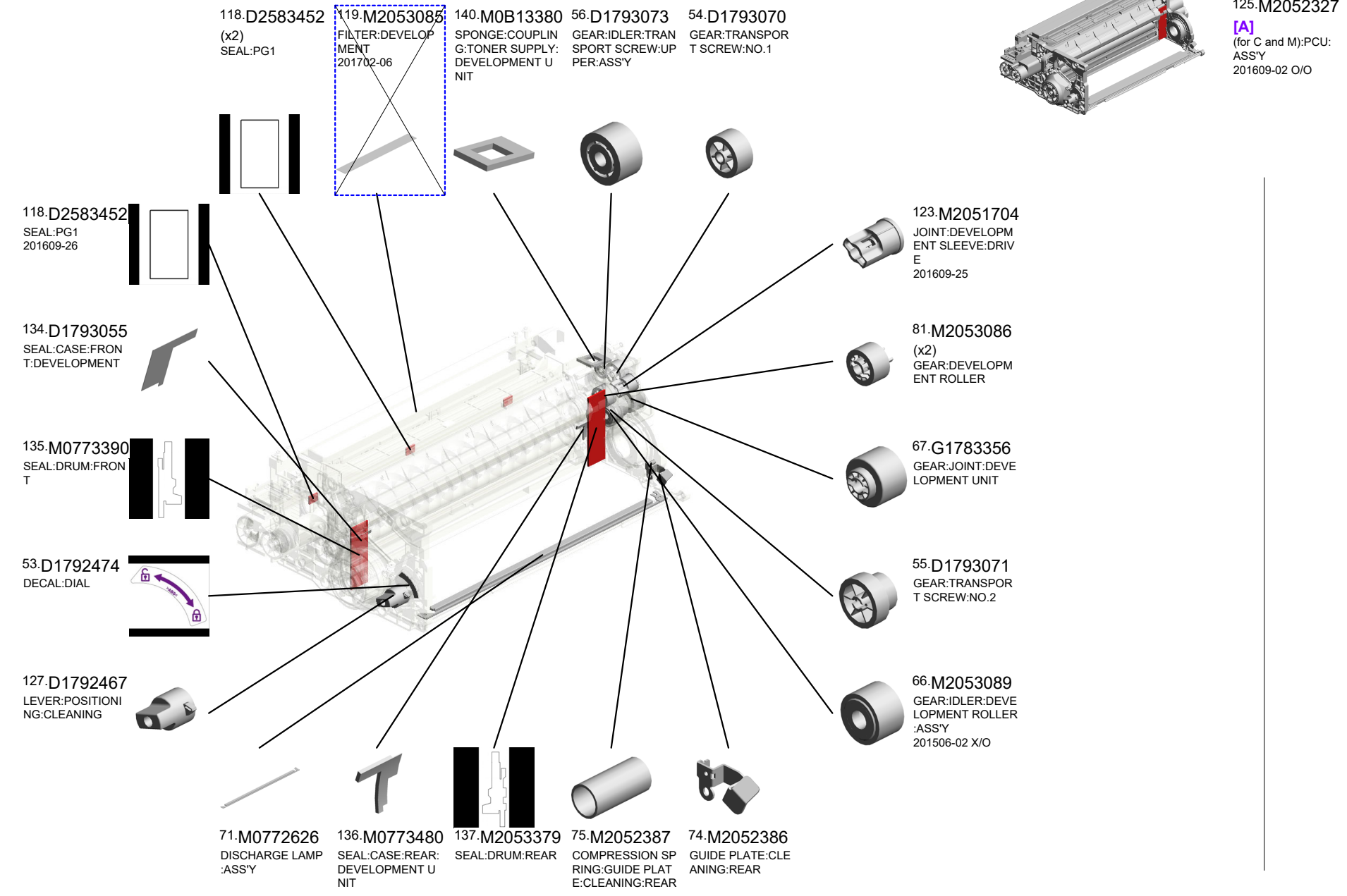


125.M2052327
[A]
(for C and M):PCU: ASS'Y
201609-02 O/O



U001	U002	U003	U004	U005	U006	U007	U008	U009	U010	U011	U012	U013	U014	U015	U016	U017
------	------	------	------	------	------	------	------	------	------	------	------	------	------	------	------	------

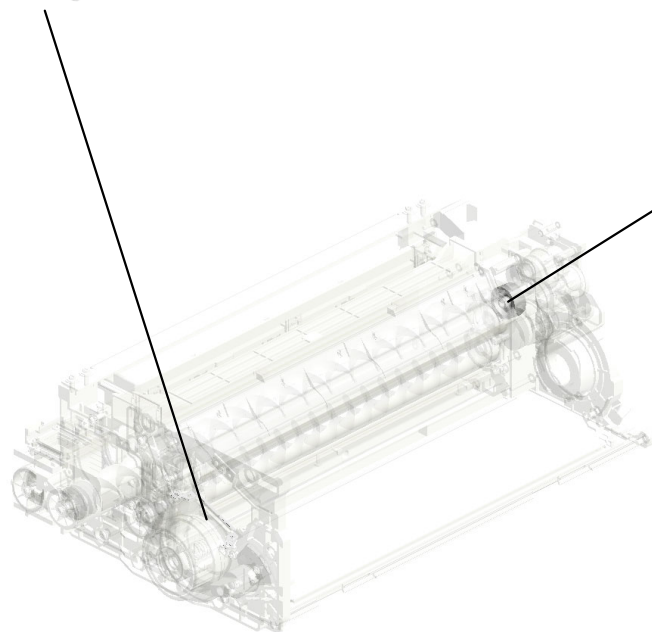
U005_S004
(for C and M):PCU:ASS'Y



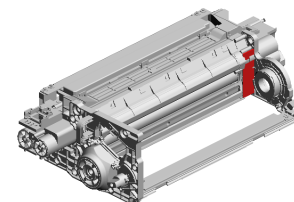
U001	U002	U003	U004	U005	U006	U007	U008	U009	U010	U011	U012	U013	U014	U015	U016	U017
------	------	------	------	------	------	------	------	------	------	------	------	------	------	------	------	------

U005_S004
(for C and M):PCU:ASS'Y

143.M2052365
(x3)
SPACER:HOLDER:
CHARGE CORONA
:FRONT



146.M2053067
GEAR:TRANSPOR
T SCREW:NO.3



125.M2052327
[A]
(for C and M):PCU:
ASS'Y
201609-02 O/O

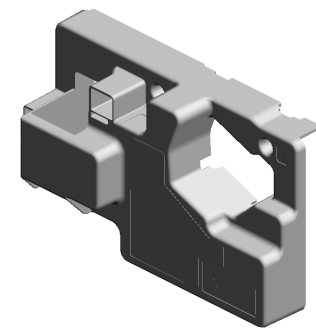


M2052317
[A]
(for C and M):PCU:
ASS'Y
201609-02 O/O

U001	U002	U003	U004	U005	U006	U007	U008	U009	U010	U011	U012	U013	U014	U015	U016	U017
------	------	------	------	------	------	------	------	------	------	------	------	------	------	------	------	------

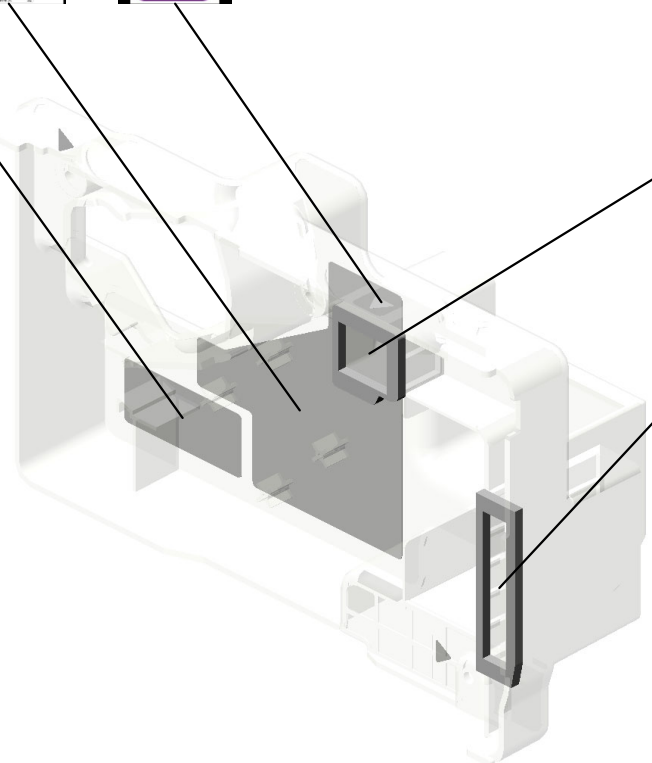
U005_S005
INNER COVER:PCU:ASS'Y

80.M2053044 39.D0743829
DECAL:WARNING: (x3)
PHOTOCONDUCT DECAL:POSITIONI
OR NG DISPLAY:TCRU



73.M2052335
INNER COVER:PC
U:ASS'Y

62.G0291980
DECAL - LD



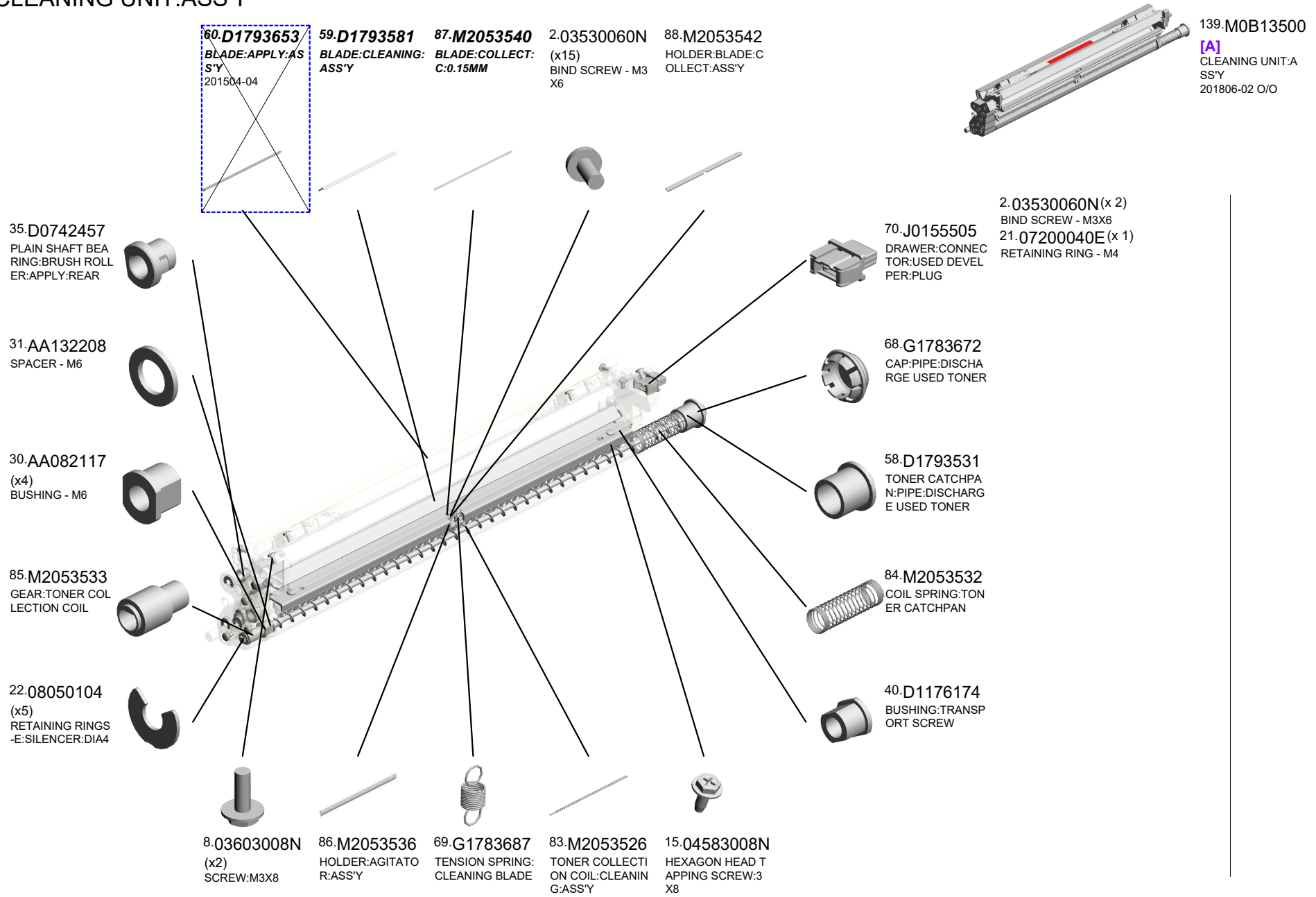
76.M2052391
SEAL:INNER COVE
R:PCU:UPPER



150.M0EDF543
SEAL:INNER COVE
R:PCU:LOWER
202306-02 O/O

U001	U002	U003	U004	U005	U006	U007	U008	U009	U010	U011	U012	U013	U014	U015	U016	U017
------	------	------	------	------	------	------	------	------	------	------	------	------	------	------	------	------

U005_S006
CLEANING UNIT:ASS'Y



U001	U002	U003	U004	U005	U006	U007	U008	U009	U010	U011	U012	U013	U014	U015	U016	U017
------	------	------	------	------	------	------	------	------	------	------	------	------	------	------	------	------

U005_S006
CLEANING UNIT:ASS'Y

98.M2053644 GEAR:APPLY:BRUSH
131.M2053662 SEAL:APPLY:FRONT
128.M2053585 SEAL:CLEANING BLADE:FRONT
100.M2053674 GEAR:IDLER:NO.1:Z19
101.M2053675 GEAR:IDLER:NO.2:Z17



139.M0B13500
[A]
CLEANING UNIT:ASS'Y
201806-02 O/O

105.M2053691
COVER:GEAR:ASS'Y



102.M2053676
GEAR:IDLER:NO.3:Z26



90.M2053549
GEAR:COLLECT:ASS'Y



91.M2053559
GEAR:BRUSH ROLLER:ASS'Y



103.M2053677
GEAR:IDLER:NO.4:Z16



97.M2053643
JOINT:CLEANING UNIT



130.M2053647
HOLDER:BEARING:APPLY:ASS'Y



132.M2053663
SEAL:APPLY:REAR



129.M2053586
SEAL:CLEANING BLADE:REAR



144.M2053553
HOLDER:SEPARATION PLATE:BRUSH ROLLER



94.M2053565 BRUSH ROLLER:CLEANING
138.M0B13652 BLADE:APPLY:ASS'Y
99.M2053645 BRUSH ROLLER:APPLY:SUB-ASS'Y
141.M0B13546 ROLLER:COLLECT:ASS'Y
96.M2053630 COATING BAR:ASS'Y

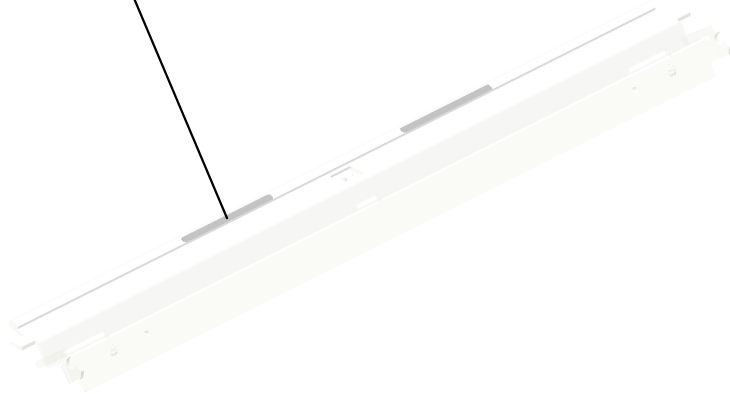


M2053501
[A]
CLEANING UNIT:ASS'Y
201806-02 O/O

U001	U002	U003	U004	U005	U006	U007	U008	U009	U010	U011	U012	U013	U014	U015	U016	U017
------	------	------	------	------	------	------	------	------	------	------	------	------	------	------	------	------

U005_S006_S001
BRACKET:CLEANING:ASS'Y

37.D0742542
(x2)
DECAL:GRIP

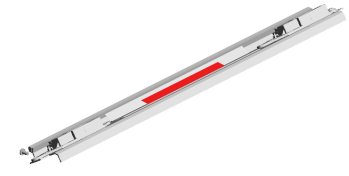


147.M2053577
BRACKET:CLEANI
NG:ASS'Y

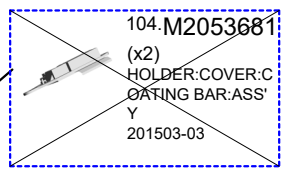
U001	U002	U003	U004	U005	U006	U007	U008	U009	U010	U011	U012	U013	U014	U015	U016	U017
------	------	------	------	------	------	------	------	------	------	------	------	------	------	------	------	------

U005_S006_S002
COVER:COATING BAR:ASS'Y

2.03530060N 17.04593008N
BIND SCREW - M3 (x4)
X6 BINDING HEAD TA
PPING SCREW:3X
8



111.M2053621
COVER:COATING
BAR:ASS'Y

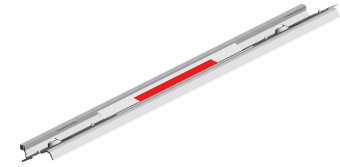


2.03530060N(x 1)
BIND SCREW - M3X6

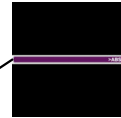
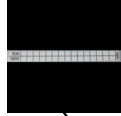
U001	U002	U003	U004	U005	U006	U007	U008	U009	U010	U011	U012	U013	U014	U015	U016	U017
------	------	------	------	------	------	------	------	------	------	------	------	------	------	------	------	------

U005_S006_S002_S001
COVER:COATING BAR:ASS'Y

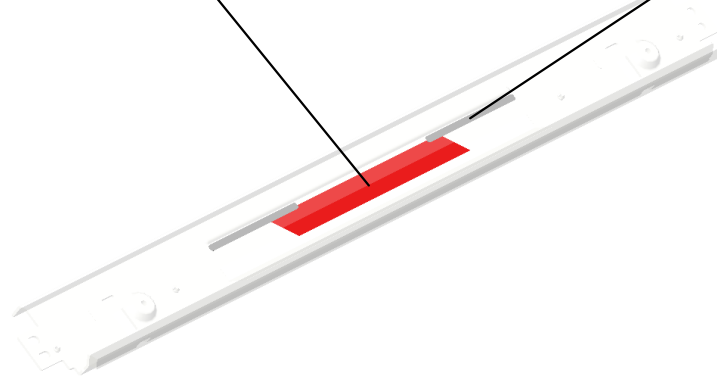
113.M2053627
DECAL:CLEANING
UNIT:DESIGN SKE
TCH
201507-08



95.M2053622
COVER:COATING
BAR:ASS'Y



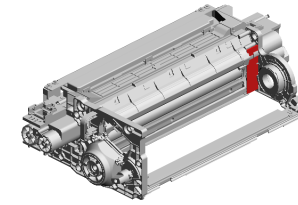
37.D0742542
(x2)
DECAL:GRIP



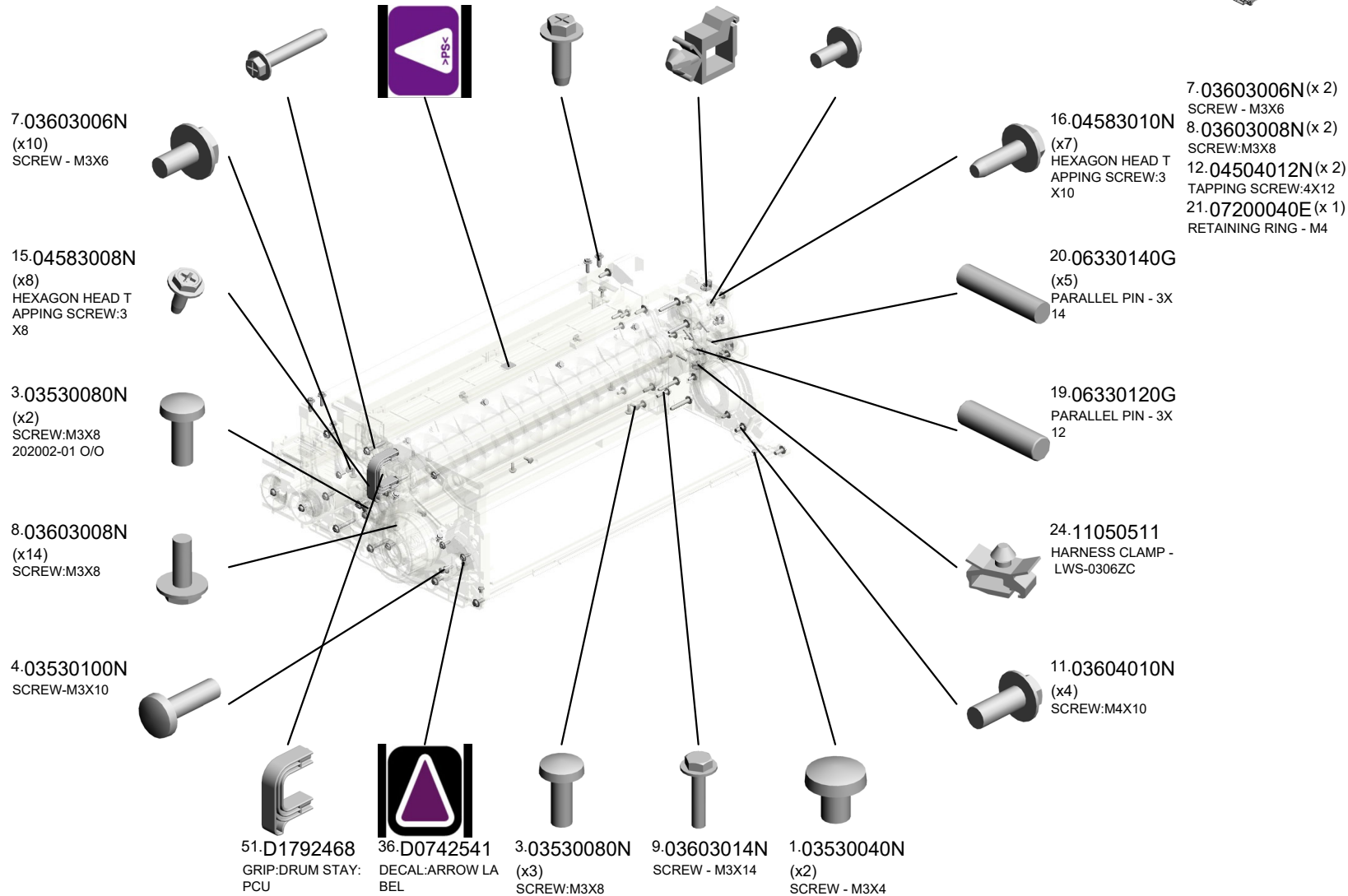
U001	U002	U003	U004	U005	U006	U007	U008	U009	U010	U011	U012	U013	U014	U015	U016	U017
------	------	------	------	------	------	------	------	------	------	------	------	------	------	------	------	------

U005_S007
(for C and M):PCU:ASS'Y

- 13.04504025N (x8) TAPPING SCREW: 4X25
- 39.D0743829 DECAL:POSITIONI NG DISPLAY:TCRU
- 12.04504012N (x13) TAPPING SCREW: 4X12
- 25.11050534 (x4) CLAMP
- 23.09543008N (x5) SCREW - M3X8

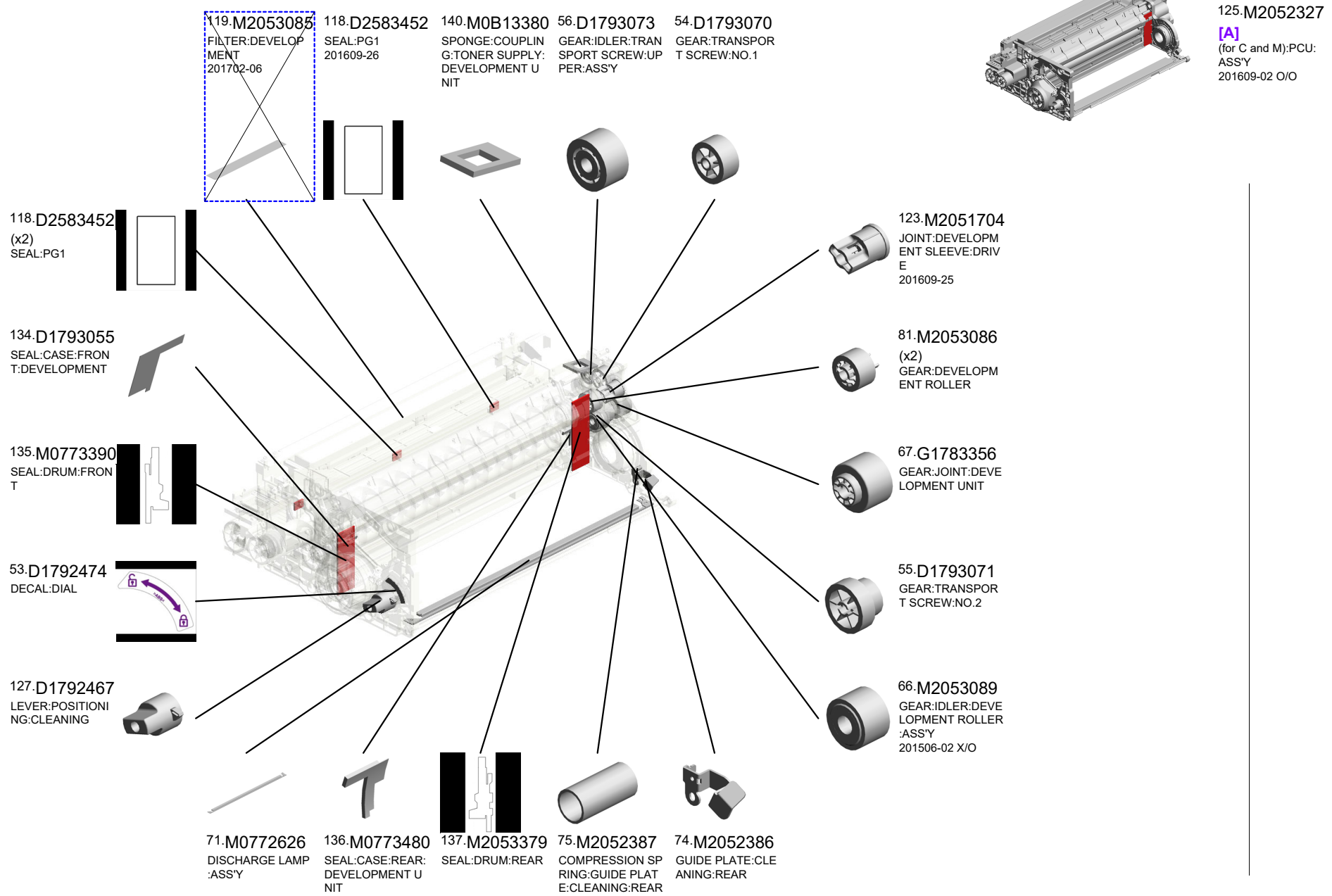


125.M2052327
[A]
(for C and M):PCU: ASS'Y
201609-02 O/O



U001	U002	U003	U004	U005	U006	U007	U008	U009	U010	U011	U012	U013	U014	U015	U016	U017
------	------	------	------	------	------	------	------	------	------	------	------	------	------	------	------	------

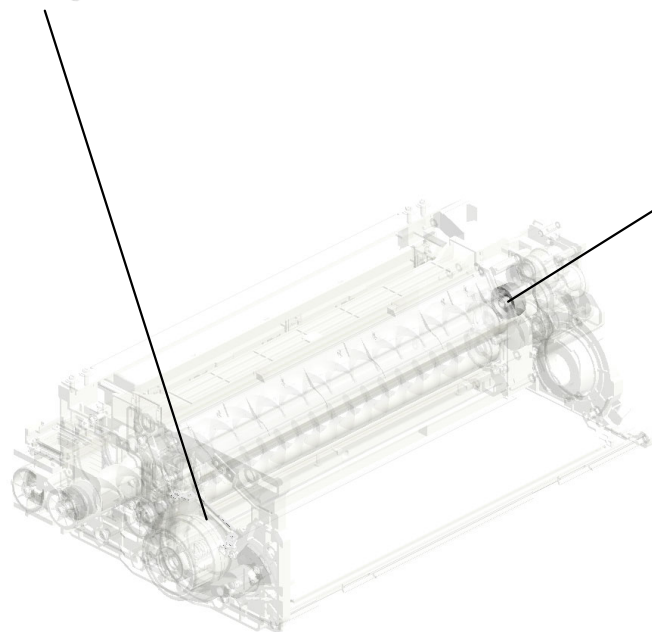
U005_S007
(for C and M):PCU:ASS'Y



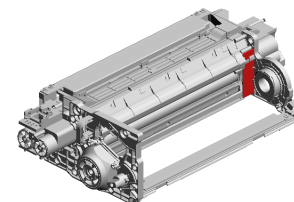
U001	U002	U003	U004	U005	U006	U007	U008	U009	U010	U011	U012	U013	U014	U015	U016	U017
------	------	------	------	------	------	------	------	------	------	------	------	------	------	------	------	------

U005_S007
(for C and M):PCU:ASS'Y

143.M2052365
(x3)
SPACER:HOLDER:
CHARGE CORONA
:FRONT



146.M2053067
GEAR:TRANSPOR
T SCREW:NO.3



125.M2052327
[A]
(for C and M):PCU:
ASS'Y
201609-02 O/O

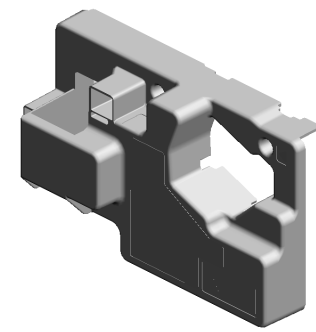


M2052317
[A]
(for C and M):PCU:
ASS'Y
201609-02 O/O

U001	U002	U003	U004	U005	U006	U007	U008	U009	U010	U011	U012	U013	U014	U015	U016	U017
------	------	------	------	------	------	------	------	------	------	------	------	------	------	------	------	------

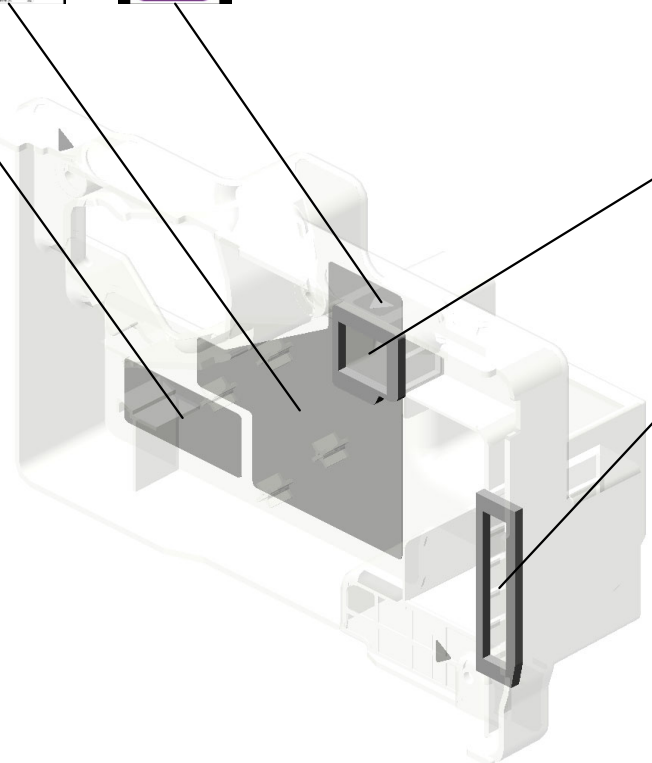
U005_S008
INNER COVER:PCU:ASS'Y

80.M2053044 39.D0743829
DECAL:WARNING: (x3)
PHOTOCONDUCT DECAL:POSITIONI
OR NG DISPLAY:TCRU



73.M2052335
INNER COVER:PC
U:ASS'Y

62.G0291980
DECAL - LD



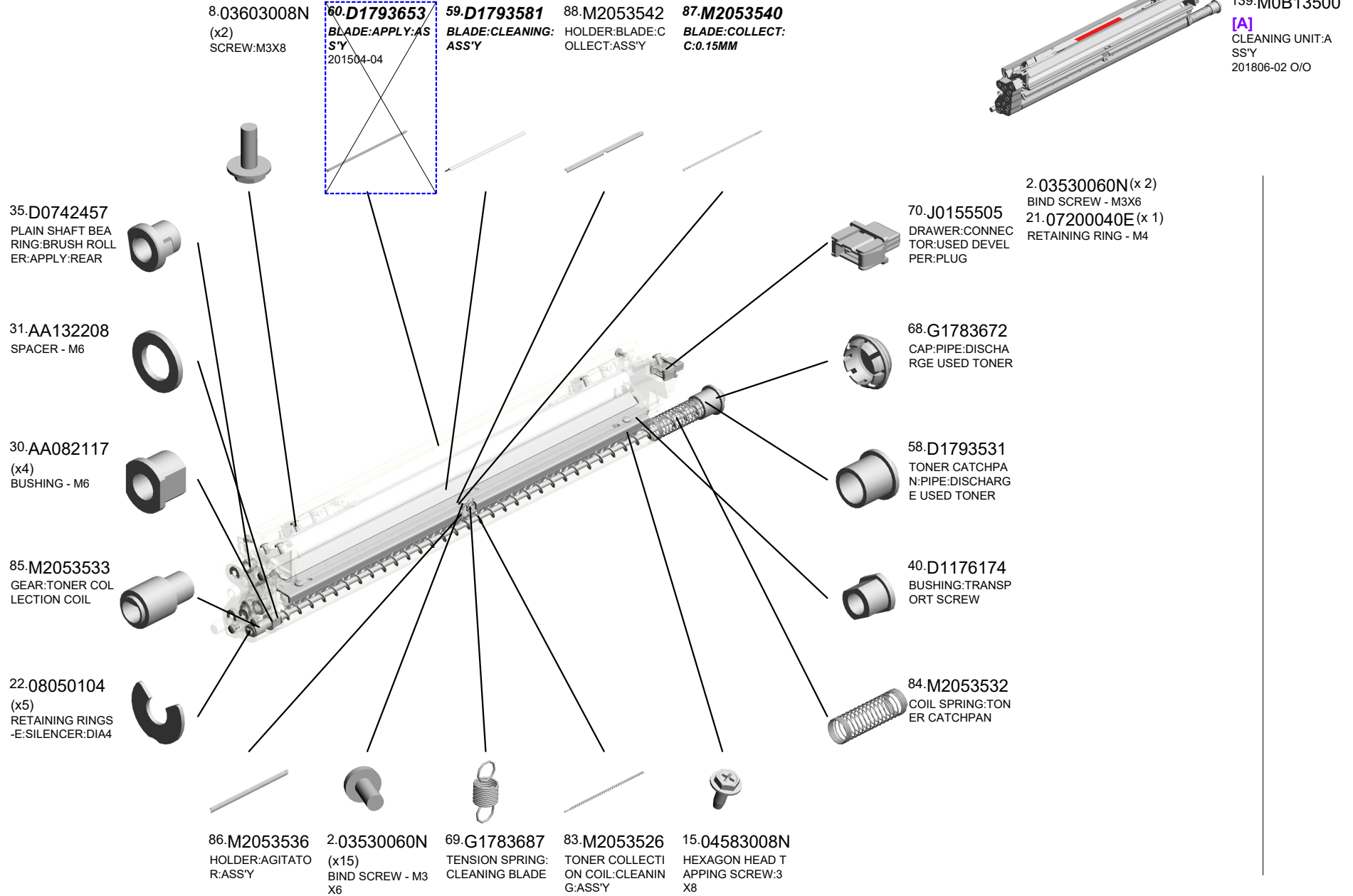
76.M2052391
SEAL:INNER COVE
R:PCU:UPPER



150.M0EDF543
SEAL:INNER COVE
R:PCU:LOWER
202306-02 O/O

U001	U002	U003	U004	U005	U006	U007	U008	U009	U010	U011	U012	U013	U014	U015	U016	U017
------	------	------	------	------	------	------	------	------	------	------	------	------	------	------	------	------

U005_S009
CLEANING UNIT:ASS'Y



U001	U002	U003	U004	U005	U006	U007	U008	U009	U010	U011	U012	U013	U014	U015	U016	U017
------	------	------	------	------	------	------	------	------	------	------	------	------	------	------	------	------

U005_S009
CLEANING UNIT:ASS'Y

98.M2053644 GEAR:APPLY:BRUSH
131.M2053662 SEAL:APPLY:FRONT
128.M2053585 SEAL:CLEANING BLADE:FRONT
100.M2053674 GEAR:IDLER:NO.1:Z19
101.M2053675 GEAR:IDLER:NO.2:Z17



139.M0B13500
[A]
CLEANING UNIT:A
SS'Y
201806-02 O/O

105.M2053691
COVER:GEAR:ASS'Y



102.M2053676
GEAR:IDLER:NO.3:Z26



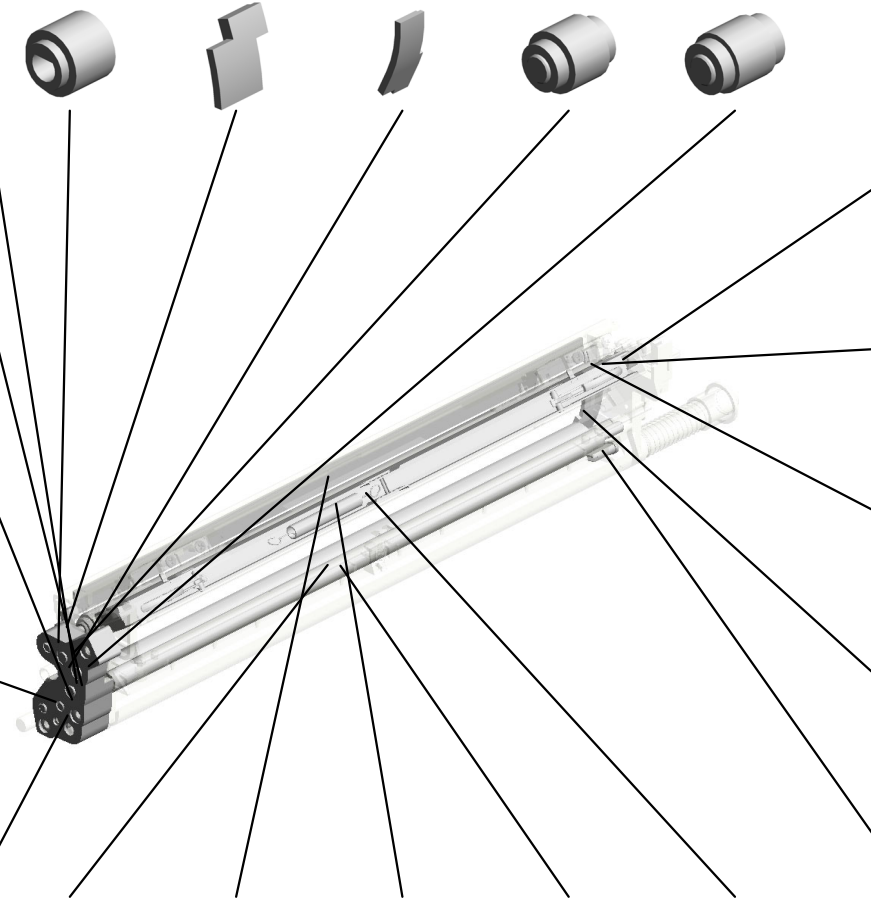
90.M2053549
GEAR:COLLECT:ASS'Y



91.M2053559
GEAR:BRUSH ROLLER:ASS'Y



103.M2053677
GEAR:IDLER:NO.4:Z16



97.M2053643
JOINT:CLEANING UNIT



130.M2053647
HOLDER:BEARING:APPLY:ASS'Y



132.M2053663
SEAL:APPLY:REAR



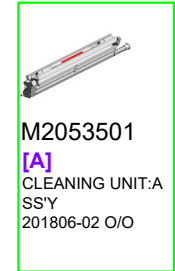
129.M2053586
SEAL:CLEANING BLADE:REAR



144.M2053553
HOLDER:SEPARATION PLATE:BRUSH ROLLER



94.M2053565 BRUSH ROLLER:CLEANING
138.M0B13652 BLADE:APPLY:ASS'Y
201805-02 X/O
99.M2053645 BRUSH ROLLER:APPLY:SUB-ASS'Y
141.M0B13546 ROLLER:COLLECT:ASS'Y
201909-02 O/O
96.M2053630 COATING BAR:ASS'Y

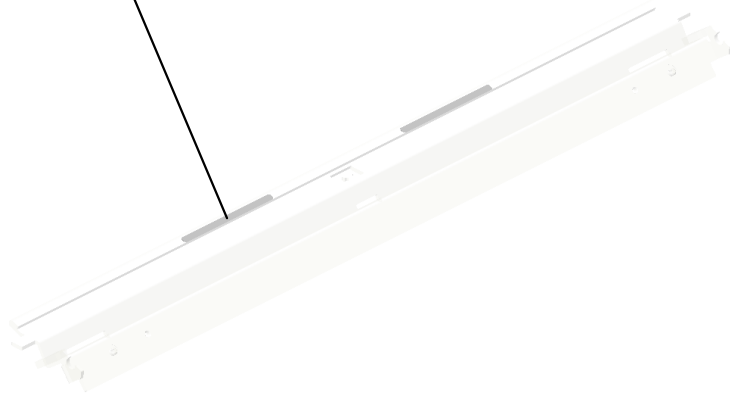


M2053501
[A]
CLEANING UNIT:A
SS'Y
201806-02 O/O

U001	U002	U003	U004	U005	U006	U007	U008	U009	U010	U011	U012	U013	U014	U015	U016	U017
------	------	------	------	------	------	------	------	------	------	------	------	------	------	------	------	------

U005_S009_S001
BRACKET:CLEANING:ASS'Y

37.D0742542
(x2)
DECAL:GRIP

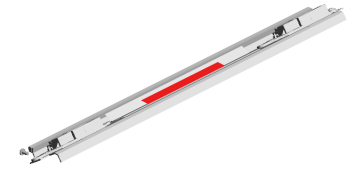


147.M2053577
BRACKET:CLEANI
NG:ASS'Y

U001	U002	U003	U004	U005	U006	U007	U008	U009	U010	U011	U012	U013	U014	U015	U016	U017
------	------	------	------	------	------	------	------	------	------	------	------	------	------	------	------	------

U005_S009_S002
COVER:COATING BAR:ASS'Y

2.03530060N 17.04593008N
(x2) (x4)
BIND SCREW - M3 BINDING HEAD TA
X6 PPING SCREW:3X
8



111.M2053621
COVER:COATING
BAR:ASS'Y

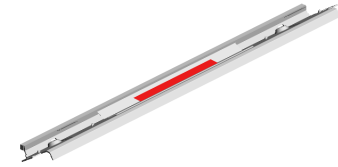


~~104.M2053681
(x2)
HOLDER:COVER:C
OATING BAR:ASS'
Y
201503-03~~

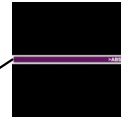
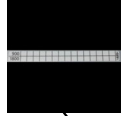
U001	U002	U003	U004	U005	U006	U007	U008	U009	U010	U011	U012	U013	U014	U015	U016	U017
------	------	------	------	------	------	------	------	------	------	------	------	------	------	------	------	------

U005_S009_S002_S001
COVER:COATING BAR:ASS'Y

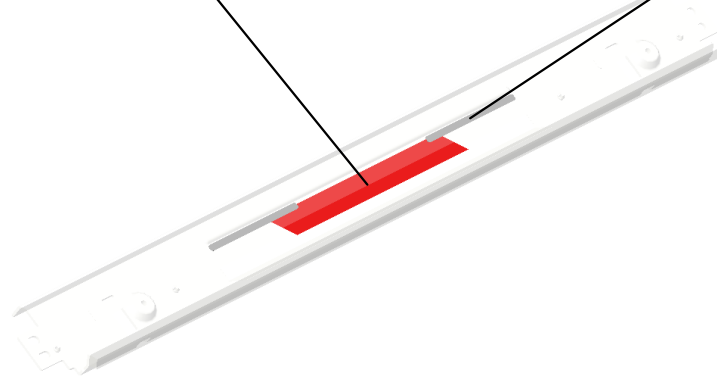
113.M2053627
DECAL:CLEANING
UNIT:DESIGN SKE
TCH
201507-08



95.M2053622
COVER:COATING
BAR:ASS'Y



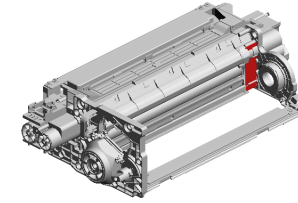
37.D0742542
(x2)
DECAL:GRIP



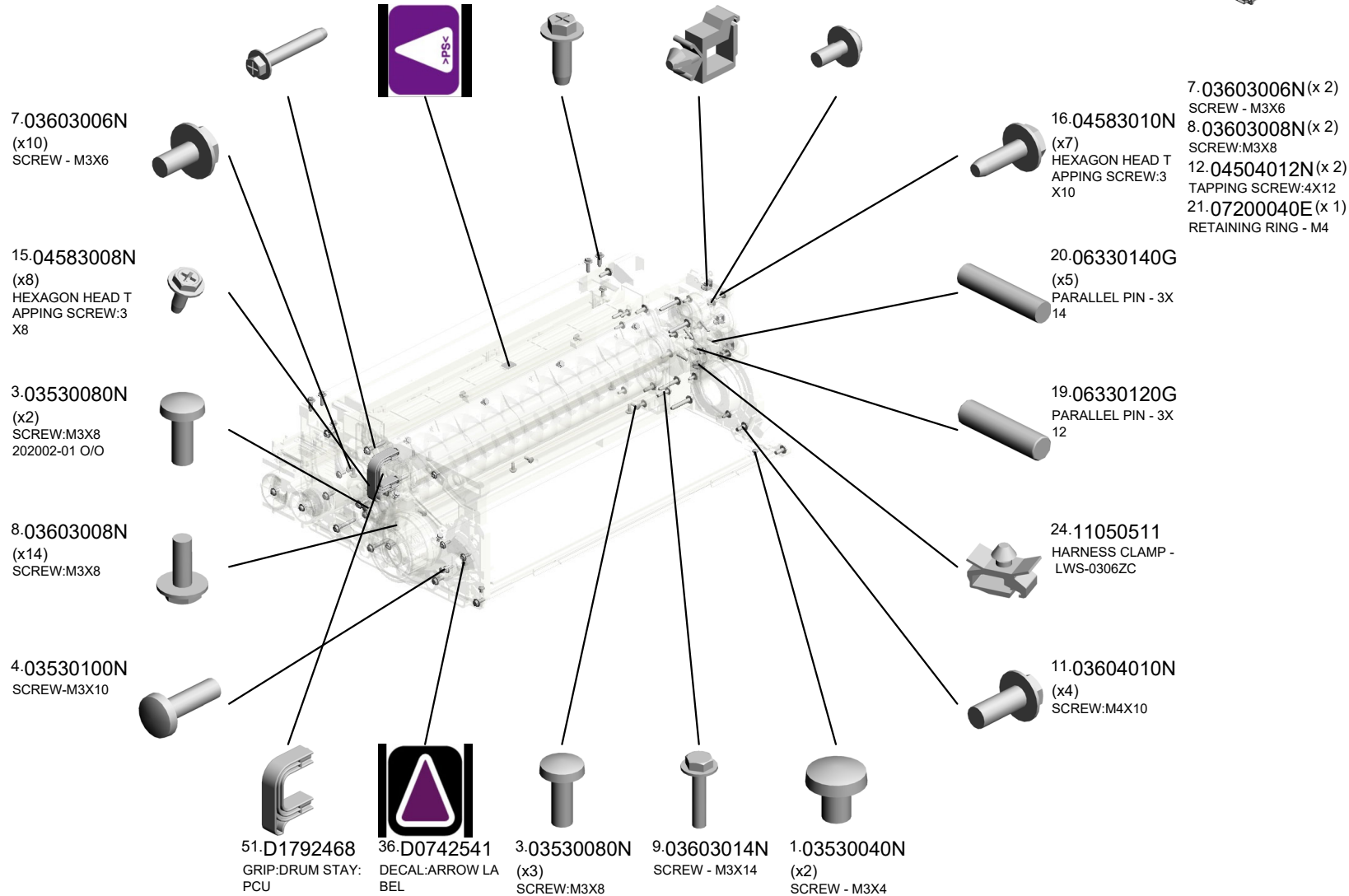
U001	U002	U003	U004	U005	U006	U007	U008	U009	U010	U011	U012	U013	U014	U015	U016	U017
------	------	------	------	------	------	------	------	------	------	------	------	------	------	------	------	------

U005_S010
(for Y):PCU:ASS'Y

- 13.04504025N (x8) TAPPING SCREW: 4X25
- 39.D0743829 DECAL:POSITIONI NG DISPLAY:TCRU
- 12.04504012N (x13) TAPPING SCREW: 4X12
- 25.11050534 (x4) CLAMP
- 23.09543008N (x5) SCREW - M3X8

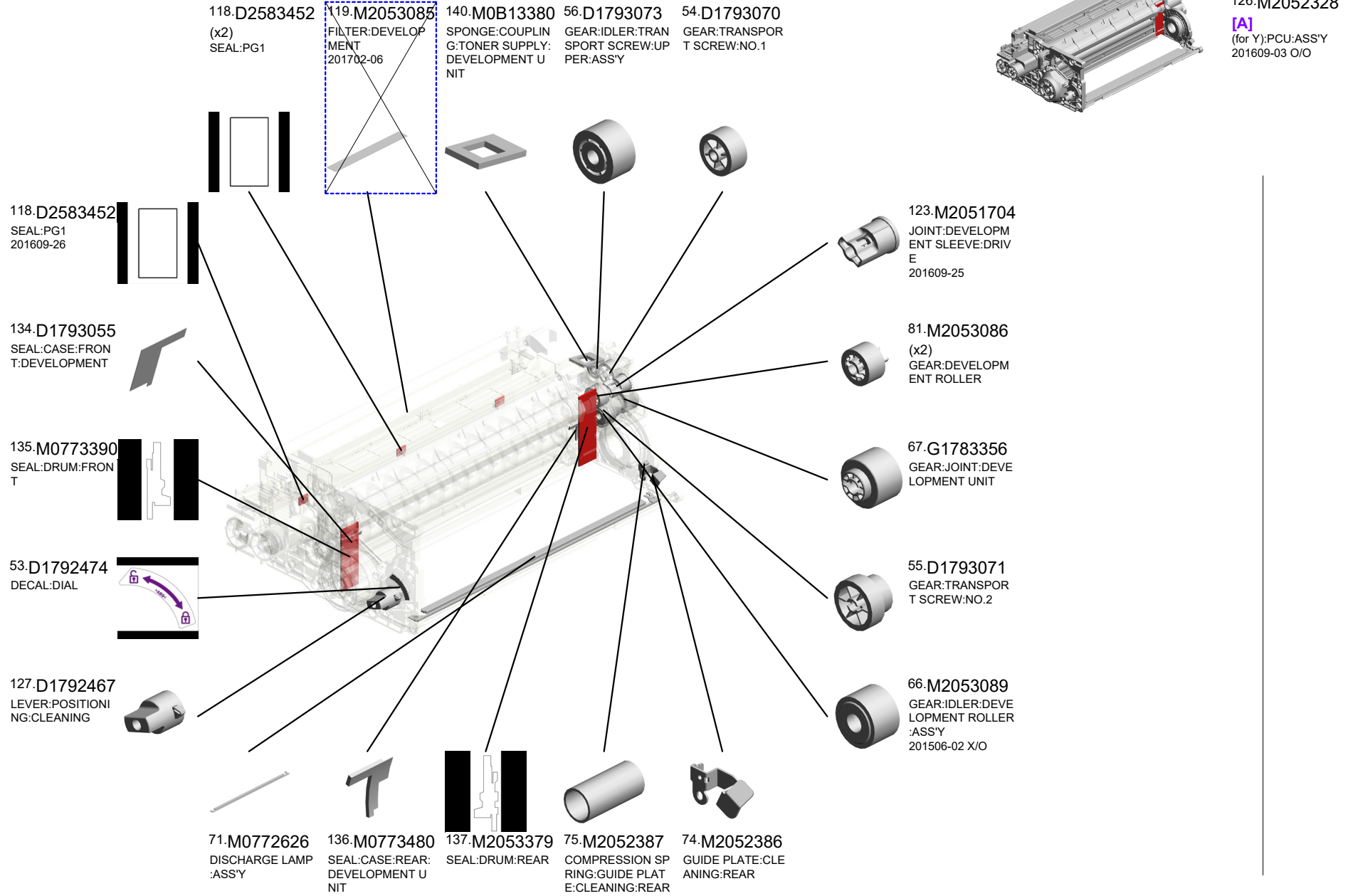


126.M2052328
[A]
(for Y):PCU:ASS'Y
201609-03 O/O



U001	U002	U003	U004	U005	U006	U007	U008	U009	U010	U011	U012	U013	U014	U015	U016	U017
------	------	------	------	------	------	------	------	------	------	------	------	------	------	------	------	------

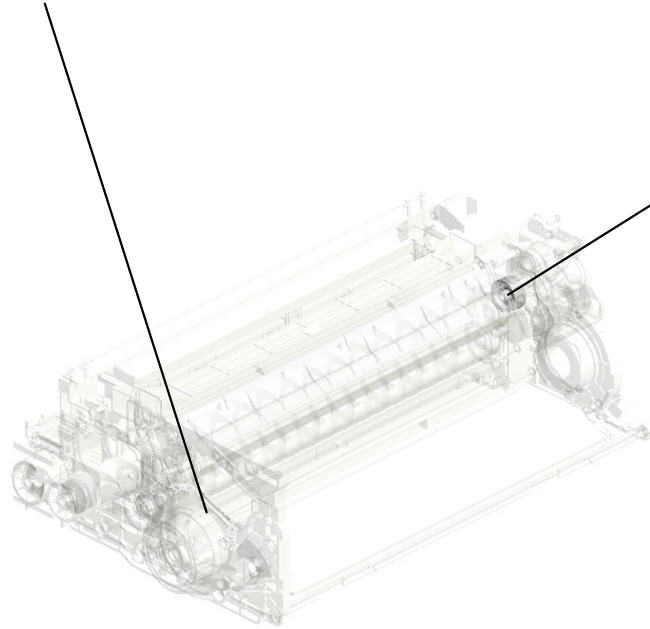
U005_S010
(for Y):PCU:ASS'Y



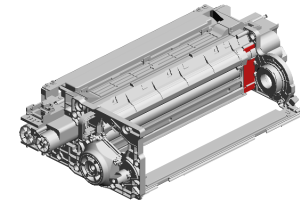
U001	U002	U003	U004	U005	U006	U007	U008	U009	U010	U011	U012	U013	U014	U015	U016	U017
------	------	------	------	------	------	------	------	------	------	------	------	------	------	------	------	------

U005_S010
(for Y):PCU:ASS'Y

143.M2052365
(x3)
SPACER:HOLDER:
CHARGE CORONA
:FRONT



146.M2053067
GEAR:TRANSPOR
T SCREW:NO.3



126.M2052328
[A]
(for Y):PCU:ASS'Y
201609-03 O/O

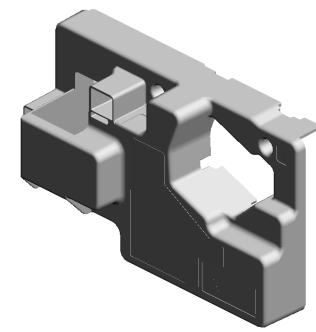


M2052318
[A]
(for Y):PCU:ASS'Y
201609-03 O/O

U001	U002	U003	U004	U005	U006	U007	U008	U009	U010	U011	U012	U013	U014	U015	U016	U017
------	------	------	------	------	------	------	------	------	------	------	------	------	------	------	------	------

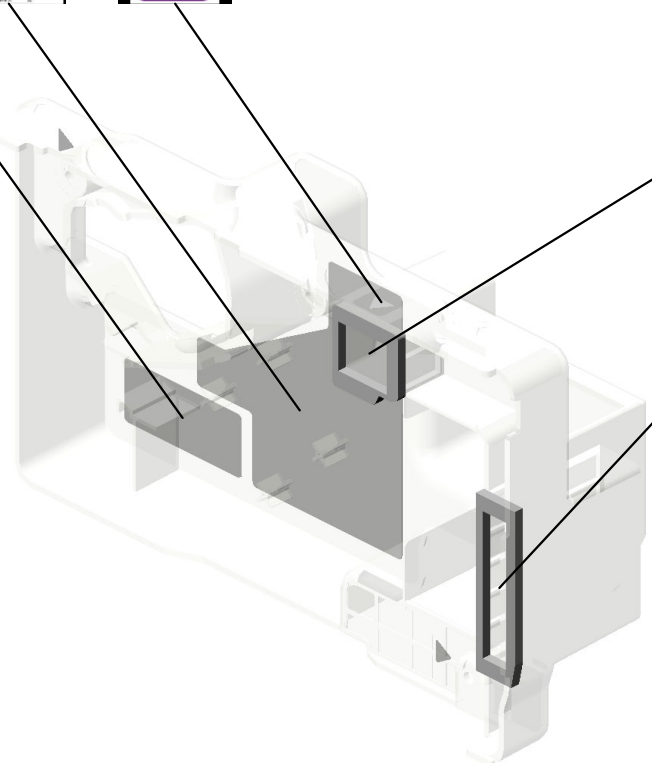
U005_S011
INNER COVER:PCU:ASS'Y

80.M2053044 39.D0743829
DECAL:WARNING: (x3)
PHOTOCONDUCT DECAL:POSITIONI
OR NG DISPLAY:TCRU



73.M2052335
INNER COVER:PC
U:ASS'Y

62.G0291980
DECAL - LD



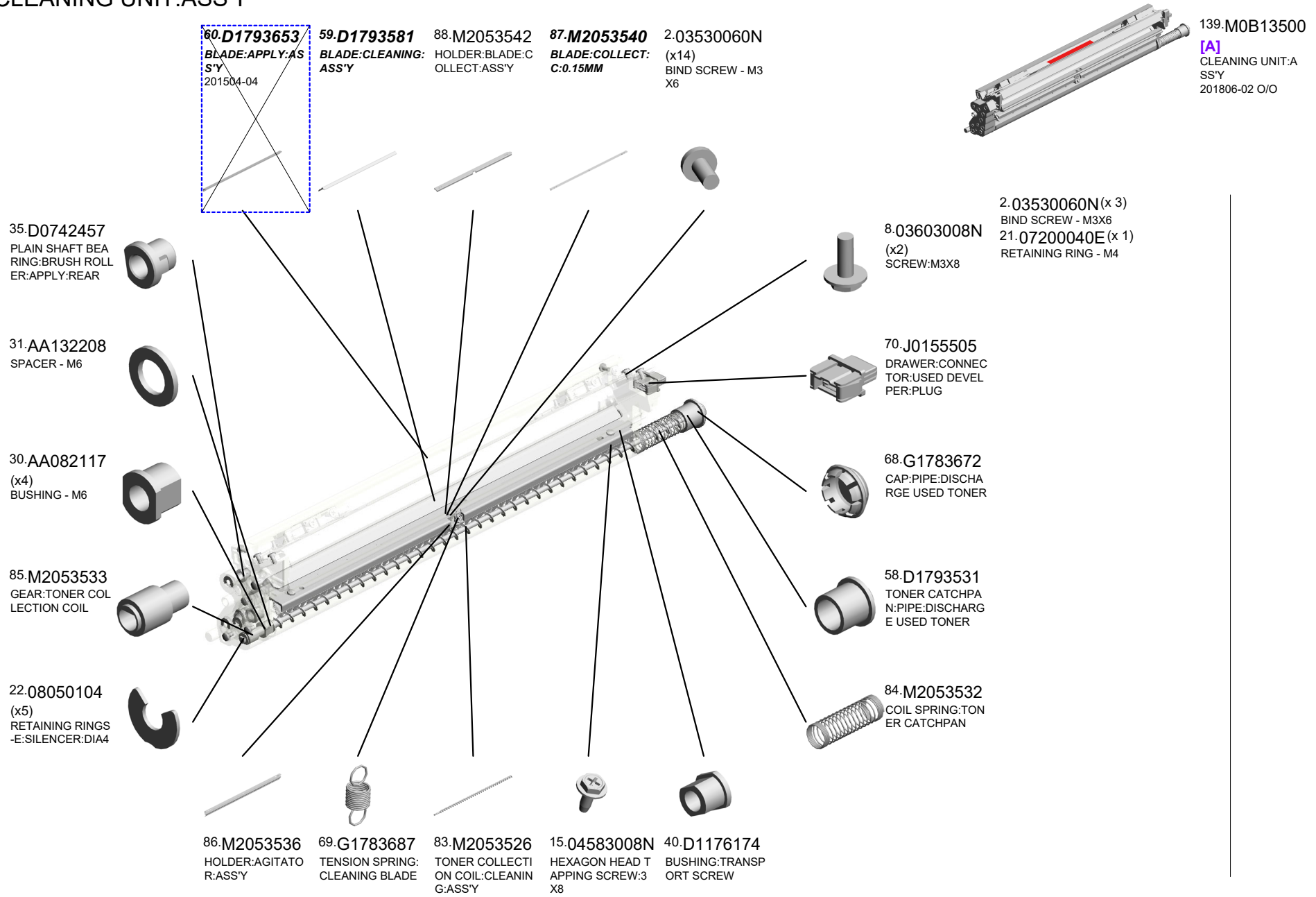
76.M2052391
SEAL:INNER COVE
R:PCU:UPPER



150.M0EDF543
SEAL:INNER COVE
R:PCU:LOWER
202306-02 O/O

U001	U002	U003	U004	U005	U006	U007	U008	U009	U010	U011	U012	U013	U014	U015	U016	U017
------	------	------	------	------	------	------	------	------	------	------	------	------	------	------	------	------

U005_S012
CLEANING UNIT:ASS'Y



U001	U002	U003	U004	U005	U006	U007	U008	U009	U010	U011	U012	U013	U014	U015	U016	U017
------	------	------	------	------	------	------	------	------	------	------	------	------	------	------	------	------

U005_S012
CLEANING UNIT:ASS'Y

98.M2053644 GEAR:APPLY:BRUSH
131.M2053662 SEAL:APPLY:FRONT
128.M2053585 SEAL:CLEANING BLADE:FRONT
100.M2053674 GEAR:IDLER:NO.1:Z19
101.M2053675 GEAR:IDLER:NO.2:Z17



139.M0B13500
[A]
CLEANING UNIT:ASS'Y
201806-02 O/O

105.M2053691
COVER:GEAR:ASS'Y



102.M2053676
GEAR:IDLER:NO.3:Z26



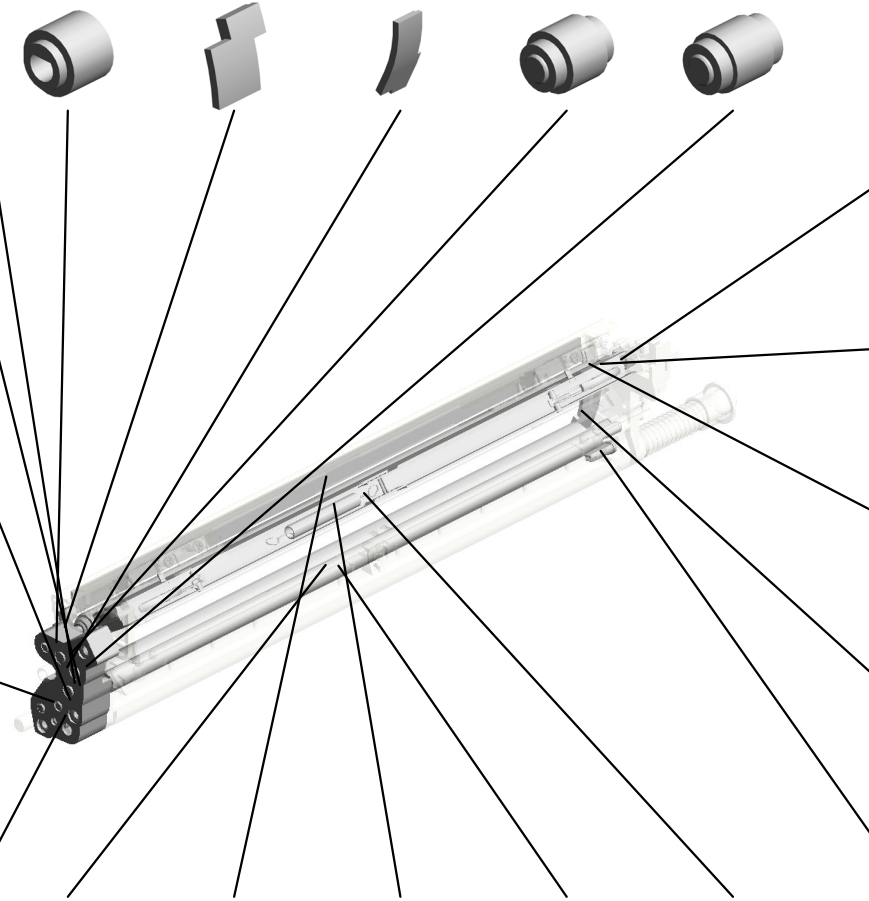
90.M2053549
GEAR:COLLECT:ASS'Y



91.M2053559
GEAR:BRUSH ROLLER:ASS'Y



103.M2053677
GEAR:IDLER:NO.4:Z16



97.M2053643
JOINT:CLEANING UNIT



130.M2053647
HOLDER:BEARING:APPLY:ASS'Y



132.M2053663
SEAL:APPLY:REAR



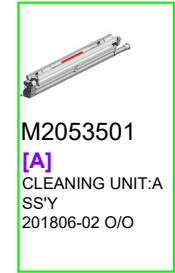
129.M2053586
SEAL:CLEANING BLADE:REAR



144.M2053553
HOLDER:SEPARATION PLATE:BRUSH ROLLER



94.M2053565 BRUSH ROLLER:CLEANING
138.M0B13652 BLADE:APPLY:ASS'Y
99.M2053645 BRUSH ROLLER:APPLY:SUB-ASS'Y
141.M0B13546 ROLLER:COLLECT:ASS'Y
96.M2053630 COATING BAR:ASS'Y

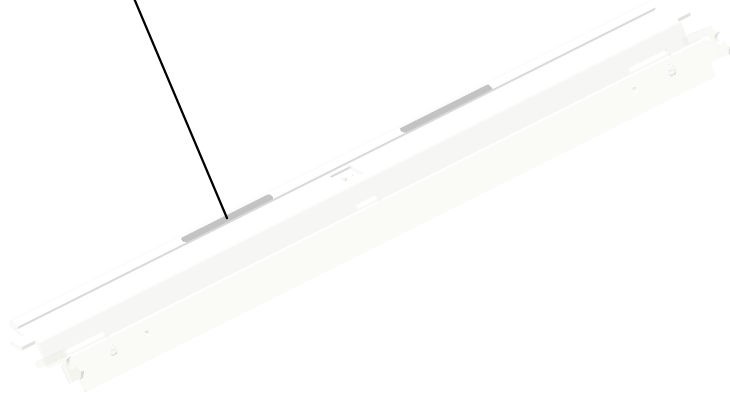


M2053501
[A]
CLEANING UNIT:ASS'Y
201806-02 O/O

U001	U002	U003	U004	U005	U006	U007	U008	U009	U010	U011	U012	U013	U014	U015	U016	U017
------	------	------	------	------	------	------	------	------	------	------	------	------	------	------	------	------

U005_S012_S001
BRACKET:CLEANING:ASS'Y

37.D0742542
(x2)
DECAL:GRIP



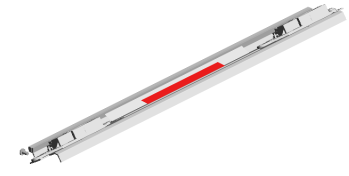
147.M2053577
BRACKET:CLEANI
NG:ASS'Y

U001	U002	U003	U004	U005	U006	U007	U008	U009	U010	U011	U012	U013	U014	U015	U016	U017
------	------	------	------	------	------	------	------	------	------	------	------	------	------	------	------	------

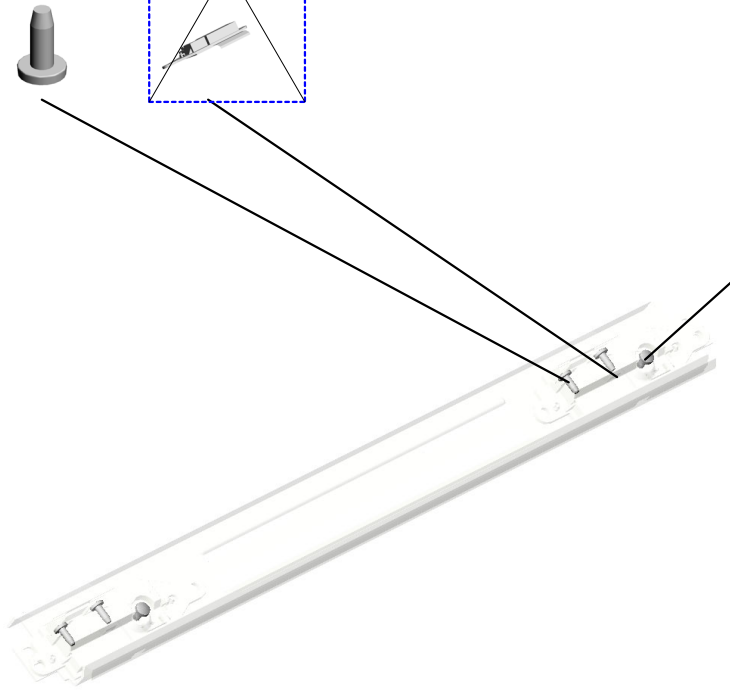
U005_S012_S002
COVER:COATING BAR:ASS'Y

17.04593008N
(x4)
BINDING HEAD TA
PPING SCREW:3X
8

~~104.M2053681
(x2)
HOLDER:COVER:C
OATING BAR:ASS'
Y
201503-03~~



111.M2053621
COVER:COATING
BAR:ASS'Y

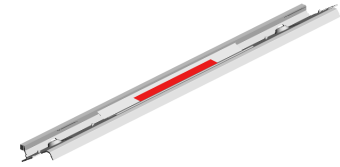


2.03530060N
(x2)
BIND SCREW - M3
X6

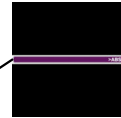
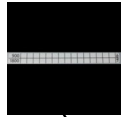
U001	U002	U003	U004	U005	U006	U007	U008	U009	U010	U011	U012	U013	U014	U015	U016	U017
------	------	------	------	------	------	------	------	------	------	------	------	------	------	------	------	------

U005_S012_S002_S001
COVER:COATING BAR:ASS'Y

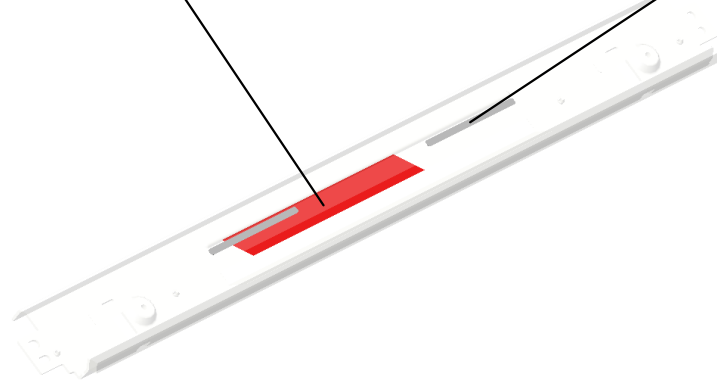
113.M2053627
DECAL:CLEANING
UNIT:DESIGN SKE
TCH
201507-08



95.M2053622
COVER:COATING
BAR:ASS'Y



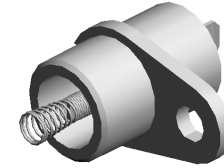
37.D0742542
(x2)
DECAL:GRIP



U001	U002	U003	U004	U005	U006	U007	U008	U009	U010	U011	U012	U013	U014	U015	U016	U017
------	------	------	------	------	------	------	------	------	------	------	------	------	------	------	------	------

U005_S013
RECEPTACLE:DEVELOPMENT VIAS:ASS'Y

29-AA063371
SPRING



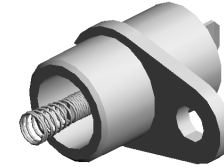
57-D1793131
RECEPTACLE:DEV
ELOPMENT VIAS:A
SS'Y



U001	U002	U003	U004	U005	U006	U007	U008	U009	U010	U011	U012	U013	U014	U015	U016	U017
------	------	------	------	------	------	------	------	------	------	------	------	------	------	------	------	------

U005_S014
RECEPTACLE:DEVELOPMENT VIAS:ASS'Y

29-AA063371
SPRING



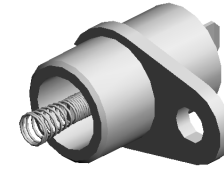
57-D1793131
RECEPTACLE:DEV
ELOPMENT VIAS:A
SS'Y



U001	U002	U003	U004	U005	U006	U007	U008	U009	U010	U011	U012	U013	U014	U015	U016	U017
------	------	------	------	------	------	------	------	------	------	------	------	------	------	------	------	------

U005_S015
RECEPTACLE:DEVELOPMENT VIAS:ASS'Y

29-AA063371
SPRING



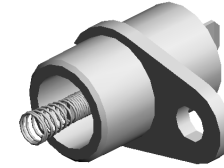
57-D1793131
RECEPTACLE:DEV
ELOPMENT VIAS:A
SS'Y



U001	U002	U003	U004	U005	U006	U007	U008	U009	U010	U011	U012	U013	U014	U015	U016	U017
------	------	------	------	------	------	------	------	------	------	------	------	------	------	------	------	------

U005_S016
RECEPTACLE:DEVELOPMENT VIAS:ASS'Y

29-AA063371
SPRING



57-D1793131
RECEPTACLE:DEV
ELOPMENT VIAS:A
SS'Y



U001	U002	U003	U004	U005	U006	U007	U008	U009	U010	U011	U012	U013	U014	U015	U016	U017
------	------	------	------	------	------	------	------	------	------	------	------	------	------	------	------	------

U006.ITB UNIT

U006 S002
M0B11575
STEPPED SCREW:DIAPHRA
GM SPRING:ASS'Y

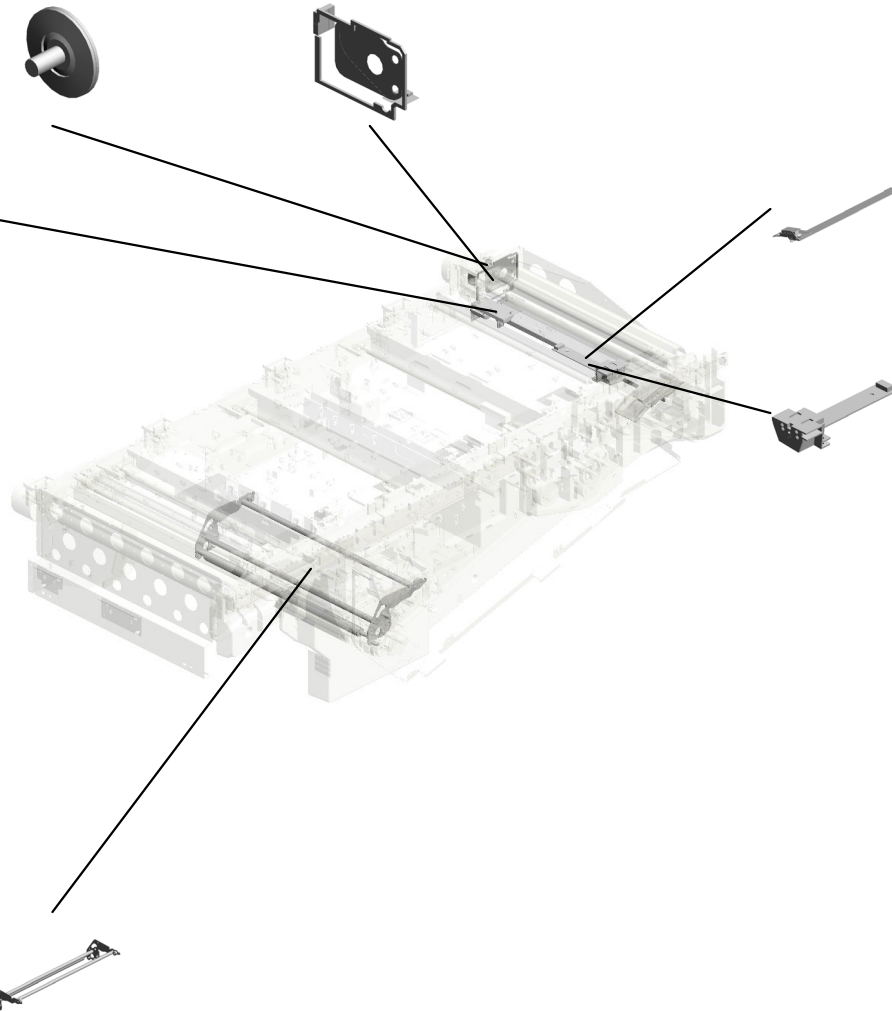
U006 S006
M0B11360
SERVICE PARTS:SEAL:HOU
SING:DRIVE:MIDDLE

U006 S001
M0B11368
POSITIONING SENSOR:FLAT
BELT-TRANSFER:ASS'Y

U006 S005
M2051595
CLEANER:FLAT BELT-TRAN
SFER:RIGHT LOWER:ASS'Y

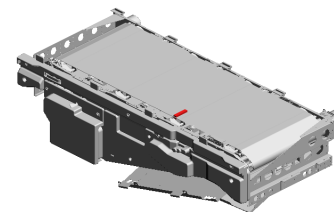
U006 S003
M2052100
POSITIONING SENSOR:SCA
LE:INTERMEDIATE TRANSF
ER:ASS'Y

U006 S004
M2056490
BRACKET:ROLLER:ENTRAN
CE:INTERMEDIATE TRANSF
ER:SUB-ASS'Y



U001	U002	U003	U004	U005	U006	U007	U008	U009	U010	U011	U012	U013	U014	U015	U016	U017
------	------	------	------	------	-------------	------	------	------	------	------	------	------	------	------	------	------

U006 ITB UNIT



- 12.04503010N (x4) TAPPING SCREW - M3X10
- 4.03540060N (x3) SCREW-M4X6
- 15.04583010N (x3) HEXAGON HEAD TAPPING SCREW:3 X10
- 10.03604008N (x13) SCREW - M4X8
- 22.07403808 (x2) BALL BEARING - 8 X16X5MM

- 20.07200060E (x13) RETAINING RING - M6

- 21.07403706 (x8) BALL BEARING - M 6X10X3

- 17.07010050N WASHER: DIA5

- 23.08010236 (x9) HEXAGONAL BOLT :DOUBLE SCREW: M4X8

- 13.04543006Q (x31) TAPPING SCREW - M3X6



- 8.03603014N (x11) SCREW - M3X14
- 11.04503008N (x27) TAPPING SCREW - M3X8
- 14.04543008Q TAPPING SCREW: 3X8
- 16.06330120G PARALLEL PIN - 3X 12
- 1.03140100N (x4) PAN HEAD SCREW :M4X10

- 2.03520040N (x4) SCREW M2X4

- 7.03603008N (x3) SCREW:M3X8

- 6.03603006N (x221) SCREW - M3X6

- 9.03604006N (x6) SCREW - M4X6

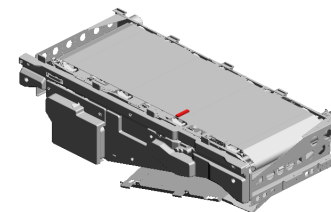
- 3.03530040N (x4) SCREW - M3X4

- 32.11050723 (x2) CLAMPS:WES-050 7
- 36.11050758 CLAMP:LWSM-030 6A

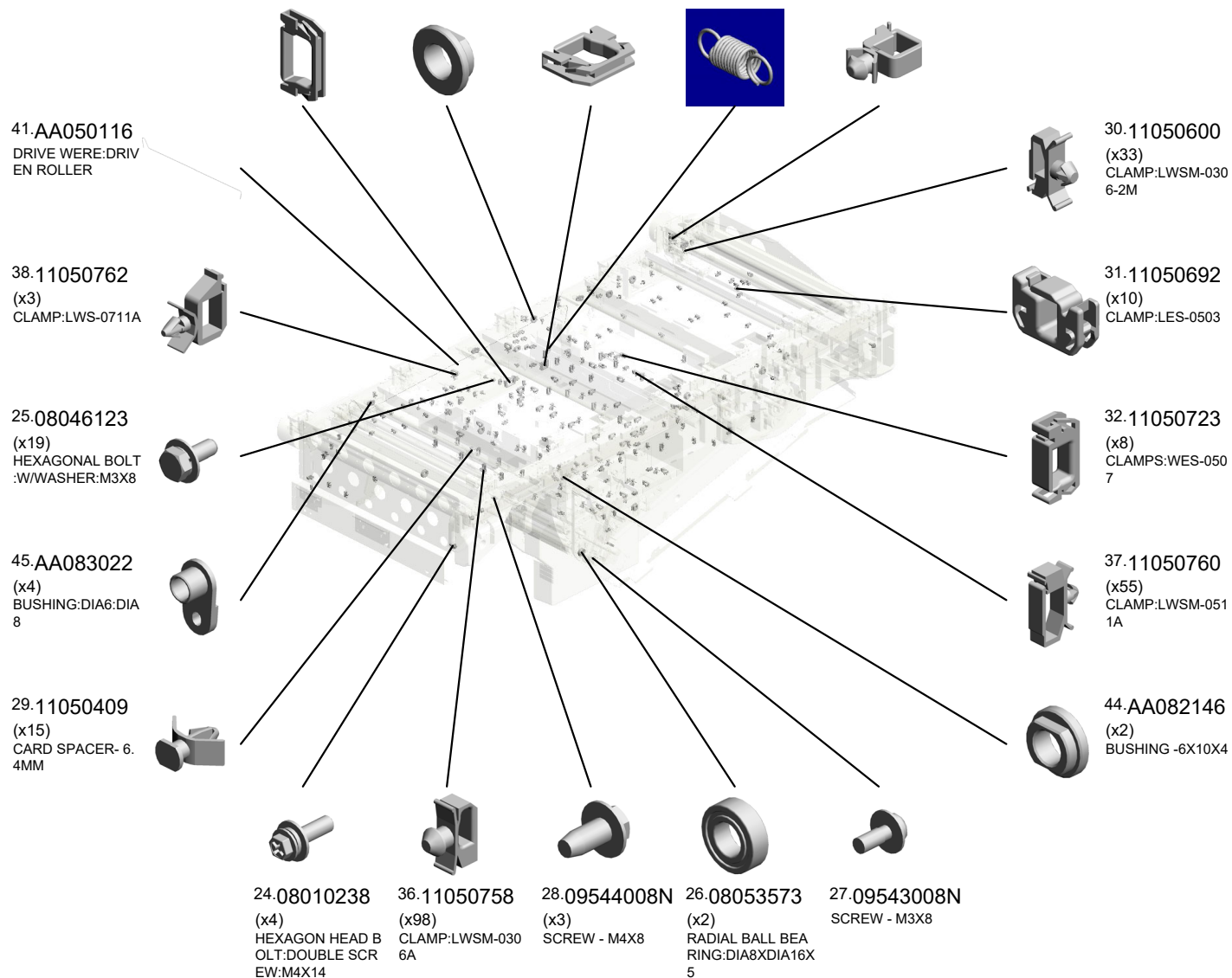
- 6.03603006N (x15) SCREW - M3X6
- 18.07200030E (x 1) RETAINING RING - M3
- 19.07200040E (x26) RETAINING RING - M4

U001	U002	U003	U004	U005	U006	U007	U008	U009	U010	U011	U012	U013	U014	U015	U016	U017
------	------	------	------	------	------	------	------	------	------	------	------	------	------	------	------	------

U006 ITB UNIT

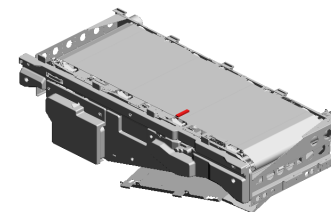


- 34.11050725 CLAMPS:WES-1117
- 39.54466214 (x8) SHAFT HOLDER - PICK-UP ROLLER
- 33.11050724 CLAMPS:WES-1210
- 42.AA061067 TENSION SPRING: DRIVE WERE:DRIVE
- 35.11050751 CLAMP:LWSM-0606-3.2M



U001	U002	U003	U004	U005	U006	U007	U008	U009	U010	U011	U012	U013	U014	U015	U016	U017
------	------	------	------	------	------	------	------	------	------	------	------	------	------	------	------	------

U006 ITB UNIT



- 63.C2672944 (x3) SCREW:ACTUATOR: SURFACE OF PAPER SENSOR
- 59.AZ300066 (x3) POWER PACK:T2
- 60.AZ310041 POWER PACK:TRANSFER NSFER
- 57.AX060393 DC STEPPER MOTOR:MM42:1.3A:4.42V
- 54.AW020210 (x2) OPTICS SENSOR:ENCODER:300LPI

- 49.AB032072 (x3) PULLEY:DRIVEN:WIRE

- 52.AW020198 (x2) PHOTOINTERRUPTOR:LG2A14NL1

- 64.D0742577 CONNECTOR:DRAWER:4POLE:REC

- 51.AW020166 (x2) PHOTOINTERRUPTOR:PAPER FEED SENSOR

- 67.D0743845 (x5) FLAT NUT:INNER COVER:INTERMEDIATE TRANSFER

- 65.D0743824 (x2) PLATE:ROLLER:INTERMEDIATE TRANSFER
- 58.AZ300065 (x4) POWER PACK:T1
- 48.AA161174 CUSHION:DC STEPPER MOTOR
- 62.B8904094 TIMING BELT:B60S3M297
- 50.AC020153 LENS:LED:4

- 47.AA143744 (x4) STEPPED SCREW

- 53.AW020203 (x2) PHOTOINTERRUPTOR:GP1A173LCS2F

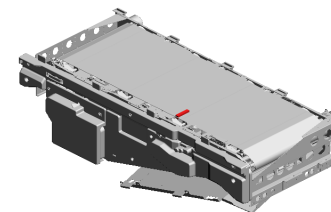
- 61.B2342390 (x5) FLANGED HEXAGONAL HEAD BOLT:M4X8

- 46.AA143544 SCREW - M3

- 66.D0743829 (x5) DECAL:POSITIONING DISPLAY:TCRU

U001	U002	U003	U004	U005	U006	U007	U008	U009	U010	U011	U012	U013	U014	U015	U016	U017
------	------	------	------	------	------	------	------	------	------	------	------	------	------	------	------	------

U006
ITB UNIT



- 77.D0744351 (x2) STEPPED SCREW: DIA5.4DIA:DIA3.5M3
- 81.D0746125 (x2) FEELER:ON-OFF:INTERMEDIATE TRANSFER:BLACK
- 69.D0743871 STOPPER:WIRE:PULLEY
- 70.D0743872 PULLEY:DRIVE WHEEL:ASS'Y
- 73.D0743881 BRACKET:DC STEPPER MOTOR:POSITIONING CONTROL

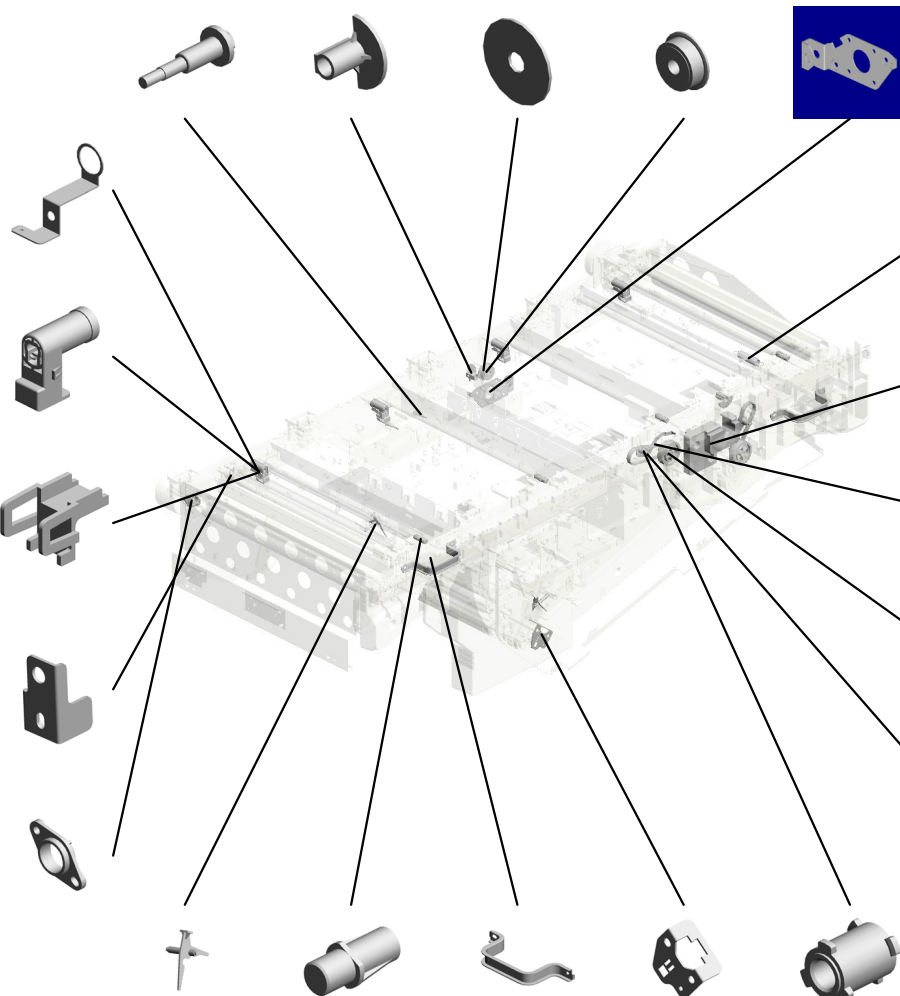
86.D0746147 (x4) TERMINAL:INTERMEDIATE TRANSFER

85.D0746146 (x4) BRACKET:BIAS:INTERMEDIATE TRANSFER

87.D0746161 (x4) COVER:BIAS:INTERMEDIATE TRANSFER

71.D0743873 FEELER:DRIVE WHEEL

72.D0743878 HOLDER:RADIAL BALL BEARING:DRIVEN ROLLER:INNER BACK



78.D0746074 TENSION SPRING:SLEEVE:WIRE:INTERMEDIATE TRANSFER

68.D0743860 INNER COVER:INTERMEDIATE TRANSFER:LEVER

91.D0746168 (x2) TIGHTENER:INTERMEDIATE TRANSFER:ASS'Y

88.D0746163 (x2) GEAR:TIMING PULLEY:IDLER:INTERMEDIATE TRANSFER

89.D0746164 (x2) SYNCHRONOUS BELT:ON-OFF:INTERMEDIATE TRANSFER

76.D0743899 (x2) LEVER:POSITIONING SENSOR:SLACK PREVENTION

82.D0746134 (x4) PLAIN SHAFT BEARING:INSULATOR

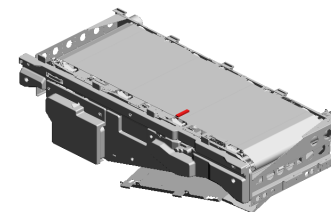
79.D0746075 (x2) GRIP:INTERMEDIATE TRANSFER:LEFT

80.D0746121 BRACKET:SENSOR:ON-OFF:TRANSFER ROLLER

90.D0746165 (x2) PULLEY:ON-OFF:BELT TENSIONER

U001	U002	U003	U004	U005	U006	U007	U008	U009	U010	U011	U012	U013	U014	U015	U016	U017
------	------	------	------	------	------	------	------	------	------	------	------	------	------	------	------	------

U006
ITB UNIT



- 104.D1946062 LEVER:ON-OFF:BL
ACK:LEFT:REAR
- 109.D1946098 HOOK:LEVER:ON-
OFF:BLACK:REAR
- 107.D1946067 LEVER:ON-OFF:BL
ACK:RIGHT:REAR
- 105.D1946065 (x2)
PLATE:ROLLER:DR
IVEN:BLACK
- 100.M2056684**
(BLACK):ROLLER:I
NTERMEDIATE TR
ANSFER:ASS'Y
201603-11 X/O

- 96.D0746197
(x4)
TERMINAL:CONNE
CTING:BIAS:INTER
MEDIATE TRANSF
ER

- 95.D0746180
(x4)
COMPRESSION SP
RING:BIAS:INTER
MEDIATE TRANSFE
R

- 102.D1941483
BRACKET:DRIVE
WERE:TENSION S
PRING

- 97.D0746241
(x2)
DECAL:GRIP:TRAN
SFER/SEPARATIO
N UNIT

- 101.D1941481
STOPPER:DRIVEN
ROLLER:FRONT L
EFT

- 99.D1366128
CASE:OPPOSED:T
RANSFER ROLLER
:FRONT

- 98.D1362852
BRACKET:LED:MA
NUAL FEED

- 93.D0746171
GUIDE PLATE:COI
L SPRING:PRESSU
RE:TIGHTENER

- 92.D0746170
(x2)
COIL SPRING:PRE
SSURE:TIGHTENE
R

- 94.D0746179
(x2)
GEAR:IDLER:INTE
RMEDIATE TRANS
FER:Z17:Z53

- 106.D1946066
LEVER:ON-OFF:BL
ACK:RIGHT:FRONT

- 103.D1946061
LEVER:ON-OFF:BL
ACK:LEFT:FRONT

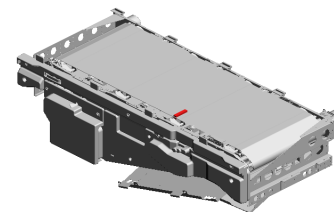
- 110.D1946099
HOOK:LEVER:ON-
OFF:BLACK:FRON
T

- 111.D1946176
(x4)
CAM:ON-OFF:BLA
CK:AUTOMATIC

- 108.D1946073
(x12)
PLAIN SHAFT BEA
RING:SLIDER:ON-
OFF:BLACK

U001	U002	U003	U004	U005	U006	U007	U008	U009	U010	U011	U012	U013	U014	U015	U016	U017
------	------	------	------	------	------	------	------	------	------	------	------	------	------	------	------	------

U006 ITB UNIT



- 113.D1946396 GROUND PLATE:ROLLER:DRIVEN:LEFT
- 128.M0775490 POWER PACK:TRANSFER
- 129.M2051351 DC MOTOR:DIA63:24V:23.1W
- 114.D1946499 GROUND PLATE:ROLLER:DRIVEN:RIGHT
- 130.M2051360 GEAR:DRIVE:INTERMEDIATE TRANSFER

125.G1787515
(x4)
CONNECTOR GUIDE PIN:CONNECTOR

120.G1783232C
TERMINAL:DEVELOPMENT ROLLER

124.G1786448
(x3)
PLATE:GROUND PLATE:DRIVEN ROLLER

119.G1783232
(x2)
TERMINAL:DEVELOPMENT ROLLER

127.GA066056
TORSION SPRING:TERMINAL:ROLLER:OPPOSED:TRANSFER ROLLER

116.D3511190
STEPPER MOTOR:PAPER FEED:ASSY

126.GA060110
TENSION SPRING:BRACKET:DC STEPPER MOTOR:ON-OFF

115.D2023890
LED:RED

117.D6883144
(x2)
SPACER:UPPER LOWER:SHIFT TRAY

112.D1946177
(x2)
DC STEPPER MOTOR:DIA42:24V

131.M2051361
DRIVE ROLLER:INTERMEDIATE TRANSFER

121.G1786392
HOUSING:LOWER:COVER

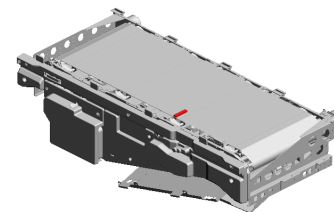
123.G1786394
WIRE:STOPPER:LOWER:COVER

122.G1786393
SLEEVE:WIRE:LOWER:COVER

118.G0143291
(x14)
SNAP RING - PICK UP

U001	U002	U003	U004	U005	U006	U007	U008	U009	U010	U011	U012	U013	U014	U015	U016	U017
------	------	------	------	------	------	------	------	------	------	------	------	------	------	------	------	------

U006 ITB UNIT



- 149.M2056316 (x2) ROLLER:DRIVEN:N O.1:PRESS FIT
- 144.M2056280 ROLLER:TENSION: INTERMEDIATE TRANSFER:ASS'Y
- 145.M2056282 RECEIVE PLATE:CAM:ON-OFF:REAR
- 150.M2056320 (x2) TENSION SPRING: LEVER:ON-OFF:BL ACK:LEFT
- 151.M2056323 (x2) TENSION SPRING: LEVER:ON-OFF:BL ACK:RIGHT

147.M2056285
PLATE:ROLLER:DRIVEN:ON-OFF:COLOR

140.M2051737
FLY WHEEL:47.5MM

138.M2051733
COLLAR:9.9MM

148.M2056295 (x2)
TENSION SPRING: TENSION:INTERMEDIATE TRANSFER

132.M2051363
ROLLER:POSITIONING CONTROL:FLAT BELT-TRANSFER



134.M2051444 (x2)
ROLLER:PLATE:FLAT BELT-TRANSFER:LOWER

137.M2051506
ROLLER:DRIVEN:N O.1:PRESS FIT

152.M2056326
SHAFT:ON-OFF:BL ACK:AUTOMATIC

136.M2051505 (x2)
TENSION SPRING: POSITIONING SENSOR:SCALE

146.M2056283
RECEIVE PLATE:CAM:ON-OFF:FRONT

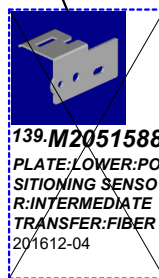
155.M2056339 (x2)
ROLLER:OPPOSITE:BELT CLEANING

154.M2056334
ROLLER:DRIVEN:FIX:INTERMEDIATE TRANSFER

142.M2053849
INNER COVER:BELT CLEANING

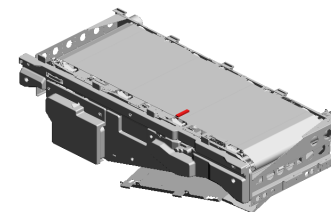
153.M2056328
SHAFT:ON-OFF:INTERMEDIATE TRANSFER

139.M2051588
PLATE:LOWER:POSITIONING SENSOR:INTERMEDIATE TRANSFER:FIBER
201612-04



U001	U002	U003	U004	U005	U006	U007	U008	U009	U010	U011	U012	U013	U014	U015	U016	U017
------	------	------	------	------	------	------	------	------	------	------	------	------	------	------	------	------

U006 ITB UNIT



- 172.M2056407 (x6) TENSION SPRING: ROLLER:PRESSURE:COLOR:7.73N
- 162.M2056367 (x6) TERMINAL:CLEANING BIAS
- 156.M2056341 (x4) LEVER:ON-OFF:DRIVEN:COLOR:REAR
- 168.M2056393 (x6) SEAL:PLATE:FLAT BELT-TRANSFER:REAR:NO.2
- 159.M2056353 (x4) CAM:ON-OFF:INTERMEDIATE TRANSFER:COLOR

- 161.M2056356 (x2) TENSION SPRING: LEVER:ROLLER:DRIVEN:COLOR

- 170.M2056401 GROUND PLATE:ROLLER:ON-OFF:COLOR

- 169.M2056400 HOOK:LEVER:ON-OFF:COLOR:REAR

- 165.M2056383 (x6) COMPRESSION SPRING:BIAS:BELT CLEANING

- 164.M2056380 (x6) PIN:ELECTRODE:BELT CLEANING

- 158.M2056350 ROLLER:OPPOSITE:APPLY

- 169.M2052132 HOOK:LEVER:ON-OFF:COLOR:REAR 201609-30 X/O

- 157.M2056342 LEVER:ON-OFF:DRIVEN:COLOR:FRONT 201605-02

- 157.M2056342 (x3) LEVER:ON-OFF:DRIVEN:COLOR:FRONT

- 171.M2056406 (x2) PLATE:ROLLER:DRIVEN:INTERMEDIATE TRANSFER:FRONT

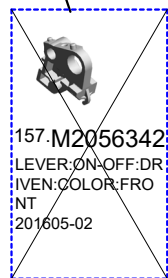
- 160.M2056355 (x2) TENSION SPRING: SLIDER:BLACK

- 173.M2056408 (x2) CAM:INTERMEDIATE TRANSFER:GRIP

- 167.M2056390 (x2) SEAL:COVER:INTERMEDIATE TRANSFER:LOWER

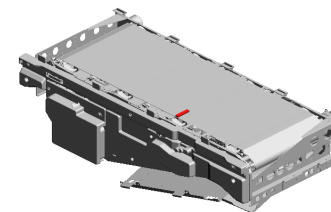
- 163.M2056371 (x2) TIMING PULLEY:CAM:ON-OFF:INTERMEDIATE TRANSFER

- 166.M2056386 COVER:INTERMEDIATE TRANSFER:LOWER



U001	U002	U003	U004	U005	U006	U007	U008	U009	U010	U011	U012	U013	U014	U015	U016	U017
------	------	------	------	------	------	------	------	------	------	------	------	------	------	------	------	------

U006 ITB UNIT



- 184.M2056436 (x2) COMPRESSION SPRING:DRAWER:INTERMEDIATE TRANSFER:NO.2
- 185.M2056437 (x4) COMPRESSION SPRING:DRAWER:INTERMEDIATE TRANSFER
- 178.M2056417 (x2) TENSION SPRING:SLIDER:COLOR
- 179.M2056419 SHAFT:ON-OFF:COLOR:AUTOMATIC
- 187.M2056441 SLIDER:ON-OFF:BACK LACK:REAR

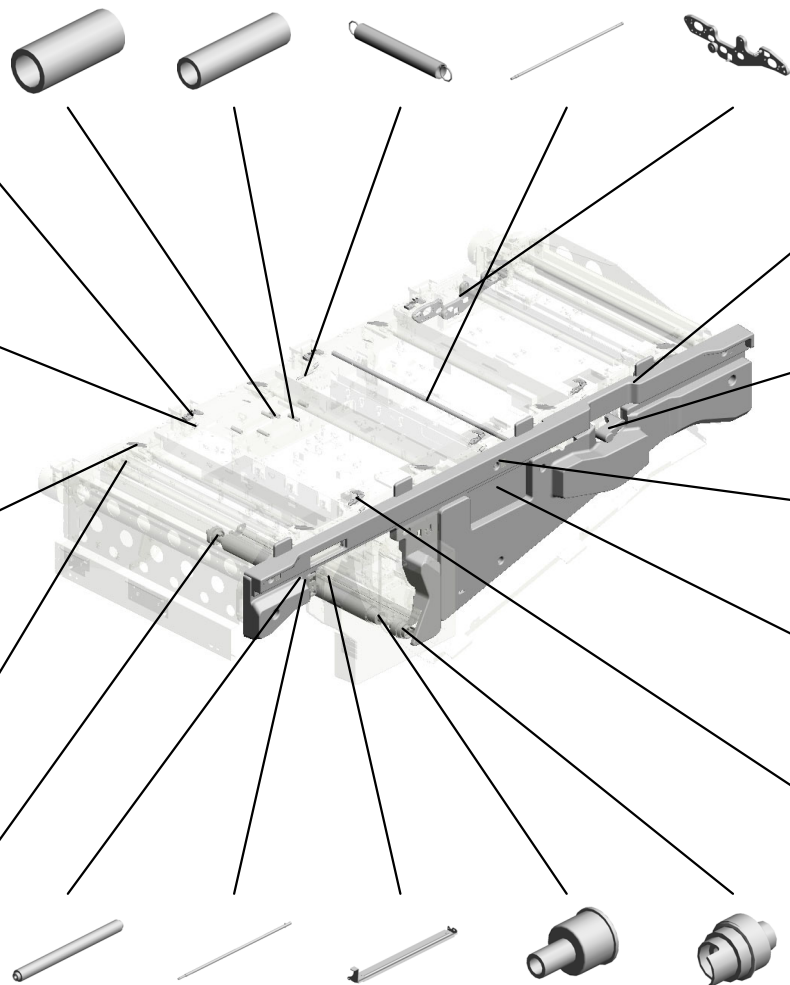
- 175.M2056410 (x3) PLATE:FLAT BELT-TRANSFER:ON-OFF:REAR

- 177.M2056415 (x6) TENSION SPRING:LEVER:PLATE:FLAT BELT-TRANSFER

- 182.M2056432 (x8) SEAL:LEVER:FIRST:UPPER

- 183.M2056433 (x8) SEAL:LEVER:FIRST:LOWER

- 192.M2056467 CAM:ON-OFF:TRANSFER ROLLER:REAR



- 186.M2056440 SLIDER:ON-OFF:BACK LACK:FRONT

- 174.M2056409 GRIP:ON-OFF:INTERMEDIATE TRANSFER

- 181.M2056422 INNER COVER:INTERMEDIATE TRANSFER:UPPER

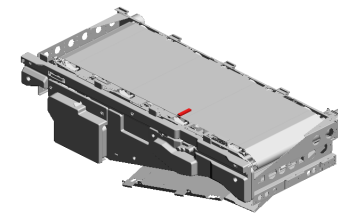
- 180.M2056421 INNER COVER:INTERMEDIATE TRANSFER

- 176.M2056414 (x3) PLATE:FLAT BELT-TRANSFER:ON-OFF:FRONT

- 190.M2056460 ROLLER:OPPOSED:PAPER:ASSY
- 189.M2056458 CORE:OPPOSED:TRANSFER ROLLER
- 188.M2056453 GUIDE:TRANSPORT:INTERMEDIATE TRANSFER:ASSY
- 193.M2056468 COVER:OPPOSED:TRANSFER ROLLER:FRONT
- 191.M2056466 CAM:ON-OFF:TRANSFER ROLLER:FRONT

U001	U002	U003	U004	U005	U006	U007	U008	U009	U010	U011	U012	U013	U014	U015	U016	U017
------	------	------	------	------	------	------	------	------	------	------	------	------	------	------	------	------

U006 ITB UNIT



207.M2056661 BRACKET:ROLLER
:BELT CLEANING:R
EAR:PEEN
202.M2056656 ROLLER:OPPOSE
D:BELT CLEANING:
PRESS FIT
218.M2052136 LEVER:ON-OFF:DR
IVEN:YELLOW:FR
ONT
201609-27 O/O
203.M2056657 SHAFT:RELEASE:R
OLLER:CLEANING
201.M2056638 SHAFT:ENTRANCE
:INTERMEDIATE T
RANSFER

196.M2056479
COVER:CASE:TER
MINAL:BELT CLEA
NER

195.M2056476
PLATE:ROLLER:OP
POSED:PAPER

194.M2056469
COVER:OPPOSED:
TRANSFER ROLLE
R:REAR

219.M2052091
BRUSH ROLLER:C
OVER:ASS'Y
201609-06

221.M2052128
CAP:ROLLER:INTE
RMEDIATE TRANS
FER:PRESS FIT
201609-07

216.M2051599
BASE:ROLLER:PLA
TE:FLAT BELT-TRA
NSFER:LOWER
201510-09

212.03540040N
SCREW-M4X4
201504-01 X/O

205.M2056659
TENSION SPRING:
RELEASE:ROLLER:
OPPOSED

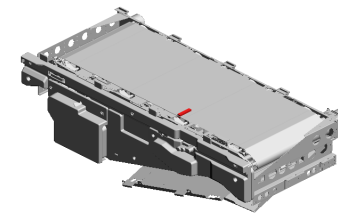
198.M2056631
(x2)
TENSION SPRING:
ENTRANCE

200.M2056637
STOPPER:SHAFT:
ENTRANCE

209.M2056671 (x2)
PLATE:ROLLER:OP
POSED:BELT CLEA
NER:NO.3
208.M2056669 BRACKET:ROLLER
:BELT CLEANING:F
RONT:PEEN
206.M2056660 STOPPER:GRIP:R
OLLER:BELT CLEA
NER:NO.3
204.M2056658 GRIP:RELEASE:RO
LLER:OPPOSED:B
ELT CLEANER
210.M2056677 GRIP:RELEASE:NO
.2

U001	U002	U003	U004	U005	U006	U007	U008	U009	U010	U011	U012	U013	U014	U015	U016	U017
------	------	------	------	------	------	------	------	------	------	------	------	------	------	------	------	------

**U006
ITB UNIT**



- 238.D0743819 PLATE:ROLLER:TE
NSION
- 229.D0A53898 (x2)
BRACKET:POSITIO
NING SENSOR:SLA
CK PREVENTION
201801-01 O/O
- 251.M0B11361 SYNCHRONOUS B
ELT:40S2M142
202011-07 O/O
- 225.M2051358 HOUSING:DRIVE:I
NTERMEDIATE TR
ANSFER:ASS'Y
- 254.M0B11580 HOLDER:ENCODE
R:ASS'Y
202011-06 X/O

- 250.D0A56045
(x4)
BRACKET:INTERM
EDIATE TRANSFER:
REAR
202009-03 X/O

- 248.M2051720 PARALLEL KEY:3X
3X15

- 239.M2056465 CASE:OPPOSED:T
RANSFER ROLLER
:REAR

- 235.M2056399 SLIDE RAIL:APPLY:
INTERMEDIATE TR
ANSFER

- 236.AW500049 PUSH SWITCH:SW
1AG-550
201903-03 O/O

- 228.D0746394 LEVER:TENSION:R
OLLER:REAR

- 256.M0B16550 FRAME:TENSION:I
NTERMEDIATE TR
ANSFER:WELDING
202102-04 O/O

- 234.M2056398 SLIDE RAIL:BELT C
LEANING:UPPER

- 222.M2052134 PLATE:RADIAL BA
LL BEARING
201609-08

- 249.D0A56044 (x4)
BRACKET:INTERM
EDIATE TRANSFER:
R:FRONT
202009-02 X/O

- 223.M2052140 PLATE:UPPER:PO
SITIONING SENSO
R:INTERMEDIATE
TRANSFER:ASS'Y
201609-04 X/O

- 224.M2056790 FLAT BELT-TRANS
FER:ASS'Y
201707-03 O/O

- 233.M0B15349 PCB:TDRB
201806-01 O/O

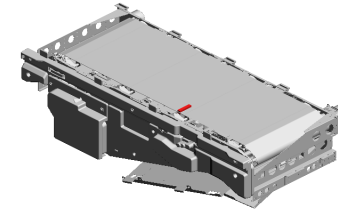
- 232.M2056346 SLIDER:ON-OFF:C
OLOR:FRONT:PEE
N

- 227.D0746390 LEVER:TENSION:R
OLLER:FRONT

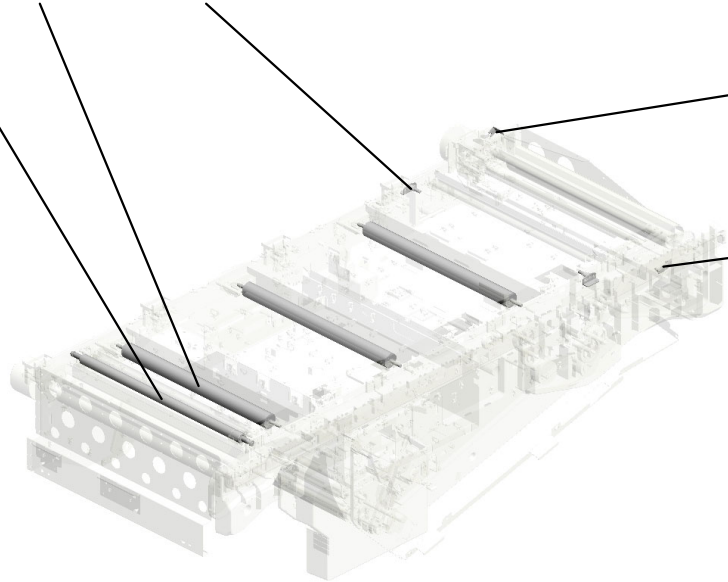
U001	U002	U003	U004	U005	U006	U007	U008	U009	U010	U011	U012	U013	U014	U015	U016	U017
------	------	------	------	------	------	------	------	------	------	------	------	------	------	------	------	------

U006
ITB UNIT

260.M0B16192 259.M2056395
 (x3) (x2)
 (C/M/Y):ROLLER:IN GUIDE PLATE:BRA
 TERMEDIATE TRA CKET:SENSOR:SC
 NSFER:ASS'Y ALE:PEEN
 202210-01 O/O



257.M0B12130
 ROLLER:FIX:INTER
 MEDIATE TRANSF
 ER:PRESS FIT
 202105-01 O/O



261.M2051394
 COVER:GREASE:D
 RIVE ROLLER



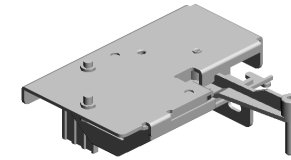
258.M2051443
 POSITIONING PLA
 TE:FLAT BELT-TRA
 NSFER:PLATE:LO
 WER:PEEN



U001	U002	U003	U004	U005	U006	U007	U008	U009	U010	U011	U012	U013	U014	U015	U016	U017
------	------	------	------	------	-------------	------	------	------	------	------	------	------	------	------	------	------

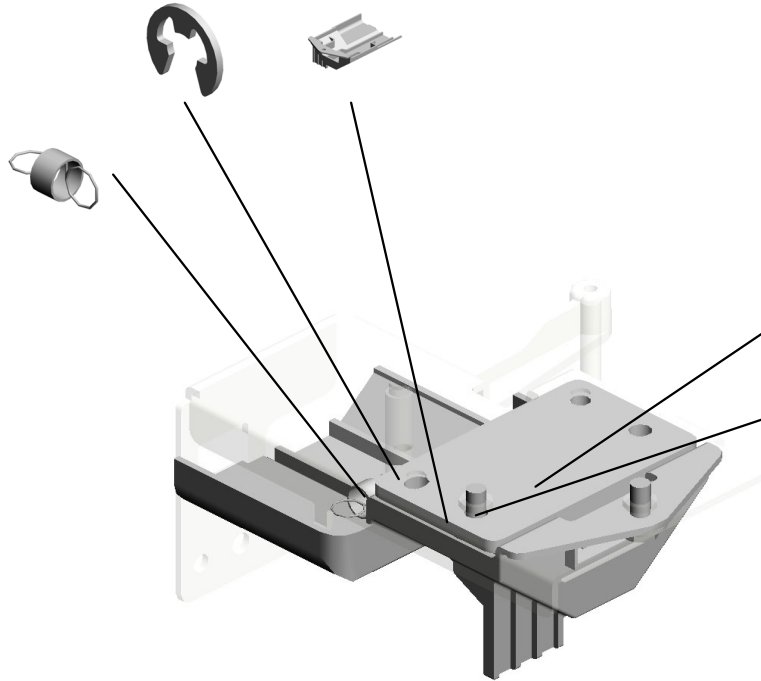
U006_S001
 POSITIONING SENSOR:FLAT BELT-TRANSFER:ASS'Y

18.07200030E 74.D0743896
 RETAINING RING - M3 COVER:POSITIONI
 NG SENSOR:FLAT
 BELT-TRANSFER



230.M0B11368
 POSITIONING SEN
 SOR:FLAT BELT-T
 RANSFER:ASS'Y

43.AA061114
 TENSION SPRING:
 POSITIONING SEN
 SOR



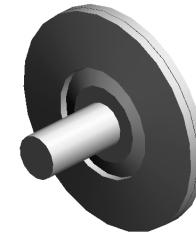
55.AW020218
 POSITIONING SEN
 SOR:FLAT BELT-T
 RANSFER

6.03603006N
 (x2)
 SCREW - M3X6

U001	U002	U003	U004	U005	U006	U007	U008	U009	U010	U011	U012	U013	U014	U015	U016	U017
------	------	------	------	------	-------------	------	------	------	------	------	------	------	------	------	------	------

U006_S002
STEPPED SCREW:DIAPHRAGM SPRING:ASS'Y

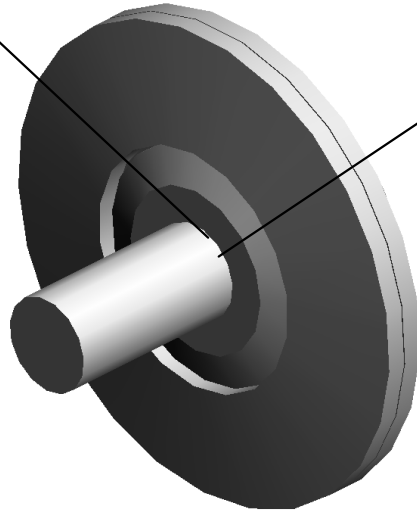
255.M0B11582
STEPPED SCREW:
M4:DIA10
202011-04 X/O



253.M0B11575
STEPPED SCREW:
DIAPHRAGM SPRI
NG:ASS'Y
202011-09



252.M0B11485
DIAPHRAGM SPRI
NG:ASS'Y
202011-05 X/O



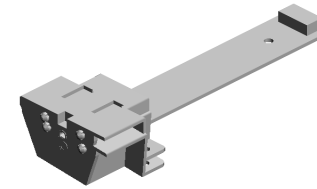
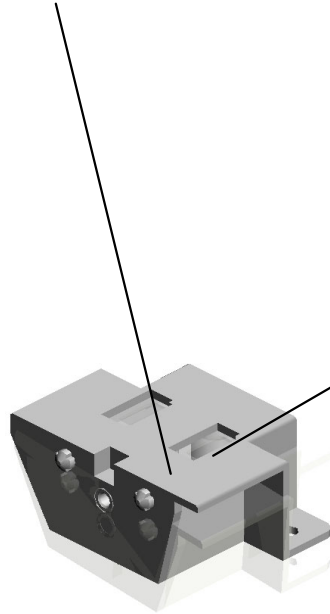
U001	U002	U003	U004	U005	U006	U007	U008	U009	U010	U011	U012	U013	U014	U015	U016	U017
------	------	------	------	------	-------------	------	------	------	------	------	------	------	------	------	------	------

U006_S003

POSITIONING SENSOR:SCALE:INTERMEDIATE TRANSFER:ASS'Y

213.M2052109

PLATE:LOWER:PO
SITIONING SENSO
R:INTERMEDIATE
TRANSFER:ASS'Y
201609-05 X/O



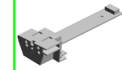
231.M2052100

[A]
POSITIONING SEN
SOR:SCALE:INTER
MEDIATE TRANSF
ER:ASS'Y
201803-02 O/O



11.04503008N

(x2)
TAPPING SCREW -
M3X8



M2052099

[A]
POSITIONING SEN
SOR:SCALE:INTER
MEDIATE TRANSF
ER:ASS'Y
201803-02 O/O

U001	U002	U003	U004	U005	U006	U007	U008	U009	U010	U011	U012	U013	U014	U015	U016	U017
------	------	------	------	------	-------------	------	------	------	------	------	------	------	------	------	------	------

U006_S004

BRACKET:ROLLER:ENTRANCE:INTERMEDIATE TRANSFER:SUB-ASS'Y

25.08046123

(x2)

HEXAGONAL BOLT
:W/WASHER:M3X8

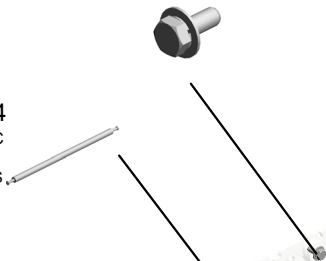


197.M2056490

BRACKET:ROLLER
:ENTRANCE:INTER
MEDIATE TRANSF
ER:SUB-ASS'Y

199.M2056634

ROLLER:ENTRANC
E:INTERMEDIATE
TRANSFER:PRESS
FIT



6.03603006N

SCREW - M3X6



65.D0743824

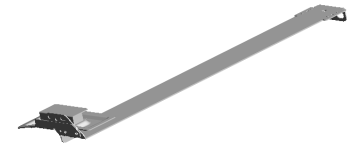
PLATE:ROLLER:IN
TERMEDIATE TRA
NSFER



U001	U002	U003	U004	U005	U006	U007	U008	U009	U010	U011	U012	U013	U014	U015	U016	U017
------	------	------	------	------	-------------	------	------	------	------	------	------	------	------	------	------	------

U006_S005
CLEANER:FLAT BELT-TRANSFER:RIGHT LOWER:ASS'Y

215.M2051596
BRUSH:CLEANING
201510-08

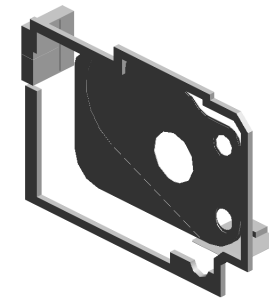


214.M2051595
CLEANER:FLAT BE
LT-TRANSFER:RIG
HT LOWER:ASS'Y
201510-07

U001	U002	U003	U004	U005	U006	U007	U008	U009	U010	U011	U012	U013	U014	U015	U016	U017
------	------	------	------	------	-------------	------	------	------	------	------	------	------	------	------	------	------

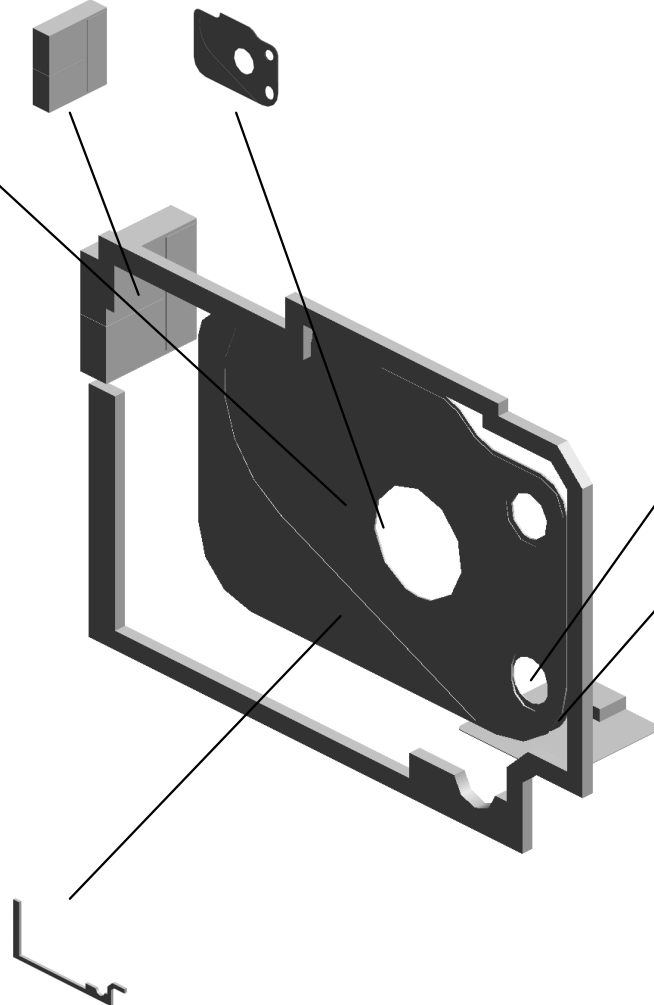
U006_S006
 SERVICE PARTS:SEAL:HOUSING:DRIVE:MIDDLE

242.M0B11353 244.M0B11355
 SEAL:HOUSING:D RIVE:INTERMEDIA
 RIVE:INTERMEDIA TE TRANSFER:NO.
 3 5
 201911-07 201911-09



246.M0B11360
 SERVICE PARTS:S
 EAL:HOUSING:DRI
 VE:MIDDLE
 201911-04

240.M0B11351
 SEAL:HOUSING:D
 RIVE:INTERMEDIA
 TE TRANSFER:NO.
 1
 201911-05



245.M0B11356
 SEAL:HOUSING:D
 RIVE:INTERMEDIA
 TE TRANSFER:NO.
 6
 201911-10

243.M0B11354
 SEAL:HOUSING:D
 RIVE:INTERMEDIA
 TE TRANSFER:NO.
 4
 201911-08

241.M0B11352
 SEAL:HOUSING:D
 RIVE:INTERMEDIA
 TE TRANSFER:NO.
 2
 201911-06

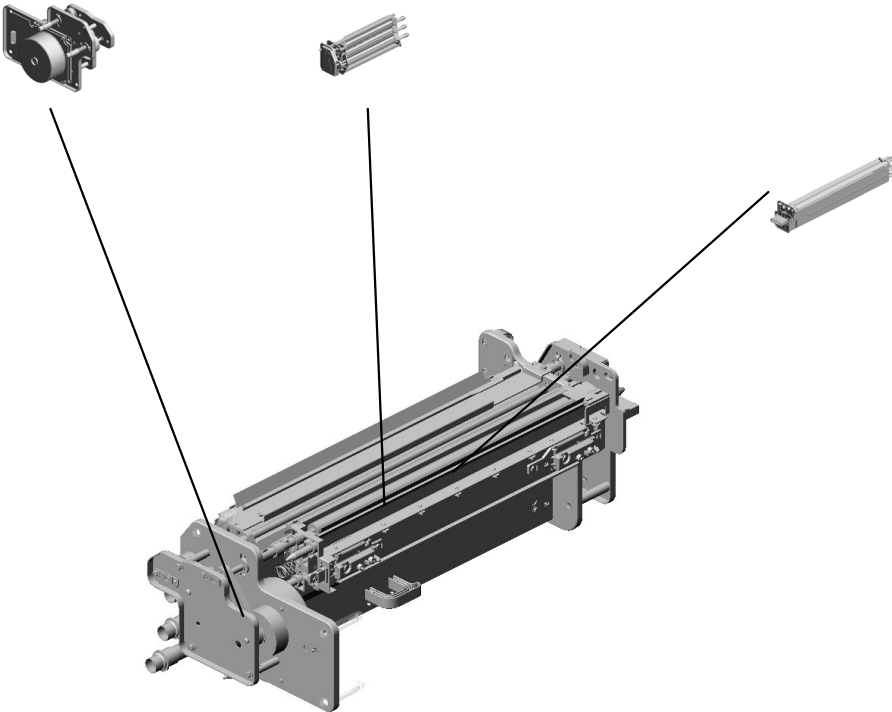
U001	U002	U003	U004	U005	U006	U007	U008	U009	U010	U011	U012	U013	U014	U015	U016	U017
------	------	------	------	------	------	------	------	------	------	------	------	------	------	------	------	------

U007.ITB CLEANING

U007 S001
M2053702
DRIVE UNIT:BELT CLEANING
:INTERMEDIATE TRANSFER:
ASS'Y

U007 S002
M2050182
CLEANING UNIT:INTERMEDI
ATE TRANSFER:ASSY

U007 S003
M2053811
COATING BAR:BELT CLEANI
NG:ASS'Y



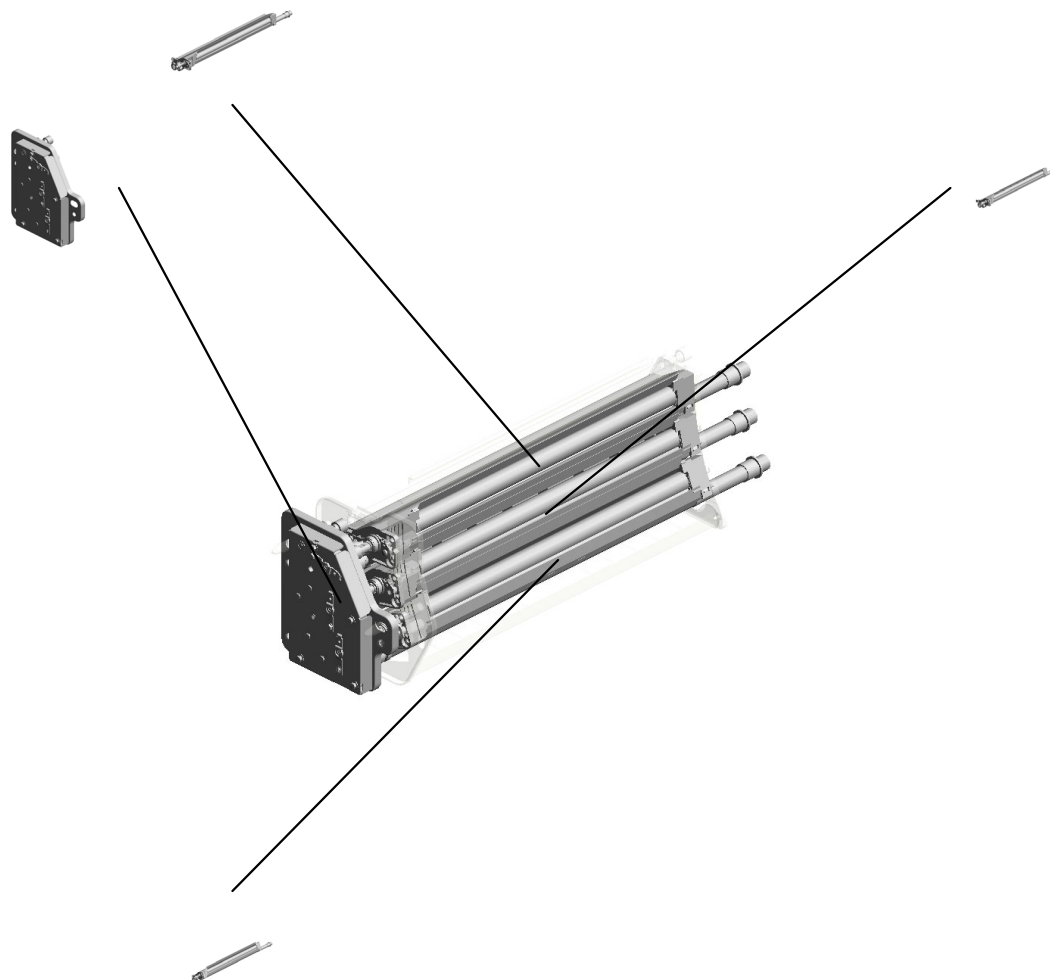
U001	U002	U003	U004	U005	U006	U007	U008	U009	U010	U011	U012	U013	U014	U015	U016	U017
------	------	------	------	------	------	------	------	------	------	------	------	------	------	------	------	------

U007_S002.CLEANING UNIT:INTERMEDIATE TRANSFER:ASS'Y

U007 S002 S003
M2053775
CLEANING UNIT:INTERMEDIATE TRANSFER:NO.3:SUB-ASS'Y

U007 S002 S004
M2053790
MECHANICAL DRIVE SECTION:CLEANING UNIT:FRONT:ASS'Y

U007 S002 S002
M2053789
CLEANING UNIT:INTERMEDIATE TRANSFER:NO.2:SUB-ASS'Y



U007 S002 S001
M2053780
CLEANING UNIT:INTERMEDIATE TRANSFER:NO.1:SUB-ASS'Y

U001	U002	U003	U004	U005	U006	U007	U008	U009	U010	U011	U012	U013	U014	U015	U016	U017
------	------	------	------	------	------	------	------	------	------	------	------	------	------	------	------	------

U007_S002_S001.CLEANING UNIT:INTERMEDIATE TRANSFER:NO.1:SUB-ASS'Y

U007 S002 S001 S001
MOB13779
SERVICE PARTS:CLEANING
UNIT:INTERMEDIATE TRANS
FER:NO.1



U001	U002	U003	U004	U005	U006	U007	U008	U009	U010	U011	U012	U013	U014	U015	U016	U017
------	------	------	------	------	------	------	------	------	------	------	------	------	------	------	------	------

U007_S002_S002.CLEANING UNIT:INTERMEDIATE TRANSFER:NO.2:SUB-ASS'Y

U007 S002 S002 S001
MOB13788
SERVICE PARTS:CLEANING
UNIT:INTERMEDIATE TRANS
FER:NO.2



U001	U002	U003	U004	U005	U006	U007	U008	U009	U010	U011	U012	U013	U014	U015	U016	U017
------	------	------	------	------	------	------	------	------	------	------	------	------	------	------	------	------

U007_S002_S003.CLEANING UNIT:INTERMEDIATE TRANSFER:NO.3:SUB-ASS'Y

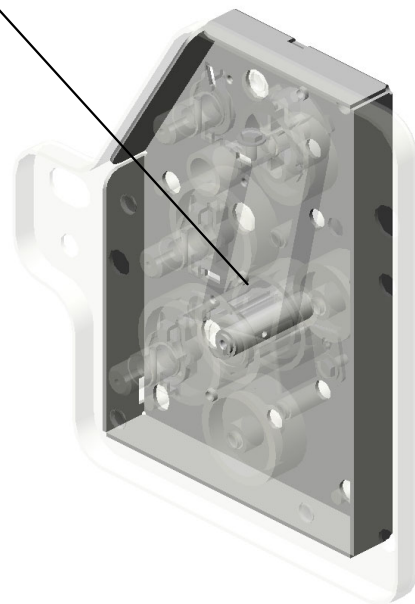
U007 S002 S003 S001
MOB13774
SERVICE PARTS:CLEANING
UNIT:INTERMEDIATE TRANS
FER:NO.3



U001	U002	U003	U004	U005	U006	U007	U008	U009	U010	U011	U012	U013	U014	U015	U016	U017
------	------	------	------	------	------	------	------	------	------	------	------	------	------	------	------	------

U007_S002_S004.MECHANICAL DRIVE SECTION:CLEANING UNIT:FRONT:ASS'Y

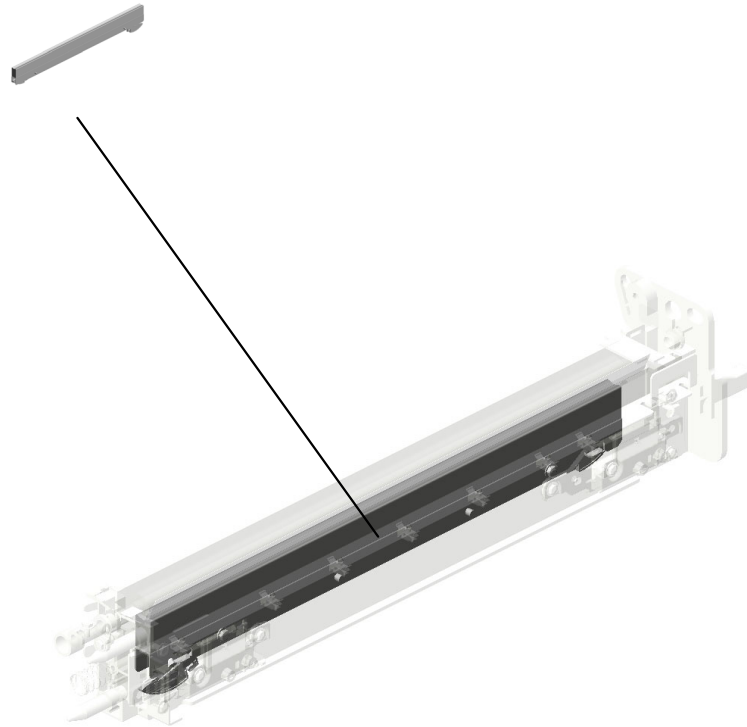
U007 S002 S004 S001
M2053497
BRACKET:COVER:MECHANI
CAL DRIVE SECTION:TAKE
OFF:ASS'Y



U001	U002	U003	U004	U005	U006	U007	U008	U009	U010	U011	U012	U013	U014	U015	U016	U017
------	------	------	------	------	------	------	------	------	------	------	------	------	------	------	------	------

U007_S003.COATING BAR:BELT CLEANING:ASS'Y

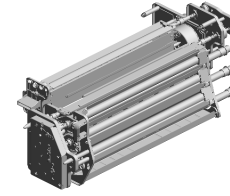
U007 S003 S001
M2053487
COATING BAR:ASS'Y



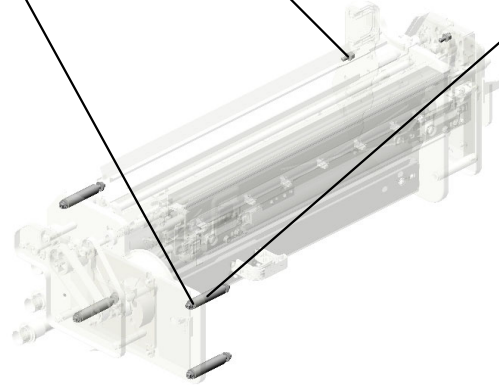
U001	U002	U003	U004	U005	U006	U007	U008	U009	U010	U011	U012	U013	U014	U015	U016	U017
------	------	------	------	------	------	------	------	------	------	------	------	------	------	------	------	------

U007
ITB CLEANING

14.08010238 25.B2342390
(x8) (x2)
HEXAGON HEAD B FLANGED HEXAG
OLT:DOUBLE SCR ONAL HEAD BOLT:
EW:M4X14 M4X8



58.M2053711
(x4)
STUD:MECHANICA
L DRIVE SECTION:
BELT CLEANING

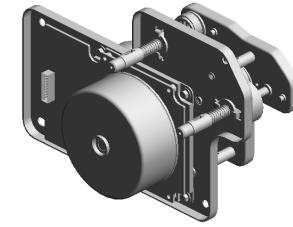


U001	U002	U003	U004	U005	U006	U007	U008	U009	U010	U011	U012	U013	U014	U015	U016	U017
------	------	------	------	------	------	------	------	------	------	------	------	------	------	------	------	------

U007_S001

DRIVE UNIT:BELT CLEANING:INTERMEDIATE TRANSFER:ASS'Y

- 38.GB011170 GEAR:DRIVE:CLEA
NING
- 57.M2053708 SHAFT:DRIVE:ASS'
Y
- 39.GB017060 GEAR:PULLEY:DRI
VE
- 3.03604006N (x9)
SCREW - M4X6
- 59.M2053712 (x2)
PLATE:SHAFT:DRI
VE

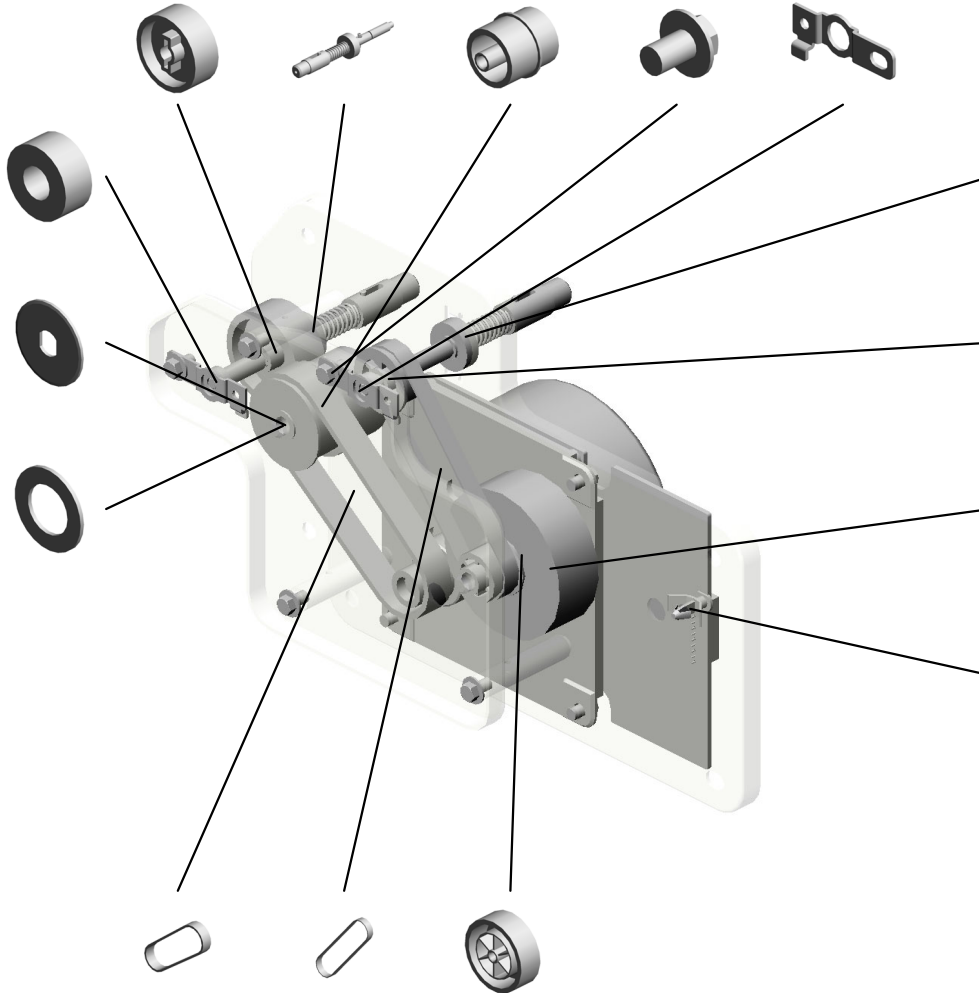


- 90.M2053702 DRIVE UNIT:BELT
CLEANING:INTER
MEDIATE TRANSF
ER:ASSY

- 12.07403804 (x2)
BALL BEARING:DIA
4XDIA9X4

- 81.M2053803 FLANGE:GEAR:PU
LLEY:DRIVE

- 47.H0722220 SPACER - M6X10



- 56.M2053703 SHAFT:DRIVE:ASS'
Y

- 44.GB030060 PULLEY:BRUSH:A
PPLY:Z30

- 30.D1791252 DC MOTOR:DIA82.
2:63.7W:BRUSHLE
SS

- 16.11050409 CARD SPACER- 6.
4MM

- 9.07200040E (x 2)
RETAINING RING - M4

- 96.GA043018 SYNCHRONOUS B
ELT:B100S2M190
201801-02 X/O
- 26.C5922233 TIMING BELT - 2M1
90
- 40.GB017061 GEAR:PULLEY:AP
PLY

U001	U002	U003	U004	U005	U006	U007	U008	U009	U010	U011	U012	U013	U014	U015	U016	U017
------	------	------	------	------	------	------	------	------	------	------	------	------	------	------	------	------

U007_S002
CLEANING UNIT:INTERMEDIATE TRANSFER:ASS'Y

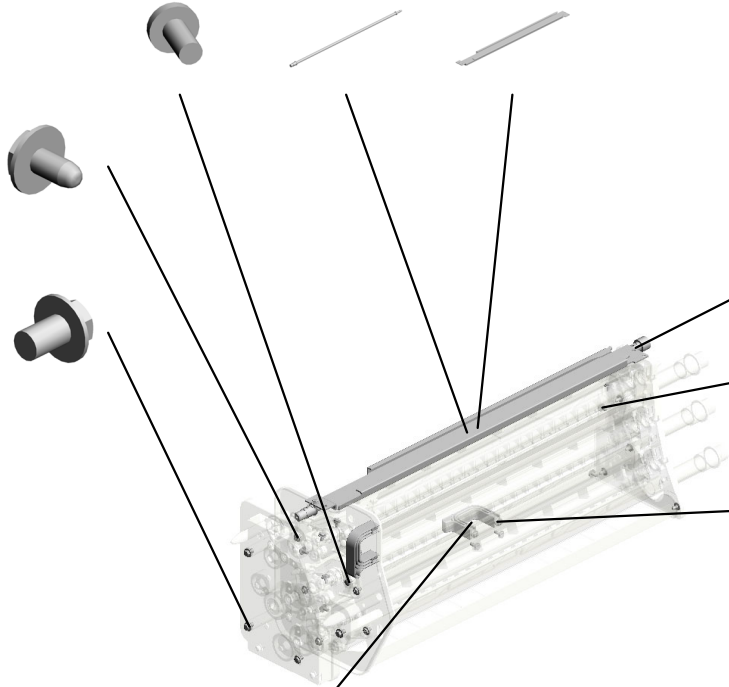
1.03530060N BIND SCREW - M3 X6
 61.M2053733 SHAFT:DRIVE:BELT CLEANING:ASS'Y
 62.M2053737 SLIDE RAIL:BELT CLEANING:LOWER



98.M2050182
 [A]
 CLEANING UNIT:IN
 TERMEDIATE TRA
 NSFER:ASS'Y
 201901-01 O/O

6.04543006Q
 (x11)
 TAPPING SCREW -
 M3X6

3.03604006N
 (x3)
 SCREW - M4X6



29.D0746481
 JOINT:BRUSH:REM
 OVE PAPER DUST:
 BELT CLEANING

2.03603006N (x 2)
 SCREW - M3X6
 6.04543006Q (x 2)
 TAPPING SCREW - M3X6

2.03603006N
 (x10)
 SCREW - M3X6

4.04503008N
 (x4)
 TAPPING SCREW -
 M3X8

31.D1792468
 (x2)
 GRIP:DRUM STAY:
 PCU



M2053721
 [A]
 CLEANING UNIT:IN
 TERMEDIATE TRA
 NSFER:ASS'Y
 201901-01 O/O

U001	U002	U003	U004	U005	U006	U007	U008	U009	U010	U011	U012	U013	U014	U015	U016	U017
------	------	------	------	------	------	------	------	------	------	------	------	------	------	------	------	------

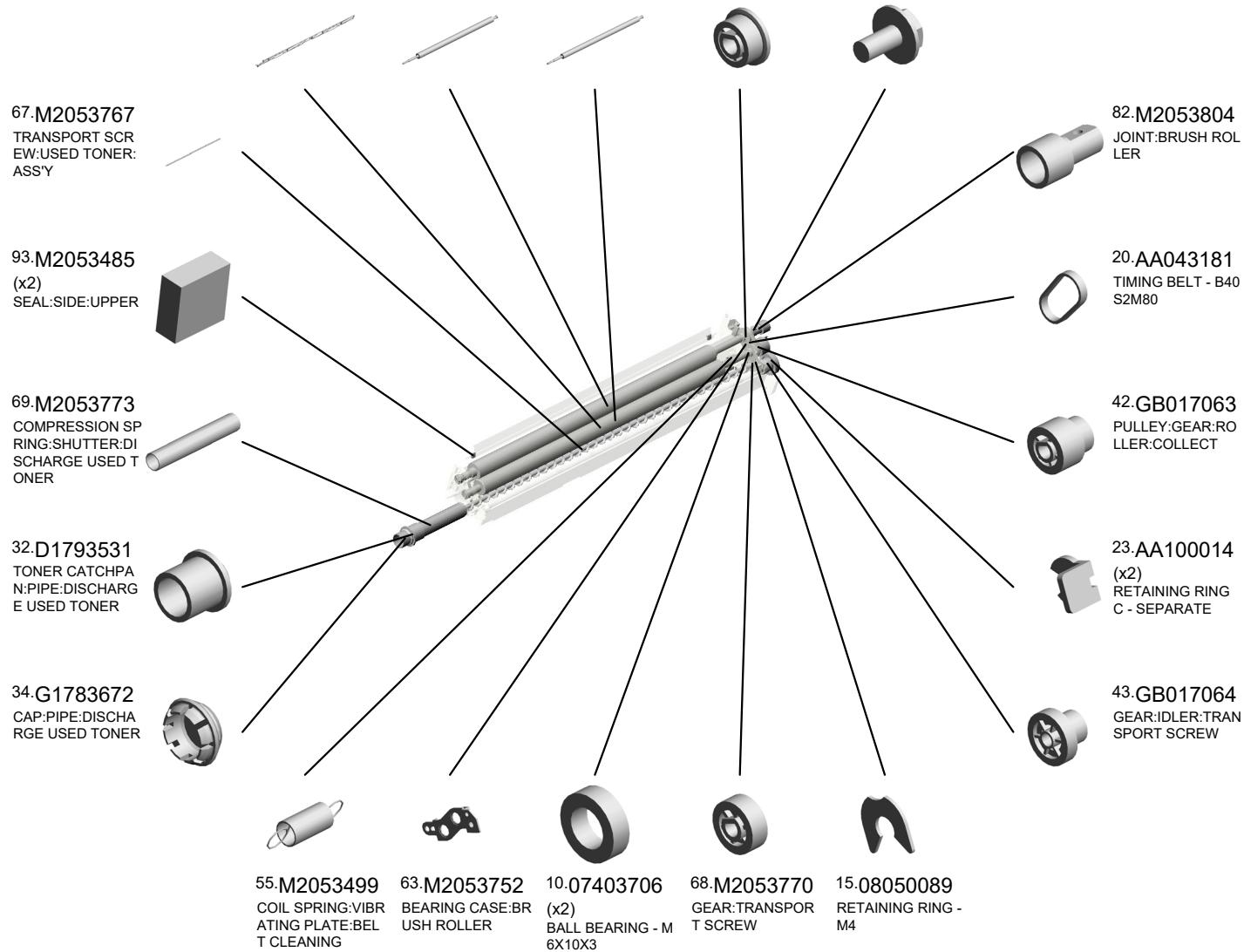
U007_S002_S001

CLEANING UNIT:INTERMEDIATE TRANSFER:NO.1:SUB-ASS'Y

- 49.M2053479 VIBRATING PLATE: BELT CLEANING: ASS'Y
- 76.M2053782 BRUSH ROLLER: CLEANING: ASS'Y
- 65.M2053760 ROLLER: COLLECT: ASS'Y
- 46.GB030062 PULLEY: BRUSH ROLLER
- 2.03603006N (x3) SCREW - M3X6



- 74.M2053780 CLEANING UNIT: INTERMEDIATE TRANSFER:NO.1:SUB-ASS'Y



U001	U002	U003	U004	U005	U006	U007	U008	U009	U010	U011	U012	U013	U014	U015	U016	U017
------	------	------	------	------	------	------	------	------	------	------	------	------	------	------	------	------

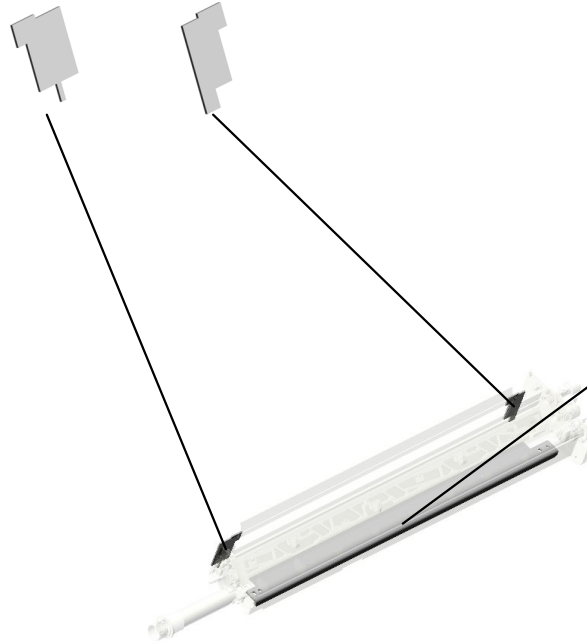
U007_S002_S001

CLEANING UNIT:INTERMEDIATE TRANSFER:NO.1:SUB-ASS'Y

95.M2053786 94.M2053785
SEAL:SIDE:REAR SEAL:SIDE:FRONT



74.M2053780
CLEANING UNIT:IN
TERMEDIATE TRA
NSFER:NO.1:SUB-
ASS'Y

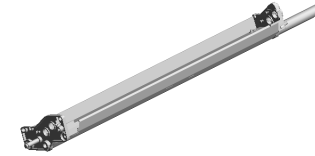


105.M0EDR763
CLEANING BLADE:
ROLLER:COLLECT
:ASS'Y
202306-01 O/O

U001	U002	U003	U004	U005	U006	U007	U008	U009	U010	U011	U012	U013	U014	U015	U016	U017
------	------	------	------	------	------	------	------	------	------	------	------	------	------	------	------	------

U007_S002_S001_S001
SERVICE PARTS:CLEANING UNIT:INTERMEDIATE TRANSFER:NO.1

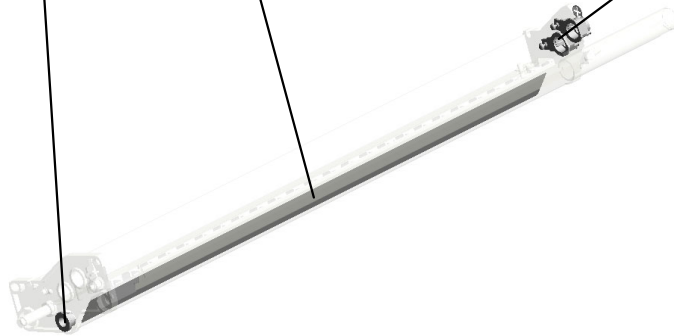
21-AA080346 53-M2053489
BUSHING:FLANGE SEAL:CLEANING:L
TYPE:DIA6 OWER



99-M0B13779
SERVICE PARTS:C
LEANING UNIT:INT
ERMEDIATE TRAN
SFER:NO.1
202102-02



64-M2053753
(x2)
COVER:ELECTRO
DE PLATE:BELT CL
EANING:ASSY



U001	U002	U003	U004	U005	U006	U007	U008	U009	U010	U011	U012	U013	U014	U015	U016	U017
------	------	------	------	------	------	------	------	------	------	------	------	------	------	------	------	------

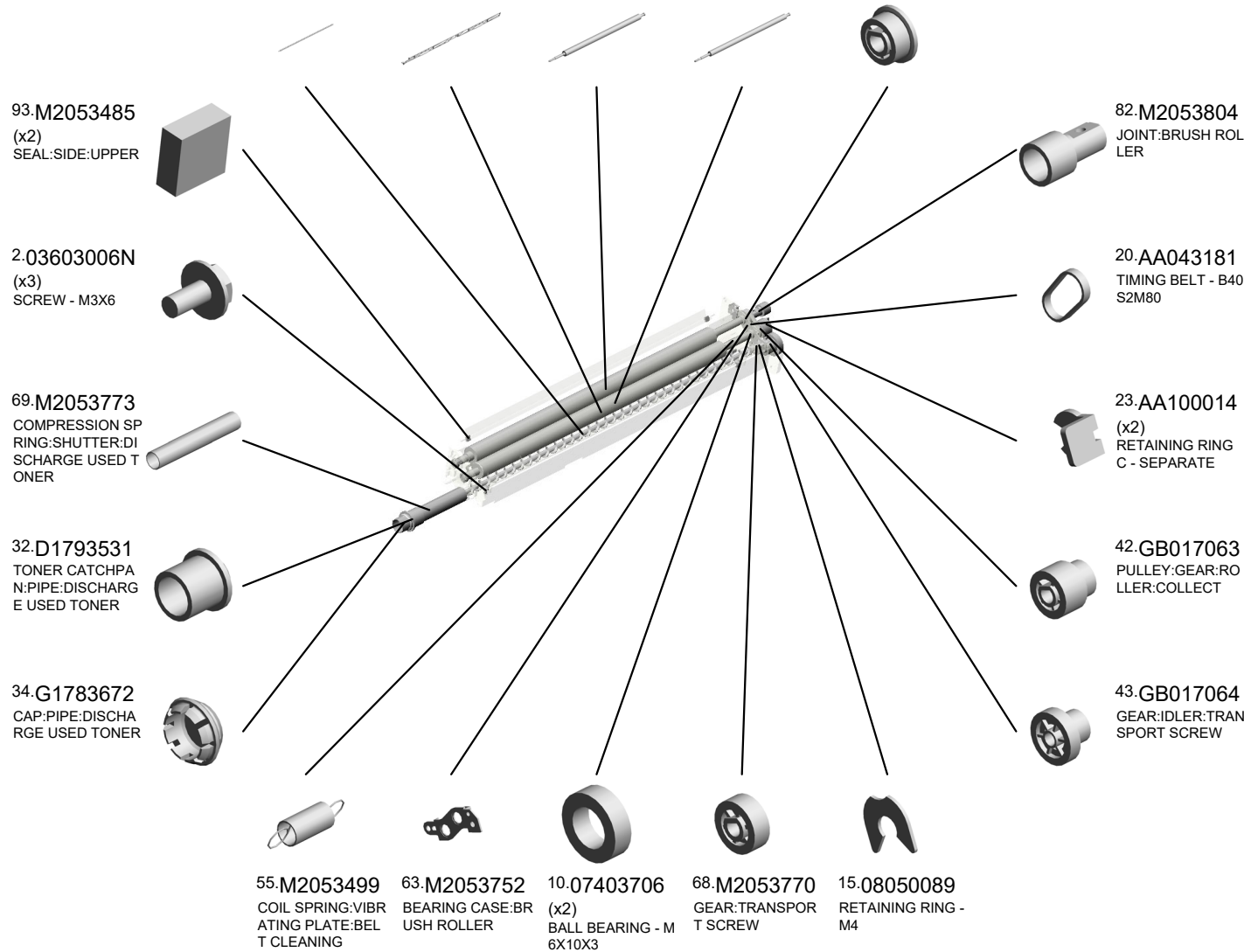
U007_S002_S002

CLEANING UNIT:INTERMEDIATE TRANSFER:NO.2:SUB-ASS'Y

- 67.M2053767 TRANSPORT SCREW:USED TONER:ASS'Y
- 49.M2053479 VIBRATING PLATE:BELT CLEANING:ASS'Y
- 77.M2053787 BRUSH ROLLER:CLEANING:NO.2:ASS'Y
- 65.M2053760 ROLLER:COLLECT
- 46.GB030062 PULLEY:BRUSH ROLLER



- 78.M2053789 CLEANING UNIT:INTERMEDIATE TRANSFER:NO.2:SUB-ASS'Y



U001	U002	U003	U004	U005	U006	U007	U008	U009	U010	U011	U012	U013	U014	U015	U016	U017
------	------	------	------	------	------	------	------	------	------	------	------	------	------	------	------	------

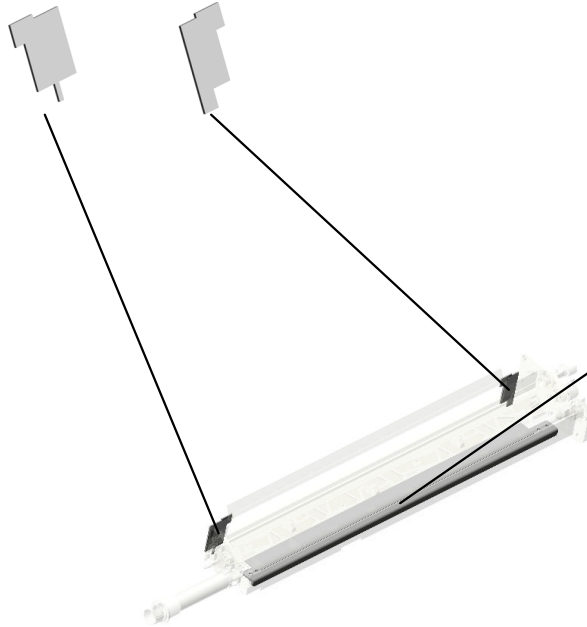
U007_S002_S002

CLEANING UNIT:INTERMEDIATE TRANSFER:NO.2:SUB-ASS'Y

95.M2053786 94.M2053785
SEAL:SIDE:REAR SEAL:SIDE:FRONT



78.M2053789
CLEANING UNIT:IN
TERMEDIATE TRA
NSFER:NO.2:SUB-
ASS'Y



105.M0EDR763
CLEANING BLADE:
ROLLER:COLLECT
:ASS'Y
202306-01 O/O

U001	U002	U003	U004	U005	U006	U007	U008	U009	U010	U011	U012	U013	U014	U015	U016	U017
------	------	------	------	------	------	------	------	------	------	------	------	------	------	------	------	------

U007_S002_S002_S001
SERVICE PARTS:CLEANING UNIT:INTERMEDIATE TRANSFER:NO.2

21-AA080346 53-M2053489
BUSHING:FLANGE SEAL:CLEANING:LOWER
TYPE:DIA6



100-M0B13788
SERVICE PARTS:CLEANING UNIT:INTERMEDIATE TRANSFER:NO.2
202102-03



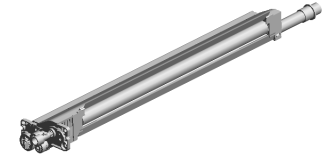
64-M2053753
(x2)
COVER:ELECTRO
DE PLATE:BELT CLEANING:ASSY

U001	U002	U003	U004	U005	U006	U007	U008	U009	U010	U011	U012	U013	U014	U015	U016	U017
------	------	------	------	------	------	------	------	------	------	------	------	------	------	------	------	------

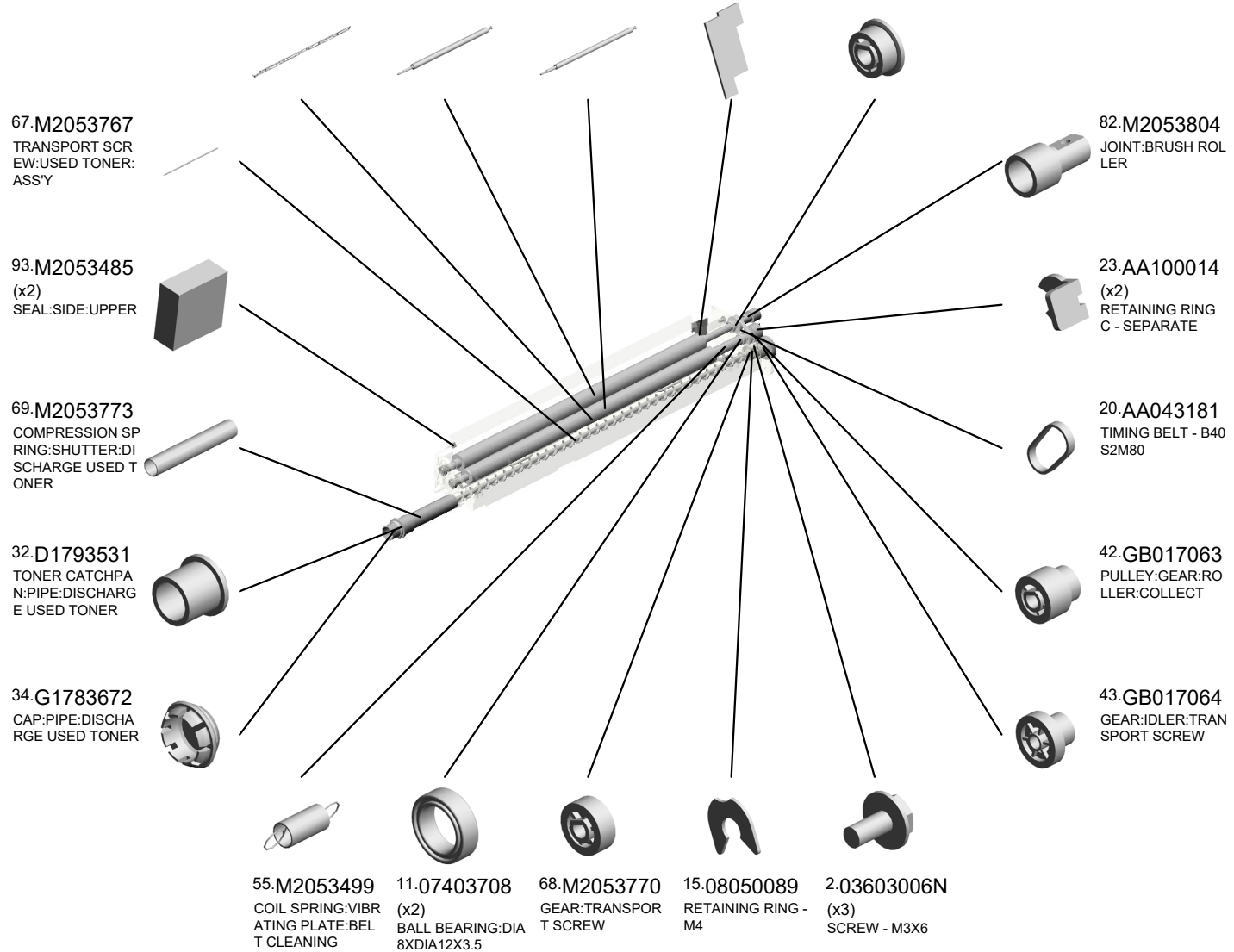
U007_S002_S003

CLEANING UNIT:INTERMEDIATE TRANSFER:NO.3:SUB-ASS'Y

49.M2053479 VIBRATING PLATE: BELT CLEANING: ASS'Y
 50.M2053481 ROLLER: CLEANING G: ASS'Y
 71.M2053776 ROLLER: COLLECT :NO.3: ASS'Y
 94.M2053785 SEAL: SIDE: FRONT
 46.GB030062 PULLEY: BRUSH ROLLER



70.M2053775 CLEANING UNIT: INTERMEDIATE TRANSFER: NO.3: SUB-ASS'Y



U001	U002	U003	U004	U005	U006	U007	U008	U009	U010	U011	U012	U013	U014	U015	U016	U017
------	------	------	------	------	------	------	------	------	------	------	------	------	------	------	------	------

U007_S002_S003
CLEANING UNIT:INTERMEDIATE TRANSFER:NO.3:SUB-ASS'Y

95.M2053786
SEAL:SIDE:REAR



70.M2053775
CLEANING UNIT:IN
TERMEDIATE TRA
NSFER:NO.3:SUB-
ASS'Y



105.M0EDR763
CLEANING BLADE:
ROLLER:COLLECT
:ASS'Y
202306-01 O/O

U001	U002	U003	U004	U005	U006	U007	U008	U009	U010	U011	U012	U013	U014	U015	U016	U017
------	------	------	------	------	------	------	------	------	------	------	------	------	------	------	------	------

U007_S002_S003_S001
 SERVICE PARTS:CLEANING UNIT:INTERMEDIATE TRANSFER:NO.3



~~75.M2053781~~
 CASE:BELT CLEANING LOWER:NO.3: SUB-ASS'Y
 202201-01 O/O



101.M0B13774
 SERVICE PARTS:CLEANING UNIT:INTERMEDIATE TRANSFER:NO.3
 202201-01 O/O

21.AA080346
 BUSHING:FLANGE TYPE:DIA6



64.M2053753
 (x2)
 COVER:ELECTRODE PLATE:BELT CLEANING:ASS'Y



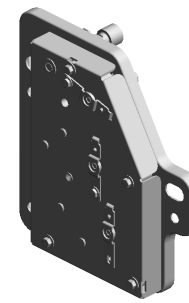
53.M2053489
 SEAL:CLEANING LOWER



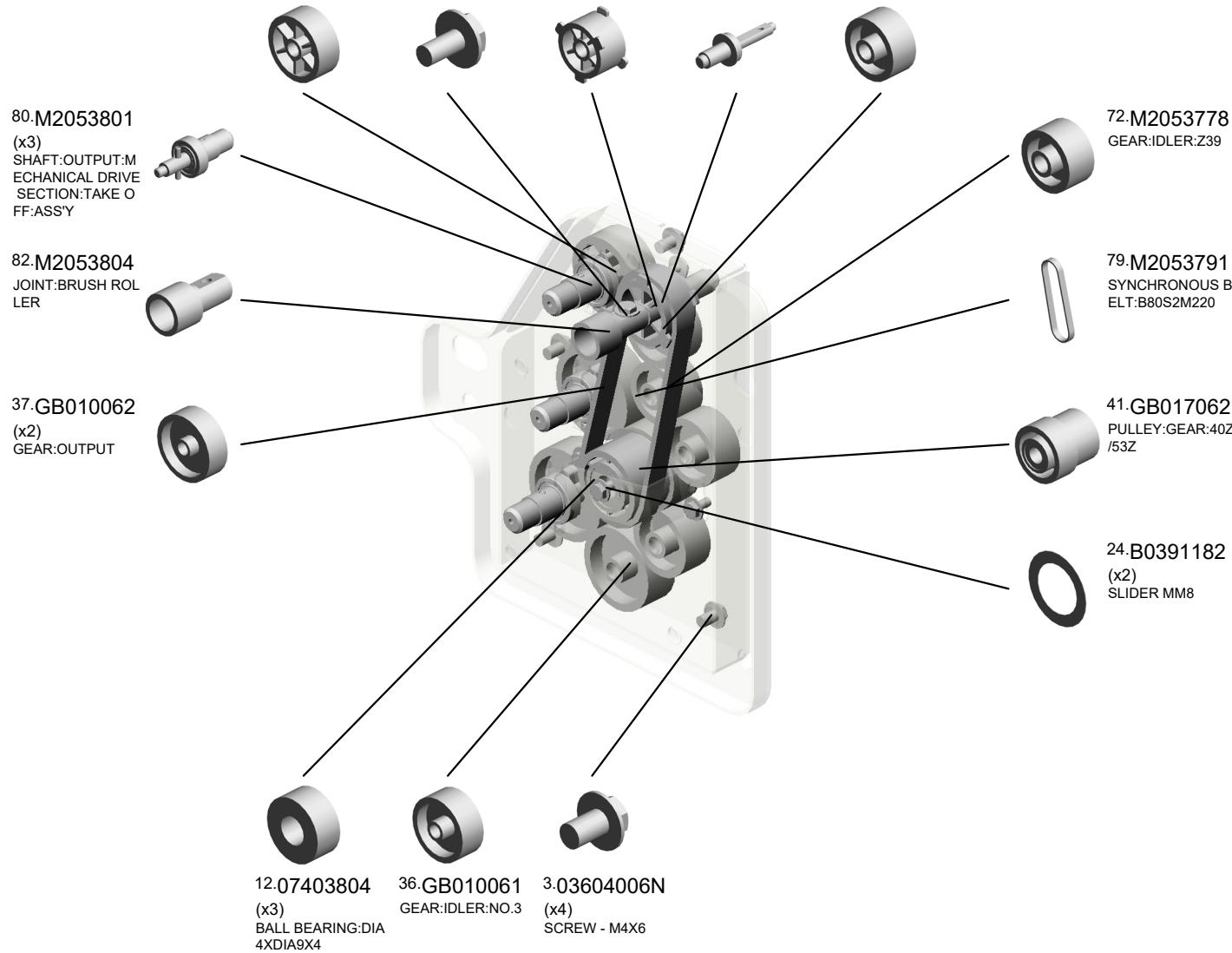
U001	U002	U003	U004	U005	U006	U007	U008	U009	U010	U011	U012	U013	U014	U015	U016	U017
------	------	------	------	------	------	------	------	------	------	------	------	------	------	------	------	------

MECHANICAL DRIVE SECTION:CLEANING UNIT:FRONT:ASS'Y

- 73.M2053779 GEAR:OUTPUT:3RD:51Z
- 2.03603006N (x7) SCREW - M3X6
- 45.GB030061 PULLEY:DRIVE:INPUT
- 83.M2053805 SHAFT:INPUT:MECHANICAL DRIVE SECTION:TAKE OFF:ASS'Y
- 35.GB010060 (x3) GEAR:IDLER:NO.2



- 97.M2053790 MECHANICAL DRIVE SECTION:CLEANING UNIT:FRONT:ASS'Y



U001	U002	U003	U004	U005	U006	U007	U008	U009	U010	U011	U012	U013	U014	U015	U016	U017
------	------	------	------	------	------	------	------	------	------	------	------	------	------	------	------	------

U007_S002_S004_S001
BRACKET:COVER:MECHANICAL DRIVE SECTION:TAKE OFF:ASS'Y

13.07413706
BALL BEARING - 6
X10X3

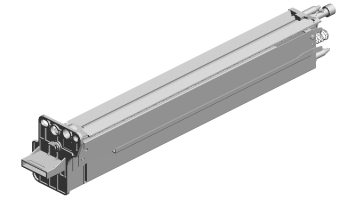


102.M2053497
BRACKET:COVER:
MECHANICAL DRI
VE SECTION:TAKE
OFF:ASS'Y

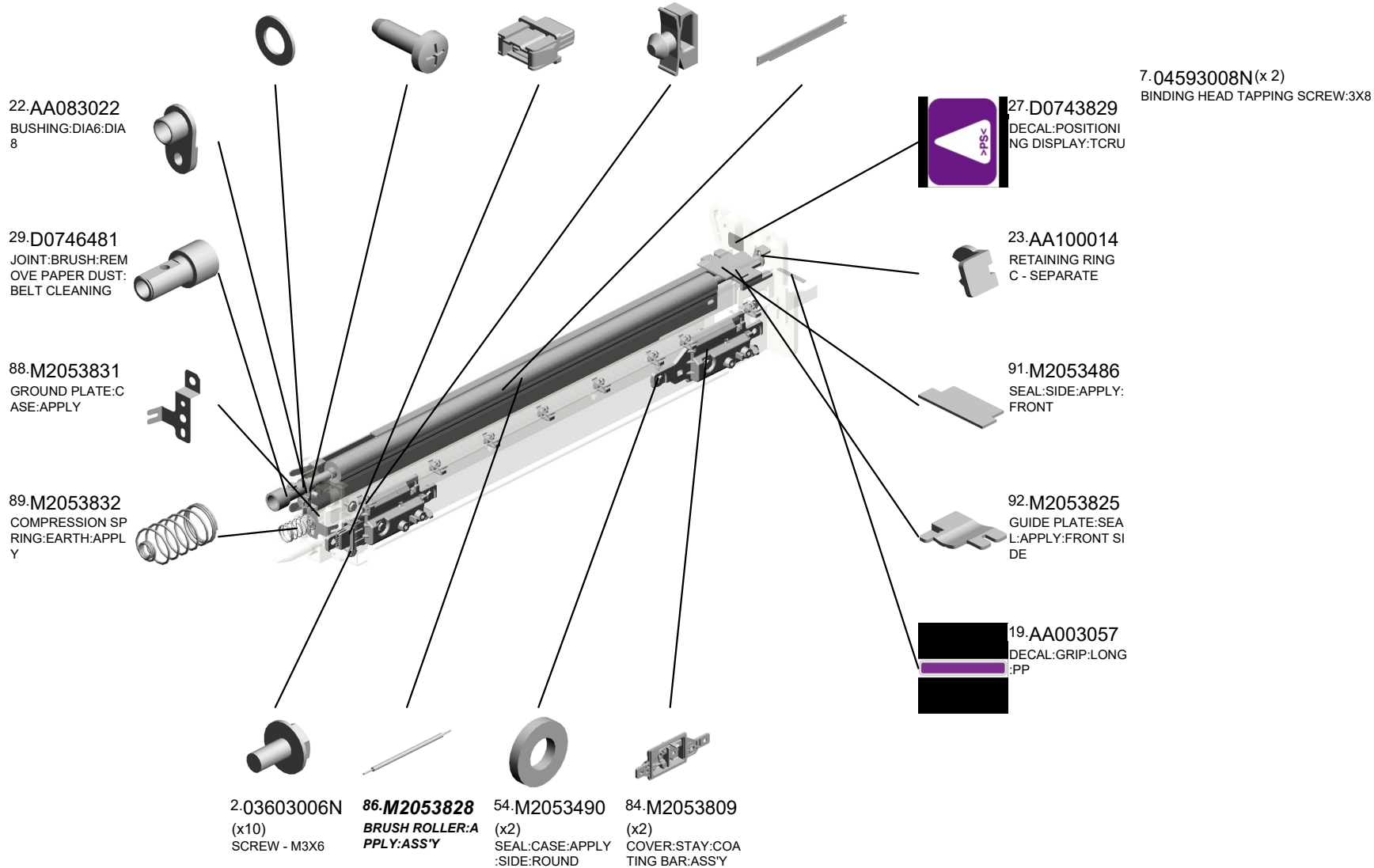
U001	U002	U003	U004	U005	U006	U007	U008	U009	U010	U011	U012	U013	U014	U015	U016	U017
------	------	------	------	------	------	------	------	------	------	------	------	------	------	------	------	------

U007_S003
COATING BAR:BELT CLEANING:ASS'Y

- 8.07080060N WASHER:DIA6
- 5.04503010N TAPPING SCREW - M3X10
- 48.J0155505 DRAWER:CONNECTOR:USED DEVELOPER:PLUG
- 17.11050758 (x8) CLAMP:LWSM-0306A
- 87.M2053830 SLIDE RAIL:CASE:APPLY



85.M2053811
COATING BAR:BELT CLEANING:ASS'Y



U001	U002	U003	U004	U005	U006	U007	U008	U009	U010	U011	U012	U013	U014	U015	U016	U017
------	------	------	------	------	------	------	------	------	------	------	------	------	------	------	------	------

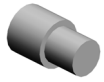
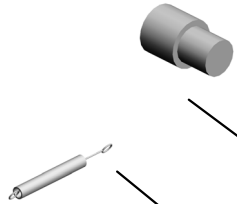
U007_S003_S001
COATING BAR:ASS'Y

18.52062687
(x2)
STUD SCREW - M3

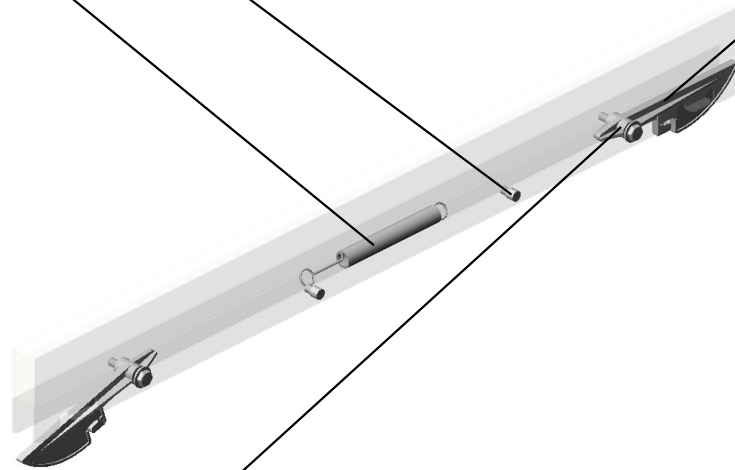


51.M2053487
COATING BAR:AS
S'Y

52.M2053488
COIL SPRING:COA
TING BAR



28.D0746454
(x2)
ARM:COATING BA
R:BELT CLEANING



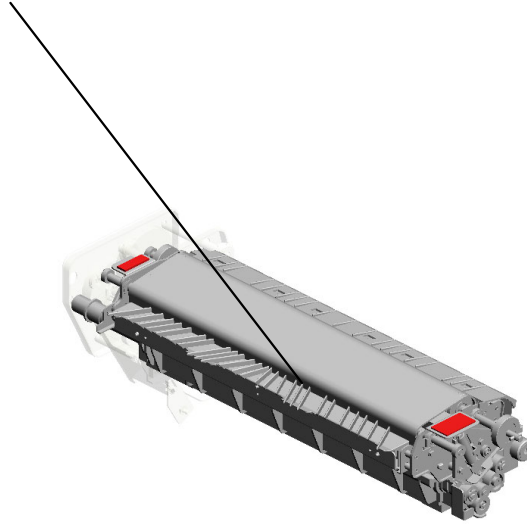
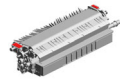
33.G0801169
(x2)
SCREW:M3



U001	U002	U003	U004	U005	U006	U007	U008	U009	U010	U011	U012	U013	U014	U015	U016	U017
------	------	------	------	------	------	------	------	------	------	------	------	------	------	------	------	------

U008.TRANSFER/SEPARATION

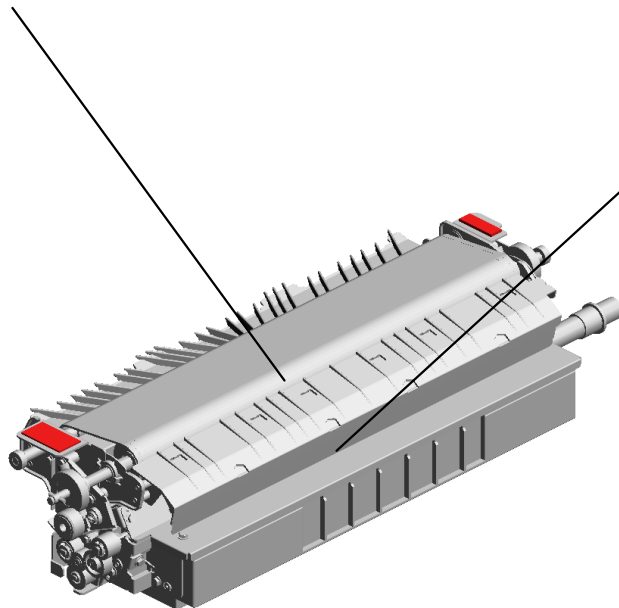
U008 S001
M2050635
BELT UNIT:TRANSFER/SEPA
RATION SECTION:ASSY



U001	U002	U003	U004	U005	U006	U007	U008	U009	U010	U011	U012	U013	U014	U015	U016	U017
------	------	------	------	------	------	------	-------------	------	------	------	------	------	------	------	------	------

U008_S001.BELT UNIT:TRANSFER/SEPARATION SECTION:ASS'Y

U008 S001 S001
M2050639
BELT UNIT:TRANSFER/SEPA
RATION:ASS'Y



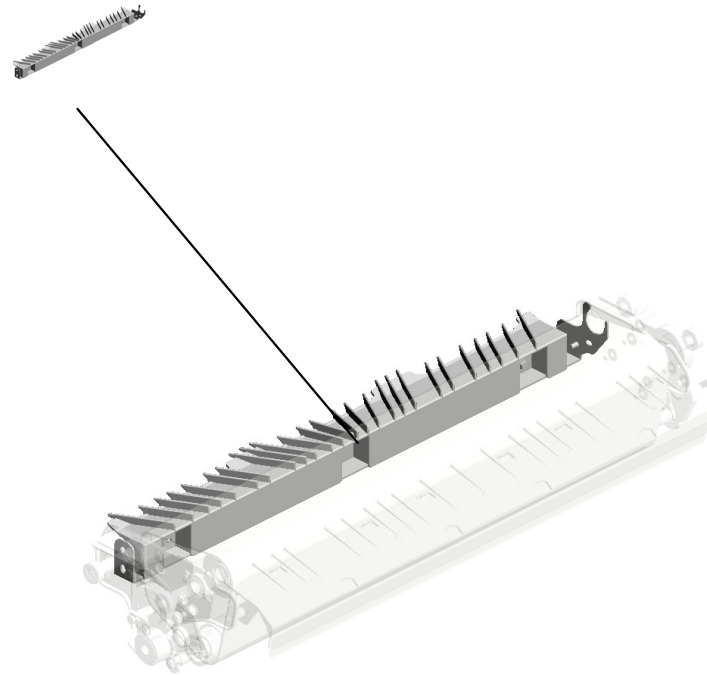
U008 S001 S002
M2050636
BELT CLEANING:TRANSFER/
SEPARATION:ASS'Y



U001	U002	U003	U004	U005	U006	U007	U008	U009	U010	U011	U012	U013	U014	U015	U016	U017
------	------	------	------	------	------	------	-------------	------	------	------	------	------	------	------	------	------

U008_S001_S001.BELT UNIT:TRANSFER/SEPARATION:ASS'Y

U008 S001 S001 S001
M2056532
GUIDE PLATE:EXIT:ASS'Y



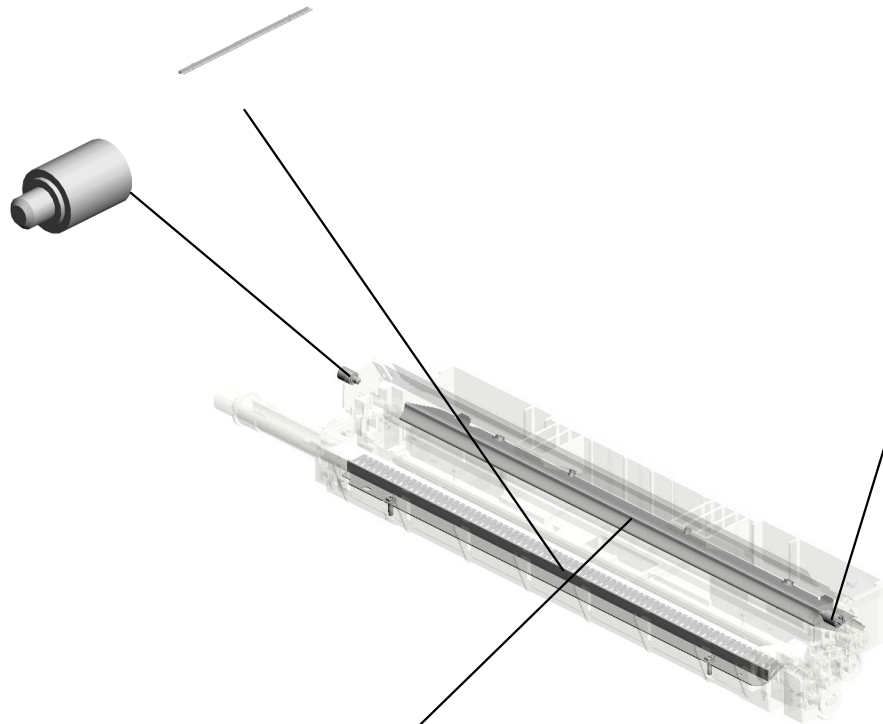
U001	U002	U003	U004	U005	U006	U007	U008	U009	U010	U011	U012	U013	U014	U015	U016	U017
------	------	------	------	------	------	------	-------------	------	------	------	------	------	------	------	------	------

U008_S001_S002.BELT CLEANING:TRANSFER/SEPARATION:ASS'Y

U008 S001 S002 S001
M2053901
SCRAPER:BRUSH:REMOVE
PAPER DUST:ASS'Y

U008 S001 S002 S003
M2053910
SHAFT:FIX:BELT CLEANING:
ASS'Y

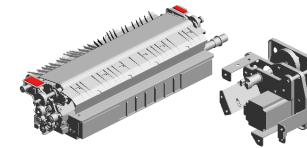
U008 S001 S002 S004
M2053910
SHAFT:FIX:BELT CLEANING:
ASS'Y



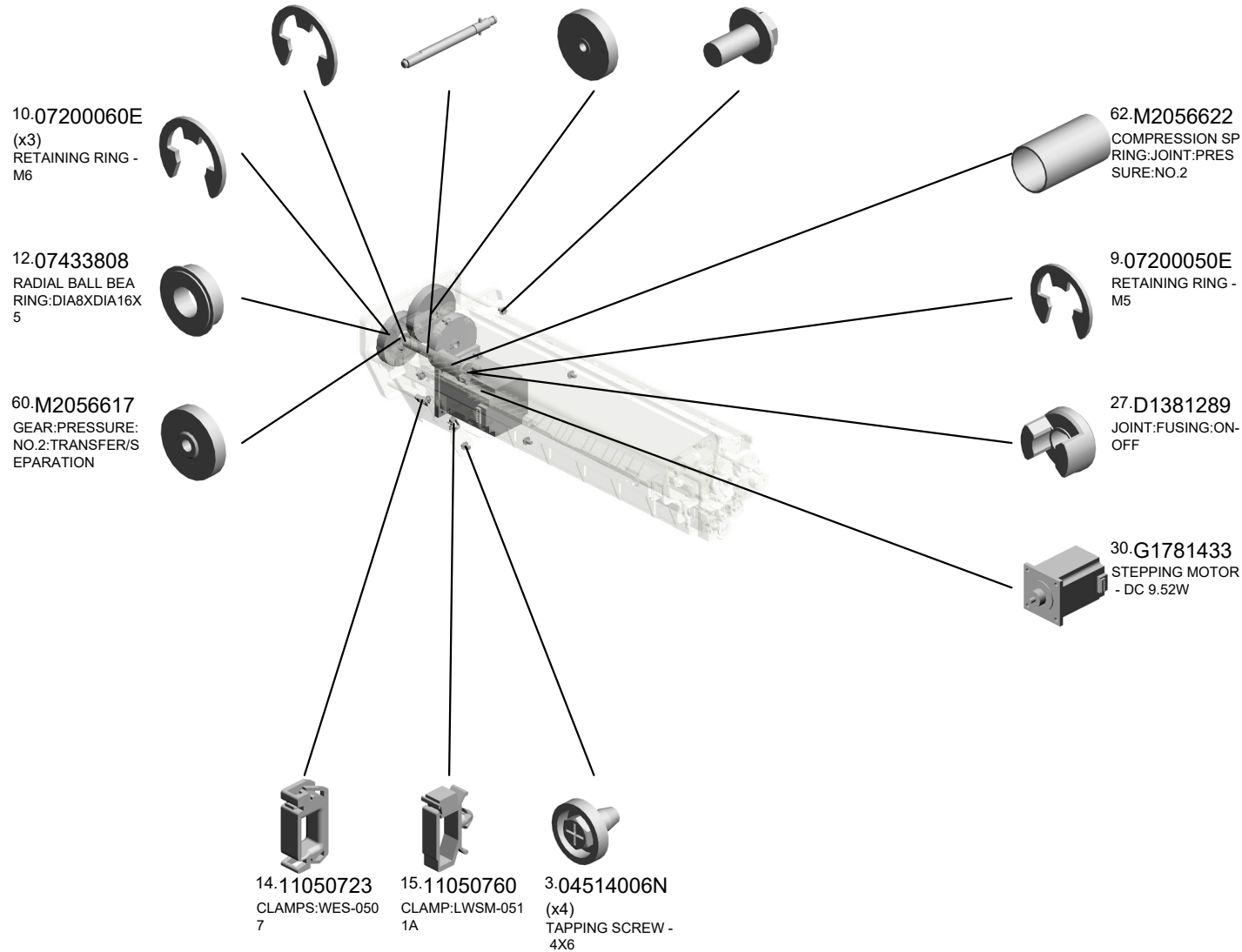
U008 S001 S002 S002
M2053945
COATING BAR:ASS'Y

U001	U002	U003	U004	U005	U006	U007	U008	U009	U010	U011	U012	U013	U014	U015	U016	U017
------	------	------	------	------	------	------	-------------	------	------	------	------	------	------	------	------	------

U008 TRANSFER/SEPARATION

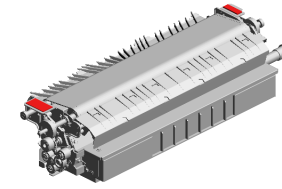


- 11.07200080E RETAINING RING - M8
- 61.M2056618 SHAFT:DRIVE:PRESSURE:NO.2
- 59.M2056616 (x2) GEAR:IDLER:DRIVE:PRESSURE
- 2.03604008N (x10) SCREW - M4X8

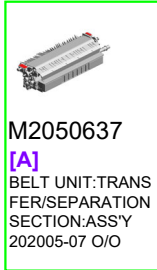


U001	U002	U003	U004	U005	U006	U007	U008	U009	U010	U011	U012	U013	U014	U015	U016	U017
------	------	------	------	------	------	------	------	------	------	------	------	------	------	------	------	------

U008_S001
BELT UNIT:TRANSFER/SEPARATION SECTION:ASS'Y



76.M2050635
[A]
BELT UNIT:TRANS
FER/SEPARATION
SECTION:ASS'Y
202005-07 O/O



M2050637
[A]
BELT UNIT:TRANS
FER/SEPARATION
SECTION:ASS'Y
202005-07 O/O

U001	U002	U003	U004	U005	U006	U007	U008	U009	U010	U011	U012	U013	U014	U015	U016	U017
------	------	------	------	------	------	------	------	------	------	------	------	------	------	------	------	------

U008_S001_S001

BELT UNIT:TRANSFER/SEPARATION:ASS'Y

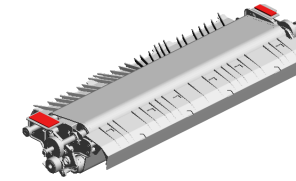
63.M2056624
DECAL:GRIP:TRAN
SFER/SEPARATIO
N UNIT:SECOND:F
RONT

51.M2056514
ROLLER:SEPARAT
ION:TRANSFER/SE
PARATION

54.M2056521
ROLLER:OPPOSE
D:TM SENSOR

74.MOB16362
TRANSFER/TRANS
PORT BELT:NO.2:A
SS'Y
201805-01 O/O

77.M2056699
TRANSFER ROLLE
R:NO.2:ASS'Y
202007-06 O/O



78.M2050639
[A]
BELT UNIT:TRANS
FER/SEPARATION:
ASS'Y
202008-01 O/O

56.M2056531
(x2)
COMPRESSION SP
RING:BELT TENSIO
NER:TRANSFER/
SEPARATION

5.06330140G
PARALLEL PIN - 3X
14

36.GB011204
GEAR:ROLLER:TE
NSION

42.M2051747
PULLEY:TRANSFE
R DRIVE:33T



64.M2056625
DECAL:GRIP:TRAN
SFER/SEPARATIO
N UNIT:SECOND:R
EAR

8.07200040E (x 1)
RETAINING RING - M4

55.M2056523
GRIP:BELT UNIT:R
EAR:TRANSFER/S
EPARATION

1.03603006N
(x15)
SCREW - M3X6

68.M2056698
(x2)
SLIDER:PRESSUR
E:BELT TENSIO
NER
201512-08

10.07200060E
(x4)
RETAINING RING -
M6

52.M2056697
SHAFT:ROLLER:BE
LT TENSIONER:TR
ANSFER/SEPARAT
ION
201601-04 X/O

53.M2056519
ROLLER:TENSION

58.M2056535
GUIDE PLATE:ENT
RANCE:ASS'Y

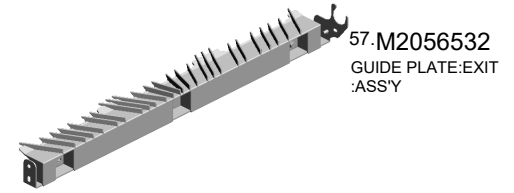


M2050638
[A]
BELT UNIT:TRANS
FER/SEPARATION:
ASS'Y
202008-01 O/O

U001	U002	U003	U004	U005	U006	U007	U008	U009	U010	U011	U012	U013	U014	U015	U016	U017
------	------	------	------	------	------	------	------	------	------	------	------	------	------	------	------	------

U008_S001_S001_S001
GUIDE PLATE:EXIT:ASS'Y

1-03603006N
(x3)
SCREW - M3X6



U001	U002	U003	U004	U005	U006	U007	U008	U009	U010	U011	U012	U013	U014	U015	U016	U017
------	------	------	------	------	------	------	-------------	------	------	------	------	------	------	------	------	------

U008_S001_S002

BELT CLEANING:TRANSFER/SEPARATION:ASS'Y

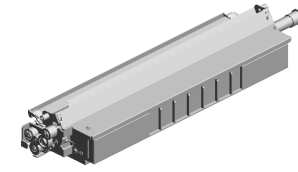
22.D2586321
BLADE:BELT CLEANING:ASS'Y
201605-01 O/O

33.GA060111
TENSION SPRING:
CLEANING BLADE:
TRANSFER/SEPARATION

26.D0746484
SEAL:HOLDER:CLEANING BLADE:REAR LOWER

37.GB011205
GEAR:BRUSH:APPLY

18.AA082173
(x2)
PLAIN SHAFT BEARING:6X10X6



41.M2050636
BELT CLEANING:TRANSFER/SEPARATION:ASS'Y

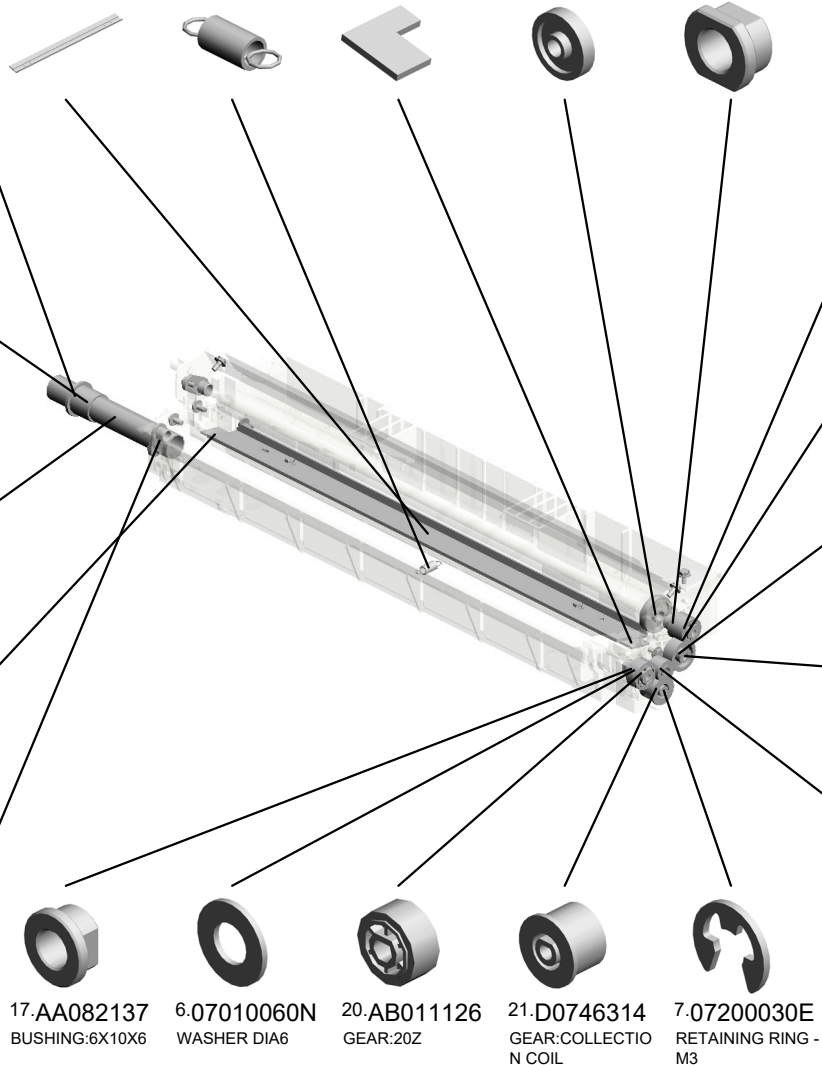
32.G1783672
CAP:PIPE:DISCHARGE USED TONER

28.D1793531
TONER CATCHPAN:PIPE:DISCHARGE USED TONER

35.GA063106
COMPRESSION SPRING:SHUTTER:DISCHARGE USED TONER

25.D0746483
SEAL:HOLDER:CLEANING BLADE:FRONT LOWER

19.AA083022
(x2)
BUSHING:DIA6:DIA8



8.07200040E (x 1)
RETAINING RING - M4

24.D0746477
GEAR:BRUSH:REMOVE PAPER DUST:Z17

1.03603006N
(x13)
SCREW - M3X6

38.GB011206
GEAR:IDLER:NO.1

13.08050104
(x5)
RETAINING RINGS -E.SILENCER:DIA4

39.GB011207
GEAR:IDLER:NO.2

17.AA082137
BUSHING:6X10X6

6.07010060N
WASHER DIA6

20.AB011126
GEAR:20Z

21.D0746314
GEAR:COLLECTION COIL

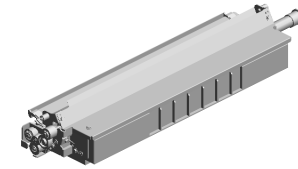
7.07200030E
RETAINING RING - M3

U001	U002	U003	U004	U005	U006	U007	U008	U009	U010	U011	U012	U013	U014	U015	U016	U017
------	------	------	------	------	------	------	------	------	------	------	------	------	------	------	------	------

U008_S001_S002

BELT CLEANING:TRANSFER/SEPARATION:ASS'Y

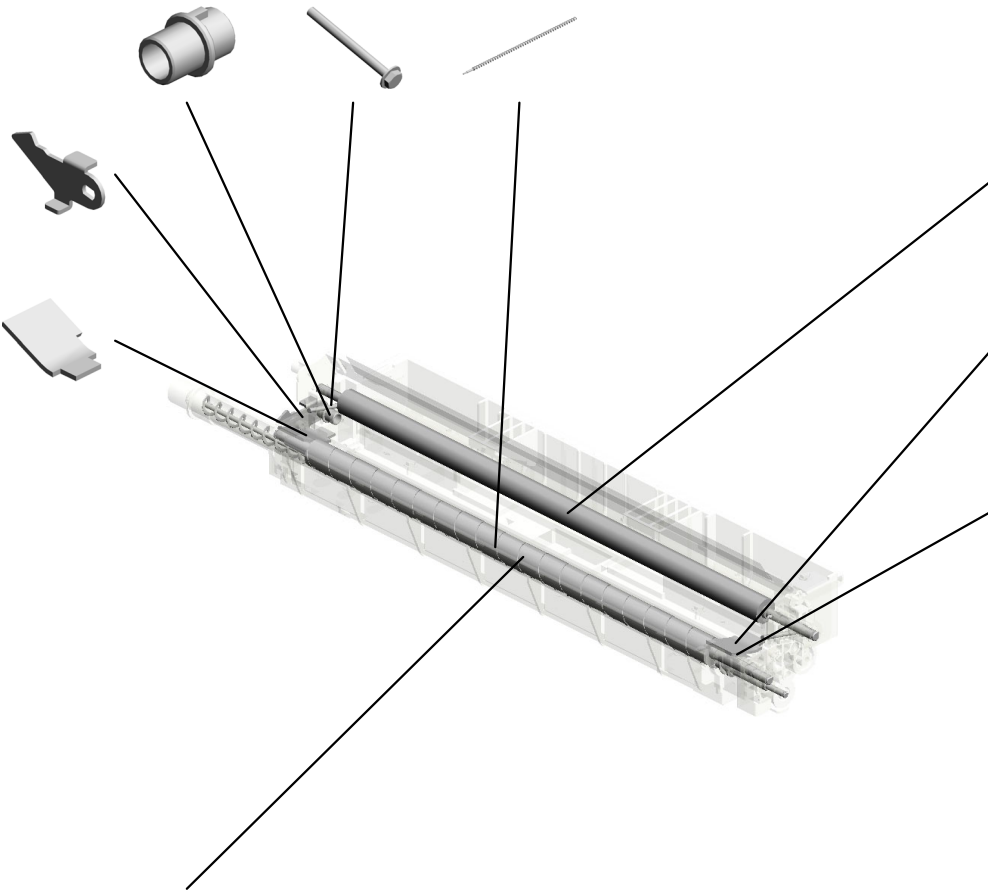
43.M2053930 PLAIN SHAFT BEARING:TRANSFER/SEPARATION:REAR
 71.03603035N (x2) SCREW:M3X35
 47.M2053940 TRANSPORT SCRREW:TRANSFER/SEPARATION:ASS'Y



41.M2050636 BELT CLEANING:TRANSFER/SEPARATION:ASS'Y

44.M2053931 RELEASE PLATE:BELT CLEANING

70.M2053923 SEAL:BELT CLEANING:TRANSFER/SEPARATION:REAR



46.M2056549 BRUSH:APPLY:BELT CLEANING:ASS'Y
 201602-01 O/O

69.M2053922 SEAL:BELT CLEANING:TRANSFER/SEPARATION:FRONT

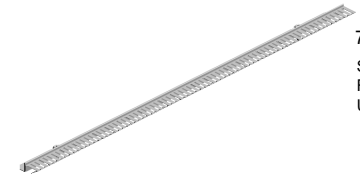
75.M2056548 (x2) SEAL:BELT CLEANING:TRANSFER/SEPARATION:LOWER
 201809-08

45.M2056550 BRUSH ROLLER:FLAT BELT-TRANSFER:ASS'Y
 201510-02 O/O

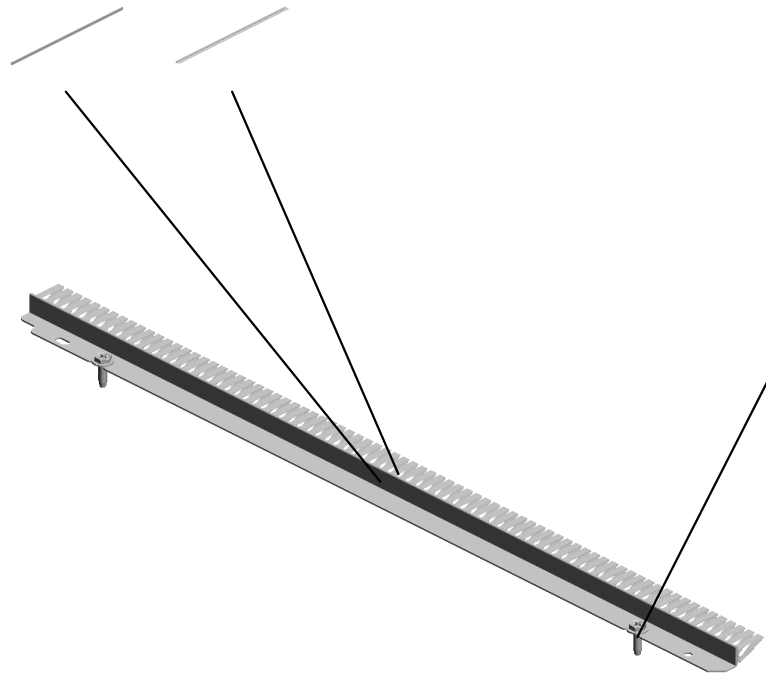
U001	U002	U003	U004	U005	U006	U007	U008	U009	U010	U011	U012	U013	U014	U015	U016	U017
------	------	------	------	------	------	------	------	------	------	------	------	------	------	------	------	------

U008_S001_S002_S001
SCRAPER:BRUSH:REMOVE PAPER DUST:ASS'Y

65.M2056667 66.M2056668
SCRAPER:BRUSH VIBRATING PLATE:
ROLLER:TRANSFE TRANSPORT SCR
R/SEPARATION UN EW:BELT CLEANIN
IT G



73.M2053901
SCRAPER:BRUSH:
REMOVE PAPER D
UST:ASS'Y



4.04583010N
(x2)
HEXAGON HEAD T
APPING SCREW:3
X10

U001	U002	U003	U004	U005	U006	U007	U008	U009	U010	U011	U012	U013	U014	U015	U016	U017
------	------	------	------	------	------	------	-------------	------	------	------	------	------	------	------	------	------

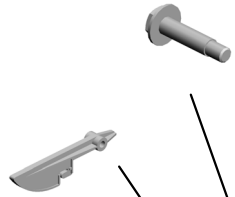
U008_S001_S002_S002
COATING BAR:ASS'Y

29.G0801169
(x2)
SCREW:M3

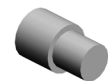


48.M2053945
COATING BAR:AS
S'Y

23.D0746454
(x2)
ARM:COATING BA
R:BELT CLEANING



34.GA060112
COIL SPRING:COA
TING BAR

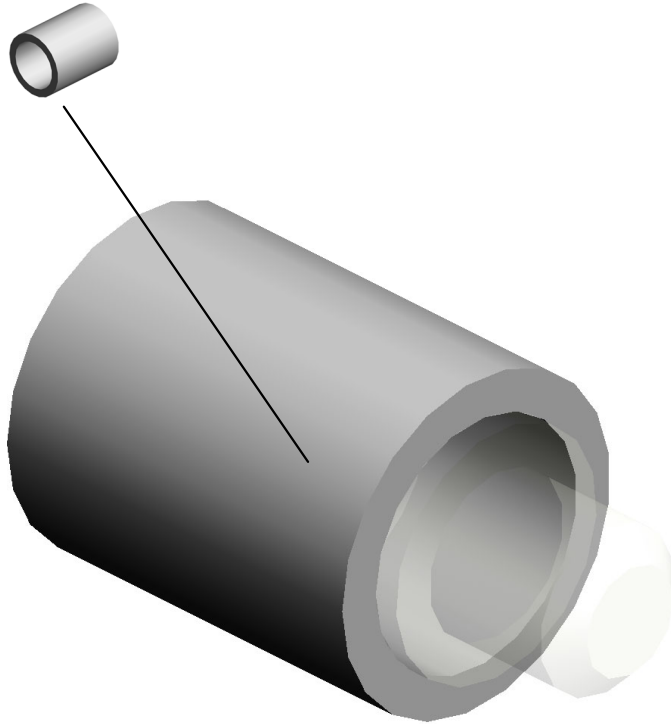
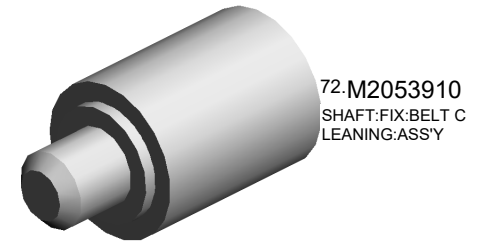


16.52062687
(x2)
STUD SCREW - M3

U001	U002	U003	U004	U005	U006	U007	U008	U009	U010	U011	U012	U013	U014	U015	U016	U017
------	------	------	------	------	------	------	------	------	------	------	------	------	------	------	------	------

U008_S001_S002_S003
SHAFT:FIX:BELT CLEANING:ASS'Y

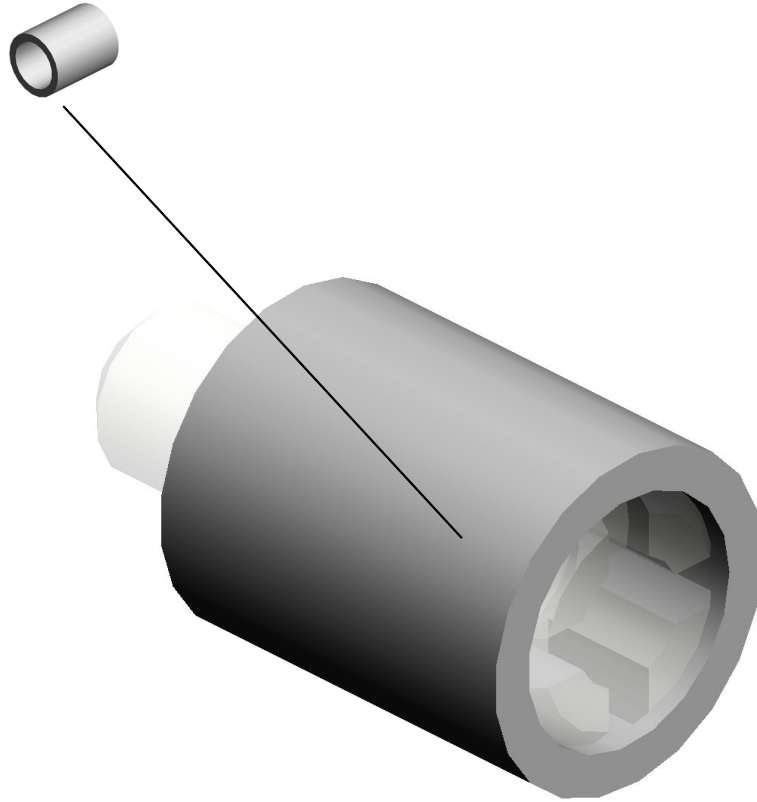
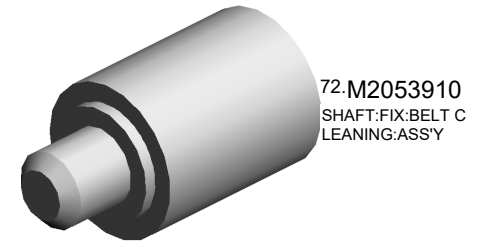
31.G1783517
ROLLER:RELEASE



U001	U002	U003	U004	U005	U006	U007	U008	U009	U010	U011	U012	U013	U014	U015	U016	U017
------	------	------	------	------	------	------	------	------	------	------	------	------	------	------	------	------

U008_S001_S002_S004
SHAFT:FIX:BELT CLEANING:ASS'Y

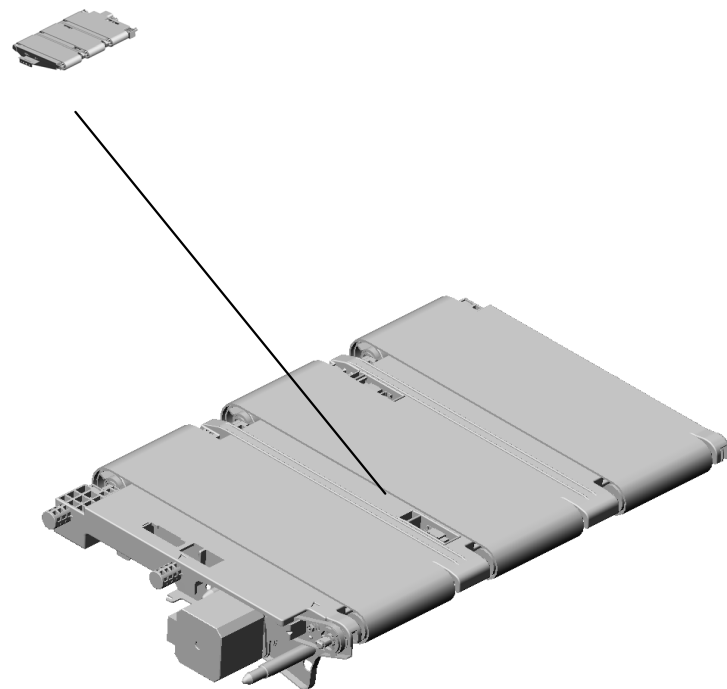
31.G1783517
ROLLER:RELEASE



U001	U002	U003	U004	U005	U006	U007	U008	U009	U010	U011	U012	U013	U014	U015	U016	U017
------	------	------	------	------	------	------	-------------	------	------	------	------	------	------	------	------	------

U009.SEPARATION/PAPER TRANSPORT:RIGHT

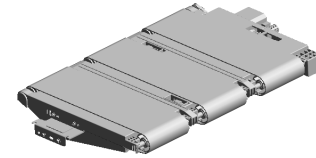
U009 S001
M2053896
TRANSPORT BELT UNIT:NO.
1:ASSY



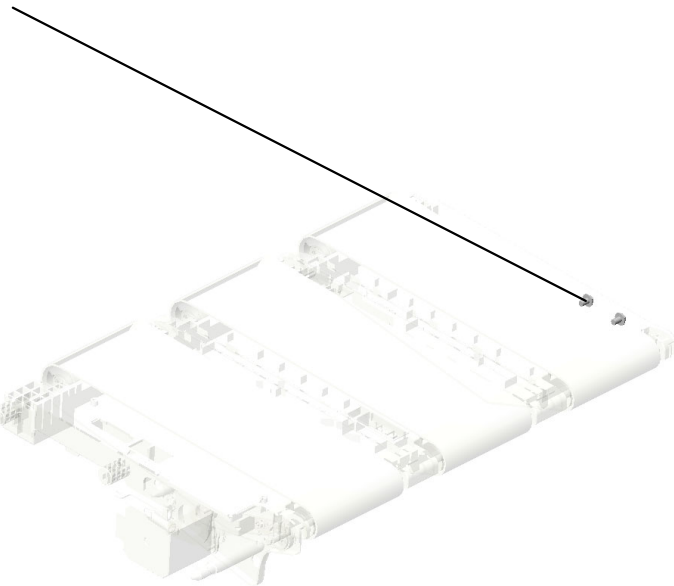
U001	U002	U003	U004	U005	U006	U007	U008	U009	U010	U011	U012	U013	U014	U015	U016	U017
------	------	------	------	------	------	------	------	------	------	------	------	------	------	------	------	------

U009
SEPARATION/PAPER TRANSPORT:RIGHT

3.03604006N
(x2)
SCREW - M4X6



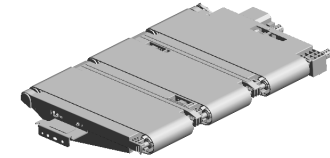
3.03604006N(x 2)
SCREW - M4X6



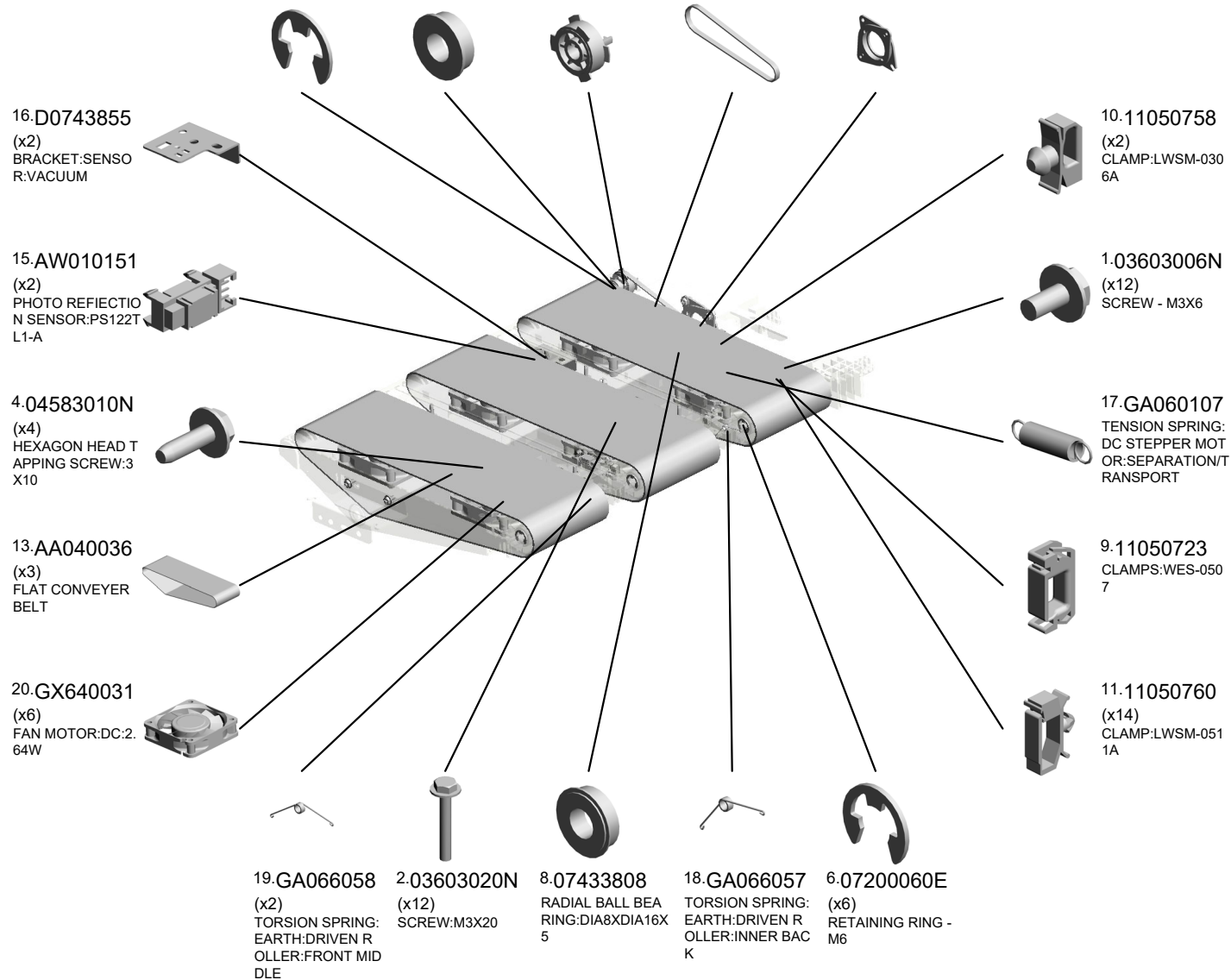
U001	U002	U003	U004	U005	U006	U007	U008	U009	U010	U011	U012	U013	U014	U015	U016	U017
------	------	------	------	------	------	------	------	------	------	------	------	------	------	------	------	------

U009_S001
 TRANSPORT BELT UNIT:NO.1:ASS'Y

- 5.07200050E (x2) RETAINING RING - M5
- 7.07413506 BALL BEARING - 6 X12X4 MM
- 21.J0254116 TIMING PULLEY:PUMP
- 14.AA043486 TIMING BELST - B4 OS2M194
- 12.A2324666 CUSHION - STEPPER MOTOR



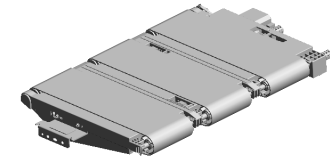
33.M2053896
 [A]
 TRANSPORT BELT
 UNIT:NO.1:ASS'Y
 202005-04 X/O



U001	U002	U003	U004	U005	U006	U007	U008	U009	U010	U011	U012	U013	U014	U015	U016	U017
------	------	------	------	------	------	------	------	------	------	------	------	------	------	------	------	------

U009_S001
 TRANSPORT BELT UNIT:NO.1:ASS'Y

31.M0B13701 32.M0B13702 25.M2053876
 BRACKET:PLATE:DRIVE ROLLER 202005-06
 DRIVE ROLLER:SEPARATION/TRANSPORT:PRESS FIT 202005-05 X/O
 SHAFT:DRIVEN:FLAT CONVEYER BELT

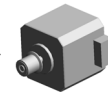
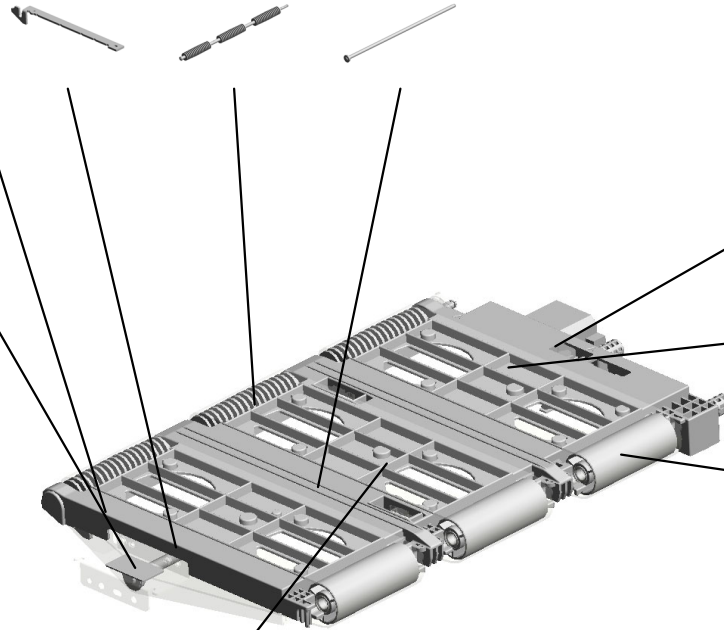


33.M2053896
 [A]
 TRANSPORT BELT UNIT:NO.1:ASS'Y 202005-04 X/O

30.03603008N
 (x2)
 SCREW:M3X8
 202005-03 X/O



27.M2057520
 DECAL:SIDE PLATE:PICK-UP PAPER JAM:C3



22.M0261190
 DC STEPPER MOTOR:REGISTER:1.34W



29.M2053880
 BRACKET:DC STEPPER MOTOR:SEPARATION/TRANSPORT



26.M2053893
 (x3)
 DRIVEN ROLLER:PRESS FIT



34.M0EDK155
 VACUUM
 202309-01 O/O



M2053855
 [A]
 TRANSPORT BELT UNIT:NO.1:ASS'Y 202005-04 X/O

U001	U002	U003	U004	U005	U006	U007	U008	U009	U010	U011	U012	U013	U014	U015	U016	U017
------	------	------	------	------	------	------	------	------	------	------	------	------	------	------	------	------

U010.USED TONER

U010 S002
M2056707
TONER RECYCLING SUB-UN
IT:VERTICAL TRANSPORT:A
SS'Y

U010 S001
M2056711
TONER RECYCLING SUB-UN
IT:TRANSPORT SUB-UNIT:U
PPER:ASS'Y

U010 S003
M2056710
TONER RECYCLING SUB-UN
IT:HORIZONTAL TRANSPOR
T:LOWER:ASS'Y



U001	U002	U003	U004	U005	U006	U007	U008	U009	U010	U011	U012	U013	U014	U015	U016	U017
------	------	------	------	------	------	------	------	------	-------------	------	------	------	------	------	------	------

U010_S003.TONER RECYCLING SUB-UNIT:HORIZONTAL TRANSPORT:LOWER:ASS'Y

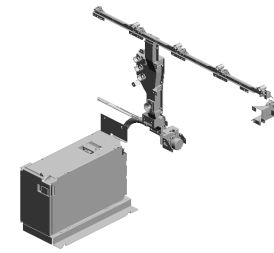
U010 S003 S001
G1786999
HOLDER:BEARING:TONER R
ECYCLING:ASS'Y



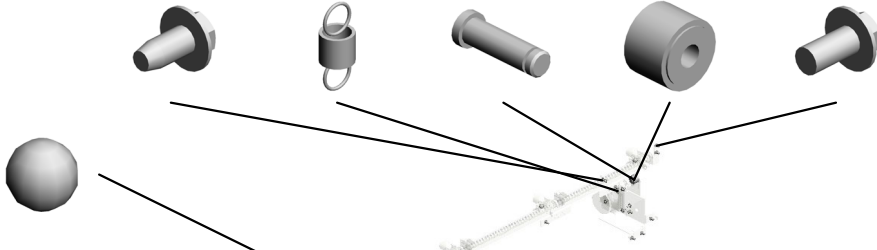
U001	U002	U003	U004	U005	U006	U007	U008	U009	U010	U011	U012	U013	U014	U015	U016	U017
------	------	------	------	------	------	------	------	------	------	------	------	------	------	------	------	------

U010 USED TONER

- 5.04514008N (x25) TAPPING SCREW: 4X8
- 16.AA060950 TENSION SPRING
- 21.D1791327 SHAFT:BELT TENSIONER:DRIVE:USED TONER
- 22.D1791329 PULLEY:TIGHTENER:DIA18
- 1.03604008N (x11) SCREW - M4X8



- 20.D0746517 (x4) STEEL BALL:TONE R OUTLET SUB-UNIT



- 17.AA143545 SCREW:M4



- 15.11050758 (x6) CLAMP:LWSM-0306A



- 18.AW020164 (x2) OIL END SENSOR



- 29.G1787004 (x2) SPRING



- 4.04513006N (x2) TAPPING SCREW - 3X6



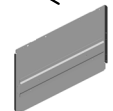
- 26.G1786972 BRACKET:SENSOR:TONER COLLECTION



- 6.04544008Q (x13) TAPPING SCREW - M4X8



- 30.G1787013 COVER:COLLECTION BOTTLE:LEFT



- 24.G1786952 COVER:FRONT:TONER COLLECTION



- 19.AW020198 PHOTOINTERRUPTOR:LG2A14NL1



- 25.G1786961 COVER:COLLECTION BOTTLE:UPPER



- 31.G1787017 SPRING:LATCH



- 3.04504010N (x4) TAPPING SCREW: M4X10



- 33.G1787032 COVER:LATCH:TONER COLLECTION

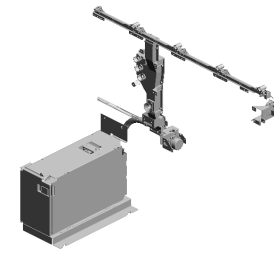


- 9.07200040E (x 3) RETAINING RING - M4

U001	U002	U003	U004	U005	U006	U007	U008	U009	U010	U011	U012	U013	U014	U015	U016	U017
------	------	------	------	------	------	------	------	------	------	------	------	------	------	------	------	------

U010 USED TONER

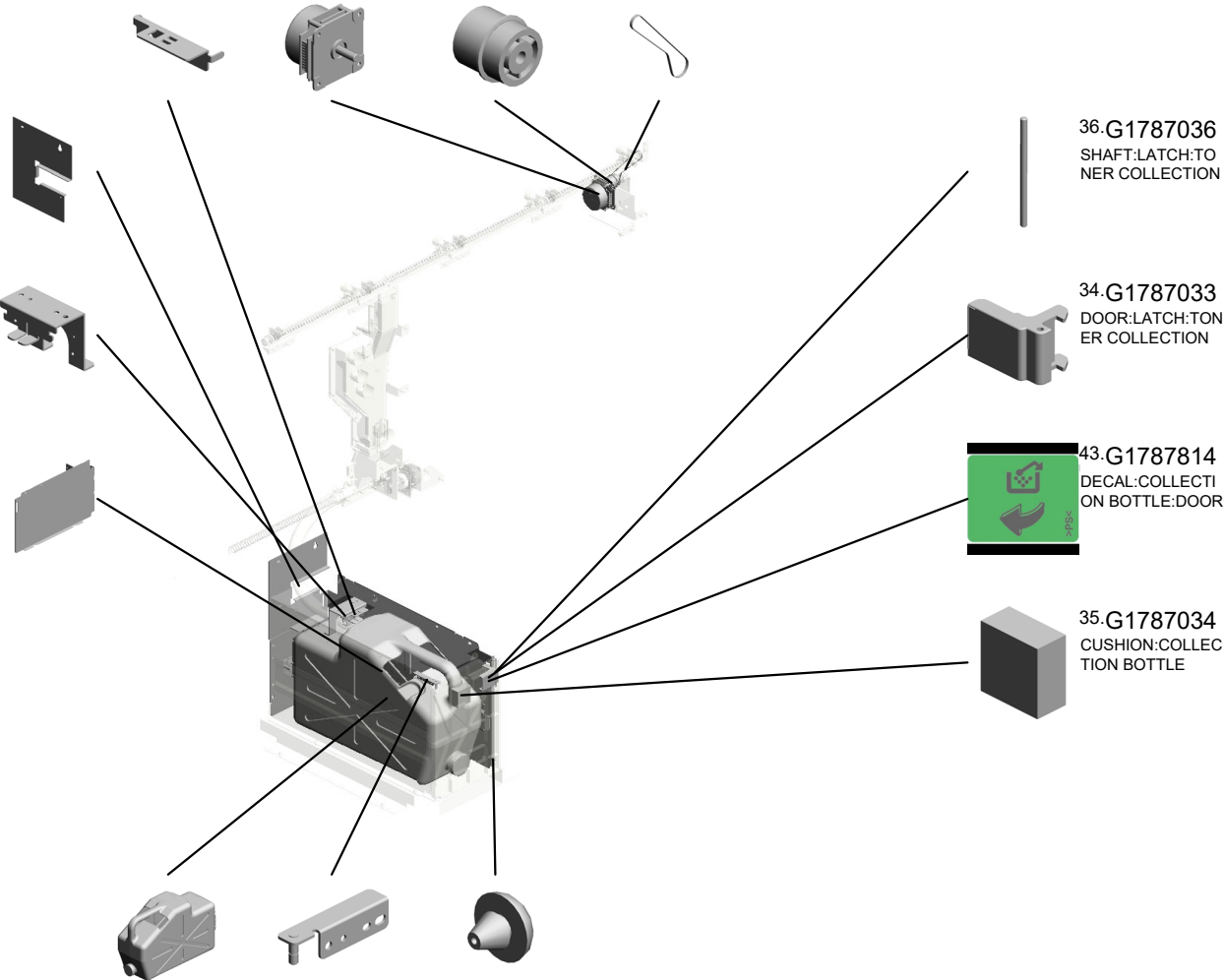
41.G1787080 HOLDER:SENSOR:
TONER COLLECTI
ON
52.M2056721 DC MOTOR:MM56:
15W:BRUSHLESS
51.M2056718 GEAR:PULLEY:Z51
/T43:TONER RECY
CLING:ASS'Y
46.GA043031 SYNCHRONOUS B
ELT:S2M:4X316



55.M2056878 COVER:TONER RE
CYCLING

39.G1787076 PLATE:PIPE:STOP
PER:TONER COLL
ECTION

47.M0777011 COVER:RIGHT:TO
NER RECYCLING:A
SS'Y



36.G1787036 SHAFT:LATCH:TO
NER COLLECTION

34.G1787033 DOOR:LATCH:TON
ER COLLECTION

43.G1787814 DECAL:COLLECTI
ON BOTTLE:DOOR

35.G1787034 CUSHION:COLLEC
TION BOTTLE

56.MOB16573 COLLECTION BOT
TLE:TONER RECY
CLING:ASS'Y
201711-06 O/O
37.G1787061 STAY:DOOR:TON
ER COLLECTION
42.G1787667 (x2)
RUBBER FOOT

U001	U002	U003	U004	U005	U006	U007	U008	U009	U010	U011	U012	U013	U014	U015	U016	U017
------	------	------	------	------	------	------	------	------	------	------	------	------	------	------	------	------

U010_S001
 TONER RECYCLING SUB-UNIT:TRANSPORT SUB-UNIT:UPPER:ASS'Y

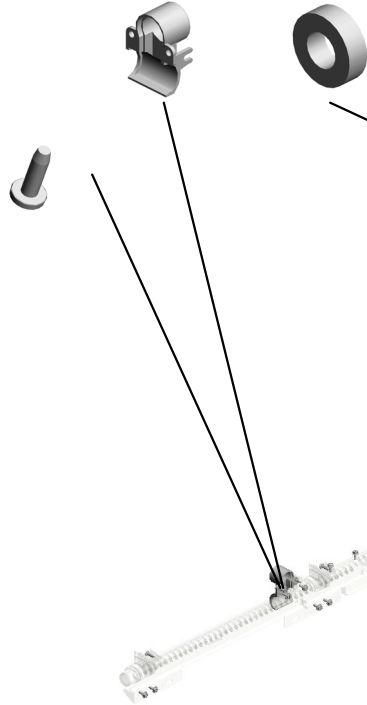
58.M2056827 (x4)
 GUIDE:REAR:TONER RECYCLING

23.G0602296
 BALL BEARING:8X16X5MM



50.M2056711
 TONER RECYCLING SUB-UNIT:TRANSPORT SUB-UNIT:UPPER:ASS'Y

7.04593010N
 (x13)
 BINDING HEAD TAPPING SCREW:3X10



2.04503008N
 (x20)
 TAPPING SCREW - M3X8

10.07200060E
 RETAINING RING - M6



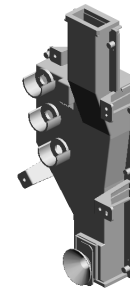
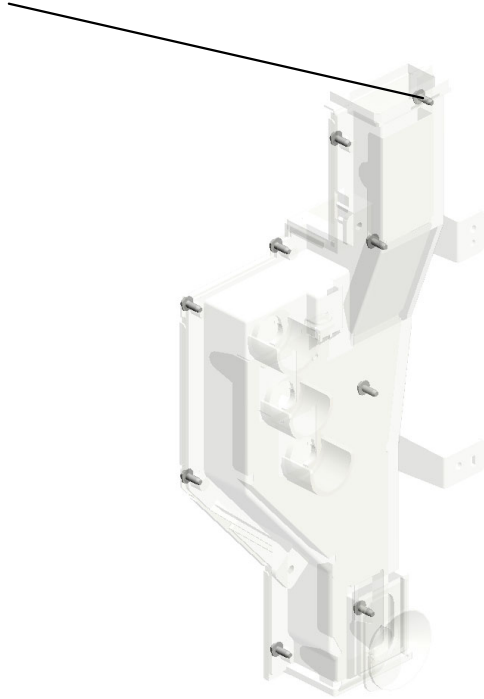
53.M2056838
 TIMING PULLEY:T29



U001	U002	U003	U004	U005	U006	U007	U008	U009	U010	U011	U012	U013	U014	U015	U016	U017
------	------	------	------	------	------	------	------	------	------	------	------	------	------	------	------	------

U010_S002
TONER RECYCLING SUB-UNIT:VERTICAL TRANSPORT:ASS'Y

3.04504010N
(x9)
TAPPING SCREW:
M4X10



48.M2056707
TONER RECYCLIN
G SUB-UNIT:VERTI
CAL TRANSPORT:
ASS'Y

U001	U002	U003	U004	U005	U006	U007	U008	U009	U010	U011	U012	U013	U014	U015	U016	U017
------	------	------	------	------	------	------	------	------	------	------	------	------	------	------	------	------

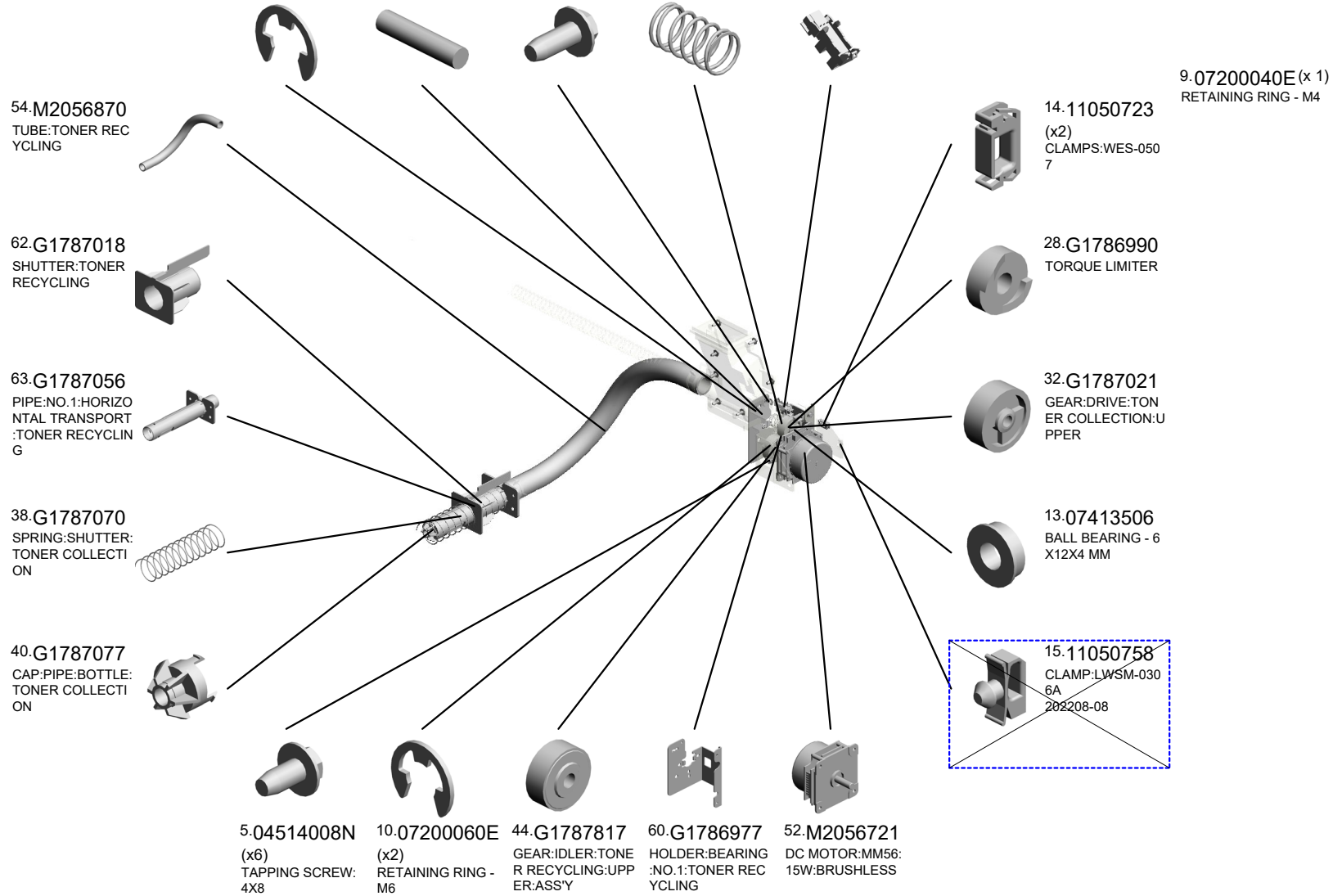
U010_S003

TONER RECYCLING SUB-UNIT:HORIZONTAL TRANSPORT:LOWER:ASS'Y

- 11.07200080E RETAINING RING - M8
- 8.06330140G PARALLEL PIN - 3X14
- 3.04504010N (x10) TAPPING SCREW: M4X10
- 45.G1787829 COMPRESSION SPRING:TONER RECYCLING
- 19.AW020198 PHOTOINTERRUPTOR:LG2A14NL1



57.M2056710
[A]
 TONER RECYCLING SUB-UNIT:HORIZONTAL TRANSPORT:LOWER:ASS'Y
 201711-05 O/O

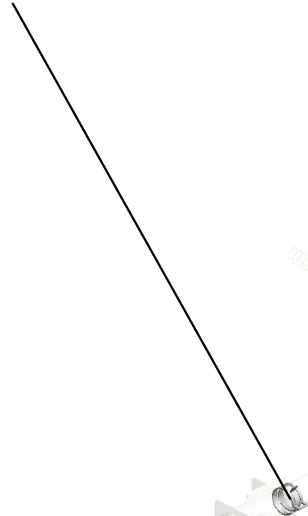


U001	U002	U003	U004	U005	U006	U007	U008	U009	U010	U011	U012	U013	U014	U015	U016	U017
------	------	------	------	------	------	------	------	------	------	------	------	------	------	------	------	------

U010_S003

TONER RECYCLING SUB-UNIT:HORIZONTAL TRANSPORT:LOWER:ASS'Y

65.G1787816
(x2)
STOPPER:PIPE:TO
NER RECYCLING



64.G1787082
PLATE:SENSOR:T
ONER RECYCLING



57.M2056710
[A]
TONER RECYCLIN
G SUB-UNIT:HORIZ
ONTAL TRANSPOR
T:LOWER:ASS'Y
201711-05 O/O

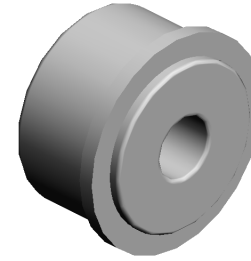


M2056708
[A]
TONER RECYCLIN
G SUB-UNIT:HORIZ
ONTAL TRANSPOR
T:LOWER:ASS'Y
201711-05 O/O

U001	U002	U003	U004	U005	U006	U007	U008	U009	U010	U011	U012	U013	U014	U015	U016	U017
------	------	------	------	------	------	------	------	------	------	------	------	------	------	------	------	------

U010_S003_S001
HOLDER:BEARING:TONER RECYCLING:ASS'Y

12.07403008
BALL BEARING - 8
X22X7



61.G1786999
HOLDER:BEARING
:TONER RECYCLIN
G:ASS'Y

U001	U002	U003	U004	U005	U006	U007	U008	U009	U010	U011	U012	U013	U014	U015	U016	U017
------	------	------	------	------	------	------	------	------	------	------	------	------	------	------	------	------

U011.PAPER TRANSPORT:RIGHT

U011 S010
D7772509
PAPER FEED UNIT:ASS'Y

U011 S008
D7771440
DAMPER:TRAY:LEFT:ASS'Y

U011 S012
M2052536
GUIDE PLATE:VERTICAL TR
ANSPORT:LEFT:ASS'Y

U011 S007
D7771206
COVER:PAPER TRAY:LOWE
R:ASS'Y

U011 S001
D7771168
DRIVE UNIT:PAPER FEED:AS
S'Y

U011 S011
M2052496
PAPER TRAY:ASS'Y

U011 S003
D7771194
BLOWER:SEAL:ADHESION

U011 S009
D7771445
DAMPER:TRAY:RIGHT:ASS'Y

U011 S002
D7771166
DUCT:LOWER:VACUUM:ASS'
Y

U011 S006
M2056191
HEAT SINK:HEATER:LOWER
:ASS'Y

U011 S004
D7771194
BLOWER:SEAL:ADHESION

U011 S005
D7773009
GEAR:RISE:DRIVEN:ASS'Y

U001	U002	U003	U004	U005	U006	U007	U008	U009	U010	U011	U012	U013	U014	U015	U016	U017
------	------	------	------	------	------	------	------	------	------	------	------	------	------	------	------	------

U011.PAPER TRANSPORT:RIGHT

U011 S015
M2057385
GUIDE PLATE:REGISTRATIO
N:RIGHT UPPER:ASS'Y

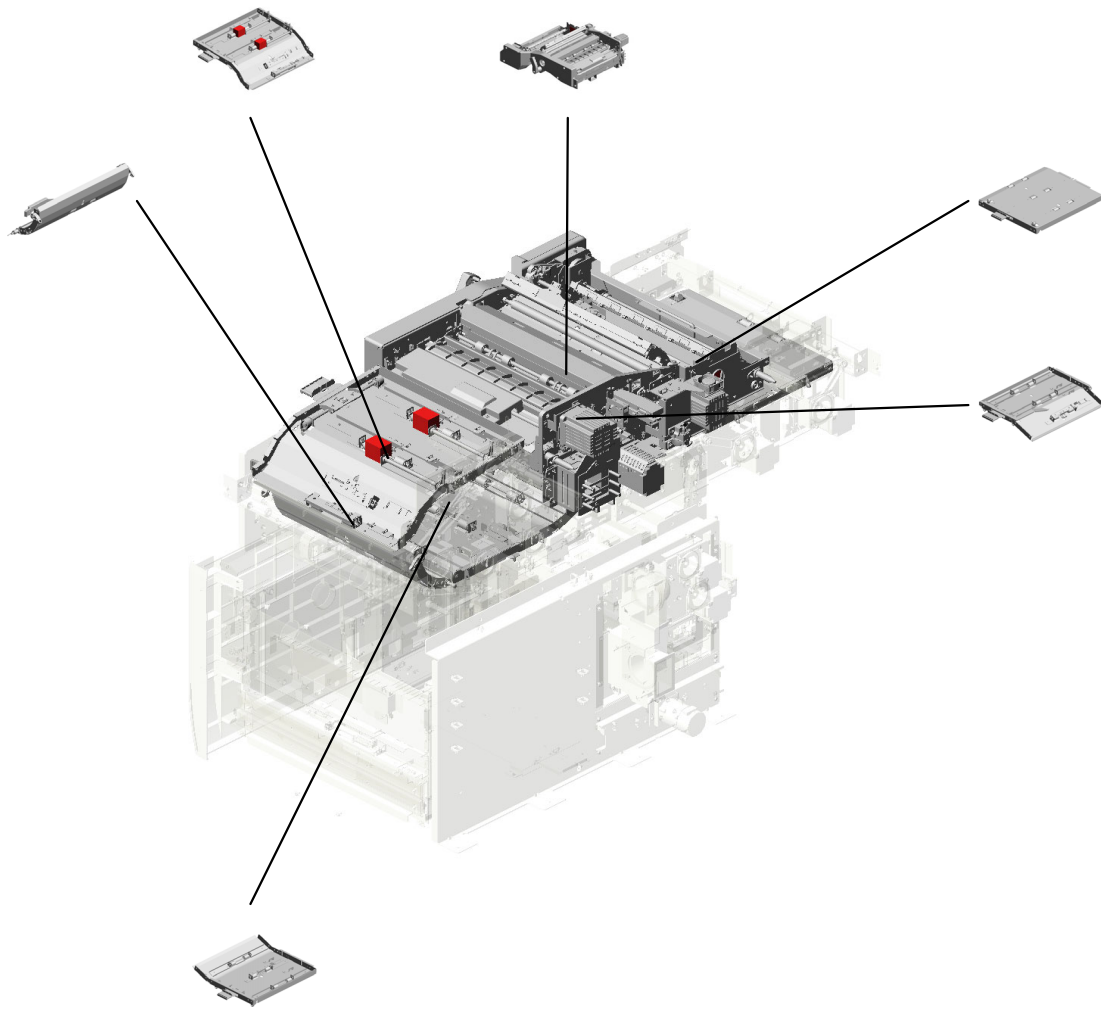
U011 S013
M2057478
TRANSPORT UNIT:REGISTR
ATION:PULL OUT:ASS'Y

U011 S014
M2057383
GUIDE PLATE:REGISTRATIO
N:RIGHT:TURN

U011 S018
M2057389
GUIDE PLATE:REGISTRATIO
N:LEFT LOWER:ASS'Y

U011 S017
M2057388
GUIDE PLATE:REGISTRATIO
N:LEFT UPPER:ASS'Y

U011 S016
M2057386
GUIDE PLATE:REGISTRATIO
N:RIGHT LOWER:ASS'Y



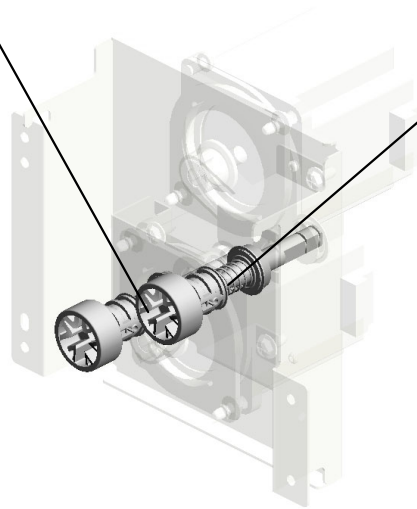
U001	U002	U003	U004	U005	U006	U007	U008	U009	U010	U011	U012	U013	U014	U015	U016	U017
------	------	------	------	------	------	------	------	------	------	------	------	------	------	------	------	------

U011_S001.DRIVE UNIT:PAPER FEED:ASS'Y

U011 S001 S001
D7771197
SHAFT:PAPER FEED:DRIVE:
ASSY



U011 S001 S002
D7771197
SHAFT:PAPER FEED:DRIVE:
ASSY

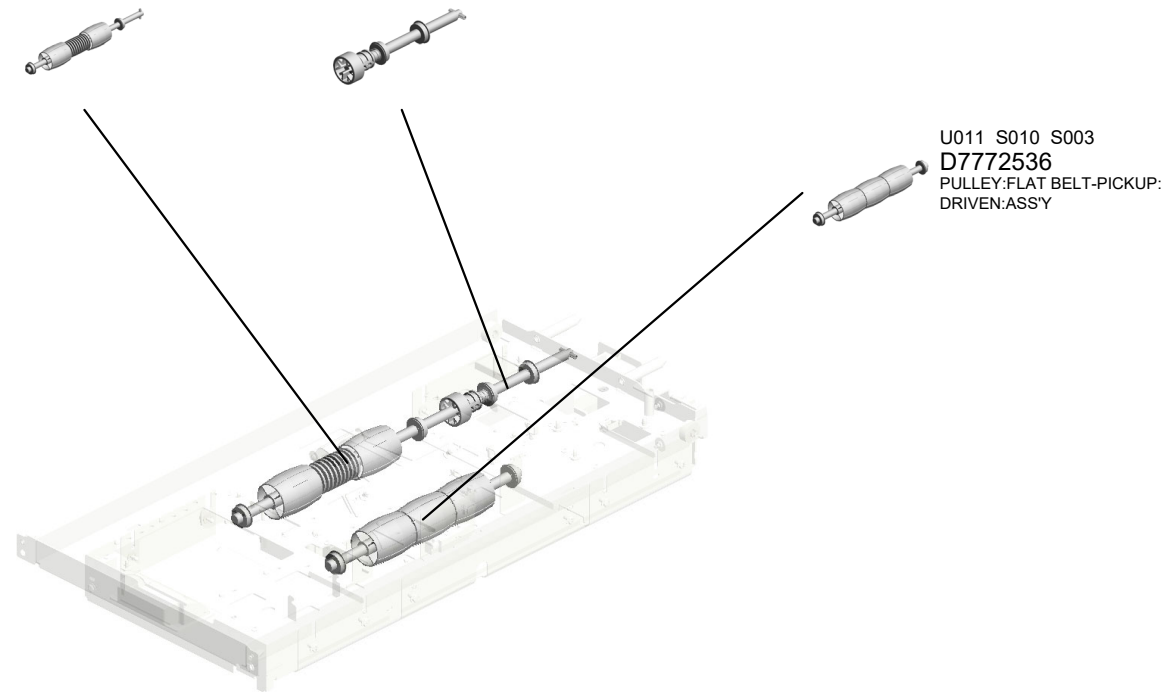


U001	U002	U003	U004	U005	U006	U007	U008	U009	U010	U011	U012	U013	U014	U015	U016	U017
------	------	------	------	------	------	------	------	------	------	------	------	------	------	------	------	------

U011_S010.PAPER FEED UNIT:ASS'Y

U011 S010 S002
D7772531
PULLEY:FLAT BELT-PICKUP:
DRIVE:ASS'Y

U011 S010 S001
D7772520
SHAFT:DRIVE:FLAT BELT-P
CKUP:ASS'Y



U001	U002	U003	U004	U005	U006	U007	U008	U009	U010	U011	U012	U013	U014	U015	U016	U017
------	------	------	------	------	------	------	------	------	------	------	------	------	------	------	------	------

U011_S011.PAPER TRAY:ASS'Y

U011 S011 S007
D7771170
BLOWER:SEAL

U011 S011 S008
D7772865
DUCT:FRONT:BLOWER:ASS'
Y

U011 S011 S006
D7771170
BLOWER:SEAL

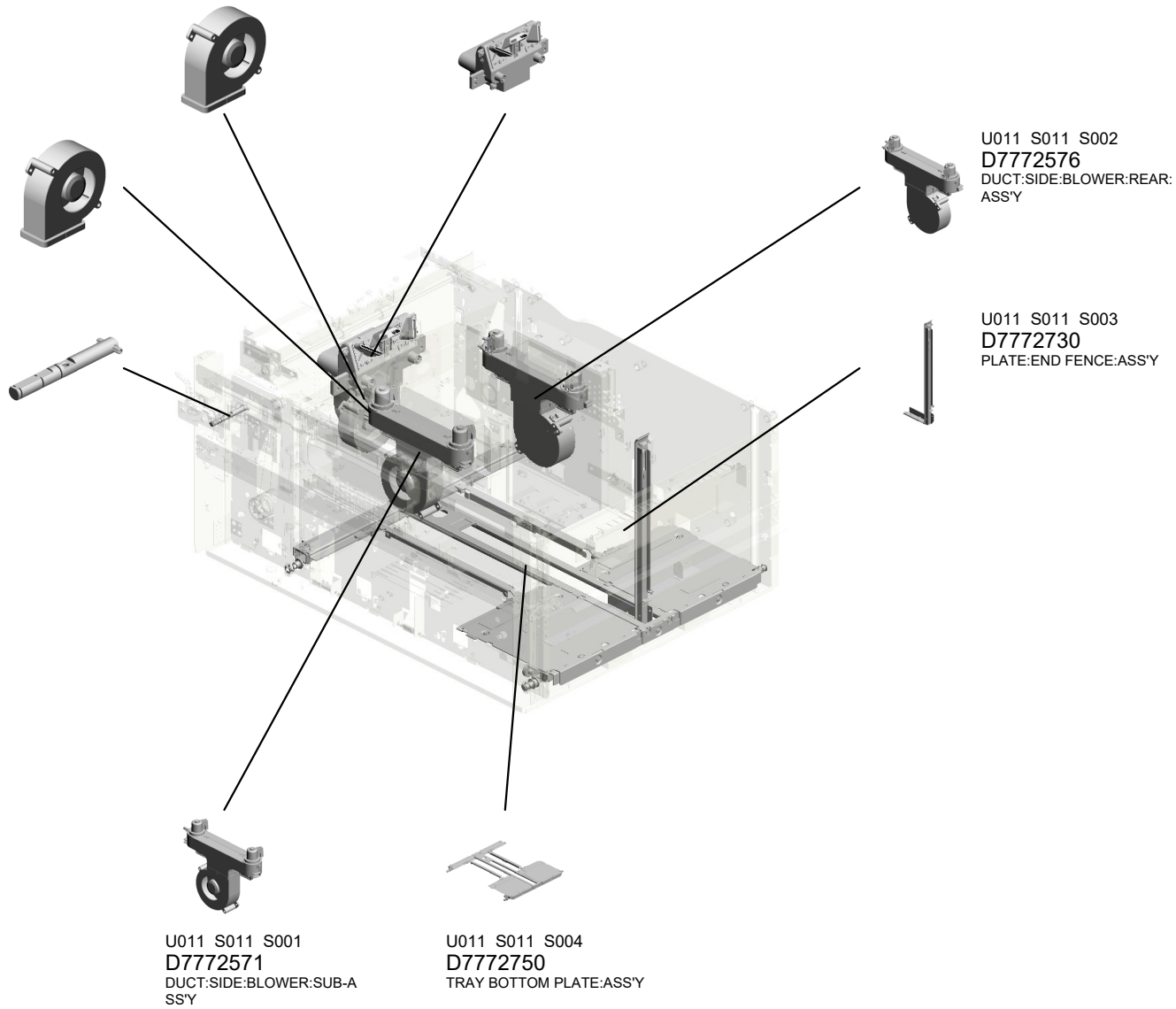
U011 S011 S002
D7772576
DUCT:SIDE:BLOWER:REAR:
ASS'Y

U011 S011 S005
D7772825
SHAFT:MISFEED REMOVAL:
NO.3:ASS'Y

U011 S011 S003
D7772730
PLATE:END FENCE:ASS'Y

U011 S011 S001
D7772571
DUCT:SIDE:BLOWER:SUB-A
SS'Y

U011 S011 S004
D7772750
TRAY BOTTOM PLATE:ASS'Y



U001	U002	U003	U004	U005	U006	U007	U008	U009	U010	U011	U012	U013	U014	U015	U016	U017
------	------	------	------	------	------	------	------	------	------	------	------	------	------	------	------	------

U011_S011_S001.DUCT:SIDE:BLOWER:SUB-ASS'Y

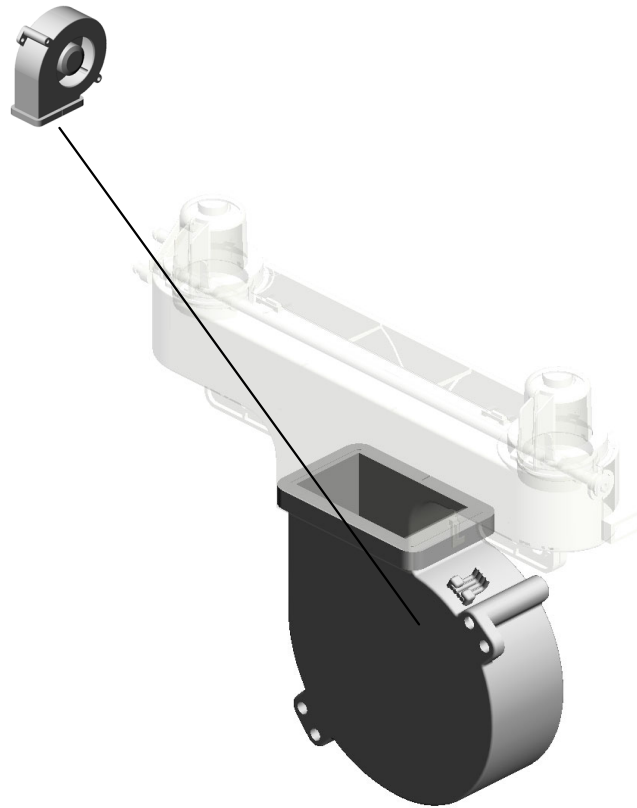
U011 S011 S001 S001
D7771170
BLOWER:SEAL



U001	U002	U003	U004	U005	U006	U007	U008	U009	U010	U011	U012	U013	U014	U015	U016	U017
------	------	------	------	------	------	------	------	------	------	------	------	------	------	------	------	------

U011_S011_S002.DUCT:SIDE:BLOWER:REAR:ASS'Y

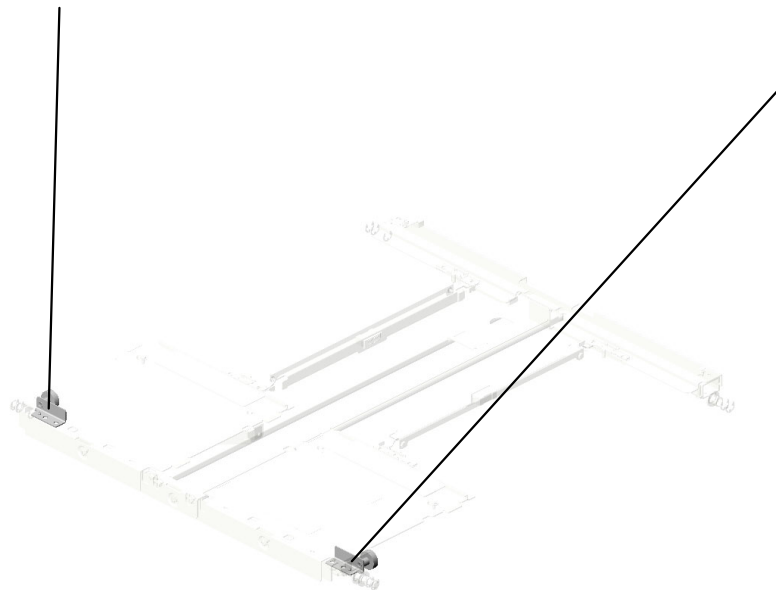
U011 S011 S002 S001
D7771170
BLOWER:SEAL



U001	U002	U003	U004	U005	U006	U007	U008	U009	U010	U011	U012	U013	U014	U015	U016	U017
------	------	------	------	------	------	------	------	------	------	------	------	------	------	------	------	------

U011_S011_S004.TRAY BOTTOM PLATE:ASS'Y

U011 S011 S004 S002
D7772746
ROLLER:TRAY BOTTOM PLA
TE:FRONT RIGHT:SUB-ASS'
Y



U011 S011 S004 S001
D7772745
ROLLER:TRAY BOTTOM PLA
TE:REAR RIGHT:SUB-ASS'Y

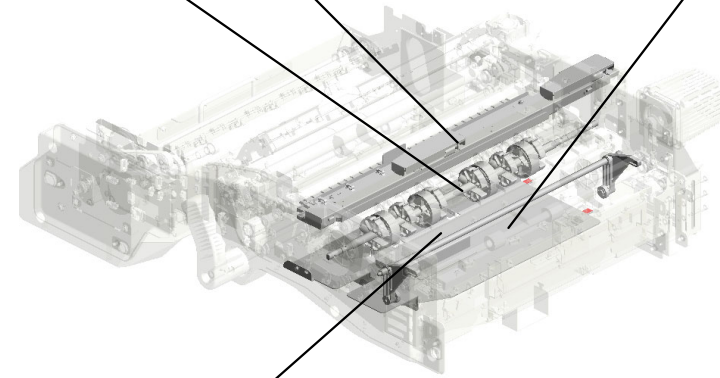
U001	U002	U003	U004	U005	U006	U007	U008	U009	U010	U011	U012	U013	U014	U015	U016	U017
------	------	------	------	------	------	------	------	------	------	------	------	------	------	------	------	------

U011_S013.TRANSPORT UNIT:REGISTRATION:PULL OUT:ASS'Y

U011 S013 S003
M2057309
CONTACT IMAGE SENSOR:A
SS'Y

U011 S013 S002
M2057305
REGISTRATION ROLLER:GA
TE:ASS'Y

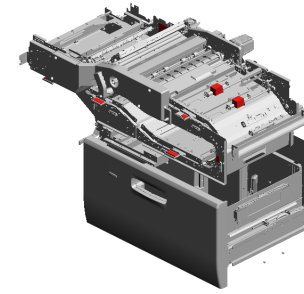
U011 S013 S001
D2702771
ARM:REGISTRATION:TIMING
:ASS'Y



U011 S013 S004
M2057379
COVER:REGISTRATION:LO
WER:ASS'Y

U001	U002	U003	U004	U005	U006	U007	U008	U009	U010	U011	U012	U013	U014	U015	U016	U017
------	------	------	------	------	------	------	------	------	------	------	------	------	------	------	------	------

U011 PAPER TRANSPORT:RIGHT



- 34.04544008N (x7) TAPPING SCREW: ROUND POINT:4X8
- 32.04544006N TAPPING SCREW: ROUND POINT:4X6
- 21.04513006N (x12) TAPPING SCREW - 3X6
- 8.03540400N (x4) SCREW:M4X40
- 42.07200030E RETAINING RING - M3

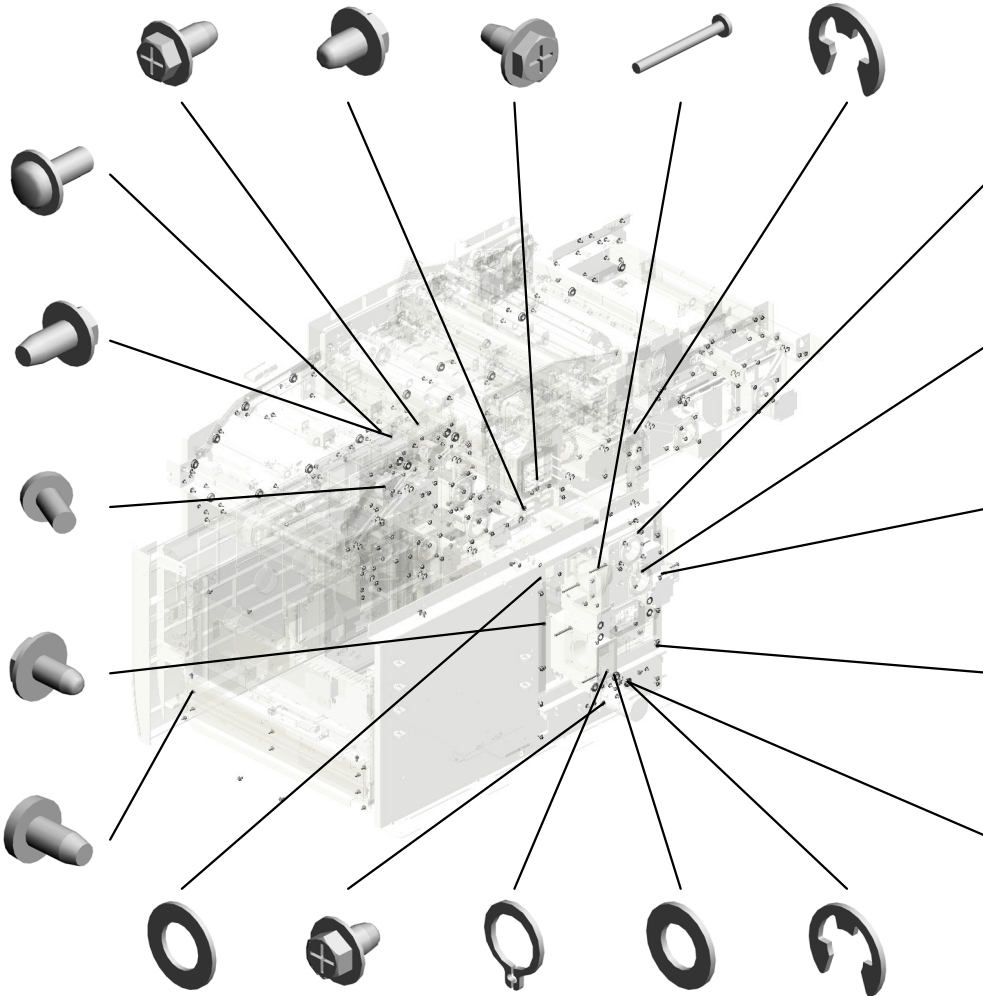
62.09514010N
(x6)
SCREW:POLISHED
ROUND:M4X10

25.04514008N
(x120)
TAPPING SCREW:
4X8

5.03530060N
(x4)
BIND SCREW - M3
X6

29.04543006Q
(x33)
TAPPING SCREW -
M3X6

27.04534006N
(x6)
BINDING SELF TAP
PING SCREW:4X6



- 38.07080040N (x2) WASHER - DIA4
- 33.04544006Q (x3) TAPPING SCREW: 4X6
- 47.07270080E RETAINING RING - M8
- 39.07080080N (x5) WASHER-DIA8
- 44.07200060E (x52) RETAINING RING - M6

14.03604008N
(x26)
SCREW - M4X8

28.04543006N
(x6)
TAPPING SCREW:
ROUND POINT:3X6

31.04543020Q
(x4)
TAPPING SCREW::
3X20

35.04544008Q
(x48)
TAPPING SCREW -
M4X8

57.07433808
(x23)
RADIAL BALL BEA
RING:DIA8XDIA16X
5

71.11050511
HARNES CLAMP -
LWS-0306ZC

72.11050516
CLAMP

73.11050600
CLAMP:LWSM-030
6-2M

74.11050692
CLAMP:LES-0503

76.11050724
CLAMPS:WES-121
0

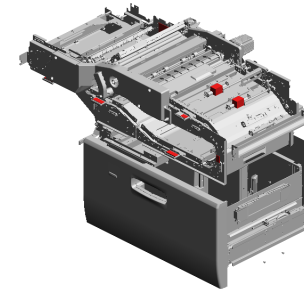
78.11050758
(x7)
CLAMP:LWSM-030
6A

176.C2442451
(x2)
SCREW:TRANSFE
R/SEPARATION

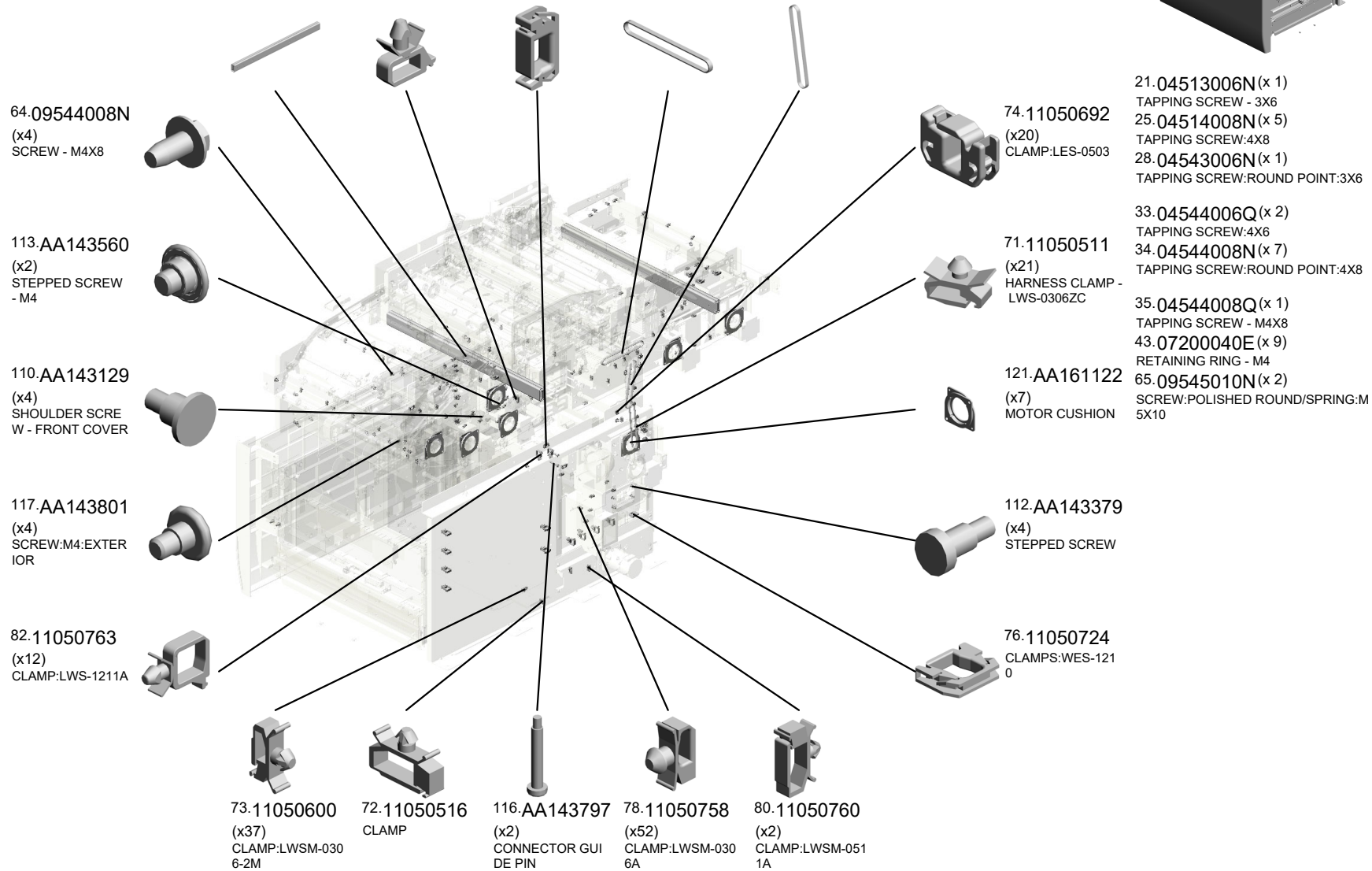
243.D4543619
(x2)
SCREW:CONTACT
POINT:M3

U001	U002	U003	U004	U005	U006	U007	U008	U009	U010	U011	U012	U013	U014	U015	U016	U017
------	------	------	------	------	------	------	------	------	------	------	------	------	------	------	------	------

U011 PAPER TRANSPORT:RIGHT

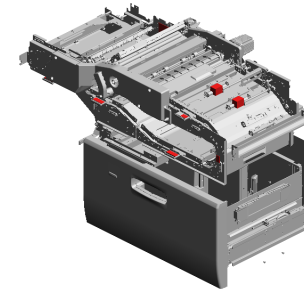


- 103.AA070067 (x2) SLIDE RAIL:PULL OUT:RIGHT
- 81.11050761 (x10) CLAMP:LWS-0511A
- 75.11050723 (x3) CLAMPS:WES-0507
- 95.AA043650 TIMING BELT - B60 S2M290
- 96.AA043651 (x2) TIMING BELT - B60 S2M264



U001	U002	U003	U004	U005	U006	U007	U008	U009	U010	U011	U012	U013	U014	U015	U016	U017
------	------	------	------	------	------	------	------	------	------	------	------	------	------	------	------	------

U011 PAPER TRANSPORT:RIGHT



- 230.D1792948 (x4) CAM:TRANSPORT ROLLER:ON-OFF
- 195.D0744612 (x2) TRANSPORT ROLLER:DRIVE:REVERSE:PRESS FIT
- 228.D1792943 (x2) BRACKET:CAM:ON-OFF
- 229.D1792944 (x2) DISC:ON-OFF:SENSOR
- 162.B7125605 GRIP:APPLICATION

140.AX040280
(x2)
STEPPER MOTOR:
DRIVE

163.B8341645
TIMING BELT - B60
S2M220

166.B8343443
(x4)
STOPPER HOLDER

184.D0464655
TIMING BELT:S2M1
80

161.B6523135
(x4)
TIMING BELT:B60S
2M172

170.B8511122
(x6)
SCREW:ROUND PHOTOINTERRUPTOR:M4X7

134.AW020198
(x3)
PHOTOINTERRUPTOR:LG2A14NL1

155.B2346141
(x2)
POSITIONING SLIDEVE - INNER BACK

168.B8344388
COMPRESSION SPRING

142.AX060455
DC STEPPER MOTOR:RISE

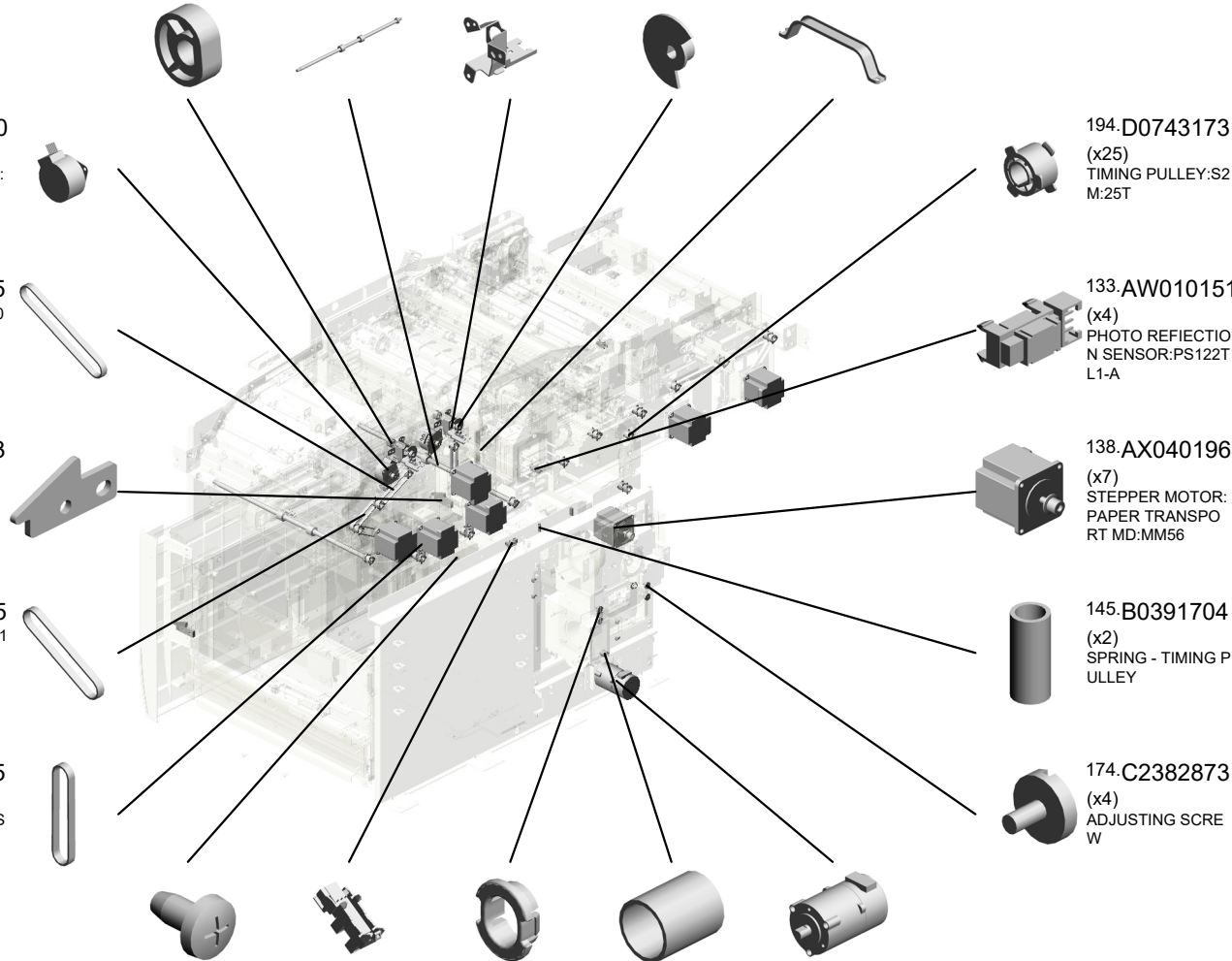
194.D0743173
(x25)
TIMING PULLEY:S2M:25T

133.AW010151
(x4)
PHOTO REFLECTIVE SENSOR:PS122T L1-A

138.AX040196
(x7)
STEPPER MOTOR:
PAPER TRANSPORT MD:MM56

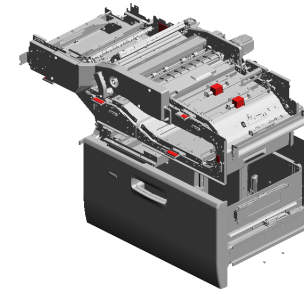
145.B0391704
(x2)
SPRING - TIMING PULLEY

174.C2382873
(x4)
ADJUSTING SCREW



U001	U002	U003	U004	U005	U006	U007	U008	U009	U010	U011	U012	U013	U014	U015	U016	U017
------	------	------	------	------	------	------	------	------	------	------	------	------	------	------	------	------

U011 PAPER TRANSPORT:RIGHT



- 235.D2023890 (x7) LED:RED
- 242.D4521094 TENSION SPRING: LOCK:TRAY
- 266.D7771094 PLATE:TRAY:LOCK
- 265.D7771093 STOPPER:TRAY:LOCK
- 233.D1944804 (x11) RUBBER FOOT:TM-96-1

413.G1784852
RUBBER FOOT:7086082

341.D7772782
(x2)
PAWL:TRAY BOT TOM PLATE:AUXILIARY:LARGE
201508-04

231.D1792952
(x2)
BRACKET:DC STEPPER MOTOR:DRIVEN:ON-OFF

263.D7771082
SLIDE RAIL:LEFT:ASSY

264.D7771092
SLIDE RAIL:RIGHT:ASSY

262.D7771047
BRACKET:SLIDE RAIL

274.D7771181
GEAR:RISE:DRIVE

277.D7771191
CLUTCH/BRAKE:TURN

253.D5321185
JOINT:MOTOR:RISE

275.D7771187
SHAFT:RISE:DRIVE

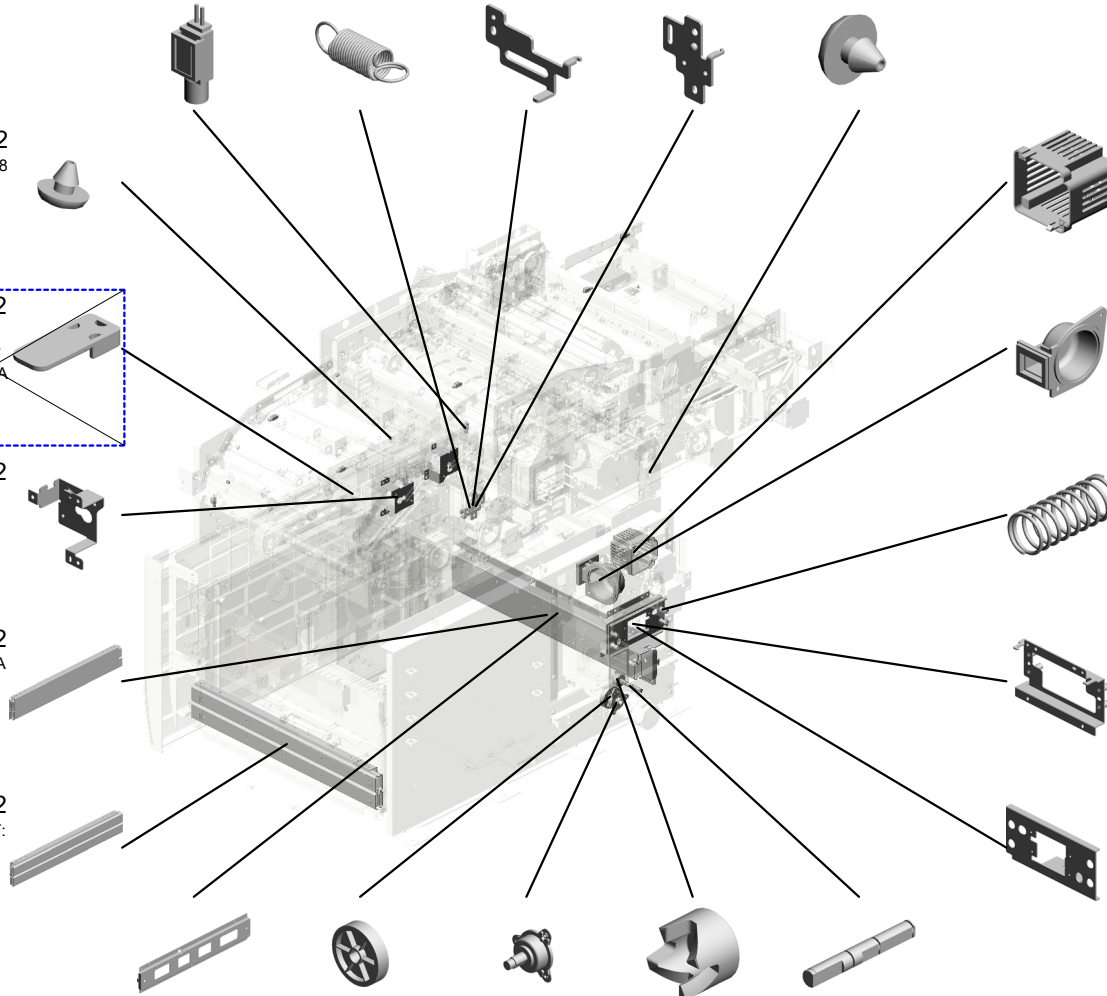
414.G1784900
COVER:DC STEPPER MOTOR:MM56

269.D7771161
DUCT:UPPER:VACUUM:ASSY

404.G0205835
(x4)
RELEASE SPRING - FUSING DRIVE

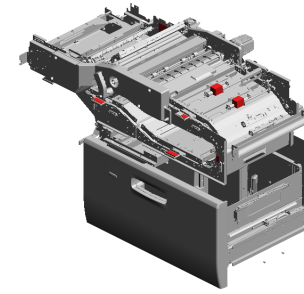
273.D7771179
BRACKET:DRAWER:CORE

272.D7771178
BRACKET:DRAWER:TRAY:CORE:TENSION



U001	U002	U003	U004	U005	U006	U007	U008	U009	U010	U011	U012	U013	U014	U015	U016	U017
------	------	------	------	------	------	------	------	------	------	------	------	------	------	------	------	------

U011 PAPER TRANSPORT:RIGHT



- 447.M2052471 419.G1787670 485.M2057128 444.M2052455 459.M2052556
- HOLDER:BELT UNIT:FRONT (x6) WASHER:455554
- SHAFT:REGISTRATION:ON-OFF:CAM (x2)
- HOLDER:LOCK:TRAY
- COIL SPRING:GUIDE PLATE:VERTICAL TRANSPORT:FRONT

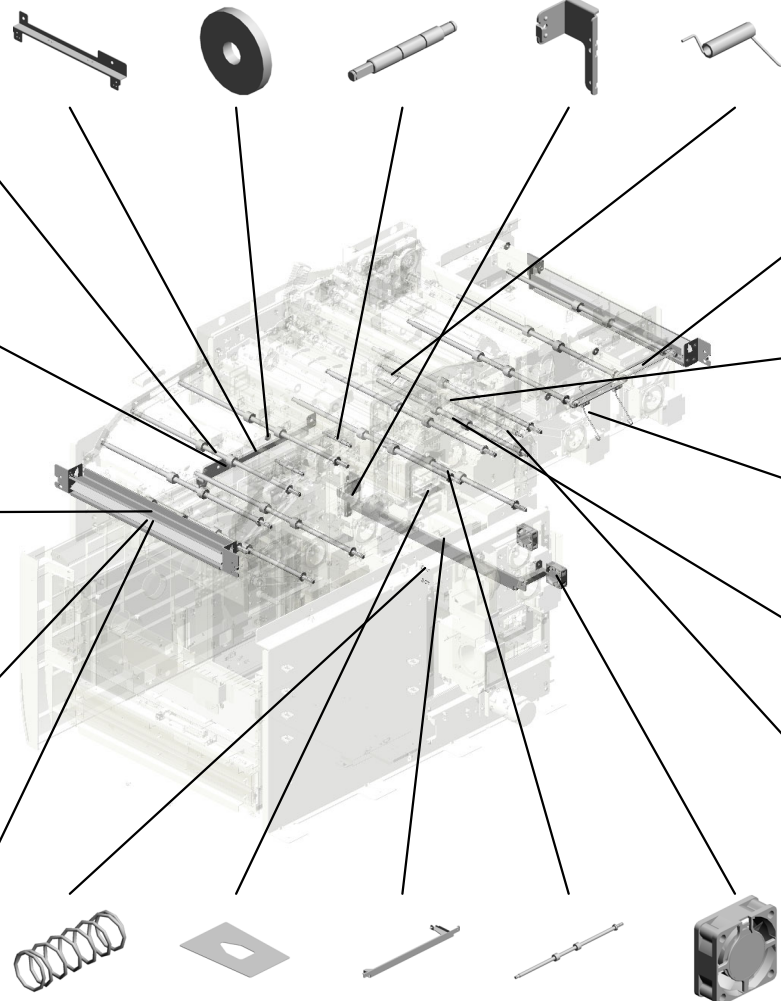
- 494.M2057304
- (x12)
- TRANSPORT ROLLER:DRIVE:PAPER TRANSPORT MD

- 445.M2052467
- (x2)
- SPRING PLATE:HOLDER:BELT UNIT:FRONT

- 421.G1787785
- (x2)
- GUIDE:ENTRANCE:LEFT:UPPER

- 420.G1787784
- (x2)
- BRACKET:GUIDE:PAPER FEED

- 422.G1787786
- (x2)
- GUIDE:ENTRANCE:UPPER:LOWER



- 430.H3061372
- (x2)
- FRONT TIMING BELT

- 461.M2052558
- SHAFT:CONTACT POINT:GUIDE PLATE:VERTICAL TRANSPORT

- 486.M2057146
- (x2)
- COIL SPRING:GUIDE PLATE:OPEN AND CLOSE:AUXILIARY:STANDARD

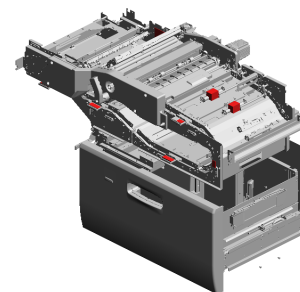
- 452.M2052501
- TRANSPORT ROLLER:VERTICAL TRANSPORT:NO.1

- 460.M2052557
- COIL SPRING:GUIDE PLATE:VERTICAL TRANSPORT:REAR

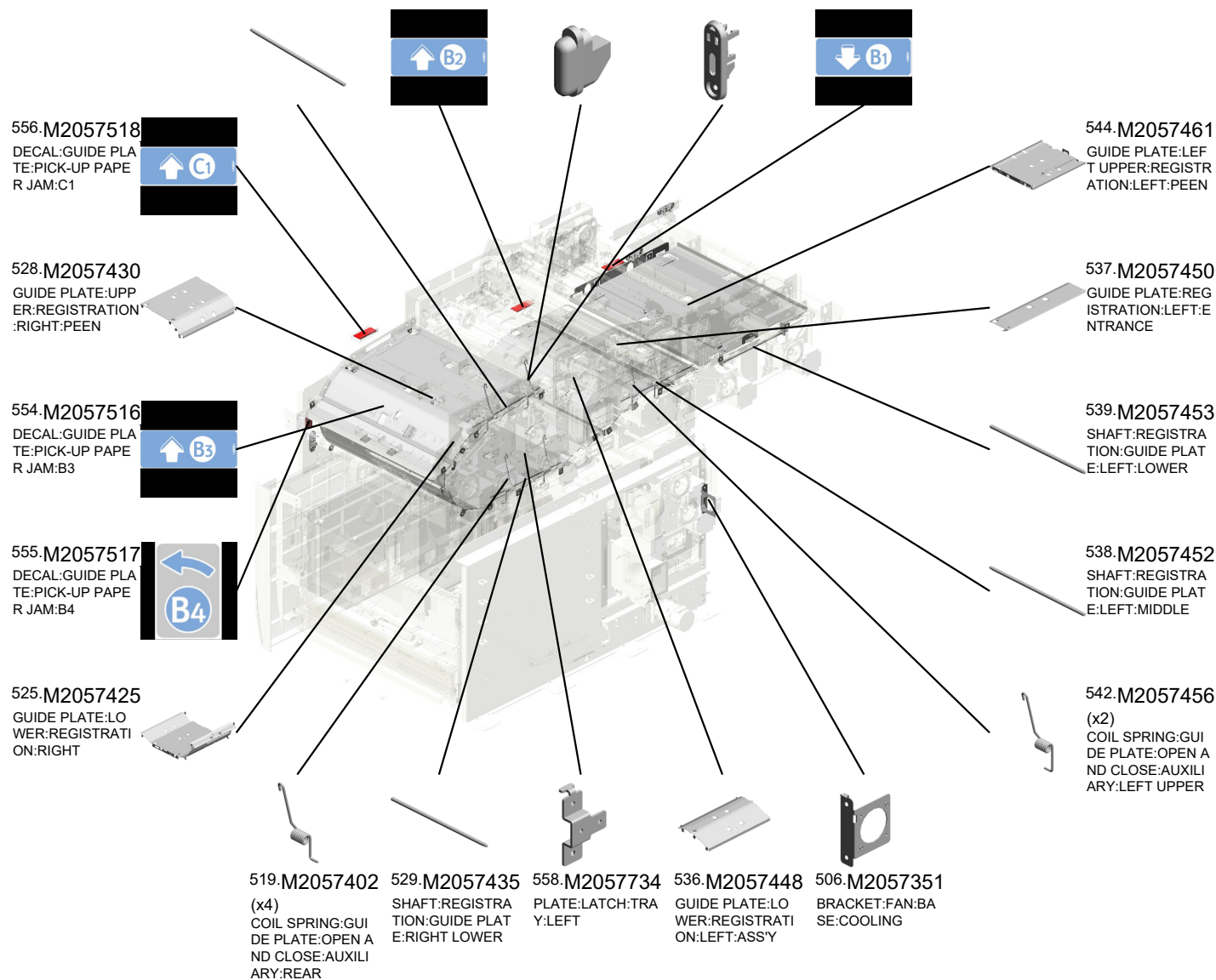
- 426.GA063082 443.M2052416 454.M2052505 453.M2052503 428.GX640028
- (x2) SHEET:VERTICAL TRANSPORT:GUIDE PLATE
- COMPRESSION SPRING:PRESSURE:END FENCE
- PLATE:GUIDE:VERTICAL TRANSPORT
- TRANSPORT ROLLER:VERTICAL TRANSPORT:NO.2
- (x2) FAN MOTOR DC24V 1.92W

U001	U002	U003	U004	U005	U006	U007	U008	U009	U010	U011	U012	U013	U014	U015	U016	U017
------	------	------	------	------	------	------	------	------	------	------	------	------	------	------	------	------

U011 PAPER TRANSPORT:RIGHT



- 526.M2057427 SHAFT:REGISTRATION:GUIDE PLATE:RIGHT UPPER
- 553.M2057515 DECAL:GUIDE PLATE:PICK-UP PAPER JAM:B2
- 550.M2057492 (x7) LED:LENS:PAPER JAM
- 551.M2057495 (x7) LED HOLDER:PAPER JAM:TRANSPORT SUB-UNIT
- 552.M2057514 DECAL:GUIDE PLATE:PICK-UP PAPER JAM:B1

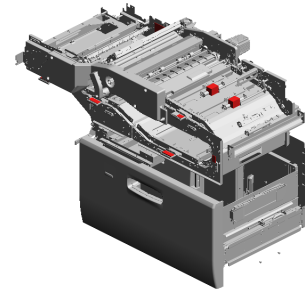


U001	U002	U003	U004	U005	U006	U007	U008	U009	U010	U011	U012	U013	U014	U015	U016	U017
------	------	------	------	------	------	------	------	------	------	------	------	------	------	------	------	------

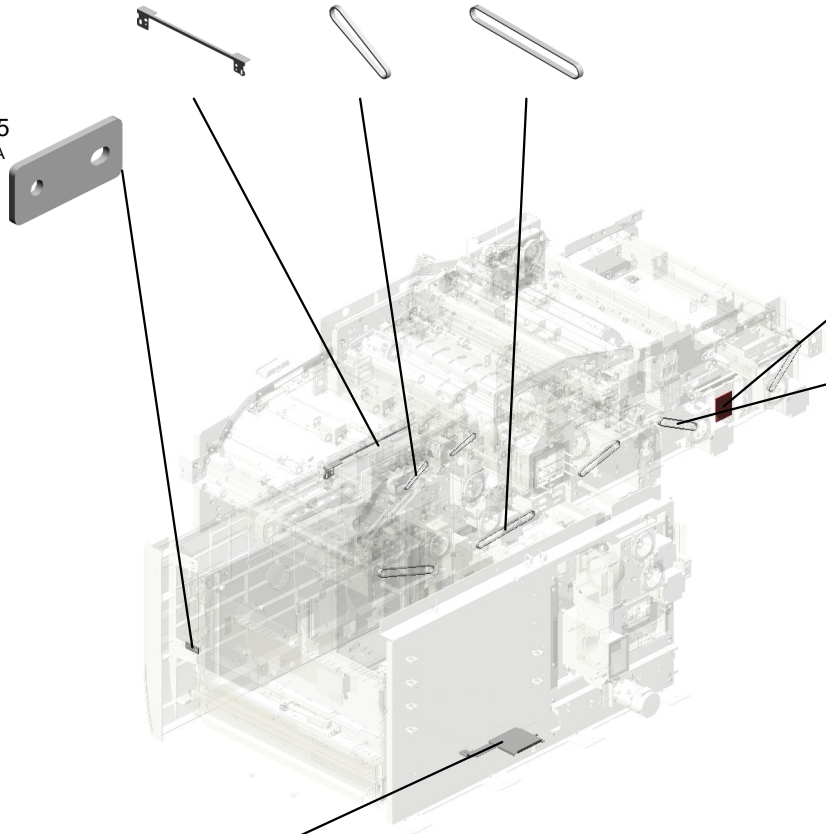
U011 PAPER TRANSPORT:RIGHT

618.M0EDG468 614.07922074C 622.07924158C

BRACKET:BELT U (x2) (x2)
 NIT:FRONT SYNCHRONOUS B SYNCHRONOUS B
 202208-09 O/O ELT:40S2M148:CR ELT:60S2M316:CR
 202108-01 O/O 202309-02 O/O



559.M2057735
 PLATE:LATCH:TRAY:RIGHT



608.M0B19013
 DECAL:H-TEMP WARNING:REGISTRATION:LEFT
 202009-01 X/O



613.GA043046
 (x3)
 SYNCHRONOUS B
 ELT:60S2M234
 202106-02 O/O



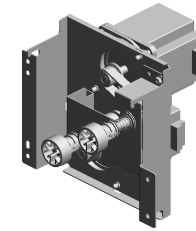
595.M0B12410
 BRACKET:GUARD:HEATER
 201807-03 X/X



U001	U002	U003	U004	U005	U006	U007	U008	U009	U010	U011	U012	U013	U014	U015	U016	U017
------	------	------	------	------	------	------	------	------	------	------	------	------	------	------	------	------

U011_S001
DRIVE UNIT:PAPER FEED:ASS'Y

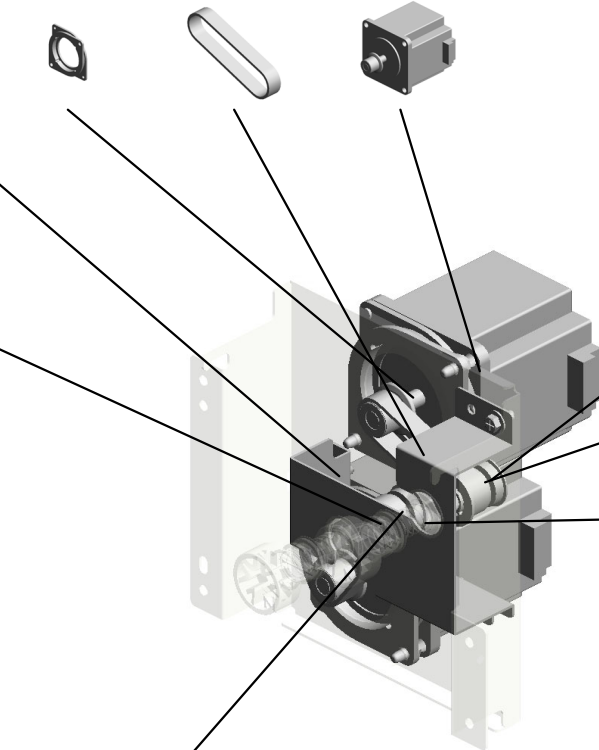
121.AA161122 (x2) MOTOR CUSHION
 268.D7771159 (x2) TIMING BELT:80S2 M134
 139.AX040276 (x2) STEPPER MOTOR: MM56:TRANSPORT



267.D7771168
 [A]
 DRIVE UNIT:PAPE
 R FEED:ASS'Y
 201507-01 X/O

34.04544008N
 (x7)
 TAPPING SCREW:
 ROUND POINT:4X8

401.D7773126
 (x2)
 TIMING PULLEY:D
 RIVE:T25S2M



44.07200060E
 (x4)
 RETAINING RING -
 M6

57.07433808
 (x2)
 RADIAL BALL BEA
 RING:DIA8XDIA16X
 5

1.03140080N
 (x4)
 PHILIPS PAN HEA
 D SCREW - M4X8

612.D7771158
 BRACKET:TRANSP
 ORT:DRIVE:PLATE

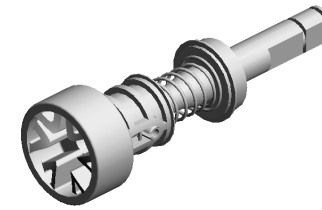
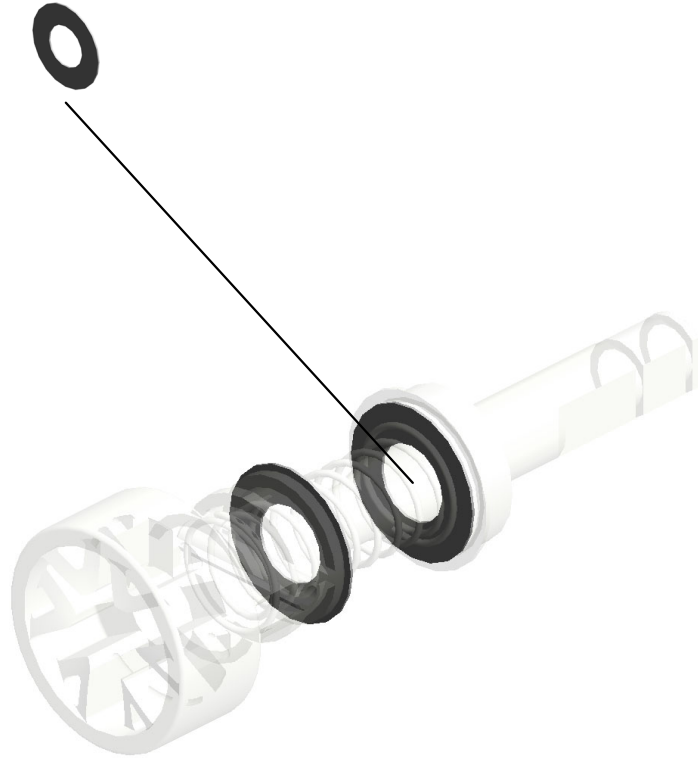


D7771155
 [A]
 DRIVE UNIT:PAPE
 R FEED:ASS'Y
 201507-01 X/O

U001	U002	U003	U004	U005	U006	U007	U008	U009	U010	U011	U012	U013	U014	U015	U016	U017
------	------	------	------	------	------	------	------	------	------	------	------	------	------	------	------	------

U011_S001_S001
SHAFT:PAPER FEED:DRIVE:ASS'Y

146.B1253230
(x2)
SPACER - 0.3



278.D7771197
[A]
SHAFT:PAPER FEE
D:DRIVE:ASS'Y
201509-02 X/O

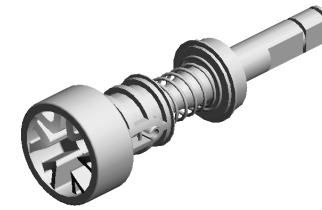
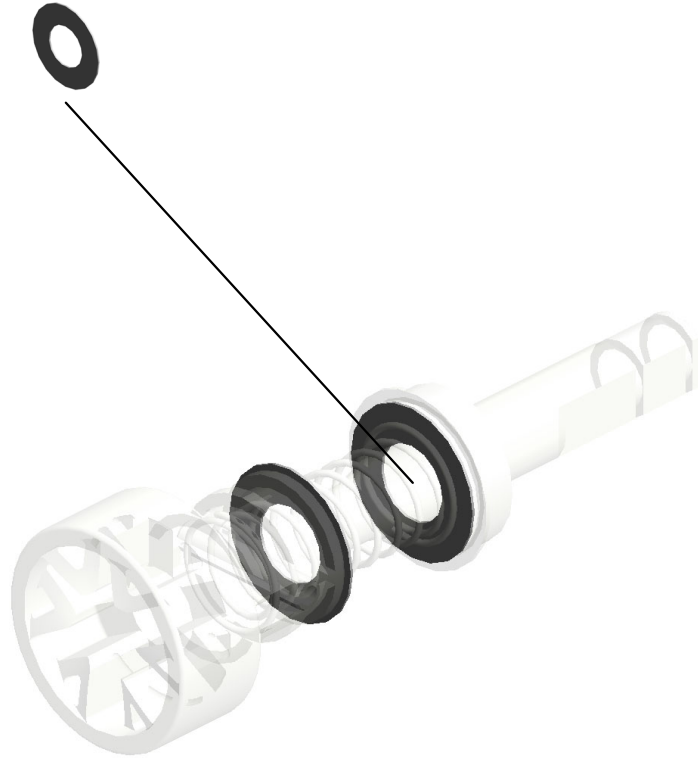


D7771196
[A]
SHAFT:PAPER FEE
D:DRIVE:ASS'Y
201509-02 X/O

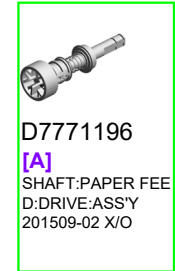
U001	U002	U003	U004	U005	U006	U007	U008	U009	U010	U011	U012	U013	U014	U015	U016	U017
------	------	------	------	------	------	------	------	------	------	------	------	------	------	------	------	------

U011_S001_S002
SHAFT:PAPER FEED:DRIVE:ASS'Y

146.B1253230
(x2)
SPACER - 0.3



278.D7771197
[A]
SHAFT:PAPER FEE
D:DRIVE:ASS'Y
201509-02 X/O

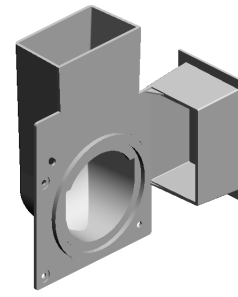


D7771196
[A]
SHAFT:PAPER FEE
D:DRIVE:ASS'Y
201509-02 X/O

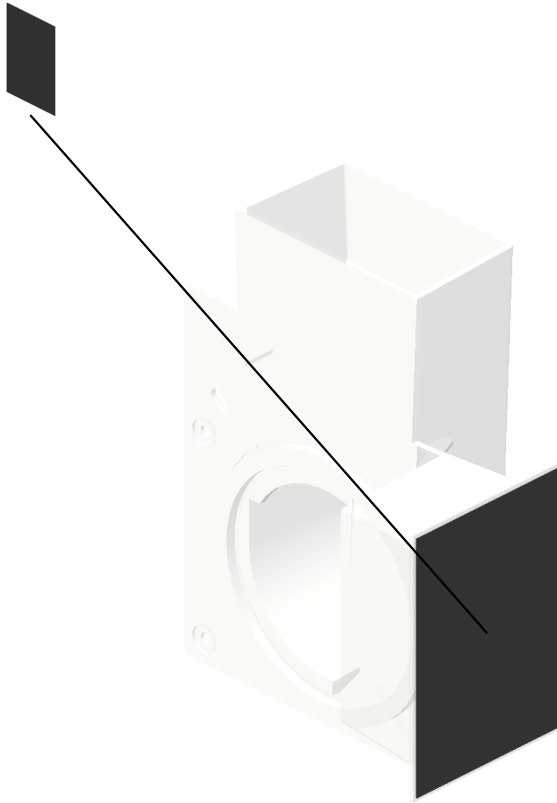
U001	U002	U003	U004	U005	U006	U007	U008	U009	U010	U011	U012	U013	U014	U015	U016	U017
------	------	------	------	------	------	------	------	------	------	------	------	------	------	------	------	------

U011_S002
DUCT:LOWER:VACUUM:ASS'Y

567.D7771172
FILTER:VACUUM:EXHAUST



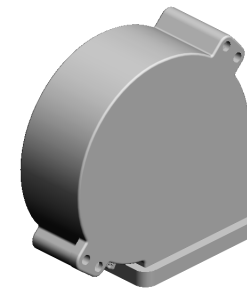
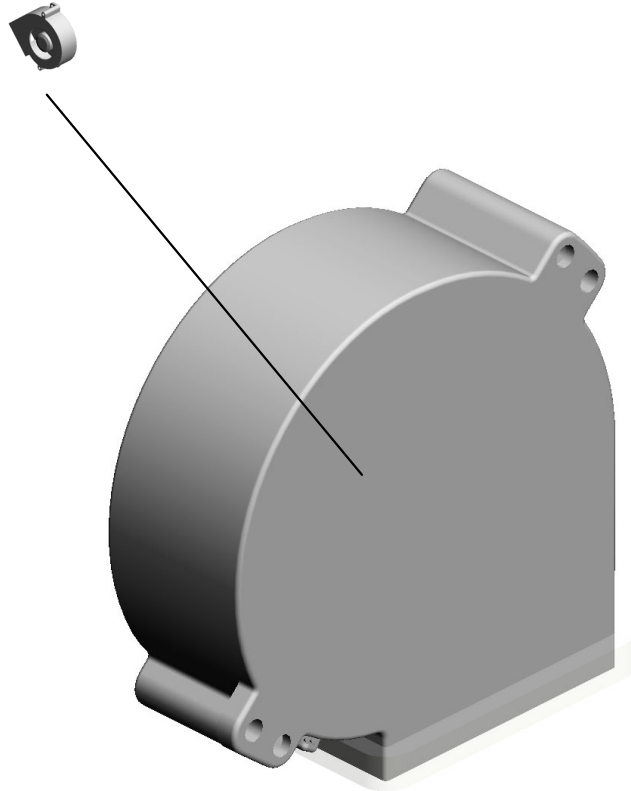
270.D7771166
DUCT:LOWER:VACUUM:ASS'Y



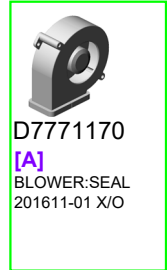
U001	U002	U003	U004	U005	U006	U007	U008	U009	U010	U011	U012	U013	U014	U015	U016	U017
------	------	------	------	------	------	------	------	------	------	------	------	------	------	------	------	------

U011_S003
BLOWER:SEAL:ADHESION

144.AX660017
FAN:BLOWER:DC2
4V
201606-04 X/O



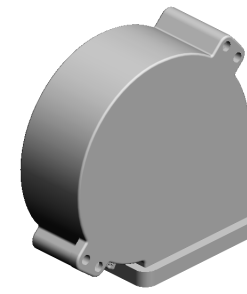
271.D7771194
[A]
BLOWER:SEAL:AD
HESION
201611-01 X/O



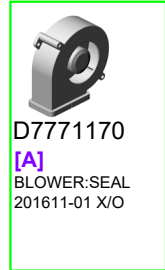
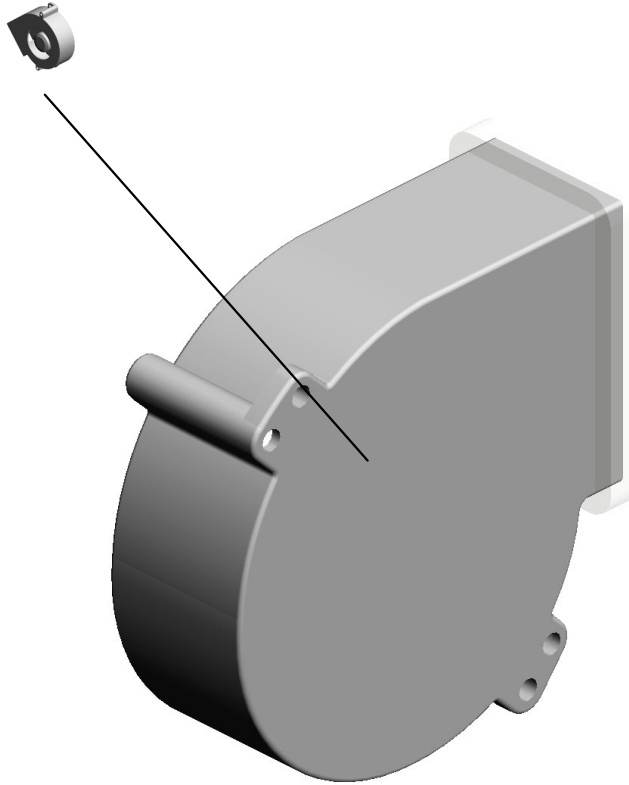
U001	U002	U003	U004	U005	U006	U007	U008	U009	U010	U011	U012	U013	U014	U015	U016	U017
------	------	------	------	------	------	------	------	------	------	------	------	------	------	------	------	------

U011_S004
BLOWER:SEAL:ADHESION

144.AX660017
FAN:BLOWER:DC2
4V
201606-04 X/O



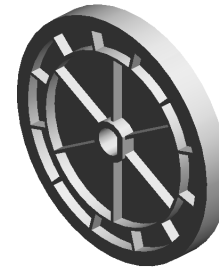
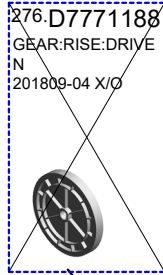
271.D7771194
[A]
BLOWER:SEAL:AD
HESION
201611-01 X/O



D7771170
[A]
BLOWER:SEAL
201611-01 X/O

U001	U002	U003	U004	U005	U006	U007	U008	U009	U010	U011	U012	U013	U014	U015	U016	U017
------	------	------	------	------	------	------	------	------	------	------	------	------	------	------	------	------

U011_S005
GEAR:RISE:DRIVEN:ASS'Y

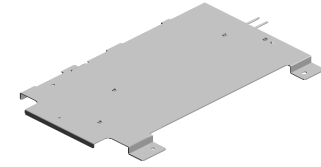
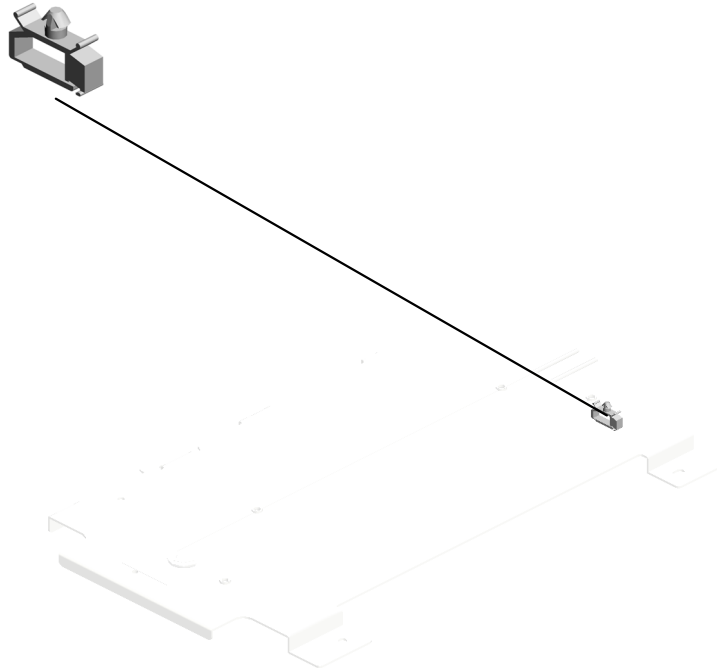


599.D7773009
GEAR:RISE:DRIVE
N:ASS'Y

U001	U002	U003	U004	U005	U006	U007	U008	U009	U010	U011	U012	U013	U014	U015	U016	U017
------	------	------	------	------	------	------	------	------	------	------	------	------	------	------	------	------

U011_S006
HEAT SINK:HEATER:LOWER:ASS'Y

72.11050516
CLAMP



583.M2056191
[A]
HEAT SINK:HEATE
R:LOWER:ASS'Y
201707-02 O/O



B2346191
[A]
HEATER UNIT - LO
WER
201707-02 O/O

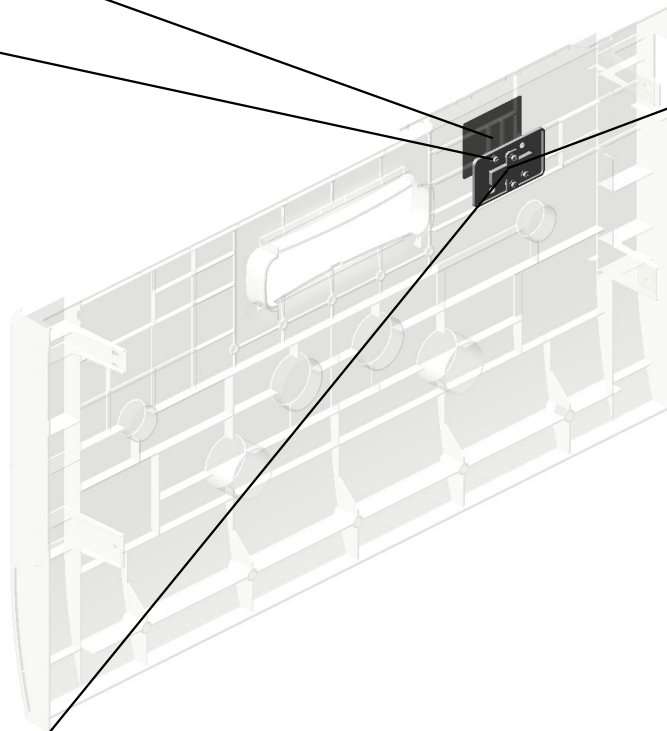
U001	U002	U003	U004	U005	U006	U007	U008	U009	U010	U011	U012	U013	U014	U015	U016	U017
------	------	------	------	------	------	------	------	------	------	------	------	------	------	------	------	------

U011_S007
COVER:PAPER TRAY:LOWER:ASS'Y

591.M2057598
DECAL:PAPER TR
AY:DESIGN SKETC
H:1
201803-06



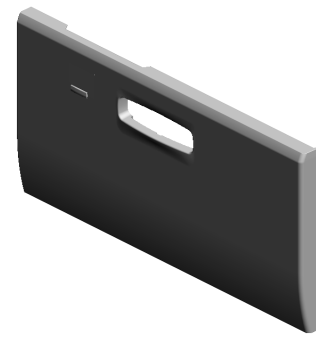
19.04504010N
(x4)
TAPPING SCREW:
M4X10



244.D5161261
COVER:LED



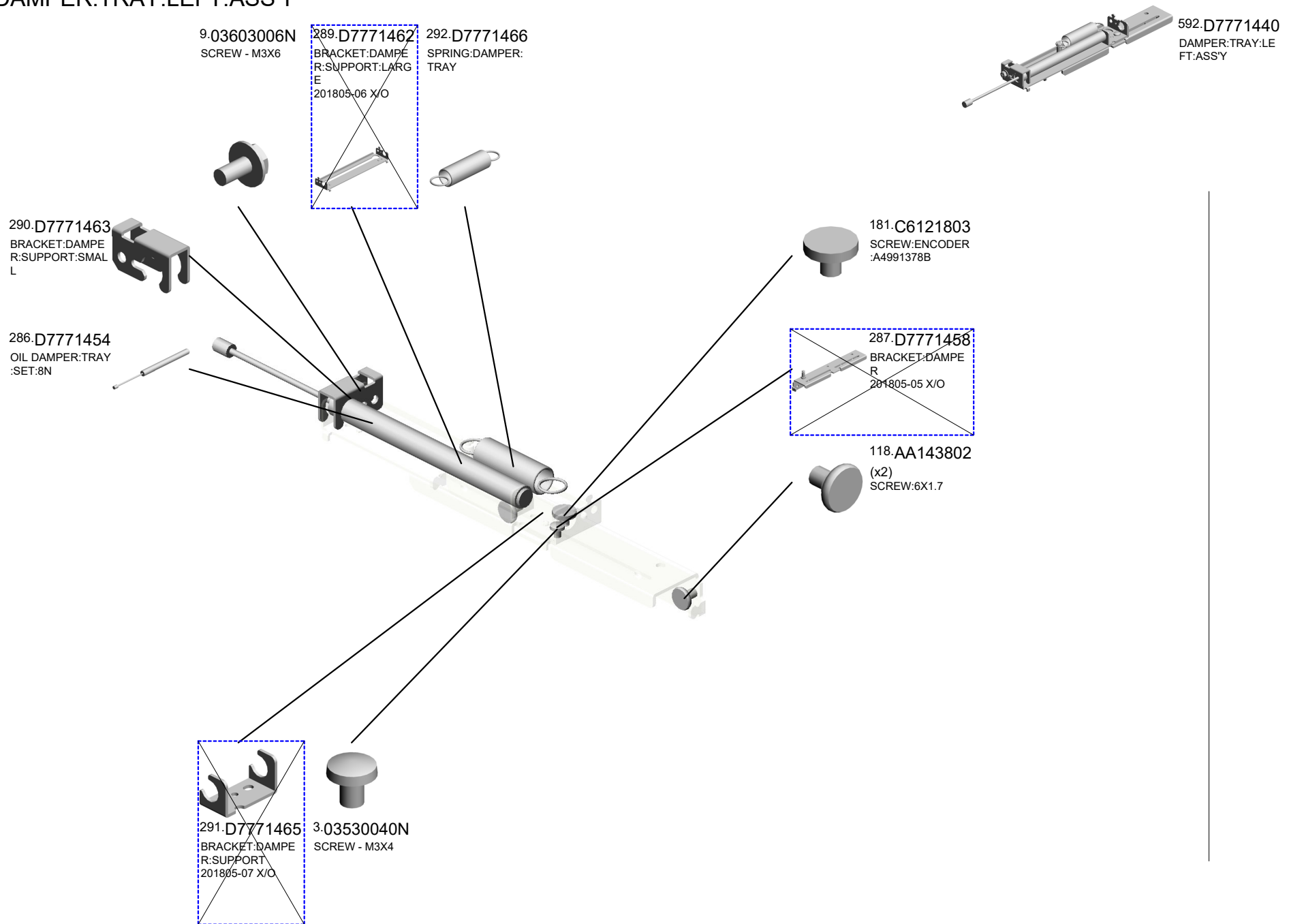
245.D5161453
DIFFUSION PLATE:
LED



279.D7771206
COVER:PAPER TR
AY:LOWER:ASSY

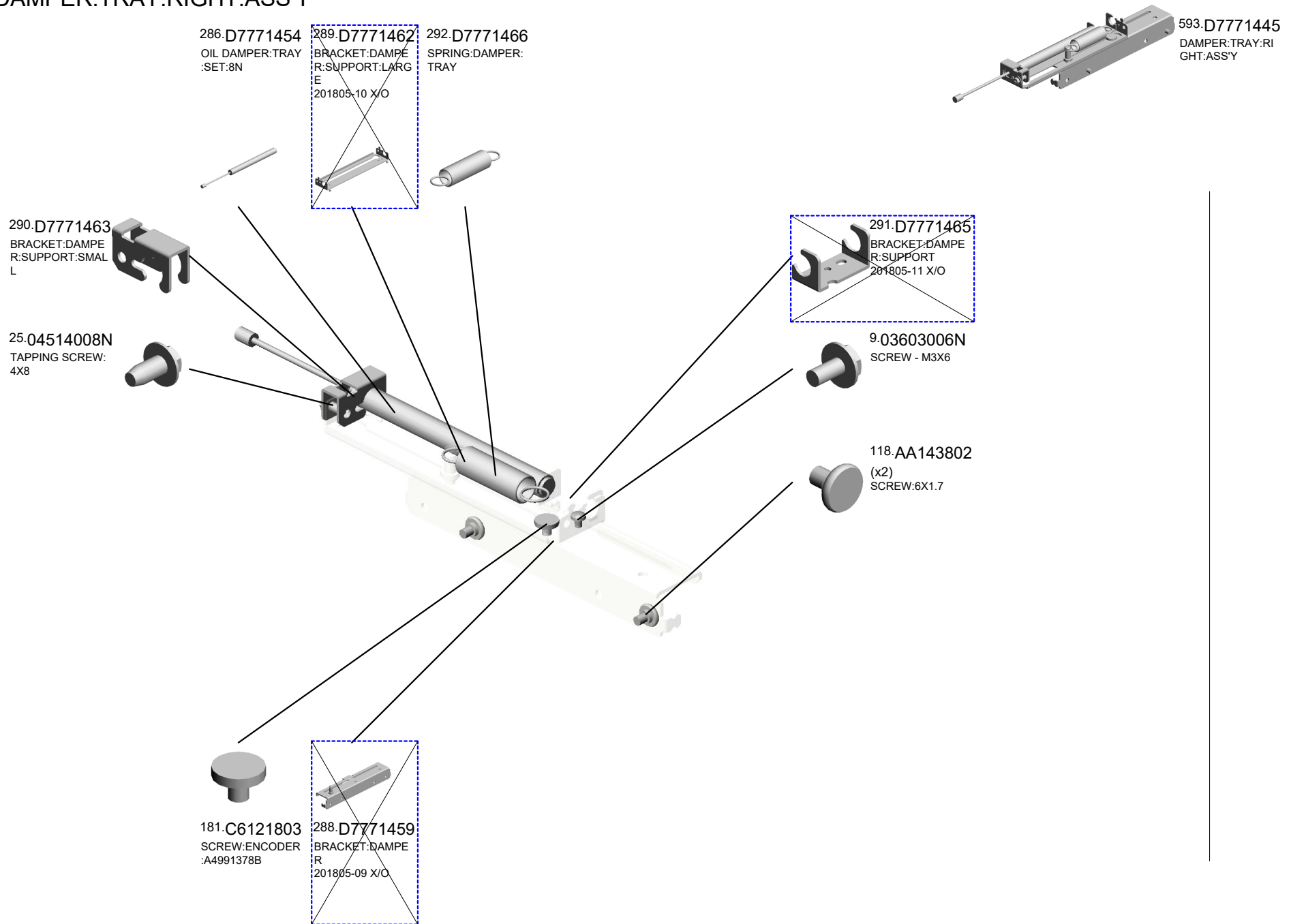
U001	U002	U003	U004	U005	U006	U007	U008	U009	U010	U011	U012	U013	U014	U015	U016	U017
------	------	------	------	------	------	------	------	------	------	------	------	------	------	------	------	------

U011_S008
 DAMPER:TRAY:LEFT:ASS'Y



U001	U002	U003	U004	U005	U006	U007	U008	U009	U010	U011	U012	U013	U014	U015	U016	U017
------	------	------	------	------	------	------	------	------	------	------	------	------	------	------	------	------

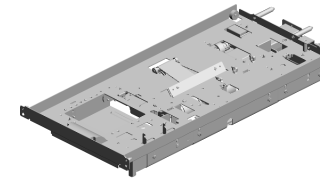
U011_S009
 DAMPER:TRAY:RIGHT:ASS'Y



U001	U002	U003	U004	U005	U006	U007	U008	U009	U010	U011	U012	U013	U014	U015	U016	U017
------	------	------	------	------	------	------	------	------	------	------	------	------	------	------	------	------

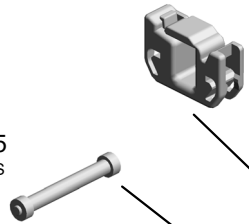
U011_S010 PAPER FEED UNIT:ASS'Y

- 74.11050692 CLAMP:LES-0503
- 79.11050759 (x3) CLAMP:LWSM-060 5A
- 44.07200060E (x2) RETAINING RING - M6
- 300.D7772551 (x2) DUCT:BELT UNIT
- 18.04504008N (x4) TAPPING SCREW - M4X8

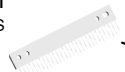


597.D7772509
[A]
PAPER FEED UNIT
:ASS'Y
201809-03 X/O

303.D7772565
SHAFT:BELT TENSIONER



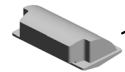
297.D7772521
DISCHARGE BRUSH:BELT UNIT



301.D7772554
(x3) PICKUP BELT: VACUUM:INSPECTION 201507-02 X/O



295.D7772508
GRIP:BELT UNIT



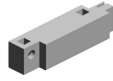
294.D7772527
COVER:FRONT 201505-02 X/O



6.03530100N
SCREW-M3X10



132.AW010143
PHOTO REFLECTIVE SENSOR:PSR11 TL1R-C



78.11050758
CLAMP:LWSM-030 6A



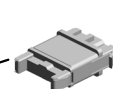
28.04543006N (x27)
TAPPING SCREW: ROUND POINT:3X6



75.11050723
CLAMPS:WES-050



201.D1492777
COIL SPRING:PRE TENSION: PICKUP

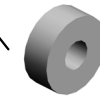


67.11029431
CONNECTOR:1-16 12256-2

43.07200040E (x 4)
RETAINING RING - M4



302.D7772561
BRACKET:DRAWER:CONNECTOR



89.67542866
(x2) ROLLER - POSITIONING GUIDE



115.AA143790
(x2) SCREW:CONTACT POINT

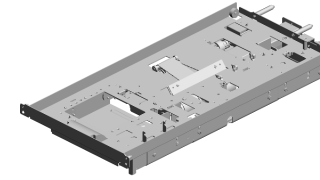
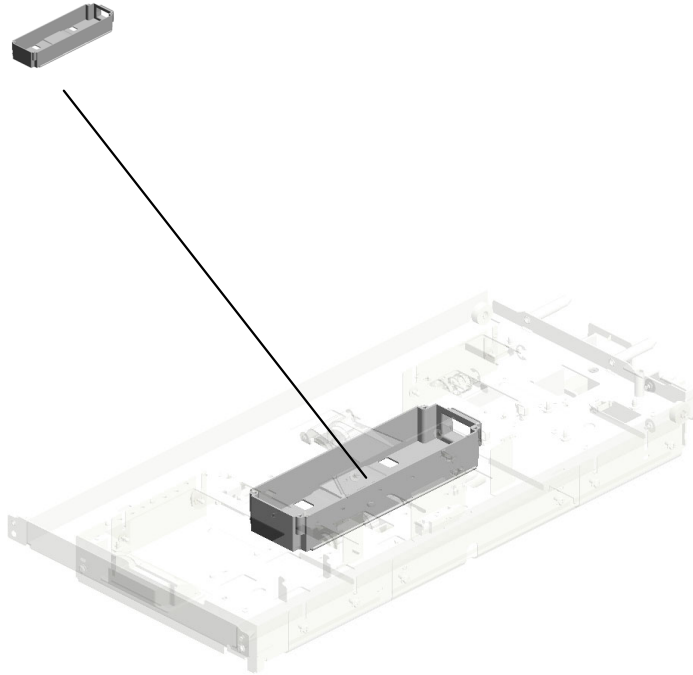


79.11050759
CLAMP:LWSM-060 5A

U001	U002	U003	U004	U005	U006	U007	U008	U009	U010	U011	U012	U013	U014	U015	U016	U017
------	------	------	------	------	------	------	------	------	------	------	------	------	------	------	------	------

U011_S010
PAPER FEED UNIT:ASS'Y

598.D7772546
CHAMBER:FLAT B
ELT-PICKUP:CONC
AVE:2MM



597.D7772509
[A]
PAPER FEED UNIT
:ASS'Y
201809-03 X/O

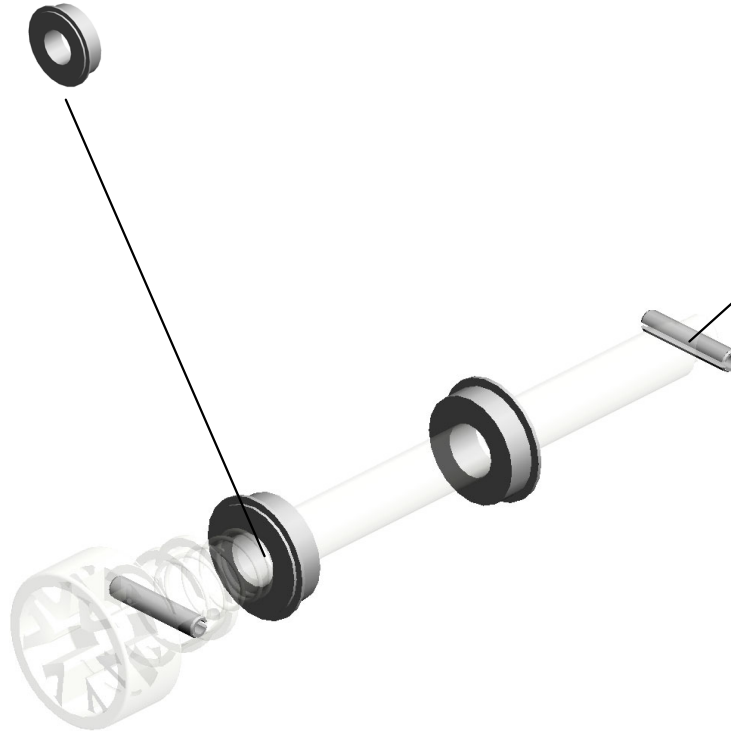


D7772500
[A]
PAPER FEED UNIT
:ASS'Y
201809-03 X/O

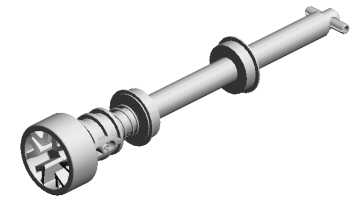
U001	U002	U003	U004	U005	U006	U007	U008	U009	U010	U011	U012	U013	U014	U015	U016	U017
------	------	------	------	------	------	------	------	------	------	------	------	------	------	------	------	------

U011_S010_S001
SHAFT:DRIVE:FLAT BELT-PICKUP:ASS'Y

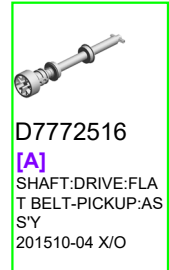
57.07433808
(x2)
RADIAL BALL BEA
RING:DIA8XDIA16X
5



562.06230160E
(x2)
SPRING PIN:3X16



296.D7772520
[A]
SHAFT:DRIVE:FLA
T BELT-PICKUP:AS
S'Y
201510-04 X/O



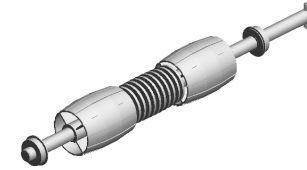
D7772516
[A]
SHAFT:DRIVE:FLA
T BELT-PICKUP:AS
S'Y
201510-04 X/O

U001	U002	U003	U004	U005	U006	U007	U008	U009	U010	U011	U012	U013	U014	U015	U016	U017
------	------	------	------	------	------	------	------	------	------	------	------	------	------	------	------	------

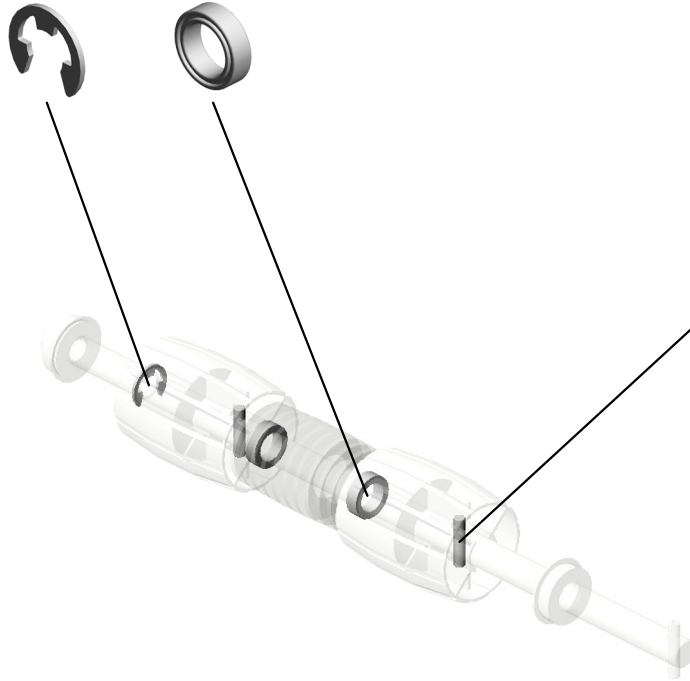
U011_S010_S002

PULLEY:FLAT BELT-PICKUP:DRIVE:ASS'Y

44.07200060E 51.07403708
RETAINING RING - M6 (x2)
BALL BEARING: DIA 8XDIA12X3.5



298.D7772531
PULLEY:FLAT BELT-PICKUP:DRIVE:ASS'Y



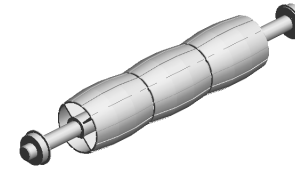
36.06330140G (x2)
PARALLEL PIN - 3X14
44.07200060E (x 2)
RETAINING RING - M6

U001	U002	U003	U004	U005	U006	U007	U008	U009	U010	U011	U012	U013	U014	U015	U016	U017
------	------	------	------	------	------	------	------	------	------	------	------	------	------	------	------	------

U011_S010_S003

PULLEY:FLAT BELT-PICKUP:DRIVEN:ASS'Y

44.07200060E
RETAINING RING -
M6



299.D7772536
PULLEY:FLAT BEL
T-PICKUP:DRIVEN:
ASS'Y



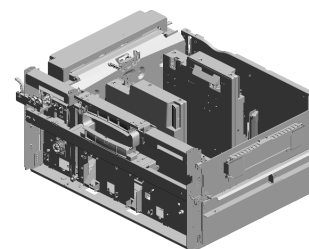
44.07200060E (x 2)
RETAINING RING - M6

36.06330140G
(x3)
PARALLEL PIN - 3X
14

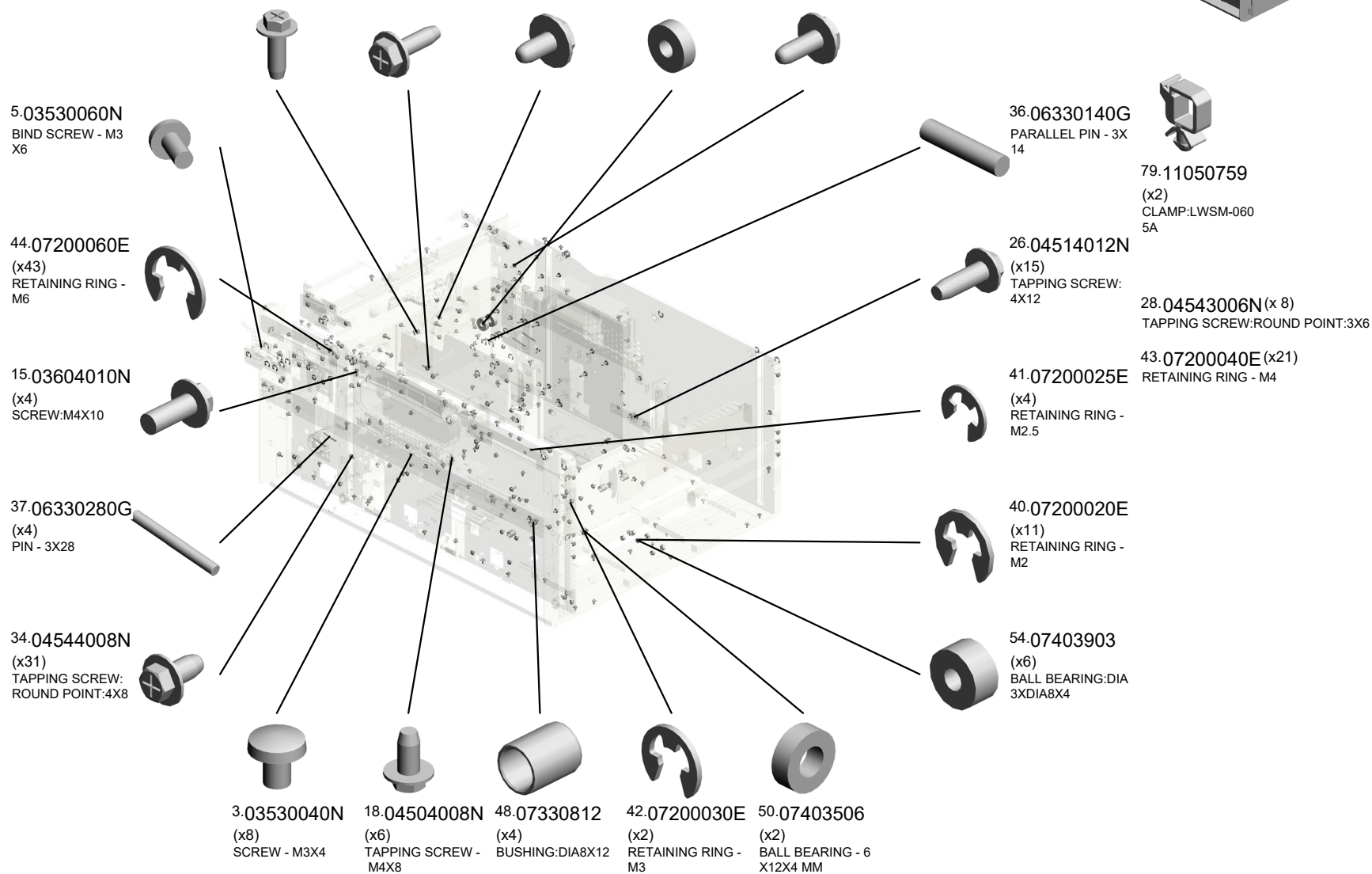
U001	U002	U003	U004	U005	U006	U007	U008	U009	U010	U011	U012	U013	U014	U015	U016	U017
------	------	------	------	------	------	------	------	------	------	------	------	------	------	------	------	------

U011_S011
PAPER TRAY:ASS'Y

20.04504012N (x2) TAPPING SCREW: 4X12
 22.04513010N (x8) TAPPING SCREW: 3X10
 28.04543006N (x204) TAPPING SCREW: ROUND POINT:3X6
 49.07403008 (x2) BALL BEARING - 8 X22X7
 30.04543008Q (x4) TAPPING SCREW: 3X8

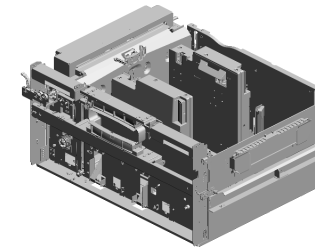


607.M2052496
 [A]
 PAPER TRAY:ASS'
 Y
 202005-02 X/O



U001	U002	U003	U004	U005	U006	U007	U008	U009	U010	U011	U012	U013	U014	U015	U016	U017
------	------	------	------	------	------	------	------	------	------	------	------	------	------	------	------	------

U011_S011
PAPER TRAY:ASS'Y



607.M2052496
[A]
PAPER TRAY:ASS'
Y
202005-02 X/O

122.AB011478 GEAR - 18Z
107.AA084059 (x2) BALL BEARING HOLDER
74.11050692 CLAMP:LES-0503
85.52062686 (x3) SNAP RING
77.11050725 (x2) CLAMPS:WES-117

99.AA063204
COMPRESSION SPRING

111.AA143139
SHOULDER SCREW - PRESSURE ARM

92.AA043318
TIMING BELT - 40S 3M144

123.AB013421 (x2) GEAR - 18Z

66.11029145
CONNECTOR:0-29 2215-2

69.11035448
CONNECTOR:23P-RWZV-K4GG-P6(LF)(SN)

68.11034749
CONNECTOR:39P-RWZV-K4GG-P2(LF)(SN)

58.07433912 (x2) RADIAL BALL BEARING: DIA12XDIA24X6

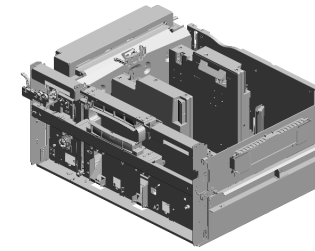
75.11050723 (x22) CLAMPS:WES-0507

87.54462560
CUSHION - PAPER TRAY

78.11050758 (x23) CLAMP:LWSM-0306A
82.11050763 (x5) CLAMP:LWS-1211A
114.AA143718 (x8) STEPPED SCREW - M4
57.07433808 (x4) RADIAL BALL BEARING: DIA8XDIA16X5
80.11050760 (x58) CLAMP:LWSM-0511A

U001	U002	U003	U004	U005	U006	U007	U008	U009	U010	U011	U012	U013	U014	U015	U016	U017
------	------	------	------	------	------	------	------	------	------	------	------	------	------	------	------	------

U011_S011 PAPER TRAY:ASS'Y



607.M2052496

[A]
PAPER TRAY:ASS'
Y
202005-02 X/O

146.B1253230 SPACER - 0.3
129.AF022167 TRANSPORT ROLLER - DRIVEN
247.D5161540 COVER:GRIP:INNER BACK
133.AW010151 (x3) PHOTO REFLECTIVE SENSOR:PS122T L1-A
134.AW020198 PHOTO INTERRUPTOR:LG2A14NL1

183.D0461165 (x4) SPACER:DIA8XDIA14X2.2

236.D3502563 KNOB:MISFEED REMOVAL

237.D3504837 TORSION SPRING: KNOB:MISFEED REMOVAL

179.C2693566 (x8) BUSHING:MM8:PRESSURE:DRIVE

169.B8352727 (x2) PAPER FEED SENSOR BRACKET

126.AB014312 GEAR:MOTOR:DRIVE:15Z

124.AB014136 GEAR - 31Z

238.D3553214 GEAR - 30Z

154.B2343067 (x2) SPRING

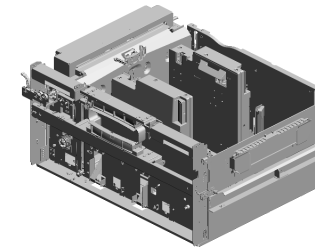
167.B8344032 (x4) CUSHION:TRAY:NO.1

246.D5161537 (x6) PLAIN SHAFT BEARING RING:DIA8
172.C1051866 (x4) PIN
178.C2652315 (x2) SCREW:DRUM
164.B8343312 (x2) COLLAR
165.B8343315 GEAR - 13Z

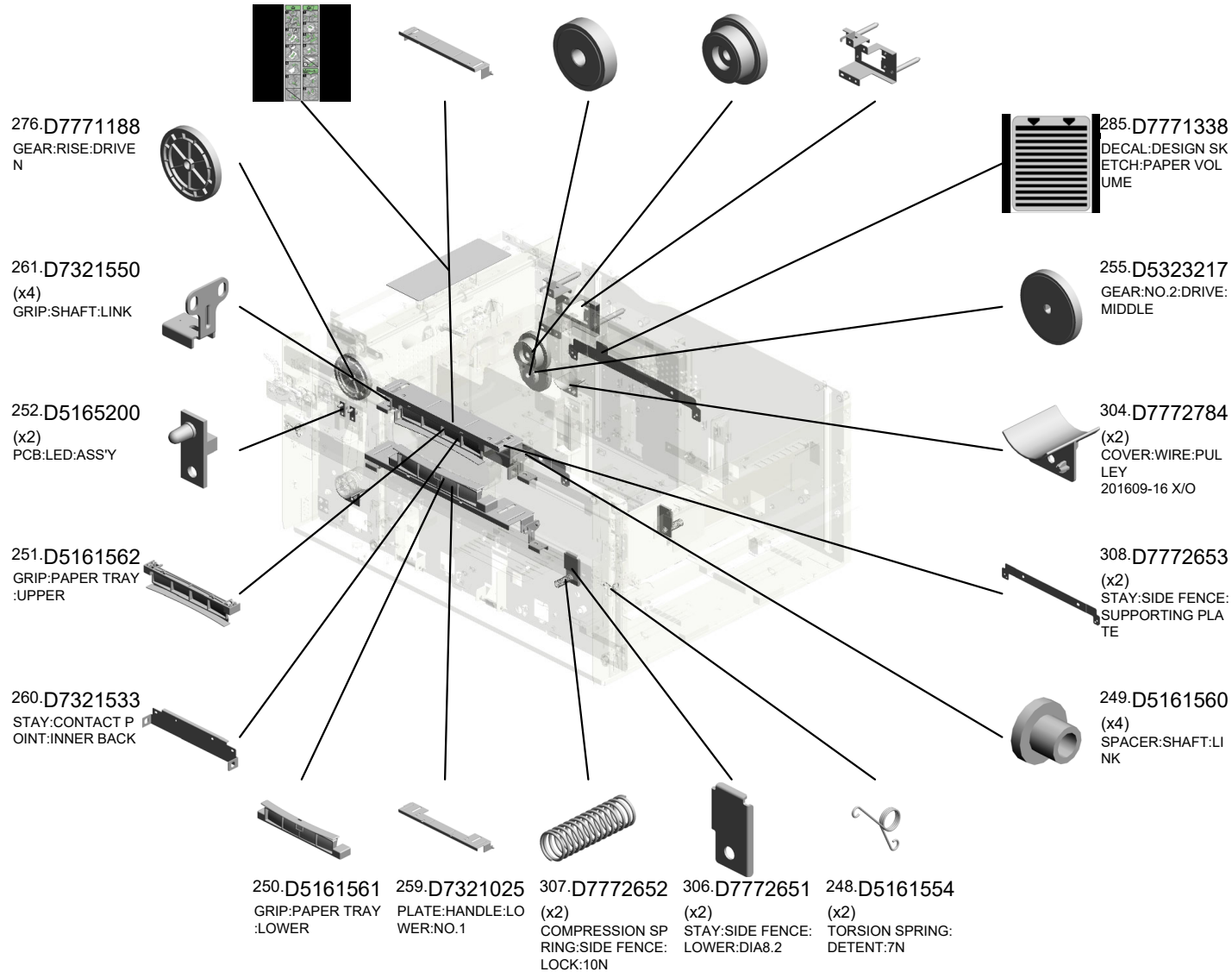
U001	U002	U003	U004	U005	U006	U007	U008	U009	U010	U011	U012	U013	U014	U015	U016	U017
------	------	------	------	------	------	------	------	------	------	------	------	------	------	------	------	------

U011_S011
PAPER TRAY:ASS'Y

280.D7771331 258.D7321023 254.D5323214 256.D5324547 305.D7772645
DECAL:PAPER:SU PPLY PLATE:HANDLE:UP PER:NO.1 GEAR:SMALL:NO.1 GEAR:NO.4:MIDDLE BRACKET:DRAWER:TRAY:CAVITY

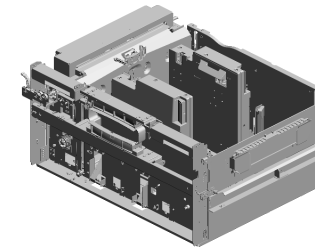


607.M2052496
[A]
PAPER TRAY:ASS'Y
202005-02 X/O



U001	U002	U003	U004	U005	U006	U007	U008	U009	U010	U011	U012	U013	U014	U015	U016	U017
------	------	------	------	------	------	------	------	------	------	------	------	------	------	------	------	------

U011_S011 PAPER TRAY:ASS'Y



607.M2052496

[A]
PAPER TRAY:ASS'
Y
202005-02 X/O

- 322.D7772698 (x4) COIL SPRING:PLATE:PAPER:SIDE FENCE:0.8N
- 310.D7772663 COVER:SIDE FENCE:FRONT
- 321.D7772659 (x2) PLATE:PAPER:GUIDE:SIDE FENCE 201603-01 O/O
- 320.D7772693 SIDE FENCE:REAR
- 312.D7772673 COVER:SIDE FENCE:REAR

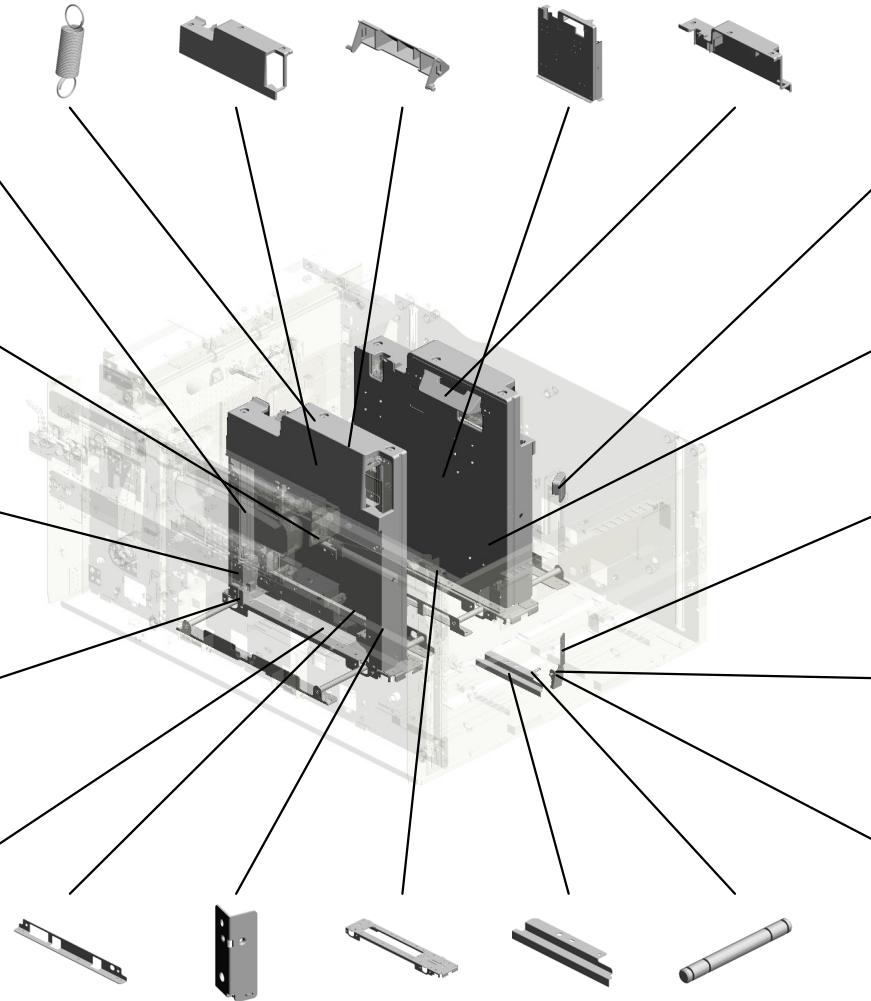
317.D7772686 (x2) DC SOLENOID:LINK:SIDE:ASS'Y

319.D7772691 SIDE FENCE:FRONT

318.D7772688 (x2) BRACKET:SOLENOID:SHUTTER

314.D7772681 (x4) SHAFT:BASE:SIDE FENCE

311.D7772665 FIX STAND:SIDE FENCE:FRONT



326.D7772715 COVER:END FENCE:LEVER

315.D7772682 (x2) HOLDER:SHAFT:SIDE FENCE:OUTER

325.D7772714 PLATE:RATCHET

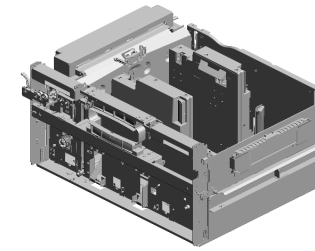
323.D7772712 SHAFT:LINK

324.D7772713 BRACKET:LEVER:RATCHET:END FENCE

- 316.D7772683 (x2) HOLDER:SHAFT:SIDE FENCE:INNER
- 309.D7772654 (x2) LEVER:SIDE FENCE:SIDE:RELEASE PLATE:LOCK
- 313.D7772675 FIX STAND:SIDE FENCE:REAR
- 327.D7772716 FEELER:PAPER SIZE SENSOR
- 328.D7772717 SHAFT:END FENCE:UPPER

U001	U002	U003	U004	U005	U006	U007	U008	U009	U010	U011	U012	U013	U014	U015	U016	U017
------	------	------	------	------	------	------	------	------	------	------	------	------	------	------	------	------

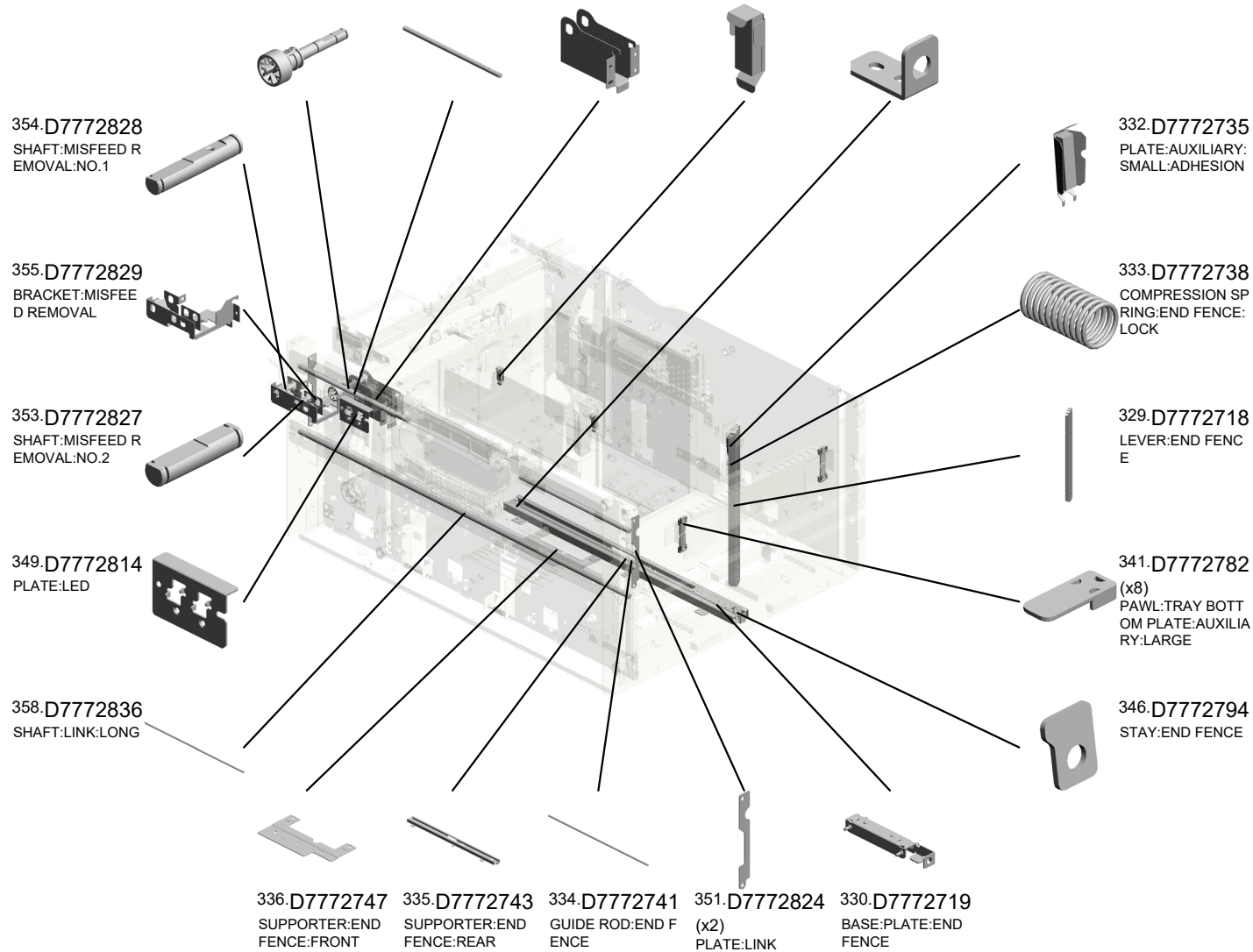
U011_S011
PAPER TRAY:ASS'Y



607.M2052496

[A]
PAPER TRAY:ASS'
Y
202005-02 X/O

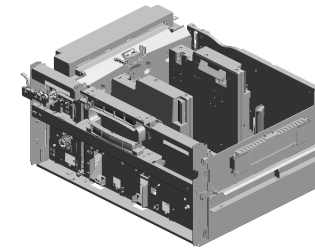
357.D7772834 SHAFT:GEAR:COUPLING
350.D7772817 (x2) SHAFT:LINK:SHORT
356.D7772832 BRACKET:GEAR:COUPLING
345.D7772790 (x2) PLATE:AUXILIARY:SMALL
337.D7772749 FIX STAND:END FENCE



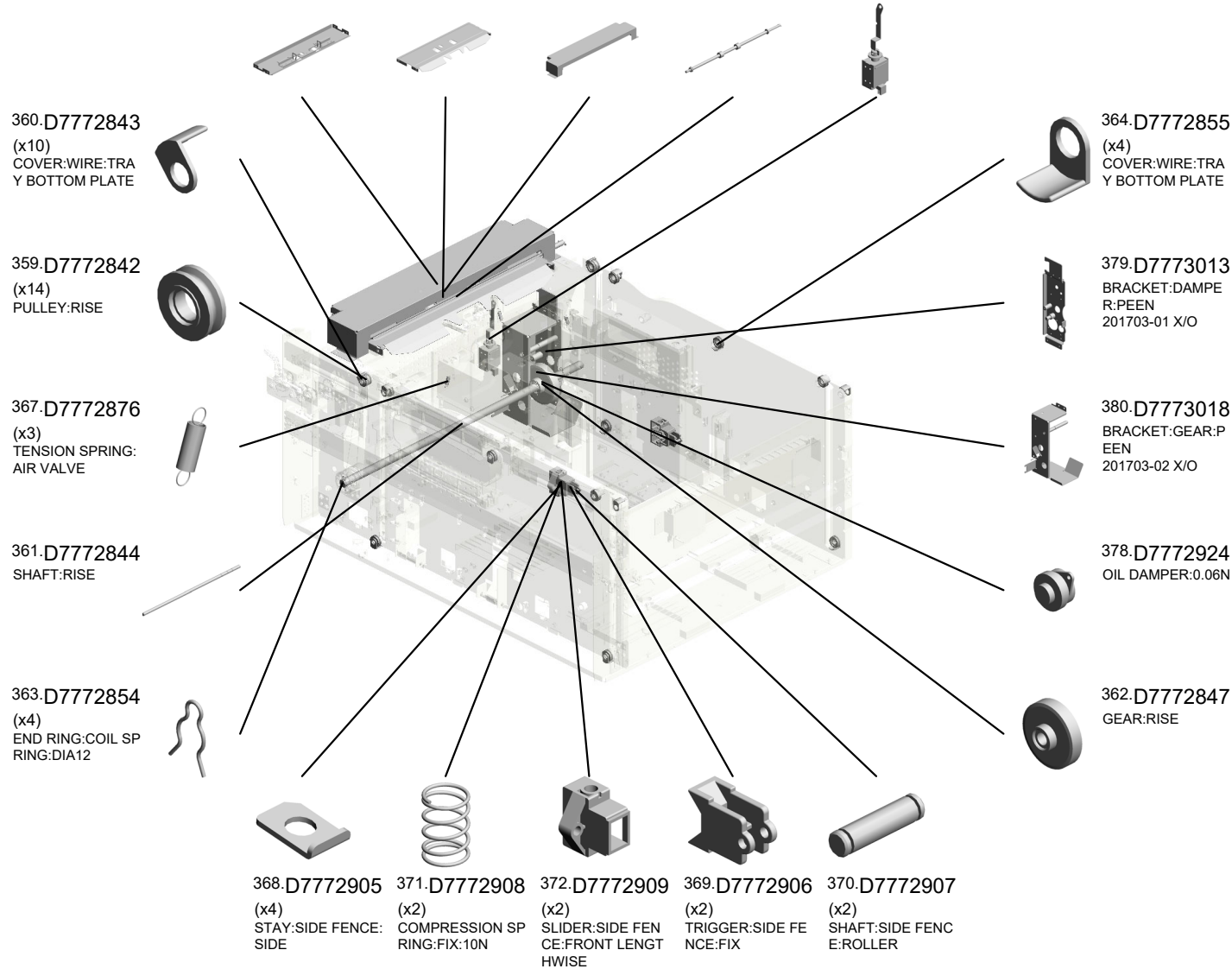
U001	U002	U003	U004	U005	U006	U007	U008	U009	U010	U011	U012	U013	U014	U015	U016	U017
------	------	------	------	------	------	------	------	------	------	------	------	------	------	------	------	------

U011_S011
PAPER TRAY:ASS'Y

374.D7772914 GUIDE PLATE:TRANSPORT SUB-UNIT:TRAY:UPPER
 375.D7772918 GUIDE PLATE:TRANSPORT SUB-UNIT:TRAY:LOWER
 377.D7772923 COVER:TRANSPORT SUB-UNIT:TRAY
 373.D7772913 TRANSPORT ROLLER:GRIP
 366.D7772875 DC SOLENOID:FRONT



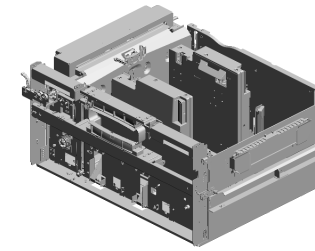
607.M2052496
 [A]
 PAPER TRAY:ASS'Y
 202005-02 X/O



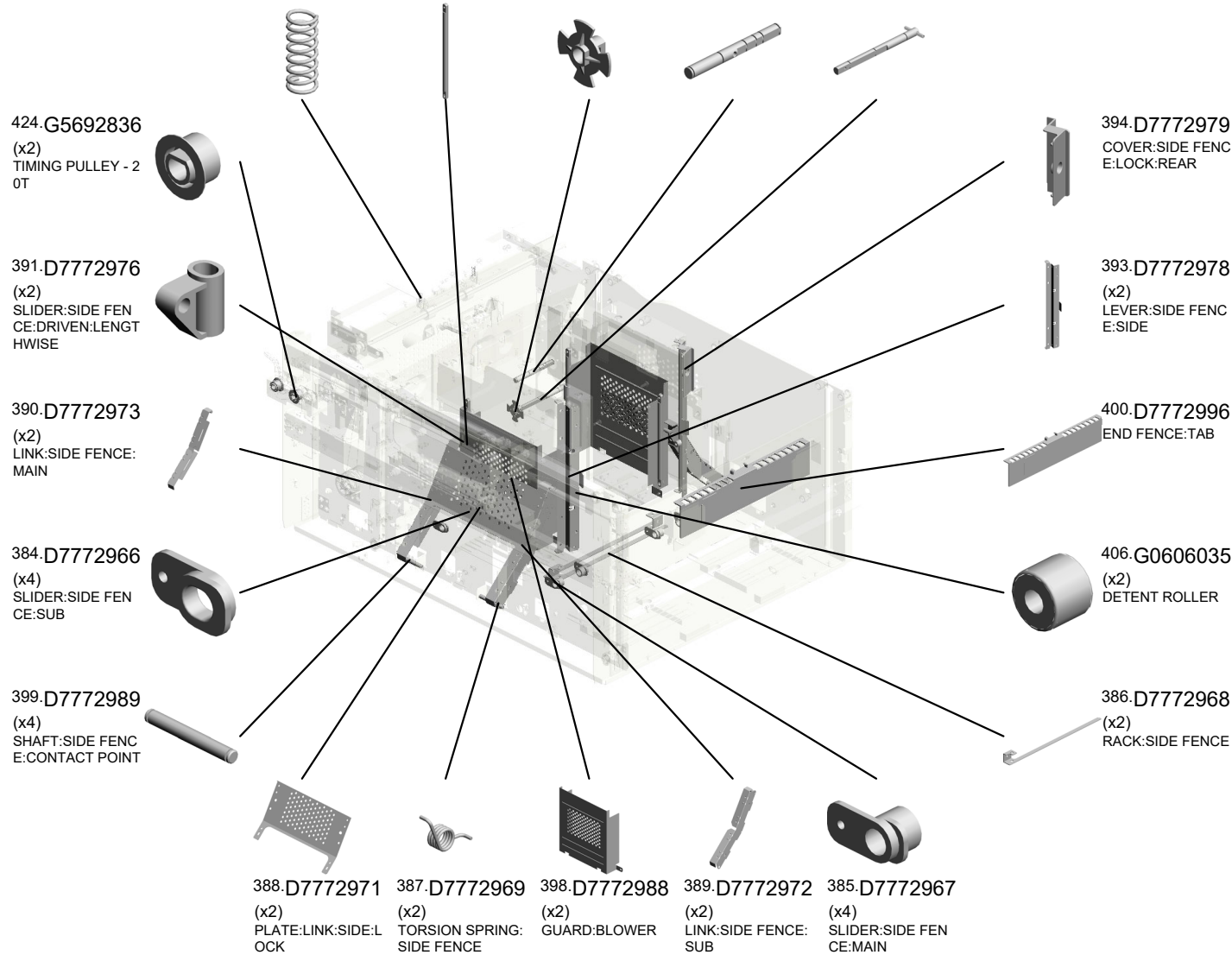
U001	U002	U003	U004	U005	U006	U007	U008	U009	U010	U011	U012	U013	U014	U015	U016	U017
------	------	------	------	------	------	------	------	------	------	------	------	------	------	------	------	------

U011_S011 PAPER TRAY:ASS'Y

402.D7773529 (x2) COMPRESSION SPRING:TRANSPORT:15N
 397.D7772987 (x4) SHAFT:SIDE FENCE:LENGTHWISE
 383.D7772955 FEELER:PAPER VOLUME SENSOR
 382.D7772954 SHAFT:GEAR:OUTPUT
 381.D7772951 SHAFT:GEAR:INPUT



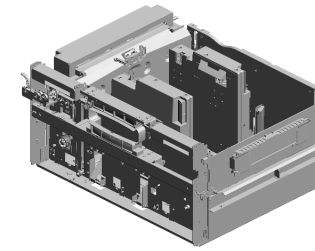
607.M2052496
 [A]
 PAPER TRAY:ASS'Y
 202005-02 X/O



U001	U002	U003	U004	U005	U006	U007	U008	U009	U010	U011	U012	U013	U014	U015	U016	U017
------	------	------	------	------	------	------	------	------	------	------	------	------	------	------	------	------

U011_S011
PAPER TRAY:ASS'Y

617.D7773000 (x2) STAY:SLIDE RAIL: PEEN 202206-01 O/O
 577.D7772639 SIDE PLATE:TRAY: LEFT UPPER
 590.D7772636 ADJUSTING PLATE :DRUM STAY:UPPER
 579.D7773020 BRACKET:DAMPEN R:GEAR:PLATE 201703-03
 604.D3EW2796 (x2) PULLEY:ROLLING: SHORT:ASS'Y 202001-02 X/O



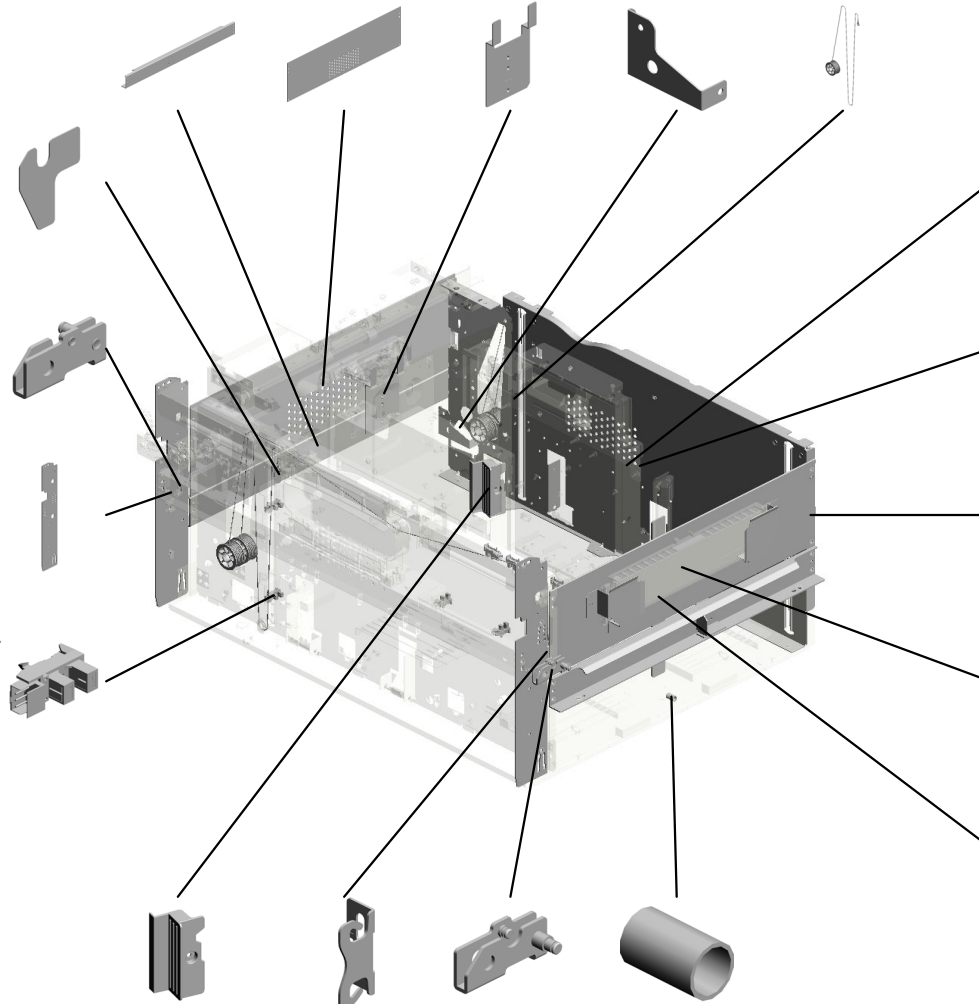
607.M2052496
 [A]
 PAPER TRAY:ASS'Y
 202005-02 X/O

569.D7772655 (x2) SHEET:HOOK:WIRE:FRONT 201609-23

450.M2052485 GUIDE:STOPPER:LEFT

449.M2052481 (x2) PLATE:OPERATION SUB-UNIT:MAIN PAPER SMD

605.GW020024 (x8) PHOTOINTERRUPTOR:LG2A24BL1:GF 202002-02 O/O



565.D7772632 SIDE PLATE:TRAY: REAR:PEEN 201609-17 X/O

603.D3EW2795 (x2) PULLEY:ROLLING: LONG:ASS'Y 202001-01 X/O

570.D7772657 (x2) SHEET:HOOK:WIRE:REAR 201609-24

578.D7772646 SIDE PLATE:TRAY: RIGHT UPPER:PEEN

566.D7772742 MAGNETIC:SHEET: END FENCE 201605-04

615.D7773077 COVER:SIDE FENCE:LOCK:FRONT 202108-02 O/O
 581.D7772634 (x2) HOOK:WIRE:FRONT
 451.M2052486 GUIDE:STOPPER: RIGHT
 434.D7772744 COMPRESSION SPRING:END FENCE: LOCK 201604-01 O/O

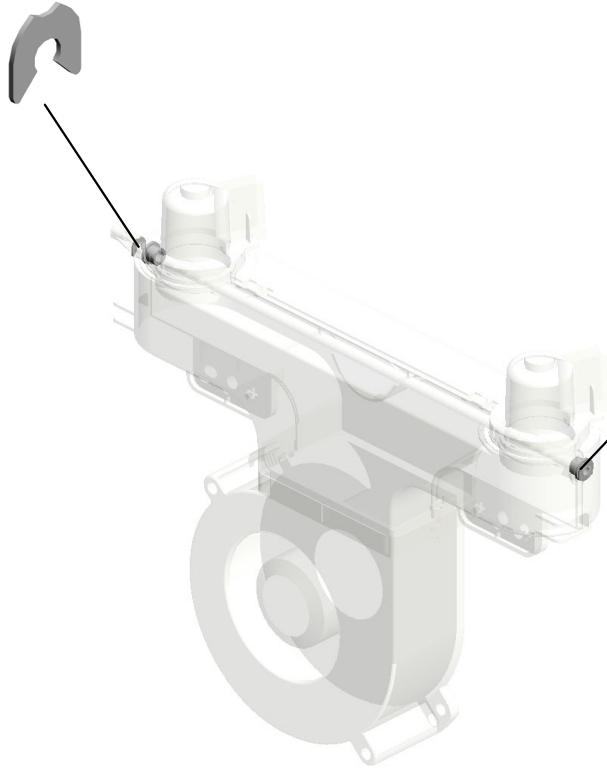


M2052495
 [A]
 PAPER TRAY:ASS'Y
 202005-02 X/O

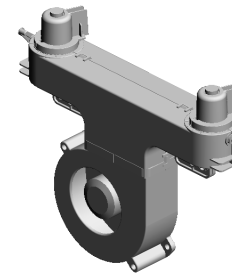
U001	U002	U003	U004	U005	U006	U007	U008	U009	U010	U011	U012	U013	U014	U015	U016	U017
------	------	------	------	------	------	------	------	------	------	------	------	------	------	------	------	------

U011_S011_S001
DUCT:SIDE:BLOWER:SUB-ASS'Y

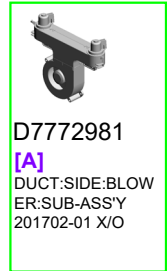
59.08050100
(x2)
RETAINING RING -
M2.5



86.53241658
(x2)
BUSHING- 4X8X4.5
MM



395.D7772571
[A]
DUCT:SIDE:BLOW
ER:SUB-ASS'Y
201702-01 X/O

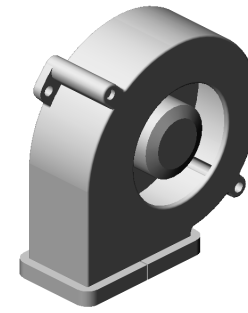
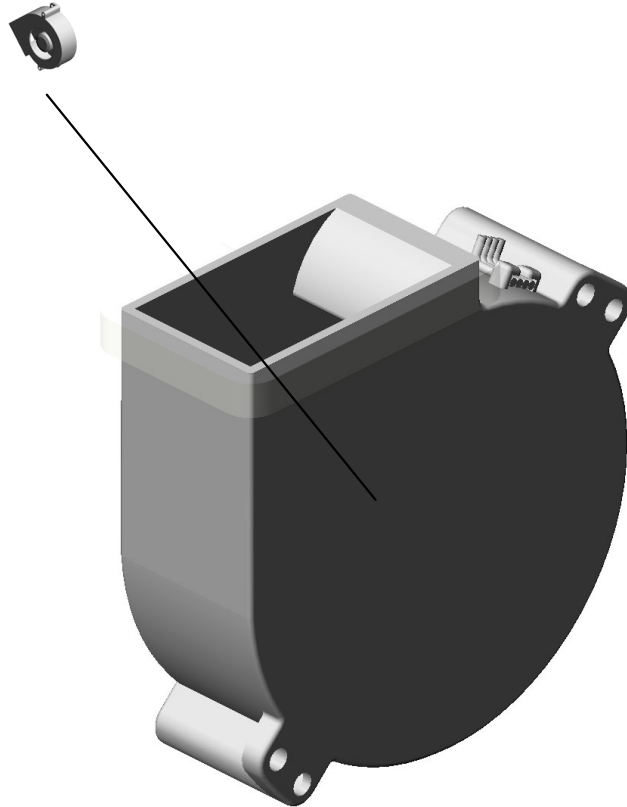


D7772981
[A]
DUCT:SIDE:BLOW
ER:SUB-ASS'Y
201702-01 X/O

U001	U002	U003	U004	U005	U006	U007	U008	U009	U010	U011	U012	U013	U014	U015	U016	U017
------	------	------	------	------	------	------	------	------	------	------	------	------	------	------	------	------

U011_S011_S001_S001
BLOWER:SEAL

144.AX660017
FAN:BLOWER:DC2
4V
201606-04 X/O

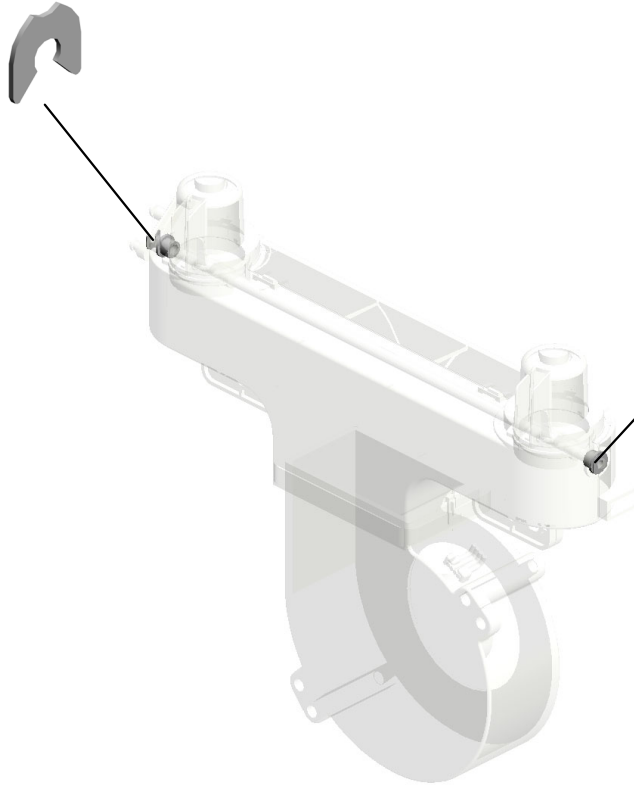


271.D7771170
BLOWER:SEAL

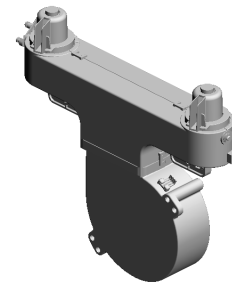
U001	U002	U003	U004	U005	U006	U007	U008	U009	U010	U011	U012	U013	U014	U015	U016	U017
------	------	------	------	------	------	------	------	------	------	------	------	------	------	------	------	------

U011_S011_S002
DUCT:SIDE:BLOWER:REAR:ASS'Y

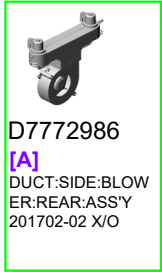
59.08050100
(x2)
RETAINING RING -
M2.5



86.53241658
(x2)
BUSHING- 4X8X4.5
MM



396.D7772576
[A]
DUCT:SIDE:BLOW
ER:REAR:ASS'Y
201702-02 X/O

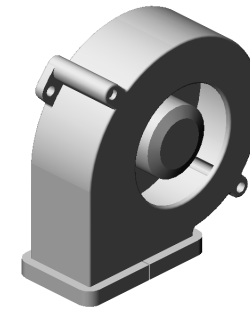
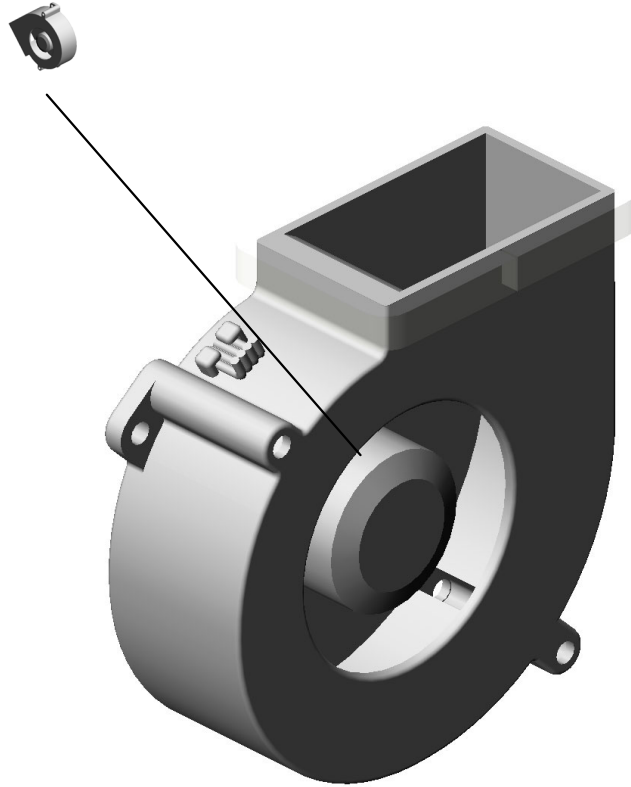


D7772986
[A]
DUCT:SIDE:BLOW
ER:REAR:ASS'Y
201702-02 X/O

U001	U002	U003	U004	U005	U006	U007	U008	U009	U010	U011	U012	U013	U014	U015	U016	U017
------	------	------	------	------	------	------	------	------	------	------	------	------	------	------	------	------

U011_S011_S002_S001
BLOWER:SEAL

144.AX660017
FAN:BLOWER:DC2
4V
201606-04 X/O

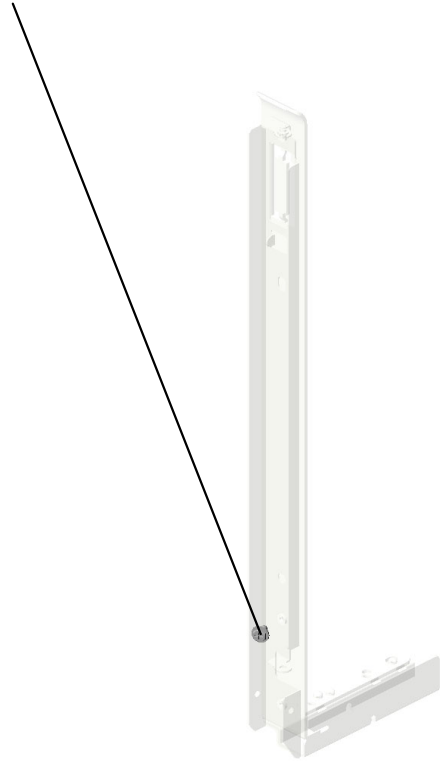


271.D7771170
BLOWER:SEAL

U001	U002	U003	U004	U005	U006	U007	U008	U009	U010	U011	U012	U013	U014	U015	U016	U017
------	------	------	------	------	------	------	------	------	------	------	------	------	------	------	------	------

U011_S011_S003
PLATE:END FENCE:ASS'Y

28.04543006N
TAPPING SCREW:
ROUND POINT:3X6



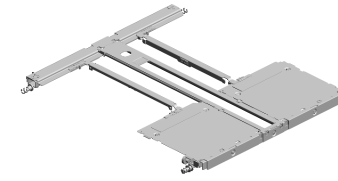
331.D7772730
PLATE:END FENC
E:ASS'Y

28.04543006N(x 1)
TAPPING SCREW:ROUND POINT:3X6

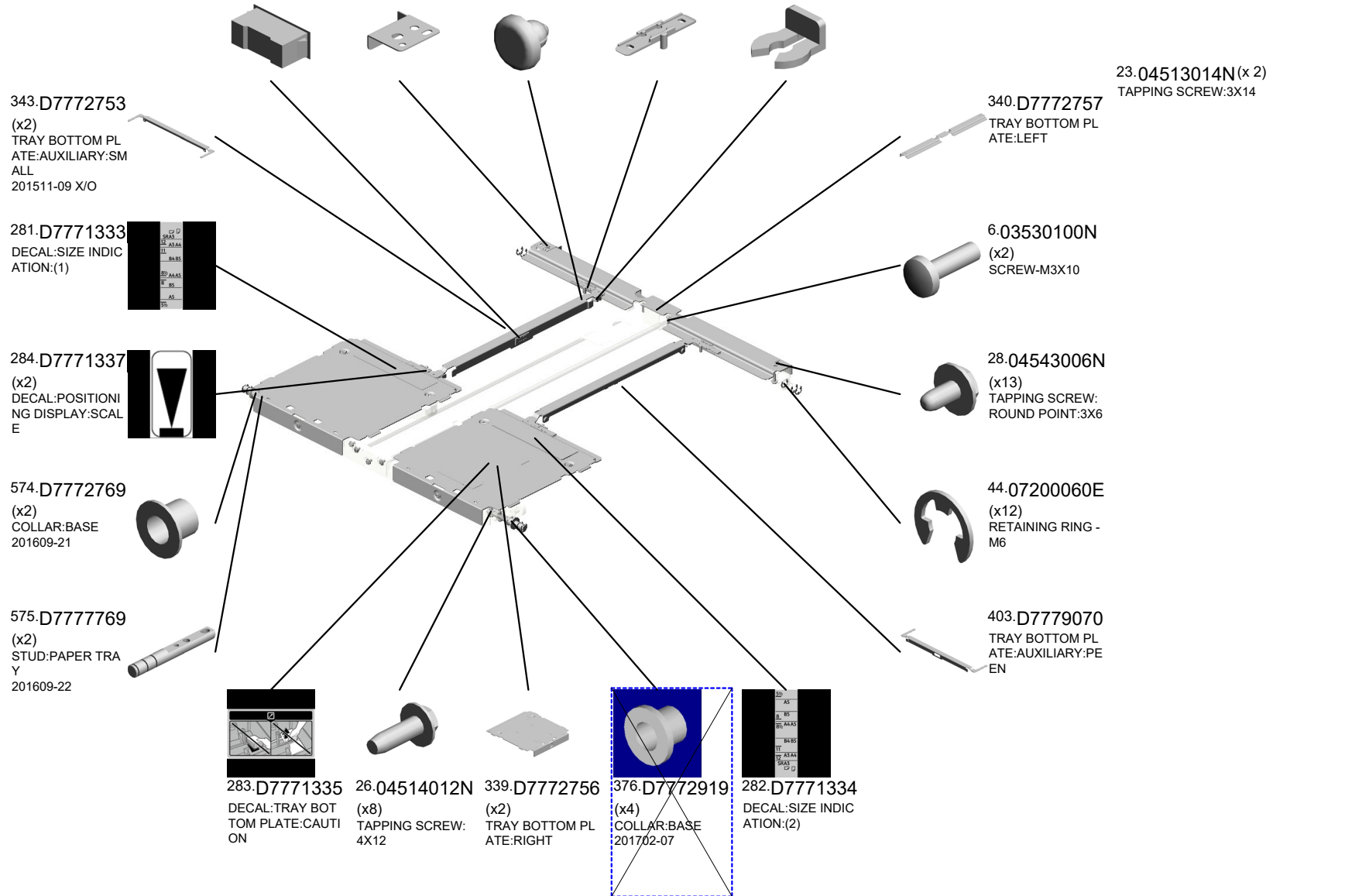
U001	U002	U003	U004	U005	U006	U007	U008	U009	U010	U011	U012	U013	U014	U015	U016	U017
------	------	------	------	------	------	------	------	------	------	------	------	------	------	------	------	------

U011_S011_S004
 TRAY BOTTOM PLATE:ASS'Y

- 589.AG070513 (x2) MAGNET CATCH 201802-01 O/O
- 338.D7772752 FEELER:SENSOR: TRAY:BASE
- 239.D3554608 (x4) SPACER:SIDE FEN CE:PUSH RIVET
- 611.D3EW2758 (x4) PAWL:TRAY BOTT OM PLATE:AUXILIA RY 202106-01 O/O
- 88.54472681 (x4) SNAP RING



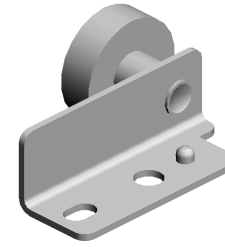
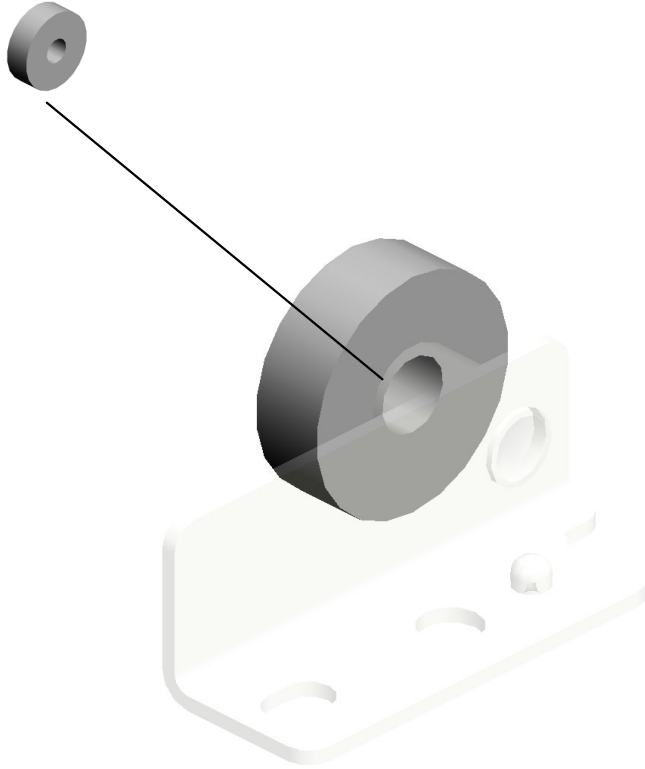
573.D7772750
 TRAY BOTTOM PL
 ATE:ASS'Y



U001	U002	U003	U004	U005	U006	U007	U008	U009	U010	U011	U012	U013	U014	U015	U016	U017
------	------	------	------	------	------	------	------	------	------	------	------	------	------	------	------	------

U011_S011_S004_S001
ROLLER:TRAY BOTTOM PLATE:REAR RIGHT:SUB-ASS'Y

568.07403206
BALL BEARING - 6
X19X6
201609-28

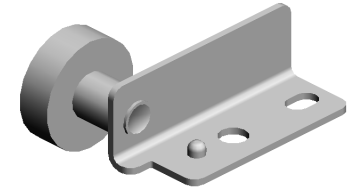
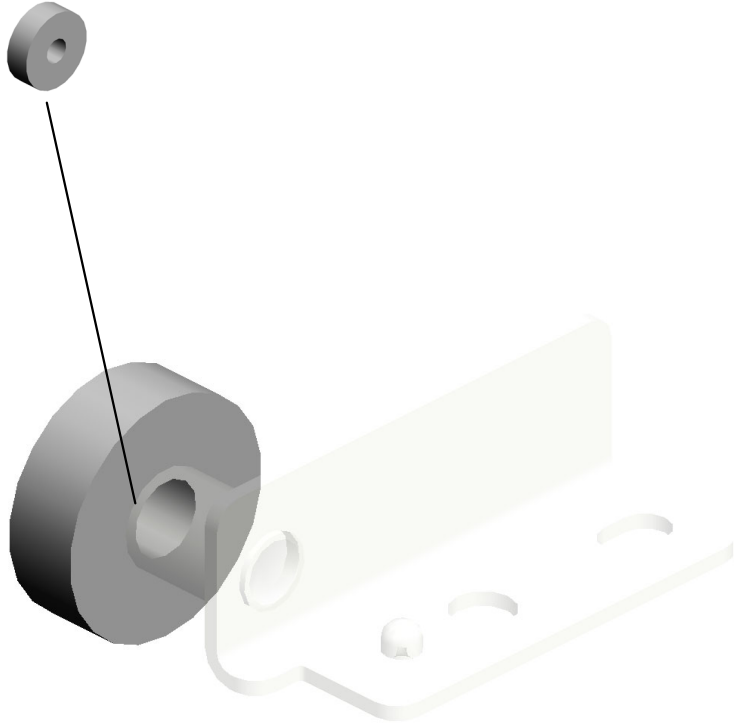


571.D7772745
ROLLER:TRAY BO
TTOM PLATE:REA
R RIGHT:SUB-ASS'
Y
201609-19

U001	U002	U003	U004	U005	U006	U007	U008	U009	U010	U011	U012	U013	U014	U015	U016	U017
------	------	------	------	------	------	------	------	------	------	------	------	------	------	------	------	------

U011_S011_S004_S002
ROLLER:TRAY BOTTOM PLATE:FRONT RIGHT:SUB-ASS'Y

568.07403206
BALL BEARING - 6
X19X6
201609-28



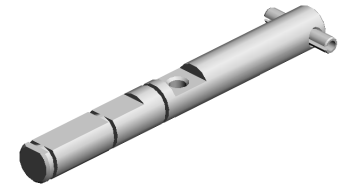
572.D7772746
ROLLER:TRAY BO
TTOM PLATE:FRO
NT RIGHT:SUB-AS
S'Y
201609-20

U001	U002	U003	U004	U005	U006	U007	U008	U009	U010	U011	U012	U013	U014	U015	U016	U017
------	------	------	------	------	------	------	------	------	------	------	------	------	------	------	------	------

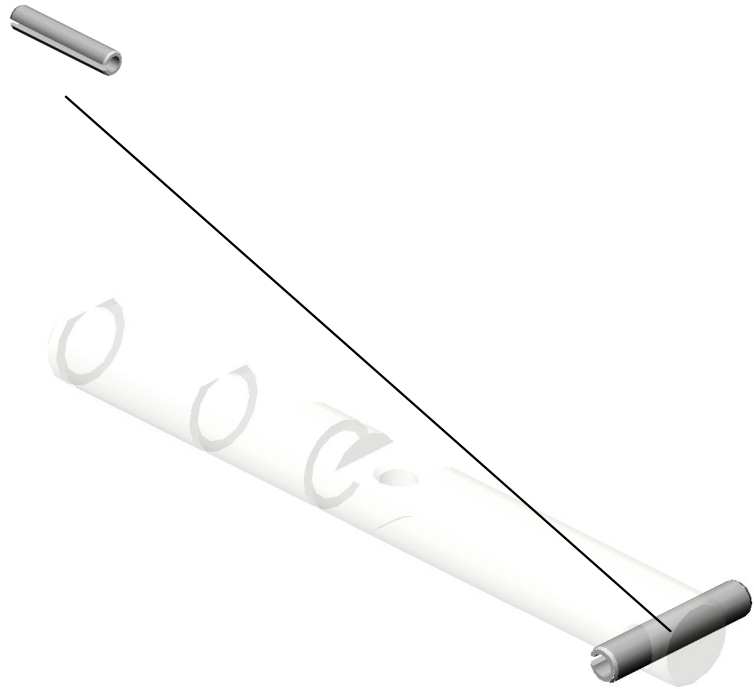
U011_S011_S005

SHAFT:MISFEED REMOVAL:NO.3:ASS'Y

562-06230160E
SPRING PIN:3X16



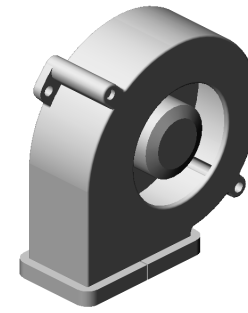
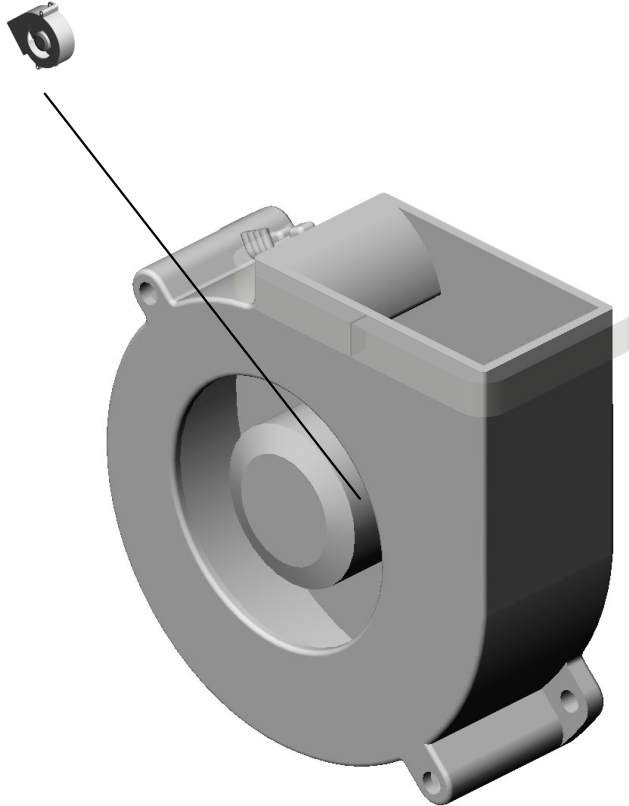
352-D7772825
SHAFT:MISFEED R
EMOVAL:NO.3:ASS
'Y



U001	U002	U003	U004	U005	U006	U007	U008	U009	U010	U011	U012	U013	U014	U015	U016	U017
------	------	------	------	------	------	------	------	------	------	------	------	------	------	------	------	------

U011_S011_S006
BLOWER:SEAL

144.AX660017
FAN:BLOWER:DC2
4V
201606-04 X/O

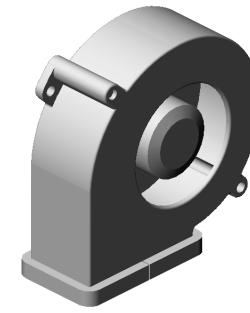
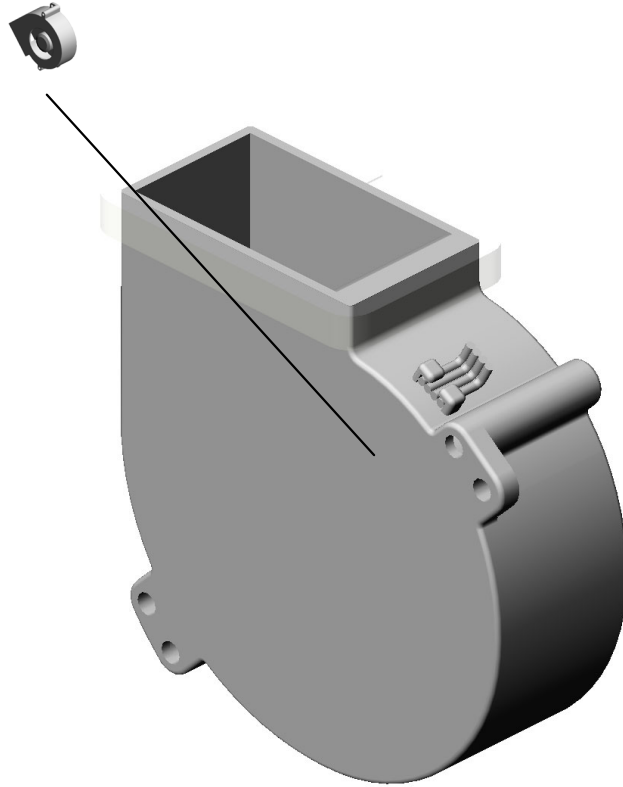


271.D7771170
BLOWER:SEAL

U001	U002	U003	U004	U005	U006	U007	U008	U009	U010	U011	U012	U013	U014	U015	U016	U017
------	------	------	------	------	------	------	------	------	------	------	------	------	------	------	------	------

U011_S011_S007
BLOWER:SEAL

144.AX660017
FAN:BLOWER:DC2
4V
201606-04 X/O

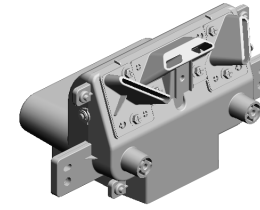


271.D7771170
BLOWER:SEAL

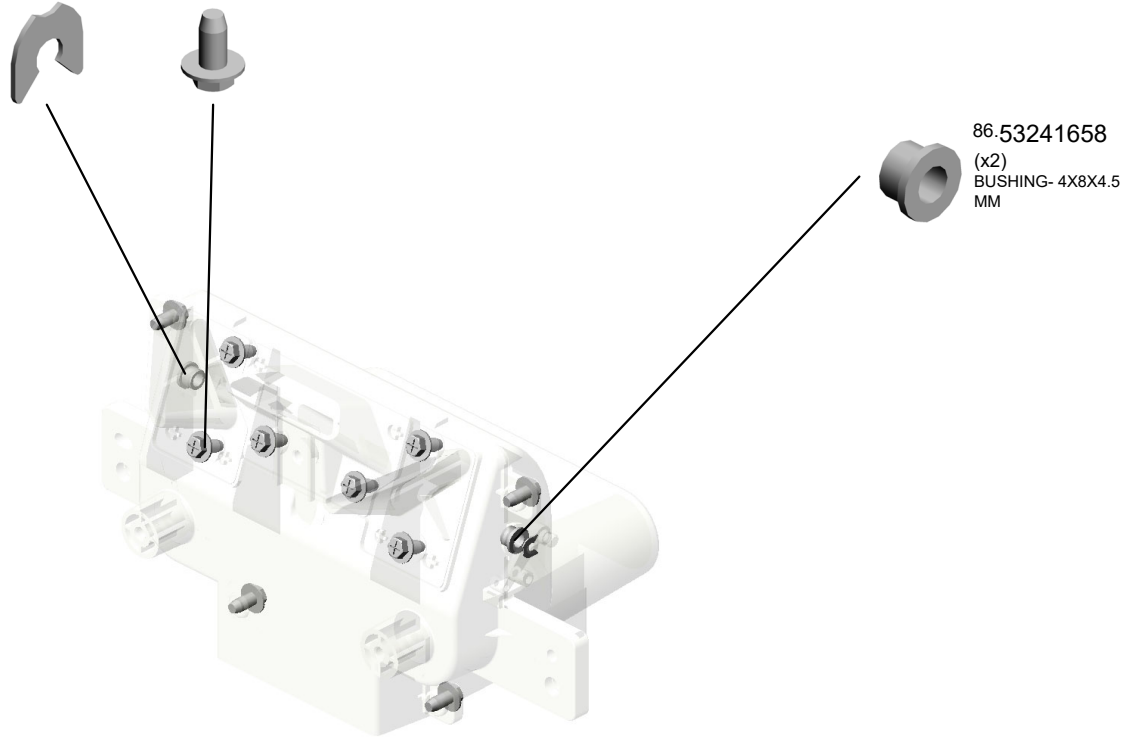
U001	U002	U003	U004	U005	U006	U007	U008	U009	U010	U011	U012	U013	U014	U015	U016	U017
------	------	------	------	------	------	------	------	------	------	------	------	------	------	------	------	------

U011_S011_S008
DUCT:FRONT:BLOWER:ASS'Y

59.08050100 18.04504008N
(x2) (x10)
RETAINING RING - TAPPING SCREW -
M2.5 M4X8



365.D7772865
DUCT:FRONT:BLO
WER:ASS'Y

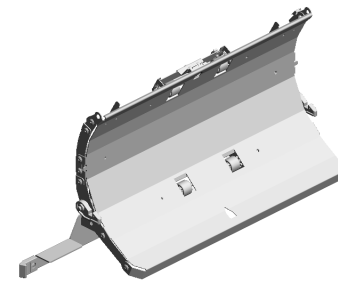


U001	U002	U003	U004	U005	U006	U007	U008	U009	U010	U011	U012	U013	U014	U015	U016	U017
------	------	------	------	------	------	------	------	------	------	------	------	------	------	------	------	------

U011_S012

GUIDE PLATE:VERTICAL TRANSPORT:LEFT:ASS'Y

9.03603006N (x2) SCREW - M3X6
 462.M2052559 COIL SPRING:GRIP :OPEN AND CLOSE
 521.M2057404 LINK:GUIDE PLATE :OPEN AND CLOSE :UN LOCK
 133.AW010151 PHOTO REFIECTIO N SENSOR:PS122T L1-A
 21.04513006N TAPPING SCREW - 3X6



456.M2052536
 GUIDE PLATE:VER
 TICAL TRANSPOR
 T:LEFT:ASSY

104.AA082101
 (x2)
 BUSHING - 6X10X6

130.AG051141
 RELEASE LEVER

3.03530040N
 SCREW - M3X4

457.M2052549
 BRACKET:LEVER:
 VERTICAL TRANS
 PORT



43.07200040E (x 2)
 RETAINING RING - M4

74.11050692
 CLAMP:LES-0503

71.11050511
 (x3)
 HARNESS CLAMP -
 LWS-0306ZC

455.M2052521
 TORSION SPRING:
 GUIDE PLATE:VER
 TICAL TRANSPOR
 T

458.M2052550
 SHAFT:LATCH:GUI
 DE PLATE:VERTIC
 AL TRANSPORT

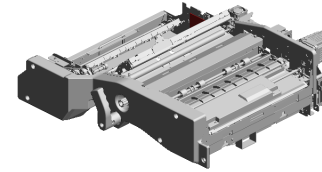
548.M2057489
 (x2)
 LATCH:GUIDE PLA
 TE:LOCK:RELEASE
 :SIDE

129.AF022167 (x2) TRANSPORT ROLL ER - DRIVEN
 107.AA084059 (x4) BALL BEARING HO LDER
 100.AA063674 (x4) SPRING - 8N



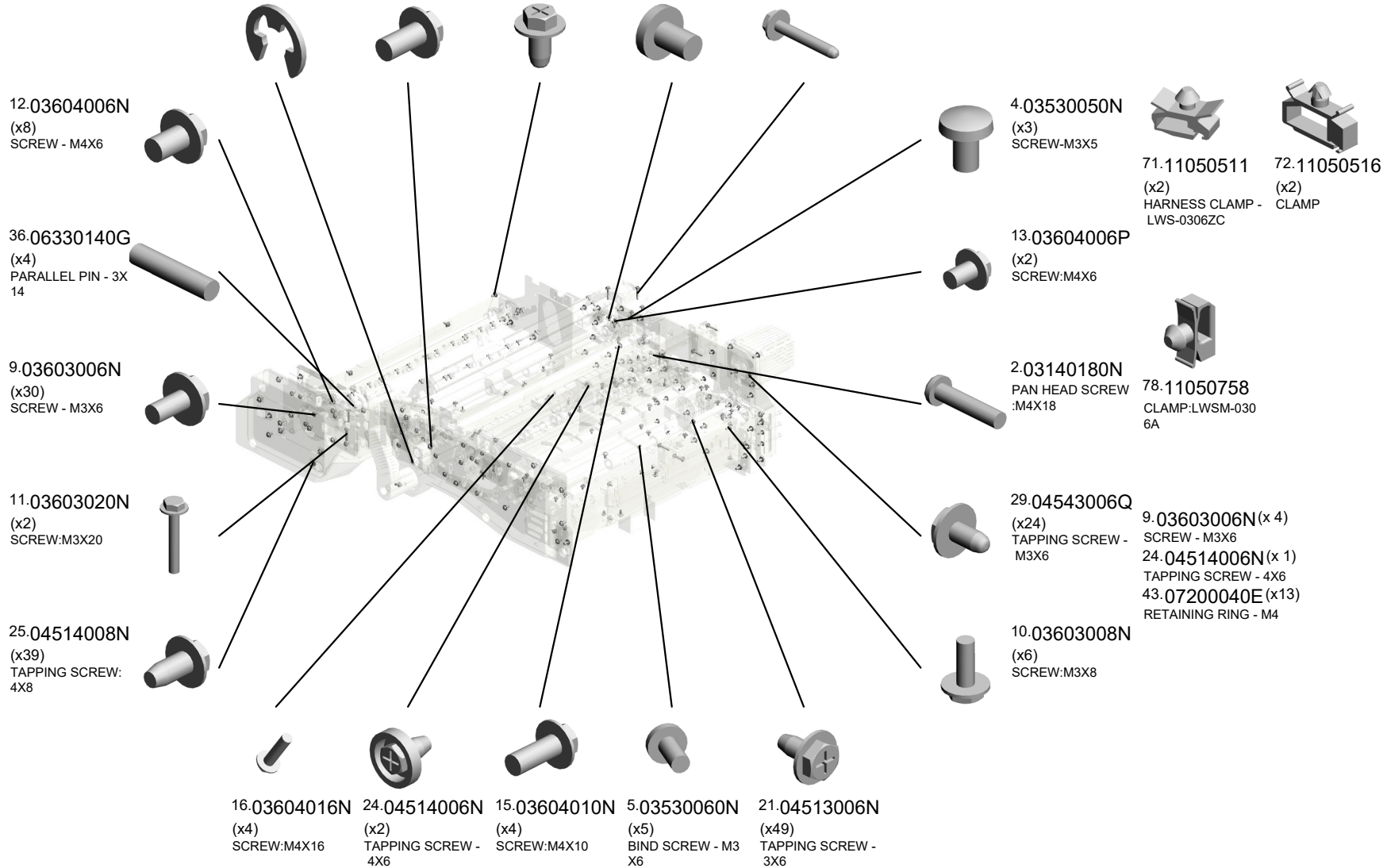
U001	U002	U003	U004	U005	U006	U007	U008	U009	U010	U011	U012	U013	U014	U015	U016	U017
------	------	------	------	------	------	------	------	------	------	------	------	------	------	------	------	------

42.07200030E (x5) RETAINING RING - M3
 14.03604008N (x14) SCREW - M4X8
 35.04544008Q (x15) TAPPING SCREW - M4X8
 7.03540060N (x2) SCREW-M4X6
 31.04543020Q (x6) TAPPING SCREW:: 3X20



602.M2057478

[A]
 TRANSPORT UNIT:
 REGISTRATION:PU
 LL OUT:ASSY
 201901-02 O/O

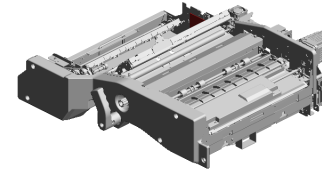


U001	U002	U003	U004	U005	U006	U007	U008	U009	U010	U011	U012	U013	U014	U015	U016	U017
------	------	------	------	------	------	------	------	------	------	------	------	------	------	------	------	------

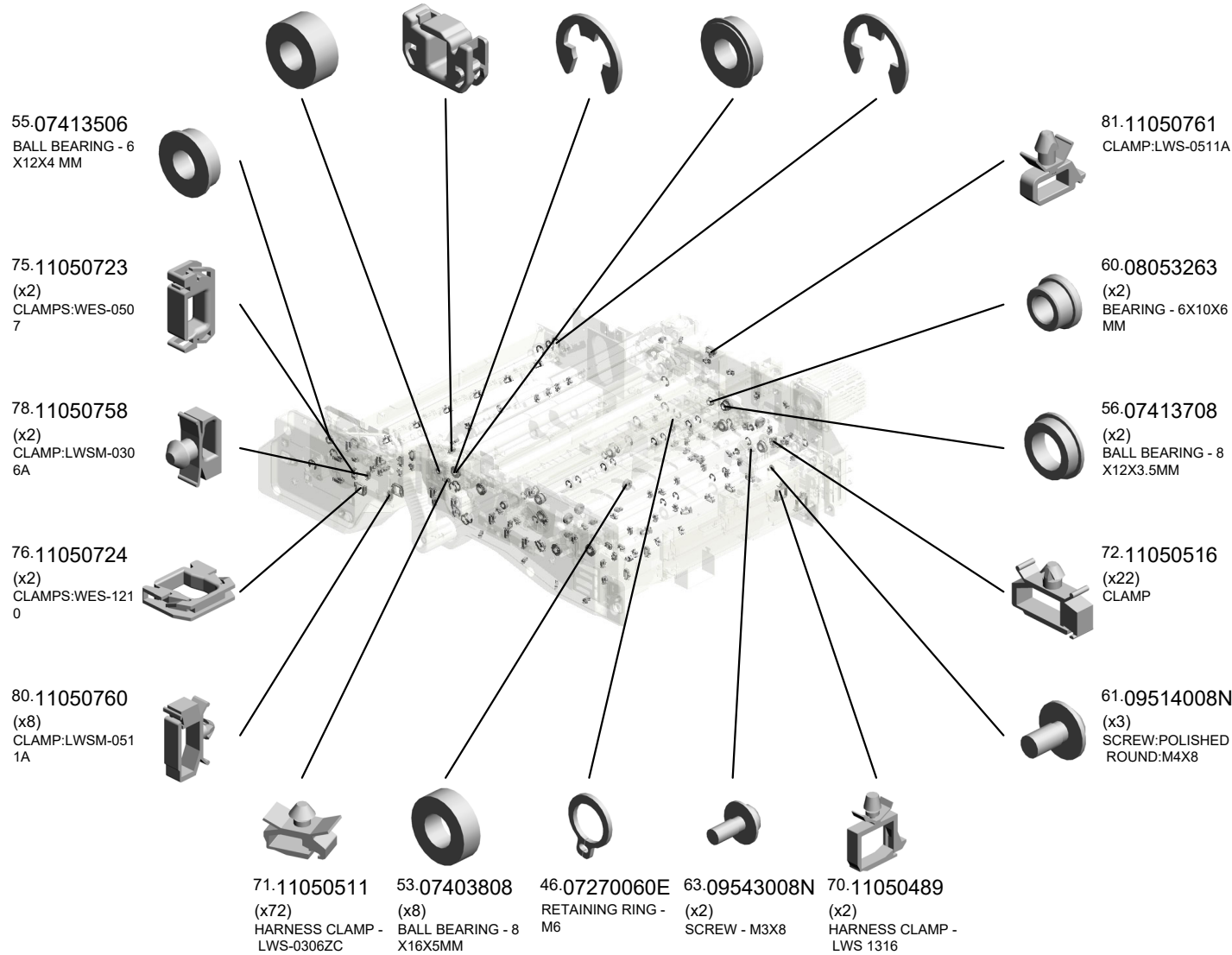
U011_S013

TRANSPORT UNIT:REGISTRATION:PULL OUT:ASS'Y

- 52.07403804 BALL BEARING: DIA 4XDIA9X4
- 74.11050692 (x6) CLAMP: LES-0503
- 44.07200060E (x30) RETAINING RING - M6
- 57.07433808 (x7) RADIAL BALL BEARING: DIA8XDIA16X5
- 45.07200080E (x18) RETAINING RING - M8



602.M2057478
[A]
 TRANSPORT UNIT:
 REGISTRATION:PU
 LL OUT:ASSY
 201901-02 O/O

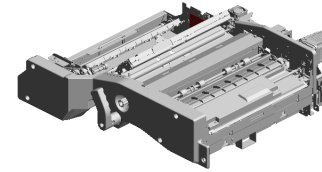


U001	U002	U003	U004	U005	U006	U007	U008	U009	U010	U011	U012	U013	U014	U015	U016	U017
------	------	------	------	------	------	------	------	------	------	------	------	------	------	------	------	------

U011_S013

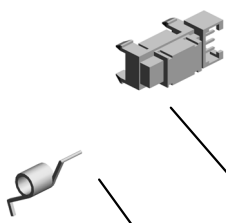
TRANSPORT UNIT:REGISTRATION:PULL OUT:ASS'Y

- 133.AW010151 (x3) PHOTO REFLECTIVE SENSOR:PS122TL1-A
- 128.AF021091 TIMING ROLLER:TRANSFER-DRIVEN
- 121.AA161122 (x3) MOTOR CUSHION
- 108.AA120127 (x2) DISCHARGE BRUSH:FUSING
- 127.AB030803 (x3) TIMING PULLEY - 25T



602.M2057478
[A]
 TRANSPORT UNIT:
 REGISTRATION:PU
 LL OUT:ASSY
 201901-02 O/O

102.AA066403
 TORSION SPRING:
 GUIDE PLATE:FRONT



136.AW020213
 (x2)
 OPTICS SENSOR:ENCODER:300LPI



97.AA061191
 (x4)
 TENSION SPRING:
 REGISTRATION



119.AA143812
 SCREW - SCALE



105.AA082104
 (x2)
 BUSHING - 8X12X7



82.11050763
 (x2)
 CLAMP:LWS-1211A



84.50530419
 (x8)
 BUSHING - 10MM



83.11050764
 (x4)
 CLAMP:LWS-1316A



135.AW020203
 PHOTOINTERRUPTOR:GP1A173LCS2F



134.AW020198
 (x2)
 PHOTOINTERRUPTOR:LG2A14NL1



90.A2941838
 GROUND PLATE -
 LENS STAY



109.AA132300
 (x2)
 ROLLER:LOCK:PULL OUT



91.A6973175
 SPACER - 10X14X1
 3.5MM



98.AA061192
 (x2)
 TENSION SPRING:
 TIMING ROLLER

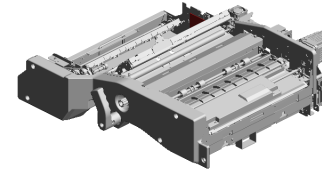


125.AB014243
 GEAR:IDLER:Z30



U001	U002	U003	U004	U005	U006	U007	U008	U009	U010	U011	U012	U013	U014	U015	U016	U017
------	------	------	------	------	------	------	------	------	------	------	------	------	------	------	------	------

U011_S013
 TRANSPORT UNIT:REGISTRATION:PULL OUT:ASS'Y



602.M2057478
 [A]
 TRANSPORT UNIT:
 REGISTRATION:PU
 LL OUT:ASSY
 201901-02 O/O

- 158.B2346508 (x2) TENSION SPRING
- 138.AX040196 STEPPER MOTOR: PAPER TRANSPOR
RT MD:MM56
- 185.D0592399 (x4) FLANGED HEXAG
ONAL HEAD BOLT:
M3*4
- 148.B1321221 HOLDER:SPRING:
PULL OUT
- 186.D0741195 (x2) GUIDE:LOCK:TRAN
SPORT UNIT

150.B1322366
 LEVER:DRUM STA
 Y:LEFT

173.C2023102
 (x2)
 COLLAR - 6.35X10
 X4MM

152.B2236171
 RUBBER BUSHING
 :ENCODER

143.AX060489
 DC BRUSHLESS M
 OTOR:DC24V:28W:
 DIA54.4

153.B2342390
 (x3)
 FLANGED HEXAG
 ONAL HEAD BOLT:
 M4X8

160.B2382675
 (x2)
 REGISTRATION R
 OLLER BUSHING

137.AX040195
 DC STEPPER MOT
 OR:SHIFT:56

147.B1321183
 BRACKET:LOCK

149.D1941234
 SUPPORTING PLA
 TE:BRACKET:LOC
 K
 201612-02 X/O

159.B2346533
 TIMING BELT - S2
 M152

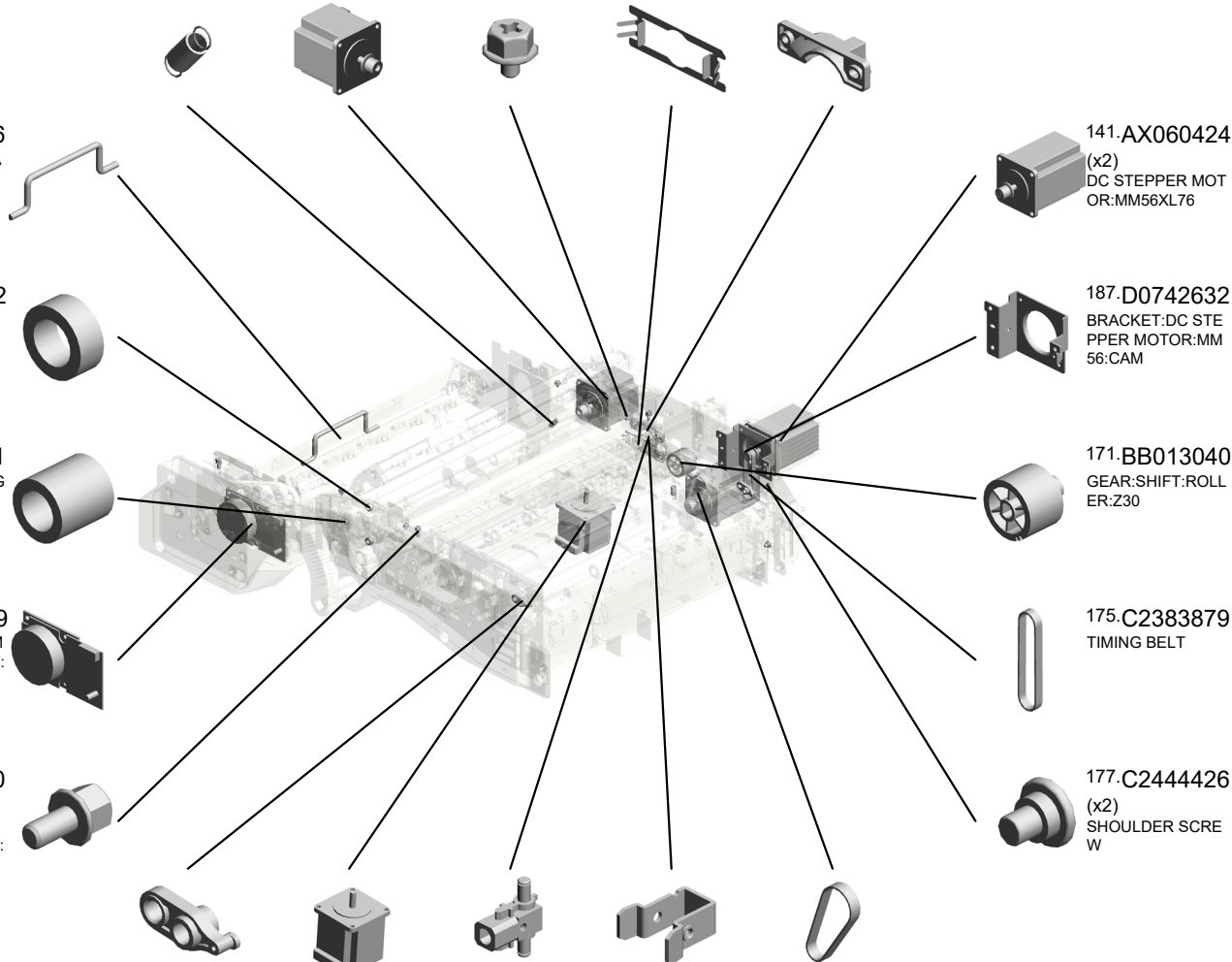
141.AX060424
 (x2)
 DC STEPPER MOT
 OR:MM56XL76

187.D0742632
 BRACKET:DC STE
 PPER MOTOR:MM
 56:CAM

171.BB013040
 GEAR:SHIFT:ROLL
 ER:Z30

175.C2383879
 TIMING BELT

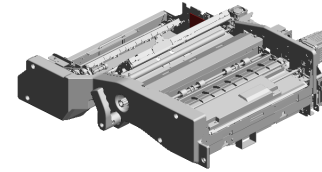
177.C2444426
 (x2)
 SHOULDER SCRE
 W



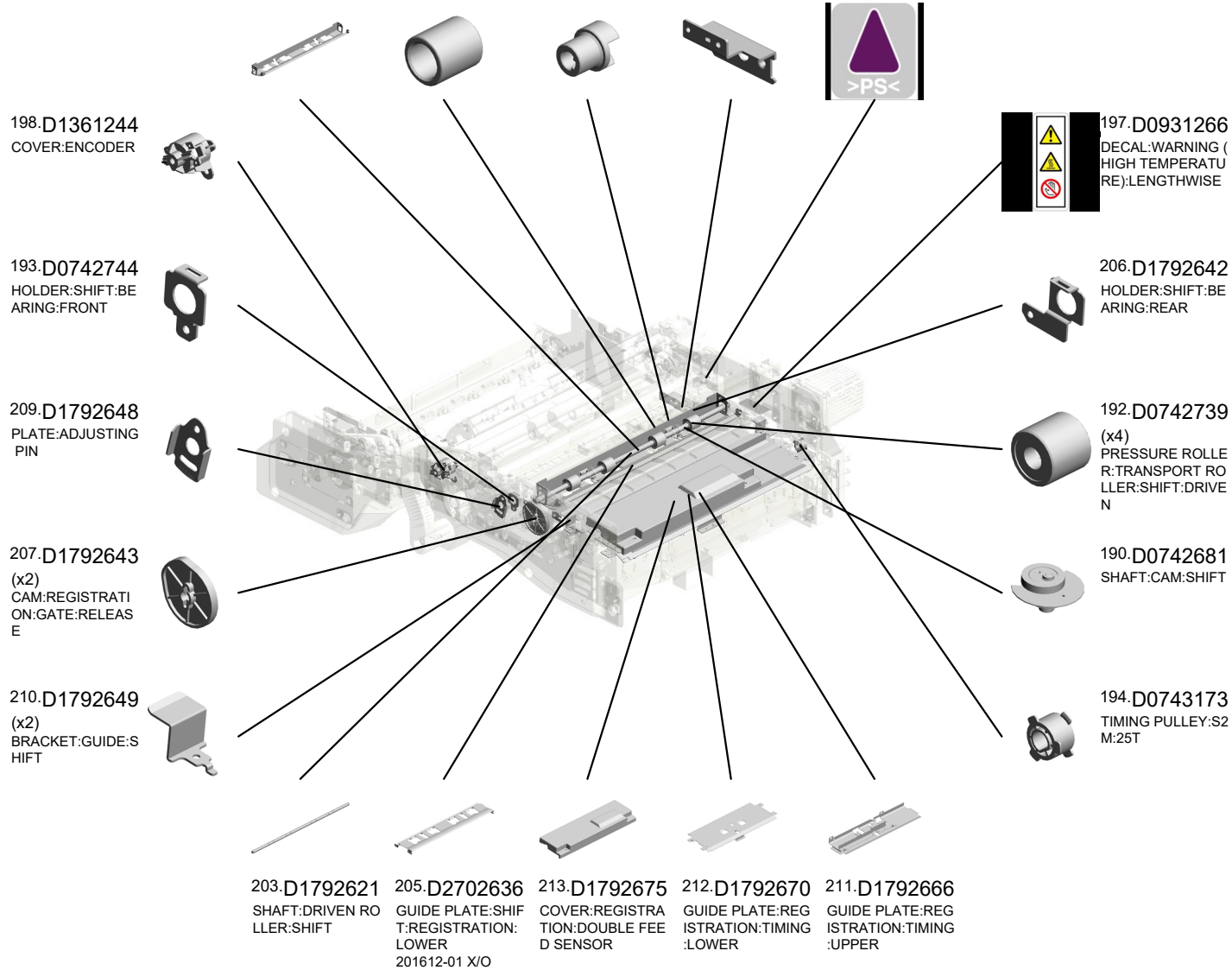
U001	U002	U003	U004	U005	U006	U007	U008	U009	U010	U011	U012	U013	U014	U015	U016	U017
------	------	------	------	------	------	------	------	------	------	------	------	------	------	------	------	------

U011_S013
 TRANSPORT UNIT:REGISTRATION:PULL OUT:ASS'Y

204.D1792631 GUIDE PLATE:SHIFT:REGISTRATION:UPPER
 199.D1364070 COLLAR:DIA10X:DI A14X:15.8
 200.D1364073 JOINT:CAM:PRESSURE:B
 202.D1791221 HOLDER:COIL SPRING:LOCK:PULL OUT
 196.D0746497 (x5) DECAL:POSITIONING DISPLAY:TCRU



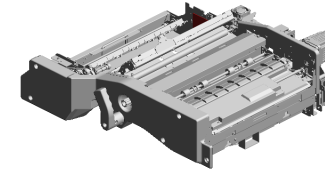
602.M2057478
 [A] TRANSPORT UNIT:REGISTRATION:PULL OUT:ASSY
 201901-02 O/O



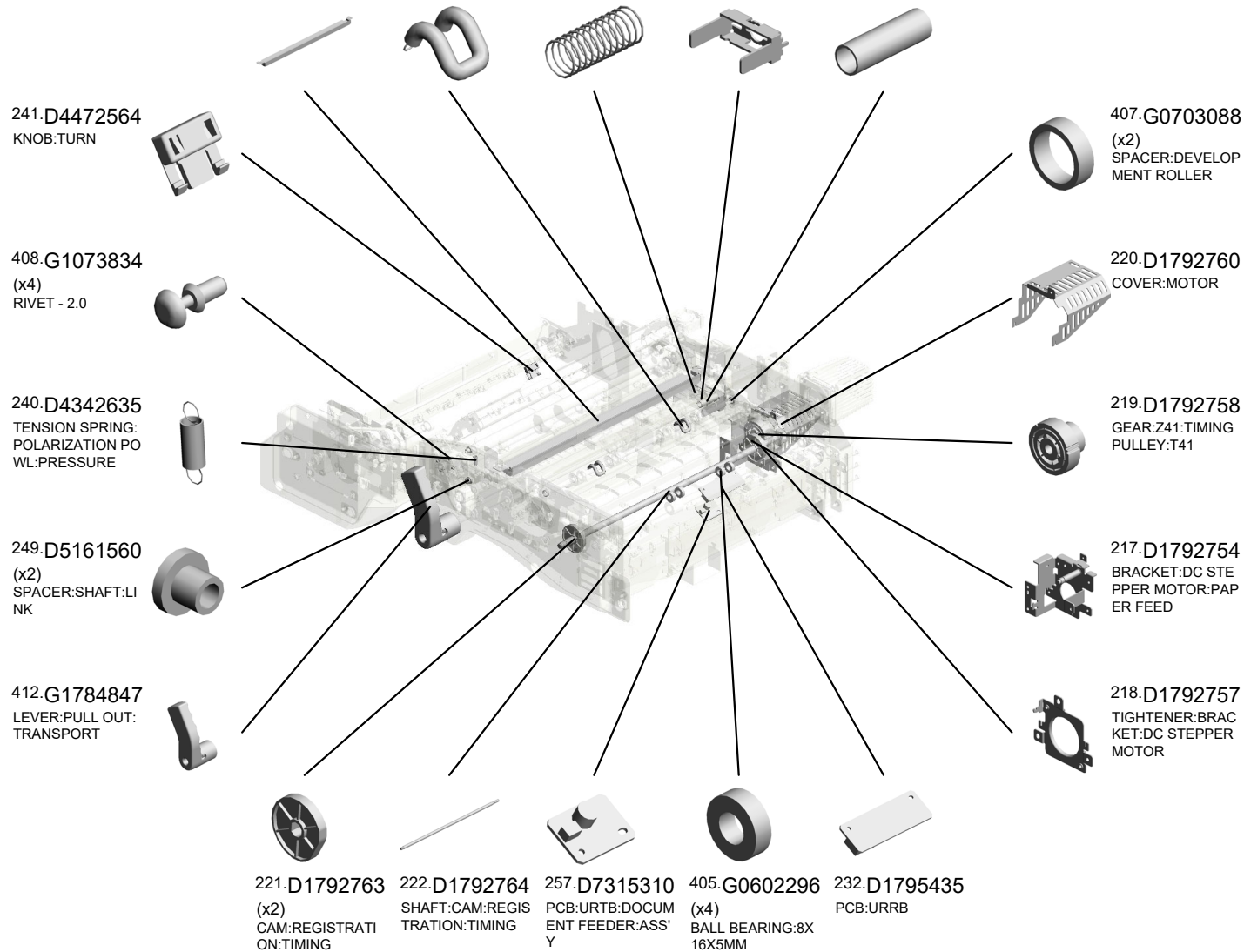
U001	U002	U003	U004	U005	U006	U007	U008	U009	U010	U011	U012	U013	U014	U015	U016	U017
------	------	------	------	------	------	------	------	------	------	------	------	------	------	------	------	------

U011_S013 TRANSPORT UNIT:REGISTRATION:PULL OUT:ASS'Y

214.D1792685 CASE:REMOVE PA
PER DUST:ASS'Y
215.D1792691 (x2)
TENSION SPRING:
PRESSURE ROLLE
R
410.G1784818 (x2)
SPRING:PULL OUT
:LOCK.EXIT
409.D1944759 BRACKET:LOCK:E
XIT
201612-03 X/O
216.D1792698 COMPRESSION SP
RING:SHIFT



602.M2057478
[A]
TRANSPORT UNIT:
REGISTRATION:PU
LL OUT:ASSY
201901-02 O/O

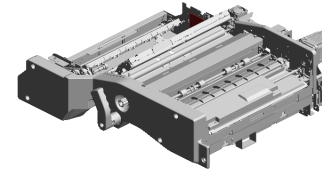


U001	U002	U003	U004	U005	U006	U007	U008	U009	U010	U011	U012	U013	U014	U015	U016	U017
------	------	------	------	------	------	------	------	------	------	------	------	------	------	------	------	------

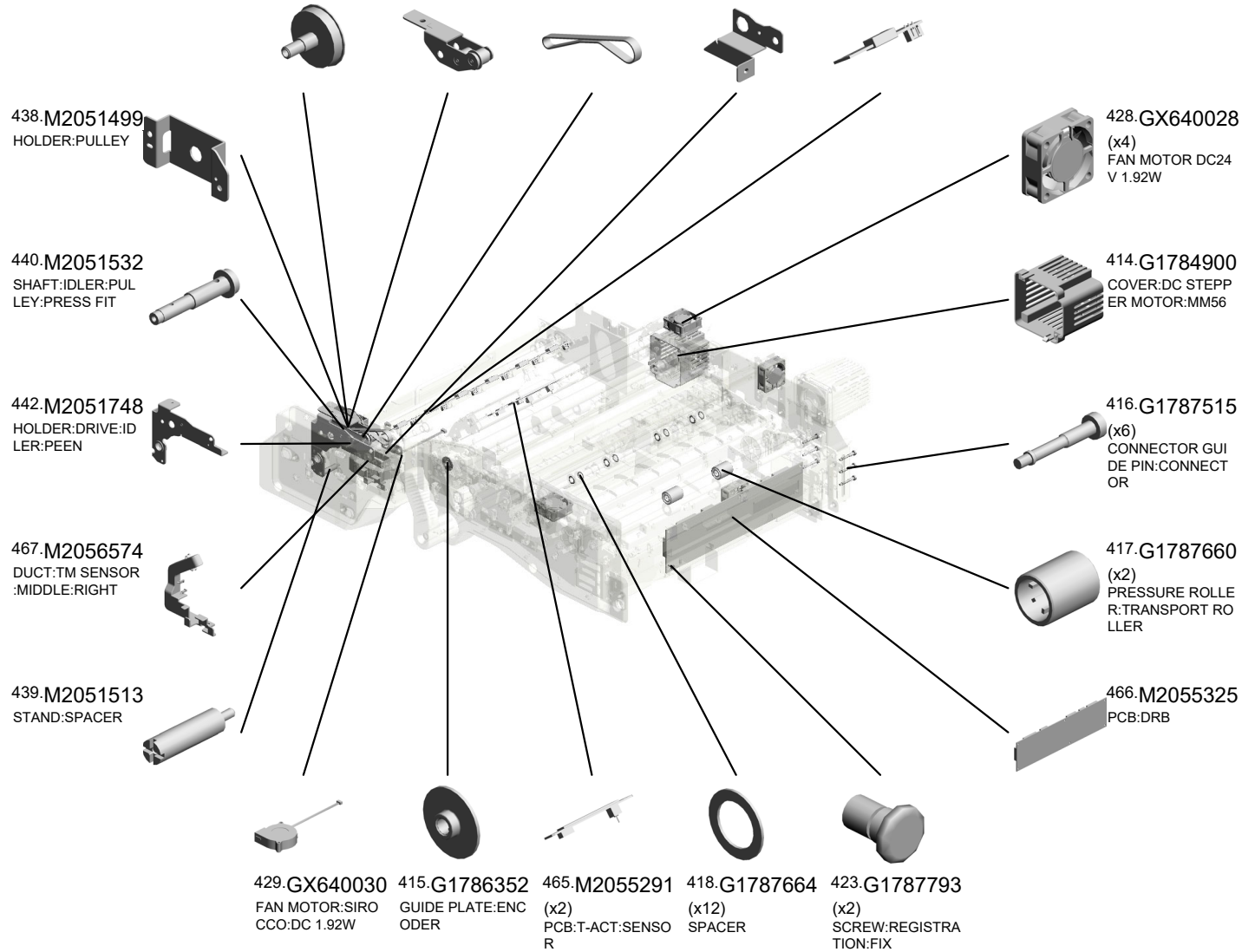
U011_S013

TRANSPORT UNIT:REGISTRATION:PULL OUT:ASS'Y

437.M2051498 441.M2051534 436.M2051497 435.M2051430 427.GW010009
 PULLEY:IDLER:75T TIGHTENER:DRIVE TIMING BELT:80S2 HOLDER:GUIDE:H (x6)
 /17T M252 ARNESS DENSITY SENSOR



602.M2057478
 [A]
 TRANSPORT UNIT:
 REGISTRATION:PU
 LL OUT:ASSY
 201901-02 O/O

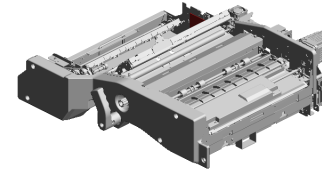


U001	U002	U003	U004	U005	U006	U007	U008	U009	U010	U011	U012	U013	U014	U015	U016	U017
------	------	------	------	------	------	------	------	------	------	------	------	------	------	------	------	------

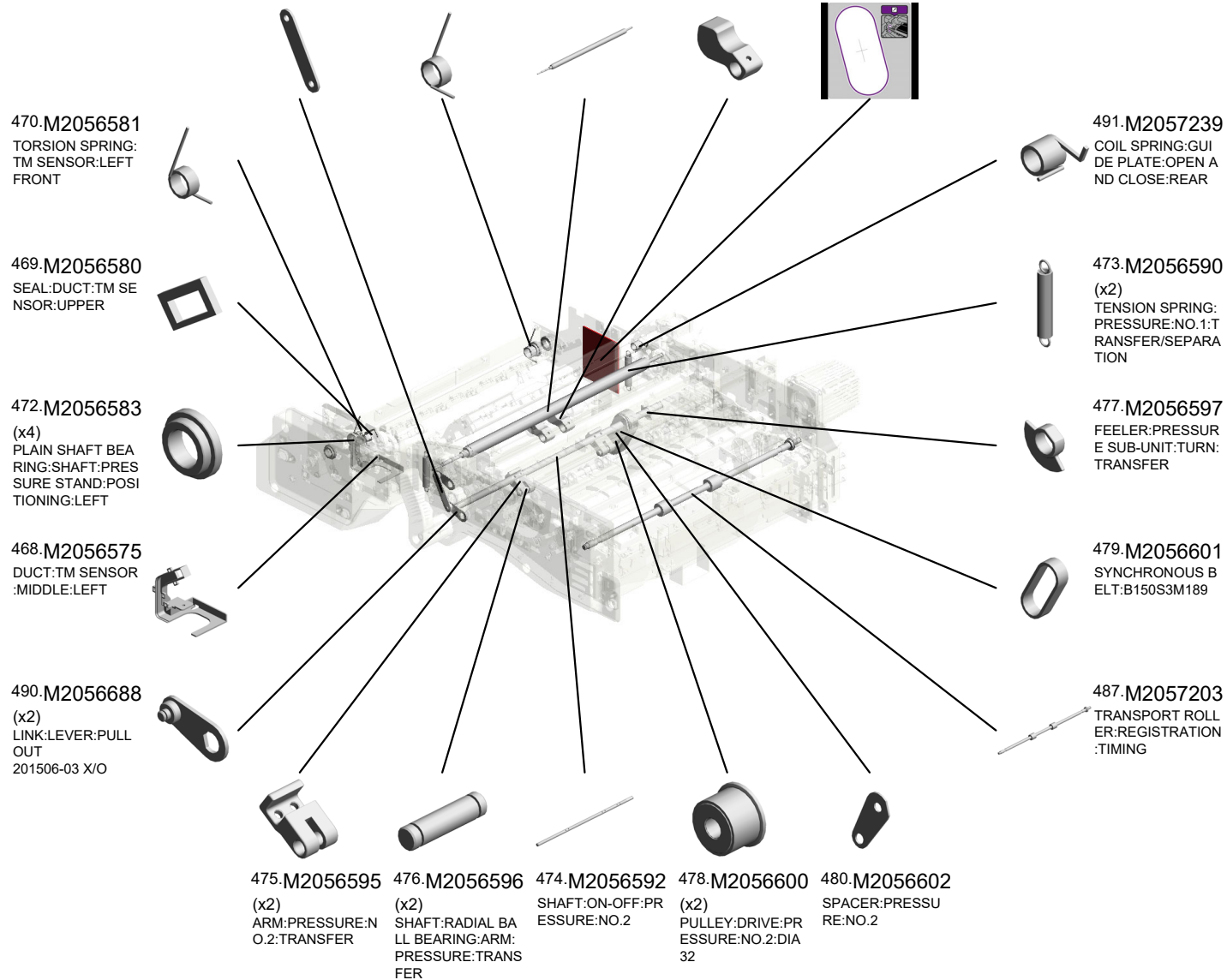
U011_S013

TRANSPORT UNIT:REGISTRATION:PULL OUT:ASS'Y

- 489.M2056687 LINK:REGISTRATION:PULL OUT:MIDDLE 201507-03 X/O
- 471.M2056582 TORSION SPRING:TM SENSOR:LEFT INNER REAR
- 488.M2057225 TIMING ROLLER:DRIVEN:TRANSFER
- 481.M2056606 (x2) CAM:ON-OFF:PRESSURE STAND
- 482.M2056623 DECAL:EXCHANGEABLE:TRANSFER UNIT:SECOND



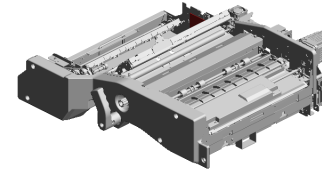
602.M2057478
[A]
 TRANSPORT UNIT:
 REGISTRATION:PU
 LL OUT:ASSY
 201901-02 O/O



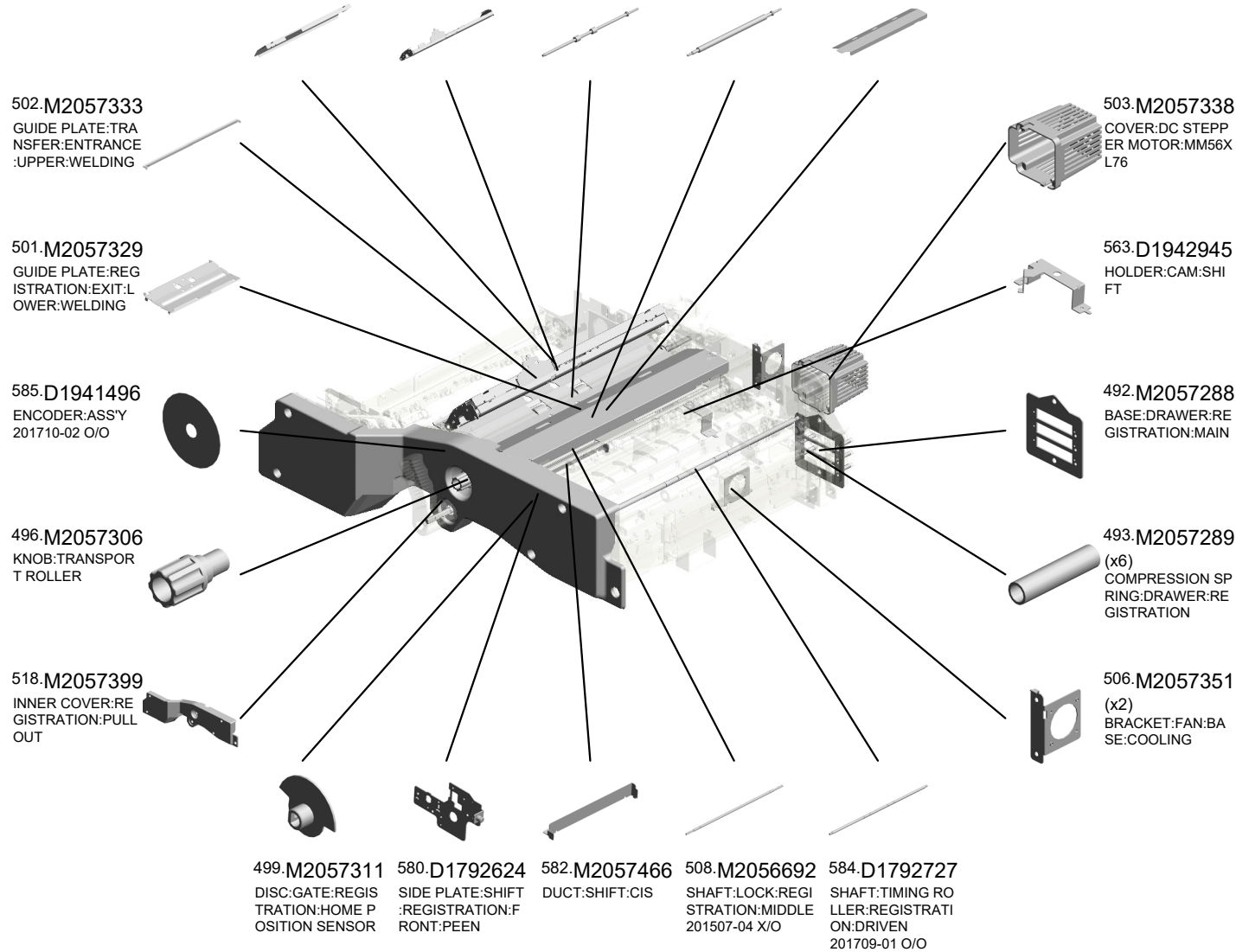
U001	U002	U003	U004	U005	U006	U007	U008	U009	U010	U011	U012	U013	U014	U015	U016	U017
------	------	------	------	------	------	------	------	------	------	------	------	------	------	------	------	------

U011_S013
 TRANSPORT UNIT:REGISTRATION:PULL OUT:ASS'Y

- 510.M2057370 COVER:REGISTRATION:PULL OUT:GUIDE PLATE:OPEN AND CLOSE
- 507.M2057362 GUIDE:OPEN AND CLOSE:REGISTRATION
- 504.M2057342 TRANSPORT ROLLER:TIMING:TRANSFER
- 505.M2057344 TRANSPORT ROLLER:REMOVE PAPER DUST:DRIVE ROLLER
- 509.M2057369 COVER:REGISTRATION:REMOVE PAPER DUST:UPPER



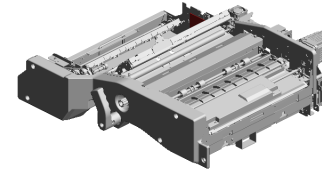
602.M2057478
 [A]
 TRANSPORT UNIT:REGISTRATION:PULL OUT:ASSY
 201901-02 O/O



U001	U002	U003	U004	U005	U006	U007	U008	U009	U010	U011	U012	U013	U014	U015	U016	U017
------	------	------	------	------	------	------	------	------	------	------	------	------	------	------	------	------

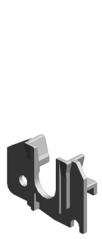
U011_S013
 TRANSPORT UNIT:REGISTRATION:PULL OUT:ASS'Y

600.G0603293 (x12) SPACER:6.1X8.5X0.5
 587.M2056565 (x2) STOPPER:BELT UNIT:PRESSURE STAND:INNER
 621.M0EB4671 (x2) RADIAL BALL BEARING:REGISTRATION:DRIVEN:REAR 202303-01 O/O



602.M2057478
 [A] TRANSPORT UNIT:REGISTRATION:PULL OUT:ASS'Y 201901-02 O/O

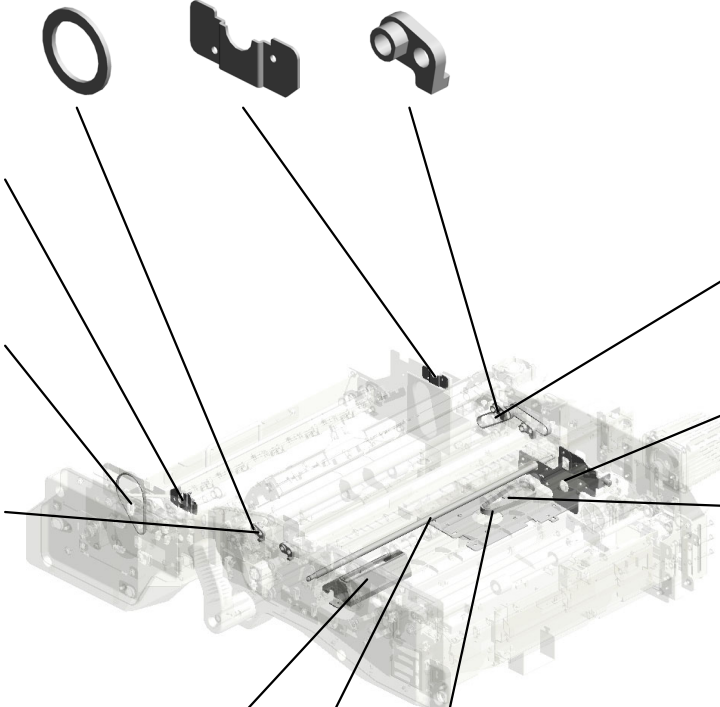
588.M2056585
 STOPPER:BELT UNIT:PRESSURE STAND:OUTER



610.D6882282
 SYNCHRONOUS BELT:ELT:B40S2M200 202102-01 O/O



620.M0EB4670 (x2)
 RADIAL BALL BEARING:REGISTRATION:DRIVEN:FRONT 202303-02 O/O



616.07924076C (x2)
 SYNCHRONOUS BELT:ELT:60S2M152:CR 202112-01 O/O



586.D1792627
 SIDE PLATE:SHIFT REGISTRATION:REAR:PEEN



609.AA043727
 SYNCHRONOUS BELT:ELT:80S2M190 202011-08 O/O



596.D2702786
 DUCT:FAN:CONTACT IMAGE SENSOR 201809-01 O/O



594.D2702647
 SHAFT:SHIFT 201807-05 O/O



619.D0BX2679
 HOLDER:DC STEP MOTOR:SHIFT 202303-06 O/O

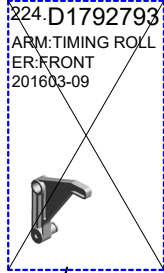


<p>H5194238 [B] SPACER:ROLLER:CONNECTING 201810-06 X/O</p>	<p>M2057400 [A] TRANSPORT UNIT:REGISTRATION:PULL OUT:ASS'Y 201901-02 O/O</p>

U001	U002	U003	U004	U005	U006	U007	U008	U009	U010	U011	U012	U013	U014	U015	U016	U017
------	------	------	------	------	------	------	------	------	------	------	------	------	------	------	------	------

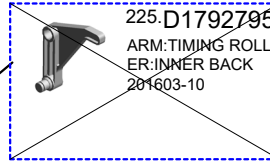
U011_S013_S001
 ARM:REGISTRATION:TIMING:ASS'Y

44.07200060E
 (x6)
 RETAINING RING -
 M6

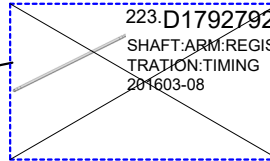


224.D1792793
 ARM:TIMING ROLL
 ER:FRONT
 201603-09

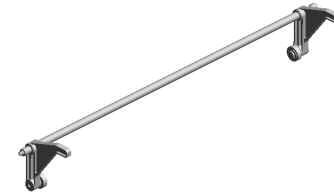
53.07403808
 (x2)
 BALL BEARING - 8
 X16X5MM



225.D1792795
 ARM:TIMING ROLL
 ER:INNER BACK
 201603-10



223.D1792792
 SHAFT:ARM:REGIS
 TRATION:TIMING
 201603-08



601.D2702771
 [A]
 ARM:REGISTRATI
 ON:TIMING:ASS'Y
 201812-06 O/O



D1792771
 [A]
 ARM:REGISTRATI
 ON:TIMING:ASS'Y
 201812-06 O/O

U001	U002	U003	U004	U005	U006	U007	U008	U009	U010	U011	U012	U013	U014	U015	U016	U017
------	------	------	------	------	------	------	------	------	------	------	------	------	------	------	------	------

U011_S013_S002
REGISTRATION ROLLER:GATE:ASS'Y

45.07200080E
(x4)
RETAINING RING -
M8



495.M2057305
REGISTRATION R
OLLER:GATE:ASS'
Y

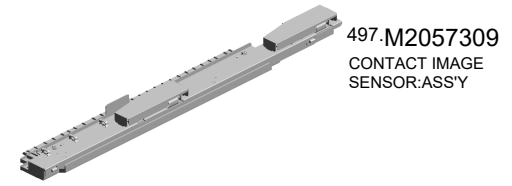


U001	U002	U003	U004	U005	U006	U007	U008	U009	U010	U011	U012	U013	U014	U015	U016	U017
------	------	------	------	------	------	------	------	------	------	------	------	------	------	------	------	------

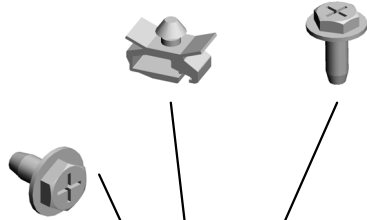
U011_S013_S003
CONTACT IMAGE SENSOR:ASS'Y

71.11050511 (x3)
HARNESS CLAMP - LWS-0306ZC

17.04503008N (x2)
TAPPING SCREW - M3X8



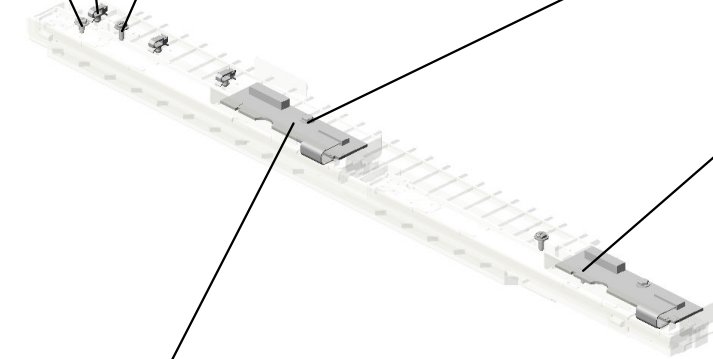
21.04513006N
TAPPING SCREW - 3X6



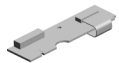
9.03603006N (x2)
SCREW - M3X6



120.AA143848
STEPPED SCREW - M3



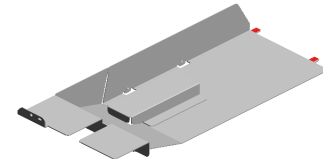
234.D1945480 (x2)
PCB:CRB



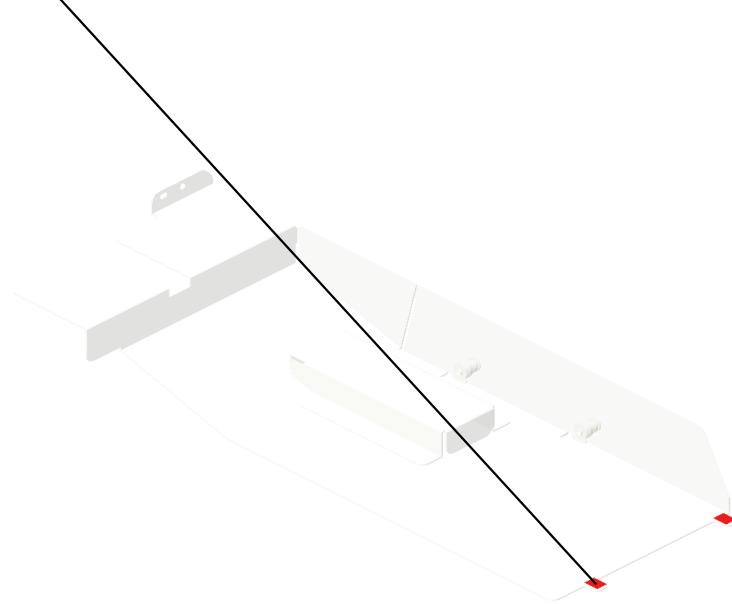
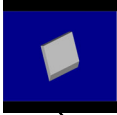
U001	U002	U003	U004	U005	U006	U007	U008	U009	U010	U011	U012	U013	U014	U015	U016	U017
------	------	------	------	------	------	------	------	------	------	------	------	------	------	------	------	------

U011_S013_S004
COVER:REGISTRATION:LOWER:ASS'Y

561.M1092305
(x4)
SPONGE:SIDE:LOW
WER
201507-07



511.M2057379
COVER:REGISTRA
TION:LOWER:ASS'
Y



U001	U002	U003	U004	U005	U006	U007	U008	U009	U010	U011	U012	U013	U014	U015	U016	U017
------	------	------	------	------	------	------	------	------	------	------	------	------	------	------	------	------

U011_S014

GUIDE PLATE:REGISTRATION:RIGHT:TURN

- 9.03603006N (x2) SCREW - M3X6
- 521.M2057404 LINK:GUIDE PLATE:OPEN AND CLOSE:UN LOCK
- 549.M2057491 COIL SPRING:GRIP:OPEN AND CLOSE:LOWER:NO.3
- 107.AA084059 (x2) BALL BEARING HOLDER
- 531.M2057437 SHAFT:LOCK:GUIDE PLATE:MIDDLE



512.M2057383
GUIDE PLATE:REGISTRATION:RIGHT:TURN

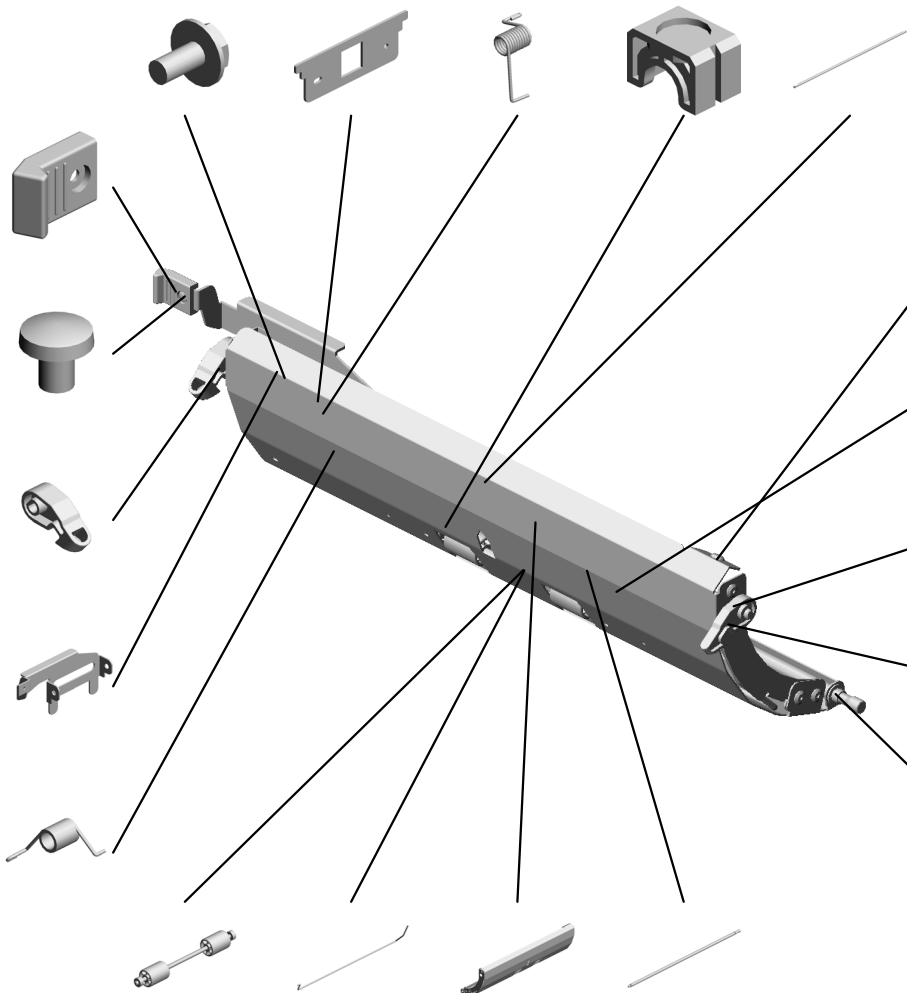
130.AG051141
RELEASE LEVER

3.03530040N
SCREW - M3X4

547.M2057488
LATCH:GUIDE PLATE:LOCK:RELEASE

532.M2057438
GRIP:REGISTRATION:RIGHT:TURN

543.M2057460
COIL SPRING:GUIDE PLATE:REAR:REGISTRATION:RIGHT



43.07200040E (x2)
RETAINING RING - M4

233.D1944804
RUBBER FOOT:TM-96-1

411.G1784822 (x2)
SPRING:PRESSURE:0.8N:DIA0.65

104.AA082101 (x2)
BUSHING - 6X10X6

548.M2057489
LATCH:GUIDE PLATE:LOCK:RELEASE:SIDE

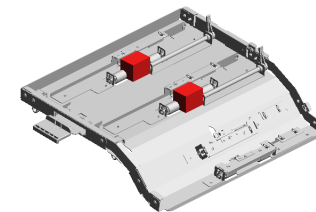
44.07200060E (x3)
RETAINING RING - M6

- 560.M3791627 TRANSPORT ROLLER:DRIVEN
- 513.M2057384 TORSION BAR SPRING:REGISTRATION:GUIDE PLATE:TURN
- 524.M2057420 GUIDE PLATE:REGISTRATION:TURN:CORE:ASS'Y
- 483.M2057112 SHAFT:GUIDE PLATE:TURN:RIGHT LOWER

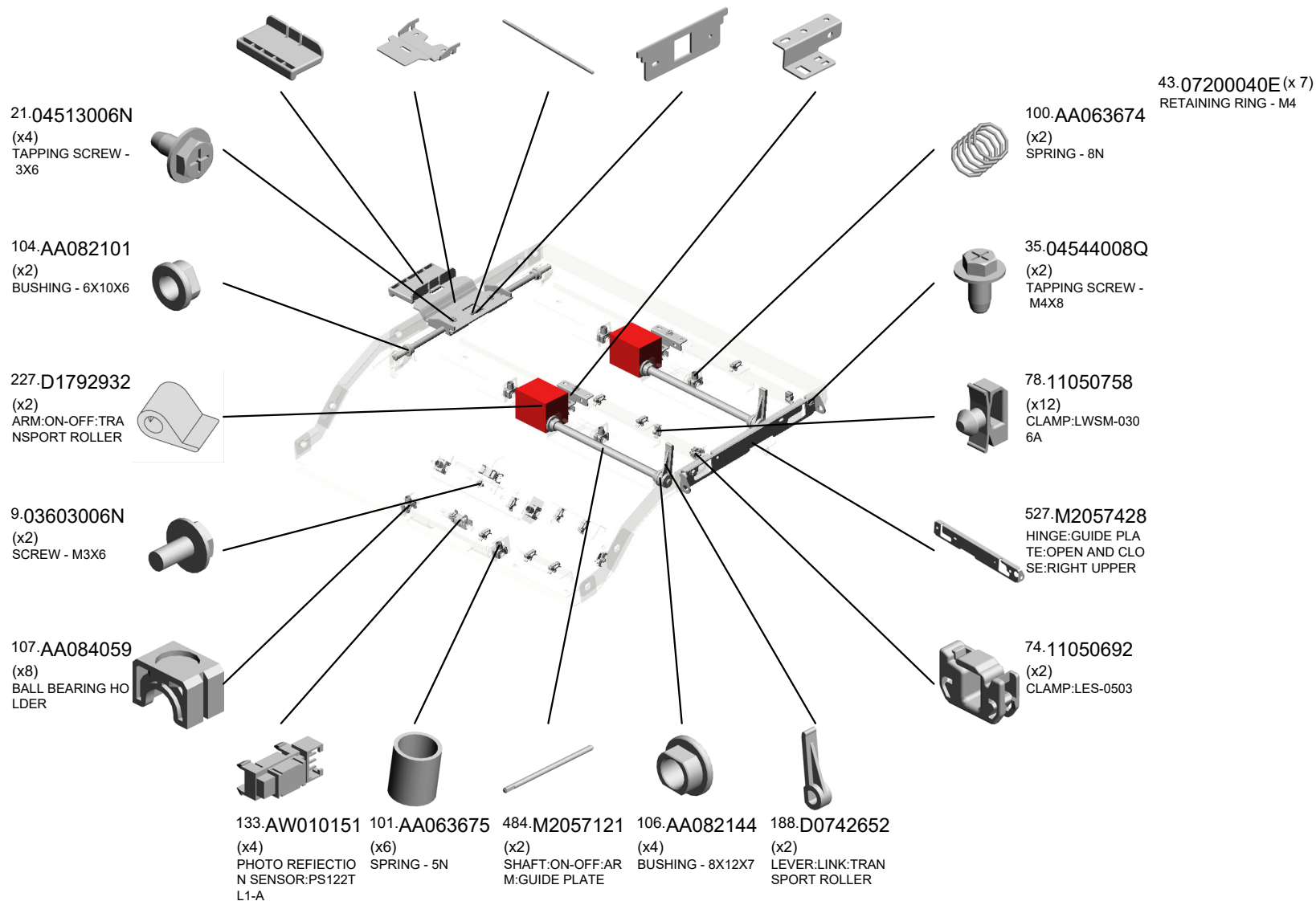
U001	U002	U003	U004	U005	U006	U007	U008	U009	U010	U011	U012	U013	U014	U015	U016	U017
------	------	------	------	------	------	------	------	------	------	------	------	------	------	------	------	------

U011_S015
GUIDE PLATE:REGISTRATION:RIGHT UPPER:ASS'Y

- 520.M2057403 GRIP:PICK-UP PAPER JAM:TRANSPORT SUB-UNIT:OPEN AND CLOSE
- 535.M2057441 GRIP:GUIDE PLATE:TRANSPORT SUB-UNIT:OPEN AND CLOSE
- 534.M2057440 SHAFT:GRIP:GUIDE PLATE:RIGHT UPPER
- 521.M2057404 LINK:GUIDE PLATE:OPEN AND CLOSE:UN LOCK
- 463.M2054681 (x2) HOLDER:SENSOR:DUPLIX:ENTRANCE:NO.2



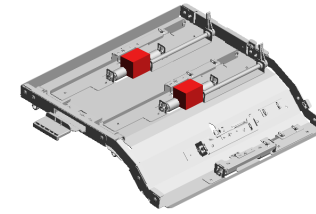
- 514.M2057385 GUIDE PLATE:REGISTRATION:RIGHT UPPER:ASSY



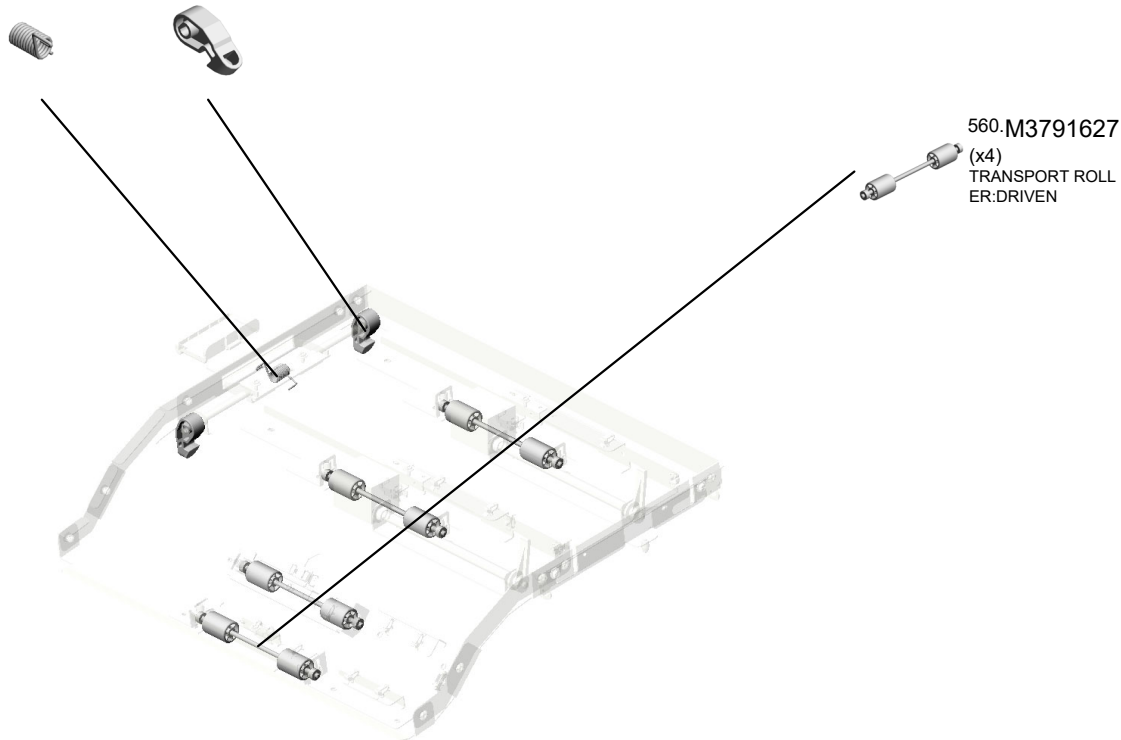
U001	U002	U003	U004	U005	U006	U007	U008	U009	U010	U011	U012	U013	U014	U015	U016	U017
------	------	------	------	------	------	------	------	------	------	------	------	------	------	------	------	------

U011_S015
GUIDE PLATE:REGISTRATION:RIGHT UPPER:ASS'Y

545.M2057484 547.M2057488
COIL SPRING:GRIP (x2)
:OPEN AND CLOSE LATCH:GUIDE PLA
:UPPER TE:LOCK:RELEASE



514.M2057385
GUIDE PLATE:REG
ISTRATION:RIGHT
UPPER:ASS'Y

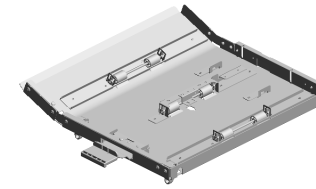


560.M3791627
(x4)
TRANSPORT ROLL
ER:DRIVEN

U001	U002	U003	U004	U005	U006	U007	U008	U009	U010	U011	U012	U013	U014	U015	U016	U017
------	------	------	------	------	------	------	------	------	------	------	------	------	------	------	------	------

U011_S016
GUIDE PLATE:REGISTRATION:RIGHT LOWER:ASS'Y

233.D1944804 (x2) RUBBER FOOT:TM-96-1
 545.M2057484 COIL SPRING:GRIP:OPEN AND CLOSE:UPPER
 533.M2057439 SHAFT:GRIP:GUIDE PLATE:RIGHT LOWER
 521.M2057404 LINK:GUIDE PLATE:OPEN AND CLOSE:UN LOCK

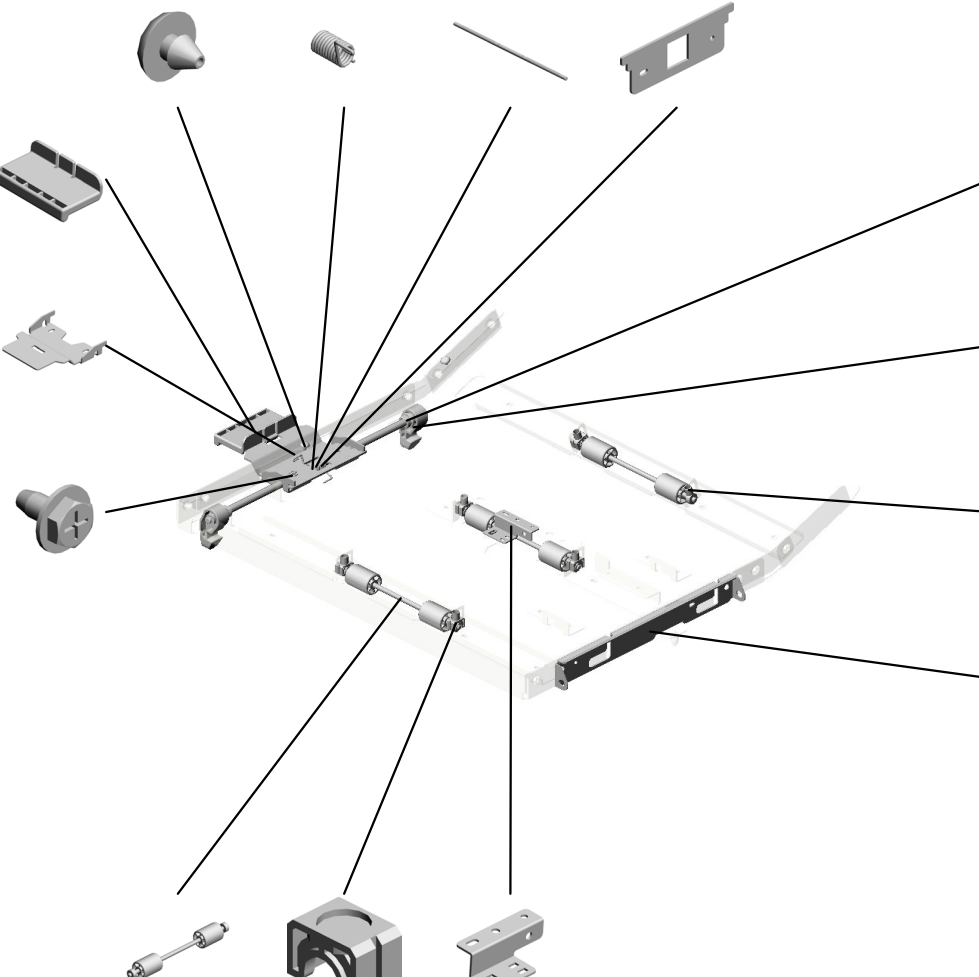


515.M2057386
GUIDE PLATE:REGISTRATION:RIGHT LOWER:ASS'Y

520.M2057403
GRIP:PICK-UP PAPER JAM:TRANSPORT SUB-UNIT:OPEN AND CLOSE

535.M2057441
GRIP:GUIDE PLATE:TRANSPORT SUB-UNIT:OPEN AND CLOSE

21.04513006N
TAPPING SCREW - 3X6



9.03603006N (x 2) SCREW - M3X6
 104.AA082101 (x2) BUSHING - 6X10X6
 35.04544008Q (x 4) TAPPING SCREW - M4X8
 43.07200040E (x 2) RETAINING RING - M4

547.M2057488 (x2) LATCH:GUIDE PLATE:LOCK:RELEASE

101.AA063675 (x6) SPRING - 5N

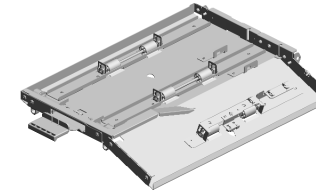
530.M2057436
HINGE:GUIDE PLATE:OPEN AND CLOSE:RIGHT LOWER

560.M3791627 (x3) TRANSPORT ROLLER:DRIVEN
 107.AA084059 (x6) BALL BEARING HOLDER
 463.M2054681 HOLDER:SENSOR:DUPLX:ENTRANCE:NO.2

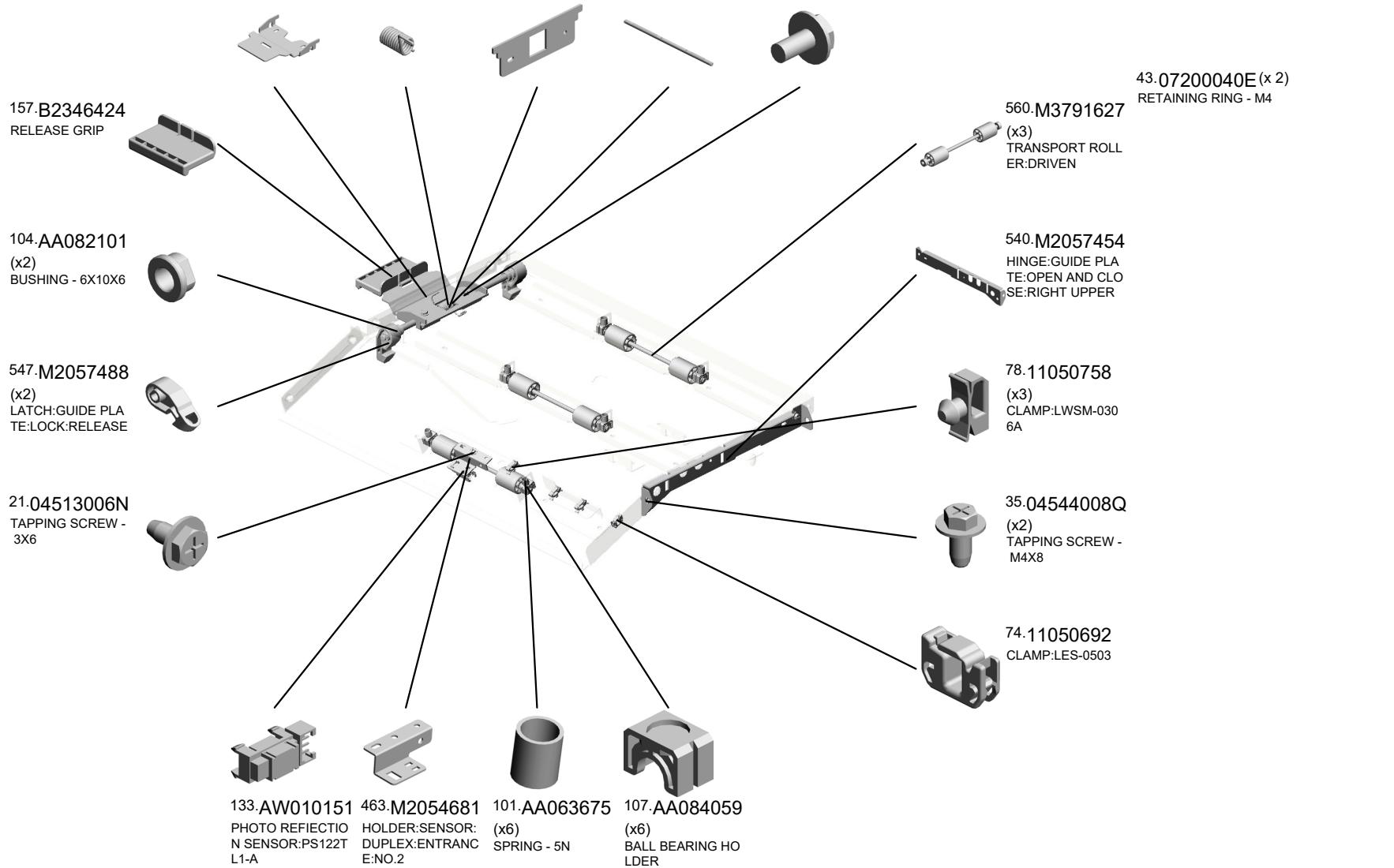
U001	U002	U003	U004	U005	U006	U007	U008	U009	U010	U011	U012	U013	U014	U015	U016	U017
------	------	------	------	------	------	------	------	------	------	------	------	------	------	------	------	------

U011_S017
GUIDE PLATE:REGISTRATION:LEFT UPPER:ASS'Y

535.M2057441 GRIP:GUIDE PLATE:TRANSPORT SUB-UNIT:OPEN AND CLOSE
 545.M2057484 COIL SPRING:GRIP:OPEN AND CLOSE:UPPER
 521.M2057404 LINK:GUIDE PLATE:OPEN AND CLOSE:UN LOCK
 541.M2057455 SHAFT:GRIP:GUIDE PLATE:LEFT:MIDDLE
 9.03603006N (x2) SCREW - M3X6



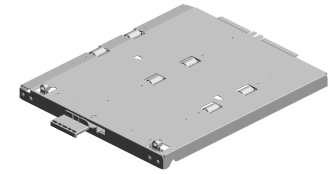
516.M2057388 GUIDE PLATE:REGISTRATION:LEFT UPPER:ASS'Y



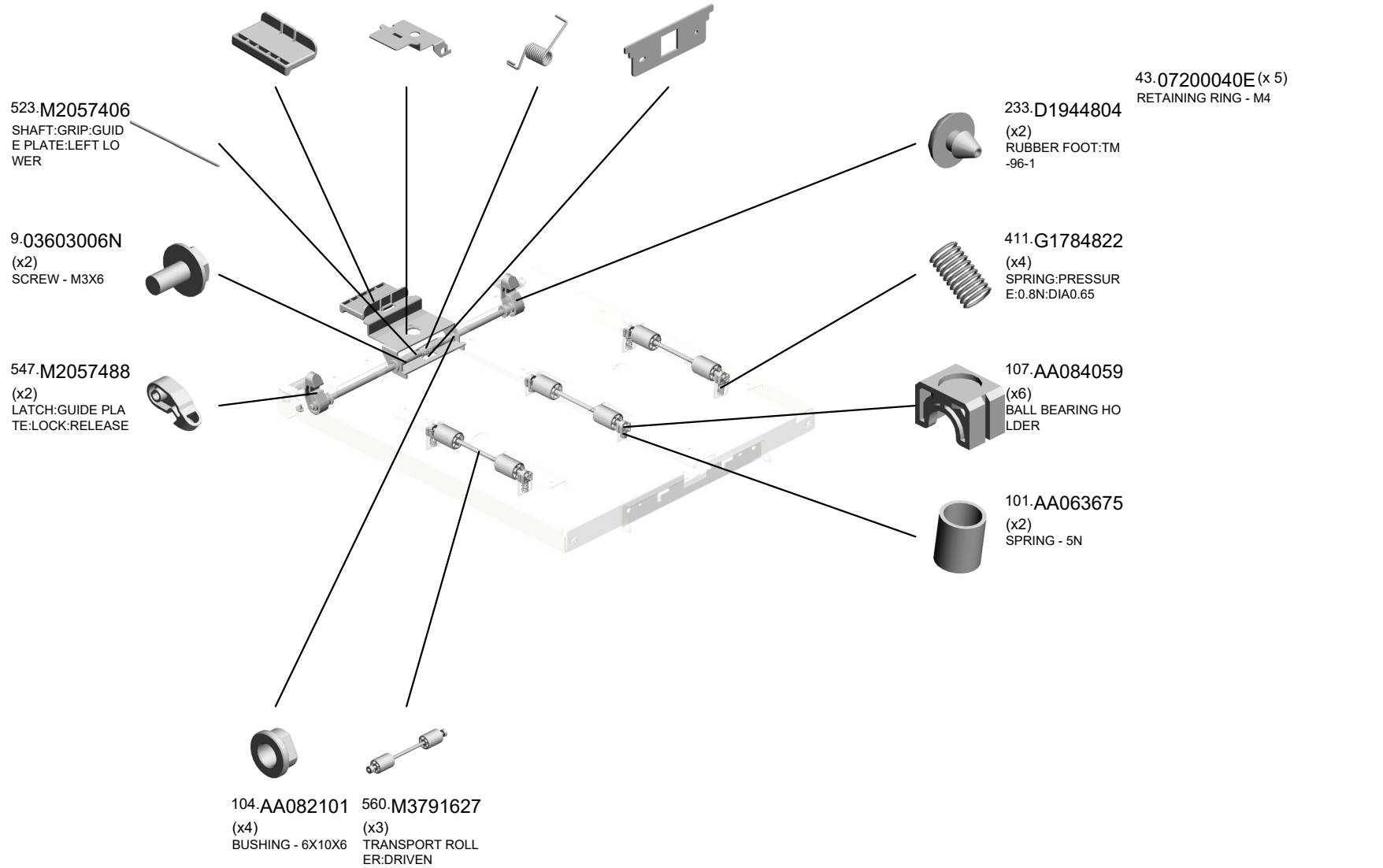
U001	U002	U003	U004	U005	U006	U007	U008	U009	U010	U011	U012	U013	U014	U015	U016	U017
------	------	------	------	------	------	------	------	------	------	------	------	------	------	------	------	------

U011_S018
GUIDE PLATE:REGISTRATION:LEFT LOWER:ASS'Y

- 520.M2057403 GRIP:PICK-UP PAPER JAM:TRANSPORT SUB-UNIT:OPEN AND CLOSE
- 522.M2057405 GRIP:GUIDE PLATE:REGISTRATION:LEFT LOWER
- 546.M2057486 COIL SPRING:GRIP:OPEN AND CLOSE:LOWER
- 521.M2057404 LINK:GUIDE PLATE:OPEN AND CLOSE:UN LOCK



517.M2057389
GUIDE PLATE:REGISTRATION:LEFT LOWER:ASS'Y



U001	U002	U003	U004	U005	U006	U007	U008	U009	U010	U011	U012	U013	U014	U015	U016	U017
------	------	------	------	------	------	------	------	------	------	------	------	------	------	------	------	------

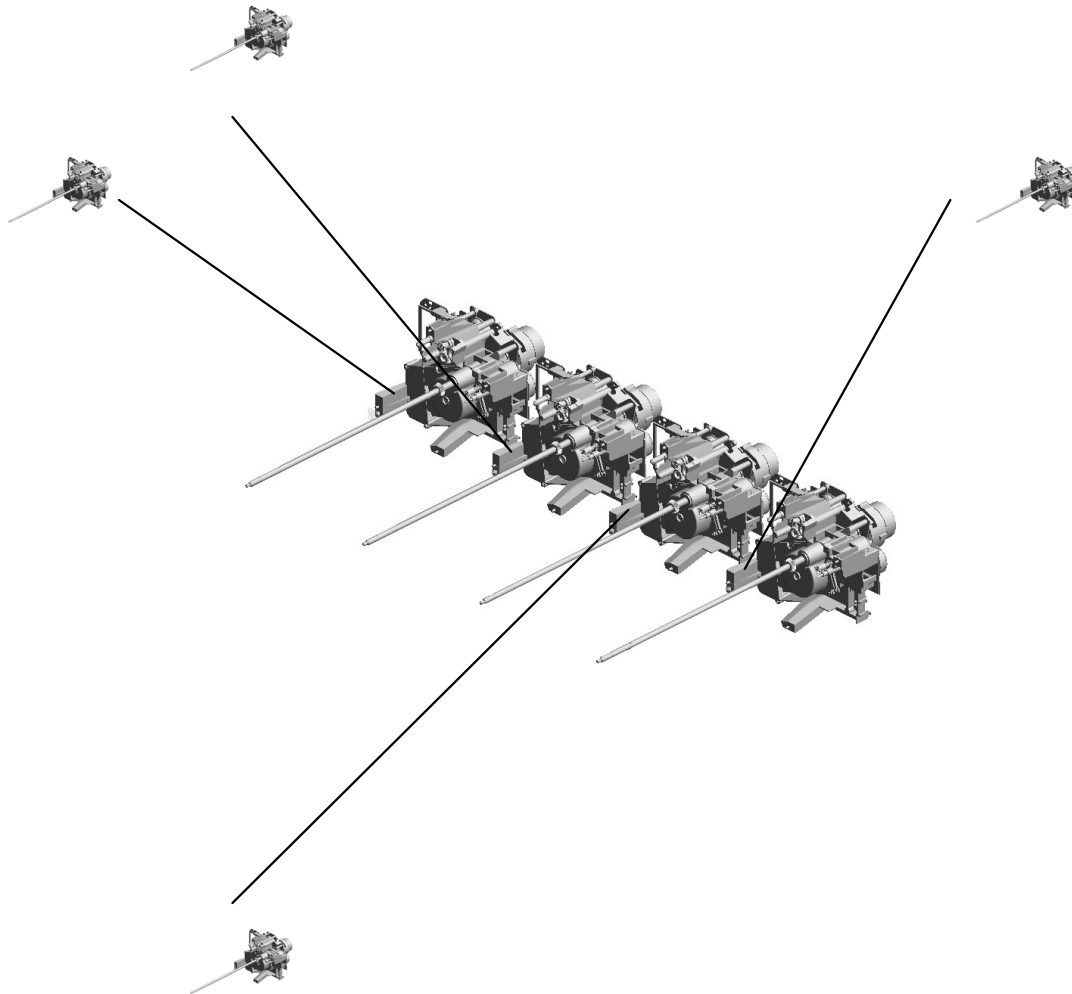
U012.MAIN DRIVE:RIGHT

U012 S002
M2051333
DRIVE UNIT:IMAGING:ASS'Y

U012 S001
M2051333
DRIVE UNIT:IMAGING:ASS'Y

U012 S004
M2051333
DRIVE UNIT:IMAGING:ASS'Y

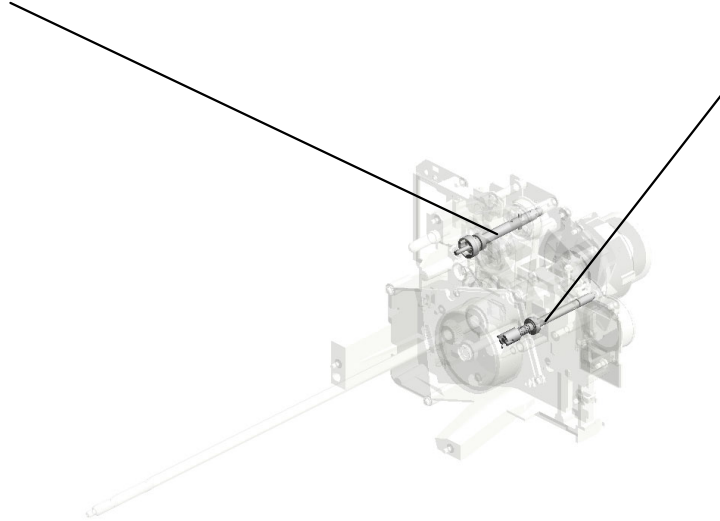
U012 S003
M2051333
DRIVE UNIT:IMAGING:ASS'Y



U001	U002	U003	U004	U005	U006	U007	U008	U009	U010	U011	U012	U013	U014	U015	U016	U017
------	------	------	------	------	------	------	------	------	------	------	------	------	------	------	------	------

U012_S001.DRIVE UNIT:IMAGING:ASS'Y

U012 S001 S002
M2051347
SHAFT:DRIVE:DEVELOPME
T SLEEVE:ASS'Y



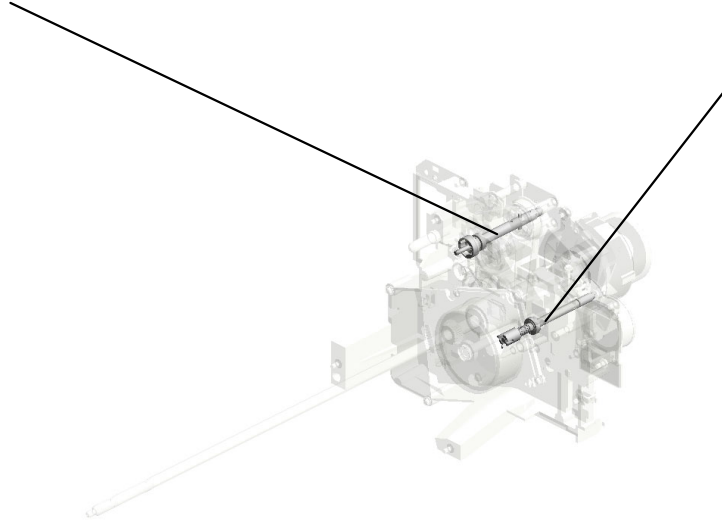
U012 S001 S001
M2051308
SHAFT:DRIVE:CLEANER:ASS
'Y



U001	U002	U003	U004	U005	U006	U007	U008	U009	U010	U011	U012	U013	U014	U015	U016	U017
------	------	------	------	------	------	------	------	------	------	------	------	------	------	------	------	------

U012_S002.DRIVE UNIT:IMAGING:ASS'Y

U012 S002 S002
M2051347
SHAFT:DRIVE:DEVELOPME
T SLEEVE:ASS'Y

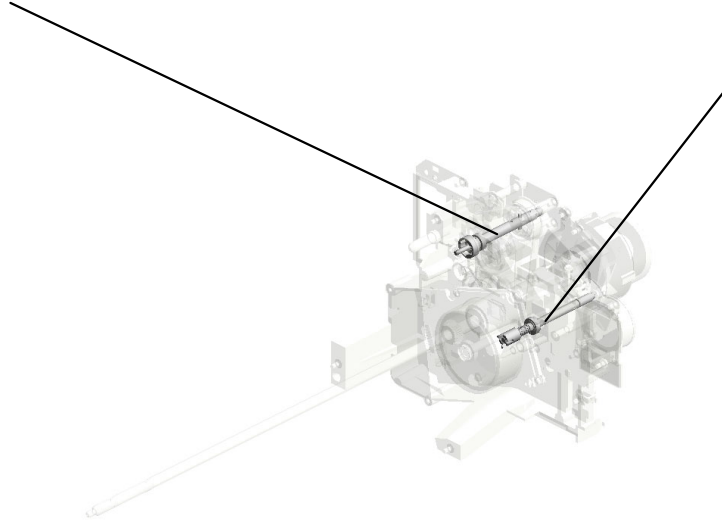


U012 S002 S001
M2051308
SHAFT:DRIVE:CLEANER:ASS
'Y

U001	U002	U003	U004	U005	U006	U007	U008	U009	U010	U011	U012	U013	U014	U015	U016	U017
------	------	------	------	------	------	------	------	------	------	------	------	------	------	------	------	------

U012_S003.DRIVE UNIT:IMAGING:ASS'Y

U012 S003 S002
M2051347
SHAFT:DRIVE:DEVELOPME
T SLEEVE:ASS'Y



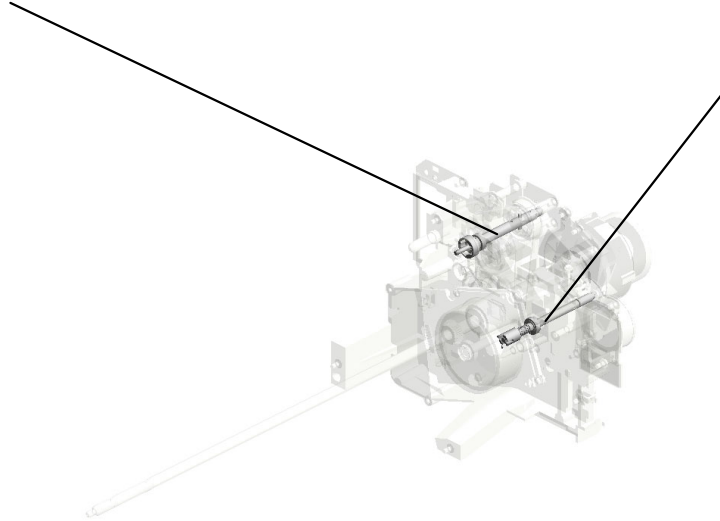
U012 S003 S001
M2051308
SHAFT:DRIVE:CLEANER:ASS
'Y



U001	U002	U003	U004	U005	U006	U007	U008	U009	U010	U011	U012	U013	U014	U015	U016	U017
------	------	------	------	------	------	------	------	------	------	------	------	------	------	------	------	------

U012_S004.DRIVE UNIT:IMAGING:ASS'Y

U012 S004 S002
M2051347
SHAFT:DRIVE:DEVELOPME
T SLEEVE:ASS'Y

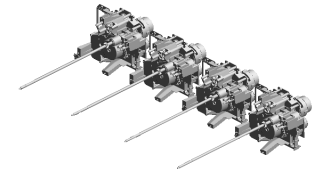
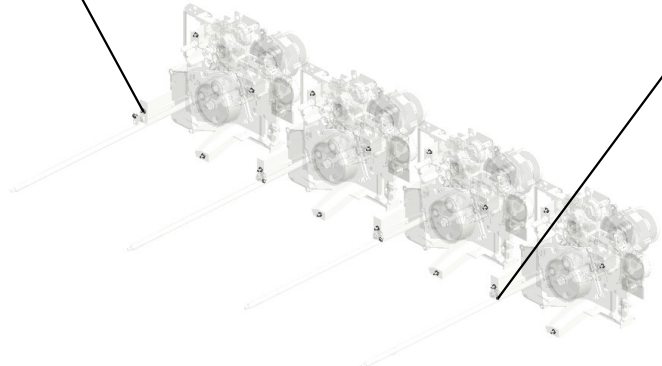
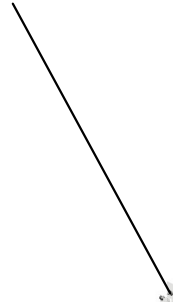


U012 S004 S001
M2051308
SHAFT:DRIVE:CLEANER:ASS
'Y

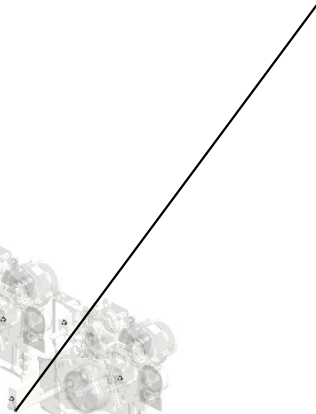
U001	U002	U003	U004	U005	U006	U007	U008	U009	U010	U011	U012	U013	U014	U015	U016	U017
------	------	------	------	------	------	------	------	------	------	------	------	------	------	------	------	------

U012
MAIN DRIVE:RIGHT

3-03604006N
(x16)
SCREW - M4X6



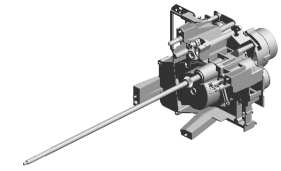
1-03603006N
(x4)
SCREW - M3X6



U001	U002	U003	U004	U005	U006	U007	U008	U009	U010	U011	U012	U013	U014	U015	U016	U017
------	------	------	------	------	------	------	------	------	------	------	------	------	------	------	------	------

U012_S001
DRIVE UNIT:IMAGING:ASS'Y

- 19.A0793626 (x2) STEPPED SCREW - SWING CLEANING
- 7.06330120G (x2) PARALLEL PIN - 3X12
- 16.11050724 (x3) CLAMPS:WES-1210
- 8.06330160G PARALLEL PIN - 3X16MM
- 22.D1791266 PULLEY:DRIVE:DEVELOPMENT ROLLER:59T



45.M2051333
[A]
DRIVE UNIT:IMAGING:ASS'Y
201810-04 O/O

9.07080040N
WASHER - DIA4



10.07200030E
RETAINING RING - M3



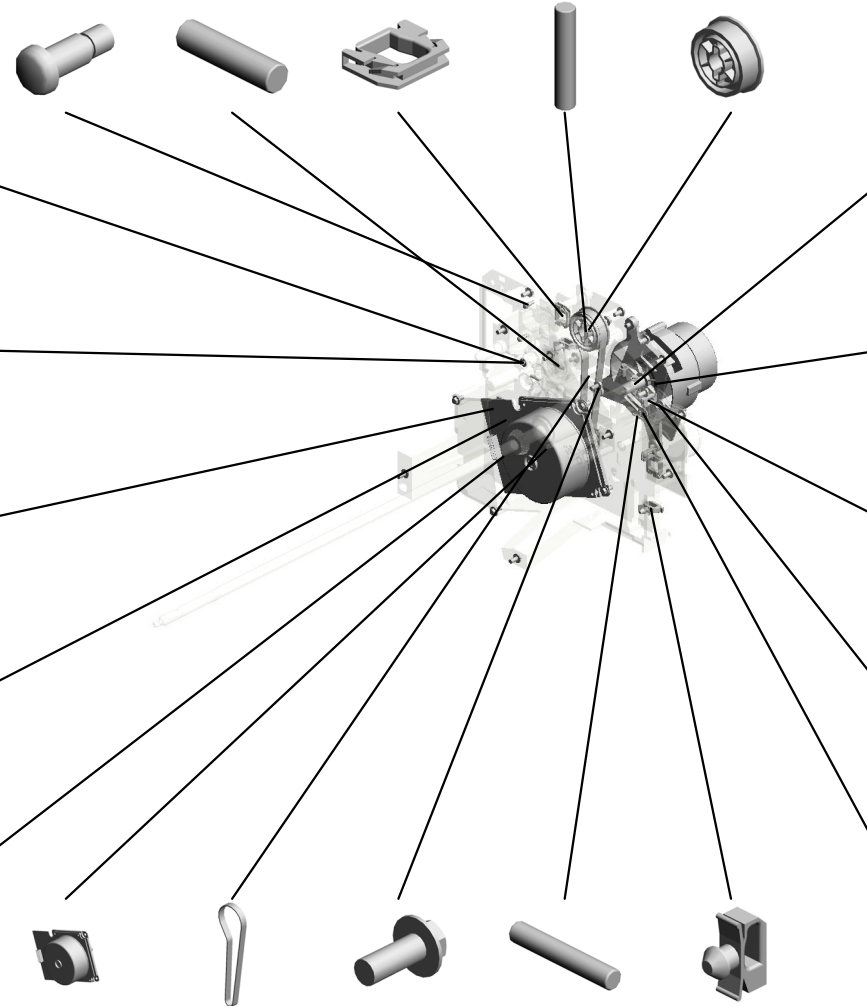
18.11050761
(x4)
CLAMP:LWS-0511A



4.03604008N
(x21)
SCREW - M4X8



14.11050410
CARD SPACER - 9.4MM



2.03603014N
SCREW - M3X14



18.11050761
CLAMP:LWS-0511A



20.AX061315
DC MOTOR:DIA65:24V:23.5W



1.03603006N(x 3)
SCREW - M3X6

15.11050723
(x2)
CLAMPS:WES-0507



13.09544008N
(x3)
SCREW - M4X8



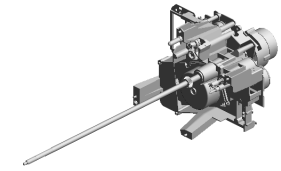
11.07200060E
RETAINING RING - M6



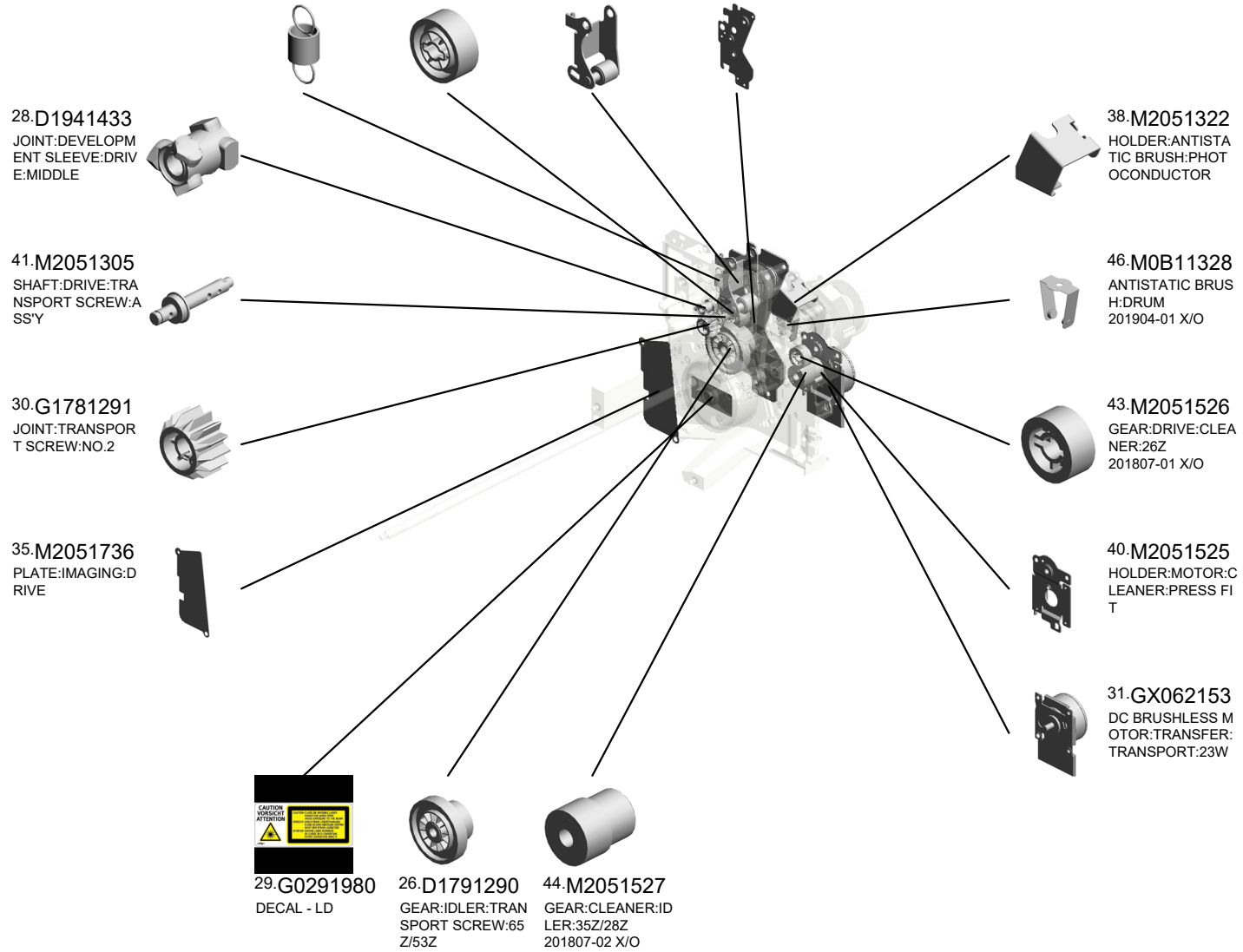
- 21.D1791252 DC MOTOR:DIA82.2:63.7W:BRUSHLESS
- 23.D1791268 SYNCHRONOUS BELT:80S2M300
- 5.03604010N (x3) SCREW:M4X10
- 6.06320120G PARALLEL PIN - 2X12
- 17.11050758 CLAMP:LWSM-0306A

U012_S001
DRIVE UNIT:IMAGING:ASS'Y

- 25.D1791275 TENSION SPRING:3.8N
- 24.D1791273 GEAR:DRIVE:TRANSPORT SCREW:54Z
- 27.D1791297 TIGHTENER:DRIVE:DEVELOPMENT:ASSY
- 49.M0EDB137 BRACKET:DRIVE SUB-UNIT:DEVELOPMENT:ASSY 202303-04 O/O



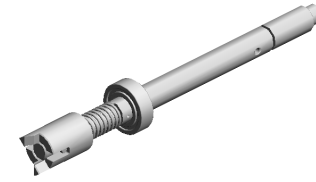
- 45.M2051333 [A] DRIVE UNIT:IMAGING:ASS'Y 201810-04 O/O



- M2051326 [A] DRIVE UNIT:IMAGING:ASS'Y 201810-04 O/O

U001	U002	U003	U004	U005	U006	U007	U008	U009	U010	U011	U012	U013	U014	U015	U016	U017
------	------	------	------	------	------	------	------	------	------	------	------	------	------	------	------	------

U012_S001_S001
SHAFT:DRIVE:CLEANER:ASS'Y



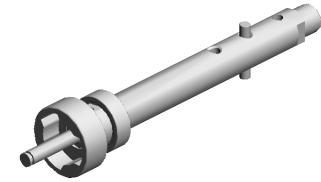
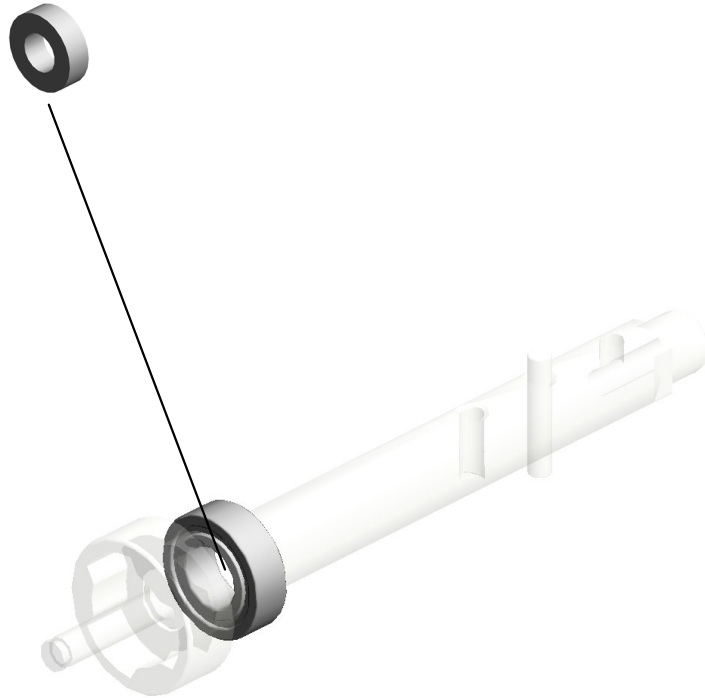
36.M2051308
SHAFT:DRIVE:CLE
ANER:ASS'Y

U001	U002	U003	U004	U005	U006	U007	U008	U009	U010	U011	U012	U013	U014	U015	U016	U017
------	------	------	------	------	------	------	------	------	------	------	------	------	------	------	------	------

U012_S001_S002

SHAFT:DRIVE:DEVELOPMENT SLEEVE:ASS'Y

12.07403808
BALL BEARING - 8
X16X5MM

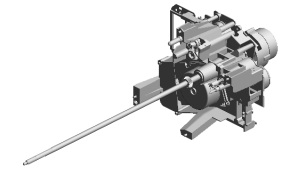


42.M2051347
SHAFT:DRIVE:DEV
ELOPMENT SLEEV
E:ASS'Y

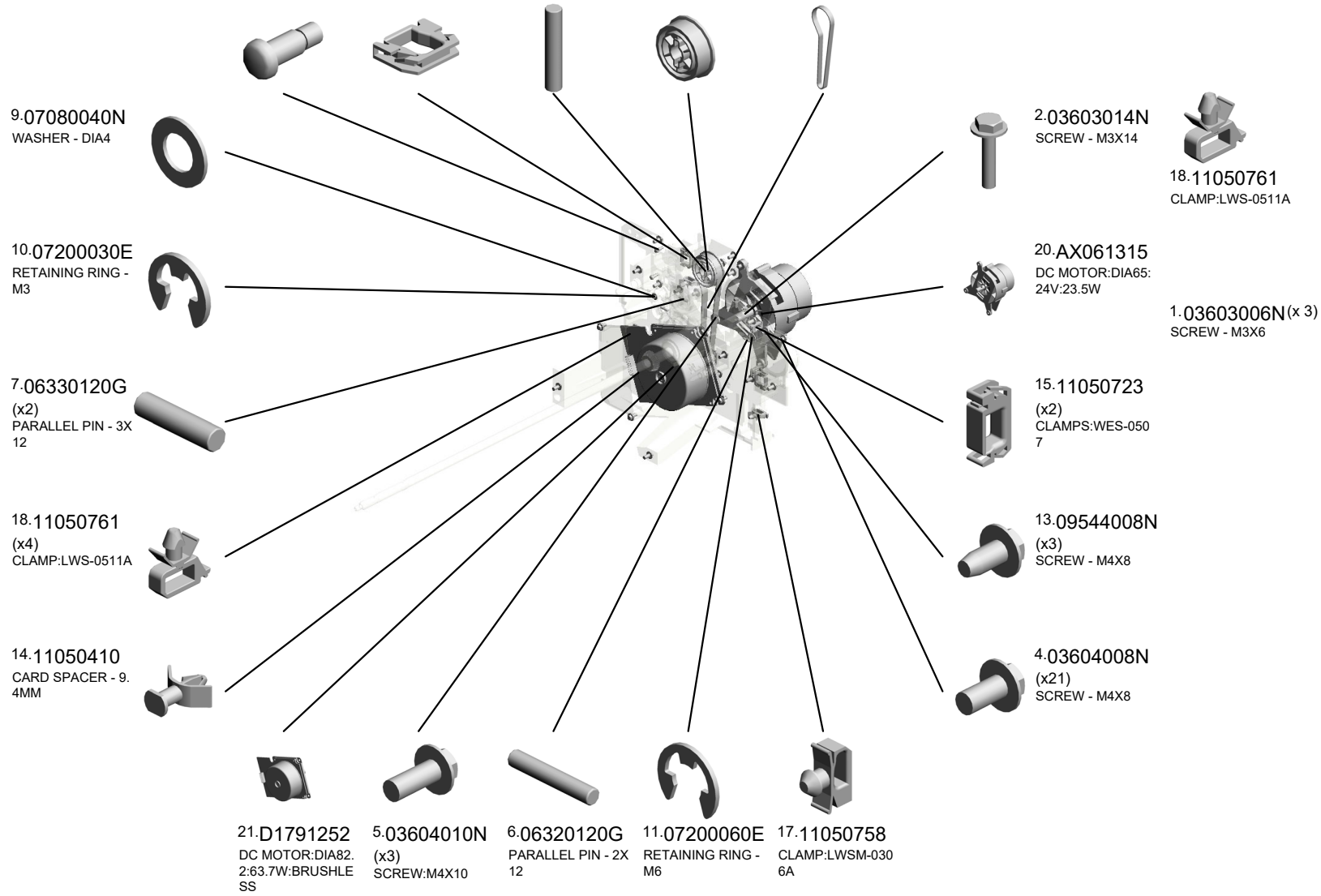
U001	U002	U003	U004	U005	U006	U007	U008	U009	U010	U011	U012	U013	U014	U015	U016	U017
------	------	------	------	------	------	------	------	------	------	------	------	------	------	------	------	------

U012_S002
DRIVE UNIT:IMAGING:ASS'Y

- 19.A0793626 (x2) STEPPED SCREW - SWING CLEANING
- 16.11050724 (x3) CLAMPS:WES-1210
- 8.06330160G PARALLEL PIN - 3X 16MM
- 22.D1791266 PULLEY:DRIVE:DEVELOPMENT ROLLER:59T
- 23.D1791268 SYNCHRONOUS BELT:80S2M300



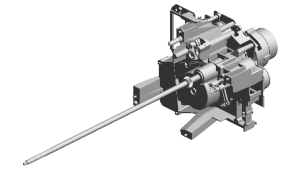
45.M2051333
[A]
DRIVE UNIT:IMAGING:ASS'Y
201810-04 O/O



U001	U002	U003	U004	U005	U006	U007	U008	U009	U010	U011	U012	U013	U014	U015	U016	U017
------	------	------	------	------	------	------	------	------	------	------	------	------	------	------	------	------

U012_S002
DRIVE UNIT:IMAGING:ASS'Y

- 25.D1791275 TENSION SPRING: 3.8N
- 24.D1791273 GEAR:DRIVE:TRANSPORT SCREW:54Z
- 27.D1791297 TIGHTENER:DRIVE:DEVELOPMENT:ASSY
- 49.M0EDB137 BRACKET:DRIVE SUB-UNIT:DEVELOPMENT:ASSY 202303-04 O/O



- 45.M2051333 [A] DRIVE UNIT:IMAGING:ASS'Y 201810-04 O/O

- 28.D1941433 JOINT:DEVELOPMENT SLEEVE:DRIVE:MIDDLE



- 41.M2051305 SHAFT:DRIVE:TRANSPORT SCREW:ASSY



- 30.G1781291 JOINT:TRANSPORT SCREW:NO.2



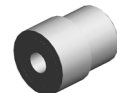
- 35.M2051736 PLATE:IMAGING:DRIVE



- 29.G0291980 DECAL - LD



- 26.D1791290 GEAR:IDLER:TRANSPORT SCREW:65Z/53Z



- 44.M2051527 GEAR:CLEANER:IDLER:35Z/28Z 201807-02 X/O



- 38.M2051322 HOLDER:ANTISTATIC BRUSH:PHOTOCONDUCTOR



- 46.M0B11328 ANTISTATIC BRUSH:DRUM 201904-01 X/O



- 43.M2051526 GEAR:DRIVE:CLEANER:26Z 201807-01 X/O



- 40.M2051525 HOLDER:MOTOR:CLEANER:PRESS FIT



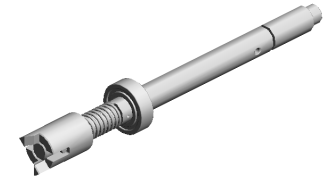
- 31.GX062153 DC BRUSHLESS MOTOR:TRANSFER:TRANSPORT:23W



- M2051326 [A] DRIVE UNIT:IMAGING:ASS'Y 201810-04 O/O

U001	U002	U003	U004	U005	U006	U007	U008	U009	U010	U011	U012	U013	U014	U015	U016	U017
------	------	------	------	------	------	------	------	------	------	------	------	------	------	------	------	------

U012_S002_S001
SHAFT:DRIVE:CLEANER:ASS'Y



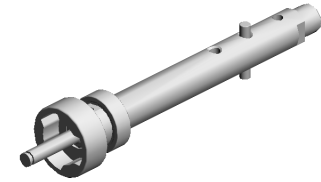
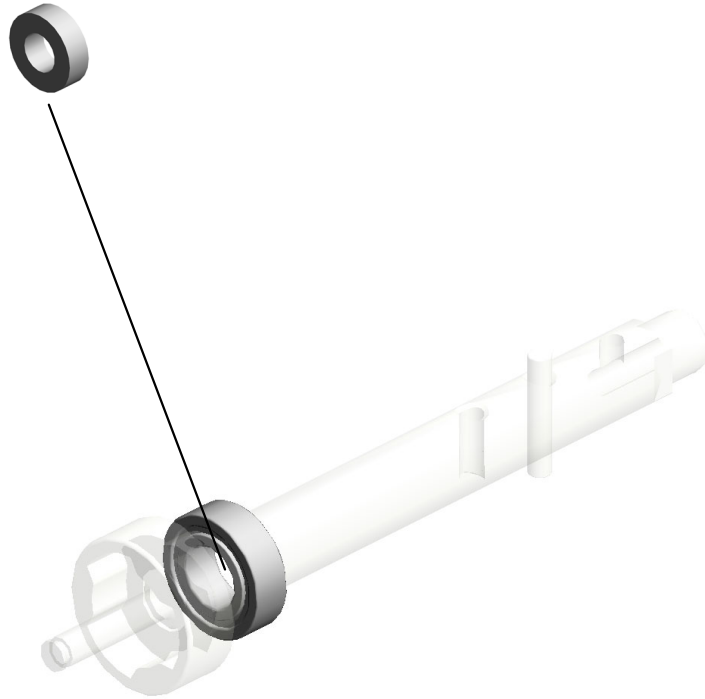
36.M2051308
SHAFT:DRIVE:CLE
ANER:ASS'Y

U001	U002	U003	U004	U005	U006	U007	U008	U009	U010	U011	U012	U013	U014	U015	U016	U017
------	------	------	------	------	------	------	------	------	------	------	------	------	------	------	------	------

U012_S002_S002

SHAFT:DRIVE:DEVELOPMENT SLEEVE:ASS'Y

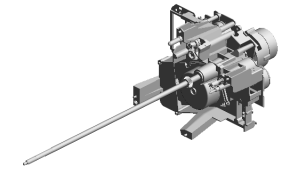
12.07403808
BALL BEARING - 8
X16X5MM



42.M2051347
SHAFT:DRIVE:DEV
ELOPMENT SLEEV
E:ASS'Y

U001	U002	U003	U004	U005	U006	U007	U008	U009	U010	U011	U012	U013	U014	U015	U016	U017
------	------	------	------	------	------	------	------	------	------	------	------	------	------	------	------	------

U012_S003
DRIVE UNIT:IMAGING:ASS'Y



45.M2051333
[A]
DRIVE UNIT:IMAGI
NG:ASS'Y
201810-04 O/O

- 19.A0793626 (x2) STEPPED SCREW - SWING CLEANIN G
- 16.11050724 (x3) CLAMPS:WES-121 0
- 8.06330160G PARALLEL PIN - 3X 16MM
- 22.D1791266 PULLEY:DRIVE:DE VELOPMENT ROLL ER:59T
- 23.D1791268 SYNCHRONOUS B ELT:80S2M300

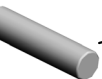
9.07080040N
WASHER - DIA4



10.07200030E
RETAINING RING - M3



7.06330120G
(x2)
PARALLEL PIN - 3X 12



18.11050761
(x4)
CLAMP:LWS-0511A



14.11050410
CARD SPACER - 9. 4MM



- 21.D1791252 DC MOTOR:DIA82. 2:63.7W:BRUSHLE SS
- 5.03604010N (x3) SCREW:M4X10
- 4.03604008N (x21) SCREW - M4X8
- 6.06320120G PARALLEL PIN - 2X 12
- 17.11050758 CLAMP:LWSM-030 6A

2.03603014N
SCREW - M3X14



18.11050761
CLAMP:LWS-0511A



20.AX061315
DC MOTOR:DIA65: 24V:23.5W



1.03603006N(x 3)
SCREW - M3X6

15.11050723
(x2)
CLAMPS:WES-050 7



13.09544008N
(x3)
SCREW - M4X8



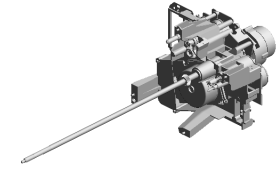
11.07200060E
RETAINING RING - M6



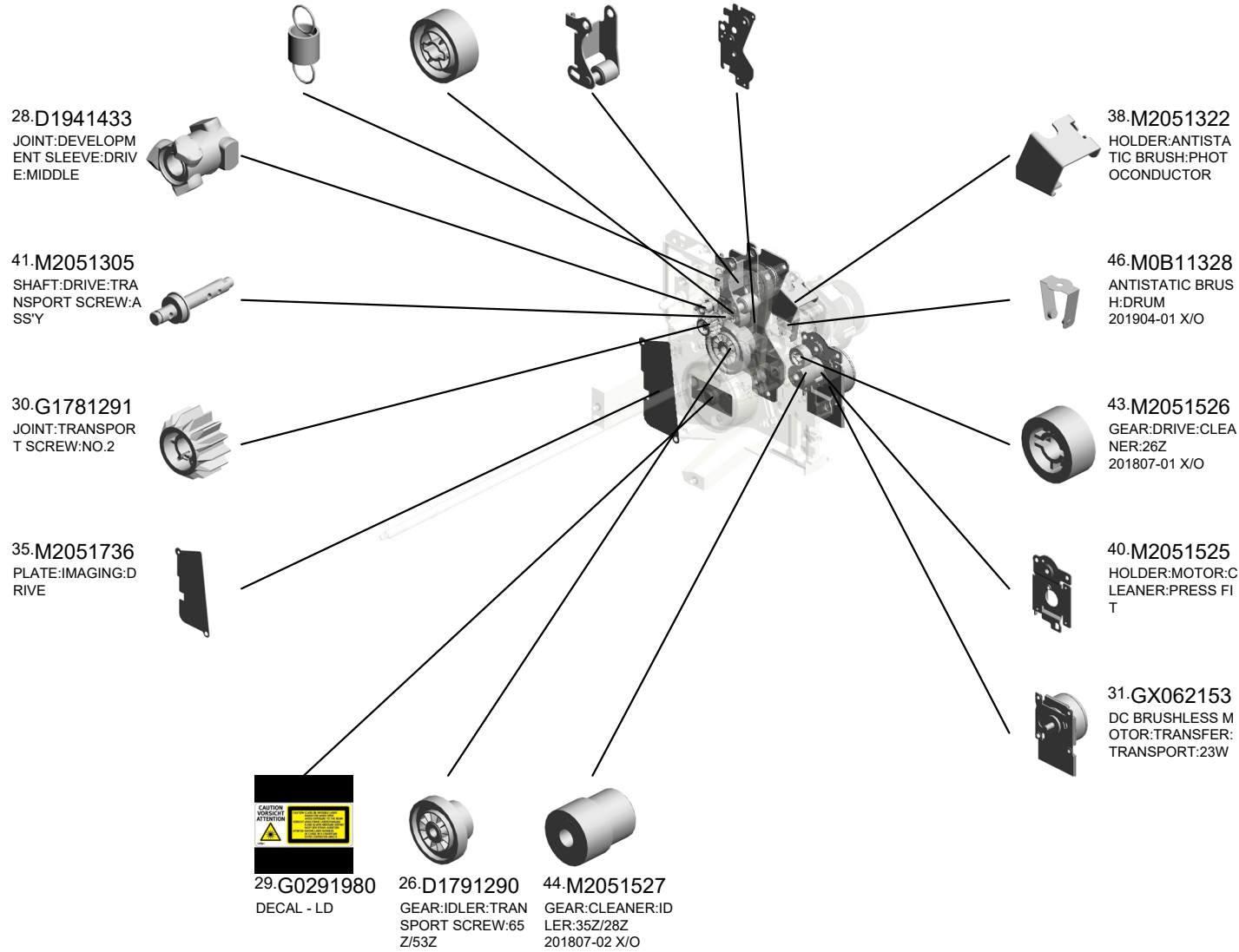
U001	U002	U003	U004	U005	U006	U007	U008	U009	U010	U011	U012	U013	U014	U015	U016	U017
------	------	------	------	------	------	------	------	------	------	------	------	------	------	------	------	------

U012_S003
DRIVE UNIT:IMAGING:ASS'Y

- 25.D1791275 TENSION SPRING:3.8N
- 24.D1791273 GEAR:DRIVE:TRANSPORT SCREW:54Z
- 27.D1791297 TIGHTENER:DRIVE:DEVELOPMENT:ASSY
- 49.M0EDB137 BRACKET:DRIVE SUB-UNIT:DEVELOPMENT:ASSY 202303-04 O/O



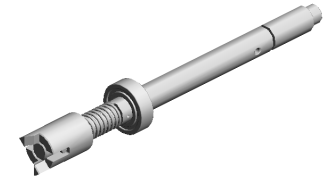
- 45.M2051333 [A] DRIVE UNIT:IMAGING:ASS'Y 201810-04 O/O



- M2051326 [A] DRIVE UNIT:IMAGING:ASS'Y 201810-04 O/O

U001	U002	U003	U004	U005	U006	U007	U008	U009	U010	U011	U012	U013	U014	U015	U016	U017
------	------	------	------	------	------	------	------	------	------	------	------	------	------	------	------	------

U012_S003_S001
SHAFT:DRIVE:CLEANER:ASS'Y



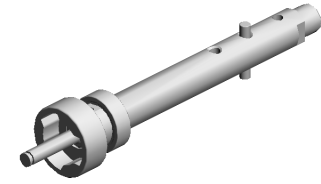
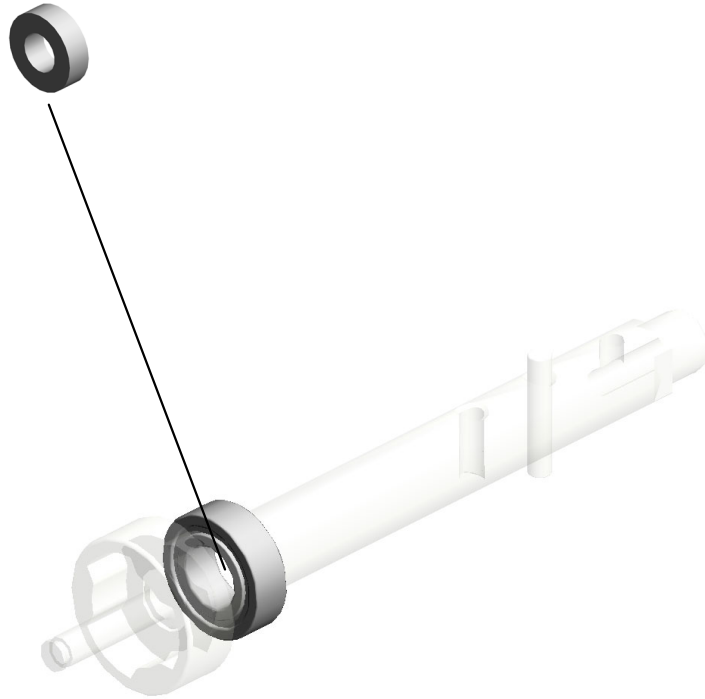
36.M2051308
SHAFT:DRIVE:CLE
ANER:ASS'Y

U001	U002	U003	U004	U005	U006	U007	U008	U009	U010	U011	U012	U013	U014	U015	U016	U017
------	------	------	------	------	------	------	------	------	------	------	------	------	------	------	------	------

U012_S003_S002

SHAFT:DRIVE:DEVELOPMENT SLEEVE:ASS'Y

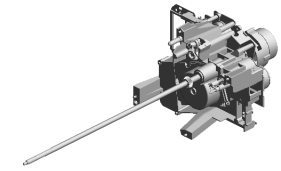
12.07403808
BALL BEARING - 8
X16X5MM



42.M2051347
SHAFT:DRIVE:DEV
ELOPMENT SLEEV
E:ASS'Y

U001	U002	U003	U004	U005	U006	U007	U008	U009	U010	U011	U012	U013	U014	U015	U016	U017
------	------	------	------	------	------	------	------	------	------	------	------	------	------	------	------	------

U012_S004
DRIVE UNIT:IMAGING:ASS'Y



45.M2051333
[A]
DRIVE UNIT:IMAGI
NG:ASS'Y
201810-04 O/O

19.A0793626 (x2) STEPPED SCREW - SWING CLEANIN G
16.11050724 (x3) CLAMPS:WES-121 0
8.06330160G PARALLEL PIN - 3X 16MM
22.D1791266 PULLEY:DRIVE:DE VELOPMENT ROLL ER:59T
23.D1791268 SYNCHRONOUS B ELT:80S2M300

9.07080040N
WASHER - DIA4



10.07200030E
RETAINING RING - M3



7.06330120G
(x2)
PARALLEL PIN - 3X 12



18.11050761
(x4)
CLAMP:LWS-0511A



14.11050410
CARD SPACER - 9. 4MM



21.D1791252 DC MOTOR:DIA82. 2:63.7W:BRUSHLE SS
5.03604010N (x3) SCREW:M4X10
4.03604008N (x21) SCREW - M4X8
6.06320120G PARALLEL PIN - 2X 12
17.11050758 CLAMP:LWSM-030 6A

2.03603014N
SCREW - M3X14



18.11050761
CLAMP:LWS-0511A



20.AX061315
DC MOTOR:DIA65: 24V:23.5W



1.03603006N(x 3)
SCREW - M3X6

15.11050723
(x2)
CLAMPS:WES-050 7



13.09544008N
(x3)
SCREW - M4X8



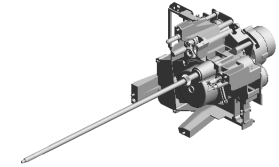
11.07200060E
RETAINING RING - M6



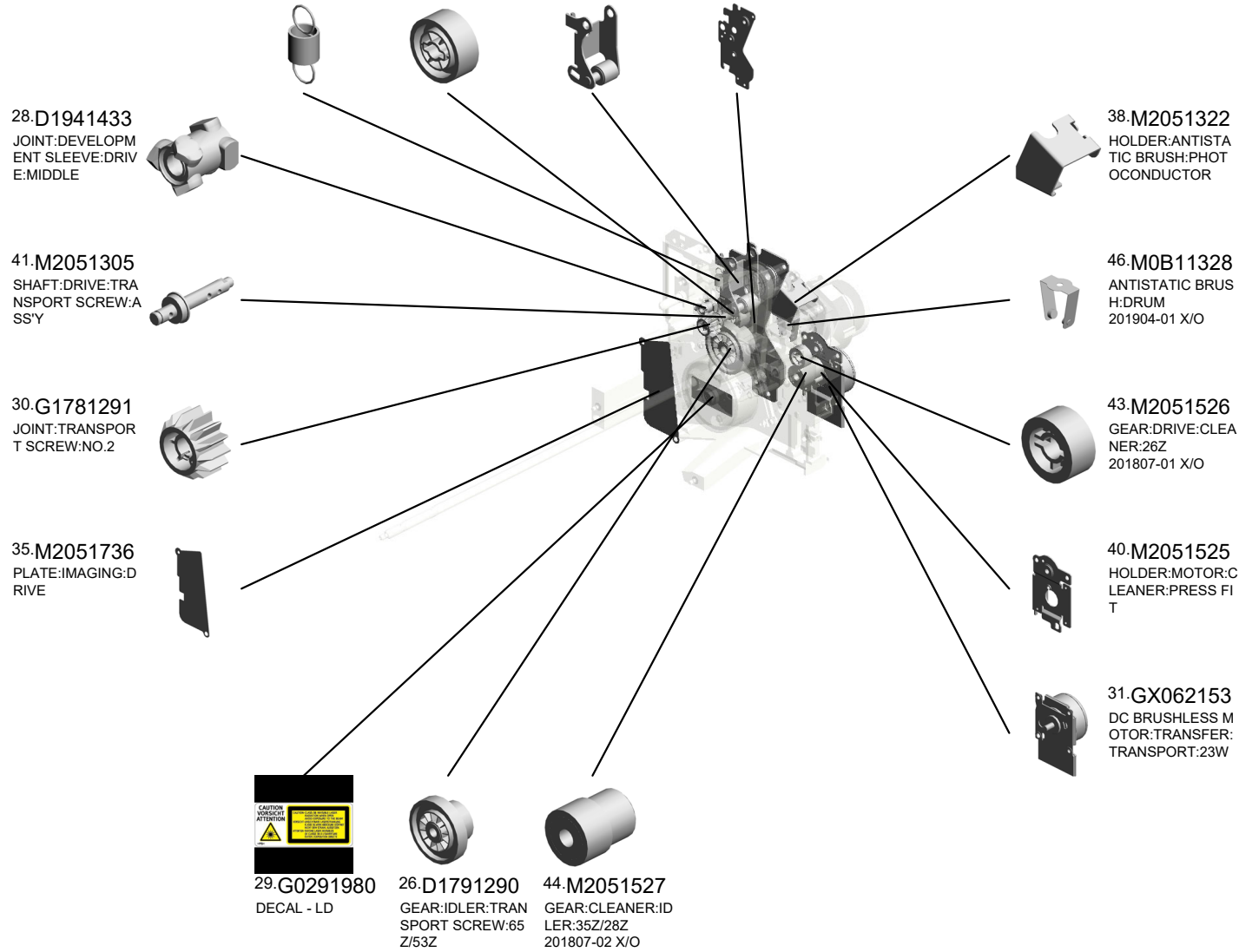
U001	U002	U003	U004	U005	U006	U007	U008	U009	U010	U011	U012	U013	U014	U015	U016	U017
------	------	------	------	------	------	------	------	------	------	------	------	------	------	------	------	------

U012_S004
DRIVE UNIT:IMAGING:ASS'Y

- 25.D1791275 TENSION SPRING:3.8N
- 24.D1791273 GEAR:DRIVE:TRANSPORT SCREW:54Z
- 27.D1791297 TIGHTENER:DRIVE:DEVELOPMENT:ASSY
- 49.M0EDB137 BRACKET:DRIVE SUB-UNIT:DEVELOPMENT:ASSY 202303-04 O/O



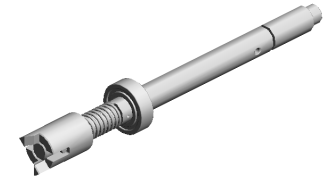
- 45.M2051333 [A] DRIVE UNIT:IMAGING:ASS'Y 201810-04 O/O



- M2051326 [A] DRIVE UNIT:IMAGING:ASS'Y 201810-04 O/O

U001	U002	U003	U004	U005	U006	U007	U008	U009	U010	U011	U012	U013	U014	U015	U016	U017
------	------	------	------	------	------	------	------	------	------	------	------	------	------	------	------	------

U012_S004_S001
SHAFT:DRIVE:CLEANER:ASS'Y

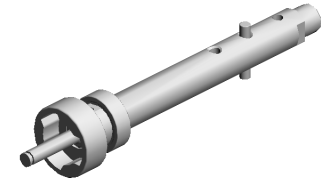


36.M2051308
SHAFT:DRIVE:CLE
ANER:ASS'Y

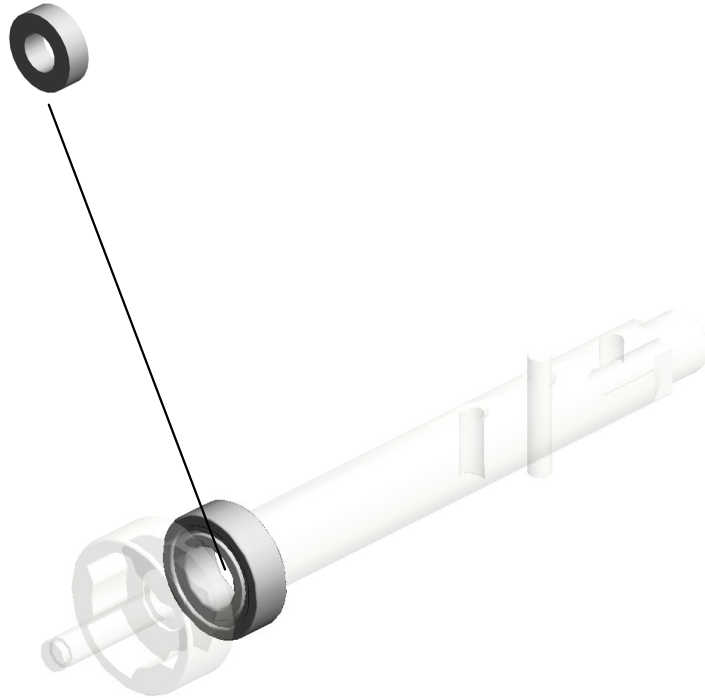
U001	U002	U003	U004	U005	U006	U007	U008	U009	U010	U011	U012	U013	U014	U015	U016	U017
------	------	------	------	------	------	------	------	------	------	------	------	------	------	------	------	------

U012_S004_S002
SHAFT:DRIVE:DEVELOPMENT SLEEVE:ASS'Y

12.07403808
BALL BEARING - 8
X16X5MM



42.M2051347
SHAFT:DRIVE:DEV
ELOPMENT SLEEV
E:ASS'Y



U001	U002	U003	U004	U005	U006	U007	U008	U009	U010	U011	U012	U013	U014	U015	U016	U017
------	------	------	------	------	------	------	------	------	------	------	------	------	------	------	------	------

U013.ELECTRICAL:RIGHT

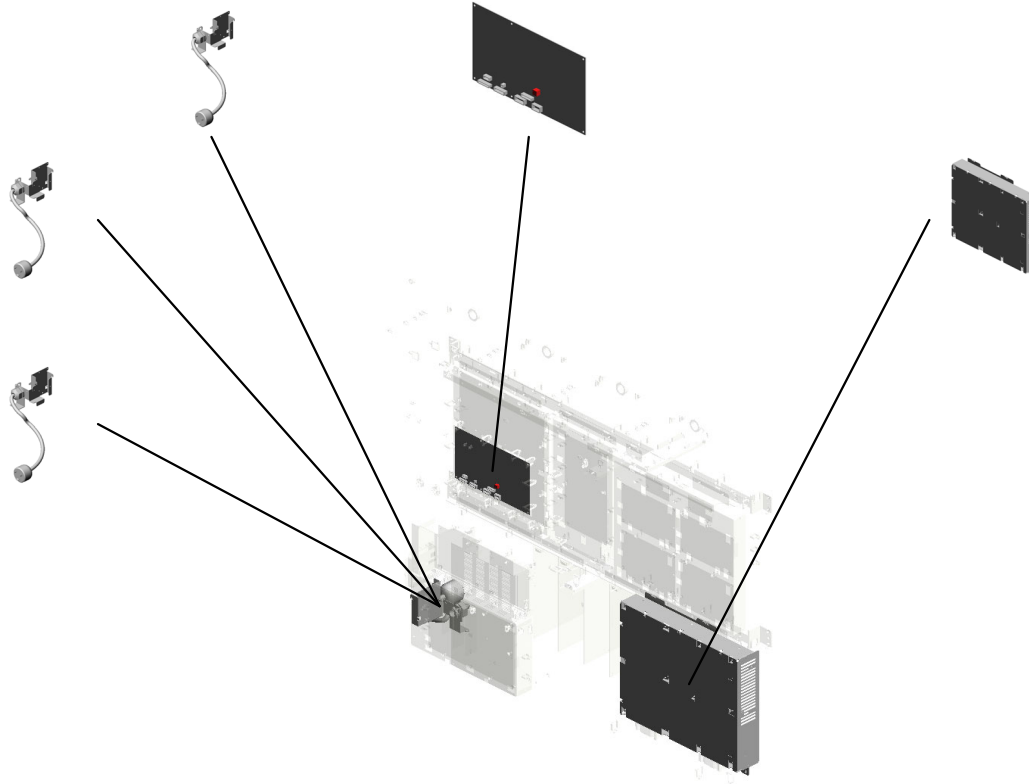
U013 S003
M0B15122
(NA):SERVICE PARTS:POWER SUPPLY CORD:RIGHT:ASSY

U013 S002
M2055347
PCB:BCU:ASSY

U013 S004
M0B15123
(EU/AA):SERVICE PARTS:POWER SUPPLY CORD:RIGHT:ASSY

U013 S005
M0B15123
(EU/AA):SERVICE PARTS:POWER SUPPLY CORD:RIGHT:ASSY

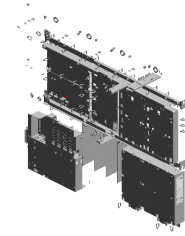
U013 S001
AZ250063
POWER SUPPLY UNIT:200V



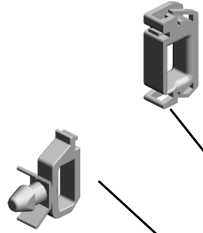
U001	U002	U003	U004	U005	U006	U007	U008	U009	U010	U011	U012	U013	U014	U015	U016	U017
------	------	------	------	------	------	------	------	------	------	------	------	------	------	------	------	------

U013 ELECTRICAL:RIGHT

- 21.11050723 (x8) CLAMPS:WES-050 7
- 6.04544008Q (x7) TAPPING SCREW - M4X8
- 26.11050758 (x19) CLAMP:LWSM-030 6A
- 24.11050726 (x7) CLAMPS:WES-221 7
- 14.11050508 (x10) HARNESS CLAMP - LWS-0711



10.11050487
(x4)
HARNESS CLAMP



15.11050529
NYLON CLAMP-EM
T-3N



17.11050534
(x2)
CLAMP



3.04340200N
(x2)
PAN SELF-TAPPING
SCREW:4X20



12.11050489
HARNESS CLAMP -
LWS 1316



8.09545010N
SCREW:POLISHED
ROUND/SPRING:M
5X10



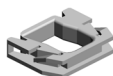
9.11050409
(x14)
CARD SPACER- 6.
4MM



4.04514008N
(x50)
TAPPING SCREW:
4X8



22.11050724
(x5)
CLAMPS:WES-121
0



2.03604030N
(x4)
SCREW:M4X30



23.11050725
(x8)
CLAMPS:WES-111
7



1.03603006N
(x62)
SCREW - M3X6



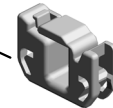
16.11050532
EDGE SADDLE - L
ES-25L



13.11050490
(x47)
HARNESS CLAMP -
IWS-2218



20.11050692
CLAMP:LES-0503



10.11050487
(x21)
HARNESS CLAMP



11.11050488
(x5)
HARNESS CLAMP



12.11050489
(x15)
HARNESS CLAMP -
LWS 1316



13.11050490
HARNESS CLAMP -
IWS-2218



14.11050508
HARNESS CLAMP -
LWS-0711



15.11050529
(x2)
NYLON CLAMP-EM
T-3N



16.11050532
EDGE SADDLE - L
ES-25L



18.11050600
(x7)
CLAMP:LWSM-030
6-2M



U001	U002	U003	U004	U005	U006	U007	U008	U009	U010	U011	U012	U013	U014	U015	U016	U017
------	------	------	------	------	------	------	------	------	------	------	------	------	------	------	------	------

U013 ELECTRICAL:RIGHT

35.11060193 BUSHING - 7.9MM
 49.M2055329 PCB:IOB1
 36.11060349 (x4) BUSHING - 25
 33.11050765 (x25) CLAMP:LWS-2218A
 50.M2055339 PCB:TDCU:ASS'Y

44.C2384450
HINGE SCREW

48.G1788442
DECAL:TERMINAL:
NEUTRAL

37.11071281
FUSE:BJS2012F2

39.16071799
FILTER - SUP-ET20
-ER-0

40.AA001190
DECAL - GROUND

28.11050760
(x19)
CLAMP:LWSM-051
1A

30.11050762
(x2)
CLAMP:LWS-0711A

31.11050763
(x16)
CLAMP:LWS-1211A

46.G1111051
(x2)
FAN MOTOR - DC 2
4V 4.32W

29.11050761
(x6)
CLAMP:LWS-0511A

47.G1782553
HOLDER:ELECTRI
C POTENTIAL SEN
SOR

42.AZ300065
(x2)
POWER PACK:T1

43.AZ320193
(x4)
POWER PACK:CG
B

27.11050759
(x2)
CLAMP:LWSM-060
5A

32.11050764
(x34)
CLAMP:LWS-1316A

19.11050601
(x3)
CLAMP:LWSM-051
1-2M

20.11050692
(x4)
CLAMP:LES-0503

22.11050724
(x3)
CLAMPS:WES-121
0

23.11050725
(x3)
CLAMPS:WES-111
7

24.11050726
(x4)
CLAMPS:WES-221
7

25.11050751
(x12)
CLAMP:LWSM-060
6-3.2M

26.11050758
(x47)
CLAMP:LWSM-030
6A

28.11050760
CLAMP:LWSM-051
1A

U001	U002	U003	U004	U005	U006	U007	U008	U009	U010	U011	U012	U013	U014	U015	U016	U017
------	------	------	------	------	------	------	------	------	------	------	------	-------------	------	------	------	------

U013 ELECTRICAL:RIGHT

53.M2055450 54.M2055451
PCB:NRYP PCB:NRYP

57.M2056212
COVER:BRACKET:
RELAY

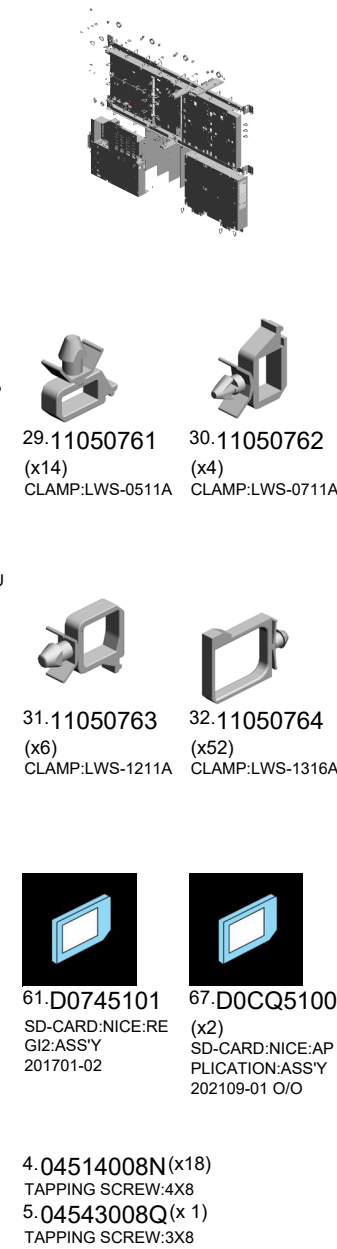
52.M2055350
AC CONTROL BOA
RD

64.D1947175
SHEET:DUCT:OZO
NE UNIT:C/T BOX
201903-02

65.AZ240375
(x2)
POWER SUPPLY U
NIT:ECO:200V
202001-03 X/O

70.D0A52279
BASE:ELECTRIC P
OTENTIAL SENSO
R
202209-01 O/O

66.AZ240365
(x2)
POWER SUPPLY U
NIT:FW:200V
202008-02 X/O



29.11050761 (x14)
CLAMP:LWS-0511A

30.11050762 (x4)
CLAMP:LWS-0711A

31.11050763 (x6)
CLAMP:LWS-1211A

32.11050764 (x52)
CLAMP:LWS-1316A

61.D0745101
SD-CARD:NICE:RE
G12:ASS'Y
201701-02

67.D0CQ5100 (x2)
SD-CARD:NICE:AP
PLICATION:ASS'Y
202109-01 O/O

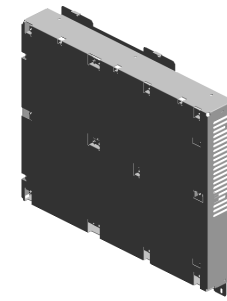
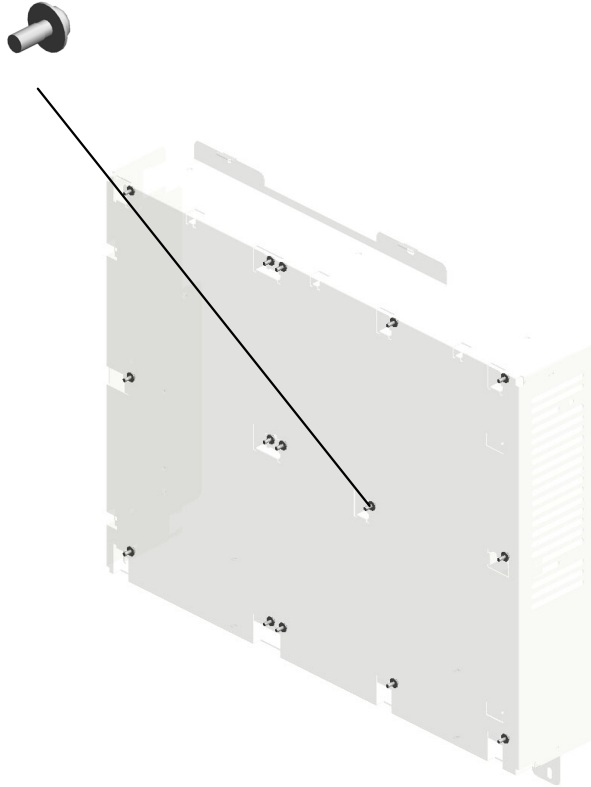
4.04514008N (x18)
TAPPING SCREW:4X8

5.04543008Q (x1)
TAPPING SCREW:3X8

U001	U002	U003	U004	U005	U006	U007	U008	U009	U010	U011	U012	U013	U014	U015	U016	U017
------	------	------	------	------	------	------	------	------	------	------	------	------	------	------	------	------

U013_S001
POWER SUPPLY UNIT:200V

7.09543008N
(x15)
SCREW - M3X8



41.AZ250063
[A]
POWER SUPPLY U
NIT:200V
201604-02 X/O

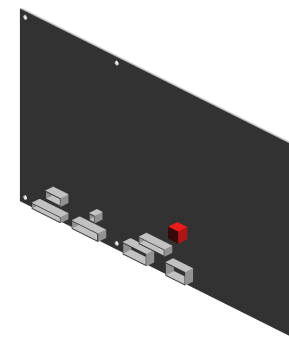
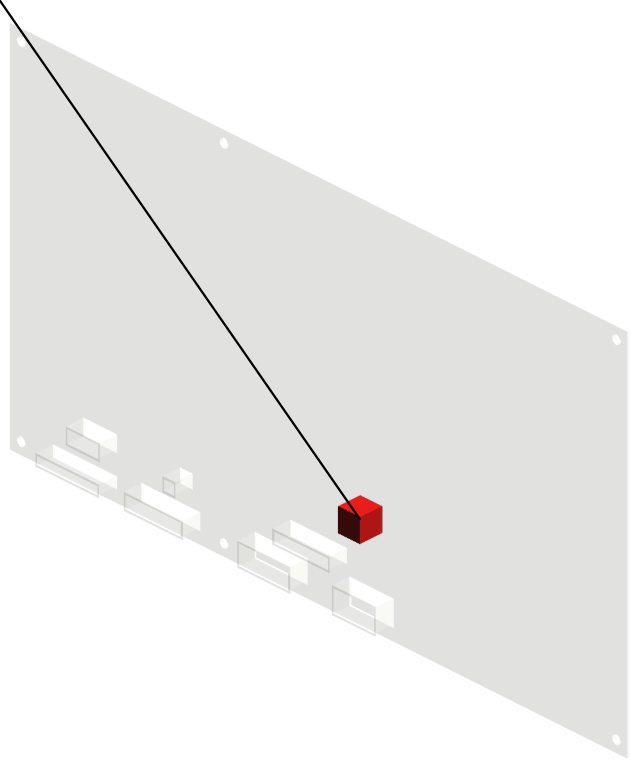
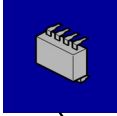


AZ250061
[A]
POWER SUPPLY U
NIT:200V
201604-02 X/O

U001	U002	U003	U004	U005	U006	U007	U008	U009	U010	U011	U012	U013	U014	U015	U016	U017
------	------	------	------	------	------	------	------	------	------	------	------	------	------	------	------	------

U013_S002
PCB:BCU:ASS'Y

38.14077899
EEPROM:BR24T25
6-W

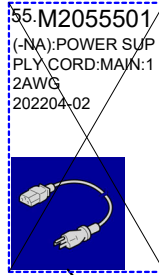


51.M2055347
PCB:BCU:ASS'Y

U001	U002	U003	U004	U005	U006	U007	U008	U009	U010	U011	U012	U013	U014	U015	U016	U017
------	------	------	------	------	------	------	------	------	------	------	------	------	------	------	------	------

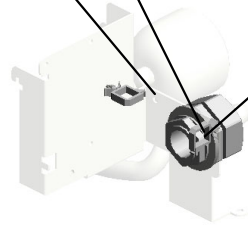
U013_S003

(NA):SERVICE PARTS:POWER SUPPLY CORD:RIGHT:ASS'Y



55.M2055501
(-NA):POWER SUP
PLY CORD:MAIN:1
2AWG
202204-02

34.11050788
NEW SUPER LOCK
:NSL-13



11.11050488
(x2)
HARNESS CLAMP

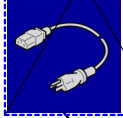


68.M0B15122
(NA):SERVICE PAR
TS:POWER SUPPL
Y CORD:RIGHT:AS
S'Y
202110-01

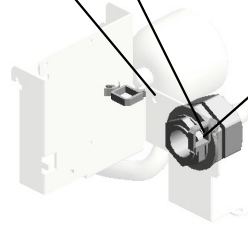
U001	U002	U003	U004	U005	U006	U007	U008	U009	U010	U011	U012	U013	U014	U015	U016	U017
------	------	------	------	------	------	------	------	------	------	------	------	------	------	------	------	------

U013_S004
(EU/AA):SERVICE PARTS:POWER SUPPLY CORD:RIGHT:ASS'Y

~~56.M2055502
(EU/AA):POWER S
UPPLY CORD:MAI
N:12AWG
202201-02~~



34.11050788
NEW SUPER LOCK
:NSL-13



11.11050488
(x2)
HARNESS CLAMP

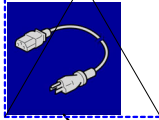


69.M0B15123
(EU/AA):SERVICE
PARTS:POWER SU
PLY CORD:RIGHT
:ASS'Y
202110-02

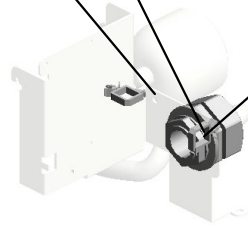
U001	U002	U003	U004	U005	U006	U007	U008	U009	U010	U011	U012	U013	U014	U015	U016	U017
------	------	------	------	------	------	------	------	------	------	------	------	------	------	------	------	------

U013_S005
(EU/AA):SERVICE PARTS:POWER SUPPLY CORD:RIGHT:ASS'Y

56.M2055502/
(EU/AA):POWER S
UPPLY CORD:MAI
N:12AWG
202201-02



34.11050788
NEW SUPER LOCK
:NSL-13



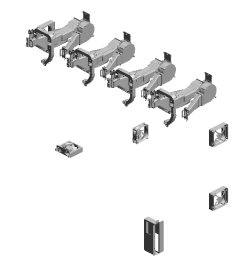
11.11050488
(x2)
HARNESS CLAMP



69.M0B15123
(EU/AA):SERVICE
PARTS:POWER SU
PLY CORD:RIGHT
:ASS'Y
202110-02

U001	U002	U003	U004	U005	U006	U007	U008	U009	U010	U011	U012	U013	U014	U015	U016	U017
------	------	------	------	------	------	------	------	------	------	------	------	------	------	------	------	------

U014 AIR COOLING:RIGHT



- 15.M2057052 (x4) DUCT:DEVELOPMENT:EXHAUST
- 21.M2057062 (x4) DUCT:CHARGE:EXHAUST:LOWER
- 20.M2057061 (x4) SEAL:DUCT:CHARGE
- 18.M2057057 (x4) DUCT:CHARGE:VENTILATION:BLOWER
- 6.11050758 (x4) CLAMP:LWSM-0306A

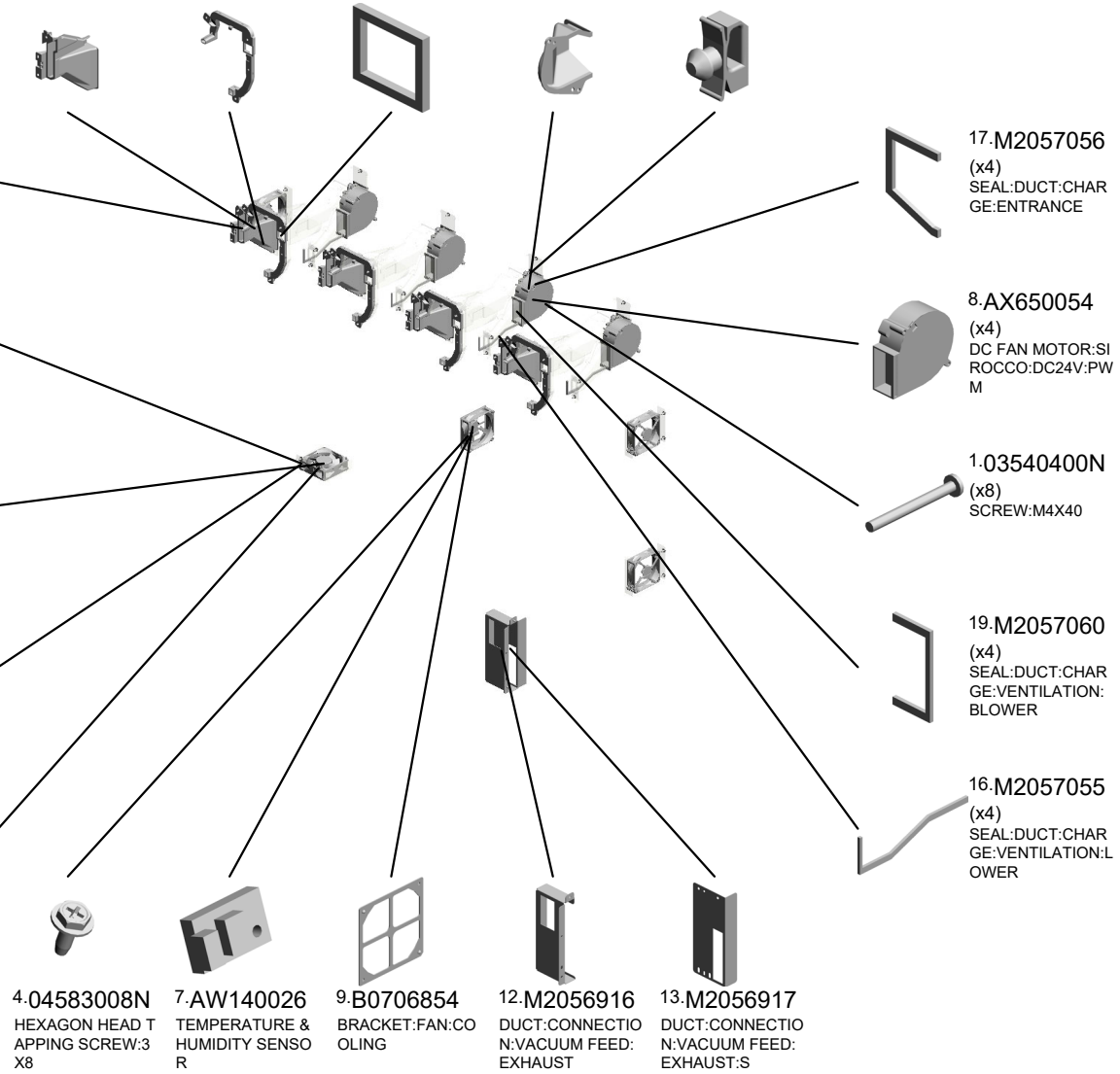
- 14.M2057051 (x4) SEAL:DUCT:DEVELOPMENT:EXHAUST

- 3.04514030N (x10) TAPPING SCREW:M4X30

- 11.G1111051 (x5) FAN MOTOR - DC 24V 4.32W

- 5.11050692 (x8) CLAMP:LES-0503

- 2.04514008N (x71) TAPPING SCREW:4X8



- 4.04583008N HEXAGON HEAD TAPPING SCREW:3X8
- 7.AW140026 TEMPERATURE & HUMIDITY SENSOR
- 9.B0706854 BRACKET:FAN:COILING
- 12.M2056916 DUCT:CONNECTION:VACUUM FEED:EXHAUST
- 13.M2056917 DUCT:CONNECTION:VACUUM FEED:EXHAUST:S

- 17.M2057056 (x4) SEAL:DUCT:CHARGE:ENTRANCE

- 8.AX650054 (x4) DC FAN MOTOR:SIROCCO:DC24V:PWM

- 1.03540400N (x8) SCREW:M4X40

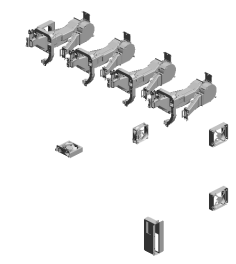
- 19.M2057060 (x4) SEAL:DUCT:CHARGE:VENTILATION:BLOWER

- 16.M2057055 (x4) SEAL:DUCT:CHARGE:VENTILATION:LOWER

U001	U002	U003	U004	U005	U006	U007	U008	U009	U010	U011	U012	U013	U014	U015	U016	U017
------	------	------	------	------	------	------	------	------	------	------	------	------	------	------	------	------

U014
AIR COOLING:RIGHT

24.M2057065 (x4) DUCT:CHARGE:EX HAUST:RIGHT
 23.M2057064 (x4) DUCT:CHARGE:EX HAUST:LEFT



27.M2057095 (x4) SEAL:DUCT:DEVELOPMENT:TONER:UPPER



22.M2057063 (x4) DUCT:CHARGE:EX HAUST:UPPER



29.M2057053 (x4) DUCT:DEVELOPMENT:EXHAUST:LOWER



25.M2057085 (x4) SEAL:DUCT:CHARGE:VENTILATION:UPPER



28.D1055898 HOLDER:TEMPERATURE & HUMIDITY SENSOR 201711-04 X/O



26.M2057094 (x4) SEAL:HOLDER:CHARGE:VENTILATION



U001	U002	U003	U004	U005	U006	U007	U008	U009	U010	U011	U012	U013	U014	U015	U016	U017
------	------	------	------	------	------	------	------	------	------	------	------	------	------	------	------	------

U015.MAIN FRAME:RIGHT

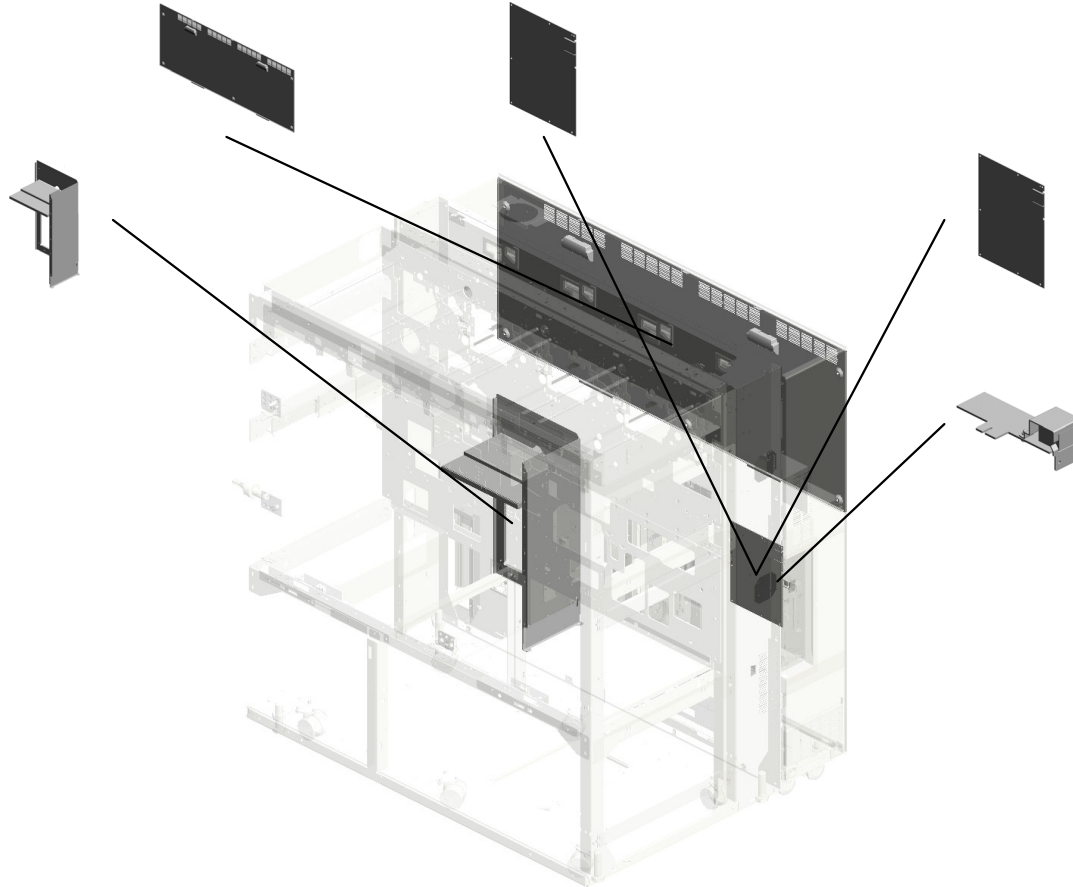
U015 S001
M2051252
COVER:CONTROL UNIT:REA
R UPPER:ASSY

U015 S003
M2056016
(M205);PCB:GWCTL:SERVIC
E PARTS:ASSY

U015 S005
M2056997
DUCT:EXHAUST:COMMON:L
OWER:SUB-ASSY

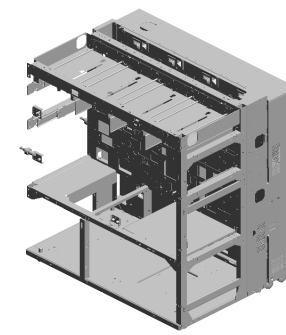
U015 S004
M2056017
(M238);PCB:GWCTL:SERVIC
E PARTS:ASSY

U015 S002
D7306036
PCB:GIGAETHERNET:CDE:A
SSY



U001	U002	U003	U004	U005	U006	U007	U008	U009	U010	U011	U012	U013	U014	U015	U016	U017
------	------	------	------	------	------	------	------	------	------	------	------	------	------	------	------	------

U015 MAIN FRAME:RIGHT



- 3.03603006N (x38) SCREW - M3X6
- 13.09545014N (x3) SCREW - M5X14
- 8.04514010N (x16) TAPPING SCREW: 4X10
- 2.03540400N (x16) SCREW:M4X40
- 5.04504008N (x32) TAPPING SCREW - M4X8

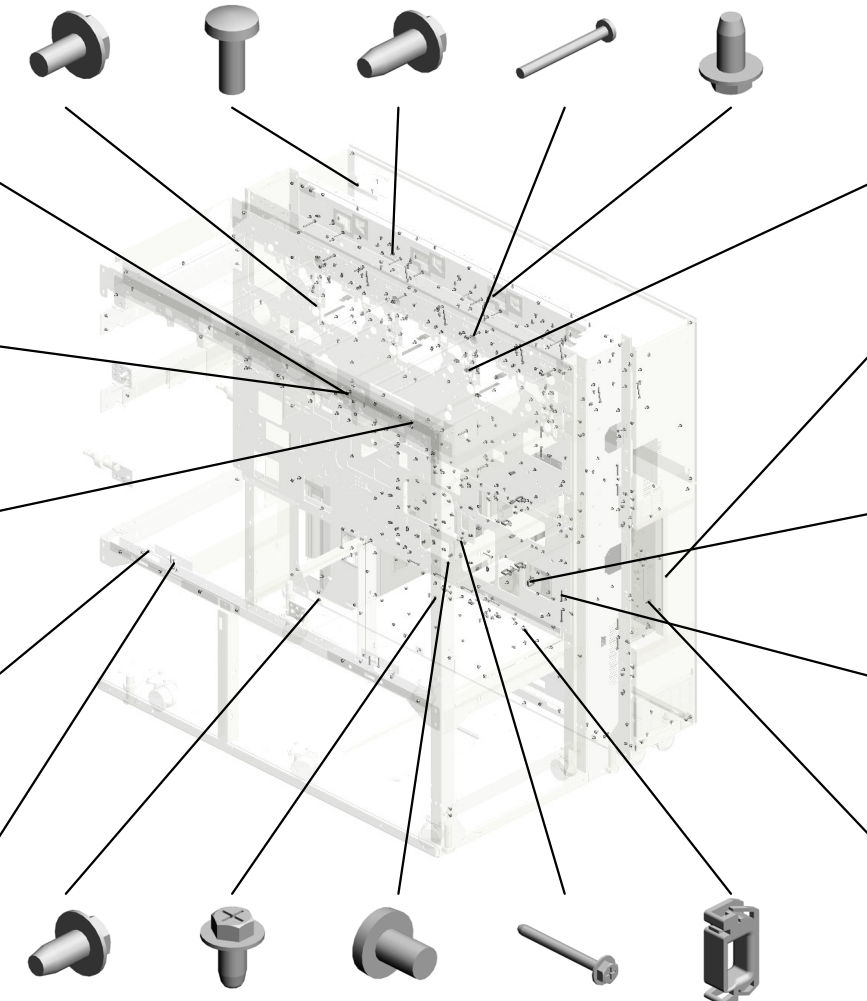
12.09543025N
(x2)
SCREW:POLISHED
ROUND/SPRING:M
3X25
202305-02

15.11050692
(x21)
CLAMP:LES-0503

18.11050758
(x47)
CLAMP:LWSM-030
6A

9.04543006Q
(x71)
TAPPING SCREW -
M3X6

12.09543025N
(x4)
SCREW:POLISHED
ROUND/SPRING:M
3X25



- 7.04514008N (x239) TAPPING SCREW: 4X8
- 11.04544008Q (x73) TAPPING SCREW - M4X8
- 1.03540060N (x2) SCREW-M4X6
- 10.04543030Q (x8) TAPPING SCREW: ROUND POINT:3X3
- 16.11050723 (x4) CLAMPS:WES-050

17.11050724
CLAMPS:WES-121
0

6.04513006N
(x14)
TAPPING SCREW -
3X6

14.11050489
(x5)
HARNESS CLAMP -
LWS 1316

4.03604030N
(x18)
SCREW:M4X30

19.11050760
(x6)
CLAMP:LWSM-051
1A

14.11050489 (x2) HARNESS CLAMP - LWS 1316

18.11050758 (x4) CLAMP:LWSM-030 6A

19.11050760 (x5) CLAMP:LWSM-051 1A

22.11050763 (x3) CLAMP:LWS-1211A

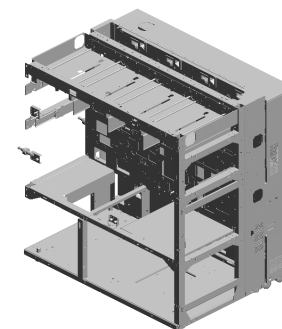
23.11050764 (x23) CLAMP:LWS-1316A

3.03603006N (x 2) SCREW - M3X6

7.04514008N (x 6) TAPPING SCREW:4X8

U001	U002	U003	U004	U005	U006	U007	U008	U009	U010	U011	U012	U013	U014	U015	U016	U017
------	------	------	------	------	------	------	------	------	------	------	------	------	------	------	------	------

U015 MAIN FRAME:RIGHT



- 34.B2342390 (x5) FLANGED HEXAGONAL HEAD BOLT: M4X8
- 30.AX660017 (x8) FAN:BLOWER:DC2 4V 201606-04 X/O
- 21.11050762 CLAMP:LWS-0711A
- 25.A2941838 GROUND PLATE - LENS STAY
- 35.B2751186 (x10) GASKET:TRAY:IPU/MCU:UPPER

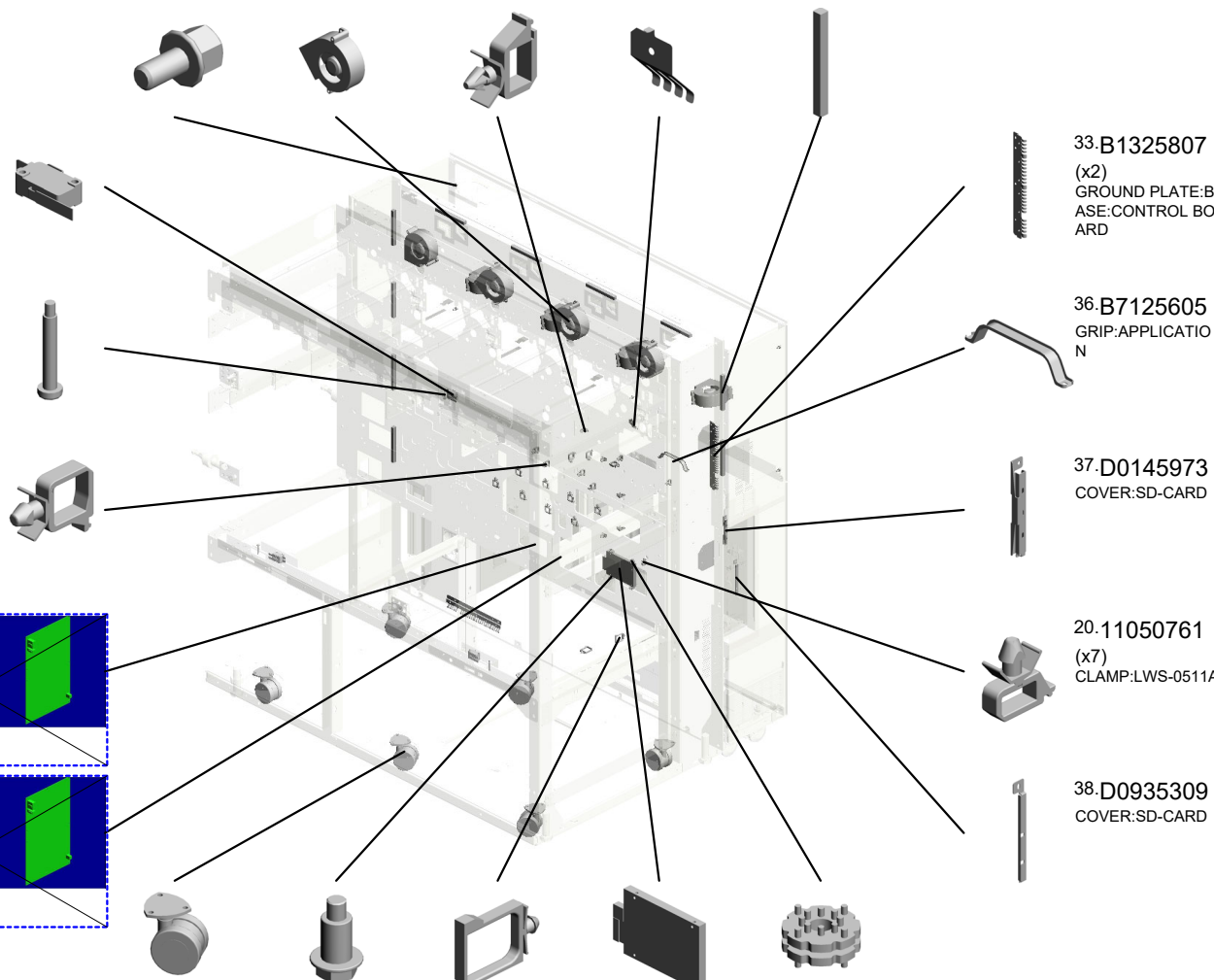
- 24.12042612 (x6) MICRO SWITCH:D3 V-16506-3C25

- 26.AA143797 (x3) CONNECTOR GUI DE PIN

- 22.11050763 (x4) CLAMP:LWS-1211A

- 31.AZ240263 (x2) POWER SUPPLY UNIT:ECO:200V 201507-10

- 32.AZ240265 (x2) POWER SUPPLY UNIT:FW:200V 201507-09



- 29.AH012031 (x6) CASTER:1470N
- 27.AA143848 (x4) STEPPED SCREW - M3
- 23.11050764 (x13) CLAMP:LWS-1316A
- 39.D2235308 HDD:320GB:MN500 S-2:WD3200LUCT 201603-02 O/O
- 28.AA161167 (x4) BUSHING:HDD

- 9.04543006Q (x15) TAPPING SCREW - M3X6
- 13.09545014N (x 1) SCREW - M5X14
- 33.B1325807 (x2) GROUND PLATE:BASE:CONTROL BOARD

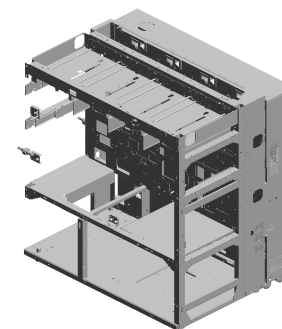
- 36.B7125605 GRIP:APPLICATION

- 37.D0145973 COVER:SD-CARD

- 20.11050761 (x7) CLAMP:LWS-0511A

- 38.D0935309 COVER:SD-CARD

U015 MAIN FRAME:RIGHT



- 62.G1787246 (x4) SEAL:DUCT:SIROC CO:UPPER
- 57.G1787132 (x4) SEAL:DUCT:SIROC CO:LEFT
- 56.G1786193 (x2) GROUND PLATE:C/T BOX:UPPER
- 60.G1787235 (x4) CASE:FILTER:PRE VENTFENCE:UPPER
- 59.G1787148 (x4) COVER:FILTER:PR EVENTFENCE

47.G1781165
HINGE:PIN:UPPER:
PEEN



48.G1781169
COVER:LEAK BRE
AKER



54.G1785493
(x2)
LEVER:SAFETY S
WITCH:FRONT



43.G1111051
(x13)
FAN MOTOR - DC 2
4V 4.32W



49.G1781195
HINGE:PIN:LOWER
:PEEN



45.G1781138
(x18)
SCREW WITH WA
SHER:M6X14



52.G1781230
GROUND PLATE:C/
T BOX:PEEN



55.G1786192
GROUND PLATE:S
TAY:FRONT



46.G1781152
STOPPER:C/T BOX
:LOWER



44.G1781134
(x4)
HEXAGONAL BOLT
:M20X70



41.D3775852
BRACKET:NIC:VC2
:ENGINE



40.D1495776
(x2)
COVER:USB:SMAL
L



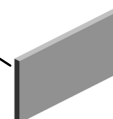
50.G1781199
(x2)
HINGE:MAIN:PEEN



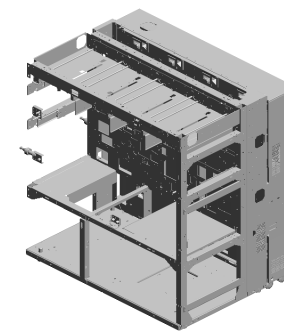
51.G1781200
(x2)
HINGE:MAIN:HOLD
ER



61.G1787239
FILTER:ENTRANC
E



U015 MAIN FRAME:RIGHT



- 76.M2051207 SEAL:STAY:MIDDLE
- 75.M2051202 (x2) SEAL:DUCT:CHARGE:COMMON:LOWER
- 64.G1787295 (x4) SEAL:DUCT:FAN
- 78.M2051250 COVER:CONTROL UNIT:UPPER
- 66.M0777236 (x4) CASE:FILTER:PREVENTENCE:LOWER

- 88.M2056924 (x5) SEAL:DUCT:OZONE FILTER:COMMON

- 67.M0777290 SEAL:COVER:OZONE FILTER

- 71.M2051058 (x2) BRACKET:SAFETY SWITCH:DOOR:FRONT

- 70.M2051057 (x2) COVER:SAFETY SWITCH:DOOR:FRONT

- 74.M2051148 COVER:SAFETY SWITCH:LOWER FRONT

- 73.M2051119 COVER:INNER COVER:PAPER FEED:UPPER
- 80.M2051256 COVER:CONTROL UNIT:RIGHT LOWER:COAT
- 77.M2051220 FILTER:POWER SUPPLY UNIT:ENTRANCE
- 72.M2051095 (x2) SLIDE RAIL:INTERMEDIATE TRANSFER
- 84.M2055327 PCB:IMAGE PROCESSING UNIT

- 63.G1787286 (x4) FILTER:ENTRANCE:DEVELOPMENT

- 89.M2056928 (x4) FILTER:PREVENTENCE

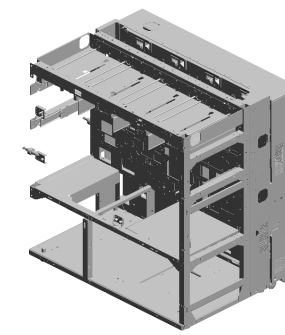
- 65.M0771189 (x4) GUARD:FAN:PREVENTENCE:UPPER

- 81.M2051265 COVER:CONTROL UNIT:LEFT LOWER

- 83.M2051296 COVER:CONNECTOR:CT BOX

U001	U002	U003	U004	U005	U006	U007	U008	U009	U010	U011	U012	U013	U015	U016	U017
------	------	------	------	------	------	------	------	------	------	------	------	------	------	------	------

U015 MAIN FRAME:RIGHT



- 116.11050551 (x8) CLAMP:LES-0505
- 118.D1362276 (x4) CONNECTOR:1POLE
- 117.D0742577 (x4) CONNECTOR:DRAWER:4POLE:REC
- 99.M2057084 SEAL:DUCT:CHARGE:UPPER RIGHT
- 97.M2057082 SEAL:DUCT:CHARGE:UPPER FRONT

96.M2057081
SEAL:DUCT:CHARGE:RIGHT

92.M2057069
SEAL:DUCT:DEVELOPMENT:LOWER

111.M2051056
STUD:POSITIONING:INTERMEDIATE TRANSFER:PEEN

113.M2051090 (x2)
HEXAGON HEAD BOLT WITH WASHER:M8X16

112.M2051035 (x2)
PIN:POSITIONING:FRAME

93.M2057071 (x4)
SEAL:BLOWER:DEVELOPMENT

101.M2057088 (x4)
SEAL:DUCT:FILTER:LOWER

94.M2057073 (x2)
SEAL:DUCT:CHARGE:COMMON:UPPER LOWER

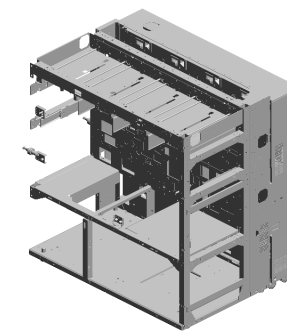
100.M2057087 (x4)
SEAL:BLOWER:CHARGE:EXIT

95.M2057077 (x2)
SEAL:DUCT:CHARGE:COMMON:LEFT AND RIGHT

- 106.M2057096 SEAL:OZONE FILTER:LEFT AND RIGHT
- 90.M2056929 (x2) SEAL:DUCT:OZONE FILTER
- 98.M2057083 SEAL:DUCT:CHARGE:UPPER LEFT
- 110.D1365978 BRACKET:HDD
- 107.M2059590 NV-RAM

U001	U002	U003	U004	U005	U006	U007	U008	U009	U010	U011	U012	U013	U014	U015	U016	U017
------	------	------	------	------	------	------	------	------	------	------	------	------	------	------	------	------

U015 MAIN FRAME:RIGHT



121.M2053461 (x4)
BRACKET:BIAS
123.M0B11063
ARM:SAFETY SWI
TCH:UPPER:ASS'Y
202010-01 X/O

129.M0EDA057
SHAFT:CONTACT
POINT:PUSH SWIT
CH
202312-02

126.08050100
(x2)
RETAINING RING -
M2.5
202312-05

127.B2291080
CUSHION:SAFETY
SWITCH
202312-04

122.M0B11280
(x4)
CASTER
202007-08 O/O

128.M0EDA055
[A]
BRACKET:SAFETY
SWITCH:COVER:U
PPER FRONT
202312-01 X/X

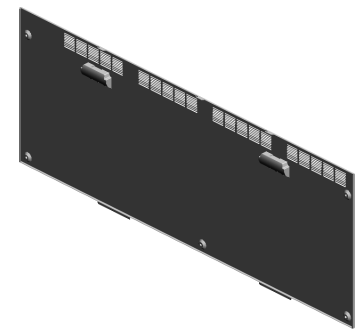
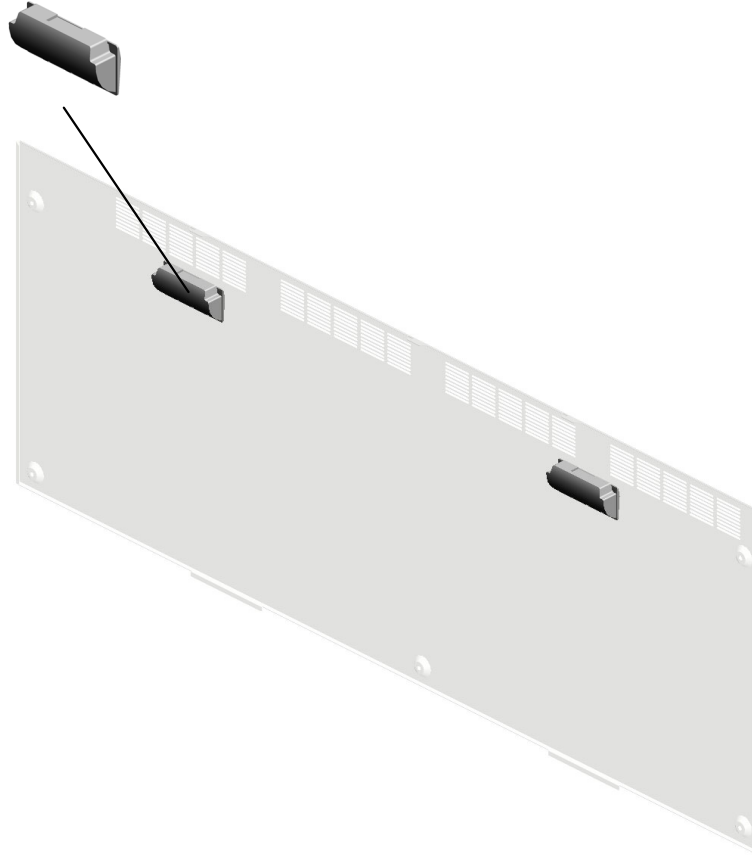
120.M2056136
PCB:DTU
201807-04 X/O

M2051054
[A]
BRACKET:SAFETY
SWITCH:COVER:U
PPER FRONT
202312-01 X/X

U001	U002	U003	U004	U005	U006	U007	U008	U009	U010	U011	U012	U013	U014	U015	U016	U017
------	------	------	------	------	------	------	------	------	------	------	------	------	------	------	------	------

U015_S001
COVER:CONTROL UNIT:REAR UPPER:ASS'Y

124.M0B11276
(x2)
GRIP:COVER:CON
TROL UNIT
202207-03 X/O

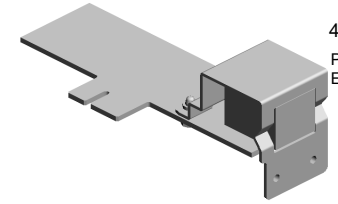


79.M2051252
COVER:CONTROL
UNIT:REAR UPPER
:ASS'Y

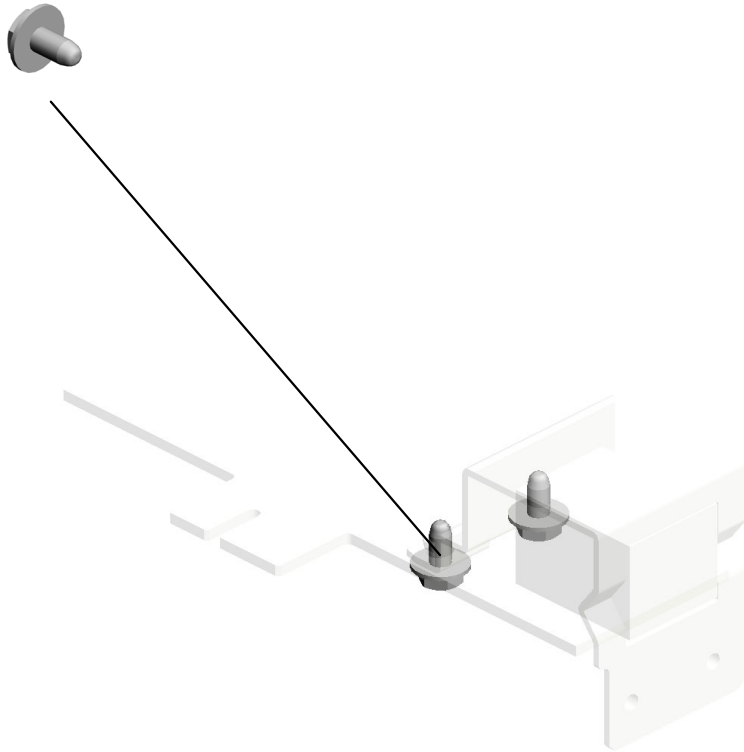
U001	U002	U003	U004	U005	U006	U007	U008	U009	U010	U011	U012	U013	U014	U015	U016	U017
------	------	------	------	------	------	------	------	------	------	------	------	------	------	------	------	------

U015_S002
PCB:GIGAETHERNET:CDE:ASS'Y

9.04543006Q
(x2)
TAPPING SCREW -
M3X6



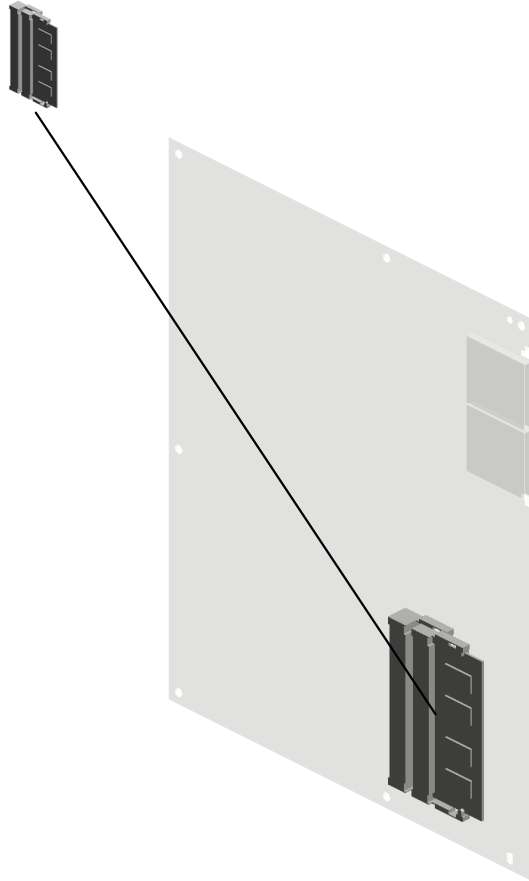
42.D7306036
PCB:GIGAETHERN
ET:CDE:ASS'Y



U001	U002	U003	U004	U005	U006	U007	U008	U009	U010	U011	U012	U013	U014	U015	U016	U017
------	------	------	------	------	------	------	------	------	------	------	------	------	------	------	------	------

U015_S003
(M205):PCB:GWCTL:SERVICE PARTS:ASS'Y

68.M1305245
PCB:DDR3-DIMM:R
C-C:1GB:ASS'Y

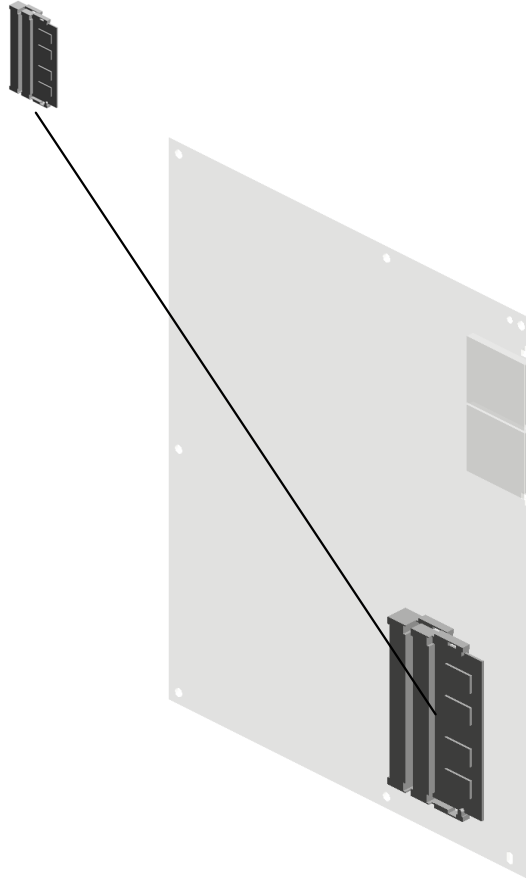


85.M2056016
(M205):PCB:GWCT
L:SERVICE PARTS:
ASS'Y

U001	U002	U003	U004	U005	U006	U007	U008	U009	U010	U011	U012	U013	U014	U015	U016	U017
------	------	------	------	------	------	------	------	------	------	------	------	------	------	------	------	------

U015_S004
(M238):PCB:GWCTL:SERVICE PARTS:ASS'Y

68.M1305245
PCB:DDR3-DIMM:R
C-C:1GB:ASS'Y

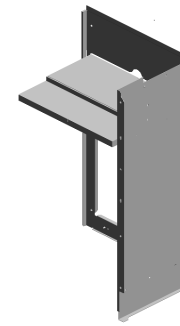


86.M2056017
(M238):PCB:GWCTL
L:SERVICE PARTS:
ASS'Y

U001	U002	U003	U004	U005	U006	U007	U008	U009	U010	U011	U012	U013	U014	U015	U016	U017
------	------	------	------	------	------	------	------	------	------	------	------	------	------	------	------	------

U015_S005
 DUCT:EXHAUST:COMMON:LOWER:SUB-ASS'Y

96.M2057081 SEAL:DUCT:CHAR
 GE:RIGHT
 103.M2057091 OZONE FILTER:KC
 H-A12
 106.M2057096 SEAL:OZONE FILT
 ER:LEFT AND RIG
 HT



91.M2056997
 DUCT:EXHAUST:C
 OMMON:LOWER:S
 UB-ASS'Y

102.M2057090
 OZONE FILTER:KC
 H-A08

58.G1787147
 SEAL:DUCT:OZON
 E FILTER:FRONT

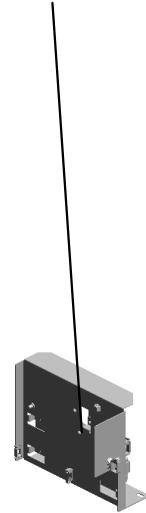
25.A2941838
 GROUND PLATE -
 LENS STAY

6.04513006N
 TAPPING SCREW -
 3X6

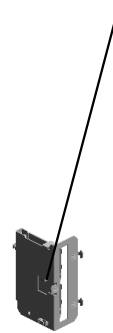
U001	U002	U003	U004	U005	U006	U007	U008	U009	U010	U011	U012	U013	U014	U015	U016	U017
------	------	------	------	------	------	------	------	------	------	------	------	------	------	------	------	------

U016.Options

U016 S001
M2056216
POWER SUPPLY UNIT:FDR:
ASSY



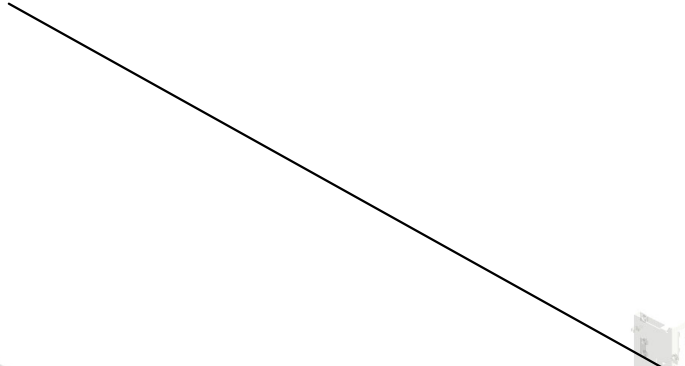
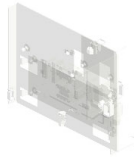
U016 S002
M2051269
SD-CARD:ASS'Y



U001	U002	U003	U004	U005	U006	U007	U008	U009	U010	U011	U012	U013	U014	U015	U016	U017
------	------	------	------	------	------	------	------	------	------	------	------	------	------	------	------	------

U016 Options

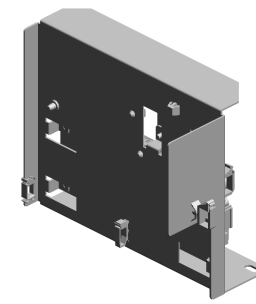
1-03603006N
(x3)
SCREW - M3X6



U001	U002	U003	U004	U005	U006	U007	U008	U009	U010	U011	U012	U013	U014	U015	U016	U017
------	------	------	------	------	------	------	------	------	------	------	------	------	------	------	------	------

U016_S001
POWER SUPPLY UNIT:FDR:ASS'Y

2.09544008N 4.11050758
SCREW - M4X8 (x2)
CLAMP:LWSM-030
6A



8.M2056216
POWER SUPPLY U
NIT:FDR:ASS'Y

3.11050723
CLAMPS:WES-050
7



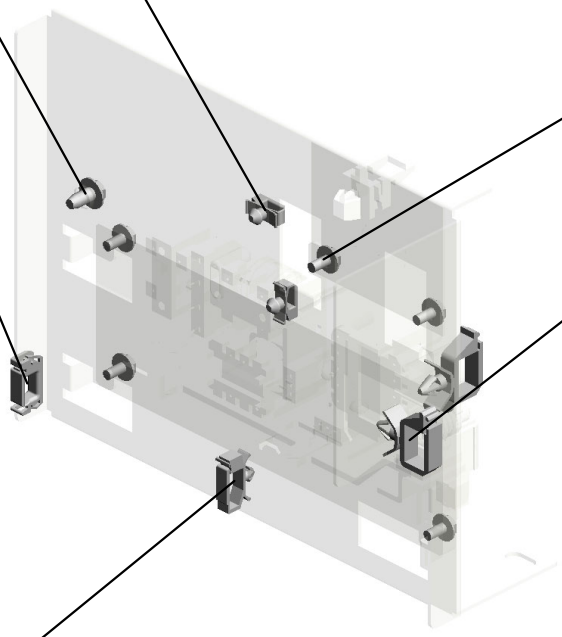
1.03603006N
(x6)
SCREW - M3X6



6.11050762
(x2)
CLAMP:LWS-0711A



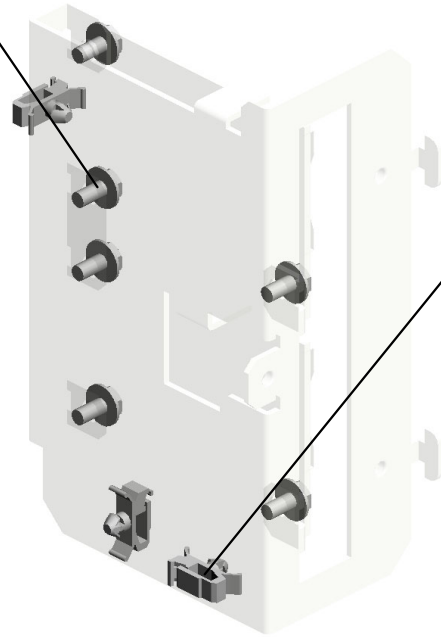
5.11050760
CLAMP:LWSM-051
1A



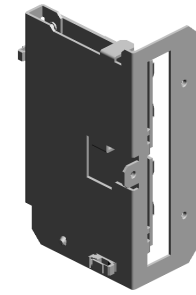
U001	U002	U003	U004	U005	U006	U007	U008	U009	U010	U011	U012	U013	U014	U015	U016	U017
------	------	------	------	------	------	------	------	------	------	------	------	------	------	------	------	------

U016_S002
SD-CARD:ASS'Y

1.03603006N
(x6)
SCREW - M3X6



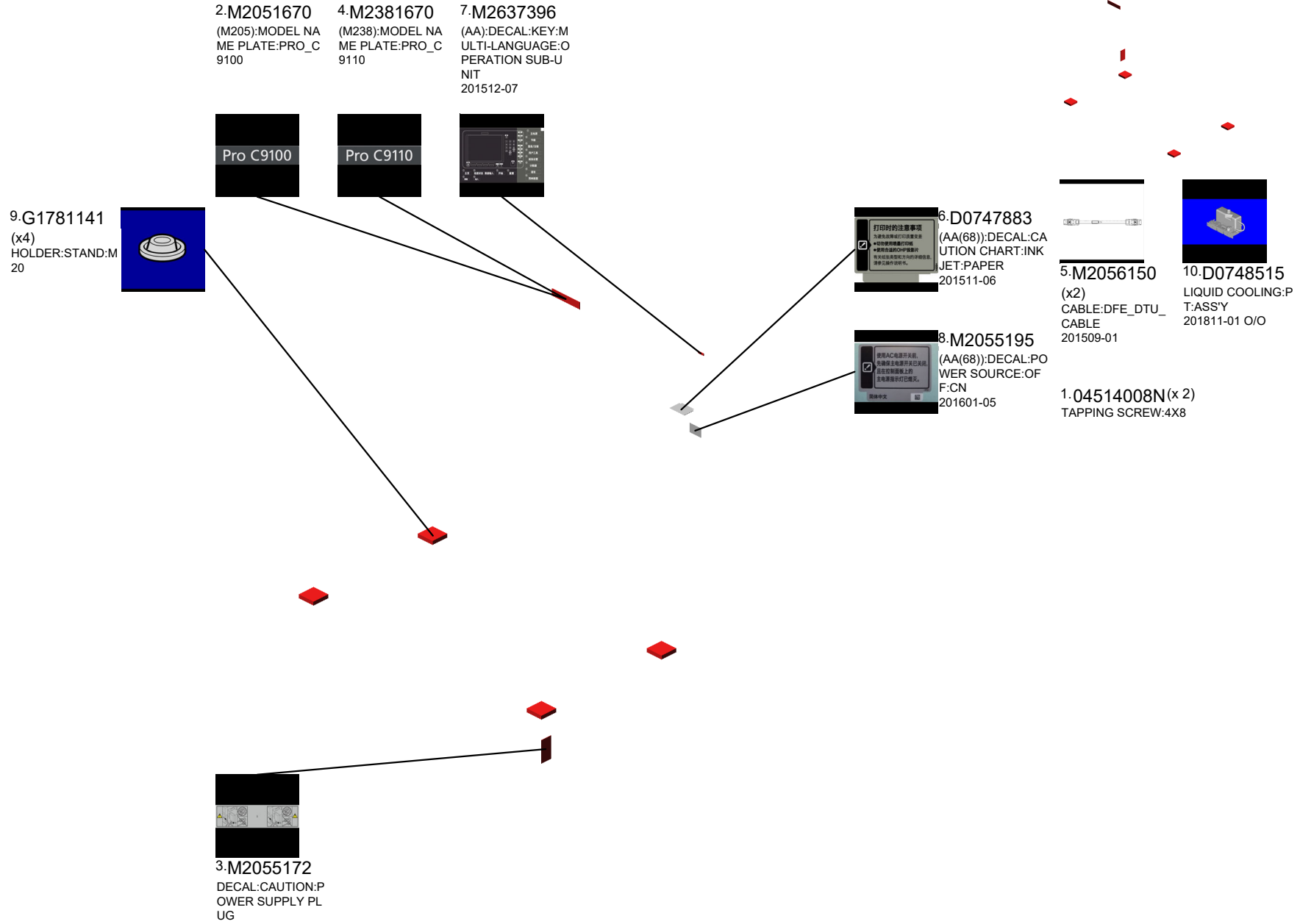
4.11050758
(x3)
CLAMP:LWSM-030
6A



7.M2051269
SD-CARD:ASS'Y

U001	U002	U003	U004	U005	U006	U007	U008	U009	U010	U011	U012	U013	U014	U015	U016	U017
------	------	------	------	------	------	------	------	------	------	------	------	------	------	------	------	------

U017 ACCESSORIES

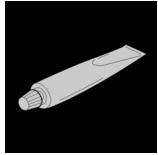


U001	U002	U003	U004	U005	U006	U007	U008	U009	U010	U011	U012	U013	U014	U015	U016	U017
------	------	------	------	------	------	------	------	------	------	------	------	------	------	------	------	------

Special Tools



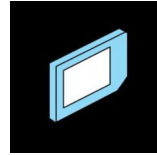
1.52039502
GREASE 501



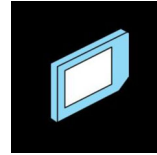
2.A2579300
GREASE - BARRIERTA S552R



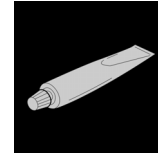
3.B1329700
LUBRICANT POWDER



4.B6455010
SD-CARD:ASS'Y



5.B6455040
SD-CARD:SERVICE PARTS:8GB:ASS'Y



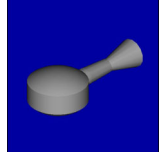
6.D0149800
GREASE-KS660B



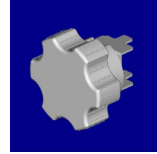
7.D0159500
G104 YELLOW TONER



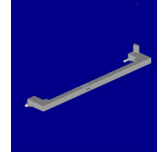
8.D0159501
ZINC STEARATE



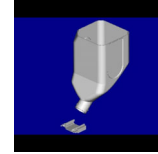
9.D0747690
BRUSH:BLOWER



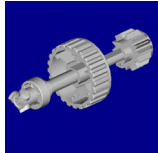
10.D1792445
KNOB:TORQUE LIMITER MECHANICAL CLUTCH:ASS'Y



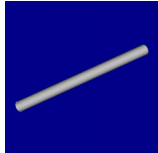
12.M0774240
GRIP:FUSING UNIT:ASS'Y



13.M2052860
BOTTLE:FILL:DEVELOPER:ASS'Y



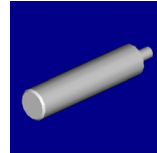
14.M2053355
KNOB:DRIVE:DEVELOPMENT UNIT:A:ASS'Y



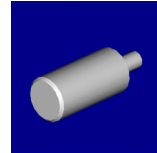
15.M2054433
CYLINDER:GUIDE:HEATER



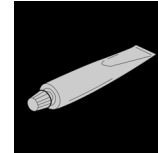
16.M2056434
SHEET:FLAT BELT-TRANSFER:PROJECT



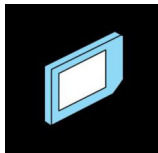
17.M2056543
JIG:SERVICE:TRANSFER/SEPARATION:A



18.M2056544
JIG:SERVICE:TRANSFER/SEPARATION:B



19.VSSG9002
FLUOTRIBO MG GREASE : 100G



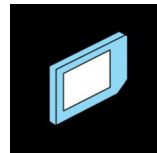
20.M4675041
SD-CARD:MFP-BROWSER:ASS'Y
201510-03



22.G1785397
PCB:SIFB:CROSS



23.M0B15888
HARNES:DEBUG:MONITOR:SERVICE
201911-03 O/O



24.D0A57797
SD-CARD:SP: BATCH:TOOL:ASS'Y
202011-01



25.M0B13320
JIG:SHEET:DOCTOR BLADE
202011-03 O/O

Exclusive Parts

Number	Part Name	Group	ID
50530419	BUSHING - 10MM	U011_S013	84
52039502	GREASE 501	Special Tools	1
52062686	SNAP RING	U011_S011	85
52062687	STUD SCREW - M3	U007_S003_S001	18
		U008_S001_S002 S002	16
53241658	BUSHING- 4X8X4.5MM	U011_S011_S001	86
		U011_S011_S002	86
		U011_S011_S008	86
54462560	CUSHION - PAPER TRAY	U011_S011	87
54466214	SHAFT HOLDER - PICK-UP ROLLER	U006	39
54472681	SNAP RING	U011_S011_S004	88
67542866	ROLLER - POSITIONING GUIDE	U011_S010	89
A0793626	STEPPED SCREW - SWING CLEANING	U012_S001	19
		U012_S002	19
		U012_S003	19
		U012_S004	19
A2324666	CUSHION - STEPPER MOTOR	U009_S001	12
A2579300	GREASE - BARRIERTA S552R	Special Tools	2
A2941163	GEAR - 30Z	U004_S001	22
		U004_S002	22
		U004_S003	22
		U004_S004	22
A2941838	GROUND PLATE - LENS STAY	U011_S013	90
		U015	25
		U015_S005	25
A2943354	RACK - 10Z	U004_S005	23
		U004_S006	23
		U004_S007	23
		U004_S008	23
A2943447	TONER BOTTLE SET FEELER	U004_S005	24
		U004_S006	24
		U004_S007	24
		U004_S008	24
A2943454	LEVER STOPPER	U004_S005	25
		U004_S006	25
		U004_S007	25

Number	Part Name	Group	ID
		U004_S008	25
A6973175	SPACER - 10X14X13.5MM	U011_S013	91
AA001190	DECAL - GROUND	U013	40
AA003057	DECAL:GRIP:LONG:PP	U007_S003	19
AA021031	MAGNETIC CATCH	U001_S003	13
AA040036	FLAT CONVEYER BELT	U009_S001	13
AA043181	TIMING BELT - B40S2M80	U007_S002_S001	20
		U007_S002_S002	20
		U007_S002_S003	20
AA043318	TIMING BELT - 40S3M144	U011_S011	92
AA043486	TIMING BELT - B40S2M194	U009_S001	14
AA043650	TIMING BELT - B60S2M290	U011	95
AA043651	TIMING BELT - B60S2M264	U011	96
AA043727	SYNCHRONOUS BELT:80S2M190	U011_S013	609
AA050116	DRIVE WERE:DRIVEN ROLLER	U006	41
AA060811	TENSION SPRING - STOPPER	U004_S005	26
		U004_S006	26
		U004_S007	26
		U004_S008	26
AA060812	LEVER TENSION SPRING	U004_S005	27
		U004_S006	27
		U004_S007	27
		U004_S008	27
AA060950	TENSION SPRING	U010	16
AA061067	TENSION SPRING:DRIVE WERE:DRIVE	U006	42
AA061114	TENSION SPRING:POSITIONING SENSOR	U006_S001	43
AA061191	TENSION SPRING:REGISTRATION	U011_S013	97
AA061192	TENSION SPRING:TIMING ROLLER	U011_S013	98
AA063204	COMPRESSION SPRING	U011_S011	99
AA063371	SPRING	U005_S013	29
		U005_S014	29
		U005_S015	29
		U005_S016	29
AA063601	RACK SPRING	U004_S005	28
		U004_S006	28

Exclusive Parts

Number	Part Name	Group	ID
		U004_S007	28
		U004_S008	28
AA063674	SPRING - 8N	U011_S012	100
		U011_S015	100
AA063675	SPRING - 5N	U011_S015	101
		U011_S016	101
		U011_S017	101
		U011_S018	101
AA066320	FEELER TORTION SPRING	U004_S005	29
		U004_S006	29
		U004_S007	29
		U004_S008	29
AA066403	TORSION SPRING:GUIDE PLATE:FRONT	U011_S013	102
AA070067	SLIDE RAIL:PULL OUT:RIGHT	U011	103
AA080346	BUSHING:FLANGE TYPE:DIA6	U007_S002_S001	21
		U007_S002_S002	21
		U007_S002_S003	21
AA082101	BUSHING - 6X10X6	U004_S005	30
		U004_S006	30
		U004_S007	30
		U004_S008	30
		U011_S012	104
		U011_S014	104
		U011_S015	104
		U011_S016	104
		U011_S017	104
		U011_S018	104
AA082104	BUSHING - 8X12X7	U011_S013	105
AA082117	BUSHING - M6	U005_S003	30
		U005_S006	30
		U005_S009	30
		U005_S012	30
AA082137	BUSHING:6X10X6	U008_S001_S002	17
AA082144	BUSHING - 8X12X7	U011_S015	106

Number	Part Name	Group	ID
AA082146	BUSHING -6X10X4	U006	44
AA082173	PLAIN SHAFT BEARING:6X10X6	U008_S001_S002	18
AA083022	BUSHING:DIA6:DIA8	U006	45
		U007_S003	22
		U008_S001_S002	19
AA084059	BALL BEARING HOLDER	U011_S011	107
		U011_S012	107
		U011_S014	107
		U011_S015	107
		U011_S016	107
		U011_S017	107
		U011_S018	107
AA100014	RETAINING RING C - SEPARATE	U007_S002_S001	23
		U007_S002_S002	23
		U007_S002_S003	23
		U007_S003	23
AA120127	DISCHARGE BRUSH:FUSING	U011_S013	108
AA132208	SPACER - M6	U005_S003	31
		U005_S006	31
		U005_S009	31
		U005_S012	31
AA132300	ROLLER:LOCK:PULL OUT	U011_S013	109
AA143129	SHOULDER SCREW - FRONT COVER	U011	110
AA143139	SHOULDER SCREW - PRESSURE ARM	U011_S011	111
AA143379	STEPPED SCREW	U011	112
AA143544	SCREW - M3	U006	46
AA143545	SCREW:M4	U010	17
AA143560	STEPPED SCREW - M4	U011	113
AA143562	SCREW:M4:DIA6X1.2	U004_S005	31
		U004_S006	31
		U004_S007	31
		U004_S008	31
AA143718	STEPPED SCREW - M4	U011_S011	114
AA143744	STEPPED SCREW	U006	47
AA143790	SCREW:CONTACT POINT	U011_S010	115
AA143797	CONNECTOR GUIDE PIN	U011	116

Exclusive Parts

Number	Part Name	Group	ID
		U015	26
AA143801	SCREW:M4:EXTERIOR	U011	117
AA143802	SCREW:6X1.7	U011_S008	118
		U011_S009	118
AA143812	SCREW - SCALE	U011_S013	119
AA143848	STEPPED SCREW - M3	U011_S013_S003	120
		U015	27
AA161122	MOTOR CUSHION	U011	121
		U011_S001	121
		U011_S013	121
AA161167	BUSHING:HDD	U015	28
AA161174	CUSHION:DC STEPPER MOTOR	U006	48
AB011126	GEAR:20Z	U008_S001_S002	20
AB011211	GEAR:CONNECTING:VERTICAL T RANSPORT	U004_S001	32
		U004_S002	32
		U004_S003	32
		U004_S004	32
AB011478	GEAR - 18Z	U011_S011	122
AB012005	GEAR - 13Z	U004	33
AB013421	GEAR - 18Z	U011_S011	123
AB014136	GEAR - 31Z	U011_S011	124
AB014243	GEAR:IDLER:Z30	U011_S013	125
AB014312	GEAR:MOTOR:DRIVE:15Z	U011_S011	126
AB017515	DOUBLE GEAR - 12/23Z	U004_S005	34
		U004_S006	34
		U004_S007	34
		U004_S008	34
AB030803	TIMING PULLEY - 25T	U011_S013	127
AB032072	PULLEY:DRIVEN:WIRE	U006	49
AC020153	LENS:LED:4	U004_S005	35
		U004_S006	35
		U004_S007	35
		U004_S008	35
		U006	50
AF021091	TIMING ROLLER:TRANSFER:DRIV EN	U011_S013	128
AF022167	TRANSPORT ROLLER - DRIVEN	U011_S011	129
		U011_S012	129

Number	Part Name	Group	ID
AG051141	RELEASE LEVER	U011_S012	130
		U011_S014	130
AG070513	MAGNET CATCH	U011_S011_S004	589
AH012031	CASTER:1470N	U015	29
AW010143	PHOTO REFIECTION SENSOR:PS R11TL1R-C	U011_S010	132
AW010151	PHOTO REFIECTION SENSOR:PS1 22TL1-A	U009_S001	15
		U011	133
		U011_S011	133
		U011_S012	133
		U011_S013	133
		U011_S015	133
		U011_S017	133
AW020164	OIL END SENSOR	U010	18
AW020166	PHOTOINTERRUPTOR:PAPER FE ED SENSOR	U006	51
AW020198	PHOTOINTERRUPTOR:LG2A14NL 1	U002	14
		U004_S005	36
		U004_S006	36
		U004_S007	36
		U004_S008	36
		U006	52
		U010	19
		U010_S003	19
		U011	134
		U011_S011	134
		U011_S013	134
AW020203	PHOTOINTERRUPTOR:GP1A173L CS2F	U006	53
		U011_S013	135
AW020210	OPTICS SENSOR:ENCODER:300L PI	U006	54
AW020213	OPTICS SENSOR:ENCODER:300L PI	U011_S013	136
AW020218	POSITIONING SENSOR:FLAT BELT -TRANSFER	U006_S001	55
AW140026	TEMPERATURE & HUMIDITY SEN SOR	U005	32
		U014	7
AW500049	PUSH SWITCH:SW1AG-550	U006	236

Exclusive Parts

Number	Part Name	Group	ID
AX040195	DC STEPPER MOTOR:SHIFT:56	U011_S013	137
AX040196	STEPPER MOTOR:PAPER TRANS PORT MD:MM56	U011 U011_S013	138 138
AX040276	STEPPER MOTOR:MM56:TRANSP ORT	U011_S001	139
AX040280	STEPPER MOTOR:DRIVE	U011	140
AX060393	DC STEPPER MOTOR:MM42:1.3A: 4.42V	U006	57
AX060424	DC STEPPER MOTOR:MM56XL76	U011_S013	141
AX060455	DC STEPPER MOTOR:RISE	U011	142
AX060489	DC BRUSHLESS MOTOR:DC24V:2 8W:DIA54.4	U011_S013	143
AX061315	DC MOTOR:DIA65:24V:23.5W	U012_S001 U012_S002 U012_S003 U012_S004	20 20 20 20
AX650054	DC FAN MOTOR:SIROCCO:DC24V: PWM	U014	8
AX660017	FAN:BLOWER:DC24V	U011_S003 U011_S004 U011_S011_S001 S001 U011_S011_S002 S001 U011_S011_S006 U011_S011_S007 U015	144 144 144 144 144 144 30
AZ240365	POWER SUPPLY UNIT:FW:200V	U013	66
AZ240375	POWER SUPPLY UNIT:ECO:200V	U013	65
AZ250063	POWER SUPPLY UNIT:200V	U013_S001	41
AZ300065	POWER PACK:T1	U006 U013	58 42
AZ300066	POWER PACK:T2	U006	59
AZ310041	POWER PACK:TRANSFER	U006	60
AZ320193	POWER PACK:CGB	U013	43
B0391182	SLIDER MM8	U007_S002_S004	24
B0391704	SPRING - TIMING PULLEY	U011	145
B0706854	BRACKET:FAN:COOLING	U014	9

Number	Part Name	Group	ID
B1253230	SPACER - 0.3	U011_S001_S001 U011_S001_S002 U011_S011	146 146 146
B1321183	BRACKET:LOCK	U011_S013	147
B1321221	HOLDER:SPRING:PULL OUT	U011_S013	148
B1322366	LEVER:DRUM STAY:LEFT	U011_S013	150
B1325807	GROUND PLATE:BASE:CONTROL BOARD	U015	33
B1329700	LUBRICANT POWDER	Special Tools	3
B2236171	RUBBER BUSHING:ENCODER	U011_S013	152
B2291080	CUSHION:SAFETY SWITCH	U015	127
B2341293	LEVER - SAFETY SWITCH	U001 U001_S001 U001_S002	14 14 14
B2342125	SPRING - GRID	U002_S001 U002_S002 U002_S003 U002_S004	15 15 15 15
B2342390	FLANGED HEXAGONAL HEAD BOL T:M4X8	U001 U005 U006 U007 U011_S013 U015	15 33 61 25 153 34
B2342440	LED ARRAY - QL	U002_S005 U002_S006 U002_S007 U002_S008	16 16 16 16
B2343067	SPRING	U011_S011	154
B2343356	JOINT:CHUCK:TONER BOTTLE	U004_S005 U004_S006 U004_S007 U004_S008	37 37 37 37
B2346141	POSITIONING SLEEVE - INNER BA CK	U011	155
B2346424	RELEASE GRIP	U011_S017	157
B2346508	TENSION SPRING	U011_S013	158
B2346533	TIMING BELT - S2M152	U011_S013	159

Exclusive Parts

Number	Part Name	Group	ID
B2382675	REGISTRATION ROLLER BUSHING	U011_S013	160
B2751186	GASKET:TRAY:IPU/MCU:UPPER	U015	35
B6455010	SD-CARD:ASS'Y	Special Tools	4
B6455040	SD-CARD:SERVICE PARTS:8GB:ASS'Y	Special Tools	5
B6523135	TIMING BELT:B60S2M172	U011	161
B7005804	STEPPER MOTOR:DIA42:Z17:ASS'Y	U002	17
B7125605	GRIP:APPLICATION	U011	162
		U015	36
B8341645	TIMING BELT - B60S2M220	U011	163
B8343312	COLLAR	U011_S011	164
B8343315	GEAR - 13Z	U011_S011	165
B8343443	STOPPER HOLDER	U011	166
B8344032	CUSHION:TRAY:NO.1	U011_S011	167
B8344388	COMPRESSION SPRING	U011	168
B8352727	PAPER FEED SENSOR BRACKET	U011_S011	169
B8511122	SCREW:ROUND POINT:M4X7	U011	170
B8904094	TIMING BELT:B60S3M297	U006	62
BB013040	GEAR:SHIFT:ROLLER:Z30	U011_S013	171
C1012360	SNAP RING	U001	17
C1051866	PIN	U011_S011	172
C2023102	COLLAR - 6.35X10X4MM	U011_S013	173
C2382873	ADJUSTING SCREW	U011	174
C2383879	TIMING BELT	U011_S013	175
C2384450	HINGE SCREW	U013	44
C2442451	SCREW:TRANSFER/SEPARATION	U011	176
C2444426	SHOULDER SCREW	U011_S013	177
C2652315	SCREW:DRUM	U011_S011	178
C2672944	SCREW:ACTUATOR:SURFACE OF PAPER SENSOR	U006	63
C2693566	BUSHING:MM8:PRESSURE:DRIVE	U011_S011	179
C5922233	TIMING BELT - 2M190	U007_S001	26
C6121803	SCREW:ENCODER:A4991378B	U011_S008	181
		U011_S009	181
D0143655	ELECTRIC POTENTIAL SENSOR	U005	34
D0145973	COVER:SD-CARD	U015	37

Number	Part Name	Group	ID
D0149800	GREASE-KS660B	Special Tools	6
D0159500	G104 YELLOW TONER	Special Tools	7
D0159501	ZINC STEARATE	Special Tools	8
D0393368	SCREW:M3X3.5	U004_S005	38
		U004_S006	38
		U004_S007	38
		U004_S008	38
D0461165	SPACER:DIA8XDIA14X2.2	U011_S011	183
D0464655	TIMING BELT:S2M180	U011	184
D0592399	FLANGED HEXAGONAL HEAD BOLT:M3*4	U011_S013	185
D0666498	GEAR:IDLER:PAPER FEED UNIT:17Z	U004_S001	39
		U004_S002	39
		U004_S003	39
		U004_S004	39
D0741195	GUIDE:LOCK:TRANSPORT UNIT	U011_S013	186
D0741920	DC STEPPER MOTOR:ASS'Y	U003_S001	7
		U003_S002	7
		U003_S003	7
		U003_S004	7
D0742457	PLAIN SHAFT BEARING:BRUSH ROLLER:APPLY:REAR	U005_S003	35
		U005_S006	35
		U005_S009	35
		U005_S012	35
D0742541	DECAL:ARROW LABEL	U005_S001	36
		U005_S004	36
		U005_S007	36
		U005_S010	36
D0742542	DECAL:GRIP	U005_S003_S001	37
		U005_S003_S002	37
		U005_S006_S001	37
		U005_S006_S002	37
		U005_S009_S001	37
		U005_S009_S002	37
	U005_S012_S001	37	

Exclusive Parts

Number	Part Name	Group	ID
		U005_S012_S002 S001	37
D0742577	CONNECTOR:DRAWER:4POLE:RE C	U006	64
		U015	117
D0742632	BRACKET:DC STEPPER MOTOR:M M56:CAM	U011_S013	187
D0742652	LEVER:LINK:TRANSPORT ROLLER	U011_S015	188
D0742681	SHAFT:CAM:SHIFT	U011_S013	190
D0742739	PRESSURE ROLLER:TRANSPORT ROLLER:SHIFT:DRIVEN	U011_S013	192
D0742744	HOLDER:SHIFT:BEARING:FRONT	U011_S013	193
D0743173	TIMING PULLEY:S2M:25T	U011	194
		U011_S013	194
D0743819	PLATE:ROLLER:TENSION	U006	238
D0743824	PLATE:ROLLER:INTERMEDIATE T RANSFER	U006	65
		U006_S004	65
D0743829	DECAL:POSITIONING DISPLAY:TC RU	U005	39
		U005_S001	39
		U005_S002	39
		U005_S004	39
		U005_S005	39
		U005_S007	39
		U005_S008	39
		U005_S010	39
		U005_S011	39
		U006	66
		U007_S003	27
D0743845	FLAT NUT:INNER COVER:INTERM EDIATE TRANSFER	U006	67
D0743855	BRACKET:SENSOR:VACUUM	U009_S001	16
D0743860	INNER COVER:INTERMEDIATE TR ANSFER:LEVER	U006	68
D0743871	STOPPER:WIRE:PULLEY	U006	69
D0743872	PULLEY:DRIVE WERE:ASS'Y	U006	70
D0743873	FEELER:DRIVE WERE	U006	71
D0743878	HOLDER:RADIAL BALL BEARING:D RIVEN ROLLER:INNER BACK	U006	72
D0743881	BRACKET:DC STEPPER MOTOR:P	U006	73

Number	Part Name	Group	ID
	OSITIONING CONTROL		
D0743896	COVER:POSITIONING SENSOR:FL AT BELT-TRANSFER	U006_S001	74
D0743899	LEVER:POSITIONING SENSOR:SL ACK PREVENTION	U006	76
D0744351	STEPPED SCREW:DIA5.4DIA:DIA3. 5:M3	U006	77
D0744612	TRANSPORT ROLLER:DRIVE:REV ERSE:PRESS FIT	U011	195
D0745101	SD-CARD:NICE:REGI2:ASS'Y	U013	61
D0746074	TENSION SPRING:SLEEVE:WIRE:I NTERMEDIATE TRANSFER	U006	78
D0746075	GRIP:INTERMEDIATE TRANSFER: LEFT	U006	79
D0746121	BRACKET:SENSOR:ON-OFF:TRAN SFER ROLLER	U006	80
D0746125	FEELER:ON-OFF:INTERMEDIATE TRANSFER:BLACK	U006	81
D0746134	PLAIN SHAFT BEARING:INSULATE	U006	82
D0746146	BRACKET:BIAS:INTERMEDIATE T RANSFER	U006	85
D0746147	TERMINAL:INTERMEDIATE TRANS FER	U006	86
D0746161	COVER:BIAS:INTERMEDIATE TRA NSFER	U006	87
D0746163	GEAR:TIMING PULLEY:IDLER:INTE RMEDIATE TRANSFER	U006	88
D0746164	SYNCHRONOUS BELT:ON-OFF:IN TERMEDIATE TRANSFER	U006	89
D0746165	PULLEY:ON-OFF:BELT TENSIONE R	U006	90
D0746168	TIGHTENER:INTERMEDIATE TRAN SFER:ASS'Y	U006	91
D0746170	COIL SPRING:PRESSURE:TIGHTE NER	U006	92
D0746171	GUIDE PLATE:COIL SPRING:PRES SURE:TIGHTENER	U006	93
D0746179	GEAR:IDLER:INTERMEDIATE TRA	U006	94

Exclusive Parts

Number	Part Name	Group	ID
	NSFER:Z17:Z53		
D0746180	COMPRESSION SPRING:BIAS:INTERMEDIATE TRANSFER	U006	95
D0746197	TERMINAL:CONNECTING:BIAS:INTERMEDIATE TRANSFER	U006	96
D0746241	DECAL:GRIP:TRANSFER/SEPARATION UNIT	U006	97
D0746314	GEAR:COLLECTION COIL	U008_S001_S002	21
D0746390	LEVER:TENSION:ROLLER:FRONT	U006	227
D0746394	LEVER:TENSION:ROLLER:REAR	U006	228
D0746454	ARM:COATING BAR:BELT CLEANING	U007_S003_S001	28
		U008_S001_S002_S002	23
D0746477	GEAR:BRUSH:REMOVE PAPER DUST:Z17	U008_S001_S002	24
D0746481	JOINT:BRUSH:REMOVE PAPER DUST:BELT CLEANING	U007_S002	29
		U007_S003	29
D0746483	SEAL:HOLDER:CLEANING BLADE:FRONT LOWER	U008_S001_S002	25
D0746484	SEAL:HOLDER:CLEANING BLADE:REAR LOWER	U008_S001_S002	26
D0746497	DECAL:POSITIONING DISPLAY:TCRU	U011_S013	196
D0746517	STEEL BALL:TONER OUTLET SUB-UNIT	U010	20
D0747690	BRUSH:BLOWER	Special Tools	9
D0747782	GRIP:DOOR:FRONT	U001_S001	18
		U001_S002	18
D0747828	CAP:CONNECTOR	U001	19
D0747829	CAP:JOINT:LARGE CAPACITY TRAY	U001	20
D0747830	COVER:LARGE CAPACITY TRAY	U001	21
D0747883	(AA(68)):DECAL:CAUTION CHART:INKJET:PAPER	U017	6
D0748515	LIQUID COOLING:PT:ASS'Y	U017	10
D0931266	DECAL:WARNING (HIGH TEMPERATURE):LENGTHWISE	U011_S013	197
D0935309	COVER:SD-CARD	U015	38

Number	Part Name	Group	ID
D0A52279	BASE:ELECTRIC POTENTIAL SENSOR	U013	70
D0A53588	BRACKET:RACK:STOPPER	U004_S005	87
		U004_S006	87
		U004_S007	87
		U004_S008	87
D0A53710	SEAL:REAR:SLIDER:TONER BANK:T6	U004_S005	91
		U004_S006	91
		U004_S007	91
		U004_S008	91
D0A53898	BRACKET:POSITIONING SENSOR:SLACK PREVENTION	U006	229
D0A56044	BRACKET:INTERMEDIATE TRANSFER:FRONT	U006	249
D0A56045	BRACKET:INTERMEDIATE TRANSFER:REAR	U006	250
D0A57797	SD-CARD:SP:Batch:TOOL:ASS'Y	Special Tools	24
D0BX2500	GRID:CHARGE CORONA	U002_S001	49
		U002_S002	49
		U002_S003	49
		U002_S004	49
D0BX2679	HOLDER:DC STEPPER MOTOR:SHIF	U011_S013	619
D0CQ5100	SD-CARD:NICE:APPLICATION:ASS'Y	U013	67
D1055898	HOLDER:TEMPERATURE & HUMIDITY SENSOR	U014	28
D1176174	BUSHING:TRANSPORT SCREW	U005_S003	40
		U005_S006	40
		U005_S009	40
		U005_S012	40
D1361244	COVER:ENCODER	U011_S013	198
D1362276	CONNECTOR:1POLE	U015	118
D1362852	BRACKET:LED:MANUAL FEED	U006	98
D1363442	DECAL:COLORED DISPLAY:MAIN: BK	U005	42
D1363443	DECAL:COLORED DISPLAY:MAIN: C	U005	43

Exclusive Parts

Number	Part Name	Group	ID
D1363444	DECAL:COLORED DISPLAY:MAIN:M	U005	44
D1363445	DECAL:COLORED DISPLAY:MAIN:Y	U005	45
D1363446	DECAL:COLORED DISPLAY:DRUM STAY:BK	U005	46
D1363447	DECAL:COLORED DISPLAY:DRUM STAY:C	U005	47
D1363448	DECAL:COLORED DISPLAY:DRUM STAY:M	U005	48
D1363449	DECAL:COLORED DISPLAY:DRUM STAY:Y	U005	49
D1364070	COLLAR:DIA10X:DIA14X:15.8	U011_S013	199
D1364073	JOINT:CAM:PRESSURE:B	U011_S013	200
D1365978	BRACKET:HDD	U015	110
D1366128	CASE:OPPOSED:TRANSFER ROLLER:FRONT	U006	99
D1381289	JOINT:FUSING:ON-OFF	U008	27
D1492777	COIL SPRING:PRESSURE:PICKUP	U011_S010	201
D1495776	COVER:USB:SMALL	U015	40
D1496553	GEAR:IDLER:Z61	U004_S001	40
		U004_S002	40
		U004_S003	40
		U004_S004	40
D1791221	HOLDER:COIL SPRING:LOCK:PULL OUT	U011_S013	202
D1791252	DC MOTOR:DIA82.2:63.7W:BRUSHLESS	U007_S001	30
		U012_S001	21
		U012_S002	21
		U012_S003	21
		U012_S004	21
D1791266	PULLEY:DRIVE:DEVELOPMENT ROLLER:59T	U012_S001	22
		U012_S002	22
		U012_S003	22
		U012_S004	22
D1791268	SYNCHRONOUS BELT:80S2M300	U012_S001	23
		U012_S002	23
		U012_S003	23

Number	Part Name	Group	ID
		U012_S004	23
D1791273	GEAR:DRIVE:TRANSPORT SCREW:54Z	U012_S001	24
		U012_S002	24
		U012_S003	24
		U012_S004	24
D1791275	TENSION SPRING:3.8N	U012_S001	25
		U012_S002	25
		U012_S003	25
		U012_S004	25
D1791290	GEAR:IDLER:TRANSPORT SCREW:65Z/53Z	U012_S001	26
		U012_S002	26
		U012_S003	26
		U012_S004	26
D1791297	TIGHTENER:DRIVE:DEVELOPMENT:ASS'Y	U012_S001	27
		U012_S002	27
		U012_S003	27
		U012_S004	27
D1791327	SHAFT:BELT TENSIONER:DRIVE:USED TONER	U010	21
D1791329	PULLEY:TIGHTENER:DIA18	U010	22
D1791505	STOPPER:GUIDE PLATE:VERTICAL TRANSPORT	U001_S001	22
		U001_S002	22
D1792204	COVER:END BLOCK:REAR	U002_S001	18
		U002_S002	18
		U002_S003	18
		U002_S004	18
D1792205	ELECTRODE PLATE:CASE:CHARGE	U002_S001	19
		U002_S002	19
		U002_S003	19
		U002_S004	19
D1792206	STAY:GRID	U002_S001	20
		U002_S002	20
		U002_S003	20
		U002_S004	20
D1792208	END BLOCK:CHARGE CORONA:REAR	U002_S001	21
		U002_S002	21
		U002_S003	21
		U002_S004	21

Exclusive Parts

Number	Part Name	Group	ID
D1792224	CORONA WIRE:CHARGE CORONA	U002_S001	44
		U002_S002	44
		U002_S003	44
		U002_S004	44
D1792237	HOLDER:MOTOR:CHARGE	U002	22
D1792238	SOCKET:CHARGE	U002	23
D1792239	SHAFT:CLEANER:CHARGE:DRIVE:ASS'Y	U002_S009	24
		U002_S010	24
		U002_S011	24
		U002_S012	24
D1792254	DECAL:CHARGE:GRIP	U002_S001_S002	25
		U002_S002_S002	25
		U002_S003_S002	25
		U002_S004_S002	25
D1792445	KNOB:TORQUE LIMITER MECHANICAL CLUTCH:ASS'Y	Special Tools	10
D1792467	LEVER:POSITIONING:CLEANING	U005_S001	127
		U005_S004	127
		U005_S007	127
		U005_S010	127
D1792468	GRIP:DRUM STAY:PCU	U005_S001	51
		U005_S004	51
		U005_S007	51
		U005_S010	51
		U007_S002	31
D1792469	KNOB SCREW:DRUM	U005	52
D1792474	DECAL:DIAL	U005_S001	53
		U005_S004	53
		U005_S007	53
		U005_S010	53
D1792621	SHAFT:DRIVEN ROLLER:SHIFT	U011_S013	203
D1792624	SIDE PLATE:SHIFT:REGISTRATION:FRONT:PEEN	U011_S013	580
D1792627	SIDE PLATE:SHIFT:REGISTRATION:REAR:PEEN	U011_S013	586
D1792631	GUIDE PLATE:SHIFT:REGISTRATION:UPPER	U011_S013	204
D1792642	HOLDER:SHIFT:BEARING:REAR	U011_S013	206

Number	Part Name	Group	ID
D1792643	CAM:REGISTRATION:GATE:RELEASE	U011_S013	207
D1792648	PLATE:ADJUSTING PIN	U011_S013	209
D1792649	BRACKET:GUIDE:SHIFT	U011_S013	210
D1792666	GUIDE PLATE:REGISTRATION:TIMING:UPPER	U011_S013	211
D1792670	GUIDE PLATE:REGISTRATION:TIMING:LOWER	U011_S013	212
D1792675	COVER:REGISTRATION:DOUBLE FEED SENSOR	U011_S013	213
D1792685	CASE:REMOVE PAPER DUST:ASS'Y	U011_S013	214
D1792691	TENSION SPRING:PRESSURE ROLLER	U011_S013	215
D1792698	COMPRESSION SPRING:SHIFT	U011_S013	216
D1792727	SHAFT:TIMING ROLLER:REGISTRATION:DRIVEN	U011_S013	584
D1792754	BRACKET:DC STEPPER MOTOR:APER FEED	U011_S013	217
D1792757	TIGHTENER:BRACKET:DC STEPPER MOTOR	U011_S013	218
D1792758	GEAR:Z41:TIMING PULLEY:T41	U011_S013	219
D1792760	COVER:MOTOR	U011_S013	220
D1792763	CAM:REGISTRATION:TIMING	U011_S013	221
D1792764	SHAFT:CAM:REGISTRATION:TIMING	U011_S013	222
D1792932	ARM:ON-OFF:TRANSPORT ROLLER	U011_S015	227
D1792943	BRACKET:CAM:ON-OFF	U011	228
D1792944	DISC:ON-OFF:SENSOR	U011	229
D1792948	CAM:TRANSPORT ROLLER:ON-OFF	U011	230
D1792952	BRACKET:DC STEPPER MOTOR:DRIVEN:ON-OFF	U011	231
D1793055	SEAL:CASE:FRONT:DEVELOPMENT	U005_S001	134
		U005_S004	134
		U005_S007	134
		U005_S010	134

Exclusive Parts

Number	Part Name	Group	ID
D1793070	GEAR:TRANSPORT SCREW:NO.1	U005_S001	54
		U005_S004	54
		U005_S007	54
		U005_S010	54
D1793071	GEAR:TRANSPORT SCREW:NO.2	U005_S001	55
		U005_S004	55
		U005_S007	55
		U005_S010	55
D1793073	GEAR:IDLER:TRANSPORT SCREW:UPPER:ASS'Y	U005_S001	56
		U005_S004	56
		U005_S007	56
		U005_S010	56
D1793131	RECEPTACLE:DEVELOPMENT VIAS:ASS'Y	U005_S013	57
		U005_S014	57
		U005_S015	57
		U005_S016	57
D1793234	GEAR:TRANSPORT SCREW:LONG:TONER SUPPLY	U004_S001	41
		U004_S002	41
		U004_S003	41
		U004_S004	41
D1793237	GEAR:TRANSPORT SCREW:SHORT:TONER SUPPLY	U004_S001	42
		U004_S002	42
		U004_S003	42
		U004_S004	42
D1793253	GEAR:IDLER:FEED:TONER SUPPLY:1	U004_S001	43
		U004_S002	43
		U004_S003	43
		U004_S004	43
D1793254	GEAR:IDLER:FEED:TONER SUPPLY:2	U004_S001	44
		U004_S002	44
		U004_S003	44
		U004_S004	44
D1793259	GEAR:IDLER:AGITATOR:TONER SUPPLY	U004_S001	45
		U004_S002	45
		U004_S003	45
		U004_S004	45
D1793271	CASE:SHUTTER:TONER SUPPLY	U004	46
D1793272	SHUTTER:TONER SUPPLY:ASS'Y	U004	47

Number	Part Name	Group	ID
D1793275	COIL SPRING:SHUTTER:TONER SUPPLY	U004	48
D1793276	TONER CATCHPAN:TONER SUPPLY	U004	49
D1793376	LEVER:SAFETY SWITCH:TONER SUPPLY UNIT:ASS'Y	U001	23
D1793377	TORSION SPRING:SAFETY SWITCH:TONER SUPPLY UNIT	U001	24
D1793531	TONER CATCHPAN:PIPE:DISCHARGE USED TONER	U005_S003	58
		U005_S006	58
		U005_S009	58
		U005_S012	58
		U007_S002_S001	32
		U007_S002_S002	32
		U007_S002_S003	32
D1793581	BLADE:CLEANING:ASS'Y	U008_S001_S002	28
		U005_S003	59
		U005_S006	59
		U005_S009	59
D1795435	PCB:URRB	U005_S012	59
		U011_S013	232
D1941234	SUPPORTING PLATE:BRACKET:LOCK	U011_S013	149
D1941433	JOINT:DEVELOPMENT SLEEVE:DRIVE:MIDDLE	U012_S001	28
		U012_S002	28
		U012_S003	28
		U012_S004	28
D1941462	HEXAGON HEAD BOLT:DOUBLE SCREW:M4X10	U001	25
D1941481	STOPPER:DRIVEN ROLLER:FRONT LEFT	U006	101
D1941483	BRACKET:DRIVE WERE:TENSION SPRING	U006	102
D1941496	ENCODER:ASS'Y	U011_S013	585
D1942945	HOLDER:CAM:SHIFT	U011_S013	563
D1943564	LEVER:BASE:TONER BANK	U004_S005	50
		U004_S006	50
		U004_S007	50

Exclusive Parts

Number	Part Name	Group	ID
		U004_S008	50
D1943566	GRIP:LEVER:BASE:TONER BANK	U004_S005	51
		U004_S006	51
		U004_S007	51
		U004_S008	51
D1943567	GUIDE:BASE:TONER BANK	U004_S005	52
		U004_S006	52
		U004_S007	52
		U004_S008	52
D1943599	GEAR:RACK:Z12:Z35	U004_S005	53
		U004_S006	53
		U004_S007	53
		U004_S008	53
D1943603	GEAR:DRIVE:TONER BOTTLE:Z14	U004	54
D1943630	DC MOTOR:DRIVE:TONER BOTTLE:ASS'Y:5.85W:BRUSH	U004_S005	55
		U004_S006	55
		U004_S007	55
		U004_S008	55
D1943632	DC MOTOR:SLIDER:TONER BANK:ASS'Y:4.2W:BRUSH	U004_S005	56
		U004_S006	56
		U004_S007	56
		U004_S008	56
D1943702	HOUSING:TONER BANK	U004_S005	97
		U004_S006	97
		U004_S007	97
		U004_S008	97
D1943707	SLIDER:TONER BANK	U004_S005	88
		U004_S006	88
		U004_S007	88
		U004_S008	88
D1943708	SEAL:INNER:SLIDER:TONER BANK	U004_S005	89
		U004_S006	89
		U004_S007	89
		U004_S008	89
D1943709	SEAL:OUTER:SLIDER:TONER BANK	U004_S005	90
		U004_S006	90
		U004_S007	90
		U004_S008	90

Number	Part Name	Group	ID
D1943712	HOLDER:HOOK:CAP:TONER BOTTLE	U004_S005	85
		U004_S006	85
		U004_S007	85
		U004_S008	85
D1943714	HOOK:CAP:TONER BOTTLE	U004_S005	93
		U004_S006	93
		U004_S007	93
		U004_S008	93
D1943715	TORSION SPRING:HOOK:CAP:TONER BOTTLE	U004_S005	94
		U004_S006	94
		U004_S007	94
		U004_S008	94
D1943716	HOOK:UPPER:CAP:TONER BOTTLE	U004_S005	92
		U004_S006	92
		U004_S007	92
		U004_S008	92
D1943723	COMPRESSION SPRING:RACK:HOOK	U004_S005	95
		U004_S006	95
		U004_S007	95
		U004_S008	95
D1943726	SEAL:GEAR:DRIVE:TONER BOTTLE	U004	57
D1944759	BRACKET:LOCK:EXIT	U011_S013	409
D1944804	RUBBER FOOT:TM-96-1	U011	233
		U011_S014	233
		U011_S016	233
		U011_S018	233
D1945480	PCB:CRB	U011_S013_S003	234
D1946061	LEVER:ON-OFF:BLACK:LEFT:FRONT	U006	103
D1946062	LEVER:ON-OFF:BLACK:LEFT:REAR	U006	104
D1946065	PLATE:ROLLER:DRIVEN:BLACK	U006	105
D1946066	LEVER:ON-OFF:BLACK:RIGHT:FRONT	U006	106
D1946067	LEVER:ON-OFF:BLACK:RIGHT:REAR	U006	107
D1946073	PLAIN SHAFT BEARING:SLIDER:O	U006	108

Exclusive Parts

Number	Part Name	Group	ID
	N-OFF:BLACK		
D1946098	HOOK:LEVER:ON-OFF:BLACK:REA R	U006	109
D1946099	HOOK:LEVER:ON-OFF:BLACK:FRO NT	U006	110
D1946176	CAM:ON-OFF:BLACK:AUTOMATIC	U006	111
D1946177	DC STEPPER MOTOR:DIA42:24V	U006	112
D1946396	GROUND PLATE:ROLLER:DRIVEN: LEFT	U006	113
D1946499	GROUND PLATE:ROLLER:DRIVEN: RIGHT	U006	114
D1947175	SHEET:DUCT:OZONE UNIT:C/T BO X	U013	64
D2023890	LED:RED	U004_S005	58
		U004_S006	58
		U004_S007	58
		U004_S008	58
		U006	115
		U011	235
D2235308	HDD:320GB:MN500S-2:WD3200LU CT	U015	39
D2583452	SEAL:PG1	U005_S001	118
		U005_S004	118
		U005_S007	118
		U005_S010	118
D2586321	BLADE:BELT CLEANING:ASS'Y	U008_S001_S002	22
D2702636	GUIDE PLATE:SHIFT:REGISTRATI ON:LOWER	U011_S013	205
D2702647	SHAFT:SHIFT	U011_S013	594
D2702771	ARM:REGISTRATION:TIMING:ASS' Y	U011_S013_S001	601
D2702786	DUCT:FAN:CONTACT IMAGE SEN SOR	U011_S013	596
D3502563	KNOB:MISFEED REMOVAL	U011_S011	236
D3504837	TORSION SPRING:KNOB:MISFEED REMOVAL	U011_S011	237
D3511190	STEPPER MOTOR:PAPER FEED:A SS'Y	U006	116

Number	Part Name	Group	ID
D3553214	GEAR - 30Z	U011_S011	238
D3554608	SPACER:SIDE FENCE:PUSH RIVE T	U011_S011_S004	239
D3724561	SPACER:DIA4	U005	61
D3775852	BRACKET:NIC:VC2:ENGINE	U015	41
D3EW2758	PAWL:TRAY BOTTOM PLATE:AUXI LIARY	U011_S011_S004	611
D3EW2795	PULLEY:ROLLING:LONG:ASS'Y	U011_S011	603
D3EW2796	PULLEY:ROLLING:SHORT:ASS'Y	U011_S011	604
D4342635	TENSION SPRING:POLARIZATION POWL:PRESSURE	U011_S013	240
D4472564	KNOB:TURN	U011_S013	241
D4521094	TENSION SPRING:LOCK:TRAY	U011	242
D4543619	SCREW:CONTACT POINT:M3	U011	243
D5161261	COVER:LED	U011_S007	244
D5161453	DIFFUSION PLATE:LED	U011_S007	245
D5161537	PLAIN SHAFT BEARING:DIA8	U011_S011	246
D5161540	COVER:GRIP:INNER BACK	U011_S011	247
D5161554	TORSION SPRING:DETENT:7N	U011_S011	248
D5161560	SPACER:SHAFT:LINK	U011_S011	249
		U011_S013	249
D5161561	GRIP:PAPER TRAY:LOWER	U011_S011	250
D5161562	GRIP:PAPER TRAY:UPPER	U011_S011	251
D5165200	PCB:LED:ASS'Y	U011_S011	252
D5321185	JOINT:MOTOR:RISE	U011	253
D5323214	GEAR:SMALL:NO.1	U011_S011	254
D5323217	GEAR:NO.2:DRIVE:MIDDLE	U011_S011	255
D5324547	GEAR:NO.4:MIDDLE	U011_S011	256
D5324936	MECHANICAL ROLLER CLUTCH:2. 0N	U001	26
D5481243	STAND:UN LOCK	U001_S002	27
D6882282	SYNCHRONOUS BELT:B40S2M200	U011_S013	610
D6883144	SPACER:UPPER LOWER:SHIFT TR AY	U006	117
D6941014	RUBBER FOOT:BASE	U001_S001	28
D7306036	PCB:GIGAETHERNET:CDE:ASS'Y	U015_S002	42
D7315310	PCB:URTB:DOCUMENT FEEDER:A SS'Y	U011_S013	257

Exclusive Parts

Number	Part Name	Group	ID
D7321023	PLATE:HANDLE:UPPER:NO.1	U011_S011	258
D7321025	PLATE:HANDLE:LOWER:NO.1	U011_S011	259
D7321533	STAY:CONTACT POINT:INNER BACK	U011_S011	260
D7321550	GRIP:SHAFT:LINK	U011_S011	261
D7771047	BRACKET:SLIDE RAIL	U011	262
D7771082	SLIDE RAIL:LEFT:ASS'Y	U011	263
D7771092	SLIDE RAIL:RIGHT:ASS'Y	U011	264
D7771093	STOPPER:TRAY:LOCK	U011	265
D7771094	PLATE:TRAY:LOCK	U011	266
D7771158	BRACKET:TRANSPORT:DRIVE:PLATE	U011_S001	612
D7771159	TIMING BELT:80S2M134	U011_S001	268
D7771161	DUCT:UPPER:VACUUM:ASS'Y	U011	269
D7771166	DUCT:LOWER:VACUUM:ASS'Y	U011_S002	270
D7771168	DRIVE UNIT:PAPER FEED:ASS'Y	U011_S001	267
D7771170	BLOWER:SEAL	U011_S011_S001	271
		U011_S011_S002	271
		U011_S011_S006	271
		U011_S011_S007	271
D7771172	FILTER:VACUUM:EXHAUST	U011_S002	567
D7771178	BRACKET:DRAWER:TRAY:CORE:TENSION	U011	272
D7771179	BRACKET:DRAWER:CORE	U011	273
D7771181	GEAR:RISE:DRIVE	U011	274
D7771187	SHAFT:RISE:DRIVEN	U011	275
D7771188	GEAR:RISE:DRIVEN	U011_S011	276
D7771191	CLUTCH/BRAKE:TURN	U011	277
D7771194	BLOWER:SEAL:ADHESION	U011_S003	271
		U011_S004	271
D7771197	SHAFT:PAPER FEED:DRIVE:ASS'Y	U011_S001_S001	278
		U011_S001_S002	278
D7771206	COVER:PAPER TRAY:LOWER:ASS'Y	U011_S007	279
D7771331	DECAL:PAPER:SUPPLY	U011_S011	280
D7771333	DECAL:SIZE INDICATION:(1)	U011_S011_S004	281

Number	Part Name	Group	ID
D7771334	DECAL:SIZE INDICATION:(2)	U011_S011_S004	282
D7771335	DECAL:TRAY BOTTOM PLATE:CAUTION	U011_S011_S004	283
D7771337	DECAL:POSITIONING DISPLAY:SCALE	U011_S011_S004	284
D7771338	DECAL:DESIGN SKETCH:PAPER VOLUME	U011_S011	285
D7771440	DAMPER:TRAY:LEFT:ASS'Y	U011_S008	592
D7771445	DAMPER:TRAY:RIGHT:ASS'Y	U011_S009	593
D7771454	OIL DAMPER:TRAY:SET:8N	U011_S008	286
		U011_S009	286
D7771463	BRACKET:DAMPER:SUPPORT:SMALL	U011_S008	290
		U011_S009	290
D7771466	SPRING:DAMPER:TRAY	U011_S008	292
		U011_S009	292
D7772508	GRIP:BELT UNIT	U011_S010	295
D7772509	PAPER FEED UNIT:ASS'Y	U011_S010	597
D7772520	SHAFT:DRIVE:FLAT BELT-PICKUP:ASS'Y	U011_S010_S001	296
D7772521	DISCHARGE BRUSH:BELT UNIT	U011_S010	297
D7772527	COVER:FRONT	U011_S010	294
D7772531	PULLEY:FLAT BELT-PICKUP:DRIVE:ASS'Y	U011_S010_S002	298
D7772536	PULLEY:FLAT BELT-PICKUP:DRIVEN:ASS'Y	U011_S010_S003	299
D7772546	CHAMBER:FLAT BELT-PICKUP:CONCAVE:2MM	U011_S010	598
D7772551	DUCT:BELT UNIT	U011_S010	300
D7772554	PICKUP BELT:VACUUM:INSPECTION	U011_S010	301
D7772561	BRACKET:DRAWER:CONNECTOR	U011_S010	302
D7772565	SHAFT:BELT TENSIONER	U011_S010	303
D7772571	DUCT:SIDE:BLOWER:SUB-ASS'Y	U011_S011_S001	395
D7772576	DUCT:SIDE:BLOWER:REAR:ASS'Y	U011_S011_S002	396
D7772632	SIDE PLATE:TRAY:REAR:PEEN	U011_S011	565
D7772634	HOOK:WIRE:FRONT	U011_S011	581
D7772636	ADJUSTING PLATE:DRUM STAY:UPPER	U011_S011	590

Exclusive Parts

Number	Part Name	Group	ID
D7772639	SIDE PLATE:TRAY:LEFT UPPER	U011_S011	577
D7772645	BRACKET:DRAWER:TRAY:CAVITY	U011_S011	305
D7772646	SIDE PLATE:TRAY:RIGHT UPPER: PEEN	U011_S011	578
D7772651	STAY:SIDE FENCE:LOWER:DIA8.2	U011_S011	306
D7772652	COMPRESSION SPRING:SIDE FEN CE:LOCK:10N	U011_S011	307
D7772653	STAY:SIDE FENCE:SUPPORTING PLATE	U011_S011	308
D7772654	LEVER:SIDE FENCE:SIDE:RELEAS E PLATE:LOCK	U011_S011	309
D7772655	SHEET:HOOK:WIRE:FRONT	U011_S011	569
D7772657	SHEET:HOOK:WIRE:REAR	U011_S011	570
D7772659	PLATE:PAPER:GUIDE:SIDE FENCE	U011_S011	321
D7772663	COVER:SIDE FENCE:FRONT	U011_S011	310
D7772665	FIX STAND:SIDE FENCE:FRONT	U011_S011	311
D7772673	COVER:SIDE FENCE:REAR	U011_S011	312
D7772675	FIX STAND:SIDE FENCE:REAR	U011_S011	313
D7772681	SHAFT:BASE:SIDE FENCE	U011_S011	314
D7772682	HOLDER:SHAFT:SIDE FENCE:OUT ER	U011_S011	315
D7772683	HOLDER:SHAFT:SIDE FENCE:INN ER	U011_S011	316
D7772686	DC SOLENOID:LINK:SIDE:ASS'Y	U011_S011	317
D7772688	BRACKET:SOLENOID:SHUTTER	U011_S011	318
D7772691	SIDE FENCE:FRONT	U011_S011	319
D7772693	SIDE FENCE:REAR	U011_S011	320
D7772698	COIL SPRING:PLATE:PAPER:SIDE FENCE:0.8N	U011_S011	322
D7772712	SHAFT:LINK	U011_S011	323
D7772713	BRACKET:LEVER:RATCHET:END F ENCE	U011_S011	324
D7772714	PLATE:RATCHET	U011_S011	325
D7772715	COVER:END FENCE:LEVER	U011_S011	326
D7772716	FEELER:PAPER SIZE SENSOR	U011_S011	327
D7772717	SHAFT:END FENCE:UPPER	U011_S011	328
D7772718	LEVER:END FENCE	U011_S011	329
D7772719	BASE:PLATE:END FENCE	U011_S011	330

Number	Part Name	Group	ID
D7772730	PLATE:END FENCE:ASS'Y	U011_S011_S003	331
D7772735	PLATE:AUXILIARY:SMALL:ADHESI ON	U011_S011	332
D7772738	COMPRESSION SPRING:END FEN CE:LOCK	U011_S011	333
D7772741	GUIDE ROD:END FENCE	U011_S011	334
D7772742	MAGNETIC:SHEET:END FENCE	U011_S011	566
D7772743	SUPPORTER:END FENCE:REAR	U011_S011	335
D7772744	COMPRESSION SPRING:END FEN CE:LOCK	U011_S011	434
D7772745	ROLLER:TRAY BOTTOM PLATE:R EAR RIGHT:SUB-ASS'Y	U011_S011_S004 S001	571
D7772746	ROLLER:TRAY BOTTOM PLATE:FR ONT RIGHT:SUB-ASS'Y	U011_S011_S004 S002	572
D7772747	SUPPORTER:END FENCE:FRONT	U011_S011	336
D7772749	FIX STAND:END FENCE	U011_S011	337
D7772750	TRAY BOTTOM PLATE:ASS'Y	U011_S011_S004	573
D7772752	FEELER:SENSOR:TRAY:BASE	U011_S011_S004	338
D7772753	TRAY BOTTOM PLATE:AUXILIARY: SMALL	U011_S011_S004	343
D7772756	TRAY BOTTOM PLATE:RIGHT	U011_S011_S004	339
D7772757	TRAY BOTTOM PLATE:LEFT	U011_S011_S004	340
D7772769	COLLAR:BASE	U011_S011_S004	574
D7772782	PAWL:TRAY BOTTOM PLATE:AUXI LIARY:LARGE	U011_S011	341
D7772784	COVER:WIRE:PULLEY	U011_S011	304
D7772790	PLATE:AUXILIARY:SMALL	U011_S011	345
D7772794	STAY:END FENCE	U011_S011	346
D7772814	PLATE:LED	U011_S011	349
D7772817	SHAFT:LINK:SHORT	U011_S011	350
D7772824	PLATE:LINK	U011_S011	351
D7772825	SHAFT:MISFEED REMOVAL:NO.3: ASS'Y	U011_S011_S005	352
D7772827	SHAFT:MISFEED REMOVAL:NO.2	U011_S011	353
D7772828	SHAFT:MISFEED REMOVAL:NO.1	U011_S011	354
D7772829	BRACKET:MISFEED REMOVAL	U011_S011	355
D7772832	BRACKET:GEAR:COUPLING	U011_S011	356
D7772834	SHAFT:GEAR:COUPLING	U011_S011	357

Exclusive Parts

Number	Part Name	Group	ID
D7772836	SHAFT:LINK:LONG	U011_S011	358
D7772842	PULLEY:RISE	U011_S011	359
D7772843	COVER:WIRE:TRAY BOTTOM PLATE	U011_S011	360
D7772844	SHAFT:RISE	U011_S011	361
D7772847	GEAR:RISE	U011_S011	362
D7772854	END RING:COIL SPRING:DIA12	U011_S011	363
D7772855	COVER:WIRE:TRAY BOTTOM PLATE	U011_S011	364
D7772865	DUCT:FRONT:BLOWER:ASS'Y	U011_S011_S008	365
D7772875	DC SOLENOID:FRONT	U011_S011	366
D7772876	TENSION SPRING:AIR VALVE	U011_S011	367
D7772905	STAY:SIDE FENCE:SIDE	U011_S011	368
D7772906	TRIGGER:SIDE FENCE:FIX	U011_S011	369
D7772907	SHAFT:SIDE FENCE:ROLLER	U011_S011	370
D7772908	COMPRESSION SPRING:FIX:10N	U011_S011	371
D7772909	SLIDER:SIDE FENCE:FRONT LENGTHWISE	U011_S011	372
D7772913	TRANSPORT ROLLER:GRIP	U011_S011	373
D7772914	GUIDE PLATE:TRANSPORT SUB-UNIT:TRAY:UPPER	U011_S011	374
D7772918	GUIDE PLATE:TRANSPORT SUB-UNIT:TRAY:LOWER	U011_S011	375
D7772923	COVER:TRANSPORT SUB-UNIT:TRAY	U011_S011	377
D7772924	OIL DAMPER:0.06N	U011_S011	378
D7772951	SHAFT:GEAR:INPUT	U011_S011	381
D7772954	SHAFT:GEAR:OUTPUT	U011_S011	382
D7772955	FEELER:PAPER VOLUME SENSOR	U011_S011	383
D7772966	SLIDER:SIDE FENCE:SUB	U011_S011	384
D7772967	SLIDER:SIDE FENCE:MAIN	U011_S011	385
D7772968	RACK:SIDE FENCE	U011_S011	386
D7772969	TORSION SPRING:SIDE FENCE	U011_S011	387
D7772971	PLATE:LINK:SIDE:LOCK	U011_S011	388
D7772972	LINK:SIDE FENCE:SUB	U011_S011	389
D7772973	LINK:SIDE FENCE:MAIN	U011_S011	390
D7772976	SLIDER:SIDE FENCE:DRIVEN:LENGTHWISE	U011_S011	391

Number	Part Name	Group	ID
D7772978	LEVER:SIDE FENCE:SIDE	U011_S011	393
D7772979	COVER:SIDE FENCE:LOCK:REAR	U011_S011	394
D7772987	SHAFT:SIDE FENCE:LENGTHWISE	U011_S011	397
D7772988	GUARD:BLOWER	U011_S011	398
D7772989	SHAFT:SIDE FENCE:CONTACT POINT	U011_S011	399
D7772996	END FENCE:TAB	U011_S011	400
D7773000	STAY:SLIDE RAIL:PEEN	U011_S011	617
D7773009	GEAR:RISE:DRIVEN:ASS'Y	U011_S005	599
D7773013	BRACKET:DAMPER:PEEN	U011_S011	379
D7773018	BRACKET:GEAR:PEEN	U011_S011	380
D7773020	BRACKET:DAMPER:GEAR:PLATE	U011_S011	579
D7773077	COVER:SIDE FENCE:LOCK:FRONT	U011_S011	615
D7773126	TIMING PULLEY:DRIVE:T25S2M	U011_S001	401
D7773529	COMPRESSION SPRING:TRANSPORT:15N	U011_S011	402
D7777769	STUD:PAPER TRAY	U011_S011_S004	575
D7779070	TRAY BOTTOM PLATE:AUXILIARY:PEEN	U011_S011_S004	403
G0143291	SNAP RING - PICK UP	U006	118
G0205835	RELEASE SPRING - FUSING DRIVE	U011	404
G0291980	DECAL - LD	U003_S001	8
		U003_S002	8
		U003_S003	8
		U003_S004	8
		U005_S002	62
		U005_S005	62
		U005_S008	62
		U005_S011	62
		U012_S001	29
		U012_S002	29
		U012_S003	29
		U012_S004	29
G0602296	BALL BEARING:8X16X5MM	U010_S001	23
		U011_S013	405
G0603293	SPACER:6.1X8.5X0.5	U011_S013	600
G0606035	DETENT ROLLER	U011_S011	406

Exclusive Parts

Number	Part Name	Group	ID
G0703088	SPACER:DEVELOPMENT ROLLER	U011_S013	407
G0801169	SCREW:M3	U007_S003_S001	33
		U008_S001_S002	29
		S002	
G1073834	RIVET - 2.0	U011_S013	408
G1111051	FAN MOTOR - DC 24V 4.32W	U013	46
		U014	11
		U015	43
G1781134	HEXAGONAL BOLT:M20X70	U015	44
G1781138	SCREW WITH WASHER:M6X14	U015	45
G1781141	HOLDER:STAND:M20	U017	9
G1781152	STOPPER:C/T BOX:LOWER	U015	46
G1781165	HINGE:PIN:UPPER:PEEN	U015	47
G1781169	COVER:LEAK BREAKER	U015	48
G1781195	HINGE:PIN:LOWER:PEEN	U015	49
G1781199	HINGE:MAIN:PEEN	U015	50
G1781200	HINGE:MAIN:HOLDER	U015	51
G1781230	GROUND PLATE:C/T BOX:PEEN	U015	52
G1781282	GEAR:CHARGE:CLEANER:Z51	U002	26
G1781291	JOINT:TRANSPORT SCREW:NO.2	U012_S001	30
		U012_S002	30
		U012_S003	30
		U012_S004	30
G1781311	TERMINAL:CHARGE	U002	27
G1781313	SPRING:PLATE:RIGHT:CHARGE	U002	28
G1781316	SPRING:PLATE:LEFT:CHARGE	U002	29
G1781433	STEPPING MOTOR - DC 9.52W	U008	30
G1782510	CLEANER:CORONA WIRE:ASS'Y	U002_S001	31
		U002_S002	31
		U002_S003	31
		U002_S004	31
G1782512	COVER:END BLOCK:FRONT	U002_S001	32
		U002_S002	32
		U002_S003	32
		U002_S004	32
G1782516	END BLOCK:CHARGE CORONA:FRONT	U002_S001	33
		U002_S002	33
		U002_S003	33

Number	Part Name	Group	ID
		U002_S004	33
G1782521	SLIDER:CLEANER:CHARGE CORONA:ASS'Y	U002_S001	34
		U002_S002	34
		U002_S003	34
		U002_S004	34
G1782522	RING:SLIDER	U002_S001	35
		U002_S002	35
		U002_S003	35
		U002_S004	35
G1782553	HOLDER:ELECTRIC POTENTIAL SENSOR	U013	47
G1782570	SCREW SHAFT:CHARGE CORONA:ASS'Y	U002_S001_S001	36
		U002_S002_S001	36
		U002_S003_S001	36
		U002_S004_S001	36
G1782605	TENSION SPRING:CORONA WIRE	U002_S001	37
		U002_S002	37
		U002_S003	37
		U002_S004	37
G1782718	HOLDER:DRUM:REMOVER/INSTALL:FRONT	U005	63
G1783232	TERMINAL:DEVELOPMENT ROLLER	U006	119
G1783232C	TERMINAL:DEVELOPMENT ROLLER	U006	120
G1783271	HOLDER:SLIDE RAIL:DEVELOPMENT UNIT	U005	65
G1783356	GEAR:JOINT:DEVELOPMENT UNIT	U005_S001	67
		U005_S004	67
		U005_S007	67
		U005_S010	67
G1783517	ROLLER:RELEASE	U008_S001_S002	31
		S003	
		U008_S001_S002	31
		S004	
G1783672	CAP:PIPE:DISCHARGE USED TONER	U005_S003	68
		U005_S006	68
		U005_S009	68

Exclusive Parts

Number	Part Name	Group	ID
		U005_S012	68
		U007_S002_S001	34
		U007_S002_S002	34
		U007_S002_S003	34
		U008_S001_S002	32
G1783687	TENSION SPRING:CLEANING BLADE	U005_S003	69
		U005_S006	69
		U005_S009	69
		U005_S012	69
G1784818	SPRING:PULL OUT:LOCK:EXIT	U011_S013	410
G1784822	SPRING:PRESSURE:0.8N:DIA0.65	U011_S014	411
		U011_S018	411
G1784847	LEVER:PULL OUT:TRANSPORT	U011_S013	412
G1784852	RUBBER FOOT:7086082	U011	413
G1784900	COVER:DC STEPPER MOTOR:MM56	U011	414
		U011_S013	414
G1785397	PCB:SIFB:CROSS	Special Tools	22
G1785493	LEVER:SAFETY SWITCH:FRONT	U015	54
G1786192	GROUND PLATE:STAY:FRONT	U015	55
G1786193	GROUND PLATE:C/T BOX:UPPER	U015	56
G1786352	GUIDE PLATE:ENCODER	U011_S013	415
G1786392	HOUSING:LOWER:COVER	U006	121
G1786393	SLEEVE:WIRE:LOWER:COVER	U006	122
G1786394	WIRE:STOPPER:LOWER:COVER	U006	123
G1786448	PLATE:GROUND PLATE:DRIVEN ROLLER	U006	124
G1786952	COVER:FRONT:TONER COLLECTION	U010	24
G1786961	COVER:COLLECTION BOTTLE:UPPER	U010	25
G1786972	BRACKET:SENSOR:TONER COLLECTION	U010	26
G1786977	HOLDER:BEARING:NO.1:TONER RECYCLING	U010_S003	60
G1786990	TORQUE LIMITER	U010_S003	28
G1786999	HOLDER:BEARING:TONER RECYCLING:ASS'Y	U010_S003_S001	61
G1787004	SPRING	U010	29

Number	Part Name	Group	ID
G1787013	COVER:COLLECTION BOTTLE:LEFT	U010	30
G1787017	SPRING:LATCH	U010	31
G1787018	SHUTTER:TONER RECYCLING	U010_S003	62
G1787021	GEAR:DRIVE:TONER COLLECTION:UPPER	U010_S003	32
G1787032	COVER:LATCH:TONER COLLECTION	U010	33
G1787033	DOOR:LATCH:TONER COLLECTION	U010	34
G1787034	CUSHION:COLLECTION BOTTLE	U010	35
G1787036	SHAFT:LATCH:TONER COLLECTION	U010	36
G1787056	PIPE:NO.1:HORIZONTAL TRANSPORT:TONER RECYCLING	U010_S003	63
G1787061	STAY:DOOR:TONER COLLECTION	U010	37
G1787070	SPRING:SHUTTER:TONER COLLECTION	U010_S003	38
G1787076	PLATE:PIPE:STOPPER:TONER COLLECTION	U010	39
G1787077	CAP:PIPE:BOTTLE:TONER COLLECTION	U010_S003	40
G1787080	HOLDER:SENSOR:TONER COLLECTION	U010	41
G1787082	PLATE:SENSOR:TONER RECYCLING	U010_S003	64
G1787132	SEAL:DUCT:SIROCCO:LEFT	U015	57
G1787147	SEAL:DUCT:OZONE FILTER:FRONT	U015_S005	58
G1787148	COVER:FILTER:PREVENTFENCE	U015	59
G1787235	CASE:FILTER:PREVENTFENCE:UPPER	U015	60
G1787239	FILTER:ENTRANCE	U015	61
G1787246	SEAL:DUCT:SIROCCO:UPPER	U015	62
G1787286	FILTER:ENTRANCE:DEVELOPMENT	U015	63
G1787295	SEAL:DUCT:FAN	U015	64
G1787515	CONNECTOR GUIDE PIN:CONNECTOR	U006	125

Exclusive Parts

Number	Part Name	Group	ID
	TOR	U011_S013	416
G1787660	PRESSURE ROLLER:TRANSPORT ROLLER	U011_S013	417
G1787664	SPACER	U011_S013	418
G1787667	RUBBER FOOT	U010	42
G1787670	WASHER:455554	U011	419
G1787784	BRACKET:GUIDE:PAPER FEED	U011	420
G1787785	GUIDE:ENTRANCE:LCT:UPPER	U011	421
G1787786	GUIDE:ENTRANCE:UPPER:LOWE R	U011	422
G1787793	SCREW:REGISTRATION:FIX	U011_S013	423
G1787814	DECAL:COLLECTION BOTTLE:DO OR	U010	43
G1787816	STOPPER:PIPE:TONER RECYCLIN G	U010_S003	65
G1787817	GEAR:IDLER:TONER RECYCLING: UPPER:ASS'Y	U010_S003	44
G1787829	COMPRESSION SPRING:TONER R ECYCLING	U010_S003	45
G1788442	DECAL:TERMINAL:NEUTRAL	U013	48
G5692836	TIMING PULLEY - 20T	U011_S011	424
GA043018	SYNCHRONOUS BELT:B100S2M19 0	U007_S001	96
GA043031	SYNCHRONOUS BELT:S2M:4X316	U010	46
GA043046	SYNCHRONOUS BELT:60S2M234	U011	613
GA060107	TENSION SPRING:DC STEPPER M OTOR:SEPARATION/TRANSPORT	U009_S001	17
GA060110	TENSION SPRING:BRACKET:DC S TEPPER MOTOR:ON-OFF	U006	126
GA060111	TENSION SPRING:CLEANING BLA DE:TRANSFER/SEPARATION	U008_S001_S002	33
GA060112	COIL SPRING:COATING BAR	U008_S001_S002	34
GA063082	COMPRESSION SPRING:PRESSU RE:END FENCE	U011	426
GA063106	COMPRESSION SPRING:SHUTTE R:DISCHARGE USED TONER	U008_S001_S002	35
GA066056	TORSION SPRING:TERMINAL:ROL	U006	127

Number	Part Name	Group	ID
	LER:OPPOSED:TRANSFER ROLLE R		
GA066057	TORSION SPRING:EARTH:DRIVEN ROLLER:INNER BACK	U009_S001	18
GA066058	TORSION SPRING:EARTH:DRIVEN ROLLER:FRONT MIDDLE	U009_S001	19
GB010060	GEAR:IDLER:NO.2	U007_S002_S004	35
GB010061	GEAR:IDLER:NO.3	U007_S002_S004	36
GB010062	GEAR:OUTPUT	U007_S002_S004	37
GB011170	GEAR:DRIVE:CLEANING	U007_S001	38
GB011204	GEAR:ROLLER:TENSION	U008_S001_S001	36
GB011205	GEAR:BRUSH:APPLY	U008_S001_S002	37
GB011206	GEAR:IDLER:NO.1	U008_S001_S002	38
GB011207	GEAR:IDLER:NO.2	U008_S001_S002	39
GB017060	GEAR:PULLEY:DRIVE	U007_S001	39
GB017061	GEAR:PULLEY:APPLY	U007_S001	40
GB017062	PULLEY:GEAR:40Z/53Z	U007_S002_S004	41
GB017063	PULLEY:GEAR:ROLLER:COLLECT	U007_S002_S001	42
		U007_S002_S002	42
		U007_S002_S003	42
GB017064	GEAR:IDLER:TRANSPORT SCREW	U007_S002_S001	43
		U007_S002_S002	43
		U007_S002_S003	43
GB030060	PULLEY:BRUSH:APPLY:Z30	U007_S001	44
GB030061	PULLEY:DRIVE:INPUT	U007_S002_S004	45
GB030062	PULLEY:BRUSH ROLLER	U007_S002_S001	46
		U007_S002_S002	46
		U007_S002_S003	46
GW010009	DENSITY SENSOR	U011_S013	427
GW020024	PHOTOINTERRUPTOR:LG2A24BL1 :GF	U011_S011	605
GW230008	TONER END SENSOR	U004_S001	59
		U004_S002	59
		U004_S003	59
		U004_S004	59
GX060019	STEPPER MOTOR:PM42L048RBG8	U004_S001	60
		U004_S002	60
		U004_S003	60

Exclusive Parts

Number	Part Name	Group	ID
		U004_S004	60
GX062153	DC BRUSHLESS MOTOR:TRANSF ER:TRANSPORT:23W	U012_S001	31
		U012_S002	31
		U012_S003	31
		U012_S004	31
GX640028	FAN MOTOR DC24V 1.92W	U011	428
		U011_S013	428
GX640030	FAN MOTOR:SIROCCO:DC 1.92W	U011_S013	429
GX640031	FAN MOTOR:DC:2.64W	U009_S001	20
H0722220	SPACER - M6X10	U007_S001	47
H3061372	FRONT TIMING BELT	U011	430
J0155505	DRAWER:CONNECTOR:USED DEV ELPER:PLUG	U005_S003	70
		U005_S006	70
		U005_S009	70
		U005_S012	70
		U007_S003	48
J0254116	TIMING PULLEY:PUMP	U009_S001	21
M0261190	DC STEPPER MOTOR:REGIST:1.3 4W	U009_S001	22
M0771189	GUARD:FAN:PREVENTFENCE:UP PER	U015	65
M0771861	TUBE TYPE LAMP:TAC:ASS'Y	U001	77
M0772626	DISCHARGE LAMP:ASS'Y	U005_S001	71
		U005_S004	71
		U005_S007	71
		U005_S010	71
M0773390	SEAL:DRUM:FRONT	U005_S001	135
		U005_S004	135
		U005_S007	135
		U005_S010	135
M0773480	SEAL:CASE:REAR:DEVELOPMENT UNIT	U005_S001	136
		U005_S004	136
		U005_S007	136
		U005_S010	136
M0774240	GRIP:FUSING UNIT:ASS'Y	Special Tools	12
M0775490	POWER PACK:TRANSFER	U006	128
M0777011	COVER:RIGHT:TONER RECYCLIN G:ASS'Y	U010	47

Number	Part Name	Group	ID
M0777236	CASE:FILTER:PREVENTFENCE:LO WER	U015	66
M0777290	SEAL:COVER:OZONE FILTER	U015	67
M0B11063	ARM:SAFETY SWITCH:UPPER:AS S'Y	U015	123
M0B11276	GRIP:COVER:CONTROL UNIT	U015_S001	124
M0B11280	CASTER	U015	122
M0B11328	ANTISTATIC BRUSH:DRUM	U012_S001	46
		U012_S002	46
		U012_S003	46
		U012_S004	46
M0B11351	SEAL:HOUSING:DRIVE:INTERMED IATE TRANSFER:NO.1	U006_S006	240
M0B11352	SEAL:HOUSING:DRIVE:INTERMED IATE TRANSFER:NO.2	U006_S006	241
M0B11353	SEAL:HOUSING:DRIVE:INTERMED IATE TRANSFER:NO.3	U006_S006	242
M0B11354	SEAL:HOUSING:DRIVE:INTERMED IATE TRANSFER:NO.4	U006_S006	243
M0B11355	SEAL:HOUSING:DRIVE:INTERMED IATE TRANSFER:NO.5	U006_S006	244
M0B11356	SEAL:HOUSING:DRIVE:INTERMED IATE TRANSFER:NO.6	U006_S006	245
M0B11360	SERVICE PARTS:SEAL:HOUSING: DRIVE:MIDDLE	U006_S006	246
M0B11361	SYNCHRONOUS BELT:40S2M142	U006	251
M0B11368	POSITIONING SENSOR:FLAT BELT -TRANSFER:ASS'Y	U006_S001	230
M0B11485	DIAPHRAGM SPRING:ASS'Y	U006_S002	252
M0B11575	STEPPED SCREW:DIAPHRAGM S PRING:ASS'Y	U006_S002	253
M0B11580	HOLDER:ENCODER:ASS'Y	U006	254
M0B11582	STEPPED SCREW:M4:DIA10	U006_S002	255
M0B11607	BRACKET:MICRO SWITCH:TONER SUPPLY SUB-UNIT:COVER	U001	80
M0B11624	HINGE:DOOR:RIGHT FRONT	U001_S001	82
M0B11626	BRACKET:COUPLING:DOOR	U001_S001	83
M0B11631	HINGE:DOOR:LEFT FRONT	U001_S002	84

Exclusive Parts

Number	Part Name	Group	ID
M0B11634	BRACKET:COUPLING:DOOR:LEFT LENGTHWISE	U001_S002	85
M0B11668	BRACKET:SAFETY SWITCH:TONE R SUPPLY UNIT:PEEN	U001	81
M0B12063	SHIELD GLASS:ASS'Y	U003_S001	12
		U003_S002	12
		U003_S003	12
		U003_S004	12
M0B12130	ROLLER:FIX:INTERMEDIATE TRANSFER:PRESS FIT	U006	257
M0B12370	GRIP:PHOTOCONDUCTOR	U005	145
M0B12410	BRACKET:GUARD:HEATER	U011	595
M0B13168	INNER COVER:TONER BANK	U004_S005	83
		U004_S006	83
		U004_S007	83
		U004_S008	83
M0B13320	JIG:SHEET:DOCTOR BLADE	Special Tools	25
M0B13333	DECAL:DESIGN SKETCH:TONER BOTTLE:LED	U004	86
M0B13380	SPONGE:COUPLING:TONER SUPPLY:DEVELOPMENT UNIT	U005_S001	140
		U005_S004	140
		U005_S007	140
		U005_S010	140
M0B13500	CLEANING UNIT:ASS'Y	U005_S003	139
		U005_S006	139
		U005_S009	139
		U005_S012	139
M0B13546	ROLLER:COLLECT:ASS'Y	U005_S003	141
		U005_S006	141
		U005_S009	141
		U005_S012	141
M0B13652	BLADE:APPLY:ASS'Y	U005_S003	138
		U005_S006	138
		U005_S009	138
		U005_S012	138
M0B13701	BRACKET:PLATE:DRIVE ROLLER	U009_S001	31
M0B13702	DRIVE ROLLER:SEPARATION/TRANSPORT:PRESS FIT	U009_S001	32

Number	Part Name	Group	ID
M0B13774	SERVICE PARTS:CLEANING UNIT:INTERMEDIATE TRANSFER:NO.3	U007_S002_S003_S001	101
M0B13779	SERVICE PARTS:CLEANING UNIT:INTERMEDIATE TRANSFER:NO.1	U007_S002_S001_S001	99
M0B13788	SERVICE PARTS:CLEANING UNIT:INTERMEDIATE TRANSFER:NO.2	U007_S002_S002_S001	100
M0B15122	(NA):SERVICE PARTS:POWER SUPPLY CORD:RIGHT:ASS'Y	U013_S003	68
M0B15123	(EU/AA):SERVICE PARTS:POWER SUPPLY CORD:RIGHT:ASS'Y	U013_S004	69
		U013_S005	69
M0B15349	PCB:TDRB	U006	233
M0B15888	HARNESS:DEBUG:MONITOR:SERVICE	Special Tools	23
M0B16192	(C/M/Y):ROLLER:INTERMEDIATE TRANSFER:ASS'Y	U006	260
M0B16362	TRANSFER/TRANSPORT BELT:NO.2:ASS'Y	U008_S001_S001	74
M0B16550	FRAME:TENSION:INTERMEDIATE TRANSFER:WELDING	U006	256
M0B16573	COLLECTION BOTTLE:TONER RECYCLING:ASS'Y	U010	56
M0B19013	DECAL:H-TEMP WARNING:REGISTRATION:LEFT	U011	608
M0EB4670	RADIAL BALL BEARING:REGISTRATION:DRIVEN:FRONT	U011_S013	620
M0EB4671	RADIAL BALL BEARING:REGISTRATION:DRIVEN:REAR	U011_S013	621
M0ED1647	COVER:UPPER FRONT:SUB-ASS'Y	U001_S003	90
M0ED9510	OPC DRUM DIA100	U005	149
M0EDA055	BRACKET:SAFETY SWITCH:COVER:UPPER FRONT	U015	128
M0EDA056	DOOR CATCH:MAGNETIC	U001_S003	91
M0EDA057	SHAFT:CONTACT POINT:PUSH SWITCH	U015	129
M0EDB137	BRACKET:DRIVE SUB-UNIT:DEVELOPMENT:ASS'Y	U012_S001	49
		U012_S002	49
		U012_S003	49
		U012_S004	49

Exclusive Parts

Number	Part Name	Group	ID
M0EDC611	BRACKET:HINGE:TONER SUPPLY SUB-UNIT:RIGHT	U001	87
M0EDC680	SHAFT:MECHANICAL ROLLER CONTACT	U001	88
M0EDF523	HOLDER:DRUM:REMOVER/INSTALL:REAR	U005	148
M0EDF543	SEAL:INNER COVER:PCU:LOWER	U005_S002	150
		U005_S005	150
		U005_S008	150
		U005_S011	150
M0EDG468	BRACKET:BELT UNIT:FRONT	U011	618
M0EDK155	VACUUM	U009_S001	34
M0EDR763	CLEANING BLADE:ROLLER:COLLECT:ASS'Y	U007_S002_S001	105
		U007_S002_S002	105
		U007_S002_S003	105
M1092305	SPONGE:SIDE:LOWER	U011_S013_S004	561
M1305245	PCB:DDR3-DIMM:RC-C:1GB:ASS'Y	U015_S003	68
		U015_S004	68
M2050182	CLEANING UNIT:INTERMEDIATE TRANSFER:ASS'Y	U007_S002	98
M2050635	BELT UNIT:TRANSFER/SEPARATION SECTION:ASS'Y	U008_S001	76
M2050636	BELT CLEANING:TRANSFER/SEPARATION:ASS'Y	U008_S001_S002	41
M2050639	BELT UNIT:TRANSFER/SEPARATION:ASS'Y	U008_S001_S001	78
M2051035	PIN:POSITIONING:FRAME	U015	112
M2051056	STUD:POSITIONING:INTERMEDIATE TRANSFER:PEEN	U015	111
M2051057	COVER:SAFETY SWITCH:DOOR:FRONT	U015	70
M2051058	BRACKET:SAFETY SWITCH:DOOR:FRONT	U015	71
M2051090	HEXAGON HEAD BOLT WITH WASHER:M8X16	U015	113
M2051095	SLIDE RAIL:INTERMEDIATE TRANSFER	U015	72
M2051119	COVER:INNER COVER:PAPER FEED	U015	73

Number	Part Name	Group	ID
	ED:UPPER		
M2051148	COVER:SAFETY SWITCH:LOWER FRONT	U015	74
M2051202	SEAL:DUCT:CHARGE:COMMON:LOWER	U015	75
M2051207	SEAL:STAY:MIDDLE	U015	76
M2051220	FILTER:POWER SUPPLY UNIT:ENTRANCE	U015	77
M2051250	COVER:CONTROL UNIT:UPPER	U015	78
M2051252	COVER:CONTROL UNIT:REAR UPPER:ASS'Y	U015_S001	79
M2051256	COVER:CONTROL UNIT:RIGHT LOWER:COAT	U015	80
M2051265	COVER:CONTROL UNIT:LEFT LOWER	U015	81
M2051269	SD-CARD:ASS'Y	U016_S002	7
M2051296	COVER:CONNECTOR:C/T BOX	U015	83
M2051305	SHAFT:DRIVE:TRANSPORT SCREW:ASS'Y	U012_S001	41
		U012_S002	41
		U012_S003	41
		U012_S004	41
M2051308	SHAFT:DRIVE:CLEANER:ASS'Y	U012_S001_S001	36
		U012_S002_S001	36
		U012_S003_S001	36
		U012_S004_S001	36
M2051322	HOLDER:ANTISTATIC BRUSH:PHOTOCONDUCTOR	U012_S001	38
		U012_S002	38
		U012_S003	38
		U012_S004	38
M2051333	DRIVE UNIT:IMAGING:ASS'Y	U012_S001	45
		U012_S002	45
		U012_S003	45
		U012_S004	45
M2051347	SHAFT:DRIVE:DEVELOPMENT SLIDEEVE:ASS'Y	U012_S001_S002	42
		U012_S002_S002	42
		U012_S003_S002	42
		U012_S004_S002	42
M2051351	DC MOTOR:DIA63:24V:23.1W	U006	129

Exclusive Parts

Number	Part Name	Group	ID
M2051358	HOUSING:DRIVE:INTERMEDIATE TRANSFER:ASS'Y	U006	225
M2051360	GEAR:DRIVE:INTERMEDIATE TRANSFER	U006	130
M2051361	DRIVE ROLLER:INTERMEDIATE TRANSFER	U006	131
M2051363	ROLLER:POSITIONING CONTROL:FLAT BELT-TRANSFER	U006	132
M2051394	COVER:GREASE:DRIVE ROLLER	U006	261
M2051430	HOLDER:GUIDE:HARNESS	U011_S013	435
M2051443	POSITIONING PLATE:FLAT BELT-TRANSFER:PLATE:LOWER:PEEN	U006	258
M2051444	ROLLER:PLATE:FLAT BELT-TRANSFER:LOWER	U006	134
M2051497	TIMING BELT:80S2M252	U011_S013	436
M2051498	PULLEY:IDLER:75T/17T	U011_S013	437
M2051499	HOLDER:PULLEY	U011_S013	438
M2051505	TENSION SPRING:POSITIONING SENSOR:SCALE	U006	136
M2051506	ROLLER:DRIVEN:NO.1:PRESS FIT	U006	137
M2051513	STAND:SPACER	U011_S013	439
M2051525	HOLDER:MOTOR:CLEANER:PRESS FIT	U012_S001	40
		U012_S002	40
		U012_S003	40
		U012_S004	40
M2051526	GEAR:DRIVE:CLEANER:26Z	U012_S001	43
		U012_S002	43
		U012_S003	43
		U012_S004	43
M2051527	GEAR:CLEANER:IDLER:35Z/28Z	U012_S001	44
		U012_S002	44
		U012_S003	44
		U012_S004	44
M2051532	SHAFT:IDLER:PULLEY:PRESS FIT	U011_S013	440
M2051534	TIGHTENER:DRIVE	U011_S013	441
M2051567	DOOR:FRONT RIGHT:ASS'Y	U001_S001	29
M2051595	CLEANER:FLAT BELT-TRANSFER:RIGHT LOWER:ASS'Y	U006_S005	214

Number	Part Name	Group	ID
M2051596	BRUSH:CLEANING	U006_S005	215
M2051599	BASE:ROLLER:PLATE:FLAT BELT-TRANSFER:LOWER	U006	216
M2051609	INNER COVER:TONER SUPPLY SUB-UNIT:RIGHT SIDEWAYS	U001	32
M2051610	COVER:TONER SUPPLY SUB-UNIT:UPPER	U001	33
M2051613	COVER:TONER SUPPLY SUB-UNIT:FRONT	U001	34
M2051615	MAGNET CATCH PLEET:TONER SUPPLY SUB-UNIT:FRONT:COVER	U001	35
M2051616	COVER:TONER SUPPLY SUB-UNIT	U001	36
M2051617	COVER:TONER SUPPLY SUB-UNIT:RIGHT LOWER	U001	37
M2051618	COVER:TONER SUPPLY SUB-UNIT:LEFT LOWER	U001	38
M2051619	COVER:TONER SUPPLY SUB-UNIT:REAR	U001	39
M2051626	BRACKET:COUPLING:DOOR:LOWER SIDE	U001_S001	43
		U001_S002	43
M2051632	DOOR:LEFT FRONT:UPPER	U001_S002	47
M2051634	BRACKET:COUPLING:DOOR:LEFT	U001_S002	48
M2051647	COVER:UPPER FRONT	U001_S003	78
M2051648	SUPPORTING PLATE:COVER:UPPER FRONT	U001_S003	51
M2051651	HINGE:RIGHT LOWER:ASS'Y	U001	52
M2051652	HINGE:RIGHT UPPER:ASS'Y	U001	53
M2051653	HINGE:LEFT LOWER:ASS'Y	U001	54
M2051654	HINGE:LEFT UPPER:ASS'Y	U001	55
M2051663	COVER:TONER SUPPLY SUB-UNIT:FRONT UPPER	U001	56
M2051664	BRACKET:SAFETY SWITCH:DOOR	U001_S001	86
		U001_S002	86
M2051670	(M205):MODEL NAME PLATE:PRO C9100	U017	2
M2051671	PLATE:LOGO:RICOH	U001	79
M2051673	BRACKET:LATCH:LOWER	U001	58
M2051674	BRACKET:LATCH:UPPER	U001_S003	59

Exclusive Parts

Number	Part Name	Group	ID
M2051678	CAP:COVER:TONER SUPPLY SUB-UNIT:UPPER	U001	60
M2051679	MECHANICAL ROLLER CLUTCH:2.0NM	U001	61
M2051682	DOOR CATCH:FRONT	U001	63
M2051703	DOOR:LEFT FRONT:ASS'Y	U001_S002	30
M2051704	JOINT:DEVELOPMENT SLEEVE:DRIVE	U005_S001	123
		U005_S004	123
		U005_S007	123
		U005_S010	123
M2051709	SHEET:DOOR:HINGE	U001	64
M2051720	PARALLEL KEY:3X3X15	U006	248
M2051733	COLLAR:9.9MM	U006	138
M2051736	PLATE:IMAGING:DRIVE	U012_S001	35
		U012_S002	35
		U012_S003	35
		U012_S004	35
M2051737	FLY WHEEL:47.5MM	U006	140
M2051739	SUPPORTING PLATE:RIGHT FRONT:DOOR:PEEN	U001_S001	40
M2051742	SUPPORTING PLATE:LEFT FRONT:DOOR:PEEN	U001_S002	45
M2051747	PULLEY:TRANSFER DRIVE:33T	U008_S001_S001	42
M2051748	HOLDER:DRIVE:IDLER:PEEN	U011_S013	442
M2051753	SEAL:PCU:LOWER	U001_S003	65
M2051754	SEAL:UPPER FRONT:DOOR CATCH	U001_S003	66
M2051755	SEAL:COVER:UPPER FRONT	U001_S003	67
M2051760	SEAL:DOOR:CUSHION	U001_S001	68
		U001_S002	68
M2051761	SEAL:DOOR:CUSHION:1	U001_S001	69
		U001_S002	69
M2051762	SEAL:DOOR:CUSHION:2	U001_S001	70
		U001_S002	70
M2051763	SEAL:DOOR:CUSHION:3	U001_S001	71
		U001_S002	71
M2051779	COVER:MAIN:RIGHT	U001	72
M2052003	OPTICAL WRITING UNIT:ASS'Y	U003_S001	9

Number	Part Name	Group	ID
		U003_S002	9
		U003_S003	9
		U003_S004	9
M2052070	COVER:SHIELD GLASS	U003	11
M2052091	BRUSH ROLLER:COVER:ASS'Y	U006	219
M2052100	POSITIONING SENSOR:SCALE:INTERMEDIATE TRANSFER:ASS'Y	U006_S003	231
M2052109	PLATE:LOWER:POSITIONING SENSOR:INTERMEDIATE TRANSFER:ASS'Y	U006_S003	213
M2052128	CAP:ROLLER:INTERMEDIATE TRANSFER:PRESS FIT	U006	221
M2052132	HOOK:LEVER:ON-OFF:COLOR:REAR	U006	169
M2052134	PLATE:RADIAL BALL BEARING	U006	222
M2052136	LEVER:ON-OFF:DRIVEN:YELLOW:FRONT	U006	218
M2052140	PLATE:UPPER:POSITIONING SENSOR:INTERMEDIATE TRANSFER:ASS'Y	U006	223
M2052150	CHARGE CORONA:ASS'Y	U002_S001	38
		U002_S002	38
		U002_S003	38
		U002_S004	38
M2052201	DUCT:CHARGE:ASS'Y	U002_S005	39
		U002_S006	39
		U002_S007	39
		U002_S008	39
M2052209	LIGHT SHIELDING PLATE:DISCHARGE LAMP	U002_S005	40
		U002_S006	40
		U002_S007	40
		U002_S008	40
M2052215	DUCT:CHARGE:RIGHT:ASS'Y	U002	41
M2052220	DUCT:CHARGE:LEFT:ASS'Y	U002	42
M2052242	CLEANER:GRID:ASS'Y	U002_S001	43
		U002_S002	43
		U002_S003	43
		U002_S004	43

Exclusive Parts

Number	Part Name	Group	ID
M2052245	CUSHION:CORONA WIRE	U002_S001	45
		U002_S002	45
		U002_S003	45
		U002_S004	45
M2052246	COVER:CHARGE CORONA:ASS'Y	U002_S001_S002	46
		U002_S002_S002	46
		U002_S003_S002	46
		U002_S004_S002	46
M2052251	FIXING PLATE:CORONA WIRE:LEFT:ASS'Y	U002_S001	47
		U002_S002	47
		U002_S003	47
		U002_S004	47
M2052252	FIXING PLATE:CORONA WIRE:RIGHT:ASS'Y	U002_S001	48
		U002_S002	48
		U002_S003	48
		U002_S004	48
M2052326	(for BK):PCU:ASS'Y	U005_S001	124
M2052327	(for C and M):PCU:ASS'Y	U005_S004	125
		U005_S007	125
M2052328	(for Y):PCU:ASS'Y	U005_S010	126
M2052335	INNER COVER:PCU:ASS'Y	U005_S002	73
		U005_S005	73
		U005_S008	73
		U005_S011	73
M2052365	SPACER:HOLDER:CHARGE CORONA:FRONT	U005_S001	143
		U005_S004	143
		U005_S007	143
		U005_S010	143
M2052386	GUIDE PLATE:CLEANING:REAR	U005_S001	74
		U005_S004	74
		U005_S007	74
		U005_S010	74
M2052387	COMPRESSION SPRING:GUIDE PLATE:CLEANING:REAR	U005_S001	75
		U005_S004	75
		U005_S007	75
		U005_S010	75
M2052391	SEAL:INNER COVER:PCU:UPPER	U001_S003	73
		U005_S002	76

Number	Part Name	Group	ID
		U005_S005	76
		U005_S008	76
		U005_S011	76
M2052406	HOLDER:ELECTRIC POTENTIAL SENSOR	U005	133
M2052411	SLIDE RAIL:PCU	U005	78
M2052412	PLATE:STOPPER:PCU	U005	79
M2052416	SHEET:VERTICAL TRANSPORT:GUIDE PLATE	U011	443
M2052455	HOLDER:LOCK:TRAY	U011	444
M2052467	SPRING PLATE:HOLDER:BELT UNIT:FRONT	U011	445
M2052471	HOLDER:BELT UNIT:FRONT	U011	447
M2052481	PLATE:OPERATION SUB-UNIT:MAIN PAPER SMD	U011_S011	449
M2052485	GUIDE:STOPPER:LEFT	U011_S011	450
M2052486	GUIDE:STOPPER:RIGHT	U011_S011	451
M2052496	PAPER TRAY:ASS'Y	U011_S011	607
M2052501	TRANSPORT ROLLER:VERTICAL TRANSPORT:NO.1	U011	452
M2052503	TRANSPORT ROLLER:VERTICAL TRANSPORT:NO.2	U011	453
M2052505	PLATE:GUIDE:VERTICAL TRANSPORT	U011	454
M2052521	TORSION SPRING:GUIDE PLATE:VERTICAL TRANSPORT	U011_S012	455
M2052536	GUIDE PLATE:VERTICAL TRANSPORT:LEFT:ASS'Y	U011_S012	456
M2052549	BRACKET:LEVER:VERTICAL TRANSPORT	U011_S012	457
M2052550	SHAFT:LATCH:GUIDE PLATE:VERTICAL TRANSPORT	U011_S012	458
M2052556	COIL SPRING:GUIDE PLATE:VERTICAL TRANSPORT:FRONT	U011	459
M2052557	COIL SPRING:GUIDE PLATE:VERTICAL TRANSPORT:REAR	U011	460
M2052558	SHAFT:CONTACT POINT:GUIDE PLATE:VERTICAL TRANSPORT	U011	461

Exclusive Parts

Number	Part Name	Group	ID
M2052559	COIL SPRING:GRIP:OPEN AND CL OSE	U011_S012	462
M2052860	BOTTLE:FILL:DEVELOPER:ASS'Y	Special Tools	13
M2053044	DECAL:WARNING:PHOTOCONDU CTOR	U005_S002	80
		U005_S005	80
		U005_S008	80
		U005_S011	80
M2053067	GEAR:TRANSPORT SCREW:NO.3	U005_S001	146
		U005_S004	146
		U005_S007	146
		U005_S010	146
M2053086	GEAR:DEVELOPMENT ROLLER	U005_S001	81
		U005_S004	81
		U005_S007	81
		U005_S010	81
M2053089	GEAR:IDLER:DEVELOPMENT ROL LER:ASS'Y	U005_S001	66
		U005_S004	66
		U005_S007	66
		U005_S010	66
M2053102	TONER HOPPER:TONER SUPPLY: ASS'Y	U004_S001	61
		U004_S002	61
		U004_S003	61
		U004_S004	61
M2053119	TONER BANK:KANAN:ASS'Y	U004_S005	84
		U004_S006	84
		U004_S007	84
		U004_S008	84
M2053127	GROUND PLATE:TONER HOPPER	U004_S001	63
		U004_S002	63
		U004_S003	63
		U004_S004	63
M2053133	GEAR:IDLER:Z27	U004_S001	64
		U004_S002	64
		U004_S003	64
		U004_S004	64
M2053140	COVER:GEAR:TONER SUPPLY	U004_S001	65
		U004_S002	65
		U004_S003	65

Number	Part Name	Group	ID
		U004_S004	65
M2053167	SUPPORTER:TONER BANK:REAR	U004	66
M2053172	GROUND PLATE:TONER BANK	U004_S005	68
		U004_S006	68
		U004_S007	68
		U004_S008	68
M2053174	HOLDER:COIL SPRING:AUXILIARY	U004_S005	96
		U004_S006	96
		U004_S007	96
		U004_S008	96
M2053175	STOPPER:TONER BOTTLE	U004_S005	69
		U004_S006	69
		U004_S007	69
		U004_S008	69
M2053180	GEAR:TONER BANK:RIC:K:ASS'Y	U004	70
M2053181	GEAR:TONER BANK:RIC:C:ASS'Y	U004	71
M2053182	GEAR:TONER BANK:RIC:M:ASS'Y	U004	72
M2053183	GEAR:TONER BANK:RIC:Y:ASS'Y	U004	82
M2053342	DECAL:EXCHANGE:TONER BOTTL E	U004	81
M2053355	KNOB:DRIVE:DEVELOPMENT UNI T:ASS'Y	Special Tools	14
M2053379	SEAL:DRUM:REAR	U005_S001	137
		U005_S004	137
		U005_S007	137
		U005_S010	137
M2053461	BRACKET:BIAS	U015	121
M2053479	VIBRATING PLATE:BELT CLEANIN G:ASS'Y	U007_S002_S001	49
		U007_S002_S002	49
		U007_S002_S003	49
M2053481	ROLLER:CLEANING:ASS'Y	U007_S002_S003	50
M2053485	SEAL:SIDE:UPPER	U007_S002_S001	93
		U007_S002_S002	93
		U007_S002_S003	93
M2053486	SEAL:SIDE:APPLY:FRONT	U007_S003	91
M2053487	COATING BAR:ASS'Y	U007_S003_S001	51
M2053488	COIL SPRING:COATING BAR	U007_S003_S001	52
M2053489	SEAL:CLEANING:LOWER	U007_S002_S001	53

Exclusive Parts

Number	Part Name	Group	ID
		S001	
		U007_S002_S002	53
		S001	
		U007_S002_S003	53
		S001	
M2053490	SEAL:CASE:APPLY:SIDE:ROUND	U007_S003	54
M2053497	BRACKET:COVER:MECHANICAL DRIVE SECTION:TAKE OFF:ASS'Y	U007_S002_S004	102
		S001	
M2053499	COIL SPRING:VIBRATING PLATE:BELT CLEANING	U007_S002_S001	55
		U007_S002_S002	55
		U007_S002_S003	55
M2053526	TONER COLLECTION COIL:CLEANING:ASS'Y	U005_S003	83
		U005_S006	83
		U005_S009	83
		U005_S012	83
M2053532	COIL SPRING:TONER CATCHPAN	U005_S003	84
		U005_S006	84
		U005_S009	84
		U005_S012	84
M2053533	GEAR:TONER COLLECTION COIL	U005_S003	85
		U005_S006	85
		U005_S009	85
		U005_S012	85
M2053536	HOLDER:AGITATOR:ASS'Y	U005_S003	86
		U005_S006	86
		U005_S009	86
		U005_S012	86
M2053540	BLADE:COLLECT:C:0.15MM	U005_S003	87
		U005_S006	87
		U005_S009	87
		U005_S012	87
M2053542	HOLDER:BLADE:COLLECT:ASS'Y	U005_S003	88
		U005_S006	88
		U005_S009	88
		U005_S012	88
M2053549	GEAR:COLLECT:ASS'Y	U005_S003	90
		U005_S006	90
		U005_S009	90

Number	Part Name	Group	ID
		U005_S012	90
M2053553	HOLDER:SEPARATION PLATE:BRUSH ROLLER	U005_S003	144
		U005_S006	144
		U005_S009	144
		U005_S012	144
M2053559	GEAR:BRUSH ROLLER:ASS'Y	U005_S003	91
		U005_S006	91
		U005_S009	91
		U005_S012	91
M2053565	BRUSH ROLLER:CLEANING	U005_S003	94
		U005_S006	94
		U005_S009	94
		U005_S012	94
M2053577	BRACKET:CLEANING:ASS'Y	U005_S003_S001	147
		U005_S006_S001	147
		U005_S009_S001	147
		U005_S012_S001	147
M2053585	SEAL:CLEANING BLADE:FRONT	U005_S003	128
		U005_S006	128
		U005_S009	128
		U005_S012	128
M2053586	SEAL:CLEANING BLADE:REAR	U005_S003	129
		U005_S006	129
		U005_S009	129
		U005_S012	129
M2053621	COVER:COATING BAR:ASS'Y	U005_S003_S002	111
		U005_S006_S002	111
		U005_S009_S002	111
		U005_S012_S002	111
M2053622	COVER:COATING BAR:ASS'Y	U005_S003_S002	95
		S001	
		U005_S006_S002	95
		S001	
		U005_S009_S002	95
		S001	
		U005_S012_S002	95
		S001	
M2053627	DECAL:CLEANING UNIT:DESIGN S	U005_S003_S002	113

Exclusive Parts

Number	Part Name	Group	ID
	KETCH	S001	
		U005_S006_S002	113
		U005_S009_S002	113
		U005_S012_S002	113
M2053630	COATING BAR:ASS'Y	U005_S003	96
		U005_S006	96
		U005_S009	96
		U005_S012	96
M2053643	JOINT:CLEANING UNIT	U005_S003	97
		U005_S006	97
		U005_S009	97
		U005_S012	97
M2053644	GEAR:APPLY:BRUSH	U005_S003	98
		U005_S006	98
		U005_S009	98
		U005_S012	98
M2053645	BRUSH ROLLER:APPLY:SUB-ASS'Y	U005_S003	99
		U005_S006	99
		U005_S009	99
		U005_S012	99
M2053647	HOLDER:BEARING:APPLY:ASS'Y	U005_S003	130
		U005_S006	130
		U005_S009	130
		U005_S012	130
M2053662	SEAL:APPLY:FRONT	U005_S003	131
		U005_S006	131
		U005_S009	131
		U005_S012	131
M2053663	SEAL:APPLY:REAR	U005_S003	132
		U005_S006	132
		U005_S009	132
		U005_S012	132
M2053674	GEAR:IDLER:NO.1:Z19	U005_S003	100
		U005_S006	100
		U005_S009	100

Number	Part Name	Group	ID
		U005_S012	100
M2053675	GEAR:IDLER:NO.2:Z17	U005_S003	101
		U005_S006	101
		U005_S009	101
		U005_S012	101
M2053676	GEAR:IDLER:NO.3:Z26	U005_S003	102
		U005_S006	102
		U005_S009	102
		U005_S012	102
M2053677	GEAR:IDLER:NO.4:Z16	U005_S003	103
		U005_S006	103
		U005_S009	103
		U005_S012	103
M2053691	COVER:GEAR:ASS'Y	U005_S003	105
		U005_S006	105
		U005_S009	105
		U005_S012	105
M2053702	DRIVE UNIT:BELT CLEANING:INTERMEDIATE TRANSFER:ASS'Y	U007_S001	90
M2053703	SHAFT:DRIVE:ASS'Y	U007_S001	56
M2053708	SHAFT:DRIVE:ASS'Y	U007_S001	57
M2053711	STUD:MECHANICAL DRIVE SECTION:BELT CLEANING	U007	58
M2053712	PLATE:SHAFT:DRIVE	U007_S001	59
M2053733	SHAFT:DRIVE:BELT CLEANING:ASS'Y	U007_S002	61
M2053737	SLIDE RAIL:BELT CLEANING:LOWER	U007_S002	62
M2053752	BEARING CASE:BRUSH ROLLER	U007_S002_S001	63
		U007_S002_S002	63
M2053753	COVER:ELECTRODE PLATE:BELT CLEANING:ASS'Y	U007_S002_S001	64
		U007_S002_S002	64
		U007_S002_S003	64
		S001	
M2053760	ROLLER:COLLECT:ASS'Y	U007_S002_S001	65
		U007_S002_S002	65

Exclusive Parts

Number	Part Name	Group	ID
M2053767	TRANSPORT SCREW:USED TONE R:ASS'Y	U007_S002_S001	67
		U007_S002_S002	67
		U007_S002_S003	67
M2053770	GEAR:TRANSPORT SCREW	U007_S002_S001	68
		U007_S002_S002	68
		U007_S002_S003	68
M2053773	COMPRESSION SPRING:SHUTTER:DISCHARGE USED TONER	U007_S002_S001	69
		U007_S002_S002	69
		U007_S002_S003	69
M2053775	CLEANING UNIT:INTERMEDIATE TRANSFER:NO.3:SUB-ASS'Y	U007_S002_S003	70
M2053776	ROLLER:COLLECT:NO.3:ASS'Y	U007_S002_S003	71
M2053778	GEAR:IDLER:Z39	U007_S002_S004	72
M2053779	GEAR:OUTPUT:3RD:51Z	U007_S002_S004	73
M2053780	CLEANING UNIT:INTERMEDIATE TRANSFER:NO.1:SUB-ASS'Y	U007_S002_S001	74
M2053782	BRUSH ROLLER:CLEANING:ASS'Y	U007_S002_S001	76
M2053785	SEAL:SIDE:FRONT	U007_S002_S001	94
		U007_S002_S002	94
		U007_S002_S003	94
M2053786	SEAL:SIDE:REAR	U007_S002_S001	95
		U007_S002_S002	95
		U007_S002_S003	95
M2053787	BRUSH ROLLER:CLEANING:NO.2:ASS'Y	U007_S002_S002	77
M2053789	CLEANING UNIT:INTERMEDIATE TRANSFER:NO.2:SUB-ASS'Y	U007_S002_S002	78
M2053790	MECHANICAL DRIVE SECTION:CLEANING UNIT:FRONT:ASS'Y	U007_S002_S004	97
M2053791	SYNCHRONOUS BELT:B80S2M220	U007_S002_S004	79
M2053801	SHAFT:OUTPUT:MECHANICAL DRIVE SECTION:TAKE OFF:ASS'Y	U007_S002_S004	80
M2053803	FLANGE:GEAR:PULLEY:DRIVE	U007_S001	81
M2053804	JOINT:BRUSH ROLLER	U007_S002_S001	82
		U007_S002_S002	82
		U007_S002_S003	82
		U007_S002_S004	82
M2053805	SHAFT:INPUT:MECHANICAL DRIVE	U007_S002_S004	83

Number	Part Name	Group	ID
	E SECTION:TAKE OFF:ASS'Y		
M2053809	COVER:STAY:COATING BAR:ASS'Y	U007_S003	84
M2053811	COATING BAR:BELT CLEANING:ASS'Y	U007_S003	85
M2053825	GUIDE PLATE:SEAL:APPLY:FRONT SIDE	U007_S003	92
M2053828	BRUSH ROLLER:APPLY:ASS'Y	U007_S003	86
M2053830	SLIDE RAIL:CASE:APPLY	U007_S003	87
M2053831	GROUND PLATE:CASE:APPLY	U007_S003	88
M2053832	COMPRESSION SPRING:EARTH:APPLY	U007_S003	89
M2053849	INNER COVER:BELT CLEANING	U006	142
M2053876	SHAFT:DRIVEN:FLAT CONVEYER BELT	U009_S001	25
M2053880	BRACKET:DC STEPPER MOTOR:SEPARATION/TRANSPORT	U009_S001	29
M2053893	DRIVEN ROLLER:PRESS FIT	U009_S001	26
M2053896	TRANSPORT BELT UNIT:NO.1:ASS'Y	U009_S001	33
M2053901	SCRAPER:BRUSH:REMOVE PAPER DUST:ASS'Y	U008_S001_S002_S001	73
M2053910	SHAFT:FIX:BELT CLEANING:ASS'Y	U008_S001_S002_S003	72
		U008_S001_S002_S004	72
M2053922	SEAL:BELT CLEANING:TRANSFER/SEPARATION:FRONT	U008_S001_S002	69
M2053923	SEAL:BELT CLEANING:TRANSFER/SEPARATION:REAR	U008_S001_S002	70
M2053930	PLAIN SHAFT BEARING:HOLDER:BELT CLEANING:REAR	U008_S001_S002	43
M2053931	RELEASE PLATE:BLADE:CLEANING	U008_S001_S002	44
M2053940	TRANSPORT SCREW:TRANSFER/SEPARATION:ASS'Y	U008_S001_S002	47
M2053945	COATING BAR:ASS'Y	U008_S001_S002_S002	48

Exclusive Parts

Number	Part Name	Group	ID
M2054433	CYLINDER:GUIDE:HEATER	Special Tools	15
M2054681	HOLDER:SENSOR:DUPLEX:ENTRANCE:NO.2	U011_S015	463
		U011_S016	463
		U011_S017	463
M2055172	DECAL:CAUTION:POWER SUPPLY PLUG	U017	3
M2055195	(AA(68)):DECAL:POWER SOURCE:OFF:CN	U017	8
M2055291	PCB:T-ACT:SENSOR	U011_S013	465
M2055325	PCB:DRB	U011_S013	466
M2055327	PCB:IMAGE PROCESSING UNIT	U015	84
M2055329	PCB:I0B1	U013	49
M2055339	PCB:TDCU:ASS'Y	U013	50
M2055347	PCB:BCU:ASS'Y	U013_S002	51
M2055350	AC CONTROL BOARD	U013	52
M2055450	PCB:NRYF	U013	53
M2055451	PCB:NRYF	U013	54
M2056016	(M205):PCB:GWCTL:SERVICE PARTS:ASS'Y	U015_S003	85
M2056017	(M238):PCB:GWCTL:SERVICE PARTS:ASS'Y	U015_S004	86
M2056136	PCB:DTU	U015	120
M2056150	CABLE:DFE_DTU_CABLE	U017	5
M2056191	HEAT SINK:HEATER:LOWER:ASS'Y	U011_S006	583
M2056212	COVER:BRACKET:RELAY	U013	57
M2056216	POWER SUPPLY UNIT:FDR:ASS'Y	U016_S001	8
M2056280	ROLLER:TENSION:INTERMEDIATE TRANSFER:ASS'Y	U006	144
M2056282	RECEIVE PLATE:CAM:ON-OFF:REAR	U006	145
M2056283	RECEIVE PLATE:CAM:ON-OFF:FRONT	U006	146
M2056285	PLATE:ROLLER:DRIVEN:ON-OFF:COLOR	U006	147
M2056295	TENSION SPRING:TENSION:INTERMEDIATE TRANSFER	U006	148
M2056316	ROLLER:DRIVEN:NO.1:PRESS FIT	U006	149

Number	Part Name	Group	ID
M2056320	TENSION SPRING:LEVER:ON-OFF:BLACK:LEFT	U006	150
M2056323	TENSION SPRING:LEVER:ON-OFF:BLACK:RIGHT	U006	151
M2056326	SHAFT:ON-OFF:BLACK:AUTOMATIC	U006	152
M2056328	SHAFT:ON-OFF:INTERMEDIATE TRANSFER	U006	153
M2056334	ROLLER:DRIVEN:FIX:INTERMEDIATE TRANSFER	U006	154
M2056339	ROLLER:OPPOSED:BELT CLEANING	U006	155
M2056341	LEVER:ON-OFF:DRIVEN:COLOR:REAR	U006	156
M2056342	LEVER:ON-OFF:DRIVEN:COLOR:FRONT	U006	157
M2056346	SLIDER:ON-OFF:COLOR:FRONT:PEEN	U006	232
M2056350	ROLLER:OPPOSED:APPLY	U006	158
M2056353	CAM:ON-OFF:INTERMEDIATE TRANSFER:COLOR	U006	159
M2056355	TENSION SPRING:SLIDER:BLACK	U006	160
M2056356	TENSION SPRING:LEVER:ROLLER:DRIVEN:COLOR	U006	161
M2056367	TERMINAL:CLEANING BIAS	U006	162
M2056371	TIMING PULLEY:CAM:ON-OFF:INTERMEDIATE TRANSFER	U006	163
M2056380	PIN:ELECTRODE:BELT CLEANING	U006	164
M2056383	COMPRESSION SPRING:BIAS:BELT CLEANING	U006	165
M2056386	COVER:INTERMEDIATE TRANSFER:LOWER	U006	166
M2056390	SEAL:COVER:INTERMEDIATE TRANSFER:LOWER	U006	167
M2056393	SEAL:PLATE:FLAT BELT-TRANSFER:REAR:NO.2	U006	168
M2056395	GUIDE PLATE:BRACKET:SENSOR:SCALE:PEEN	U006	259

Exclusive Parts

Number	Part Name	Group	ID
M2056398	SLIDE RAIL:BELT CLEANING:UPPER	U006	234
M2056399	SLIDE RAIL:APPLY:INTERMEDIATE TRANSFER	U006	235
M2056400	HOOK:LEVER:ON-OFF:COLOR:REAR	U006	169
M2056401	GROUND PLATE:ROLLER:ON-OFF:COLOR	U006	170
M2056406	PLATE:ROLLER:DRIVEN:INTERMEDIATE TRANSFER:FRONT	U006	171
M2056407	TENSION SPRING:ROLLER:PRESSURE:COLOR:7.73N	U006	172
M2056408	CAM:INTERMEDIATE TRANSFER:GRIP	U006	173
M2056409	GRIP:ON-OFF:INTERMEDIATE TRANSFER	U006	174
M2056410	PLATE:FLAT BELT-TRANSFER:ON-OFF:REAR	U006	175
M2056414	PLATE:FLAT BELT-TRANSFER:ON-OFF:FRONT	U006	176
M2056415	TENSION SPRING:LEVER:PLATE:FLAT BELT-TRANSFER	U006	177
M2056417	TENSION SPRING:SLIDER:COLOR	U006	178
M2056419	SHAFT:ON-OFF:COLOR:AUTOMATIC	U006	179
M2056421	INNER COVER:INTERMEDIATE TRANSFER	U006	180
M2056422	INNER COVER:INTERMEDIATE TRANSFER:UPPER	U006	181
M2056432	SEAL:LEVER:FIRST:UPPER	U006	182
M2056433	SEAL:LEVER:FIRST:LOWER	U006	183
M2056434	SHEET:FLAT BELT-TRANSFER:PROTECT	Special Tools	16
M2056436	COMPRESSION SPRING:DRAWER:INTERMEDIATE TRANSFER:NO.2	U006	184
M2056437	COMPRESSION SPRING:DRAWER:INTERMEDIATE TRANSFER	U006	185
M2056440	SLIDER:ON-OFF:BLACK:FRONT	U006	186

Number	Part Name	Group	ID
M2056441	SLIDER:ON-OFF:BLACK:REAR	U006	187
M2056453	GUIDE:TRANSPORT:INTERMEDIATE TRANSFER:ASS'Y	U006	188
M2056458	CORE:OPPOSED:TRANSFER ROLLER	U006	189
M2056460	ROLLER:OPPOSED:PAPER:ASS'Y	U006	190
M2056465	CASE:OPPOSED:TRANSFER ROLLER:REAR	U006	239
M2056466	CAM:ON-OFF:TRANSFER ROLLER:FRONT	U006	191
M2056467	CAM:ON-OFF:TRANSFER ROLLER:REAR	U006	192
M2056468	COVER:OPPOSED:TRANSFER ROLLER:FRONT	U006	193
M2056469	COVER:OPPOSED:TRANSFER ROLLER:REAR	U006	194
M2056476	PLATE:ROLLER:OPPOSED:PAPER	U006	195
M2056479	COVER:CASE:TERMINAL:BELT CLEANER	U006	196
M2056490	BRACKET:ROLLER:ENTRANCE:INTERMEDIATE TRANSFER:SUB-ASS'Y	U006_S004	197
M2056514	ROLLER:SEPARATION:TRANSFER/SEPARATION	U008_S001_S001	51
M2056519	ROLLER:TENSION	U008_S001_S001	53
M2056521	ROLLER:OPPOSED:TM SENSOR	U008_S001_S001	54
M2056523	GRIP:BELT UNIT:REAR:TRANSFER/SEPARATION	U008_S001_S001	55
M2056531	COMPRESSION SPRING:BELT TENSIONER:TRANSFER/SEPARATION	U008_S001_S001	56
M2056532	GUIDE PLATE:EXIT:ASS'Y	U008_S001_S001_S001	57
M2056535	GUIDE PLATE:ENTRANCE:ASS'Y	U008_S001_S001	58
M2056543	JIG:SERVICE:TRANSFER/SEPARATION:A	Special Tools	17
M2056544	JIG:SERVICE:TRANSFER/SEPARATION:B	Special Tools	18

Exclusive Parts

Number	Part Name	Group	ID
M2056548	SEAL:BELT CLEANING:TRANSFER/SEPARATION:LOWER	U008_S001_S002	75
M2056549	BRUSH:APPLY:BELT CLEANING:ASS'Y	U008_S001_S002	46
M2056550	BRUSH ROLLER:FLAT BELT-TRANSFER:ASS'Y	U008_S001_S002	45
M2056565	STOPPER:BELT UNIT:PRESSURE STAND:INNER	U011_S013	587
M2056574	DUCT:TM SENSOR:MIDDLE:RIGHT	U011_S013	467
M2056575	DUCT:TM SENSOR:MIDDLE:LEFT	U011_S013	468
M2056580	SEAL:DUCT:TM SENSOR:UPPER	U011_S013	469
M2056581	TORSION SPRING:TM SENSOR:LEFT FRONT	U011_S013	470
M2056582	TORSION SPRING:TM SENSOR:LEFT INNER REAR	U011_S013	471
M2056583	PLAIN SHAFT BEARING:SHAFT:PRESSURE STAND:POSITIONING:LEFT	U011_S013	472
M2056585	STOPPER:BELT UNIT:PRESSURE STAND:OUTER	U011_S013	588
M2056590	TENSION SPRING:PRESSURE:NO.1:TRANSFER/SEPARATION	U011_S013	473
M2056592	SHAFT:ON-OFF:PRESSURE:NO.2	U011_S013	474
M2056595	ARM:PRESSURE:NO.2:TRANSFER	U011_S013	475
M2056596	SHAFT:RADIAL BALL BEARING:ARM:PRESSURE:TRANSFER	U011_S013	476
M2056597	FEELER:PRESSURE SUB-UNIT:TURN:TRANSFER	U011_S013	477
M2056600	PULLEY:DRIVE:PRESSURE:NO.2:DIAMETER 32	U011_S013	478
M2056601	SYNCHRONOUS BELT:B150S3M189	U011_S013	479
M2056602	SPACER:PRESSURE:NO.2	U011_S013	480
M2056606	CAM:ON-OFF:PRESSURE STAND	U011_S013	481
M2056616	GEAR:IDLER:DRIVE:PRESSURE	U008	59
M2056617	GEAR:PRESSURE:NO.2:TRANSFER/SEPARATION	U008	60
M2056618	SHAFT:DRIVE:PRESSURE:NO.2	U008	61

Number	Part Name	Group	ID
M2056622	COMPRESSION SPRING:JOINT:PRESSURE:NO.2	U008	62
M2056623	DECAL:EXCHANGEABLE:TRANSFER UNIT:SECOND	U011_S013	482
M2056624	DECAL:GRIP:TRANSFER/SEPARATION UNIT:SECOND:FRONT	U008_S001_S001	63
M2056625	DECAL:GRIP:TRANSFER/SEPARATION UNIT:SECOND:REAR	U008_S001_S001	64
M2056631	TENSION SPRING:ENTRANCE	U006	198
M2056634	ROLLER:ENTRANCE:INTERMEDIATE TRANSFER:PRESS FIT	U006_S004	199
M2056637	STOPPER:SHAFT:ENTRANCE	U006	200
M2056638	SHAFT:ENTRANCE:INTERMEDIATE TRANSFER	U006	201
M2056656	ROLLER:OPPOSED:BELT CLEANING:PRESS FIT	U006	202
M2056657	SHAFT:RELEASE:ROLLER:CLEANING	U006	203
M2056658	GRIP:RELEASE:ROLLER:OPPOSED:BELT CLEANER	U006	204
M2056659	TENSION SPRING:RELEASE:ROLLER:OPPOSED	U006	205
M2056660	STOPPER:GRIP:ROLLER:BELT CLEANER:NO.3	U006	206
M2056661	BRACKET:ROLLER:BELT CLEANING:REAR:PEEN	U006	207
M2056667	SCRAPER:BRUSH ROLLER:TRANSFER/SEPARATION UNIT	U008_S001_S002_S001	65
M2056668	VIBRATING PLATE:TRANSPORT SCREW:BELT CLEANING	U008_S001_S002_S001	66
M2056669	BRACKET:ROLLER:BELT CLEANING:FRONT:PEEN	U006	208
M2056671	PLATE:ROLLER:OPPOSED:BELT CLEANER:NO.3	U006	209
M2056677	GRIP:RELEASE:NO.2	U006	210
M2056684	(BLACK):ROLLER:INTERMEDIATE TRANSFER:ASS'Y	U006	100
M2056687	LINK:REGISTRATION:PULL OUT:MI	U011_S013	489

Exclusive Parts

Number	Part Name	Group	ID
	DDLE		
M2056688	LINK:LEVER:PULL OUT	U011_S013	490
M2056692	SHAFT:LOCK:REGISTRATION:MID DLE	U011_S013	508
M2056697	SHAFT:ROLLER:BELT TENSIONER:TRANSFER/SEPARATION	U008_S001_S001	52
M2056698	SLIDER:PRESSURE:BELT TENSIONER	U008_S001_S001	68
M2056699	TRANSFER ROLLER:NO.2:ASS'Y	U008_S001_S001	77
M2056707	TONER RECYCLING SUB-UNIT:VERTICAL TRANSPORT:ASS'Y	U010_S002	48
M2056710	TONER RECYCLING SUB-UNIT:HORIZONTAL TRANSPORT:LOWER:ASS'Y	U010_S003	57
M2056711	TONER RECYCLING SUB-UNIT:TRANSPORT SUB-UNIT:UPPER:ASS'Y	U010_S001	50
M2056718	GEAR:PULLEY:Z51/T43:TONER RECYCLING:ASS'Y	U010	51
M2056721	DC MOTOR:MM56:15W:BRUSHLESS	U010	52
		U010_S003	52
M2056790	FLAT BELT-TRANSFER:ASS'Y	U006	224
M2056827	GUIDE:REAR:TONER RECYCLING	U010_S001	58
M2056838	TIMING PULLEY:T29	U010_S001	53
M2056870	TUBE:TONER RECYCLING	U010_S003	54
M2056878	COVER:TONER RECYCLING	U010	55
M2056916	DUCT:CONNECTION:VACUUM FEED:EXHAUST	U014	12
M2056917	DUCT:CONNECTION:VACUUM FEED:EXHAUST:S	U014	13
M2056924	SEAL:DUCT:OZONE FILTER:COMMON	U015	88
M2056928	FILTER:PREVENTFENCE	U015	89
M2056929	SEAL:DUCT:OZONE FILTER	U015	90
M2056997	DUCT:EXHAUST:COMMON:LOWER:SUB-ASS'Y	U015_S005	91
M2057051	SEAL:DUCT:DEVELOPMENT:EXHAUST	U014	14

Number	Part Name	Group	ID
M2057052	DUCT:DEVELOPMENT:EXHAUST	U014	15
M2057053	DUCT:DEVELOPMENT:EXHAUST:BLLOWER	U014	29
M2057055	SEAL:DUCT:CHARGE:VENTILATION:LOWER	U014	16
M2057056	SEAL:DUCT:CHARGE:ENTRANCE	U014	17
M2057057	DUCT:CHARGE:VENTILATION:BLLOWER	U014	18
M2057060	SEAL:DUCT:CHARGE:VENTILATION:BLLOWER	U014	19
M2057061	SEAL:DUCT:CHARGE	U014	20
M2057062	DUCT:CHARGE:EXHAUST:LOWER	U014	21
M2057063	DUCT:CHARGE:EXHAUST:UPPER	U014	22
M2057064	DUCT:CHARGE:EXHAUST:LEFT	U014	23
M2057065	DUCT:CHARGE:EXHAUST:RIGHT	U014	24
M2057069	SEAL:DUCT:DEVELOPMENT:LOWER	U015	92
M2057071	SEAL:BLLOWER:DEVELOPMENT	U015	93
M2057073	SEAL:DUCT:CHARGE:COMMON:UPPER LOWER	U015	94
M2057077	SEAL:DUCT:CHARGE:COMMON:LEFT AND RIGHT	U015	95
M2057081	SEAL:DUCT:CHARGE:RIGHT	U015	96
		U015_S005	96
M2057082	SEAL:DUCT:CHARGE:UPPER FRONT	U015	97
M2057083	SEAL:DUCT:CHARGE:UPPER LEFT	U015	98
M2057084	SEAL:DUCT:CHARGE:UPPER RIGHT	U015	99
M2057085	SEAL:DUCT:CHARGE:VENTILATION:UPPER	U014	25
M2057087	SEAL:BLLOWER:CHARGE:EXIT	U015	100
M2057088	SEAL:DUCT:FILTER:LOWER	U015	101
M2057090	OZONE FILTER:KCH-A08	U015_S005	102
M2057091	OZONE FILTER:KCH-A12	U015_S005	103
M2057094	SEAL:HOLDER:CHARGE:VENTILATION	U014	26

Exclusive Parts

Number	Part Name	Group	ID
M2057095	SEAL:DUCT:DEVELOPMENT:TONE R:UPPER	U014	27
M2057096	SEAL:OZONE FILTER:LEFT AND RIGHT	U015	106
		U015_S005	106
M2057112	SHAFT:GUIDE PLATE:TURN:RIGHT LOWER	U011_S014	483
M2057121	SHAFT:ON-OFF:ARM:GUIDE PLATE	U011_S015	484
M2057128	SHAFT:REGISTRATION:ON-OFF:CAM	U011	485
M2057146	COIL SPRING:GUIDE PLATE:OPEN AND CLOSE:AUXILIARY:STANDARD	U011	486
M2057203	TRANSPORT ROLLER:REGISTRATION:TIMING	U011_S013	487
M2057225	TIMING ROLLER:DRIVEN:TRANSFER	U011_S013	488
M2057239	COIL SPRING:GUIDE PLATE:OPEN AND CLOSE:REAR	U011_S013	491
M2057288	BASE:DRAWER:REGISTRATION:MAIN	U011_S013	492
M2057289	COMPRESSION SPRING:DRAWER:REGISTRATION	U011_S013	493
M2057304	TRANSPORT ROLLER:DRIVE:PAPER TRANSPORT MD	U011	494
M2057305	REGISTRATION ROLLER:GATE:ASSY	U011_S013_S002	495
M2057306	KNOB:TRANSPORT ROLLER	U011_S013	496
M2057309	CONTACT IMAGE SENSOR:ASSY	U011_S013_S003	497
M2057311	DISC:GATE:REGISTRATION:HOME POSITION SENSOR	U011_S013	499
M2057329	GUIDE PLATE:REGISTRATION:EXIT:LOWER:WELDING	U011_S013	501
M2057333	GUIDE PLATE:TRANSFER:ENTRANCE:UPPER:WELDING	U011_S013	502
M2057338	COVER:DC STEPPER MOTOR:MM56XL76	U011_S013	503
M2057342	TRANSPORT ROLLER:TIMING:TRA	U011_S013	504

Number	Part Name	Group	ID
	NSFER		
M2057344	TRANSPORT ROLLER:REMOVE PAPER DUST:DRIVE ROLLER	U011_S013	505
M2057351	BRACKET:FAN:BASE:COOLING	U011	506
		U011_S013	506
M2057362	GUIDE:OPEN AND CLOSE:REGISTRATION	U011_S013	507
M2057369	COVER:REGISTRATION:REMOVE PAPER DUST:UPPER	U011_S013	509
M2057370	COVER:REGISTRATION:PULL OUT:GUIDE PLATE:OPEN AND CLOSE	U011_S013	510
M2057379	COVER:REGISTRATION:LOWER:ASSY	U011_S013_S004	511
M2057383	GUIDE PLATE:REGISTRATION:RIGHT:TURN	U011_S014	512
M2057384	TORSION BAR SPRING:REGISTRATION:GUIDE PLATE:TURN	U011_S014	513
M2057385	GUIDE PLATE:REGISTRATION:RIGHT UPPER:ASSY	U011_S015	514
M2057386	GUIDE PLATE:REGISTRATION:RIGHT LOWER:ASSY	U011_S016	515
M2057388	GUIDE PLATE:REGISTRATION:LEFT UPPER:ASSY	U011_S017	516
M2057389	GUIDE PLATE:REGISTRATION:LEFT LOWER:ASSY	U011_S018	517
M2057399	INNER COVER:REGISTRATION:PULL OUT	U011_S013	518
M2057402	COIL SPRING:GUIDE PLATE:OPEN AND CLOSE:AUXILIARY:REAR	U011	519
M2057403	GRIP:PICK-UP PAPER JAM:TRANSPORT SUB-UNIT:OPEN AND CLOSE	U011_S015	520
		U011_S016	520
		U011_S018	520
M2057404	LINK:GUIDE PLATE:OPEN AND CLOSE:UN LOCK	U011_S012	521
		U011_S014	521
		U011_S015	521
		U011_S016	521
		U011_S017	521
		U011_S018	521

Exclusive Parts

Number	Part Name	Group	ID
M2057405	GRIP:GUIDE PLATE:REGISTRATION:LEFT LOWER	U011_S018	522
M2057406	SHAFT:GRIP:GUIDE PLATE:LEFT LOWER	U011_S018	523
M2057420	GUIDE PLATE:REGISTRATION:TURN:CORE:ASSY	U011_S014	524
M2057425	GUIDE PLATE:LOWER:REGISTRATION:RIGHT	U011	525
M2057427	SHAFT:REGISTRATION:GUIDE PLATE:RIGHT UPPER	U011	526
M2057428	HINGE:GUIDE PLATE:OPEN AND CLOSE:RIGHT UPPER	U011_S015	527
M2057430	GUIDE PLATE:UPPER:REGISTRATION:RIGHT:PEEN	U011	528
M2057435	SHAFT:REGISTRATION:GUIDE PLATE:RIGHT LOWER	U011	529
M2057436	HINGE:GUIDE PLATE:OPEN AND CLOSE:RIGHT LOWER	U011_S016	530
M2057437	SHAFT:LOCK:GUIDE PLATE:MIDDLE	U011_S014	531
M2057438	GRIP:REGISTRATION:RIGHT:TURN	U011_S014	532
M2057439	SHAFT:GRIP:GUIDE PLATE:RIGHT LOWER	U011_S016	533
M2057440	SHAFT:GRIP:GUIDE PLATE:RIGHT UPPER	U011_S015	534
M2057441	GRIP:GUIDE PLATE:TRANSPORT SUB-UNIT:OPEN AND CLOSE	U011_S015 U011_S016 U011_S017	535 535 535
M2057448	GUIDE PLATE:LOWER:REGISTRATION:LEFT:ASSY	U011	536
M2057450	GUIDE PLATE:REGISTRATION:LEFT:ENTRANCE	U011	537
M2057452	SHAFT:REGISTRATION:GUIDE PLATE:LEFT:MIDDLE	U011	538
M2057453	SHAFT:REGISTRATION:GUIDE PLATE:LEFT:LOWER	U011	539
M2057454	HINGE:GUIDE PLATE:OPEN AND CLOSE:RIGHT LOWER	U011_S017	540

Number	Part Name	Group	ID
	LOSE:RIGHT UPPER		
M2057455	SHAFT:GRIP:GUIDE PLATE:LEFT:MIDDLE	U011_S017	541
M2057456	COIL SPRING:GUIDE PLATE:OPEN AND CLOSE:AUXILIARY:LEFT UPPER	U011	542
M2057460	COIL SPRING:GUIDE PLATE:REAR:REGISTRATION:RIGHT	U011_S014	543
M2057461	GUIDE PLATE:LEFT UPPER:REGISTRATION:LEFT:PEEN	U011	544
M2057466	DUCT:SHIFT:CIS	U011_S013	582
M2057478	TRANSPORT UNIT:REGISTRATION:PULL OUT:ASSY	U011_S013	602
M2057484	COIL SPRING:GRIP:OPEN AND CLOSE:UPPER	U011_S015 U011_S016 U011_S017	545 545 545
M2057486	COIL SPRING:GRIP:OPEN AND CLOSE:LOWER	U011_S018	546
M2057488	LATCH:GUIDE PLATE:LOCK:RELEASE	U011_S014 U011_S015 U011_S016 U011_S017 U011_S018	547 547 547 547 547
M2057489	LATCH:GUIDE PLATE:LOCK:RELEASE:SIDE	U011_S012 U011_S014	548 548
M2057491	COIL SPRING:GRIP:OPEN AND CLOSE:LOWER:NO.3	U011_S014	549
M2057492	LED:LENS:PAPER JAM	U011	550
M2057495	LED HOLDER:PAPER JAM:TRANSPORT SUB-UNIT	U011	551
M2057511	DECAL:MAIN:PICK-UP PAPER JAM:RIGHT	U001_S002	74
M2057514	DECAL:GUIDE PLATE:PICK-UP PAPER JAM:B1	U011	552
M2057515	DECAL:GUIDE PLATE:PICK-UP PAPER JAM:B2	U011	553
M2057516	DECAL:GUIDE PLATE:PICK-UP PAPER JAM:B3	U011	554

Exclusive Parts

Number	Part Name	Group	ID
M2057517	DECAL:GUIDE PLATE:PICK-UP PA PER JAM:B4	U011	555
M2057518	DECAL:GUIDE PLATE:PICK-UP PA PER JAM:C1	U011	556
M2057520	DECAL:SIDE PLATE:PICK-UP PAP ER JAM:C3	U009_S001	27
M2057598	DECAL:PAPER TRAY:DESIGN SKE TCH:1	U011_S007	591
M2057734	PLATE:LATCH:TRAY:LEFT	U011	558
M2057735	PLATE:LATCH:TRAY:RIGHT	U011	559
M2059590	NV-RAM	U015	107
M2381670	(M238):MODEL NAME PLATE:PRO C9110	U017	4
M2637396	(AA):DECAL:KEY:MULTI-LANGUAG E:OPERATION SUB-UNIT	U017	7
M3791627	TRANSPORT ROLLER:DRIVEN	U011_S014	560
		U011_S015	560
		U011_S016	560
		U011_S017	560
		U011_S018	560
M4675041	SD-CARD:MFP-BROWSER:ASS'Y	Special Tools	20
VSSG9002	FLUOTRIBO MG GREASE : 100G	Special Tools	19

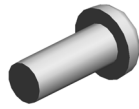
Standard Parts



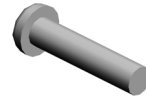
03125060N
SCREW - M2.5X6



03140080N
PHILIPS PAN HEAD SCREW - M4X8



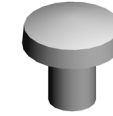
03140100N
PAN HEAD SCREW:M4X10



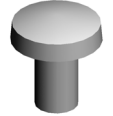
03140180N
PAN HEAD SCREW:M4X18



03520040N
SCREW M2X4



03530040N
SCREW - M3X4



03530050N
SCREW-M3X5



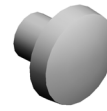
03530060N
BIND SCREW - M3X6



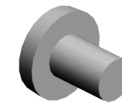
03530080N
SCREW:M3X8



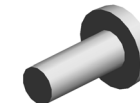
03530100N
SCREW-M3X10



03540040N
SCREW-M4X4



03540060N
SCREW-M4X6



03540100N
SCREW - M4X10



03540120N
SCREW M4X12



03540400N
SCREW:M4X40



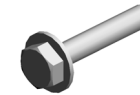
03603006N
SCREW - M3X6



03603008N
SCREW:M3X8



03603014N
SCREW - M3X14



03603016N
SCREW - M3X16



03603020N
SCREW:M3X20



03603035N
SCREW:M3X35



03604006N
SCREW - M4X6



03604006P
SCREW:M4X6



03604008N
SCREW - M4X8



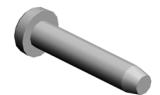
03604010N
SCREW:M4X10



03604016N
SCREW:M4X16



03604030N
SCREW:M4X30



04340200N
PAN SELF-TAPPING SCREW:
4X20

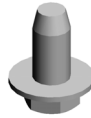
Standard Parts



04503008N
TAPPING SCREW - M3X8



04503010N
TAPPING SCREW - M3X10



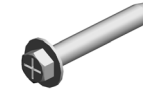
04504008N
TAPPING SCREW - M4X8



04504010N
TAPPING SCREW:M4X10



04504012N
TAPPING SCREW:4X12



04504025N
TAPPING SCREW:4X25



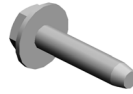
04513006N
TAPPING SCREW - 3X6



04513008N
TAPPING SCREW - M3X8



04513010N
TAPPING SCREW:3X10



04513014N
TAPPING SCREW:3X14



04514006N
TAPPING SCREW - 4X6



04514008N
TAPPING SCREW:4X8



04514010N
TAPPING SCREW:4X10



04514012N
TAPPING SCREW:4X12



04514030N
TAPPING SCREW:M4X30



04524008N
TAPPING SCREW:M4X8



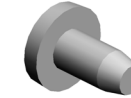
04524010N
BINDING SELF-TAPPING SCREW:4X10



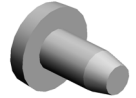
04524012N
BINDING SELF-TAPPING SCREW:4X12



04533006N
TAPPING SCREW - M3X6



04534006N
BINDING SELF TAPPING SCREW:4X6



04534008N
BINDING SELF TAPPING SCREW:4X8



04534010N
BINDING SELF TAPPING SCREW:4X10



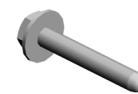
04543006N
TAPPING SCREW:ROUND POINT:3X6



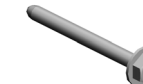
04543006Q
TAPPING SCREW - M3X6



04543008Q
TAPPING SCREW:3X8



04543020Q
TAPPING SCREW::3X20



04543030Q
TAPPING SCREW:ROUND POINT:3X30



04544006N
TAPPING SCREW:ROUND POINT:4X6

Standard Parts



04544006Q
TAPPING SCREW:4X6



04544008N
TAPPING SCREW:ROUND P
OINT:4X8



04544008Q
TAPPING SCREW - M4X8



04583008N
HEXAGON HEAD TAPPING S
CREW:3X8



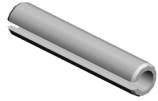
04583010N
HEXAGON HEAD TAPPING S
CREW:3X10



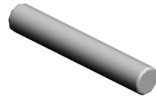
04593008N
BINDING HEAD TAPPING SC
REW:3X8



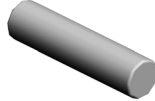
04593010N
BINDING HEAD TAPPING SC
REW:3X10



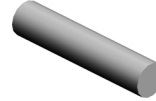
06230160E
SPRING PIN:3X16



06320120G
PARALLEL PIN - 2X12



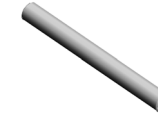
06330120G
PARALLEL PIN - 3X12



06330140G
PARALLEL PIN - 3X14



06330160G
PARALLEL PIN - 3X16MM



06330280G
PIN - 3X28



07010050N
WASHER:DIA5



07010060N
WASHER DIA6



07080040N
WASHER - DIA4



07080060N
WASHER:DIA6



07080080N
WASHER-DIA8



07200020E
RETAINING RING - M2



07200025E
RETAINING RING - M2.5



07200030E
RETAINING RING - M3



07200040E
RETAINING RING - M4



07200050E
RETAINING RING - M5



07200060E
RETAINING RING - M6



07200080E
RETAINING RING - M8



07270060E
RETAINING RING - M6



07270080E
RETAINING RING - M8



07330812
BUSHING:DIA8X12

Standard Parts



07403008
BALL BEARING - 8X22X7



07403206
BALL BEARING - 6X19X6



07403506
BALL BEARING - 6X12X4 MM



07403706
BALL BEARING - M6X10X3



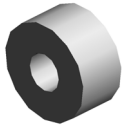
07403708
BALL BEARING: DIA8XDIA12X
3.5



07403804
BALL BEARING: DIA4XDIA9X4



07403808
BALL BEARING - 8X16X5MM



07403903
BALL BEARING: DIA3XDIA8X4



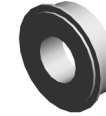
07413506
BALL BEARING - 6X12X4 MM



07413706
BALL BEARING - 6X10X3



07413708
BALL BEARING - 8X12X3.5M
M



07433808
RADIAL BALL BEARING: DIA8
XDIA16X5



07433912
RADIAL BALL BEARING: DIA1
2XDIA24X6



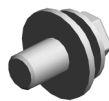
07922074C
SYNCHRONOUS BELT: 40S2
M148:CR



07924076C
SYNCHRONOUS BELT: 60S2
M152:CR



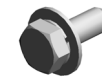
07924158C
SYNCHRONOUS BELT: 60S2
M316:CR



08010236
HEXAGONAL BOLT: DOUBLE
SCREW: M4X8



08010238
HEXAGON HEAD BOLT: DOU
BLE SCREW: M4X14



08046123
HEXAGONAL BOLT: W/WASH
ER: M3X8



08050072
CS RING



08050089
RETAINING RING - M4



08050092
RETAINING RING - 3M



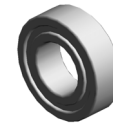
08050100
RETAINING RING - M2.5



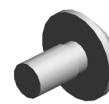
08050104
RETAINING RINGS-E: SILENC
ER: DIA4



08053263
BEARING - 6X10X6MM



08053573
RADIAL BALL BEARING: DIA8
XDIA16X5



09514008N
SCREW: POLISHED ROUND:
M4X8



09514010N
SCREW: POLISHED ROUND:
M4X10

Standard Parts



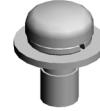
09543008N
SCREW - M3X8



09543025N
SCREW:POLISHED ROUND/
SPRING:M3X25



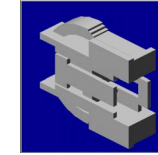
09544008N
SCREW - M4X8



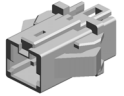
09545010N
SCREW:POLISHED ROUND/
SPRING:M5X10



09545014N
SCREW - M5X14



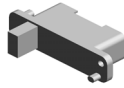
11026283
CONNECTOR - 2P



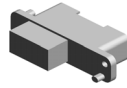
11029145
CONNECTOR:0-292215-2



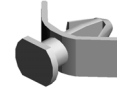
11029431
CONNECTOR:1-1612256-2



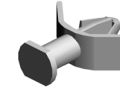
11034749
CONNECTOR:39P-RWZV-K4
GG-P2(LF)(SN)



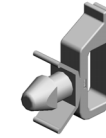
11035448
CONNECTOR:23P-RWZV-K4
GG-P6(LF)(SN)



11050409
CARD SPACER- 6.4MM



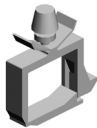
11050410
CARD SPACER - 9.4MM



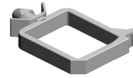
11050487
HARNESS CLAMP



11050488
HARNESS CLAMP



11050489
HARNESS CLAMP - LWS 131
6



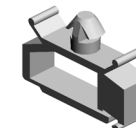
11050490
HARNESS CLAMP - IWS-2218



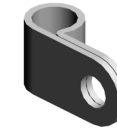
11050508
HARNESS CLAMP - LWS-071
1



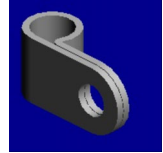
11050511
HARNESS CLAMP - LWS-030
6ZC



11050516
CLAMP



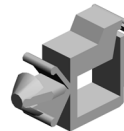
11050529
NYLON CLAMP-EMT-3N



11050530
NYLON CLAMP-EMT-4N



11050532
EDGE SADDLE - LES-25L



11050534
CLAMP



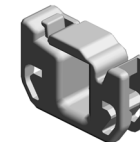
11050551
CLAMP:LES-0505



11050600
CLAMP:LWSM-0306-2M



11050601
CLAMP:LWSM-0511-2M

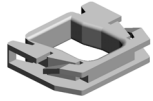


11050692
CLAMP:LES-0503



11050723
CLAMPS:WES-0507

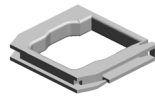
Standard Parts



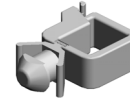
11050724
CLAMPS:WES-1210



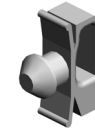
11050725
CLAMPS:WES-1117



11050726
CLAMPS:WES-2217



11050751
CLAMP:LWSM-0606-3.2M



11050758
CLAMP:LWSM-0306A



11050759
CLAMP:LWSM-0605A



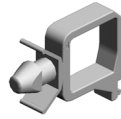
11050760
CLAMP:LWSM-0511A



11050761
CLAMP:LWS-0511A



11050762
CLAMP:LWS-0711A



11050763
CLAMP:LWS-1211A



11050764
CLAMP:LWS-1316A



11050765
CLAMP:LWS-2218A



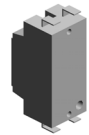
11050788
NEW SUPER LOCK:NSL-13



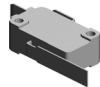
11060193
BUSHING - 7.9MM



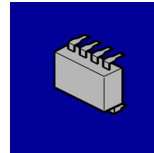
11060349
BUSHING - 25



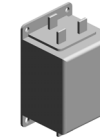
11071281
FUSE:BJ52012F2



12042612
MICRO SWITCH:D3V-16506-3
C25



14077899
EEPROM:BR24T256-W



16071799
FILTER - SUP-ET20-ER-0

PM Part List

Number	Part Name	Num	Group	ID
D0BX2500	GRID:CHARGE CORONA	4	U002_S001	49
			U002_S002	49
			U002_S003	49
			U002_S004	49
D1792224	CORONA WIRE:CHARGE CORONA	12	U002_S001	44
			U002_S002	44
			U002_S003	44
			U002_S004	44
D1793581	BLADE:CLEANING:ASS'Y	4	U005_S003	59
			U005_S006	59
			U005_S009	59
			U005_S012	59
D2586321	BLADE:BELT CLEANING:ASS'Y	1	U008_S001_S002	22
G1782510	CLEANER:CORONA WIRE:ASS'Y	12	U002_S001	31
			U002_S002	31
			U002_S003	31
			U002_S004	31
G1782605	TENSION SPRING:CORONA WIRE	12	U002_S001	37
			U002_S002	37
			U002_S003	37
			U002_S004	37
M0B13652	BLADE:APPLY:ASS'Y	4	U005_S003	138
			U005_S006	138
			U005_S009	138
			U005_S012	138
M0B16192	(C/M/Y):ROLLER:INTERMEDIATE TRANSFER:ASS'Y	3	U006	260
M0B16362	TRANSFER/TRANSPORT BELT:NO.2:ASS'Y	1	U008_S001_S001	74
M0B16573	COLLECTION BOTTLE:TONER RECYCLING:ASS'Y	1	U010	56
M0ED9510	OPC DRUM DIA100	4	U005	149
M0EDR763	CLEANING BLADE:ROLLER:COLLECT:ASS'Y	3	U007_S002_S001	105
			U007_S002_S002	105
			U007_S002_S003	105
M2052140	PLATE:UPPER:POSITIONING SENSOR:INTERMEDIATE T	1	U006	223

Number	Part Name	Num	Group	ID
	RANSFER:ASS'Y			
M2052242	CLEANER:GRID:ASS'Y	4	U002_S001	43
			U002_S002	43
			U002_S003	43
			U002_S004	43
M2052245	CUSHION:CORONA WIRE	24	U002_S001	45
			U002_S002	45
			U002_S003	45
			U002_S004	45
M2053479	VIBRATING PLATE:BELT CLEANING:ASS'Y	3	U007_S002_S001	49
			U007_S002_S002	49
			U007_S002_S003	49
M2053481	ROLLER:CLEANING:ASS'Y	1	U007_S002_S003	50
M2053487	COATING BAR:ASS'Y	1	U007_S003_S001	51
M2053540	BLADE:COLLECT:C:0.15MM	4	U005_S003	87
			U005_S006	87
			U005_S009	87
			U005_S012	87
M2053565	BRUSH ROLLER:CLEANING	4	U005_S003	94
			U005_S006	94
			U005_S009	94
			U005_S012	94
M2053630	COATING BAR:ASS'Y	4	U005_S003	96
			U005_S006	96
			U005_S009	96
			U005_S012	96
M2053645	BRUSH ROLLER:APPLY:SUB-ASS'Y	4	U005_S003	99
			U005_S006	99
			U005_S009	99
			U005_S012	99
M2053760	ROLLER:COLLECT:ASS'Y	2	U007_S002_S001	65
			U007_S002_S002	65
M2053776	ROLLER:COLLECT:NO.3:ASS'Y	1	U007_S002_S003	71
M2053782	BRUSH ROLLER:CLEANING:ASS'Y	1	U007_S002_S001	76
M2053787	BRUSH ROLLER:CLEANING:NO.2:ASS'Y	1	U007_S002_S002	77

PM Part List

Number	Part Name	Num	Group	ID
M2053828	BRUSH ROLLER:APPLY:ASS'Y	1	U007_S003	86
M2053945	COATING BAR:ASS'Y	1	U008_S001_S002_S002	48
M2056460	ROLLER:OPPOSED:PAPER:ASS'Y	1	U006	190
M2056549	BRUSH:APPLY:BELT CLEANING:ASS'Y	1	U008_S001_S002	46
M2056684	(BLACK):ROLLER:INTERMEDIATE TRANSFER:ASS'Y	1	U006	100
M2056790	FLAT BELT-TRANSFER:ASS'Y	1	U006	224
M2056928	FILTER:PREVENTFENCE	4	U015	89
M2057091	OZONE FILTER:KCH-A12	1	U015_S005	103

Design Change List

Number	Title	Set	Old Part		New Part		Index No.		Q'ty	Interchg		Reason	Cut-in S/N
			P/N	Name	P/N	Name	Group	ID		Indiv.	Set		
202312-01	2312Modification	A	M2051054	BRACKET:SAFETY SWITCH:COVER:UPPER FRONT	M0EDA055	BRACKET:SAFETY SWITCH:COVER:UPPER FRONT	U015	128	1	X/X			
202312-02	2312Modification	A			M0EDA057	SHAFT:CONTACT POINT:PUSH SWITCH	U015	129	1				
202312-03	2312Modification	A	B8306161	MAGNETIC DOOR CATCH	M0EDA056	DOOR CATCH:MAGNETIC	U001_S003	91	1	X/X			
202312-04	2312Modification	A			B2291080	CUSHION:SAFETY SWITCH	U015	127	1				
202312-05	2312Modification	A			08050100	RETAINING RING - M2.5	U015	126	1				
					08050100	RETAINING RING - M2.5	U015	126	1				
202309-01	2309Modification	-	M2053857	VACUUM	M0EDK155	VACUUM	U009_S001	34	1	O/O			
202309-02	2309Modification	-	AA043553	TIMING BELT-B60S2M316	07924158C	SYNCHRONOUS BELT:60S2M316:CR	U011	622	2	O/O			
202306-01	2306Modification	-	M2053763	CLEANING BLADE:ROLLER:ASS'Y	M0EDR763	CLEANING BLADE:ROLLER:COLLECT:ASS'Y	U007_S002_S001	105	1	O/O			
			M2053763	CLEANING BLADE:ROLLER:ASS'Y	M0EDR763	CLEANING BLADE:ROLLER:COLLECT:ASS'Y	U007_S002_S003	105	1	O/O			
			M2053763	CLEANING BLADE:ROLLER:ASS'Y	M0EDR763	CLEANING BLADE:ROLLER:COLLECT:ASS'Y	U007_S002_S002	105	1	O/O			
202306-02	2306Modification	-	M2052392	SEAL:INNER COVER:PCU:LOWER	M0EDF543	SEAL:INNER COVER:PCU:LOWER	U005_S002	150	1	O/O			
							U005_S005	150	1				
							U005_S008	150	1				

Design Change List

Number	Title	Set	Old Part		New Part		Index No.		Q'ty	Interchg		Reason	Cut-in S/N
			P/N	Name	P/N	Name	Group	ID		Indiv.	Set		
		-					U005_S011	150	1				
202305-01	2305Modification	-			M2051394	COVER:GREASE :DRIVE ROLLER	U006	261	1				
202305-02	2305Modification	-	09543025N	SCREW:POLISH ED ROUND/SPRI NG:M3X25			U015	12	1				
			09543025N	SCREW:POLISH ED ROUND/SPRI NG:M3X25			U015	12	1				
202303-01	2303Modification	-	M0777429	BALL BEARING:R EGISTRATION:D RIVEN:REAR	M0EB4671	RADIAL BALL BE ARING:REGISTR ATION:DRIVEN:R EAR	U011_S013	621	1	O/O			
			M0777429	BALL BEARING:R EGISTRATION:D RIVEN:REAR	M0EB4671	RADIAL BALL BE ARING:REGISTR ATION:DRIVEN:R EAR	U011_S013	621	1	O/O			
202303-02	2303Modification	-	M0777428	BALL BEARING:R EGISTRATION:D RIVEN:FRONT	M0EB4670	RADIAL BALL BE ARING:REGISTR ATION:DRIVEN:F RONT	U011_S013	620	1	O/O			
			M0777428	BALL BEARING:R EGISTRATION:D RIVEN:FRONT	M0EB4670	RADIAL BALL BE ARING:REGISTR ATION:DRIVEN:F RONT	U011_S013	620	1	O/O			
202303-03	2303Modification	-	M2051646	COVER:UPPER F RONT:SUB-ASS' Y	M0ED1647	COVER:UPPER F RONT:SUB-ASS' Y	U001_S003	90	1	X/O			
202303-04	2303Modification	-	M2051315	HOLDER:DEVEL OPMENT:DRIVE	M0EDB137	BRACKET:DRIVE SUB-UNIT:DEVE	U012_S004	49	1	O/O			

Design Change List

Number	Title	Set	Old Part		New Part		Index No.		Q'ty	Interchg		Reason	Cut-in S/N
			P/N	Name	P/N	Name	Group	ID		Indiv.	Set		
		-		SUB-UNIT:ASS'Y		LOPMENT:ASS'Y							
			M2051315	HOLDER:DEVELOPMENT:DRIVE SUB-UNIT:ASS'Y	M0EDB137	BRACKET:DRIVE SUB-UNIT:DEVELOPMENT:ASS'Y	U012_S003	49	1	O/O			
			M2051315	HOLDER:DEVELOPMENT:DRIVE SUB-UNIT:ASS'Y	M0EDB137	BRACKET:DRIVE SUB-UNIT:DEVELOPMENT:ASS'Y	U012_S002	49	1	O/O			
			M2051315	HOLDER:DEVELOPMENT:DRIVE SUB-UNIT:ASS'Y	M0EDB137	BRACKET:DRIVE SUB-UNIT:DEVELOPMENT:ASS'Y	U012_S001	49	1	O/O			
202303-05	2303Modification	-	M2059510	OPC DRUM DIA100	M0ED9510	OPC DRUM DIA100	U005	149	1	O/O			
			M2059510	OPC DRUM DIA100	M0ED9510	OPC DRUM DIA100	U005	149	1	O/O			
			M2059510	OPC DRUM DIA100	M0ED9510	OPC DRUM DIA100	U005	149	1	O/O			
			M2059510	OPC DRUM DIA100	M0ED9510	OPC DRUM DIA100	U005	149	1	O/O			
202303-06	2303Modification	-	D0742679	HOLDER:DC STEPPER MOTOR:SHIFT	D0BX2679	HOLDER:DC STEPPER MOTOR:SHIFT	U011_S013	619	1	O/O			
202301-01	2301Mod1fication	-	G1782719	HOLDER:DRUM:REMOVER/INSTALL:REAR	M0EDF523	HOLDER:DRUM:REMOVER/INSTALL:REAR	U005	148	4	O/O			
202301-02	2301Mod1fication	A	M2051680	SHAFT:MECHANICAL ROLLER CLUTCH	M0EDC680	SHAFT:MECHANICAL ROLLER CLUTCH	U001	88	2	X/O	X/O		
202301-03	2301Mod1fication	A	M2051611	BRACKET:HINGE:TONER SUPPLY SUB-UNIT:RIGH	M0EDC611	BRACKET:HINGE:TONER SUPPLY SUB-UNIT:RIGH	U001	87	2	X/O	X/O		

Design Change List

Number	Title	Set	Old Part		New Part		Index No.		Q'ty	Interchg		Reason	Cut-in S/N
			P/N	Name	P/N	Name	Group	ID		Indiv.	Set		
				T		T							
202210-01	2210Modification	-	D1796051	(C/M/Y):ROLLER: INTERMEDIATE TRANSFER:ASS' Y	M0B16192	(C/M/Y):ROLLER: INTERMEDIATE TRANSFER:ASS' Y	U006	260	1	O/O			
			D1796051	(C/M/Y):ROLLER: INTERMEDIATE TRANSFER:ASS' Y	M0B16192	(C/M/Y):ROLLER: INTERMEDIATE TRANSFER:ASS' Y	U006	260	1	O/O			
			D1796051	(C/M/Y):ROLLER: INTERMEDIATE TRANSFER:ASS' Y	M0B16192	(C/M/Y):ROLLER: INTERMEDIATE TRANSFER:ASS' Y	U006	260	1	O/O			
202209-01	2209Modification	-	D1942279	PCB:ELECTRIC POTENTIAL SENSOR	D0A52279	BASE:ELECTRIC POTENTIAL SENSOR	U013	70	1	O/O			
202208-01	2208Modification	-			G1787816	STOPPER:PIPE:TONER RECYCLING	U010_S003	65	2				
202208-02	2208Modification	-			G1787082	PLATE:SENSOR:TONER RECYCLING	U010_S003	64	1				
202208-03	2208Modification	-			G1787056	PIPE:NO.1:HORIZONTAL TRANSPORT:TONER RECYCLING	U010_S003	63	1				
202208-04	2208Modification	-			G1787018	SHUTTER:TONE R RECYCLING	U010_S003	62	1				
202208-05	2208Modification	-			G1786999	HOLDER:BEARING:TONER RECY	U010_S003_S001	61	1				

Design Change List

Number	Title	Set	Old Part		New Part		Index No.		Q'ty	Interchg		Reason	Cut-in S/N
			P/N	Name	P/N	Name	Group	ID		Indiv.	Set		
		-				CLING:ASS'Y							
202208-06	2208Modification	-			G1786977	HOLDER:BEARING:NO.1:TONER RECYCLING	U010_S003	60	1				
202208-08	2208Modification	-	11050758	CLAMP:LWSM-0306A			U010_S003	15	1				
202208-09	2208Modification	-	M2052468	BRACKET:BELT UNIT:FRONT	M0EDG468	BRACKET:BELT UNIT:FRONT	U011	618	1	O/O			
202207-01	2207Modification	-			M2056395	GUIDE PLATE:BRACKET:SENSOR:SCALE:PEEN	U006	259	2				
202207-02	2207Modification	-			M2051443	POSITIONING PLATE:FLAT BELT-TRANSFER:PLATE:LOWER:PEEN	U006	258	1				
202207-03	2207Modification	-	M2051276	GRIP:COVER:CONTROL UNIT	M0B11276	GRIP:COVER:CONTROL UNIT	U015_S001	124	2	X/O			
202206-01	2206Modification	-	D7772633	STAY:SLIDE RAIL:PEEN	D7773000	STAY:SLIDE RAIL:PEEN	U011_S011	617	1	O/O			
			D7772633	STAY:SLIDE RAIL:PEEN	D7773000	STAY:SLIDE RAIL:PEEN	U011_S011	617	1	O/O			
202204-01	2204Modification	-			M2053497	BRACKET:COVER:MECHANICAL DRIVE SECTION: TAKE OFF:ASS'Y	U007_S002_S004_S00	102	1				
202204-02	2204Modification	-	M2055501	(-NA):POWER SUPPLY CORD:MAIN:12AWG			U013_S003	55	1				
202202-02	2202Modification	-			B2342440	LED ARRAY - QL	U002_S005	16	1				
					B2342440	LED ARRAY - QL	U002_S006	16	1				

Design Change List

Number	Title	Set	Old Part		New Part		Index No.		Q'ty	Interchg		Reason	Cut-in S/N
			P/N	Name	P/N	Name	Group	ID		Indiv.	Set		
		-			B2342440	LED ARRAY - QL	U002_S007	16	1				
		-			B2342440	LED ARRAY - QL	U002_S008	16	1				
202201-01	2201Modification	-	M2053781	CASE:BELT CLEANING:LOWER:NO.3:SUB-ASS'Y	M0B13774	SERVICE PARTS :CLEANING UNIT :INTERMEDIATE TRANSFER:NO.3	U007_S002_S003_S001	101	1	O/O			
202201-02	2201Modification	-	M2055502	(EU/AA):POWER SUPPLY CORD: MAIN:12AWG			U013_S004	56	1				
		-	M2055502	(EU/AA):POWER SUPPLY CORD: MAIN:12AWG			U013_S005	56	1				
202112-01	2112 Modification	-	C2813956	SYNCHRONOUS BELT:60S2M152	07924076C	SYNCHRONOUS BELT:60S2M152: CR	U011_S013	616	2	O/O			
202111-01	2111 Modification	-			M2053577	BRACKET:CLEANING:ASS'Y	U005_S003_S001	147	1				
		-					U005_S006_S001	147	1				
		-					U005_S009_S001	147	1				
		-					U005_S012_S001	147	1				
202111-02	2111 Modification	-	M0B12211	DISCHARGE LAMP:LED ARRAY			U002_S005		1				
		-	M0B12211	DISCHARGE LAMP:LED ARRAY			U002_S008		1				
		-	M0B12211	DISCHARGE LAMP:LED ARRAY			U002_S007		1				
		-	M0B12211	DISCHARGE LA			U002_S006		1				

Design Change List

Number	Title	Set	Old Part		New Part		Index No.		Q'ty	Interchg		Reason	Cut-in S/N
			P/N	Name	P/N	Name	Group	ID		Indiv.	Set		
		-		MP:LED ARRAY									
202110-01	2110 Modification	-			M0B15122	(NA):SERVICE PARTS:POWER SUPPLY CORD:RIGHT:ASS'Y	U013_S003	68	1				
202110-02	2110 Modification	-			M0B15123	(EU/AA):SERVICE PARTS:POWER SUPPLY CORD:RIGHT:ASS'Y	U013_S004	69	1				
					M0B15123	(EU/AA):SERVICE PARTS:POWER SUPPLY CORD:RIGHT:ASS'Y	U013_S005	69	1				
202109-01	2109 Modification	-	D0AK5100	SD-CARD:NICE:APPLICATION:ASS'Y	D0CQ5100	SD-CARD:NICE:APPLICATION:ASS'Y	U013	67	2	O/O			
202108-01	2108 Modification	-	AA043627	TIMING BELT - B40S2M148	07922074C	SYNCHRONOUS BELT:40S2M148:CR	U011	614	2	O/O			
202108-02	2108 Modification	-	D7772977	COVER:SIDE FENCE:LOCK:FRONT	D7773077	COVER:SIDE FENCE:LOCK:FRONT	U011_S011	615	1	O/O			
202106-01	2106 Modification	-	D7772758	PAWL:TRAY BOTTOM PLATE:AUXILIARY	D3EW2758	PAWL:TRAY BOTTOM PLATE:AUXILIARY	U011_S011_S004	611	4	O/O			
202106-02	2106 Modification	-	GA043026	TIMING BELT:60S2M234	GA043046	SYNCHRONOUS BELT:60S2M234	U011	613	3	O/O			
202106-03	2106 Modification	-			D7771158	BRACKET:TRANSPORT:DRIVE:PLATE	U011_S001	612	1				

Design Change List

Number	Title	Set	Old Part		New Part		Index No.		Q'ty	Interchg		Reason	Cut-in S/N
			P/N	Name	P/N	Name	Group	ID		Indiv.	Set		
202105-01	2105 Modification	-	M2052130	ROLLER:FIX:INTERMEDIATE TRANSFER:PRESS FIT	M0B12130	ROLLER:FIX:INTERMEDIATE TRANSFER:PRESS FIT	U006	257	1	O/O			
202105-02	2105 Modification	-			M2053067	GEAR:TRANSPORT SCREW:NO.3	U005_S001	146	1				
							U005_S004	146	1				
							U005_S007	146	1				
							U005_S010	146	1				
202105-03	2105 Modification	-			11035053	CONNECTOR:36W6R-RFC-EGD-1G(LF)(SN)	B4(4/11)		1				
202102-01	2102 Modification	-	B2233441	TIMING BELT:TONER BOTTLE	D6882282	SYNCHRONOUS BELT:B40S2M200	U011_S013	610	1	O/O			
202102-02	2102 Modification	-			M0B13779	SERVICE PARTS:CLEANING UNIT:INTERMEDIATE TRANSFER:NO.1	U007_S002_S001_S001	99	1				
202102-03	2102 Modification	-			M0B13788	SERVICE PARTS:CLEANING UNIT:INTERMEDIATE TRANSFER:NO.2	U007_S002_S002_S001	100	1				
202102-04	2102 Modification	-	M2056291	FRAME:TENSION:INTERMEDIATE TRANSFER:WELDING	M0B16550	FRAME:TENSION:INTERMEDIATE TRANSFER:WELDING	U006	256	1	O/O			
202012-01	2012 Modification	-			D1943702	HOUSING:TONE R BANK	U004_S005	97	2				
							U004_S006	97	2				
							U004_S007	97	2				
							U004_S008	97	2				

Design Change List

Number	Title	Set	Old Part		New Part		Index No.		Q'ty	Interchg		Reason	Cut-in S/N
			P/N	Name	P/N	Name	Group	ID		Indiv.	Set		
202011-01	2011 Modification	-			D0A57797	SD-CARD:SP:BA TCH:TOOL:ASS'Y	Special Too ls	24	1				
202011-02	2011 Modification	-	D1792370	GRIP:DRUM:ASS' Y	M0B12370	GRIP:PHOTOCO NDUCTOR	U005	145	1	O/O			
			D1792370	GRIP:DRUM:ASS' Y	M0B12370	GRIP:PHOTOCO NDUCTOR	U005	145	1	O/O			
			D1792370	GRIP:DRUM:ASS' Y	M0B12370	GRIP:PHOTOCO NDUCTOR	U005	145	1	O/O			
			D1792370	GRIP:DRUM:ASS' Y	M0B12370	GRIP:PHOTOCO NDUCTOR	U005	145	1	O/O			
202011-03	2011 Modification	-	D1793420	JIG:SHEET:DOC TOR BLADE	M0B13320	JIG:SHEET:DOC TOR BLADE	Special Too ls	25	1	O/O			
202011-04	2011 Modification	-	03540100N	SCREW - M4X10	M0B11582	STEPPED SCRE W:M4:DIA10	U006_S002	255	1	X/O			
202011-05	2011 Modification	-	07010050N	WASHER:DIA5	M0B11485	DIAPHRAGM SP RING:ASS'Y	U006_S002	252	1	X/O			
202011-06	2011 Modification	-	M2051353	HOLDER:ENCOD ER:ASS'Y	M0B11580	HOLDER:ENCOD ER:ASS'Y	U006	254	1	X/O			
202011-07	2011 Modification	-	AA043976	TIMING BELT:40 S2M142	M0B11361	SYNCHRONOUS BELT:40S2M142	U006	251	1	O/O			
202011-08	2011 Modification	-	D0742685	SYNCHRONOUS BELT:B80S2M19 0	AA043727	SYNCHRONOUS BELT:80S2M190	U011_S013	609	1	O/O			
202011-09	2011 Modification	-			M0B11575	STEPPED SCRE W:DIAPHRAGM S PRING:ASS'Y	U006_S002	253	1				
202011-10	2011 Modification	-			11029803	CONNECTOR:6-2 92235-0	D5(4/8), G5 (4/8)		2				
202011-11	2011 Modification	-			11029805	CONNECTOR:6-2 92233-0	D4(4/8), G4 (4/8)		2				

Design Change List

Number	Title	Set	Old Part		New Part		Index No.		Q'ty	Interchg		Reason	Cut-in S/N
			P/N	Name	P/N	Name	Group	ID		Indiv.	Set		
202011-12	2011 Modification	-			11035047	CONNECTOR:RF CP-36W6-E	B5(4/8)		1				
202010-01	2010 Modification	-	G1781602	ARM:SAFETY S WITCH:UPPER:A SS'Y	M0B11063	ARM:SAFETY S WITCH:UPPER:A SS'Y	U015	123	1	X/O			
202009-01	2009 Modification	-	M2057599	DECAL:H-TEMP WARNING:REGIS TRATION:LEFT	M0B19013	DECAL:H-TEMP WARNING:REGIS TRATION:LEFT	U011	608	1	X/O			
202009-02	2009 Modification	A	D0746144	BRACKET:INTER MEDIATE TRANS FER:FRONT	D0A56044	BRACKET:INTER MEDIATE TRANS FER:FRONT	U006	249	4	X/O			
202009-03	2009 Modification	A	D0746145	BRACKET:INTER MEDIATE TRANS FER:REAR	D0A56045	BRACKET:INTER MEDIATE TRANS FER:REAR	U006	250	4	X/O			
202008-01	2008 Modification	-	M2050638	BELT UNIT:TRAN SFER/SEPARATI ON:ASS'Y	M2050639	BELT UNIT:TRAN SFER/SEPARATI ON:ASS'Y	U008_S001 _S001	78	1	O/O			
202008-02	2008 Modification	-	AZ240306	POWER SUPPLY UNIT:FW:200V	AZ240365	POWER SUPPLY UNIT:FW:200V	U013	66	1	X/O			
			AZ240306	POWER SUPPLY UNIT:FW:200V	AZ240365	POWER SUPPLY UNIT:FW:200V	U013	66	1	X/O			
202007-01	2007 Modification	-	M2055600	CABLE:MAIN:OP TICAL WRITING UNIT:USB	M0B15865	CABLE:MAIN:OP TICAL WRITING UNIT:USB	D4(2/8)		1	O/O			
202007-02	2007 Modification	-			D1943714	HOOK:CAP:TON ER BOTTLE	U004_S005	93	2				
							U004_S006	93	2				
							U004_S007	93	2				
							U004_S008	93	2				
202007-03	2007 Modification	-			D1943715	TORSION SPRIN G:HOOK:CAP:TO	U004_S005	94	2				
							U004_S006	94	2				

Design Change List

Number	Title	Set	Old Part		New Part		Index No.		Q'ty	Interchg		Reason	Cut-in S/N
			P/N	Name	P/N	Name	Group	ID		Indiv.	Set		
		-				NER BOTTLE	U004_S007	94	2				
							U004_S008	94	2				
202007-04	2007 Modification	-			D1943723	COMPRESSION SPRING:RACK:HOOK	U004_S005	95	2				
							U004_S006	95	2				
							U004_S007	95	2				
							U004_S008	95	2				
202007-05	2007 Modification	-			M2053174	HOLDER:COIL SPRING:AUXILIARY	U004_S005	96	2				
							U004_S006	96	2				
							U004_S007	96	2				
							U004_S008	96	2				
202007-06	2007 Modification	-	M2056500	TRANSFER ROLLER:NO.2:ASS'Y	M2056699	TRANSFER ROLLER:NO.2:ASS'Y	U008_S001_S001	77	1	O/O			
202007-07	2007 Modification	-	M2052063	SHIELD GLASS:ASS'Y	M0B12063	SHIELD GLASS:ASS'Y	U003_S004	12	1	X/O			
			M2052063	SHIELD GLASS:ASS'Y	M0B12063	SHIELD GLASS:ASS'Y	U003_S003	12	1	X/O			
			M2052063	SHIELD GLASS:ASS'Y	M0B12063	SHIELD GLASS:ASS'Y	U003_S002	12	1	X/O			
			M2052063	SHIELD GLASS:ASS'Y	M0B12063	SHIELD GLASS:ASS'Y	U003_S001	12	1	X/O			
202007-08	2007 Modification	-	M2051280	CASTER	M0B11280	CASTER	U015	122	4	O/O			
202005-01	2005 Modification	-	C2693956	TIMING BELT:S2M152	C2813956	SYNCHRONOUS BELT:60S2M152	U011_S013	606	2	O/O			
202005-02	2005 Modification	-	M2052495	PAPER TRAY:ASS'Y	M2052496	PAPER TRAY:ASS'Y	U011_S011	607	1	X/O			
202005-03	2005 Modification	A	03603006N	SCREW - M3X6	03603008N	SCREW:M3X8	U009_S001	30	1	X/O			
			03603006N	SCREW - M3X6	03603008N	SCREW:M3X8	U009_S001	30	1	X/O			
202005-04	2005 Modification	A	M2053855	TRANSPORT BELT UNIT:NO.1:ASS'Y	M2053896	TRANSPORT BELT UNIT:NO.1:ASS'Y	U009_S001	33	1	X/O			

Design Change List

Number	Title	Set	Old Part		New Part		Index No.		Q'ty	Interchg		Reason	Cut-in S/N
			P/N	Name	P/N	Name	Group	ID		Indiv.	Set		
202005-05	2005 Modification	A	M2053874	DRIVE ROLLER: SEPARATION/TR ANSPORT	M0B13702	DRIVE ROLLER: SEPARATION/TR ANSPORT:PRES S FIT	U009_S001	32	1	X/O			
202005-06	2005 Modification	A			M0B13701	BRACKET:PLATE :DRIVE ROLLER	U009_S001	31	1				
202005-07	2005 Modification	-	M2050637	BELT UNIT:TRAN SFER/SEPARATI ON SECTION:AS S'Y	M2050635	BELT UNIT:TRAN SFER/SEPARATI ON SECTION:AS S'Y	U008_S001	76	1	O/O			
202005-08	2005 Modification	A			D1943716	HOOK:UPPER:C AP:TONER BOTT LE	U004_S005	92	2				
							U004_S006	92	2				
							U004_S007	92	2				
							U004_S008	92	2				
202002-01	2002 Modification	-	03530100N	SCREW-M3X10	03530080N	SCREW:M3X8	U005_S010	3	1	O/O			
			03530100N	SCREW-M3X10	03530080N	SCREW:M3X8	U005_S010	3	1	O/O			
			03530100N	SCREW-M3X10	03530080N	SCREW:M3X8	U005_S007	3	1	O/O			
			03530100N	SCREW-M3X10	03530080N	SCREW:M3X8	U005_S007	3	1	O/O			
			03530100N	SCREW-M3X10	03530080N	SCREW:M3X8	U005_S001	3	1	O/O			
			03530100N	SCREW-M3X10	03530080N	SCREW:M3X8	U005_S001	3	1	O/O			
			03530100N	SCREW-M3X10	03530080N	SCREW:M3X8	U005_S004	3	1	O/O			
			03530100N	SCREW-M3X10	03530080N	SCREW:M3X8	U005_S004	3	1	O/O			
202002-02	2002 Modification	-	AW020198	PHOTOINTERRU PTOR:LG2A14NL 1	GW020024	PHOTOINTERRU PTOR:LG2A24BL 1:GF	U011_S011	605	1	O/O			
			AW020198	PHOTOINTERRU PTOR:LG2A14NL 1	GW020024	PHOTOINTERRU PTOR:LG2A24BL 1:GF	U011_S011	605	1	O/O			
			AW020198	PHOTOINTERRU PTOR:LG2A14NL	GW020024	PHOTOINTERRU PTOR:LG2A24BL	U011_S011	605	1	O/O			

Design Change List

Number	Title	Set	Old Part		New Part		Index No.		Q'ty	Interchg		Reason	Cut-in S/N
			P/N	Name	P/N	Name	Group	ID		Indiv.	Set		
		-		1		1:GF							
			AW020198	PHOTOINTERRU PTOR:LG2A14NL 1	GW020024	PHOTOINTERRU PTOR:LG2A24BL 1:GF	U011_S011	605	1	O/O			
			AW020198	PHOTOINTERRU PTOR:LG2A14NL 1	GW020024	PHOTOINTERRU PTOR:LG2A24BL 1:GF	U011_S011	605	1	O/O			
			AW020198	PHOTOINTERRU PTOR:LG2A14NL 1	GW020024	PHOTOINTERRU PTOR:LG2A24BL 1:GF	U011_S011	605	1	O/O			
			AW020198	PHOTOINTERRU PTOR:LG2A14NL 1	GW020024	PHOTOINTERRU PTOR:LG2A24BL 1:GF	U011_S011	605	1	O/O			
			AW020198	PHOTOINTERRU PTOR:LG2A14NL 1	GW020024	PHOTOINTERRU PTOR:LG2A24BL 1:GF	U011_S011	605	1	O/O			
202002-03	2002 Modification	-			M2053553	HOLDER:SEPAR ATION PLATE:BR USH ROLLER	U005_S003	144	1				
							U005_S006	144	1				
							U005_S009	144	1				
							U005_S012	144	1				
202002-04	2002 Modification	-			M2052365	SPACER:HOLDE R:CHARGE COR ONA:FRONT	U005_S001	143	3				
							U005_S004	143	3				
							U005_S007	143	3				
							U005_S010	143	3				
202002-05	2002 Modification	-			M2056827	GUIDE:REAR:TO NER RECYCLING	U010_S001	58	4				
202001-01	2001 Modification	B	D7772795	PULLEY:ROLLIN G:LONG:ASS'Y	D3EW2795	PULLEY:ROLLIN G:LONG:ASS'Y	U011_S011	603	1	X/O			
			D7772795	PULLEY:ROLLIN G:LONG:ASS'Y	D3EW2795	PULLEY:ROLLIN G:LONG:ASS'Y	U011_S011	603	1	X/O			

Design Change List

Number	Title	Set	Old Part		New Part		Index No.		Q'ty	Interchg		Reason	Cut-in S/N
			P/N	Name	P/N	Name	Group	ID		Indiv.	Set		
202001-02	2001 Modification	B	D7772796	PULLEY:ROLLIN G:SHORT:ASS'Y	D3EW2796	PULLEY:ROLLIN G:SHORT:ASS'Y	U011_S011	604	1	X/O			
			D7772796	PULLEY:ROLLIN G:SHORT:ASS'Y	D3EW2796	PULLEY:ROLLIN G:SHORT:ASS'Y	U011_S011	604	1	X/O			
202001-03	2001 Modification	-	AZ240305	POWER SUPPLY UNIT:ECO:200V	AZ240375	POWER SUPPLY UNIT:ECO:200V	U013	65	2	X/O			
201912-01	1912 Modification	-	M2055100	(C9100):SD-CAR D:NICE:ANDROM EDA:ASS'Y	D0AK5100	SD-CARD:NICE:A PPLICATION:ASS 'Y	U013	63	1	X/O			
201912-02	1912 Modification	-			M2051720	PARALLEL KEY:3 X3X15	U006	248	1				
201911-01	1911 Modification	-	B2342440	LED ARRAY - QL			U002_S005	16	1	O/O			
							U002_S006	16	1				
							U002_S007	16	1				
							U002_S008	16	1				
201911-02	1911 Modification	-	D0BX6051	(C/M/Y):ROLLER: INTERMEDIATE TRANSFER:ASS' Y	D1796051	(C/M/Y):ROLLER: INTERMEDIATE TRANSFER:ASS' Y	U006	100	1	X/O			
			D0BX6051	(C/M/Y):ROLLER: INTERMEDIATE TRANSFER:ASS' Y	D1796051	(C/M/Y):ROLLER: INTERMEDIATE TRANSFER:ASS' Y	U006	100	1	X/O			
			D0BX6051	(C/M/Y):ROLLER: INTERMEDIATE TRANSFER:ASS' Y	D1796051	(C/M/Y):ROLLER: INTERMEDIATE TRANSFER:ASS' Y	U006	100	1	X/O			
201911-03	1911 Modification	-	D1945398	HARNESS:DEBU G:MONITOR:SER VICE:CONNECTI	M0B15888	HARNESS:DEBU G:MONITOR:SER VICE	Special Too ls	23	1	O/O			

Design Change List

Number	Title	Set	Old Part		New Part		Index No.		Q'ty	Interchg		Reason	Cut-in S/N
			P/N	Name	P/N	Name	Group	ID		Indiv.	Set		
		-		NG									
201911-04	1911 Modification	-			M0B11360	SERVICE PARTS :SEAL:HOUSING: DRIVE:MIDDLE	U006_S006	246	1				
201911-05	1911 Modification	-			M0B11351	SEAL:HOUSING: DRIVE:INTERME DIATE TRANSFE R:NO.1	U006_S006	240	1				
201911-06	1911 Modification	-			M0B11352	SEAL:HOUSING: DRIVE:INTERME DIATE TRANSFE R:NO.2	U006_S006	241	1				
201911-07	1911 Modification	-			M0B11353	SEAL:HOUSING: DRIVE:INTERME DIATE TRANSFE R:NO.3	U006_S006	242	1				
201911-08	1911 Modification	-			M0B11354	SEAL:HOUSING: DRIVE:INTERME DIATE TRANSFE R:NO.4	U006_S006	243	1				
201911-09	1911 Modification	-			M0B11355	SEAL:HOUSING: DRIVE:INTERME DIATE TRANSFE R:NO.5	U006_S006	244	1				
201911-10	1911 Modification	-			M0B11356	SEAL:HOUSING: DRIVE:INTERME DIATE TRANSFE R:NO.6	U006_S006	245	1				
201909-01	1909 Modification	-			M0B13380	SPONGE:COUPL ING:TONER SUP	U005_S001	140	1				
							U005_S004	140	1				

Design Change List

Number	Title	Set	Old Part		New Part		Index No.		Q'ty	Interchg		Reason	Cut-in S/N
			P/N	Name	P/N	Name	Group	ID		Indiv.	Set		
		-				PLY:DEVELOPMENT UNIT	U005_S007	140	1				
							U005_S010	140	1				
201909-02	1909 Modification	-	M2053548	ROLLER:COLLECT	M0B13546	ROLLER:COLLECT:ASS'Y	U005_S003	141	1	O/O			
							U005_S006	141	1				
							U005_S009	141	1				
							U005_S012	141	1				
201907-01	1907 Modification	-			M2056465	CASE:OPPOSED:TRANSFER ROLLER:REAR	U006	239	1				
201907-04	1907 Modification	-			D0743819	PLATE:ROLLER:TENSION	U006	238	1				
201905-01	1905 Modification	-	D1796051	(C/M/Y):ROLLER:INTERMEDIATE TRANSFER:ASS'Y	D0BX6051	(C/M/Y):ROLLER:INTERMEDIATE TRANSFER:ASS'Y	U006	237	1	O/O			
			D1796051	(C/M/Y):ROLLER:INTERMEDIATE TRANSFER:ASS'Y	D0BX6051	(C/M/Y):ROLLER:INTERMEDIATE TRANSFER:ASS'Y	U006	237	1	O/O			
			D1796051	(C/M/Y):ROLLER:INTERMEDIATE TRANSFER:ASS'Y	D0BX6051	(C/M/Y):ROLLER:INTERMEDIATE TRANSFER:ASS'Y	U006	237	1	O/O			
201904-01	1904 Modification	-	G1781268	ANTISTATIC BRUSH:DRUM	M0B11328	ANTISTATIC BRUSH:DRUM	U012_S001	46	1	X/O			
							U012_S002	46	1				
							U012_S003	46	1				
							U012_S004	46	1				
201903-01	1903 Modification	-	G1782500	GRID:CHARGE CORONA	D0BX2500	GRID:CHARGE CORONA	U002_S001	49	1	O/O			
							U002_S002	49	1				
							U002_S003	49	1				

Design Change List

Number	Title	Set	Old Part		New Part		Index No.		Q'ty	Interchg		Reason	Cut-in S/N
			P/N	Name	P/N	Name	Group	ID		Indiv.	Set		
		-					U002_S004	49	1				
201903-02	1903 Modification	-			D1947175	SHEET:DUCT:OZ ONE UNIT:C/T B OX	U013	64	1				
201903-03	1903 Modification	-	AW500040	PUSH SWITCH:S W1AG-550:10MA	AW500049	PUSH SWITCH:S W1AG-550	U006	236	1	O/O			
201902-01	1902 Modification	-	M2053334	DECAL:TONER B OTTLE:LED:K1	M0B13333	DECAL:DESIGN SKETCH:TONER BOTTLE:LED	U004	86	1	O/O			
201902-02	1902 Modification	-	M2053335	DECAL:TONER B OTTLE:LED:K2	M0B13333	DECAL:DESIGN SKETCH:TONER BOTTLE:LED	U004	86	1	O/O			
201901-01	1901 Modification	-	M2053721	CLEANING UNIT: INTERMEDIATE TRANSFER:ASS' Y	M2050182	CLEANING UNIT: INTERMEDIATE TRANSFER:ASS' Y	U007_S002	98	1	O/O			
201901-02	1901 Modification	-	M2057400	TRANSPORT UNI T:REGISTRATIO N:PULL OUT:ASS 'Y	M2057478	TRANSPORT UNI T:REGISTRATIO N:PULL OUT:ASS 'Y	U011_S013	602	1	O/O			
201901-03	1901 Modification	-			D0A53710	SEAL:REAR:SLID ER:TONER BANK :T6	U004_S005	91	2				
							U004_S006	91	2				
							U004_S007	91	2				
							U004_S008	91	2				
201812-01	1812 Modification	-	M2051627	BRACKET:SAFET Y SWITCH:DOOR	M2051664	BRACKET:SAFET Y SWITCH:DOOR	U001_S001	86	1	O/O			
							U001_S002	86	1				
201812-02	1812 Modification	-	M2053336	DECAL:TONER B OTTLE:LED:C1	M0B13333	DECAL:DESIGN SKETCH:TONER BOTTLE:LED	U004	86	1	O/O			
201812-03	1812 Modification	-	M2053337	DECAL:TONER B	M0B13333	DECAL:DESIGN	U004	86	1	O/O			

Design Change List

Number	Title	Set	Old Part		New Part		Index No.		Q'ty	Interchg		Reason	Cut-in S/N
			P/N	Name	P/N	Name	Group	ID		Indiv.	Set		
		-		OTTLE:LED:C2		SKETCH:TONER BOTTLE:LED							
201812-04	1812 Modification	-	M2053340	DECAL:TONER BOTTLE:LED:Y1	M0B13333	DECAL:DESIGN SKETCH:TONER BOTTLE:LED	U004	86	1	O/O			
201812-05	1812 Modification	-	M2053341	DECAL:TONER BOTTLE:LED:Y2	M0B13333	DECAL:DESIGN SKETCH:TONER BOTTLE:LED	U004	86	1	O/O			
201812-06	1812 Modification	-	D1792771	ARM:REGISTRATION:TIMING:ASS'Y	D2702771	ARM:REGISTRATION:TIMING:ASS'Y	U011_S013_S001	601	1	O/O			
201812-07	1812 Modification	-			D0A53588	BRACKET:RACK:STOPPER	U004_S005	87	1				
					D0A53588	BRACKET:RACK:STOPPER	U004_S005	87	1				
					D0A53588	BRACKET:RACK:STOPPER	U004_S006	87	1				
					D0A53588	BRACKET:RACK:STOPPER	U004_S006	87	1				
					D0A53588	BRACKET:RACK:STOPPER	U004_S007	87	1				
					D0A53588	BRACKET:RACK:STOPPER	U004_S007	87	1				
					D0A53588	BRACKET:RACK:STOPPER	U004_S008	87	1				
					D0A53588	BRACKET:RACK:STOPPER	U004_S008	87	1				
201812-08	1812 Modification	-			D1943707	SLIDER:TONER BANK	U004_S005	88	2				
							U004_S006	88	2				
							U004_S007	88	2				

Design Change List

Number	Title	Set	Old Part		New Part		Index No.		Q'ty	Interchg		Reason	Cut-in S/N
			P/N	Name	P/N	Name	Group	ID		Indiv.	Set		
		-					U004_S008	88	2				
201812-09	1812 Modification	-			D1943708	SEAL:INNER:SLI DER:TONER BAN K	U004_S005	89	2				
							U004_S006	89	2				
							U004_S007	89	2				
							U004_S008	89	2				
201812-10	1812 Modification	-			D1943709	SEAL:OUTER:SLI DER:TONER BAN K	U004_S005	90	2				
							U004_S006	90	2				
							U004_S007	90	2				
							U004_S008	90	2				
201811-01	1811 Modification	-	D0747261	LIQUID COOLING :PT:ASS'Y	D0748515	LIQUID COOLING :PT:ASS'Y	U017	10	1	O/O			
201811-02	1811 Modification	-			G1785397	PCB:SIFB:CROS S	Special Too ls	22	1				
201811-03	1811 Modification	-			D1945398	HARNESS:DEBU G:MONITOR:SER VICE:CONNECTI NG							
201810-01	1810 Modification	-	D2605100	SD-CARD:NICE:A PPLICATION:ASS 'Y	D0AK5100	SD-CARD:NICE:A PPLICATION:ASS 'Y	U013	63	1	X/O			
201810-02	1810 Modification	-	M2053338	DECAL:TONER B OTTLE:LED:M1	M0B13333	DECAL:DESIGN SKETCH:TONER BOTTLE:LED	U004	86	1	O/O			
201810-03	1810 Modification	-	M2053339	DECAL:TONER B OTTLE:LED:M2	M0B13333	DECAL:DESIGN SKETCH:TONER BOTTLE:LED	U004	86	1	O/O			
201810-04	1810 Modification	-	M2051326	DRIVE UNIT:IMA GING:ASS'Y	M2051333	DRIVE UNIT:IMA GING:ASS'Y	U012_S001	45	1	O/O			
			M2051326	DRIVE UNIT:IMA GING:ASS'Y	M2051333	DRIVE UNIT:IMA GING:ASS'Y	U012_S002	45	1	O/O			

Design Change List

Number	Title	Set	Old Part		New Part		Index No.		Q'ty	Interchg		Reason	Cut-in S/N
			P/N	Name	P/N	Name	Group	ID		Indiv.	Set		
		-	M2051326	DRIVE UNIT:IMAGING:ASS'Y	M2051333	DRIVE UNIT:IMAGING:ASS'Y	U012_S003	45	1	O/O			
		-	M2051326	DRIVE UNIT:IMAGING:ASS'Y	M2051333	DRIVE UNIT:IMAGING:ASS'Y	U012_S004	45	1	O/O			
201810-05	1810 Modification	-			M2057053	DUCT:DEVELOPMENT:EXHAUST:BLOWER	U014	29	4				
201810-06	1810 Modification	-	H5194238	SPACER:ROLLER:CONNECTING			U011_S013	431	1	X/O		New part number G0603293,Int X/O	
		-	H5194238	SPACER:ROLLER:CONNECTING			U011_S013	431	1	X/O			
		-	H5194238	SPACER:ROLLER:CONNECTING			U011_S013	431	1	X/O			
		-	H5194238	SPACER:ROLLER:CONNECTING			U011_S013	431	1	X/O			
201810-07	1810 Modification	-			G0603293	SPACER:6.1X8.5X0.5	U011_S013	600	12	X/O		Old part number H5194238,Int X/O	
201809-01	1809 Modification	-	D1792786	DUCT:FAN:CONTACT IMAGE SENSOR	D2702786	DUCT:FAN:CONTACT IMAGE SENSOR	U011_S013	596	1	O/O			
201809-02	1809 Modification	-			D7772546	CHAMBER:FLAT BELT-PICKUP:CONCAVE:2MM	U011_S010	598	1				
201809-03	1809 Modification	-	D7772500	PAPER FEED UNIT:ASS'Y	D7772509	PAPER FEED UNIT:ASS'Y	U011_S010	597	1	X/O			
201809-04	1809 Modification	-	D7771188	GEAR:RISE:DRIVEN			U011_S005	276	1	X/O		New part number D7773009,Int X/O	
201809-05	1809 Modification	-			D7773009	GEAR:RISE:DRIVEN:ASS'Y	U011_S005	599	1	X/O		Old part number D7771188,Int X/O	
201809-06	1809 Modification	-	M2051625	BRACKET:COUP	M0B11626	BRACKET:COUP	U001_S001	83	2	X/O			

Design Change List

Number	Title	Set	Old Part		New Part		Index No.		Q'ty	Interchg		Reason	Cut-in S/N
			P/N	Name	P/N	Name	Group	ID		Indiv.	Set		
		-		LING:DOOR		LING:DOOR							
201809-07	1809 Modification	-	M2051635	BRACKET:COUP LING:DOOR:LEF T LENGTHWISE	M0B11634	BRACKET:COUP LING:DOOR:LEF T LENGTHWISE	U001_S002	85	1	X/O			
201809-08	1809 Modification	-			M2056548	SEAL:BELT CLEA NING:TRANSFER /SEPARATION:L OWER	U008_S001 _S002	75	1				
					M2056548	SEAL:BELT CLEA NING:TRANSFER /SEPARATION:L OWER	U008_S001 _S002	75	1				
201809-09	1809 Modification	-			M2053461	BRACKET:BIAS	U015	121	4				
201809-10	1809 Modification	-	M2051789	HINGE:DOOR:RI GHT FRONT	M0B11624	HINGE:DOOR:RI GHT FRONT	U001_S001	82	1	X/O			
201809-11	1809 Modification	-	M2051790	HINGE:DOOR:LE FT FRONT	M0B11631	HINGE:DOOR:LE FT FRONT	U001_S002	84	1	X/O			
201808-01	1808 Modification	-	M2051668	BRACKET:SAFET Y SWITCH:TONE R SUPPLY UNIT	M0B11668	BRACKET:SAFET Y SWITCH:TONE R SUPPLY UNIT: PEEN	U001	81	1	O/O			
201808-02	1808 Modification	-	M2051608	BRACKET:MICR O SWITCH:TONE R SUPPLY SUB- UNIT:COVER	M0B11607	BRACKET:MICR O SWITCH:TONE R SUPPLY SUB- UNIT:COVER	U001	80	1	X/O			
201807-01	1807 Modification	-	M2051522	GEAR:DRIVE:CL EANER:26Z	M2051526	GEAR:DRIVE:CL EANER:26Z	U012_S001	43	1	X/O			
							U012_S002	43	1				
							U012_S003	43	1				
							U012_S004	43	1				
201807-02	1807 Modification	-	M2051523	GEAR:CLEANER:	M2051527	GEAR:CLEANER:	U012_S001	44	1	X/O			

Design Change List

Number	Title	Set	Old Part		New Part		Index No.		Q'ty	Interchg		Reason	Cut-in S/N
			P/N	Name	P/N	Name	Group	ID		Indiv.	Set		
		-		IDLER:35Z/28Z		IDLER:35Z/28Z							
			M2051523	GEAR:CLEANER: IDLER:35Z/28Z	M2051527	GEAR:CLEANER: IDLER:35Z/28Z	U012_S002	44	1	X/O			
			M2051523	GEAR:CLEANER: IDLER:35Z/28Z	M2051527	GEAR:CLEANER: IDLER:35Z/28Z	U012_S003	44	1	X/O			
			M2051523	GEAR:CLEANER: IDLER:35Z/28Z	M2051527	GEAR:CLEANER: IDLER:35Z/28Z	U012_S004	44	1	X/O			
201807-03	1807 Modification	-	M2054763	BRACKET:GUAR D:HEATER	M0B12410	BRACKET:GUAR D:HEATER	U011	595	1	X/X			
201807-04	1807 Modification	-	M2056135	PCB:DTU	M2056136	PCB:DTU	U015	120	1	X/O			
201807-05	1807 Modification	-	D1792647	SHAFT:SHIFT	D2702647	SHAFT:SHIFT	U011_S013	594	1	O/O			
201807-06	1807 Modification	-			M2056398	SLIDE RAIL:BELT CLEANING:UPP ER	U006	234	1				
201807-07	1807 Modification	-			M2056399	SLIDE RAIL:APPL Y:INTERMEDIAT E TRANSFER	U006	235	1				
201807-08	1807 Modification	-			M2053880	BRACKET:DC ST EPPER MOTOR: SEPARATION/TR ANSPORT	U009_S001	29	1				
201807-09	1807 Modification	A	M2055686	HARNESS:REGIS TRATION:DRB:S ENSOR	M2055694	HARNESS:REGIS TRATION:DRB:S ENSOR	C7(5/11),D 7(5/11)		2	X/O			
201807-10	1807 Modification	A	M2055686	HARNESS:REGIS TRATION:DRB:S ENSOR	M2055664	CABLE:SECOND: TRANSFER:SEN SOR:SHIELD WI RE	G7(5/11)		1	X/O			
201807-11	1807 Modification	-	M2055861	HARNESS:SDB:T RAY:CONNECTI			D12(7/11)		0				

Design Change List

Number	Title	Set	Old Part		New Part		Index No.		Q'ty	Interchg		Reason	Cut-in S/N
			P/N	Name	P/N	Name	Group	ID		Indiv.	Set		
		-		NG									
201806-01	1806 Modification	-	M2055349	PCB:TDRB	M0B15349	PCB:TDRB	U006	233	1	O/O			
201806-02	1806 Modification	-	M2053501	CLEANING UNIT: ASS'Y	M0B13500	CLEANING UNIT: ASS'Y	U005_S003	139	1	O/O			
			M2053501	CLEANING UNIT: ASS'Y	M0B13500	CLEANING UNIT: ASS'Y	U005_S006	139	1	O/O			
			M2053501	CLEANING UNIT: ASS'Y	M0B13500	CLEANING UNIT: ASS'Y	U005_S009	139	1	O/O			
			M2053501	CLEANING UNIT: ASS'Y	M0B13500	CLEANING UNIT: ASS'Y	U005_S012	139	1	O/O			
201806-03	1806 Modification	-			M2051305	SHAFT:DRIVE:TRANSPORT SCREW:ASS'Y	U012_S001	41	1				
							U012_S002	41	1				
							U012_S003	41	1				
							U012_S004	41	1				
201806-04	1806 Modification	-			M2051347	SHAFT:DRIVE:DEVELOPMENT SLEEVE:ASS'Y	U012_S001	42	1				
							U012_S002	42	1				
							U012_S003	42	1				
							U012_S004	42	1				
201806-05	1806 Modification	-			M2052070	COVER:SHIELD GLASS	U003	11	4				
201805-01	1805 Modification	-	M2056501	TRANSFER/TRANSPORT BELT:NO.2:ASS'Y	M0B16362	TRANSFER/TRANSPORT BELT:NO.2:ASS'Y	U008_S001	74	1	O/O			
201805-02	1805 Modification	-	M2053652	BLADE:APPLY:ASS'Y	M0B13652	BLADE:APPLY:ASS'Y	U005_S003	138	1	X/O			
							U005_S006	138	1				
							U005_S009	138	1				

Design Change List

Number	Title	Set	Old Part		New Part		Index No.		Q'ty	Interchg		Reason	Cut-in S/N
			P/N	Name	P/N	Name	Group	ID		Indiv.	Set		
		-					U005_S012	138	1				
201805-03	1805 Modification	-			M2056346	SLIDER:ON-OFF: COLOR:FRONT:P EEN	U006	232	1				
201805-04	1805 Modification	-			D7771445	DAMPER:TRAY:R IGHT:ASS'Y	U011_S009	593	1	X/O		Old part number D7771459/D7771 462/D7771465,Int x/o	
201805-05	1805 Modification	-	D7771458	BRACKET:DAMP ER			U011_S008	287	1	X/O		New part number D7771440,Int x/o	
201805-06	1805 Modification	-	D7771462	BRACKET:DAMP ER:SUPPORT:LA RGE			U011_S008	289	1	X/O		New part number D7771440,Int x/o	
201805-07	1805 Modification	-	D7771465	BRACKET:DAMP ER:SUPPORT			U011_S008	291	1	X/O		New part number D7771440,Int x/o	
201805-08	1805 Modification	-			D7771440	DAMPER:TRAY:L EFT:ASS'Y	U011_S008	592	1	X/O		Old part number D7771458/D7771 462/D7771465,Int x/o	
201805-09	1805 Modification	-	D7771459	BRACKET:DAMP ER			U011_S009	288	1	X/O		New part number D7771445,Int x/o	
201805-10	1805 Modification	-	D7771462	BRACKET:DAMP ER:SUPPORT:LA RGE			U011_S009	289	1	X/O		New part number D7771445,Int x/o	
201805-11	1805 Modification	-	D7771465	BRACKET:DAMP ER:SUPPORT			U011_S009	291	1	X/O		New part number D7771445,Int x/o	

Design Change List

Number	Title	Set	Old Part		New Part		Index No.		Q'ty	Interchg		Reason	Cut-in S/N
			P/N	Name	P/N	Name	Group	ID		Indiv.	Set		
201804-01	1804 Modification	-			D1943712	HOLDER:HOOK: CAP:TONER BOT TLE	U004_S005	85	2				
							U004_S006	85	2				
							U004_S007	85	2				
							U004_S008	85	2				
201803-01	1803 Modification	-			M2051671	PLATE:LOGO:RI COH	U001	79	1				
201803-02	1803 Modification	-	M2052099	POSITIONING SE NSOR:SCALE:IN TERMEDIATE TR ANSFER:ASS'Y	M2052100	POSITIONING SE NSOR:SCALE:IN TERMEDIATE TR ANSFER:ASS'Y	U006_S003	231	1	O/O			
201803-03	1803 Modification	-			M0B11368	POSITIONING SE NSOR:FLAT BEL T-TRANSFER:AS S'Y	U006_S001	230	1				
201803-04	1803 Modification	-			M2051647	COVER:UPPER F RONT	U001_S003	78	1				
201803-05	1803 Modification	-			D7772636	ADJUSTING PLA TE:DRUM STAY: UPPER	U011_S011	590	1				
201803-06	1803 Modification	-			M2057598	DECAL:PAPER T RAY:DESIGN SK ETCH:1	U011_S007	591	1				
201803-07	1803 Modification	-			M0771861	TUBE TYPE LAM P:TAC:ASS'Y	U001	77	1				
201802-01	1802 Modification	-	AG070515	MAGNET CATCH :13N	AG070513	MAGNET CATCH	U011_S011 _S004	589	2	O/O			
201802-02	1802 Modification	-	M2053108	TONER BANK:KA NAN:ASS'Y	M2053119	TONER BANK:KA NAN:ASS'Y	U004_S005	84	1	X/O			
			M2053108	TONER BANK:KA NAN:ASS'Y	M2053119	TONER BANK:KA NAN:ASS'Y	U004_S006	84	1	X/O			

Design Change List

Number	Title	Set	Old Part		New Part		Index No.		Q'ty	Interchg		Reason	Cut-in S/N
			P/N	Name	P/N	Name	Group	ID		Indiv.	Set		
		-	M2053108	TONER BANK:KANAN:ASS'Y	M2053119	TONER BANK:KANAN:ASS'Y	U004_S007	84	1	X/O			
		-	M2053108	TONER BANK:KANAN:ASS'Y	M2053119	TONER BANK:KANAN:ASS'Y	U004_S008	84	1	X/O			
201801-01	1801 Modification	-	D0743898	BRACKET:POSITIONING SENSOR:SLACK PREVENTION	D0A53898	BRACKET:POSITIONING SENSOR:SLACK PREVENTION	U006	229	2	O/O			
201801-02	1801 Modification	-	C5922233	TIMING BELT - 2M190	GA043018	SYNCHRONOUS BELT:B100S2M190	U007_S001	96	1	X/O			
201801-03	1801 Modification	-			M2053790	MECHANICAL DRIVE SECTION:CLEANING UNIT:FRONT:ASS'Y	U007_S002_S004	97	1				
201801-04	1801 Modification	-			D0746390	LEVER:TENSION:ROLLER:FRONT	U006	227	1				
201801-05	1801 Modification	-			D0746394	LEVER:TENSION:ROLLER:REAR	U006	228	1				
201712-01	1712 Modification	-			M2053785	SEAL:SIDE:FRONT	U007_S002_S001	94	1				
							U007_S002_S002	94	1				
							U007_S002_S003	94	1				
201712-02	1712 Modification	-			M2053786	SEAL:SIDE:REAR	U007_S002_S001	95	1				
							U007_S002_S002	95	1				
							U007_S002	95	1				

Design Change List

Number	Title	Set	Old Part		New Part		Index No.		Q'ty	Interchg		Reason	Cut-in S/N
			P/N	Name	P/N	Name	Group	ID		Indiv.	Set		
		-					_S003						
201712-03	1712 Modification	-			M2056565	STOPPER:BELT UNIT:PRESSURE STAND:INNER	U011_S013	587	2				
201712-04	1712 Modification	-			M2056585	STOPPER:BELT UNIT:PRESSURE STAND:OUTER	U011_S013	588	1				
201712-05	1712 Modification	-	M2056134	PCB:DTU	M2056135	PCB:DTU	U015	119	1	O/O			
201712-06	1712 Modification	-			M2053485	SEAL:SIDE:UPPE R	U007_S002 _S001	93	2				
							U007_S002 _S002	93	2				
							U007_S002 _S003	93	2				
201712-07	1712 Modification	-			M2055728	HARNESS:OPER ATION SUB-UNIT	C4(2/11),J1 3(6/11)		2				
201712-08	1712 Modification	-			M2055660	HARNESS:TRAN SFER:SEPARATI ON:DRAWER:SE NSOR	G3(2/11)		1				
201712-09	1712 Modification	-			M2055564	HARNESS:BELT CLEANING:DRA WER:CONNECTI NG	G4(2/11)		1				
201711-01	1711 Modification	-			M2051358	HOUSING:DRIVE :INTERMEDIATE TRANSFER:ASS' Y	U006	225	1				
201711-02	1711 Modification	-			M2056291	FRAME:TENSION :INTERMEDIATE	U006	226	1				

Design Change List

Number	Title	Set	Old Part		New Part		Index No.		Q'ty	Interchg		Reason	Cut-in S/N
			P/N	Name	P/N	Name	Group	ID		Indiv.	Set		
		-				TRANSFER:WEL DING							
201711-03	1711 Modification	-			D1792627	SIDE PLATE:SHI FT:REGISTRATI ON:REAR:PEEN	U011_S013	586	1				
201711-04	1711 Modification	-	D1055899	HOLDER:TEMPE RATURE & HUMI DITY SENSOR	D1055898	HOLDER:TEMPE RATURE & HUMI DITY SENSOR	U014	28	1	X/O			
201711-05	1711 Modification	-	M2056708	TONER RECYCLI NG SUB-UNIT:H ORIZONTAL TRA NSPORT:LOWER :ASS'Y	M2056710	TONER RECYCLI NG SUB-UNIT:H ORIZONTAL TRA NSPORT:LOWER :ASS'Y	U010_S003	57	1	O/O			
201711-06	1711 Modification	-	G1786973	COLLECTION BO TTLE:ASS'Y	M0B16573	COLLECTION BO TTLE:TONER RE CYCLING:ASS'Y	U010	56	1	O/O			
201710-01	1710 Modification	-	M2053168	INNER COVER:T ONER BANK	M0B13168	INNER COVER:T ONER BANK	U004_S005	83	1	O/O			
						U004_S006	83	1					
						U004_S007	83	1					
						U004_S008	83	1					
201710-02	1710 Modification	-	D0396137	ENCODER:ASS'Y	D1941496	ENCODER:ASS'Y	U011_S013	585	1	O/O			
201709-01	1709 Modification	-	M2057328	SHAFT:REGISTR ATION:TIMING R OLLER	D1792727	SHAFT:TIMING R OLLER:REGISTR ATION:DRIVEN	U011_S013	584	1	O/O			
201709-02	1709 Modification	-			D1793055	SEAL:CASE:FRO NT:DEVELOPME NT	U005_S001	134	1				
						U005_S004	134	1					
						U005_S007	134	1					
						U005_S010	134	1					
201709-03	1709 Modification	-			M0773390	SEAL:DRUM:FRO NT	U005_S001	135	1				
						U005_S004	135	1					

Design Change List

Number	Title	Set	Old Part		New Part		Index No.		Q'ty	Interchg		Reason	Cut-in S/N
			P/N	Name	P/N	Name	Group	ID		Indiv.	Set		
		-					U005_S007	135	1				
							U005_S010	135	1				
201709-04	1709 Modification	-			M0773480	SEAL:CASE:REA R:DEVELOPMEN T UNIT	U005_S001	136	1				
							U005_S004	136	1				
							U005_S007	136	1				
							U005_S010	136	1				
201709-05	1709 Modification	-			M2053379	SEAL:DRUM:REA R	U005_S001	137	1				
							U005_S004	137	1				
							U005_S007	137	1				
							U005_S010	137	1				
201708-01	1708 Modification	-	04514008N	TAPPING SCRE W:4X8	04544008N	TAPPING SCRE W:ROUND POINT .4X8	U001_S003	76	1	X/O			
			04514008N	TAPPING SCRE W:4X8	04544008N	TAPPING SCRE W:ROUND POINT .4X8	U001_S003	76	1	X/O			
			04514008N	TAPPING SCRE W:4X8	04544008N	TAPPING SCRE W:ROUND POINT .4X8	U001_S003	76	1	X/O			
201708-02	1708 Modification	-			M2052406	HOLDER:ELECT RIC POTENTIAL SENSOR	U005	133	4				
201707-01	1707 Modification	A			M2057466	DUCT:SHIFT:CIS	U011_S013	582	1		X/O	Set[A] D2702636: GUIDE PLATE:S HIFT:REGISTRAT ION:LOWER(PCI L201612-01) Set I nt x/o	
201707-02	1707 Modification	-	B2346191	HEATER UNIT - L OWER	M2056191	HEAT SINK:HEAT ER:LOWER:ASS'	U011_S006	583	1	O/O			

Design Change List

Number	Title	Set	Old Part		New Part		Index No.		Q'ty	Interchg		Reason	Cut-in S/N
			P/N	Name	P/N	Name	Group	ID		Indiv.	Set		
		-				Y							
201707-03	1707 Modification	-	M2056695	FLAT BELT-TRANSFER:ASS'Y	M2056790	FLAT BELT-TRANSFER:ASS'Y	U006	224	1	O/O			
201707-04	1707 Modification	-			M2053585	SEAL:CLEANING BLADE:FRONT	U005_S003	128	1				
							U005_S006	128	1				
							U005_S009	128	1				
							U005_S012	128	1				
201707-05	1707 Modification	-			M2053586	SEAL:CLEANING BLADE:REAR	U005_S003	129	1				
							U005_S006	129	1				
							U005_S009	129	1				
							U005_S012	129	1				
201707-06	1707 Modification	-			M2053662	SEAL:APPLY:FRONT	U005_S003	131	1				
							U005_S006	131	1				
							U005_S009	131	1				
							U005_S012	131	1				
201707-07	1707 Modification	-			M2053663	SEAL:APPLY:REAR	U005_S003	132	1				
							U005_S006	132	1				
							U005_S009	132	1				
							U005_S012	132	1				
201707-08	1707 Modification	-			M2053647	HOLDER:BEARING:APPLY:ASS'Y	U005_S003	130	1	X/O		Old part number M2053648 Int x/o	
							U005_S006	130	1				
							U005_S009	130	1				
							U005_S012	130	1				
201706-01	1706 Modification	-			D7772634	HOOK:WIRE:FRONT	U011_S011	581	2				
201705-01	1705 Modification	-			M2053855	TRANSPORT BELT UNIT:NO.1:ASS'Y	U009	28	1				
201705-02	1705 Modification	-			D2605100	SD-CARD:NICE:APPLICATION:ASS	U013	62	1				

Design Change List

Number	Title	Set	Old Part		New Part		Index No.		Q'ty	Interchg		Reason	Cut-in S/N
			P/N	Name	P/N	Name	Group	ID		Indiv.	Set		
		-				'Y							
201705-03	1705 Modification	-			D1792624	SIDE PLATE:SHI FT:REGISTRATI ON:FRONT:PEEN	U011_S013	580	1				
201704-01	1704 Modification	-			M2053486	SEAL:SIDE:APPL Y:FRONT	U007_S003	91	1				
201704-02	1704 Modification	-			M2053825	GUIDE PLATE:SE AL:APPLY:FRON T SIDE	U007_S003	92	1				
201704-03	1704 Modification	-			M2053901	SCRAPER:BRUS H:REMOVE PAP ER DUST:ASS'Y	U008_S001 _S002_S00 1	73	1				
201703-01	1703 Modification	A	D7772943	BRACKET:DAMP ER	D7773013	BRACKET:DAMP ER:PEEN	U011_S011	379	1	X/O			
201703-02	1703 Modification	A	D7772947	BRACKET:GEAR	D7773018	BRACKET:GEAR: PEEN	U011_S011	380	1	X/O			
201703-03	1703 Modification	A			D7773020	BRACKET:DAMP ER:GEAR:PLATE	U011_S011	579	1				
201703-05	1703 Modification	-			D1792467	LEVER:POSITIO NING:CLEANING	U005_S001 U005_S004 U005_S007 U005_S010	127 127 127 127	1 1 1 1				
201703-06	1703 Modification	-	M2051583	DOOR:LEFT FRO NT:ASS'Y	M2051703	DOOR:LEFT FRO NT:ASS'Y	U001_S002	30	1	O/O			
201703-07	1703 Modification	-	M2057310	TRANSPORT UNI T:REGISTRATIO N:PULL OUT:ASS 'Y	M2057400	TRANSPORT UNI T:REGISTRATIO N:PULL OUT:ASS 'Y	U011	498	1	O/O			
201702-01	1702 Modification	-	D7772981	DUCT:SIDE:BLO WER:SUB-ASS'Y	D7772571	DUCT:SIDE:BLO WER:SUB-ASS'Y	U011_S011 _S001	395	1	X/O			

Design Change List

Number	Title	Set	Old Part		New Part		Index No.		Q'ty	Interchg		Reason	Cut-in S/N
			P/N	Name	P/N	Name	Group	ID		Indiv.	Set		
201702-02	1702 Modification	-	D7772986	DUCT:SIDE:BL OWER:REAR:ASS' Y	D7772576	DUCT:SIDE:BL OWER:REAR:ASS' Y	U011_S011 _S002	396	1	X/O			
201702-03	1702 Modification	-			M2053702	DRIVE UNIT:BEL T CLEANING:INT ERMEDIATE TRA NSFER:ASS'Y	U007_S001	90	1				
201702-04	1702 Modification	-			M2051315	HOLDER:DEVEL OPMENT:DRIVE SUB-UNIT:ASS'Y	U012_S001	39	1				
							U012_S002	39	1				
							U012_S003	39	1				
							U012_S004	39	1				
201702-05	1702 Modification	-			M2051525	HOLDER:MOTOR :CLEANER:PRES S FIT	U012_S001	40	1				
							U012_S002	40	1				
							U012_S003	40	1				
							U012_S004	40	1				
201702-06	1702 Modification	-	M2053085	FILTER:DEVELO PMENT			U005_S001	119	1				
							U005_S004	119	1				
							U005_S007	119	1				
							U005_S010	119	1				
201702-07	1702 Modification	-	D7772919	COLLAR:BASE			U011_S011 _S004	376	4				
201701-02	1701 Modification	-			D0745101	SD-CARD:NICE:R EGI2:ASS'Y	U013	61	1				
201701-03	1701 Modification	-	M2053500	CLEANING UNIT: ASS'Y	M2053501	CLEANING UNIT: ASS'Y	U005	82	1	O/O			
			M2053500	CLEANING UNIT: ASS'Y	M2053501	CLEANING UNIT: ASS'Y	U005	82	1	O/O			
			M2053500	CLEANING UNIT: ASS'Y	M2053501	CLEANING UNIT: ASS'Y	U005	82	1	O/O			
			M2053500	CLEANING UNIT: ASS'Y	M2053501	CLEANING UNIT: ASS'Y	U005	82	1	O/O			

Design Change List

Number	Title	Set	Old Part		New Part		Index No.		Q'ty	Interchg		Reason	Cut-in S/N
			P/N	Name	P/N	Name	Group	ID		Indiv.	Set		
		-		ASS'Y		ASS'Y							
201701-04	1701 Modification	-	M2056133	PCB:DTU	M2056134	PCB:DTU	U015	115	1	X/O			
201612-01	1612 Modification	A	D1792636	GUIDE PLATE:SHIFT:REGISTRATION:LOWER	D2702636	GUIDE PLATE:SHIFT:REGISTRATION:LOWER	U011_S013	205	1	X/O	X/O	Set[A] M2057466: DUCT:SHIFT:CIS(PCIL201707-01) Set Int x/o	
201612-02	1612 Modification	B	B1321224	SUPPORTING PLATE:BRACKET:LOCK	D1941234	SUPPORTING PLATE:BRACKET:LOCK	U011_S013	149	1	X/O	O/O		
201612-03	1612 Modification	B	G1784759	BRACKET:LOCK:EXIT	D1944759	BRACKET:LOCK:EXIT	U011_S013	409	1	X/O	O/O		
201612-04	1612 Modification	-	M2051588	PLATE:LOWER:POSITIONING SENSOR:INTERMEDIATE TRANSFER:FIBER			U006	139	1				
201612-05	1612 Modification	-			D7772639	SIDE PLATE:TRAY:LEFT UPPER	U011_S011	577	1				
201612-06	1612 Modification	-			D7772646	SIDE PLATE:TRAY:RIGHT UPPER:PEEN	U011_S011	578	1				
201612-07	1612 Modification	-			D7772633	STAY:SLIDE RAIL:PEEN	U011_S011	576	2				
201611-01	1611 Modification	-	D7771170	BLOWER:SEAL	D7771194	BLOWER:SEAL:ADHESION	U011_S003	271	1	X/O			
			D7771170	BLOWER:SEAL	D7771194	BLOWER:SEAL:ADHESION	U011_S004	271	1	X/O			
201611-02	1611 Modification	-	M2056132	PCB:DTU	M2056133	PCB:DTU	U015	114	1	O/O			
201611-03	1611 Modification	-			M2053910	SHAFT:FIX:BELT CLEANING:ASS'Y	U008_S001_S002_S00	72	1				

Design Change List

Number	Title	Set	Old Part		New Part		Index No.		Q'ty	Interchg		Reason	Cut-in S/N
			P/N	Name	P/N	Name	Group	ID		Indiv.	Set		
		-					3						
							U008_S001 _S002_S00 4	72	1				
201611-04	1611 Modification	-			03603035N	SCREW:M3X35	U008_S001 _S002	71	2				
201610-01	1610 Modification	-			M2051322	HOLDER:ANTIST ATIC BRUSH:PH OTOCONDUCTO R	U012_S001 U012_S002 U012_S003 U012_S004	38 38 38 38	1 1 1 1				
201610-02	1610 Modification	-			M2053183	GEAR:TONER BA NK:RIC:Y:ASS'Y	U004	82	2				
201609-01	1609 Modification	-	M2052316	(for BK):PCU:ASS 'Y	M2052326	(for BK):PCU:ASS 'Y	U005_S001	124	1	O/O		Old Part(P/No. M2052316)also can be used. However , the Expected Yield [Pages] for old part is 5000K.On the other hand,the old part price is lower than new part instead. Contact your regional head quarter for the price.	
201609-02	1609 Modification	-	M2052317	(for C and M):PC U:ASS'Y	M2052327	(for C and M):PC U:ASS'Y	U005_S004	125	1	O/O		Old Part(P/No. M2052317)also can be used. However , the Expected Yield [Pages] for old	
			M2052317	(for C and M):PC U:ASS'Y	M2052327	(for C and M):PC U:ASS'Y	U005_S007	125	1	O/O			

Design Change List

Number	Title	Set	Old Part		New Part		Index No.		Q'ty	Interchg		Reason	Cut-in S/N
			P/N	Name	P/N	Name	Group	ID		Indiv.	Set		
												part is 5000K. On the other hand, the old part price is lower than new part instead. Contact your regional head quarter for the price.	
201609-03	1609 Modification	-	M2052318	(for Y):PCU:ASS'Y	M2052328	(for Y):PCU:ASS'Y	U005_S010	126	1	O/O		Old Part(P/No. M2052318) also can be used. However, the Expected Yield [Pages] for old part is 5000K. On the other hand, the old part price is lower than new part instead. Contact your regional head quarter for the price.	
201609-04	1609 Modification	-	M2051589	PLATE:UPPER:POSITIONING SENSOR:INTERMEDIATE TRANSFER: CING	M2052140	PLATE:UPPER:POSITIONING SENSOR:INTERMEDIATE TRANSFER: ASS'Y	U006	223	1	X/O			
201609-05	1609 Modification	-	M2051590	PLATE:LOWER:POSITIONING SENSOR:PROCESSING FIGURE	M2052109	PLATE:LOWER:POSITIONING SENSOR:INTERMEDIATE TRANSFER:	U006_S003	213	1	X/O			

Design Change List

Number	Title	Set	Old Part		New Part		Index No.		Q'ty	Interchg		Reason	Cut-in S/N
			P/N	Name	P/N	Name	Group	ID		Indiv.	Set		
		-				ASS'Y							
201609-06	1609 Modification	-			M2052091	BRUSH ROLLER: COVER:ASS'Y	U006	219	1				
201609-07	1609 Modification	-			M2052128	CAP:ROLLER:INT ERMEDIATE TRA NSFER:PRESS FI T	U006	221	1				
201609-08	1609 Modification	-			M2052134	PLATE:RADIAL B ALL BEARING	U006	222	1				
201609-09	1609 Modification	-			M2052063	SHIELD GLASS:A SS'Y	U003_S001	10	1				
							U003_S002	10	1				
							U003_S003	10	1				
							U003_S004	10	1				
201609-10	1609 Modification	-	M2051507	POSITIONING SE NSOR:SCALE:IN TERMEDIATE TR ANSFER:ASS'Y	M2052099	POSITIONING SE NSOR:SCALE:IN TERMEDIATE TR ANSFER:ASS'Y	U006	220	1	X/O			
201609-11	1609 Modification	-			M2053085	FILTER:DEVELO PMENT	U005_S001	119	1				
							U005_S004	119	1				
							U005_S007	119	1				
							U005_S010	119	1				
201609-12	1609 Modification	-			M2051035	PIN:POSITIONIN G:FRAME	U015	112	2				
201609-13	1609 Modification	-			M2051090	HEXAGON HEAD BOLT WITH WA SHER:M8X16	U015	113	2				
201609-14	1609 Modification	-			M2053922	SEAL:BELT CLEA NING:TRANSFER /SEPARATION:F RONT	U008_S001 _S002	69	1				

Design Change List

Number	Title	Set	Old Part		New Part		Index No.		Q'ty	Interchg		Reason	Cut-in S/N
			P/N	Name	P/N	Name	Group	ID		Indiv.	Set		
201609-15	1609 Modification	-			M2053923	SEAL:BELT CLEANING:TRANSFER/SEPARATION:REAR	U008_S001_S002	70	1				
201609-16	1609 Modification	A	D7772619	COVER:WIRE:PULLEY:1TYPE:SHORT	D7772784	COVER:WIRE:PULLEY	U011_S011	304	2	X/O		Refer to RTB No. RM205174a	
201609-17	1609 Modification	-	D7772620	SIDE PLATE:TRAY:REAR:PEEN	D7772632	SIDE PLATE:TRAY:REAR:PEEN	U011_S011	565	1	X/O			
201609-18	1609 Modification	-			D7772750	TRAY BOTTOM PLATE:ASS'Y	U011_S011_S004	573	1				
201609-19	1609 Modification	A			D7772745	ROLLER:TRAY BOTTOM PLATE:REAR RIGHT:SUB-ASS'Y	U011_S011_S004_S001	571	1			Refer to RTB No. RM205174a	
201609-20	1609 Modification	A			D7772746	ROLLER:TRAY BOTTOM PLATE:FRONT RIGHT:SUB-ASS'Y	U011_S011_S004_S002	572	1			Refer to RTB No. RM205174a	
201609-21	1609 Modification	A			D7772769	COLLAR:BASE	U011_S011_S004	574	1			Refer to RTB No. RM205174a	
					D7772769	COLLAR:BASE	U011_S011_S004	574	1				
201609-22	1609 Modification	A			D7777769	STUD:PAPER TRAY	U011_S011_S004	575	1			Refer to RTB No. RM205174a	
					D7777769	STUD:PAPER TRAY	U011_S011_S004	575	1				
201609-23	1609 Modification	-			D7772655	SHEET:HOOK:WIRE:FRONT	U011_S011	569	1			Refer to RTB No. RM205174a	
					D7772655	SHEET:HOOK:WIRE	U011_S011	569	1				

Design Change List

Number	Title	Set	Old Part		New Part		Index No.		Q'ty	Interchg		Reason	Cut-in S/N
			P/N	Name	P/N	Name	Group	ID		Indiv.	Set		
		-				RE:FRONT							
201609-24	1609 Modification	-			D7772657	SHEET:HOOK:WI RE:REAR	U011_S011	570	1			Refer to RTB No. RM205174a	
					D7772657	SHEET:HOOK:WI RE:REAR	U011_S011	570	1				
201609-25	1609 Modification	-			M2051704	JOINT:DEVELOP MENT SLEEVE:D RIVE	U005_S001	123	1				
					M2051704	JOINT:DEVELOP MENT SLEEVE:D RIVE	U005_S004	123	1				
					M2051704	JOINT:DEVELOP MENT SLEEVE:D RIVE	U005_S007	123	1				
					M2051704	JOINT:DEVELOP MENT SLEEVE:D RIVE	U005_S010	123	1				
201609-26	1609 Modification	-			D2583452	SEAL:PG1	U005_S001	118	1			Refer to RTB No. RM205173	
					D2583452	SEAL:PG1	U005_S004	118	1				
					D2583452	SEAL:PG1	U005_S007	118	1				
					D2583452	SEAL:PG1	U005_S010	118	1				
201609-27	1609 Modification	-	M2052127	LEVER:ON-OFF: DRIVEN:YELLOW :FRONT	M2052136	LEVER:ON-OFF: DRIVEN:YELLOW :FRONT	U006	218	1	O/O			
201609-28	1609 Modification	A			07403206	BALL BEARING - 6X19X6	U011_S011 _S004_S00 1	568	1			Refer to RTB No. RM205174a	
					07403206	BALL BEARING - 6X19X6	U011_S011 _S004_S00 2	568	1				

Design Change List

Number	Title	Set	Old Part		New Part		Index No.		Q'ty	Interchg		Reason	Cut-in S/N
			P/N	Name	P/N	Name	Group	ID		Indiv.	Set		
201609-29	1609 Modification	-	M2056334	ROLLER:DRIVEN :FIX:INTERMEDI ATE TRANSFER	M2052130	ROLLER:FIX:INT ERMEDIATE TRA NSFER:PRESS FI T	U006	154	1	X/O		Refer to RTB No. RM205163	
201609-30	1609 Modification	-	M2056400	HOOK:LEVER:O N-OFF:COLOR:R EAR	M2052132	HOOK:LEVER:O N-OFF:COLOR:R EAR	U006	169	1	X/O		Refer to RTB No. RM205163	
201608-01	1608 Modification	-	AZ240263	POWER SUPPLY UNIT:ECO:200V	AZ240305	POWER SUPPLY UNIT:ECO:200V	U013	59	1	X/O			
			AZ240263	POWER SUPPLY UNIT:ECO:200V	AZ240305	POWER SUPPLY UNIT:ECO:200V	U013	59	1	X/O			
201608-02	1608 Modification	-			G1781268	ANTISTATIC BRU SH:DRUM	U012_S001	37	1				
							U012_S002	37	1				
							U012_S003	37	1				
							U012_S004	37	1				
201607-01	1607 Modification	-	M2052480	PAPER TRAY:AS S'Y	M2052495	PAPER TRAY:AS S'Y	U011	448	1	O/O			
201606-01	1606 Modification	-	AZ240265	POWER SUPPLY UNIT:FW:200V	AZ240306	POWER SUPPLY UNIT:FW:200V	U013	60	1	X/O			
			AZ240265	POWER SUPPLY UNIT:FW:200V	AZ240306	POWER SUPPLY UNIT:FW:200V	U013	60	1	X/O			
201606-02	1606 Modification	-			M2051308	SHAFT:DRIVE:CL EANER:ASS'Y	U012_S001	36	1				
							U012_S002	36	1				
							U012_S003	36	1				
							U012_S004	36	1				
201606-03	1606 Modification	-			D7771172	FILTER:VACUUM	U011_S002	567	1				

Design Change List

Number	Title	Set	Old Part		New Part		Index No.		Q'ty	Interchg		Reason	Cut-in S/N
			P/N	Name	P/N	Name	Group	ID		Indiv.	Set		
		-				:EXHAUST							
201606-04	1606 Modification	-	AX660013	FAN:BLOWER:D C24V	AX660017	FAN:BLOWER:D C24V	U011_S003	144	1	X/O			
							U011_S004	144	1				
							U011_S011 _S001_S00 1	144	1				
							U011_S011 _S002_S00 1	144	1				
							U011_S011 _S006	144	1				
							U011_S011 _S007	144	1				
							U015	30	8				
201605-01	1605 Modification	-	D0746424	BLADE:CLEANIN G:BELT CLEANIN G:ASS'Y	D2586321	BLADE:BELT CL EANING:ASS'Y	U008_S001 _S002	22	1	O/O			
201605-02	1605 Modification	-	M2056342	LEVER:ON-OFF: DRIVEN:COLOR: FRONT			U006	157	1				
201605-04	1605 Modification	-			D7772742	MAGNETIC:SHE ET:END FENCE	U011_S011	566	1				
201605-05	1605 Modification	-			D7772620	SIDE PLATE:TRA Y:REAR:PEEN	U011_S011	565	1				
201604-01	1604 Modification	-	M1095805	COIL SPRING:GU IDE PIN	D7772744	COMPRESSION SPRING:END FE NCE:LOCK	U011_S011	434	1	O/O			
201604-02	1604 Modification	-	AZ250061	POWER SUPPLY UNIT:200V	AZ250063	POWER SUPPLY UNIT:200V	U013_S001	41	1	X/O			
201604-03	1604 Modification	-			M2051056	STUD:POSITIONI	U015	111	1				

Design Change List

Number	Title	Set	Old Part		New Part		Index No.		Q'ty	Interchg		Reason	Cut-in S/N
			P/N	Name	P/N	Name	Group	ID		Indiv.	Set		
		-				NG:INTERMEDIATE TRANSFER:PEEN							
201603-01	1603 Modification	-	D7772696	PLATE:PAPER:GUIDE:SIDE FENCE	D7772659	PLATE:PAPER:GUIDE:SIDE FENCE	U011_S011	321	2	O/O			
201603-02	1603 Modification	-	D1245298	HDD:WD:320GB:WD3200BUCT	D2235308	HDD:320GB:MN500S-2:WD3200LUCT	U015	39	1	O/O			
201603-03	1603 Modification	-			D1365978	BRACKET:HDD	U015	110	1				
201603-06	1603 Modification	-			M2051353	HOLDER:ENCODER:ASS'Y	U006	217	1				
201603-07	1603 Modification	-			D1792771	ARM:REGISTRATION:TIMING:ASS'Y	U011_S013	564	1				
201603-08	1603 Modification	-	D1792792	SHAFT:ARM:REGISTRATION:TIMING			U011_S013_S001	223	1				
201603-09	1603 Modification	-	D1792793	ARM:TIMING ROLLER:FRONT			U011_S013_S001	224	1				
201603-10	1603 Modification	-	D1792795	ARM:TIMING ROLLER:INNER BACK			U011_S013_S001	225	1				
201603-11	1603 Modification	-	D1796051	ROLLER:INTERMEDIATE TRANSFER:ASS'Y	M2056684	(BLACK):ROLLER:INTERMEDIATE TRANSFER:ASS'Y	U006	100	1	X/O			
201602-01	1602 Modification	-	M2053938	BRUSH:APPLY:BELT CLEANING	M2056549	BRUSH:APPLY:BELT CLEANING:ASS'Y	U008_S001_S002	46	1	O/O			

Design Change List

Number	Title	Set	Old Part		New Part		Index No.		Q'ty	Interchg		Reason	Cut-in S/N
			P/N	Name	P/N	Name	Group	ID		Indiv.	Set		
201601-01	1601 Modification	A	D1792772	SHAFT:ARM:REGISTRATION:TIMING			U011_S013_S001	223	1	X/X			
201601-02	1601 Modification	A	D1792773	ARM:TIMING ROLLER:FRONT			U011_S013_S001	224	1	X/X			
201601-03	1601 Modification	A	D1792775	ARM:TIMING ROLLER:INNER BACK			U011_S013_S001	225	1	X/X			
201601-04	1601 Modification	A	M2056518	SHAFT:ROLLER:BELT TENSIONER:TRANSFER/SEPARATION	M2056697	SHAFT:ROLLER:BELT TENSIONER:TRANSFER/SEPARATION	U008_S001_S001	52	1	X/O			
201601-05	1601 Modification	-			M2055195	(AA(68)):DECAL:POWER SOURCE:OFF:CN	U017	8	1				
201512-01	1512 Modification	-			D1942945	HOLDER:CAM:SHIFT	U011_S013	563	1	O/O			
201512-02	1512 Modification	A	M2051621	SUPPORTING PLATE:RIGHT FRONT:DOOR	M2051739	SUPPORTING PLATE:RIGHT FRONT:DOOR:PEEN	U001_S001	40	1	X/O			
201512-03	1512 Modification	A	M2051624	HINGE:DOOR:RIGHT FRONT	M2051789	HINGE:DOOR:RIGHT FRONT	U001_S001	41	1	X/O			
201512-04	1512 Modification	A	M2051628	SUPPORTING PLATE:LEFT FRONT:DOOR	M2051742	SUPPORTING PLATE:LEFT FRONT:DOOR:PEEN	U001_S002	45	1	X/O			
201512-05	1512 Modification	A	M2051631	HINGE:DOOR:LEFT FRONT	M2051790	HINGE:DOOR:LEFT FRONT	U001_S002	46	1	X/O			
201512-06	1512 Modification	A	M2051703	DOOR:LEFT FRONT:ASS'Y	M2051583	DOOR:LEFT FRONT:ASS'Y	U001	75	1	X/O			
201512-07	1512 Modification	-			M2637396	(AA):DECAL:KEY:	U017	7	1				

Design Change List

Number	Title	Set	Old Part		New Part		Index No.		Q'ty	Interchg		Reason	Cut-in S/N
			P/N	Name	P/N	Name	Group	ID		Indiv.	Set		
		-				MULTI-LANGUAG E:OPERATION S UB-UNIT							
201512-08	1512 Modification	-			M2056698	SLIDER:PRESSU RE:BELT TENSIO NER	U008_S001	68	1				
					M2056698	SLIDER:PRESSU RE:BELT TENSIO NER	U008_S001	68	1				
201509-01	1509 Modification	-			M2056150	CABLE:DFE_DTU _CABLE	U017	5	1				
					M2056150	CABLE:DFE_DTU _CABLE	U017	5	1				
201509-02	1509 Modification	-	D7771196	SHAFT:PAPER F EED:DRIVE:ASS' Y	D7771197	SHAFT:PAPER F EED:DRIVE:ASS' Y	U011_S001	278	1	X/O			
			D7771196	SHAFT:PAPER F EED:DRIVE:ASS' Y	D7771197	SHAFT:PAPER F EED:DRIVE:ASS' Y	U011_S001	278	1	X/O			
201509-03	1509 Modification	-	M2055343	PCB:TDRB	M2055349	PCB:TDRB	U006	143	1	X/O			
201508-01	1508 Modification	-	M2052244	CORONA WIRE: CHARGE CORO NA	D1792224	CORONA WIRE: CHARGE CORO NA	U002_S001	44	3	X/O			
							U002_S002	44	3				
							U002_S003	44	3				
							U002_S004	44	3				
201507-01	1507 Modification	-	D7771155	DRIVE UNIT:PAP ER FEED:ASS'Y	D7771168	DRIVE UNIT:PAP ER FEED:ASS'Y	U011_S001	267	1	X/O			
201507-02	1507 Modification	-	D7772553	PICKUP BELT:VA CUUM	D7772554	PICKUP BELT:VA CUUM:INSPECTI ON	U011_S010	301	3	X/O			
201507-03	1507 Modification	A	M2057230	LINK:REGISTRAT	M2056687	LINK:REGISTRAT	U011_S013	489	1	X/O			

Design Change List

Number	Title	Set	Old Part		New Part		Index No.		Q'ty	Interchg		Reason	Cut-in S/N
			P/N	Name	P/N	Name	Group	ID		Indiv.	Set		
				ION:PULL OUT:MIDDLE		ION:PULL OUT:MIDDLE							
201507-04	1507 Modification	A	M2057366	SHAFT:LOCK:REGISTRATION:MIDDLE	M2056692	SHAFT:LOCK:REGISTRATION:MIDDLE	U011_S013	508	1	X/O			
201507-05	1507 Modification	-			M2053652	BLADE:APPLY:ASS'Y	U005_S003	114	1				
					M2053652	BLADE:APPLY:ASS'Y	U005_S006	114	1				
					M2053652	BLADE:APPLY:ASS'Y	U005_S009	114	1				
					M2053652	BLADE:APPLY:ASS'Y	U005_S012	114	1				
201507-06	1507 Modification	-	M2056130	PCB:DTU	M2056131	PCB:DTU				X/O			
201507-07	1507 Modification	-			M1092305	SPONGE:SIDE:LOWER	U011_S013_S004	561	1				
					M1092305	SPONGE:SIDE:LOWER	U011_S013_S004	561	1				
					M1092305	SPONGE:SIDE:LOWER	U011_S013_S004	561	1				
					M1092305	SPONGE:SIDE:LOWER	U011_S013_S004	561	1				
201507-08	1507 Modification	-			M2053627	DECAL:CLEANING UNIT:DESIGN SKETCH	U005_S003_S002_S001	113	1				
					M2053627	DECAL:CLEANING UNIT:DESIGN SKETCH	U005_S006_S002_S001	113	1				
					M2053627	DECAL:CLEANING UNIT:DESIGN SKETCH	U005_S009_S002_S001	113	1				

Design Change List

Number	Title	Set	Old Part		New Part		Index No.		Q'ty	Interchg		Reason	Cut-in S/N
			P/N	Name	P/N	Name	Group	ID		Indiv.	Set		
		-				SKETCH	1						
					M2053627	DECAL:CLEANIN G UNIT:DESIGN SKETCH	U005_S012 _S002_S00 1	113	1				
201507-09	1507 Modification	-	AZ240265	POWER SUPPLY UNIT:FW:200V			U015	32	1				
			AZ240265	POWER SUPPLY UNIT:FW:200V			U015	32	1				
201507-10	1507 Modification	-	AZ240263	POWER SUPPLY UNIT:ECO:200V			U015	31	1				
			AZ240263	POWER SUPPLY UNIT:ECO:200V			U015	31	1				
201507-11	1507 Modification	-			AZ240265	POWER SUPPLY UNIT:FW:200V	U013	60	1				
					AZ240265	POWER SUPPLY UNIT:FW:200V	U013	60	1				
201507-12	1507 Modification	-			AZ240263	POWER SUPPLY UNIT:ECO:200V	U013	59	1				
					AZ240263	POWER SUPPLY UNIT:ECO:200V	U013	59	1				
201506-01	1506 Modification	-			M2050622	BELT UNIT:TRAN SFER/SEPARATI ON SECTION:AS S'Y							
201506-02	1506 Modification	-	G1783330	GEAR:IDLER:DE VELOPMENT RO LLER:ASS'Y	M2053089	GEAR:IDLER:DE VELOPMENT RO LLER:ASS'Y	U005_S001	66	1	X/O			
			G1783330	GEAR:IDLER:DE VELOPMENT RO LLER:ASS'Y	M2053089	GEAR:IDLER:DE VELOPMENT RO LLER:ASS'Y	U005_S004	66	1	X/O			

Design Change List

Number	Title	Set	Old Part		New Part		Index No.		Q'ty	Interchg		Reason	Cut-in S/N
			P/N	Name	P/N	Name	Group	ID		Indiv.	Set		
		-	G1783330	GEAR:IDLER:DEVELOPMENT ROLLER:ASS'Y	M2053089	GEAR:IDLER:DEVELOPMENT ROLLER:ASS'Y	U005_S007	66	1	X/O			
		-	G1783330	GEAR:IDLER:DEVELOPMENT ROLLER:ASS'Y	M2053089	GEAR:IDLER:DEVELOPMENT ROLLER:ASS'Y	U005_S010	66	1	X/O			
201506-03	1506 Modification	-	M2057235	LINK:LEVER:PULL OUT	M2056688	LINK:LEVER:PULL OUT	U011_S013	490	1	X/O			
		-	M2057235	LINK:LEVER:PULL OUT	M2056688	LINK:LEVER:PULL OUT	U011_S013	490	1	X/O			
201506-04	1506 Modification	-	D7772782	PAWL:TRAY BOTTOM PLATE:AUXILIARY:LARGE			U011	341	1				
		-	D7772782	PAWL:TRAY BOTTOM PLATE:AUXILIARY:LARGE			U011	341	1				
201506-05	1506 Modification	-	M2052311	PCU:ASS'Y	M2052316	(for BK):PCU:ASS'Y	U005	112	1	X/O			
201506-06	1506 Modification	-	M2052311	PCU:ASS'Y	M2052317	(for C and M):PCU:ASS'Y	U005	112	1	X/O			
		-	M2052311	PCU:ASS'Y	M2052317	(for C and M):PCU:ASS'Y	U005	112	1	X/O			
201506-07	1506 Modification	-	M2052311	PCU:ASS'Y	M2052318	(for Y):PCU:ASS'Y	U005	112	1	X/O			
201505-01	1505 Modification	-			M2055100	(C9100):SD-CARD:NICE:ANDROMEDA:ASS'Y	U013	58	1				
201505-02	1505 Modification	-	D7772505	COVER:FRONT	D7772527	COVER:FRONT	U011_S010	294	1	X/O			
201503-01	1503 Modification	-	M2056129	PCB:DTU	M2056130	PCB:DTU	U015	87	1	X/O			
201503-02	1503 Modification	-			M2053621	COVER:COATIN	U005_S003	111	1	X/O			

Design Change List

Number	Title	Set	Old Part		New Part		Index No.		Q'ty	Interchg		Reason	Cut-in S/N
			P/N	Name	P/N	Name	Group	ID		Indiv.	Set		
		-				G BAR:ASS'Y	_S002						
							U005_S006	111	1				
							_S002						
							U005_S009	111	1				
							_S002						
							U005_S012	111	1				
							_S002						
201503-03	1503 Modification	-	M2053681	HOLDER:COVER :COATING BAR:A SS'Y			U005_S003	104	1				
			M2053681	HOLDER:COVER :COATING BAR:A SS'Y			_S002						
			M2053681	HOLDER:COVER :COATING BAR:A SS'Y			U005_S006	104	1				
			M2053681	HOLDER:COVER :COATING BAR:A SS'Y			_S002						
			M2053681	HOLDER:COVER :COATING BAR:A SS'Y			U005_S006	104	1				
			M2053681	HOLDER:COVER :COATING BAR:A SS'Y			_S002						
			M2053681	HOLDER:COVER :COATING BAR:A SS'Y			U005_S009	104	1				
			M2053681	HOLDER:COVER :COATING BAR:A SS'Y			_S002						
			M2053681	HOLDER:COVER :COATING BAR:A SS'Y			U005_S009	104	1				
			M2053681	HOLDER:COVER :COATING BAR:A SS'Y			_S002						
			M2053681	HOLDER:COVER :COATING BAR:A SS'Y			U005_S012	104	1				
			M2053681	HOLDER:COVER :COATING BAR:A SS'Y			_S002						
			M2053681	HOLDER:COVER :COATING BAR:A SS'Y			U005_S012	104	1				
			M2053681	HOLDER:COVER :COATING BAR:A SS'Y			_S002						

Design Change List

Number	Title	Set	Old Part		New Part		Index No.		Q'ty	Interchg		Reason	Cut-in S/N
			P/N	Name	P/N	Name	Group	ID		Indiv.	Set		
		-		SS'Y									
201504-01	1504 Modification	-	03604006N	SCREW - M4X6	03540040N	SCREW-M4X4	U006	212	1	X/O			
201504-02	1504 Modification	-	M2052310	PCU:ASS'Y	M2052311	PCU:ASS'Y	U005	72	1	O/O			
			M2052310	PCU:ASS'Y	M2052311	PCU:ASS'Y	U005	72	1	O/O			
			M2052310	PCU:ASS'Y	M2052311	PCU:ASS'Y	U005	72	1	O/O			
			M2052310	PCU:ASS'Y	M2052311	PCU:ASS'Y	U005	72	1	O/O			
201504-03	1504 Modification	-	M2051568	DOOR:LEFT FRO NT:ASS'Y	M2051703	DOOR:LEFT FRO NT:ASS'Y	U001	30	1	X/O			
201504-04	1504 Modification	-	D1793653	BLADE:APPLY:A SS'Y			U005_S003	60	1				
			D1793653	BLADE:APPLY:A SS'Y			U005_S006	60	1				
			D1793653	BLADE:APPLY:A SS'Y			U005_S009	60	1				
			D1793653	BLADE:APPLY:A SS'Y			U005_S012	60	1				
201510-01	1510 Modification	-	M2056681	FLAT BELT-TRA NSFER:ASS'Y	M2056695	FLAT BELT-TRA NSFER:ASS'Y	U006	211	1	O/O			
201510-02	1510 Modification	-	M2053936	BRUSH ROLLER: FLAT BELT-TRA NSFER	M2056550	BRUSH ROLLER: FLAT BELT-TRA NSFER:ASS'Y	U008_S001 _S002	45	1	O/O			
201510-03	1510 Modification	-			M4675041	SD-CARD:MFP-B ROWSER:ASS'Y	Special Too ls	20	1				
201510-04	1510 Modification	-	D7772516	SHAFT:DRIVE:FL AT BELT-PICKUP :ASS'Y	D7772520	SHAFT:DRIVE:FL AT BELT-PICKUP :ASS'Y	U011_S010 _S001	296	1	X/O			
201510-05	1510 Modification	A			M2051590	PLATE:LOWER:P OSITIONING SEN SOR:PROCESSI NG FIGURE	U006_S003	213	1				

Design Change List

Number	Title	Set	Old Part		New Part		Index No.		Q'ty	Interchg		Reason	Cut-in S/N
			P/N	Name	P/N	Name	Group	ID		Indiv.	Set		
201510-06	1510 Modification	-	M2056131	PCB:DTU	M2056132	PCB:DTU	U015	109	1	X/O			
201510-07	1510 Modification	A			M2051595	CLEANER:FLAT BELT-TRANSFER:RIGHT LOWER:ASS'Y	U006_S005	214	1				
201510-08	1510 Modification	-			M2051596	BRUSH:CLEANING	U006_S005	215	1				
201510-09	1510 Modification	A			M2051599	BASE:ROLLER:PLATE:FLAT BELT-TRANSFER:LOWER	U006	216	1				
201510-10	1510 Modification	A	M2051440	PLATE:UPPER:POSITIONING SENSOR:INTERMEDIATE TRANSFER:HING	M2051589	PLATE:UPPER:POSITIONING SENSOR:INTERMEDIATE TRANSFER:HING	U006	133	1	X/O			
201510-11	1510 Modification	A	M2051734	PLATE:LOWER:POSITIONING SENSOR:INTERMEDIATE TRANSFER:FIBER			U006	139	1	X/O			
201510-12	1510 Modification	-	M2055891	HARNESS:IMAGING:AC:ASS'Y	M2055895	HARNESS:IMAGING:AC:ASS'Y	C1,D3(1/8)		1	X/O			
201511-01	1511 Modification	-			06230160E	SPRING PIN:3X16	U011_S010	562	2				
							U011_S011_S005	562	1				
201511-02	1511 Modification	-	M2050622	BELT UNIT:TRANSFER/SEPARATION SECTION:AS	M2050637	BELT UNIT:TRANSFER/SEPARATION SECTION:AS	U008	67	1	O/O			

Design Change List

Number	Title	Set	Old Part		New Part		Index No.		Q'ty	Interchg		Reason	Cut-in S/N
			P/N	Name	P/N	Name	Group	ID		Indiv.	Set		
		-		S'Y		S'Y							
201511-03	1511 Modification	-	M2050623	BELT UNIT:TRANSFER/SEPARATION:ASS'Y	M2050638	BELT UNIT:TRANSFER/SEPARATION:ASS'Y	U008_S001	40	1	O/O			
201511-04	1511 Modification	-	M2056509	TRANSFER ROLLER:NO.2	M2056500	TRANSFER ROLLER:NO.2:ASS'Y	U008_S001_S001	50	1	X/O			
201511-05	1511 Modification	-	M2051503	POSITIONING SENSOR:SCALE:INTERMEDIATE TRANSFER:ASS'Y	M2051507	POSITIONING SENSOR:SCALE:INTERMEDIATE TRANSFER:ASS'Y	U006	135	1	X/O			
201511-06	1511 Modification	-			D0747883	(AA(68)):DECAL:CAUTION CHART:INKJET:PAPER	U017	6	1				
201511-07	1511 Modification	A	D7772787	PAWL:TRAY BOTTOM PLATE:AUXILIARY:1	D7772758	PAWL:TRAY BOTTOM PLATE:AUXILIARY	U011_S011_S004		2	X/O			
201511-08	1511 Modification	A	D7772789	PAWL:TRAY BOTTOM PLATE:AUXILIARY:2	D7772758	PAWL:TRAY BOTTOM PLATE:AUXILIARY	U011_S011_S004		2	X/O			
201511-09	1511 Modification	A	D7772788	TRAY BOTTOM PLATE:AUXILIARY:SMALL	D7772753	TRAY BOTTOM PLATE:AUXILIARY:SMALL	U011_S011_S004	343	2	X/O			

