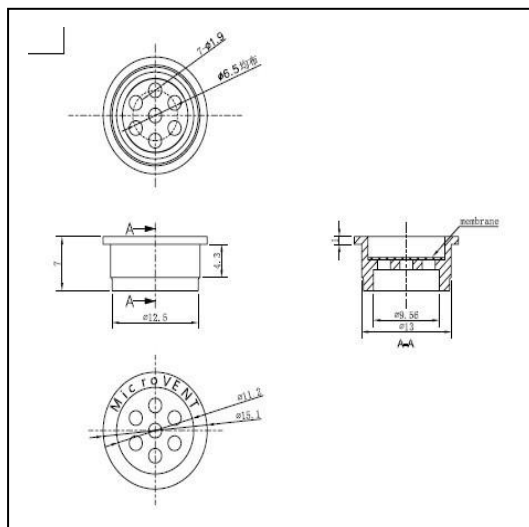


Characters of Membrane

- P/N: MV-1ETF-10
- Hydrophobic & Oleophobic
- White, Black
- ePTFE/non-woven
- Thickness: 0.2mm
- Water Entry Pressure:>0.5bar
- Typical Airflow : 1.1-2.6L/H at 12 mbar
- IP68
- Salt Spray Test: ok
- Temperature Range: -40°C~80°C

Instalation Drawing



Image



| Item Code | Color of Membrane | Typical Airflow | Water Entry Pressure |
|-----------|-------------------|-----------------|----------------------|
| MV-15W | White | >2.6L/H@12mbar | >0.5bar |
| MV-15B | Black | >1.1/H@12mbar | >0.5bar |
| MV-15N | White | >2.0/H@12mbar | >0.5bar |

Pan Asian Microvent Tech(Changzhou) Co.,Ltd.

Tel : +86 13775287836

Email : henrychangzhou@hotmail.com

Website : <http://www.china-venting.com>



Molded Component Range **MV-15** Vent,Hydrophobic,Ready-to-use

MV-15 Molded Components for containers from 2–30 L

How Do Microvent® Packaging Vents Work?

Microvent® Packaging Vents offer the ideal combination of liquid resistance and airflow through the use of expanded polytetrafluoroethylene (ePTFE). The material's microporous nature allows airflow and equalizes pressure, even after contact with high viscosity or low surface tension liquids.

Description

The MV-15 consists of a white polyethylene plastic housing and a 100 % ePTFE membrane that can be engineered with a variety of different properties to meet the needs of the specific application. MV-15 Molded Components fit the same standard Microvent installation specification as the MV-17.

Typical Applications

Venting of containers with:

- Bleach
- Peracetic acid and peroxide based formulations as well as liquids containing organic solvents and surfactants
- Fertilizers

Realize the Benefits

- **Equalize pressure** and prevent containers from bursting, collapsing or leaking
- **Prevent liquid penetration** to avoid contamination and maintain product quality
- **Continue to vent** even after exposure to liquids containing organics, surfactants, oils and solvent based liquids
- **Oleophobic, hydrophobic, chemically inert** ePTFE Microvent™ Membrane is ideal for a variety of applications

Contact information :

E-mail link : henrychangzhou@hotmail.com

Skype : henrychangzhou

Tel : +86 13775287836

Website : www.china-venting.com

Pan Asian Microvent Tech(Changzhou) Co.,Ltd.

Tel : +86 13775287836

Email : henrychangzhou@hotmail.com

Website : <http://www.china-venting.com>