



Vent Membrane Range

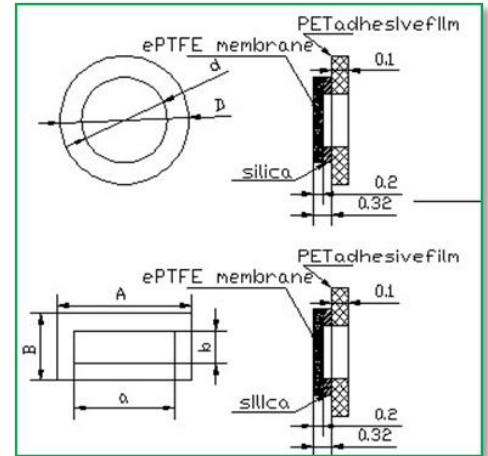
**MV-7**

Vent, Hydrophobic, Oleophobic

## Membrane Specification

- **Membrane P/N:** MV-2FB-20
- **Adhesive Tape Type:** Silicon or Acrylic glue
- **Oil Rating:** #6 (AATCC118)
- **Black ePTFE membrane**, no support material
- **Thickness** :0.2 mm;
- **Water pressure** > 0.6 bar/60s;
- **Airflow** > 290 ml/min/cm<sup>2</sup>, at 70 mbar;
- **Salt spray test:** IEC68-2-11 and IEC68-2-52
- **Protection grade** : IP68, IP69
- **Temperature range:** -40°C~150°C

## Drawing



## Installation

Surface of housing must be clean and free of oils. Please contact Microvent® sales for housing recommendations and complete installation instructions.

## Product Items

P/N	Inner & outer Diameter	Typical Airflow (L/h , at 70mbar)	Backing Width (mm)
MV-70205	Φ2.0Xφ5.0	≥1.5	102
MV-70308	Φ3.3Xφ7.6	≥2.5	102
MV-70510	Φ5.5Xφ10.2	≥8.5	102
MV-70712	Φ7.1Xφ12.7	≥14	102
MV-70814	Φ8Xφ14	≥18	102
MV-70919	Φ8.9Xφ19.1	≥20	102
MV-71221	Φ12.5Xφ21.5	≥45	102
MV-72029	Φ20Xφ29	≥95	102
MV-72030	20X30(10X20)	≥70	102
MV-72040	20X40(10X30)	≥105	102
MV-72051	20X51(10X41)	≥140	102

Note: **Microvent®** reserves the ultimate interpretation of all parameters.

### Pan Asian Microvent Tech (Jiangsu) Corporation

Add: No.28-8 Liban Road Lijia Wujin Distric Changzhou China

Tel: +86 13775287836

Emai: henrychangzhou@hotmail.com

Post code: 213165

Fax: 0519-85310816

Website: <http://chinaventing.en.alibaba.com/>



Vent Membrane Range

**MV-7**

**Vent,Hydrophobic,Oleophobic**

---

### Superior Pressure Equalization for Improved Product Performance

#### **Hydrophobic and oleophobic ePTFE membrane**

Sheds liquid and returns to venting quickly following water spray or submersion  
Resists blocking after contact with common automotive fluids

#### **Dirt and dust filtration down to 0.07 µm**

Protects against contamination from dirt, dust, salt and road debris

#### **Air permeable membrane that equalizes pressure**

Increases component reliability by reducing stress on housing seals

#### **Thermally stable and chemically resistant system**

Provides durability and reliable venting in automotive lighting and under-hood environments

#### **Aggressive and durable pressure sensitive adhesive**

Easy to install  
Proven reliable for interior and exterior applications

#### **Position independent, one-vent-per-housing design**

Reduces design and production costs and improves performance consistency

---

### Contact information :

**Sales Manager :** Henry Chu

**E-mail :** [henrychangzhou@hotmail.com](mailto:henrychangzhou@hotmail.com)  
henry@microvent.com.cn

**Skype :** henrychangzhou

**Tel :** +86 13775287836

**Website :** <http://chinaventing.en.alibaba.com/>

---

---

### **Pan Asian Microvent Tech (Jiangsu) Corporation**

Add.: No.28-8 Liban Road Lijia Wujin Distric Changzhou China

Post code: 213165

Tel: +86 13775287836

Fax: 0519-85310816

Emai: [henrychangzhou@hotmail.com](mailto:henrychangzhou@hotmail.com)

Website: <http://chinaventing.en.alibaba.com/>