



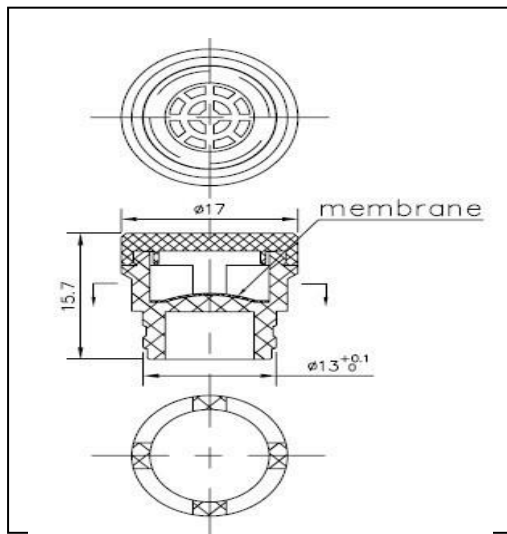
Molded Component Range **MV-17**

Vent,Hydrophobic,Ready-to-use

Membrane Specifications

- P/N: MV-2PNF-12
- Hydrophobic
- White
- ePTFE/PP net
- Thickness: 0.2mm
- Water-entry-pressure:>0.5bar
- Air flow :3L/Hat 12 mbar
- IP68
- Salt spray test: ok
- Heat resistance: -40°C~80°C

Installation drawing



Images



P/N	Membrane color	Typical Air flow	Water entry pressure
MV-17W	white	1.3-3.6L/H@12mbar	>0.5bar
MV-17B	black	1.3-3.6L/H@12mbar	>0.5bar
MV-17N	white	3L/H@12mbar	>0.5bar
MV-17EP	white	>5L/H@12mbar	>0.5bar

Pan Asian Microvent Tech(Changzhou) Co.,Ltd.

Address : No. 28-8 Liban Road Lijia Town,Wujin District Changzhou, Jiangsu , China

Tel : +86 13775287836

Email : henrychangzhou@hotmail.com



Molded Component Range **MV-17** Vent,Hydrophobic,Ready-to-use

MV-17 Molded Components for containers from 3 – 60 L

How Do Microvent® Packaging Vents Work?

Microvent® Packaging Vents offer the ideal combination of liquid resistance and airflow through the use of expanded polytetrafluoroethylene (ePTFE). The material's microporous nature allows airflow and equalizes pressure, even after contact with high viscosity or low surface tension liquids.

Description

The MV-17 consists of a white polyethylene plastic housing with protective cap for splash protection and a 100 % ePTFE membrane that can be engineered with a variety of different properties to meet the needs of the specific application. MV-17 Molded Components fit the same standard Microvent installation specification as the MV-15.

Typical Applications

Venting of containers with:

- Bleach
- Peracetic acid and peroxide based formulations as well as liquids containing organic solvents and surfactants
- Organic Fertilizers

Realize the Benefits

- **Equalize pressure** and prevent containers from bursting, collapsing or leaking
- **Prevent liquid penetration** to avoid contamination and maintain product quality
- **Continue to vent** even after exposure to liquids containing organics, surfactants, oils and solvent based liquids
- **Oleophobic, hydrophobic, chemically inert** ePTFE Microvent™ Membrane is ideal for a variety of applications

Contact information :

E-mail link : henrychangzhou@hotmail.com

Skype : henrychangzhou

Tel : +86 13775287836

Website : www.china-venting.com

Pan Asian Microvent Tech(Changzhou) Co.,Ltd.

Address : No. 28-8 Liban Road Lijia Town,Wujin District Changzhou, Jiangsu , China

Tel : +86 13775287836

Email : henrychangzhou@hotmail.com