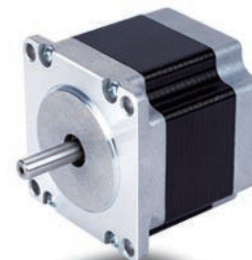




Hybrid Stepper Motor

23HM (57mm) Series, 0.9 deg/step

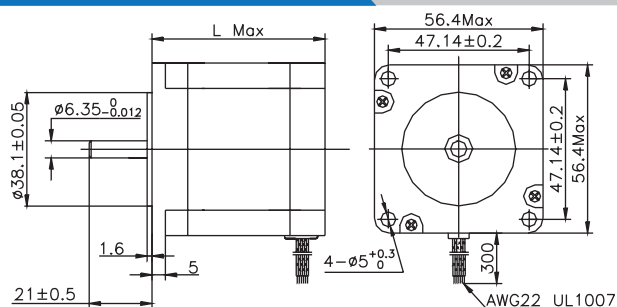


Electrical Specification

Model	Step Angle (°)	Motor Length (mm)	Rated Current(A)	Phase Resistance(Ω)	Phase Inductance(mH)	Holding Torque (N.cmMin)	Detent Torque (N.cmMax)	Rotor Inertia (g.cm²)	Lead Wire (No.)	Motor Weight(g)
23HM0405	0.9	41	0.62	12	28	0.32	2.5	150	4	470
23HM0408	0.9	41	2.0	1.2	3.0	0.32	2.5	150	4	470
23HM4425	0.9	45	2.5	1.0	3.0	0.62	2.8	190	4	520
23HM5406	0.9	51	0.62	13	34	0.7	3.0	230	4	590
23HM5425	0.9	51	2.5	1.2	3.8	0.7	3.0	230	4	590
23HM6403	0.9	56	2.5	1.3	5.2	1.0	3.5	280	4	680
23HM6430	0.9	56	3.0	0.8	2.8	1.0	3.5	280	4	680
23HM6404	0.9	56	4.2	0.4	1.5	1.0	3.5	280	4	680
23HM7401	0.9	64	1.0	7.5	28	1.1	5.0	380	4	850
23HM7425	0.9	64	2.5	1.5	5.8	1.1	5.0	380	4	850
23HM7430	0.9	64	3.0	0.8	3.0	1.1	5.0	380	4	850
23HM7404	0.9	64	4.2	0.55	1.5	1.14	5.0	380	4	850
23HM8603	0.9	76	1.5	4.5	10	1.25	6.0	440	6	1050
23HM8425	0.9	76	2.5	1.8	8.2	1.2	6.0	440	4	1050
23HM8430	0.9	76	3.0	1.0	4.3	1.5	6.0	440	4	1050
23HM8404	0.9	76	4.2	0.65	2.2	1.5	6.0	440	4	1050

* Note: It's only typical technical data, special requirement can be customized.

Mechanical Dimensions



Description:

Model	Motor Length
23HM0xxx	41mm
23HM4xxx	45mm
23HM5xxx	51mm
23HM6xxx	56mm
23HM7xxx	64mm
23HM8xxx	76mm

Wiring Diagram

