



Hybrid Stepper Motor

14HM (35mm) Series, 0.9 deg/step

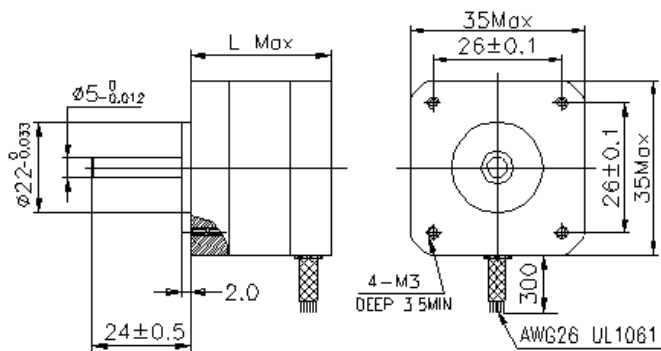


Electrical Specification

Model	Step Angle (°)	Motor Length (mm)	Rated Current(A)	Phase Resistance(Ω)	Phase Inductance(mH)	Holding Torque (N.cmMin)	Detent Torque (N.cmMax)	Rotor Inertia (g.cm ²)	Lead Wire (No.)	Motor Weight(g)
14HM2401	0.9	28	0.8	4.5	4.2	9	0.3	12	4	130
14HM2402	0.9	28	0.55	10	9.5	9	0.3	12	4	130
14HM2403	0.9	28	0.36	22	20	9	0.3	12	4	130
14HM2630	0.9	28	0.4	30	12	8	0.3	12	6	130
14HM3401	0.9	34	0.8	6	10	14	0.6	18	4	190
14HM3402	0.9	34	0.55	12	19	14	0.6	18	4	190
14HM3403	0.9	34	0.36	28	42	14	0.6	18	4	190
14HM3630	0.9	34	0.4	30	18	10	0.6	18	6	190

* Note: It's only typical technical data, special requirement can be customized.

Mechanical Dimensions



Description:

Model	Motor Length
14HM2xxx	28mm
14HM3xxx	34mm

Wiring Diagram

