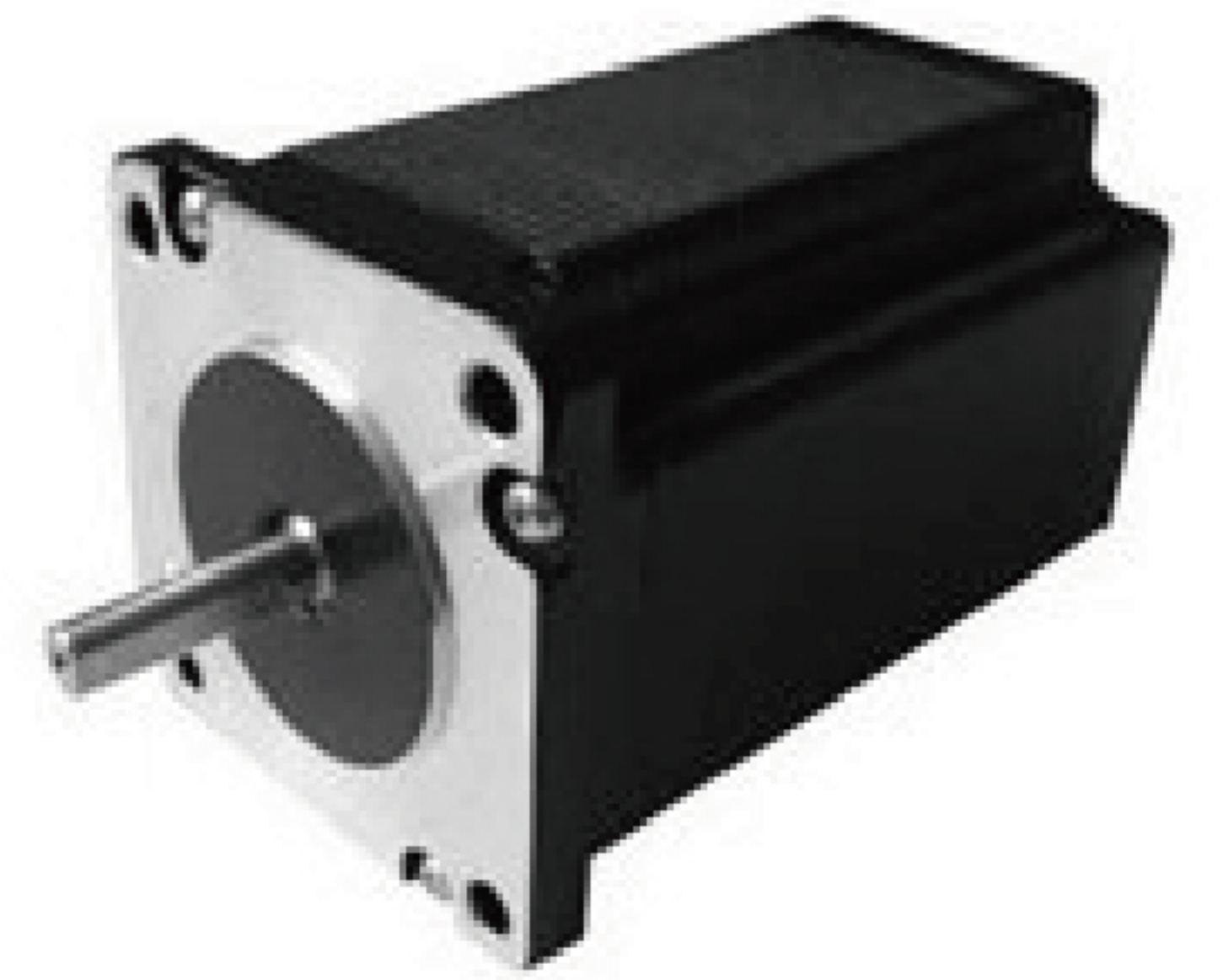




Hybrid Stepper Motor

24HT (60mm) Series, 1.2 deg/step

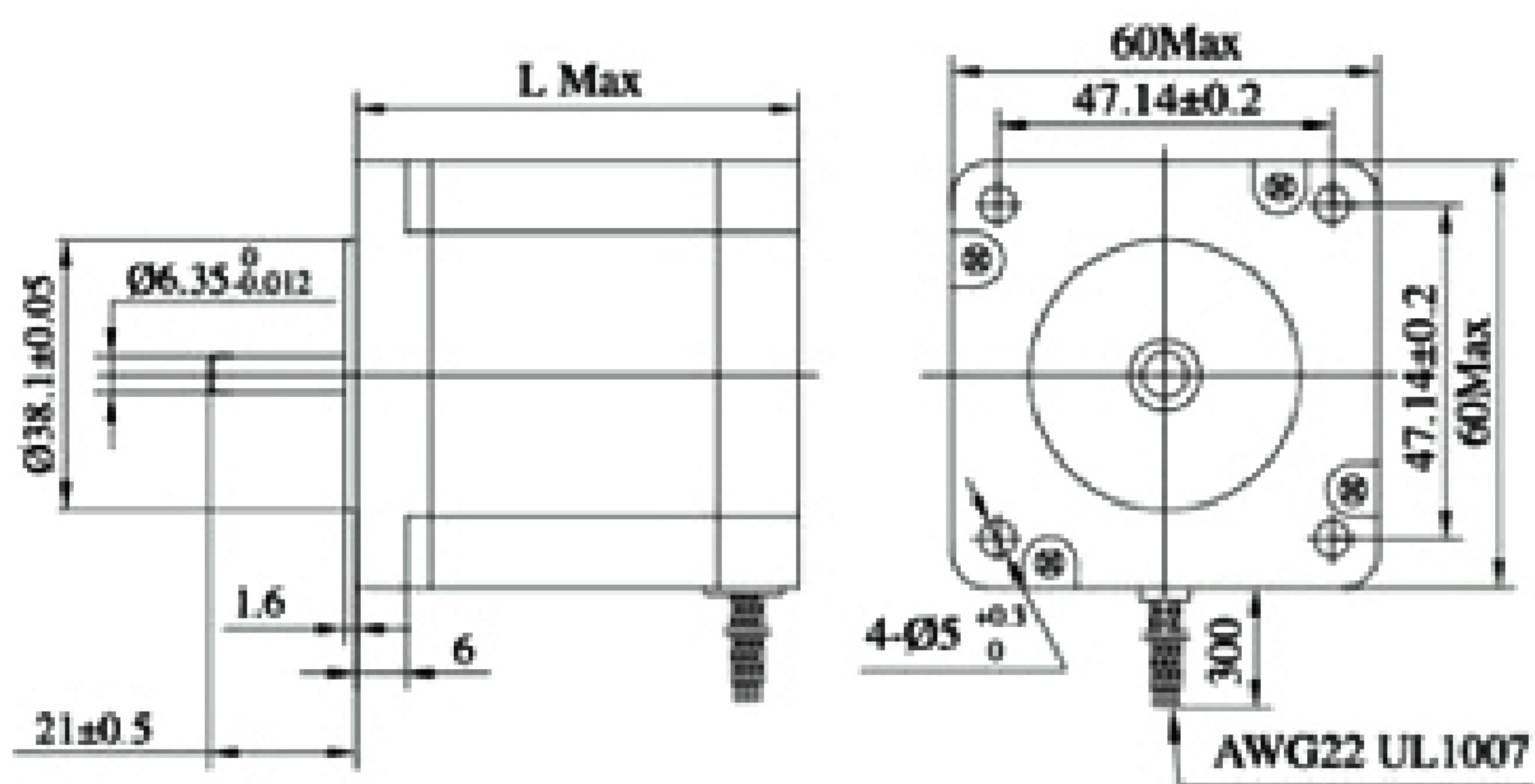


Electrical Specification

Model	Step Angle (°)	Motor Length (mm)	Rated Current(A)	Phase Resistance(Ω)	Phase Inductance(mH)	Holding Torque (N.cmMin)	Detent Torque (N.cmMax)	Rotor Inertia (g.cm ²)	Lead Wire (No.)	Motor Weight(g)
24HT6335	1.2	54	3.5	0.8	1.8	80	3.5	280	3	580
24HT6346	1.2	54	4.6	0.5	0.8	80	3.5	280	3	580
24HT7335	1.2	64	3.5	1.0	2.5	110	5.0	380	3	850
24HT7346	1.2	64	4.6	0.7	1.2	110	5.0	380	3	850
24HT8335	1.2	76	3.5	1.2	3.2	130	6.5	440	3	1150
24HT8346	1.2	76	4.6	0.8	1.5	130	6.5	440	3	1150
24HT1335	1.2	90	3.5	1.5	4.5	160	8	580	3	1400
24HT1346	1.2	90	4.6	1.0	2.5	160	8	580	3	1400

* Note: It's only typical technical data, special requirement can be customized.

Mechanical Dimensions



Description:

Model	Motor Length
24HT6xxx	54mm
24HT7xxx	64mm
24HT8xxx	76mm
24HT1xxx	90mm

Wiring Diagram

