



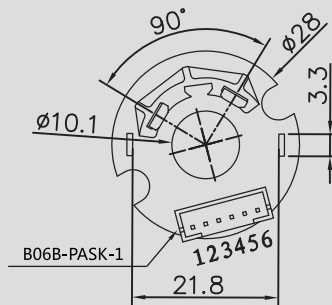
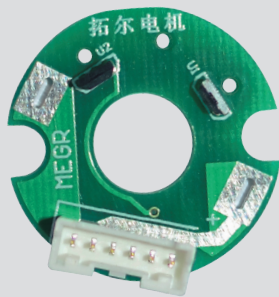
# Encoder

## (Encoders) ME-GR 双通道磁性译码器 Two Channel Hall Effect Encoder

- ★使用相对湿度:20%~85% RH  
Operating relative humidity
- ★使用温度范围:-40°C~+85°C  
Operating temperature range



### 外形尺寸图/Appearance size



Two Channel Encoder  
Connections:

- 1.MOTOR +
- 2.MOTOR -
- 3.HALL SENSOR Vcc
- 4.HALL SENSOR GND
- 5.HALL SENSOR A Vout
- 6.HALL SENSOR B Vout

\*此译码器主要安装在RS-528,RS-GR电机上。  
\*This decoder is mainly installed on RS-528, RS-GR motors.

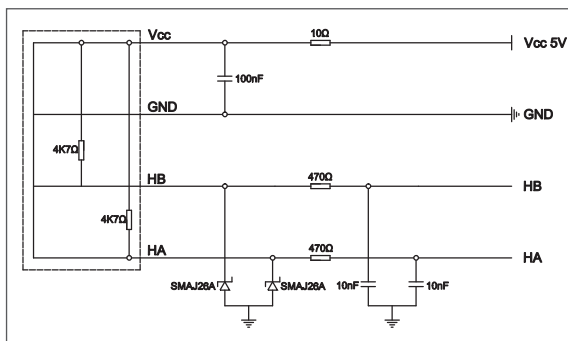
\*每周输出3PPR,7PPR  
\*Each turn output 3PPR,7PPR

规格特性 Charac teristics	代号 Symbol	测试条件 Test conditions	极小 Min	基本 Ref	最大 Max	单位 Units
输入电压 Supply Voltage	Vcc	-----	4.5	--	24	V
输入电流 Supply Current	Icc	-----	--	14	20	mA
输出电流 Output Current	Ic	Vce=12V; Gauss<-170	--	<0.1	20	mA
输出漏电流 Output Leakage Current	Icex	Output open; 25°C [ 77°F ]	--	--	10	μ A
输出上升时间 Output Rise Time	Tr	RL=820Ω; CL=20pF; 25°C	--	0.5	1.5	μ S
输出下降时间 Output Fall Time	Tf	RL=820Ω; CL=20pF; 25°C	--	0.2	1.5	μ S

### ELECTRICAL CHARACTERISTICS

At V = 4.5V to 24V with 20mA load with Ta=-40°C to 125°C [-77°F to 257°F ] unless otherwise noted.

### 输出电路\Output Circuit



### 输出波形\Output Wave

