



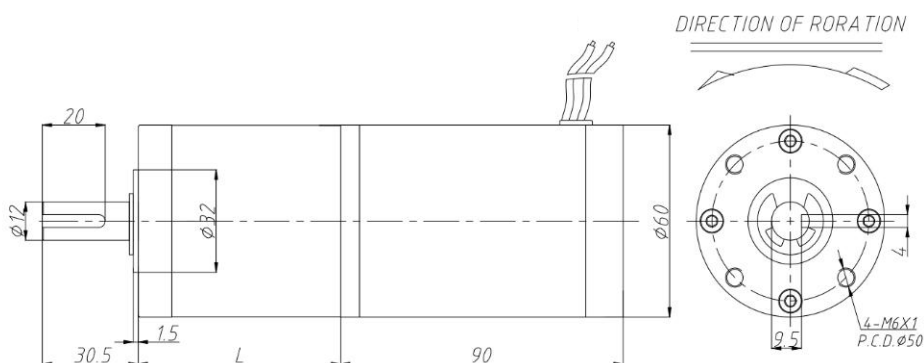
DC Planetary Gear Motor

PG60ZY60



外壳材质Textured	金属Metal	背隙Back lash
输出轴承形式Bearing	滚珠轴承Ball bearing	≤2°
径向力Radial force	≤25kgf	
轴向力Axial force	≤10kgf	
主轴最大承受压入力Maximum pressure force on shaft	≤50kgf	
径向间隙Radial clearance	≤0.1mm	
轴向间隙Axial clearance	≤0.4mm	

电机外形图 Dimensions



性能参数表 Datasheet

电机样式 Motor	电机功率 Power(W)	减速比Ratio	3.7	5.2	13.7	19.2	26.9	51	71	100	139	189	264	369	512	721	699	977	1367	1911	2672	3639
24V5000R	75	空载转速 No-load speed(RPM)	1351	962	365	260	186	98	70	50	36	26	19	14	9.8	6.9	7.2	5.1	3.7	2.6	1.9	1.4
		负载转速 Rated speed(RPM)	1081	769.2	292.0	208.3	148.7	78.4	56.3	40.0	28.8	21.2	15.2	10.8	7.8	5.5	5.7	4.1	2.9	2.1	1.5	1.1
		负载力矩 Rated Torque(N.m)	0.60	0.84	1.99	2.78	3.90	6.66	9.27	13.05	18.14	22.20	25.00	25.00	25.00	25.00	25.00	25.00	25.00	25.00	25.00	25.00
24V7000R	103	空载转速 No-load speed(RPM)	1892	1346	511	365	260	137	99	70	50	37	27	19	14	10	10	7	5	4	3	2
		负载转速 Rated speed(RPM)	1513	1076	408.8	291.7	208.2	109.8	78.9	56.0	40.3	29.6	21.2	15.2	10.9	7.8	8.0	5.7	4.1	2.9	2.1	1.5
		负载力矩 Rated Torque(N.m)	0.58	0.82	1.95	2.73	3.83	6.53	9.09	12.81	17.80	21.78	25.00	25.00	25.00	25.00	25.00	25.00	25.00	25.00	25.00	25.00
级数 Number of gear trains			1	1	2	2	2	3	3	3	3	4	4	4	4	4	5	5	5	5	5	5
减速箱长度 Gearbox Length(mm)			38.3	38.3	51.4	51.4	51.4	64.6	64.6	64.6	64.6	80	80	80	80	80	95	95	95	95	95	95
重量 Weight(g)			1200.0		1300.0			1400.0			1500.0			1600.0								
旋转方向 Direction			CCW																			