



# Dc Worm Gear Motor

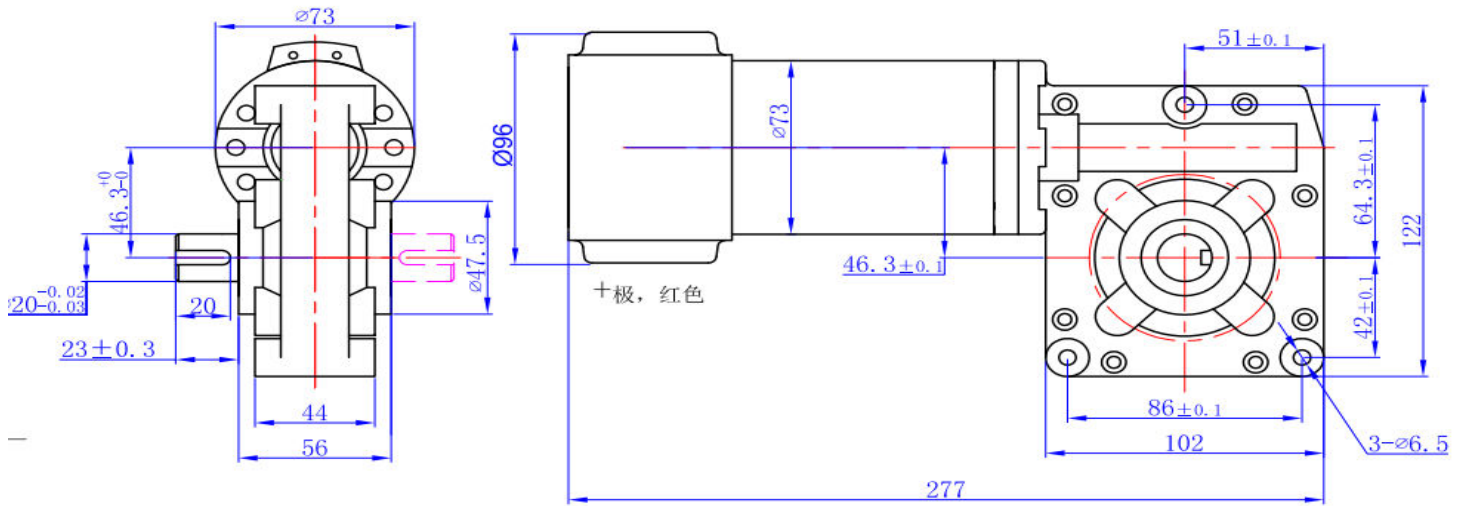
LS-73ZYJ08



## Motor Specification

Model	Voltage	Torque	Current	Speed	Ratio	Power
	V	N.m	A	rpm		W
73ZYJ08	12	62	90	20±10%	1:50	320

\*Note: Motor's voltage, Speed and shaft can be customized. Motor can equip with encoder, electromagnetic brake and so on.



The output shaft can be left or right output shaft, as shown in the figure above. Each shaft extension has two type, key-way or pin hole.

