

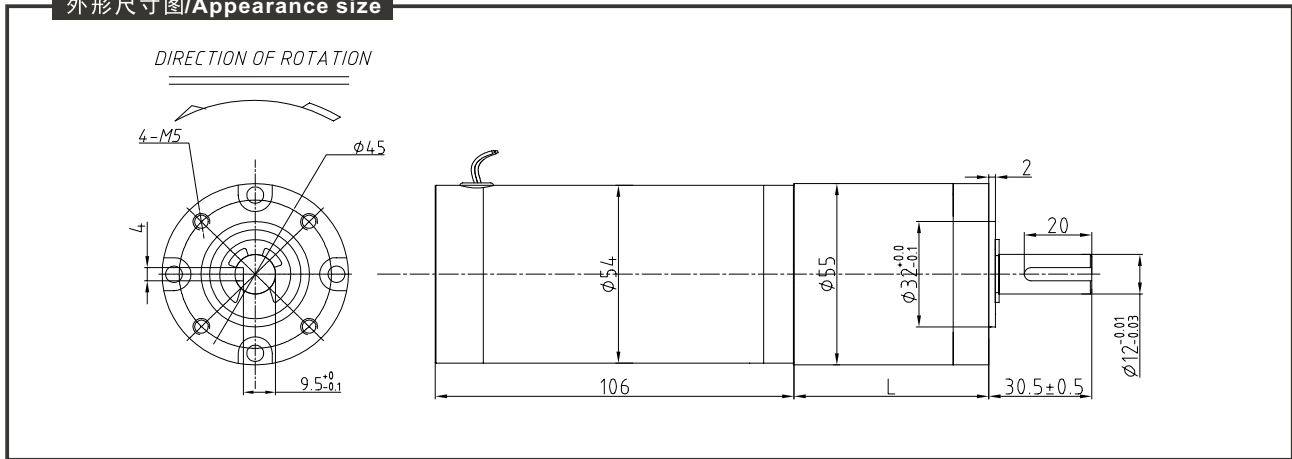


DC Planetary Gear Motor

PG55ZY54



外形尺寸图/Appearance size



马达清单/Motor data:

Model 型号	Rated Voltage (V) 额定电压	No-Load 空载参数		Rated 额定参数				Stall 堵转参数		
		Speed 转速 rpm	Current 电流 mA	Speed 转速 rpm	Current 电流 A	Torque 力矩 mN.m	Output 输出功 W	Eff 效率 %	Torque 力矩 mN.m	Current 电流 A
54106ZY	12	7000	1850	5600	8.48	126.00	73.88	72.60	378.00	45.65
54106ZY	24	7000	980	5600	4.17	128.32	75.25	75.19	384.96	21.60

***Tips: The datasheet on left side are limited, please consult our staffs for more parameter information.**
提示: 左边的数据表参数有限 请联系客服获取更多参数信息

减速箱参数/Gearbox data

	3.7	5.2	13.7	19.2	26.9	51	71	100	139	189	264	369	512	721	977	1367	1911	2672	3639
Gear ratio 减速比 n : 1	3.7	5.2	13.7	19.2	26.9	51	71	100	139	189	264	369	512	721	977	1367	1911	2672	3639
Number of gear stages 减速级数	1	1	2	2	2	3	3	3	3	4	4	4	4	4	5	5	5	5	5
Gearbox Length 齿轮箱长度(mm)	30.8	30.8	44	44	44	57.5	57.5	57.5	57.5	72.5	72.5	72.5	72.5	72.5	87.5	87.5	87.5	87.5	87.5
Efficiency 效率(%)	0.85	0.85	0.72	0.72	0.72	0.61	0.61	0.61	0.61	0.52	0.52	0.52	0.52	0.52	0.44	0.44	0.44	0.44	0.44

54106ZY-12V-7000R

No-load speed 空载转速(RPM)	1891.9	1346.2	510.9	364.6	260.2	137.3	98.6	70.0	50.4	37.0	26.5	19.0	13.7	9.7	7.2	5.1	3.7	2.6	1.9
Rated speed 额定转速(RPM)	1513.5	1076.9	408.8	291.7	208.2	109.8	78.9	56.0	40.3	29.6	21.2	15.2	10.9	7.8	5.7	4.1	2.9	2.1	1.5
Rated torque 额定扭矩(N.M)	0.396	0.557	1.247	1.748	2.449	3.946	5.494	7.738	10.756	12.431	17.364	24.270	25.000	25.000	25.000	25.000	25.000	25.000	25.000
Rated torque 额定扭矩(KG.CM)	3.88	5.46	12.22	17.13	24.00	38.67	53.84	75.83	105.41	121.82	170.17	237.85	245.00	245.00	245.00	245.00	245.00	245.00	245.00
Rated torque 额定扭矩(LB.IN)	4.47	6.29	14.08	19.73	27.65	44.56	62.03	87.37	121.44	140.36	196.05	274.03	282.27	282.27	282.27	282.27	282.27	282.27	282.27

54106ZY-24V-7000R

No-load speed 空载转速(RPM)	1891.9	1346.2	510.9	364.6	260.2	137.3	98.6	70.0	50.4	37.0	26.5	19.0	13.7	9.7	7.2	5.1	3.7	2.6	1.9
Rated speed 额定转速(RPM)	1513.5	1076.9	408.8	291.7	208.2	109.8	78.9	56.0	40.3	29.6	21.2	15.2	10.9	7.8	5.7	4.1	2.9	2.1	1.5
Rated torque 额定扭矩(N.M)	0.404	0.567	1.270	1.780	2.494	4.019	5.595	7.880	10.954	12.660	17.684	24.717	25.000	25.000	25.000	25.000	25.000	25.000	25.000
Rated torque 额定扭矩(KG.CM)	3.95	5.56	12.45	17.44	24.44	39.39	54.83	77.23	107.35	124.07	173.30	242.23	245.00	245.00	245.00	245.00	245.00	245.00	245.00
Rated torque 额定扭矩(LB.IN)	4.56	6.40	14.34	20.10	28.16	45.38	63.17	88.98	123.68	142.94	199.66	279.08	282.27	282.27	282.27	282.27	282.27	282.27	282.27