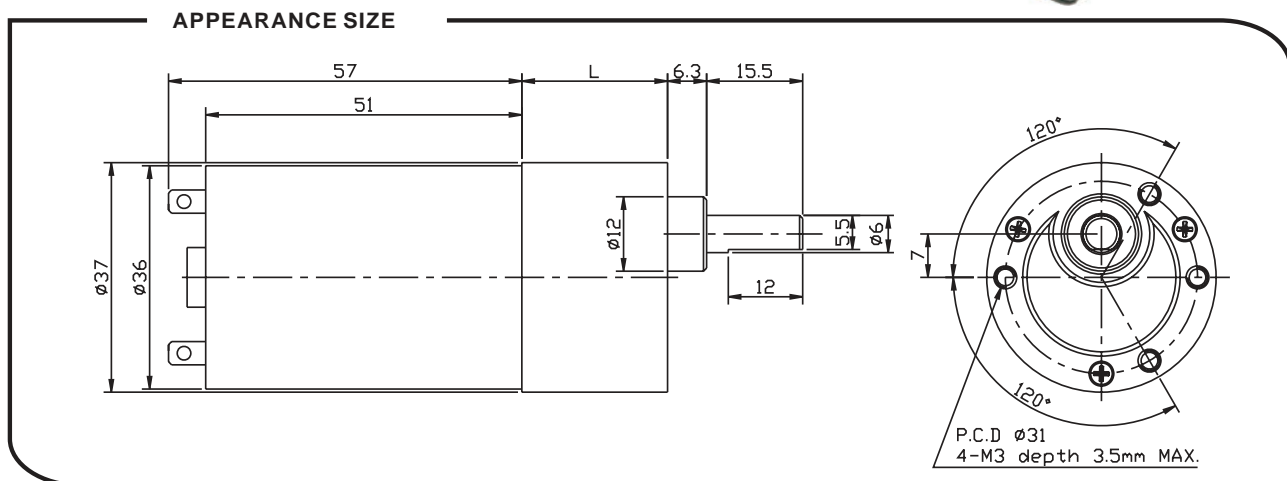




SG-545 DC GEAR MOTOR Series



Gearbox data:

Number of stages	2、3 stages reduction	4、5 stages reduction	6、7 stages reduction
Reduction ratio	6、10 ; 20、30	60、90; 120、180、270	489、540
Gearbox length "L" mm	23.5	26 28	30
Max. Running torque	2Kgf · cm	10Kgf · cm	10Kgf · cm
Max. Gear breaking torque	8Kgf · cm	30Kgf · cm	30Kgf · cm
Max. Gearing efficiency	81%; 73%	65%; 59%	53%; 48%

Other reduction ratio please telephone or e-mail to our engineering department.

Motor data:

Motor name	Rated Volt. V	No load		Load torque				Stall torque	
		Current	Speed	Current	Speed	Torque	Output power	Torque	Current
		mA	r/min	mA	r/min	gf · cm	W	gf · cm	mA
RS-545123000	12	≤110	3000	≤450	2200	100	2.2	400	1800
RS-545124500	12	≤220	4500	≤800	3300	150	4.9	600	3000
RS-545126000	12	≤350	6000	≤1500	4500	200	9.0	800	5500
RS-545243000	24	≤60	3000	≤230	2200	100	2.2	400	900
RS-545244500	24	≤110	4500	≤400	3300	150	4.9	600	1500
RS-545246000	24	≤150	6000	≤750	4500	200	9.0	800	3000

- 1、 This table lists some motors parameters, others please refer to specific parameters of Page 116.
- 2、 After connecting motor and gearbox which is named gearmotor the output torque: motor torque X reduction ratio X gearing efficiency; output speed: motor speed / reduction ratio.

NOTE:

- 1、 Gearmotor named methods: e.g. SG-545123000-90K Motor please refer to the motor data RS-545123000. Gearbox please refer to gearbox data reduction ratio 90. Related to gearmotor output speed and torque please refer to motor data.
- 2、 Motor can be installed with magnetic encoder, encoder parameters please refer to Page 110.
- 3、 Gearbox shell material: zinc alloy.
- 4、 Gearbox gear materials: The first stage gear: plastic gear. The final stage gear: 45# steel Heat-treatment gear. Other stages gear: powder metallurgy gear.
- 5、 Standard output shaft after reducing: $\phi 6.0$ mm. other sizes of the output shaft can make as client request.
- 6、 Chart only for reference, products shall prevail the entity.