

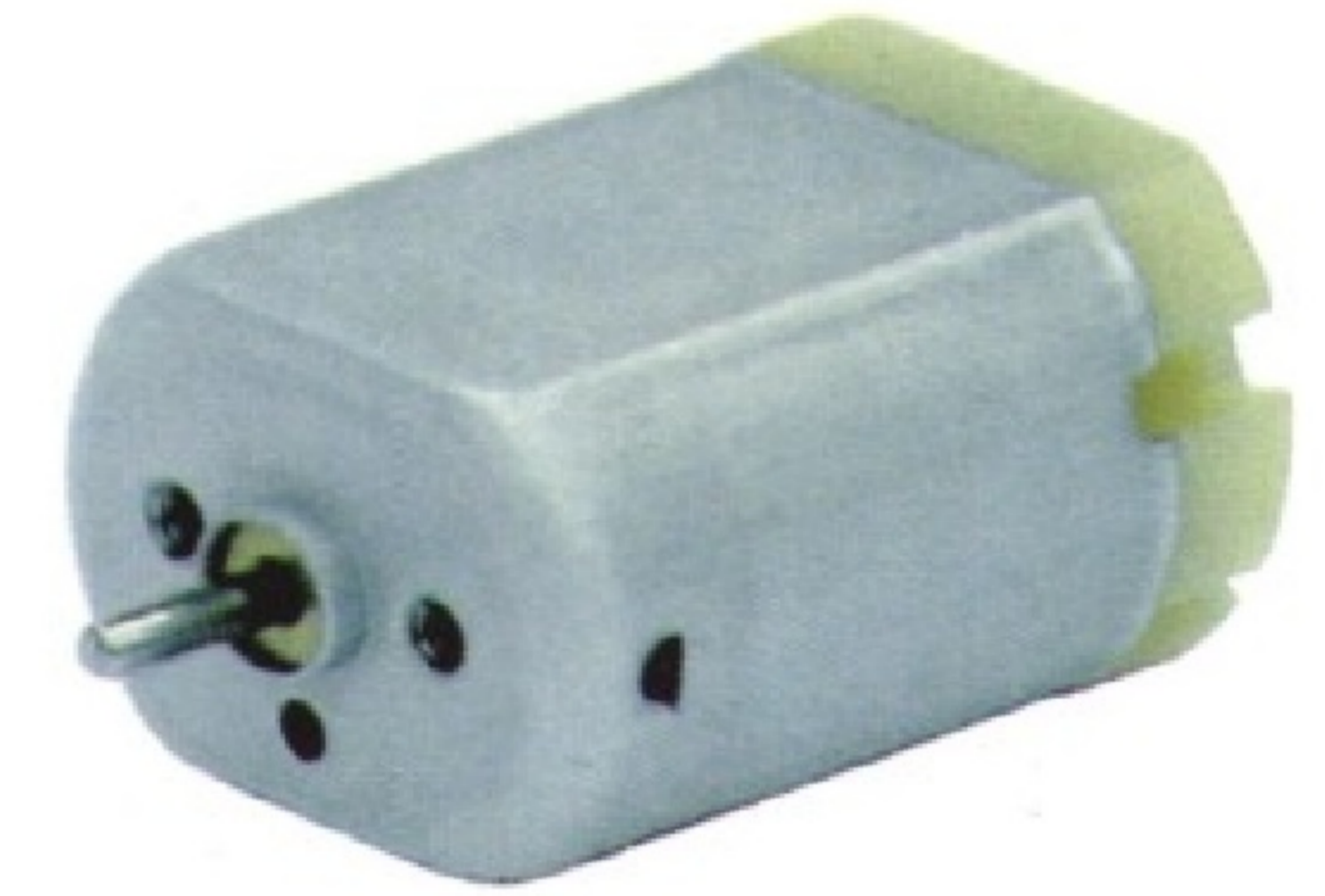


Micro Dc Motor

FK280B

Application:

Typical Applications、 Motorized Toy、 Motorized Plastic Model。

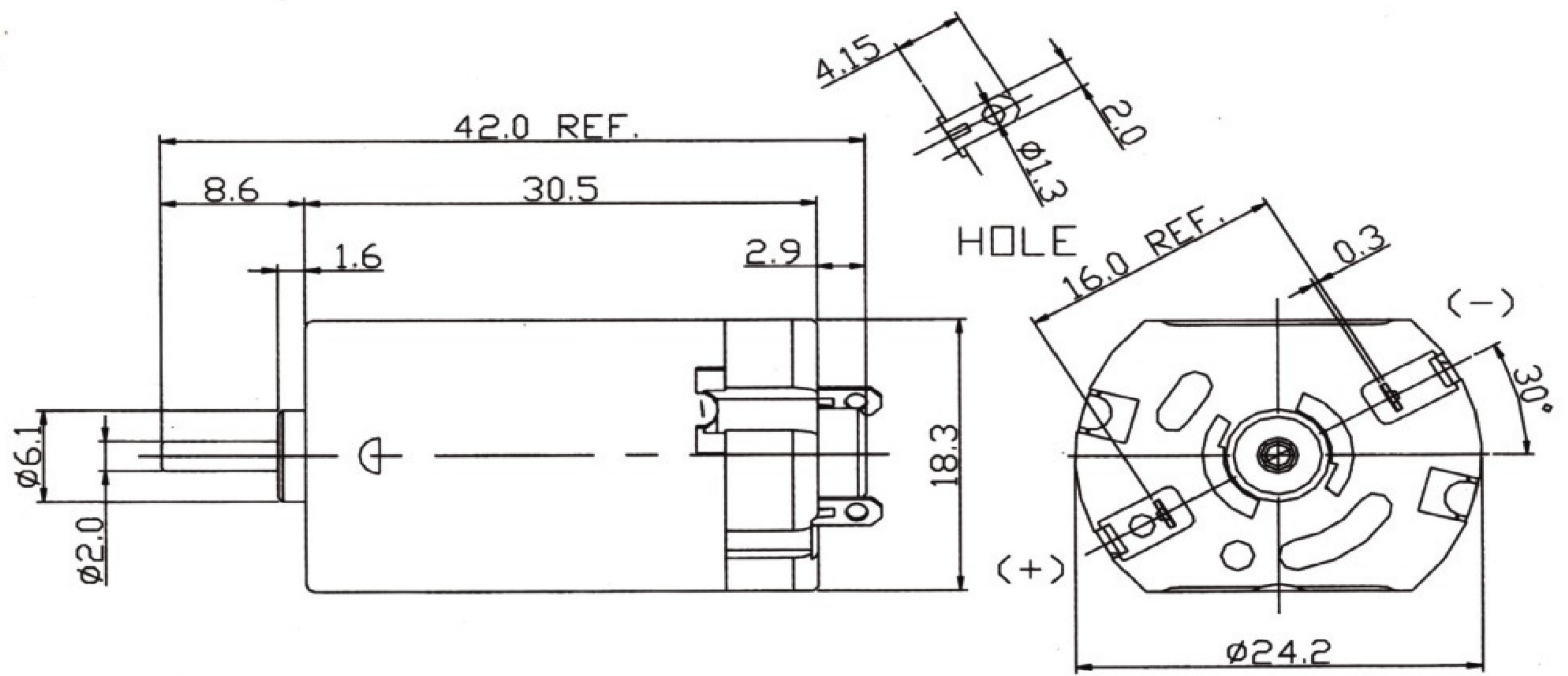
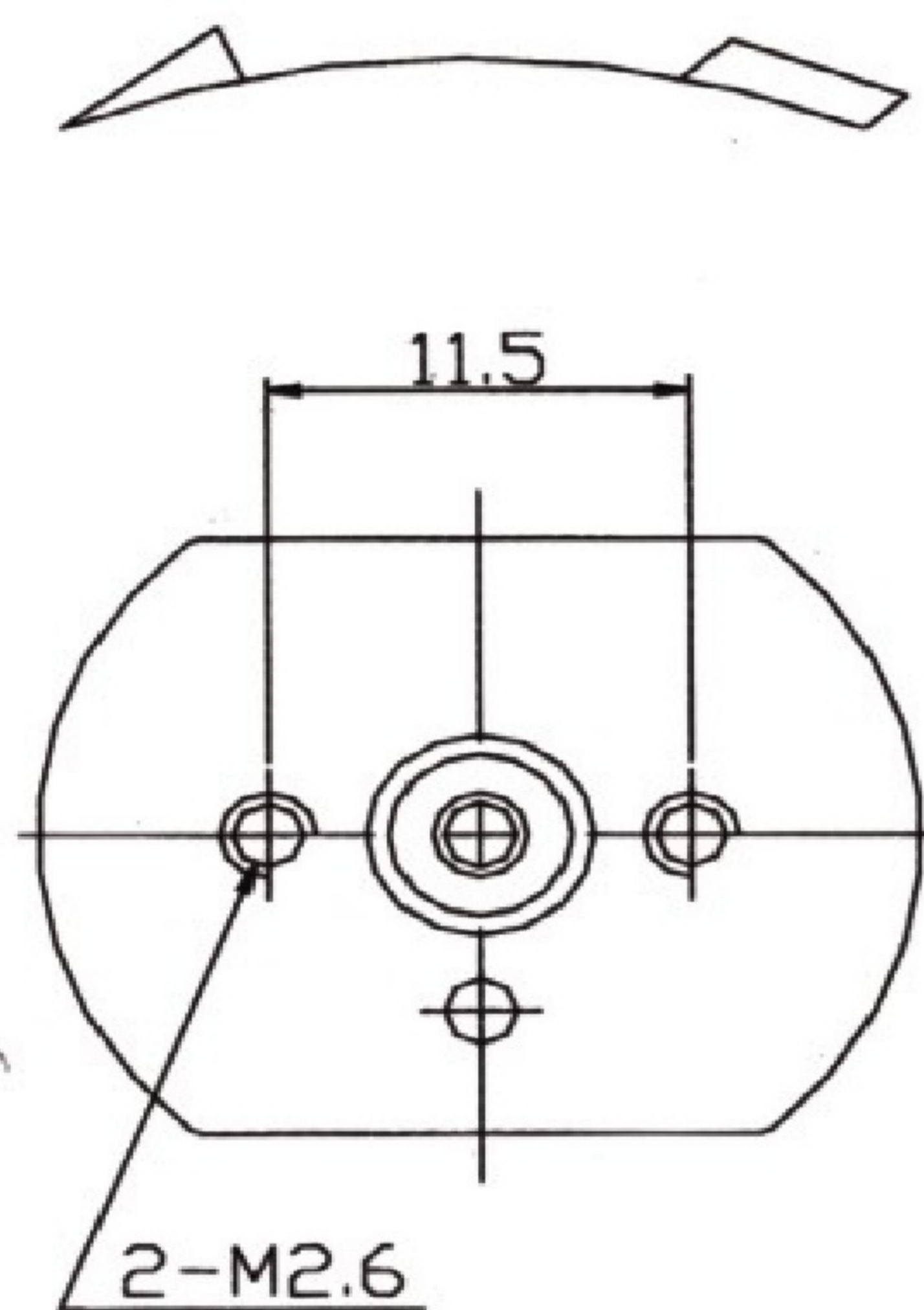


Electrical Specification

MODEL	VOLTAGE		NOLOAD		AT MAX.EFFICIENCY					STALL	
	OPERATING RANGE	NOMINAL (CONSTANT)	SPEED	CURRENT	SPEED	CURRENT	TORQUE	OUTPUT	EFF.	CURRENT	TORQUE
			rpm	A	rpm	A	g-cm	W	%	A	g-cm
FK280B-12125-42	3.0~12.0	6.0V	8310	0.17	6700	0.70	37.4	2.57	61.5	2.90	193.0
FK280B-16200-42	3.0~12.0	12.0V	10280	0.06	8850	0.36	30.6	2.78	64.5	2.22	220.0

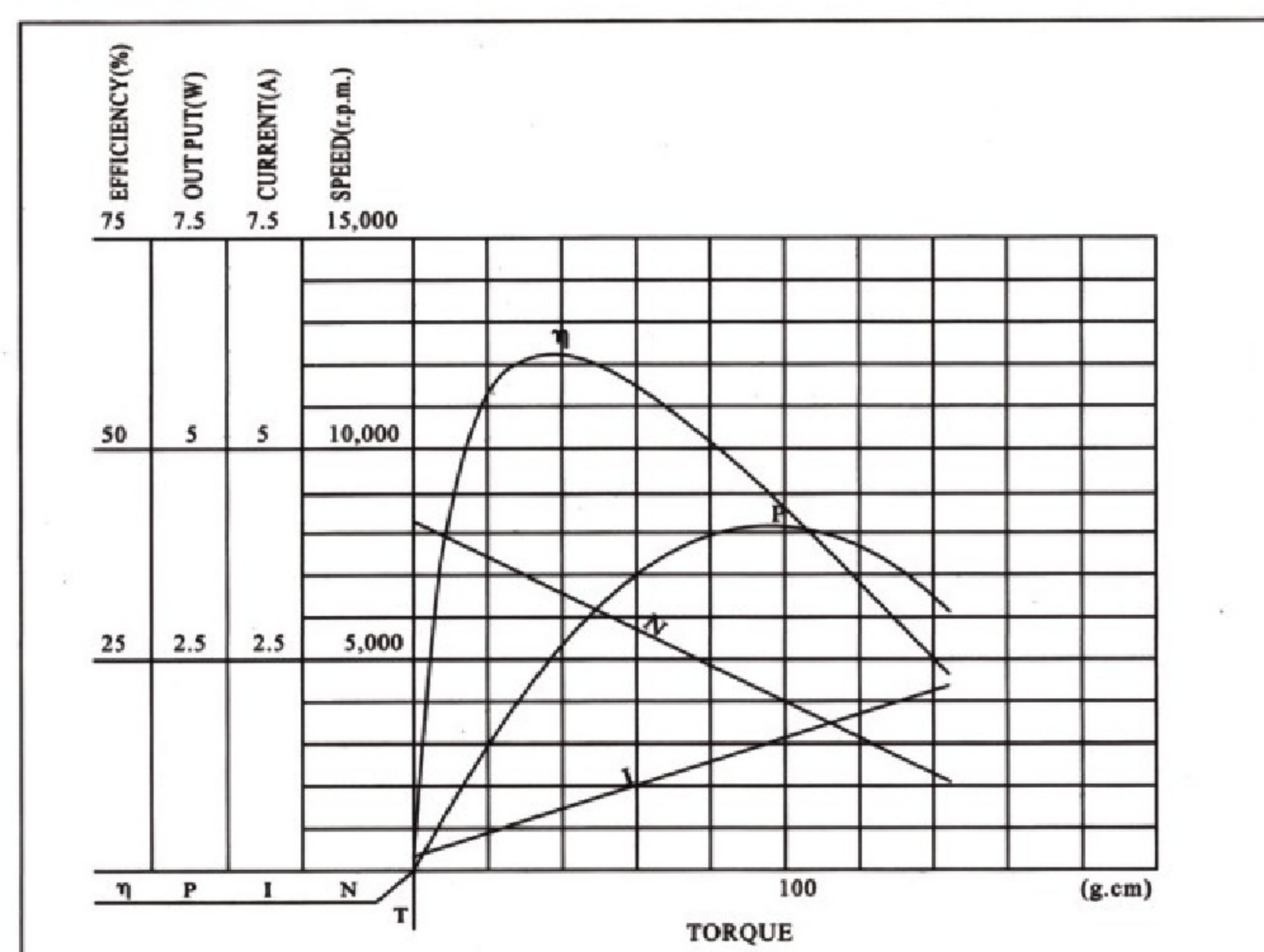
Mechanical Dimensions

DIRECTION OF ROTATION



UNIT:mm

FK280B-12125-42 6.0V



FK280B-16200-42 12.0V

