



DC Worm Gear Motor

80ZYJY-02

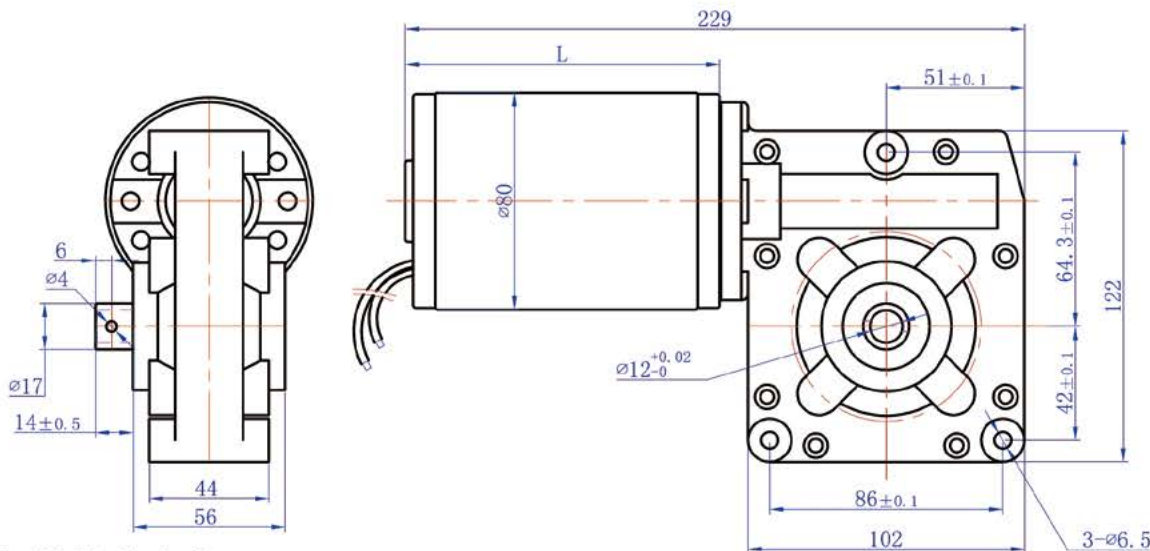
产品介绍 Product introduction

结构紧凑、装拆方便、连接牢固、耐负载能力强、转速、转矩调整范围大，适用于工况变化大的场合。如高尔夫球包车、电动车中作驱动元件。



The features are compact structure, easy assembly and disassembly, firm connection, strong resistance to load, large adjustment range of speed and torque, and suitable for occasions with large changes in operating conditions. Such as golf trolleys, electric vehicles.

外形和安装尺寸 Dimensions



电动机的技术参数：Motor Technical Data

电机型号 (Type)	电压 Voltage (V)	转矩 Torque (N.m)	电流 Current (A)	转速 Speed (r/min)	功率 Power (W)	长度 Length (mm)
80ZY-01	12	0.48	25	4000	200	116

减速器的技术参数：Gearbox Technical Data

减速比 (Ratio)	减速器尺寸 Reducer size (长*宽*高) (L*W*H) (mm)	空载转速 Unloaded speed (r/min)	负载转速 Load speed (r/min)	额定转矩 Rated torque (N.m)	允许最大负载 Maximum load (N.m)
25:1	102*122*56	200	160	6	15
30:1	102*122*56	167	134	8	20