

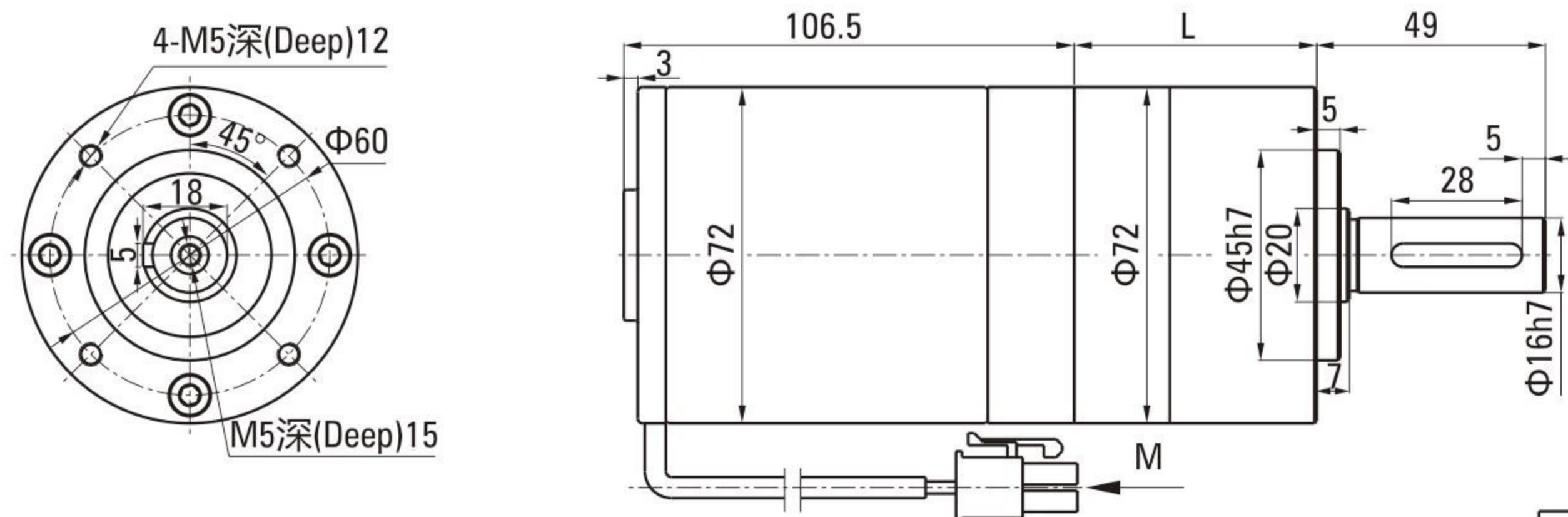


DC Planetary Gear Motor

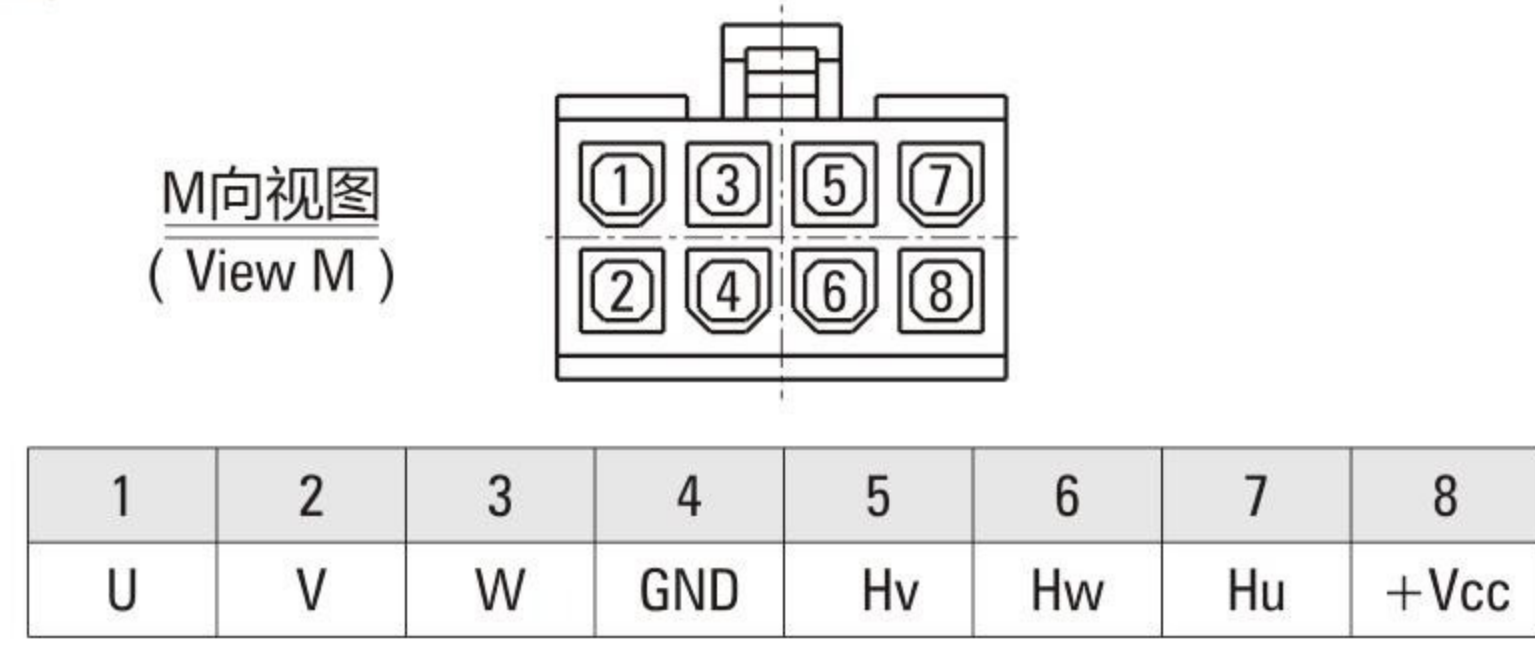
■ ZPNΦ72 BRUSHLESS无刷



■ 外径72直流无刷行星减速电机外形图纸 Outside Diameter 72 DC Brushless Motor



电机型号 Motor Type	减速箱型号 Gearbox Model	减速比 Gear Ratio		L尺寸(mm) Dimension
Z72BLDPN	72ZPN□	一级Stage1	3.65~8.63	52
		二级Stage2	14~58	72.15
		三级Stage3	67~393	92.3



■ 无刷直流电机技术参数 BLDC Motor Technical Data

有刷电机型号 Motor Type	电压 Voltage	功率 Power	空载电流 No-load Current	空载转速 Rated Speed	额定电流 Rated Current	额定转速 Rated Speed	额定力矩 Rated Torque	电机寿命 Motor Life
Type	V	W	A	RPM	A	RPM	N.m	H
Z72BLDPN24120-30S	24	120	0.8	3700	6.5	3000	0.382	5000
Z72BLDPN24150-30S	24	150	1.5	3800	8.5	3000	0.478	5000
Z72BLDPN24180-30S	24	180	2.0	3900	10.5	3000	0.573	5000

■ 无刷直行星减速电机技术参数 BLDC Planetary Gear Motor Technical Data-Z72BLDPN24120-30S

减速比 Ratio	3.65	5.36	6.55	8.63	14	19	25	28	34	45	58	67	81
输出轴转速 r/min Output shaft Speed	822	560	458	348	222	159	122	107	89	67	52	45	37
允许力矩 N.m Allowable Torque	1.25	1.84	2.25	2.97	4.33	5.88	7.74	8.66	10.52	13.92	17.95	18.68	22.59
减速级数 Reduction Stage	1	1	1	1	2	2	2	2	2	2	2	3	3
减速比 Ratio	91	103	119	128	146	165	192	232	302	393			
输出轴转速 r/min Output shaft Speed	33	29	25	24	21	18	16	13	9.9	7.6			
允许力矩 N.m Allowable Torque	25.38	28.72	33.18	35.69	40.71	46.01	53.54	64.70	84	84			
减速级数 Reduction Stage	3	3	3	3	3	3	3	3	3	3			