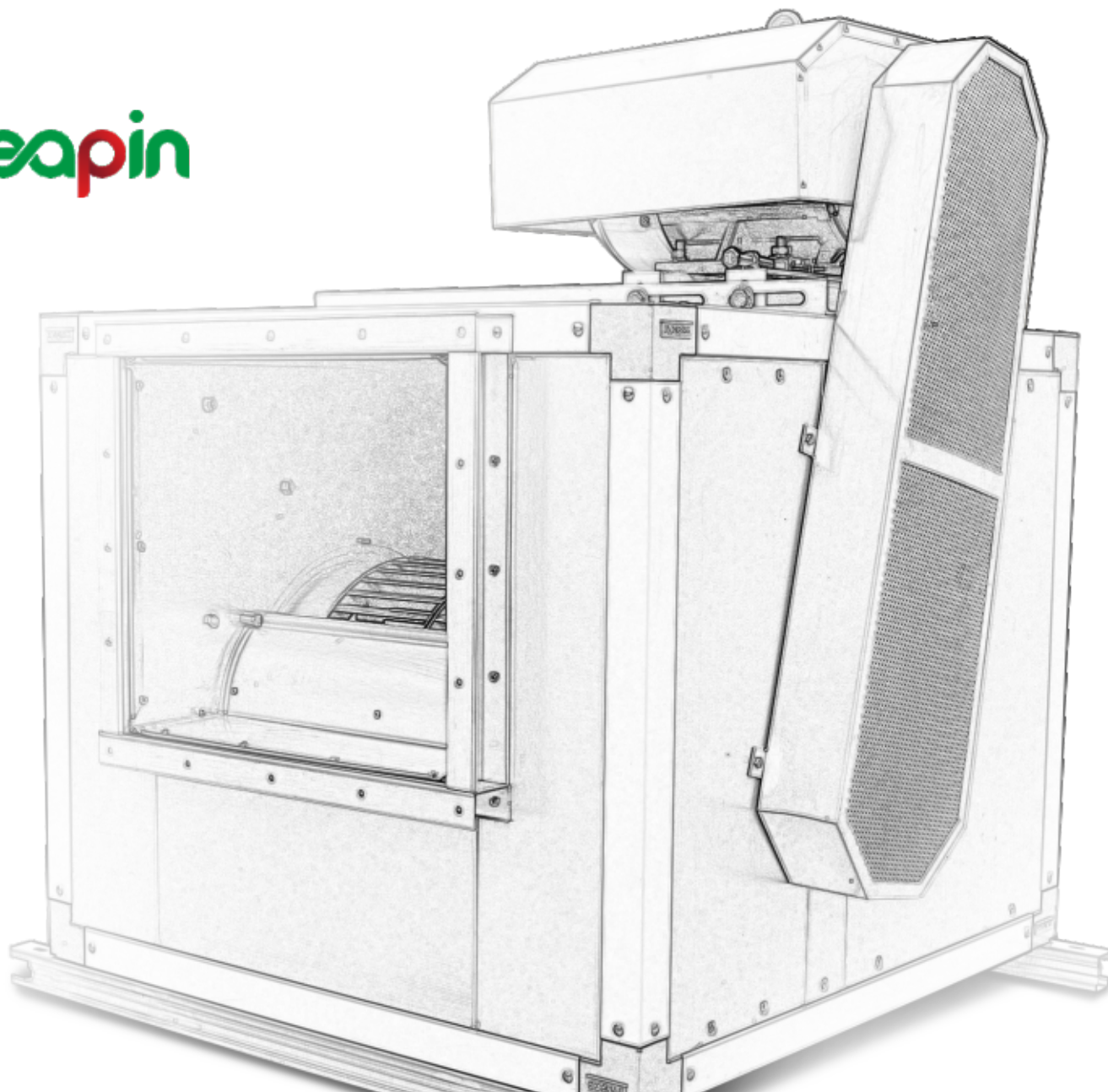


Leapin



Cabinet fan series **LT-FC**  
**PRODUCT CATALOGUE**  
AN INDUSTRY-LEADING FANS MANUFACTURER & VENTILATION  
SYSTEM DESIGNER

GUANGDONG LEAPIN ENVIRONMENTAL TECHNOLOGY COMPANY..LTD

# COMPANY PROFILE

## MAIN PRODUCTS

- A** Environmental protection purification equipment
- B** Ventilation equipment
- C** Noise reduction equipment
- D** Ventilation valve



**22+** Experience and technology accumulation

**10+** More than mu of production base

**1000+** The enterprise provides technical and service support

**20+** Patent design

## ABOUT US

Guangdong Green Goods Environmental Protection Technology Co., Ltd. is the industry's leading ventilation environmental protection equipment and intelligent ventilation. By virtue of the parent company's 22 years experience and technical product of Foshan Yuan Green Ventilation, it has provided technical and service support for thousands of enterprises across the country.

Since the introduction of lean production management concept, through the personnel structure, production organization, and organizational operation, and constantly increase research and development input, and at the same time the old work Art innovation, green technology into a new year. From production efficiency, product quality and production. The pursuit of excellence in multiple dimensions such as product performance, so that the production and R & D system can quickly adapt to the use of Household needs.

Focus

High quality

Innovation

In the future, we will continue to increase research and development input, provide more and more comprehensive environmental protection ventilation, Provide solid and reliable environmental ventilation solutions for various industries to create a global environmental protection net The technology industry chain.

## VISION

We are committed to bringing the truly perfect, environmentally friendly intelligent ventilation system to the country, providing diversified products, building a clean, green, sustainable, suitable for everyone's life environment, restore the natural breeze.

- A** We continue to invest in environmental protection technology, every detail is strictly controlled, never stop in quality;
- B** We from the R & D, production, transportation, installation of each link grinding, continued to upgrade to maintain the industry's top service
- C** We build outlets across the country, and strive to provide the most perfect solution to thousands of households, and access to the ultimate service experience;

## IDEA

The business philosophy of "Quality and Virtue, Dedication and Loyalty, Lean Innovation, Cooperation and Win-win, Creating Green Products for One Hundred Years."



# QUALIFICATION CERTIFICATION



- A) High -tech certification enterprise
- B) China Environmental Protection Product Certification
- C) Guangdong Famous Brand Products
- D) Quality Management System Certification
- E) Keeping contract with a credit enterprise
- F) Products have been tested by various strict testing



# GLOBAL SERVICE

Based in Foshan, radiate the world



1000<sup>+</sup>

Guarantee of Cooperation

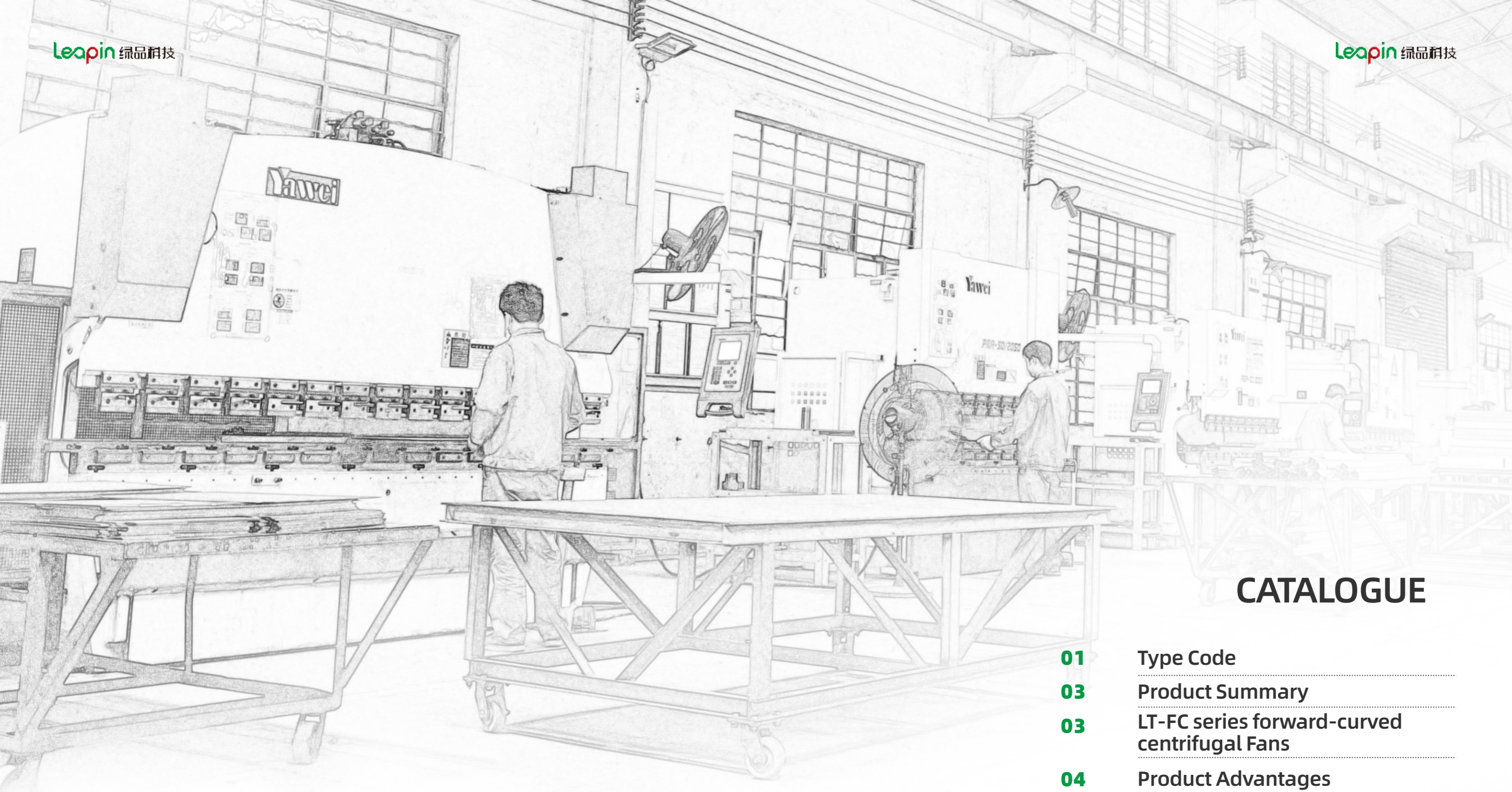
10,000,000<sup>+</sup>

Amount of cooperation

We build networks across the country and strive to provide the most complete solutions. Provide thousands of households, and get the ultimate service experience.







# 04 Cabinet fan series

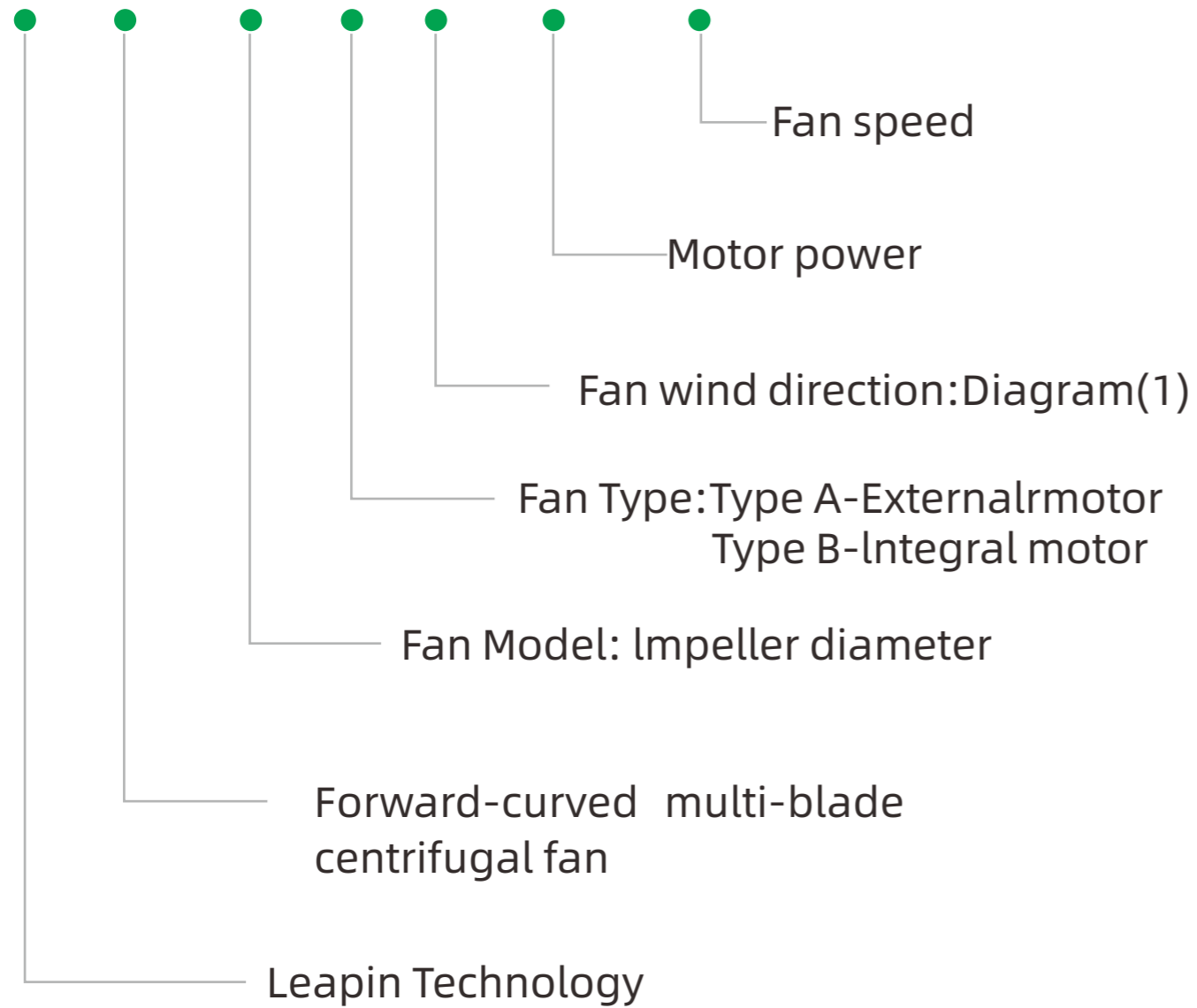
## CATALOGUE

- 01** Type Code
- 03** Product Summary
- 03** LT-FC series forward-curved centrifugal Fans
- 04** Product Advantages
- 04** Wind direction
- 05** Product Characteristic
- 05** Product size
- 06-07** Fan external dimensions diagram
- 08-22** Data Sheet



# Type Code

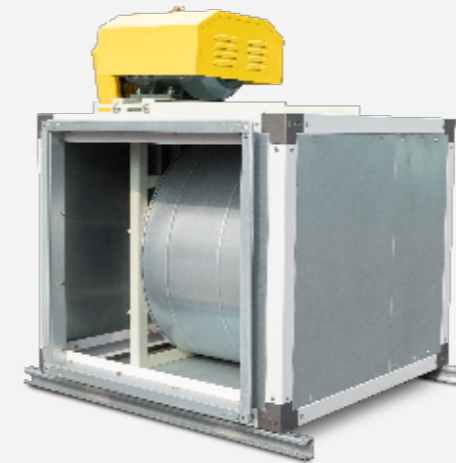
LT - FC - 250 A (1) - 1.5 - 1400



# LT-FC Cabinet fan series

Product Advantages:

1. High volume, low noise
2. Double wall designed
3. Wide product range



## Product Summary:

LT-FC series forward-curved centrifugal fan is a newly developed centrifugal fan by our company. The angle between the blades and the air outlet direction is less than 90 degrees, and the blades are relatively narrow, forming a curved shape. This design makes the fan operate more quietly and is suitable for systems with low resistance and high airflow.

Type A is the external motor type (motor outside the casing), including motor side-mounted, motor rear-mounted, and motor top-mounted configurations. Type B is the integral motor type (motor inside the casing).

LT-FC series fans have a total of 13 specifications:

**250, 280, 315, 400, 450, 500, 560, 630, 710, 800, 850, 900, and 1000.**

Airflow: **1700-120000 m<sup>3</sup>/h,**

Total pressure: **200-1300 Pa.**

LT-FC series fans are suitable for various locations such as office buildings, hotels, theaters, auditoriums, basements, shopping malls, hospitals, factories, etc., enabling functions like air circulation, temperature regulation, or air exhaust.

## LT-FC series forward-curved centrifugal fan:

High airflow, high pressure, low noise, high efficiency.

Multiple models, various power ratings, multiple speeds, meeting the requirements of various ventilation systems.

Convenient maintenance, multiple angles for changing the direction of airflow, flexible installation.

There are a total of 13 models:

**250, 280, 315, 400, 450, 500, 560, 630, 710, 800, 850, 900, and 1000.**

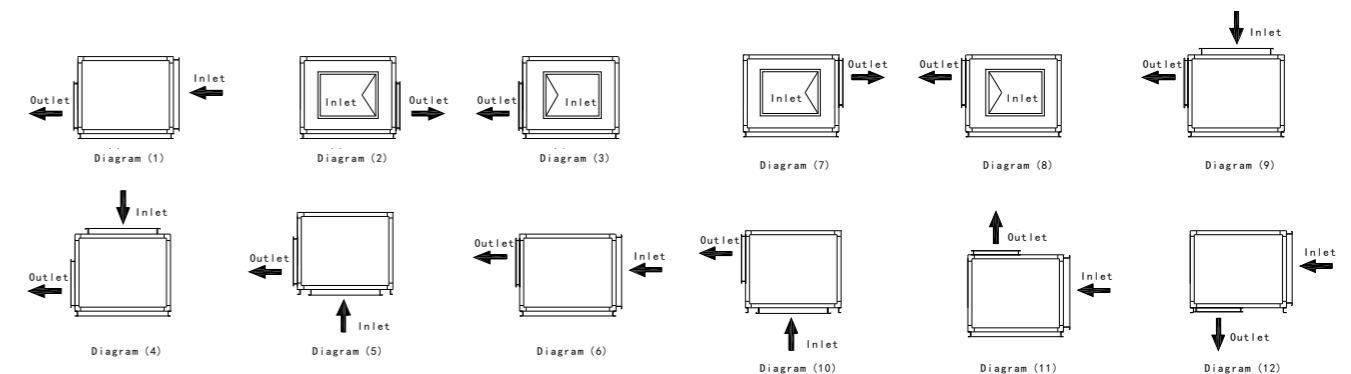
Airflow: **1700-120000 m<sup>3</sup>/h.**

Total pressure: **200-1300 Pa.**

## Product Advantages:

- **High Efficiency:** LT-FC series fans are designed to perform exceptionally well in low resistance, high-flow systems. They can propel a large volume of air with minimal power consumption, providing efficient ventilation and air circulation.
- **Wide Applicability:** LT-FC series fans comprise 13 models, each available with various motor power configurations, meeting the performance requirements of diverse systems. Additionally, LT-FC series fans offer over ten different directions for the placement of the air inlet and outlet, catering to different installation environments on-site.
- **Low Noise:** The blades of the LT-FC series fans are relatively narrow and have a curved shape, resulting in a smoother airflow during operation and, consequently, lower noise levels. The impeller's static and dynamic balance meets the G2.5 requirements outlined in the ISO 1940 standard. Additionally, the cabinet panels are embedded with 50mm sound-absorbing cotton to further dampen the noise generated by the fan.
- **Reliable Craftsmanship:** All components are processed using high-quality steel materials. Manufacturing tolerances, welding quality, product corrosion resistance, and other aspects strictly adhere to standards. Additionally, the fan is equipped with high-quality bearings and European-style pulleys, ensuring the long-term smooth and reliable operation of the fan.
- **Easy Maintenance:** The cabinet is flat, assembled with panels and frames, and all panels are detachable for convenient maintenance.

## Wind direction:

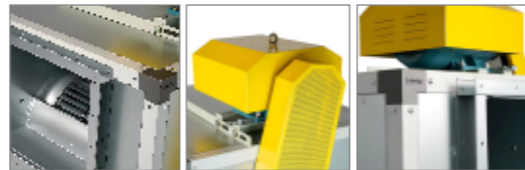


**Product Characteristic:**

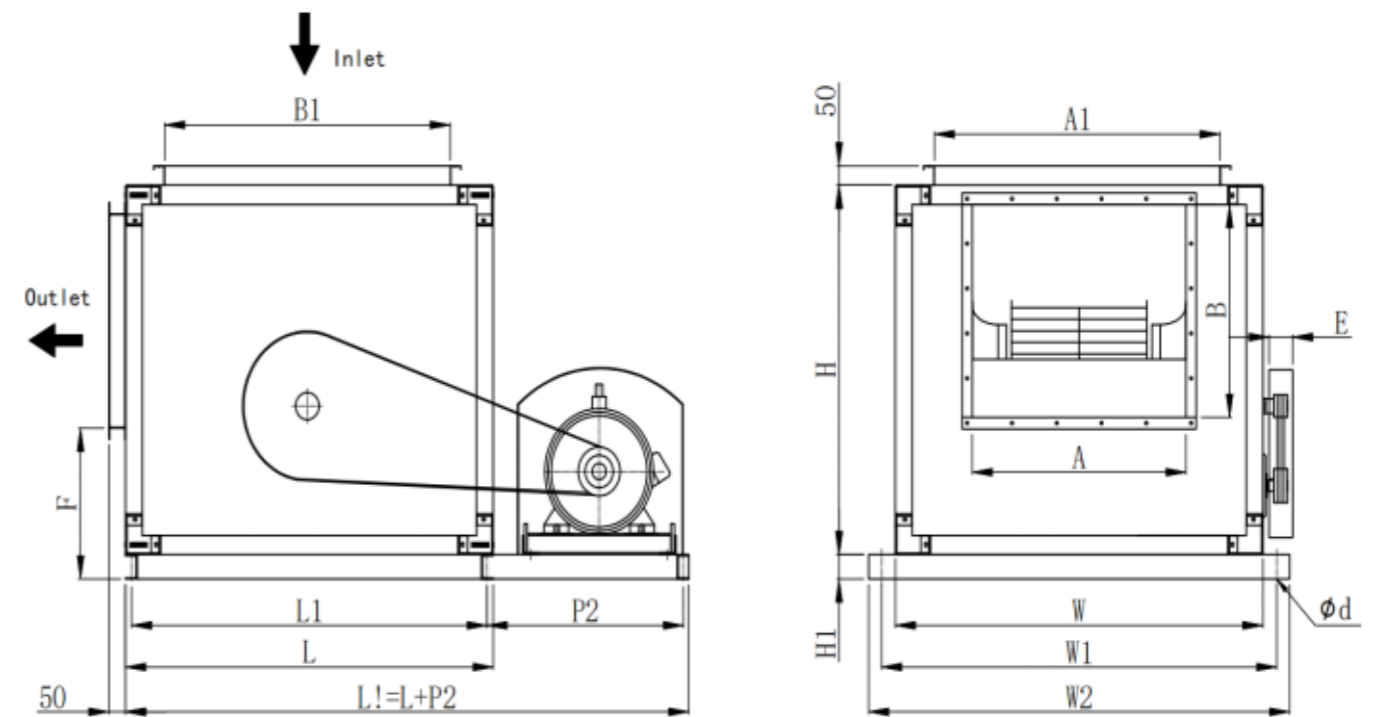
- Model: 250,280,315,400,450,500,560,630,710,800,850,900,1000
- Airflow(m<sup>3</sup>/h): 1700-120000
- Total pressure(Pa): 200-1600
- Impeller: Forward curved centrifugal impeller
- Bearing: Insert bearing with housing(UKP)
- Transmission mode: Belt drive
- Pulley: European-style pulley(SP)
- Overall material: Galvanized sheet



Motor auxiliary dimensions																
Motor frame size	Y80M	Y90S	Y90L	Y100L	Y112M	Y132S	Y132M	Y160M	Y160L	Y180M	Y180L	Y200L	Y225S	Y225M	Y250M	Y280S
P1	320	360	360	420	420	520	520	650	650	700	730	800	830	850	880	1020
P2	420	440	440	490	520	560	560	600	600	650	650	780	830	830	930	1050
H2	220	240	240	295	315	365	365	435	435	480	480	525	580	580	625	690



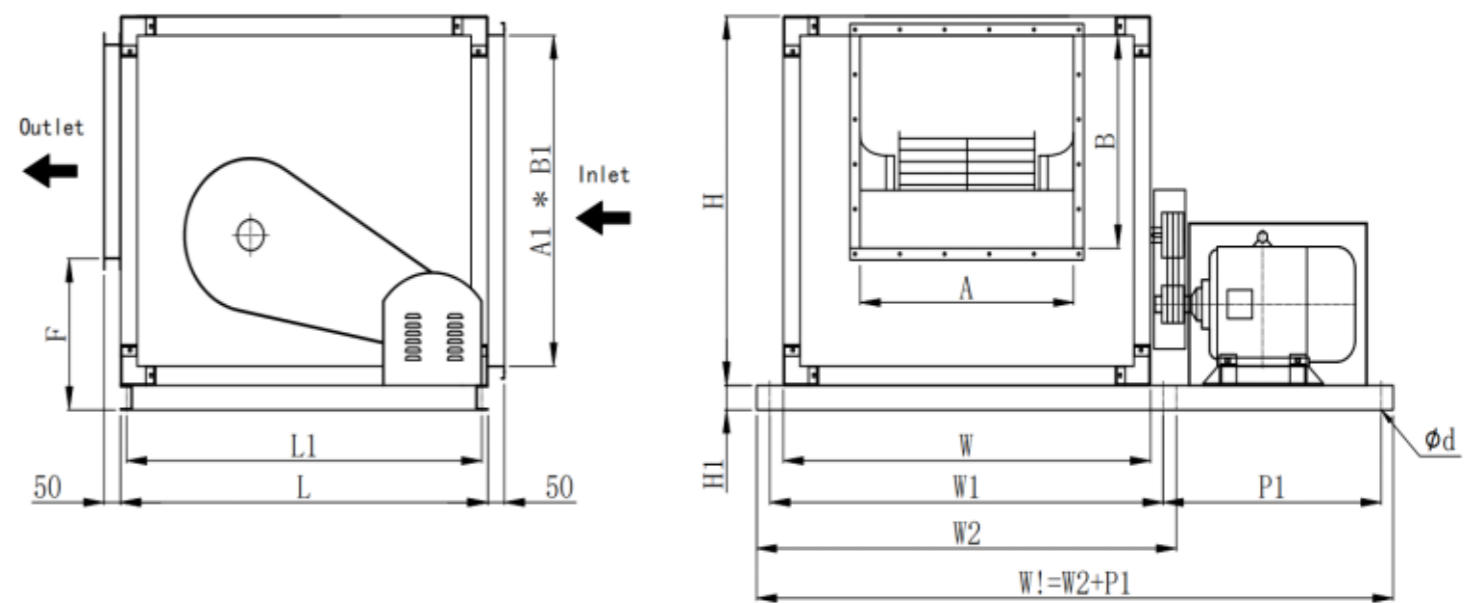
**Fan external dimensions diagram(Type A-Motor rear-mounted)**



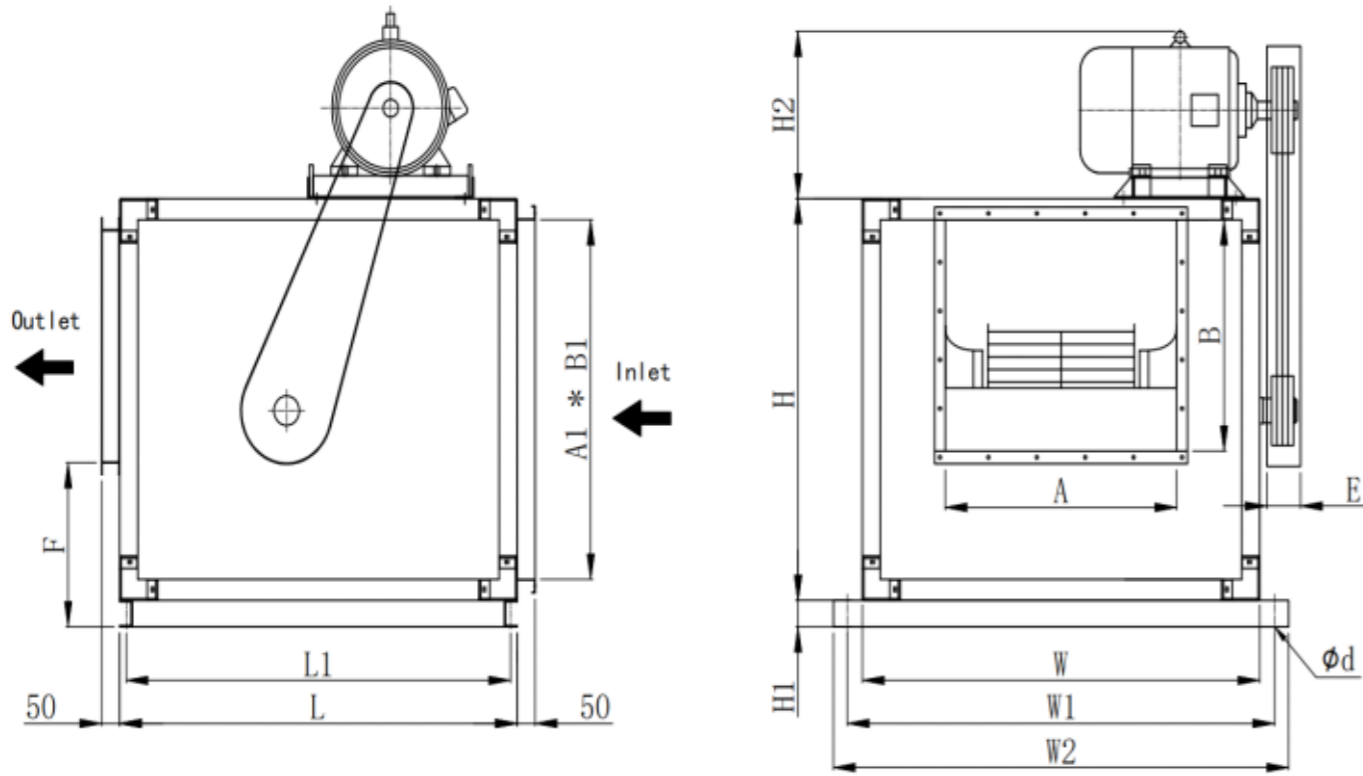
**Product sizes:**

Dimensions of LT-FC Series Fans																	All dimensions in mm													
Type	Enclosure dimensions							Installation dimensions							Outlet dimensions		Inlet dimensions													
	Diagram(1)-(10)			Diagram(11),(12)				Diagram(1)-(10)			Diagram(11),(12)				F	A	B	Diagram(1),(4),(5),(6),(9),(10)				Diagram(2),(3),(7),(8)				Diagram(11),(12)				
	L	Type A	Type B	H	Type A	Type B	Motor top-mounted	W	L1	Type A	Type B	Type A	Type B	Motor top-mounted				W1	W2	H1	Mounting hole φd	E	Diagram(1)-(5)	Diagram(6)-(10)	A1	B1	Type A		Type B	
															A1	B1	A1										B1			
LT-FC-250	700	900	540	700	950	900	510	700	666	866	666	916	866	780	860	50	φ13*25	95	102	252	335	285	500	440	500	440	700	440	500	410
LT-FC-280	750	950	590	750	1000	940	550	750	716	916	716	966	906	830	910	50	φ13*25	95	102	282	376	304	550	490	550	490	750	490	550	450
LT-FC-315	800	1100	650	800	1150	1010	600	800	766	1066	766	1116	976	880	960	50	φ13*25	100	102	290	417	356	600	550	600	550	900	550	600	500
LT-FC-400	940	1200	810	940	1300	1070	725	940	906	1166	906	1266	1036	1020	1100	50	φ13*25	100	102	372	510	435	740	710	740	710	1000	710	740	625
LT-FC-450	1000	1310	1000	1000	1410	1200	800	1000	966	1276	966	1376	1166	1080	1160	50	φ13*25	110	102	515	578	481	800	900	800	900	1110	900	800	700
LT-FC-500	1100	1430	1100	1100	1550	1360	900	1100	1058	1388	1058	1508	1318	1180	1260	80	φ13*25	110	132	572	644	554	900	1000	900	1000	1230	1000	900	800
LT-FC-560	1200	1550	1200	1200	1650	1380	1000	1200	1158	1508	1158	1608	1338	1280	1360	80	φ13*25	120	132	620	704	604	1000	1100	1000	1100	1350	1100	1000	900
LT-FC-630	1300	1650	1300	1300	1800	1460	1100	1350	1258	1608	1258	1758	1418	1430	1510	80	φ13*25	120	132	650	794	674	1100	1200	1100	1200	1450	1200	1100	1000
LT-FC-710	1400	1750	1400	1400	1900	1645	1200	1470	1358	1708	1358	1858	1603	1550	1630	80	φ13*25	125	132	676	854	754	1200	1300	1200	1300	1550	1300	1200	1100
LT-FC-800	1600	2000	1600	1600	2200	1860	1400	1650	1558	1958	1558	2158	1818	1730	1810	80	φ13*25	125	132	769	970	856	1400	1500	1400	1500	1800	1500	1400	1300
LT-FC-850	1700	2200	1700	1700	2500	2080	1400	1800	1652	2152	1652	2452	2032	1900	2000	100	φ19*28	135	160	724	1014	1014	1580	1580	1480	1580	1980	1580	1580	1280
LT-FC-900	1800	2400	1800	1800	2800	2220	1500	1950	1752	2352	1752	2752	2172	2050	2150	100	φ19*28	135	160	660	1080	1080	1730	1680	1580	1680	2180	1680	1730	1380
LT-FC-1000	2000	2600	2000	2000	3100	2420	1650	2150	1952	2552	1952	3052	2372	2250	2350	100	φ19*28	135	160	845	1194	1194	1930	1880	1780	1880	2380	1880	1930	1530

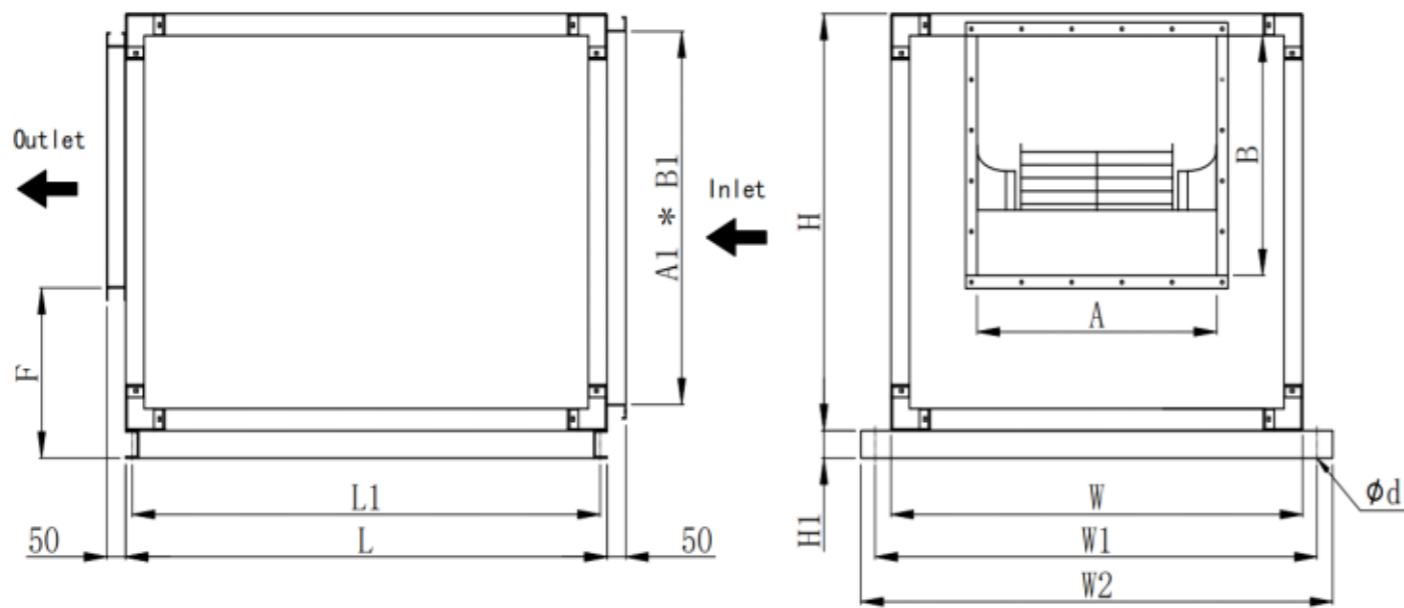
**Fan external dimensions diagram(Type A-Motor side-mounted)**



**Fan external dimensions diagram(Type A-Motor top-mounted)**



**Fan external dimensions diagram(Type B-Motor inside-mounted)**



**1. Performance chart 2. LT-FC Belt driven**

Impeller diameter (mm)	Fan speed r/min	Motor Power kw	Operating Point	Air volume m <sup>3</sup> /h	Static Pressure Pa	Total Pressure Pa	Fan efficiency %	Shaft Power kw	Sound dB(A)	Weight (kg)
250	1050	0.55	1	3544	120	199	31.05	0.63	62	113
			2	3310	148	217	36.62	0.54	61.4	
			3	3048	176	234	38.74	0.51	61.1	
			4	2746	203	250	40.9	0.47	59.9	
			5	2478	220	259	42.66	0.42	59.8	
			6	2061	241	268	43.7	0.35	58.8	
			7	1706	254	272	44.62	0.29	57.5	
	1130	0.75	1	3814	140	231	31.65	0.77	63.6	114
			2	3562	171	251	37.22	0.67	63	
			3	3280	203	271	39.34	0.63	62.7	
			4	2955	234	289	41.5	0.57	61.5	
			5	2667	255	300	43.26	0.51	61.4	
			6	2218	280	311	44.3	0.43	60.4	
			7	1836	294	315	45.22	0.36	59.1	
	1220	1.1	1	4118	162	269	31.95	0.96	65.3	118
			2	3845	200	293	37.52	0.83	64.7	
			3	3541	237	316	39.64	0.78	64.4	
			4	3190	273	337	41.8	0.71	63.2	
			5	2879	298	350	43.56	0.64	63	
			6	2394	326	362	44.6	0.54	62	
			7	1982	342	367	45.52	0.44	60.8	
1400	1.5	1	4726	214	354	32.25	1.44	68.3	123	
		2	4413	264	386	37.82	1.25	67.7		
		3	4063	313	417	39.94	1.18	67.4		
		4	3661	360	444	42.1	1.07	66.2		
		5	3304	392	461	43.86	0.96	66		
		6	2747	430	477	44.9	0.81	65		
		7	2274	451	484	45.82	0.67	63.8		
280	1050	0.75	1	4980	137	250	31.05	1.11	63.5	119
			2	4650	173	272	36.62	0.96	62.9	
			3	4282	210	294	38.74	0.9	62.6	
			4	3858	245	313	40.9	0.82	61.4	
			5	3482	270	325	42.66	0.74	61.3	
			6	2895	299	337	43.7	0.62	60.3	
			7	2396	315	341	44.62	0.51	59	
	1200	1.1	1	5691	179	327	31.65	1.63	65.5	123
			2	5314	227	356	37.22	1.41	64.9	
			3	4893	275	384	39.34	1.33	64.6	
			4	4409	320	409	41.5	1.21	63.3	
			5	3979	353	425	43.26	1.09	63.2	
			6	3308	390	440	44.3	0.91	62.2	
			7	2739	412	446	45.22	0.75	61	



**1. Performance chart      2. LT-FC Belt driven**

Impeller diameter (mm)	Fan speed r/min	Motor Power kw	Operating Point	Air volume m3/h	Static Pressure Pa	Total Pressure Pa	Fan efficiency %	Shaft Power kw	Sound dB(A)	Weight (kg)
280	1250	1.5	1	5928	194	354	32.25	1.81	68.4	128
			2	5535	246	386	37.82	1.57	67.8	
			3	5097	299	417	39.94	1.48	67.5	
			4	4592	348	444	42.1	1.35	66.2	
			5	4145	383	461	43.86	1.21	66.1	
			6	3446	423	477	44.9	1.02	65.1	
			7	2853	447	484	45.82	0.84	63.9	
	1400	2.2	1	6639	243	444	32.85	2.49	71.7	134
			2	6199	309	484	38.42	2.17	71.1	
			3	5709	373	522	40.54	2.04	70.8	
			4	5143	436	557	42.7	1.86	69.6	
			5	4642	480	578	44.46	1.68	69.5	
			6	3860	530	598	45.5	1.41	68.5	
			7	3195	560	607	46.42	1.16	67.2	
315	880	0.75	1	6178	178	272	40.57	1.15	65	151
			2	5742	203	284	42.49	1.07	64.1	
			3	5316	226	295	45.81	0.95	63.5	
			4	4747	250	305	47.48	0.85	61.9	
			5	4169	268	311	48.86	0.74	61.5	
			6	3340	289	316	44.87	0.65	60.2	
			7	2964	297	319	42.4	0.62	59.2	
	970	1.1	1	6810	216	330	40.97	1.52	67.1	155
			2	6329	247	345	42.89	1.41	66.1	
			3	5860	275	359	46.21	1.26	65.6	
			4	5232	303	370	47.88	1.12	64	
			5	4595	325	377	49.26	0.98	63.6	
			6	3682	351	384	45.27	0.87	62.3	
			7	3267	361	387	42.8	0.82	61.3	
	1080	1.5	1	7582	268	409	41.37	2.08	69.2	160
			2	7047	306	428	43.29	1.94	68.3	
			3	6524	341	445	46.61	1.73	67.7	
			4	5825	376	459	48.28	1.54	66.1	
			5	5116	404	468	49.66	1.34	65.7	
			6	4099	435	476	45.67	1.19	64.4	
			7	3637	448	480	43.2	1.12	63.4	
	1250	2.2	1	8776	359	548	42.17	3.17	73.1	166
			2	8156	410	573	44.09	2.94	72.1	
			3	7552	456	596	47.41	2.64	71.6	
			4	6742	504	615	49.08	2.35	70	
			5	5922	541	627	50.46	2.04	69.6	
			6	4744	583	638	46.47	1.81	68.3	
			7	4210	600	643	44	1.71	67.3	

**1. Performance chart      2. LT-FC Belt driven**

Impeller diameter (mm)	Fan speed r/min	Motor Power kw	Operating Point	Air volume m3/h	Static Pressure Pa	Total Pressure Pa	Fan efficiency %	Shaft Power kw	Sound dB(A)	Weight (kg)
315	1300	3	1	9408	413	630	41.27	3.99	74.7	171
			2	8743	471	658	43.19	3.7	73.8	
			3	8095	523	684	46.51	3.31	73.2	
			4	7228	579	707	48.18	2.95	71.6	
			5	6348	621	720	49.56	2.56	71.2	
			6	5086	670	733	45.57	2.27	69.9	
			7	4513	689	739	43.1	2.15	68.9	
	1420	4	1	10040	470	717	42.07	4.75	76.3	182
			2	9330	537	750	43.99	4.42	75.3	
			3	8639	596	779	47.31	3.95	74.7	
			4	7713	659	805	48.98	3.52	73.1	
			5	6774	707	820	50.36	3.06	72.7	
			6	5428	763	835	46.37	2.72	71.4	
			7	4816	784	841	43.9	2.56	70.5	
1510	5.5	1	10601	524	800	41.57	5.67	77.7	200	
		2	9852	598	836	43.49	5.26	76.7		
		3	9122	665	869	46.81	4.7	76.1		
		4	8145	734	897	48.48	4.19	74.6		
		5	7153	790	915	49.86	3.65	74.1		
		6	5731	850	931	45.87	3.23	72.8		
		7	5086	875	938	43.4	3.05	71.9		
400	730	1.5	1	10494	157	301	41.77	2.1	69.4	180
			2	9753	190	315	43.69	1.95	68.4	
			3	9030	221	328	47.01	1.75	67.8	
			4	8062	253	338	48.68	1.55	66.3	
			5	7081	279	345	50.06	1.36	65.9	
			6	5673	309	351	46.07	1.2	64.6	
			7	5034	321	354	43.6	1.14	63.6	
	820	2.2	1	11788	198	380	41.77	2.98	72.3	186
			2	10955	241	398	43.69	2.77	71.3	
			3	10143	278	413	47.01	2.48	70.7	
			4	9056	320	427	48.68	2.21	69.2	
			5	7954	352	435	50.06	1.92	68.8	
			6	6373	390	443	46.07	1.7	67.5	
			7	5655	404	446	43.6	1.61	66.5	
960	3	1	13801	272	521	42.17	4.74	74.4	191	
		2	12826	330	545	44.09	4.4	73.4		
		3	11875	381	566	47.41	3.94	72.8		
		4	10603	438	585	49.08	3.51	71.3		
		5	9312	482	596	50.46	3.06	70.9		
		6	7461	534	607	46.47	2.71	69.6		
		7	6620	554	611	44	2.55	68.6		

**1. Performance chart 2. LT-FC Belt driven**

Impeller diameter (mm)	Fan speed r/min	Motor Power kw	Operating Point	Air volume m3/h	Static Pressure Pa	Total Pressure Pa	Fan efficiency %	Shaft Power kw	Sound dB(A)	Weight (kg)
400	1040	4	1	14951	319	612	42.17	6.03	76.3	202
			2	13895	387	640	44.09	5.6	75.3	
			3	12865	448	665	47.41	5.01	74.7	
			4	11486	513	686	49.08	4.46	73.2	
			5	10088	567	700	50.46	3.89	72.7	
			6	8083	626	712	46.47	3.44	71.5	
			7	7172	651	718	44	3.25	70.5	
	1120	5.5	1	16101	369	709	42.57	7.45	78	220
			2	14963	449	742	44.49	6.93	77	
			3	13854	520	771	47.81	6.21	76.4	
			4	12370	596	796	49.48	5.53	74.9	
			5	10864	656	811	50.86	4.81	74.5	
			6	8704	727	826	46.87	4.26	73.2	
			7	7724	754	832	44.4	4.02	72.2	
	1250	7.5	1	17970	461	884	42.57	10.37	79.6	233
			2	16700	559	924	44.49	9.63	78.6	
			3	15463	647	960	47.81	8.62	78.1	
			4	13806	742	992	49.48	7.69	76.5	
			5	12125	818	1011	50.86	6.7	76.1	
			6	9715	904	1028	46.87	5.92	74.8	
			7	8620	940	1037	44.4	5.59	73.8	
	1350	11	1	19407	538	1031	42.57	13.06	81.3	279
			2	18036	652	1078	44.49	12.14	80.3	
			3	16700	755	1120	47.81	10.87	79.7	
			4	14910	866	1157	49.48	9.68	78.2	
			5	13095	954	1179	50.86	8.43	77.8	
			6	10492	1055	1199	46.87	7.46	76.5	
			7	9310	1095	1209	44.4	7.04	75.5	
450	610	1.5	1	12486	168	266	42.57	2.17	70	198
			2	11604	193	278	44.49	2.01	69	
			3	10744	216	289	47.81	1.8	68.4	
			4	9593	241	299	49.48	1.61	66.9	
			5	8425	260	305	50.86	1.4	66.5	
			6	6750	281	310	46.87	1.24	65.2	
			7	5990	289	312	44.4	1.17	64.2	
	680	2.2	1	13919	209	331	42.97	2.98	72.4	205
			2	12935	240	346	44.89	2.77	71.4	
			3	11977	269	360	48.21	2.48	70.8	
			4	10693	299	371	49.88	2.21	69.2	
			5	9392	323	379	51.26	1.93	68.8	
			6	7525	349	385	47.27	1.7	67.5	
			7	6677	360	388	44.8	1.61	66.6	

**1. Performance chart 2. LT-FC Belt driven**

Impeller diameter (mm)	Fan speed r/min	Motor Power kw	Operating Point	Air volume m3/h	Static Pressure Pa	Total Pressure Pa	Fan efficiency %	Shaft Power kw	Sound dB(A)	Weight (kg)
450	750	3	1	15352	254	403	42.97	4	74.5	210
			2	14267	292	421	44.89	3.72	73.5	
			3	13210	328	438	48.21	3.33	72.9	
			4	11794	364	452	49.88	2.97	71.4	
			5	10359	393	461	51.26	2.59	71	
			6	8299	426	469	47.27	2.29	69.7	
			7	7364	438	472	44.8	2.16	68.7	
	820	4	1	16784	303	481	43.37	5.17	76.4	221
			2	15598	349	503	45.29	4.81	75.5	
			3	14443	391	523	48.61	4.32	74.9	
			4	12895	435	540	50.28	3.85	73.3	
			5	11325	470	551	51.66	3.36	72.9	
			6	9074	508	560	47.67	2.96	71.6	
			7	8052	524	565	45.2	2.8	70.6	
	900	5.5	1	18422	366	580	43.77	6.78	78.5	239
			2	17120	421	606	45.69	6.31	77.5	
			3	15852	471	630	49.01	5.66	76.9	
			4	14153	525	651	50.68	5.05	75.3	
			5	12430	565	663	52.06	4.4	74.9	
			6	9959	612	675	48.07	3.88	73.6	
			7	8837	631	680	45.6	3.66	72.7	
	970	7.5	1	19855	424	673	43.37	8.56	80.1	252
			2	18452	489	704	45.29	7.97	79.1	
			3	17084	548	732	48.61	7.15	78.5	
			4	15254	609	756	50.28	6.37	77	
			5	13397	657	770	51.66	5.55	76.5	
			6	10734	711	784	47.67	4.9	75.3	
			7	9525	733	790	45.2	4.62	74.3	
1120	11	1	22925	566	898	43.37	13.19	81.4	298	
		2	21305	652	939	45.29	12.27	80.4		
		3	19726	730	976	48.61	11	79.8		
		4	17612	812	1008	50.28	9.81	78.3		
		5	15469	876	1027	51.66	8.54	77.9		
		6	12393	948	1045	47.67	7.55	76.6		
		7	10997	977	1053	45.2	7.12	75.6		
1240	15	1	25381	694	1101	43.77	17.73	83	311	
		2	23588	800	1151	45.69	16.51	82		
		3	21840	895	1196	49.01	14.8	81.4		
		4	19500	995	1235	50.68	13.2	79.9		
		5	17126	1074	1259	52.06	11.5	79.5		
		6	13721	1162	1281	48.07	10.16	78.2		
		7	12176	1197	1291	45.6	9.58	77.2		



**1. Performance chart      2. LT-FC Belt driven**

Impeller diameter (mm)	Fan speed r/min	Motor Power kw	Operating Point	Air volume m3/h	Static Pressure Pa	Total Pressure Pa	Fan efficiency %	Shaft Power kw	Sound dB(A)	Weight (kg)
500	580	2.2	1	16285	198	297	43.77	3.07	73.9	251
			2	15135	225	311	45.69	2.86	72.9	
			3	14013	250	323	49.01	2.57	72.3	
			4	12511	276	334	50.68	2.29	70.8	
			5	10989	295	340	52.06	1.99	70.4	
			6	8804	317	346	48.07	1.76	69.1	
			7	7812	326	349	45.6	1.66	68.1	
	690	3	1	19374	281	421	44.37	5.11	75.9	256
			2	18005	319	440	46.29	4.75	74.9	
			3	16671	353	457	49.61	4.27	74.3	
			4	14884	389	472	51.28	3.81	72.8	
			5	13073	417	481	52.66	3.32	72.4	
			6	10474	449	490	48.67	2.93	71.1	
			7	9294	462	494	46.2	2.76	70.1	
	740	4	1	20778	323	484	44.97	6.21	77.4	267
			2	19310	367	506	46.89	5.79	76.4	
			3	17879	407	526	50.21	5.2	75.8	
			4	15963	448	543	51.88	4.64	74.3	
			5	14020	480	553	53.26	4.04	73.9	
			6	11232	516	563	49.27	3.57	72.6	
			7	9967	531	568	46.8	3.36	71.6	
	810	5.5	1	22743	387	580	44.97	8.15	79.4	285
			2	21136	439	606	46.89	7.59	78.4	
			3	19570	487	630	50.21	6.82	77.8	
			4	17473	537	651	51.88	6.09	76.3	
			5	15346	575	663	53.26	5.31	75.8	
			6	12295	619	675	49.27	4.68	74.6	
			7	10910	636	680	46.8	4.4	73.6	
870	7.5	1	24428	446	669	45.57	9.96	80.9	298	
		2	22702	506	699	47.49	9.28	79.9		
		3	21019	562	727	50.81	8.35	79.4		
		4	18767	619	751	52.48	7.46	77.8		
		5	16483	663	765	53.86	6.5	77.4		
		6	13206	713	778	49.87	5.72	76.1		
		7	11718	734	785	47.4	5.39	75.1		
970	11	1	27236	554	831	45.57	13.8	82.4	344	
		2	25311	630	869	47.49	12.87	81.4		
		3	23435	699	904	50.81	11.58	80.8		
		4	20924	769	933	52.48	10.33	79.3		
		5	18378	825	951	53.86	9.01	78.8		
		6	14724	887	968	49.87	7.94	77.5		
		7	13065	911	975	47.4	7.47	76.6		
1050	15	1	29482	649	974	46.17	17.28	85	357	
		2	27399	739	1019	48.09	16.13	84		
		3	25368	819	1059	51.41	14.52	83.4		
		4	22650	901	1093	53.08	12.96	81.9		
		5	19893	966	1114	54.46	11.3	81.5		
		6	15938	1039	1134	50.47	9.95	80.2		
		7	14143	1068	1143	48	9.36	79.2		

**1. Performance chart      2. LT-FC Belt driven**

Impeller diameter (mm)	Fan speed r/min	Motor Power kw	Operating Point	Air volume m3/h	Static Pressure Pa	Total Pressure Pa	Fan efficiency %	Shaft Power kw	Sound dB(A)	Weight (kg)
560	530	3	1	20400	169	278	36.15	4.36	73.5	295
			2	19315	195	289	41.72	3.72	72.5	
			3	18053	217	301	43.84	3.44	72	
			4	16060	246	321	46	3.11	70.7	
			5	14284	280	336	47.76	2.79	70.6	
			6	12570	295	345	48.8	2.47	69.8	
			7	10562	325	348	49.72	2.05	68.6	
	620	4	1	23864	231	380	36.65	6.87	75.6	306
			2	22595	266	395	42.22	5.87	74.7	
			3	21118	297	412	44.34	5.45	74.1	
			4	18787	336	439	46.5	4.93	72.8	
			5	16710	383	460	48.26	4.42	72.7	
			6	14705	403	472	49.3	3.91	71.9	
			7	12355	444	477	50.22	3.26	70.7	
	680	5.5	1	26174	277	458	37.15	8.96	77.5	324
			2	24782	320	475	42.72	7.65	76.6	
			3	23162	358	495	44.84	7.1	76.1	
			4	20605	405	528	47	6.43	74.8	
			5	18327	460	553	48.76	5.77	74.7	
			6	16128	485	568	49.8	5.11	73.9	
			7	13551	534	573	50.72	4.25	72.7	
	730	7.5	1	28098	320	527	37.65	10.92	79.3	337
			2	26604	369	548	43.22	9.37	78.4	
			3	24865	412	571	45.34	8.7	77.9	
			4	22120	466	609	47.5	7.88	76.6	
			5	19674	531	638	49.26	7.08	76.5	
			6	17313	559	655	50.3	6.26	75.7	
			7	14547	616	661	51.22	5.21	74.4	
830	11	1	31947	413	682	38.15	15.86	81	383	
		2	30248	477	708	43.72	13.61	80		
		3	28271	533	738	45.84	12.64	79.5		
		4	25150	603	787	48	11.45	78.2		
		5	22369	686	824	49.76	10.29	78.1		
		6	19685	722	847	50.8	9.12	77.3		
		7	16540	796	854	51.72	7.59	76.1		
880	15	1	33872	465	766	38.65	18.65	82.5	396	
		2	32070	536	796	44.22	16.04	81.6		
		3	29974	599	830	46.34	14.91	81		
		4	26665	678	885	48.5	13.52	79.8		
		5	23717	771	927	50.26	12.15	79.6		
		6	20871	812	952	51.3	10.76	78.8		
		7	17536	895	960	52.22	8.95	77.6		

**1. Performance chart 2. LT-FC Belt driven**

Impeller diameter (mm)	Fan speed r/min	Motor Power kw	Operating Point	Air volume m3/h	Static Pressure Pa	Total Pressure Pa	Fan efficiency %	Shaft Power kw	Sound dB(A)	Weight (kg)
560	980	18.5	1	37721	576	950	39.15	25.43	83.9	437
			2	35715	665	988	44.72	21.92	83	
			3	33380	743	1029	46.84	20.37	82.5	
			4	29696	841	1097	49	18.47	81.2	
			5	26412	956	1149	50.76	16.61	81.1	
			6	23243	1007	1180	51.8	14.71	80.3	
			7	19529	1110	1191	52.72	12.26	79.1	
	1050	22	1	40415	661	1091	39.65	30.89	85.3	455
			2	38266	763	1134	45.22	26.66	84.3	
			3	35765	853	1181	47.34	24.78	83.8	
			4	31817	965	1260	49.5	22.5	82.5	
			5	28298	1098	1319	51.26	20.23	82.4	
			6	24903	1156	1355	52.3	17.92	81.6	
			7	20924	1274	1367	53.22	14.93	80.4	
	1160	30	1	44649	807	1331	40.15	41.12	86.4	515
			2	42275	932	1384	45.72	35.55	85.4	
			3	39512	1041	1442	47.84	33.08	84.9	
			4	35150	1178	1537	50	30.01	83.6	
			5	31263	1340	1610	51.76	27.01	83.5	
			6	27512	1411	1654	52.8	23.94	82.7	
			7	23116	1555	1669	53.72	19.95	81.5	
630	500	4	1	27052	154	277	37.66	5.53	72.8	358
			2	25249	194	301	42.87	4.92	72.5	
			3	23598	229	325	45.9	4.64	70.9	
			4	21645	269	348	49.21	4.25	70.8	
			5	19971	293	360	51.19	3.9	68.5	
			6	17605	315	367	50.12	3.58	67.5	
			7	15263	333	372	50.88	3.1	67.1	
	576	5.5	1	31164	204	368	38.16	8.35	74.9	376
			2	29087	257	400	43.37	7.45	74.6	
			3	27185	303	431	46.4	7.01	73.1	
			4	24935	357	462	49.71	6.44	72.9	
			5	23007	389	478	51.69	5.91	70.7	
			6	20281	418	488	50.62	5.43	69.7	
			7	17584	442	494	51.38	4.7	69.3	
	630	7.5	1	34086	244	440	38.66	10.78	77.2	389
			2	31813	308	479	43.87	9.65	77	
			3	29733	363	516	46.9	9.09	75.4	
			4	27273	427	553	50.21	8.34	75.3	
			5	25164	465	572	52.19	7.66	73	
			6	22182	501	583	51.12	7.03	72	
			7	19232	528	591	51.88	6.09	71.6	

**1. Performance chart 2. LT-FC Belt driven**

Impeller diameter (mm)	Fan speed r/min	Motor Power kw	Operating Point	Air volume m3/h	Static Pressure Pa	Total Pressure Pa	Fan efficiency %	Shaft Power kw	Sound dB(A)	Weight (kg)
630	710	11	1	38414	310	559	39.16	15.23	79	435
			2	35853	391	608	44.37	13.65	78.7	
			3	33509	461	655	47.4	12.86	77.2	
			4	30736	543	702	50.71	11.82	77	
			5	28359	591	726	52.69	10.85	74.7	
			6	24999	636	741	51.62	9.97	73.7	
			7	21674	671	750	52.38	8.62	73.4	
	760	15	1	41119	355	641	39.66	18.46	80.3	448
			2	38378	448	696	44.87	16.54	80	
			3	35869	528	750	47.9	15.6	78.5	
			4	32901	622	804	51.21	14.35	78.4	
			5	30356	677	832	53.19	13.19	76.1	
			6	26759	728	849	52.12	12.11	75.1	
			7	23201	769	860	52.88	10.48	74.7	
	840	18.5	1	45447	434	783	40.66	24.31	83.3	489
			2	42418	547	851	45.87	21.86	83	
			3	39644	645	917	48.9	20.65	81.5	
			4	36364	760	982	52.21	19	81.3	
			5	33551	827	1016	54.19	17.47	79	
			6	29576	890	1037	53.12	16.04	78	
			7	25643	939	1050	53.88	13.88	77.7	
890	22	1	48153	487	879	41.16	28.57	84.7	507	
		2	44943	614	955	46.37	25.71	84.4		
		3	42004	724	1029	49.4	24.3	82.8		
		4	38529	853	1103	52.71	22.4	82.7		
		5	35548	928	1141	54.69	20.6	80.4		
		6	31337	999	1164	53.62	18.9	79.4		
		7	27169	1054	1179	54.38	16.36	79		
960	30	1	51940	567	1023	39.66	37.22	85.9	567	
		2	48478	715	1111	44.87	33.34	85.6		
		3	45308	843	1197	47.9	31.45	84.1		
		4	41559	992	1283	51.21	28.92	83.9		
		5	38344	1080	1327	53.19	26.57	81.7		
		6	33801	1162	1355	52.12	24.41	80.7		
		7	29306	1227	1371	52.88	21.11	80.3		
710	480	5.5	1	35321	208	359	38.49	9.15	75	439
			2	33434	244	382	41.86	8.48	74.6	
			3	31341	286	405	46.95	7.51	73.1	
			4	28719	323	423	49.66	6.8	72	
			5	25559	357	435	50.55	6.11	70.5	
			6	22286	381	441	54.06	5.05	69.3	
			7	19206	401	445	50.34	4.72	68.2	



**1. Performance chart      2. LT-FC Belt driven**

Impeller diameter (mm)	Fan speed r/min	Motor Power kw	Operating Point	Air volume m3/h	Static Pressure Pa	Total Pressure Pa	Fan efficiency %	Shaft Power kw	Sound dB(A)	Weight (kg)
710	520	7.5	1	38264	244	421	38.89	11.51	76.8	452
			2	36220	286	448	42.26	10.67	76.3	
			3	33953	336	475	47.35	9.46	74.9	
			4	31112	379	496	50.06	8.56	73.8	
			5	27689	419	511	50.95	7.71	72.3	
			6	24143	448	518	54.46	6.38	71.1	
			7	20807	470	522	50.74	5.95	70	
	580	11	1	42679	304	524	39.29	15.81	78.8	498
			2	40399	356	557	42.66	14.65	78.4	
			3	37871	418	591	47.75	13.02	76.9	
			4	34702	472	617	50.46	11.79	75.8	
			5	30884	521	635	51.35	10.61	74.3	
			6	26929	557	644	54.86	8.78	73.1	
			7	23207	585	650	51.14	8.19	72	
	650	15	1	47830	382	658	39.29	22.25	80.6	511
			2	45275	447	700	42.66	20.64	80.2	
			3	42441	525	742	47.75	18.32	78.7	
			4	38890	593	775	50.46	16.59	77.7	
			5	34611	654	798	51.35	14.94	76.2	
			6	30179	699	809	54.86	12.36	75	
			7	26008	735	816	51.14	11.53	73.9	
	690	18.5	1	50773	430	741	39.69	26.33	82	552
			2	48061	504	788	43.06	24.43	81.6	
			3	45053	592	836	48.15	21.73	80.1	
			4	41284	668	873	50.86	19.68	79	
			5	36741	737	899	51.75	17.73	77.5	
			6	32036	788	911	55.26	14.67	76.4	
			7	27609	828	920	51.54	13.69	75.2	
720	22	1	52981	468	807	40.09	29.62	83.6	570	
		2	50151	548	859	43.46	27.53	83.2		
		3	47012	644	910	48.55	24.48	81.7		
		4	43078	727	951	51.26	22.2	80.7		
		5	38338	803	979	52.15	19.99	79.2		
		6	33429	858	992	55.66	16.55	78		
		7	28809	902	1001	51.94	15.42	76.8		
790	30	1	58132	564	972	40.49	38.76	84.8	630	
		2	55026	660	1034	43.86	36.03	84.4		
		3	51582	776	1096	48.95	32.08	83		
		4	47267	876	1145	51.66	29.1	81.9		
		5	42065	966	1179	52.55	26.22	80.4		
		6	36679	1033	1195	56.06	21.72	79.2		
		7	31610	1085	1205	52.34	20.22	78.1		

**1. Performance chart      2. LT-FC Belt driven**

Impeller diameter (mm)	Fan speed r/min	Motor Power kw	Operating Point	Air volume m3/h	Static Pressure Pa	Total Pressure Pa	Fan efficiency %	Shaft Power kw	Sound dB(A)	Weight (kg)
710	850	37	1	62547	653	1125	40.89	47.8	86	675
			2	59206	764	1197	44.26	44.48	85.6	
			3	55500	898	1269	49.35	39.64	84.1	
			4	50857	1014	1325	52.06	35.96	83	
			5	45260	1119	1365	52.95	32.41	81.5	
			6	39464	1196	1383	56.46	26.85	80.3	
			7	34011	1257	1395	52.74	24.99	79.2	
800	430	7.5	1	41277	210	335	35.5	10.82	75.6	524
			2	38982	265	377	40.5	10.08	73.7	
			3	36686	328	408	46.84	8.88	72.8	
			4	34391	345	425	48.45	8.38	71.9	
			5	32095	362	436	50.06	7.76	70.5	
			6	29800	375	441	51.61	7.07	70.9	
			7	27505	388	443	53.16	6.37	70	
	480	11	1	46077	262	418	36	14.86	78.2	570
			2	43515	330	469	41	13.83	76.3	
			3	40952	408	509	47.34	12.23	75.4	
			4	38390	429	530	48.95	11.55	74.5	
			5	35828	451	543	50.56	10.69	73.1	
			6	33265	467	549	52.11	9.74	73.5	
			7	30703	484	552	53.66	8.77	72.6	
520	15	1	49917	308	490	36.5	18.61	79.6	582	
		2	47141	387	551	41.5	17.39	77.7		
		3	44365	479	597	47.84	15.38	76.8		
		4	41589	504	622	49.45	14.53	75.9		
		5	38813	529	637	51.06	13.45	74.5		
		6	36037	548	644	52.61	12.25	74.9		
		7	33261	568	648	54.16	11.05	74		
570	18.5	1	54716	370	589	37	24.19	81.3	624	
		2	51674	465	662	42	22.62	79.4		
		3	48631	576	717	48.34	20.04	78.5		
		4	45588	606	747	49.95	18.94	77.6		
		5	42545	635	765	51.56	17.53	76.2		
		6	39502	659	774	53.11	15.99	76.6		
		7	36460	682	779	54.66	14.43	75.7		
610	22	1	58556	423	675	37.5	29.28	83.3	642	
		2	55300	532	758	42.5	27.4	81.4		
		3	52043	660	821	48.84	24.3	80.5		
		4	48787	694	856	50.45	22.99	79.6		
		5	45531	728	877	52.06	21.31	78.2		
		6	42274	754	887	53.61	19.43	78.6		
		7	39018	781	892	55.16	17.53	77.7		

**1. Performance chart      2. LT-FC Belt driven**

Impeller diameter (mm)	Fan speed r/min	Motor Power kw	Operating Point	Air volume m3/h	Static Pressure Pa	Total Pressure Pa	Fan efficiency %	Shaft Power kw	Sound dB(A)	Weight (kg)
800	660	30	1	63356	496	790	38	36.59	84.8	702
			2	59833	623	888	43	34.32	82.9	
			3	56309	772	961	49.34	30.46	82	
			4	52786	812	1002	50.95	28.84	81.1	
			5	49263	852	1026	52.56	26.71	79.7	
			6	45740	883	1038	54.11	24.37	80.1	
			7	42216	915	1044	55.66	22	79.2	
	720	37	1	69116	590	940	38.5	46.88	86.1	747
			2	65272	742	1056	43.5	44.01	84.3	
			3	61428	919	1144	49.84	39.17	83.3	
			4	57585	966	1192	51.45	37.06	82.5	
			5	53741	1014	1221	53.06	34.35	81.1	
			6	49898	1051	1235	54.61	31.35	81.5	
			7	46054	1088	1243	56.16	28.31	80.6	
	770	45	1	73915	675	1075	39	56.59	87.8	782
			2	69805	848	1208	44	53.24	85.9	
			3	65694	1051	1309	50.34	47.45	85	
			4	61584	1105	1364	51.95	44.92	84.1	
			5	57473	1159	1397	53.56	41.64	82.7	
			6	53363	1202	1413	55.11	38.01	83.1	
			7	49252	1245	1421	56.66	34.31	82.2	
850	370	7.5	1	42602	176	280	34.5	9.6	81.5	696
			2	40233	221	315	39.5	8.91	79.6	
			3	37864	274	341	45.84	7.82	78.7	
			4	35495	288	355	47.45	7.38	77.8	
			5	33126	302	364	49.06	6.83	76.4	
			6	30756	313	368	50.61	6.21	76.8	
			7	28387	324	371	52.16	5.61	75.9	
	450	11	1	51813	260	415	35	17.07	84	714
			2	48932	327	466	40	15.83	82.1	
			3	46051	405	505	46.34	13.94	81.2	
			4	43169	426	526	47.95	13.15	80.3	
			5	40288	447	539	49.56	12.17	78.9	
			6	37407	464	545	51.11	11.08	79.3	
			7	34525	480	548	52.66	9.98	78.4	
	480	15	1	55268	296	472	35.5	20.41	85.4	727
			2	52194	372	530	40.5	18.97	83.5	
			3	49121	461	574	46.84	16.72	82.6	
			4	46047	485	598	48.45	15.79	81.7	
			5	42974	509	613	50.06	14.62	80.3	
			6	39900	527	620	51.61	13.31	80.7	
			7	36827	546	624	53.16	12.01	79.8	

**1. Performance chart      2. LT-FC Belt driven**

Impeller diameter (mm)	Fan speed r/min	Motor Power kw	Operating Point	Air volume m3/h	Static Pressure Pa	Total Pressure Pa	Fan efficiency %	Shaft Power kw	Sound dB(A)	Weight (kg)
850	520	18.5	1	59873	347	554	36	25.59	87.2	768
			2	56544	437	622	41	23.83	85.3	
			3	53214	541	674	47.34	21.05	84.4	
			4	49884	569	702	48.95	19.87	83.5	
			5	46555	597	719	50.56	18.39	82.1	
			6	43225	619	727	52.11	16.75	82.5	
			7	39896	641	732	53.66	15.12	81.6	
	560	22	1	64479	403	642	36.5	31.5	89.1	786
			2	60893	506	721	41.5	29.39	87.3	
			3	57307	627	781	47.84	25.99	86.3	
			4	53722	660	814	49.45	24.56	85.5	
			5	50136	692	834	51.06	22.75	84.1	
			6	46550	718	844	52.61	20.74	84.5	
			7	42965	743	849	54.16	18.71	83.5	
	610	30	1	70236	478	762	37	40.18	90.6	846
			2	66330	601	856	42	37.55	88.7	
			3	62424	745	927	48.34	33.25	87.8	
			4	58518	783	966	49.95	31.44	86.9	
			5	54612	821	990	51.56	29.13	85.5	
			6	50707	852	1001	53.11	26.55	85.9	
			7	46801	882	1007	54.66	23.95	85	
650	37	1	74842	543	865	37.5	47.95	92	891	
		2	70680	682	972	42.5	44.9	90.1		
		3	66518	845	1053	48.84	39.84	89.2		
		4	62356	889	1097	50.45	37.66	88.3		
		5	58194	933	1124	52.06	34.9	86.9		
		6	54032	967	1137	53.61	31.83	87.3		
		7	49870	1001	1143	55.16	28.71	86.4		
700	45	1	80599	629	1003	38	59.09	93.6	926	
		2	76117	791	1127	43	55.42	91.7		
		3	71634	980	1221	49.34	49.24	90.8		
		4	67152	1031	1272	50.95	46.57	89.9		
		5	62670	1082	1303	52.56	43.16	88.5		
		6	58188	1122	1318	54.11	39.37	88.9		
		7	53706	1161	1326	55.66	35.54	88		
900	390	11	1	53305	219	349	36	14.35	82.6	1002
			2	50340	275	392	41	13.37	80.8	
			3	47376	341	425	47.34	11.81	79.8	
			4	44412	359	443	48.95	11.16	79	
			5	41447	376	454	50.56	10.34	77.6	
			6	38483	390	459	52.11	9.42	78	
			7	35519	404	462	53.66	8.49	77.1	



**1. Performance chart      2. LT-FC Belt driven**

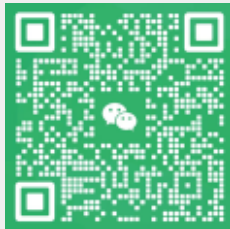
Impeller diameter (mm)	Fan speed r/min	Motor Power kw	Operating Point	Air volume m3/h	Static Pressure Pa	Total Pressure Pa	Fan efficiency %	Shaft Power kw	Sound dB(A)	Weight (kg)
900	440	15	1	60139	279	444	36.5	20.32	85.2	1015
			2	56794	351	499	41.5	18.97	83.4	
			3	53450	434	541	47.84	16.79	82.5	
			4	50106	457	564	49.45	15.87	81.6	
			5	46761	479	577	51.06	14.68	80.2	
			6	43417	497	584	52.61	13.39	80.6	
			7	40072	514	587	54.16	12.06	79.7	
	480	18.5	1	65606	332	529	37	26.06	87.1	1056
			2	61957	417	594	42	24.34	85.3	
			3	58309	517	644	48.34	21.58	84.4	
			4	54661	544	671	49.95	20.4	83.5	
			5	51012	570	687	51.56	18.88	82.1	
			6	47364	591	695	53.11	17.22	82.5	
			7	43715	612	699	54.66	15.53	81.6	
	520	22	1	71073	389	621	37.5	32.69	88.9	1074
			2	67120	490	697	42.5	30.58	87	
			3	63168	607	755	48.84	27.12	86.1	
			4	59216	638	787	50.45	25.66	85.2	
			5	55263	669	806	52.06	23.77	83.8	
			6	51311	694	815	53.61	21.67	84.2	
			7	47358	719	820	55.16	19.56	83.3	
	560	30	1	76540	452	720	38	40.28	91.3	1134
			2	72284	568	809	43	37.78	89.4	
			3	68027	703	876	49.34	33.55	88.5	
			4	63771	740	913	50.95	31.74	87.6	
			5	59514	776	935	52.56	29.41	86.2	
			6	55258	805	946	54.11	26.84	86.6	
			7	51001	833	952	55.66	24.23	85.7	
600	37	1	82007	518	826	38.5	48.87	93	1179	
		2	77447	652	928	43.5	45.89	91.2		
		3	72886	808	1006	49.84	40.87	90.3		
		4	68326	849	1048	51.45	38.66	89.4		
		5	63765	891	1073	53.06	35.82	88		
		6	59205	924	1086	54.61	32.7	88.4		
		7	54644	957	1092	56.16	29.51	87.5		
660	45	1	90208	627	1000	39	64.25	94.1	1214	
		2	85191	789	1123	44	60.4	92.2		
		3	80175	977	1217	50.34	53.84	91.3		
		4	75158	1028	1268	51.95	50.96	90.4		
		5	70142	1078	1299	53.56	47.25	89		
		6	65125	1118	1314	55.11	43.13	89.4		
		7	60109	1158	1322	56.66	38.96	88.5		

**1. Performance chart      2. LT-FC Belt driven**

Impeller diameter (mm)	Fan speed r/min	Motor Power kw	Operating Point	Air volume m3/h	Static Pressure Pa	Total Pressure Pa	Fan efficiency %	Shaft Power kw	Sound dB(A)	Weight (kg)
1000	370	15	1	69370	243	388	41	18.24	84.7	1152
			2	65513	306	436	46	17.25	82.8	
			3	61655	379	472	52.34	15.44	81.9	
			4	57797	399	492	53.95	14.64	81	
			5	53940	418	504	55.56	13.59	79.6	
			6	50082	434	510	57.11	12.42	80	
			7	46224	449	513	58.66	11.23	79.1	
	400	18.5	1	74995	284	453	41.5	22.74	85.8	1201
			2	70825	358	509	46.5	21.54	84	
			3	66654	443	552	52.84	19.34	83.1	
			4	62484	466	575	54.45	18.33	82.2	
			5	58313	489	589	56.06	17.02	80.8	
			6	54142	507	596	57.61	15.56	81.2	
			7	49972	525	599	59.16	14.05	80.3	
	480	30	1	89994	410	653	42.5	38.41	88.5	1295
			2	84990	515	734	47.5	36.48	86.6	
			3	79985	638	795	53.84	32.81	85.7	
			4	74980	671	828	55.45	31.1	84.8	
			5	69976	704	848	57.06	28.89	83.4	
			6	64971	730	858	58.61	26.42	83.8	
			7	59966	756	863	60.16	23.89	82.9	
	510	37	1	95619	462	737	43	45.52	90.3	1349
			2	90301	581	828	48	43.27	88.5	
			3	84984	720	897	54.34	38.97	87.6	
			4	79666	758	935	55.95	36.98	86.7	
			5	74349	795	957	57.56	34.34	85.3	
			6	69032	824	968	59.11	31.4	85.7	
			7	63714	853	974	60.66	28.42	84.8	
	560	45	1	104993	557	889	43.5	59.6	91.7	1391
			2	99154	701	998	48.5	56.68	89.8	
			3	93316	869	1081	54.84	51.1	88.9	
			4	87477	913	1127	56.45	48.51	88	
			5	81638	958	1154	58.06	45.07	86.6	
			6	75799	994	1168	59.61	41.26	87	
			7	69961	1029	1175	61.16	37.34	86.1	
	600	55	1	112493	640	1020	44	72.44	93.7	1495
			2	106237	805	1146	49	69.02	91.8	
			3	99981	997	1241	55.34	62.28	90.9	
			4	93725	1049	1294	56.95	59.16	90	
			5	87469	1100	1325	58.56	54.98	88.6	
			6	81214	1141	1340	60.11	50.29	89	
			7	74958	1181	1349	61.66	45.55	88.1	
	650	75	1	121867	751	1198	44	92.17	95.2	1645
			2	115090	944	1345	49	87.75	93.3	
			3	108313	1170	1457	55.34	79.21	92.4	
			4	101536	1231	1518	56.95	75.18	91.5	
			5	94759	1291	1555	58.56	69.9	90.1	
			6	87981	1339	1573	60.11	63.95	90.5	
			7	81204	1386	1583	61.66	57.91	89.6	



WhatsApp



Wechat

## CONTACT US

Tel : +86 18316499216

Alibaba: [gdlvpin.en.alibaba.com](http://gdlvpin.en.alibaba.com)

Email : [willxie@leapintech.com](mailto:willxie@leapintech.com)

Company Address : No. 5 Chuangye Road, The third industrial district, Xiabai, Luocun, Shishan town, Foshan, China