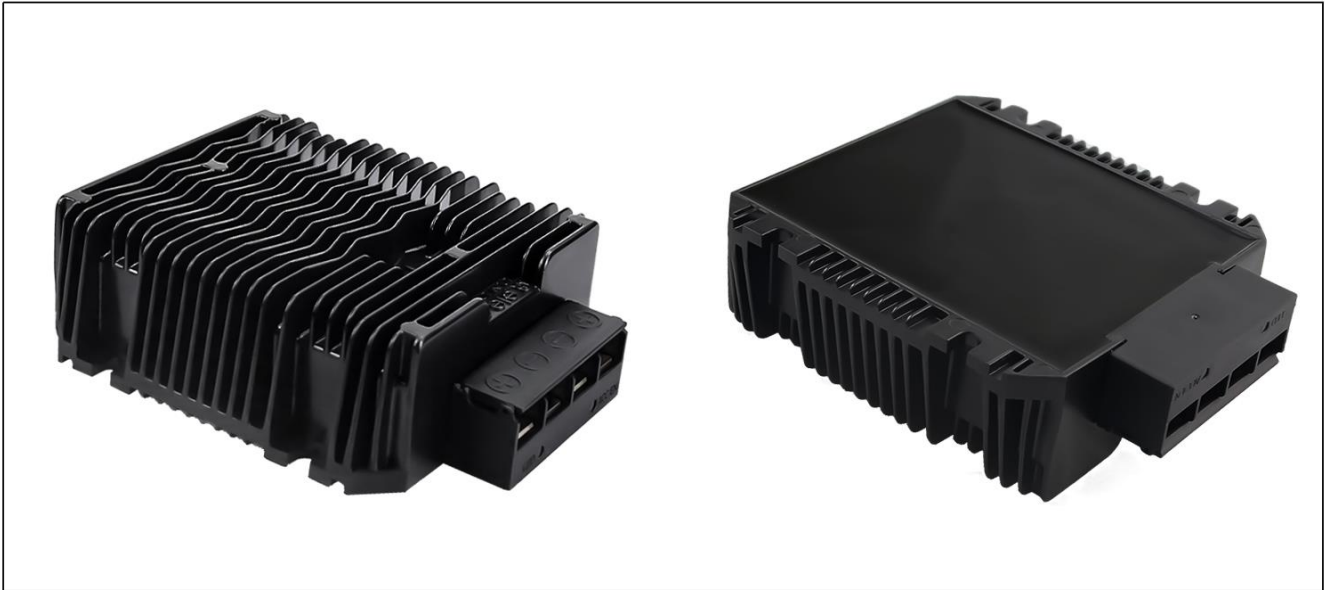




All lithium batteries on the market should be charged with a special charger for lithium batteries. If not, your battery will not be fully charged, or it will be damaged. The WG-12C2420M Lithium Battery Charger 24V 20A has optimized this charger for use with LiFePO4 and LiMn2O4. DC input voltage provides 10-16VDC, and rated output voltage is DC 24V 20A. Intelligent stages charging with CC, CV. For 24V LiFePO4, CV value is 29.2V, and 24V LiMn2O4 (6 series) is 25.2V. After reaching the CC value, the charger will down the charge current to 10% charge current, there will have no float charging, it is professional for lithium batteries charge.



Key Features

- * Design meeting by CE, RoHS, ISO9001-2015
- * Special design for LiFePO4 and LiMn2O4 batteries CC/CV Value.
- * Full charge current design and efficiency up to 95.5%
- * Provide LV, OT, OC(@CC model), and short circuit protection.
- * DC output terminals diversify, suit for any battery system.
- * Advanced switching mode power supply technology.
- * Waterproof, Dust-proof, Shockproof design suit for much environment.
- * Super capacitor 0V start charging.
- * Provide LED to show charging state, Compact and light weight, natural cooling.
- * 2 years limited warranty.

Model Naming Method

WG-12C2420M	WG: "szwengao" company name
	12 : Input DC rated voltage
	C : Charger
	24 : Battery voltage
	20 : Charging current
	M : Type of shell



szwengao

DC-DC Lithium Battery Charger Specification

Model: WG-12C2420M

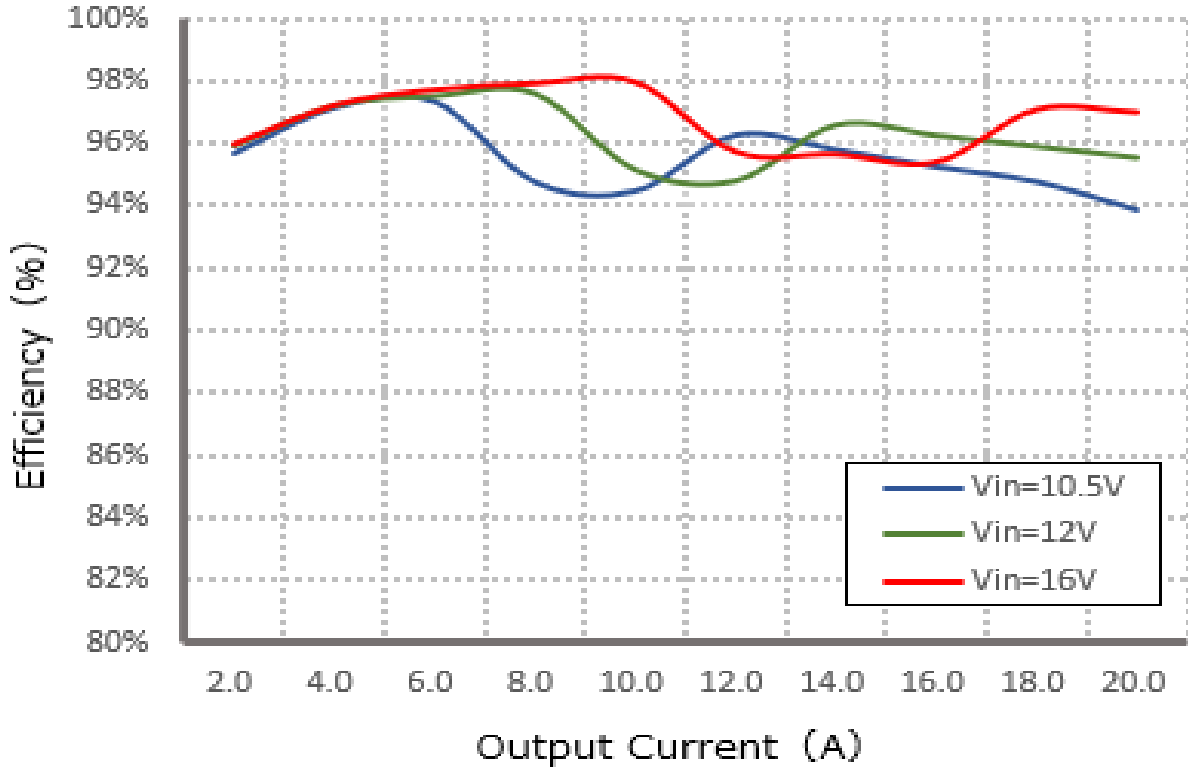
Specifications		
Model No.	WG-12C2420M	
Battery type	Lifepo4	
Max. output DC voltage	29.2V±0.2V	
Output current	20A±5%	
DC input rated voltage	12VDC (battery)	
DC input voltage range	10-16VDC	
DC input peak voltage	16VDC	
Input lowvoltage shutdown	10V±0.2V, @ green light	
Input lowvoltage recovery	11V±0.2V, @ red light	
Input fuse type	60A (Unit input positive has built-in fuses)	
Max. input current	64A (Vin=10V, Iout=20A)	
CC (constant current)	≤29.2V, 600W	
CV (constant voltage)	29.2V, 600W ↓	
No load current	32mA (Vin=12VDC)	
Ignition shutdown (ACC OFF)	720uA (Vin=12VDC)	
Battery leakage current	1.05mA	
Anti backflow function	YES	
Float charging	NO	
Ignition wire (ACC wire)	Optional (10-16VDC ON, 0-10VDC OFF)	
Power efficiency	95.5% @ (Vin=12VDC)	
Ripple & Noise	100-500mVp-p	
Working temperature	-40℃ ~ +55℃	
Waterproof level	IP65	
Dimension	140*120*42.5mm (5.51*4.72*1.67 inch)	
Weight	≤1.2kg	
Input cable type(suggest)	8AWG	If the wire length is greater than 1m, it is recommended to use a thicker wire diameter.
Output cable type(suggest)	14AWG	
Cooling	Natural	
Packing	Box	
LED light display	RED: battery is charging; GREEN: fully charged.	

Function & Safety			
Short circuit protection	YES (Automatic recovery)		
Input over voltage protection	YES @ 16V±0.5V (Automatic recovery)		
Output over voltage protection	YES @ 32V±0.5V (Automatic recovery)		
Output under voltage protection	YES @ 17V±0.5V (Automatic recovery)		
Over current protection	YES (Automatic recovery)		
Over temperature protection	YES (≤85℃ Automatic recovery)		
Anti electric strength	Input to shell	≥ 500V	Leakage current ≤ 1mA, 1min, no breakdown, no arcing
	Output to shell		
Insulation resistance	Input to Shell	≥10MΩ	Test voltage = 500V
	Output to Shell		
MTBF	≥ 200,000H	Vin=12V	

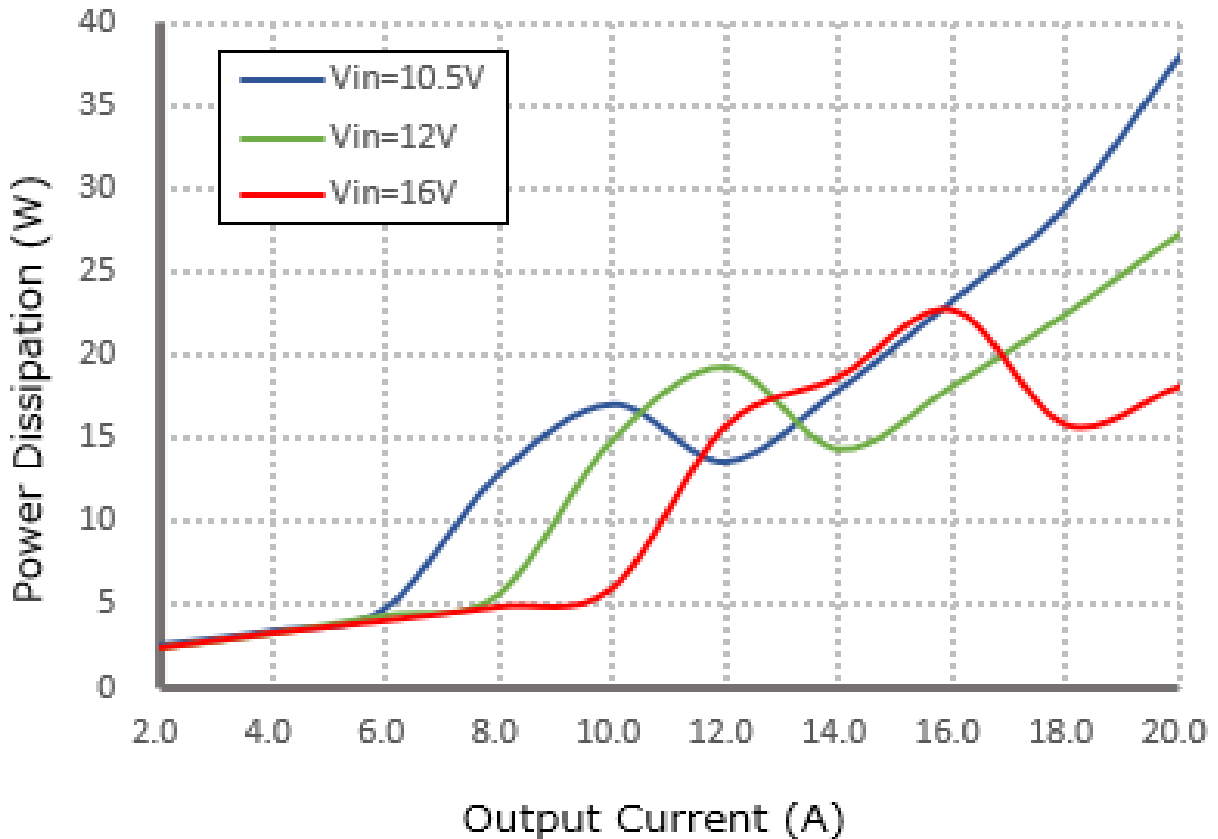


Characteristic Curves

Efficiency

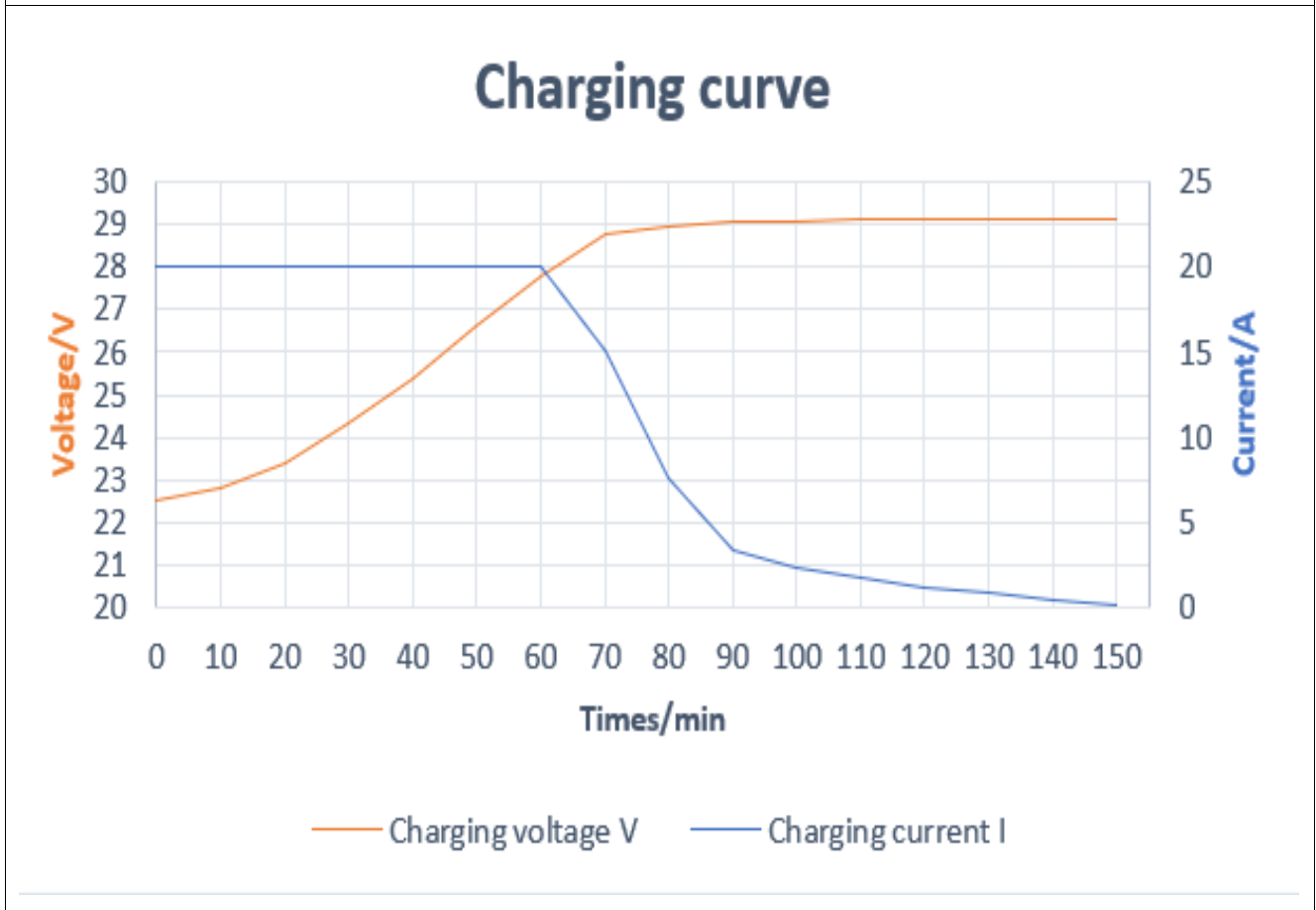


Power dissipation

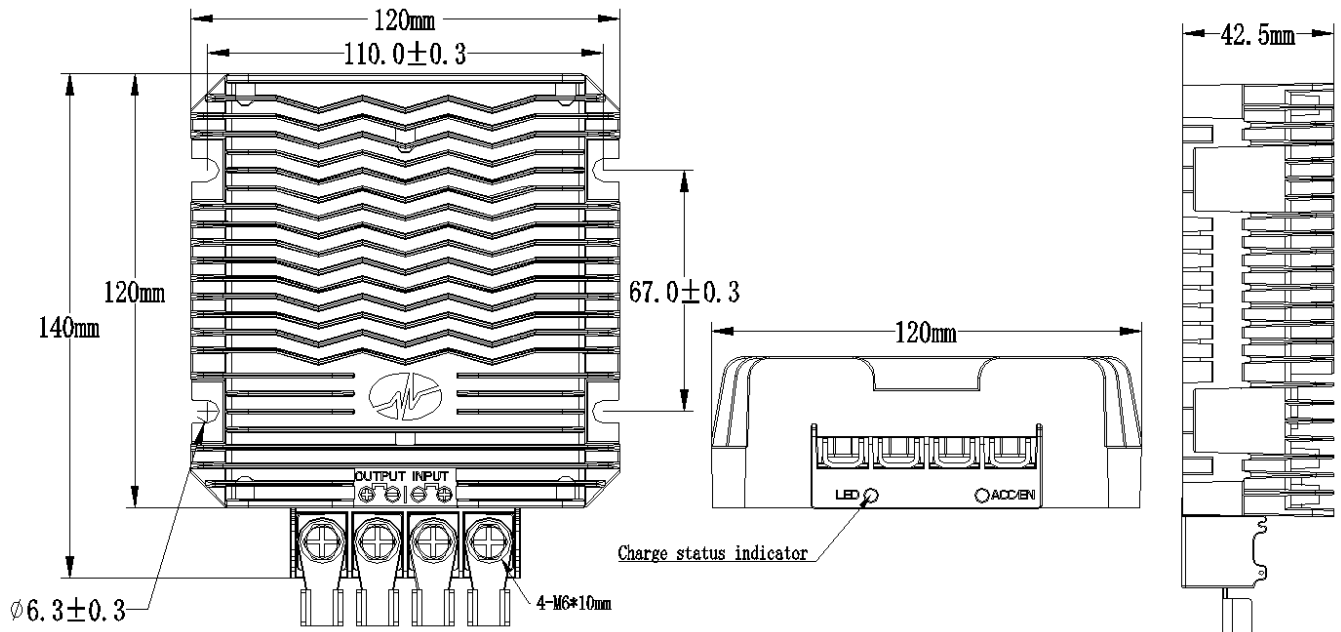




Charging curve (Battery type: 12V, 200AH)



Dimension(unit: mm)



Shenzhen Wengao Electronic Co., Ltd

A: 2/F A, Bldg.A2, Anle Ind. Hangcheng RD., Xixiang Street, Baoan Dist., Shenzhen, China 518102

T: +86 755 29418061

F: +86 755 29418061

E: info@wengaoelec.com

W: www.wengaoelec.com